

Bill of Materials Listing

TransArctic Canada Inc.

5/8/2009
Page 1 of 1

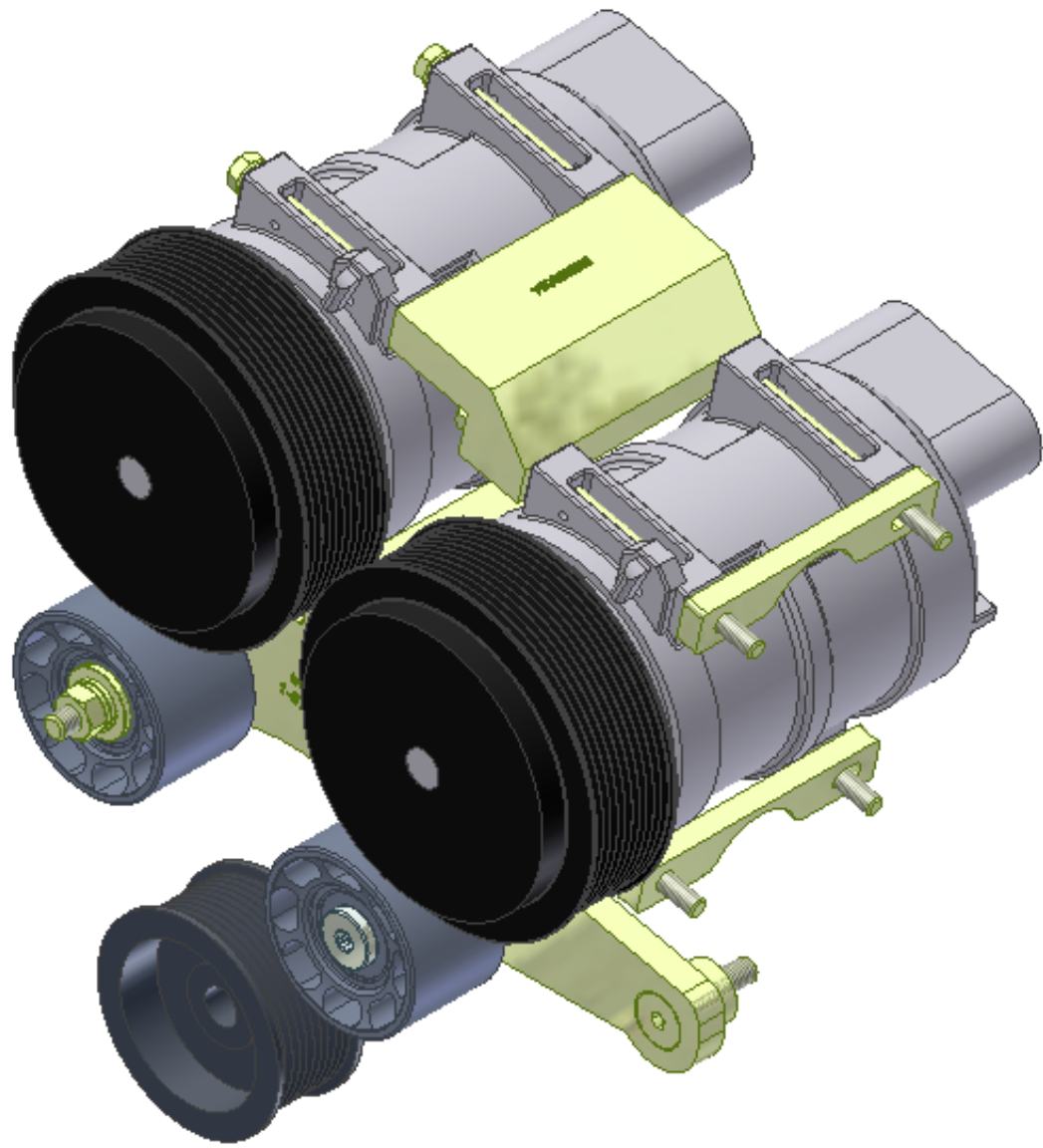
Product Number	Description	Date	Weight	Uof M	Yield
Line Component Prod#	Description	Bin Unit	Qty		
KMN82620	Mt. Kit, MF DT, FE300, 2 TM-21, 07-09		8/30/2004	12.21	0
10 BMN80034	Bkt, Comp, Upper, CE200		each	1	
20 BMN80035	Bkt, Comp, Lower, CE300		each	1	
30 BMN80066	Bkt, Idler, Slot PL, Weldmnt, FE300, '09		each	1	
50 PUL80074	Pulley, Idler, B/S, Wide, 76d (89102)		each	2	
52 BEL02667	Belt, 10gr, 2667mm (105")		each	1	
60 KBN82620	Bag Kit, Fasteners, KMN82620/2020		each	1	
61 BMS16022	Bkt, TM-16 Spacer Plate		each	2	
62 SCD14010	Spacer, Col, Drl, 14mm x25.4o x10.32i		each	1	
64 SCD20010	Spacer, Col, Drl, 20mm x 33.34o x 10.32i		each	1	
66 SLV17010	Sleeve, Pulley, 16.9o x 22.23mm x 10.32i		each	1	

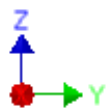
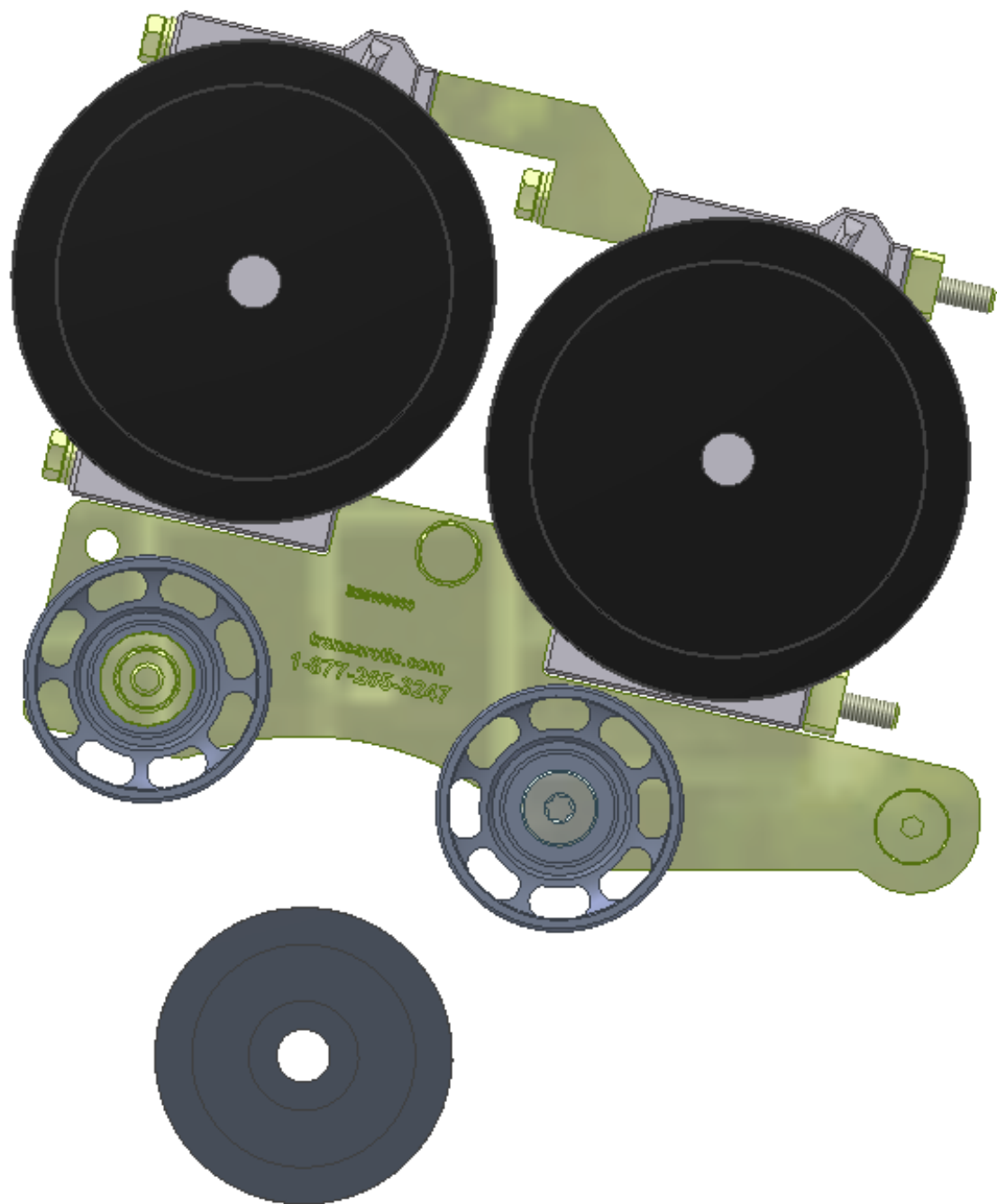
Bill of Materials Listing

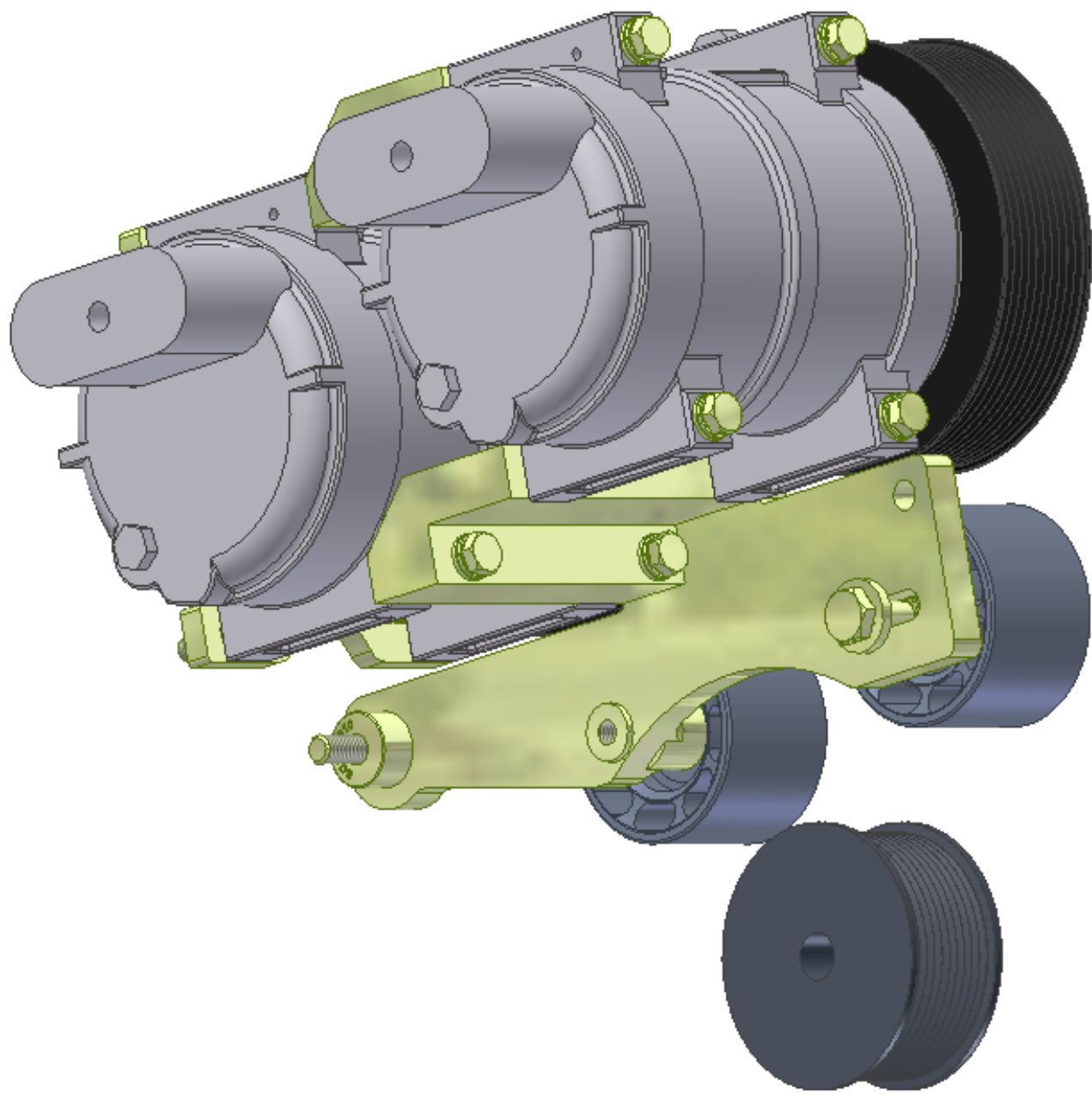
TransArctic Canada Inc.

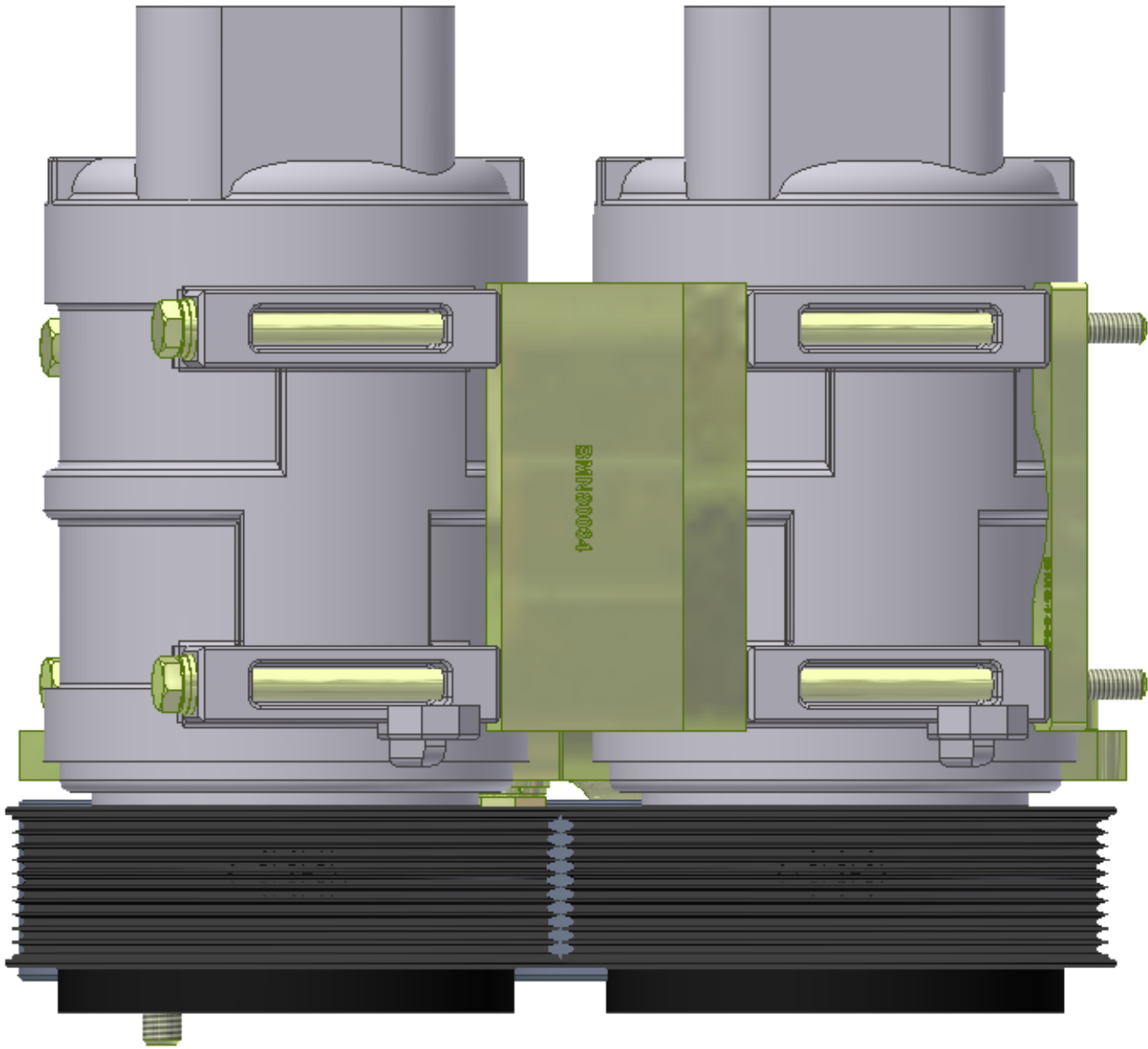
3/17/2009
Page 1 of 1

Product Number	Description	Date	Weight	Uof M	Yield
Line Component Prod#	Description	Bin Unit	Qty		
KBN82620	Bag Kit, Fasteners, KMN82620/2020		5/3/2007	1.25	0
10	BTC08100		Bolt, Hex, 8 x 1.25 x 100mm, 10.9, Plt	each	4
20	BTC08140		Bolt, Hex, 8 x 1.25 x 140mm, 10.9, Plt	each	4
21	BTC10080		Bolt, Hex, 10 x 1.5 x 80mm, 10.9, Plt,FT	each	1
30	BTC10040		Bolt, Hex, 10 x 1.5 x 40mm, 10.9, Plt,FT	each	1
40	CSF10046		Capscrew, FH, 10 x 1.5 x 45mm, 10.9,Plt	each	1
50	WFA08000		Washer, Flat, 8mm, 8.8, Plt	each	8
60	WLA08000		Washer, Lock, 8mm, 8.8, Plt	each	8
62	NTA10000		Nut, Hex, 10 x 1.5, 8.8, Plt	each	1
70	WFA10000		Washer, Flat, 10mm, 8.8, Plt	each	2
80	WLA10000		Washer, Lock, 10mm, 8.8, Plt	each	2
85	WFA10002		Washer, Flat, 10mm, Hvy, 8.8, Plt	each	1
90	BTS10001		Bolt, Shoulder, 10mm (89064)	each	1









BMH200041



TransArctic A/C Compressor Mount Installation Disclaimer

All compressor mounts should be installed by qualified and trained personnel using proper tools and equipment in safe working conditions following industry standard guidelines for motor vehicle service and repair.

The installer of any compressor mount purchased from TransArctic must undertake all responsibility of issues arising from that compressor bracket being installed on any vehicle. As well as insure that a **proper and sufficient ground** is established between the compressors' clutches and the vehicle's engine. Mount functionality, operation and durability can all be compromised by an incompetent installation.

Due to the many different situations, parameters and application criteria, which are beyond the compressor mount manufacturer's control, TransArctic does not warrant design, durability, or operational functionality of any compressor mount improperly installed by another party.

With no implied guarantees it is the mount installer's strict responsibility to determine safety and functionality, of the compressor mount, at the time of installation.

Please contact TransArctic with any issue arising from installation so we may better improve the product. If you have any reservations about the compressor mount integrity contact TransArctic immediately at 1-877-COLD-AIR.