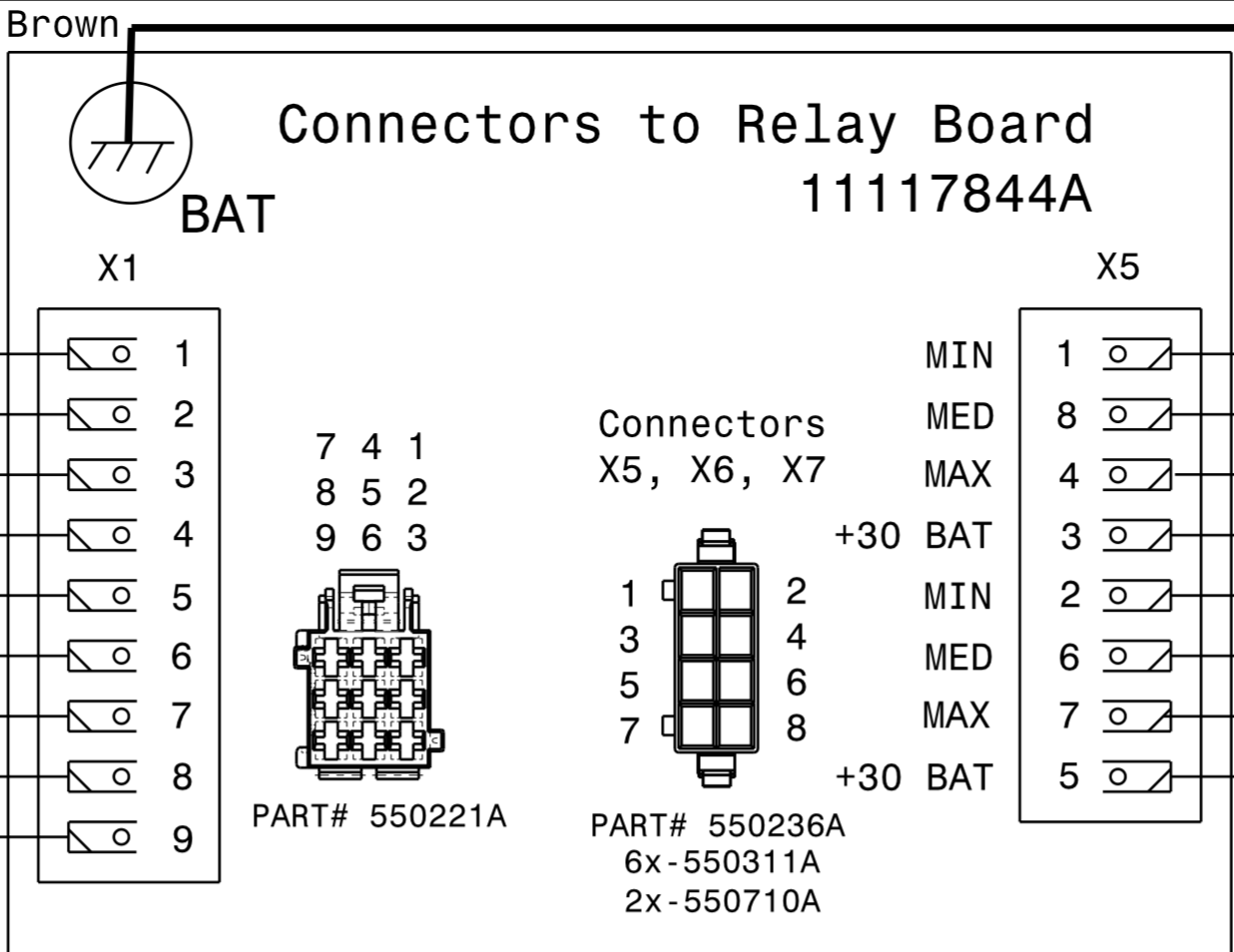
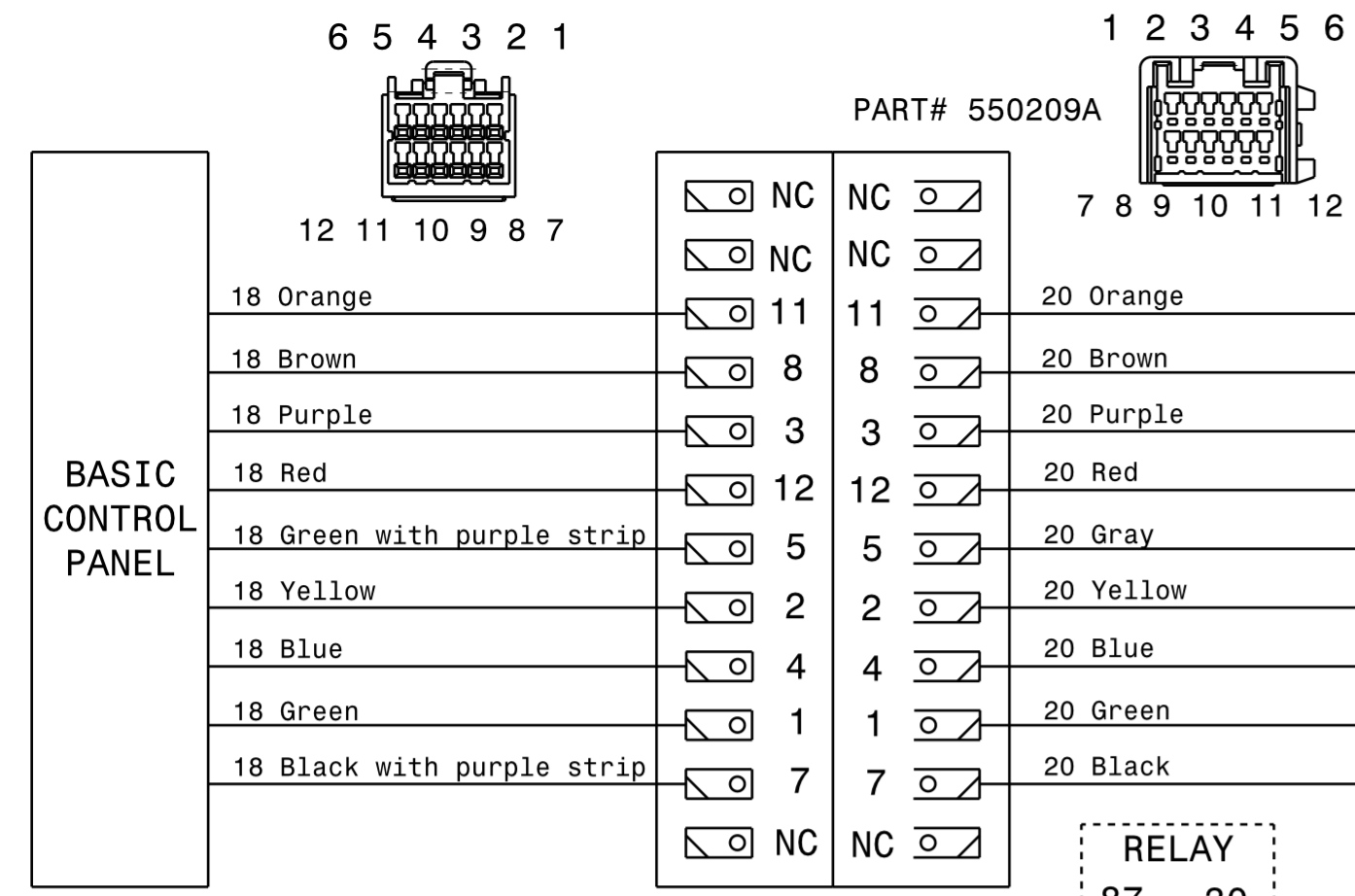
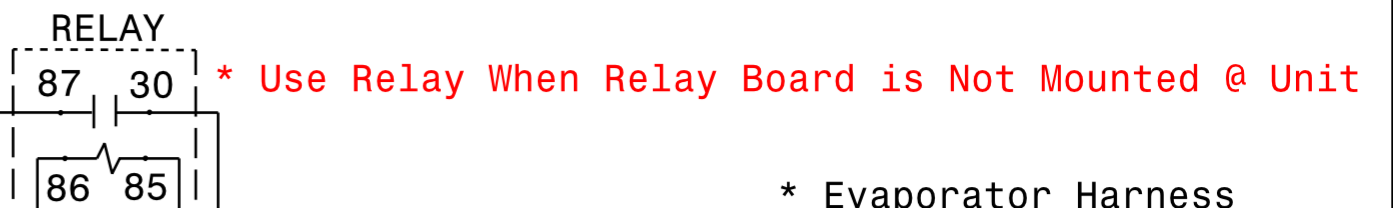


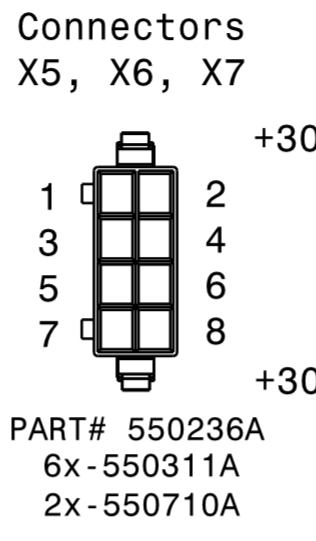
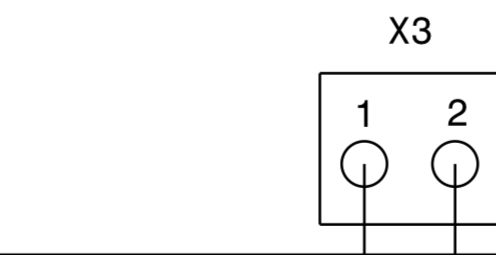
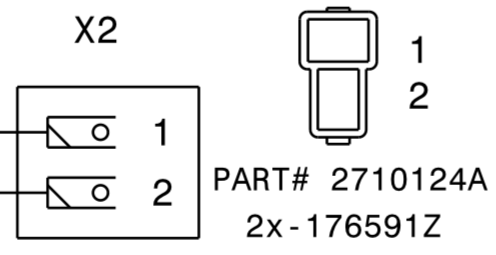
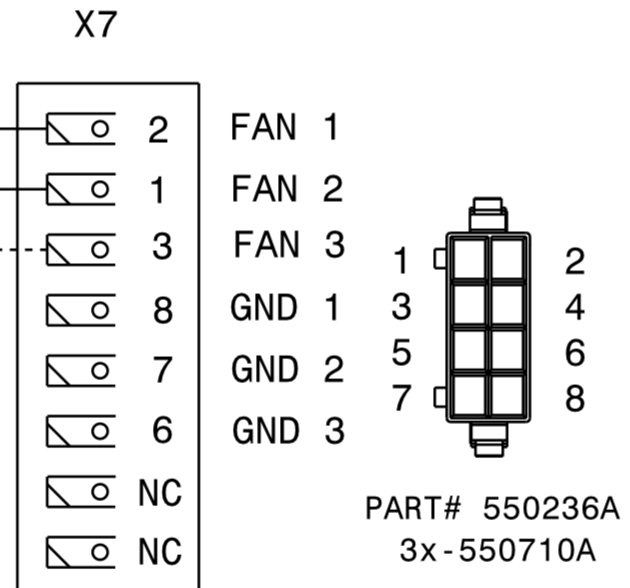
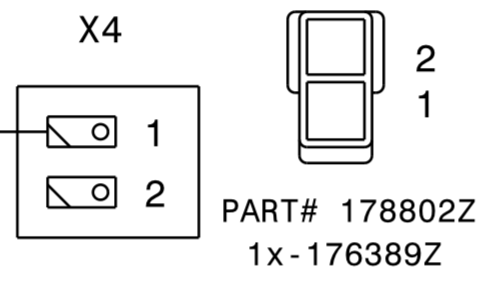
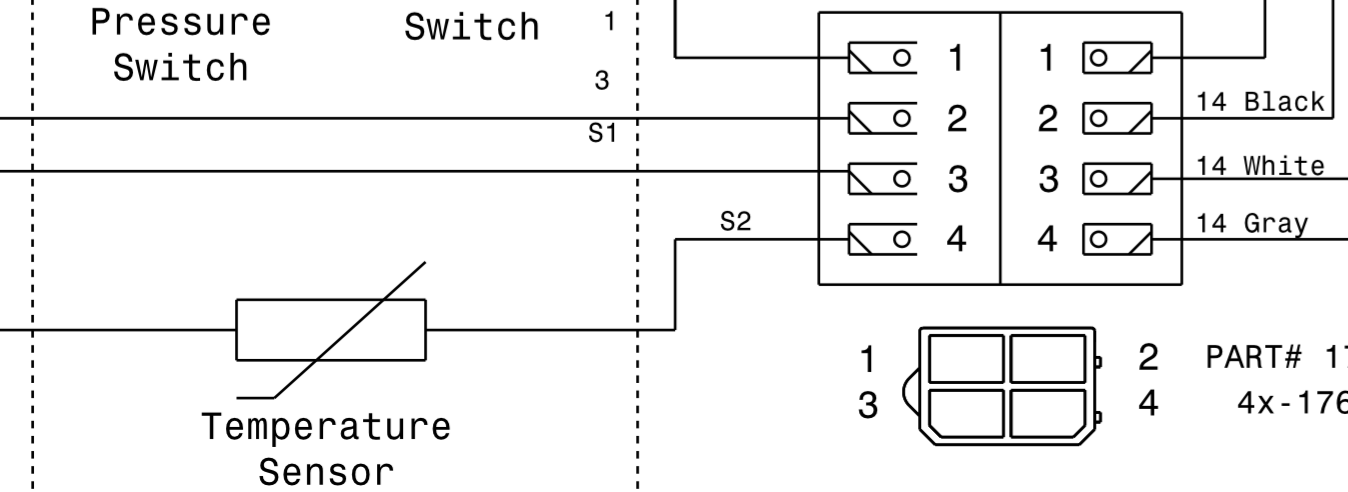
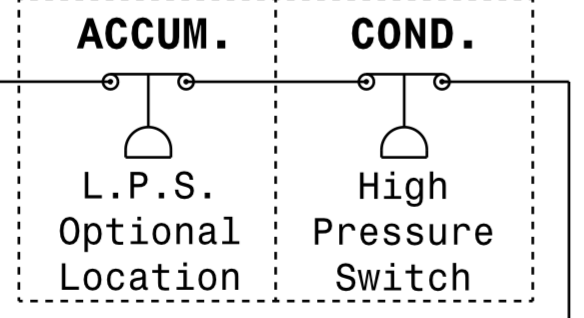
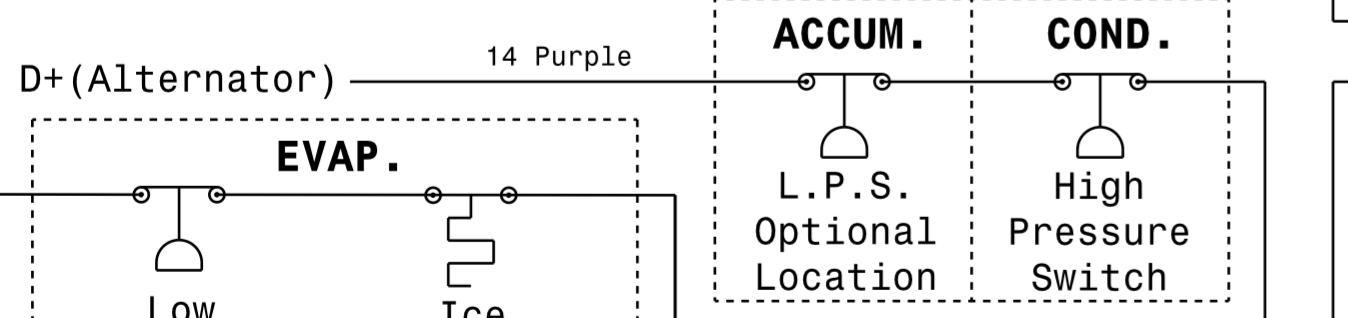
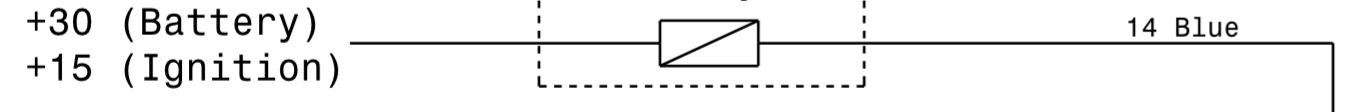
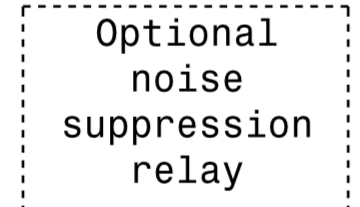
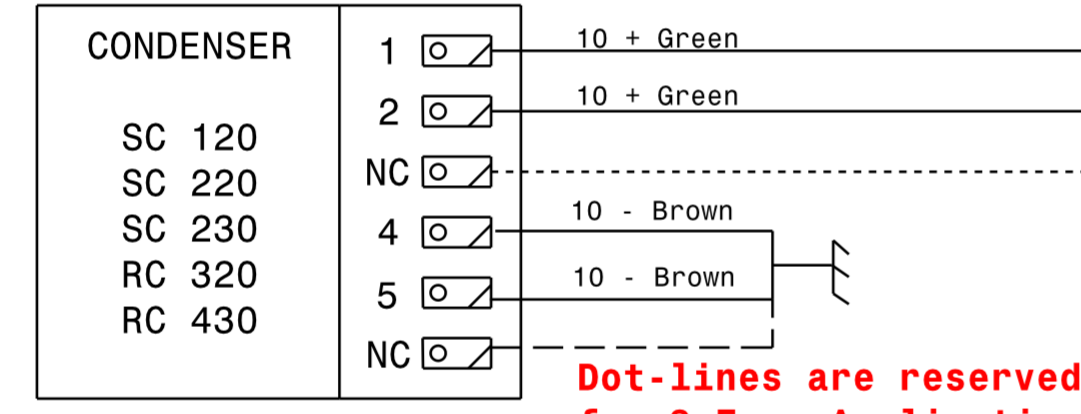
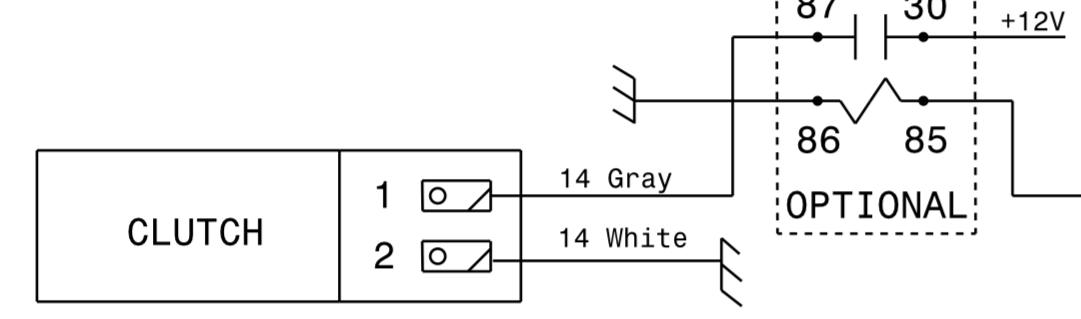
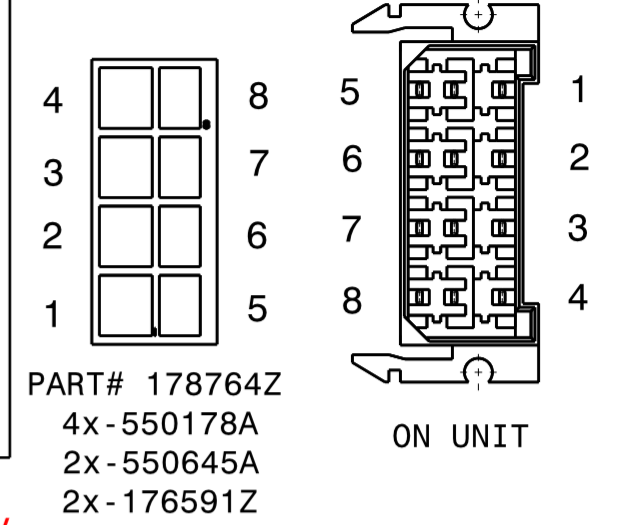
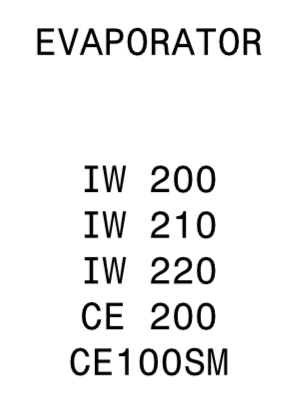
CL1	CL2	QTY	NUMBER	CHANGE	DD. MM. YY	DRAW	CHECK



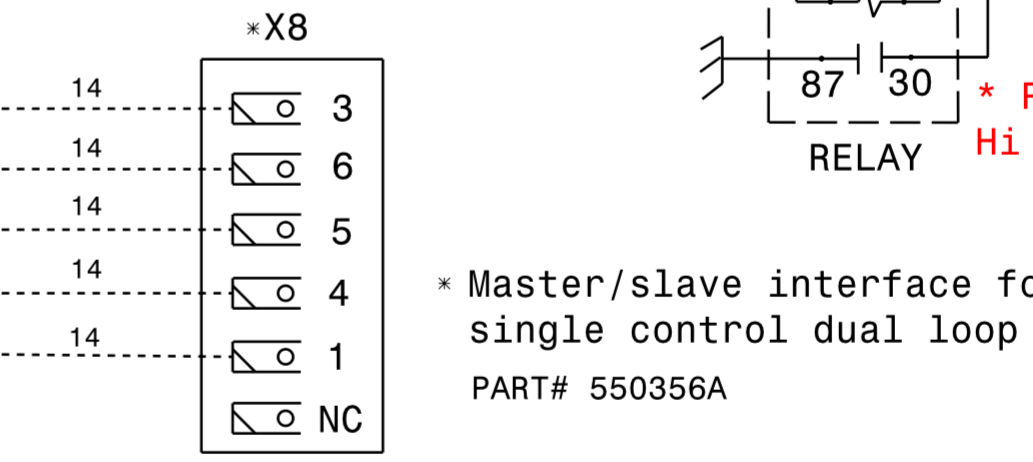
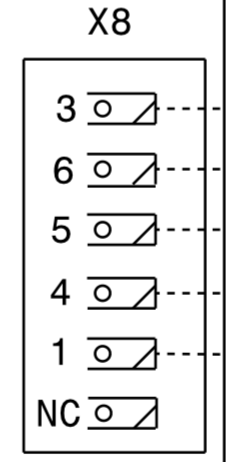
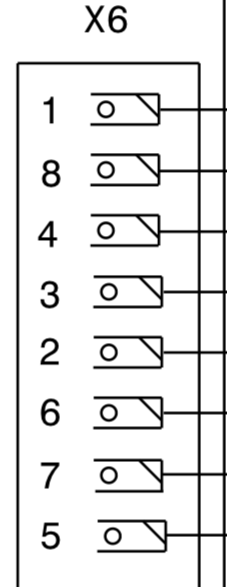
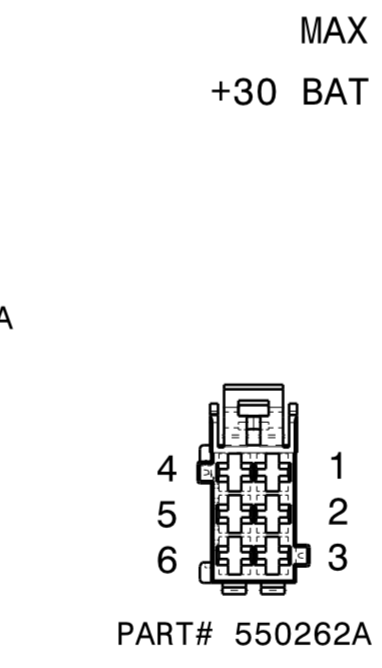
SEE BATTERY CABLE NOTE BELOW



* Evaporator Harness Adapters Typical



Reserved for 3rd blower Application or 2nd Evaporator



* Master/slave interface for single control dual loop system PART# 550356A

Wire Gauge Maximum Wire Length @12 Volts DC
 4 100 Amps
 2 37 Ft.
 2 60 Ft.
 1 76 Ft.

Note: Maximum recommended wire lengths based on 1/2 volt maximum voltage drop.

REF./POS. DIM		INFORMATION DIM		NOT SCALED DIM	
PERMISSIBLE DEVIATION FOR DIM WITHOUT TOLERANCES			VOLTAGE	WEIGHT	CAD SYSTEM
ANSI			12		CATIA V5R19
MATERIAL					
SURFACE PROTECTION					
PART NAME ARCTICSPHERE SPLIT SYSTEM WITH 2 Evaporators					
DATE	02/06/14	02/06/14	02/06/14	SCALE	DOC NO.
NAME	RAYY	JIMW	JIMW	FREE	PART NO.
DRAW	CHECK	APP			
SPHEROS				STATUS	20000036A
				SIZE	ISO A2
REPLACED BY PART-NO.			REPLACEMENT FOR PART-NO.		PAGE 1 / 1