

# Bill of Materials Listing

TransArctic Canada Inc.

12/12/2005

Page 1 of 1

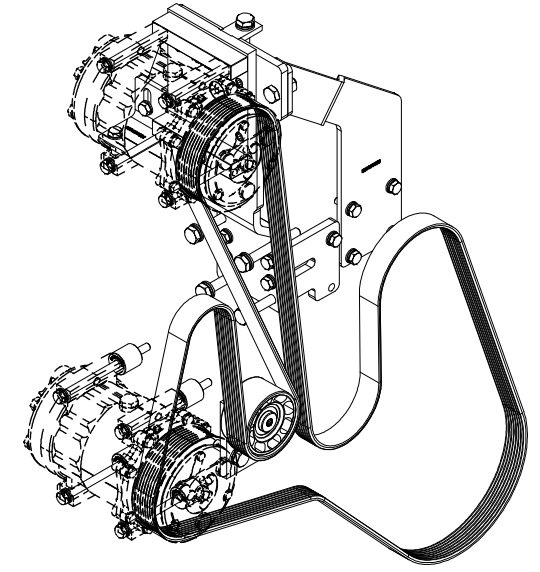
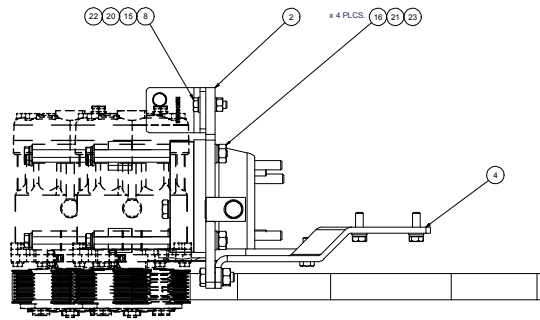
Product Number		Description	Bin	Date	Weight	Uof M	Yield
Line	Component Prod#	Description		Unit	Qty		
<b>KMC51980</b>		<b>Mt Kit, ISB, 5.9L, MVP EF, 2 SD7H15, P8</b>		<b>6/5/2004</b>	<b>24.01</b>		<b>0</b>
10	BEL83081	Belt, 8gr, 3081mm (121.3") (5081213)		each	1		
20	BMC59006	Bkt, Main, Weldmt, ISB, EF, P8		each	1		
30	BMC59007	Bkt, Assy, Block, Slide, ISB, EF, P8		each	1		
40	BMC59009	Bkt, Brace, Frt, Diag, ISB, EF, P8		each	1		
50	BMC59031	Bkt, Assy, B/S, Idler, ISB, EF, P8		each	1		
55	BMC59032	Bkt, Angle, Alt, ISB, EF, P8		each	1		
60	PUL80076	Pulley, Idler, Backside, P8, 76d (89062)		each	1		
70	SCD25408	Spacer, Col, Drl, 25.4mm x 25.4o x 8.33i		each	4		
80	KBC52680	Bag Kit, Fasteners, KMC52680/KMC51980		each	1		

# Bill of Materials Listing

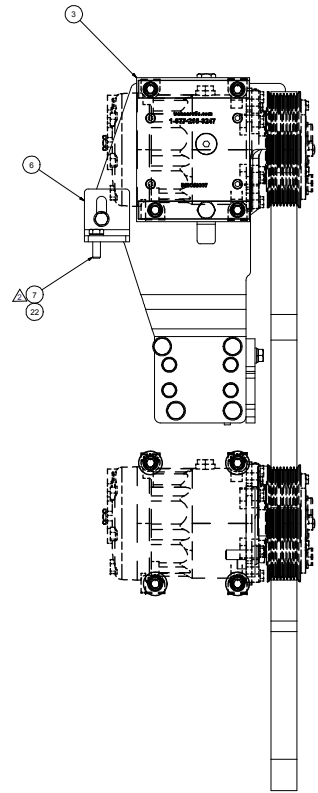
TransArctic Canada Inc.

7/16/2009  
Page 1 of 1

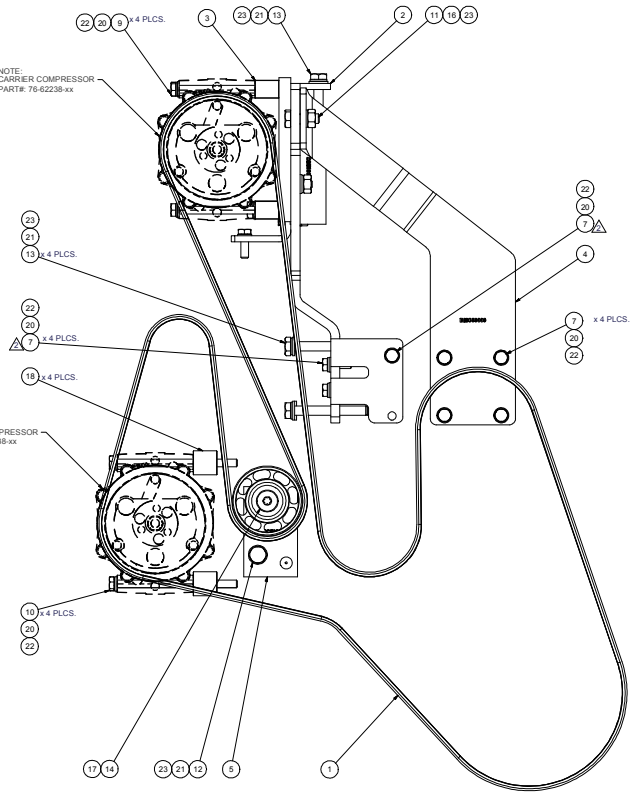
Product Number	Description	Date	Weight	Uof M	Yield
Line    Component Prod#	Description	Bin                    Unit	Qty		
<b>KBC52680</b>	<b>Bag Kit, Fasteners, KMC52680/KMC51980</b>	<b>6/7/2004</b>	<b>2.80</b>		<b>0</b>
10	BTS10001                    Bolt, Shoulder, 10mm (89064)	each	1		
20	BTC10080                    Bolt, Hex, 10 x 1.5 x 80mm, 10.9, Plt,FT	each	5		
30	BTC10035                    Bolt, Hex, 10 x 1.5 x 35mm, 10.9, Plt,FT	each	1		
40	BTC10030                    Bolt, Hex, 10 x 1.5 x 30mm, 10.9, Plt	each	1		
50	BTC08130                    Bolt, Hex, 8 x 1.25 x 130mm, 10.9, Plt	each	4		
60	BTC08100                    Bolt, Hex, 8 x 1.25 x 100mm, 10.9, Plt	each	4		
65	BTC08030                    Bolt, Hex, 8 x 1.25 x 30mm, 10.9, Plt,FT	each	1		
70	BTC08025                    Bolt, Hex, 8 x 1.25 x 25mm, 10.9, Plt	each	10		
80	NTA10000                    Nut, Hex, 10 x 1.5, 8.8, Plt	each	5		
85	NTA08000                    Nut, Hex, 8 x 1.25, 8.8, Plt	each	1		
100	WFA10000                    Washer, Flat, 10mm, 8.8, Plt	each	10		
110	WFA08000                    Washer, Flat, 8mm, 8.8, Plt	each	18		
120	WLA10000                    Washer, Lock, 10mm, 8.8, Plt	each	11		
130	WLA08000                    Washer, Lock, 8mm, 8.8, Plt	each	19		



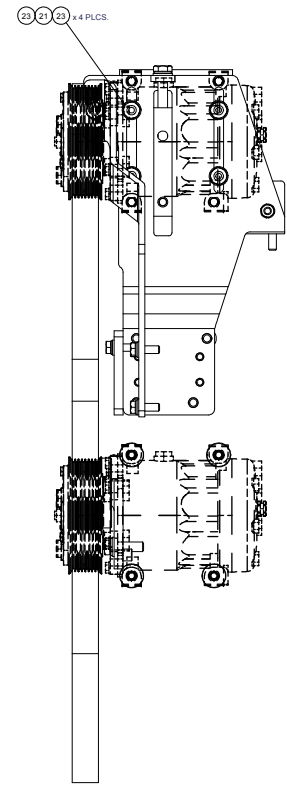
ISOMETRIC VIEW



NOTE:  
CARRIER COMPRESSOR  
PART#: 76-62238-xx



NOTE:  
CARRIER COMPRESSOR  
PART#: 76-62238-xx



- NOTES:**
- 1) USE SERVICABLE THREADLOCKER ON ALL FASTENERS TO ENGINE COMPONENTS AND TORQUE ALL BOLTS TO S.A.E. SPECIFICATIONS.
  - 2) SEE "TRANSARC TIC A/C COMPRESSOR MOUNT INSTALLATION DISCLAIMER"
  - 3) REMOVE ALTERNATOR, MOUNT CASTING AND LIFTING LUG & REPLACE THE LIFT LUG WITH ITEM BMC5800R AND RE-INSTALL ALTERNATOR AND MOUNT CASTING.
  - 4) REPLACE OEM IDLER MOUNT (BELOW ALTERNATOR) & PULLEY WITH LOWER COMPRESSOR c/w HARDWARE.

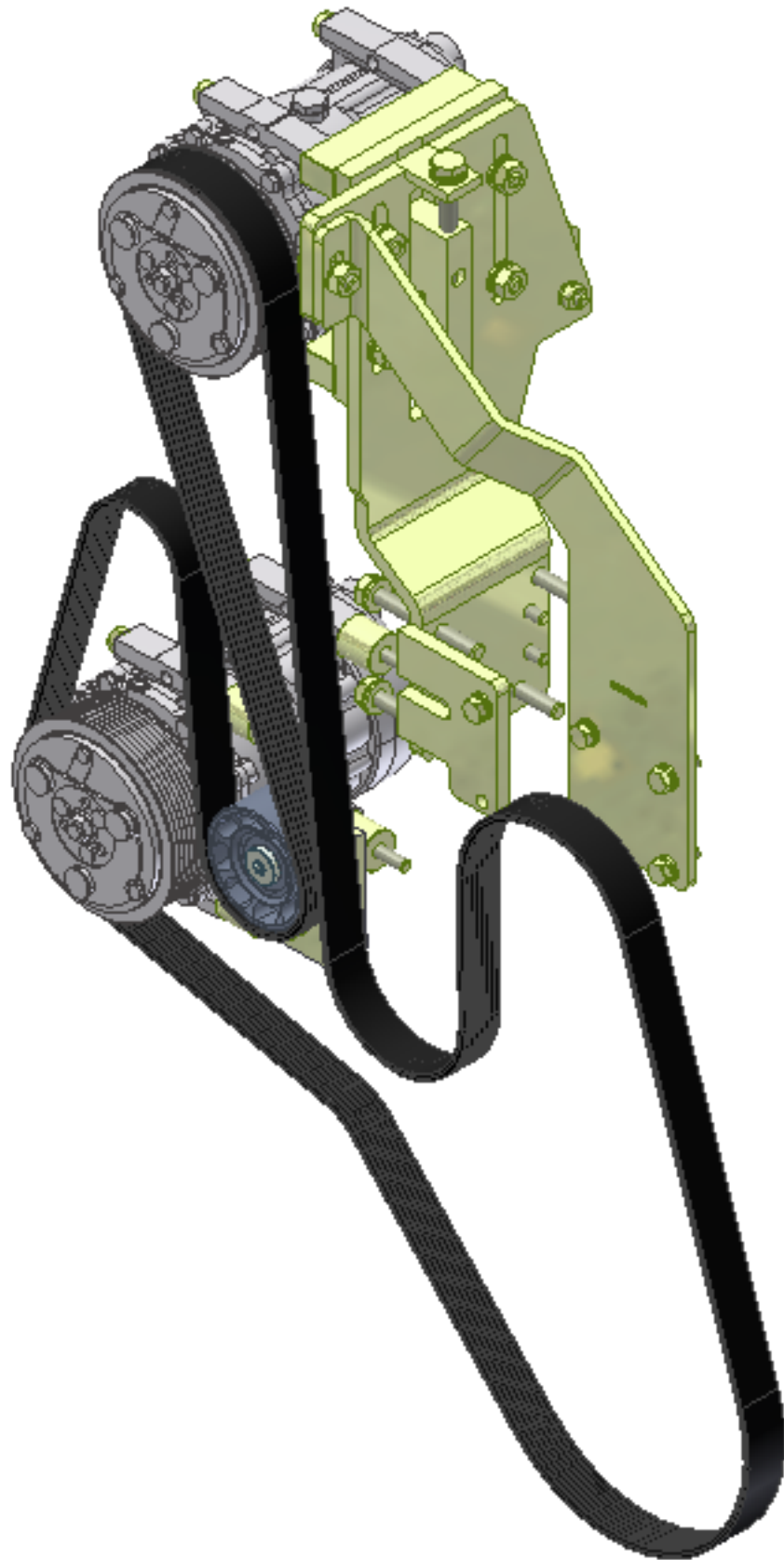
ITEM	QTY	UOM	PART NUMBER	DESCRIPTION
23	11	EACH	WL10000	WASHER, LOCK, 10mm, 8.8, PLT
22	19	EACH	WL08000	WASHER, LOCK, 8mm, 8.8, PLT
21	10	EACH	WF10000	WASHER, FLAT, 10mm, 8.8, PLT
20	18	EACH	WF08000	WASHER, FLAT, 8mm, 8.8, PLT
18	4	EACH	SCD25408	SPACER, COL, DRL, 25.4mm x 25.4 x 8.33
17	1	EACH	PUL80076	PULLEY, IDLER, BACKSIDE, P8, 76D, 39W
16	5	EACH	NTA10000	NUT, HEX, 10 x 1.5, 8.8, PLT
15	1	EACH	NTA08000	NUT, HEX, 8 x 1.25, 8.8, PLT
14	1	EACH	BTS10001	BOLT, SHOULDER, 10mm (IDLER PULLEY)
13	5	EACH	BTC10080	BOLT, HEX, 10 x 1.5 x 80mm, 10.9, PLT, FT
12	1	EACH	BTC10035	BOLT, HEX, 10 x 1.5 x 35mm, 10.9, PLT
11	1	EACH	BTC10030	BOLT, HEX, 10 x 1.5 x 30mm, 10.9, PLT
10	4	EACH	BTC08130	BOLT, HEX, 8 x 1.25 x 130mm, 10.9, PLT
9	4	EACH	BTC08100	BOLT, HEX, 8 x 1.25 x 100mm, 10.9, PLT
8	1	EACH	BTC08030	BOLT, HEX, 8 x 1.25 x 30mm, 10.9, PLT
7	10	EACH	BTC08025	BOLT, HEX, 8 x 1.25 x 25mm, 10.9, PLT
6	1	EACH	BMC59032	BKT, BRACE, REAR, ANGLE, ISB, EF, P8
5	1	EACH	BMC59031	BKT, ASSY, B/S IDLER, ISB, EF, P8
4	1	EACH	BMC59009	BKT, BRACE, FRT, DIAG, ISB, EF, P8
3	1	EACH	BMC59007	BKT, ASSY, BLOCK, SLIDE, ISB, EF, P8
2	1	EACH	BMC58006	BKT, MAIN, WELDMT, ISB, EF, P8
1	1	EACH	BE18381	BELT, 8 GR, 3081mm (121.3")

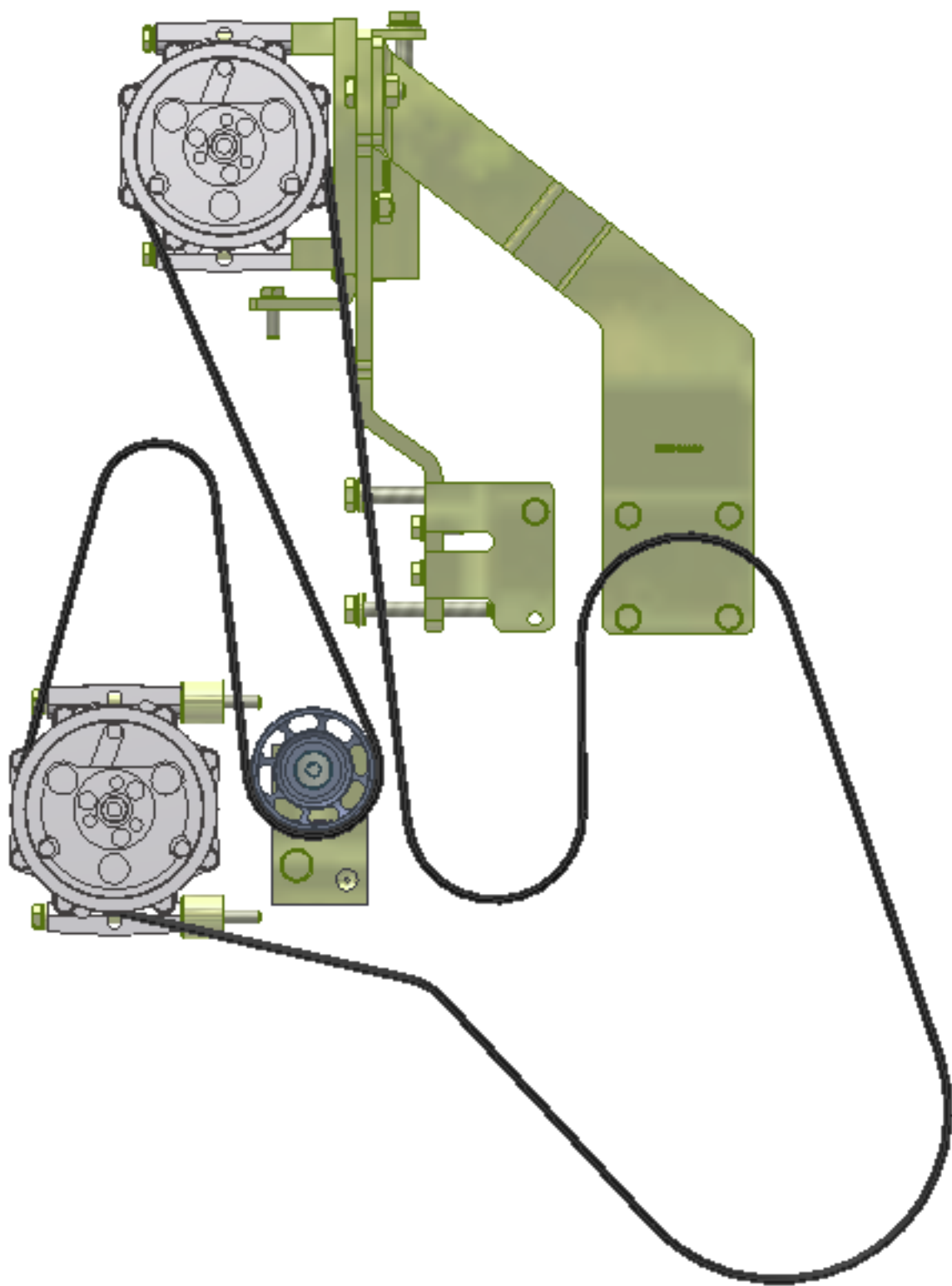
BILL OF MATERIALS

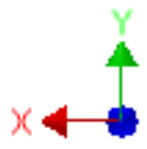
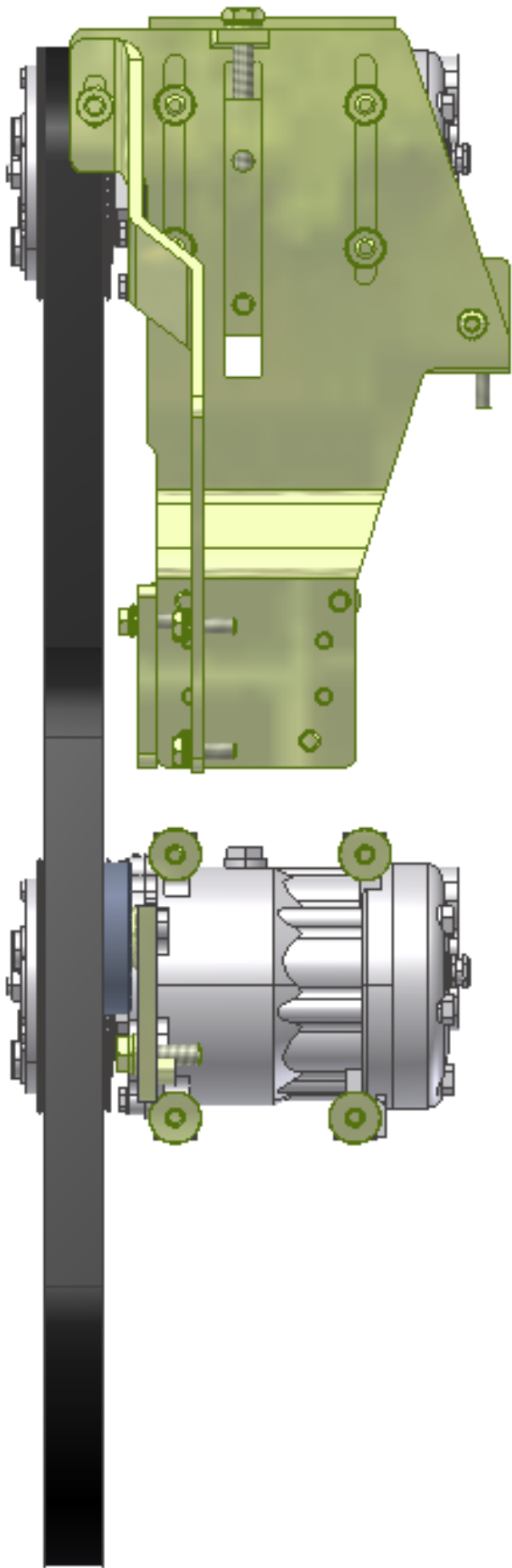
**TRANSARC TIC INC.**

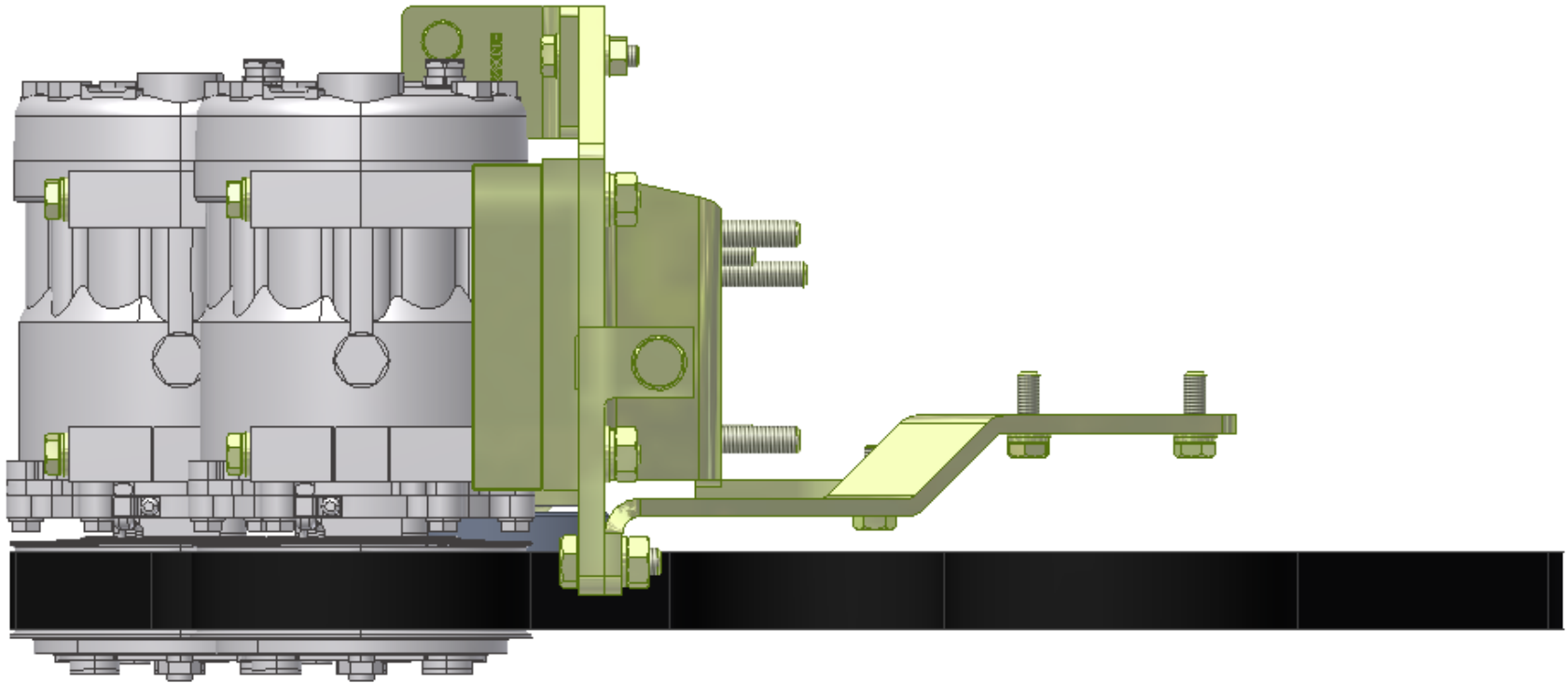
DATE: 06/20/2004  
 DRAWN BY: Ryan Ingram  
 CHECKED BY: James Stewart  
 APPROVED BY: Date Mason

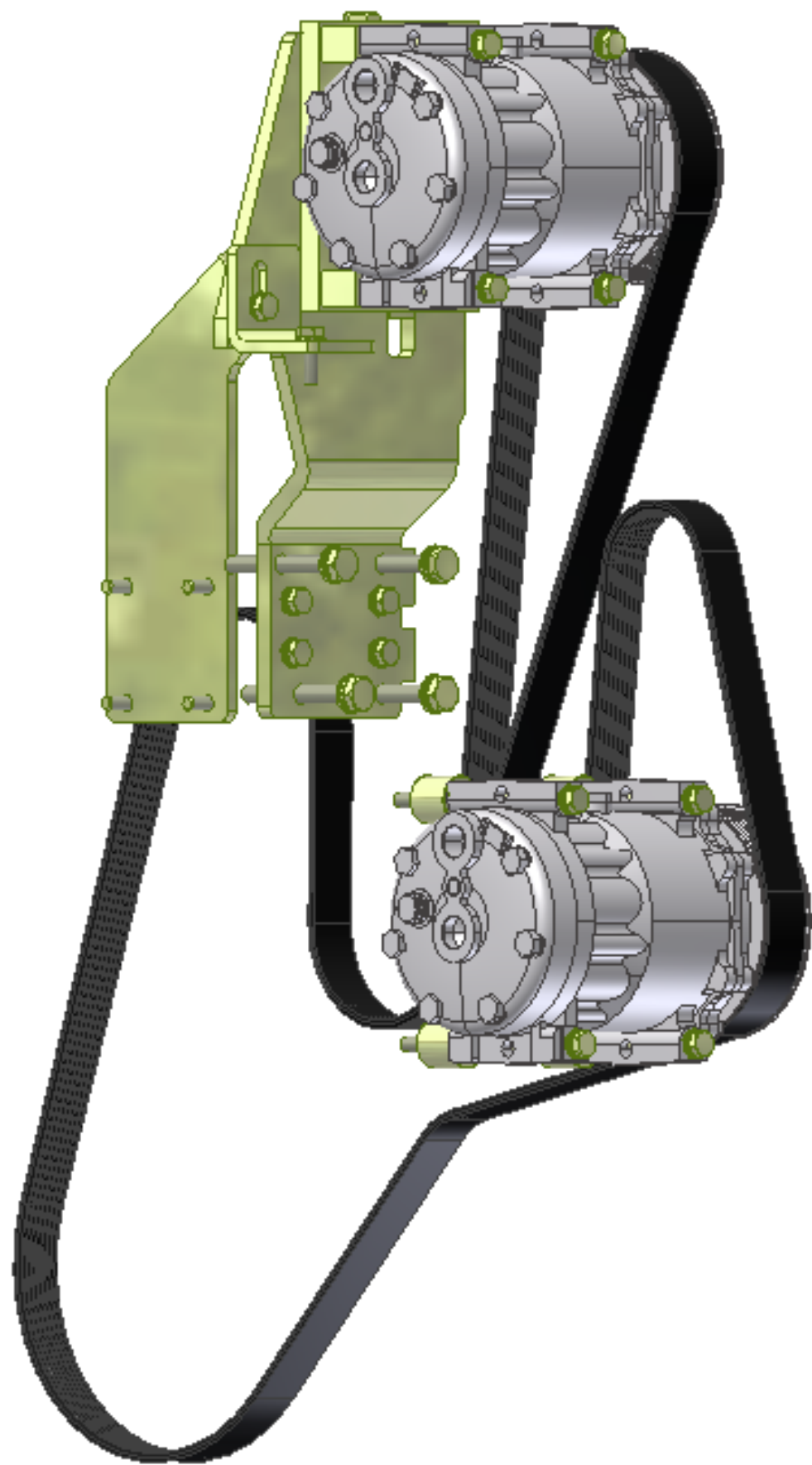
ITEM: Mt Kit, ISB, MVP-EF, 2 SD7H15, P8  
 DWTG NO: KMC51980  
 SCALE: 1:1  
 SHEET: 1 OF 2



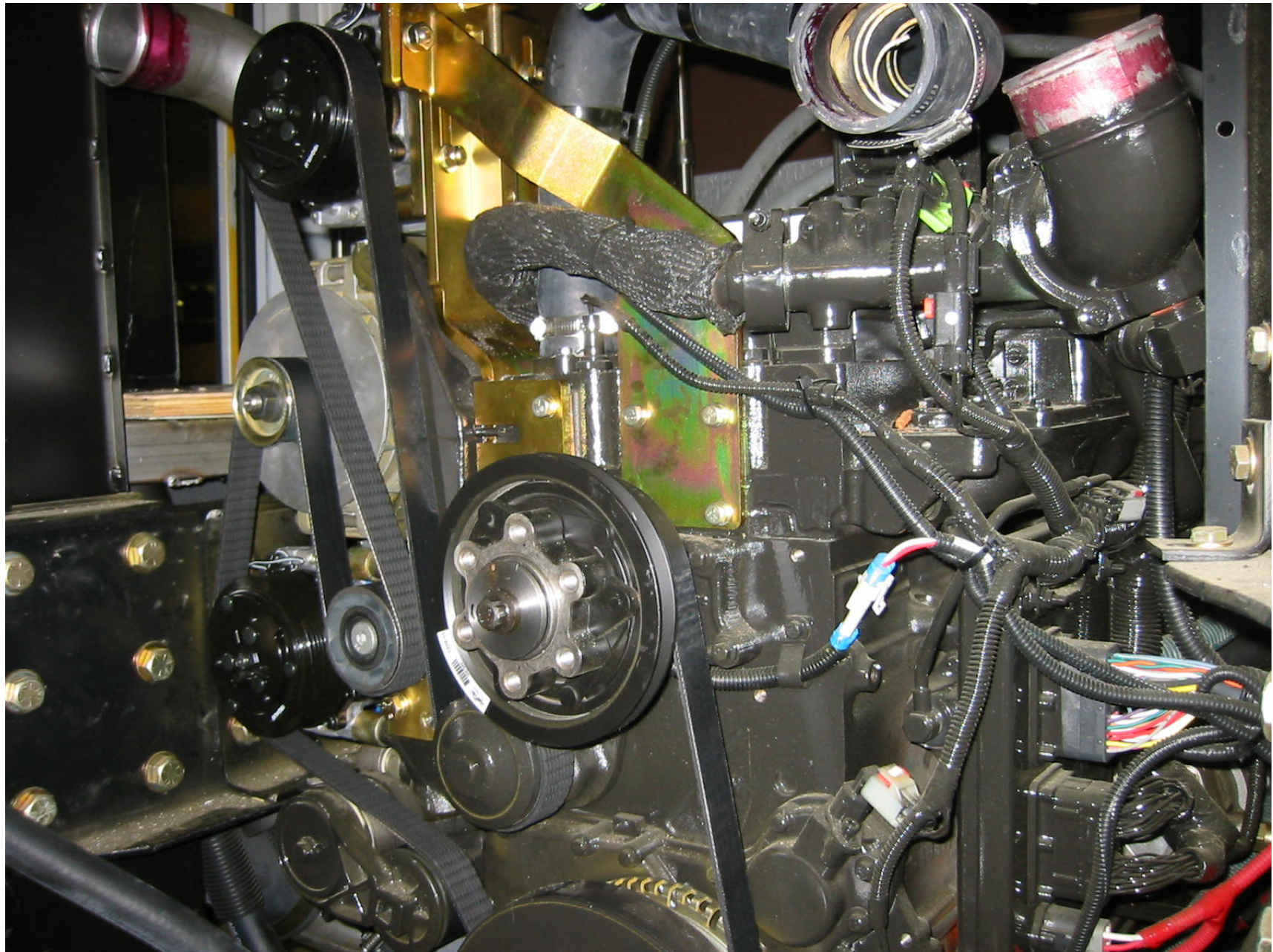












## **TransArctic A/C Compressor Mount Installation Disclaimer**

All compressor mounts should be installed by qualified and trained personnel using proper tools and equipment in safe working conditions following industry standard guidelines for motor vehicle service and repair.

The installer of any compressor mount purchased from TransArctic must undertake all responsibility of issues arising from that compressor bracket being installed on any vehicle. As well as insure that a **proper and sufficient ground** is established between the compressors' clutches and the vehicle's engine. Mount functionality, operation and durability can all be compromised by an incompetent installation.

Due to the many different situations, parameters and application criteria, which are beyond the compressor mount manufacturer's control, TransArctic does not warrant design, durability, or operational functionality of any compressor mount improperly installed by another party.

**With no implied guarantees it is the mount installer's strict responsibility to determine safety and functionality, of the compressor mount, at the time of installation.**

Please contact TransArctic with any issue arising from installation so we may better improve the product. If you have any reservations about the compressor mount integrity contact TransArctic immediately at 1-877-COLD-AIR.