



Eaton A/C & refrigeration hose & fittings catalog



EATON
Powering Business Worldwide



Table of contents

Introduction

General information / Ordering.....	4
Fluid compatibility.....	5

HOSES

EverCool & specialty

GH001 (EverCool).....	8
EC007 (EverCool)	9
FC800 (EverCool)	10
FC555 (Specialty)	11
FC802 (Specialty)	12

FITTINGS

Field attachable

EZ Clip - GH001.....	13
EZ Clip - Instructions.....	46
Field attachable - FC800.....	49

Crimpable

757 E-series - EC007.....	54
FC800.....	62

Factory crimp

GH001 & EC007	66
---------------------	----

Accessories

Sleeves and brackets.....	81
---------------------------	----

Additional Resources

PowerSource/Brochures.....	85
----------------------------	----

Meet Eaton's full family of mobile A/C hoses

Setting new standards for hose performance, flexibility and durability in the mobile A/C industry.



Customers today are demanding more from their vehicles A/C system. Every component and system have to work harder and last longer, delivering consistent results mile after mile. Couple that with evolving environmental standards and you have manufacturers wondering how to design vehicles that are both productive and environmentally sustainable.

The answer, the EverCool™ family of high-performance A/C hoses.

Our complete portfolio of EverCool hoses, including the EC007 barrier hose, industry-leading GH001 veneer hose and FC800 large bore hose, provides options for the full range of mobile A/C applications, including bus, truck, agricultural, military and construction vehicles. And all three hoses in the portfolio are qualified with multiple refrigerants, including R1234yf.

GH001 Hose packaging specifications

Cleveland Stocked Part numbers

BASE PART #	WR50 (BOX)			WR200 (-16 = WR250) (BOX)		
	TOTAL LENGTH (FT)	MAX # OF PIECES	MIN. LENGTH/PIECE (FT)	TOTAL LENGTH (FT)	MAX # OF PIECES	MIN. LENGTH/PIECE (FT)
GH001-4	50	1	50	200	3	40
GH001-6	50	1	50	200	3	40
GH001-8	50	1	50	200	3	40
GH001-10	50	1	50	200	3	40
GH001-12	50	1	50	200	3	40
GH001-16	50	1	50	250	3	40

Reeled part number format: GH001-4WR50 or GH001-4WR200

Van Wert Stocked Part numbers

BASE PART #	RL (REEL)		
	TOTAL LENGTH (FT)	MAX # OF PIECES	MIN. LENGTH/PIECE (FT)
GH001-4	500	8	10
GH001-6	560	3	40
GH001-8	575	3	40
GH001-10	560	3	40
GH001-12	367	3	40
GH001-16	250	3	40

Bulk part number format: GH001-4

For bulk ordering in Van Wert only (using base part #): Customer can order the quantity of hose (in ft.) they desire and that is what Van Wert will ship (cannot guarantee continuous lengths).

Reeled part number format: GH001-4RL

How to use this catalog

Accurate processing and prompt delivery of your order depend on easy identification of your requirements. Please order Eaton parts using correct part numbers as described in this catalog. Inquiries and orders should be directed to your Eaton distributor or:

Eaton
 14615 Lone Oak Road
 Eden Prairie, MN 55344
 USA
 Tel: 952 937-9800
 Fax: 952 974-7722
www.hydraulics.eaton.com

EC007 Hose packaging specifications

Cleveland Stocked Part numbers

BASE PART #	WRL (REEL)			WR100 (BOX)		
	TOTAL LENGTH (FT)	MAX # OF PIECES	MIN. LENGTH/PIECE (FT)	TOTAL LENGTH (FT)	MAX # OF PIECES	MIN. LENGTH/PIECE (FT)
EC007-06	560	5	40	100	2	40
EC007-08	575	5	40	100	2	40
EC007-10	550	5	40	100	2	40
EC007-12	350-375	5	40	100	2	40

Reeled part number format: EC007-06WRL or EC007-06W100

Van Wert Stocked Part numbers

BASE PART #	RL (REEL)		
	TOTAL LENGTH (FT)	MAX # OF PIECES	MIN. LENGTH/PIECE (FT)
EC007-06	560	5	40
EC007-08	575	5	40
EC007-10	550	5	40
EC007-12	350-375	5	40
EC007-14	350-375	5	40

Bulk part number format: EC007-06

For bulk ordering in Van Wert only (using base part #): Customer can order the quantity of hose (in ft.) they desire and that is what Van Wert will ship (cannot guarantee continuous lengths).

Reeled part number format: EC007-06RL

FC800 and specialty hose packaging specifications

Bulk part number format: FC800-16 / FC555-16 / FC802-16

For bulk ordering in Van Wert and Cleveland (using base part #): Customer can order the quantity of hose (in ft) they desire and that is what Van Wert will ship (cannot guarantee continuous lengths).

General information

Flexible hose lines offer many advantages over rigid tubing including routing ease, vibration absorption, sound deadening and the ability to accommodate movement of connected components. However, hose lines require caution in use – not only to provide long service – but also to guard against potentially dangerous failure.

Important

Special care should be taken when selecting the proper refrigerant hose and fittings. The information contained in this bulletin is provided as a general guide to assist in making the appropriate product selection. This guide does not address every parameter that must be considered when selecting a product. The user must make the final product selection in consideration of the user's unique requirements.

Additionally, special care must be taken when working with refrigerant systems. Sudden escape of refrigerant gases may result in blindness or severe injury. Eaton recommends adherence to the guidelines and general practices as defined in SAE J2211 for the

service and containment of HFC-134a, as well as all applicable EPA guidelines and procedures concerning the service of refrigerant systems.



Warning

Eaton fitting tolerances are engineered to match Eaton hose tolerances. The use of Eaton fittings on hose supplied by other manufacturers and/or the use of EverCool hose with fittings supplied by other manufacturers may result in the production of unreliable and unsafe hose assemblies and is not authorized by Eaton.

EATON SHALL NOT BE SUBJECT TO AND DISCLAIMS ANY OBLIGATIONS OR LIABILITIES (INCLUDING BUT NOT LIMITED

TO ALL CONSEQUENTIAL, INCIDENTAL AND CONTINGENT DAMAGES) ARISING OUT OF BREACH OF CONTRACT OR OF WARRANTY OR ARISING FROM TORT CLAIMS (INCLUDING WITHOUT LIMITATION NEGLIGENCE AND STRICT LIABILITY) OR OTHER THEORIES OF LAW WITH RESPECT TO ANY HOSE ASSEMBLIES NOT PRODUCED FROM GENUINE EATON HOSE FITTINGS, HOSE AND EATON APPROVED EQUIPMENT, AND IN CONFORMANCE WITH EATON PROCESS AND PRODUCT INSTRUCTIONS FOR EACH SPECIFIC HOSE ASSEMBLY.

Chemical compatibility charts

Refrigerant compatibility chart of refrigerant hoses

REFRIGERANT	HOSE STYLE		
	GH001	EC007	FC800
R-1234YF	Y	Y	Y
R134A	Y	Y	Y
R407C	Y	Y	Y
R410A	Y	Y	Y
R404A	Y	*	Y

Y = Compatible N = Non-compatible

* Contact product support for application review

Lubricant compatibility chart

LUBRICANT	HOSE STYLE		
	GH001	EC007	FC800
Mineral oil	Y	*	Y
PAG	Y	Y	Y
Ester oil	Y	Y	Y
Alkylbenzene	*	*	Y

Y = Compatible N = Non-compatible

* Contact product support for application review





GH001

EverCool A/C & Refrigeration

Exceeds: SAE J3062 / J2064 Type E, Class 1

Construction:	Operating parameters:	Benefits:	Application:
<p>Tube: Dual nylon veneer</p> <p>Reinforcement: 1-Textile braid</p> <p>Cover: EPDM</p>	<p>-40°C to +140°C (-40°F to +284°F)</p> <p>R1234yf effusion .3 kg/m²/yr at 80°C</p> <p>R134a effusion .5 kg/m²/yr at 80°C</p> <p>Oils POE, PAG, Mineral oil,</p> <p>Moisture ingress <0.039 g/cm²/year according to SAE J3062, Class 1</p>	<ul style="list-style-type: none"> Extremely low permeation Excellent heat resistance offering a higher functional temperature range than SAE J3062/J2064 Type C or E hoses. Ozone and UV resistant Easy to install – significant reduction in potential hose damage. GH001 has maximum kink resistance, temperature resistance SAE J3062 Type E veneer tube offers excellent oil and refrigerant compatibility 	<ul style="list-style-type: none"> A/C systems for truck, bus, agriculture, construction equipment and refrigeration systems <p>For more information refer to E-HOAC-BB001-E Eaton GH001 EverCool A/C hose.</p>

# Part number	Hose I.D.		Hose O.D.		Maximum operating pressure		Minimum burst pressure		Minimum bend radius		Weight		Vacuum service		
	DN	mm	in	mm	in	bar	psi	bar	psi	mm	in	kg/m	lbs/ft	kPa	in
GH001-4	5	5,1	0.20	11,5	0.45	35	500	140	2000	38,1	1.50	0,10	0.07	94,8	28
GH001-6	8	8,1	0.32	15,2	0.60	35	500	140	2000	50,0	2.00	0,15	0.10	94,8	28
GH001-8	10	10,7	0.42	18,3	0.72	35	500	140	2000	63,0	2.50	0,21	0.14	94,8	28
GH001-10	12	13,2	0.52	20,7	0.81	35	500	140	2000	76,2	3.00	0,22	0.15	94,8	28
GH001-12	16	16,5	0.65	25,1	0.99	35	500	140	2000	101,6	4.00	0,34	0.23	94,8	28
GH001-16	19	22,9	0.90	31,4	1.24	35	500	140	2000	177,8	7.00	0,37	0.25	94,8	28

Fitting reference

EZ Clip fittings – refer to Field Attachable section, page 13.

Factory Crimp –For more information, please contact Eaton Customer Service at 952-937-9800.



EC007

EverCool EC007

Exceeds: SAE J3062 / J2064 Type C, Class 1

Construction	Operating parameters	Benefits	Application
<p>Tube: Chloroprene</p> <p>Barrier Layer: Nylon</p> <p>Reinforcement: 1-Textile braid</p> <p>Cover: Bromobutyl</p>	<p>-40°C to + 135°C (-4°F to + 275°F)</p> <p>R1234yf effusion .65 kg/m²/yr at 80°C</p> <p>R134a effusion .8 kg/m²/yr at 80°C</p> <p>Oils POE, PAG</p> <p>Moisture ingress <0.039 g/cm²/year according to SAE J3062, Class 1</p>	<ul style="list-style-type: none"> Significantly exceeds SAE J3062 and SAE J2064 specifications Operating temperature range: -40°C to + 135°C (-4°F to + 275°F) Qualified with R134a, R1234yf, R407C, R513a, R404a and R452a Class 1 moisture ingress rating Ozone and UV resistant 	<ul style="list-style-type: none"> Truck, bus, agricultural and construction vehicles <p>For more information refer to E-HOAC-BB005-E Eaton EC007 EverCool A/C hose brochure.</p>

# Part number	Hose I.D.			Hose O.D.		Maximum operating pressure		Minimum burst pressure		Minimum bend radius		Weight		Vacuum service	
	DN	mm	in	mm	in	bar	psi	bar	psi	mm	in	kg/m	lbs/ft	kPa	in
EC007-06	8	8.10	0.32	15.20	0.60	35	500	140	2000	50	50	2.0	0.14	94,8	28
EC007-08	10	10.70	0.42	17.80	0.70	35	500	140	2000	64	64	2.5	0.17	94,8	28
EC007-10	12	12.90	0.51	19.90	0.70	35	500	140	2000	76	76	3.0	0.19	94,8	28
EC007-12	16	16.30	0.64	24.10	0.95	35	500	140	2000	102	102	4.0	0.34	94,8	28
EC007-14	18	18.80	0.74	28.40	1.12	35	500	140	2000	127	127	5.0	0.43	94,8	28

Fitting reference

Flat crimp fittings – refer to section, page xx.

Factory Crimp –For more information, please contact Eaton Customer Service at 952-937-9800.



FC800

EverCool A/C

Exceeds: SAE J3062 / J2064 Type B, Class 1

Construction	Operating parameters	Benefits	Applications
<p>Tube: Chloroprene (CR)</p> <p>Barrier Layer: Nylon</p> <p>Reinforcement: Textile braid</p> <p>Cover: EPDM</p>	<p>-40°C to +125°C (-40°F to +257°F)</p> <p>Permeation rate <1,0 kg/m²/year (for R134a at 80°C)</p> <p>Moisture ingress <0.039 g/cm²/year according to SAE J3062, Class 1</p> <p>Refrigerant use R134a, R407C, R1234yf. Additional refrigerants and refrigerant oils upon request.</p>	<ul style="list-style-type: none"> FC800 EverCool exceeds the requirements of the SAE J3062 / J2064 FC800 has an excellent bend radius, virtually 1/2 of the radius of comparable large bore hoses Ozone and UV resistant 	<ul style="list-style-type: none"> Metro, large bus and rail <p>For additional information refer to A-HOAC-MR003-E, EverCool New Large Bore A/C Hose.</p>

# Part number	Hose I.D.			Hose O.D.		Maximum operating pressure		Minimum burst pressure		Minimum bend radius		Weight		Vacuum service	
	DN	mm	in	mm	in	bar	psi	bar	psi	mm	in	kg/m	lbs/ft	kPa	in
FC800-12	16	16,4	0.65	27,2	1.07	35	500	140	2000	70	2.8	0,67	0.45	94,8	28
FC800-16	19	22,8	0.90	31,5	1.24	35	500	140	2000	80	3.2	0,71	0.48	94,8	28
FC800-20	25	28,3	1.15	38,6	1.52	35	500	140	2000	100	3.9	0,92	0.62	94,8	28
FC800-24	31	35,5	1.40	45,6	1.80	35	500	140	2000	160	6.3	1,16	0.78	94,8	28

Fitting reference

Field attachable: refer to Field Attachable section, page 49.

FC800 A/C: refer to Crimpable section, page 62.



FC555

EverCool FC555

Exceeds: SAE J3062 / J2064

Construction	Operating parameters	Benefits	Applications
<p>Tube: Corrugated nylon</p> <p>Reinforcement: Textile braid</p> <p>Cover: Textile braid</p>	<p>-40°C to +125°C (-40°F to +257°F)</p> <p>Permeation rate <1,0 kg/m²/year (for R134a at 80°C)</p> <p>Moisture ingress <0.039 g/cm²/year according to SAE J3062, Class 1</p> <p>Refrigerant use R-134a, R-12, R-22, R-502 Additional refrigerants and refrigerant oils upon request.</p>	<ul style="list-style-type: none"> • Optimum sealing at the hose/nipple interface. • Polyester outer braid for higher abrasion resistance. • Corrugated for increased flexibility 	<ul style="list-style-type: none"> • Metro, large bus and rail

# Part number	Hose I.D.		Hose O.D.		Maximum operating pressure		Minimum burst pressure		Minimum bend radius		Weight		Vacuum service	
	DN	mm in	mm in	bar psi	bar psi	mm in	kg/m lbs/ft	kPa in						
FC555-12	12	15,9 0.62	29,7 1.17	35 500	175 2500	63.5 2.5	0,30 2.40	94,8 28						
FC555-16	16	22,2 0.88	35,6 1.40	35 500	175 2500	76.2 3.0	0,40 3.00	94,8 28						
FC555-20	25	28,6 1.12	42,4 1.67	35 500	175 2500	101.6 4.0	0,49 0.33	94,8 28						

Fitting reference

Factory Crimp ONLY – For more information, please contact Eaton Customer Service at 952-937-9800.



FC802

EverCool A/C

Exceeds: SAE J3062 / J2064

Construction	Operating parameters	Benefits	Applications
<p>Tube: Nylon veneer</p> <p>Barrier Layer: Polyamide (PA)</p> <p>Reinforcement: 1 wire braid</p> <p>Cover: EPDM</p>	<p>-40°C to +121°C (-40°F to +250°F)</p> <p>Permeation rate 1.21 kg/m²/year (for R134a at 80°C)</p> <p>Moisture ingress <0.039 g/cm²/year according to SAE J3062, Class 1</p> <p>Refrigerant use R134a, R407C, R1234yf. Additional refrigerants and refrigerant oils upon request.</p>	<ul style="list-style-type: none"> FC802 EverCool exceeds the requirements of the SAE J3062 / J2064 Large selection of fitting configurations, using 100R5 field attach-ables. 	<ul style="list-style-type: none"> Metro, large bus and rail Overhead cranes and stationary equipment

# Part number	Hose I.D.			Hose O.D.		Maximum operating pressure		Minimum burst pressure		Minimum bend radius		Weight		Vacuum service	
	DN	mm	in	mm	in	bar	psi	bar	psi	mm	in	kg/m	lbs/ft	kPa	in
FC802-04	4	5.1	0.20	13.2	.52	35	500	175	2500	50,8	2.0	0,16	0.11	94,8	28
FC802-06	6	8.38	0.33	17.3	.68	35	500	175	2500	63,5	2.5	0,24	0.16	94,8	28
FC802-08	8	10.67	0.42	19.6	.77	35	500	175	2500	76,2	3.0	0,27	0.18	94,8	28
FC802-10	10	13.2	0.52	23.4	.92	35	500	175	2500	88,9	3.5	0,42	0.28	94,8	28
FC802-12	12	16.51	0.65	27.4	1.08	35	500	175	2500	114.3	4.5	0,51	.34	94,8	28

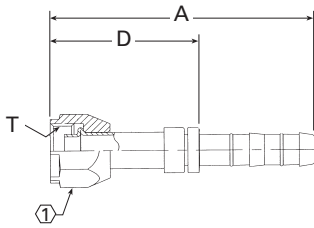
Fitting reference

FC802 utilizes 100R5 field attachable fittings. See Eaton's Hose and Fitting catalogs or contact product support for fitting options.



EZ Clip system - GH001 Fittings

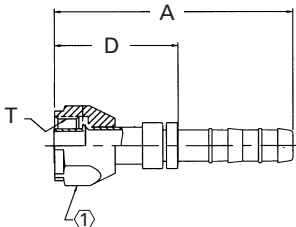
FJ5984



Straight – female O-Ring (short pilot)

PART NUMBER	TH'D "T"	HOSE SIZE	A REF	D REF	F REF	H REF	① REF
FJ5984-0606S	5/8-18	6	3.14	1.62	—	—	0.75
FJ5984-0608S	5/8-18	8	3.16	1.62	—	—	0.75
FJ5984-0808S	3/4-16	8	3.56	2.02	—	—	0.88
FJ5984-0810S	3/4-16	10	3.57	2.02	—	—	0.88
FJ5984-1008S	7/8-14	8	3.62	2.08	—	—	0.88
FJ5984-1010S	7/8-14	10	3.63	2.08	—	—	1.06
FJ5984-1012S	7/8-14	12	3.66	2.08	—	—	1.06
FJ5984-1210S	1-1/16-14	10	4.25	2.62	—	—	1.25
FJ5984-1212S	1-1/16-14	12	4.25	2.67	—	—	1.25
FJ5984-1016S	7/8-14	16	3.76	2.08	—	—	1.06
FJ5984-1216S	1-1/16-14	16	4.35	2.67	—	—	1.25

FJ3632/EJ3111

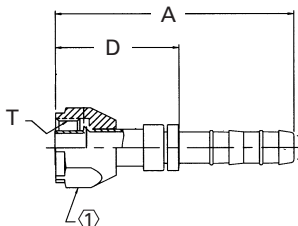


Straight – female O-Ring, (long pilot)

PART NUMBER	TH'D "T"	HOSE SIZE	A REF	D REF	F REF	H REF	① REF
FJ3632-0806S	3/4-16	6	2.91	1.36	—	—	0.88
FJ3632-0606S	5/8-18	6	3.04	1.51	—	—	0.75
FJ3632-0808S	3/4-16	8	3.20	1.66	—	—	0.88
FJ3632-1010S	7/8-14	10	3.63	2.08	—	—	1.06
FJ3632-1012S	7/8-14	12	3.66	2.08	—	—	1.06
FJ3632-1212S	1-1/8-14	12	4.25	2.67	—	—	1.25
EJ3111-1216S	1-1/16-14	16	4.35	2.67	—	—	1.25
EJ3111-1016S*	7/8-14	16	3.76	2.08	—	—	1.06

* MTO (made to order)

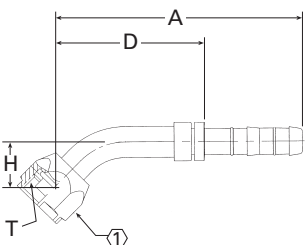
FJ3408



Straight – female O-Ring, metric thread (long pilot)

PART NUMBER	TH'D "T"	HOSE SIZE	A REF	D REF	F REF	H REF	① REF
FJ3408-0808S	M20 x 1.5	8	3.20	1.66	—	—	0.94
FJ3408-0810S	M20 x 1.5	10	3.21	1.66	—	—	0.94
FJ3408-1212S	M27 x 2	12	4.25	2.67	—	—	1.25

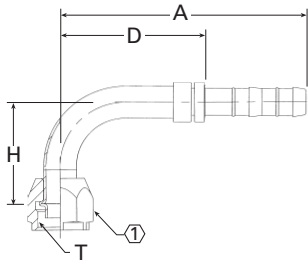
FJ3055



45° Elbow – female O-Ring (short pilot)

PART NUMBER	TH'D "T"	HOSE SIZE	A REF	D REF	F REF	H REF	① REF
FJ3055-01-0606S	5/8-18	6	3.60	2.08	—	0.67	0.75
FJ3055-02-0608S	5/8-18	8	3.62	2.08	—	0.67	0.75
FJ3055-03-0808S	3/4-16	8	3.94	2.40	—	0.73	0.88
FJ3055-04-0810S	3/4-16	10	3.95	2.40	—	0.73	0.88
FJ3055-05-1010S	7/8-14	10	4.37	2.81	—	1.19	1.06
FJ3055-06-1012S	7/8-14	12	4.46	2.88	—	1.25	1.06
FJ3055-07-1212S	1-1/16-14	12	5.33	3.75	—	1.47	1.25
FJ3055-09-1216S	1-1/16-14	16	5.43	3.15	—	1.47	1.25
FJ3055-08-1016S	7/8-14	16	4.56	2.66	—	1.25	1.06

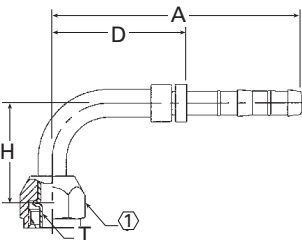
FJ5985



90° elbow – female O-Ring (short pilot)

PART NUMBER	TH'D "T"	HOSE SIZE	A REF	D REF	F REF	H REF	① REF
FJ5985-0606S	5/8-18	6	3.32	1.79	—	1.38	0.75
FJ5985-0608S	5/8-18	8	3.33	1.79	—	1.38	0.75
FJ5985-0806S	3/4-16	6	3.86	2.33	—	1.62	0.88
FJ5985-0808S	3/4-16	8	3.77	2.23	—	1.62	0.88
FJ5985-0810S	3/4-16	10	3.78	2.23	—	1.62	0.88
FJ5985-1010S	7/8-14	10	4.22	2.67	—	1.89	1.06
FJ5985-1012S	7/8-14	12	4.24	2.67	—	1.89	1.06
FJ5985-1210S	1-1/16-14	10	4.76	3.31	—	2.56	1.25
FJ5985-1212S	1-1/16-14	12	4.74	3.16	—	2.56	1.25
FJ5985-1216S	1-1/16-14	16	4.84	3.16	—	2.56	1.25

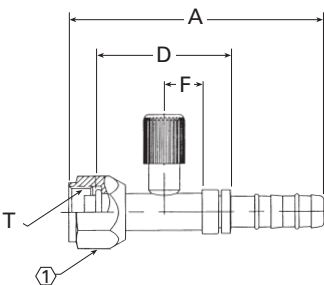
FJ3288



90° female O-Ring (long pilot)

PART NUMBER	TH'D "T"	HOSE SIZE	A REF	D REF	F REF	H REF	① REF
FJ3288-01-0606S	5/8-18	6	3.32	1.79	—	1.38	0.75
FJ3288-02-0808S	3/4-16	8	3.77	2.23	—	1.62	0.88
FJ3288-03-0806S	3/4-16	6	3.75	2.33	—	1.62	0.88
FJ3288-04-0810S	3/4-16	10	3.78	2.23	—	1.62	0.88
FJ3288-06-1216S	1-1/16-14	16	4.84	3.16	—	2.56	1.25
FJ3288-05-1016S	7/8-14	16	4.40	2.72	—	1.89	1.06
FJ3288-07-1012S	7/8-14	12	4.24	2.67	—	1.89	1.06
FJ3288-08-1212S	1-1/16-14	12	4.74	3.16	—	2.56	1.25
FJ3288-11-1010S	7/8-14	16	4.22	2.67	—	1.89	1.06
FJ3288-13-1216S	1-1/16-14	16	4.84	3.16	—	4.33	1.25

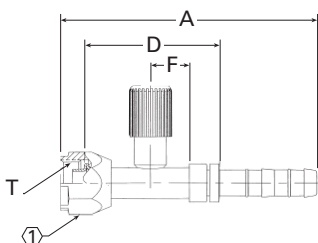
FJ3054



Straight – female O-Ring (short pilot) with R134a low side port

PART NUMBER	TH'D "T"	HOSE SIZE	A REF	D REF	F REF	H REF	① REF
FJ3054-1010S	7/8-14	10	4.24	2.25	0.63	—	1.06
FJ3054-1012S	7/8-14	12	4.27	2.25	0.63	—	1.06
FJ3054-1016	7/8-14	16	4.42	2.30	0.63	—	1.06
FJ3054-1212S	1-1/16-14	12	4.58	2.43	0.54	—	1.25
FJ3054-1216S	1-1/16-14	16	4.68	2.43	0.54	—	1.25

FJ3053

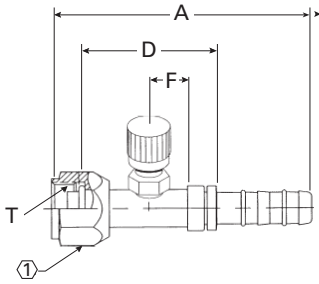


Straight – female O-Ring (short pilot) with R134a high side port

PART NUMBER	TH'D "T"	HOSE	A REF	D REF	F REF	H REF	① REF
FJ3053-0606S	5/8-18	6	3.91	2.10	0.63	—	0.75
FJ3053-0806S	3/4-16	6	4.06	2.26	0.63	—	0.88
FJ3053-0808S	3/4-16	8	4.09	2.16	0.63	—	0.88
FJ3053-0810S	3/4-16	10	4.09	2.16	0.63	—	0.88

EZ Clip system - GH001 Fittings

FJ3162

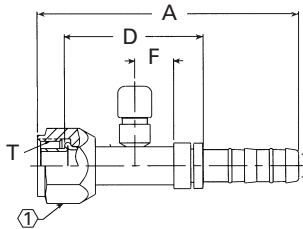


Straight – female O-Ring (long pilot) with switch port (7/16-20 thd)

PART NUMBER	TH'D "T"	HOSE SIZE	A REF	D REF	F REF	H REF	① REF
FJ3162-0808S	3/4-16	8	4.09	2.16	0.79	—	0.88
FJ3162-0810S*	3/4-16	10	4.48	2.53	0.63	—	0.88
FJ3162-1010S	7/8-14	10	4.25	2.25	0.79	—	1.06
FJ3162-1012S	7/8-14	12	4.27	2.25	0.79	—	1.06
FJ3162-1212S	1-1/16-14	12	4.86	2.71	0.79	—	1.25
FJ3162-1016S	7/8-14	16	4.42	2.30	0.79	—	1.06

*Made to order

FJ3416

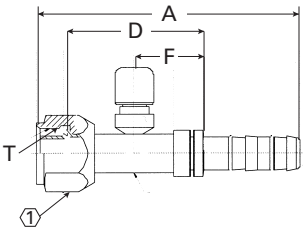


Straight – female O-Ring (long pilot) with switch port (M10 X 1.25)

PART NUMBER	TH'D "T"	HOSE SIZE	A REF	D REF	F REF	H REF	① REF
FJ3416-01-1010S	7/8-16	10	4.25	2.25	0.63	—	1.06
FJ3416-02-0808S*	7/8-16	8	4.46	2.53	0.63	—	0.88

*Made to order

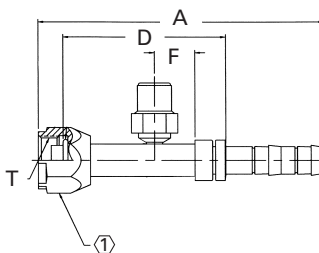
FJ3461



Straight – female O-Ring (long pilot) with switch port (M12 X 1.25)

PART NUMBER	TH'D "T"	HOSE SIZE	A REF	D REF	F REF	H REF	① REF
FJ3461-01-1010S	7/8-14	10	4.25	2.25	0.63	—	1.06
FJ3461-02-1012S	7/8-14	12	4.27	2.25	0.63	—	1.06
FJ3461-03-1212S	1-1/16-14	12	4.86	2.71	0.54	—	1.25

EJ3299

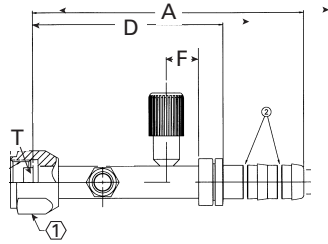


Straight - female O-Ring (short pilot) with switch port (M12 X 1.25)

PART NUMBER	TH'D "T"	HOSE SIZE	A REF	D REF	F REF	H REF	① REF
EJ3299-01-0808S	3/4-16	8	4.46	2.53	0.63	—	.88

*Made to order

FJ3363

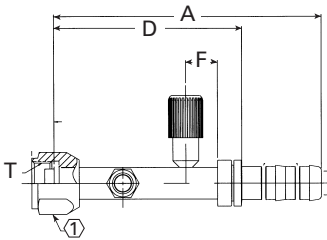


Straight – female O-Ring (short pilot) with R134a high side port and female switch connection, (1/8-27 thd)

PART NUMBER	TH'D "T"	HOSE SIZE	A REF	D REF	F REF	H REF	① REF
FJ3363-03-0808S*	3/4-16	8	5.16	3.62	0.63	—	0.88
FJ3363-02-0810S*	3/4-16	10	5.54	3.62	0.63	—	0.88

*Made to order

FJ3363

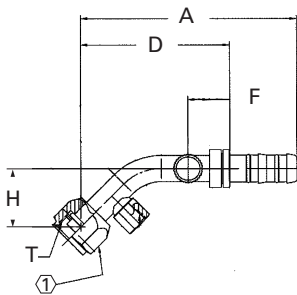


Straight – female O-Ring (short pilot) with R134a low side port and female switch connection, (1/8-27 thd)

PART NUMBER	TH'D "T"	HOSE SIZE	A REF	D REF	F REF	H REF	① REF
FJ3363-01-1012S*	7/8-14	12	5.130	3.72	0.63	—	1.06

*Made to order

FJ3365

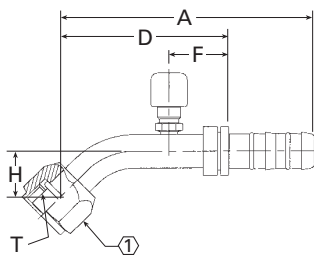


45° female O-Ring (short pilot) with R134a low side port and switch port (1/8-27 thd)

PART NUMBER	TH'D "T"	HOSE SIZE	A REF	D REF	F REF	H REF	① REF
FJ3365-01-1012S*	7/8-14	12	5.09	3.51	0.50	1.43	1.13

*Made to order

FJ3230



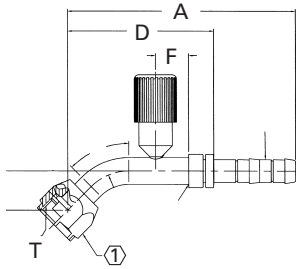
45° female O-Ring (long pilot) with switch port (7/16-20 thd)

PART NUMBER	TH'D "T"	HOSE SIZE	A REF	D REF	F REF	H REF	① REF
FJ3230-01-0810S	3/4-16	10	4.61	3.06	0.63	0.80	0.88
FJ3230-02-1012S	7/8-16	12	4.73	3.15	0.63	0.89	1.06
FJ3230-03-0808S	3/4-16	8	4.43	4.93	0.63	0.73	0.88
FJ3230-04-1010S	7/8-14	10	5.00	3.45	0.63	1.19	1.06
FJ3230-05-1016S	7/8-14	16	4.88	3.15	0.63	0.89	1.06
FJ3230-06-1216S	1-1/16-14	16	5.65	3.45	1.04	1.36	1.25

*Made to order

EZ Clip system: GH001 Fittings

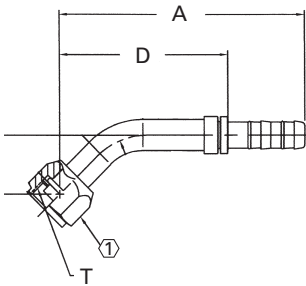
EJ3410



45° female O-Ring (short pilot) with R134a high side port

PART NUMBER	TH'D "T"	HOSE SIZE	A REF	D REF	F REF	H REF	① REF
FEJ3410-0808S	3/4-16	8	4.3	2.76	0.62	0.73	0.88

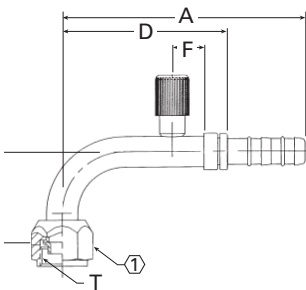
EJ3543



45° female O-Ring (short pilot) with R134a low side port (rotated 270°)

PART NUMBER	TH'D "T"	HOSE SIZE	A REF	D REF	F REF	H REF	① REF
EJ3543-1010S	7/8-14	10	4.99	3.44	0.52	1.19	1.06

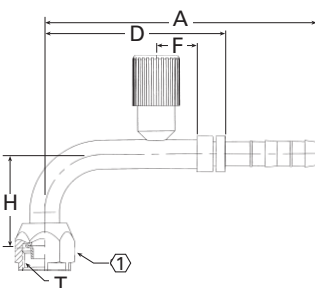
FJ3012



90° female O-Ring (short pilot) with R134a low side port

PART NUMBER	TH'D "T"	HOSE SIZE	A REF	D REF	F REF	H REF	① REF
FJ3012-02-1010S	7/8-14	10	4.88	3.33	0.63	1.89	1.06
FJ3012-01-1012S	7/8-14	12	4.83	3.25	0.63	1.89	1.06
FJ3012-03-1212S	1-1/16-14	12	5.1	3.52	0.63	2.56	1.25
FJ3012-04-1216S	1-1/16-14	16	5.2	3.52	0.63	2.56	1.25
FJ3012-05-1016S	7/8-14	16	5.2	3.52	0.63	1.89	1.06

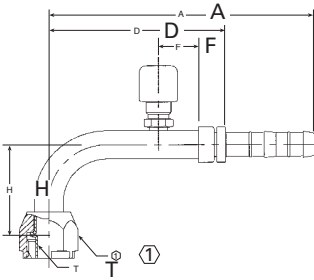
FJ3013/EJ3302



90° female O-Ring (short pilot) with R134a high side port

PART NUMBER	TH'D "T"	HOSE SIZE	A REF	D REF	F REF	H REF	① REF
FJ3013-02-0606S	5/8-18	6	4.35	2.82	0.63	1.38	0.75
FJ3013-03-0808S	3/4-16	8	4.61	3.07	0.69	1.62	0.88
FJ3013-01-0810S	3/4-16	10	4.53	2.98	0.69	1.62	0.88
FJ3013-06-1010S	7/8-14	10	4.29	3.24	0.94	2.37	1.06
EJ3302-01-0608S	M18 x 1.5	8	4.36	2.82	0.94	1.38	0.88
EJ3302-02-0808S	M20 x 1.5	8	4.52	2.98	0.69	1.62	0.94

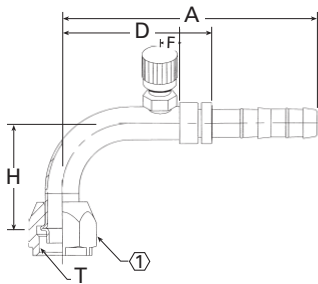
FJ3289



90° female O-Ring (long pilot) with charge port (7/16-20 thd)

PART NUMBER	TH'D "T"	HOSE SIZE	A REF	D REF	F REF	H REF	① REF
FJ3289-03-0606S	5/8-18	6	4.35	2.82	0.69	1.35	0.75
FJ3289-01-0808S	3/4-16	8	4.61	2.59	0.69	1.62	0.88
FJ3289-02-1010S	7/8-14	10	4.8	2.77	0.63	1.93	1.06
FJ3289-04-0810S	3/4-16	10	4.62	2.59	0.69	1.62	0.88
FJ3289-05-1012S	7/8-14	12	4.82	2.77	0.63	1.93	1.06
FJ3289-06-1216S	1-1/16-14	16	4.83	3.25	0.63	1.93	1.25

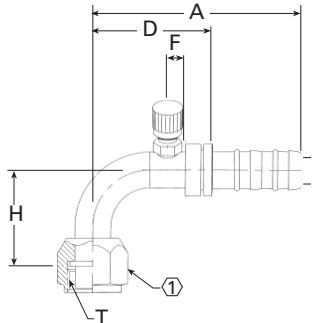
FJ3163



90° elbow – female O-Ring (short pilot) with charge port (7/16-20 thd)

PART NUMBER	TH'D "T"	HOSE SIZE	A REF	D REF	F REF	H REF	① REF
FJ3163-01-1010S	7/8-14	10	4.80	3.25	0.79	1.89	1.06
FJ3163-02-1212S	1-1/16-14	12	5.08	3.50	0.79	2.56	1.25

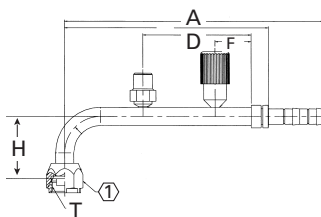
FJ3047



90° female O-Ring (long pilot) with charge port (7/16-20 thd) – 45° port rotation

PART NUMBER	TH'D "T"	HOSE SIZE	A REF	D REF	F REF	H REF	① REF
FJ3047-1012S	7/8-14	12	4.06	2.48	0.50	1.69	1.06
FJ3047-1016S	7/8-14	16	4.21	2.53	0.50	1.69	1.06

EJ3298

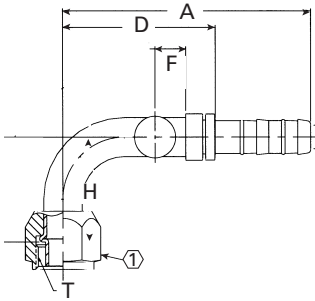


90° female O-Ring (short pilot) with R134a high side port and a switch port (M10 x 1.25)

PART NUMBER	TH'D "T"	HOSE SIZE	A REF	D REF	F REF	H REF	① REF
EJ3298-01-0808S	3/4-16	8	7.22	5.67	1	1.71	0.88

EZ Clip system: GH001 Fittings

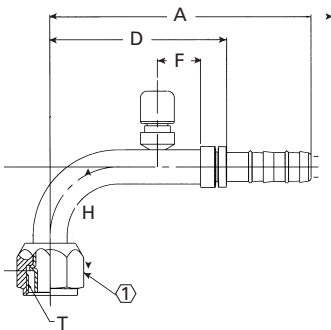
FJ3444



90° female O-Ring (long pilot) with charge port (7/16-20 thd) – 90° port rotation

PART NUMBER	TH'D "T"	HOSE SIZE	A REF	D REF	F REF	H REF	① REF
FJ3444-1010S	7/8-14	10	4.03	2.48	.50	1.69	1.06

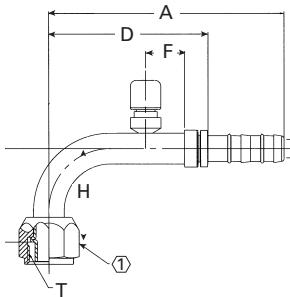
FJ3460



90° female O-Ring (long pilot) with switch port (M12 X 1.5)

PART NUMBER	TH'D "T"	HOSE SIZE	A REF	D REF	F REF	H REF	① REF
FJ3460-01-1010S	7/8-14	10	4.80	3.25	0.79	1.89	1.06
FJ3460-02-1012S	7/8-14	12	4.83	3.25	0.79	1.89	1.06
FJ3460-03-1212S	1-1/16-14	12	5.08	3.50	.54	2.56	1.25

EJ3297

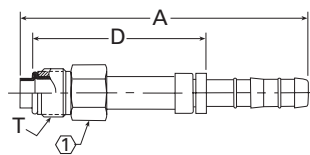


90° female O-Ring (short pilot) with switch port (M10 X 1.25)

PART NUMBER	TH'D "T"	HOSE SIZE	A REF	D REF	F REF	H REF	① REF
EJ3297-01-0808S*	3/4-16	8	4.16	2.62	0.87	1.68	0.88

*Made to order

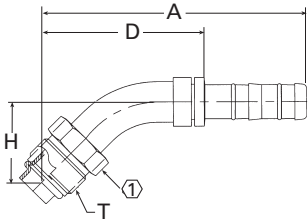
FJ3052



Straight male O-Ring (short pilot)

PART NUMBER	TH'D "T"	HOSE SIZE	A REF	D REF	F REF	H REF	① REF
FJ3052-0606S	5/8-18	6	3.41	1.70	—	—	0.62
FJ3052-0608S	5/8-18	8	3.43	1.70	—	—	0.62
FJ3052-0808S	3/4-18	8	4.37	2.64	—	—	0.75
FJ3052-0810S	3/4-18	10	4.38	2.64	—	—	0.75
FJ3052-1010S	7/8-18	10	3.66	1.92	—	—	0.88
FJ3052-1012S	7/8-18	12	3.68	1.92	—	—	0.88
FJ3052-1212S	1-1/16-16	12	3.68	1.92	—	—	1.06
FJ3052-1016S	7/8-18	16	4.33	2.47	—	—	0.88
FJ3052-1216S	1-1/16-16	16	4.28	2.42	—	—	1.06

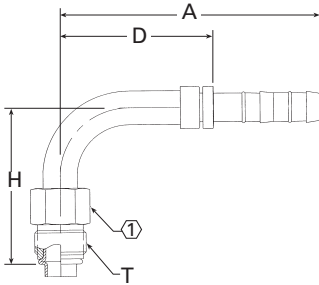
FJ3116



45° male O-Ring (short pilot)

PART NUMBER	TH'D "T"	HOSE SIZE	A REF	D REF	F REF	H REF	① REF
FJ3116-01-0606S	5/8-18	6	3.99	2.47	—	0.94	0.62
FJ3116-04-0608S	5/8-18	8	4.01	2.47	—	0.94	0.62
FJ3116-03-0808S	3/4-18	8	4.59	2.83	—	1.20	0.75
FJ3116-02-1010S	7/8-18	10	4.65	3.10	—	1.46	0.88
FJ3116-05-1012S	7/8-18	12	4.68	3.10	—	1.47	0.88
FJ3116-06-1212S	1 1/16-16	12	4.90	3.32	—	1.53	1.06
FJ3116-07-1216S	1-1/16-16	16	4.68	2.89	—	1.53	1.06
FJ3116-08-1016S	7/8-18	16	4.78	3.10	—	1.47	0.88

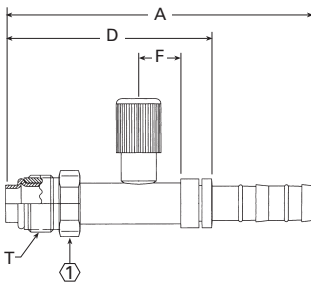
FJ3019



90° male O-Ring (short pilot)

PART NUMBER	TH'D "T"	HOSE SIZE	A REF	D REF	F REF	H REF	① REF
FJ3019-03-0606S	5/8-18	6	3.33	1.80	—	1.77	0.62
FJ3019-02-0608S	5/8-18	8	3.34	1.80	—	1.77	0.62
FJ3019-04-0808S	3/4-18	8	3.77	2.23	—	2.31	0.75
FJ3019-06-0810S	3/4-18	10	3.78	2.23	—	2.31	0.75
FJ3019-01-1012S	7/8-18	12	4.24	2.67	—	2.45	0.88
FJ3019-05-1212S	1-1/16-16	12	4.22	2.64	—	2.79	1.06
FJ3019-07-1010S	7/8-18	10	4.22	2.67	—	2.45	0.88
FJ3019-09-1216S	1-1/16-16	16	4.32	2.74	—	2.79	1.06
FJ3019-10-1016S	7/8-18	16	4.20	3.03	—	2.45	0.88

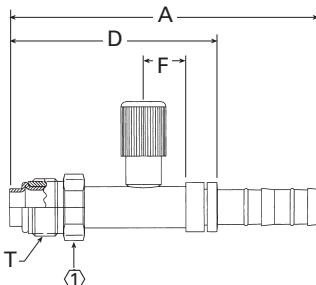
FJ3132



Straight male O-Ring (short pilot) with R134a low side port

PART NUMBER	TH'D "T"	HOSE SIZE	A REF	D REF	F REF	H REF	① REF
FJ3132-01-1010S	7/8-18	10	4.43	2.70	0.63	—	0.88
FJ3132-02-1012S	7/8-18	12	4.46	2.70	0.63	—	0.88

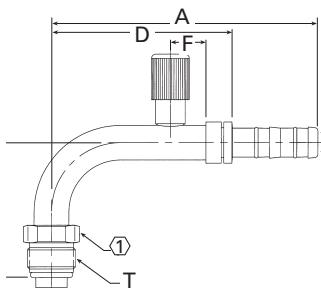
FJ3131



Straight male O-Ring (short pilot) with R134a high side port

PART NUMBER	TH'D "T"	HOSE SIZE	A REF	D REF	F REF	H REF	① REF
FJ3131-01-0606S	5/8-18	6	4.18	2.47	0.63	—	0.62
FJ3131-02-0808S	3/4-18	8	4.58	2.85	0.63	—	0.75
FJ3131-03-1010S	7/8-18	10	4.34	2.61	0.63	—	0.88

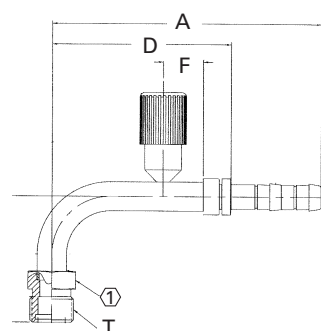
FJ3134



90° elbow male O-Ring (short pilot) with R134a high side port

PART NUMBER	TH'D "T"	HOSE SIZE	A REF	D REF	F REF	H REF	① REF
FJ3134-02-0808S	3/4-18	8	4.61	3.07	0.63	2.31	0.75
FJ3134-03-1010S	7/8-18	10	4.81	3.25	0.63	2.34	0.88

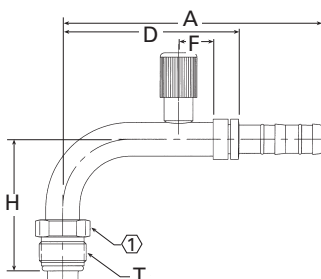
FJ3611



90° elbow male MIO with R134a high side port

PART NUMBER	TH'D "T"	HOSE SIZE	A REF	D REF	F REF	H REF	① REF
FJ3611-01-0808S	3/4-16	8	4.61	3.07	0.69	2.17	

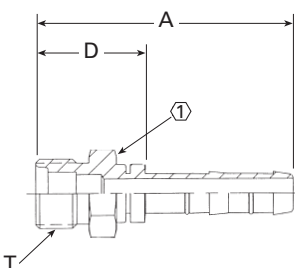
FJ3135



90° elbow male O-Ring (short pilot) with R134a low side port

PART NUMBER	TH'D "T"	HOSE SIZE	A REF	D REF	F REF	H REF	① REF
FJ3135-02-1012S	7/8-18	12	4.81	3.25	0.63	2.34	0.88

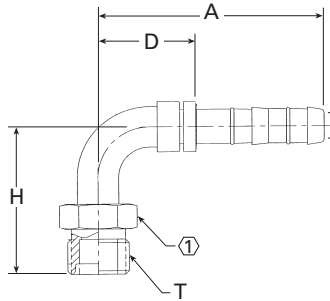
FJ3026



Male MIO (male insert O-Ring) straight

PART NUMBER	TH'D "T"	HOSE SIZE	A REF	D REF	F REF	H REF	① REF
FJ3026-0606S	5/8-18	6	3.36	1.83	—	—	0.690
FJ3026-0808S	3/4-16	8	2.69	1.15	—	—	0.810
FJ3026-1010S	7/8-14	10	2.90	1.35	—	—	0.940
FJ3026-1012S	7/8-14	12	4.11	2.50	—	—	0.940
FJ3026-1212S	1-1/16-14	12	4.29	2.71	—	—	1.125

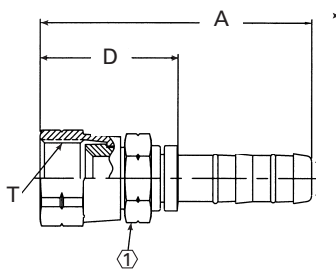
FJ3056



90° male MIO – (male insert O-Ring)

PART NUMBER	TH'D "T"	HOSE SIZE	A REF	D REF	F REF	H REF	① REF
FJ3056-01-0606S	5/8-18	6	2.50	0.98	—	1.44	0.69
FJ3056-02-0808S	3/4-16	8	2.74	1.20	—	1.82	0.81
FJ3056-03-1010S	7/8-14	10	3.09	1.54	—	2.13	0.94
FJ3056-04-0810S	3/4-16	10	2.75	1.20	—	1.82	0.81
FJ3056-05-0608S	5/8-18	8	2.52	0.98	—	1.44	0.69

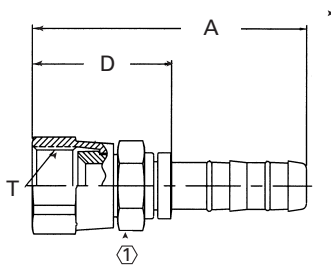
FJ3057



Female SAE 45° flares

PART NUMBER	TH'D "T"	HOSE SIZE	A REF	D REF	F REF	H REF	① REF
FJ3057-01-0606S	5/8-18	6	2.88	1.35	—	—	0.56
FJ3057-08-0806S	3/4-16	6	2.94	1.42	—	—	0.69
FJ3057-02-0608S	5/8-18	8	3.14	1.62	—	—	0.75
FJ3057-03-0808S	3/4-16	8	2.96	1.42	—	—	0.69
FJ3057-04-0810S	3/4-16	10	3.56	2.02	—	—	0.88
FJ3057-05-1010S	7/8-14	10	3.63	2.08	—	—	1.00
FJ3057-06-1012S	7/8-14	12	3.66	2.08	—	—	1.00
FJ3057-07-1212S	1-1/16-14	12	3.20	1.62	—	—	1.25

FJ3731/FJ3508

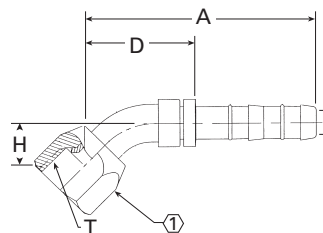


Straight – female 37° flares

PART NUMBER	TH'D "T"	HOSE SIZE	A REF	D REF	F REF	H REF	① REF
FJ3731-0404S	7/16-20	4	2.75	2.08	—	—	0.56
FJ3731-0606S	9/16-18	6	3.66	2.13	—	—	0.68
FJ3731-0808S	3/4-16	8	4.35	2.81	—	—	0.88
FJ3731-1010S	7/8-14	10	4.21	2.66	—	—	1.00
FJ3731-1212S	1-1/16-12	12	4.62	3.04	—	—	1.25
FJ3731-1616S	1-5/16-12	16	5.99	4.31	—	—	1.50
FJ3508-0404C	7/16-20	4	1.87	1.20	—	—	0.56
FJ3508-0808C	3/4-16	8	2.96	1.42	—	—	0.88
FJ3058-1010C	7/8-14	10	3.15	1.59	—	—	1.00
FJ3058-1616C	1-15/16-12	16	3.50	1.82	—	—	1.50

Items ending in "C" are stainless

EJ3534

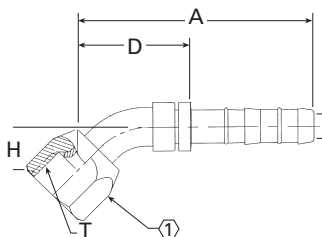


45° female JIC 37° flare

PART NUMBER	TH'D "T"	HOSE SIZE	A REF	D REF	F REF	H REF	① REF
EJ3534-02-0606S	9/16-18	6	3.31	1.79	—	0.74	1.00
EJ3534-03-0608S	9/16-18	8	3.76	3.32	—	1.10	0.68
EJ3534-04-0808S	3/4-16	8	4.04	2.49	—	1.10	0.88
EJ3534-05-1010S	7/8-14	10	4.21	2.66	—	1.27	1.25
EJ3534-06-1212S	1-1/16-12	12	4.30	2.73	—	1.33	1.50
EJ3534-07-1616S	1-5/16-12	16	5.46	3.79	—	1.92	1.50
EJ3534-01-0404S	7/16-20	4	2.37	1.70	—	0.63	0.56

EZ Clip system - GH001 Fittings

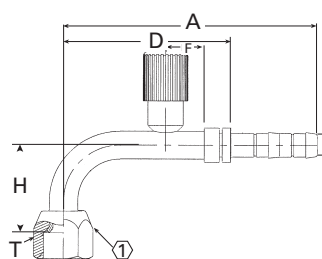
FJ3059



45° female SAE 45° and universal flares

PART NUMBER	TH'D "T"	HOSE SIZE	A REF	D REF	F REF	H REF	① REF
FJ3059-0404S*	7/16-20	4	1.57	0.91	—	0.33	0.56
FJ3059-01-0606S†	5/8-18	6	2.61	1.08	—	0.39	0.75
FJ3059-02-0608S†	5/8-18	8	2.62	1.08	—	0.39	0.75
FJ3059-03-0808S*	3/4-16	8	2.97	1.43	—	0.55	0.88
FJ3059-04-0810S*	3/4-16	10	2.98	1.43	—	0.55	0.88
FJ3059-05-1010S*	7/8-14	10	3.08	1.53	—	0.63	1.00
FJ3059-06-1012S*	7/8-14	12	3.11	1.53	—	0.63	1.00

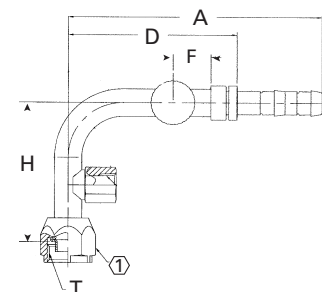
FJ3133



90° female SAE 45° with high side charge port (R134a)

PART NUMBER	TH'D "T"	HOSE SIZE	A REF	D REF	F REF	H REF	① REF
FJ3133-01-0606S	5/8-18	6	4.35	2.82	0.63	1.28	0.75
FJ3133-02-0808S	3/4-16	8	4.61	3.07	0.63	1.53	0.88
FJ3133-03-1010S	7/8-14	10	4.80	3.25	0.63	1.84	0.88

FJ3366

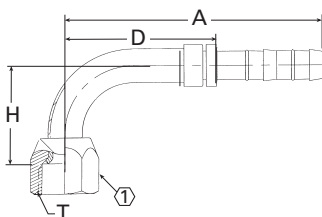


SAE 90° and with R134a C/port and switch port (1/8-27 thd)

PART NUMBER	TH'D "T"	HOSE SIZE	A REF	D REF	F REF	H REF	① REF
FJ3366-01-0810S*	3/4-16	10	4.62	3.07	0.69	2.53	0.875
FJ3366-02-0808S*	3/4-16	8	4.61	3.07	0.69	2.53	0.875

* MTO (made to order)

FJ3149



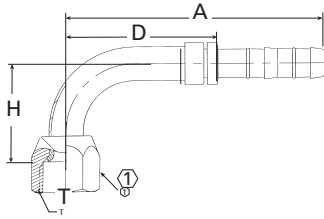
90° female SAE 45° and universal flares

PART NUMBER	TH'D "T"	HOSE SIZE	A REF	D REF	F REF	H REF	① REF
FJ3149-0404S*	7/16-20	4	1.47	0.80	—	0.68	0.56
FJ3149-01-0606S†	5/8-18	6	2.51	0.98	—	0.85	0.75
FJ3149-02-0608S†	5/8-18	8	2.52	0.98	—	0.85	0.75
FJ3149-03-0808S*	3/4-16	8	2.74	1.20	—	1.09	0.88
FJ3149-04-1010S*	7/8-14	10	3.09	1.54	—	1.19	1.00
FJ3149-05-1012S*	7/8-14	12	3.09	1.54	—	1.19	1.00
FJ3149-06-1212S†	1-1/16-14	12	3.68	2.11	—	1.80	1.25
FJ3149-07-0810S*	7/8-14	10	2.83	1.30	—	1.09	0.88

† Double notch in nut for universal type identification

* Universal flare

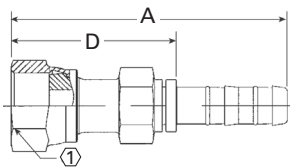
EJ3533



90° female JIC 37° flare

PART NUMBER	TH'D "T"	HOSE SIZE	A REF	D REF	F REF	H REF	① REF
EJ3533-02-0606S	9/16-18	6	3.27	1.74	—	1.69	0.69
EJ3533-03-0608S	9/16-18	8	3.28	1.74	—	1.69	0.69
EJ3533-04-0808S	3/4-16	8	3.14	1.60	—	1.77	0.88
EJ3533-05-1010S	7/8-14	10	3.78	2.23	—	2.59	1.00
EJ3533-06-1212S	1 1/16-12	12	4.11	2.53	—	3.02	1.25
EJ3533-07-1616S	1 5/16-12	16	5.16	3.48	—	3.86	1.50
EJ3533-01-0404S	7/16-20	4	2.09	1.42	—	1.21	0.56

GA23911

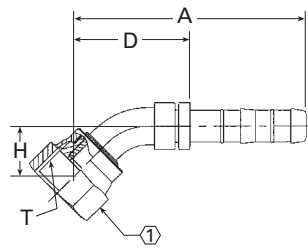


Straight - ORS female swivel metric hex nut

PART NUMBER	TH'D "T"	HOSE SIZE	A REF	D REF	F REF	H REF	① REF
GA23911-4-4*	9/16-18	4	1.86	1.19	—	—	17mm
GA23911-6-6*	1-1/16-16	6	2.95	1.43	—	—	22mm
GA23911-8-8*	1-3/16-16	8	3.17	1.62	—	—	24mm
GA23911-10-12*	1-14	12	3.32	1.74	—	—	30mm
GA23911-10-10*	1-14	10	3.33	1.78	—	—	30mm
GA23911-12-12*	1-3/16-12	12	3.32	1.52	—	—	41mm
GA23911-16-16*	1-5/16-12	16	3.30	1.52	—	—	41mm

* GA Part numbers have a metric hex

FJ3161/GA23912

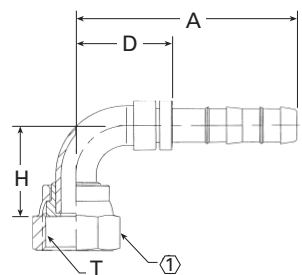


45° ORS female swivel

PART NUMBER	TH'D "T"	HOSE SIZE	A REF	D REF	F REF	H REF	① REF
FJ3161-05-0404S	9/16-18	4	1.86	1.01	—	0.41	0.69
FJ3161-01-0606S	11/16-16	6	2.65	1.12	—	0.44	0.81
FJ3161-02-0808S	13/16-16	8	3.02	1.47	—	0.59	0.94
FJ3161-03-1010S	1-14	10	3.22	1.67	—	0.70	1.13
FJ3161-04-1008S	1-14	8	3.32	1.78	—	0.70	1.13
GA23912-10-8*	1-14	8	3.50	1.96	—	0.68	30mm
GA23912-12-12*	1-3/16-12	12	4.23	2.65	—	0.83	36mm
F3161-08-0810S	13/16-16	10	3.02	1.47	—	0.59	0.940
GA23912-10-10*	1-14	10	3.77	2.22	—	0.68	30mm
GA23912-8-8*	13/16-16	8	3.43	1.89	—	0.59	30mm

* GA Part numbers have a metric hex

FJ5994/GA23913



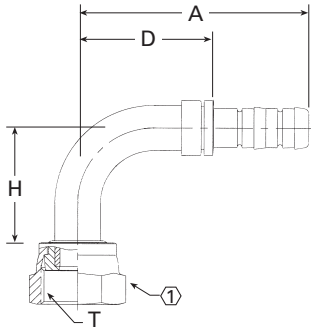
90° ORS female swivel

PART NUMBER	TH'D "T"	HOSE SIZE	A REF	D REF	F REF	H REF	① REF
FJ5994-01-0606S	1-1/16-16	6	2.50	0.98	—	0.91	0.81
FJ5994-02-0808S	13/16-16	8	2.74	1.20	—	1.15	0.94
FJ5994-04-1010S	1-14	10	3.09	1.53	—	1.27	1.12
FJ5994-03-1212S	1-3/16-12	12	3.36	1.78	—	1.90	1.38
FJ5994-05-0406S	9/16-18	6	2.44	0.92	—	0.82	0.69
FJ5994-05-1012S	1-14	12	3.11	1.53	—	1.78	1.13
FJ5994-07-0806S	13/16-16	6	2.66	1.10	—	1.15	0.94
FJ5994-09-1016S	1-14	16	3.30	1.62	—	1.78	1.125
GA23913-4-4*	9/16-18	4	2.04	1.37	—	0.82	17mm
GA23913-10-12*	1-14	12	3.67	2.10	—	1.54	30mm

* GA Part numbers have a metric hex

EZ Clip system - GH001 Fittings

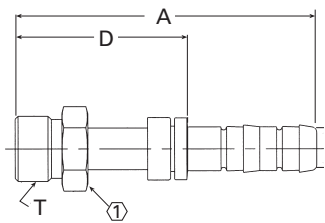
FJ3319



90° ORS female swivel (long drop)

PART NUMBER	TH'D "T"	HOSE SIZE	A REF	D REF	F REF	H REF	① REF
FJ3319-1212S	1-3/16-12	12	3.82	2.24	—	2.38	1.13

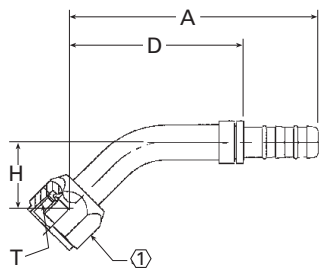
FJ3136



Straight male O-Ring (rigid) metric thread

PART NUMBER	TH'D "T"	HOSE SIZE	A REF	D REF	F REF	H REF	① REF
FJ3136-0810S	M20 x 1.5	10	3.62	2.07	0.69	—	0.88

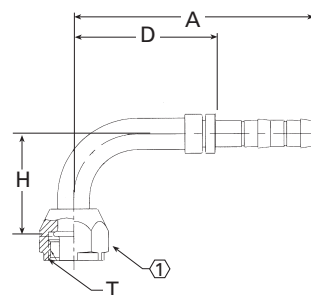
FJ3192



45° female O-Ring (long pilot) metric thread

PART NUMBER	TH'D "T"	HOSE SIZE	A REF	D REF	F REF	H REF	① REF
FJ3192-02-1212S	M27x2	12	4.74	3.17	—	1.47	1.25

FJ3111/FJ3409



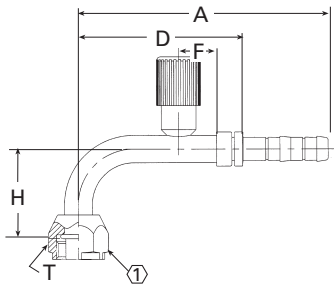
90° female O-Ring (long pilot) metric thread

PART NUMBER	TH'D "T"	HOSE SIZE	A REF	D REF	F REF	H REF	① REF
FJ3111-01-0808S	M20 x 1.5	8	3.77	2.23	—	1.62	0.94
FJ3111-02-0810S	M20 x 1.5	10	3.78	2.23	—	1.62	0.94
FJ3111-03-0806S*	M20 x 1.5	6	3.75	2.23	—	1.62	0.94
FJ3409-1210S	M27 x 2	10	4.81	3.25	—	2.56	1.25
FJ3409-1212S	M27 x 2	12	4.74	3.16	—	2.56	1.25

* MTO (made to order)

FJ3892

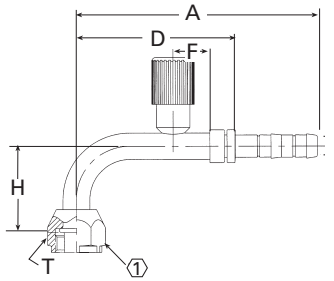
90° female O-Ring (long pilot) with R134a low side port (metric thread)



PART NUMBER	TH'D "T"	HOSE SIZE	A REF	D REF	F REF	H REF	① REF
FJ3892-01-1010S	M24 x 1.5	10	4.88	3.33	.63	1.89	1.125

FJ3112

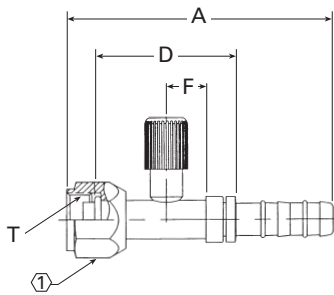
90° female O-Ring (long pilot) metric thread with high side charge port (R134a)



PART NUMBER	TH'D "T"	HOSE SIZE	A REF	D REF	F REF	H REF	① REF
FJ3112-01-0808S	M20 x 1.5	8	4.52	2.98	0.69	1.62	0.94
FJ3112-02-0810S	M20 x 1.5	10	4.53	2.98	0.69	1.62	0.94
FJ3112-03-0806S	M20 x 1.5	6	4.50	2.98	0.69	1.62	0.94
FJ3112-03-1010S	M24 x 1.5	10	4.88	3.33	0.63	1.89	1.125

FJ3890/FJ3301

Straight – female O-Ring (long pilot) with R134a high side port (metric thread)

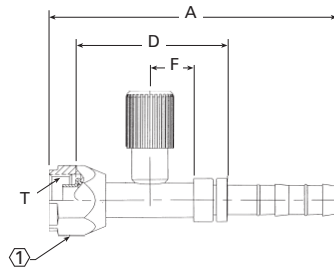


PART NUMBER	TH'D "T"	HOSE SIZE	A REF	D REF	F REF	H REF	① REF
FJ3890-01-0806S	M20 x 1.5	6	4.06	2.16	0.63	—	0.94
FJ3301-01-0606S*	M18 x 1.5	6	3.91	2.10	0.63	—	0.94

* MTO (made to order)

FJ3891

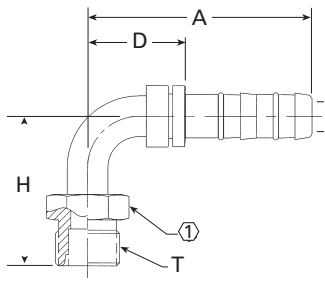
Straight – female O-Ring (long pilot) with R134a low side port (metric thread)



PART NUMBER	TH'D "T"	HOSE SIZE	A REF	D REF	F REF	H REF	① REF
FJ3891-01-1010S	M24 x 1.5	10	4.24	2.25	0.62	1.62	1.125

EZ Clip system - GH001 Fittings

FJ3113

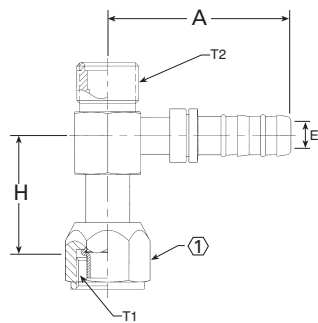


90° male O-Ring (rigid) metric thread

PART NUMBER	TH'D "T"	HOSE SIZE	A REF	D REF	F REF	H REF	① REF
FJ3113-0810S	M20 x 1.5	10	2.75	1.20	—	1.82	0.88

* MTO (made to order)

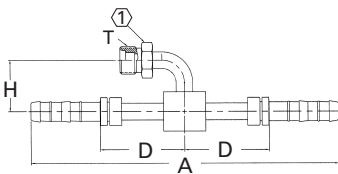
FJ3067/FJ3495



GM tie in – metric tee

PART NUMBER	TH'D "T"	HOSE SIZE	A REF	D REF	F REF	H REF	① REF
FJ3067-1212S*	M27 x 2	12	3.12	—	—	2.02	1.25
FJ3495-0808S	M20 x 1.5	8	2.71	—	—	1.68	0.94

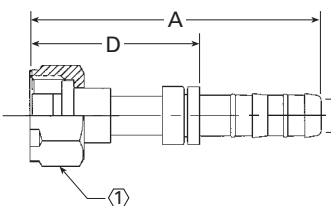
EJ3158



Tee style fitting with male O-Ring connection

PART NUMBER	TH'D "T"	HOSE SIZE	A REF	D REF	F REF	H REF	① REF
EJ3158-101212S	7/8-14	12	5.67	1.26	—	1.49	0.94
EJ3158-121616S	1-1/16-14	16	6.79	1.72	—	2.13	1.13
EJ3158-060808S	5/8-18	8	6.86	1.88	—	1.14	0.69
EJ3158-080808S	3/4-16	8	6.86	1.89	—	1.39	0.81

FJ3274

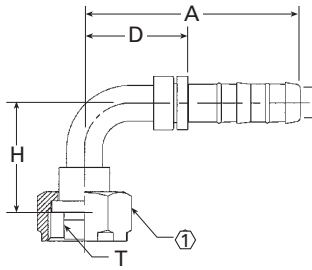


Straight – female Rotalok

PART NUMBER	TH'D "T"	HOSE SIZE	A REF	D REF	F REF	H REF	① REF
FJ3274-1010S	1-14	10	3.69	2.14	—	—	1.13
FJ3274-1012S*	1-14	12	3.75	2.14	—	—	1.13

* MTO (made to order)

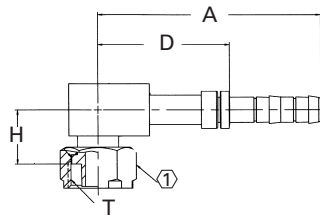
FJ3225



90° female Rotalok

PART NUMBER	TH'D "T"	HOSE SIZE	A REF	D REF	F REF	H REF	① REF
FJ3225-1010S	1-14	10	2.98	1.43	—	1.52	1.13
FJ3225-1008S	1-14	8	2.98	1.43	—	1.52	1.13
FJ3225-1012S	1-14	12	3.11	1.54	—	1.62	1.13

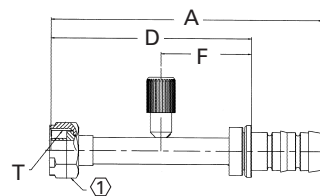
EJ3321



Short drop 90° female Rotalok

PART NUMBER	TH'D "T"	HOSE SIZE	A REF	D REF	F REF	H REF	① REF
EJ3321-1008S	1-14	8	3.62	2.07	—	0.91	1.13
EJ3321-1012S	1-14	12	3.87	2.29	—	0.91	1.13

EJ3421/EJ3422

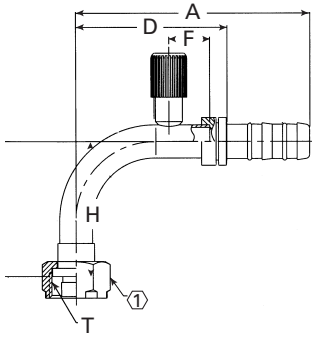


Female Rotalok with R134 port

PART NUMBER	TH'D "T"	HOSE SIZE	A REF	D REF	F REF	H REF	① REF
EJ3421-1012S	1-14	12	6.44	4.86	2.17	High	1.13
EJ3422-1016S	1-14	16	6.45	4.77	2.15	Low	1.13

EZ Clip system - GH001 Fittings

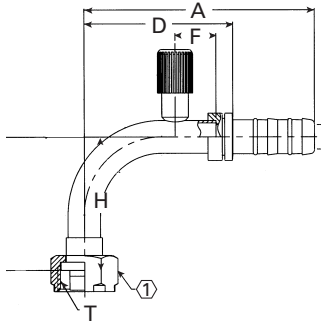
FJ3510



90° female Rotalok with R134a low side port

PART NUMBER	TH'D "T"	HOSE SIZE	A REF	D REF	F REF	H REF	① REF
FJ3510-1012S	1-14	12	4.48	2.88	.79	2.58	1.13

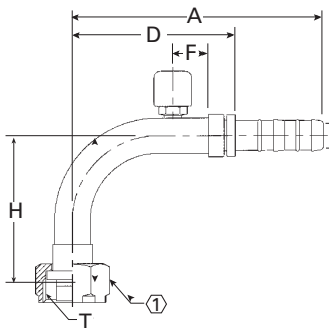
FJ3511



90° female Rotalok with R134a high side port

PART NUMBER	TH'D "T"	HOSE SIZE	A REF	D REF	F REF	H REF	① REF
FJ3511-1010S	1-14	10	4.43	2.88	.79	2.58	1.13

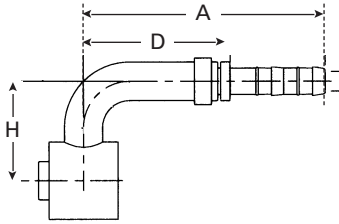
FJ3226



90° female Rotalok with switch port (7/16-20 thread)

PART NUMBER	TH'D "T"	HOSE SIZE	A REF	D REF	F REF	H REF	① REF
FJ3226-1010S	1-14	10	4.43	2.88	0.63	2.56	1.13

FJ3568

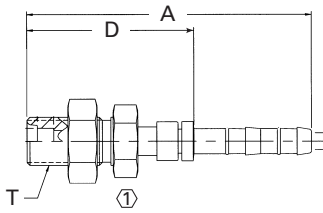


90° GM block style

PART NUMBER	TH'D "T"	HOSE SIZE	A REF	D REF	F REF	H REF	① REF
FJ3568-1008S*	—	8	3.92	2.38	—	1.60	—
FJ3568-1010S*	—	10	3.83	2.28	—	2.31	—
FJ3568-1012S*	—	12	3.86	2.28	—	2.38	—

* MTO (made to order)

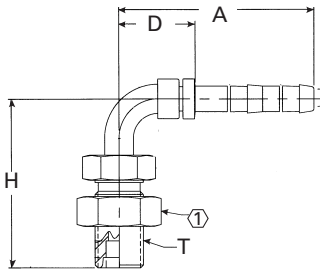
FJ3513



Straight bulkhead

PART NUMBER	TH'D "T"	HOSE SIZE	A REF	D REF	F REF	H REF	① REF
FJ3513-0606S	5/8-18	6	3.69	2.16	—	—	0.94
FJ3513-0808S	3/4-16	8	3.93	2.39	—	—	1.0
FJ3513-1010S	7/8-14	10	4.49	2.94	—	—	1.13
FJ3513-1212S	1-1/16-14	12	4.83	3.24	—	—	1.38
FJ3513-1216S	1-1/16-14	16	4.92	3.24	—	—	1.38

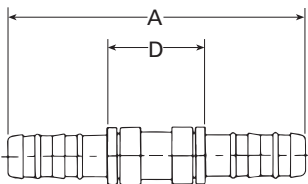
FJ3514



90° male bulkhead

PART NUMBER	TH'D "T"	HOSE SIZE	A REF	D REF	F REF	H REF	① REF
FJ3514-0606S	5/8-18	6	2.50	0.98	—	2.15	0.94
FJ3514-0808S	3/4-16	8	2.74	1.20	—	2.61	1.00
FJ3514-0608S	5/8-18	8	2.52	0.98	—	2.15	0.94
FJ3514-1010S	7/8-14	10	3.08	1.53	—	3.26	1.13
FJ3514-1012S	7/8-14	12	3.11	1.53	—	3.26	1.13
FJ3514-1212S	1-1/16-14	12	3.69	2.11	—	3.78	1.38
FJ3514-1216S	1-1/16-14	16	3.79	2.12	—	3.8	1.06

FJ3045

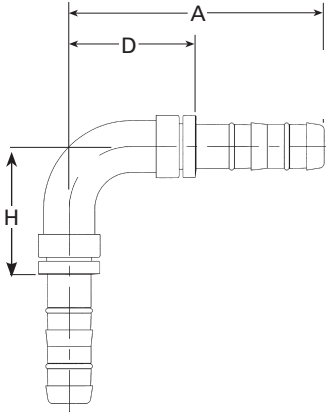


Straight splicer

PART NUMBER	TH'D "T"	HOSE SIZE	A REF	D REF	F REF	H REF	① REF
FJ3045-0606S	—	6	4.63	1.58	—	—	—
FJ3045-0808S	—	8	4.76	1.68	—	—	—
FJ3045-1010S	—	10	5.68	2.58	—	—	—
FJ3045-1212S	—	12	4.72	1.57	—	—	—
FJ3045-1008S	—	8	5.78	2.69	—	—	—
FJ3045-1616S	—	16	5.18	1.82	—	—	—

EZ Clip system - GH001 Fittings

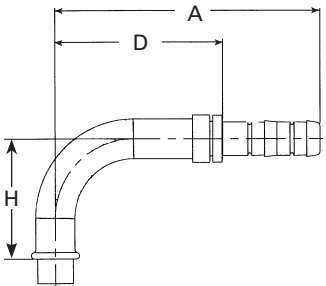
FJ3058



90° splicer

PART NUMBER	TH'D "T"	HOSE SIZE	A REF	D REF	F REF	H REF	① REF
FJ3058-01-0606S	—	6	2.71	1.18	—	2.71	—
FJ3058-02-0808S	—	8	2.98	1.43	—	2.98	—
FJ3058-03-1010S	—	10	3.08	1.53	—	3.08	—
FJ3058-04-1212S	—	12	3.68	2.11	—	3.68	—
FJ3058-05-1010S	—	10	6.86	5.61	—	6.86	—
FJ3058-06-1212S	—	12	6.86	5.36	—	6.86	—

FJ3496

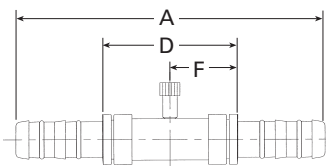


90° pilot connection (long pilot)

PART NUMBER	TH'D "T"	HOSE SIZE	A REF	D REF	F REF	H REF	① REF
FJ3496-01-1010S	—	10	4.22	2.67	—	1.89	—
FJ3496-04-0608S	—	8	3.27	2.23	—	1.62	—
FJ3496-02-0808S*	—	8	3.77	2.23	—	1.62	—
FJ3496-03-1012S	—	12	4.25	2.67	—	1.89	—

* MTO (made to order)

FJ3171

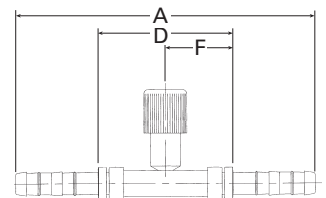


Splicer with switch port (7/16-20 thd)

PART NUMBER	TH'D "T"	HOSE SIZE	A REF	D REF	F REF	H REF	① REF
FJ3171-0606S	—	6	5.41	2.36	1.18	—	—
FJ3171-0808S	—	8	5.61	2.52	1.26	—	—
FJ3171-1010S	—	10	5.54	2.44	1.22	—	—
FJ3171-1212S	—	12	5.60	2.44	1.22	—	—
FJ3171-1616S	—	16	6.79	3.44	1.72	—	—

* MTO (made to order)

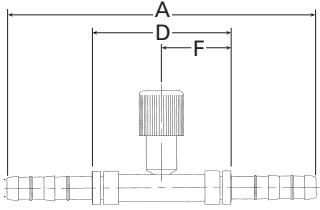
FJ5995



Splicer with high side R134a port

PART NUMBER	TH'D "T"	HOSE SIZE	A REF	D REF	F REF	H REF	① REF
FJ5995-0606S	—	6	5.41	2.36	1.18	—	—
FJ5995-0808S	—	8	5.61	2.52	1.26	—	—
FJ5995-1010S	—	10	5.62	2.52	1.26	—	—
FJ5995-1212S	—	12	5.67	2.52	1.26	—	—

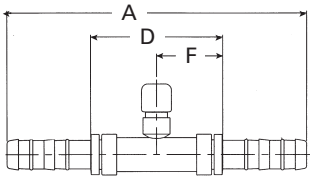
FJ5986



Splicer with R134a low side port

PART NUMBER	TH'D "T"	HOSE SIZE	A REF	D REF	F REF	H REF	⊕ REF
FJ5986-1010S	—	10	5.54	2.44	1.22	—	—
FJ5986-1212S	—	12	5.60	2.44	1.22	—	—
FJ5986-1616S	—	16	6.79	3.44	1.72	—	—

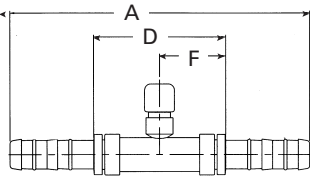
FJ3427



Splicer with high side switch port (M10 X 1.25)

PART NUMBER	TH'D "T"	HOSE SIZE	A REF	D REF	F REF	H REF	⊕ REF
FJ3427-0808S	—	8	5.61	2.52	1.26	—	—
FJ3427-1010S	—	10	5.54	2.44	1.22	—	—

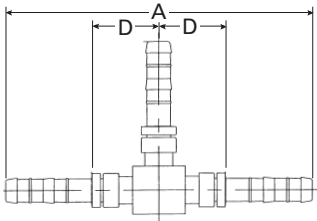
FJ3428



Splicer with low side switch port (M12 X 1.25)

PART NUMBER	TH'D "T"	HOSE SIZE	A REF	D REF	F REF	H REF	⊕ REF
FJ3428-1212S	—	12	5.59	2.44	1.22	—	—
FJ3428-1616S	—	16	6.79	3.44	1.72	—	—

FJ3066



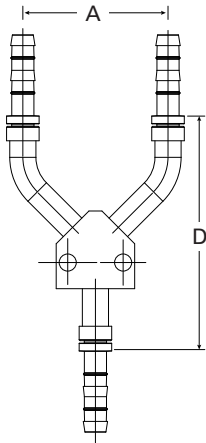
"T" splicer - 3 hose connector

PART NUMBER	TH'D "T"	HOSE SIZE	A REF	D REF	F REF	H REF	⊕ REF
FJ3066-0606S	—	6	5.48	2.40	—	—	—
FJ3066-0808S	—	8	5.48	2.40	—	—	—
FJ3066-1010S	—	10	5.62	2.52	—	—	—
FJ3066-1212S	—	12	5.67	2.52	—	—	—
FJ3066-1616S	—	16	6.41	3.06	—	—	—
FJ3066-101212S	—	10X12X12	5.67	2.52	—	—	—
FJ3066-060808S	—	6X8X8	5.48	2.40	—	—	—
FJ3066-121216S	—	12X12X16	5.98	2.62	—	—	—
FJ3066-121616S	—	12X16X16	5.98	2.62	—	—	—

* MTO (made to order)

EZ Clip system - GH001 Fittings

EJ5096

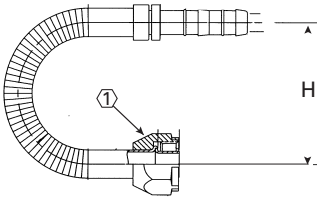


"Y" splicer - 3 hose connector

PART NUMBER	TH'D "T"	HOSE SIZE	A REF	D REF	F REF	H REF	① REF
EJ5096-080808*	—	8	2.78	4.52	—	—	—
EJ5096-101010*	—	10	2.64	4.39	—	—	—
EJ5096-121212*	—	12	2.64	4.29	—	—	—
EJ5096-101012*	—	10X10X12	2.64	4.29	—	—	—
EJ5096-121216*	—	12X12X16	2.64	4.29	—	—	—

* MTO (made to order)

FJ3623

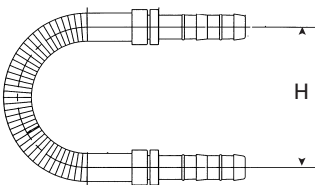


180° female O-Ring pilot

PART NUMBER	TH'D "T"	HOSE SIZE	A REF	D REF	F REF	H REF	① REF
FJ3623-0808S*	M20 x 1.5	8	—	—	—	2.50	.94

* MTO (made to order)

FJ3624

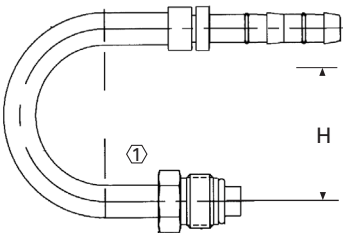


180° splicer

PART NUMBER	TH'D "T"	HOSE SIZE	A REF	D REF	F REF	H REF	① REF
FJ3624-0808S*	—	8	—	—	—	2.50	—

* MTO (made to order)

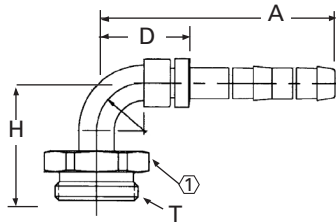
FJ3804



180° male O-Ring

PART NUMBER	TH'D "T"	HOSE SIZE	A REF	D REF	F REF	H REF	① REF
FJ3804-0606S	5/8-18	6	—	—	—	2.00	0.625
FJ3804-1010S	7/8-18	10	—	—	—	3.00	0.88
FJ3804-1012S	7/8-18	12	—	—	—	3.00	0.88

FJ3914

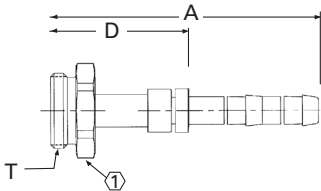


90° 5400 coupling thread

PART NUMBER	TH'D "T"	HOSE SIZE	A REF	D REF	F REF	H REF	① REF
FJ3914-03-1210S	1-1/4-18	10	3.08	1.53	—	1.73	1.38
FJ3914-04-0806S	7/8-20	6	2.50	0.98	—	1.23	1.00
FJ3914-02-1212S*	1-1/4-18	12	3.08	1.53	—	1.73	1.38

* MTO (made to order)

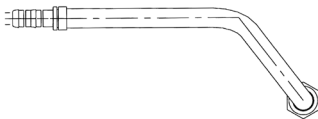
FJ3970



Straight 5400 coupling thread

PART NUMBER	TH'D "T"	HOSE SIZE	A REF	D REF	F REF	H REF	① REF
FJ3970-0606S	7/8-20	6	3.14	1.82	—	—	1.00
FJ3970-0808S	7/8-20	8	3.19	1.65	—	—	1.00
FJ3970-1212S	1-1/4-18	12	3.50	1.93	—	—	1.38
FJ3970-1616S	1-19/32-20	16	3.66	1.98	—	—	1.75

FJ3734

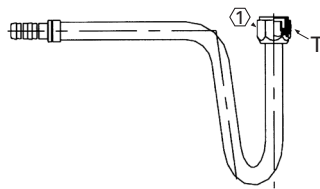


Female O-Ring (long pilot) compound tube

PART NUMBER	TH'D "T"	HOSE SIZE	A REF	D REF	F REF	H REF	① REF
FJ3734-1212S*	1 1/16 x 14	12	—	—	—	—	1.25

* MTO (made to order)

FJ3801



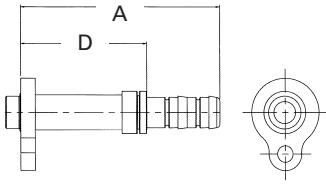
Female O-Ring (long pilot) compound tube

PART NUMBER	TH'D "T"	HOSE SIZE	A REF	D REF	F REF	H REF	① REF
FJ3801-1212S*	1 1/16 x 14	12	—	—	—	—	1.25

* MTO (made to order)

EZ Clip system - GH001 Fittings

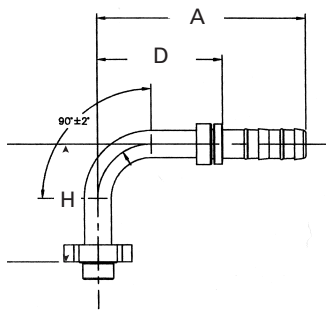
FJ3977



Pad style connection (Volvo)

PART NUMBER	TH'D "T"	HOSE SIZE	A REF	D REF	F REF	H REF	① REF
FJ3977-0806S	—	6	3.34	1.82	—	—	—
FJ3977-0810S	—	10	3.74	2.19	—	—	—
FJ3977-1012S	—	12	4.32	2.73	—	—	—

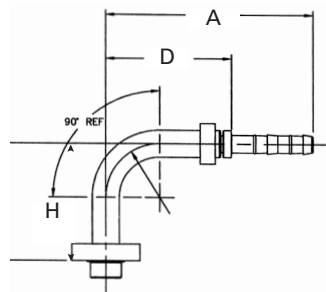
FJ3982



90° pad style connection (Volvo)

PART NUMBER	TH'D "T"	HOSE SIZE	A REF	D REF	F REF	H REF	① REF
FJ3982-0806S	—	6	3.86	2.33	—	2.18	—
FJ3982-0810S	—	10	3.86	2.31	—	2.18	—

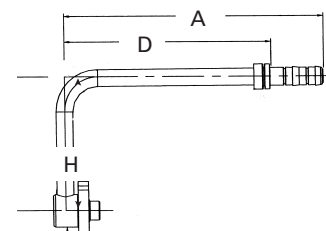
FJ3983



90° pad style connection (Volvo) (pad orientation 90°)

PART NUMBER	TH'D "T"	HOSE SIZE	A REF	D REF	F REF	H REF	① REF
FJ3983-0806S	—	6	3.86	2.33	—	2.18	—

FJ3980

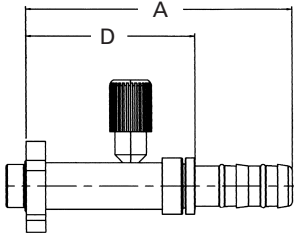


180° pad style connection

PART NUMBER	TH'D "T"	HOSE SIZE	A REF	D REF	F REF	H REF	① REF
FJ3980-0810S*	—	10	6.04	4.48	—	3.92	—

* MTO (made to order)

FJ3978

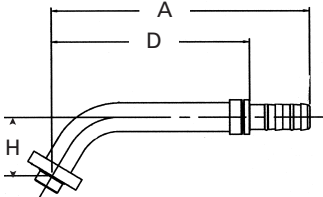


Straight pad style (Volvo) with R134a low side port

PART NUMBER	TH'D "T"	HOSE SIZE	A REF	D REF	F REF	H REF	⊕ REF
FJ3978-1012S*	—	12	4.32	2.73	—	—	—

* MTO (made to order)

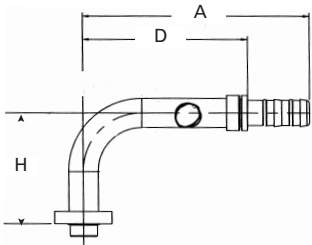
FJ3979



60° elbow, pad style (Volvo) with R134a low side port

PART NUMBER	TH'D "T"	HOSE SIZE	A REF	D REF	F REF	H REF	⊕ REF
FJ3979-1012S	—	12	6.78	5.2	—	1.53	—

FJ3981

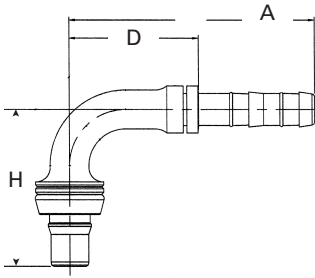


90° elbow, pad style (Volvo) with R134a low side port

PART NUMBER	TH'D "T"	HOSE SIZE	A REF	D REF	F REF	H REF	⊕ REF
FJ3981-1012S	—	12	5.9	4.32	—	2.84	—

EZ Clip system - GH001 Fittings

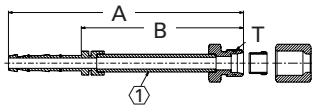
IF20340



90° to STC

PART NUMBER	TH'D "T"	HOSE SIZE	A REF	D REF	F REF	H REF	① REF
1F20340-0808-S	—	8	3.03	1.49	—	2.09	—

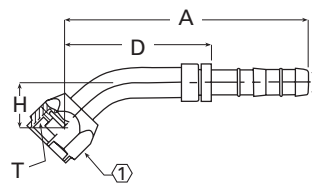
EJ3809



EZ Clip compression fitting

PART NUMBER	TH'D "T"	HOSE SIZE	A REF	D REF	F REF	H REF	① REF
EJ3809-11-0506S	1/2-20	6	4.91	3.38	—	—	0.69
EJ3809-01-0606S	9/16-18	6	4.92	3.40	—	—	0.69
EJ3809-02-0806S	3/4-16	6	4.93	3.40	—	—	0.88
EJ3809-03-0608S	9/16-18	6	4.94	3.40	—	—	0.69
EJ3809-04-0808S	3/4-16	8	4.84	3.30	—	—	0.88
EJ3809-05-1008S	7/8-14	8	4.73	3.19	—	—	1.00
EJ3809-06-0810S	3/4-16	10	4.85	3.30	—	—	0.88
EJ3809-07-1010S	7/8-14	10	4.64	3.09	—	—	1.00
EJ3809-08-1012S	7/8-14	12	4.66	3.09	—	—	1.00
EJ3809-09-1212S	1-1/16-12	12	4.98	3.40	—	—	1.25
EJ3809-10-1210S	1-1/16-12	10	5.05	3.50	—	—	1.25

GA23854

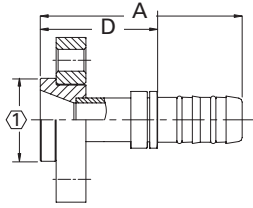


45° female O-Ring (long pilot)

PART NUMBER	TH'D "T"	HOSE SIZE	A REF	D REF	F REF	H REF	① REF
GA23854-12-16*	1 1/16-14	16	5.125	3.175	—	1.39	32mm

* MTO (made to order)

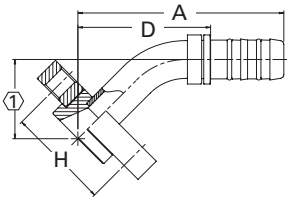
GA24335



Straight bock compressor fitting

PART NUMBER	TH'D "T"	HOSE SIZE	A REF	D REF	F REF	H REF	① REF
GA24335-16-12	—	12	4	2.42	—	—	1.65
GA24335-22-16	—	16	4.01	2.33	—	—	1.65

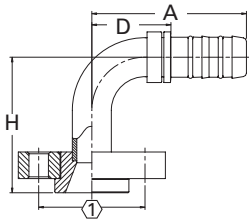
GA24336



45° bock compressor fitting

PART NUMBER	TH'D "T"	HOSE SIZE	A REF	D REF	F REF	H REF	① REF
GA24336-16-12	—	12	4.85	3.27	—	1.65	1.53
GA24336-22-16	—	16	4.72	3.04	—	1.65	1.81

GA24337



90° bock compressor fitting

PART NUMBER	TH'D "T"	HOSE SIZE	A REF	D REF	F REF	H REF	① REF
GA24337-16-12	—	12	3.65	2.07	—	2.50	1.65
GA24337-22-16	—	16	3.44	1.76	—	3.01	1.65

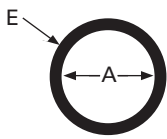
EZ Clip system - GH001 End connections & O-Rings

End connections & O-Rings

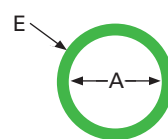
Tubing identification

SIZE	TUBING STYLE	WALL THICKNESS
-6	SAE J526	0.035
-0608	SAE J526	0.035
-8	SAE J526	0.035
-0810	SAE J526	0.035
-10	SAE J525	0.049
-1012	SAE J525	0.049
-12	SAE J525	0.049
-16	SAE J525	0.0625

O-Rings for bump tube O-Ring seal and O-Ring pilot fittings



22546
Material: Chloroprene (Neoprene)
Durometer: 70
Temperature: -65°F to +300°F
Color: Black



FF90178
Material: HNBR
Durometer: 70
Temperature: -25°F to +300°F
Color: Green

O-RING PART # E	O-RING PILOT DASH SIZE	A	
22546-11	-06	.301	.07
22546-13	-08	.426	.07
22546-15	-10	.551	.07
22546-17	-12	.676	.07

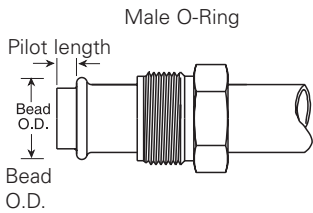
O-RING PART # E	O-RING PILOT DASH SIZE	A	
FF90178-11	-06	.301	.0625
FF90178-13	-08	.426	.0625
FF90178-15	-10	.551	.0625
FF90178-17	-12	.676	.0625

How to identify O-Ring pilot thread sizes

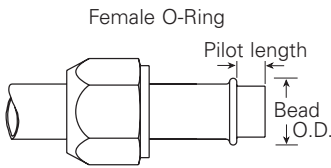
This connection is common to air conditioning systems, both in vehicle and commercial applications. Both the male and female halves of the connections have a pilot, either long or short. The seal takes place by

compressing an O-Ring adjacent to the bead of the tube. The threads hold the connection together mechanically.

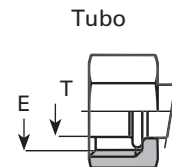
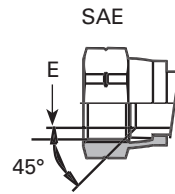
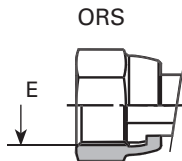
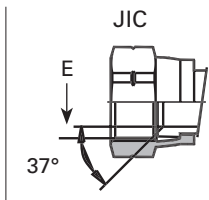
Label set: FF90646



		MALE THREAD O.D. (INCH)			FEMALE THREAD I.D. (INCH)		
Inch Size	Dash Size	Nominal Thread	Fraction	Decimal	Nominal Thread	Fraction	Decimal
3/8	06	5/8 - 18	5/8	.62	5/8 - 18	9/16	.57
1/2	08	3/4 - 18	3/4	.75	3/4 - 16	11/16	.69
5/8	10	7/8 - 18	7/8	.87	7/8 - 14	13/16	.81
3/4	12	1-1/16-16	1-1/16	1.06	11/16-14	1	.99



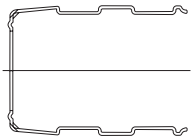
		LONG PILOT		SHORT PILOT	
Inch Size	Dash Size	Bead O.D. (inch)	Pilot length	Bead O.D. (inch)	Pilot length
3/8	06	.52	.28	.52	.19
1/2	08	.64	.39	.64	.19
5/8	10	.77	.39	.77	.19
3/4	12	.91	.39	.91	.19



SIZE	JIC THREAD	ORS THREAD	ØE	SAE THREAD	ØE	TUBO THREAD	ØE	ØT
-4	7/16-20	9/16-18	12,9	7/16-20	—	—	—	—
-6	9/16-18	11/16-16	15,9	5/8-18	14,5	5/8-18	14,5	8,4
-8	3/4-18	13/16-16	19,1	3/4-16	17,5	3/4-16	17,5	11,6
-10	7/8-14	1-14	23,6	7/8-14	20,5	7/8-14	20,5	14,4
-12	1-1/16-12	1-3/16-12	28,1	1-1/16-14	25,2	1-1/16-14	25,2	17,5
-16	1-5/16-12	1-7/16-12	34,5	—	—	—	—	—
-20	—	1-11/16-12	40,7	—	—	—	—	—
-24	—	—	—	—	—	—	—	—

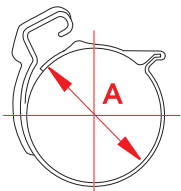
Cages, clips and lifesavers

Cages



PART NUMBER	CAGE SIZE	HOSE DESCRIPTION
1F40105-06C	-06	Cages for size -06 hose
1F40105-08C	-08	Cages for size -08 hose
1F40105-10C	-10	Cages for size -10 hose
1F40105-12C	-12	Cages for size -12 hose
1F40105-16C	-16	Cages for size -16 hose

Clips

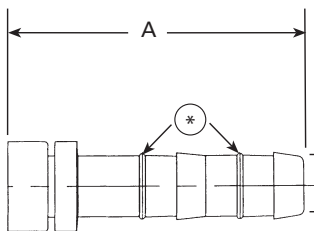


PART NUMBER	A REF	DESCRIPTION
1F40104-06C	18.0 mm	Clips for size -06 hose
1F40104-08C	20.5 mm	Clips for size -08 hose
1F40104-10C	23.0 mm	Clips for size -10 hose
1F40104-12C	27.5 mm	Clips for size -12 hose
1F40104-16C	33.0 mm	Clips for size -16 hose

Clip and cage kits

KIT PART	HOSE	NUMBER OF CLIPS PER KIT	NUMBER OF CAGES PER KIT
FF14171	6	2	1
FF14172	8	2	1
FF14173	10	2	1
FF14174	12	2	1
FF14401	16	2	1
FF13819	6	4	2
FF13820	8	4	2
FF13821	10	4	2
FF13822	12	4	2
FF14402	16	4	2

Lifesaver braze nipple



PART NUMBER	TH'D "T"	HOSE SIZE	A REF
FF12262-0606	—	6	2.01
FF12262-0608	—	8	2.02
FF12262-0808	—	8	2.02
FF12262-0810	—	10	2.03
FF12262-1010	—	10	2.03
FF12262-1012	—	12	2.06
FF12262-1212	—	12	2.21
FF12262-1616	—	16	2.21
FF12262-1016	—	16	2.21
FF12262-1216	—	16	2.21
FF12262-1616	—	16	2.21

* O-Rings packaged separately

Aluminum lifesaver



EZ Clip aluminum lifesaver kits

Ff13727

Part number ordering guide

ORDER KIT NO.	KIT COMPONENT	DESCRIPTION	QTY
FF13727-size	GW1172-size	Braze-on nipple	2
	1F40106-size	Nipple O-Ring	5
	GA7000579-size	Silver braze ring	3
		Assembly instructions	1

A/C hose repair system

The Aluminum Lifesaver braze fitting is designed to rework failed OEM aluminum air conditioning tubing and hose assemblies in sizes 10mm to 18mm (metric tubing only, -6 to -12).

This repair system allows the installer to reuse unique OEM terminal connections, while replacing the failed OEM hose and nipple with the EZ Clip attachment system.

Note: The EZ Clip system can only be used with Eaton GH001 hose.

EZ to use

Each kit contains the correct components for replacement of a single hose assembly.

Eaton GH001 hose must be ordered or purchased separately.

Determine tube O.D. for Hose I.D. per chart below:
Standard configurations

SIZE* KIT	TUBE O.D.	HOSE I.D.	HOSE	USE LIFESAVER
	mm (in)	mm (in)	Part number	Part number
-6	10 (.39)	8 (.32)	GH001-6	FF13727-1006
-8	12 (.47)	11 (.42)	GH001-8	FF13727-1208
-10	16 (.63)	13 (.51)	GH001-10	FF13727-1610
-12	18 (.71)	16 (.64)	GH001-12	FF13727-1812

*This (-) size label will be referenced throughout the instructions

EZ Clip system - GH001: Tools & tool case

EZ Clip tools and tool case



EZ Clip tool case FF12139

KIT CONTENTS COMPONENTS PART NUMBER	DESCRIPTION	QTY/PER KIT
1F40104-size	Clips	20
1F40105-size	Cages	10
FT1357	Assembly tool	1
FT1356	Hose cutter	1
FT1356-2-1	Replacement blade	1

The EZ Clip system has been designed to work exclusively with Eaton GH001 hose.

Pliers/connecting assembly tool



FT1357



FT1421

EZ Clip pliers/connecting tool FT1357 & FT1421

PART NUMBER	DESCRIPTION
FT1357	Connecting tool
FT1421	Connecting tool for #16

(Replaces FT1417)

Hose cutter

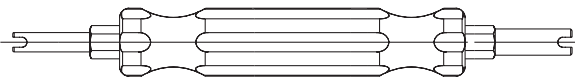


FT1356

Hose cutter FT1356

PART NUMBER	DESCRIPTION
FT1356	Hose cutter
FT1356-2-1	Replacement blade

Core tool



FT1406
Core tool

Core tool FT1406

PART NUMBER	DESCRIPTION
FT1406	Core tool
FF90192-02	High side core*
FF90192-01	Low side core*
FF90193-02	High side cap for M10 x .75 thd. port
FF90193-01	Low side cap for M8 x 1.0 thd. port
FF9872-04	Cap for 7/16-20 thd.port

*For high flow charge ports only.



FF90192-02
high side core



FF90192-01
low side core*



FF90193-02 High side cap
FF90193-01 low side cap



FF9872-04
cap

EZ Clip components – ordering & identifying

The EZ Clip System is designed for assembly with Eaton GH001 multi-refrigerant hose. Its engineered connection exceeds SAE J2064 and has been vibration and impulse tested.

The benefits of EZ Clip are virtually endless:

- No guess work
- No leaking crimps
- No power supply needed
- As easy to use as a pair of pliers
- Easy to use in confined areas

Assembly materials checklist

- Pliers (FT1357)
- Guillotine blade (FT1356) or equivalent cutting tool
- Refrigerant oil compatible with refrigeration or A/C system
- GH001 multi-refrigerant hose
- Nipple assembly*
- Appropriately sized clips and cage

*The two black O-Rings on the nipple assembly are of a specific rubber compound and size. They should NOT be removed.



Assembly materials

EZ Clip system components are simple to identify, order and use

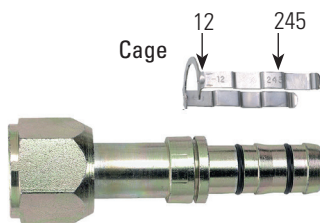
ORDERING INFORMATION			
Hose	Nipple	Cage	Clips
GH001-6	FJ___-__06S	1F40105-06C	1F40104-06C
GH001-8	FJ___-__08S	1F40105-08C	1F40104-08C
GH001-10	FJ___-__10S	1F40105-10C	1F40104-10C
GH001-12	FJ___-__12S	1F40105-12C	1F40104-12C
GH001-16*	FJ___-__16S	1F40105-16C	1F40104-16C

IDENTIFICATION GUIDE			
Hose	Cage	Clips	Nipple O-Ring*(HNBR)
GH001-6	-6 and 150	150	1F40106-06
GH001-8	-8 and 175	175	1F40106-08
GH001-10	-10 and 200	200	1F40106-10
GH001-12	-12 and 245	245	1F40106-12
GH001-16	-16 and 285	285	1F40106-16

For example...



Hose



Cage groove



Clips

EZ Clip assembly instructions

Step 1. Cut the hose

Cut the hose to proper length with an appropriate cutting tool. The hand-held hose cutter (FT1356) has been specifically designed for cutting all non-wire reinforced hose, such as GH001 multi-refrigerant hose. Be sure the cut is made square to the hose length.



Step 2. Slip on two clips

Install two proper-sized clips onto the cut end of the hose. Orientation of the clips does not affect the performance of the connection. However, for ease of assembly, both clips should have the same orientation.

Note: Failure to slide the clips over the hose at this time will require the clips to be stretched over the hose or fitting later. This may permanently damage the clip.



Step 3. Oil the nipple

Lubricate the nipple with a generous amount of the refrigeration or A/C system's compressor lubricating oil. This **MUST** be done to lower the force of nipple insertion.



Step 4. Insert the nipple into the hose

To ensure that the nipple is fully inserted, check the gap between the cut end of the hose and the shoulder on the nipple. Care should be taken to avoid kinking or other damage to the hose during nipple insertion.

Note: Be sure to wipe excess oil from the nipple and hose.



Step 5. Snap on the cage

Snap the cage into the groove on the nipple. The arms should extend over the hose length. When the cage has been correctly installed in the cage groove, the cage will be able to rotate in the groove. This step **MUST** be performed to ensure:

1. The clips will be located over the O-Rings on the nipple.
2. The connection will be compatible with the connection's pressure rating.



Step 6: Slide the clips

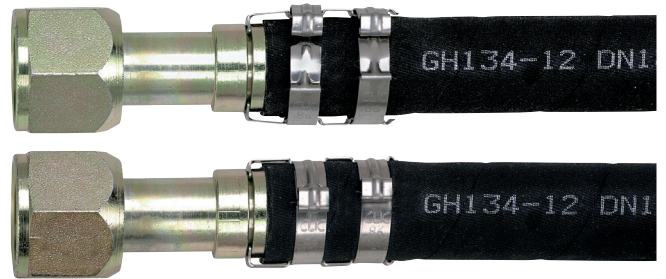
Slide the clips over the cage arms and into the channels on each arm.

Step 7: Close the clips

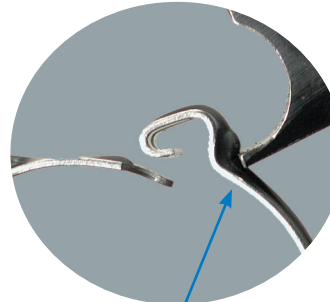
Use the FT1357 pliers to close the clips. The pliers should be positioned squarely on the clip connection points and should remain square during the closing of the clip.

Nose of the pliers should be firmly seated under the assembly bump and lock latch.

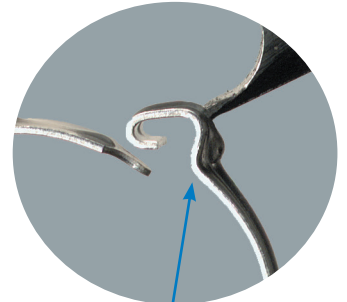
If the pliers are not kept square during closing of the clip, the clasp may have an offset. Use the pliers to correct the clasp alignment.



For easiest assembly, the clasp should be closed between the cage arms.



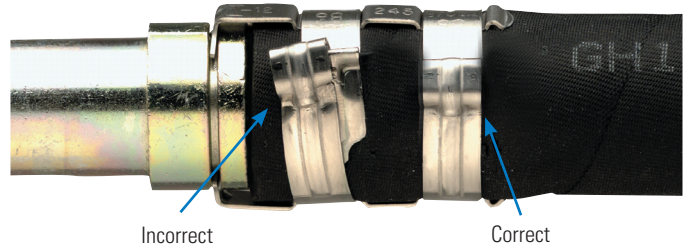
Correct



Incorrect

Notice

EZ Clip components should not be reused. For recommendations on cleaning and routing hose assemblies, please consult Eaton EverCool hose assembly master catalog



Incorrect

Correct

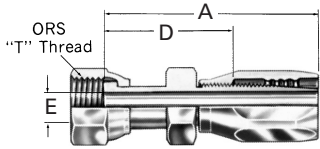
EZ Clip system - GH001: Fitting kits

Our most popular EZ Clip fittings are available, pre-packed, with the needed clips and cages for installation, in a single package.

EZ Clip kit part #	EZ Clip fitting #	Qty per kit	EZ Clip, cage & clip kit	Qty per kit
FF14176	FJ5984-0606S	1	FF14171	1
FF14177	FJ5984-0608S	1	FF14172	1
FF14178	FJ5984-0808S	1	FF14172	1
FF14179	FJ5984-0810S	1	FF14173	1
FF14180	FJ5984-1010S	1	FF14173	1
FF14181	FJ5984-1012S	1	FF14174	1
FF14182	FJ5984-1212S	1	FF14174	1
FF14183	FJ3055-01-0606S	1	FF14171	1
FF14184	FJ3055-03-0808S	1	FF14172	1
FF14185	FJ3055-05-1010S	1	FF14173	1
FF14186	FJ3055-07-1212S	1	FF14174	1
FF14187	FJ5985-0606S	1	FF14171	1
FF14188	FJ5985-0608S	1	FF14172	1
FF14189	FJ5985-0808S	1	FF14172	1
FF14190	FJ5985-0810S	1	FF14173	1
FF14191	FJ5985-1010S	1	FF14173	1
FF14192	FJ5985-1012S	1	FF14174	1
FF14193	FJ5985-1212S	1	FF14174	1
FF14194	FJ3012-02-1010S	1	FF14173	1
FF14195	FJ3012-01-1012S	1	FF14174	1
FF14196	FJ3012-03-1212S	1	FF14174	1
FF14197	FJ3052-0606S	1	FF14171	1
FF14198	FJ3052-0608S	1	FF14172	1
FF14199	FJ3052-0808S	1	FF14172	1
FF14200	FJ3052-1010S	1	FF14173	1
FF14201	FJ3052-1012S	1	FF14174	1
FF14202	FJ3052-1212S	1	FF14174	1
FF14203	FJ3019-03-0606S	1	FF14171	1
FF14204	FJ3019-02-0608S	1	FF14172	1
FF14205	FJ3019-04-0808S	1	FF14172	1
FF14206	FJ3019-06-0810S	1	FF14173	1
FF14207	FJ3019-01-1012S	1	FF14174	1
FF14208	FJ3019-05-1212S	1	FF14174	1
FF14209	FJ3019-07-1010S	1	FF14173	1
FF14210	FF12262-0606	1	FF14171	1
FF14211	FF12262-0808	1	FF14172	1
FF14212	FF12262-1010	1	FF14173	1
FF14213	FF12262-1012	1	FF14174	1
FF14214	FJ3116-03-0808S	1	FF14172	1
FF14215	FJ3116-01-0606S	1	FF14171	1
FF14216	FJ3116-02-1010S	1	FF14173	1
FF14217	FJ3513-0606S	1	FF14171	1
FF14218	FJ3513-0808S	1	FF14172	1
FF14219	FJ3513-1010S	1	FF14173	1
FF14220	FJ3514-0606S	1	FF14171	1
FF14221	FJ3514-0808S	1	FF14172	1
FF14222	FJ3514-1010S	1	FF14173	1
FF14223	FJ3514-1012S	1	FF14174	1
FF14224	FJ3054-1010S	1	FF14173	1
FF14225	FJ3054-1012S	1	FF14174	1
FF14226	FJ3053-0808S	1	FF14172	1
FF14227	FJ3289-03-0606S	1	FF14171	1
FF14228	FJ3289-01-0808S	1	FF14172	1
FF14229	FJ3289-05-1012S	1	FF14174	1
FF14230	FJ3171-0606S	1	FF13819	1
FF14231	FJ3171-0808S	1	FF13820	1
FF14232	FJ3171-1010S	1	FF13821	1

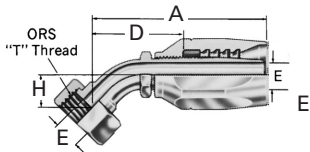
EZ Clip kit part #	EZ Clip fitting #	Qty per kit	EZ Clip, cage & clip kit	Qty per kit
FF14233	FJ3171-1212S	1	FF13822	1
FF14234	FJ3132-02-1012S	1	FF14174	1
FF14235	FJ3131-02-0808S	1	FF14172	1
FF14236	FJ3134-02-0808S	1	FF14172	1
FF14237	FJ3135-02-1012S	1	FF14174	1
FF14238	FJ3058-01-0606S	1	FF14171	1
FF14239	FJ3058-02-0808S	1	FF14172	1
FF14240	FJ3058-03-1010S	1	FF14173	1
FF14241	FJ3057-01-0606S	1	FF14171	1
FF14242	FJ3057-03-0808S	1	FF14172	1
FF14243	FJ3057-05-1010S	1	FF14173	1
FF14244	FJ3057-07-1212S	1	FF14174	1
FF14245	FJ5994-01-0606S	1	FF14171	1
FF14246	FJ5994-02-0808S	1	FF14172	1
FF14247	FJ5994-04-1010S	1	FF14173	1
FF14248	FJ5994-03-1212S	1	FF14174	1
FF14249	FJ5994-05-1012S	1	FF14174	1
FF14250	FJ3045-0606S	1	FF14171	1
FF14251	FJ3045-0808S	1	FF14172	1
FF14252	FJ3045-1010S	1	FF14173	1
FF14253	FJ3045-1212S	1	FF14174	1
FF14254	FJ3058-04-1212S	1	FF14174	1
FF14255	FJ5986-1010S	1	FF13821	1
FF14256	FJ5986-1212S	1	FF13822	1
FF14257	FJ5995-0606S	1	FF13819	1
FF14258	FJ5995-0808S	1	FF13820	1
FF14259	FJ5995-1010S	1	FF13821	1
FF14260	FJ3013-02-0606S	1	FF14171	1
FF14261	FJ3013-03-0808S	1	FF14172	1
FF14262	FJ3013-01-0810S	1	FF14173	1
FF14263	FJ3977-0806S	1	FF14171	1
FF14264	FJ3977-0810S	1	FF14173	1
FF14265	FJ3977-1012S	1	FF14174	1
FF14266	FJ3978-1012S	1	FF14174	1
FF14267	FJ3979-1012S	1	FF14174	1
FF14268	FJ3980-0810S	1	FF14173	1
FF14269	FJ3981-1012S	1	FF14174	1
FF14270	FJ3982-0806S	1	FF14171	1
FF14271	FJ3982-0810S	1	FF14173	1
FF14272	FJ3983-0806S	1	FF14171	1
FF14369	EJ3320-1008S	1	FF14172	1
FF14370	EJ3320-1012S	1	FF14174	1
FF14371	EJ3321-1008S	1	FF14172	1
FF14372	EJ3321-1012S	1	FF14174	1
FF14373	FJ3225-1008S	1	FF14172	1
FF14374	FJ3225-1012S	1	FF14174	1
FF14375	FJ3225-1010S	1	FF14173	1
FF14376	FJ3274-1010S	1	FF14173	1
FF14377	FJ3510-1012S	1	FF14174	1
FF14378	FJ3511-1010S	1	FF14173	1
FF14379	FJ3226-1010S	1	FF14173	1
FF14380	FJ5984-1210S	1	FF14173	1
FF14381	FJ3289-02-1010S	1	FF14173	1
FF14382	FJ3149-01-0606S	1	FF14171	1
FF14383	FJ3149-03-0808S	1	FF14172	1
FF14384	FJ3149-04-1010S	1	FF14173	1

Female ORS swivel



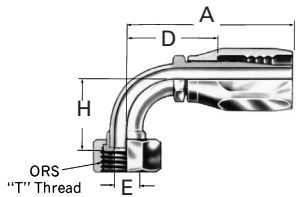
PART NUMBER	HOSE SIZE	TUBE SIZE	THREAD SIZE	A		HOSE CUT-OFF FACTOR		HOLE DIAMETER		HEX	O-RING REF
				MM	IN	MM	IN	MM	IN		
EJ5305-1212S	12	12	1-3/16-12	93,0	3.66	54,4	2.14	11,9	.47	1-1/4	FF91026-12
EJ5305-1616S	16	16	1-7/16-12	85,9	3.38	56,4	2.22	17,5	.69	1-5/8	FF91026-16
EJ5305-2020S	20	20	1-11/16-12	92,3	3.63	58,8	2.31	24,2	.95	1-7/8	FF91026-20
EJ5305-2424S	24	24	2-12	96,2	3.79	61,2	2.41	29,5	1.16	2-1/4	FF91026-24

**Female ORS swivel
45° tube elbow**



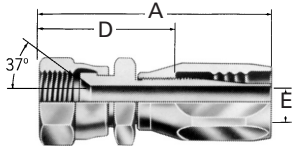
PART NUMBER	HOSE SIZE	TUBE SIZE	THREAD SIZE	A		HOSE CUT-OFF FACTOR		DROP DIAMETER		HOLE DIAMETER		HEX	O-RING REF
				MM	IN	MM	IN	MM	IN	MM	IN		
EJ5361-1212S	12	12	1-3/16-12	97,5	3.84	57,4	2.26	21,0	.83	11,9	.47	1-3/8	FF91026-12
EJ5361-1616S	16	16	1-7/16-12	91,9	3.62	59,6	2.35	24,0	.94	17,5	.69	1-5/8	FF91026-16
EJ5361-2020S	20	20	1-11/16-12	103,6	4.08	69,1	2.72	25,0	.98	24,2	.95	1-7/8	FF91026-20
EJ5361-2424S	24	24	2-12	109,8	4.32	72,6	2.86	27,0	1.06	29,5	1.16	2-1/4	FF91026-24

**Female ORS swivel
90° tube elbow**



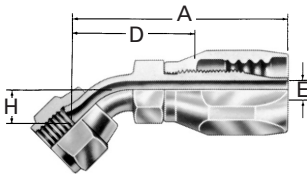
PART NUMBER	HOSE SIZE	TUBE SIZE	THREAD SIZE	A		HOSE CUT-OFF FACTOR		DROP DIAMETER		HOLE DIAMETER		HEX	O-RING REF
				MM	IN	MM	IN	MM	IN	MM	IN		
EJ5362-1212S	12	12	1-3/16-12	95,0	3.74	55,1	2.17	48,3	1.90	11,9	.47	1-3/8	FF91026-12
EJ5362-1616S	16	16	1-7/16-12	90,2	3.55	57,9	2.28	56,4	2.22	17,5	.69	1-5/8	FF91026-16
EJ5362-2020S	20	20	1-11/16-12	102,1	4.02	67,3	2.65	63,5	2.50	24,2	.95	1-7/8	FF91026-20
EJ5362-2424S	24	24	2-12	112,3	4.42	75,4	2.97	68,6	2.70	29,5	1.16	2-1/4	FF91026-24

Female SAE 37° JIC swivel



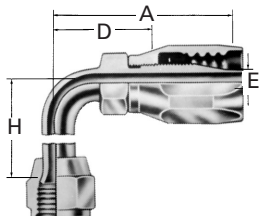
PART NUMBER	HOSE SIZE	TUBE SIZE	THREAD SIZE	A		HOSE CUT-OFF FACTOR		HOLE DIAMETER		HEX	O-RING REF
				MM	IN	MM	IN	MM	IN		
EJ5306-1212S	12	12	1-1/16-12	76,9	3.03	38,3	1.51	11,9	.47	1-1/4	FF91026-12
EJ5306-1616S	16	16	1-5/16-12	70,6	1.78	41,4	1.62	17,5	.69	1-1/2	FF91026-16
EJ5306-2020S	20	20	1-5/8-12	80,1	3.15	46,6	3.15	24,2	.95	2	FF91026-20
EJ5306-2424S	24	24	1-7/8-12	84,5	3.33	49,5	1.95	29,5	1.16	2-1/4	FF91026-24

Female SAE 37° JIC swivel 45° tube elbow



PART NUMBER	HOSE SIZE	TUBE SIZE	THREAD SIZE	A		HOSE CUT-OFF FACTOR		DROP DIAMETER		HOLE DIAMETER		HEX	O-RING REF
				MM	IN	MM	IN	MM	IN	MM	IN		
EJ5359-1212S	12	12	1-1/16-12	96,1	3.78	56,2	2..21	19,7	.78	11,9	.47	1-1/4	FF91026-12
EJ5359-1616S	16	16	1-5/16-12	95,2	3.75	63,0	2.48	27,1	1.07	17,5	.69	1-1/2	FF91026-16
EJ5359-2020S	20	20	1-5/8-12	106,9	4.21	72,4	2.85	31,0	1.22	24,2	.95	2	FF91026-20

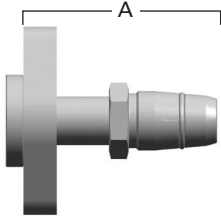
Female JIC/SAE 37° swivel 90° tube elbow



PART NUMBER	HOSE SIZE	TUBE SIZE	THREAD SIZE	A		HOSE CUT-OFF FACTOR		DROP DIAMETER		HOLE DIAMETER		HEX	O-RING REF
				MM	IN	MM	IN	MM	IN	MM	IN		
EJ5360-1212S	12	12	1-1/16-12	95,0	3.74	55,1	2..17	46,3	1.82	11,9	.47	1-1/4	FF91026-12
EJ5360-1616S	16	16	1-5/16-12	90,3	3.56	58,2	2.29	60,7	2.39	17,5	.69	1-1/2	FF91026-16
EJ5360-2020S	20	20	1-5/8-12	102,1	4.02	67,3	2.65	69,8	2.75	24,2	.95	2	FF91026-20

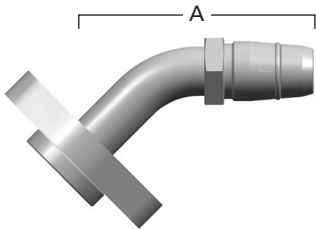
The following BOCK Fittings are MTO.
The Nipple and the Socket must be ordered separately.
Please contact Eaton Customer Service to determine leadtime.

BOCK, straight



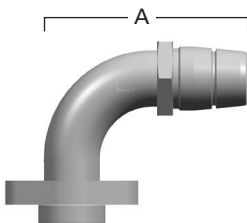
PART NUMBER	HOSE HEX SIZE	TUBE SIZE	THREAD SIZE	A		HOSE CUT-OFF FACTOR		HOLE DIAMETER		NIPPLE (METRIC)	PART # SOCKET	SOCKET HEX (METRIC)
				MM	IN	MM	IN	MM	IN			
GA25126-16	16	16	-	96,0	3.78	66,5	2.62	17,5	.69	24	G1212-16K	36
GA25126-20	20	20	-	101,5	4.00	68,0	2.68	24,2	.95	36	G1212-20K	46
GA25126-24	24	24	-	96,0	3.78	53,4	2.10	29,5	1.16	46	G1212-24K	50

BOCK, 45° tube elbow



PART # FOR HOSE NIPPLE	HOSE SIZE	TUBE SIZE	THREAD SIZE	A		HOSE CUT-OFF FACTOR		DROP DIM.		HOLE DIAMETER		NIPPLE HEX (METRIC)	PART # SOCKET	SOCKET HEX (METRIC)
				MM	IN	MM	IN	MM	IN	MM	IN			
GA25127-16	16	16	-	114,1	4.49	84,6	3.33	46,1	1.81	17,5	.69	24	G1212-16K	36
GA25127-20	20	20	-	122,6	4.83	89,1	3.51	46,1	1.81	24,2	.95	36	G1212-20K	46
GA24127-24	24	24	-	134,7	5.30	99,7	3.93	38,0	1.50	29,5	1.16	46	G1212-24K	50

BOCK, 90° tube elbow



PART # FOR HOSE NIPPLE	HOSE SIZE	TUBE SIZE	THREAD SIZE	A		HOSE CUT-OFF FACTOR		DROP DIM.		HOLE DIAMETER		NIPPLE HEX (METRIC)	PART # SOCKET	SOCKET HEX (METRIC)
				MM	IN	MM	IN	MM	IN	MM	IN			
GA25128-16	16	16	-	81,5	3.21	52,0	2.05	55,4	2.18	17,5	.69	24	G1212-16K	36
GA25128-24	24	24	-	109,5	4.31	74,5	2.93	90,5	3.56	29,5	1.16	46	G1212-20K	50



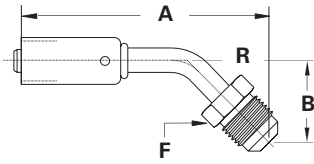


757 "E" series - EC007

To determine the correct length of hose, subtract the cut-off factor for each end fitting from the overall length of assembly. All dimensions shown in inches.

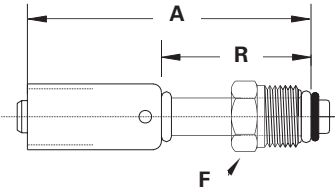
757 "E" series

Bumped tube O-Ring Male rigid



PART NUMBER	HOSE I.D.	TUBE SIZE	THREAD SIZE	LENGTH A	RUN R	HOSE CUT-OFF FACTOR	HEX F
75706E-W06	5/16	3/8	5/8-18	2.94	1.54	1.63	5/8
75708E-W08	13/32	1/2	3/4-16	3.26	1.86	2.00	3/4
75710E-W10	1/2	5/8	7/8-14	3.35	1.95	2.13	7/8
75712E-W10	5/8	5/8	7/8-14	3.56	2.06	2.25	7/8
75712E-W12	5/8	3/4	1-1/16-14	3.56	2.06	2.25	1-1/16

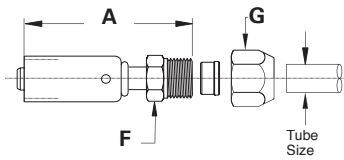
Bumped tube O-Ring Male swivel



PART NUMBER	HOSE I.D.	TUBE SIZE	THREAD SIZE	LENGTH A	RUN R	HOSE CUT-OFF FACTOR	HEX F	O-RING
75706E-Z06	5/16	3/8	5/8-18	2.94	1.54	1.63	5/8	ZW74706
75706E-Z08	5/16	1/2	3/4-18	3.15	1.75	1.88	3/4	ZW74708
75708E-Z08	13/32	1/2	3/4-18	3.26	1.86	2.00	3/4	ZW74708
75710E-Z10	1/2	5/8	7/8-18	3.35	1.95	2.13	7/8	ZW74710
75710E-Z12	1/2	3/4	1-1/16-16	3.46	2.06	2.25	1-1/16	ZW74712
75712E-Z10	5/8	5/8	7/8-18	3.56	2.06	2.25	7/8	ZW74710
75712E-Z12	5/8	3/4	1-1/16-16	3.56	2.06	2.25	1-1/16	ZW74712

(Includes o-ring).

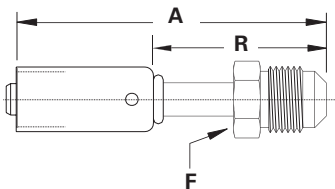
Male rigid compression fitting (with nut and sleeve)



PART NUMBER	HOSE I.D.	TUBE SIZE	THREAD SIZE	LENGTH A	HOSE CUT-OFF FACTOR	HEX F	HEX G
75706E-756	5/16	3/8	5/8-18	2.59	1.38	5/8	3/4
75706E-758	5/16	1/2	3/4-16	2.71	1.50	3/4	7/8
75708E-756	13/32	3/8	5/8-18	2.65	1.38	5/8	3/4
75708E-758	13/32	1/2	3/4-16	2.78	1.50	3/4	7/8
75708E-760	13/32	5/8	7/8-14	2.90	1.63	7/8	1-1/16
75710E-758	1/2	1/2	3/4-16	2.84	1.63	3/4	7/8
75710E-760	1/2	5/8	7/8-14	2.90	1.63	7/8	1-1/16
75712E-760	5/8	5/8	7/8-14	3.13	1.75	7/8	1-1/16
75712E-762	5/8	3/4	1-1/16-14	3.25	1.88	1-1/16	1-1/4

Flareless - see page H-15 for assembly instructions

SAE 45° Male rigid

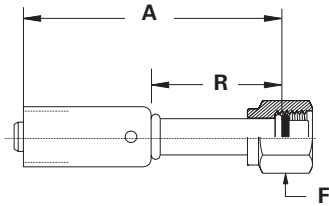


PART NUMBER	HOSE I.D.	TUBE SIZE	THREAD SIZE	LENGTH A	RUN R	HOSE CUT-OFF FACTOR	HEX F
75706E-306	5/16	3/8	5/8-18	3.28	1.88	2.00	5/8
75708E-308	13/32	1/2	3/4-16	3.40	2.00	2.13	3/4
75710E-310	1/2	5/8	7/8-14	3.71	2.31	2.50	7/8
75712E-312	5/8	3/4	1-1/16-14	4.00	2.50	2.75	1-1/16

To determine the correct length of hose, subtract the cut-off factor for each end fitting from the overall length of assembly. All dimensions shown in inches.

757 "E" series

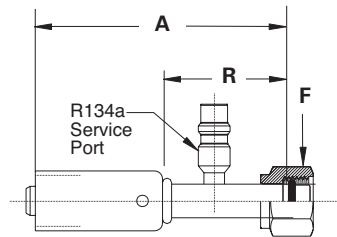
Bumped tube O-Ring Female swivel



PART NUMBER	HOSE I.D.	TUBE SIZE	THREAD SIZE	LENGTH A	RUN R	HOSE CUT-OFF FACTOR	HEX F	O-RING
75706E-Z47	5/16	3/8	5/8-18	2.78	1.38	1.50	3/4	ZW74706
75706E-Z49	5/16	1/2	3/4-16	2.90	1.50	1.63	7/8	ZW74708
75708E-Z49	13/32	1/2	3/4-16	3.06	1.66	1.75	7/8	ZW74708
75708E-Z51	13/32	5/8	7/8-14	3.09	1.69	1.88	1-1/16	ZW74710
75710E-Z51	1/2	5/8	7/8-14	3.09	1.69	1.88	1-1/16	ZW74710
75710E-Z53	1/2	3/4	1-1/16-14	3.21	1.81	2.00	1-1/4	ZW74712
75712E-Z51	5/8	5/8	7/8-14	3.31	1.81	2.00	1-1/16	ZW74710
75712E-Z53	5/8	3/4	1-1/16-14	3.31	1.81	2.00	1-1/4	ZW74712

(Includes O-ring).

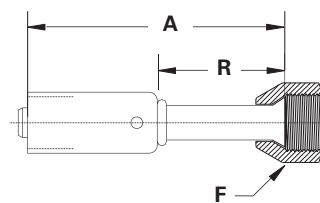
Bumped tube O-Ring Female swivel W/R134a Service port



PART NUMBER	HOSE I.D.	TUBE SIZE	THREAD SIZE	LENGTH A	RUN R	HOSE CUT-OFF LENGTH	HEX F	O-RING
75706E-Z57*	5/16	3/8	5/8-18	4.28	1.88	3.00	3/4	ZW74706
75708E-Z59*	13/32	1/2	3/4-16	4.28	1.88	3.00	7/8	ZW74708
75710E-Z61**	1/2	5/8	7/8-14	4.52	2.12	3.25	1-1/16	ZW74710
75712E-Z61**	5/8	5/8	7/8-14	4.62	3.05	3.25	1-1/16	ZW74710

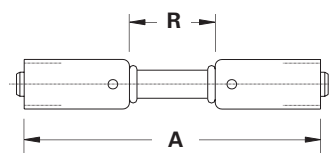
*High side port
**Low side port
(Includes O-ring)

SAE 45° flare female swivel



PART NUMBER	HOSE I.D.	TUBE SIZE	THREAD SIZE	LENGTH A	RUN R	HOSE CUT-OFF FACTOR	HEX F
75706E-406	5/16	3/8	5/8-18	2.78	1.38	1.50	3/4
75706E-408	5/16	1/2	3/4-16	2.90	1.50	1.75	7/8
75708E-408	13/32	1/2	3/4-16	2.84	1.44	1.56	7/8
75710E-410	1/2	5/8	7/8-14	3.09	1.69	1.81	1-1/16
75712E-410	5/8	5/8	7/8-14	3.25	1.75	2.00	1-1/16
75712E-412	5/8	3/4	1-1/16-14	3.25	1.75	2.00	1-1/4

Hose splicer

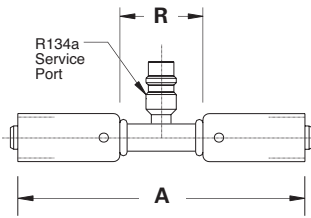


PART NUMBER	HOSE I.D.	HOSE I.D.	LENGTH A	RUN R	HOSE CUT-OFF FACTOR
75706E-Y36	5/16	5/16	4.30	1.50	1.50
75706E-Y38	5/16	13/32	4.30	1.50	1.50
75708E-Y38	13/32	13/32	4.30	1.50	1.50
75708E-Y40	13/32	1/2	4.43	1.63	1.63
75710E-Y40	1/2	1/2	4.43	1.63	1.63
75710E-Y41	1/2	5/8	4.65	1.75	1.75
75712E-Y41	5/8	5/8	4.75	1.75	1.75

To determine the correct length of hose, subtract the cut-off factor for each end fitting from the overall length of assembly. All dimensions shown in inches.

757 "E" series

Hose splicer w/R134a service port



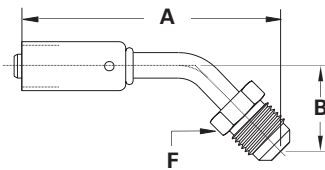
PART NUMBER	HOSE I.D.	HOSE I.D.	LENGTH A	RUN R	HOSE CUT-OFF FACTOR
75706E-Y47*	5/16	5/16	5.42	2.62	1.50
75708E-Y48*	13/32	13/32	5.42	2.62	1.50
75710E-Y49**	1/2	1/2	5.42	2.62	1.63
75712E-Y50**	5/8	5/8	5.62	2.62	1.75

(For crimping information refer to document W-HOOV-TM001-E2.)

*High side port

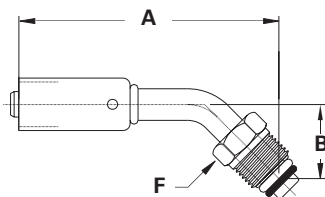
**Low side port

SAE 45° flare male rigid 45° tube elbow



PART NUMBER	HOSE I.D.	TUBE SIZE	THREAD SIZE	LENGTH A	DROP B	HOSE CUT-OFF FACTOR	HEX F
75708E-388	13/32	1/2	3/4-16	3.65	1.25	2.50	3/4
75710E-390	1/2	5/8	7/8-14	4.21	1.56	3.00	7/8

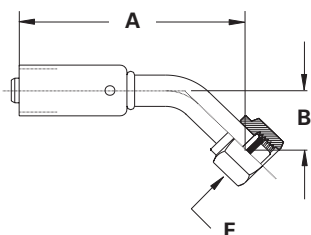
Bumped tube O-Ring Male swivel 45° tube elbow



PART NUMBER	HOSE I.D.	TUBE SIZE	THREAD SIZE	LENGTH A	RUN B	HOSE CUT-OFF FACTOR	HEX F	O-RING
75706E-Z26	5/16	3/8	5/8-18	3.09	0.88	1.88	5/8	ZW74706
75708E-Z28	13/32	1/2	3/4-18	3.59	1.03	2.38	3/4	ZW74708
75710E-Z30	1/2	5/8	7/8-18	3.71	1.06	2.50	7/8	ZW74710
75712E-Z30	5/8	5/8	7/8-18	4.19	1.19	2.88	7/8	ZW74710
75712E-Z32	5/8	3/4	1-1/16-16	4.19	1.19	2.88	1-1/16	ZW74712

(Includes O-ring).

Bumped tube O-Ring Female swivel 45° tube elbow



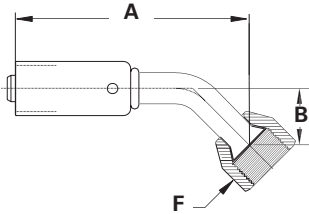
PART NUMBER	HOSE I.D.	TUBE SIZE	THREAD SIZE	LENGTH A	RUN B	HOSE CUT-OFF FACTOR	HEX F	O-RING
75706E-W47	5/16	3/8	5/8-18	3.51	0.68	2.25	3/4	ZW74706
75708E-W49	13/32	1/2	3/4-16	3.63	1.05	2.25	7/8	ZW74708
75710E-W51	1/2	5/8	7/8-14	3.65	1.19	2.50	1-1/16	ZW74710
75712E-W51	5/8	5/8	7/8-14	4.00	1.29	2.75	1-1/16	ZW74710
75712E-W53	5/8	3/4	1-1/16-14	3.84	0.94	2.50	1-1/4	ZW74712

(Includes O-ring).

To determine the correct length of hose, subtract the cut-off factor for each end fitting from the overall length of assembly. All dimensions shown in inches.

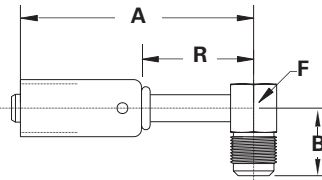
757 "E" series

SAE 45° Flare Female swivel 45° tube elbow



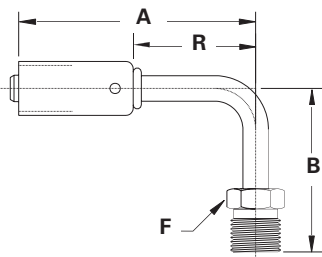
PART NUMBER	HOSE I.D.	TUBE SIZE	THREAD SIZE	LENGTH A	DROP B	HOSE CUT-OFF FACTOR	HEX F
75706E-486	5/16	3/8	5/8-18	3.42	.55	2.00	3/4
75708E-488	13/32	1/2	3/4-16	3.72	.58	2.50	7/8
75710E-490	1/2	5/8	7/8-14	4.34	.72	3.00	1-1/16

SAE 45° Male rigid 90° elbow



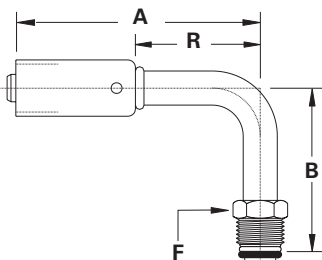
PART NUMBER	HOSE I.D.	TUBE SIZE	THREAD SIZE	LENGTH A	RUN R	DROP B	HOSE CUT-OFF FACTOR	HEX SQUARE F
75706E-X06	5/16	3/8	5/8-18	4.07	2.67	.91	3.00	5/8
75708E-X08	13/32	1/2	3/4-16	4.14	2.74	1.47	3.00	7/8
75710E-X10	1/2	5/8	7/8-14	4.25	2.85	1.47	3.00	7/8
75712E-X12	5/8	3/4	1-1/16-14	4.45	2.95	1.56	3.00	1-1/16

Bumped tube O-Ring Male rigid 90° tube elbow



PART NUMBER	HOSE I.D.	TUBE SIZE	THREAD SIZE	LENGTH A	RUN R	DROP B	HOSE CUT-OFF FACTOR	HEX F
75706E-W66	5/16	3/8	5/8-18	4.00	2.60	1.53	2.75	5/8
75708E-W68	13/32	1/2	3/4-16	4.07	2.67	2.12	2.75	3/4
75710E-W70	1/2	5/8	7/8-14	4.15	2.75	2.21	2.88	7/8

Bumped tube O-Ring Male swivel 90° tube elbow



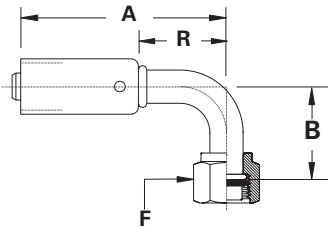
PART NUMBER	HOSE I.D.	TUBE SIZE	THREAD SIZE	LENGTH A	RUN R	DROP B	HOSE CUT-OFF FACTOR	HEX F	O-RING
75706E-Z66	5/16	3/8	5/8-18	4.00	2.60	1.53	2.75	5/8	ZW74706
75706E-Z68	5/16	1/2	3/4-18	4.07	2.67	1.53	2.75	3/4	ZW74708
75708E-Z66	13/32	3/8	5/8-18	4.00	2.60	1.77	2.75	5/8	ZW74706
75708E-Z68	13/32	1/2	3/4-18	4.07	2.67	2.12	2.75	3/4	ZW74708
75710E-Z70	1/2	5/8	7/8-18	4.15	2.75	2.21	2.88	7/8	ZW74710
75710E-Z72	1/2	3/4	1-1/16-16	4.25	2.85	2.35	3.00	1-1/16	ZW74712
75712E-Z70	5/8	5/8	7/8-18	4.24	2.74	2.25	2.88	7/8	ZW74710
75712E-Z72	5/8	3/4	1-1/16-16	4.35	2.85	2.87	3.00	1-1/16	ZW74712

(Includes O-ring).

757 'E' series

To determine the correct length of hose, subtract the cut-off factor for each end fitting from the overall length of assembly. All dimensions shown in inches.

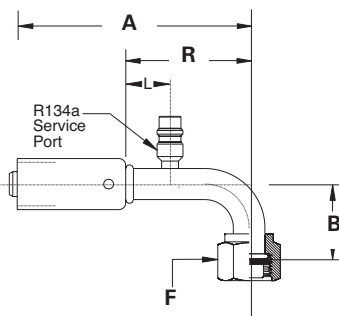
Bumped tube O-Ring Female swivel 90° tube elbow



PART NUMBER	HOSE I.D.	TUBE SIZE	THREAD SIZE	LENGTH A	RUN R	DROP B	HOSE CUT-OFF FACTOR	HEX F	O-RING
75706E-Z87	5/16	3/8	5/8-18	4.07	2.67	1.12	2.75	3/4	ZW74706
75706E-Z89	5/16	1/2	3/4-16	4.14	2.74	1.31	2.88	7/8	ZW74708
75708E-Z87	13/32	3/8	5/8-18	4.07	2.67	1.31	2.75	3/4	ZW74706
75708E-Z89	13/32	1/2	3/4-16	4.14	2.74	1.50	2.88	7/8	ZW74708
75710E-Z91	1/2	5/8	7/8-14	4.25	2.85	1.75	3.00	1-1/16	ZW74710
75712E-Z91	5/8	5/8	7/8-14	4.35	2.85	1.75	3.00	1-1/16	ZW74710
75712E-Z93	5/8	3/4	1-1/16-14	4.45	2.95	1.75	3.13	1-1/4	ZW74712

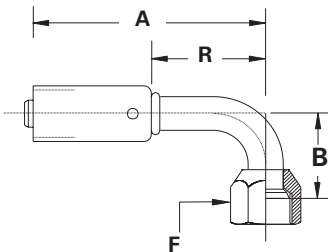
(Includes O-Ring)

Bumped tube O-Ring Female swivel 90° tube elbow w/R134a service port



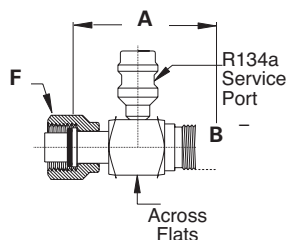
PART NUMBER	HOSE I.D.	TUBE SIZE	A	THREAD SIZE	RUN R	DROP B	HOSE CUT-OFF FACTOR	HEX F	LENGTH L	O-RING
75706E-Z97*	5/16	3/8	2.52	5/8-18	2.12	1.12	2.75	3/4	1.50	ZW74706
75708E-Z99*	13/32	1/2	4.15	3/4-16	2.75	1.68	2.88	7/8	1.50	ZW74708
75710E-Z01**	1/2	5/8	3.78	7/8-14	2.38	1.50	3.00	1-1/16	1.50	ZW74710
75712E-Z01**	5/8	5/8	4.61	7/8-14	3.11	1.95	3.00	1-1/16	1.50	ZW74710

SAE 45° Flare Female swivel 90° tube elbow



PART NUMBER	HOSE I.D.	TUBE SIZE	A	THREAD SIZE	RUN R	DROP B	HOSE CUT-OFF FACTOR	HEX F
75706E-466	5/16	3/8	4.07	5/8-18	2.67	1.12	2.75	3/4
75708E-468	13/32	1/2	4.14	3/4-16	2.74	1.31	2.88	7/8
75710E-470	1/2	5/8	4.25	7/8-14	2.85	1.56	3.00	1-1/16
75712E-470	5/8	5/8	4.35	7/8-14	2.85	1.50	3.00	1-1/16
75712E-472	5/8	3/4	4.45	1-1/16-14	2.95	1.75	3.13	1-1/4

Bumped tube O-Ring service port adapter w/R134a service port



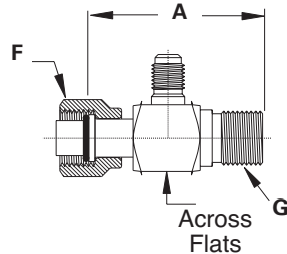
PART NUMBER	TUBE A	THREAD SIZE	LENGTH A	ACROSS FLATS	HEX F	O-RING
75701*	3/8	5/8-18	2.02	5/81	3/4	ZW74706
75702*	1/2	3/4-16	2.22	7/8	7/8	ZW74708
75704**	5/8	7/8-14	2.63	7/8	1-1/16	ZW74710
75706**	3/4	1-1/16-14	2.89	1-1/16	1-1/4	ZW74712

(Includes O-ring).

*High side port
**Low side port

757 'E' series

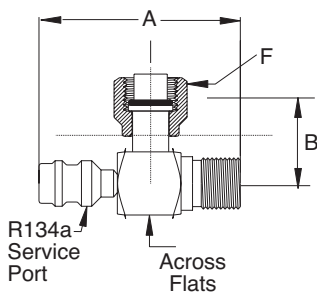
Bumped tube O-Ring service port adapter w/R12 service port



PART NUMBER	TUBE SIZE	THREAD SIZE G	LENGTH A	ACROSS FLATS	HEX F	SERVICE PORT THREAD	O-RING
R12-Z56*	3/8	5/8-18	2.02	5/81	3/4	3/8-24	ZW74706
R12-Z58*	1/2	3/4-16	2.22	7/8	7/8	3/8-24	ZW74708
R12-Z60**	5/8	7/8-14	2.63	7/8	1-1/16	3/8-24	ZW74710
R12-Z62**	3/4	1-1/16-14	2.89	1-1/16	1-1/4	7/16-20	ZW74712

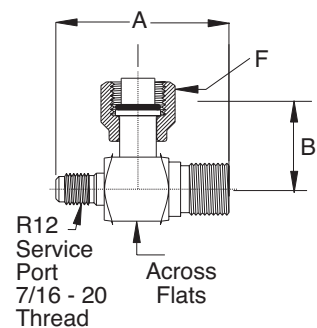
(Includes O-ring).
*High side port
**Low side port

90° Bumped tube O-Ring R134a service port adapter



PART NUMBER	TUBE SIZE	THREAD SIZE G	LENGTH A	DROP B	ACROSS FLATS	HEX F	O-RING
75729*	3/8	5/8-18	2.40	1.05	5/8	3/4	ZW74706
75730*	1/2	3/4-16	2.60	1.15	7/8	7/8	ZW74708
75731**	5/8	7/8-14	2.74	1.30	7/8	1-1/16	ZW74710
75732**	3/4	1-1/16-14	3.10	1.39	1-1/16	1-1/4	ZW74712

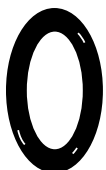
90° Bumped tube O-Ring R12 service port adapter



PART NUMBER	TUBE SIZE	THREAD SIZE G	LENGTH A	DROP B	ACROSS FLATS	HEX F	O-RING
R12-Z96*	3/8	5/8-18	2.07	1.05	5/8	3/4	ZW74706
R12-Z97*	1/2	3/4-16	2.27	1.15	7/8	7/8	ZW74708
R12-Z98**	5/8	7/8-14	2.41	1.30	7/8	1-1/16	ZW74710
R12-Z99**	3/4	1-1/16-16	2.77	1.39	1-1/16	1-1/4	ZW74712

(Includes O-ring).
*High side port
**Low side port

Replacement O-Rings



PART NUMBER	TUBE O.D.
ZW74706	3/8
ZW74708	1/2
ZW74710	5/8
ZW74712	3/4

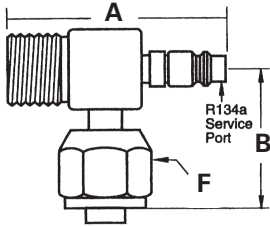
Material: Hydrogenated Nitrile (HNBR), 70 Durometer

Temperature range:
-40°F to +250°F
(-40°C to +121°C)

Color: Green

757 "E" series

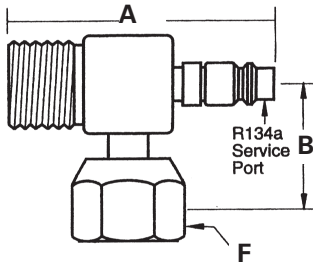
Tube-O to Male bumped tube O-Ring 90° elbow with R134a service



PART NUMBER	TUBE SIZE	LENGTH A	DROP B	TUBE-O THREAD F
75750*	1/2	2.64	1.15	3/4-16
75751**	5/8	2.78	1.29	7/8-14

* High-side
** Low-side

Rotalok to Male bumped tube O-Ring 90° elbow with R134a service

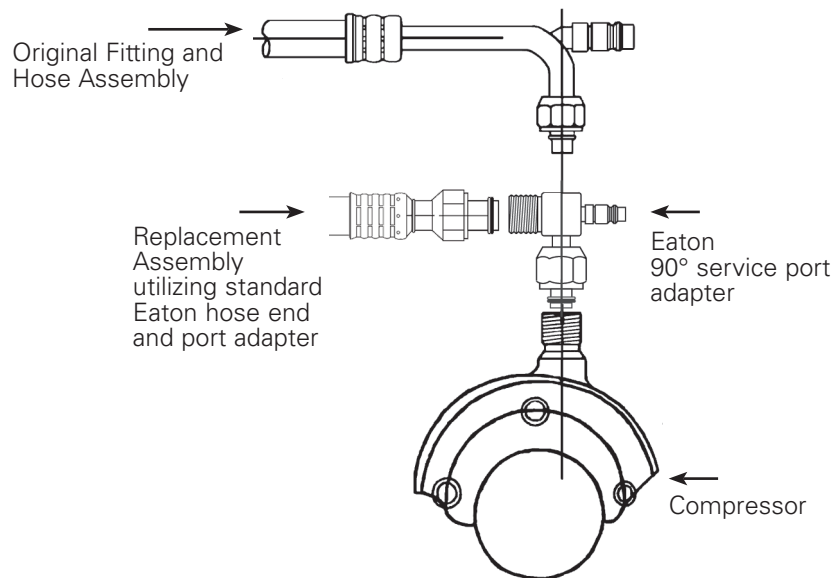


PART NUMBER	TUBE SIZE	LENGTH A	DROP B	ROTALOK THREAD F
75760*	1/2	2.64	1.15	1-14
75761**	5/8	2.78	1.29	1-14

* High-side
** Low-side

Service instructions for replacement of damaged O.E. hose assemblies

Eaton service port adapters offer an alternative to the high cost of replacement and time out of service which can occur when an air conditioning assembly is damaged. By using the Eaton adapter, service personnel can remove the damaged end and replace it with a standard Eaton 757 'E' series hose end used in conjunction with a Eaton service port adapter. This is a welcome solution to get your customer back on the road without special orders and long delays.



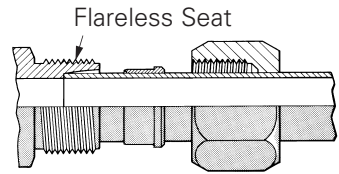
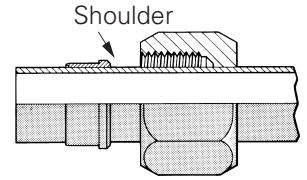
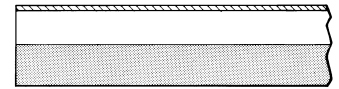
**757 "E" series
air conditioning
procedure**

The crimp machine system can be used to make original equipment assemblies using factory replacement ends. If the required hose end is not found, our Flareless hose end can be used. By following the instructions on this page, a new hose assembly can be made by combining Eaton hose end with the original equipment end configuration.

- Typical original equipment assembly
- Typical assembly of a flareless hose end used with an old original equipment end configuration
- Weatherhead replacement assemblies using original equipment tubing with Weatherhead 757 'E' Series hose ends

Preparation – Flareless tube assembly

1. Remove the bad tube assembly or if room permits, perform the cutting procedure in place. Cut the tube squarely and as close to the hose connection as possible. Allow an adequate straight area for the flareless nut and sleeve to move freely for installation purposes. Deburr the inside and outside diameters of the tubing.



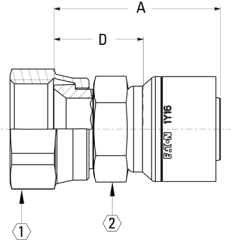
compensate for tubing being removed by adding to the over all length of the replacement hose assembly.

Make presetting operation

1. Slide nut and then sleeve onto tube. Shoulder of sleeve must be toward nut.
2. Lubricate threads, seat in hose end, and flareless sleeve with a good grade of lubricant. Insert tube into seat of hose end, making sure that tube is bottomed, **TIGHTEN HAND TIGHT** and then tighten an **ADDITIONAL 1 to 1-1/6 turns** with a wrench.

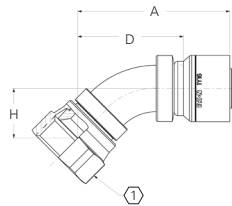
FC800 series

SAE 37° Swivel Straight



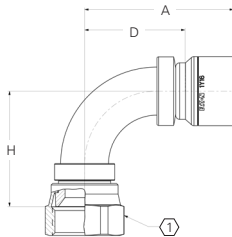
PART NUMBER	TUBE SIZE	THREAD	A REF INCH	A REF MM	D REF INCH	D REF MM	① REF	② REF
1Y16FJ16	16	1-5/16 - 12	2.27	57.6	1.22	30.9	1-1/2	1-1/4
1Y20FJ20	20	1-5/8 - 12	2.80	71.1	1.50	38.1	2	1-9/16
1Y24FJ24	24	1-7/8 - 12	3.29	83.5	1.69	42.9	2-1/4	1-13/16

SAE 37° Swivel 45° elbow



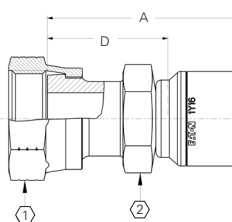
PART NUMBER	TUBE SIZE	THREAD	A REF INCH	A REF MM	D REF INCH	D REF MM	H REF IN	H REF MM	① REF
1Y16FJA16	16	1-5/16 - 12	3.28	83.2	2.27	57.7	1.07	27.1	1-1/2
1Y20FJA20	20	1-5/8 - 12	3.72	94.5	2.54	64.5	1.22	31.0	2
1Y24FJA24	24	1-7/8 - 12	5.66	143.8	4.15	105.5	1.89	48.0	2-1/4

SAE 37° Swivel 90° elbow



PART NUMBER	TUBE SIZE	THREAD	A REF INCH	A REF MM	D REF INCH	D REF MM	H REF IN	H REF MM	① REF
1Y16FJB16	16	1-5/16 - 12	3.09	78.5	2.08	52.9	2.39	60.7	1-1/2
1Y20FJB20	20	1-5/8 - 12	3.54	89.9	2.35	59.6	2.75	69.8	2
1Y24FJB24	24	1-7/8 - 12	4.15	105.5	2.65	67.2	3.17	80.6	2-1/4

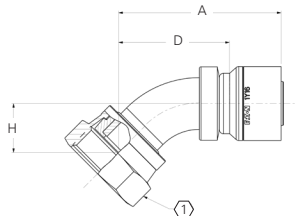
ORS Swivel 45° elbow



PART NUMBER	TUBE SIZE	THREAD	A REF INCH	A REF MM	D REF INCH	D REF MM	① REF	② REF
1Y16FR16	16	1-7/16 - 12	2.87	72.9	1.82	46.2	41	36
1Y20FR20	20	1-11/32 - 12	3.37	85.6	2.07	52.6	1-7/8	1-5/8
1Y24FR24	24	2 - 12	3.81	96.8	2.21	56.2	2-1/4	2

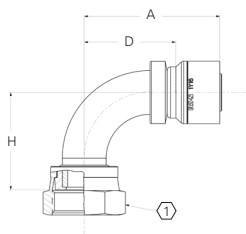
FC800 series

**ORS Swivel
45° elbow**



PART NUMBER	TUBE SIZE	THREAD	A REF INCH	A REF MM	D REF INCH	D REF MM	H REF IN	H REF MM	① REF
1Y16FRA16	16	1-7/16 - 12	3.16	80.2	2.15	54.7	.94	24	1-5/8
1Y20FRA20	20	1-11/32 - 12	3.60	91.4	2.42	61.4	.98	25	1-7/8
1Y24FRA24	24	2 - 12	4.06	103	2.55	64.7	1.07	27.3	2-1/4

**ORS Swivel
90° elbow**

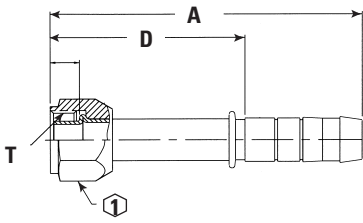


PART NUMBER	TUBE SIZE	THREAD	A REF INCH	A REF MM	D REF INCH	D REF MM	H REF IN	H REF MM	① REF
1Y16FRB16	16	1-7/16 - 12	3.09	78.5	2.08	52.9	2.22	56.4	1-5/8
1Y20FRB20	20	1-11/32 - 12	3.53	89.6	2.35	59.6	2.50	63.5	1-7/8
1Y24FRB24	24	2 - 12	4.15	105.5	2.65	67.2	2.70	68.6	2-1/4





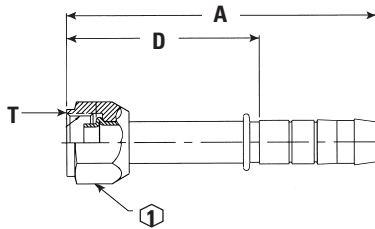
FJ4905



Female O-Ring (long pilot)

PART NUMBER	TH'D "T"	HOSE SIZE	A REF	D REF	F REF	H REF	① REF
FJ4905-07-0606S	5/8-18	6	2.98	1.94	—	—	0.75
FJ4905-02-0606S	5/8-18	6	4.08	3.04	—	—	0.75
FJ4905-04-0606S	5/8-18	6	2.85	1.82	—	—	0.75
FJ4905-01-0808S	3/4-16	8	4.21	3.07	—	—	0.88
FJ4905-08-0808S	3/4-16	8	3.72	2.58	—	—	0.88
FJ4905-10-0808S	3/4-16	8	2.50	1.38	—	—	0.88
FJ4905-09-0810S	7/8-14	10	4.14	2.62	—	—	0.88
FJ4905-05-1010S	7/8-14	10	4.33	2.81	—	—	1.06
FJ4905-03-1012S	1-1/16-14	12	4.69	2.93	—	—	1.06
FJ4905-09-1212S	1-1/16-14	12	4.99	3.22	—	—	1.25

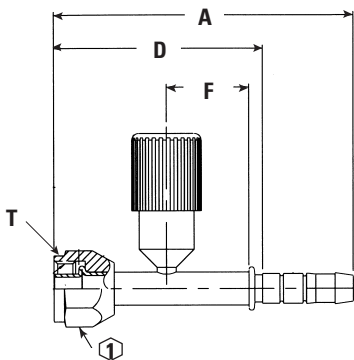
FJ4906



Female O-Ring (short pilot)

PART NUMBER	TH'D "T"	HOSE SIZE	A REF	D REF	F REF	H REF	① REF
FJ4906-03-0606S	5/8-18	6	3.00	1.95	—	—	0.75
FJ4906-04-0808S	3/4-16	8	3.59	2.46	—	—	0.88
FJ4906-05-1010S	7/8-14	10	4.27	2.75	—	—	1.06
FJ4906-01-1012S	7/8-14	12	4.66	2.90	—	—	1.06
FJ4906-06-1212S	1-1/16-14	12	5.19	3.43	—	—	1.25
FJ4906-06-0606S	5/8-18	6	2.49	1.45	—	—	0.75
FJ4906-07-0806S	3/4-16	6	3.16	2.11	—	—	0.88

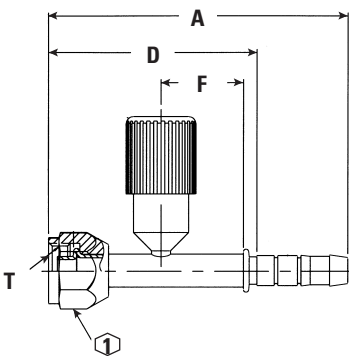
FJ4917/FJ2815



Female O-Ring (long pilot) with high side charge port

PART NUMBER	TH'D "T"	HOSE SIZE	A REF	D REF	F REF	H REF	① REF
FJ4917-01-0606S*	5/8-18	6	3.43	2.39	0.94	—	0.75
FJ4917-02-0808S*	3/4-16	8	3.74	2.60	0.94	—	0.88
FJ4917-03-1010S*	7/8-14	10	4.00	2.88	0.94	—	1.06
FJ2815-01-0606S*	M18 x 1.5	6	4.62	3.58	0.94	—	0.88

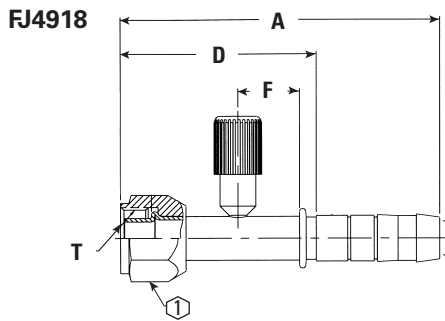
FJ4919



Female O-Ring (short pilot) with high side charge port

PART NUMBER	TH'D "T"	HOSE SIZE	A REF	D REF	F REF	H REF	① REF
FJ4919-01-0606S*	5/8-18	6	3.42	2.38	0.94	—	0.75
FJ4919-02-0808S	3/4-16	8	3.73	2.14	1.12	—	0.88
FJ4919-03-1212S*	1-1/16-14	12	4.00*	2.88	0.94	—	1.25

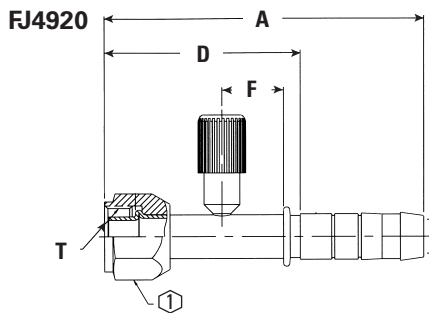
* MTO (made to order)



Female O-Ring (long pilot) with low side charge port

PART NUMBER	TH'D "T"	HOSE SIZE	A REF	D REF	F REF	H REF	① REF
FJ4918-01-1010S*	7/8-14	10	4.33	2.81	0.88	—	0.88
FJ4918-02-1012S	7/8-14	12	4.57	2.80	0.88	—	0.88
FJ4918-03-1212S*	1-1/16-14	12	4.21	3.09	0.88	—	1.06

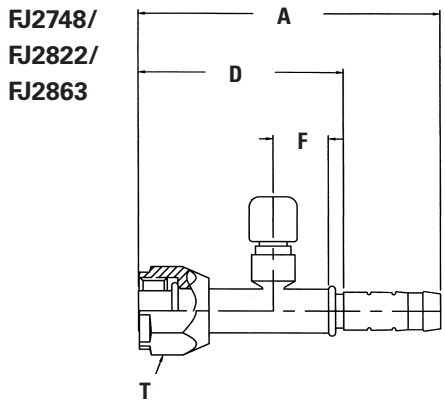
* MTO (made to order)



Female O-Ring (short pilot) with low side charge port

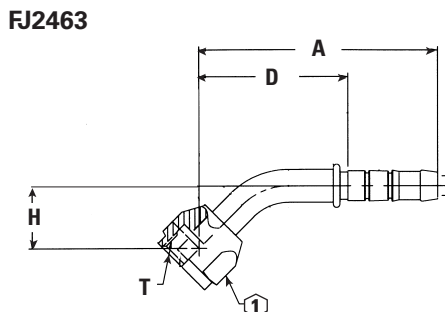
PART NUMBER	TH'D "T"	HOSE SIZE	A REF	D REF	F REF	H REF	① REF
FJ4920-01-1010S	7/8-14	10	4.83	3.31	0.88	—	1.06
FJ4920-02-1012S*	7/8-14	12	3.93	2.81	0.88	—	1.06
FJ4920-03-1212S*	1-1/16-14	12	4.19	3.07	0.88	—	1.25

* MTO (made to order)



Straight female O-Ring, (long pilot) with switch port

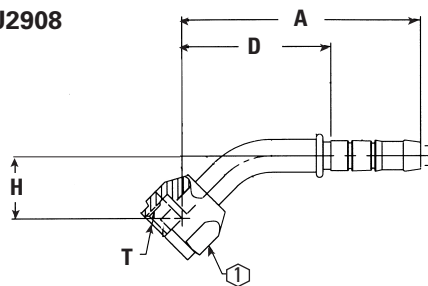
PART NUMBER	TH'D "T"	HOSE SIZE	A REF	D REF	F REF	H REF	① REF
FJ2748-0808S	3/4-16	8	5.17	—	0.87	—	7/16-20
FJ2822-01-0808S	3/4-16	8	3.49	2.37	0.63	—	M10 x 1.25
FJ2863-01-0810S	3/4-16	10	4.51	12.99	0.63	—	M10 x 1.25



45° female O-Ring (short pilot)

PART NUMBER	TH'D "T"	HOSE SIZE	A REF	D REF	F REF	H REF	① REF
FJ2463-01-0606S	5/8-18	6	2.74	1.70	—	0.71	0.75
FJ2463-04-1010S	7/8-14	10	3.92	2.40	—	1.19	1.06
FJ2463-02-0808S	3/4-16	8	3.07	1.93	—	0.87	0.88
FJ2463-03-1010S	7/8-14	10	4.22	2.48	—	1.12	1.06

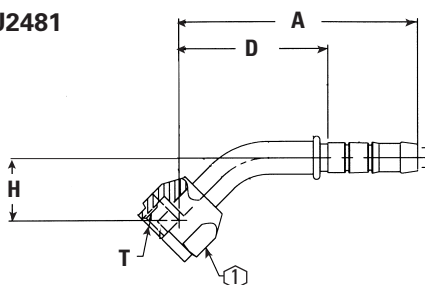
FJ2908



45° female O-Ring (long pilot)

PART NUMBER	TH'D "T"	HOSE SIZE	A REF	D REF	F REF	H REF	① REF
FJ2908-02-0808S	3/4-16	8	3.07	1.93	0.87	—	0.88

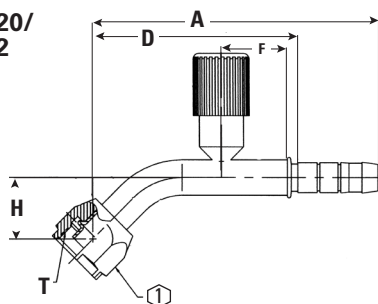
FJ2481



45° female O-Ring (long pilot)

PART NUMBER	TH'D "T"	HOSE SIZE	A REF	D REF	F REF	H REF	① REF
FJ2481-1212S	1 1/16-14	12	2.75	—	—	1.02	1.25

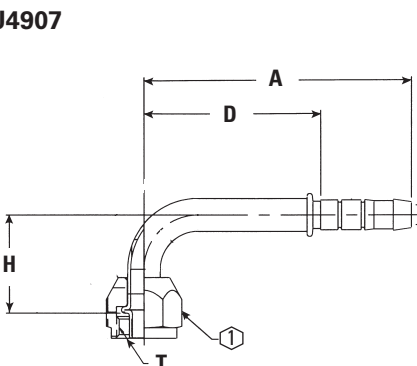
FJ2220/ FJ222



45° female O-Ring (short pilot) with charge port

PART NUMBER	TH'D "T"	HOSE SIZE	A REF	D REF	F REF	H REF	① REF
FJ2220-01-0808S	3/4-16	8	4.08	2.94	0.94	0.87	High
FJ2221-01-1010S	7/8-14	10	4.79	3.27	0.88	1.19	Low

FJ4907

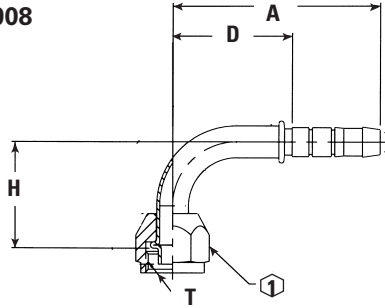


90° O-Ring (long pilot)

PART NUMBER	TH'D "T"	HOSE SIZE	A REF	D REF	F REF	H REF	① REF
FJ4907-02-0606S	5/8-18	6	3.06	2.03	—	1.25	0.75
FJ4907-04-0606S	5/8-18	6	2.78	1.75	—	1.38	0.75
FJ4907-09-0606S	5/8-18	6	3.10	2.07	—	2.40	0.75
FJ4907-03-0808S	3/4-16	8	2.79	1.65	—	1.62	0.88
FJ4907-11-0808S	3/4-16	8	2.79	1.65	—	2.95	0.88
FJ4907-07-1010S	7/8-14	10	3.46	1.93	—	1.89	1.06
FJ4907-05-1012S	7/8-14	12	3.75	1.99	—	1.80	1.06
FJ4907-12-1012S*	7/8-14	12	3.75	1.99	—	2.95	1.06
FJ4907-08-1212S	1-1/16-14	12	4.05	2.29	—	2.56	1.25
FJ4907-01-0606S	5/8-18	6	2.69	1.66	—	1.25	0.75

*MTO (made to order)

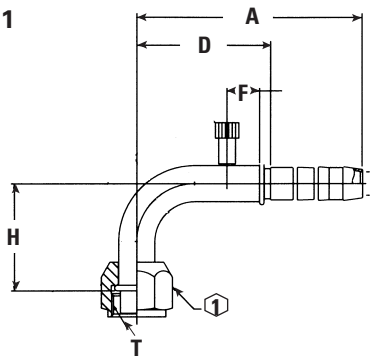
FJ4908



90° O-Ring (short pilot)

PART NUMBER	TH'D "T"	HOSE SIZE	A REF	D REF	F REF	H REF	① REF
FJ4908-02-0606S	5/8-18	6	2.46	1.42	—	1.25	0.75
FJ4908-01-0808S	3/4-16	8	2.79	1.65	—	1.68	0.88
FJ4908-05-1010S	7/8-14	10	3.46	1.94	—	2.00	1.06
FJ4908-04-1012S	7/8-14	12	3.75	1.99	—	2.00	1.06
FJ4908-06-1212S	1-1/16-14	12	4.06	2.29	—	2.30	1.25
FJ4908-09-0606S	5/8-18	6	2.48	1.42	—	2.50	0.75
FJ4908-10-0806S	3/4-16	6	2.74	1.68	—	1.88	0.88

FJ4921

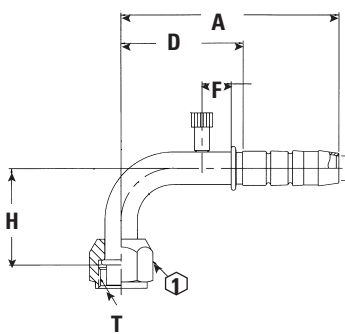


90° female O-Ring (long pilot) with high side charge port

PART NUMBER	TH'D "T"	HOSE SIZE	A REF	D REF	F REF	H REF	① REF
FJ4921-01-0606S*	5/8-18	6	3.38	2.44	0.94	1.40	0.75
FJ4921-02-0808S	3/4-16	8	4.05	2.91	0.94	1.68	0.88
FJ4921-03-1010S*	7/8-14	10	4.10	3.00	0.94	2.00	1.06

*MTO (made to order)

FJ4922

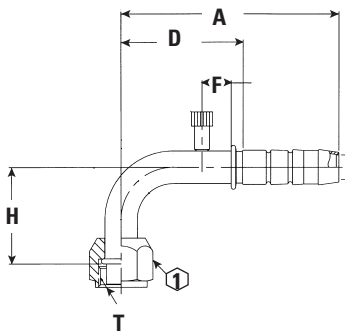


90° female O-Ring (long pilot) with low side charge port

PART NUMBER	TH'D "T"	HOSE SIZE	A REF	D REF	F REF	H REF	① REF
FJ4922-01-1010S*	7/8-14	10	3.98	2.88	0.88	2.00	1.06
FJ4922-02-1012S	7/8-14	12	4.73	2.83	0.88	2.00	1.06
FJ4922-03-1212S*	1-1/16-14	12	4.24	3.13	0.88	2.30	1.25

*MTO (made to order)

FJ4923

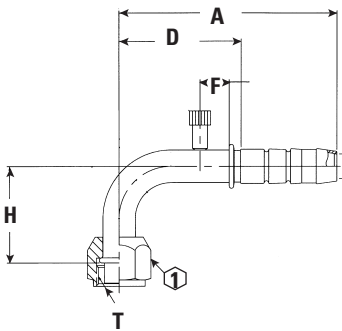


90° female O-Ring (short pilot) with high side charge port

PART NUMBER	TH'D "T"	HOSE SIZE	A REF	D REF	F REF	H REF	① REF
FJ4923-01-0606S*	5/8-18	6	3.38	2.44	0.94	1.40	0.75
FJ4923-02-0808S	3/4-16	8	3.83	2.69	0.94	1.68	0.88
FJ4923-03-1010S*	7/8-14	10	4.10	3.00	0.94	2.00	1.06

*MTO (made to order)

FJ4924

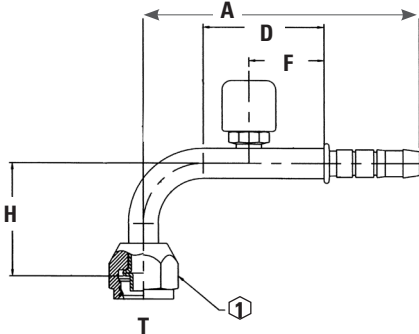


90° female O-Ring (short pilot) with low side charge port

PART NUMBER	TH'D "T"	HOSE SIZE	A REF	D REF	F REF	H REF	① REF
FJ4924-01-1010S	7/8-14	10	4.39	2.88	0.88	2.00	1.06
FJ4924-02-1012S*	7/8-14	12	3.98	2.88	0.88	2.00	1.06
FJ4924-03-1212S*	1-1/16-14	12	4.24	3.13	0.88	2.30	1.25

* MTO (made to order)

FJ2222

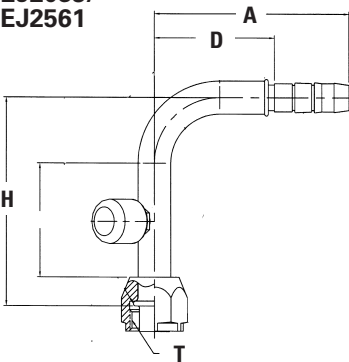


90° female O-Ring (short pilot) with switch port

PART NUMBER	TH'D "T"	HOSE SIZE	A REF	D REF	F REF	H REF	① REF
FJ2222-01-0606S	5/8-18	6	3.45	1.51	0.94	1.40	7/16-20

* MTO (made to order)

EJ2083/ EJ2561

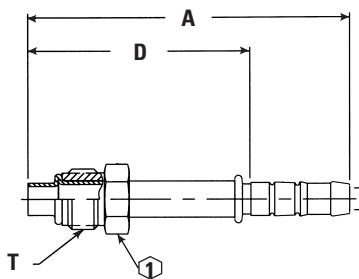


90° female O-Ring (long pilot) with switch port

PART NUMBER	TH'D "T"	HOSE SIZE	A REF	D REF	F REF	H REF	① REF
EJ2083-01-0808S	3/4-16	8	2.97	1.83	*	3.15	7/16-20
EJ2561-01-0810S	3/4-16	10	4.46	2.94	*	1.68	M10 x 1.25

* Port located on drop

FJ4901

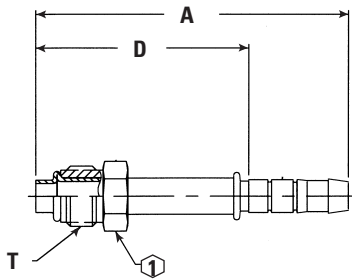


Male O-Ring (long pilot)

PART NUMBER	TH'D "T"	HOSE SIZE	A REF	D REF	F REF	H REF	① REF
FJ4901-05-0606S	5/8-18	6	3.34	2.31	—	—	0.62
FJ4901-01-0606S	5/8-18	6	4.09	3.05	—	—	0.62
FJ4901-06-0808S*	3/4-18	8	3.81	2.88	—	—	0.75
FJ4901-03-1010S*	7/8-18	10	4.30	3.20	—	—	0.88
FJ4901-07-1012S*	7/8-18	12	4.32	3.20	—	—	0.88
FJ4901-04-1212S*	1-1/16-16	12	4.41	3.29	—	—	1.06

* MTO (made to order)

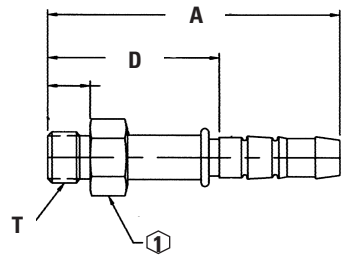
FJ4902



Male O-Ring (short pilot)

PART NUMBER	TH'D "T"	HOSE SIZE	A REF	D REF	F REF	H REF	① REF
FJ4902-02-0606S	5/8-18	6	3.25	2.21	—	—	0.62
FJ4902-04-0808S	3/4-18	8	4.30	3.16	—	—	0.75
FJ4902-01-1010S	7/8-18	10	4.46	2.94	—	—	0.88
FJ4902-03-1012S	7/8-18	12	4.76	3.00	—	—	0.88
FJ4902-05-1212S	1-1/16-16	12	4.90	3.13	—	—	1.06

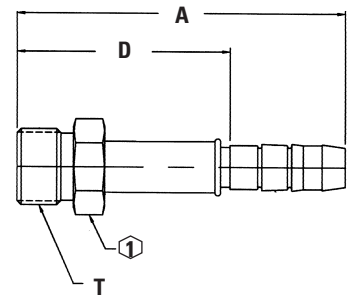
FJ2241



Straight male O-Ring boss

PART NUMBER	TH'D "T"	HOSE SIZE	A REF	D REF	F REF	H REF	① REF
FJ2241-0406S	7/16-20	6	2.50	1.46	—	—	0.56

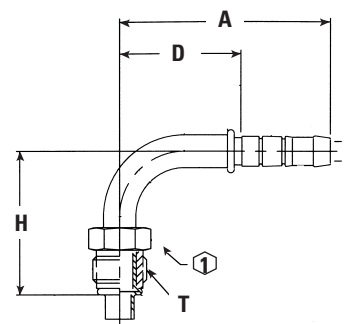
**FJ2074/
FJ2710/
FJ2749**



Straight MIO (male insert O-Ring)

PART NUMBER	TH'D "T"	HOSE SIZE	A REF	D REF	F REF	H REF	① REF
FJ2074-05-0808S	3/4-16	8	3.25	2.11	—	—	0.81
FJ2074-02-1012S	7/8-14	12	4.35	2.59	—	—	0.94
FJ2710-0606S	5/8-18	6	4.16	3.12	—	—	0.69
FJ2749-1012S	7/8-14	12	5.08	3.32	—	—	0.94

FJ4903



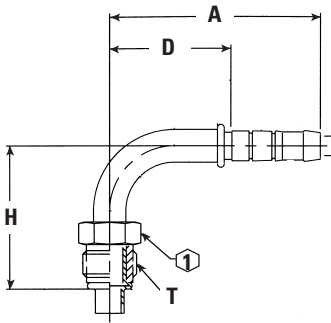
90° male O-Ring (long pilot)

PART NUMBER	TH'D "T"	HOSE SIZE	A REF	D REF	F REF	H REF	① REF
FJ4903-01-0606S	5/8-18	6	2.44	1.40	—	1.65	0.62
FJ4903-02-0808S*	3/4-18	8	2.61	1.68	—	2.38	0.75
FJ4903-04-1010S*	7/8-18	10	3.11	2.00	—	2.69	0.88
FJ4903-03-1012S*	7/8-18	12	3.11	2.00	—	2.69	0.88
FJ4903-05-1212S*	1-1/16-16	12	3.36	2.24	—	2.79	1.06
FJ4903-09-0606S	5/8-18	6	2.43	1.40	—	1.97	0.62

* MTO (made to order)

Factory crimp - GH001 & EC007

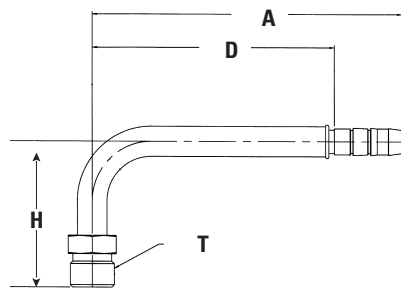
FJ4904



90° male O-Ring (short pilot)

PART NUMBER	TH'D "T"	HOSE SIZE	A REF	D REF	F REF	H REF	① REF
FJ4904-01-0606S	5/8-18	6	2.44	1.40	—	1.65	0.62
FJ4904-05-0808S	3/4-18	8	2.79	1.65	—	2.10	0.75
FJ4904-02-1010S	7/8-18	10	3.45	1.93	—	3.00	0.88
FJ4904-03-1012S	7/8-18	12	3.75	1.98	—	2.45	0.88
FJ4904-04-1212S	1-1/16-16	12	4.05	2.29	—	2.79	1.06

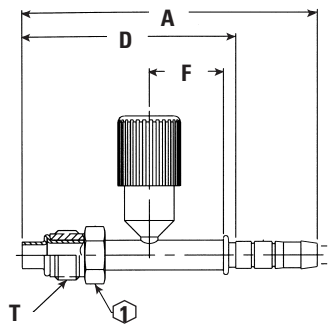
EJ2157



90° male MIO (male insert O-Ring)

PART NUMBER	TH'D "T"	HOSE SIZE	A REF	D REF	F REF	H REF	① REF
EJ2157-01-0808S	3/4-16	8	5.23	4.09	—	2.44	0.25

FJ4909

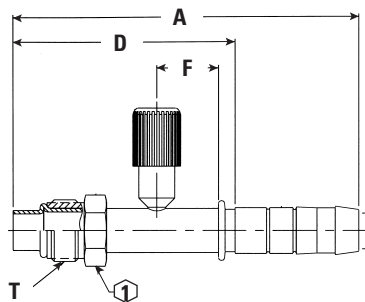


Male O-Ring (long pilot) with high side charge port

PART NUMBER	TH'D "T"	HOSE SIZE	A REF	D REF	F REF	H REF	① REF
FJ4909-01-0606S	5/8-18	6	3.73	2.71	0.94	—	0.63
FJ4909-02-0808S	3/4-18	8	4.29	3.15	0.94	—	0.75
FJ4909-03-1010S*	7/8-18	10	4.29	3.15	0.94	—	0.88

* MTO (made to order)

FJ4910

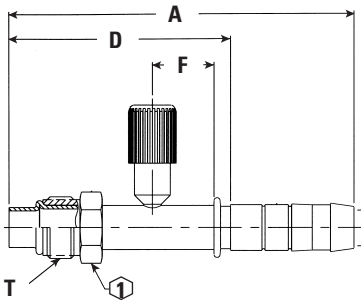


Male O-Ring (long pilot) with low side charge port

PART NUMBER	TH'D "T"	HOSE SIZE	A REF	D REF	F REF	H REF	① REF
FJ4910-01-1010S*	7/8-18	10	4.95	3.20	0.88	—	0.88
FJ4910-02-1012S	7/8-18	12	4.95	3.20	0.88	—	0.88
FJ4910-03-1212S*	1-1/16-16	12	4.95	3.29	0.88	—	1.06

* MTO (made to order)

FJ4911

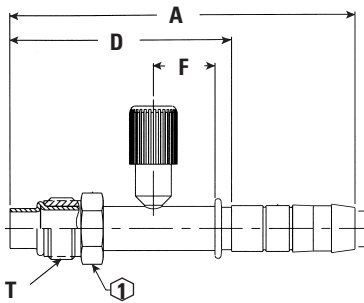


Male O-Ring (short pilot) with high side charge port

PART NUMBER	TH'D "T"	HOSE SIZE	A REF	D REF	F REF	H REF	① REF
FJ4911-01-0606S*	5/8-18	6	3.57*	2.63	0.94	—	0.63
FJ4911-02-0808S*	3/4-18	8	3.92*	2.98	0.94	—	0.75
FJ4911-03-1010S*	7/8-18	10	4.95	3.00	0.94	—	0.88
FJ4911-05-0808S	3/4-18	8	5.36	4.22	0.99	—	0.75

* MTO (made to order)

FJ4912

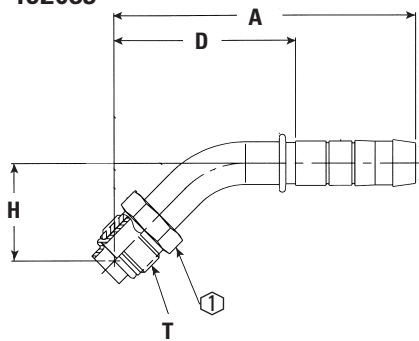


Male O-Ring (short pilot) with low side charge port

PART NUMBER	TH'D "T"	HOSE SIZE	A REF	D REF	F REF	H REF	① REF
FJ4912-01-1010S*	7/8-18	10	4.95	3.00	0.88	—	0.88
FJ4912-05-1012S	7/8-18	12	6.10	4.34	0.99	—	0.88
FJ4912-03-1212S*	1-1/16-16	12	4.95	3.09	0.88	—	1.06

* MTO (made to order)

FJ2083

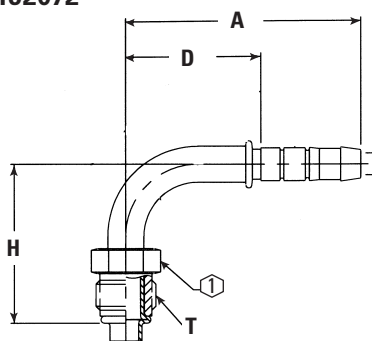


45° male O-Ring (short pilot)

PART NUMBER	TH'D "T"	HOSE SIZE	A REF	D REF	F REF	H REF	① REF
FJ2083-01-1012S	7/8-18	12	4.44	2.68	—	1.42	1.06
FJ2083-02-0606S*	5/8-18	6	3.08	2.05	—	1.08	0.63

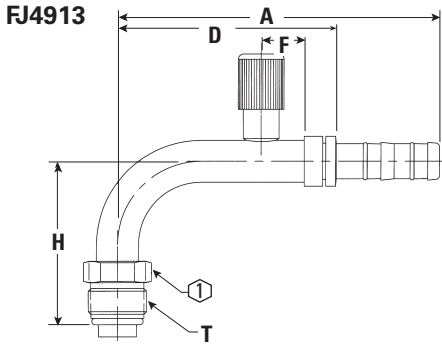
* MTO (made to order)

**FJ4904/
FJ2072**



90° male O-Ring (Short Pilot)

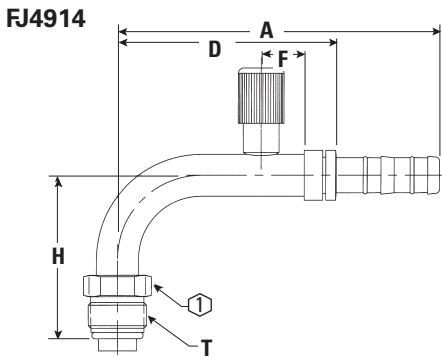
PART NUMBER	TH'D "T"	HOSE SIZE	A REF	D REF	F REF	H REF	① REF
FJ4904-01-0606S	5/8-18	6	2.44	1.40	—	1.65	0.62
FJ4904-05-0808S	3/4-18	8	2.79	1.65	—	2.38	0.75
FJ4904-02-1010S	7/8-18	10	3.45	1.93	—	3.00	0.88
FJ4904-03-1012S	7/8-18	12	3.75	1.98	—	2.69	0.88
FJ4904-04-1212S	1-1/16-16	12	4.05	2.29	—	2.79	1.06
FJ2072-1012S	7/8-18	12	3.50	1.74	—	3.32	0.88



90° male O-Ring (long pilot) with high side charge port

PART NUMBER	TH'D "T"	HOSE SIZE	A REF	D REF	F REF	H REF	① REF
FJ4913-01-0606S*	5/8-18	6	3.86	2.43	0.94	1.77	0.63
FJ4913-02-0808S*	3/4-18	8	3.86	2.68	0.94	2.37	0.75
FJ4913-03-1010S*	7/8-18	10	4.92	3.00	0.94	2.45	0.88

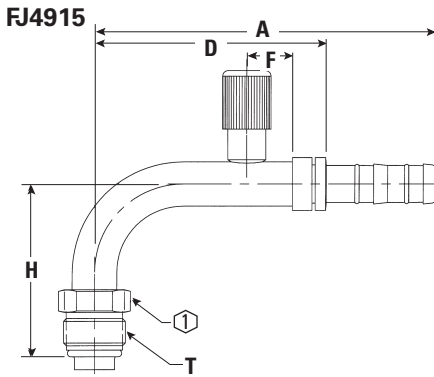
* MTO (made to order)



90° male O-Ring (long pilot) with low side charge port

PART NUMBER	TH'D "T"	HOSE SIZE	A REF	D REF	F REF	H REF	① REF
FJ4914-01-1010S*	7/8-18	10	4.00	2.88	0.88	2.45	0.88
FJ4914-02-1012S*	7/8-18	12	4.00	2.88	0.88	2.45	0.88
FJ4914-03-1212S*	1-1/16-16	12	4.25	3.13	0.88	3.67	1.06

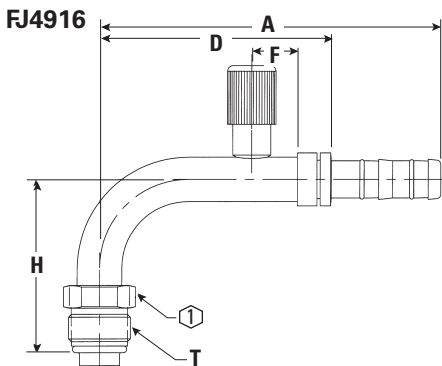
* MTO (made to order)



90° male O-Ring (short pilot) with high side charge port

PART NUMBER	TH'D "T"	HOSE SIZE	A REF	D REF	F REF	H REF	① REF
FJ4915-01-0606S*	5/8-18	6	3.36	2.43	0.94	1.77	0.63
FJ4915-02-0808S	3/4-18	8	4.09	2.95	0.85	2.37	0.75
FJ4915-03-1010S*	7/8-18	10	4.12	3.00	0.94	2.45	0.88

* MTO (made to order)

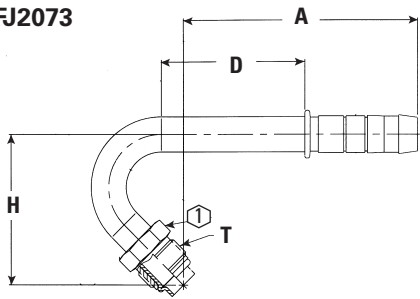


90° male O-Ring (short pilot) with low side charge port

PART NUMBER	TH'D "T"	HOSE SIZE	A REF	D REF	F REF	H REF	① REF
FJ4916-01-1010S*	7/8-18	10	4.00	2.88	0.88	2.45	0.88
FJ4916-02-1012S*	7/8-18	12	4.00	2.88	0.88	2.45	0.88
FJ4916-03-1212S*	1-1/16-16	12	4.25	3.13	0.88	2.79	1.06

* MTO (made to order)

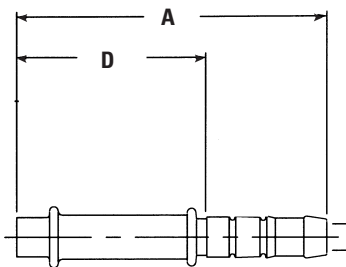
FJ2073



135° male O-Ring (Short Pilot)

PART NUMBER	TH'D "T"	HOSE SIZE	A REF	D REF	F REF	H REF	① REF
FJ2073-1012S	7/8-18	12	4.15	2.39	—	2.66	1.06

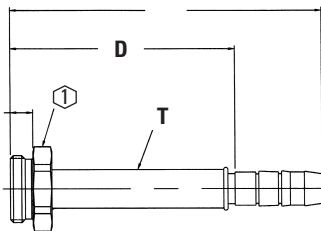
FJ2086/
FJ2087



O-Ring connection

PART NUMBER	HOSE SIZE	A REF	D REF	F REF	H REF	PILOT
FJ2086-0606S	6	2.65	1.61	—	—	Long
FJ2087-1212S	12	3.94	2.18	—	—	Short

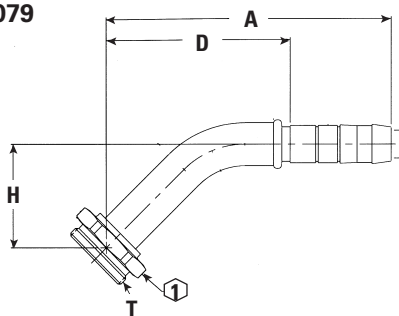
FJ2909



Straight 5400 coupling thread

PART NUMBER	TH'D "T"	HOSE SIZE	A REF	D REF	F REF	H REF	① REF
FJ2909-01-1212S	1 1/4-18	12	4.03	2.27	—	—	1.38
FJ2909-02-0808S	7/8-20	8	4.09	2.95	—	—	1.00
FJ2909-04-0806S	7/8-20	6	4.09	3.05	—	—	1.00

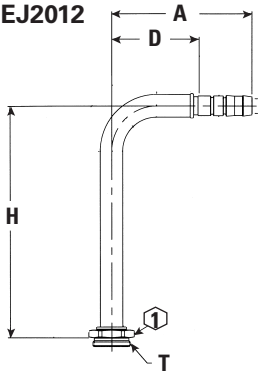
FJ2079



45° 5400 coupling thread

PART NUMBER	TH'D "T"	HOSE SIZE	A REF	D REF	F REF	H REF	① REF
FJ2079-1212S	1-1/4-18	12	4.97	3.21	—	1.80	1.38
FJ2079-01-0808S	7/8-20	8	3.70	2.58	—	1.00	1.00

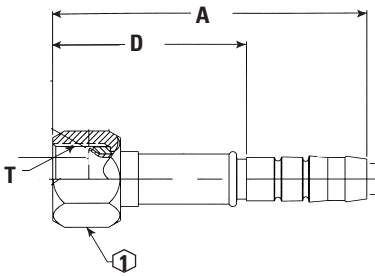
**FJ2077/
EJ2012**



90° 5400 coupling thread

PART NUMBER	TH'D "T"	HOSE SIZE	A REF	D REF	F REF	H REF	① REF
FJ2077-05-1212S	1-1/4-18	12	4.68	2.98	—	7.70	1.38
FJ2077-10-0806S	7/8-20	6	2.57	1.53	—	1.20	1.00
FJ2077-14-0806S	7/8-20	6	3.20	2.17	—	2.07	1.00
FJ2077-12-0808S	7/8-20	8	2.79	1.85	—	1.77	1.00
EJ2012-01-1212S	1-1/4-18	12	4.75	2.99	—	2.72	1.38
EJ2012-02-1212S	1-1/4-18	12	4.75	2.99	—	2.72	1.38

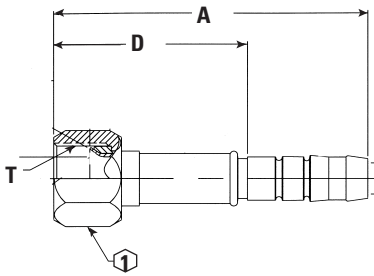
FJ3462



S.A.E. 37° swivel

PART NUMBER	TH'D "T"	HOSE SIZE	A REF	D REF	F REF	H REF	① REF
FJ3462-03-1212	1-1/16-12	12	4.65	2.89	—	—	1.06

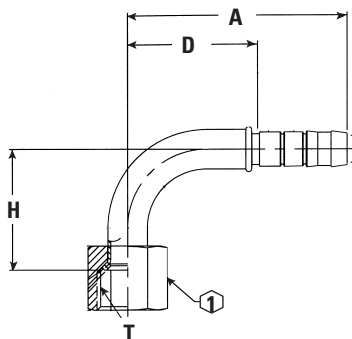
**FJ4894/
FJ4960**



S.A.E. 45° female swivel

PART NUMBER	TH'D "T"	HOSE SIZE	A REF	D REF	F REF	H REF	① REF
FJ4960-0404S	7/16-20	4	2.08	1.41	—	—	0.56
FJ4894-07-0606S	5/8-18	6	3.01	1.97	—	—	0.75
FJ4894-08-0808S	3/4-16	8	3.61	2.48	—	—	0.88
FJ4894-03-1010S	7/8-14	10	4.86	3.34	—	—	1.06
FJ4894-06-1012S	7/8-14	12	4.56	2.80	—	—	1.06
FJ4894-04-1212S	1-1/16-14	12	5.56	3.80	—	—	1.31

**FJ4964/
FJ4896**

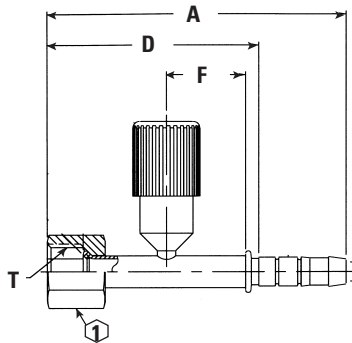


90° S.A.E. 45° female swivel

PART NUMBER	TH'D "T"	HOSE SIZE	A REF	D REF	F REF	H REF	① REF
FJ4964-0404S	7/16-20	4	2.08	1.41	—	1.00	0.56
FJ4896-03-0606S	5/8-18	6	2.44	1.42	—	1.25	0.75
FJ4896-04-0808S	3/4-16	8	2.79	1.65	—	1.53	0.88
FJ4896-05-1010S	7/8-14	10	3.48	1.94	—	1.78	1.06
FJ4896-06-1012S	7/8-14	12	3.82	2.07	—	1.78	1.06
FJ4896-01-1212S*	1-1/16-14	12	3.37	2.25	—	2.10	1.31

* MTO (made to order)

FJ4897

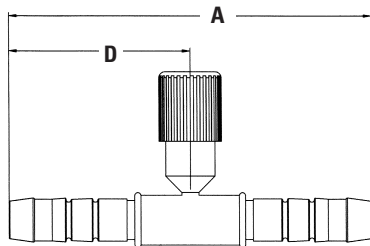


S.A.E. 45° swivel with high side charge port

PART NUMBER	TH'D "T"	HOSE SIZE	A REF	D REF	F REF	H REF	REF
FJ4897-01-0606S	5/8-18	6	3.46	2.51	0.94	—	0.75
FJ4897-02-0808S*	3/4-16	8	3.70	2.77	0.94	—	0.88
FJ4897-03-1010S*	7/8-14	10	4.22	3.10	0.94	—	1.06

* MTO (made to order)

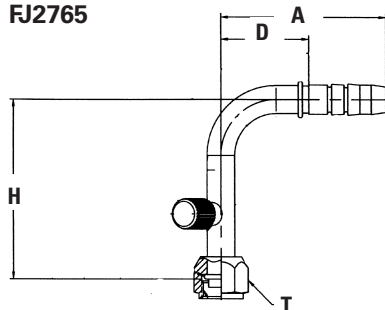
**FJ2674/
FJ2675**



Splicer with charge port

NIPPLE PART #A	TH'D "T"	HOSE SIZE	A REF	D REF	F REF	H REF	PORT
FJ2674-1010S	—	10	7.87	3.93	—	—	Low
FJ2674-1212S	—	12	8.39	4.87	—	—	Low
FJ2675-0808S	—	8	5.61	3.33	—	—	High

**FJ2746/
FJ2747/
FJ2765**

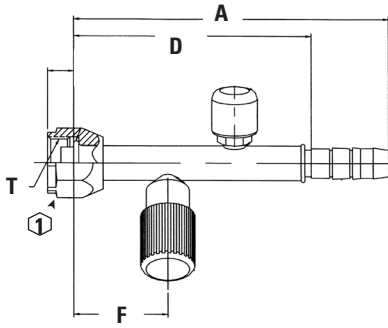


90° female O-Ring (short pilot), R134a low-side port and switch port
(port to port rotations will vary - contact eaton application engineering)

NIPPLE PART #A	TH'D "T"	HOSE SIZE	A REF	D REF	F REF	H REF	SWITCH TH'D
FJ2746-1012S	7/8-14	12	3.75	1.99	*	4.02	7/16-20
FJ2747-1012S	7/8-14	12	3.75	1.99	*	4.02	7/16-20
FJ2765-1012S	7/8-14	12	6.71	4.95	0.88	2.06	7/16-20

* Ports located on drop

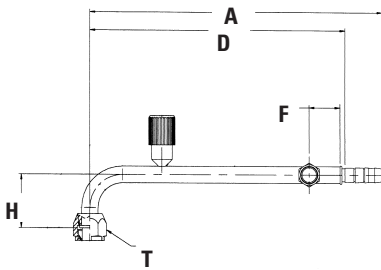
FJ2745



Straight female O-Ring (long pilot), R134a hi-side port and switch port
(port to port rotations will vary - contact eaton application engineering)

NIPPLE PART #	TH'D "T"	HOSE SIZE	A REF	D REF	F REF	H REF	SWITCH TH'D
FJ2745-0808S	3/4-16	8	3.75	1.99	1.14	—	7/16-20

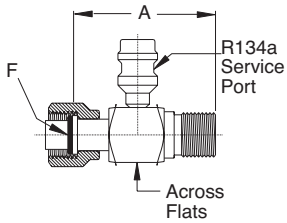
EJ2019/ EJ2091/ EJ2154



90° female O-Ring (long pilot), R134a hi-side port and switch port
(port to port rotations will vary - contact eaton application engineering)

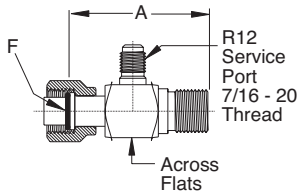
NIPPLE PART #	TH'D "T"	HOSE SIZE	A REF	D REF	F REF	H REF	SWITCH TH'D
EJ2019-01-0808S	3/4-16	8	8.93	6.64	0.94	1.62	M12 x 1.25
EJ2091-01-0606S	5/8-18	6	5.37	4.33	1.30	2.52	7/16-20
EJ2154-0808S	3/4-16	8	4.43	3.29	1.09	1.71	M12 x 1.25

Bumped tube O-Ring adapter with R134a service port



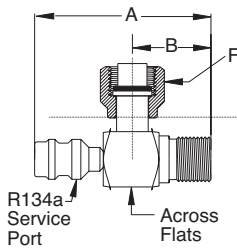
PART NUMBER	TUBE SIZE	THREAD SIZE	LENGTH A	ACROSS FLATS	HEX F	O-RING
75701*	3/8	5/8-18	2.02	5/8"	3/4	ZW74706
75702*	1/2	3/4-16	2.22	7/8	7/8	ZW74708
75704**	5/8	7/8-14	2.63	7/8	1-1/16	ZW74710
75706**	3/4	1-1/16-14	2.89	1-1/16	1-1/4	ZW74712

Bumped tube O-Ring adapter with R12 service port



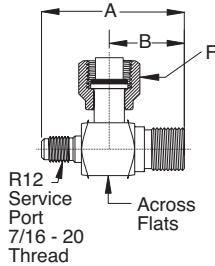
PART NUMBER	TUBE SIZE	THREAD SIZE	LENGTH A	ACROSS FLATS	HEX F	O-RING
R12-Z56	3/8	5/8-18	2.02	5/8"	3/4	ZW74706
R12-Z58	1/2	3/4-16	2.22	7/8	7/8	ZW74708
R12-Z60	5/8	7/8-14	2.63	7/8	1-1/16	ZW74710
R12-Z62	3/4	1-1/16-14	2.89	1-1/16	1-1/4	ZW74712

90° bumpedtube O-Ring sdapter with R134a service port



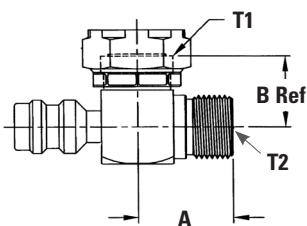
PART NUMBER	TUBE SIZE	THREAD SIZE	LENGTH A	DROP B	ACROSS FLATS	HEX F	O-RING
75729*	3/8	5/8-18	2.46	1.05	5/8"	3/4	ZW74706
75730*	1/2	3/4-16	2.66	1.15	7/8	7/8	ZW74708
75731**	5/8	7/8-14	2.80	1.30	7/8	1-1/16	ZW74710
75732**	3/4	1-1/16-14	3.16	1.39	1-1/16"	1-1/4	ZW74712

90° bumped tube O-Ring adapter with R12 service port



PART NUMBER	TUBE SIZE	THREAD SIZE	LENGTH A	DROP B	ACROSS FLATS	HEX F	O-RING
R12-Z96	3/8	5/8-18	2.07	1.05	5/8	3/4	ZW74706
R12-Z97	1/2	3/4-16	2.27	1.15	7/8	7/8	ZW74708
R12-Z98	5/8	7/8-14	2.41	1.30	7/8	1-1/16	ZW74710
R12-Z99	3/4	1-1/16-16	2.77	1.39	1-1/16"	1-1/4	ZW74712

Rotalok to MIO

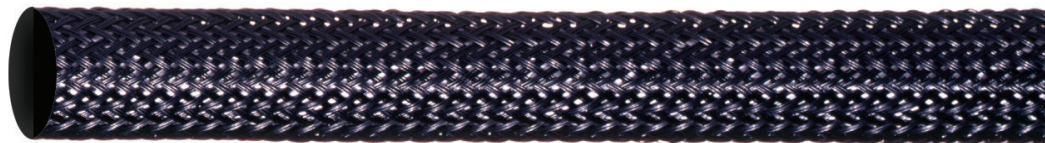


PART NUMBER	TUBE SIZE	THREAD SIZE (T1)	THREAD SIZE (T2)	DROP A	REF DROP	B PORT	REF
75750	1/2	1-14	3/4-16	1.15	0.84	Hi-Side	—
75751	5/8	1-14	7/8-16	1.29	0.84	Low-Side	—
75760*	Same as 75750, except includes threaded cap for Rotalok end.		—				
75761*	Same as 75751, except includes threaded cap for Rotalok end.		—				

* High Side Port
** Low Side Port



Nylon sleeving



Designed for abrasion protection of air conditioning hoses

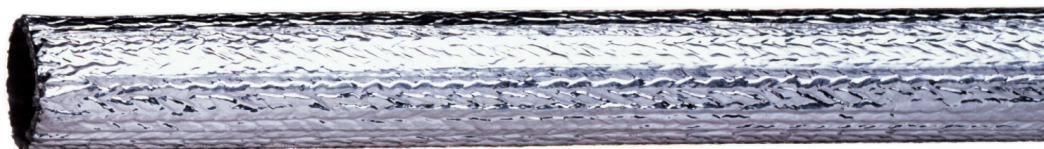
Features and benefits

- Easy to cut and assemble
- Tight fit for tight spaces
- Nylon tie straps will hold in place (FF9349-22-150 for all sizes of sleeve)

HOSE SIZES	SLEEVE SIZE USED FOR GH001 (PART NUMBER)
GH001-6	FF90224-16
GH001-8	FF90224-16
GH001-10	FF90224-24
GH001-12	FF90224-24

PART NUMBER	SLEEVE WILL ACCEPT A MAXIMUM O.D. OF	HOSE WITH A MINIMUM O.D. OF
FF90224-16	1.12	0.68
FF90224-24	1.93	1.18

Heat sleeving



Designed for heat deflection of air conditioning hoses

Features and benefits

- Fiberglass reinforced
- Wall thickness .025
- Protects from radiant heat to plus 400°C (review application with Eaton Sales Representative)
- Nylon tie straps will hold in place (FF9349-22-150 for all sizes)

FF90356 REFLECTIVE HEAT SLEEVE	CROSS DIAMETER SIZE (INCHES)	FOR GH001 HOSE SIZE
FF90356-01	1.00	-6 & -8
FF90356-02	1.25	-10 & -12
FF90356-04	0.75	-6
FF90356-05	0.62	-4
FF90356-06	1.50	-16

Retaining bracket

Mechanical tube brackets

Eaton’s tube brackets have been designed specifically for a customer’s unique bracketing requirements. The three-piece design begins with an EPDM grommet (figure 4), which minimizes tube friction, and “locks” the bracket onto the tube. This design withstands vibration in the toughest of environments, without slippage, and offers ease of fit up, that is often difficult with welded

brackets. To complete the assembly, the bracket connection is the customer’s design, and the bracket retainer, or bracket top, is sized for a specific tube O.D.

To install the assembly, the bracket top and bracket bottom, lock into place, with the ease of a flange screw.

Part numbers for the grommet, bracket top and flange screw are shown in the chart below. A sample of

the connecting bracket, is shown in figure A.

Please contact your Eaton sales representative, or Eaton applications team to discuss additional designs that are currently available, or the opportunity to support a new design for your specific application.

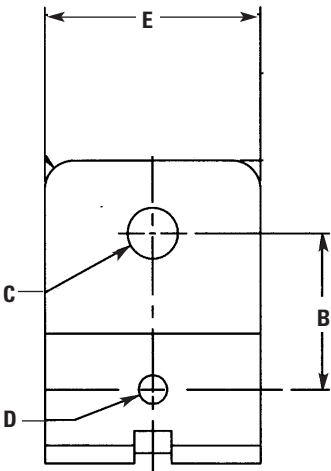


Figure 1 Bracket Top

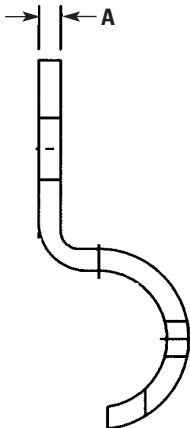


Figure 2 Bracket Top

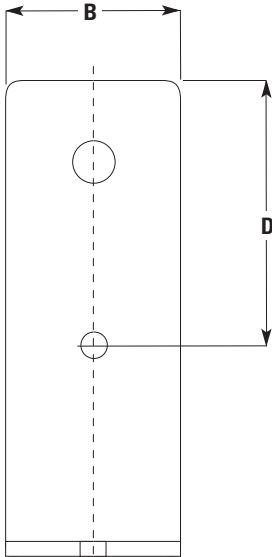


Figure 3 Base Bracket



Figure 4 Grommet

PART NUMBER	DESCRIPTION	TUBE SIZE USED ON	“A” BRACKET THICKNESS	“B” BRACKET RETAINER WIDTH	“C” BRACKET RETAINER HEIGHT	“D” BASE BRACKET LENGTH
FF90420-06	Tube grommet	6	—	—	—	—
FF90420-08	Tube grommet	8	—	—	—	—
FF90420-14	Tube grommet	14	—	—	—	—
FF90453	Flange screw	All	—	—	—	—
FF90421-06	Bracket top*	6	2.5/.098	30/1.181	7/.276	—
FF90421-08	Bracket top*	8	2.5/.098	30/1.181	7/.276	—
FF90421-14	Bracket top*	14	2.5/.098	30/1.181	7/.276	—
FF90422-14	Base bracket**	14	2.5/.098	30/1.181	—	54/2.13

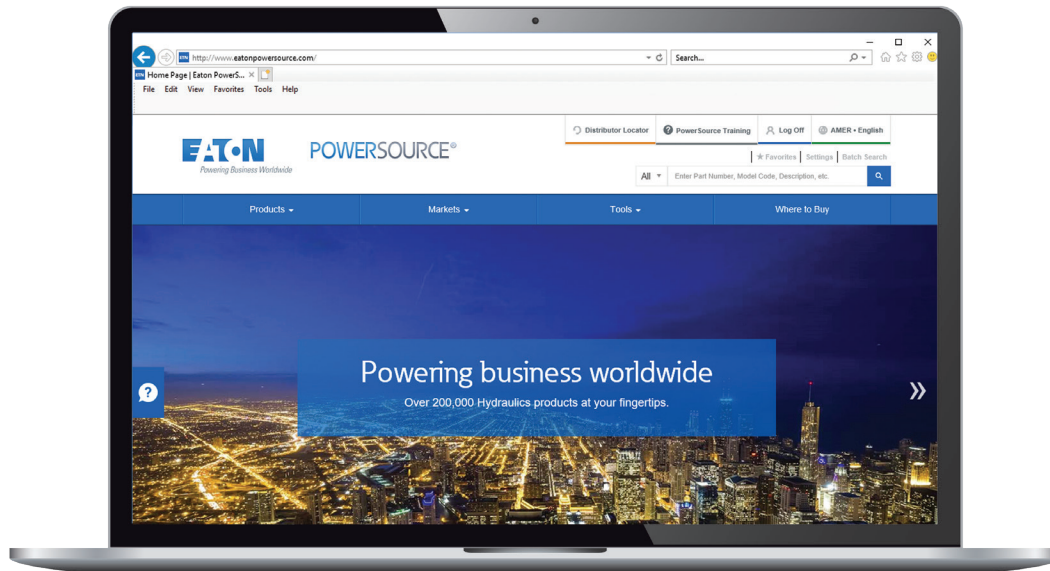
*Figure 1 and 2

** Figure 3



Eaton PowerSource™

Your information headquarters



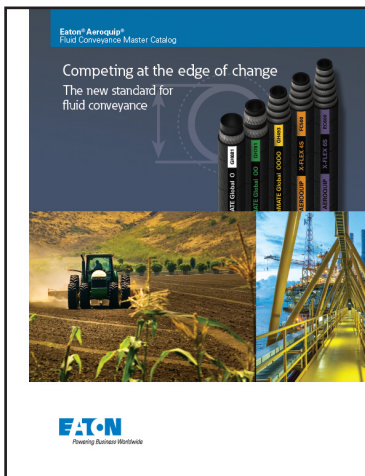
Putting fluid conveyance information at your fingertips

Eaton PowerSource™ is the hub for all of Fluid Conveyance. This informational site houses Eaton's product, market and technical information including:

1. Searchable fluid conveyance product information:
 - Part numbers
 - Sizes
 - Performance and specifications
 - Branding information
2. Literature and videos
3. Product value propositions
4. Crimp specifications
5. Competitor cross reference tool
6. Coupling cross reference tool
7. Custom bin label tool
8. 2D/3D cad models
9. Hose assembly configurator
10. Marketplace (authenticated PowerSource only)
11. List prices and lead times (authenticated PowerSource only)

To access these tools and more, visit and log in to PowerSource from [My.Eaton.com](https://my.eaton.com) and then select tools.

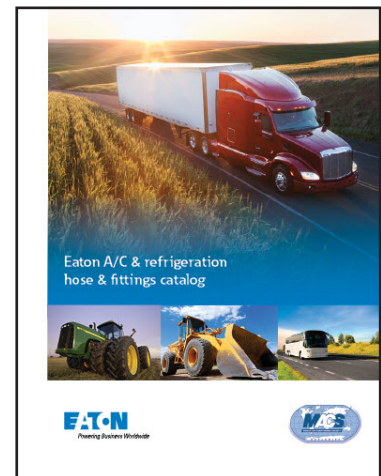
eatonpowersource.com



Eaton Aeroquip master catalog
Publication #: A-HOOV-MC001-E



Eaton Weatherhead master catalog
Publication #: W-HYOV-MC002-E



Eaton A/C & Refrigeration catalog
Publication #: A-HOAC-MC001-E



Eaton EverCool EC007 A/C hose
Publication #: E-HOAC-BB005-E



Eaton EverCool family brochure
Publication #: E-HOAC-BB006-E



Eaton EverCool GH001 A/C hose
Publication #: E-HOAC-BB001-E

Technical support:

For further questions and support, please contact Eaton technical support at 1-888-258-0222 or fpproductsupport@eaton.com

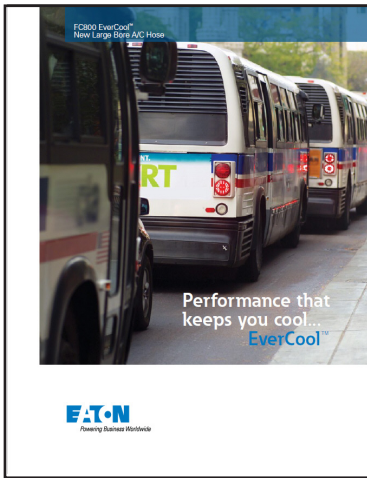
Digital copies:

This literature is available electronically at: eatonpowersource.com

Need a hard copy?

Order at Taylor Communications taylorcommunications.com
866-541-0937

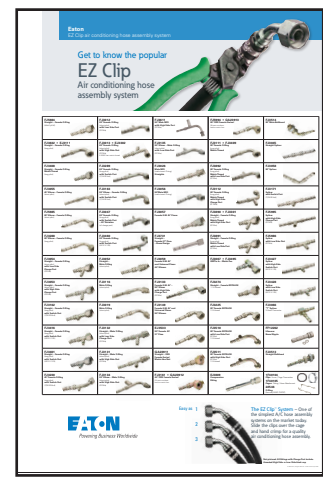
Additional resources



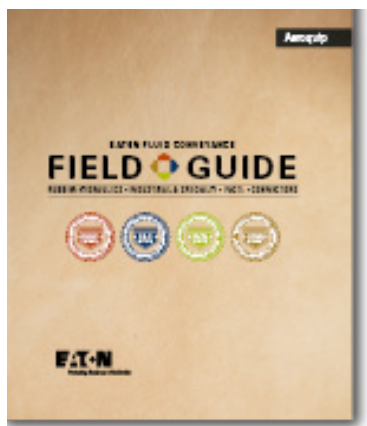
Eaton EverCool FC800 A/C hose
Publication #: A-HOAC-MR003-E



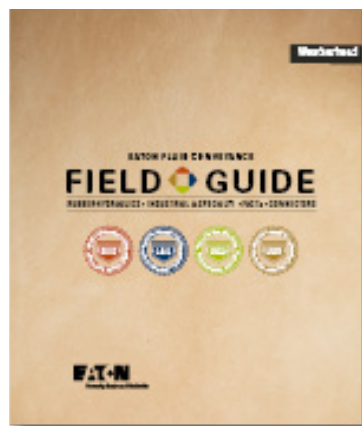
Eaton EZ Clip system brochure
Publication #: E-HOAC-BB003-E



Eaton EZ Clip wall chart
Publication #: E-HOIN-TT038-E1



Aeroquip Fluid Conveyance Field Guide
Publication #: A-HOIN-BB001-E



Weatherhead Fluid Conveyance Field Guide
Publication #: E-HOIN-BB010-E

Technical support:

For further questions and support, please contact Eaton technical support at 1-888-258-0222 or fgproductsupport@eaton.com

Digital copies:

This literature is available electronically at: eatonpowersource.com

Need a hard copy?

Order at Taylor Communications taylorcommunications.com
866-541-0937



Eaton
Hydraulics Business USA
14615 Lone Oak Road
Eden Prairie, MN 55344
USA
Tel: 952-937-9800
Fax: 952-294-7722
www.eaton.com/hydraulics

Eaton
Hydraulics Business Europe
Route de la Longeraie 7
1110 Morges
Switzerland
Tel: +41 (0) 21 811 4600
Fax: +41 (0) 21 811 4601

Eaton
Hydraulics Group Asia Pacific
Eaton Building
No.7 Lane 280 Linhong Road
Changning District,
Shanghai 200335
China
Tel: (+86 21) 5200 0099
Fax: (+86 21) 2230 7240