

Bill of Materials Listing

TransArctic Canada Inc.

11/10/2020
Page 1 of 1

| Product Number | Date | Description | Uof M | Weight | Yield | | | | |
|-----------------|------------------|-----------------|-------|---|-------|------|--|----------------|----------|
| Line | Qty | Component Prod# | Rev# | Description | Bin | Unit | | | |
| KMC66697 | 4/25/2017 | 0 | | Mt Kit, ISB, HDX, TM-55/65, ALT, '20 | | | | 1109.11 | 0 |
| 5 | 1 | PAC39131 | | Pack, Carton, 39" x 13" x 16.25", 51 BC | | each | | | |
| 10 | 1 | BEL32286 | | Belt, Banded B gr,2286mm (90") | | each | | | |
| 20 | 1 | BMC90017 | 2 | Bkt, Found'n, TH HDX, 4xFC/ 4K40, '16 | | each | | | |
| 30 | 1 | BMC90022 | 0 | Bkt, Main, Idler, Weldm't, ISL, HDX, '16 | | each | | | |
| 35 | 1 | BMZ00074 | 0 | Bkt, Adapter, P/S, 4xFC To TM-55/65 | | each | | | |
| 40 | 1 | BMZ01059 | 0 | Bkt, Slide, Block, TH, HDX, '12 | | each | | | |
| 45 | 1 | KAC65501 | 1 | Kit, Alternator, TM-65, Curb Side, '13 | | each | | | |
| 50 | 1 | KBB00002 | 0 | Kit, PS, Platform, Transit, ADM, '20 | | each | | | |
| 60 | 1 | KPC64094 | 0 | Kit, Pulley, 2B, ISB, 2013 | | each | | | |
| 70 | 1 | PUA05001 | 0 | Pulley, Assy, Idler, B/S, 5", Stl, Plt | | each | | | |
| 80 | 1 | PUA05012 | 0 | Pulley, Assy, Idler,B/BX gr,5", STL,Plt | | each | | | |
| 90 | 1 | SCD16012 | 1 | Spacer, Col, Drl,16 mm x 34.9o x 12.3i | | each | | | |
| 100 | 1 | SCD21912 | 0 | Spacer, Col, Drl,21.9mm x 25.4o x 12.3i | | each | | | |
| 110 | 2 | SLV17012 | 0 | Sleeve, Pulley, 16.9o x 22.23mm x 12.32i | | each | | | |
| 120 | 1 | KBC96597 | 0 | Bag Kit, Fasteners, KMC96597 & KMC96697 | | each | | | |

Bill of Materials Listing

TransArctic Canada Inc.

6/2/2020
Page 1 of 1

| Product Number | Description | Rev# | Date | Weight | Uof M | Yield |
|-----------------|--|----------|--|-------------|-------|----------|
| Line | Component Prod# | Bin | Unit | Qty | | |
| KBC96597 | Bag Kit, Fasteners, KMC96597 & KMC96697 | 0 | 7/14/2016 | 2.96 | | 0 |
| 10 | BTC10045 | | Bolt, Hex, 10 x 1.5 x 45mm, 10.9, Plt,FT | each | 3 | |
| 20 | BTC12080 | | Bolt, Hex, 12 x 1.75 x 80mm, 10.9,Plt,FT | each | 2 | |
| 30 | BTQ06175 | | Bolt, Hex, 3/8-16unc, 1.75", 8, Plt | each | 8 | |
| 40 | BTQ08200 | | Bolt, Hex, 1/2-13unc, 2.0", 8, Plt | each | 3 | |
| 45 | CSF08150 | | Capscrew, FH, 1/2-13 x 1.50", Alloy, Plt | each | 1 | |
| 47 | CSF12036 | | Capscrew, FH, 12 x 1.75 x 35mm, 10.9,Plt | each | 4 | |
| 50 | NTA10000 | | Nut, Hex, 10 x 1.5, 8.8, Plt | each | 3 | |
| 60 | NTA12000 | | Nut, Hex, 12 x 1.75, 8.8, Plt | each | 2 | |
| 70 | NTQ06000 | | Nut, Hex, 3/8-16unc, 8, Plt | each | 8 | |
| 80 | NTQ08000 | | Nut, Hex, 1/2-13unc, 8, Plt | each | 4 | |
| 90 | WFA10002 | | Washer, Flat, 10mm, Hvy, 8.8, Plt | each | 6 | |
| 100 | WFA12002 | | Washer, Flat, 12mm, Hvy, 8.8, Plt | each | 2 | |
| 110 | WFQ08000 | | Washer, Flat, 1/2", 8, Plt | each | 7 | |
| 120 | WFS06002 | | Washer, Flat, 3/8", L9, Plt | each | 16 | |
| 130 | WLA10000 | | Washer, Lock, 10mm, 8.8, Plt | each | 3 | |
| 140 | WLA12000 | | Washer, Lock, 12mm, 8.8, Plt | each | 2 | |
| 150 | WLQ06000 | | Washer, Lock, 3/8", 8, Plt | each | 8 | |
| 160 | WLQ08000 | | Washer, Lock, 1/2", 8, Plt | each | 4 | |

Bill of Materials Listing

TransArctic Canada Inc.

2/4/2022
Page 1 of 1

| Product Number | Date | Description | | Uof M | Weight | Yield | |
|-----------------|-----------------|-----------------|----------|---|--------|--------------|----------|
| Line | Qty | Component Prod# | Rev# | Description | Bin | Unit | |
| KAC65501 | 08/10/16 | | 3 | Kit, Alternator, TM-65, Curb Side, '13 | | 45.31 | 0 |
| 10 | 2 | BEL11040 | | Belt, A gr, 1040mm (41") | | each | |
| 20 | 1 | BMC90020 | A | Bkt, Alt, Weldm't, Curb Side, TM65/55, '16 | | each | |
| 30 | 2 | BMT10011 | 0 | Bkt, Tenr, Block, Offset, 3mm | | each | |
| 40 | 1 | PUL03321 | 1 | Pulley, ALT, Idler, 3.25"d, 2A | | each | |
| 45 | 1 | KBA84064 | 0 | Bag Kit, ALT Shim, KC84064, KAC65501/02 | | each | |
| 47 | 1 | SCD05513 | 0 | Spacer, Col, Drl, 5.51mm x 25.4o x12.7i | Alley | each | |
| 50 | 1 | TRD08080 | | Threaded, Rod, 1/2-13unc x 8", 5, Plt | | each | |
| 60 | 1 | KBA65501 | 0 | Bag Kit, Fasteners, KAC65501 | | each | |

NOTE:

1) Use KBA84064 "Shim bag kit", as required, to align the Alternator correctly.

Bill of Materials Listing

TransArctic Canada Inc.

11/6/2020
Page 1 of 1

| Product Number | Date | Description | Uof M | Weight | Yield | | | |
|-----------------|------------------|-----------------|----------|--|-------|------|-------------|----------|
| Line | Qty | Component Prod# | Rev# | Description | Bin | Unit | Weight | Yield |
| KBA65501 | 8/10/2016 | 0 | 0 | Bag Kit, Fasteners, KAC65501 | | | 1.45 | 0 |
| 10 | 4 | BTC12035 | | Bolt, Hex, 12 x 1.75 x 35mm, 10.9,Plt,FT | | each | | |
| 20 | 1 | BTQ08125 | | Bolt, Hex, 1/2-13unc, 1.25", 8, Plt | | each | | |
| 30 | 1 | BTQ08150 | | Bolt, Hex, 1/2-13unc, 1.5", 8, Plt | | each | | |
| 40 | 1 | BTQ08653 | | Bolt, Hex, 1/2-13unc, 6.5", 8, Plt | | each | | |
| 50 | 6 | NTQ08000 | | Nut, Hex, 1/2-13unc, 8, Plt | | each | | |
| 60 | 4 | WFA12000 | | Washer, Flat, 12mm, 8.8, Plt | | each | | |
| 70 | 3 | WFQ08000 | | Washer, Flat, 1/2", 8, Plt | | each | | |
| 80 | 4 | WLA12000 | | Washer, Lock, 12mm, 8.8, Plt | | each | | |
| 90 | 4 | WLQ08000 | | Washer, Lock, 1/2", 8, Plt | | each | | |

Bill of Materials Listing

TransArctic Canada Inc.

2/4/2022
Page 1 of 1

| Product Number | Date | Description | | | Uof M | Weight | Yield | |
|-----------------|-----------------|-------------|-------|------|--|--------|-------------|----------|
| Line | Qty | Component | Prod# | Rev# | Description | Bin | Unit | |
| KBA84064 | 10/19/21 | 0 | | | Bag Kit, ALT Shim, KC84064, KAC65501/02 | | 0.09 | 0 |
| 10 | 1 | SCD03613 | | 0 | Spacer, Col, Drl, 3.56mm x 25.4o x12.7i | Alley | each | |
| 20 | 2 | WFA14000 | | | Washer, Flat, 14mm, 8.8, Plt | | each | |
| 30 | 2 | WFQ08000 | | | Washer, Flat, 1/2", 8, Plt | | each | |

NOTE:

1) Use (1) SCD03613, (2) WFA14000, (2) WFQ08000, in any arrg'mt/qtys as required to align the Alternator correctly.

Bill of Materials Listing

TransArctic Canada Inc.

6/3/2020
Page 1 of 1

| Product Number | | Description | Rev# | Date | Weight | Uof M | Yield |
|-----------------|-----------------|---|----------|------------------|--------------|-------|----------|
| Line | Component Prod# | Description | Bin | Unit | Qty | | |
| KBB00002 | | Kit, PS, Platform, Transit, ADM, '20 | 0 | 6/20/2012 | 75.91 | | 0 |
| 10 | BMZ01034 | Bkt, Spring, Support Arm, ADM, '12 | | each | 1 | | |
| 20 | BMZ01035 | Bkt, Main, Pivot, Ass'y, ADM Transit, '12 | | each | 1 | | |
| 30 | BMZ01037 | Bkt, Fork, Knuckle-Joint, Adm, '12 | | each | 1 | | |
| 40 | BMZ01038 | Bkt, Main, Base Pl, ADM, '12 | | each | 1 | | |
| 50 | BMZ01040 | Bkt, Ass'y, THRD Rod, Isolator, ADM, '12 | | each | 1 | | |
| 60 | BMZ01041 | Shaft Key, 5/16" SQ x .540" Long | | each | 2 | | |
| 70 | BMZ01042 | Vibration Isolator, Bar, 9.63 x 2 x 1.50 | | each | 2 | | |
| 80 | BMZ01044 | Bkt, Cradle, Pivot, Adm Transit, '12 | | each | 1 | | |
| 90 | BMZ01047 | Bkt, Bar, Slide Nut, ADJ, Trans ADM, '12 | | each | 2 | | |
| 110 | PIS01010 | Shaft, Stl, Grease, ADM Transit, '12 | | each | 1 | | |
| 120 | SPR00002 | Spring, Comp, R/H, 110 x 50 x 8.4, Red | | each | 1 | | |
| 130 | WFS16001 | Washer, Flat, Dbl Step, 17mm, 50mm, Plt | | each | 1 | | |
| 140 | WFS27001 | Washer, Flat, Dbl Step, 27mm, 63.5, Plt | | each | 1 | | |
| 150 | KBB00025 | Bag Kit, Fasteners, KBB00001 | | each | 1 | | |
| 160 | KBB00026 | Bag Kit, Fasteners, Assembly, KBB00001 | | each | 1 | | |

NOTE:

Use Blue "Loctite" on the (4) fasteners to fasten BMZ01034 in place.
1/2 -13 UNC grd. 8 bolts, c/w
 L'whrs torque... used on the PIS01010 Shaft = 45 FT*LBS.
 (/VTS@ JAN-25-2019)

Bill of Materials Listing

TransArctic Canada Inc.

6/3/2020
Page 1 of 1

| Product Number | | Description | Rev# | Date | Weight | Uof M | Yield |
|-----------------|-----------------|---------------------------------------|----------|-----------------|-------------|-------|----------|
| Line | Component Prod# | Description | Bin | Unit | Qty | | |
| KBB00025 | | Bag Kit, Fasteners, KBB00001/2 | 5 | 8/1/2012 | 1.61 | | 0 |
| 10 | BTQ08126 | Bolt, Hex, 1/2-20unf, 1.25", 8, Plt | | each | 6 | | |
| 20 | BTQ08150 | Bolt, Hex, 1/2-13unc, 1.5", 8, Plt | | each | 1 | | |
| 30 | BTQ10351 | Bolt, Hex, 5/8-18unf, 3.5", 8. PLT | | each | 1 | | |
| 50 | NTQ08000 | Nut, Hex, 1/2-13unc, 8, Plt | | each | 1 | | |
| 60 | NTQ10000 | Nut, Hex, 5/8-11unc, 8, Plt | | each | 2 | | |
| 65 | NTQ10001 | Nut, Hex, 5/8-18unf, 8, Plt | | each | 1 | | |
| 100 | WFQ08000 | Washer, Flat, 1/2", 8, Plt | | each | 8 | | |
| 110 | WFQ10000 | Washer, Flat, 5/8", 8, Plt | | each | 2 | | |
| 120 | WLQ08000 | Washer, Lock, 1/2", 8, Plt | | each | 7 | | |
| 130 | WLQ10000 | Washer, Lock, 5/8", 8, Plt | | each | 2 | | |

Bill of Materials Listing

TransArctic Canada Inc.

6/3/2020
Page 1 of 1

| Product Number | | Description | Rev# | Date | Weight | Uof M | Yield |
|-----------------|-----------------|---|----------|-----------------|-------------|-------|----------|
| Line | Component Prod# | Description | Bin | Unit | Qty | | |
| KBB00026 | | Bag Kit, Fasteners, Assembly, KBB00001/2 | 4 | 8/1/2012 | 2.48 | | 0 |
| 5 | BTQ08101 | Bolt, Hex, 1/2-20unf, 1.00", 8, Plt | | each | 6 | | |
| 15 | BTQ08100 | Bolt, Hex, 1/2-13unc, 1.00", 8, Plt | | each | 1 | | |
| 20 | BTQ08150 | Bolt, Hex, 1/2-13unc, 1.5", 8, Plt | | each | 8 | | |
| 70 | WFS08001 | Washer, Flat, 1/2", 8, USS, Plt | | each | 2 | | |
| 100 | WFQ08000 | Washer, Flat, 1/2", 8, Plt | | each | 6 | | |
| 120 | WLQ08000 | Washer, Lock, 1/2", 8, Plt | | each | 16 | | |
| 130 | NTQ08000 | Nut, Hex, 1/2-13unc, 8, Plt | | each | 4 | | |
| 140 | BTM08100 | Bolt, 1/2-13 x 1.0" w/ Grease Nipple FTG | | each | 1 | | |

Bill of Materials Listing

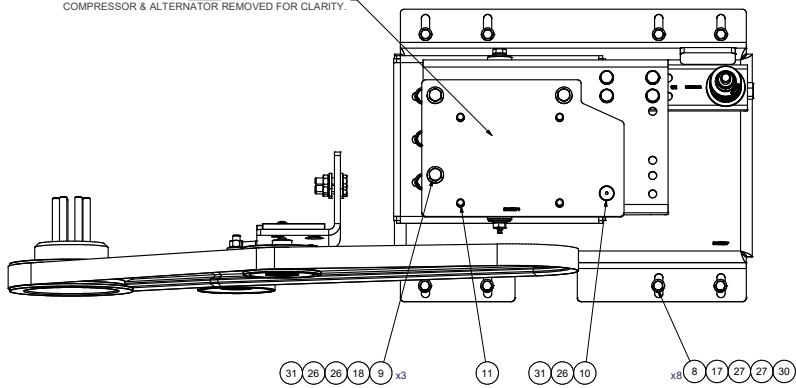
TransArctic Canada Inc.

11/10/2020

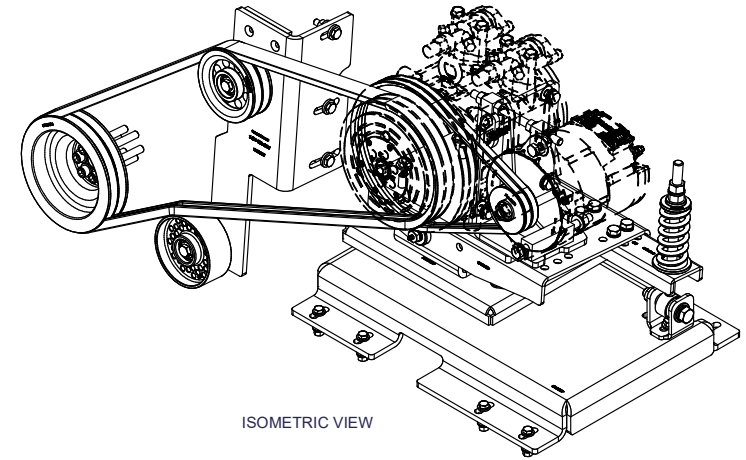
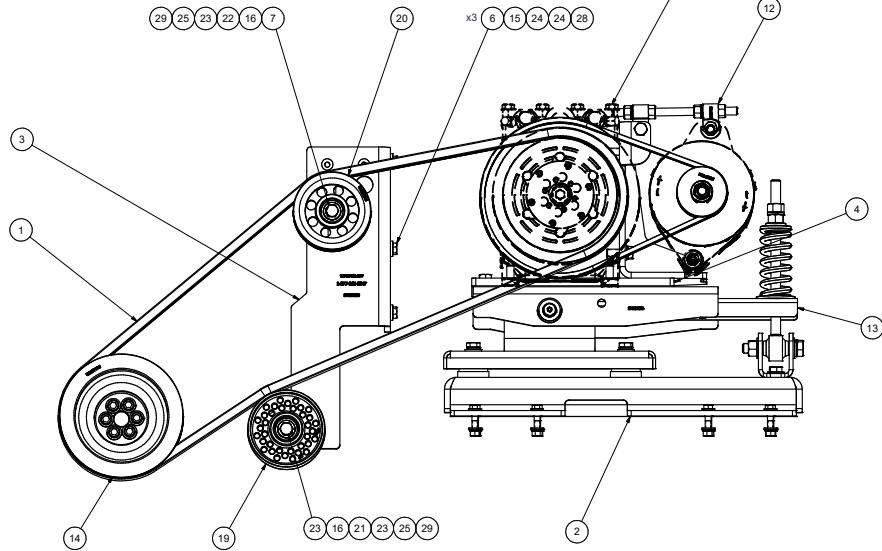
Page 1 of 1

| Product Number | | Date | Description | | Uof M | Weight | Yield | |
|-----------------|-----|------------------|-------------|--|-------|--------|--------------|----------|
| Line | Qty | Component Prod# | Rev# | Description | Bin | Unit | | |
| KPC64094 | | 5/13/2008 | 0 | Kit, Pulley, 2B, ISB, 2013 | | | 14.32 | 0 |
| 10 | 1 | PUL67222 | 0 | Pulley, Crank, ADD-ON, ISB,6.7L,2B/X,'07 | | each | | |
| 20 | 6 | CSS12090 | | Capscrew, SH, 12 x 1.25 x 90mm, 12.9,BLK | | each | | |
| 30 | 6 | WFS12002 | 0 | Washer, Flat, Hdn, 12mm, Stl, BLK | | each | | |

NOTE:
COMPRESSOR & ALTERNATOR REMOVED FOR CLARITY.



NOTE:
SHOWING TRANSARCTIC
COMPRESSOR PART#
CMV33644 (TM-55)
CMV38844 (TM-65)
AS REFERENCE.



ISOMETRIC VIEW

NOTES:

1) USE SERVICABLE THREADLOCKER ON ALL FASTENERS TO ENGINE COMPONENTS AND TORQUE ALL BOLTS TO S.A.E. SPECIFICATIONS.

2) SEE "TRANSARCTIC A/C COMPRESSOR MOUNT INSTALLATION DISCLAIMER".

| ITEM | QTY | U/M | PART NUMBER | DESCRIPTION |
|------|-----|------|-------------|--|
| 31 | 4 | EACH | WLQ08000 | WASHER, LOCK, 1/2", 8, PLT |
| 30 | 8 | EACH | WLQ06000 | WASHER, LOCK, 3/8", 8, PLT |
| 29 | 2 | EACH | WLA12000 | WASHER, LOCK, 12mm, 8,8, PLT |
| 28 | 3 | EACH | WLA10000 | WASHER, LOCK, 10mm, 8,8, PLT |
| 27 | 16 | EACH | WFS06002 | WASHER, FLAT, 3/8", 19, PLT |
| 26 | 7 | EACH | WFO08000 | WASHER, FLAT, 1/2", 8, PLT |
| 25 | 2 | EACH | WFA12002 | WASHER, FLAT, 12mm, HVY, 8,8, PLT |
| 24 | 6 | EACH | WFA10002 | WASHER, FLAT, 10mm, HVY, 8,8, PLT |
| 23 | 2 | EACH | SLV17012 | SLEEVE, PULLEY, 16.90 x 22.23 mm x12.19! |
| 22 | 1 | EACH | SCD21912 | SPACER, COL, DRL, 21.9mm x 31.80 x12.0! |
| 21 | 1 | EACH | SCD16012 | SPACER, COL, DRL, 16 mm x 31.80 x12.0! |
| 20 | 1 | EACH | PUA05012 | PULLEY, ASSY, IDLER, B/BX gr, 5" STL, PLT |
| 19 | 1 | EACH | PUA05001 | PULLEY, ASSY, IDLER, B/S, 5", STL, PLT |
| 18 | 4 | EACH | NTQ08000 | NUT, HEX, 1/2-13UNC, 8, PLT |
| 17 | 8 | EACH | NTQ06000 | NUT, HEX, 3/8-16UNC, 8, PLT |
| 16 | 2 | EACH | NTA12000 | NUT, HEX, 12 x 1.75, 8,8, PLT |
| 15 | 3 | EACH | NTA10000 | NUT, HEX, 10 x 1.5, 8,8, PLT |
| 14 | 1 | EACH | KPC64094 | KIT, PULLEY, 2B, ISB, 2013 |
| 13 | 1 | EACH | KBB00002 | MT KIT, PS, PLATFORM, TRANSIT, ADM, '20 |
| 12 | 1 | EACH | KAC65501 | KIT, ALTERNATOR, TM-65, CURB SIDE, '13 |
| 11 | 4 | EACH | CSF12036 | CAPSCREW, FH, 12 x 1.75 x 35mm, 10,9, PLT |
| 10 | 1 | EACH | CSF08150 | CAPSCREW, FH, 1/2-13 x 1.5", ALLOY, PLT |
| 9 | 3 | EACH | BTQ06200 | BOLT, HEX, 1/2-13UNC x 2.00, 8, PLT |
| 8 | 8 | EACH | BTQ06175 | BOLT, HEX, 3/8-16UNC, 1.75", 8, PLT |
| 7 | 2 | EACH | BTCL2080 | BOLT, HEX, 12 x 1.75 x 80mm, 10,9, PLT, FT |
| 6 | 3 | EACH | BTCL0045 | BOLT, HEX, 10 x 1.5 x 45mm, 10,9, PLT |
| 5 | 1 | EACH | BMZ01059 | BKT, SLIDE, BLOCK, TH, HDX, '13 |
| 4 | 1 | EACH | BMZ00074 | BKT, PL, TM-55/65, HDX, INTERFACE, '50" |
| 3 | 1 | EACH | BMC90022 | BKT, MAIN, IDLER, WELDMT, ISL, HDX, '16 |
| 2 | 1 | EACH | BMC90017 | BKT, FOUNDN, HDX, 4XFC, '16 |
| 1 | 1 | EACH | BEL32286 | BELT, BANDED B GR, 2286mm (90") |

BILL OF MATERIALS
TRANSARCTIC INC.

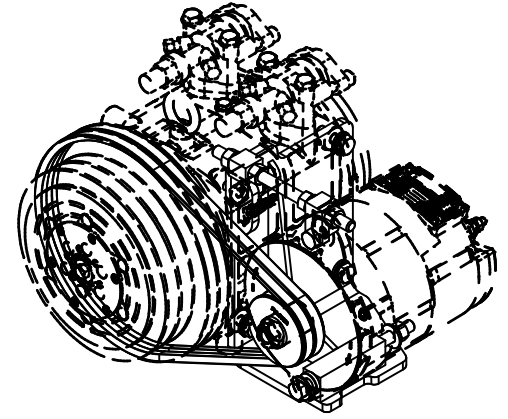
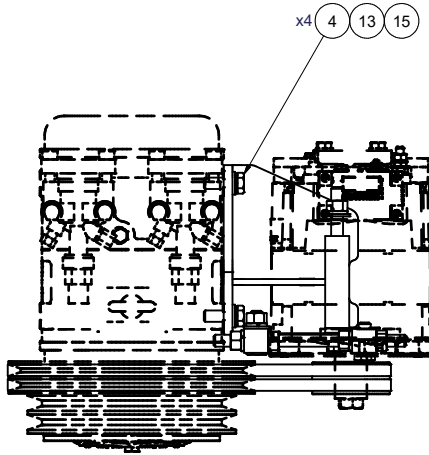
| | | |
|--------------|------------|---------------|
| DRAWN | 11/10/2020 | |
| rodriquez | | |
| CHECKED | 11/10/2020 | |
| Vni Jakowlew | | |
| REV | DATE | BY |
| 1 | 11/10/2020 | JBR |
| 2 | 11/10/2020 | James Stewart |
| 3 | 11/10/2020 | James Stewart |
| 4 | 11/10/2020 | Dale Mason |

| | |
|--------|--------------------------------------|
| TITLE | MT KIT, ISB, HDX, TM-55/65, ALT, '20 |
| DWG NO | KMC66697 |
| SCALE | 1:4 |
| SHEET | 1 OF 1 |

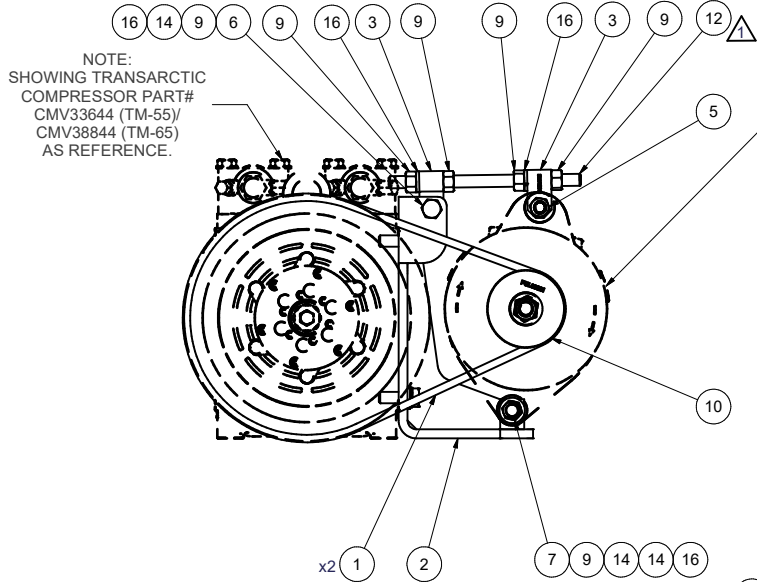
| | | |
|--------------------------|----------|--------|
| UNSPECIFIED TOLERANCES: | ALL DIMS | FINISH |
| ONE DECIMAL PLACE (X1) | 0.1 | 20 |
| TWO DECIMAL PLACE (X2) | 0.05 | 20 |
| THREE DECIMAL PLACE (X3) | 0.025 | 20 |
| FRACTIONAL (X1/16) | 1/32 | 20 |



DRAWING UNIT OF MEASURE: MM (INCH)

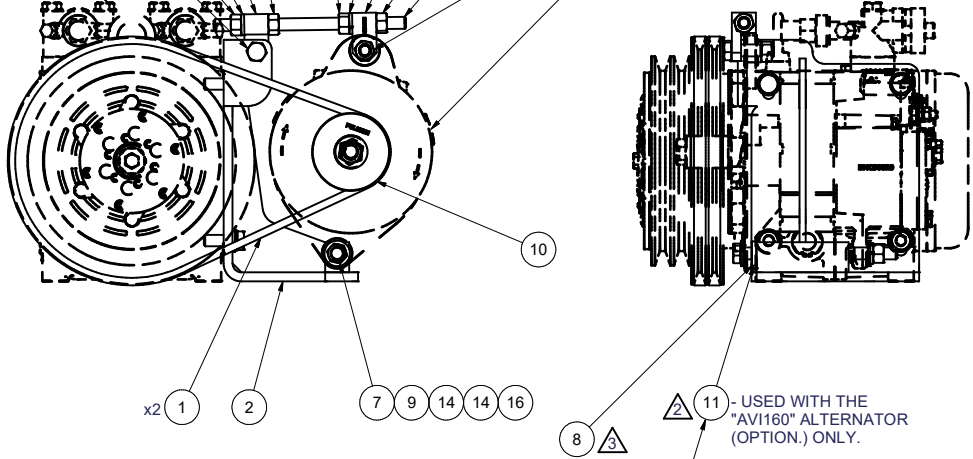


ISOMETRIC VIEW



NOTE:
SHOWING TRANSARCTIC
COMPRESSOR PART#
CMV33644 (TM-55/
CMV38844 (TM-65)
AS REFERENCE.

NOTE:
SHOWING ALTERNATOR
AS REFERENCE



USE KBA84064 SHIM KIT AS REQUIRED
TO ALIGN ALTERNATOR PULLEY TO
COMPRESSOR PULLEY "A" GROOVES.

11 - USED WITH THE
"AVI160" ALTERNATOR
(OPTION.) ONLY.

NOTES:

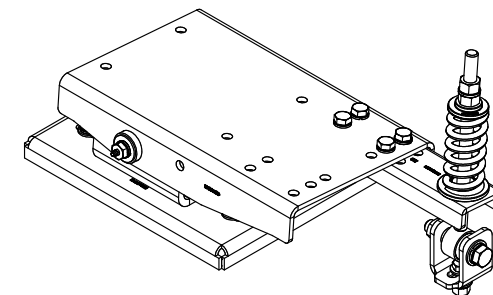
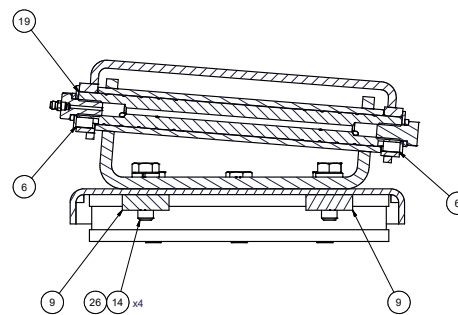
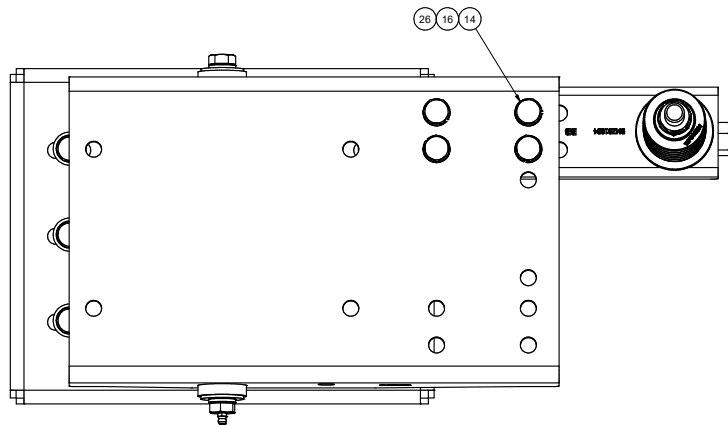
- 1) USE SERVICABLE THREADLOCKER ON ALL FASTENERS TO ENGINE COMPONENTS AND TORQUE **ALL** BOLTS TO S.A.E. SPECIFICATIONS.
- 2) SEE "TRANSARCTIC A/C COMPRESSOR MOUNT INSTALLATION DISCLAIMER".
- 3) WEIGHT: 18.11 LB

| 16 | 4 | EACH | WLQ08000 | WASHER, LOCK, 1/2", 8, PLT |
|------|-----|------|-------------|---|
| 15 | 4 | EACH | WLA12000 | WASHER, LOCK, 12mm, 8.8, PLT |
| 14 | 3 | EACH | WFO08000 | WASHER, FLAT, 1/2", 8, PLT |
| 13 | 4 | EACH | WFA12000 | WASHER, FLAT, 12mm, 8.8, PLT |
| 12 | 1 | EACH | TRD08080 | THREADED, ROD, 1/2-13UNC x 8", 5 PLT |
| 11 | 1 | EACH | SCD05513 | SPACER, COL, DRL, 5.51mm x 25.4o x 12.7i |
| 10 | 1 | EACH | PUL03321 | PULLEY, ALT, IDLER, 3.25"o, 2A |
| 9 | 6 | EACH | NTQ08000 | NUT, HEX, 1/2-13UNC, 8, PLT |
| 8 | 1 | EACH | KBA84064 | BAG KIT, ALT SHIM, KC84064, KAC65501/02 |
| 7 | 1 | EACH | BTQ08653 | BOLT, HEX, 1/2-13UNC x 6.50, 8, PLT |
| 6 | 1 | EACH | BTQ08150 | BOLT, HEX, 1/2-13UNC x 1.50, 8, PLT |
| 5 | 1 | EACH | BTQ08125 | BOLT, HEX, 1/2-13UNC x 1.25, 8, PLT |
| 4 | 4 | EACH | BTC12035 | BOLT, HEX, 12 x 1.75 x 35mm, 10.9, PLT |
| 3 | 2 | EACH | BMT10011 | BKT, TENR, BLOCK, OFFSET, 3mm |
| 2 | 1 | EACH | BMCS90020 | BKT, ALT, WELDM'T, CURB SIDE, TM-65/55, '16 |
| 1 | 2 | EACH | BEL11040 | BELT, A gr, 1040mm (41") |
| ITEM | QTY | U/M | PART NUMBER | DESCRIPTION |

BILL OF MATERIALS

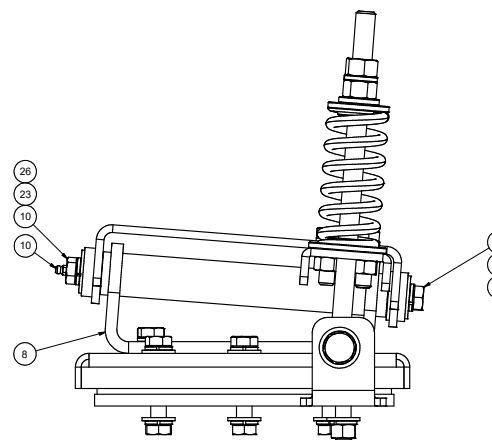
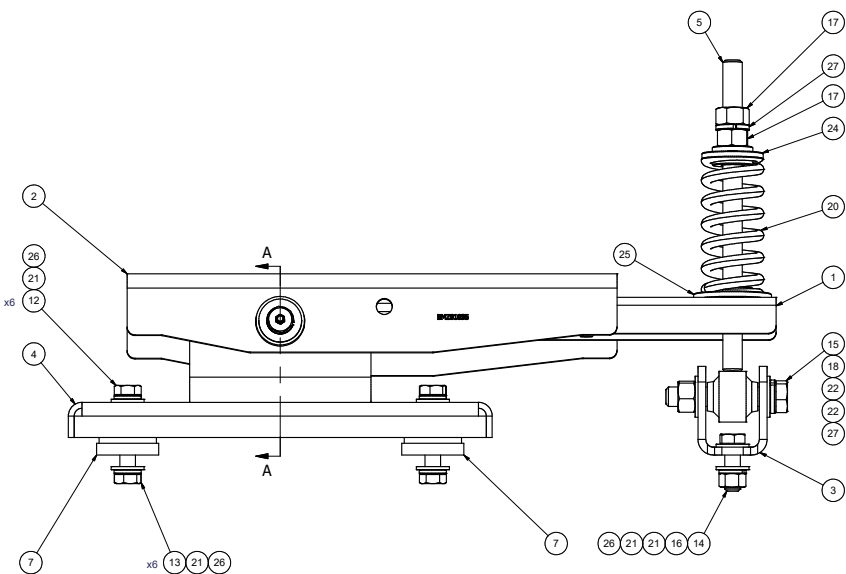
| | | | | |
|---|------------------------------|--------------|-------|---|
| 3 | ADDED KBA84064 SHIM BAG KIT. | 02/03/2022 | VALJ | |
| 2 | ADDED SCD05513. | 05/11/2021 | JRR | |
| 1 | WAS TRD08060, NOW TRD08080 | 10/2/2018 | JRR | |
| 0 | RELEASED TO PRODUCTION. | 8/3/2016 | JRR | |
| REV: | ECN: | DESCRIPTION: | DATE: | BY: |
| THIS DRAWING CONTAINS PROPRIETARY CONFIDENTIAL INFORMATION OWNED BY TRANSARCTIC CANADA INC. THE DOCUMENT AND THE INFORMATION IN IT ARE NOT TO BE USED, DISCLOSED OR REPRODUCED WITHOUT EXPRESS WRITTEN PERMISSION OF THE COMPANY. | | | | |
| UNSPECIFIED TOLERANCES: [ALT. DIM.] | | | | |
| ONE DECIMAL PLACE (X) | MM | (INCH) | | |
| TWO DECIMAL PLACE (XX) | .50 | [.005] | | |
| THREE DECIMAL PLACE (XXX) | .25 | [.010] | | |
| FRACTIONAL (1/16") | .10 | [.005] | | |
| | ANGULAR | +/- .50° | | |
| THIRD ANGLE PROJECTION | | | | |
| DRAWN | | 08/03/16 | | |
| vjakowlew | | | | |
| CHECKED | | | | |
| Jose Rodriguez | | 08/03/16 | | |
| MFG | | 08/03/16 | | TITLE KIT, ALTERNATOR, TM-55/65, CURB SIDE, '13 |
| James Stewart | | 8/3/2016 | | |
| APPROVED | | | | |
| Dale Mason | | 08/03/16 | | SIZE C |
| DRAWING UNIT OF MEASURE: | | MM [INCH] | | DWG NO KAC65501 |
| SCALE | | 1:4 | | REV 3 |
| SHEET | | 1 OF 1 | | |

8 7 6 5 4 3 2 1



ISOMETRIC VIEW
SCALE 1/3

SECTION A-A



| | | | | |
|------|-----|------|-------------|---|
| 27 | 2 | EACH | WLO10000 | WASHER, LOCK, 5/8", 8, PLT |
| 26 | 23 | EACH | WLO08000 | WASHER, LOCK, 1/2", 8, PLT |
| 25 | 1 | EACH | WFS27001 | WASHER, FLAT, DBL STEP, 28mm, 63.5, PLT |
| 24 | 1 | EACH | WFS16001 | WASHER, FLAT, DBL STEP, 16mm, 50mm, PLT |
| 23 | 2 | EACH | WFS08001 | WASHER, FLAT, 1/2", 8, USS, PLT |
| 22 | 2 | EACH | WFO10000 | WASHER, FLAT, 5/8", 8, PLT |
| 21 | 14 | EACH | WFO08000 | WASHER, FLAT, 1/2", 8, PLT |
| 20 | 1 | EACH | SPR00002 | SPRING, COMP, R/H, 110 x 50 x 8.4, RED |
| 19 | 1 | EACH | PTSO1010 | SHAFT, STL, GREASE, ADM TRANSIT, '12 |
| 18 | 1 | EACH | NTQ10001 | NUT, HEX, 5/8-18UNC, 8, PLT |
| 17 | 2 | EACH | NTQ10000 | NUT, HEX, 5/8-11UNC, 8, PLT |
| 16 | 5 | EACH | NTQ08000 | NUT, HEX, 1/2-13UNC, 8, PLT |
| 15 | 1 | EACH | BTQ10351 | BOLT, HEX, 5/8-18UNC x 3.50, 8, PLT |
| 14 | 9 | EACH | BTQ08150 | BOLT, HEX, 1/2-20UNC x 1.25, 8, PLT |
| 13 | 6 | EACH | BTQ08126 | BOLT, HEX, 1/2-20UNC x 1.00, 8, PLT |
| 12 | 6 | EACH | BTQ08101 | BOLT, HEX, 1/2-20UNC x 1.00, 8, PLT |
| 11 | 1 | EACH | BTQ08100 | BOLT, HEX, 1/2-13UNC x 1.00, 8, PLT |
| 10 | 1 | EACH | BTM08100 | BOLT, 1/2-13 x 1.0" w/ GREASE NIPPLE FTG |
| 9 | 2 | EACH | BMZ01047 | BKT, BAR, SLIDE NUT, ADJ, TRANS ADM, '12 |
| 8 | 1 | EACH | BMZ01044 | BKT, ASSY, CRADLE PIVOT, ADM TRANSIT, '12 |
| 7 | 2 | EACH | BMZ01042 | VIBRATION ISOLATOR, BAR, 9.63 x 2 x 1.50 |
| 6 | 2 | EACH | BMZ01041 | Shaft Key, 5/16" SQ x .540" Long |
| 5 | 1 | EACH | BMZ01040 | BKT, ASSY, THRD ROD, ISOLATOR, ADM, '12 |
| 4 | 1 | EACH | BMZ01038 | BKT, MAIN, BASE PL, ADM, '12 |
| 3 | 1 | EACH | BMZ01037 | BKT, FORK, KNUCKLE-JOINT, ADM, '12 |
| 2 | 1 | EACH | BMZ01035 | BKT, MAIN, PIVOT, ASSY, ADM TRANSIT, '12 |
| 1 | 1 | EACH | BMZ01034 | BKT, SPRING, SUPPORT ARM, ADM, '12 |
| ITEM | QTY | U/M | PART NUMBER | DESCRIPTION |

BILL OF MATERIALS
TRANSARCTIC INC.

| | | | | |
|-----|-----|------------------------|-----------|---------------|
| REV | ECN | DESCRIPTION | DATE | BY |
| 0 | | RELEASED TO PRODUCTION | 6/12/2020 | JRR |
| 1 | | | 6/12/2020 | Val Jakowlew |
| 2 | | | 6/12/2020 | James Stewart |
| 3 | | | 6/12/2020 | Ron Ingram |
| 4 | | | 6/12/2020 | Dale Mason |

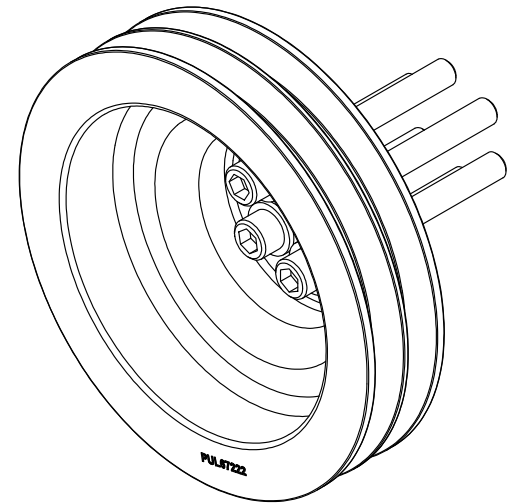
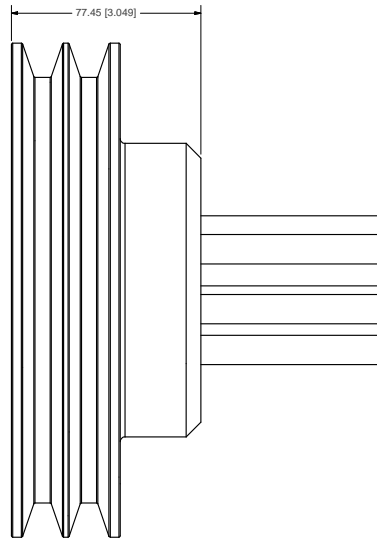
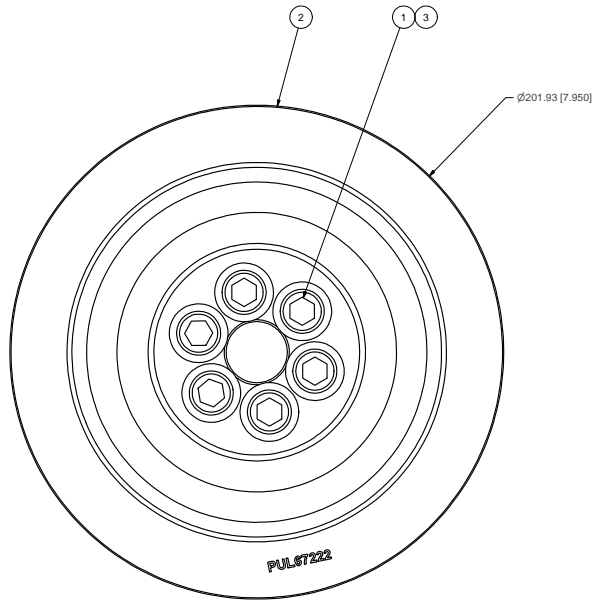
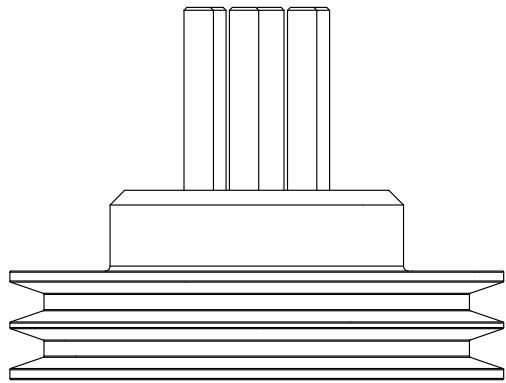
NOTES:

- 1) USE SERVICABLE THREADLOCKER ON ALL FASTENERS TO ENGINE COMPONENTS AND TORQUE ALL BOLTS TO S.A.E. SPECIFICATIONS.
- 2) SEE "TRANSARCTIC A/C COMPRESSOR MOUNT INSTALLATION DISCLAIMER".

| | | |
|---------------------------|----------|--------|
| UNSPECIFIED TOLERANCES: | ALL DIMS | FINISH |
| ONE DECIMAL PLACE (X1) | 25 | 1300 |
| TWO DECIMAL PLACE (X10) | 25 | 1300 |
| THREE DECIMAL PLACE (X30) | 25 | 1300 |
| FRACTIONAL (X1/16) | 16 | 32 |

| | |
|-------------------------|-----------|
| DRAWING UNIT OF MEASURE | MM (INCH) |
| SCALE | 1:2 |
| DWG NO | KBB00002 |
| REV | 0 |
| SHEET | 1 OF 1 |

8 7 6 5 4 3 2 1



ISOMETRIC VIEW

NOTES:

- 1) USE SERVICABLE THREADLOCKER ON ALL FASTENERS TO ENGINE COMPONENTS AND TORQUE **ALL BOLTS** TO S.A.E. SPECIFICATIONS.
- 2) SEE "TRANSARTIC A/C COMPRESSOR MOUNT INSTALLATION DISCLAIMER".
- 3) WEIGHT: 13.24 LB

| ITEM | QTY | U/M | PART NUMBER | DESCRIPTION |
|------|-----|------|-------------|---|
| 3 | 6 | EACH | WFS12002 | WASHER, FLAT, HDN, 12mm, STL, BLK |
| 2 | 1 | EACH | PUL67222 | PULLEY, CRANK, ADD-ON, ISB, 5.7L, 2B/IX '07 |
| 1 | 6 | EACH | CSS12090 | CAPSCREW, SH, 12 x 1.25 x 90mm, 12.9, FLT |

TRANSARTIG INC.

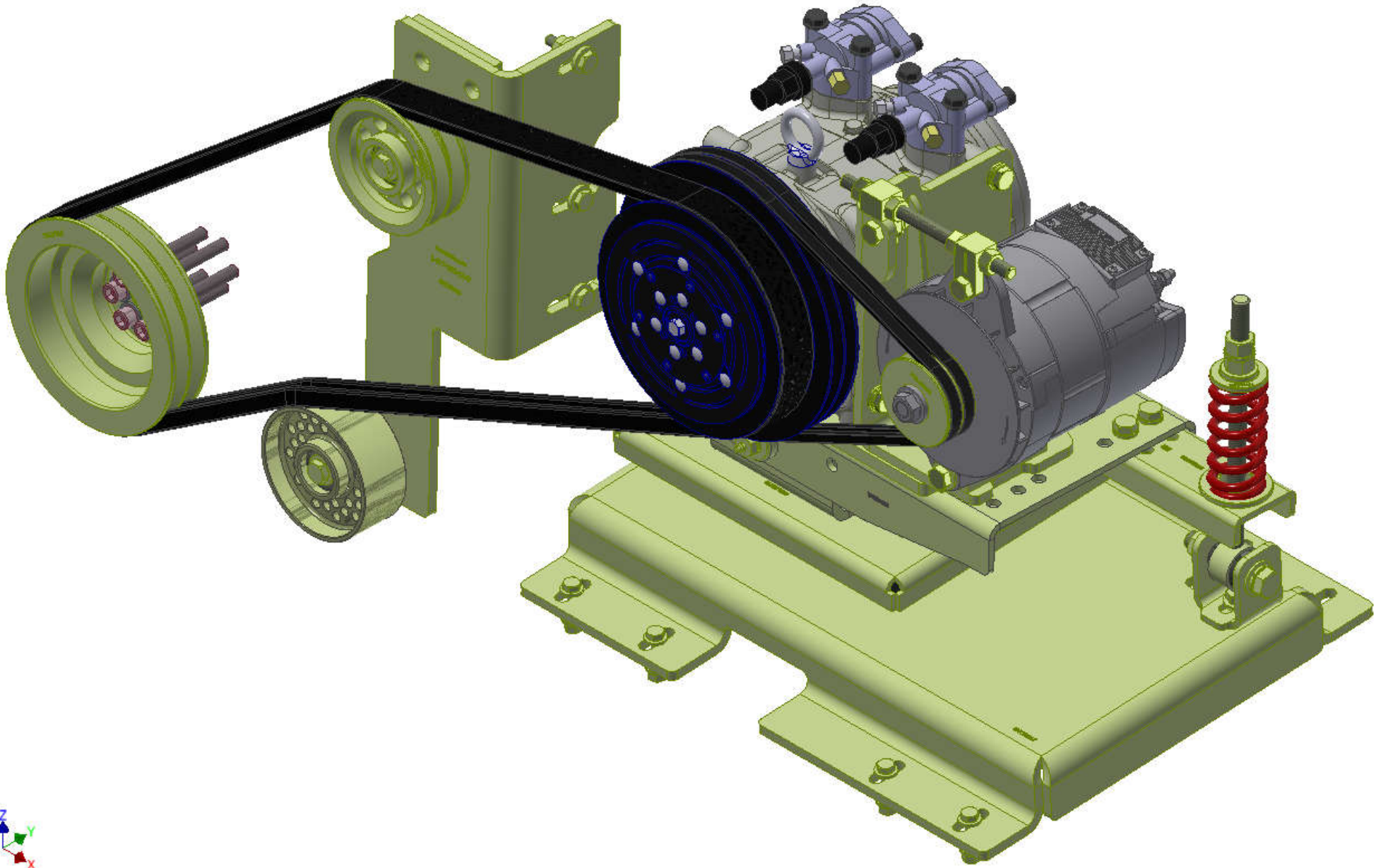
| | | | |
|-----|------------------------|------------|---------------|
| U | RELEASED TO PRODUCTION | 11/6/2013 | JRR |
| REV | DESCRIPTION | DATE | BY |
| 1 | | 11/6/2013 | Val Jakowlew |
| 2 | | 10/21/2008 | James Stewart |
| 3 | | 11/6/2013 | Ron Ingram |
| 4 | | 11/6/2013 | Dale Mason |

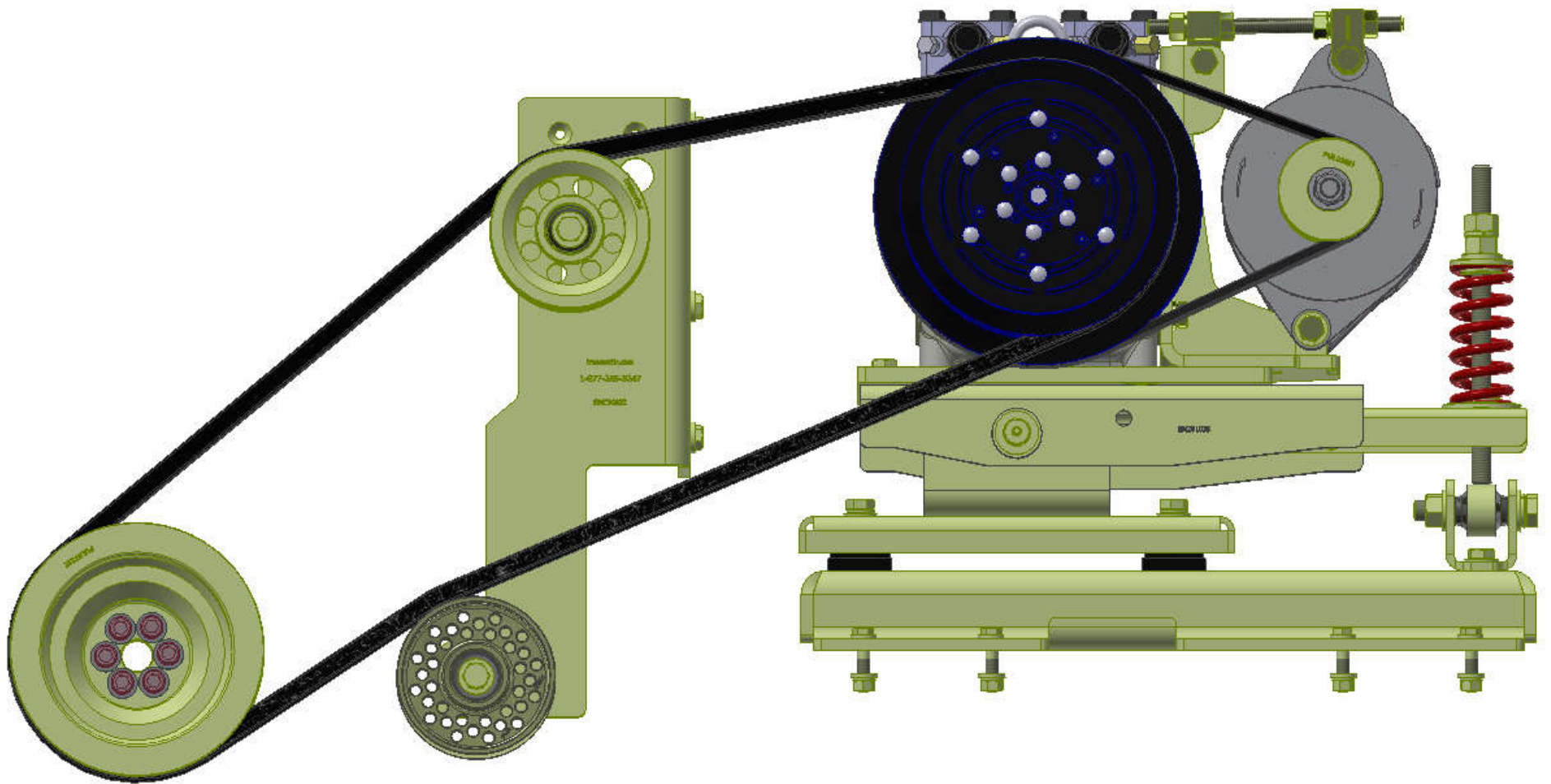
THIS DRAWING CONTAINS PROPRIETARY CONFIDENTIAL INFORMATION OWNED BY TRANSARTIC CANADA INC. THE DOCUMENT AND THE INFORMATION IN IT ARE NOT TO BE USED, DISCLOSED OR REPRODUCED WITHOUT EXPRESS WRITTEN PERMISSION OF THE COMPANY.

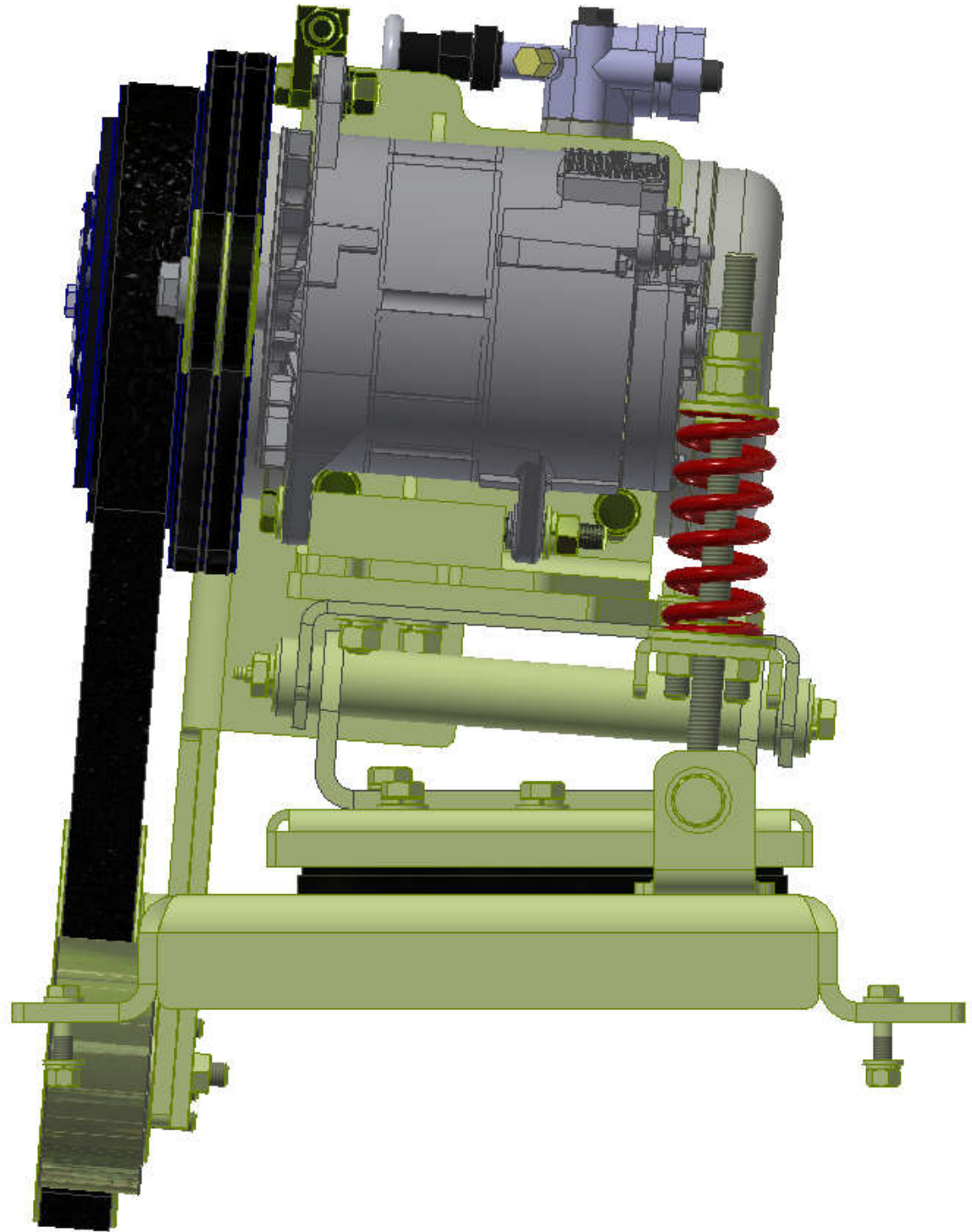
| | | | |
|-------------------------|-----|-------|--------|
| UNSPECIFIED TOLERANCES: | | | |
| ONE DECIMAL PLACE | (X) | 0.1 | (MM) |
| TWO DECIMAL PLACE | (X) | 0.05 | (MM) |
| THREE DECIMAL PLACE | (X) | 0.025 | (MM) |
| FRACTIONAL (1/16") | (X) | 0.005 | (INCH) |

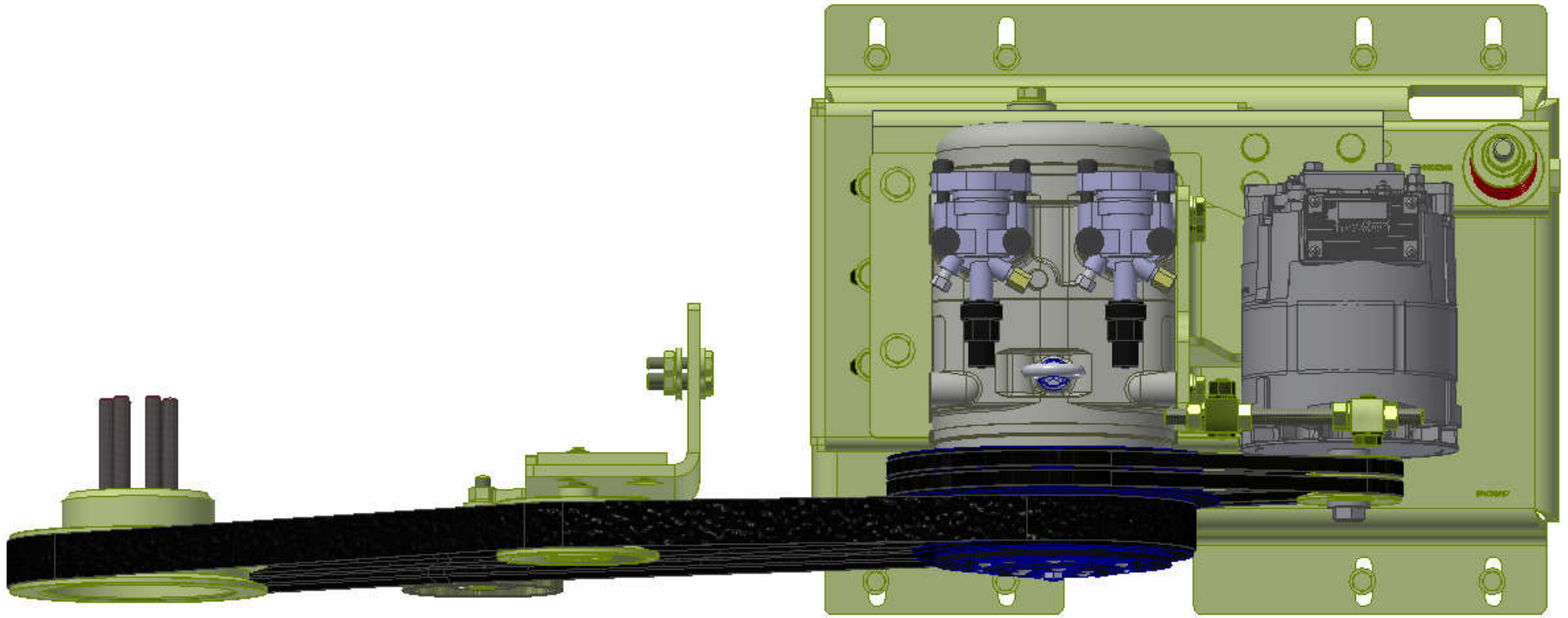


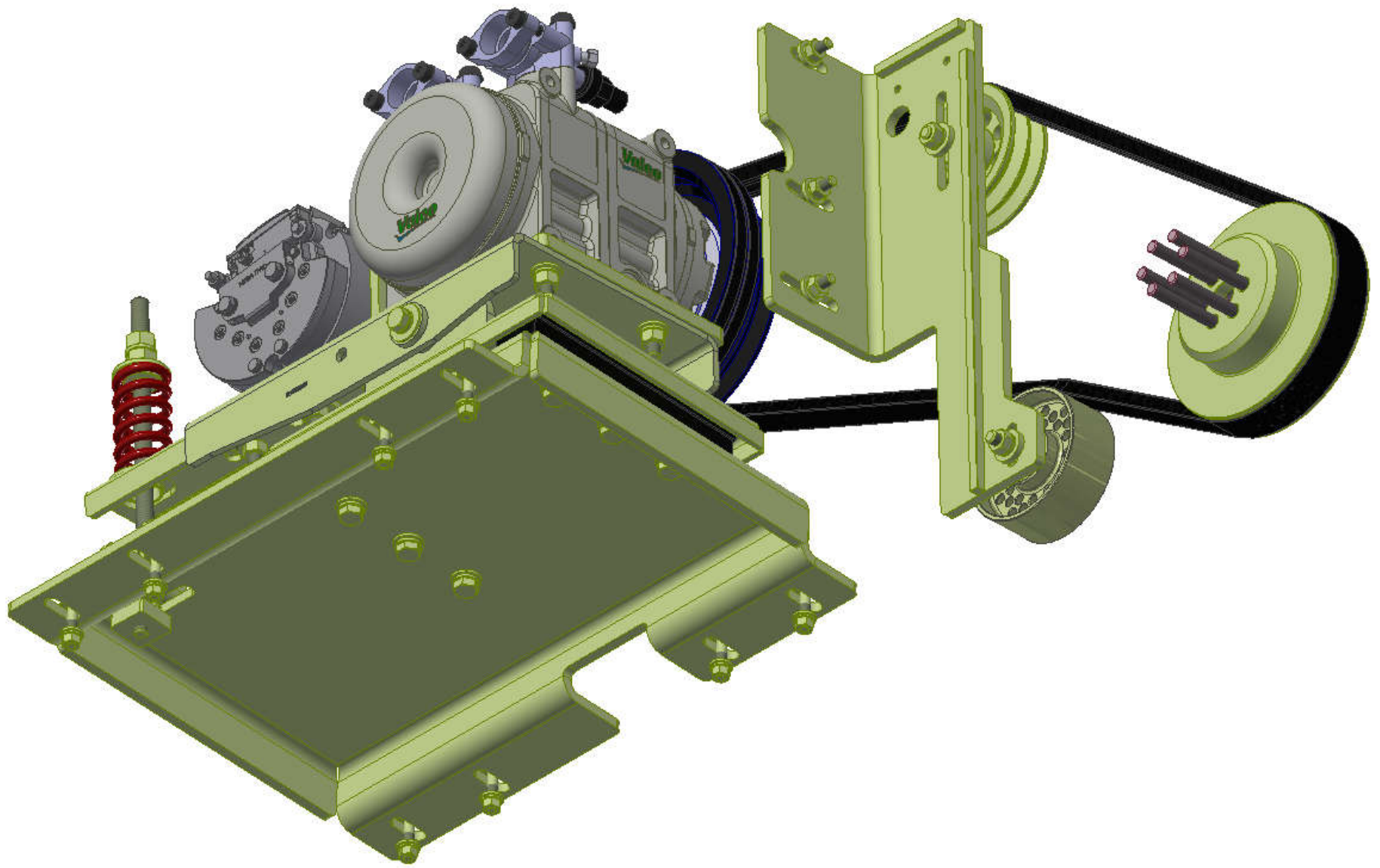
| | | | |
|----------|----------------|----------------------------|----------|
| DRAWN | Jose Rodriguez | 11/6/2013 | |
| CHECKED | Val Jakowlew | 11/6/2013 | |
| APPROVED | Ron Ingram | 11/6/2013 | |
| DATE | Dale Mason | 11/6/2013 | |
| TITLE | | KIT, PULLEY, 2B, ISB, 1013 | |
| SIZE | D | DWG NO | KPC64094 |
| SCALE | 1:1 | SHEET | 1 OF 1 |











TransArctic A/C Compressor Mount Installation Disclaimer

All compressor mounts should be installed by qualified and trained personnel using proper tools and equipment in safe working conditions following industry standard guidelines for motor vehicle service and repair.

The installer of any compressor mount purchased from TransArctic must undertake all responsibility of issues arising from that compressor bracket being installed on any vehicle. As well as insure that a **proper and sufficient ground** is established between the compressors' clutches and the vehicle's engine. Mount functionality, operation and durability can all be compromised by an incompetent installation.

Due to the many different situations, parameters and application criteria, which are beyond the compressor mount manufacturer's control, TransArctic does not warrant design, durability, or operational functionality of any compressor mount improperly installed by another party.

With no implied guarantees it is the mount installer's strict responsibility to determine safety and functionality, of the compressor mount, at the time of installation.

Please contact TransArctic with any issue arising from installation so we may better improve the product. If you have any reservations about the compressor mount integrity contact TransArctic immediately at 1-877-COLD-AIR.

Mark OEM tensioner location

Install Kit

Check for Interferences

Check to ensure that the proper OEM tensioner orientation is maintained

Run engine with A/C system engaged for at least 10 minutes to run in belt

Check OEM tensioner orientation and adjust as required

Responsabilidad limitada de TransArctic en la instalación del soporte del compresor

Todos los soportes de los compresores deben ser instalados por personas calificadas y entrenadas, usando para ello los equipos y herramientas necesarios para esta labor en buenas condiciones y según las normas y guías para el servicio y/o reparación de motores de vehículos.

El instalador de los soportes comprados en TransArctic asume toda la responsabilidad de cualquier problema que surja en el soporte del compresor al vehículo; de igual manera es responsable que el cable a tierra sea conectado entre el embrague del compresor y el motor del vehículo.

Se advierte que el buen funcionamiento y la durabilidad del soporte pueden ser comprometidos por defectos en su instalación.

Debido a las diversas situaciones que se puedan presentar fuera del control del fabricante, TransArctic no garantiza el diseño, la durabilidad o el correcto funcionamiento de cualquier equipo inapropiadamente instalado por terceros.

Esta sobreentendido que el Instalador del montaje del compresor es estrictamente responsable de la seguridad y funcionamiento del equipo en el momento de la instalación.

Si tuviera algún problema o duda acerca de la instalación del soporte del compresor pongase en contacto inmediatamente con TransArctic al teléfono 1-877-COLD-AIR de modo que podamos mejorar nuestro producto.

Note la ubicación del medidor de tensión OEM

Instale el equipo

Controlar si hay interferencias.

Asegurese que el medidor de tensión mantenga la orientación justa.

Encienda el motor por lo menos 10 minutos con el sistema A/C enganchado para que la correa corra

Controle la orientación justa del medidor de tensión y ajuste a las condiciones requeridas del fabricante