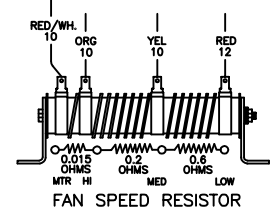
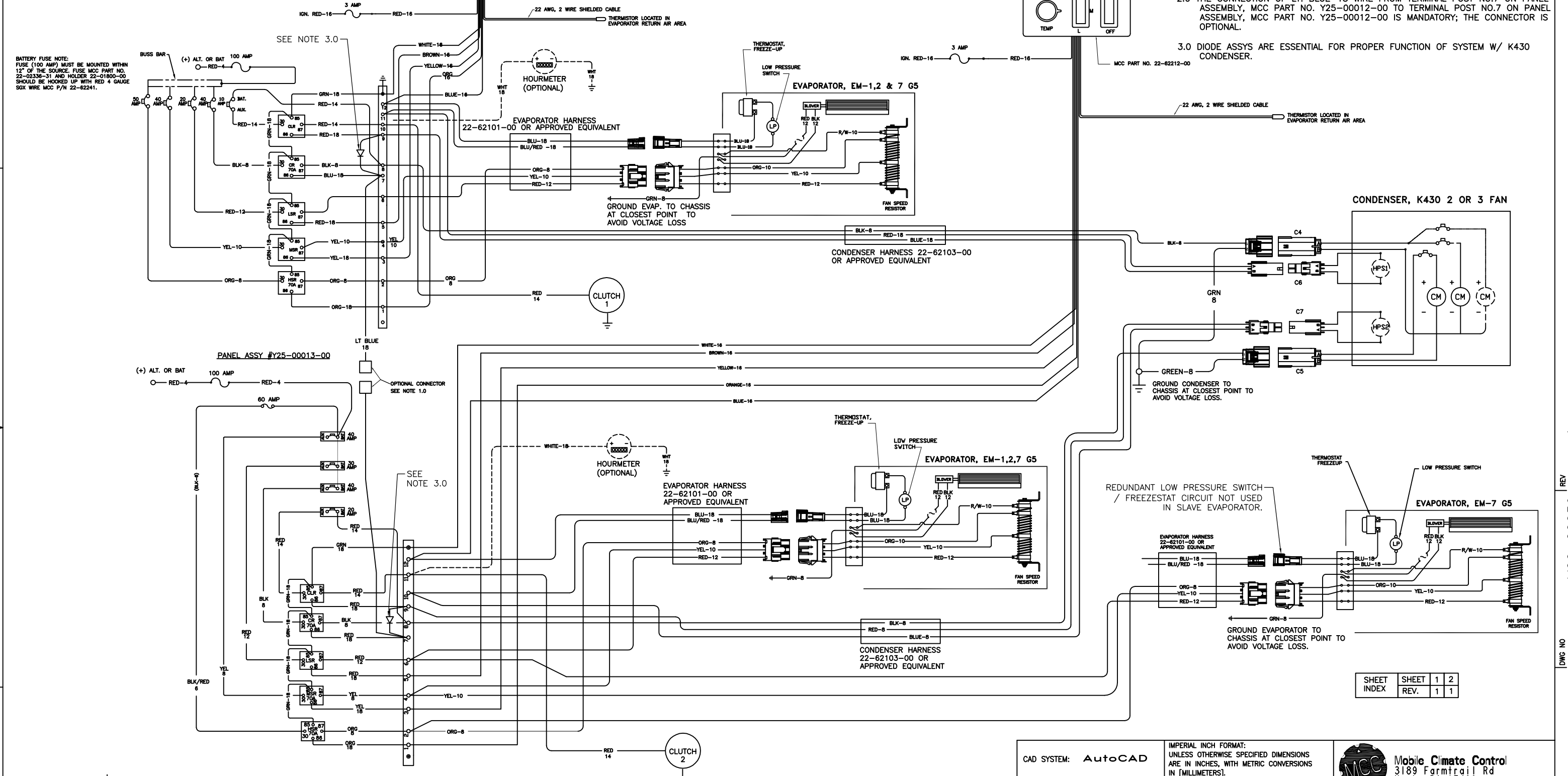


PART NUMBER CHART		
PART/SHEET NUMBER	APPLICATION DESCRIPTION	DWG SHEET
Y66-00059-S1	(3)EM G5 K430 W/ TEMPCON CONTROLS	1
Y66-00059-S2	(3)EM G5 K430 W/ 3 SPEED CONTROLS	2

BATTERY FUSE NOTE:
FUSE (100 AMP) MUST BE MOUNTED WITHIN 12" OF THE SOURCE. FUSE MCC PART NO. 22-02336-31 AND HOLDER 22-01800-00 SHOULD BE HOOKED UP WITH RED 4 GAUGE SOX WIRE MCC P/N 22-62241.

- NOTES:
- 1.0 THE CONNECTION OF LT. BLUE-18 WIRE FROM TERMINAL POST NO.7 ON PANEL ASSEMBLY, MCC PART NO. Y25-00012-00 TO TERMINAL POST NO.7 ON PANEL ASSEMBLY, MCC PART NO. Y25-00013-00 IS MANDATORY; THE CONNECTOR IS OPTIONAL.
 - 2.0 THE CONNECTION OF LT. BLUE-18 WIRE FROM TERMINAL POST NO.7 ON PANEL ASSEMBLY, MCC PART NO. Y25-00012-00 TO TERMINAL POST NO.7 ON PANEL ASSEMBLY, MCC PART NO. Y25-00012-00 IS MANDATORY; THE CONNECTOR IS OPTIONAL.
 - 3.0 DIODE ASSYS ARE ESSENTIAL FOR PROPER FUNCTION OF SYSTEM W/ K430 CONDENSER.



SHEET INDEX	SHEET 1	SHEET 2
	REV. 1	REV. 1

CAD SYSTEM: AutoCAD	IMPERIAL INCH FORMAT: UNLESS OTHERWISE SPECIFIED DIMENSIONS ARE IN INCHES, WITH METRIC CONVERSIONS IN [MILLIMETERS].	Mobile Climate Control 3189 Farmtrail Rd York, PA 17406							
THIRD ANGLE PROJECTION	UNLESS OTHERWISE SPECIFIED TOLERANCES ON: .00 DEC .000 DEC DEC ANG ± .04 ± .020 ± ± 2' [.0] DEC [.00] DEC DEC ±[1.0] ±[.50] ± []								
MATERIAL	SURFACES: ✓ AA HOLE DIA: ± .005 ± [.13] HOLE SPACING: ± .015 ± [.38] HOLE LOC: ± .03 ± [.8] NON-CUMULATIVE	THIS DOCUMENT AND THE INFORMATION CONTAINED THEREIN IS PROPRIETARY TO MOBILE CLIMATE CONTROL AND SHALL NOT BE USED OR DISCLOSED TO OTHERS, IN WHOLE OR IN PART, WITHOUT THE WRITTEN AUTHORIZATION OF MOBILE CLIMATE CONTROL. TITLE: WIRE DIAGRAM (3) EM W/K430 TEMPCON CTRL							
1 INITIAL RELEASE	JAN 9, 2015	TDL	KMS	ECN-8848					
SYM	REVISION RECORD	DATE	BY	ENGR.	M.E.	NPCA NO.	WEIGHT	MFG/PURCH	MFG
DIMENSIONS IN (PARENTHESIS) ARE FOR INFORMATION ONLY. TOLERANCES DO NOT APPLY.		SIZE: D		DRAWING NO.: Y66-00059		SHEET 1 OF 2		REV: 1	
NEXT DRAWING: NONE		SCALE: 1:2		PRINT DISTRIBUTION					

COMMODITY CODE Y66-00059 REV 1 DWG NO

D

C

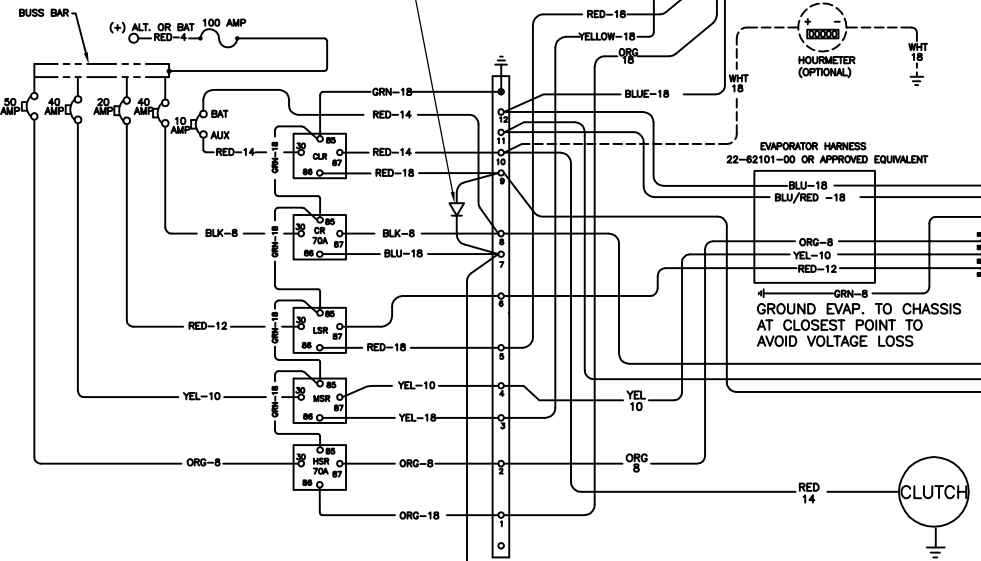
B

A

PANEL ASSY #Y25-00012-00

BATTERY FUSE NOTE:
FUSE (100 AMP) MUST BE MOUNTED WITHIN 12" OF THE SOURCE. FUSE MCC PART NO. 22-02336-31 AND HOLDER 22-01804-00 SHOULD BE HOOKED UP WITH RED #4 GAUGE SOX WIRE MCC P/N 22-62241.

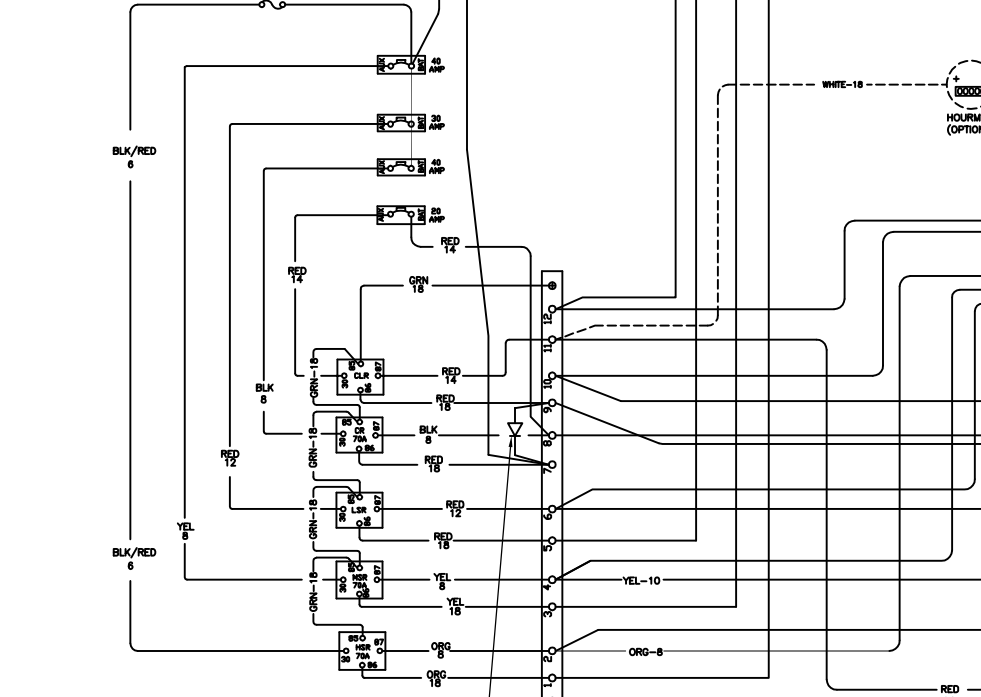
SEE NOTE 3.0



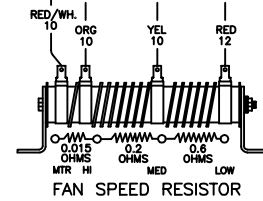
PANEL ASSY #Y25-00013-00

BATTERY FUSE NOTE:
FUSE (100 AMP) MUST BE MOUNTED WITHIN 12" OF THE SOURCE. FUSE MCC PART NO. 22-02336-31 AND HOLDER 22-01804-00 SHOULD BE HOOKED UP WITH RED #4 GAUGE SOX WIRE MCC P/N 22-62241.

SEE NOTE 1.0 ON SHEET NO.1



SEE NOTE 3.0



1	INITIAL RELEASE	JAN 9, 2015	TDL	KMS	ECN-8848				
SYM	REVISION RECORD	DATE	BY	ENGR.	M.E.	NPCA NO.	WEIGHT	MFG/PURCH	MFG

CAD SYSTEM: AutoCAD	IMPERIAL INCH FORMAT: UNLESS OTHERWISE SPECIFIED DIMENSIONS ARE IN INCHES, WITH METRIC CONVERSIONS IN [MILLIMETERS].	Mobile Climate Control 3189 Farmtrail Rd York, PA 17406			
THIRD ANGLE PROJECTION	UNLESS OTHERWISE SPECIFIED TOLERANCES ON: .00 DEC .000 DEC DEC ANG ± .04 ± .020 ± ± 2' [.0] DEC [.00] DEC DEC ±[1.0] ±[.50] ± []				
MATERIAL	SURFACES ✓ AA	HOLE DIA. ± .005 ± [.13]	HOLE SPACING ± .015 ± [.38] NON-CUMULATIVE	HOLE LOC ± .03 ± [.8]	THIS DOCUMENT AND THE INFORMATION CONTAINED THEREIN IS PROPRIETARY TO MOBILE CLIMATE CONTROL AND SHALL NOT BE USED OR DISCLOSED TO OTHERS, IN WHOLE OR IN PART, WITHOUT THE WRITTEN AUTHORIZATION OF MOBILE CLIMATE CONTROL. TITLE: WIRE DIAGRAM (3) EM W/K430 3 SPD CTRL SIZE: D DRAWING NO.: Y66-00059 REV: 1 SHEET 2 OF NEXT DRAWING: NONE SCALE: 1:2
DIMENSIONS IN (PARENTHESIS) ARE FOR INFORMATION ONLY. TOLERANCES DO NOT APPLY.		PRINT DISTRIBUTION			

1
 REV
 Y66-00059
 DMC NO
 COMMODITY CODE