

# Bill of Materials Listing

TransArctic Canada Inc.

6/5/2014  
Page 1 of 1

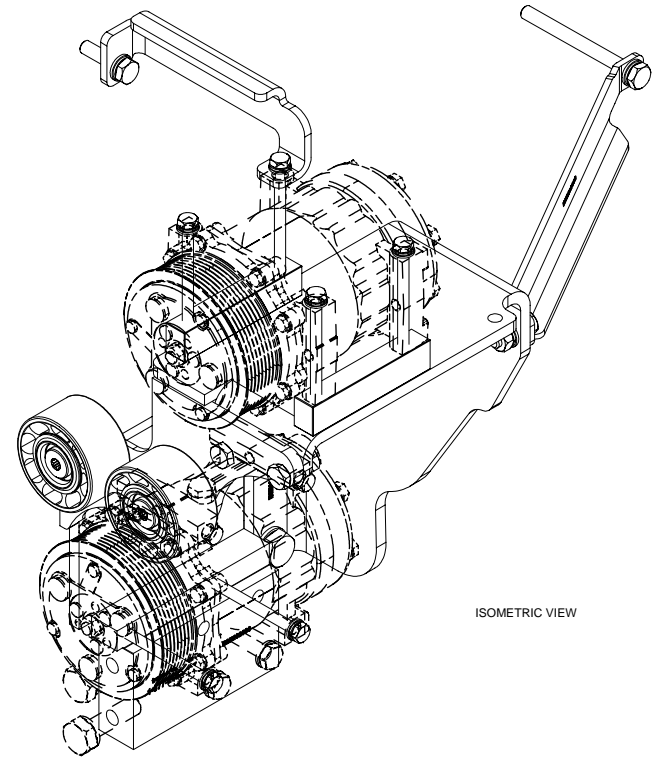
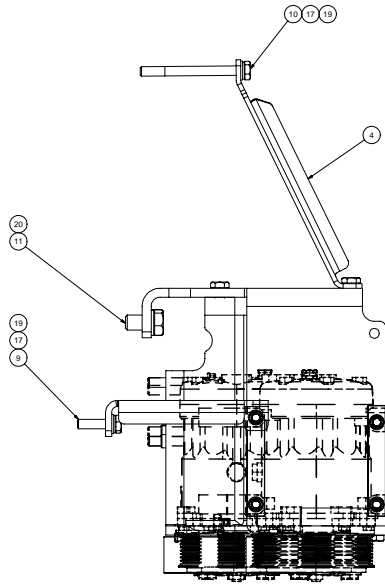
Product Number	Description	Date	Weight	Uof M	Yield
Line    Component    Prod#	Description	Bin                    Unit	Qty		
<b>KMM61901</b>	<b>Mt Kit, 6.4L MBE906, C2/FS65,2 SD7H15,P8</b>		<b>07/17/04</b>	<b>43.76</b>	<b>0</b>
10	BEL82590		Belt, 8gr, 2590mm (102") (5081020)	each	1
20	BMM62600		Bkt, Front, Assy, Block, S/Pins	each	1
30	BMM62606		Bkt, Rear, Weldmt, Block, MBE906, P8	each	1
40	BMM62608		Bkt, Brace, Diag, RR, Sup, MBE906, P8	each	1
50	BMM62609		Bkt, Brace, FRT, Sup, MBE906, P8	each	1
60	PUL80076		Pulley, Idler, Backside, P8, 76d (89101)	each	2
70	KBM62600		Bag Kit, Fasteners, KMM62600/KMM61901	each	1

# Bill of Materials Listing

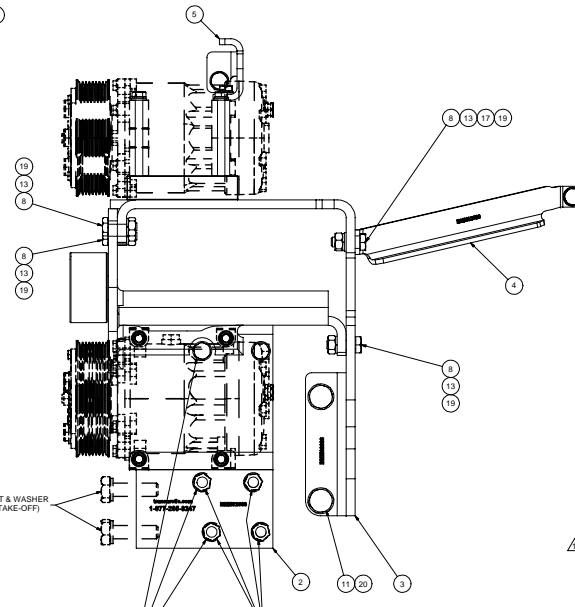
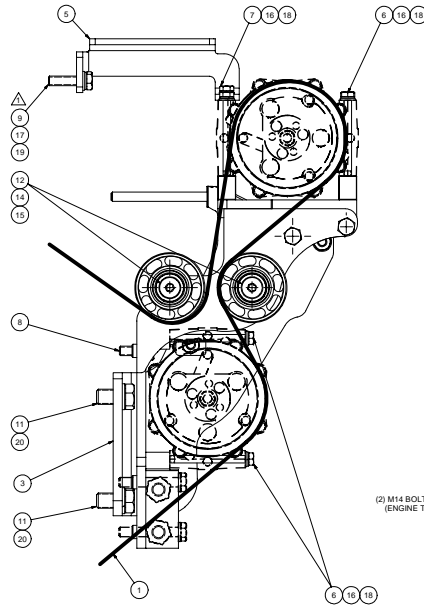
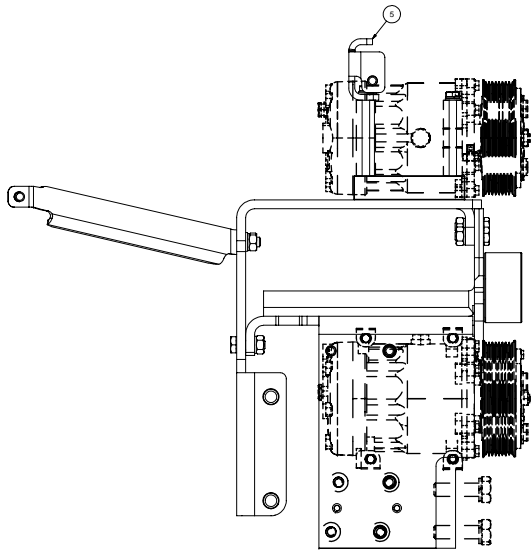
TransArctic Canada Inc.

6/4/2014  
Page 1 of 1

Product Number	Description	Date	Weight	Uof M	Yield
Line    Component    Prod#	Description	Bin                    Unit	Qty		
<b>KBM62600</b>	<b>Bag Kit, Fasteners, KMM62600/KMM61901</b>		<b>07/17/04</b>	<b>2.04</b>	<b>0</b>
10	BTS10001	Bolt, Shoulder, 10mm (89064)	each	2	
20	BTC16031	Bolt, Hex, 16 x 1.5 x 30mm, 10.9, Plt	each	2	
30	BTC10110	Bolt, Hex, 10 x 1.5 x 110mm, 10.9, Plt	each	1	
40	BTC10040	Bolt, Hex, 10 x 1.5 x 40mm, 10.9, Plt,FT	each	1	
50	BTC10030	Bolt, Hex, 10 x 1.5 x 30mm, 10.9, Plt	each	6	
60	BTC08110	Bolt, Hex, 8 x 1.25 x 110mm, 10.9, Plt	each	1	
70	BTC08100	Bolt, Hex, 8 x 1.25 x 100mm, 10.9, Plt	each	7	
80	NTA10000	Nut, Hex, 10 x 1.5, 8.8, Plt	each	4	
90	WDS17001	Washer, Dust Cover (89060)	each	2	
100	WFA10000	Washer, Flat, 10mm, 8.8, Plt	each	5	
110	WFA08000	Washer, Flat, 8mm, 8.8, Plt	each	8	
120	WLA16000	Washer, Lock, 16mm, 8.8, Plt	each	2	
130	WLA10000	Washer, Lock, 10mm, 8.8, Plt	each	6	
140	WLA08000	Washer, Lock, 8mm, 8.8, Plt	each	8	



ISOMETRIC VIEW



(2) M14 BOLT & WASHER (ENGINE TAKE-OFF)

(3) SPRING PINS TRANSFERRED FROM EXISTING ENGINE MOUNT CASTING. (PRIOR TO INSTALLING ITEM# 2.)

(4) M10 BOLT & WASHER (ENGINE TAKE-OFF)

NOTES:

- 1) TOTAL WT.- 44.10 LBS.
- 2) ITEMS THAT ARE ENGINE TAKE-OFF PART.
- 3) EXISTING (3) SPRING PINS FROM EXISTING ENGINE MOUNT CASTING ARE TO BE TRANSFERRED TO ITEM# 2.

ITEM	QTY	UOM	PART NUMBER	DESCRIPTION
20	2	EACH	WL116000	WASHER, LOCK, 16mm, 8.8, PLT
19	6	EACH	WL110000	WASHER, LOCK, 10mm, 8.8, PLT
18	8	EACH	WL408000	WASHER, LOCK, 8mm, 8.8, PLT
17	5	EACH	WFA10000	WASHER, FLAT, 10mm, 8.8, PLT
16	5	EACH	WFA08000	WASHER, FLAT, 8mm, 8.8, PLT
15	2	EACH	WDS17001	WASHER, DUST COVER (PUL/8076)
14	2	EACH	PLJ.80076	PULLEY, IDLER, BACKSIDE, P8, 765, 35W
13	4	EACH	NTA10000	NUT, HEX, 10 x 1.5, 8.8, PLT
12	2	EACH	BTS10001	BOLT, SHOULDER, 10mm (IDLER PULLEY)
11	2	EACH	BTC16031	BOLT, HEX, 16 x 1.5 x 30mm, 10.9, PLT
10	1	EACH	BTC10110	BOLT, HEX, 10 x 1.5 x 110mm, 10.9, PLT
9	1	EACH	BTC10040	BOLT, HEX, 10 x 1.5 x 40mm, 10.9, PLT
8	6	EACH	BTC10030	BOLT, HEX, 10 x 1.5 x 30mm, 10.9, PLT
7	1	EACH	BTC08110	BOLT, HEX, 8 x 1.25 x 110mm, 10.9, PLT
6	7	EACH	BTC08100	BOLT, HEX, 8 x 1.25 x 100mm, 10.9, PLT
5	1	EACH	BMM26009	BKT, BRACE, FRNT, SUP, MBE906, P8
4	1	EACH	BMM26208	BKT, BRACE, DIAG, RR, SUP, MBE906, P8
3	1	EACH	BMM26206	BKT, REAR, WIDMNT, BLOCKS, MBE906, P8
2	1	EACH	BMM26200	BKT, FRONT, ASSY, BLOCK, SPINS
1	1	EACH	BEL62900	BELT, Bgr, 2650mm (102")

BILL OF MATERIALS			
ITEM	QTY	UOM	DESCRIPTION
20	2	EACH	WL116000
19	6	EACH	WL110000
18	8	EACH	WL408000
17	5	EACH	WFA10000
16	5	EACH	WFA08000
15	2	EACH	WDS17001
14	2	EACH	PLJ.80076
13	4	EACH	NTA10000
12	2	EACH	BTS10001
11	2	EACH	BTC16031
10	1	EACH	BTC10110
9	1	EACH	BTC10040
8	6	EACH	BTC10030
7	1	EACH	BTC08110
6	7	EACH	BTC08100
5	1	EACH	BMM26009
4	1	EACH	BMM26208
3	1	EACH	BMM26206
2	1	EACH	BMM26200
1	1	EACH	BEL62900

REV	DATE	DESCRIPTION	BY
1	3/2/2005	WORKVIEW	James Stewart
2	3/2/2005	REWORK	James Stewart
3	3/2/2005	DATE MASON	DATE MASON

TRANSARCTIC INC.			
ITEM	QTY	UOM	DESCRIPTION
Mt Kit, 6.4L MBE906, FS65, 2 SD7H15, P8			
1			

REV	DATE	DESCRIPTION	BY
1	3/2/2005	WORKVIEW	James Stewart
2	3/2/2005	REWORK	James Stewart
3	3/2/2005	DATE MASON	DATE MASON

REV	DATE	DESCRIPTION	BY
1	3/2/2005	WORKVIEW	James Stewart
2	3/2/2005	REWORK	James Stewart
3	3/2/2005	DATE MASON	DATE MASON

REV	DATE	DESCRIPTION	BY
1	3/2/2005	WORKVIEW	James Stewart
2	3/2/2005	REWORK	James Stewart
3	3/2/2005	DATE MASON	DATE MASON

REV	DATE	DESCRIPTION	BY
1	3/2/2005	WORKVIEW	James Stewart
2	3/2/2005	REWORK	James Stewart
3	3/2/2005	DATE MASON	DATE MASON

REV	DATE	DESCRIPTION	BY
1	3/2/2005	WORKVIEW	James Stewart
2	3/2/2005	REWORK	James Stewart
3	3/2/2005	DATE MASON	DATE MASON

REV	DATE	DESCRIPTION	BY
1	3/2/2005	WORKVIEW	James Stewart
2	3/2/2005	REWORK	James Stewart
3	3/2/2005	DATE MASON	DATE MASON

REV	DATE	DESCRIPTION	BY
1	3/2/2005	WORKVIEW	James Stewart
2	3/2/2005	REWORK	James Stewart
3	3/2/2005	DATE MASON	DATE MASON

REV	DATE	DESCRIPTION	BY
1	3/2/2005	WORKVIEW	James Stewart
2	3/2/2005	REWORK	James Stewart
3	3/2/2005	DATE MASON	DATE MASON

REV	DATE	DESCRIPTION	BY
1	3/2/2005	WORKVIEW	James Stewart
2	3/2/2005	REWORK	James Stewart
3	3/2/2005	DATE MASON	DATE MASON

REV	DATE	DESCRIPTION	BY
1	3/2/2005	WORKVIEW	James Stewart
2	3/2/2005	REWORK	James Stewart
3	3/2/2005	DATE MASON	DATE MASON

REV	DATE	DESCRIPTION	BY
1	3/2/2005	WORKVIEW	James Stewart
2	3/2/2005	REWORK	James Stewart
3	3/2/2005	DATE MASON	DATE MASON

REV	DATE	DESCRIPTION	BY
1	3/2/2005	WORKVIEW	James Stewart
2	3/2/2005	REWORK	James Stewart
3	3/2/2005	DATE MASON	DATE MASON

REV	DATE	DESCRIPTION	BY
1	3/2/2005	WORKVIEW	James Stewart
2	3/2/2005	REWORK	James Stewart
3	3/2/2005	DATE MASON	DATE MASON

REV	DATE	DESCRIPTION	BY
1	3/2/2005	WORKVIEW	James Stewart
2	3/2/2005	REWORK	James Stewart
3	3/2/2005	DATE MASON	DATE MASON

REV	DATE	DESCRIPTION	BY
1	3/2/2005	WORKVIEW	James Stewart
2	3/2/2005	REWORK	James Stewart
3	3/2/2005	DATE MASON	DATE MASON

REV	DATE	DESCRIPTION	BY
1	3/2/2005	WORKVIEW	James Stewart
2	3/2/2005	REWORK	James Stewart
3	3/2/2005	DATE MASON	DATE MASON

REV	DATE	DESCRIPTION	BY
1	3/2/2005	WORKVIEW	James Stewart
2	3/2/2005	REWORK	James Stewart
3	3/2/2005	DATE MASON	DATE MASON

REV	DATE	DESCRIPTION	BY
1	3/2/2005	WORKVIEW	James Stewart
2	3/2/2005	REWORK	James Stewart
3	3/2/2005	DATE MASON	DATE MASON

REV	DATE	DESCRIPTION	BY
1	3/2/2005	WORKVIEW	James Stewart
2	3/2/2005	REWORK	James Stewart
3	3/2/2005	DATE MASON	DATE MASON

REV	DATE	DESCRIPTION	BY
1	3/2/2005	WORKVIEW	James Stewart
2	3/2/2005	REWORK	James Stewart
3	3/2/2005	DATE MASON	DATE MASON

REV	DATE	DESCRIPTION	BY
1	3/2/2005	WORKVIEW	James Stewart
2	3/2/2005	REWORK	James Stewart
3	3/2/2005	DATE MASON	DATE MASON

REV	DATE	DESCRIPTION	BY
1	3/2/2005	WORKVIEW	James Stewart
2	3/2/2005	REWORK	James Stewart
3	3/2/2005	DATE MASON	DATE MASON

REV	DATE	DESCRIPTION	BY
1	3/2/2005	WORKVIEW	James Stewart
2	3/2/2005	REWORK	James Stewart
3	3/2/2005	DATE MASON	DATE MASON

REV	DATE	DESCRIPTION	BY
1	3/2/2005	WORKVIEW	James Stewart
2	3/2/2005	REWORK	James Stewart
3	3/2/2005	DATE MASON	DATE MASON

REV	DATE	DESCRIPTION	BY
1	3/2/2005	WORKVIEW	James Stewart
2	3/2/2005	REWORK	James Stewart
3	3/2/2005	DATE MASON	DATE MASON

REV	DATE	DESCRIPTION	BY
1	3/2/2005	WORKVIEW	James Stewart
2	3/2/2005	REWORK	James Stewart
3	3/2/2005	DATE MASON	DATE MASON

REV	DATE	DESCRIPTION	BY
1	3/2/2005	WORKVIEW	James Stewart
2	3/2/2005	REWORK	James Stewart
3	3/2/2005	DATE MASON	DATE MASON

REV	DATE	DESCRIPTION	BY
1	3/2/2005	WORKVIEW	James Stewart
2	3/2/2005	REWORK	James Stewart
3	3/2/2005	DATE MASON	DATE MASON

REV	DATE	DESCRIPTION	BY
1	3/2/2005	WORKVIEW	James Stewart
2	3/2/2005	REWORK	James Stewart
3	3/2/2005	DATE MASON	DATE MASON

REV	DATE	DESCRIPTION	BY
1	3/2/2005	WORKVIEW	James Stewart
2	3/2/2005	REWORK	James Stewart
3	3/2/2005	DATE MASON	DATE MASON

REV	DATE	DESCRIPTION	BY
1	3/2/2005	WORKVIEW	James Stewart
2	3/2/2005	REWORK	James Stewart
3	3/2/2005	DATE MASON	DATE MASON

REV	DATE	DESCRIPTION	BY
1	3/2/2005	WORKVIEW	James Stewart
2	3/2/2005	REWORK	James Stewart
3	3/2/2005	DATE MASON	DATE MASON

REV	DATE	DESCRIPTION	BY
1	3/2/2005	WORKVIEW	James Stewart
2	3/2/2005	REWORK	James Stewart
3	3/2/2005	DATE MASON	DATE MASON

REV	DATE	DESCRIPTION	BY
1	3/2/2005	WORKVIEW	James Stewart
2	3/2/2005	REWORK	James Stewart
3	3/2/2005	DATE MASON	DATE MASON

REV	DATE	DESCRIPTION	BY
1	3/2/2005	WORKVIEW	James Stewart
2	3/2/2005	REWORK	James Stewart
3	3/2/2005	DATE MASON	DATE MASON

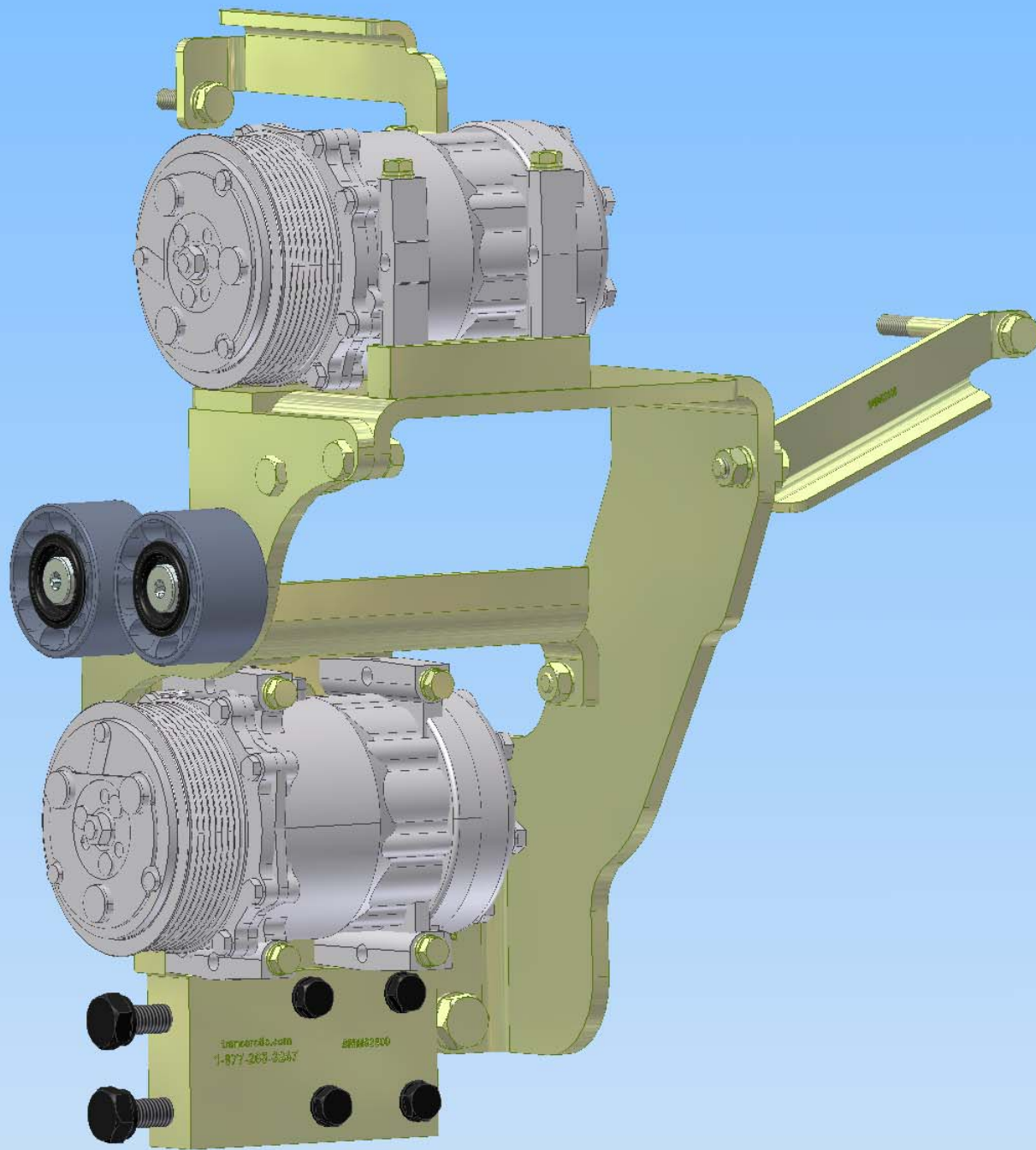
REV	DATE	DESCRIPTION	BY
1	3/2/2005	WORKVIEW	James Stewart
2	3/2/2005	REWORK	James Stewart
3	3/2/2005	DATE MASON	DATE MASON

REV	DATE	DESCRIPTION	BY
1	3/2/2005	WORKVIEW	James Stewart
2	3/2/2005	REWORK	James Stewart
3	3/2/2005	DATE MASON	DATE MASON

REV	DATE	DESCRIPTION	BY
1	3/2/2005	WORKVIEW	James Stewart
2	3/2/2005	REWORK	James Stewart
3	3/2/2005	DATE MASON	DATE MASON

REV	DATE	DESCRIPTION	BY
1	3/2/2005	WORKVIEW	James Stewart
2	3/2/2005	REWORK	James Stewart
3	3/2/2005	DATE MASON	DATE MASON

REV	DATE	DESCRIPTION	BY
1	3/2/2005	WORKVIEW	James Stewart</



## **TransArctic A/C Compressor Mount Installation Disclaimer**

All compressor mounts should be installed by qualified and trained personnel using proper tools and equipment in safe working conditions following industry standard guidelines for motor vehicle service and repair.

The installer of any compressor mount purchased from TransArctic must undertake all responsibility of issues arising from that compressor bracket being installed on any vehicle. As well as insure that a **proper and sufficient ground** is established between the compressors' clutches and the vehicle's engine. Mount functionality, operation and durability can all be compromised by an incompetent installation.

Due to the many different situations, parameters and application criteria, which are beyond the compressor mount manufacturer's control, TransArctic does not warrant design, durability, or operational functionality of any compressor mount improperly installed by another party.

**With no implied guarantees it is the mount installer's strict responsibility to determine safety and functionality, of the compressor mount, at the time of installation.**

Please contact TransArctic with any issue arising from installation so we may better improve the product. If you have any reservations about the compressor mount integrity contact TransArctic immediately at 1-877-COLD-AIR.

**Mark OEM tensioner location**

**Install Kit**

**Check for Interferences**

**Check to ensure that the proper OEM tensioner orientation is maintained**

**Run engine with A/C system engaged for at least 10 minutes to run in belt**

**Check OEM tensioner orientation and adjust as required**

### **Responsabilidad limitada de TransArctic en la instalación del soporte del compresor**

Todos los soportes de los compresores deben ser instalados por personas calificadas y entrenadas, usando para ello los equipos y herramientas necesarios para esta labor en buenas condiciones y según las normas y guías para el servicio y/o reparación de motores de vehículos.

El instalador de los soportes comprados en TransArctic asume toda la responsabilidad de cualquier problema que surga en el soporte del compresor al vehículo; de igual manera es responsable que el cable a tierra sea conectado entre el embrague del compresor y el motor del vehículo.

Se advierte que el buen funcionamiento y la durabilidad del soporte pueden ser comprometidos por defectos en su instalación.

Debido a las diversas situaciones que se puedan presentar fuera del control del fabricante, TransArctic no garantiza el diseño, la durabilidad o el correcto funcionamiento de cualquier equipo inapropiadamente instalado por terceros.

**Esta sobreentendido que el Instalador del montaje del compresor es estrictamente responsable de la seguridad y funcionamiento del equipo en el momento de la instalación.**

Si tuviera algún problema o duda acerca de la instalación del soporte del compresor pongase en contacto inmediatamente con TransArctic al teléfono 1-877-COLD-AIR de modo que podamos mejorar nuestro producto.

**Note la ubicación del medidor de tensión OEM**

**Instale el equipo**

**Controlar si hay interferencias.**

**Asegure que el medidor de tensión mantenga la orientación justa.**

**Encienda el motor por lo menos 10 minutos con el sistema A/C enganchado para que la correa corra**

**Controle la orientación justa del medidor de tensión y ajuste a las condiciones requeridas del fabricante**