

Bill of Materials Listing

TransArctic Canada Inc.

10/27/2020
Page 1 of 1

Product Number	Date	Description		Uof M	Weight	Yield		
Line	Qty	Component	Prod#	Rev#	Description	Bin	Unit	
KMC94167	6/26/2013	0	Mt Kit, ISL-G, T3RE, 05G, '20				333.50	0
20	1	BEL32311			Belt, Banded B gr,2311mm (91")		each	
30	1	BMC67096			0 Bkt, Diag Brace, DS, Frame Rail, T3RE		each	
40	1	BMC83054			5 Bkt, Main, Idler, Weldm't, RE300		each	
50	1	BMC83113			0 Bkt, Brace RR/PS, PDU Panel, T3RE, '13		each	
60	1	BMC83116			0 Bkt, Support, PDU Panel, T3RE, '13		each	
70	1	BMC83107			1 Bkt, Main, FRT Support, T3RE, '13		each	
80	1	BMC90009			0 Bkt, Main, RR Support, CNG,T3RE, '13		each	
90	1	BMC83109			0 Bkt, Main, Lateral Brace, T3RE, '13		each	
140	1	BMZ00046			0 Bkt, Angle, Brace, Hanger, Hose, 2013		each	
170	1	KCB84164			2 Kit, Compressor, 24V,O5G, '13		each	
190	1	PUA05012			0 Pulley, Assy, Idler,B/BX gr,5", STL,Plt		each	
210	1	PUL80074			Pulley, Idler, B/S, Wide, 74d (89102)		each	
220	1	PUL89322			1 Pulley, Crank,ADD-ON,Combo,ISC/L-G,2B/3V		each	
230	1	SCD37012			0 Spacer, Col, Drl, 37 mm x 25.4o x 12.3i		each	
240	1	SCD41012			0 Spacer, Col, Drl, 41 mm x 25.4o x 12.3i		each	
250	2	SLV17012			0 Sleeve, Pulley, 16.9o x 22.23mm x 12.32i		each	
270	1	KBC94167			Bag Kit, Fasteners, KMC94167		each	

Bill of Materials Listing

TransArctic Canada Inc.

10/27/2020

Page 1 of 1

Product Number	Date	Description	Uof M	Weight	Yield	
Line	Qty	Component Prod#	Rev#	Bin	Unit	
KBC94167	7/9/2013	Bag Kit, Fasteners, KMC94167				3.06
10	2	BTC10025			each	
20	5	BTC10040			each	
40	5	BTC12040			each	
50	2	BTC12050			each	
60	2	BTC12100			each	
70	6	BTQ08126			each	
80	1	NTA10000			each	
90	9	NTA12000			each	
170	6	WFA10000			each	
180	16	WFA12000			each	
190	6	WFQ08000			each	
210	5	WLA10000			each	
220	9	WLA12000			each	
230	6	WLQ08000			each	

Bill of Materials Listing

TransArctic Canada Inc.

10/27/2020

Page 1 of 1

Product Number	Date	Description	Uof M	Weight	Yield		
Line	Qty	Component Prod#	Rev#	Bin	Unit		
KCB84164	8/2/2013	2 Kit, Compressor, 24V,O5G, '13				156.28	0
10	2	BEL11143			each		
30	2	BMN80008			each		
40	1	BMZ00043			each		
50	1	BMN80025			each		
60	2	BMT10011			each		
70	1	KBT84164			each		
80	1	PUL03321			each		
90	1	TRD08120			each		
100	1	KBZ84164			each		

Bill of Materials Listing

TransArctic Canada Inc.

10/27/2020
Page 1 of 1

Product Number	Date	Description			Uof M	Weight	Yield		
Line	Qty	Component	Prod#	Rev#	Description	Bin	Unit		
KBZ84164		10/18/2013		0	Bag Kit, Fasteners, KCB84164			2.16	0
10	1	BTP08653			Bolt, Hex, 1/2-13unc, 6.5", 5, Plt, FT		each		
20	3	BTQ08101			Bolt, Hex, 1/2-20unf, 1.00", 8, Plt		each		
30	2	BTQ08126			Bolt, Hex, 1/2-20unf, 1.25", 8, Plt		each		
35	1	BTQ08150			Bolt, Hex, 1/2-13unc, 1.5", 8, Plt		each		
40	1	BTQ08200			Bolt, Hex, 1/2-13unc, 2.0", 8, Plt		each		
50	1	BTQ08653			Bolt, Hex, 1/2-13unc, 6.5", 8, Plt		each		
60	1	CSF08076			Capscrew, FH, 1/2-20unf x .75",Alloy,Plt		each		
70	6	NTQ08000			Nut, Hex, 1/2-13unc, 8, Plt		each		
80	8	WFQ08000			Washer, Flat, 1/2", 8, Plt		each		
90	11	WLQ08000			Washer, Lock, 1/2", 8, Plt		each		

Bill of Materials Listing

TransArctic Canada Inc.

10/27/2020

Page 1 of 1

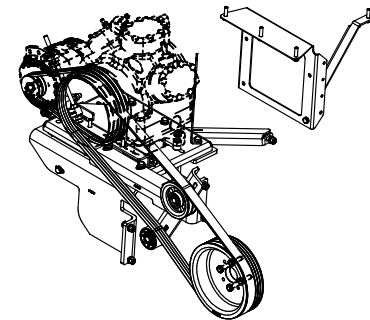
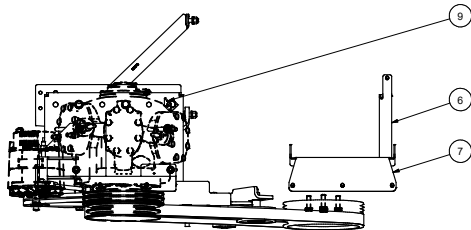
Product Number	Date	Description		Uof M	Weight	Yield		
Line	Qty	Component Prod#	Rev#	Description	Bin	Unit		
KBT84164	8/2/2013	1	1	Kit, Platform, O5G W/ Alt, '13			31.68	0
10	1	BMC83111	1	Bkt, Weldm't, Alt Extension, T3RE, '13		each		
20	1	BMN80010	0	Bkt, Main, Slide, Assy, O5G, IC, RE300		each		
50	1	SCD29213	0	Spacer, Col, Drl, 29.21mm x 25.4o x 12.7i		each		
60	1	KBZ94164	0	Bag Kit, Fasteners, KBT84164		each		

Bill of Materials Listing

TransArctic Canada Inc.

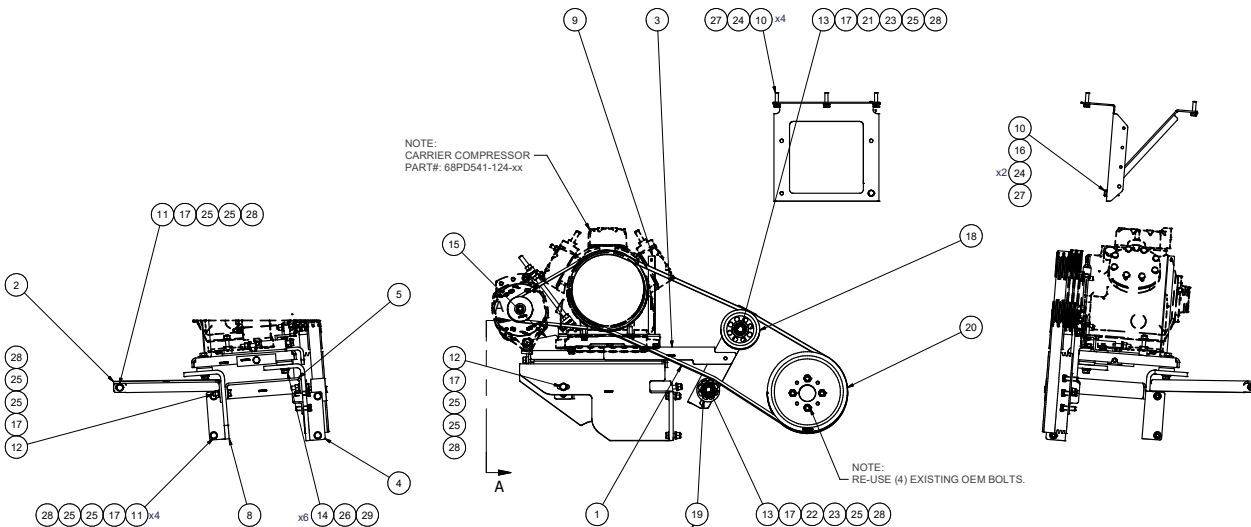
10/27/2020
Page 1 of 1

Product Number	Date	Description		Uof M	Weight	Yield		
Line	Qty	Component	Prod#	Rev#	Description	Bin	Unit	
KBZ94164	1/21/2015	0	Bag Kit, Fasteners, KBT84164				0.38	0
10	2	BTQ06150			Bolt, Hex, 3/8-16unc, 1.50", 8, Plt		each	
15	4	NTP07000			Nut, Hex, 7/16-14unc, 5, Plt		each	
20	2	WFN06000			Washer, Flat, 3/8", 2, Plt		each	
30	4	WFN07000			Washer, Flat, 7/16", 2, Plt		each	
40	2	WLQ06000			Washer, Lock, 3/8", 8, Plt		each	
50	4	WLQ07000			Washer, Lock, 7/16", 8, Plt		each	



ISOMETRIC VIEW

NOTE:
CARRIER COMPRESSOR
PART#: 68PD541-124-xx



NOTE:
RE-USE (4) EXISTING OEM BOLTS.

NOTE:
INSTALL PULLEY WITH
DEEP OFFSET TOWARD SPACER.

NOTES:

- 1) USE SERVICABLE THREADLOCKER ON ALL FASTENERS TO ENGINE COMPONENTS AND TORQUE **ALL BOLTS** TO S.A.E. SPECIFICATIONS.
- 2) SEE "TRANSARCTIC A/C COMPRESSOR MOUNT INSTALLATION DISCLAIMER".

ITEM	QTY	U/M	PART NUMBER	DESCRIPTION
29	6	EACH	WLQ08000	WASHER, LOCK, 1/2", 8, PLT
28	9	EACH	WL12000	WASHER, LOCK, 12mm, 8.8, PLT
27	5	EACH	WL110000	WASHER, LOCK, 10mm, 8.8, PLT
26	6	EACH	WFO08000	WASHER, FLAT, 1/2", 8, PLT
25	16	EACH	WFA12000	WASHER, FLAT, 12mm, 8.8, PLT
24	6	EACH	WFA10000	WASHER, FLAT, 10mm, 8.8, PLT
23	2	EACH	SLV17012	SLEEVE, PULLEY, 16.9o x 22.23 mm x12.19i
22	1	EACH	SCD41012	SPACER, COL, DRL,41mm x 25.4o x 12.3i
21	1	EACH	SCD37012	SPACER, COL, DRL,37mm x 25.4o x 12.3i
20	1	EACH	PUL89322	PULLEY, CRANK, ADD-ON, COMBO, ISC/L-G, 28/3V
19	1	EACH	PUL80074	PULLEY, IDLER, BACKSIDE, P8, 74D, 46.27W
18	1	EACH	PJA05012	PULLEY, ASSY, IDLER, B/BX gr, 5" STL, PLT
17	9	EACH	NTA12000	NUT, HEX, 12 x 1.75, 8.8, PLT
16	1	EACH	NTA10000	NUT, HEX, 10 x 1.5, 8.8, PLT
15	1	EACH	KCB84164	KIT, COMPRESSOR, 24V, OSG, '13
14	6	EACH	BTQ08126	BOLT, HEX, 1/2-20UNF x 1.25, 8, PLT
13	2	EACH	BTC12100	BOLT, HEX, 12 x 1.75 x 100mm, 10.9, PLT
12	2	EACH	BTC12050	BOLT, HEX, 12 x 1.75 x 50mm, 10.9, PLT
11	5	EACH	BTC12040	BOLT, HEX, 12 x 1.75 x 40mm, 10.9, PLT
10	5	EACH	BTC10040	BOLT, HEX, 10 x 1.5 x 40mm, 10.9, PLT
9	1	EACH	BMZ00046	BKT, ANGLE, BRACE, HANGER, HORSE, 2013
8	1	EACH	BMC90009	BKT, MAIN, RR SUPPORT, CNG, T3RE, '13
7	1	EACH	BMC83116	BKT, SUPPORT, PDU PANEL, T3RE, '13
6	1	EACH	BMC83113	BKT, BRACE RR/PS, PDU PANEL, T3RE, '13
5	1	EACH	BMC83109	BKT, MAIN, LATERAL BRACE, T3RE, '13
4	1	EACH	BMC83107	BKT, MAIN, FRT SUPPORT, T3RE, '13
3	1	EACH	BMC83054	BKT, MAIN, IDLER, WELDMT, RE300
2	1	EACH	BMC67096	BKT, DIAG BRACE, DS, FRAME RAIL, T3RE
1	1	EACH	BEL32311	BELT, BANDED, B GR, 2311mm (91") (BX88-2)

TRANSARCTIC INC.

MT KIT, ISL-G, T3RE, O5G, '20

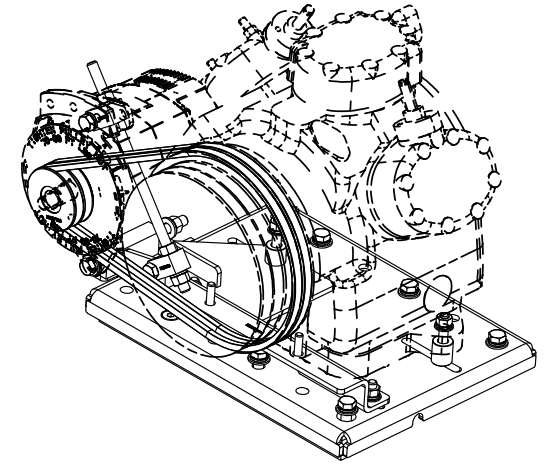
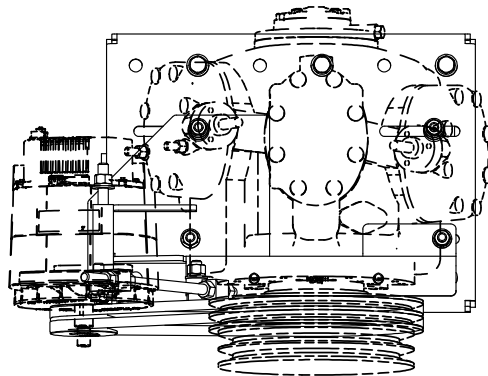
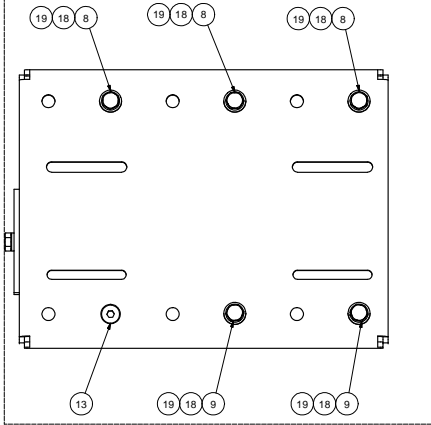
DRAWN: vjakowlew 10/27/2020
 CHECKED: Jose Rodriguez 10/27/2020
 BY: James Stewart 10/27/2020
 APPROVED: Dale Mason 10/27/2020

UNSPECIFIED TOLERANCES: ALL DIMS IN INCHES
 ONE DECIMAL PLACE (X1) .10 FRACTIONAL, .125"
 TWO DECIMAL PLACE (X2) .05 FRACTIONAL, .0625"
 THREE DECIMAL PLACE (X3) .01 FRACTIONAL, .0156"
 FRACTIONAL, 1/16" MINIMUM = .0156"

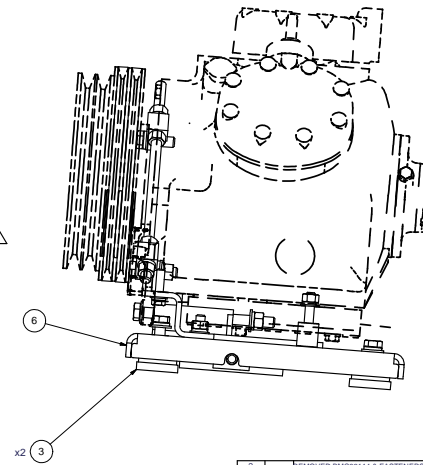
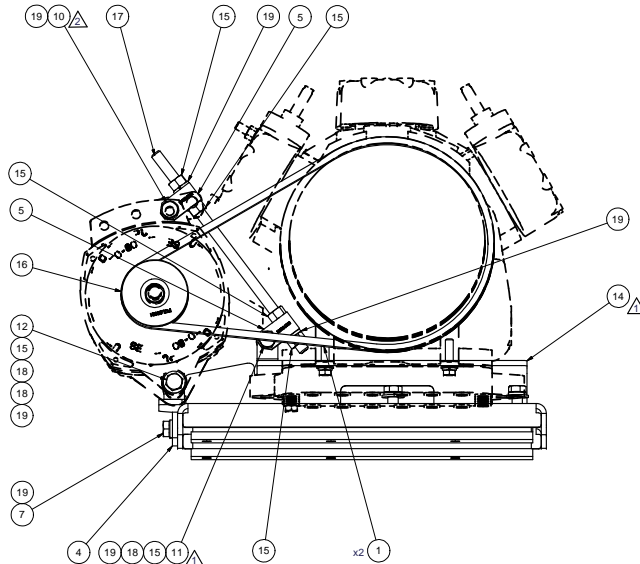
DWG NO: KMC94167
 SCALE: 1:8
 SHEET 1 OF 1

TOP VIEW

PARTS REMOVED FOR CLARITY.



ISOMETRIC VIEW



NOTES:

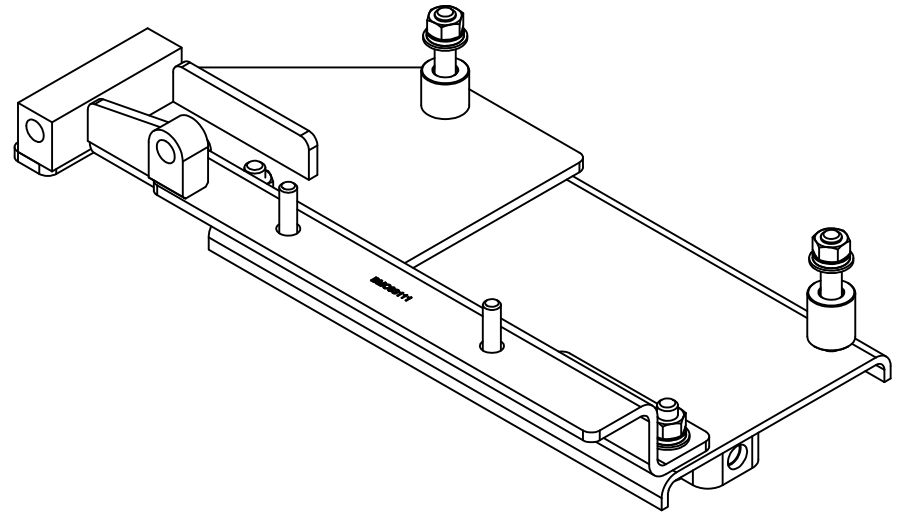
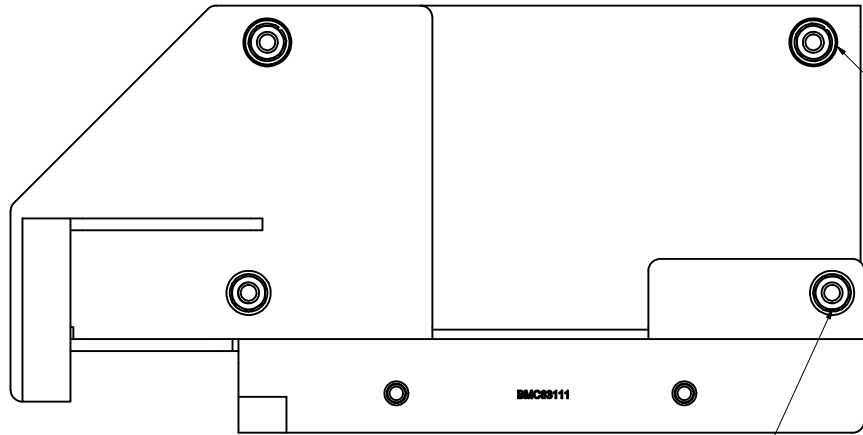
- 1) USE SERVICABLE THREADLOCKER ON ALL FASTENERS TO ENGINE COMPONENTS AND TORQUE **ALL** BOLTS TO S.A.E. SPECIFICATIONS.
- 2) SEE "TRANSARCTIC A/C COMPRESSOR MOUNT INSTALLATION DISCLAIMER".
- 3) WEIGHT: 49.38 LBS.

19	11	EACH	WLO08000	WASHER, LOCK, 1/2", 8, PLT
18	8	EACH	WFO08000	WASHER, FLAT, 1/2", 8, PLT
17	1	EACH	TRD08120	THREADED, ROD, 1/2-13UNC x 12", 5 PLT
16	1	EACH	PUL03321	PULLEY, ALT, IDLER, 3.25"o, 2A
15	6	EACH	NT008000	NUT, HEX, 1/2-13UNC, 8, PLT
14	1	EACH	KBT84164	KIT, PLATFORM, OS6 W/ ALT, '13
13	1	EACH	CSF08076	CAPSCREW, FH, 1/2-20UNF x .75", ALLOY, PLT
12	1	EACH	BT008653	BOLT, HEX, 1/2-13UNC x 6.50, 8, PLT
11	1	EACH	BT008200	BOLT, HEX, 1/2-13UNC x 2.00, 8, PLT
10	1	EACH	BT008150	BOLT, HEX, 1/2-13UNC x 1.50, 8, PLT
9	2	EACH	BT008126	BOLT, HEX, 1/2-20UNF x 1.25, 8, PLT
8	3	EACH	BT008101	BOLT, HEX, 1/2-20UNF x 1.00, 8, PLT
7	1	EACH	BTP08653	BOLT, HEX, 1/2-13UNC x 6.50, 5, PLT, FT
6	1	EACH	BMZ00043	BKT, MAIN, BASE PL, '13
5	2	EACH	BMT10011	BKT, TENR, BLOCK, OFFSET, 3mm
4	1	EACH	BMN00025	BKT, BACK, PL, SLIDE, IC, RE300
3	2	EACH	BMN00008	VIBRATION ISOLATOR, BAR, 16.50 x 2 x 1.50
1	2	EACH	BELT1145	BELT, A GR, T138mm (44.8")

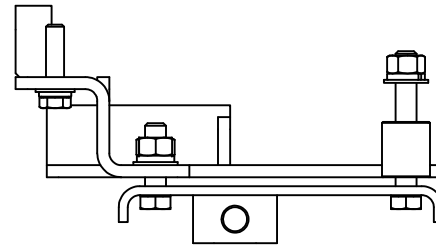
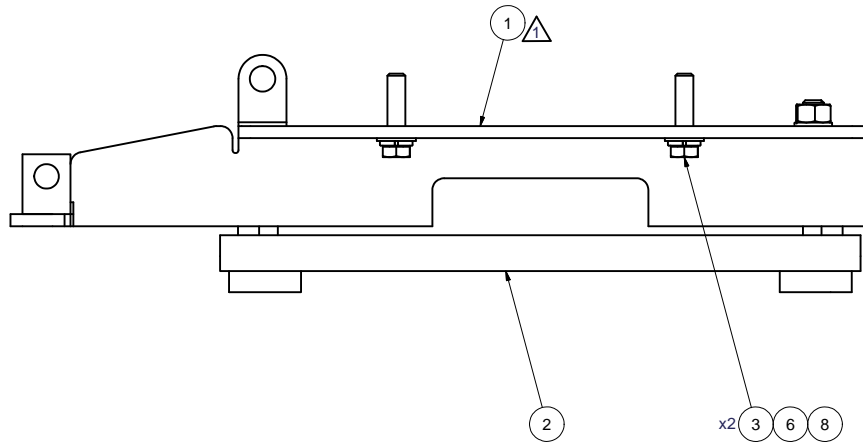
BILL OF MATERIALS

DRAWN	jrodriquez	9/24/2013		
CHECKED	Vaj_Jakowlew	9/24/2013		
RELEASED TO PRODUCTION	GA	9/24/2013		
REV/ECN	DESCRIPTION	DATE		BY
			James Stewart	9/24/2013
			Ron Ingram	9/24/2013
			Dale Mason	9/24/2013
<p>THIS DRAWING CONTAINS PROPRIETARY CONFIDENTIAL INFORMATION OWNED BY TRANSARCTIC CANADA INC. THE DOCUMENT AND THE INFORMATION IN IT ARE NOT TO BE USED, DISCLOSED OR REPRODUCED WITHOUT EXPRESS WRITTEN PERMISSION OF THE COMPANY.</p>				
<p>UNSPECIFIED TOLERANCES: ALL DIM. .0005 ONE DECIMAL PLACE (.X) .001 TWO DECIMAL PLACE (.XX) .0005 THREE DECIMAL PLACE (.XXX) .0002 FRACTIONAL (1/16") .001</p>				
<p>THIRD ANGLE PROJECTION</p>				
DRAWING UNIT OF MEASURE: MM (INCH)		SIZE: D	DWG NO: KCB84164	
SCALE: 1:4		SHEET: 1	OF: 1	

REV 2



ISOMETRIC VIEW



ITEM	QTY	U/M	PART NUMBER	DESCRIPTION
9	4	EACH	WLQ07000	WASHER, LOCK, 7/16", 8, PLT
8	2	EACH	WLQ06000	WASHER, LOCK, 3/8", 8, PLT
7	4	EACH	WFN07000	WASHER, FLAT, 7/16", 2, PLT
6	2	EACH	WFN06000	WASHER, FLAT, 3/8", 2, PLT
5	1	EACH	SCD29213	SPACER, COL, DRL, 29.21mm x 25.4o x 12.7i
4	4	EACH	NTP07000	NUT, HEX, 7/16-14UNC, 5, PLT
3	2	EACH	BTQ06150	BOLT, HEX, 3/8-16UNC, 1.50", 8, PLT
2	1	EACH	BMN80010	BKT, MAIN, SLIDE, ASSY, IC, RE300
1	1	EACH	BMC83111	BKT, WELDM'T, ALT EXTENSION, T3RE, '13

BILL OF MATERIALS

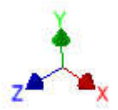
DRAWN	jrodriguez	9/25/2013
CHECKED	Val Jakowlew	9/25/2013
APPROVED	Dale Mason	9/25/2013
MFG	Ron Ingram	9/25/2013

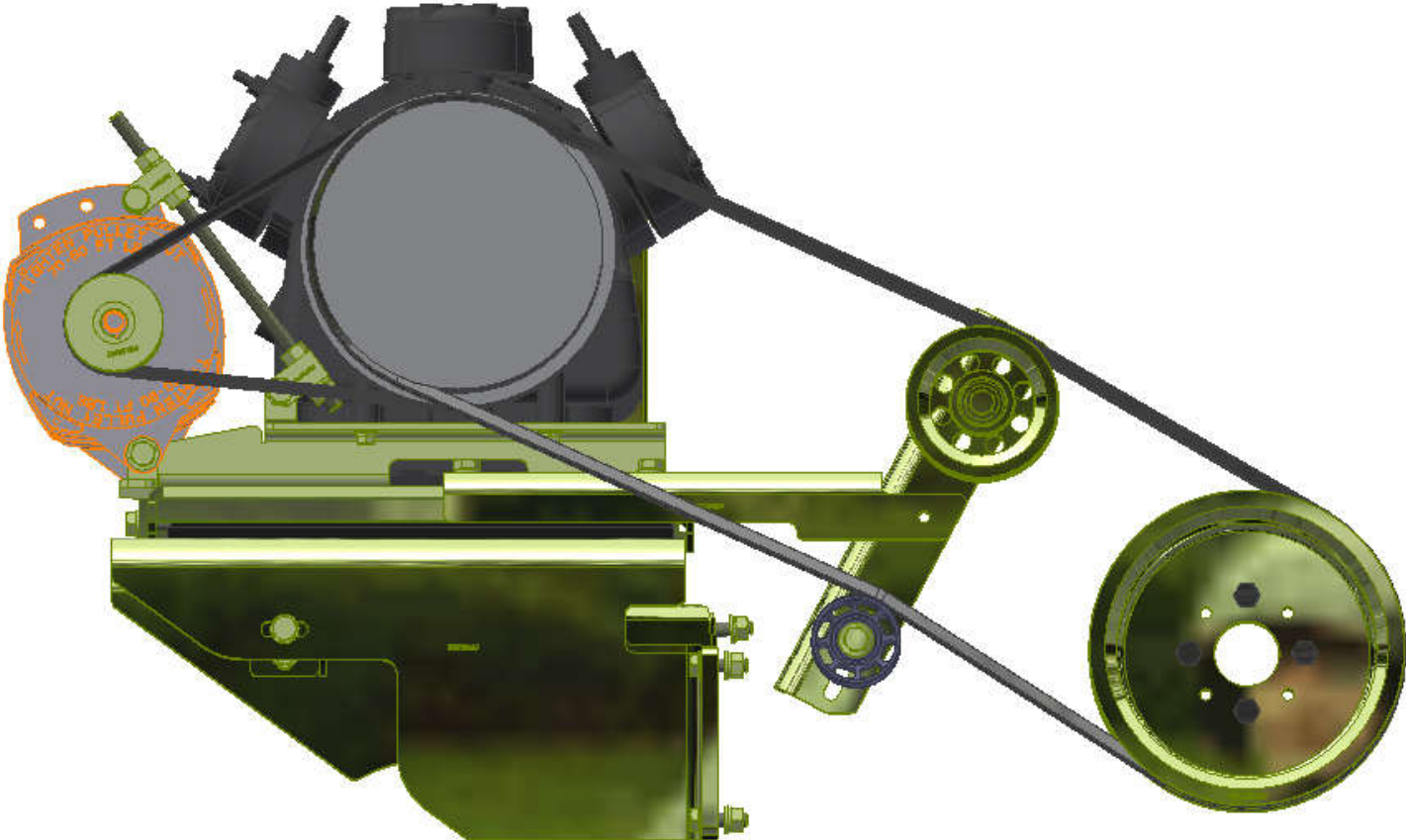
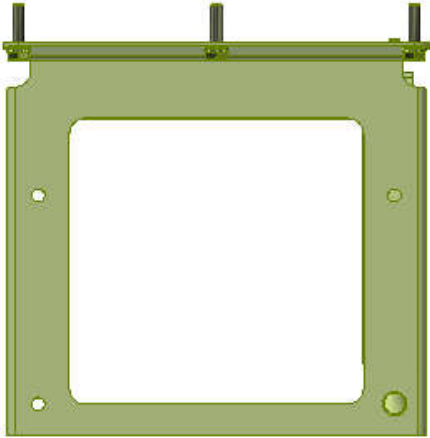


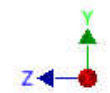
TITLE	KIT, PLATFORM, O5G W/ ALT, '13		
SIZE	C	DWG NO	KBT84164
REV	1		

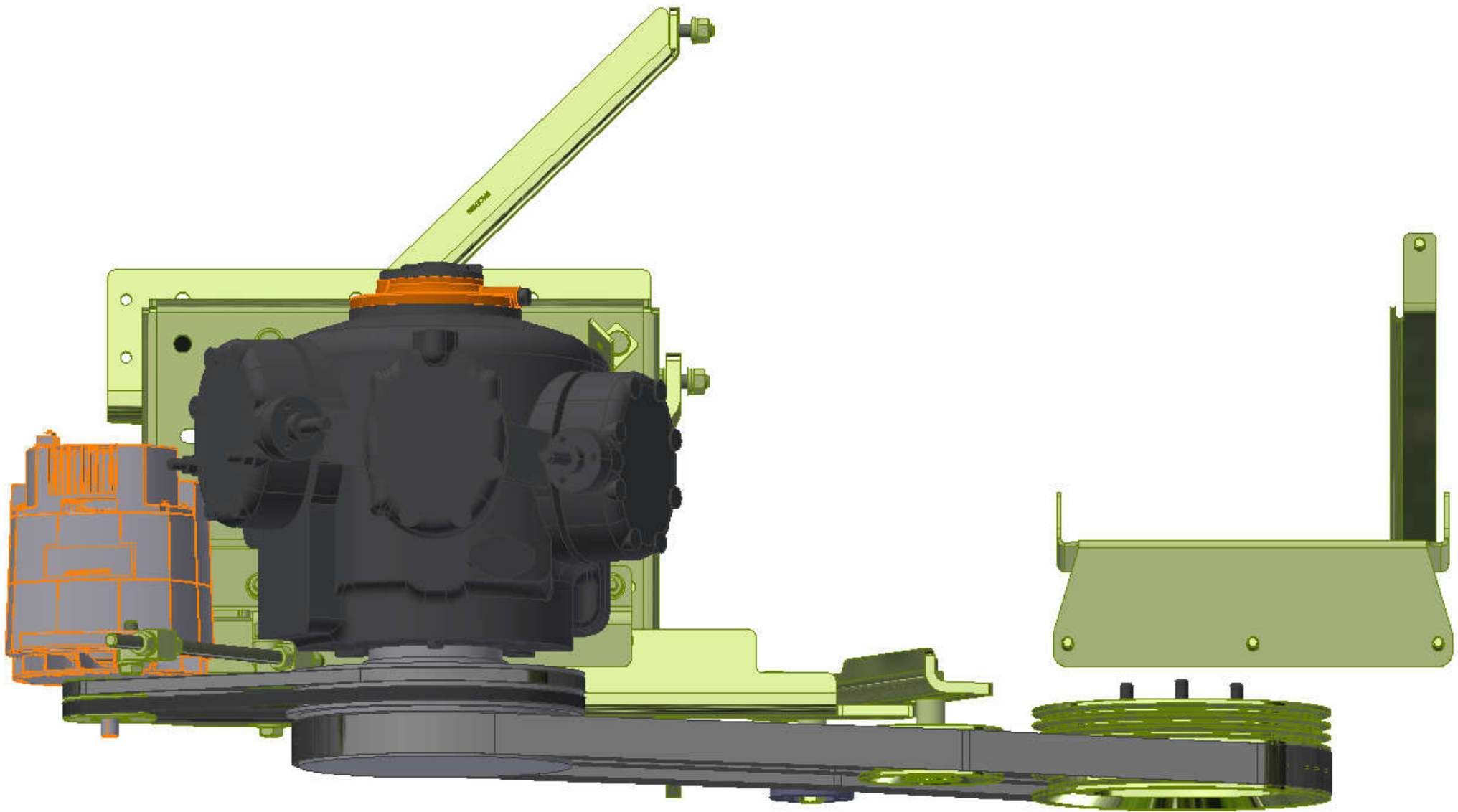
1	REVISED BMC83111.	1/19/2015	JRR
0	RELEASED TO PRODUCTION.	9/25/2013	JRR
REV/ECN:	DESCRIPTION:	DATE:	BY:
THIS DRAWING CONTAINS PROPRIETARY CONFIDENTIAL INFORMATION OWNED BY TRANSARCTIC CANADA INC. THE DOCUMENT AND THE INFORMATION IN IT ARE NOT TO BE USED, DISCLOSED OR REPRODUCED WITHOUT EXPRESS WRITTEN PERMISSION OF THE COMPANY.			
UNSPECIFIED TOLERANCES:		[ALT. DIM.]	
ONE DECIMAL PLACE (.X)	.50	[.020]	
TWO DECIMAL PLACE (.XX)	.25	[.010]	
THREE DECIMAL PLACE (.XXX)	.10	[.005]	
FRACTIONAL +/- .002"	ANGULAR +/- .50°	THIRD ANGLE PROJECTION	

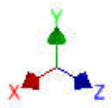
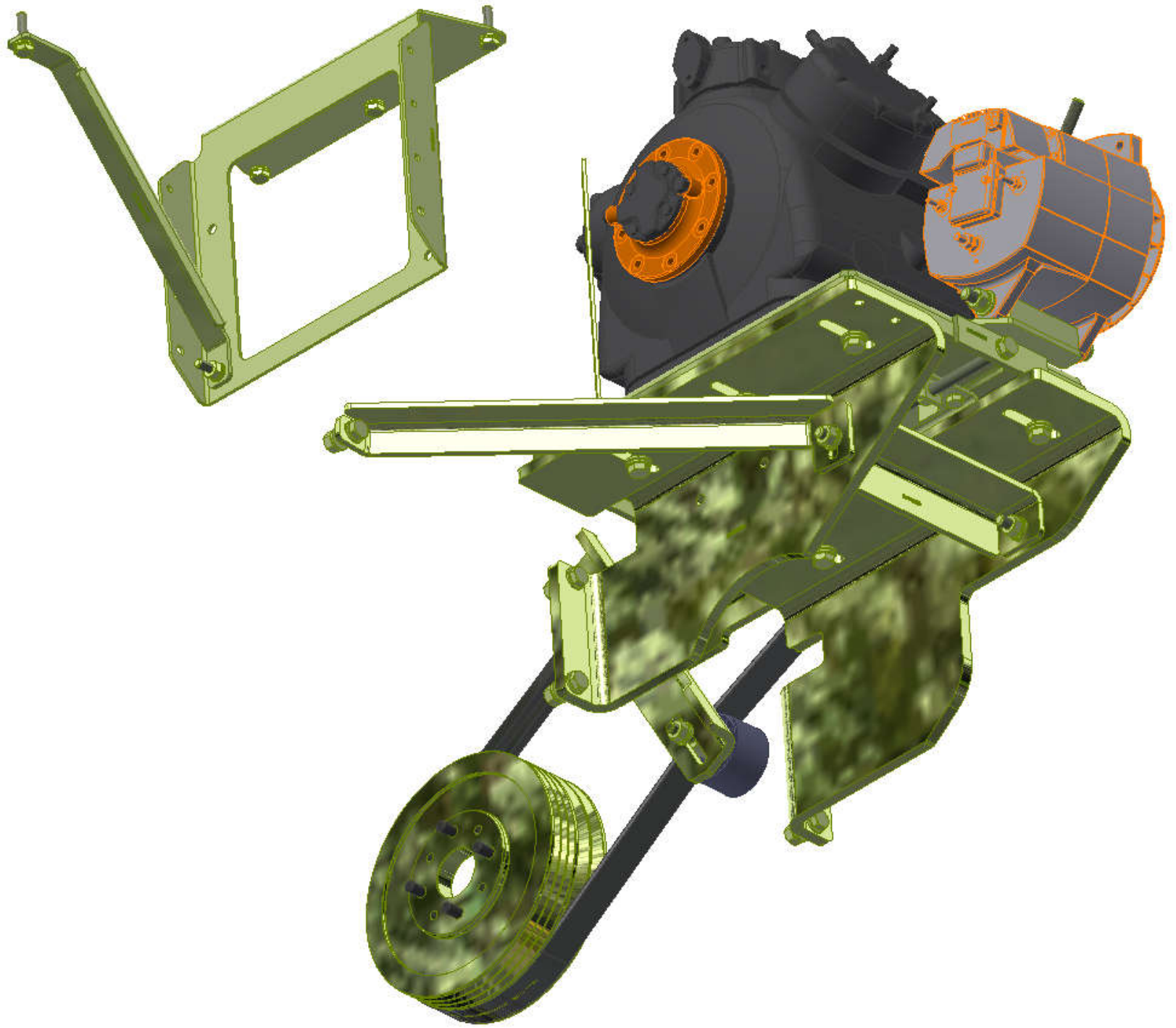
- NOTES:
- 1) USE SERVICABLE THREADLOCKER ON ALL FASTENERS TO ENGINE COMPONENTS AND TORQUE **ALL** BOLTS TO S.A.E. SPECIFICATIONS.
 - 2) SEE "TRANSARCTIC A/C COMPRESSOR MOUNT INSTALLATION DISCLAIMER".
 - 3) WEIGHT: 16.18 LBS.











TransArctic A/C Compressor Mount Installation Disclaimer

All compressor mounts should be installed by qualified and trained personnel using proper tools and equipment in safe working conditions following industry standard guidelines for motor vehicle service and repair.

The installer of any compressor mount purchased from TransArctic must undertake all responsibility of issues arising from that compressor bracket being installed on any vehicle. As well as insure that a **proper and sufficient ground** is established between the compressors' clutches and the vehicle's engine. Mount functionality, operation and durability can all be compromised by an incompetent installation.

Due to the many different situations, parameters and application criteria, which are beyond the compressor mount manufacturer's control, TransArctic does not warrant design, durability, or operational functionality of any compressor mount improperly installed by another party.

With no implied guarantees it is the mount installer's strict responsibility to determine safety and functionality, of the compressor mount, at the time of installation.

Please contact TransArctic with any issue arising from installation so we may better improve the product. If you have any reservations about the compressor mount integrity contact TransArctic immediately at 1-877-COLD-AIR.

Mark OEM tensioner location

Install Kit

Check for Interferences

Check to ensure that the proper OEM tensioner orientation is maintained

Run engine with A/C system engaged for at least 10 minutes to run in belt

Check OEM tensioner orientation and adjust as required

Responsabilidad limitada de TransArctic en la instalación del soporte del compresor

Todos los soportes de los compresores deben ser instalados por personas calificadas y entrenadas, usando para ello los equipos y herramientas necesarios para esta labor en buenas condiciones y según las normas y guías para el servicio y/o reparación de motores de vehículos.

El instalador de los soportes comprados en TransArctic asume toda la responsabilidad de cualquier problema que surga en el soporte del compresor al vehículo; de igual manera es responsable que el cable a tierra sea conectado entre el embrague del compresor y el motor del vehículo.

Se advierte que el buen funcionamiento y la durabilidad del soporte pueden ser comprometidos por defectos en su instalación.

Debido a las diversas situaciones que se puedan presentar fuera del control del fabricante, TransArctic no garantiza el diseño, la durabilidad o el correcto funcionamiento de cualquier equipo inapropiadamente instalado por terceros.

Esta sobreentendido que el Instalador del montaje del compresor es estrictamente responsable de la seguridad y funcionamiento del equipo en el momento de la instalación.

Si tuviera algún problema o duda acerca de la instalación del soporte del compresor pongase en contacto inmediatamente con TransArctic al teléfono 1-877-COLD-AIR de modo que podamos mejorar nuestro producto.

Note la ubicación del medidor de tensión OEM

Instale el equipo

Controlar si hay interferencias.

Asegure que el medidor de tensión mantenga la orientación justa.

Encienda el motor por lo menos 10 minutos con el sistema A/C enganchado para que la correa corra

Controle la orientación justa del medidor de tensión y ajuste a las condiciones requeridas del fabricante