

**BCC REPLACEMENT PARTS
for
COMPONENTS
used on
BLUE BIRD ELECTRIC APPLICATION**

T-410PL

REV. 05/2023



TABLE OF CONTENTS

ORDERING INSTRUCTIONS I

GENERAL NOTES I

COMPONENT MATRIX I

ADDITIONAL SUPPORT MANUALS II

1 BCC AIR CONDITIONING COMPONENTS 1

1.1 COMPRESSOR ASSEMBLIES 2

1.2 HIGH VOLTAGE PANEL ASSEMBLY - Y25-00216-00 3

1.2.1 HIGH VOLTAGE PANEL ASSEMBLY 4

1.3 HIGH VOLTAGE PANEL ASSEMBLY - T25-4659 6

1.3.1 HIGH VOLTAGE PANEL ASSEMBLY 7

1.4 DC/DC CONVERTER 8

1.5 LOW VOLTAGE PANEL ASSEMBLY 9

1.5 LOW VOLTAGE PANEL ASSEMBLY (CONTINUED) 10

1.5.1 LOW VOLTAGE ELECTRICAL HARNESS COMPONENTS (ECOTEMP AND FLEET TRACKER HARNESS) 11

1.5.2 SENSORS 13

1.6 LOW VOLTAGE PANEL ASSEMBLY 14

1.6 LOW VOLTAGE PANEL ASSEMBLY (CONTINUED) 15

1.6.1 LOW VOLTAGE ELECTRICAL HARNESS COMPONENTS (ECOTEMP AND FLEET TRACKER HARNESS) 16

1.7 MISCELLANEOUS COMPONENTS 17

1.7.1 MISCELLANEOUS COMPONENTS - DRIVER DISPLAY AND HARNESS 18



ORDERING INSTRUCTIONS

All orders and inquiries for parts must include: Unit Serial Number, Part no., description of part as shown on list and quantity required. Parts can be ordered by going to the following website:

www.bcc-hvac.com

GENERAL NOTES

To find replacement parts, determine major group in which replacement part is located, consult table of contents for the appropriate page for the illustrated breakdown of the replacement part. The following letter designations are used to classify parts throughout this list.

A/R *As Required*

NSA *Non-Stock Assembly* - order components listed under the assembly.

NSS *Not Sold Separately* - order next higher assembly or kit.

NSI *Non-Stock Item*

NS *Not Shown*

P *Painted*

SST *Stainless Steel* - 300 Series unless otherwise specified.

SV Suffix SV added to part number designates service replacement part.

REF Reference Only

COMPONENT MATRIX

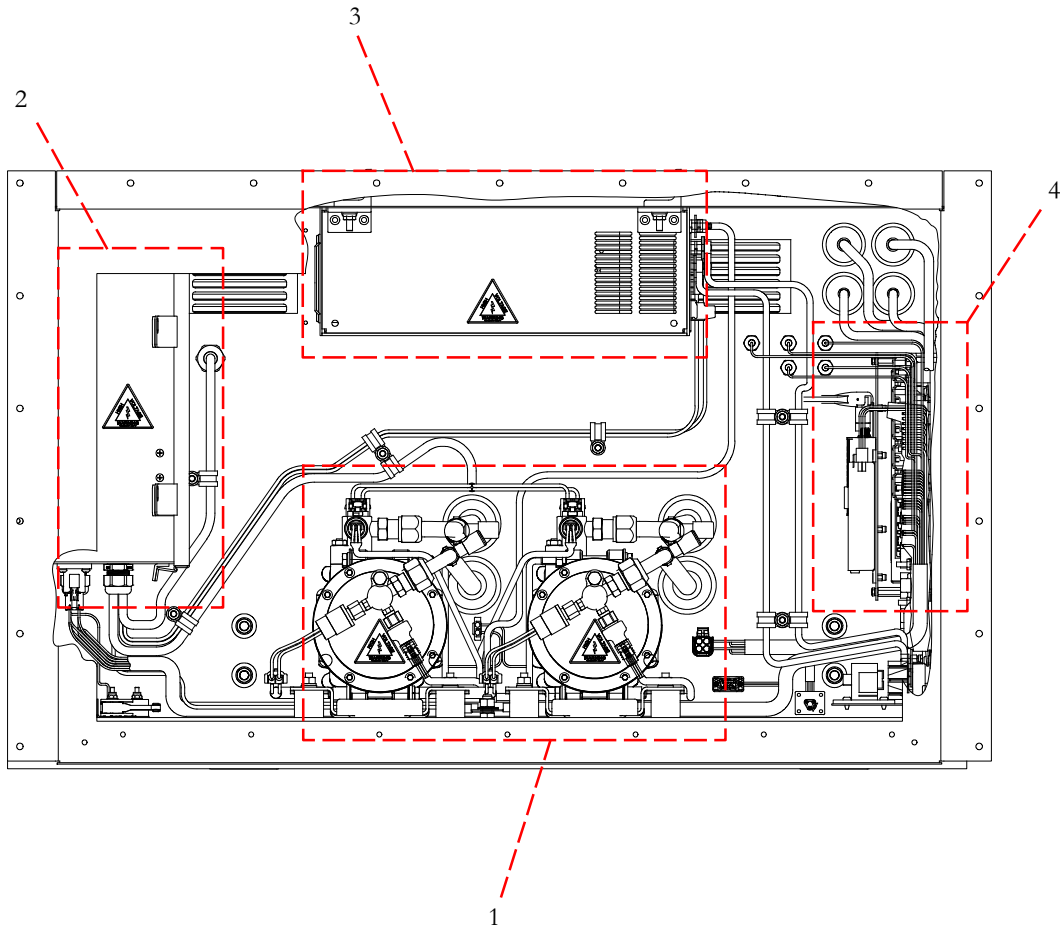
COMPONENT PART NUMBER	DESCRIPTION	SECTION
Y19-00019-00 & -01	Top Level Installation Kit	REF
-	Compressor Assemblies	1.1
Y25-00216-00	High Voltage Panel Assembly	1.2
-	High Voltage Harness Components	1.2.1
T25-4659	High Voltage Panel Assembly (Transarctic)	1.3
Y35-00080-00	DC/DC Converter	1.4
Y25-00219-00	Low Voltage Panel Assembly	1.5
-	Low Voltage Harness Components	1.5.1
T25-4658	Low Voltage Panel Assembly	1.6
-	Low Voltage Harness Components	
-	Miscellaneous Components	1.7



ADDITIONAL SUPPORT MANUALS

MANUAL NUMBER	EQUIPMENT COVERED	TYPE OF MANUAL
T-299PL	Split Systems	Parts List
T-352PL	FlexClik	Hose and Fittings

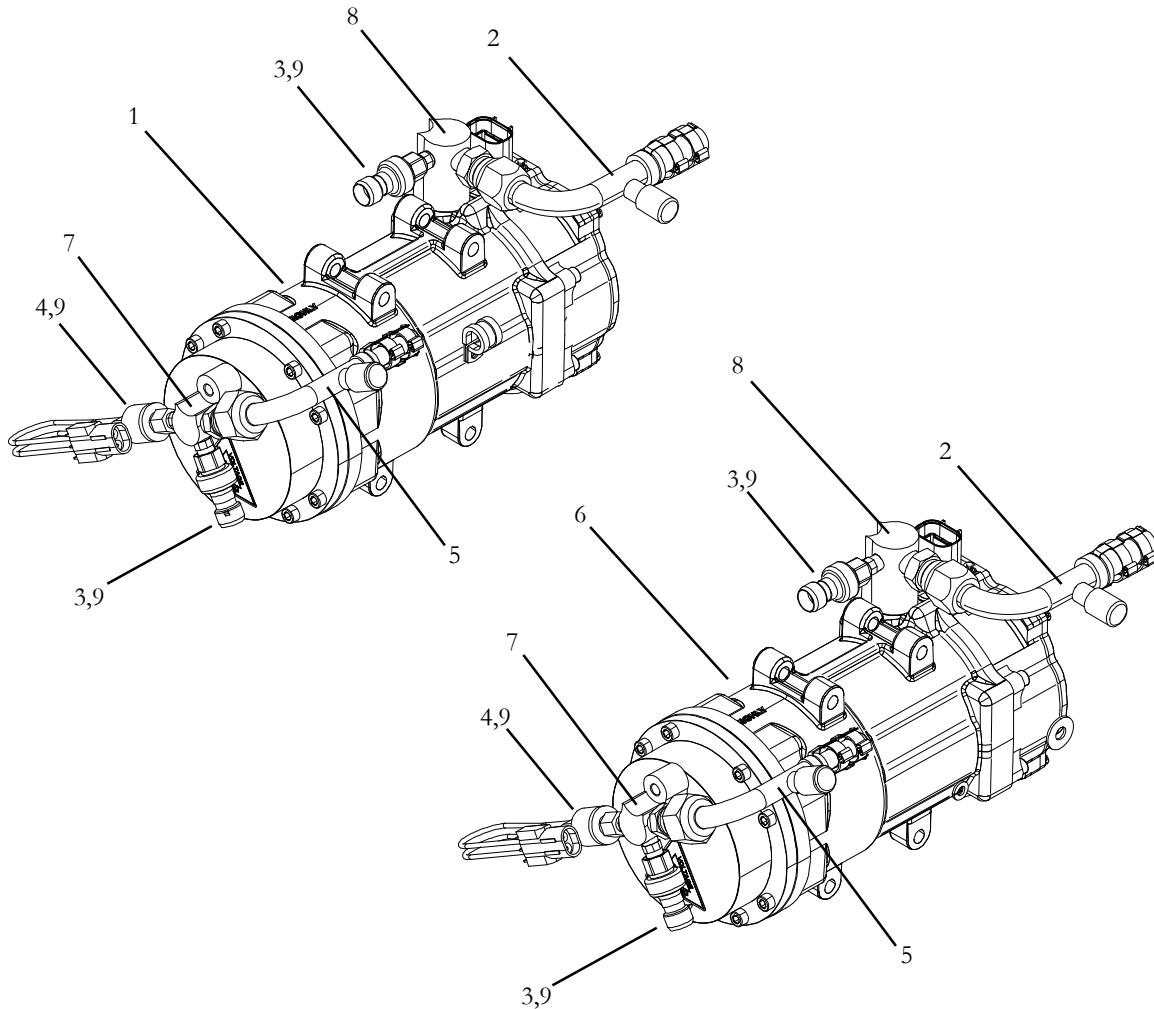
1 BCC AIR CONDITIONING COMPONENTS



Item	Part Number	Description	Qty
1	-	Compressor Assemblies (See Section 1.1)	-
2	-	High Voltage Panel Assembly (See Section 1.2)	-
3	-	DC/DC Converter (See Section 1.4)	-
4	-	Low Voltage Panel Assembly (See Section 1.5)	-
5	-	Miscellaneous Components (See Section 1.7)	-



1.1 COMPRESSOR ASSEMBLIES

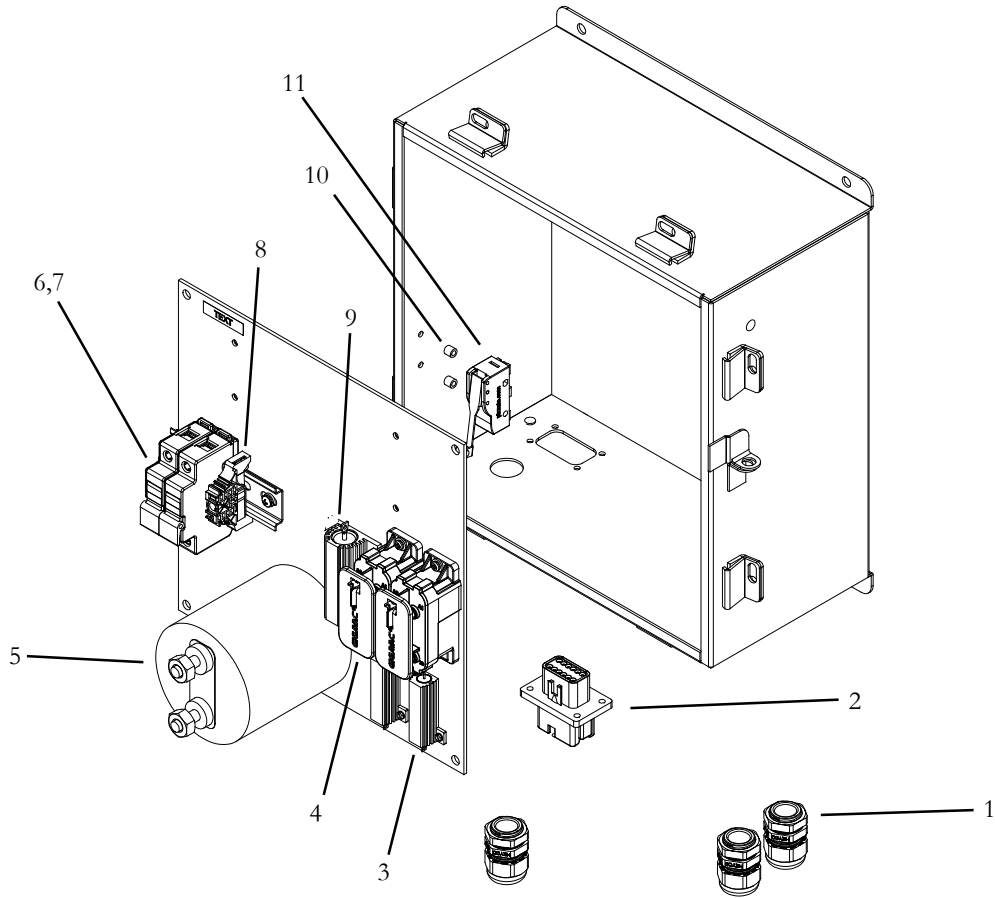


REF: Y19-00019-00 Rev 0

Item	Part Number	Description	Qty
1	N26-0103	Compressor, 800 VDC (Left Side Facing Panel)	1
2	40-62101-55	Fitting Kit, 90°, #10 FOR x #12 Hose, w/Low Side Port, FlexClik	2
3	Y35-00096-00	Transducer, Pressure	4
4	Y25-00232-03	Pressure Switch, High, Gray Leads (Opens 350-370 psig / Closes 270-300 psig)	2
5	40-62103-50	Fitting Kit, 90°, #8 FOR x #10 Hose, w/High Side Port, FlexClik	2
6	N26-1005	Compressor, 800 VDC (Right Side Facing Panel)	1
7	Y60-00067-00	Fitting, Discharge	2
8	Y60-00067-01	Fitting, Suction	2
9	40-00190-00	Valve Body, 1/4" SAE Flare, 1/8"-27 NPT	6
NS	N30-0004	Oil, Compressor (Synthetic Hydrocarbon 14.2 oz. (420 mL))	A/R



1.2 HIGH VOLTAGE PANEL ASSEMBLY - Y25-00216-00

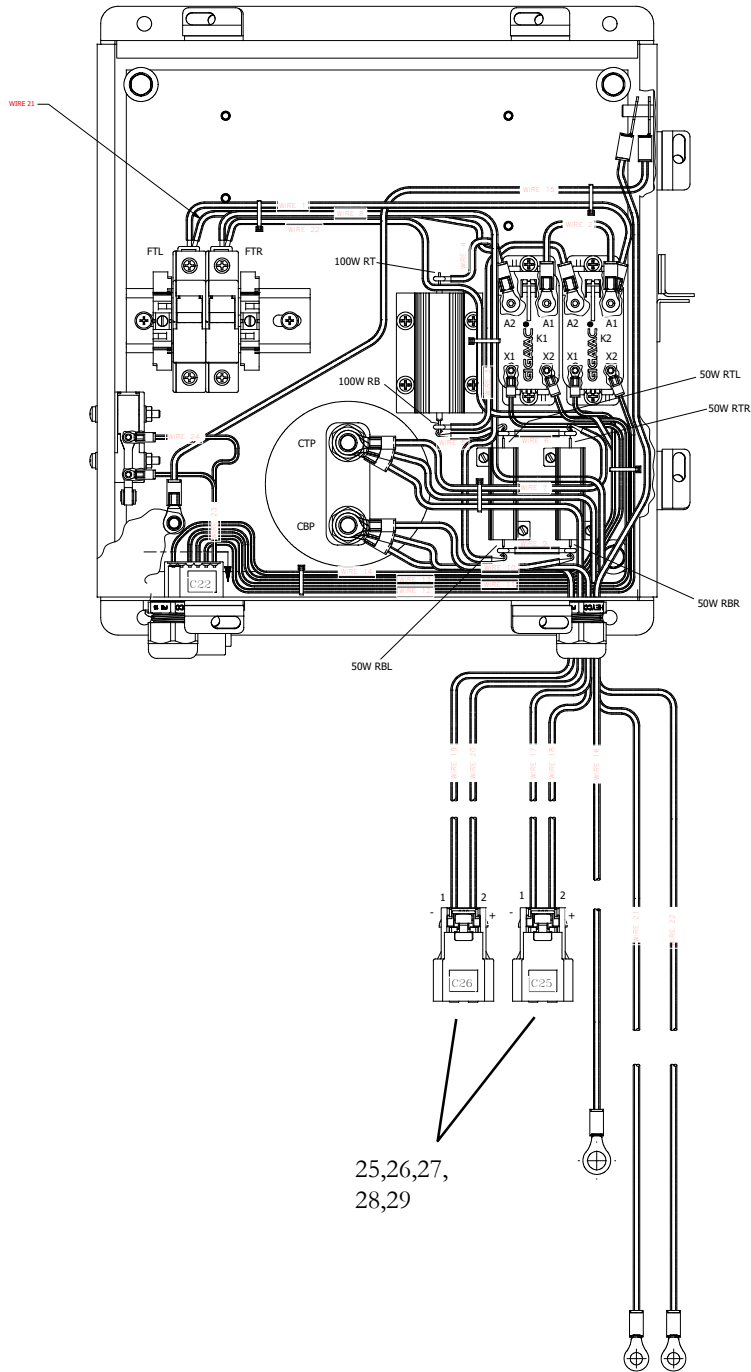


REF: Y25-00216-00 Rev 0

Item	Part Number	Description	Qty
1	202-418	Fitting, Liquid Tight, Straight Thru (Heyco # 3219)	3
2	Y31-00058-12	Connector, Receptacle, 12 Way w/Flange (Deutsch # DT04-12PA-BL04)	1
3	Y35-00087-00	Resistor, 100K, 50W	2
4	Y35-00095-00	Contactator, 12 VDC	2
5	Y35-00090-00	Capacitor, 360 uF, 800 VDC	1
6	Y35-00089-00	Fuse Holder	1
7	Y35-00085-00	Fuse, 20A Solar	2
8	T31-2152	Terminal Block, End Block	2
9	Y35-00088-00	Resistor, 500 OHM, 100W	1
10	Y29-00126-00	Spacer, Nylon	2
11	T25-3690	Switch, Door Saftey	1

1.2.1 HIGH VOLTAGE PANEL ASSEMBLY

Complete wire harnesses are Non-Stock Items.
 When available, replacement components are listed and cross referenced to supplier part number.



REF: Y25-00216-00 Rev 0

Wire Number	End #1	End #2
1	3/8" Strip	Ring Terminal 22-01140-05 (AMP # 35108)
2	Ring Terminal 22-01140-05 (AMP # 35108)	Ring Terminal 22-01140-05 (AMP # 35108)
3	Ring Terminal 22-01140-05 (AMP # 35108)	Strip / Solder



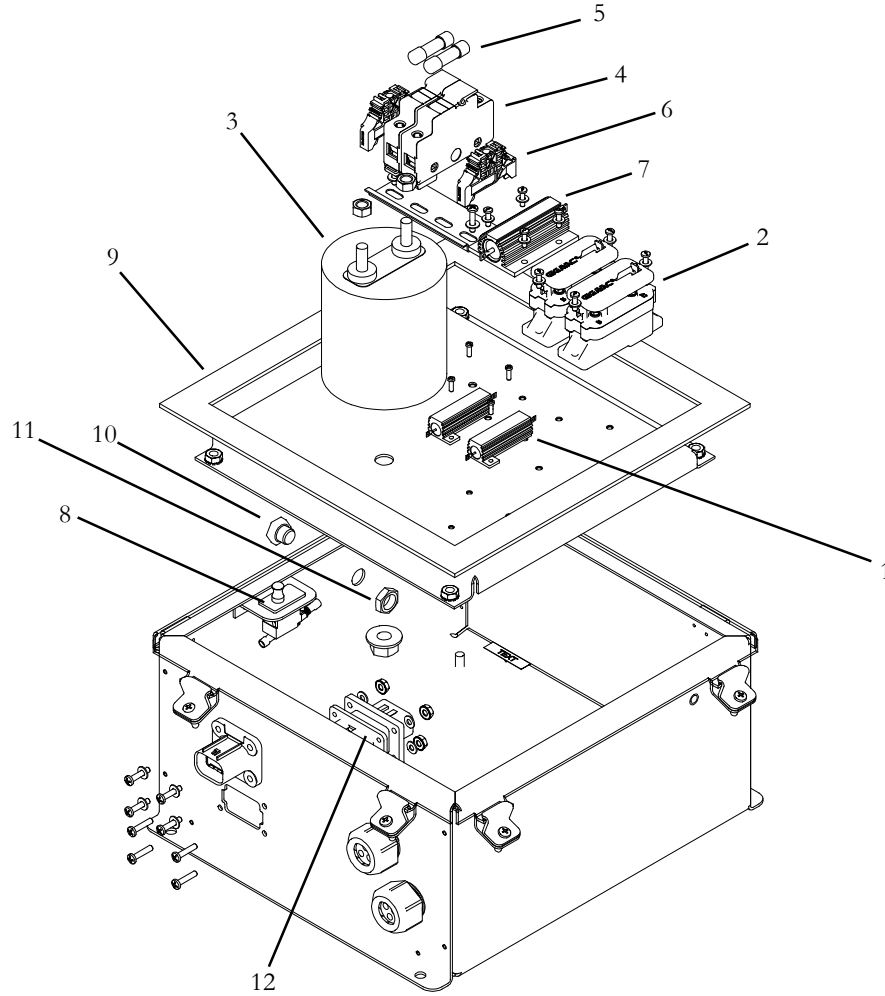
1.2.1 HIGH VOLTAGE PANEL ASSEMBLY (CONTINUED)

Wire Number	End #1	End #2
4	Ring Terminal 22-01140-05 (AMP # 35108)	Strip / Solder
5	Strip / Solder	Strip / Solder
6	Strip / Solder	Strip / Solder
7	Strip / Solder	Ring Terminal 31-1075 (AMP # 34856)
8	3/8" STRIP	Strip / Solder
9	Strip / Solder	Strip / Solder
10	Strip / Solder	Ring Terminal 31-1075 (AMP # 34856)
11	Ring Terminal 31-1110 (AMP # 36150)	Contact Y31-00062-00 (TE # 1060-16-0622)
12	Ring Terminal 31-1110 (AMP # 36150)	Contact Y31-00062-00 (TE # 1060-16-0622)
13	Ring Terminal 31-1110 (AMP # 36150)	Contact Y31-00062-00 (TE # 1060-16-0622)
14	Ring Terminal 31-1110 (AMP # 36150)	Contact Y31-00062-00 (TE # 1060-16-0622)
15	Ring Terminal 22-01140-03 (AMP # 35110)	Ring Terminal 22-01140-03 (AMP # 35110)
16	Ring Terminal 22-01140-03 (AMP # 35110)	Ring Terminal 22-01140-04 (AMP # 2-320577-3)
17	Ring Terminal 31-1075 (AMP # 34856)	Terminal Tab Y31-00070-00
18	Ring Terminal 31-1075 (AMP # 34856)	Terminal Tab Y31-00070-00
19	Ring Terminal 31-1075 (AMP # 34856)	Terminal Tab Y31-00070-00
20	Ring Terminal 31-1075 (AMP # 34856)	Terminal Tab Y31-00070-00
21	3/8" STRIP	Ring Terminal (American Elec. # 11101040)
22	3/8" STRIP	Ring Terminal (American Elec. # 11101040)
23	Ring Terminal 31-1110 (AMP # 36150)	Contact Y31-00062-00 (TE # 1060-16-0622)
24	Ring Terminal 31-1110 (AMP # 36150)	Contact Y31-00062-00 (TE # 1060-16-0622)

Item	Part Number	Description	Qty
25	Y31-00069-00	Connector, 2-Way, HVA280 (TE Connectivity # 1587819-1)	2
26	Y31-00071-01	Ferrule, Outer, Size B (TE Connectivity # 1587829-2)	2
27	Y31-00071-11	Ferrule, Inner, Size B (TE Connectivity # 1587828-2)	2
28	Y31-00072-01	Cable Seal (TE Connectivity # 1587826-2)	2
29	Y31-00073-01	Cable Seal Retainer (TE Connectivity # 1587827-2)	2



1.3 HIGH VOLTAGE PANEL ASSEMBLY - T25-4659



REF: T25-4659 Rev 0

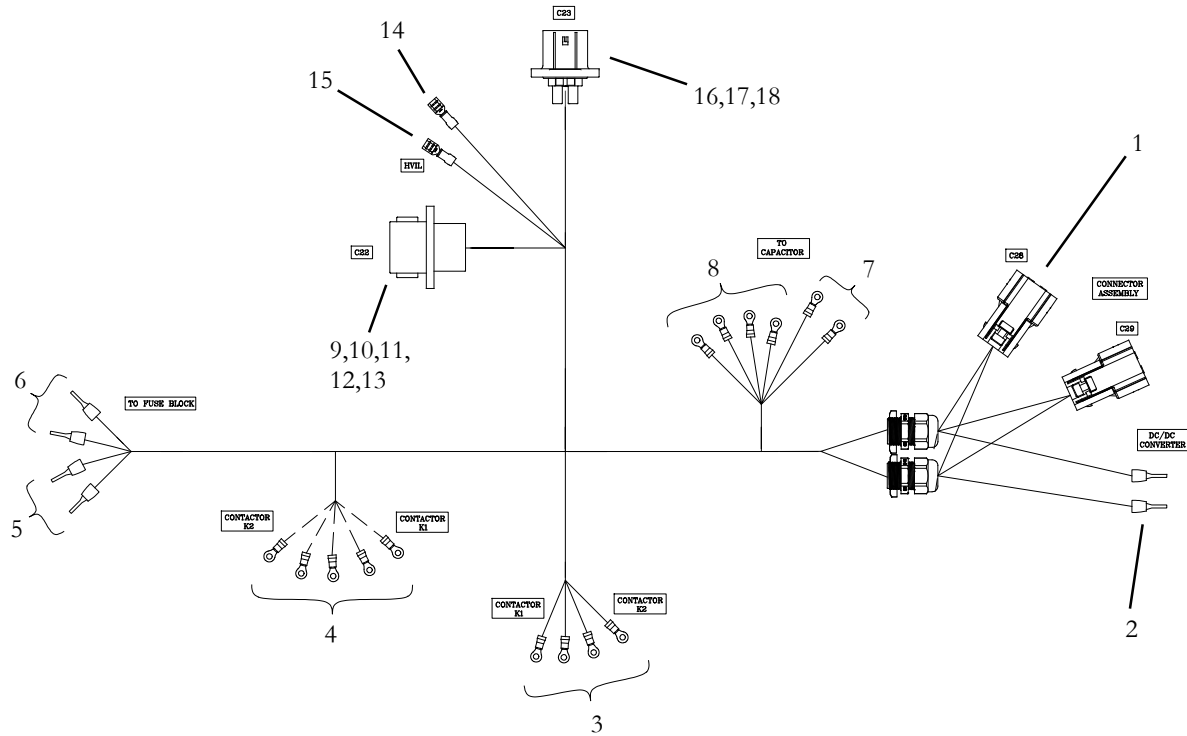
Item	Part Number	Description	Qty
1	Y35-00087-00	Resistor, 100K, 50W	2
2	Y35-00095-00	Contactor, 12 VDC	2
3	Y35-00090-00	Capacitor, 360 uF, 800 VDC	1
4	Y35-00089-00	Fuse Holder	1
5	Y35-00085-00	Fuse, 20A Solar	2
6	T31-2152	Terminal Block, End Block	2
7	Y35-00088-00	Resistor, 500 OHM, 100W	1
8	T31-2464	Switch, Door Saftey	1
9	T38-0729	Gasket	1
10	Y39-00054-00	Vent, M12 x 1.5	1
11	Y39-00054-02	Nut, M12 x 1.5	1
12	T31-2253	Gasket, 12 Way Deutsch	1



1.3.1 HIGH VOLTAGE PANEL ASSEMBLY

Complete wire harnesses are Non-Stock Items.

When available, replacement components are listed and cross referenced to supplier part number.

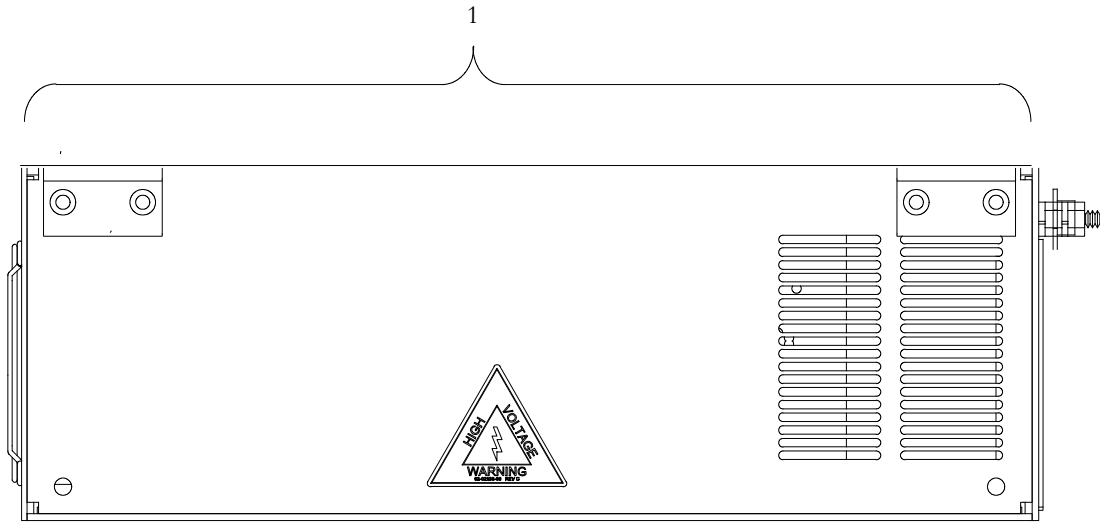


REF: T25-4660 Rev 0

Item	Part Number	Description	Qty
1	Y31-00067-00	Cable Assembly, HVA280 2PHI Plug Code A 35Q (TE # 2278723)	2
2	T31-2012	Terminal, Ferrule, 10-12 GA (Molex # 192130008)	2
3	31-1206	Terminal, Ring, #6, 14 GA (TE # 320619)	4
4	T31-2220	Terminal, Ring, #8, 14- 16 GA (TE # 35106)	5
5	T31-2109	Terminal, Ferrule, 8 GA (American Electric # 11121100)	2
6	T31-2011	Terminal, Ferrule, 14 GA (Molex # 192130012)	2
7	31-1484	Terminal, Ring, 5/16", 14 GA (AMP # 34163)	2
8	31-1075	Terminal, Ring, #6, 14 GA (TE # 2-34856-1)	4
9	Y31-00058-12	Connector, Deutsch Receptacle, 12 Position w/Flange (TE # DT04-12PA-BL04)	1
10	31-1118	Wedge, Receptacle, 12W (TE # W12P)	1
11	31-1053	Pin Terminal, Deutsch, 14 GA (Deutsch # 1030-14-0122)	5
12	31-1371	Pin Terminal, Deutsch, 18 GA (Deutsch # 1060-16-0122)	1
13	31-1054	Cavity Plug (CANTWELL # 114017)	6
14	31-1923	Quick Connect, 1/4", 18 GA	1
15	31-1922	Quick Connect, 1/4", 16-14 GA	1
16	31-1926	HVA 280, 2-W Header w/HVIL (TYCO # 2103124-1)	1
17	31-1927	Tab Terminal, 14 GA (TYCO # 2141598)	2
18	31-1929	HVIL FN Terminal, 18 GA (TYCO # 963715-5)	2



1.4 DC/DC CONVERTER



REF: Y35-00080-00 Rev 1

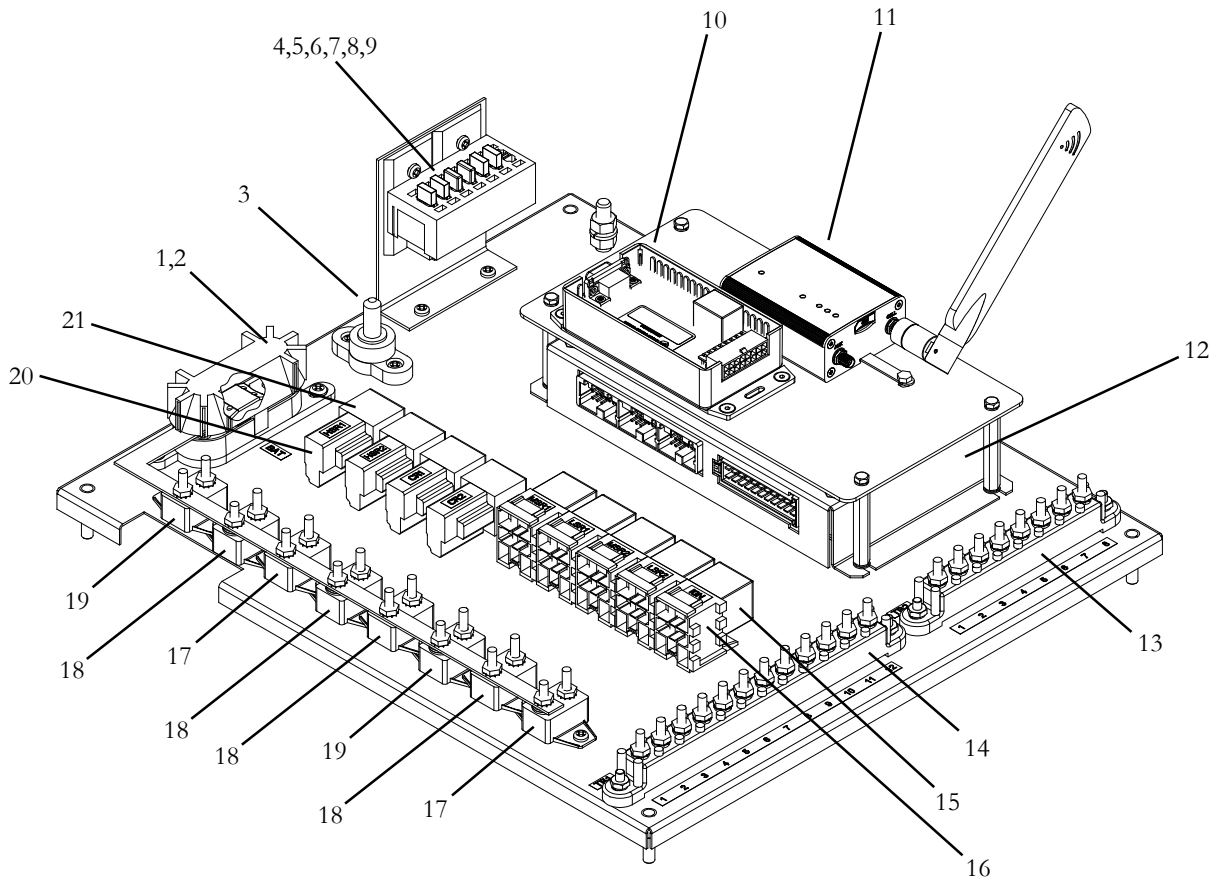
Item	Part Number	Description	Qty
1	Y35-00080-00	DC/DC Converter	1



1.5 LOW VOLTAGE PANEL ASSEMBLY

Complete wire harnesses are Non-Stock Items.

When available, replacement components are listed and cross referenced to supplier part number.



REF: Y25-00219-00 & -01 Rev 0

Item	Part Number	Description	Qty
1	22-02898-00	Fuse Holder, 150A	1
2	22-02336-31	MEGA Fuse, 100A	1
3	22-50098-91	Junction Block, Red	1
4	22-62036-00	Fuse Holder	1
5	22-62039-01	Lock, Secondary	12
6	22-02336-04	Fuse, 10A (LITTLEFUSE # 257010)	2
7	22-02336-02	Fuse, 5A (LITTLEFUSE # 257005)	1
8	22-02336-07	Fuse, 2A (LITTLEFUSE # 257002)	2
9	22-02336-03	Fuse, 3A (LITTLEFUSE # 257003)	1
10	T35-1707	Interface Module (Used on the Y25-00219-00 Panel Only)	1
11	T35-1762	Modem (Used on the Y25-00219-00 Panel Only)	1
12	T35-1867	Eco Temp Controller	1
13	22-02897-05	Junction Block, 8 Position	1
14	22-02897-09	Junction Block, 12 Position	1
15	201-901	Connector (Relay Base)	5



1.5 LOW VOLTAGE PANEL ASSEMBLY (CONTINUED)			
Item	Part Number	Description	Qty
16	Y25-00001-05	Relay, 50A, 12 VDC, SPDT	5
17	201-105	Circuit Breaker, Manual Reset, 20A	2
18	201-112	Circuit Breaker, Manual Reset, 40A	4
19	201-107	Circuit Breaker, Manual Reset, 50A	2
20	22-50078-18	Connector (Relay Base)	4
21	Y25-00089-00	Relay, 70A, 12 VDC, SPST	4

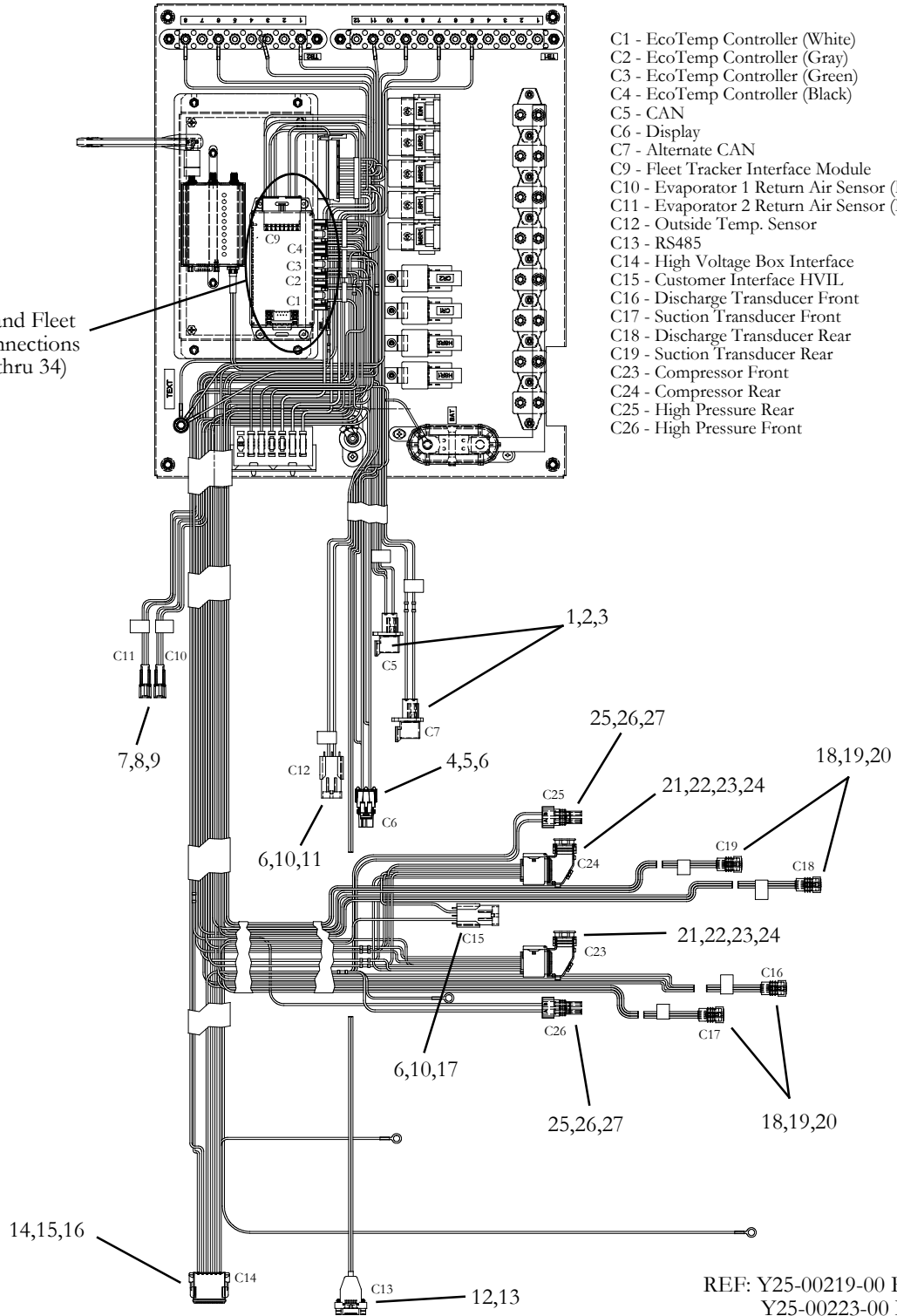


1.5.1 LOW VOLTAGE ELECTRICAL HARNESS COMPONENTS (ECOTEMP AND FLEET TRACKER HARNESS)

Complete wire harnesses are Non-Stock Items.

When available, replacement components are listed and cross referenced to supplier part number.

EcoTemp and Fleet Tracker Connections (Items 27 thru 34)



- C1 - EcoTemp Controller (White)
- C2 - EcoTemp Controller (Gray)
- C3 - EcoTemp Controller (Green)
- C4 - EcoTemp Controller (Black)
- C5 - CAN
- C6 - Display
- C7 - Alternate CAN
- C9 - Fleet Tracker Interface Module
- C10 - Evaporator 1 Return Air Sensor (Front)
- C11 - Evaporator 2 Return Air Sensor (Rear)
- C12 - Outside Temp. Sensor
- C13 - RS485
- C14 - High Voltage Box Interface
- C15 - Customer Interface HVIL
- C16 - Discharge Transducer Front
- C17 - Suction Transducer Front
- C18 - Discharge Transducer Rear
- C19 - Suction Transducer Rear
- C23 - Compressor Front
- C24 - Compressor Rear
- C25 - High Pressure Rear
- C26 - High Pressure Front

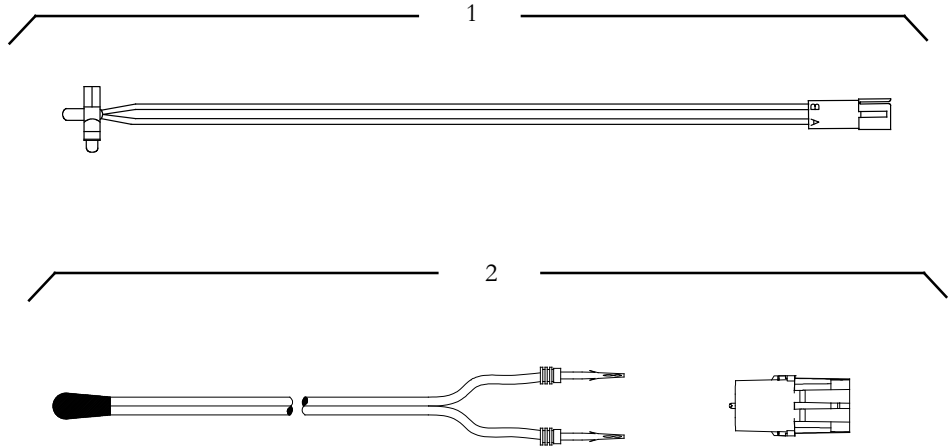
REF: Y25-00219-00 Rev 0
Y25-00223-00 Rev 2



1.5.1 LOW VOLTAGE ELECTRICAL HARNESS COMPONENTS (ECOTEMP AND FLEET TRACKER HARNESS) CONTINUED:			
Item	Part Number	Description	Qty
1	31-1895	Connector, 3-Way (C5 & C7) (Deutsch # DT04-3P-L012)	2
2	31-1121	Wedge (Deutsch # W3P)	2
3	31-1371	Contact, Pin (Deutsch # 1060-16-0122)	4
4	31-1060	Connector, Tower, 4-way WP (C6) (Delphi # 12015798)	1
5	22-01566-01	Contacts, Socket (Delphi # 12089188)	4
6	22-02394-02	Seal, Cable, WP, Green (Delphi # 15324982)	8
7	22-50099-33	Connector, Male, 2- Way, M/P 150 (C10 & C11) (Delphi # 12047663)	2
8	22-50099-33C	TPA (Delphi # 12047665)	2
9	22-50099-33B	Terminal, Male (Delphi # 12059894)	4
10	22-02392-01	Connector, Shroud, 2-Way WP (C12 & C15) (Delphi # 12034074)	2
11	22-50078-58F	Terminal, Female, 18-20 AWG (Delphi # 12089188)	2
12	25-1648	Connector, DB9 (C13) (Amphenol # AS-CBDBF3000B)	1
13	31-1658	Terminal, Pin (Amp # 33130-3)	2
14	31-1116	Connector, Plug, 12-Way (C14) (Deutsch # DT06-12SA)	1
15	31-1117	Wedge Lock (Deutsch # W12S)	1
16	-	Sockets, Stamped (Deutsch # 1062-16-D622)	4
17	22-02393-01	Terminal, Male, 18-20 AWG (Delphi # 12089040)	2
18	31-1295	Connector, 3-Way (C16, C17, C18 & C19) (Delphi # 12065287)	4
19	31-1296	Terminal, Female 18AWG (Delphi # 12103881)	12
20	22-02448-00SV	Transducer Connector Service Pack (1 Connector and 3 Terminals each)	4
21	-	Connector Shell (C23 & 24) (TE # 1-1418479-1)	2
22	-	Connector Back Shell (C23 & 24) (TE # 1670057-1)	2
23	-	Contact Stamped (TE # 1564324-1)	12
24	-	Seal, Wire (TE # 964971-1)	12
25	22-01585-02	Connector, Tower, 2-Way (C25 & C26) (Delphi # 12015378)	2
26	31-1267	Terminals, Female, 18AWG WP (Delphi # 12089188)	4
27	22-02394-02	Seals, WP (Delphi # 15324982)	4
28	31-1881	Connector, 24-Way (C1) (White) (TE # 316371-1)	1
29	31-1882	Connector, 24-Way (C2) (Gray) (TE # 316372-6)	1
30	31-1880	Connector, 24-Way (C3) (Green) (TE # 353114-4)	1
31	31-1908	Terminals, Contacts, 22-18AWG (C1, C2, & C3) (TE # 179417-1)	30
32	31-1877	Connector, 22-Way (C4) (Black) (TE # 929504-7)	1
33	31-1673	Terminals, Contacts, 18 AWG (C4) (TE # 927779-3)	15
34	31-1787	Connector, Plug, 16-Way, Mate-N-Lok (C9) (TE # 770583-1)	1
35	31-1517	Terminal, Socket, 18AWG, MNL (TE # 770904-1)	4



1.5.2 SENSORS



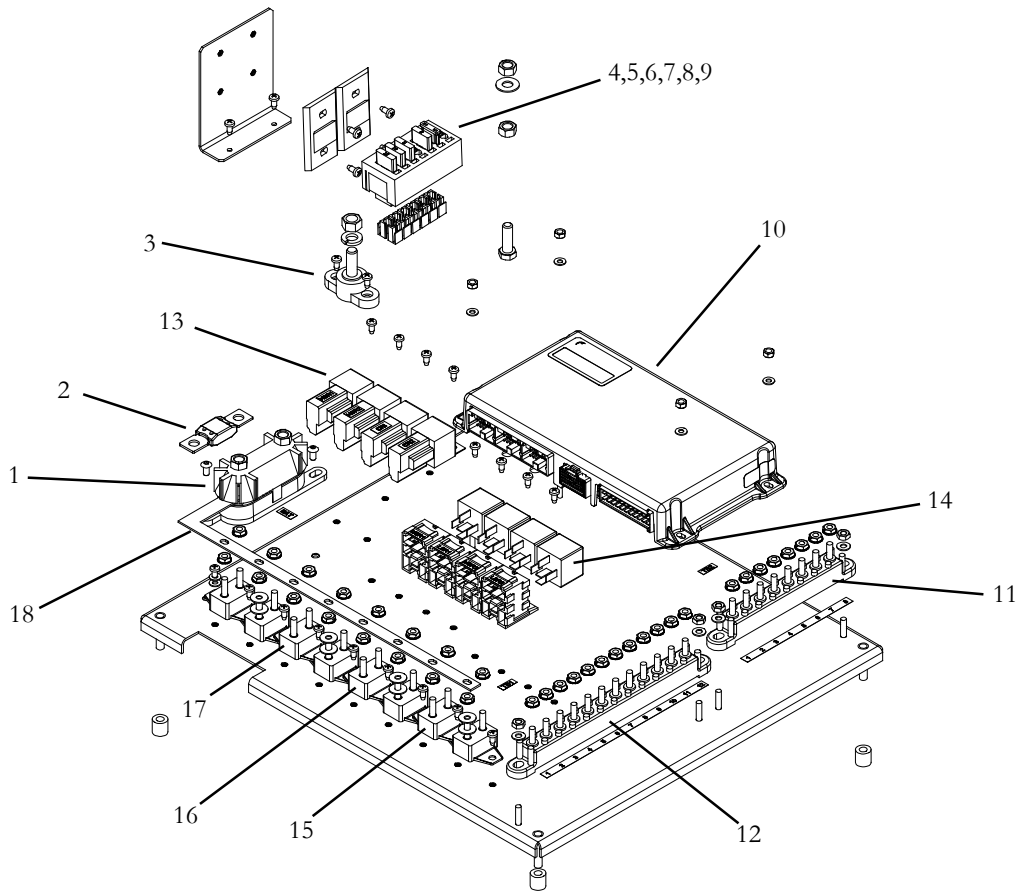
Item	Part Number	Description	Qty
1	22-62213-00	Sensor Assembly, Temp Con	2
2	25-3280	Air Temperature Sensor	1



1.6 LOW VOLTAGE PANEL ASSEMBLY

Complete wire harnesses are Non-Stock Items.

When available, replacement components are listed and cross referenced to supplier part number.



REF: T25-4658 Rev 0

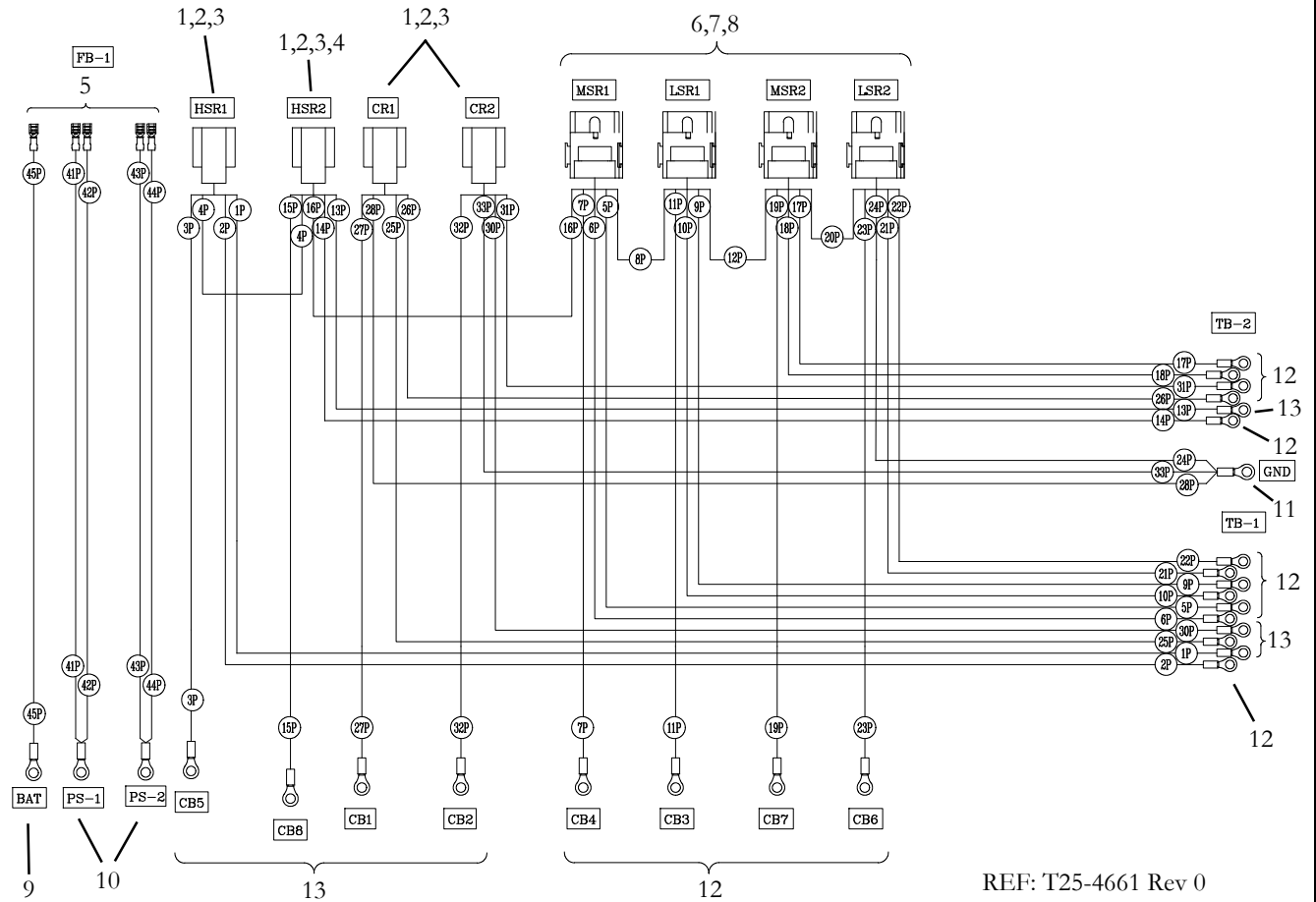
Item	Part Number	Description	Qty
1	22-02898-00	Fuse Holder, 150A	1
2	22-02336-31	MEGA Fuse, 100A	1
3	25-2420	Stud, 3/8", Red	1
4	22-62036-00	Fuse Holder	1
5	22-62039-01	Secondary Lock	12
6	25-0684	Fuse, 10A (LITTLEFUSE # 0287010)	2
7	25-0569	Fuse, 5A (LITTLEFUSE # 0287005)	1
8	25-0610	Fuse, 2A (LITTLEFUSE # 0287002)	1
9	25-0568	Fuse, 3A (LITTLEFUSE # 0287003)	1
10	T35-1992	Eco Temp II Controller	1
11	22-02897-05	Junction Block, 8 Position	1
12	22-02897-09	Junction Block, 12 Position	1
13	Y25-00089-00	Relay, 12 VDC, 70A	4
14	25-1123	Relay, 12 VDC	4
15	201-112	Circuit Breaker, 40A, Manual Reset	4



1.6 LOW VOLTAGE PANEL ASSEMBLY (CONTINUED)			
Item	Part Number	Description	Qty
16	201-107	Circuit Breaker, 50A, Manual Reset	2
17	201-105	Circuit Breaker, 20A, Manual Reset	2
18	T24-17085	Bar, Circuit Breaker	1

1.6.1 LOW VOLTAGE ELECTRICAL HARNESS COMPONENTS (ECOTEMP AND FLEET TRACKER HARNESS)

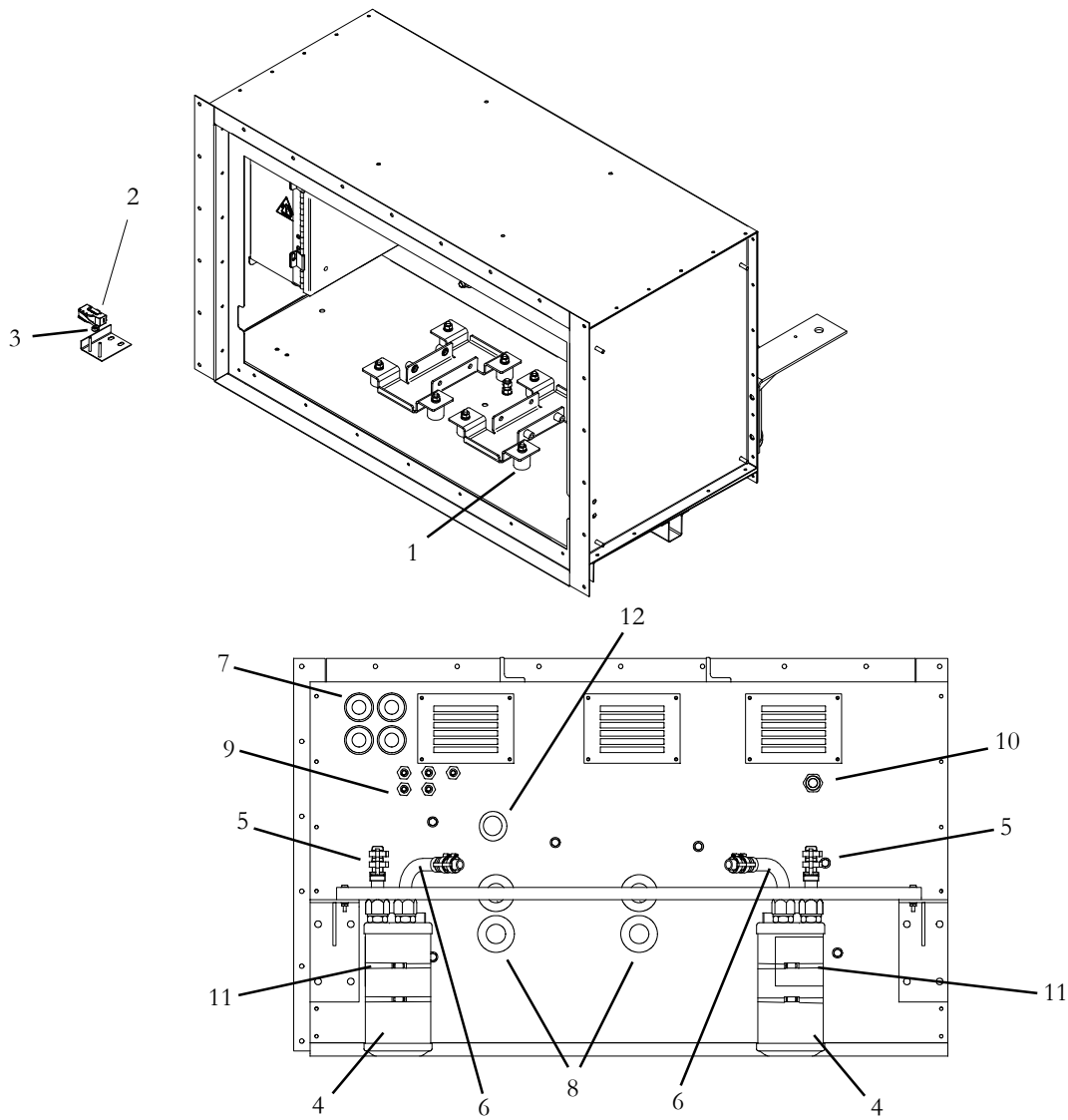
Complete wire harnesses are Non-Stock Items.
 When available, replacement components are listed and cross referenced to supplier part number.



Item	Part Number	Description	Qty
1	22-50078-18	Relay Socket (TE # VCF7-1000)	4
2	T31-2530	Terminals, 10 GA, 375 Fastin Faston (AMP # 280755-2)	8
3	31-1724	Terminal, 14 GA, Locking Female Tab (AMP # 42281-1)	8
4	31-1725	Terminal, 12 GA, Locking Female Tab (AMP # 60249-1)	1
5	31-1922	Quick Connect Receptacle, 1/4", 16-14 GA (Amp # 640905-2)	5
6	25-0221	Relay Socket (TE # VCF4-1002)	4
7	31-1126	Terminal, Relay, 14 GA (Delphi # 12015865)	12
8	T31-2461	APTIV M/P 630, SPL Female, 8-10 GA (AMP # 12084588)	4
9	31-1484	Ring Terminal, 5/16", 14 GA (TE # 34163)	1
10	31-1187	Ring Terminal, 3/8", 10 GA (AMP # 34113)	2
11	31-1075	Ring Terminal, 5/16", 12-10 GA (TE # 2-34856-1)	1
12	31-1062	Ring Terminal, #10, 14 GA (TE # 2-34161-1)	16
13	31-1044	Ring Terminal, #10, 10-12 GA (AMP # 2-34854-1)	8



1.7 MISCELLANEOUS COMPONENTS



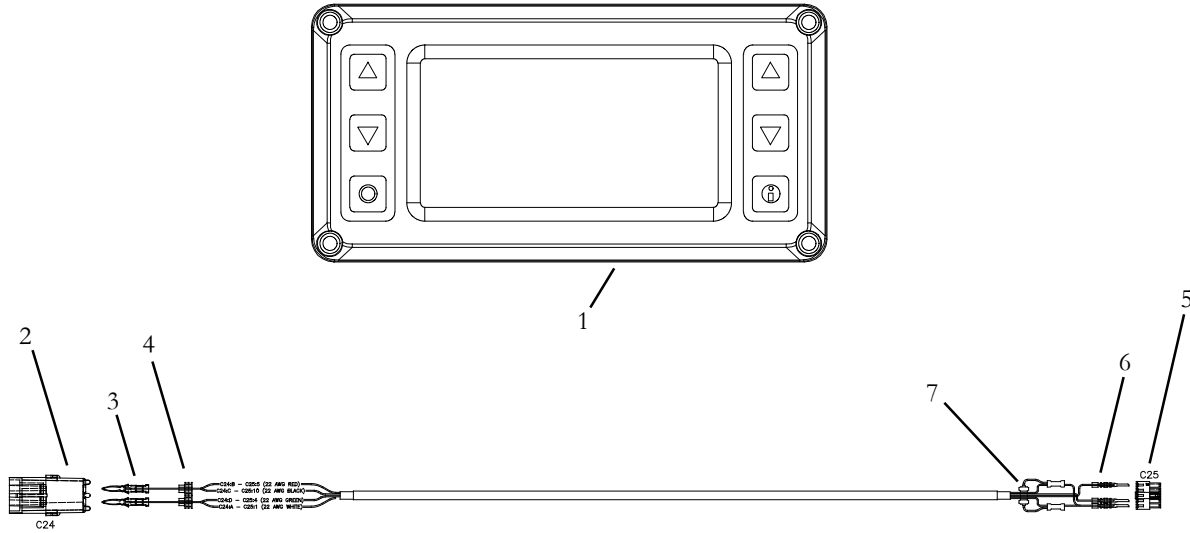
REF: Y19-00019-00 & -01

Item	Part Number	Description	Qty
1	Y29-00104-00	Isolator, Double Male Threaded, 8mm x 1.25	8
2	T25-3690	Switch, Door Safety (Used on Y19-00019-00 Application)	1
	T31-2464	Switch, Push Button, Door Safety (Used on Y19-00019-01 Application)	1
3	34-62000-02	Spacer, Nylon, 1/2" OD x .257 ID x 1/2" Long	2
4	65-62004-00	Accumulator, Suction Line, 4" OD	2
5	40-64074-56	Fitting Kit, Straight, 12 FOR x 12 Hose, FlexClik	2
6	40-64075-56	Fitting Kit, 90°, 12 FOR x 12 Hose, FlexClik	2
7	58-62153-00	Grommet, Cord Guard	4
8	58-60298-05	Grommet, .75 ID x .39 Thru ID x .16G	4
9	T31-2244	Cable Gland M12	5
10	202-418	Fitting, Liquid Tight Straight Thru (Heyco # 3219)	1
11	44-00045-30	Clamp, Worm Gear	4
12	T35-1566	Antenna, Ultra Wide Band	1



1.7.1 MISCELLANEOUS COMPONENTS - DRIVER DISPLAY AND HARNESS

Complete wire harnesses are Non-Stock Items.
 When available, replacement components are listed and cross referenced to supplier part number.



REF: T35-1869 &
 Y25-00212-01

Item	Part Number	Description	Qty
1	T35-1869	Display, EcoTemp,	1
2	31-1061	Connector, 4-Way (Delphi # 12015024)	1
3	22-02393-01	Terminal, Pins, Male (Delphi # 12089040)	4
4	22-50078-51D	Seals, Cable (Delphi # 15324983)	4
5	31-1874	Connector, Receptacle, Micro-MNL, 10 Way (TE # 1-794617-0)	1
6	31-1875	Terminal, Female, 24-20AWG, Micro-MNL (TE # 1-794610-1)	4
7	T25-3629	Resistor, 120 Ohm	1



INDEX

Part#	Page#	Part#	Page#
2		40-62101-55	2
201-105	10, 15	40-62103-50	2
201-107	10, 15	40-64074-56	17
201-112	10, 14	40-64075-56	17
201-901	9	44-00045-30	17
202-418	3, 17	5	
22-02336-02	9	58-60298-05	17
22-02336-03	9	58-62153-00	17
22-02336-04	9	6	
22-02336-07	9	65-62004-00	17
22-02336-31	9, 14	N	
22-02897-05	9, 14	N26-0103	2
22-02897-09	9, 14	N26-1005	2
22-02898-00	9, 14	N30-0004	2
22-50078-18	10	T	
22-50098-91	9	T24-17085	15
22-62036-00	9, 14	T25-3690	3, 17
22-62039-01	9, 14	T31-2152	3, 6
22-62213-00	13	T31-2244	17
25-0568	14	T31-2253	6
25-0569	14	T31-2464	6, 17
25-0610	14	T35-1566	17
25-0684	14	T35-1707	9
25-1123	14	T35-1762	9
25-2420	14	T35-1867	9
25-3280	13	T35-1869	18
3		T35-1992	14
34-62000-02	17	T38-0729	6
4			
40-00190-00	2		



INDEX

Part#	Page#	Part#	Page#
Y			
Y25-00001-05	10	Y35-00087-00	3, 6
Y25-00089-00	10, 14	Y35-00088-00	3, 6
Y25-00232-03	2	Y35-00089-00	3, 6
Y29-00104-00	17	Y35-00090-00	3, 6
Y29-00126-00	3	Y35-00095-00	3, 6
Y31-00058-12	3	Y35-00096-00	2
Y35-00080-00	8	Y39-00054-00	6
Y35-00085-00	3, 6	Y39-00054-02	6
		Y60-00067-00	2
		Y60-00067-01	2

Every driver deserves the best possible vehicle climate with BCC products

BCC provides exceptional performance in mobile climate comfort.



www.bcc-hvac.com

Member of MTS Group • Certified ISO 9001 and ISO 1 4001.
Specifications subject to change without notice. BCC is a registered trademark.