

Bill of Materials Listing

TransArctic Canada Inc.

12/4/2007

Page 1 of 1

Product Number		Description	Bin	Date	Weight	Uof M	Yield
Line	Component Prod#	Description		Unit	Qty		
KMK72461		Mt Kit, C7, BBRE, O5K, 2B, 8" Crank, '07		12/04/07	216.86		0
10	KBB84161	Mt Kit, Base, Transit, BBRE, '07		each	1		
20	KKT82461	Mt Kit, Transit, O5K, '07		each	1		
30	KPK74161	Kit, Pulley, CAT C7, BBRE, '07			1		
40	KAK74161	Alt. Kit, 24V, CAT, BBRE, '07			1		
50	HOR70683	Hose, Rad, 2" ID, Curved (70683)		each	1		
60	CLP36001	Clamp, Gear, #36,1 13/16-2 3/4 (46/70mm)		each	2		

Bill of Materials Listing

TransArctic Canada Inc.

8/1/2008

Page 1 of 1

Product Number		Description	Bin	Date	Weight	Uof M	Yield
Line	Component Prod#	Description		Unit	Qty		
KBB84161		Mt Kit, Base, Transit, BBRE, '07		8/31/2007	154.12		0
5	BEL32592	Belt, Banded B, 2591mm (102") (RBX99-2)		each	1		
20	BMC83019	Bkt, Gusset, Bumper, ISC, BBRE, '07		each	1		
30	BMC83020	Bkt, Dampner, ISC, BBRE, '07		each	1		
40	BMC83021	Bkt, Comp, Frt, ISC, BBRE, '07		each	1		
50	BMC83022	Bkt, Comp, Rear, ISC, BBRE, '07		each	1		
60	BMC83023	Bkt, Gusset, Idler, ISC, BBRE, '07		each	1		
70	BMC83024	Bkt, Main, Idler, ISC, BBRE, '07		each	1		
80	BMC83026	Bkt, Sprt, Bump, Rear, ISC, BBRE, '07		each	1		
90	BMC83027	Bkt, Sprt, Bump, Side, ISC, BBRE, '07		each	1		
100	BMC83028	Bkt, Tray, ISC, BBRE, '07		each	1		
110	BMC83029	Bkt, Shift, Tank, Weldmt, ISC, BBRE, '07		each	1		
115	BMC83031	Bkt, Slide, Block, Idler, BBRE		each	1		
120	BMN80008	Vibration Isolator, Bar, 16.63 x 2 x 1.63		each	2		
130	BMN80009	Bkt, Main, Base PI, IC, RE300		each	1		
160	BMN80025	Bkt, Back, PL, Slide, IC, RE300		each	1		
170	PUA05000	Pulley, Assy, Idler, B/S, 5", ALUM, Pit		each	1		
180	PUA05002	Pulley, Assy, Idler, AB gr, 5", ALUM, Pit		each	1		
220	SCD32812	Spacer, Col, Drl, 32.8mm x 50.8o x 12.3i		each	1		
225	SPC19010	Spacer, Col, Drl, 19mm x 28.58o x 10.32i		each	2		
240	SCD48012	Spacer, Col, Drl, 48 mm x 34.9o x 12.3i		each	1		
250	SLV17012	Sleeve, Pulley, 16.9o x 22.23mm x 12.32i		each	2		
280	KBT84161	Bag Kit, Fasteners, KBB84161		each	1		

Bill of Materials Listing

TransArctic Canada Inc.

12/4/2007

Page 1 of 1

Product Number		Description	Bin	Date	Weight	Uof M	Yield
Line	Component Prod#	Description		Unit	Qty		
KBT84161		Bag Kit, Fasteners, KBB84161		08/29/07	5.31		0
10	BTC08020	Bolt, Hex, 8 x 1.25 x 20mm, 10.9, Plt		each	2		
20	BTC08035	Bolt, Hex, 8 x 1.25 x 35mm, 10.9, Plt		each	1		
50	BTC12040	Bolt, Hex, 12 x 1.75 x 40mm, 10.9, Plt		each	10		
60	BTC12050	Bolt, Hex, 12 x 1.75 x 50mm, 10.9, Plt		each	1		
70	BTC12060	Bolt, Hex, 12 x 1.75 x 60mm, 10.9, Plt		each	1		
100	BTC12100	Bolt, Hex, 12 x 1.75 x 100mm, 10.9, Plt		each	2		
105	BTP08653	Bolt, Hex, 1/2-13unc, 6.5", 5, Plt, FT		each	1		
115	BTQ06200	Bolt, Hex, 3/8-16unc, 2.0", 8, Plt		each	2		
120	BTQ08126	Bolt, Hex, 1/2-20unf, 1.25", 8, Plt		each	12		
135	BTQ08200	Bolt, Hex, 1/2-13unc, 2.0", 8, Plt		each	3		
160	CSF06075	Capscrew, FH, 3/8-16 x .75", Alloy, Plt		each	2		
170	NTA08000	Nut, Hex, 8 x 1.25, 8.8, Plt		each	3		
190	NTA12000	Nut, Hex, 12 x 1.75, 8.8, Plt		each	13		
200	NTP06000	Nut, Hex, 3/8-16unc, 5, Plt		each	2		
230	WFA08000	Washer, Flat, 8mm, 8.8, Plt		each	4		
250	WFA12000	Washer, Flat, 12mm, 8.8, Plt		each	24		
270	WFQ08000	Washer, Flat, 1/2", 8, Plt		each	15		
280	WLA08000	Washer, Lock, 8mm, 8.8, Plt		each	3		
300	WLA12000	Washer, Lock, 12mm, 8.8, Plt		each	14		
330	WLQ08000	Washer, Lock, 1/2", 8, Plt		each	13		

Bill of Materials Listing

TransArctic Canada Inc.

12/4/2007

Page 1 of 1

Product Number		Description	Bin	Date	Weight	Uof M	Yield
Line	Component Prod#	Description		Unit	Qty		
KKT82461		Mt Kit, Transit, O5K, '07		10/19/07	13.98		0
10	BMN80031	Bkt, Main, Slide, Assy, 05K, IC, RE300		each	1		
20	BMN80032	Bkt, Adapter, PL, IC, RE300		each	1		
30	CSF08100	Capscrew, FH, 1/2-13 x 1", Alloy, Plt		each	4		
40	NTP07000	Nut, Hex, 7/16-14unc, 5, Plt		each	4		
50	WFN07000	Washer, Flat, 7/16", 2, Plt		each	4		
60	WLP07000	Washer, Lock, 7/16", 5, Plt		each	4		

Bill of Materials Listing

TransArctic Canada Inc.

11/27/2007

Page 1 of 1

Product Number		Description	Bin	Date	Weight	Uof M	Yield
Line	Component Prod#	Description		Unit	Qty		
KPK74161		Kit, Pulley, CAT C7, BBRE, '07		10/22/07		20.19	0
10	PUL70022	Pulley, Crank, CAT C7, 2B/X, 8" D/A		each	1		
20	BTC10045	Bolt, Hex, 10 x 1.5 x 45mm, 10.9, Plt		each	8		
30	WFA10000	Washer, Flat, 10mm, 8.8, Plt		each	8		

Bill of Materials Listing

TransArctic Canada Inc.

11/27/2007

Page 1 of 1

Product Number		Description	Bin	Date	Weight	Uof M	Yield
Line	Component Prod#	Description		Unit	Qty		
KAK74161		Alt. Kit, 24V, CAT, BBRE, '07		10/04/07	28.30		0
10	BEL61613	Belt, 6gr, 1613mm (63.5") (5060635)		each	1		
20	BMK70086	Bkt, Alt, Main, Weldmt, CAT, 07		each	1		
30	BMT10008	Bkt, Tenr, Block, Offset		each	1		
40	BMT10009	Bkt, Tenr, Block, Tapped		each	1		
50	PUL80076	Pulley, Idler, Backside, P8, 76d (89062)		each	1		
60	PUL81074	Pulley, Idler, Frontside, P8,74d (89103)		each	1		
70	PUL80064	Pulley,ALT,Frontside,P8,63.5d (3972808)		each	1		
80	TEN80002	Tenr, HD Spring, BackSide, CCW (89200A)		each	1		
90	CLP20040	Clamp, "P" type, #40, 1/2"w, 2 1/2", PC		each	1		
100	TRD08120	Threaded, Rod, 1/2-13unc x 12", 5, Plt		piece	1		
110	KBA74161	Bag Kit, Fasteners, KAK74161		each	1		

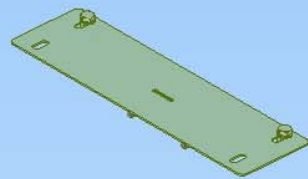
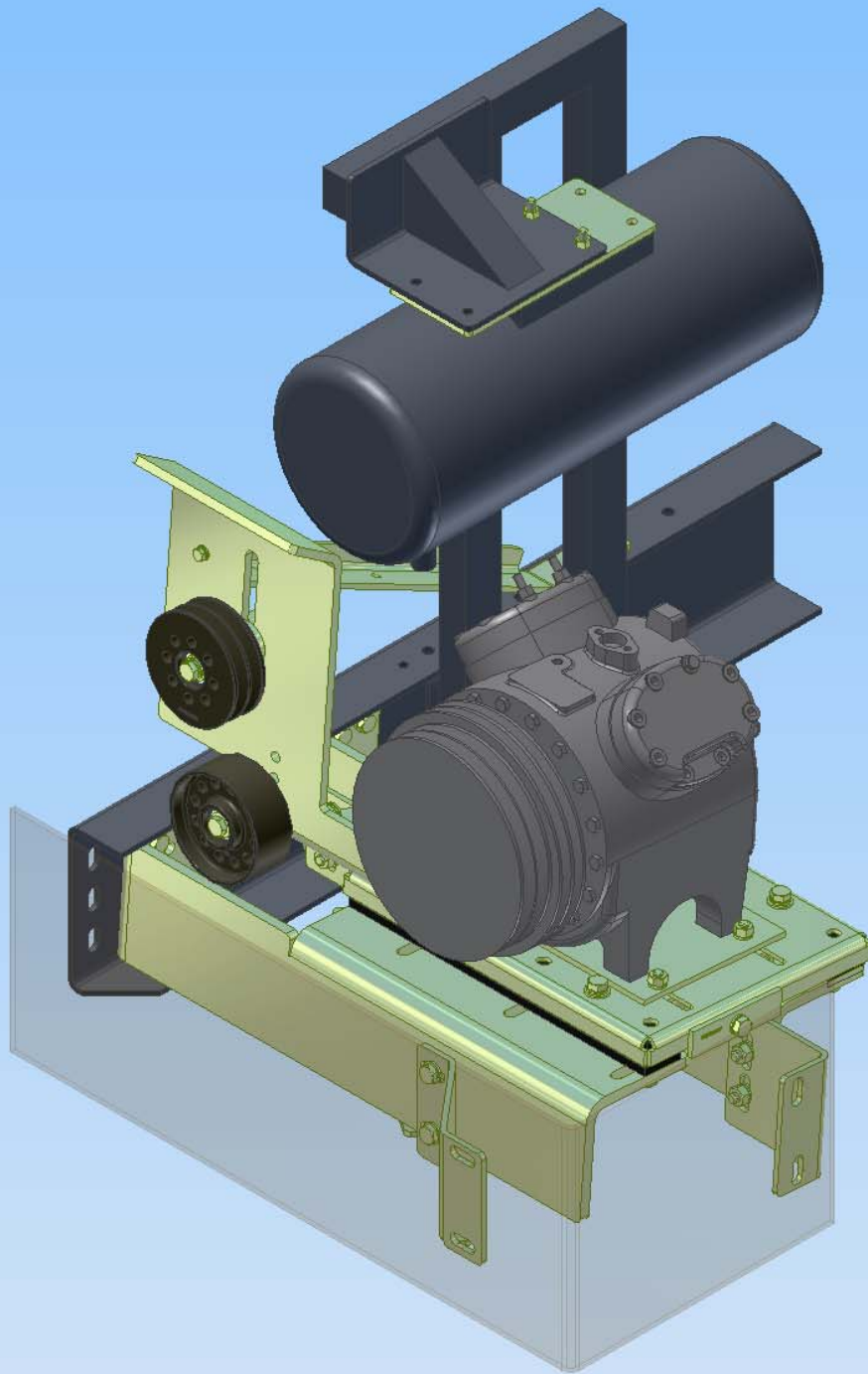
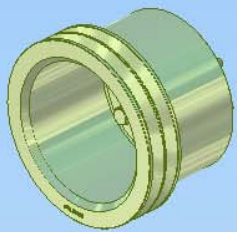
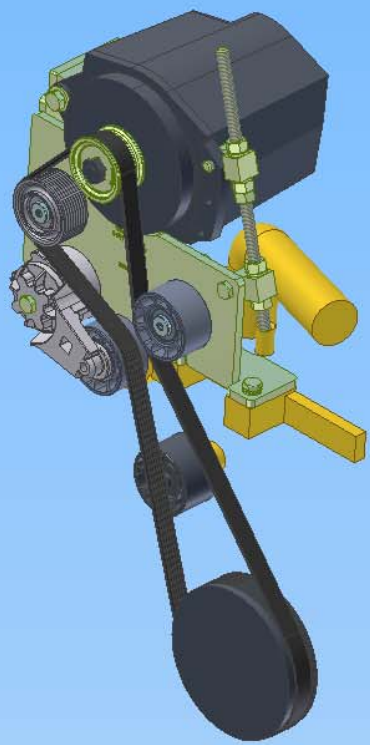
Bill of Materials Listing

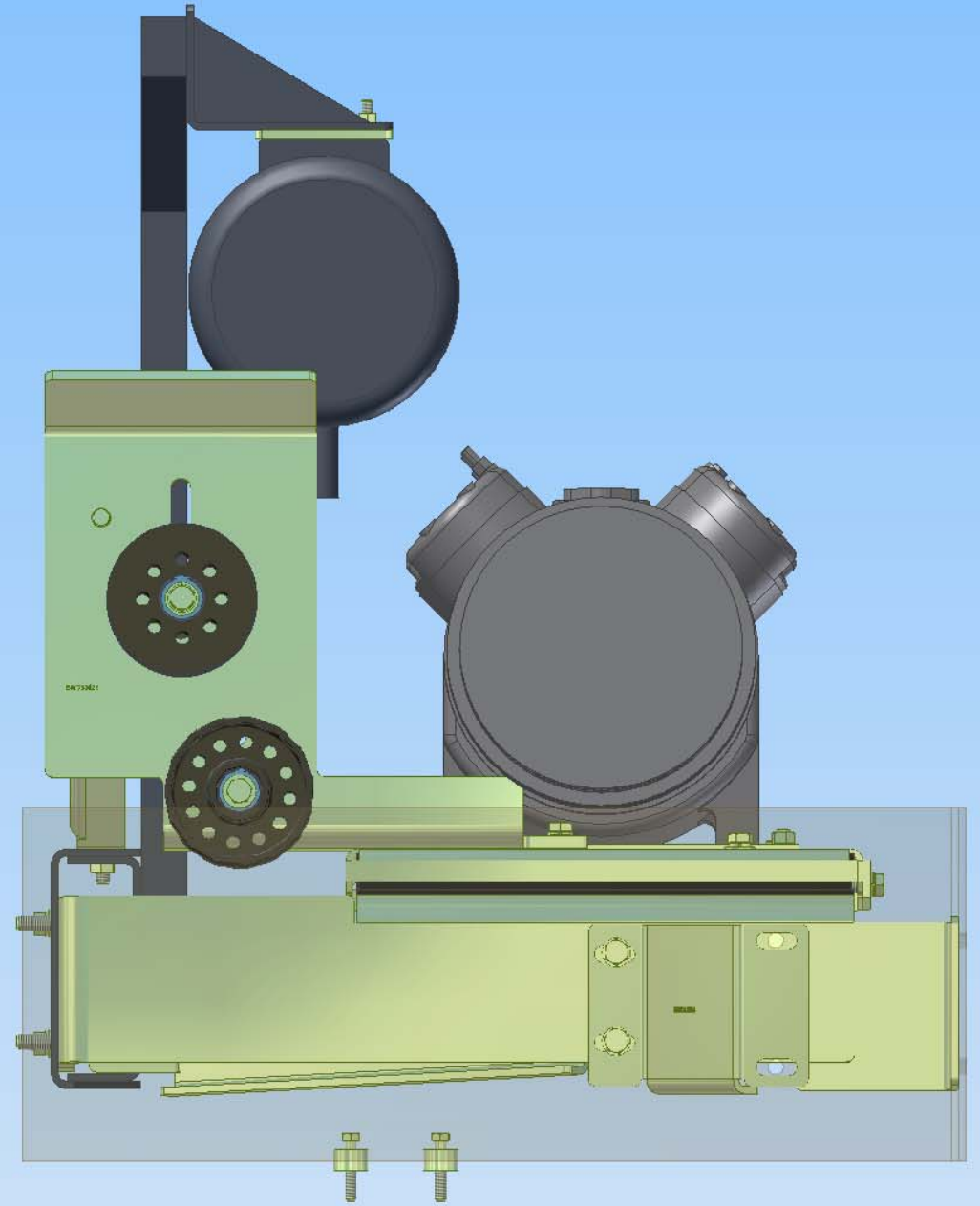
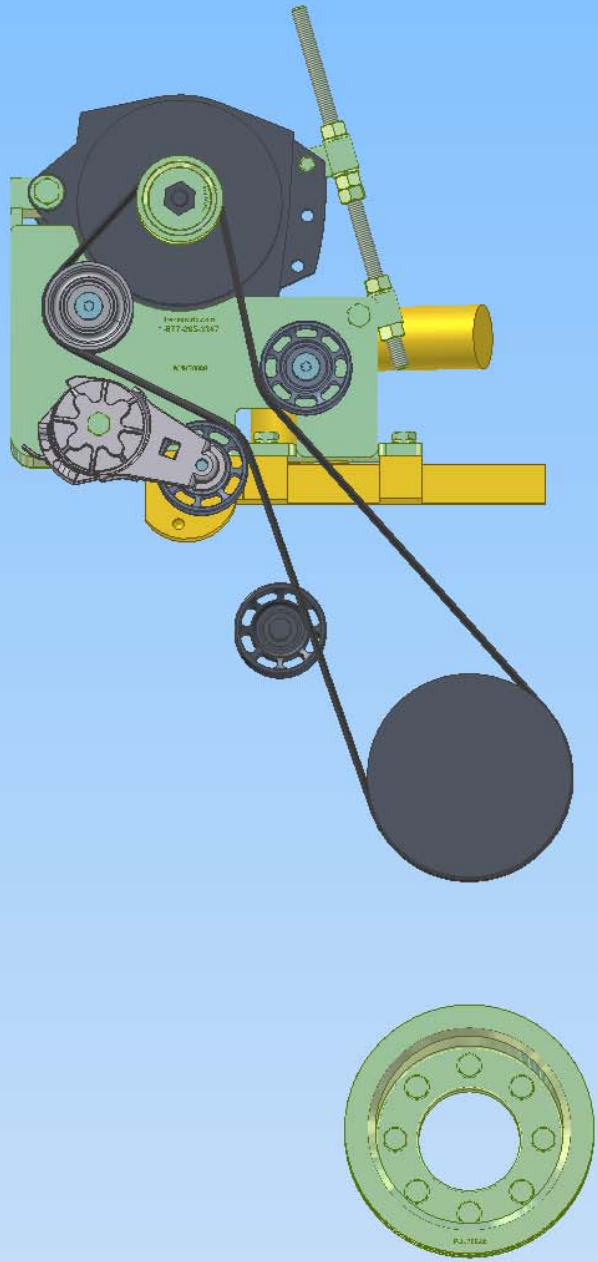
TransArctic Canada Inc.

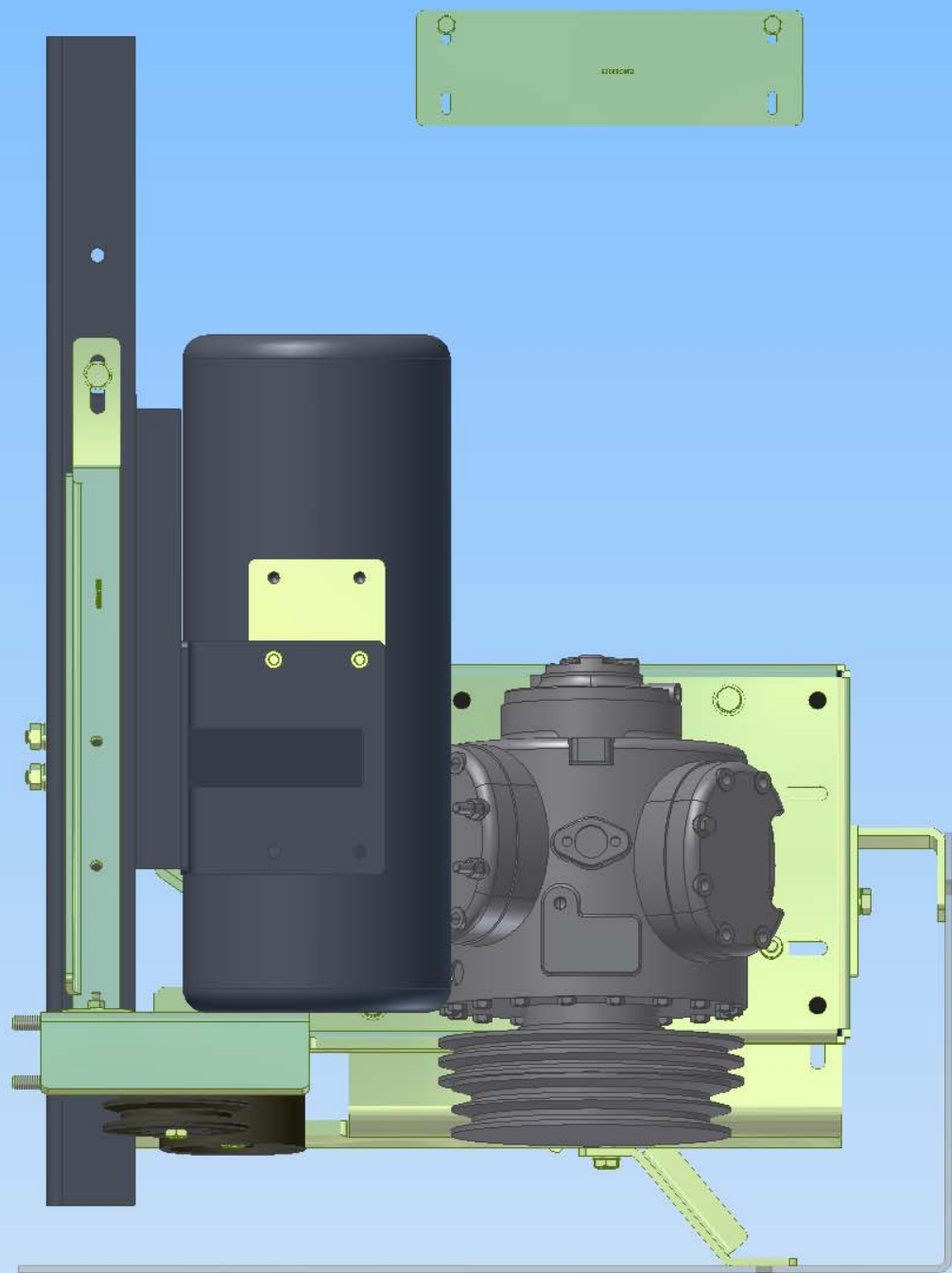
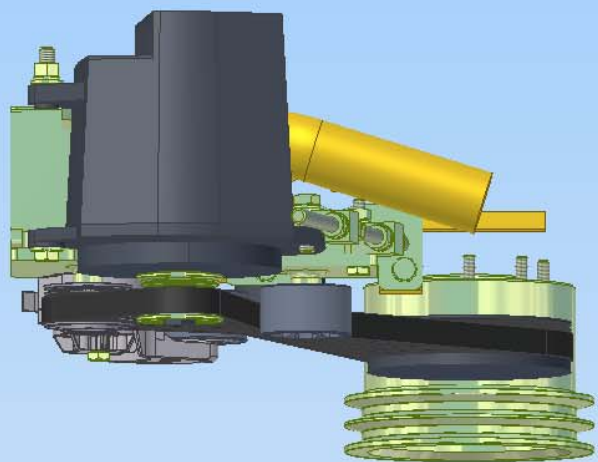
11/27/2007

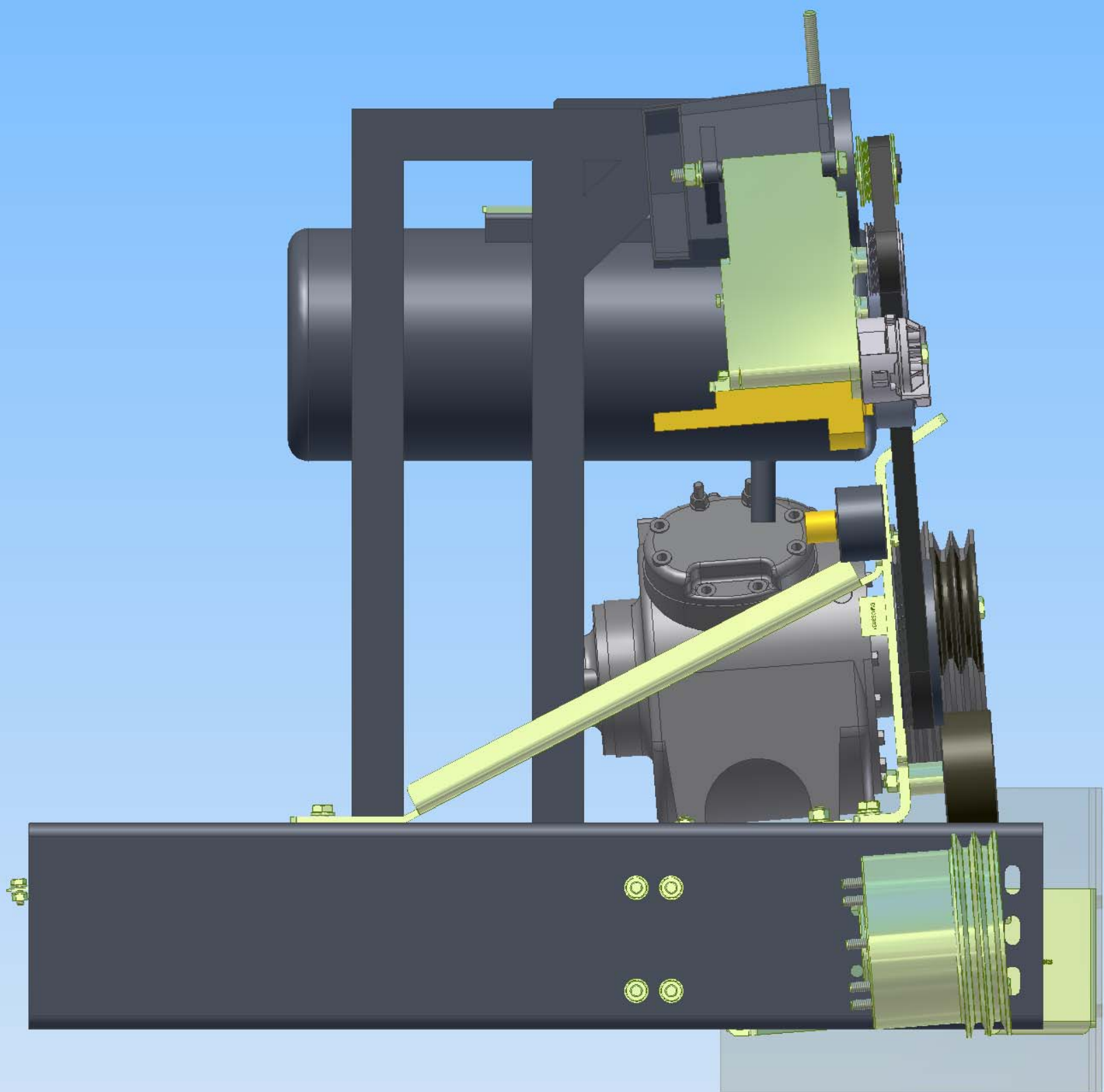
Page 1 of 1

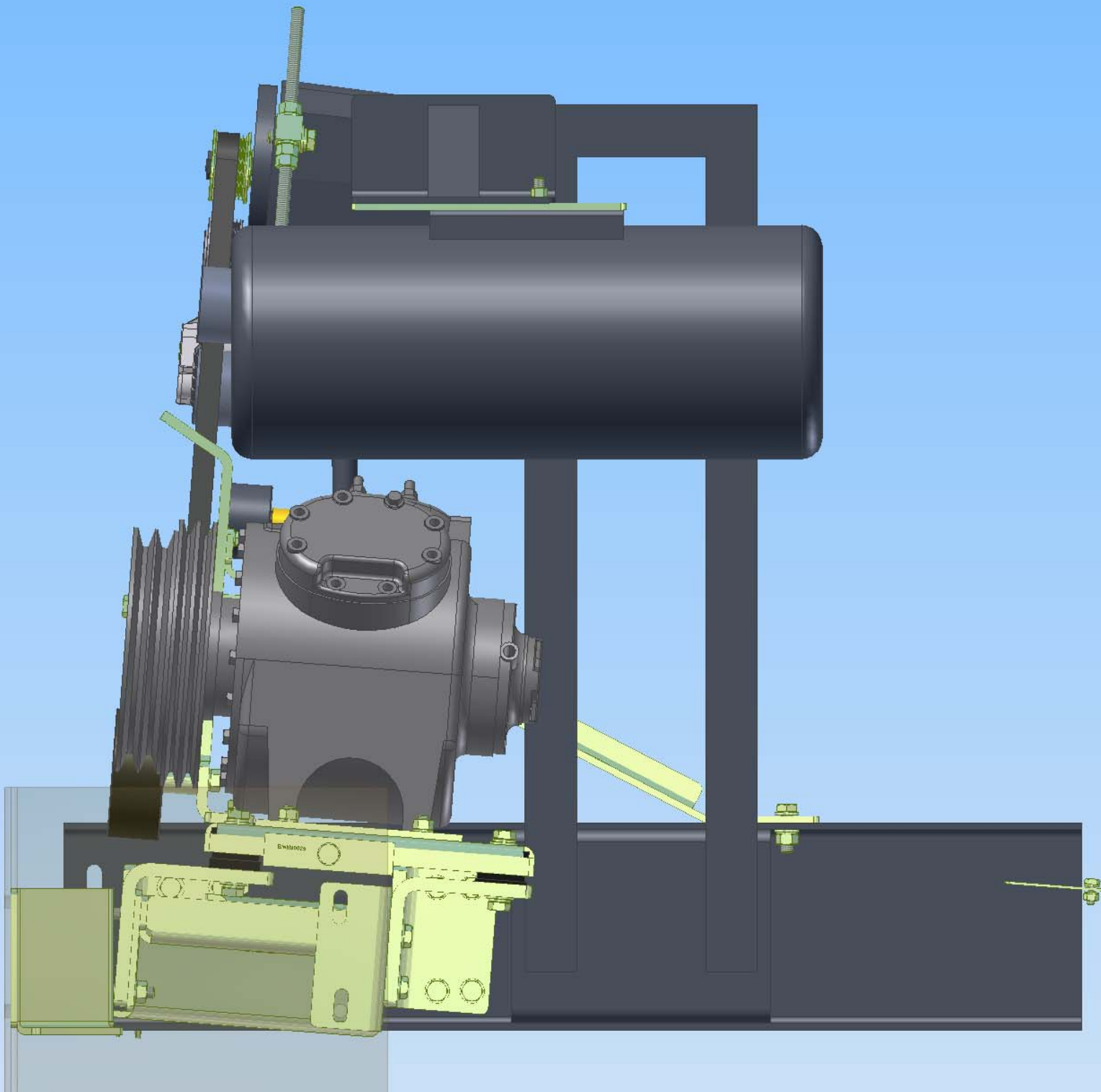
Product Number		Description	Bin	Date	Weight	Uof M	Yield
Line	Component Prod#	Description		Unit	Qty		
KBA74161		Bag Kit, Fasteners, KAK74161		10/22/07	1.35		0
10	BTS10001	Bolt, Shoulder, 10mm (89064)		each	2		
20	BTC10090	Bolt, Hex, 10 x 1.5 x 90mm, 10.9, Plt		each	1		
30	BTC10055	Bolt, Hex, 10 x 1.5 x 55mm, 10.9, Plt,FT		each	1		
40	BTC10035	Bolt, Hex, 10 x 1.5 x 35mm, 10.9, Plt		each	3		
50	BTQ08653	Bolt, Hex, 1/2-13unc, 6.5", 8, Plt		each	1		
60	BTQ08150	Bolt, Hex, 1/2-13unc, 1.5", 8, Plt		each	1		
70	BTP04100	Bolt, Hex, 1/4-20unc, 1", 5, Plt		each	1		
80	NTA10000	Nut, Hex, 10 x 1.5, 8.8, Plt		each	2		
90	NTQ08000	Nut, Hex, 1/2-13unc, 8, Plt		each	6		
100	NTP04000	Nut, Hex, 1/4-20unc, 5, Plt		each	1		
110	WFA10000	Washer, Flat, 10mm, 8.8, Plt		each	5		
120	WFQ08000	Washer, Flat, 1/2", 8, Plt		each	3		
130	WFN04000	Washer, Flat, 1/4", 2, Plt		each	1		
140	WLA10000	Washer, Lock, 10mm, 8.8, Plt		each	5		
150	WLQ08000	Washer, Lock, 1/2", 8, Plt		each	5		
160	WLP04000	Washer, Lock, 1/4", 5, Plt		each	1		











TransArctic A/C Compressor Mount Installation Disclaimer

All compressor mounts should be installed by qualified and trained personnel using proper tools and equipment in safe working conditions following industry standard guidelines for motor vehicle service and repair.

The installer of any compressor mount purchased from TransArctic must undertake all responsibility of issues arising from that compressor bracket being installed on any vehicle. As well as insure that a **proper and sufficient ground** is established between the compressors' clutches and the vehicle's engine. Mount functionality, operation and durability can all be compromised by an incompetent installation.

Due to the many different situations, parameters and application criteria, which are beyond the compressor mount manufacturer's control, TransArctic does not warrant design, durability, or operational functionality of any compressor mount improperly installed by another party.

With no implied guarantees it is the mount installer's strict responsibility to determine safety and functionality, of the compressor mount, at the time of installation.

Please contact TransArctic with any issue arising from installation so we may better improve the product. If you have any reservations about the compressor mount integrity contact TransArctic immediately at 1-877-COLD-AIR.