

Bill of Materials Listing

TransArctic Canada Inc.

10/7/2021
Page 1 of 1

Product Number	Date	Description	Uof M	Weight	Yield	
Line	Qty	Component Prod#	Rev#	Bin	Unit	
KMC96568	9/2/2020	0 Mt Kit, ISL-D, T3RE TM55/65, '22			1172.88	0
10	1	BEL32210			each	
20	1	BMC67197	0		Each	
30	1	BMC67198	0		Each	
40	1	BMC83053	1		each	
50	1	BMC83058	0		each	
60	1	BMC83074	1		each	
70	1	BMC83107	1		each	
80	1	BMC83109	0		each	
90	1	BMC83113	0		each	
100	1	BMC83116	0		each	
110	1	BMC83120	0		each	
120	1	BMC83122	0		each	
130	1	BMC90009	0		each	
140	2	BMN80008	1		each	
150	1	BMN80025	0		each	
160	1	BMZ00043	3		each	
170	2	CLP04000			each	
180	1	HOA04083	0		each	
190	1	KBT65501	0		each	
200	1	PUA05012	0		each	
210	1	PUL80074			each	
220	1	PUL89024	1		each	
230	1	SCD46012	1		each	
240	1	SCD48012	1		each	
250	2	SLV17012	0		each	
260	1	TUS04093	0		each	
270	1	KBC96568	0		each	

WILL REQUIRE TMP00002 (TEMPLATE).

Bill of Materials Listing

TransArctic Canada Inc.

9/24/2021
Page 1 of 1

Product Number	Date	Description	Uof M	Weight	Yield	
Line	Qty	Component Prod#	Rev#	Description	Bin	Unit
KBC96568	9/3/2020	0		Bag Kit, Fasteners, KMC96568		
						4.77
						0
10	4	BTC08035		Bolt, Hex, 8 x 1.25 x 35mm, 10.9, Plt,FT		each
20	3	BTC10035		Bolt, Hex, 10 x 1.5 x 35mm, 10.9, Plt,FT		each
25	5	BTC10070		Bolt, Hex, 10 x 1.5 x 70mm, 10.9, Plt		each
30	5	BTC12040		Bolt, Hex, 12 x 1.75 x 40mm, 10.9,Plt,FT		each
40	2	BTC12050		Bolt, Hex, 12 x 1.75 x 50mm, 10.9,Plt		each
50	2	BTC12100		Bolt, Hex, 12 x 1.75 x 100mm, 10.9, Plt		each
60	1	BTP08653		Bolt, Hex, 1/2-13unc, 6.5", 5, Plt, FT		each
70	2	BTQ08101		Bolt, Hex, 1/2-20unf, 1.00", 8, Plt		each
80	9	BTQ08126		Bolt, Hex, 1/2-20unf, 1.25", 8, Plt		each
90	1	CSF08076		Capscrew, FH, 1/2-20unf x .75",Alloy,Plt		each
100	3	NTA10000		Nut, Hex, 10 x 1.5, 8.8, Plt		each
110	9	NTA12000		Nut, Hex, 12 x 1.75, 8.8, Plt		each
120	3	SCP03075		Screw, PH, PD, SDT, #10-16 x .75, ST,Plt		each
130	4	WFA08000		Washer, Flat, 8mm, 8.8, Plt		each
140	6	WFA10000		Washer, Flat, 10mm, 8.8, Plt		each
150	16	WFA12000		Washer, Flat, 12mm, 8.8, Plt		each
160	11	WFQ08000		Washer, Flat, 1/2", 8, Plt		each
170	4	WLA08000		Washer, Lock, 8mm, 8.8, Plt		each
180	3	WLA10000		Washer, Lock, 10mm, 8.8, Plt		each
190	9	WLA12000		Washer, Lock, 12mm, 8.8, Plt		each
200	12	WLQ08000		Washer, Lock, 1/2", 8, Plt		each

Bill of Materials Listing

TransArctic Canada Inc.

9/23/2021
Page 1 of 1

Product Number	Date	Description		Uof M	Weight	Yield	
Line	Qty	Component Prod#	Rev#	Description	Bin	Unit	
KBT65501	8/10/2016	0		Kit, Platform, P/S, TM-55/65, '16		179.69	0
5	1	PAC15110		Pack, Carton, 15" x 11" x 10", 51 ECT		each	
10	1	BMN80031		0 Bkt, Main, Slide, Assy, 05K, IC, RE300		each	
20	1	BMZ00056		0 Bkt, Comp, FRT, Z, TM-65/55, '13		each	
30	1	BMZ00057		0 Bkt, Comp, Rear, Z, TM-65/55, '13		each	
40	1	KBZ65501		0 Bag Kit, Fasteners, KBT65501		each	

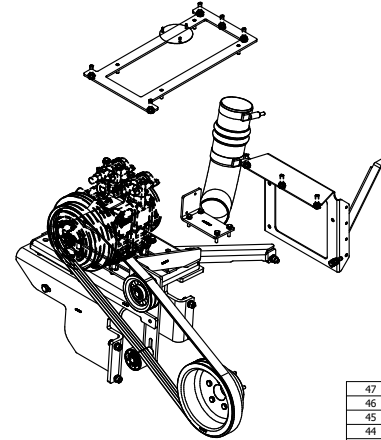
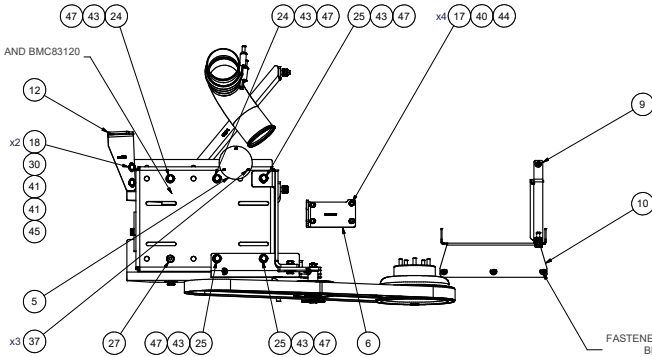
Bill of Materials Listing

TransArctic Canada Inc.

9/23/2021
Page 1 of 1

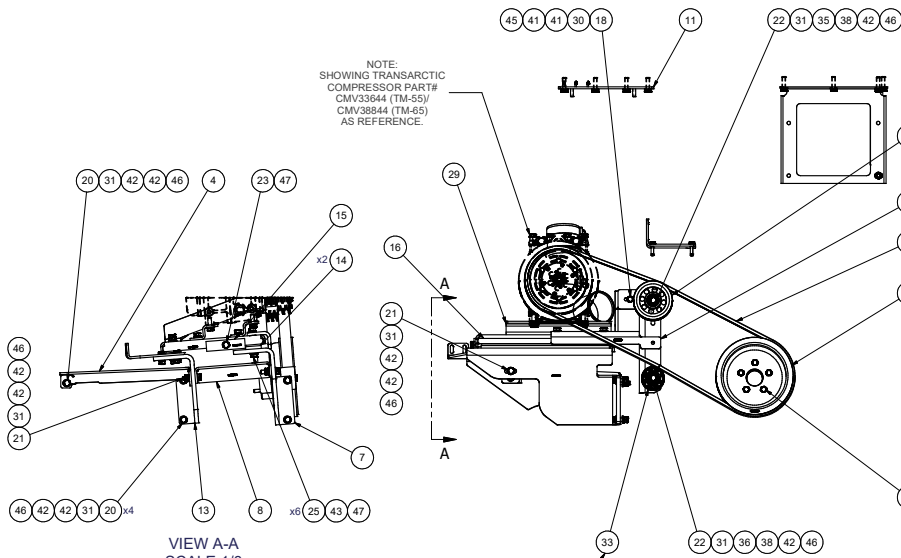
Product Number	Date	Description		Uof M	Weight	Yield		
Line	Qty	Component	Prod#	Rev#	Description	Bin	Unit	
KBZ65501	8/10/2016	0	Bag Kit, Fasteners, KBT65501				0.69	0
10	4	BTC12035			Bolt, Hex, 12 x 1.75 x 35mm, 10.9,Plt,FT		each	
20	4	NTP07000			Nut, Hex, 7/16-14unc, 5, Plt		each	
30	4	WFA12000			Washer, Flat, 12mm, 8.8, Plt		each	
40	4	WFN07000			Washer, Flat, 7/16", 2, Plt		each	
50	4	WLA12000			Washer, Lock, 12mm, 8.8, Plt		each	
60	4	WLQ07000			Washer, Lock, 7/16", 8, Plt		each	

NOTE: NOT SHOWING COMPRESSOR, KBT65501 AND BMC83120 FOR CLARITY.



ISOMETRIC VIEW

NOTE: SHOWING TRANSARCTIC COMPRESSOR PART# CMV33644 (TM-55)/ CMV33644 (TM-65) AS REFERENCE.



VIEW A-A
SCALE 1/8

NOTE: INSTALL PULLEY WITH DEEP OFFSET TOWARD SPACER.

NOTES:

- 1) USE SERVICABLE THREADLOCKER ON ALL FASTENERS TO ENGINE COMPONENTS AND TORQUE **ALL** BOLTS TO S.A.E. SPECIFICATIONS.
- 2) SEE "TRANSARCTIC A/C COMPRESSOR MOUNT INSTALLATION DISCLAIMER".

ITEM	QTY	U/M	PART NUMBER	DESCRIPTION
47	12	EACH	WLO08000	WASHER, LOCK, 1/2", 8, PLT
46	9	EACH	WLA12000	WASHER, LOCK, 12mm, 8.8, PLT
45	3	EACH	WLA10000	WASHER, LOCK, 10mm, 8.8, PLT
44	4	EACH	WLA08000	WASHER, LOCK, 8mm, 8.8, PLT
43	11	EACH	WFO08000	WASHER, FLAT, 1/2", 8, PLT
42	16	EACH	WFA12000	WASHER, FLAT, 12mm, 8.8, PLT
41	6	EACH	WFA10000	WASHER, FLAT, 10mm, 8.8, PLT
40	4	EACH	WFA08000	WASHER, FLAT, 8mm, 8.8, PLT
39	1	EACH	TUS04093	TUBE, STL, EXH, 4"o.d., 90 deg ELB, 8 x 8
38	2	EACH	SLV17012	SLEEVE, PULLEY, 16.90 x 22.23 mm x12.191
37	3	EACH	SCP03075	SCREW, PH, SDT, #10-16 x .75, ST, PLT
36	1	EACH	SCD48012	SPACER, COL, DRL, 48mm x 31.80 x 12.0
35	1	EACH	SCD46012	SPACER, COL, DRL, 46mm x 31.80 x 12.0
34	1	EACH	PUL89024	PULLEY, CRANK, ADD-ON, ISL, 2B, 21
33	1	EACH	PUL80074	PULLEY, IDLER, BACKSIDE, PB, 74D, 46.27W
32	1	EACH	PUA05012	PULLEY, ASSY, IDLER, B/BX gr, 5" STL, PLT
31	9	EACH	NTA12000	NUT, HEX, 12 x 1.75, 8.8, PLT
30	3	EACH	NTA10000	NUT, HEX, 10 x 1.5, 8.8, PLT
29	1	EACH	KBT65501	KIT, PLATFORM, P/S, TM-55/65, 16
28	1	EACH	HOA04083	HOSE, FLEX, CAC, 4.0d x 8.0, 3 RING
27	1	EACH	CSF08076	CAPSCREW, PH, 1/2-20UNF x .75", ALLOY, PLT
26	2	EACH	CLP04000	CLAMP, T BOLT, SPRING, 4", CAC
25	9	EACH	BTQ08126	BOLT, HEX, 1/2-20UNF x 1.25, 8, PLT
24	2	EACH	BTQ08101	BOLT, HEX, 1/2-20UNF x 1.00, 8, PLT
23	1	EACH	BTQ08653	BOLT, HEX, 1/2-13UNC x 6.50, 5, PLT, FT
22	2	EACH	BTC12100	BOLT, HEX, 12 x 1.75 x 100mm, 10.9, PLT
21	2	EACH	BTC12050	BOLT, HEX, 12 x 1.75 x 50mm, 10.9, PLT
20	5	EACH	BTC12040	BOLT, HEX, 12 x 1.75 x 40mm, 10.9, PLT
19	5	EACH	BTC10070	BOLT, HEX, 10 x 1.5 x 70mm, 10.9, PLT
18	3	EACH	BTC10035	BOLT, HEX, 10 x 1.5 x 35mm, 10.9, PLT
17	4	EACH	BTC08035	BOLT, HEX, 8 x 1.25 x 35mm, 10.9, PLT
16	1	EACH	BMZ00043	BKT, MAIN, BASE PL, 13
15	1	EACH	BMN80025	BKT, BACK, PL, SLIDE, IC, RE300
14	2	EACH	BMN80008	VIBRATION ISOLATOR, BAR, 16.50 x 2 x 1.50
13	1	EACH	BMC90009	BKT, MAIN, RR SUPPORT, CNG, T3RE, 13
12	1	EACH	BMC83122	BKT, EXHAUST, ADAPTER, T3RE, 13
11	1	EACH	BMC83120	BKT, WELDMT, SUP, A.F HOUSING, T3RE, 13
10	1	EACH	BMC83116	BKT, SUPPORT, PDU PANEL, T3RE, 13
9	1	EACH	BMC83113	BKT, BRACE RR/P/S, PDU PANEL, T3RE, 13
8	1	EACH	BMC83109	BKT, MAIN, LATERAL BRACE, T3RE, 13
7	1	EACH	BMC83107	BKT, MAIN, FRT SUPPORT, T3RE, 13
6	1	EACH	BMC83074	BKT, RELAY, ISC, D3RE, 2010
5	1	EACH	BMC83058	BKT, COVER, LIGHT PL, MFDOT, RE300
4	1	EACH	BMC83053	BKT, DIAG, BRACE RR, MFDOT, RE300
3	1	EACH	BMC67198	BKT, BRACE, IDLER, SUPPORT, 20
2	1	EACH	BMC67197	BKT, MAIN, IDLER, WELDMT, 20
1	1	EACH	BEL32210	BELT, BANDED B Gr, 2210mm (87")

TRANSARCTIC INC.

MT KIT, ISL-D, T3RE, TM-65/55, '22

DATE: 10/6/2021

BY: James Stewart

SCALE: 1:8

SHEET 1 OF 1

REV	ECN	DESCRIPTION	DATE	BY	VAL
0		RELEASED TO PRODUCTION	10/06/21		
1				James Stewart	10/6/2021
2				Dale Mason	10/6/2021

UNSPECIFIED TOLERANCES: ALL DIMS IN INCH

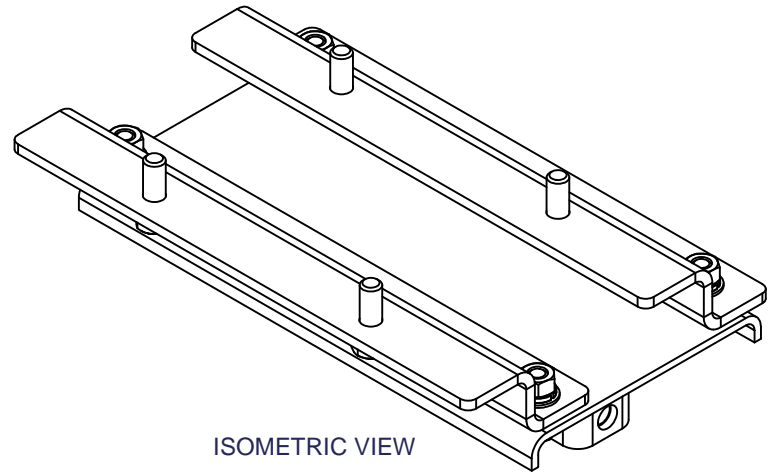
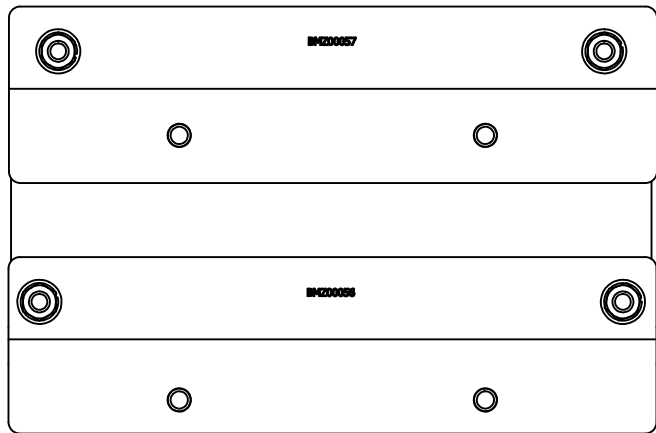
ONE DECIMAL PLACE (.X) 1/16 INCH

TWO DECIMAL PLACE (.XX) 1/32 INCH

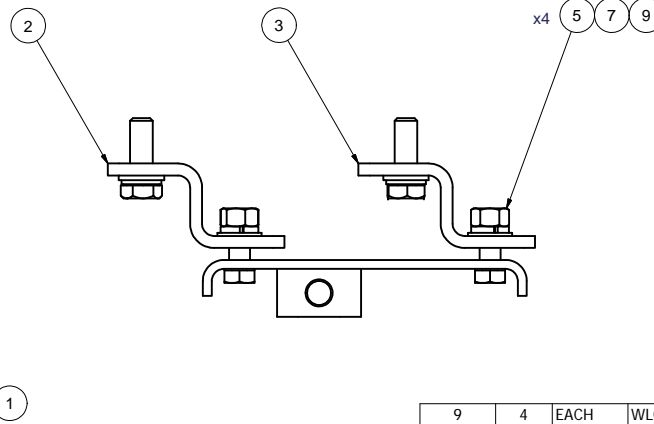
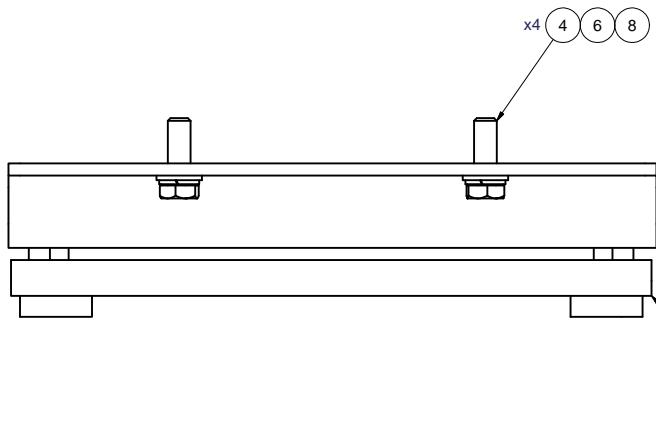
THREE DECIMAL PLACE (.XXX) 1/64 INCH

FRACTIONAL IN 1/8" INCHES 1/8"

THIRD ANGLE PROJECTION



ISOMETRIC VIEW



ITEM	QTY	U/M	PART NUMBER	DESCRIPTION
9	4	EACH	WLQ07000	WASHER, LOCK, 7/16", 8, PLT
8	4	EACH	WLA12000	WASHER, LOCK, 12mm, 8.8, PLT
7	4	EACH	WFN07000	WASHER, FLAT, 7/16", 2, PLT
6	4	EACH	WFA12000	WASHER, FLAT, 12mm, 8.8, PLT
5	4	EACH	NTP07000	NUT, HEX, 7/16-14UNC, 5, PLT
4	4	EACH	BTC12035	BOLT, HEX, 12 x 1.75 x 35mm, 10.9, PLT
3	1	EACH	BMZ00057	BKT, COMP, REAR, Z, TM-65/55, '13
2	1	EACH	BMZ00056	BKT, COMP, FRT, Z, TM-65/55, '13
1	1	EACH	BMN80031	BKT, MAIN, SLIDE, ASSY, 05K, IC, RE300

BILL OF MATERIALS

DRAWN	jrodriguez	8/8/2016
CHECKED	Val Jakowlew	8/8/2016
APPROVED	James Stewart	8/8/2016
MFG	James Stewart	8/8/2016
APPROVED	Dale Mason	8/8/2016



TITLE
KIT, PLATFORM, P/S, TM-55/65, '16

SIZE
C

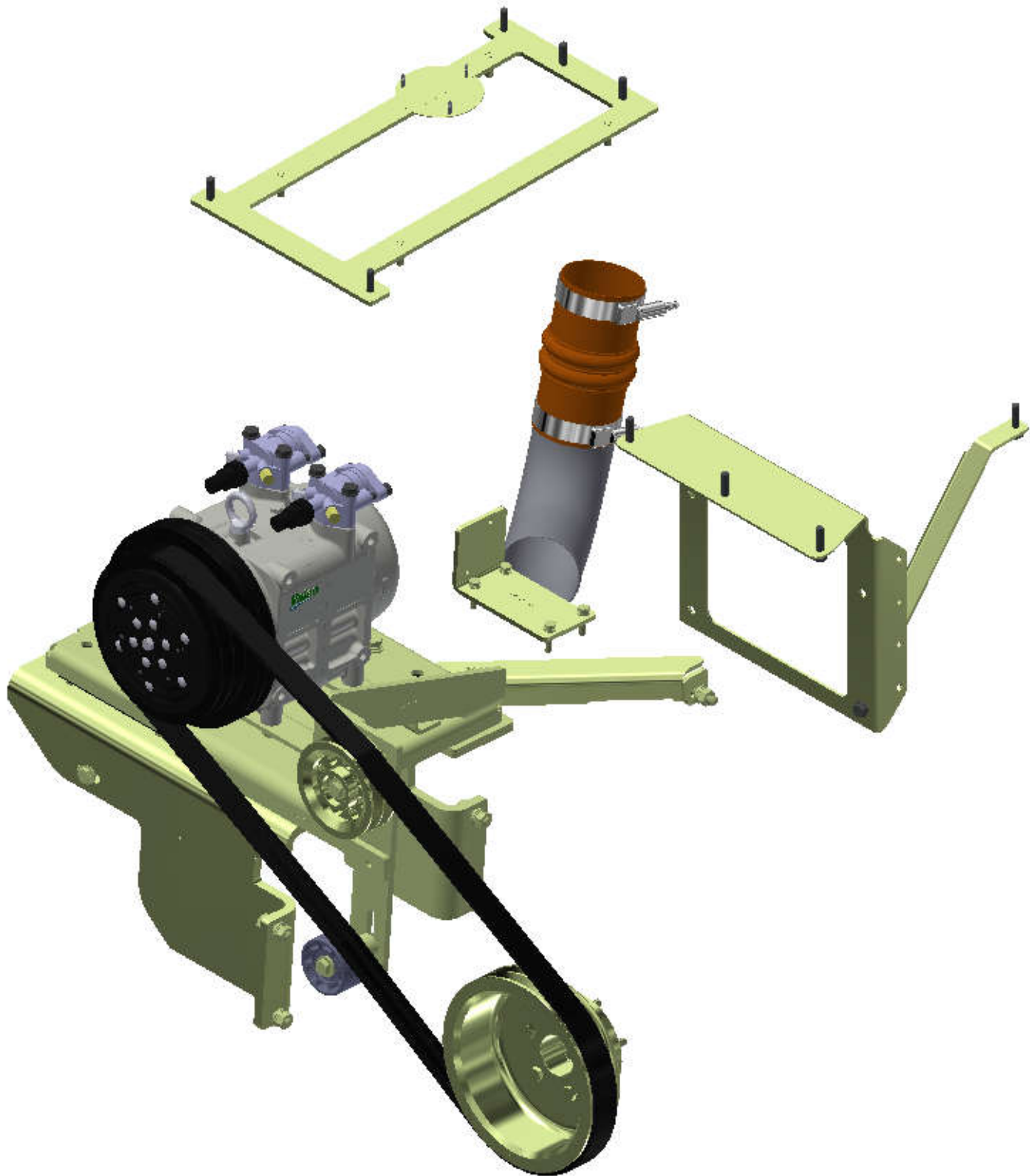
DWG NO
KBT65501

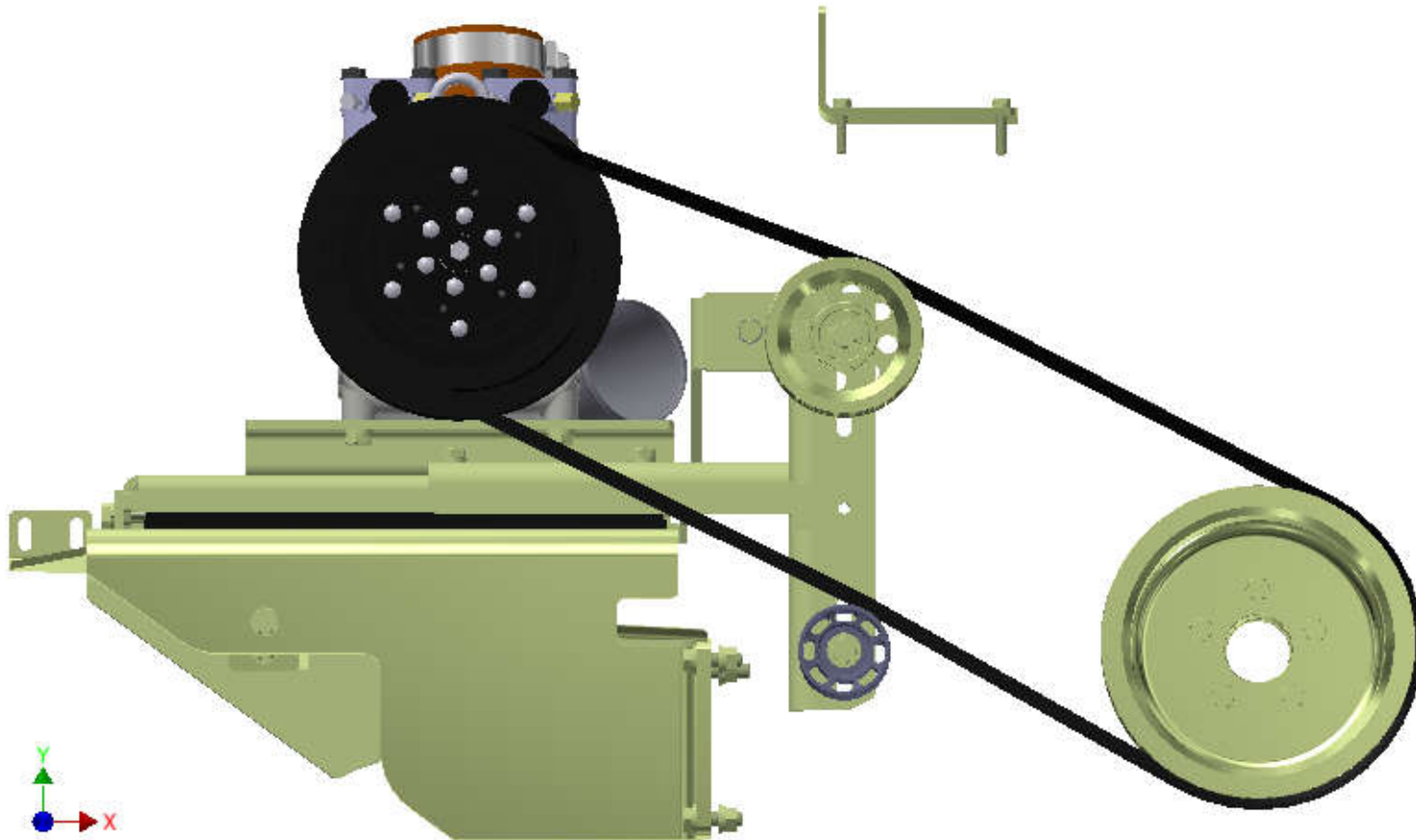
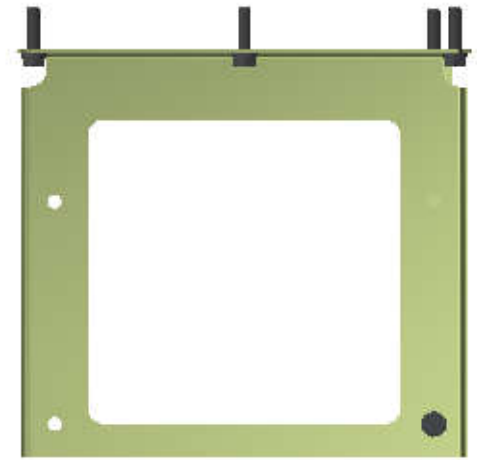
REV
0

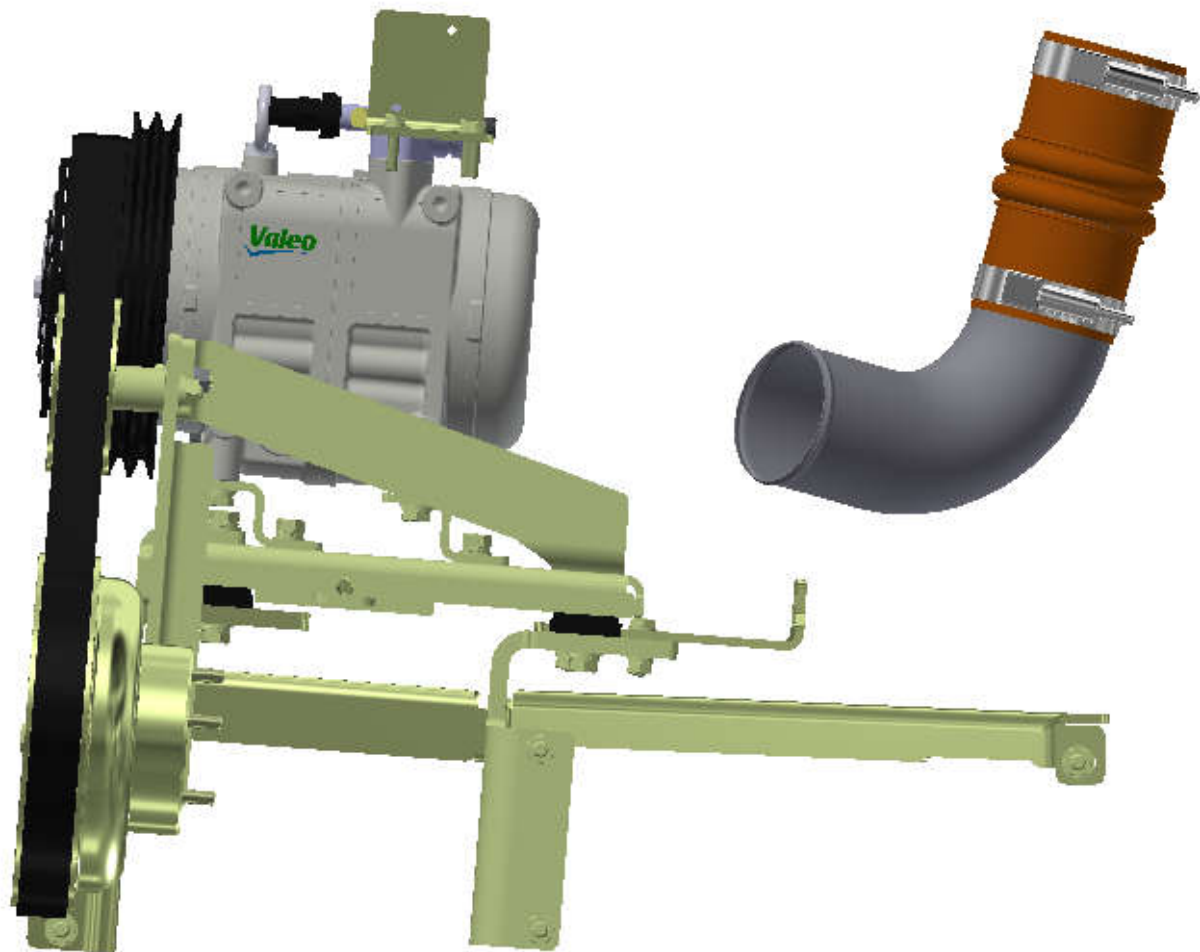
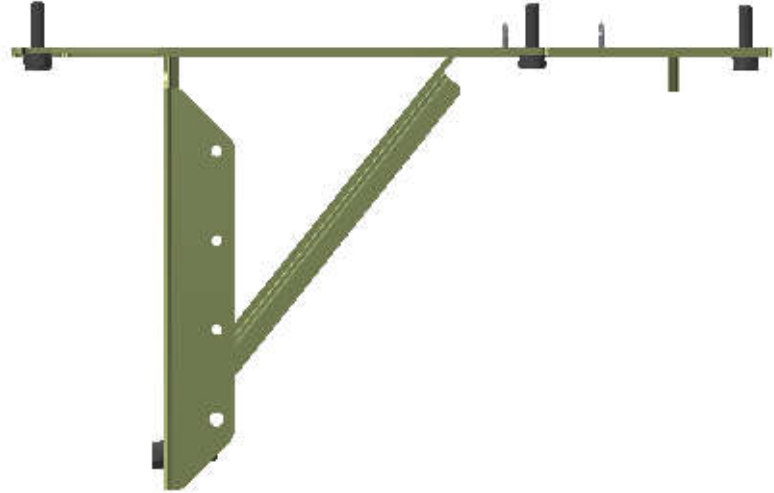
0	-	RELEASED TO PRODUCTION	8/8/2016	JRR
REV	ECN	DESCRIPTION	DATE	BY
THIS DRAWING CONTAINS PROPRIETARY CONFIDENTIAL INFORMATION OWNED BY TRANSARCTIC CANADA INC. THE DOCUMENT AND THE INFORMATION IN IT ARE NOT TO BE USED, DISCLOSED OR REPRODUCED WITHOUT EXPRESS WRITTEN PERMISSION OF THE COMPANY.				
UNSPECIFIED TOLERANCES: (ALT. DIM.)				
ONE DECIMAL PLACE (.X)	MM	(.020)	(.001)	
TWO DECIMAL PLACE (.XX)	MM	.25	(.010)	
THREE DECIMAL PLACE (.XXX)	MM	.10	(.005)	
FRACTIONAL +/- 1/32"	ANGULAR	+/- .50°		
THIRD ANGLE PROJECTION				
DRAWING UNIT OF MEASURE: MM (INCH)				

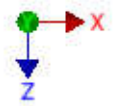
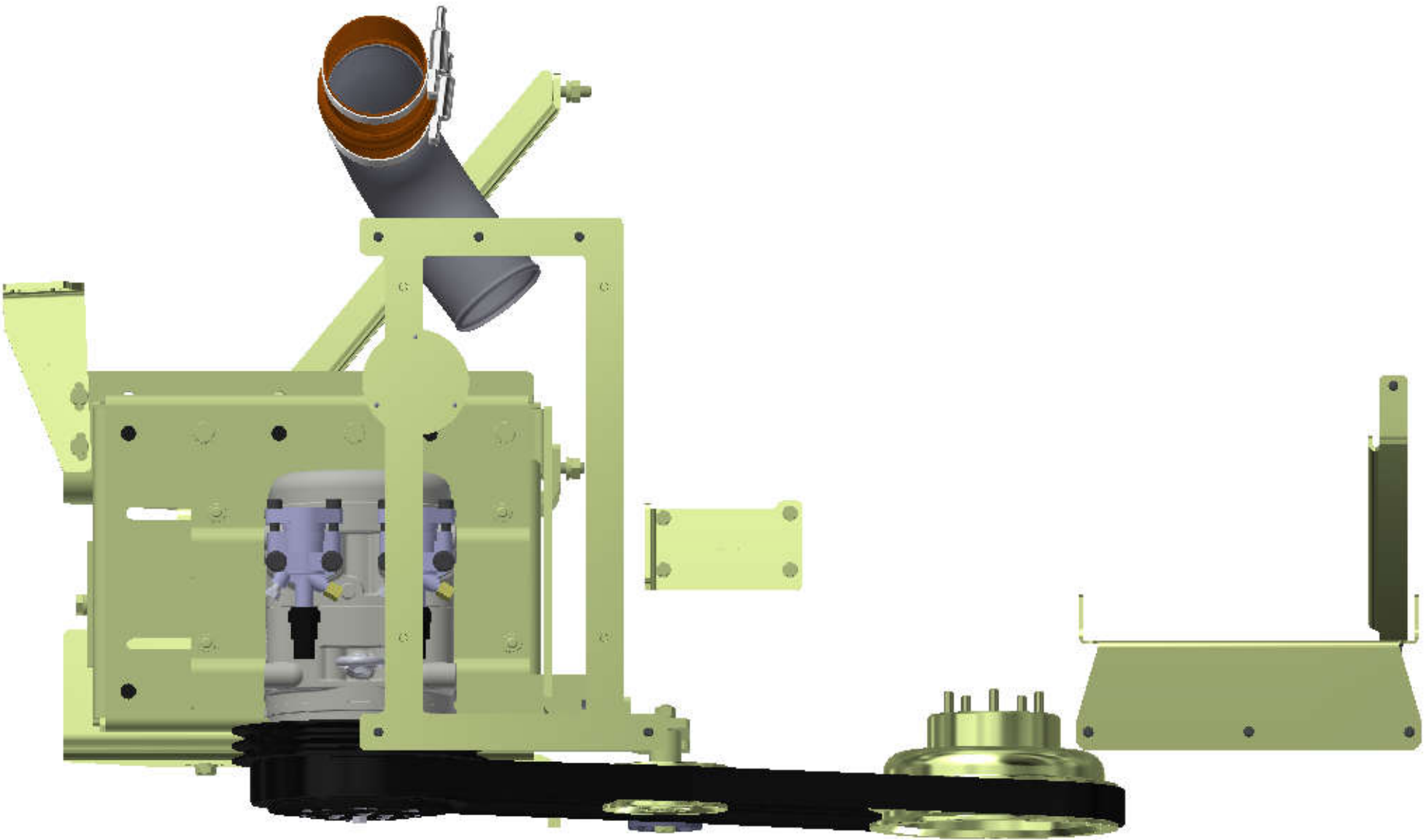
NOTES:

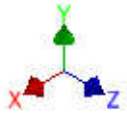
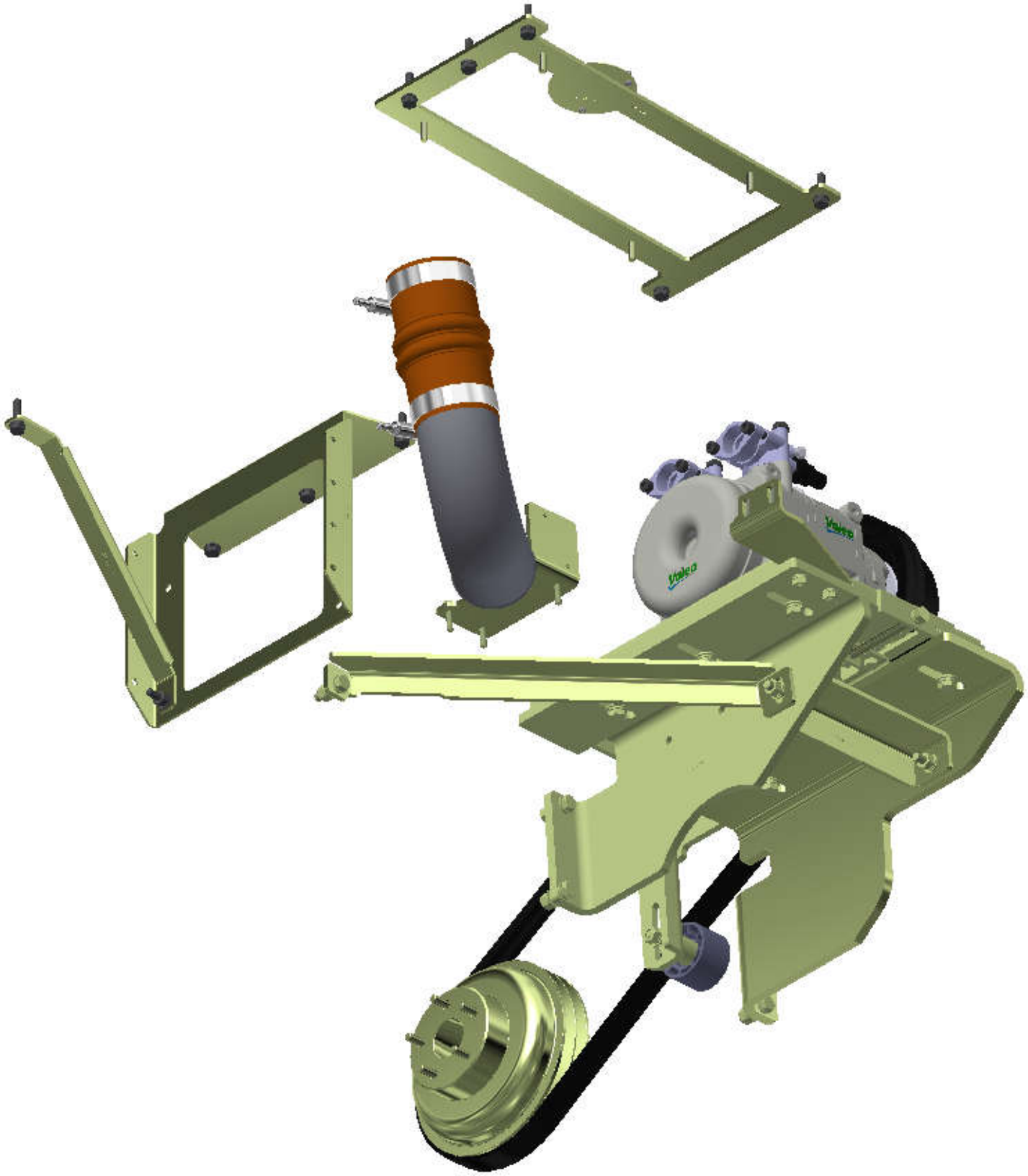
- 1) USE SERVICABLE THREADLOCKER ON ALL FASTENERS TO ENGINE COMPONENTS AND TORQUE **ALL** BOLTS TO S.A.E. SPECIFICATIONS.
- 2) SEE "TRANSARCTIC A/C COMPRESSOR MOUNT INSTALLATION DISCLAIMER".
- 3) WEIGHT: 16.47 LBS.











TransArctic A/C Compressor Mount Installation Disclaimer

All compressor mounts should be installed by qualified and trained personnel using proper tools and equipment in safe working conditions following industry standard guidelines for motor vehicle service and repair.

The installer of any compressor mount purchased from TransArctic must undertake all responsibility of issues arising from that compressor bracket being installed on any vehicle. As well as insure that a **proper and sufficient ground** is established between the compressors' clutches and the vehicle's engine. Mount functionality, operation and durability can all be compromised by an incompetent installation.

Due to the many different situations, parameters and application criteria, which are beyond the compressor mount manufacturer's control, TransArctic does not warrant design, durability, or operational functionality of any compressor mount improperly installed by another party.

With no implied guarantees it is the mount installer's strict responsibility to determine safety and functionality, of the compressor mount, at the time of installation.

Please contact TransArctic with any issue arising from installation so we may better improve the product. If you have any reservations about the compressor mount integrity contact TransArctic immediately at 1-877-COLD-AIR.

Mark OEM tensioner location

Install Kit

Check for Interferences

Check to ensure that the proper OEM tensioner orientation is maintained

Run engine with A/C system engaged for at least 10 minutes to run in belt

Check OEM tensioner orientation and adjust as required

Responsabilidad limitada de TransArctic en la instalación del soporte del compresor

Todos los soportes de los compresores deben ser instalados por personas calificadas y entrenadas, usando para ello los equipos y herramientas necesarios para esta labor en buenas condiciones y según las normas y guías para el servicio y/o reparación de motores de vehículos.

El instalador de los soportes comprados en TransArctic asume toda la responsabilidad de cualquier problema que surga en el soporte del compresor al vehículo; de igual manera es responsable que el cable a tierra sea conectado entre el embrague del compresor y el motor del vehículo.

Se advierte que el buen funcionamiento y la durabilidad del soporte pueden ser comprometidos por defectos en su instalación.

Debido a las diversas situaciones que se puedan presentar fuera del control del fabricante, TransArctic no garantiza el diseño, la durabilidad o el correcto funcionamiento de cualquier equipo inapropiadamente instalado por terceros.

Esta sobreentendido que el Instalador del montaje del compresor es estrictamente responsable de la seguridad y funcionamiento del equipo en el momento de la instalación.

Si tuviera algún problema o duda acerca de la instalación del soporte del compresor pongase en contacto inmediatamente con TransArctic al teléfono 1-877-COLD-AIR de modo que podamos mejorar nuestro producto.

Note la ubicación del medidor de tensión OEM

Instale el equipo

Controlar si hay interferencias.

Asegurese que el medidor de tensión mantenga la orientación justa.

Encienda el motor por lo menos 10 minutos con el sistema A/C enganchado para que la correa corra

Controle la orientación justa del medidor de tensión y ajuste a las condiciones requeridas del fabricante