

Bill of Materials Listing

TransArctic Canada Inc.

6/17/2022
Page 1 of 1

Product Number	Date	Description	Uof M	Weight	Yield		
Line	Qty	Component Prod#	Rev#	Description	Location	Unit	
KMC94131	04/25/17	1	1	Mt Kit, ISL, ICRE, 05G, Alt, '21		672.00	0
5	1	PAC39131		Pack, Carton, 39" x 13" x 16.25", 51 BC		each	
7	2	BEL11118		Belt, A gr, 1118mm (44") (17440)		each	
10	2	BEL21626		Belt, B gr, 1626mm (64") (BX61)		each	
20	1	BEL82096		Belt, 8gr, 2096mm (82.5") (5080825)		each	
30	1	BMC90047	0	Brk, Brace, Air Filter Box		each	
40	1	BMC90052	1	Brk, Reservoir Tank, Label, ICRE, '21		each	
50	1	BMN80109	2	Bkt, Jack Shaft, Cummins, ICRE, '21		each	
60	1	BMN80116	4	Bkt, Main, FRT, Weldmt, ICRE, '21		each	
70	1	BMN80119	4	Bkt, Main, RR, Weldmt, ICRE, '21		each	
80	1	BMN80123	1	Bkt, Main, Xbrace, ICRE, '21		each	
82	1	BMZ00114	0	Bkt, Frt, Brace, Weldmt, ICRE		each	
84	1	BMZ00118	0	Bkt, RR, Brace, Weldmt, ICRE		each	
88	2	CLP20002		Clamp, Cons/Torq, 13/16-1 3/4 (21/44mm)		each	
90	4	CLP72001		Clamp, Gear, #72, 3" - 5" (76.2/127mm)		each	
92	1	FTS16003		Ftg, Hose, 1", Elbow, 90 deg, Plastic		each	
100	2	HOA04530	0	Hose, Flex,CAC,Elb,Silicon,4.5 x 30d,BLU		each	
110	1	KAC94131	0	Kit, Platform, 05G, TILT, '21		each	
130	1	KBB00003	0	Mt Kit, Platform, Transit, ADM, '21		each	
140	1	KCB94131	0	Kit, Compressor, 24V, 05G, TILT, '21		each	
150	1	PUA84101	0	Pulley, Assy, Idler, P8/2B gr,7",STL,Pit		each	
160	1	KBC96631	0	Bag Kit, Fasteners, KMC96631/96531/94131		each	

Bill of Materials Listing

TransArctic Canada Inc.

6/17/2022
Page 1 of 1

Product Number	Date	Description	Uof M	Weight	Yield		
Line	Qty	Component Prod#	Rev#	Description	Location	Unit	
KBC96631	07/14/16	0		Bag Kit, Fasteners, KMC96631/96531/94131		4.73	0
10	6	BTC08035		Bolt, Hex, 8 x 1.25 x 35mm, 10.9, Plt,FT		each	
18	10	BTC10040		Bolt, Hex, 10 x 1.5 x 40mm, 10.9, Plt,FT		each	
20	4	BTC10060		Bolt, Hex, 10 x 1.5 x 60mm, 10.9, Plt		each	
40	1	BTC12030		Bolt, Hex, 12 x 1.75 x 30mm, 10.9, Plt		each	
50	1	BTC12120		Bolt, Hex, 12 x 1.75 x 120mm, 10.9, Plt		each	
60	2	BTC16070		Bolt, Hex, 16 x 2 x 70mm, 10.9, Plt		each	
70	6	BTQ08126		Bolt, Hex, 1/2-20unf, 1.25", 8, Plt		each	
80	4	CSF10046		Capscrew, FH, 10 x 1.5 x 45mm, 10.9,Plt		each	
90	12	NTA10000		Nut, Hex, 10 x 1.5, 8.8, Plt		each	
100	1	NTA12000		Nut, Hex, 12 x 1.75, 8.8, Plt		each	
110	2	NTA16000		Nut, Hex, 16 x 2, 8.8, Plt		each	
115	6	NTL10001		Nut, Lock, Hex, Nylon, M10 x 1.5, 8.,Plt		each	
120	6	WFA08000		Washer, Flat, 8mm, 8.8, Plt		each	
130	10	WFA10000		Washer, Flat, 10mm, 8.8, Plt		each	
140	12	WFA10002		Washer, Flat, 10mm, Hvy, 8.8, Plt		each	
150	2	WFA12002		Washer, Flat, 12mm, Hvy, 8.8, Plt		each	
160	4	WFA16000		Washer, Flat, 16mm, 8.8, Plt		each	
170	6	WFQ08000		Washer, Flat, 1/2", 8, Plt		each	
180	1	WFS12001	1	Washer, Flat, Step, 12mm, 69.85, Plt		each	
190	6	WLA08000		Washer, Lock, 8mm, 8.8, Plt		each	
200	12	WLA10000		Washer, Lock, 10mm, 8.8, Plt		each	
210	2	WLA12000		Washer, Lock, 12mm, 8.8, Plt		each	
220	2	WLA16000		Washer, Lock, 16mm, 8.8, Plt		each	
230	6	WLQ08000		Washer, Lock, 1/2", 8, Plt		each	

Bill of Materials Listing

TransArctic Canada Inc.

11/5/2021
Page 1 of 1

Product Number	Date	Description		Uof M	Weight	Yield			
Line	Qty	Component	Prod#	Rev#	Description	Bin	Unit	Weight	Yield
KAC94131			11/5/2021	0	Kit, Platform, 05G, TILT, '21			8.65	0
10	2	BMT10011		0	Bkt, Tenr, Block, Offset, 3mm		each		
20	1	BMZ01082		0	BKT, ALT, BLOCK, 05G, TILT, '21		each		
30	1	PUL03321		1	Pulley, ALT, Idler, 3.25"d, 2A		each		
40	1	TRD08160			Threaded, Rod, 1/2-13unc x 16", 5, Plt		each		
50	1	KBA94131		0	Bag Kit, Fasteners, KAC94131		each		

Bill of Materials Listing

TransArctic Canada Inc.

11/5/2021
Page 1 of 1

Product Number	Date	Description			Uof M	Weight	Yield		
Line	Qty	Component	Prod#	Rev#	Description	Bin	Unit		
KBA94131		11/5/2021		0	Bag Kit, Fasteners, KAC94131			1.41	0
10	3	BTQ08100			Bolt, Hex, 1/2-13unc, 1.00", 8, Plt		each		
20	2	BTQ08150			Bolt, Hex, 1/2-13unc, 1.5", 8, Plt		each		
30	1	BTQ08653			Bolt, Hex, 1/2-13unc, 6.5", 8, Plt		each		
40	6	NTQ08000			Nut, Hex, 1/2-13unc, 8, Plt		each		
50	5	WFQ08000			Washer, Flat, 1/2", 8, Plt		each		
60	8	WLQ08000			Washer, Lock, 1/2", 8, Plt		each		

Bill of Materials Listing

TransArctic Canada Inc.

9/7/2021
Page 1 of 1

Product Number	Date	Description			Uof M	Weight	Yield
Line	Qty	Component	Prod#	Rev#	Description	Bin	Unit
KBB00003	6/20/2012	0 MT KIT, PLATFORM, TRANSIT, ADM, '21				847.29	0
10	1	BMZ01034			2 Bkt, Spring, Support Arm, ADM, '12		each
20	1	BMZ01070			0 Bkt, Main, Pivot, Ass'y, 05G,Transit,'21		each
30	1	BMZ01037			2 Bkt, Fork, Knuckle-Joint, Adm, '12		each
40	1	BMZ00043			3 Bkt, Main, Base Pl, '13		each
50	1	BMZ01040			0 Bkt, Ass'y, THRD Rod, Isolator, ADM, '12		each
60	2	BMZ01041			2 Shaft Key, 5/16" SQ x .540" Long		each
70	2	BMN80008			1 Vibration Isolator, Bar, 16.50 x 2 x 1.50		each
71	1	BMN80025			0 Bkt, Back, PL, Slide, IC, RE300		each
72	1	BMN80104			0 Bkt, Main, Slide, Assy, ICRE		each
80	1	BMZ01072			0 Bkt, Assy, Cradle, Pivot, 05G,Transit,21		each
110	1	PIS01010			2 Shaft, Stl, Grease, ADM Transit, '12		each
120	1	SPR00002			0 Spring, Comp, R/H, 110 x 50 x 8.4, Red		each
130	1	WFS16001			0 Washer, Flat, Dbl Step, 17mm, 50mm, Plt		each
140	1	WFS27001			0 Washer, Flat, Dbl Step, 27mm, 63.5, Plt		each
150	1	KBB00027			0 Bag Kit, Fasteners, Spring Assy,KBB00003		each
160	1	KBB00028			0 Bag Kit, Fasteners, Pivot Assy, KBB00003		each

NOTE:

Use Blue "Loctite" on the (4) fasteners to fasten BMZ01034 in place.
 1/2 -13 UNC grd. 8 bolts, c/w L'whrs torque... used on the PIS01010 Shaft
 = 45 FT*LBS. (/VTS@ JAN-25-2019)

Bill of Materials Listing

TransArctic Canada Inc.

9/9/2021
Page 1 of 1

Product Number	Date	Description		Uof M	Weight	Yield			
Line	Qty	Component	Prod#	Rev#	Description	Bin	Unit	Weight	Yield
KBB00027		8/1/2012		0	Bag Kit, Fasteners, Spring Assy,KBB00003			1.38	0
10	5	BTQ08150			Bolt, Hex, 1/2-13unc, 1.5", 8, Plt		each		
20	1	BTQ10351			Bolt, Hex, 5/8-18unf, 3.5", 8. PLT		each		
30	5	NTQ08000			Nut, Hex, 1/2-13unc, 8, Plt		each		
50	2	NTQ10000			Nut, Hex, 5/8-11unc, 8, Plt		each		
60	1	NTQ10001			Nut, Hex, 5/8-18unf, 8, Plt		each		
70	2	WFQ08000			Washer, Flat, 1/2", 8, Plt		each		
80	2	WFQ10000			Washer, Flat, 5/8", 8, Plt		each		
110	1	WLQ08000			Washer, Lock, 1/2", 8, Plt		each		
120	2	WLQ10000			Washer, Lock, 5/8", 8, Plt		each		

Bill of Materials Listing

TransArctic Canada Inc.

9/7/2021
Page 1 of 1

Product Number	Date	Description	Uof M	Weight	Yield	
Line	Qty	Component Prod#	Rev#	Bin	Unit	
KBB00028	8/1/2012	0 Bag Kit, Fasteners, Pivot Assy, KBB00003			115.26	0
10	1	BTM08100	0		Bolt, 1/2-13 x 1.0" w/ Grease Nipple FTG	each
20	1	BTP08653			Bolt, Hex, 1/2-13unc, 6.5", 5, Plt, FT	each
30	1	BTQ08100			Bolt, Hex, 1/2-13unc, 1.00", 8, Plt	each
40	3	BTQ08101			Bolt, Hex, 1/2-20unf, 1.00", 8, Plt	each
50	3	CSF08076			Capscrew, FH, 1/2-20unf x .75",Alloy,Plt	each
60	4	NTP07000			Nut, Hex, 7/16-14unc, 5, Plt	each
70	4	WFN07000			Washer, Flat, 7/16", 2, Plt	each
80	3	WFQ08000			Washer, Flat, 1/2", 8, Plt	each
90	2	WFS08001			Washer, Flat, 1/2", 8, USS, Plt	each
100	4	WLP07000			Washer, Lock, 7/16", 5, Plt	each
110	6	WLQ08000			Washer, Lock, 1/2", 8, Plt	each

Bill of Materials Listing

TransArctic Canada Inc.

11/4/2021
Page 1 of 1

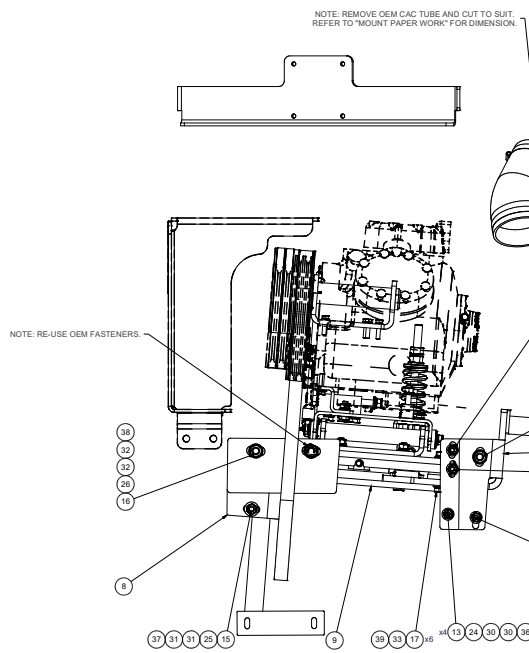
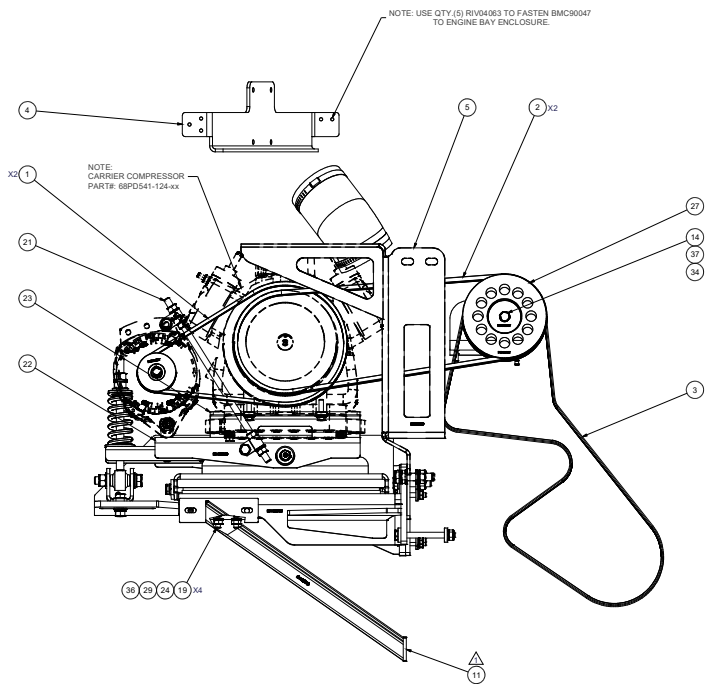
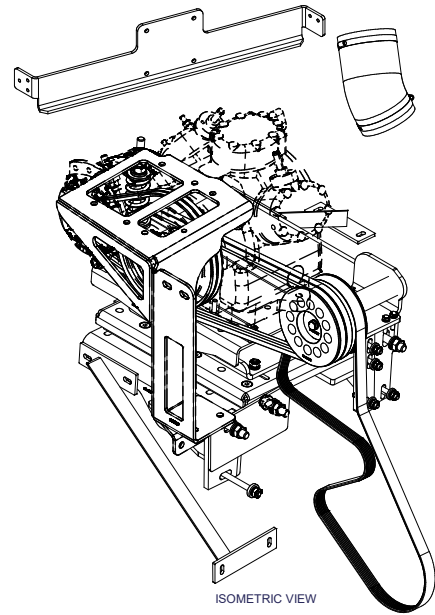
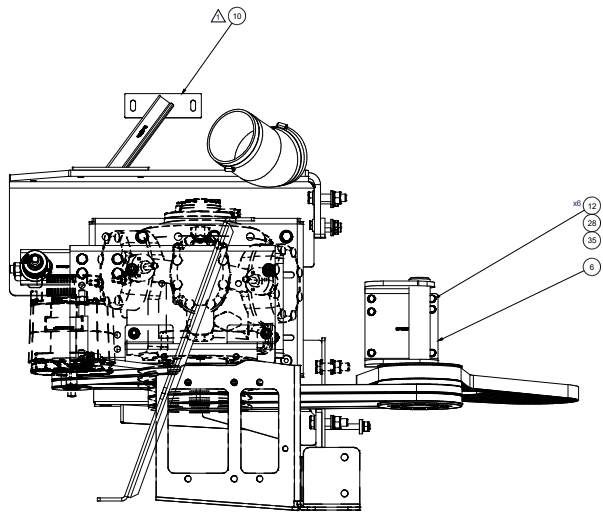
Product Number	Date	Description		Uof M	Weight	Yield	
Line	Qty	Component Prod#	Rev#	Description	Bin	Unit	
KCB94131	11/4/2021	0	0	Kit, Compressor, 24V, 05G, TILT, '21		8.21	0
10	1	BMN80106	0	Bkt, O5G, Comp, FRT, Z, ICRE, '21		each	
20	2	SCD29213	0	Spacer, Col, Drl,29.21mm x 25.4o x 12.7i		each	
30	1	KBZ94131	0	Bag Kit, Fasteners, KCB94131		each	

Bill of Materials Listing

TransArctic Canada Inc.

11/4/2021
Page 1 of 1

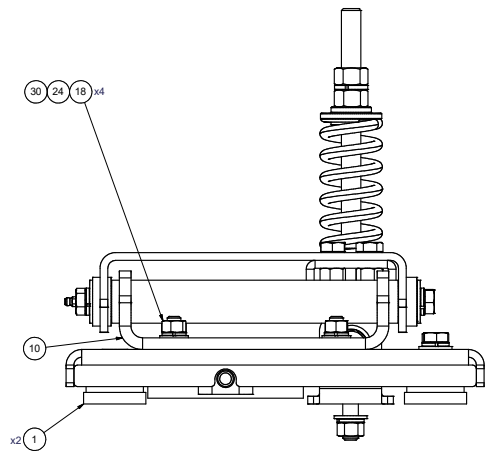
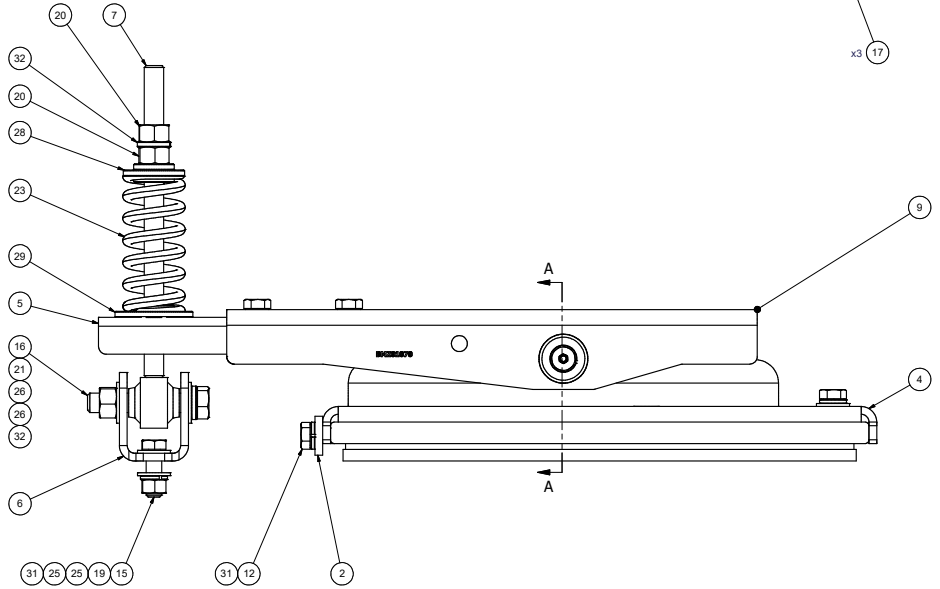
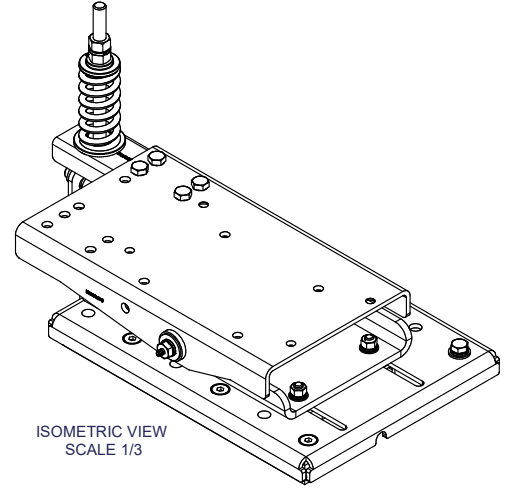
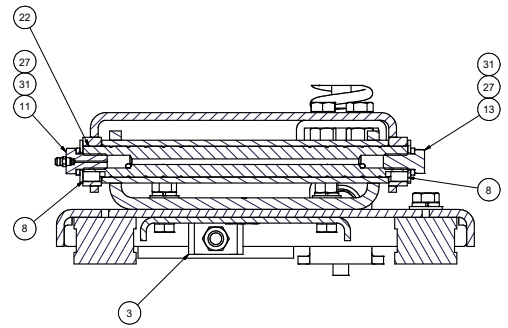
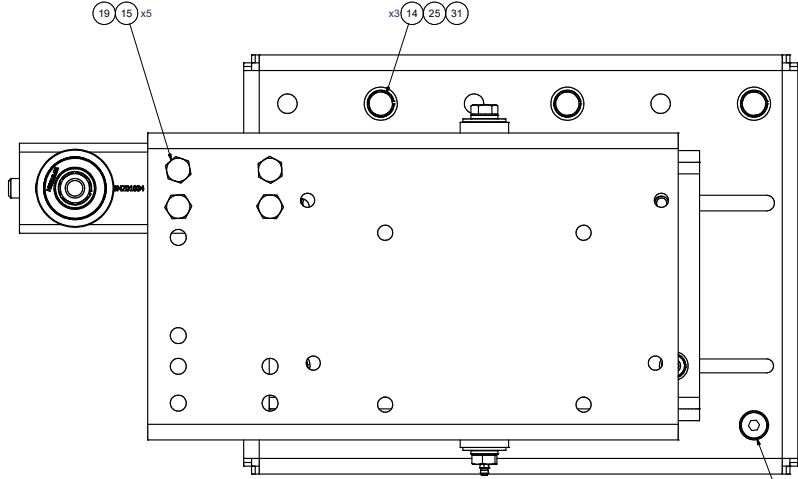
Product Number	Date	Description		Uof M	Weight	Yield			
Line	Qty	Component	Prod#	Rev#	Description	Bin	Unit	Weight	Yield
KBZ94131			11/4/2021	0	Bag Kit, Fasteners, KCB94131			0.63	0
10	2	BTQ06150			Bolt, Hex, 3/8-16unc, 1.50", 8, Plt		each		
20	2	BTQ07125			Bolt, Hex, 7/16-14unc, 1.25", 8, Plt		each		
30	2	CSF07300			Capscrew, FH,7/16-14unc x 3",Alloy,Plt		each		
40	4	NTP07000			Nut, Hex, 7/16-14unc, 5, Plt		each		
50	2	WFN06000			Washer, Flat, 3/8", 2, Plt		each		
60	4	WFQ07000			Washer, Flat, 7/16", 8, Plt		each		
70	2	WLP06000			Washer, Lock, 3/8", 5, Plt		each		
80	4	WLP07000			Washer, Lock, 7/16", 5, Plt		each		



NOTES:
 1) USE SERVICABLE THREADLOCKER ON ALL FASTENERS TO ENGINE COMPONENTS AND TORQUE ALL BOLTS TO S.A.E. SPECIFICATIONS.
 2) SEE "TRANSARCTIC A/C COMPRESSOR MOUNT INSTALLATION DISCLAIMER".

ITEM	QTY	U/M	PART NUMBER	DESCRIPTION
39	6	EACH	WLQ08000	WASHER, LOCK, 1/2", 8, PLT
38	2	EACH	WLA15000	WASHER, LOCK, 16mm, 8.8, PLT
37	2	EACH	WLA12000	WASHER, LOCK, 12mm, 8.8, PLT
36	8	EACH	WLA10000	WASHER, LOCK, 10mm, 8.8, PLT
35	6	EACH	WLA8000	WASHER, LOCK, 8mm, 8.8, PLT
34	1	EACH	WFS12001	WASHER, FLAT, STEP, 12mm, 69.85, PLT
33	6	EACH	WFC00000	WASHER, FLAT, 1/2", 8, PLT
32	4	EACH	WFA16000	WASHER, FLAT, 16mm, 8.8, PLT
31	2	EACH	WFA12002	WASHER, FLAT, 12mm, HVY, 8.8, PLT
30	8	EACH	WFA10002	WASHER, FLAT, 10mm, HVY, 8.8, PLT
29	4	EACH	WFA10000	WASHER, FLAT, 10mm, 8.8, PLT
28	6	EACH	WFA8000	WASHER, FLAT, 8mm, 8.8, PLT
27	1	EACH	PLA84101	PULLEY, ASSY, IDLER, 90/28 9/2" STL,PLT
26	2	EACH	NTA16000	NUT, HEX, 16 x 2, 8.8, PLT
25	1	EACH	NTA12000	NUT, HEX, 12 x 1.75, 8.8, PLT
24	8	EACH	NTA10000	NUT, HEX, 10 x 1.5, 8.8, PLT
23	1	EACH	KCB94131	KIT, COMPRESSOR, 24V, OSG, TILT, '21
22	1	EACH	KBB00003	MT KIT, PLATFORM, TRANSIT, ADM, '21
21	1	EACH	KAC94131	ALT, KIT, BASE, ICG, TILT, '21
20	1	EACH	HDA4530	HOSE, FLEX, CAC, ELB, SILICON, 4.5 X 30 DEG, BLU
19	4	EACH	CSF10046	CAPSCREW, FH, 10 x 1.5 x 45mm, 10.9, PLT
18	2	EACH	CJ72301	CLAMP, GEAR, 472, 3" 5/8" (75.3/127mm)
17	6	EACH	BTQ08126	BOLT, HEX, 1/2-20xNF x 1.25, 8, PLT
16	2	EACH	BTC16070	BOLT, HEX, 16 x 2 x 70mm, 10.9, PLT
15	1	EACH	BTC12120	BOLT, HEX, 12 x 1.75 x 120mm, 10.9, PLT
14	1	EACH	BTC12030	BOLT, HEX, 12 x 1.75 x 30mm, 10.9, PLT
13	4	EACH	BTC10060	BOLT, HEX, 10 x 1.5 x 60mm, 10.9, PLT
12	6	EACH	BTC08035	BOLT, HEX, 8 x 1.25 x 35mm, 10.9, PLT
11	1	EACH	BM200118	BKT, FR, BRACE, WELDMT, ICRE
10	1	EACH	BM200114	BKT, FR, BRACE, WELDMT, ICRE
9	1	EACH	BMN80123	BKT, MAIN, XBRACE, ICRE, '21
8	1	EACH	BMN80119	BKT, MAIN, RS, WELDMT, ICRE, '21
7	1	EACH	BMN80116	BKT, MAIN, FRT, WELDMT, ICRE, '21
6	1	EACH	BMN80109	BKT, JACK SHAFT, CUMMINS, ICRE, '21
5	1	EACH	BMK30052	BRK, RESERVOIR TANK, LABEL, ICRE, '21
4	1	EACH	BMK30047	BRK, BRACE, AIR FILTER BOX
3	1	EACH	BE82096	BELT, Sgr, 2096mm (82.5")
2	2	EACH	BE21426	BELT, 8 GR, 150mm (60"/1966)
1	2	EACH	BEL11092	BELT, A gr, 1092mm (43") (17430)

DRAWN: vjakowlew DATE: 11/03/21
 CHECKED: [Signature] DATE: 11/03/21
 REV ECN DESCRIPTION DATE BY: 11/3/2021 James Stewart
 DATE: 11/03/21 Ron Ingram
 DATE: 11/03/21 Dale Mason
 TITLE: **MT KIT, ISL, ICRE, OSG, ALT, '21**
 SHEET 1 OF 1



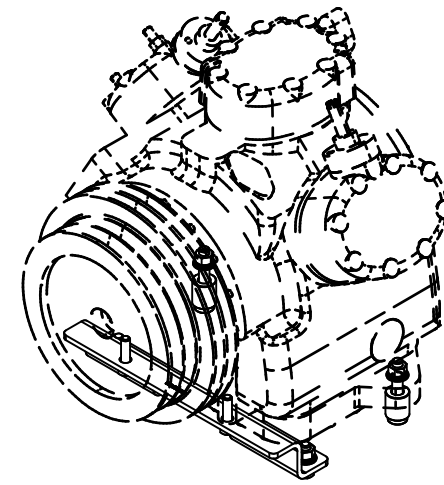
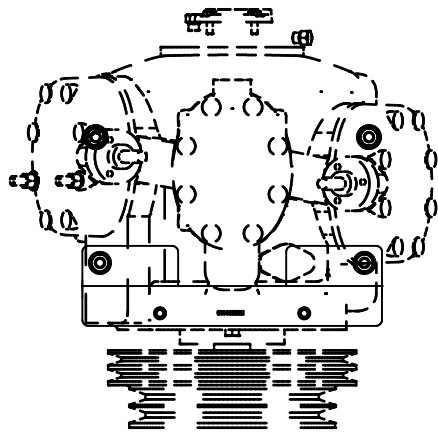
ITEM	QTY	U/M	PART NUMBER	DESCRIPTION
32	2	EACH	WLQ10000	WASHER, LOCK, 5/8", 8, PLT
31	7	EACH	WLQ08000	WASHER, LOCK, 1/2", 8, PLT
30	4	EACH	WLP07000	WASHER, LOCK, 7/16", 5, PLT
29	1	EACH	WFS27001	WASHER, FLAT, DBL STEP, 28mm, 63.5, PLT
28	1	EACH	WFS16001	WASHER, FLAT, DBL STEP, 16mm, 50mm, PLT
27	2	EACH	WFS08001	WASHER, FLAT, 1/2", 8, USS, PLT
26	2	EACH	WFO10000	WASHER, FLAT, 5/8", 8, PLT
25	5	EACH	WFO08000	WASHER, FLAT, 1/2", 8, PLT
24	4	EACH	WFO07000	WASHER, FLAT, 7/16", 2, PLT
23	1	EACH	SPR00002	SPRING, COMP, R/H, 110 x 50 x 8.4, RED
22	1	EACH	PIS01010	SHAFT, STL, GREASE, ADM TRANSIT, '12
21	1	EACH	NTQ10001	NUT, HEX, 5/8-18UNF, 8, PLT
20	2	EACH	NTQ10000	NUT, HEX, 5/8-11UNC, 8, PLT
19	5	EACH	NTQ08000	NUT, HEX, 1/2-13UNC, 8, PLT
18	4	EACH	NTPO7000	NUT, HEX, 7/16-14UNC, 5, PLT
17	3	EACH	CSF08076	CAPSCREW, FH, 1/2-20UNF x .75", ALLOY, PLT
16	1	EACH	BTQ010351	BOLT, HEX, 5/8-18UNF x 3.50, 8, PLT
15	5	EACH	BTQ08150	BOLT, HEX, 1/2-13UNC x 1.50, 8, PLT
14	3	EACH	BTQ08101	BOLT, HEX, 1/2-20UNF x 1.00, 8, PLT
13	1	EACH	BTQ08100	BOLT, HEX, 1/2-13UNC x 1.00, 5, PLT, FT
12	1	EACH	BTP08653	BOLT, HEX, 1/2-13UNC x 6.50, 5, PLT, FT
11	1	EACH	BTM08100	BOLT, 1/2-13 x 1.0" w/ GREASE NIPPLE FTG
10	1	EACH	BMZ01072	BKT, ASSY, CRADLE, PIVOT, 05G, TRANSIT, '21
9	1	EACH	BMZ01070	BKT, MAIN, PIVOT, ASSY, 05G, TRANSIT, '21
8	2	EACH	BMZ01041	Shaft Key, 5/16" SQ x .540" Long
7	1	EACH	BMZ01040	BKT, ASSY, THRD ROD, ISOLATOR, ADM, '12
6	1	EACH	BMZ01037	BKT, FORK, KNUCKLE-JOINT, ADM, '12
5	1	EACH	BMZ01034	BKT, SPRING, SUPPORT ARM, ADM, '12
4	1	EACH	BMZ00043	BKT, MAIN, BASE PL, '13
3	1	EACH	BMN80104	BKT, MAIN, SLIDE, ASSY, ICRE
2	1	EACH	BMN80025	BKT, BACK, PL, SLIDE, IC, RE300
1	2	EACH	BMN80008	VIBRATION ISOLATOR, BAR, 16.50 x 2 x 1.50

NOTES:
 1) USE SERVICABLE THREADLOCKER ON ALL FASTENERS TO ENGINE COMPONENTS AND TORQUE ALL BOLTS TO S.A.E. SPECIFICATIONS.
 2) SEE "TRANSARCTIC A/C COMPRESSOR MOUNT INSTALLATION DISCLAIMER".

REV	ECN	DESCRIPTION	DATE	BY	APPROVED
0		RELEASED TO PRODUCTION	3/25/2021	JRR	
1			3/25/2021	James Stewart	
2			3/25/2021	Dale Mason	

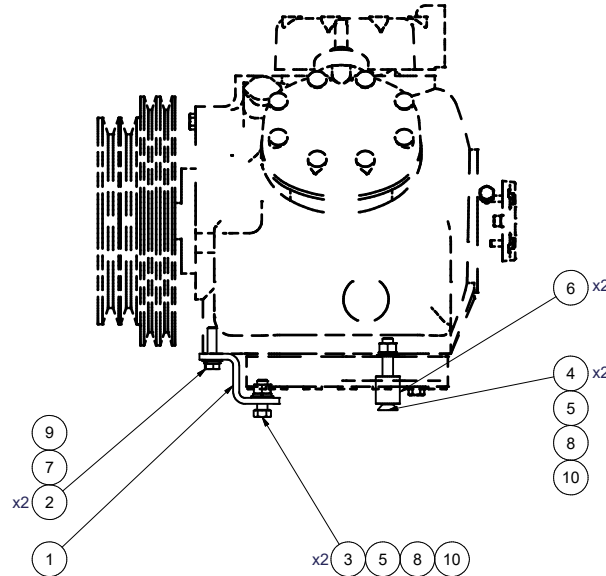
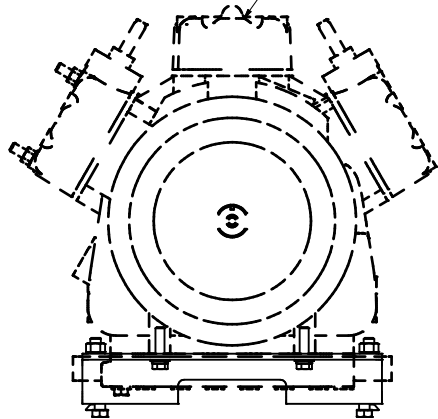
DRAWN: vjakowlew
 CHECKED: Jose Rodriguez
 DATE: 3/25/2021
 BY: James Stewart
 APPROVED: Dale Mason

TRANSARCTIC INC.
 TITLE: MT KIT, PLATFORM, TRANSIT, ADM, '21
 SIZE: D
 DWG NO: KBB00003
 SCALE: 1:2
 SHEET 1 OF 1



ISOMETRIC VIEW

NOTE:
REFERENCE
CARRIER COMPRESSOR (672cc)
PART#: 68PD541-124-xx



NOTES:

- 1) USE SERVICABLE THREADLOCKER ON ALL FASTENERS TO ENGINE COMPONENTS AND TORQUE **ALL** BOLTS TO S.A.E. SPECIFICATIONS.
- 2) SEE "TRANSARCTIC A/C COMPRESSOR MOUNT INSTALLATION DISCLAIMER".
- 3) WEIGHT: 4.57 LBS.

ITEM	QTY	U/M	PART NUMBER	DESCRIPTION
10	4	EACH	WLP07000	WASHER, LOCK, 7/16", 5, PLT
9	2	EACH	WLP06000	WASHER, LOCK, 3/8", 5, PLT
8	4	EACH	WFQ07000	WASHER, FLAT, 7/16", 8, PLT
7	2	EACH	WFN06000	WASHER, FLAT, 3/8", 2, PLT
6	2	EACH	SCD29213	SPACER, COL, DRL, 29.21mm x 25.4o x 12.7i
5	4	EACH	NTP07000	NUT, HEX, 7/16-14UNC, 5, PLT
4	2	EACH	CSF07300	CAPSCREW, FH, 7/16-14 x 3", 9, PLT
3	2	EACH	BTQ07125	BOLT, HEX, 7/16-14UNC, 1.25", 8, PLT
2	2	EACH	BTQ06150	BOLT, HEX, 3/8-16UNC, 1.50", 8, PLT
1	1	EACH	BMN80106	BKT, 05G COMP, FRT, Z, 1CRE, '21

BILL OF MATERIALS

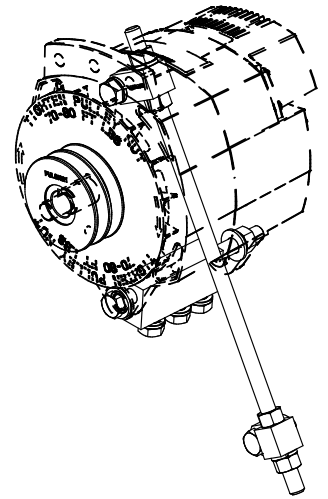
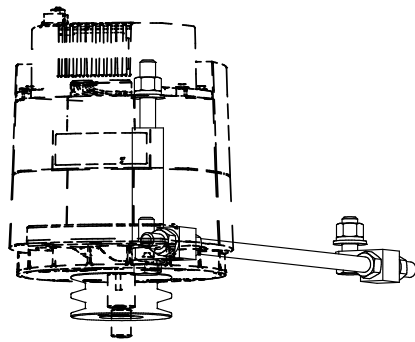
DRAWN	jrodriguez	11/4/2021
CHECKED	Jose Rodriguez	11/4/2021
REV:	ECN:	DESCRIPTION:
0		RELEASED TO PRODUCTION.
		DATE: 11/04/2021
		VALJ
		BY:
		James Stewart
		11/4/2021
		MFG
		James Stewart
		11/4/2021
		APPROVED
		Dale Mason
		11/4/2021

TRANSARCTIC INC.

TITLE
KIT, COMPRESSOR, 24V, O5G, TILT, '21

UNSPECIFIED TOLERANCES:		[ALT. DIM.]
ONE DECIMAL PLACE (X)	.50	[.020]
TWO DECIMAL PLACE (XX)	.25	[.010]
THREE DECIMAL PLACE (XXX)	.10	[.005]
FRACTIONAL -> 1/32"		ANGULAR -> .50°
THIRD ANGLE PROJECTION		

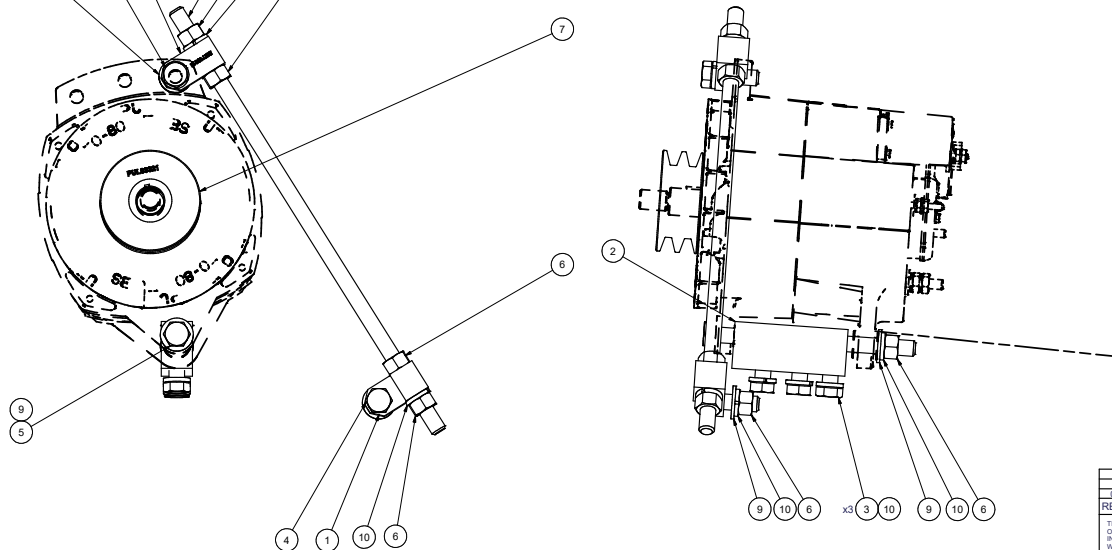
DRAWING UNIT OF MEASURE:	MM [INCH]	SCALE	1:4	DWG NO	KCB94131	REV	0
SHEET 1 OF 1							



ISOMETRIC VIEW

"SPACERS" BETWEEN ALTERNATOR AND ITEM# 1

x2 9 10 4 1 8 9 10 8



9 10 6 x3 3 10 9 10 6

- NOTES:**
- 1) USE SERVICABLE THREADLOCKER ON ALL FASTENERS TO ENGINE COMPONENTS AND TORQUE ALL BOLTS TO S.A.E. SPECIFICATIONS.
 - 2) SEE "TRANSARCTIC A/C COMPRESSOR MOUNT INSTALLATION DISCLAIMER".
 - 3) WEIGHT: 4.62 LBS.

ITEM	QTY	U/M	PART NUMBER	DESCRIPTION
10	8	EACH	IWLQ08000	WASHER, LOCK, 1/2", 8, PLT
9	5	EACH	WFC08000	WASHER, FLAT, 1/2", 8, PLT
8	1	EACH	TRD08150	THREADED, ROD, 1/2-13UNC x 1.6", 5 PLT
7	1	EACH	PULO3321	PULLEY, ALT, IDLER, 3.25"ø, 2A
6	6	EACH	NTQ08000	NUT, HEX, 1/2-13UNC, 8, PLT
5	1	EACH	BTQ08653	BOLT, HEX, 1/2-13UNC x 6.50, 8, PLT
4	2	EACH	BTQ08150	BOLT, HEX, 1/2-13UNC x 1.50, 8, PLT
3	3	EACH	BTQ08100	BOLT, HEX, 1/2-13UNC x 1.00, 8, PLT
2	1	EACH	BM201082	BKT, ALT, BLOCK, 05G, TILT, '21
1	2	EACH	BMT10011	BKT, TENR, BLOCK, OFFSET, 3mm

TRANSARCTIC INC.

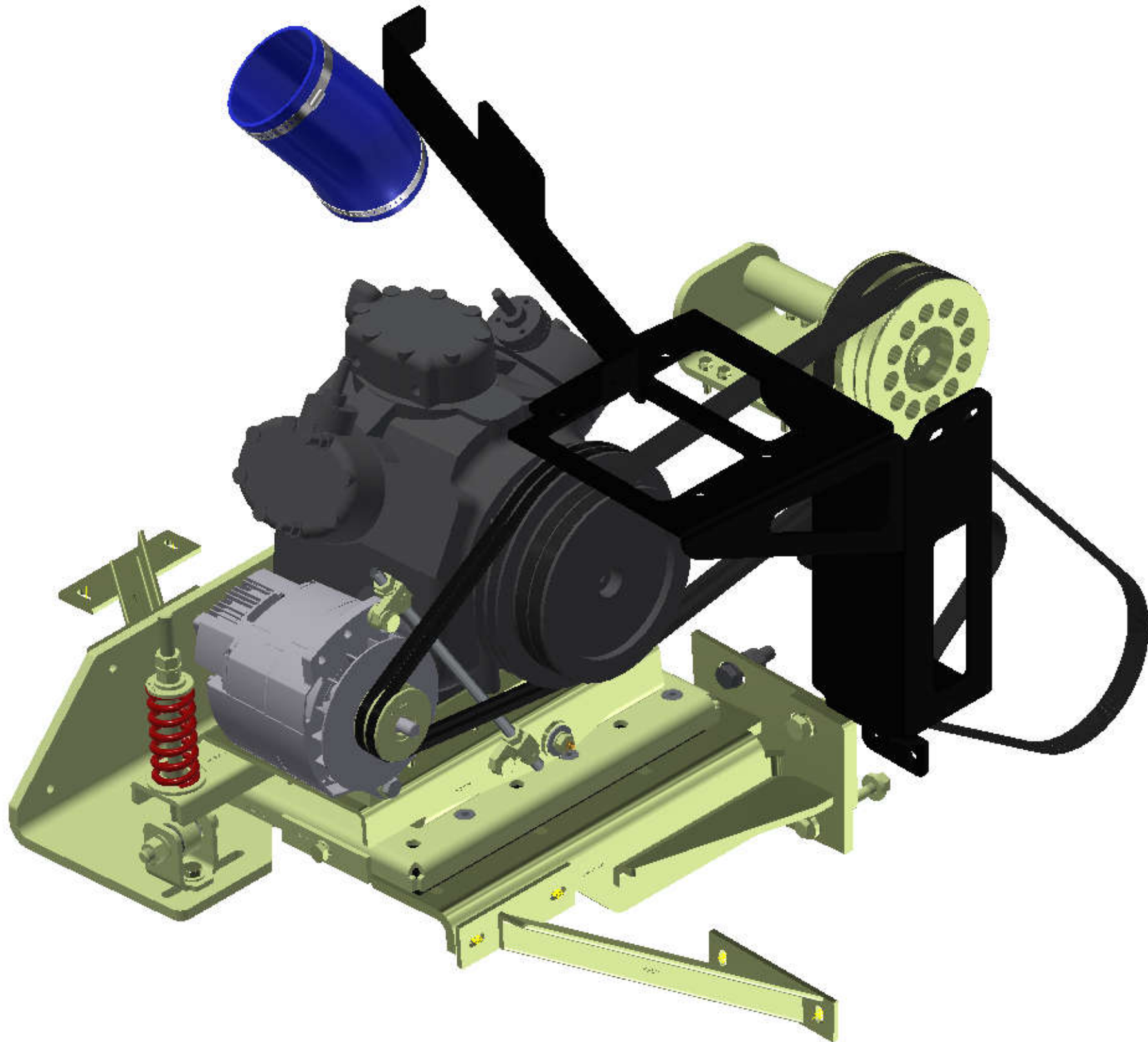
REV	ECN	DESCRIPTION	DATE	BY
0		RELEASED TO PRODUCTION	11/05/2021	VAL
				Jose Rodriguez
				OR
				James Stewart
				11/10/2011
				MPG
				James Stewart
				11/5/2021
				DALE
				Dale Mason
				11/5/2021

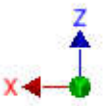
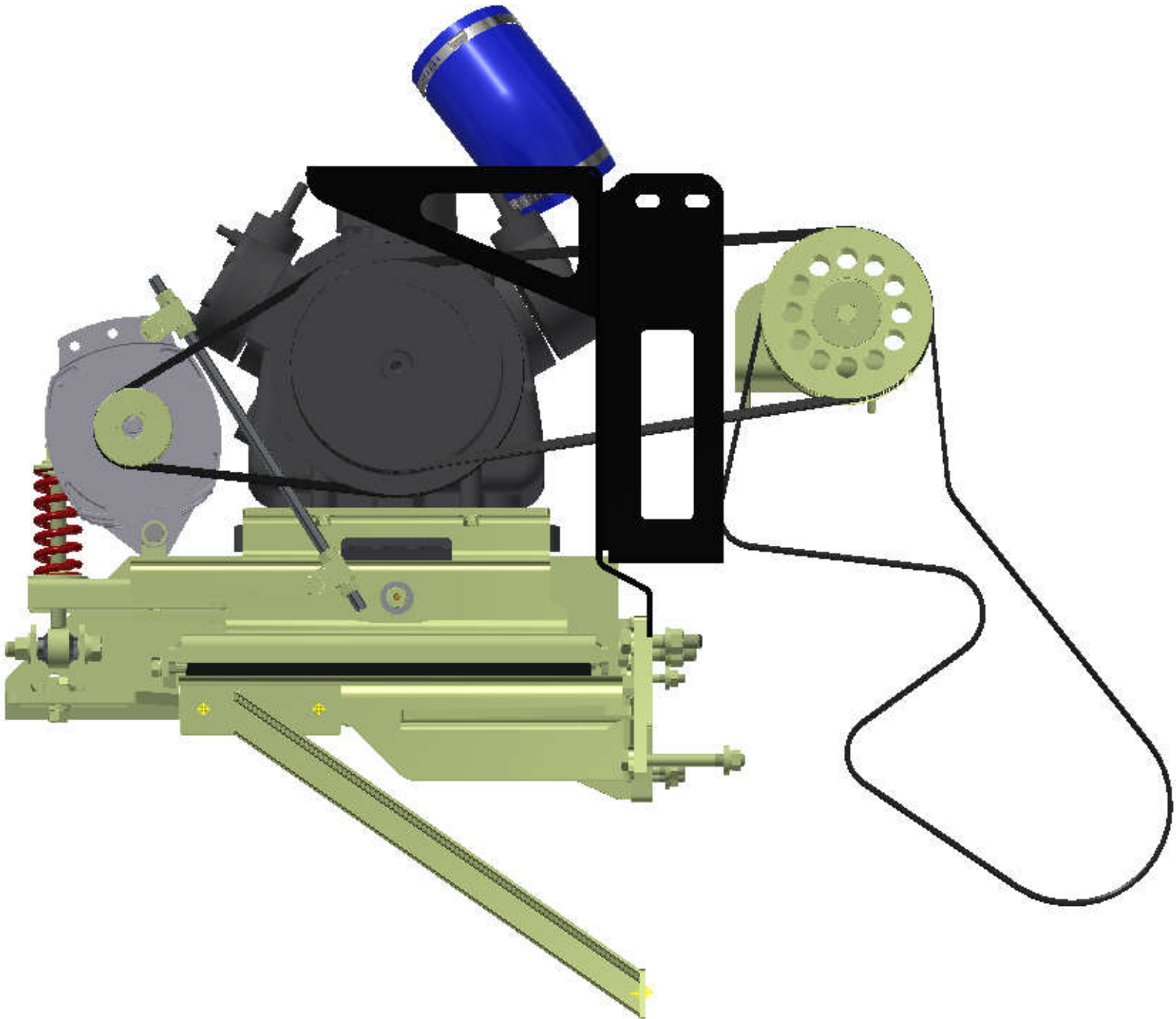
DRAWN		11/5/2021	
vjakowlew			
CHECKED		11/5/2021	
Jose Rodriguez			
OR			
James Stewart		11/10/2011	
MPG			
James Stewart		11/5/2021	
DALE			
Dale Mason		11/5/2021	
TITLE		ALT, KIT, BASE, 05G, TILT, '21	
SIZE		DWG NO	
D		KAC94131	
SCALE		1:2	
DRAWING UNIT OF MEASURE		MM (INCH)	
SHEET		1 OF 1	
REV		0	

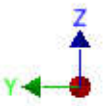
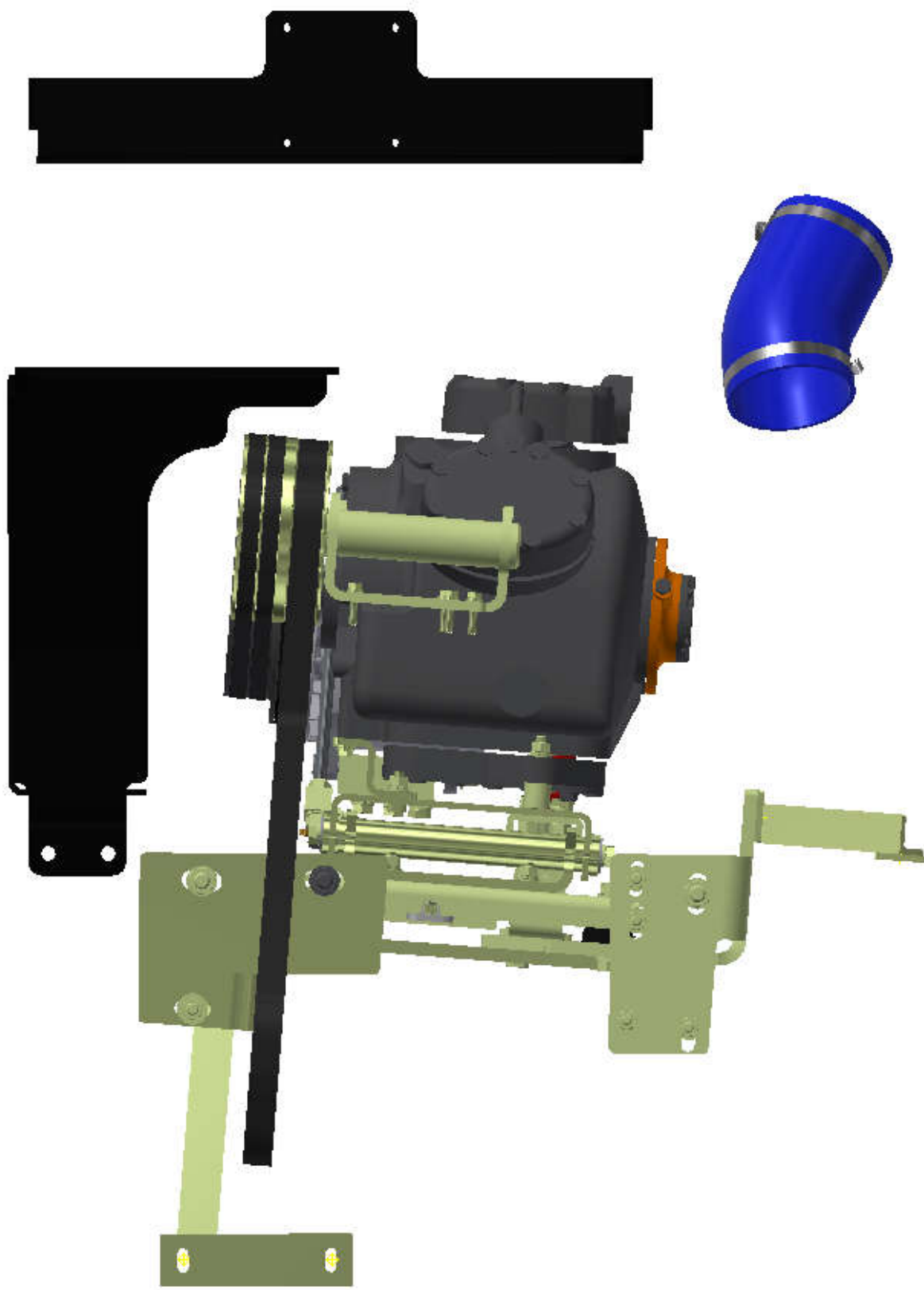
UNSPECIFIED TOLERANCES: ALL DIMS IN INCHES
 ONE DECIMAL PLACE (X1) .10
 TWO DECIMAL PLACE (X2) .02
 THREE DECIMAL PLACE (X3) .010
 FRACTIONAL (X1/2) 1/32

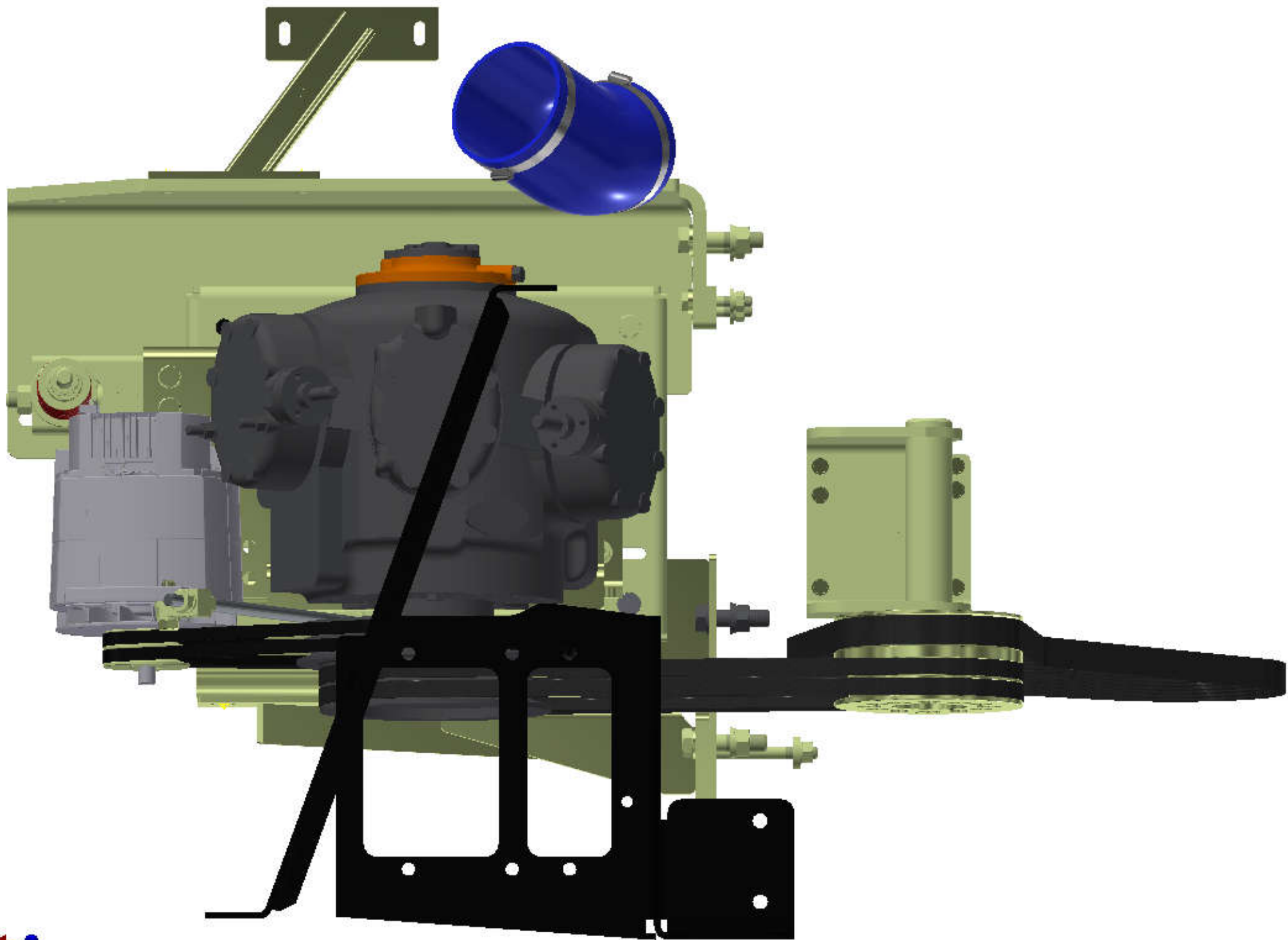


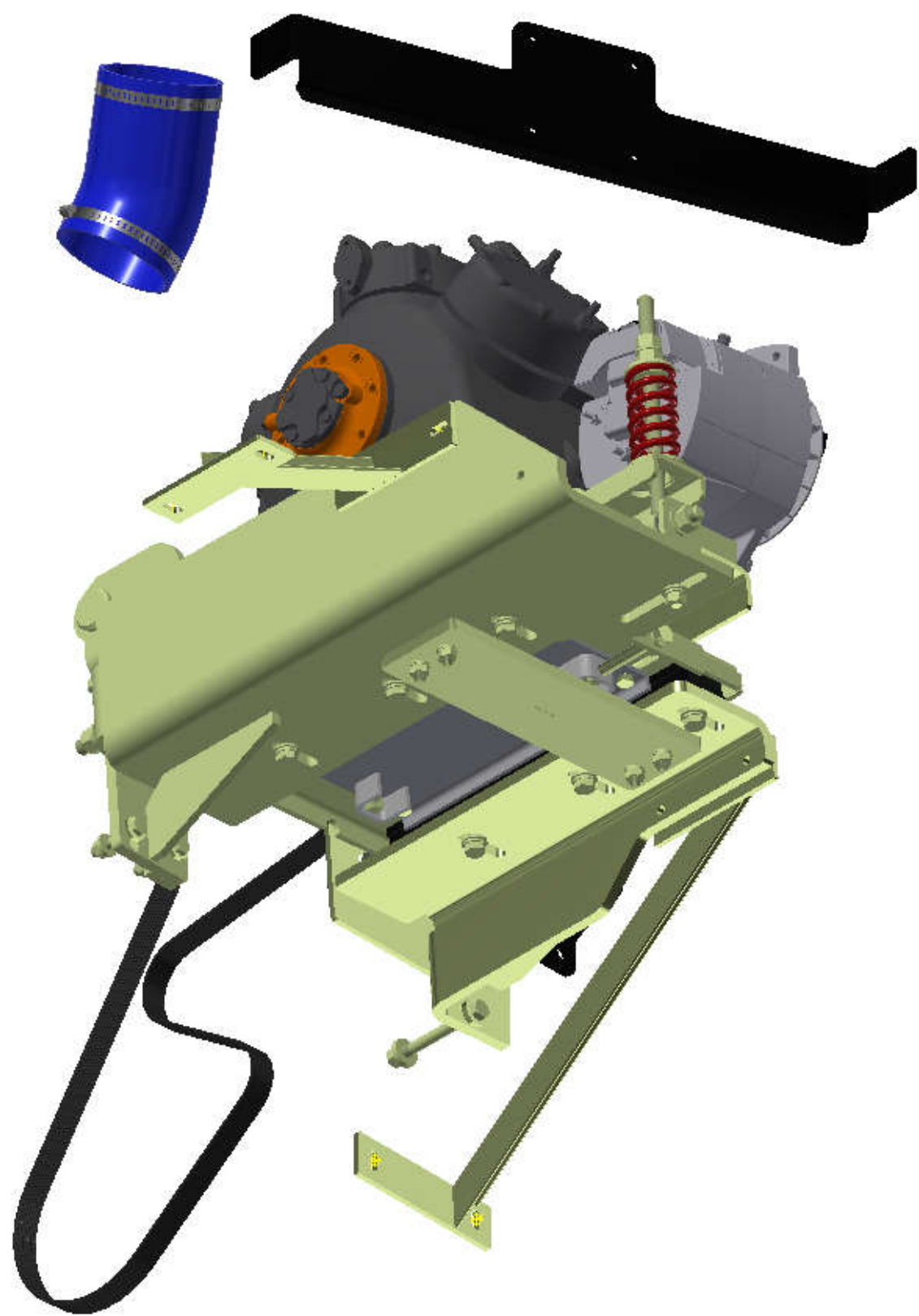
THIRD ANGLE PROJECTION

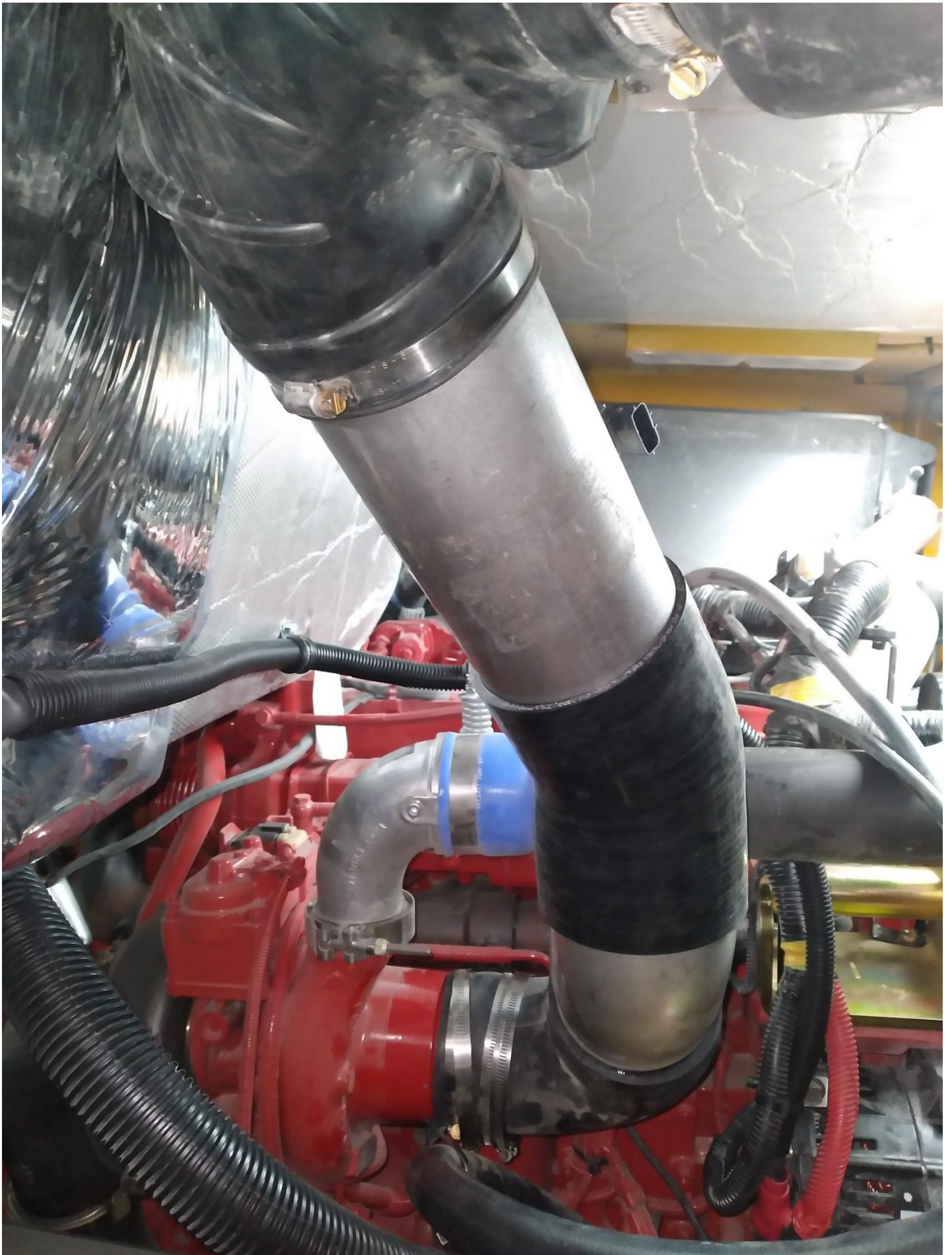




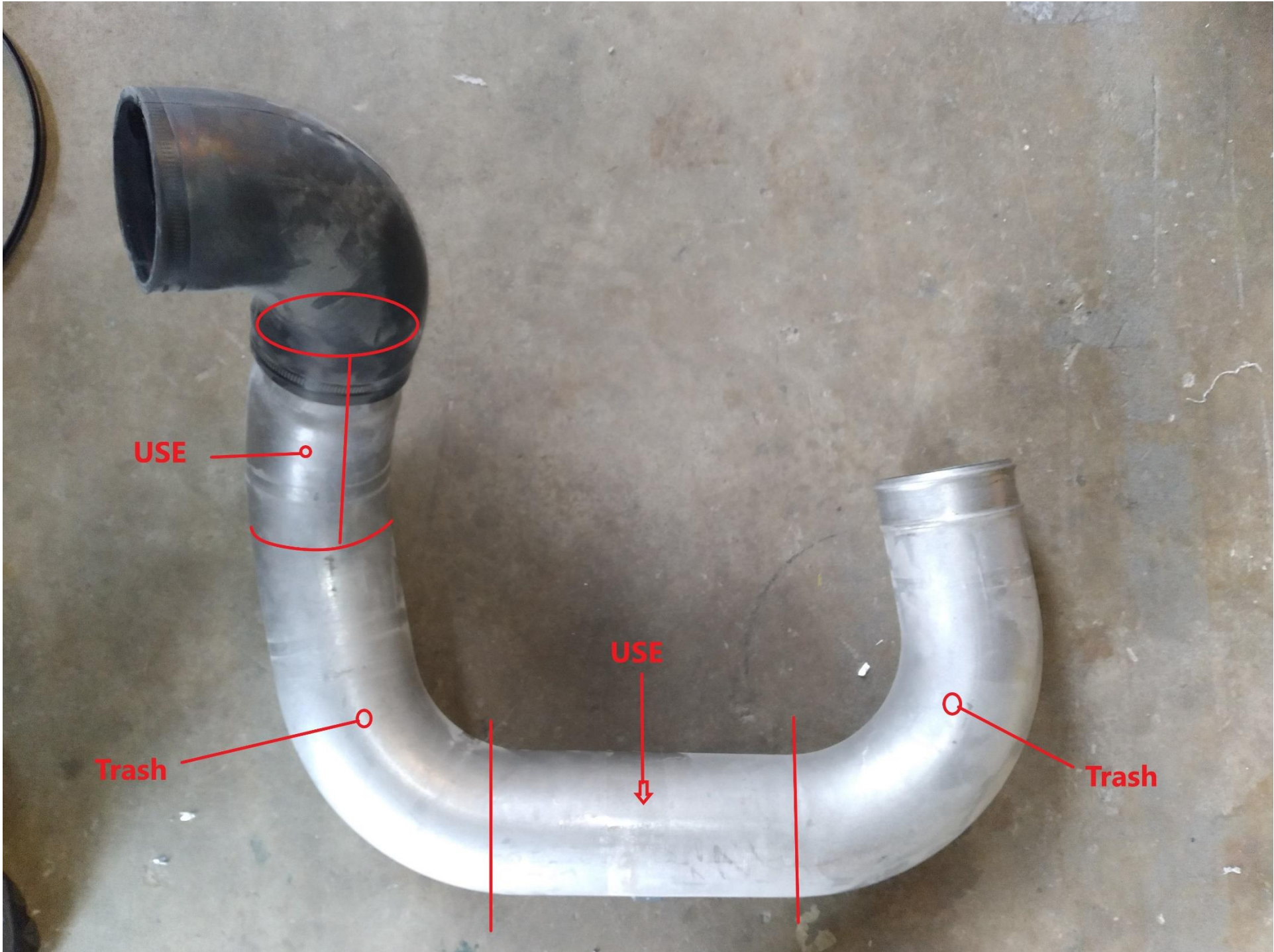


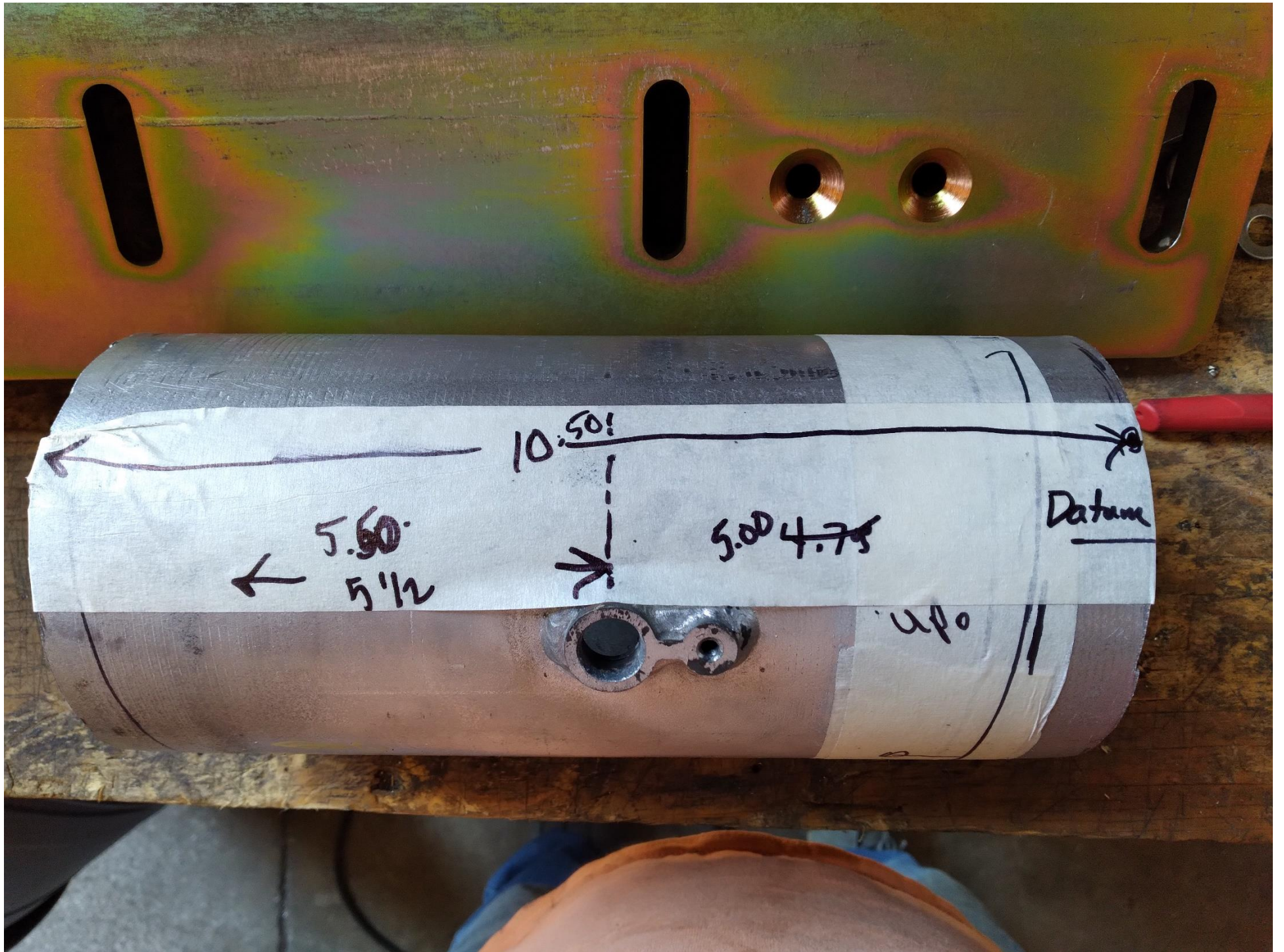












← 10.50 →
← 5.60 →
5 1/2
5.00 4.75
Datum

uPo



6.75

0 RAD



4.75

1 RAD

TransArctic A/C Compressor Mount Installation Disclaimer

All compressor mounts should be installed by qualified and trained personnel using proper tools and equipment in safe working conditions following industry standard guidelines for motor vehicle service and repair.

The installer of any compressor mount purchased from TransArctic must undertake all responsibility of issues arising from that compressor bracket being installed on any vehicle. As well as insure that a **proper and sufficient ground** is established between the compressors' clutches and the vehicle's engine. Mount functionality, operation and durability can all be compromised by an incompetent installation.

Due to the many different situations, parameters and application criteria, which are beyond the compressor mount manufacturer's control, TransArctic does not warrant design, durability, or operational functionality of any compressor mount improperly installed by another party.

With no implied guarantees it is the mount installer's strict responsibility to determine safety and functionality, of the compressor mount, at the time of installation.

Please contact TransArctic with any issue arising from installation so we may better improve the product. If you have any reservations about the compressor mount integrity contact TransArctic immediately at 1-877-COLD-AIR.

Mark OEM tensioner location

Install Kit

Check for Interferences

Check to ensure that the proper OEM tensioner orientation is maintained

Run engine with A/C system engaged for at least 10 minutes to run in belt

Check OEM tensioner orientation and adjust as required

Responsabilidad limitada de TransArctic en la instalación del soporte del compresor

Todos los soportes de los compresores deben ser instalados por personas calificadas y entrenadas, usando para ello los equipos y herramientas necesarios para esta labor en buenas condiciones y según las normas y guías para el servicio y/o reparación de motores de vehículos.

El instalador de los soportes comprados en TransArctic asume toda la responsabilidad de cualquier problema que surga en el soporte del compresor al vehículo; de igual manera es responsable que el cable a tierra sea conectado entre el embrague del compresor y el motor del vehículo.

Se advierte que el buen funcionamiento y la durabilidad del soporte pueden ser comprometidos por defectos en su instalación.

Debido a las diversas situaciones que se puedan presentar fuera del control del fabricante, TransArctic no garantiza el diseño, la durabilidad o el correcto funcionamiento de cualquier equipo inapropiadamente instalado por terceros.

Esta sobreentendido que el Instalador del montaje del compresor es estrictamente responsable de la seguridad y funcionamiento del equipo en el momento de la instalación.

Si tuviera algún problema o duda acerca de la instalación del soporte del compresor pongase en contacto inmediatamente con TransArctic al teléfono 1-877-COLD-AIR de modo que podamos mejorar nuestro producto.

Note la ubicación del medidor de tensión OEM

Instale el equipo

Controlar si hay interferencias.

Asegure que el medidor de tensión mantenga la orientación justa.

Encienda el motor por lo menos 10 minutos con el sistema A/C enganchado para que la correa corra

Controle la orientación justa del medidor de tensión y ajuste a las condiciones requeridas del fabricante