

# Bill of Materials Listing

TransArctic Canada Inc.

5/7/2020  
Page 1 of 1

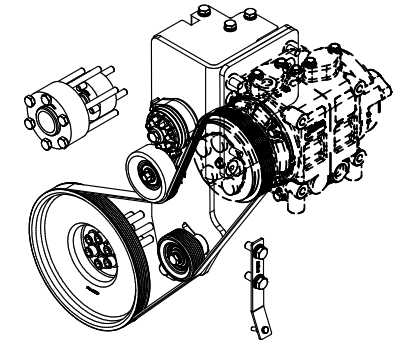
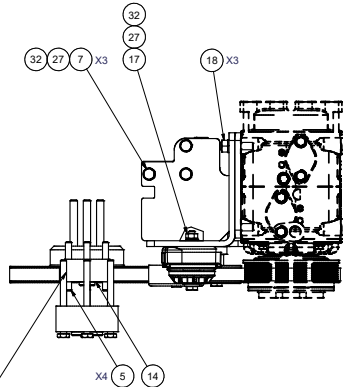
Product Number		Description	Rev#	Date	Weight	Uof M	Yield
Line	Component Prod#	Description	Bin	Unit	Qty		
<b>KMC62711</b>		<b>Mt Kit, ISB, CNG,C2, TM-43, 10"d, '20</b>	<b>0</b>	<b>5/14/2015</b>	<b>112.32</b>		<b>0</b>
5	PAC23150	Pack, Carton, 23" x 15" x 10", 51 ECT		each	1		
10	BEL61676	Belt, 6gr, 1676mm (66")		each	1		
20	BMC67180	Bkt, Main,Weldm't, 6.7L, N ISB, C2,TM-43		each	1		
35	BMC67161	BKT, SPACER, PLT, WELDMN'T, ISB, CNG C2,		each	1		
41	FSP63651	Spacer, Fan, Pulley, ISB, 36.5mm (1.44")	Alley	each	1		
42	FSP64175	Spacer, Fan, Pulley, ISB, 41.75mm(1.64")		each	1		
50	NTS10254	Nut, Tensioner, 10 mm, 25.4 mm o/a, PLT		each	1		
60	PUL60076	Pulley, Idler, Frontside, P6,76d (89051)		each	1		
70	PUL67007	Pulley, Crank, ADD-ON, 10"d, ISB, 6.7,P6		each	1		
91	SCD32512	Spacer, Col, Drl, 32.5mm x 25.4o x 12.3i		each	1		
92	SCD38430	Spacer, Step, Drl,38.4mm x 34.9o x10.08i	Alley	each	1		
95	SLV17110	Sleeve, Pulley,S,16.9o x 22.23mm x 10.3i	Alley	each	1		
185	TEN80005	Tenr, HD Spring, BackSide, CCW (89430)		each	1		
200	HOA01002	Hose, Air, 1" ID		feet	3.00		
210	KBC62710	Bag Kit, Fasteners, KMC62710/11		each	1		

# Bill of Materials Listing

TransArctic Canada Inc.

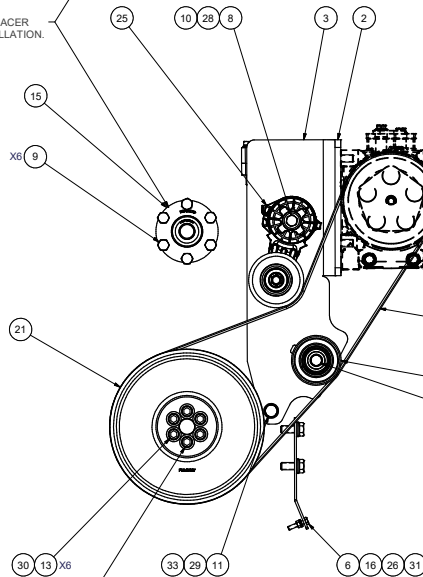
5/6/2020  
Page 1 of 1

Product Number		Description	Rev#	Date	Weight	Uof M	Yield
Line	Component Prod#	Description	Bin	Unit	Qty		
<b>KBC62710</b>		<b>Bag Kit, Fasteners, KMC62710/11</b>	<b>0</b>	<b>5/14/2015</b>	<b>3.88</b>		<b>0</b>
2	BSD00001	Bolt, Stud, M10 x 1.5 x 80mm, 8.8, Plt		each	4		
4	BTC06030	Bolt, Hex, 6 x 1.0 x 30mm, 10.9, Plt		each	1		
20	BTC10065	Bolt, Hex, 10 x 1.5 x 65mm, 10.9, Plt,FT		each	3		
40	BTC10090	Bolt, Hex, 10 x 1.5 x 90mm, 10.9, Plt		each	2		
50	BTC10120	Bolt, Hex, 10 x 1.5 x 120mm, 10.9, Plt		each	6		
60	BTC12030	Bolt, Hex, 12 x 1.75 x 30mm, 10.9, Plt		each	2		
70	BTC12130	Bolt, Hex, 12 x 1.75 x 130mm, 10.9, Plt		each	1		
90	CSF12031	Capscrew, FH, 12 x 1.75 x 30mm, 10.9,Plt		each	3		
110	CSS12090	Capscrew, SH, 12 x 1.25 x 90mm, 12.9,BLK		each	6		
115	NTA06000	Nut, Hex, 6 x 1.0, 8.8, Plt		each	1		
120	NTA10000	Nut, Hex, 10 x 1.5, 8.8, Plt		each	1		
130	NTA12000	Nut, Hex, 12 x 1.75, 8.8, Plt		each	3		
140	WFA06000	Washer, Flat, 6mm, 8.8, Plt		each	1		
150	WFA10000	Washer, Flat, 10mm, 8.8, Plt		each	5		
160	WFA10002	Washer, Flat, 10mm, Hvy, 8.8, Plt		each	1		
170	WFA12000	Washer, Flat, 12mm, 8.8, Plt		each	3		
210	WFS12002	Washer, Flat, Hdn, 12mm, Stl, BLK		each	6		
212	WLA06000	Washer, Lock, 6mm, 8.8, Plt		each	1		
215	WLA10000	Washer, Lock, 10mm, 8.8, Plt		each	5		
220	WLA12000	Washer, Lock, 12mm, 8.8, Plt		each	6		



ISOMETRIC VIEW

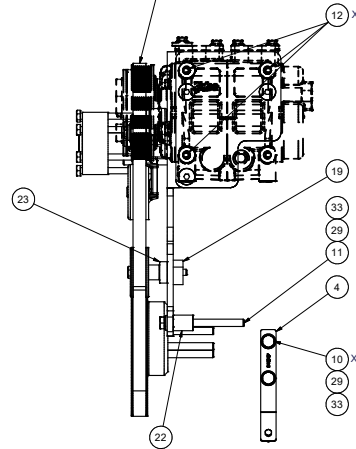
NOTE:  
USE APPROPRIATE FAN SPACER  
& FASTENERS TO SUIT INSTALLATION.



NOTE:  
SHOWING TRANSARCTIC  
COMPRESSOR PART#  
CMV25980 x 1  
AS REFERENCE

NOTE:  
TORQUE TO: 37 FT-LB PLAIN & LUBRICATED W/ CLEAN ENGINE OIL (15W-40)  
(SH. CAPSCREW M12 x 1.25 x 90mm)  
TIGHTEN IN TWO STEPS IN A CRIS-CROSS TIGHTENING SEQUENCE PATTERN

NOTE:  
INSTALL THE 6 GR. BELT ON THE  
FRONT 6 GROOVES OF THE 8 GR.  
COMPRESSOR PULLEY.



NOTES:  
1) USE SERVICABLE THREADLOCKER ON ALL FASTENERS TO ENGINE COMPONENTS AND TORQUE ALL BOLTS TO S.A.E. SPECIFICATIONS.  
2) SEE "TRANSARCTIC A/C COMPRESSOR MOUNT INSTALLATION DISCLAIMER".

ITEM	QTY	U/M	PART NUMBER	DESCRIPTION
34	3FT	EACH	HOA01002	HOSE, AIR, 1" I.D.
33	6	EACH	WLA12000	WASHER, LOCK, 12mm, 8.8, PLT
32	5	EACH	WLA10000	WASHER, LOCK, 10mm, 8.8, PLT
31	1	EACH	WLA06000	WASHER, LOCK, 6mm, 8.8, PLT
30	6	EACH	WFS12002	WASHER, FLAT, HDN, 12mm, STL, BLK
29	3	EACH	WFA12000	WASHER, FLAT, 12mm, 8.8, PLT
28	1	EACH	WFA10002	WASHER, FLAT, 10mm, HWY, 8.8, PLT
27	5	EACH	WFA10000	WASHER, FLAT, 10mm, 8.8, PLT
26	1	EACH	WFA06000	WASHER, FLAT, 6mm, 8.8, PLT
25	1	EACH	TEN80005	TENR, HD SPRING, BACKSIDE, CCW (89430)
24	1	EACH	SLV17110	SLEEVE, PULLEY, 5,16.90 x 22.23mm x 10.3i
23	1	EACH	SCD38430	SPACER, STEP, DRL, 38.4mm x 38.10 x 10.08i
22	1	EACH	SCD32512	Spacer, Col, Dri, 32.5 mm x 25.4 o x 12.3i
21	1	EACH	PUL67007	PULLEY, CRANK, ADD-ON, CUM, ISB, 10", P6
20	1	EACH	PUL60076	PULLEY, P6, 3.195" DIA.
19	1	EACH	NTS10254	NUT, TENSIONER, 10 mm, 25.4 mm o/a, PLT
18	3	EACH	NTA12000	NUT, HEX, 12 x 1.75, 8.8, PLT
17	1	EACH	NTA10000	NUT, HEX, 10 x 1.5, 8.8, PLT
16	1	EACH	NTA06000	NUT, HEX, 6 x 1, 8.8, PLT
15	1	EACH	FSP64175	SPACER, FAN, PULLEY, ISB, 41.75mm (1.64")
14	1	EACH	FSP63651	SPACER, FAN, PULLEY, ISC, 36.6mm (1.44")
13	6	EACH	CPS12090	CAPSCREW, SH, 12 x 1.25 x 90mm, 12.9, PLT
12	3	EACH	CSF12031	CAPSCREW, FH, 12 x 1.75 x 30mm, 10.9, PLT
11	1	EACH	BTC12130	BOLT, HEX, 12 x 1.75 x 130mm, 10.9, PLT
10	2	EACH	BTC12030	BOLT, HEX, 12 x 1.75 x 30mm, 10.9, PLT
9	6	EACH	BTC10130	BOLT, HEX, 10 x 1.5 x 130mm, 10.9, PLT
8	2	EACH	BTC10090	BOLT, HEX, 10 x 1.5 x 90mm, 10.9, PLT
7	3	EACH	BTC10065	BOLT, HEX, 10 x 1.5 x 65mm, 10.9, PLT
6	1	EACH	BTA06030	BOLT, HEX, 6 x 1.0 x 30mm, 10.9, PLT
5	4	EACH	BSD00001	BOLT, STUD, M10 x 1.5 x 80mm, 8.8, PLT
4	1	EACH	BMZ00107	BKT, SUPPORT, TRAN/LINES
3	1	EACH	BMCG7180	BKT, MAIN, WLDT, D-S, 6.7L, ISB, C2, TM-43, '20
2	1	EACH	BMCG7161	BKT, ADAPTOR, PLT, WELDMNT, ISB, CNG C2, '16
1	1	EACH	BEL61676	BELT, 6GR, 1676mm (66")

DRAWN		CHECKED		DATE		BY	
Klarin		Jose Rodriguez		5/6/2020		5/6/2020	
REV		DESCRIPTION		DATE		BY	
1		RELEASED TO PRODUCTION		05/07/2020		VAL	
2		James Stewart		5/6/2020		OR	
3		Dale Mason		5/6/2020		APPROVED	

UNSPECIFIED TOLERANCES:	ALL DIMS	FINISH
ONE DECIMAL PLACE (X1)	MM	125
TWO DECIMAL PLACE (X2)	MM	125
THREE DECIMAL PLACE (X3)	MM	125
FRACTIONAL (X1/16)	INCH	125

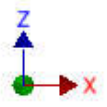
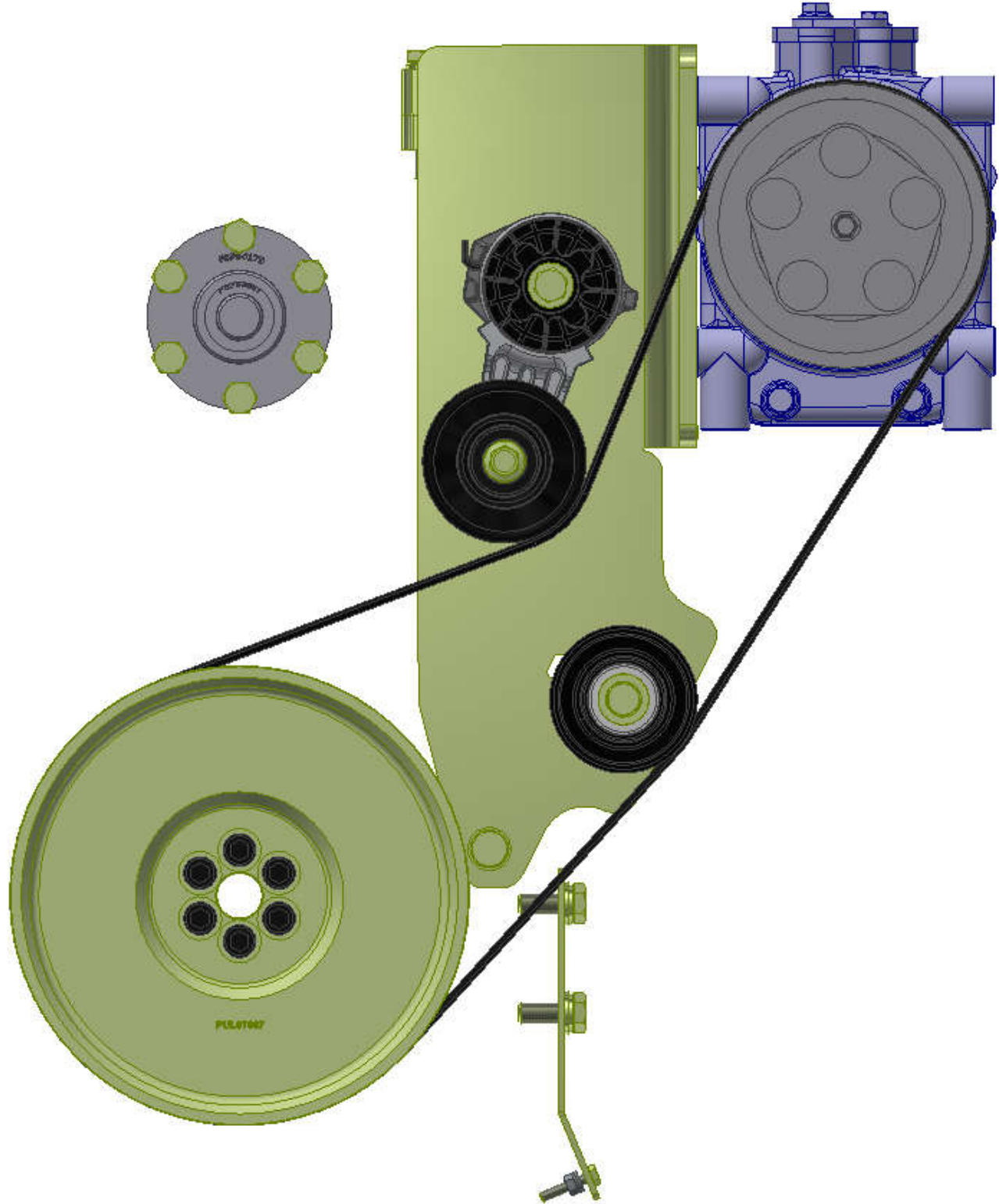


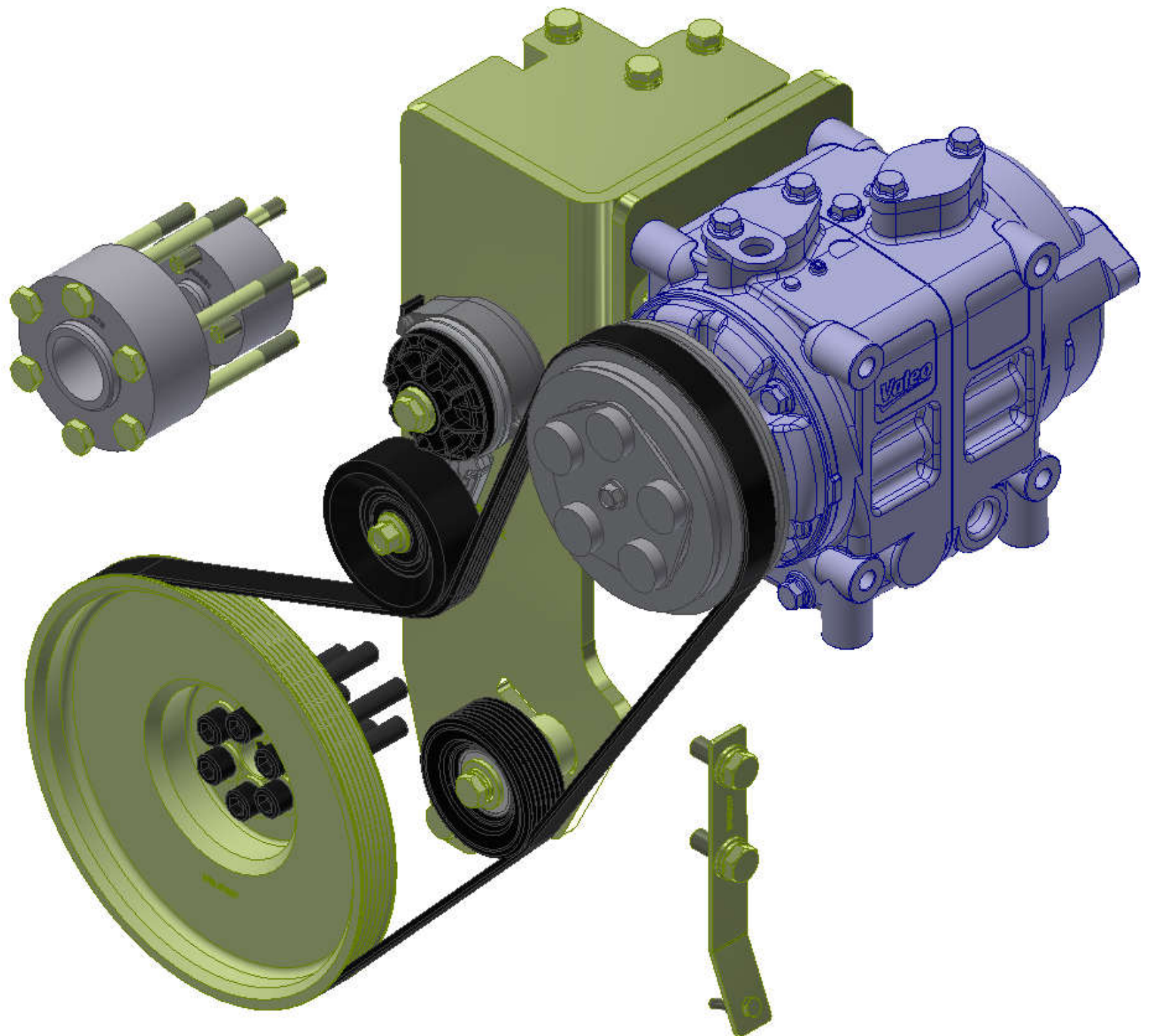
DRAWING UNIT OF MEASURE: MM (INCH) SCALE: 1:4 SHEET 1 OF 1

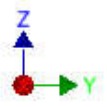
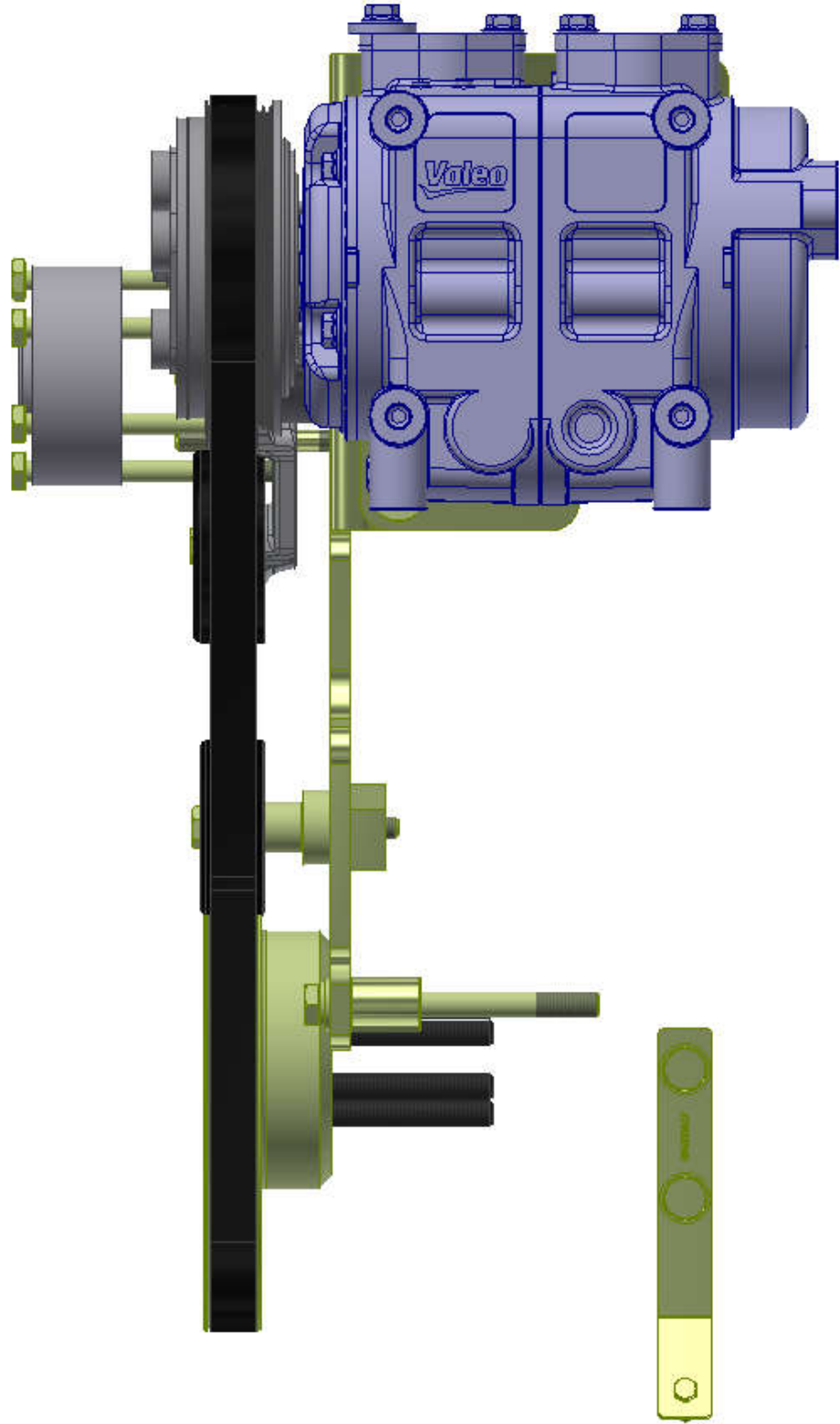


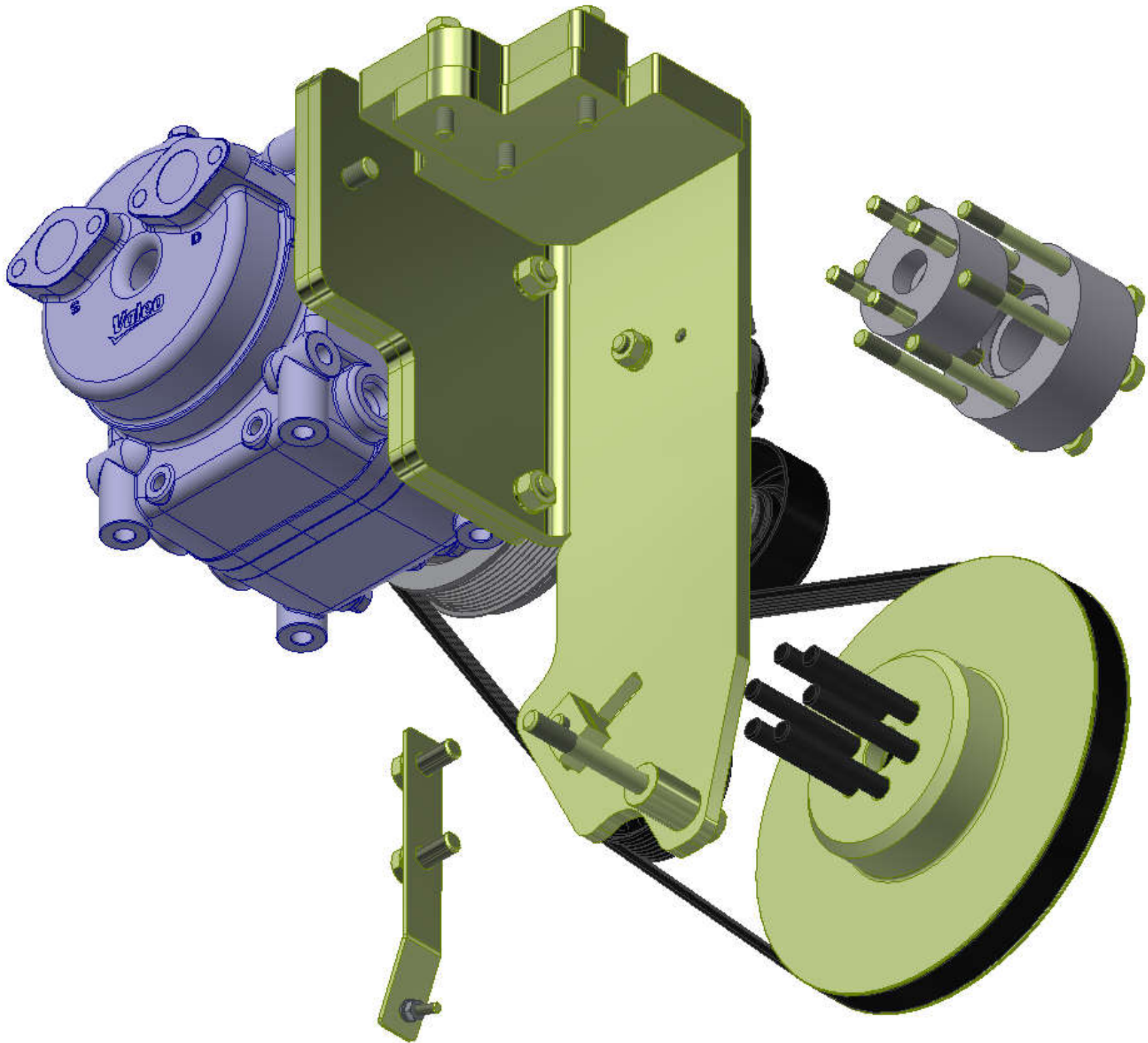
Mt Kit, ISB, CNG,C2, TM-43, 12V, '20

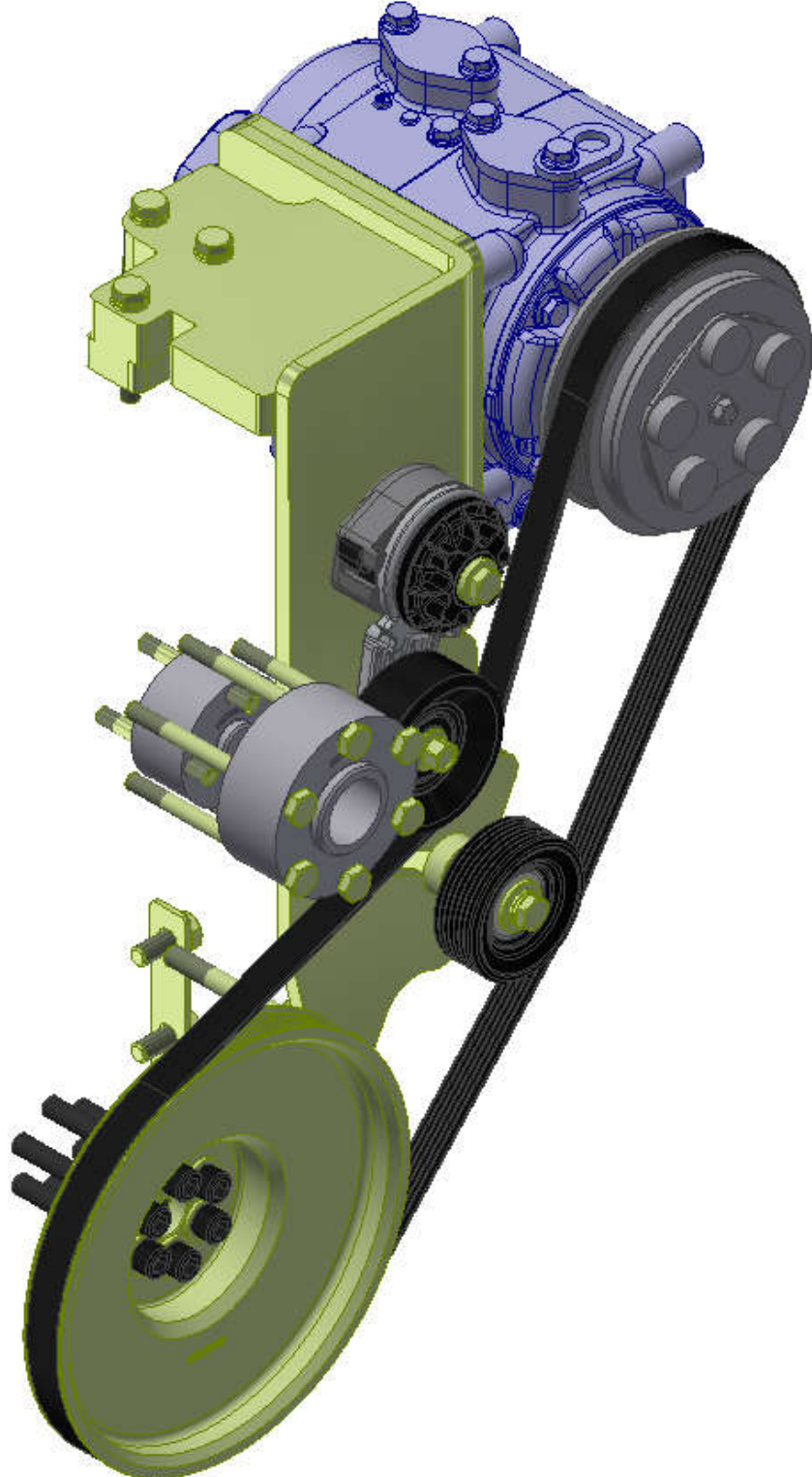
SIZE	DWG NO	REV
D	KMC62711	0













## **TransArctic A/C Compressor Mount Installation Disclaimer**

All compressor mounts should be installed by qualified and trained personnel using proper tools and equipment in safe working conditions following industry standard guidelines for motor vehicle service and repair.

The installer of any compressor mount purchased from TransArctic must undertake all responsibility of issues arising from that compressor bracket being installed on any vehicle. As well as insure that a **proper and sufficient ground** is established between the compressors' clutches and the vehicle's engine. Mount functionality, operation and durability can all be compromised by an incompetent installation.

Due to the many different situations, parameters and application criteria, which are beyond the compressor mount manufacturer's control, TransArctic does not warrant design, durability, or operational functionality of any compressor mount improperly installed by another party.

**With no implied guarantees it is the mount installer's strict responsibility to determine safety and functionality, of the compressor mount, at the time of installation.**

Please contact TransArctic with any issue arising from installation so we may better improve the product. If you have any reservations about the compressor mount integrity contact TransArctic immediately at 1-877-COLD-AIR.

**Mark OEM tensioner location**

**Install Kit**

**Check for Interferences**

**Check to ensure that the proper OEM tensioner orientation is maintained**

**Run engine with A/C system engaged for at least 10 minutes to run in belt**

**Check OEM tensioner orientation and adjust as required**

### **Responsabilidad limitada de TransArctic en la instalación del soporte del compresor**

Todos los soportes de los compresores deben ser instalados por personas calificadas y entrenadas, usando para ello los equipos y herramientas necesarios para esta labor en buenas condiciones y según las normas y guías para el servicio y/o reparación de motores de vehículos.

El instalador de los soportes comprados en TransArctic asume toda la responsabilidad de cualquier problema que surga en el soporte del compresor al vehículo; de igual manera es responsable que el cable a tierra sea conectado entre el embrague del compresor y el motor del vehículo.

Se advierte que el buen funcionamiento y la durabilidad del soporte pueden ser comprometidos por defectos en su instalación.

Debido a las diversas situaciones que se puedan presentar fuera del control del fabricante, TransArctic no garantiza el diseño, la durabilidad o el correcto funcionamiento de cualquier equipo inapropiadamente instalado por terceros.

**Esta sobreentendido que el Instalador del montaje del compresor es estrictamente responsable de la seguridad y funcionamiento del equipo en el momento de la instalación.**

Si tuviera algún problema o duda acerca de la instalación del soporte del compresor pongase en contacto inmediatamente con TransArctic al teléfono 1-877-COLD-AIR de modo que podamos mejorar nuestro producto.

**Note la ubicación del medidor de tensión OEM**

**Instale el equipo**

**Controlar si hay interferencias.**

**Asegure que el medidor de tensión mantenga la orientación justa.**

**Encienda el motor por lo menos 10 minutos con el sistema A/C enganchado para que la correa corra**

**Controle la orientación justa del medidor de tensión y ajuste a las condiciones requeridas del fabricante**