



Mobile Climate Control

T-299PL Evaporator Manual



SERVICE PARTS LIST

for

SPLIT SYSTEM EVAPORATORS

T-299PL Evaporator

REV. 02/2022



TABLE OF CONTENTS

INTRODUCTION vii

ORDERING INSTRUCTIONS vii

GENERAL NOTES vii

SECTION 1 - EVAPORATORS 1

SECTION 1.1 EM-1 EVAPORATORS 1

1.1.1 EVAPORATOR, EM-1, GEN 4, FREE BLOW 1

1.1.2 EVAPORATOR, EM-1, GEN 4 CHASSIS KIT WITH HEAT 3

1.1.3 PLENUM & GRILL BOX FOR EVAPORATORS EM-1 & 2, GEN 4 4

1.1.4 EM-1, GEN-V, 3 SPEED CHASSIS KITS 77-62512-XX (COMMON PARTS): OPTION 1 6

1.1.4 EM-1, GEN-V, 3 SPEED CHASSIS KITS 77-62512-XX (COMMON PARTS) - Cont: 7

1.1.5 EM1 GEN-V, Wire Harness 22-62168-00 & -01: OPTION 1 & OPTION 2 8

1.1.5 EM1 GEN-V, Wire Harness 22-62099-00 & -01: OPTION 3 & OPTION 4 8

1.1.5 EM1 GEN-V, Wire Harness 22-62286-00: OPTION 5 9

1.1.5 EM1 GEN-V, Wire Harness 22-62261-00: OPTION 6 9

1.1.5 EM1 GEN-V, Wire Harnesses 22-62247-00 & 22-62204-00: OPTION 7 10

1.1.5 EM1 GEN-V, Wire Harness 22-62194-00: OPTION 8 10

1.1.6 COVER ASSEMBLY, EM-1, GEN-V, 3 SPEED, REAR MOUNT - OPTION 1 11

1.1.6 COVER ASSEMBLY, EM-1, GEN-V, 3 SPEED, SIDE MOUNT - OPTION 2 12

1.1.7 MISCELLANEOUS INSTALLATION COMPONENTS, EM-1, GEN-V, SIDE MOUNT 13

1.1.8 EM-1, GEN-VI, 3 SPEED CHASSIS KITS : OPTION 1 16

1.1.9 EM-1, GEN-VI, COVER ASSEMBLY, REAR MOUNT : OPTION 1 18

1.1.9 EM-1, GEN-VI, COVER ASSEMBLY, SIDE MOUNT: OPTION 2 19

1.1.10 EM1 GEN-VI, Wire Harness 22-62303-00: OPTION 1 20

1.1.10 EM1 GEN-VI, Wire Harness Y25-00145-00: OPTION 2 20

1.1.10 EM1 GEN-VI, Wire Harness 22-62303-02: OPTION 3 21

1.1.10 EM1 GEN-VI, Wire Harness 22-62303-03: OPTION 4 21

1.1.11 EM-1, CLASSIC LINE, 12 & 24 VDC, 3 SPEED CHASSIS KITS , OPTION 1 & 2 ... 23

1.1.12 EM-1, CLASSIC LINE, COVER ASSEMBLY, REAR MOUNT : OPTION 1 & 2 25

1.1.13 EM-1, CLASSIC LINE, COVER ASSEMBLY, SIDE MOUNT : OPTION 3 & 4 26

1.1.14 EM1 Classic Line, 12 VDC Wire Harness Y25-00099-01, OPTION 1 27

1.1.14 EM1 CLASSIC LINE, WIRE HARNESS Y25-00099-02, OPTION 2 28

1.1.14 EM1 CLASSIC LINE, WIRE HARNESS Y25-00099-03, OPTION 3 29

1.1.15 CHASSIS KIT, EM-1, AE, Brushless, W/Heat 31

1.1.15 CHASSIS KIT, EM-1, AE, Brushless, Cool Only: OPTION 2 32

1.1.16 COVER ASSEMBLY, EM-1, AE, REAR MOUNT : OPTION 1 & 2 33

1.1.17 WIRE HARNESS, EM1, AE, Brushless, 12VDC : OPTION 1 34

1.1.17 WIRE HARNESS, EM1, AE, Brushless, Heat Valve, 12VDC : OPTION 2 35

SECTION 1.2 EM-2 EVAPORATORS 36



TABLE OF CONTENTS

1.2.1	EVAPORATOR, EM-2, GEN 4, FREE BLOW	36
1.2.2	EVAPORATOR, EM-2 CHASSIS KIT WITH HEAT, GEN 4	37
1.2.3	EVAPORATOR, EM-2,GEN V (Common Parts) OPTION 1	40
1.2.4	EM2 GEN-V, Wire Harness 22-62168-00 : OPTION 1	42
1.2.4	EM2 GEN-V, Wire Harness 22-62099-00 : OPTION 2	42
1.2.4	EM2 GEN-V, Wire Harness 22-62286-00: OPTION 3	43
1.2.4	EM2 GEN-V, Wire Harness 22-62261-00: OPTION 4	43
1.2.4	EM2 GEN-V, Wire Harnesses 22-62247-00 & 22-62204-00: OPTION 5	44
1.2.5	COVER ASSEMBLY, EM-2, GEN-V, 3 SPEED, REAR MOUNT : OPTION 1	45
1.2.5	COVER ASSEMBLY, EM-2, GEN-V, 3 SPEED, SIDE MOUNT : OPTION 2	46
1.2.6	INSTALLATION COMPONENTS, EM-2, GEN-V, SIDE MOUNT	47
1.2.7	EM-2, GEN-VI, 3 SPEED CHASSIS KITS Y73-EM201-00 thru -02 (COMMON PARTS): OPTION 1	50
1.2.8	EM-2, GEN-VI, COVER ASSEMBLY, REAR MOUNT : OPTION 1	52
1.2.8	EM-2, GEN-VI, COVER ASSEMBLY, SIDE MOUNT: OPTION 2	53
1.2.9	EM2 GEN-VI, Wire Harness 22-62303-00: OPTION 1	54
1.2.9	EM2 GEN-VI, Wire Harness 22-62303-01: OPTION 2	54
1.2.9	EM2 GEN-VI, Wire Harness 22-62303-02: OPTION 3	55
1.2.9	EM2 GEN-VI, Wire Harness 22-62303-03: OPTION4	56
1.2.10	EM-2, CLASSIC LINE, 12 & 24VDC, 3 SPEED CHASSIS KITS, OPTION 1 & 2 ...	58
1.2.11	EM-2, CLASSIC LINE, COVER ASSEMBLY, REAR MOUNT : OPTION 1 & 2	60
1.2.11	EM-2, CLASSIC LINE, COVER ASSEMBLY, REAR MOUNT : OPTION 3 & 4	60
1.2.12	EM2 CLASSIC LINE, WIRE HARNESS Y25-00102-01, OPTION 1	61
1.2.12	EM2 CLASSIC LINE, WIRE HARNESS Y25-00102-03, OPTION 2	62
SECTION 1.3 EM-3 EVAPORATORS		63
1.3.1	EVAPORATOR, EM-3, GEN 4, DUCTED, WITH PLENUM OR GRILL BOX	63
1.3.2	EVAPORATOR, EM-3, GEN 4, FREE BLOW	64
1.3.3	EM-3, 3 SPEED CHASSIS KITS (Common Parts) OPTION 1	66
1.3.4	EM3 GEN-V, Wire Harness 22-62168-00 : OPTION 1	68
1.3.4	EM3 GEN-V, Wire Harness 22-62164-00 : OPTION 2	68
1.3.4	EM3 GEN-V, Wire Harness 22-62164-02 : OPTION 3	69
1.3.4	EM2 GEN-V, Wire Harness 22-62261-00: OPTION 4	69
1.3.4	EM3 GEN-V, Wire Harnesses 22-62204-00: OPTION 5	70
1.3.4	EM3 GEN-V, Wire Harness 22-62099-00 : OPTION 6	70
1.3.4	EM3 GEN-V, Wire Harnesses 22-62261-02: OPTION 7	71
1.3.5	EM-3, GEN-5, COVER ASSEMBLY	72
1.3.6	EM-3, CLASSIC LINE, 12 VDC, 3 SPEED CHASSIS KITS, Y73-EM303-00 & -01, OPTION 1 & 2	74
1.3.6	EM-3, CLASSIC LINE, 12/24 VDC, 3 SPEED CHASSIS KITS Y73-EM303-02 thru -09 : OPTION 3 & 4	76



TABLE OF CONTENTS

1.3.7 EM-3, CLASSIC LINE, COVER ASSEMBLY, REAR MOUNT : OPTION 1 & 2 78

1.3.8 EM3, CLASSIC LINE, Wire Harness Y25-00103-01, OPTION 1 79

1.3.8 EM3, CLASSIC LINE, Wire Harness Y25-00103-02, OPTION 2 80

1.3.8 EM3, CLASSIC LINE, Wire Harness Y25-00103-03, OPTION 3 81

1.3.8 EM3, CLASSIC LINE, Wire Harness Y25-00103-04, OPTION 4 82

1.3.8 EM3, CLASSIC LINE, Wire Harness Y25-00146-00, OPTION 5 83

1.3.9 EM-3, CLASSIC LINE, Single Loop,12VDC, 3 SPEED CHASSIS KIT 85

1.3.10 EM-3, CLASSIC LINE, Single Loop, COVER ASSEMBLY, REAR MOUNT : OPTION 1 & 2
. 86

1.3.11 EM3, CLASSIC LINE, Single Loop Wire Harness Y25-00103-05, OPTION 1 87

1.3.11 EM3, CLASSIC LINE, Single Loop Wire Harness Y25-00103-09, OPTION 2 88

SECTION 1.4 EM-6 EVAPORATORS 89

1.4.1 EVAPORATOR, EM-6, GEN 4, SIDE MOUNT, FREE BLOW 89

1.4.2 EVAPORATOR, EM-6, GEN 4, FREE BLOW 90

1.4.3 EM-6, CLASSIC LINE, 12 & 24VDC, 3 SPEED CHASSIS KITS, OPTION 1 & 2 92

1.4.4 EM-6, CLASSIC LINE, COVER ASSEMBLY, REAR MOUNT : OPTION 1 & 2 94

1.4.4 EM-6, CLASSIC LINE, COVER ASSEMBLY, SIDE MOUNT : OPTION 3 & 4 94

1.4.5 EM6 CLASSIC LINE, WIRE HARNESS Y25-00102-01, OPTION 1 95

1.4.5 EM6 CLASSIC LINE, WIRE HARNESS Y25-00102-03, OPTION 2 96

SECTION 1.5 EM-7 EVAPORATORS 97

1.5.1 EVAPORATOR, EM-7, GEN V, CHASSIS KIT (Common Parts): OPTION 1 98

1.5.2 COVER ASSEMBLY, EM-7, GEN-V, REAR MOUNT : OPTION 1 100

1.5.2 COVER ASSEMBLY, EM-7, GEN-V, SIDE MOUNT : OPTION 2 101

1.5.3 EM7 GEN-V, Wire Harness 22-62168-00 & -01: OPTION 1 & OPTION 5 102

1.5.3 EM7 GEN-V, Wire Harness 22-62286-00: OPTION 2 102

1.5.3 EM7 GEN-V, Wire Harnesses 22-62247-00: OPTION 3 103

1.5.3 EM7 GEN-V, Wire Harness 22-62261-00: OPTION 4 104

1.5.3 EM7 GEN-V, Wire Harness 22-62099-00 & -01: OPTION 6 104

1.5.3 EM7 GEN-V, Wire Harness 22-62194-00: OPTION 7 105

1.5.4 EM-7, GEN-VI, 3 SPEED CHASSIS KITS Y73-EM701-00 thru -02 (COMMON PARTS):
OPTION 1 107

1.5.5 EM-7, GEN-VI, COVER ASSEMBLY, REAR MOUNT : OPTION 1 109

1.5.5 EM-7, GEN-VI, COVER ASSEMBLY, SIDE MOUNT: OPTION 2 110

1.5.6 EM7 GEN-VI, Wire Harness 22-62303-00: OPTION 1 111

1.5.6 EM7 GEN-VI, Wire Harness 22-62303-01: OPTION 2 111

1.5.6 EM7 GEN-VI, Wire Harness 22-62303-02: OPTION 3 112

1.5.6 EM7 GEN-VI, Wire Harness 22-62303-03: OPTION 4 112

SECTION 1.6 EM-9 EVAPORATORS 113

1.6.1 EVAPORATOR, EM-9, GEN IV, SIDE MOUNT, DUCTED (Common Parts): OPTION 1
. 114



TABLE OF CONTENTS

1.6.2 EM9 GEN-IV, Wire Harness 22-62226-00: OPTION 1 115

1.6.2 EM9 GEN-IV, Wire Harness 22-62279-00: OPTION 2 116

1.6.3 EVAPORATOR, EM-9, GEN 4, SIDE MOUNT, DUCTED , COVERS 117

SECTION 1.7 EM-14 EVAPORATORS 118

SECTION 1.7 EM-14 EVAPORATORS 119

1.7.1 EVAPORATOR, EM-14, GEN 4 SERIES, FREE BLOW , REAR & SIDE MOUNT (Common Parts): OPTION 1 119

1.7.2 EM14, Wire Harness 22-62223-00: OPTION 1 120

1.7.2 EM14, Wire Harness 22-62285-00: OPTION 2 121

1.7.3 EVAPORATOR, EM-14, FREE BLOW, REAR & SIDE MOUNT COVER ASSEMBLY, OPTION 1 122

1.7.3 EVAPORATOR, EM-14, FREE BLOW, REAR MOUNT GRILLE, RETURN AIR, OPTION 2 122

1.7.3 EVAPORATOR, EM-14, FREE BLOW, SIDE MOUNT GRILLE, RETURN AIR, OPTION 3 122

SECTION 1.8 EM-17 EVAPORATORS 123

SECTION 1.8 EM-17 EVAPORATORS 124

1.8.1 EVAPORATOR, EM-17, SINGLE LOOP, GEN 4 SERIES : OPTION 1 124

1.8.1 EVAPORATOR, EM-17, DUAL LOOP, GEN 4 SERIES : OPTION 2 125

1.8.1 EVAPORATOR, EM-17, CHASSIS KITS 77-62000-11 & Y53-E1701-00: OPTION 3 . 126

1.8.1 EVAPORATOR, EM-17, CHASSIS KITS 77-62000-31 & Y53-E1702-00: OPTION 4 . 128

1.8.1 EVAPORATOR, EM-17, CHASSIS KITS 77-62000-31 & Y53-E1702-00: OPTION 4 (Continued) 129

1.8.2 EVAPORATOR, EM-17, WIRE HARNESS, OPTION 1 130

1.8.2 EVAPORATOR, EM-17, WIRE HARNESS, OPTION 2 131

SECTION 1.9 EM-23 EVAPORATORS 132

1.9.1 EVAPORATOR KIT, EM-23, HEAT/COOL (77-62725-00) 132

1.9.2 EVAPORATOR KIT, EM-23 - COOL ONLY (77-62204-00) 133

1.9.3 EVAPORATOR KIT, EM-23 - COOL ONLY 13-20323 134

1.9.4 EVAPORATOR KIT, EM-23 - HEAT/COOL 13-20301 135

SECTION 1.10 IW-1 IN-WALL EVAPORATORS 136

1.10.1 EVAPORATOR, IW-1, (77-62081-11) 136

1.10.3 EVAPORATOR, IW-1, COMMON PARTS USED ON 77-62160-XX UNITS: Option 1 ... 140

1.10.3 EVAPORATOR, IW-1, COMMON PARTS USED ON CHASSIS Y73-IW101-00: Option 2 . 142

1.10.4 EVAPORATOR HARNESS, IW-1 12VDC (22-62282-00): OPTION 1 143

1.10.4 EVAPORATOR HARNESS, IW-1 24VDC (22-62299-00): OPTION 2 144

1.10.4 EVAPORATOR HARNESS, IW-1 12VDC (22-62274-00): OPTION 3 145

1.10.4 EVAPORATOR HARNESS, IW-1, Variable Speed 12VDC (22-62239-00): OPTION 4 146

1.10.4 EVAPORATOR HARNESS, IW-1, EnviorMATE 12VDC (Y25-00059-00): OPTION 5 147



TABLE OF CONTENTS

- 1.10.4 EVAPORATOR HARNESS, IW-1, 12VDC (Y25-00106-01): OPTION 6 148
- 1.10.4 EVAPORATOR HARNESS, IW-1, 12VDC (22-62240-00): OPTION 7 149
- 1.10.4 EVAPORATOR HARNESS, IW-1, 12VDC (Y25-00260-00): OPTION 8 150
- 1.10.5 EVAPORATOR, IW-1, BRACKETS: OPTION 1 151
- 1.10.5 EVAPORATOR, IW-1, BRACKETS : OPTION 2 151
- 1.10.5 EVAPORATOR, IW-1, BRACKETS : OPTION 3 151
- 1.10.5 EVAPORATOR, IW-1, BRACKETS: OPTION 4 152
- 1.10.5 EVAPORATOR, IW-1, BRACKETS 21: OPTION 5 152
- 1.10.5 EVAPORATOR, IW-1, BRACKETS: OPTION 6 153
- 1.10.5 EVAPORATOR, IW-1, BRACKETS7: OPTION 7 153
- 1.11 IW-2 IN-WALL EVAPORATORS 161
- 1.11.1 EVAPORATOR, IW-2 - 77-62134-XX (All), COMMON PARTS: OPTION 1 162
- 1.11.2 EVAPORATOR, IW-2 MOUNT BRACKETS: OPTION 1 164
- 1.11.2 EVAPORATOR, IW-2 MOUNT BRACKETS: OPTION 2 164
- 1.11.3 EVAPORATOR HARNESS, IW-2: OPTION 1 165
- 1.11.4 COVER ASSEMBLY, EVAPORATOR, IW-2: OPTION 3 167
- 1.11.4 COVER ASSEMBLY, EVAPORATOR, IW-2: OPTION 4 168
- 1.11.4 COVER ASSEMBLY, EVAPORATOR, IW-2: OPTION 5 169
- 1.11.4 COVER ASSEMBLY, EVAPORATOR, IW-2: OPTION 6 169
- 1.12 IW-4 IN-WALL EVAPORATORS 170
- 1.12.1 EVAPORATOR, IW-4: OPTION 1 171
- 1.12.1 EVAPORATOR, IW-4, Y19-IW401 and Y19-IW402 MODELS: OPTION 2 173
- 1.12.2 EVAPORATOR HARNESS, IW-4: OPTION 1 174
- 1.12.2 EVAPORATOR HARNESS, IW-4: OPTION 2 175
- 1.12.2 EVAPORATOR HARNESS, IW-4: OPTION 3 176
- 1.12.2 EVAPORATOR HARNESS, IW-4: OPTION 4 177
- 1.12.2 EVAPORATOR HARNESS, IW-4: OPTION 5 178
- 1.12.3 COVER ASSEMBLY, IW-4: OPTION 1 179
- 1.12.3 COVER ASSEMBLY, IW-4: OPTION 2 180
- 1.13 IW-5 IN-WALL EVAPORATORS 181
- 1.13.1 EVAPORATOR, IW-5: OPTION 1 182
- 1.13.2 EVAPORATOR HARNESS , IW-5: OPTION 1 183
- 1.13.3 EVAPORATOR MOUNTING BRACKETS, IW-5: OPTION 1 184
- 1.14 IW-7 IN-WALL EVAPORATORS 185
- 1.14.1 EVAPORATOR, IW-7 (77-62131-00) 185
- 1.15 IW-10 IN-WALL EVAPORATORS 187
- 1.15.1 EVAPORATOR, Chassis Kit IW-10, (INACTIVE): OPTION 1 188
- 1.15.1 EVAPORATOR, Chassis Kits IW10 : COMMOM PARTS: OPTION 2 190
- 1.15.1 EVAPORATOR, Chassis Kit IW-10 : COMMOM PARTS : OPTION 3 192



TABLE OF CONTENTS

1.15.2	EVAPORATOR, Mounting Brackets, IW-10 : OPTION 1	193
1.15.2	EVAPORATOR, Mounting Brackets, IW-10 : OPTION 2	193
1.15.3	EVAPORATOR HARNESS, IW-10: OPTION 1	194
1.15.3	EVAPORATOR HARNESS, IW-10: OPTION 2	195
1.15.3	EVAPORATOR HARNESS, IW-10: OPTION 3	196
1.15.3	EVAPORATOR HARNESS, IW-10: OPTION 4	196
1.15.3	EVAPORATOR HARNESS, IW-10: OPTION 5	197
1.15.4	COVER ASSEMBLY, EVAPORATOR, IW-10: OPTION 1	198
1.15.4	COVER ASSEMBLY, EVAPORATOR, IW-10: OPTION 2	199
1.15.4	COVER ASSEMBLY, EVAPORATOR, IW-10: OPTION 3	199
1.15.4	COVER ASSEMBLY, EVAPORATOR, IW-10: OPTION 4	200
1.15.4	COVER ASSEMBLY, EVAPORATOR, IW-10: OPTION 5	201
1.15.4	COVER ASSEMBLY, EVAPORATOR, IW-10: OPTION 6	202
1.15.4	COVER ASSEMBLY, EVAPORATOR, IW-10: OPTION 7	203
1.16	IW-14 IN-WALL EVAPORATORS	204
1.16.1	EVAPORATOR, IW-14, (77-62080-00)	204
1.16.1	EVAPORATOR, IW-14, WITH LP SWITCH (77-62080-01)	206



INTRODUCTION

This parts list identifies service replacement parts for Mobile Climate Control Split System evaporator components.

ORDERING INSTRUCTIONS

All orders and inquiries for parts must include: Unit Serial Number, Part No., description of part as shown on list and quantity required. Parts can be ordered by going to the following website:

www.mcc-hvac.com

GENERAL NOTES

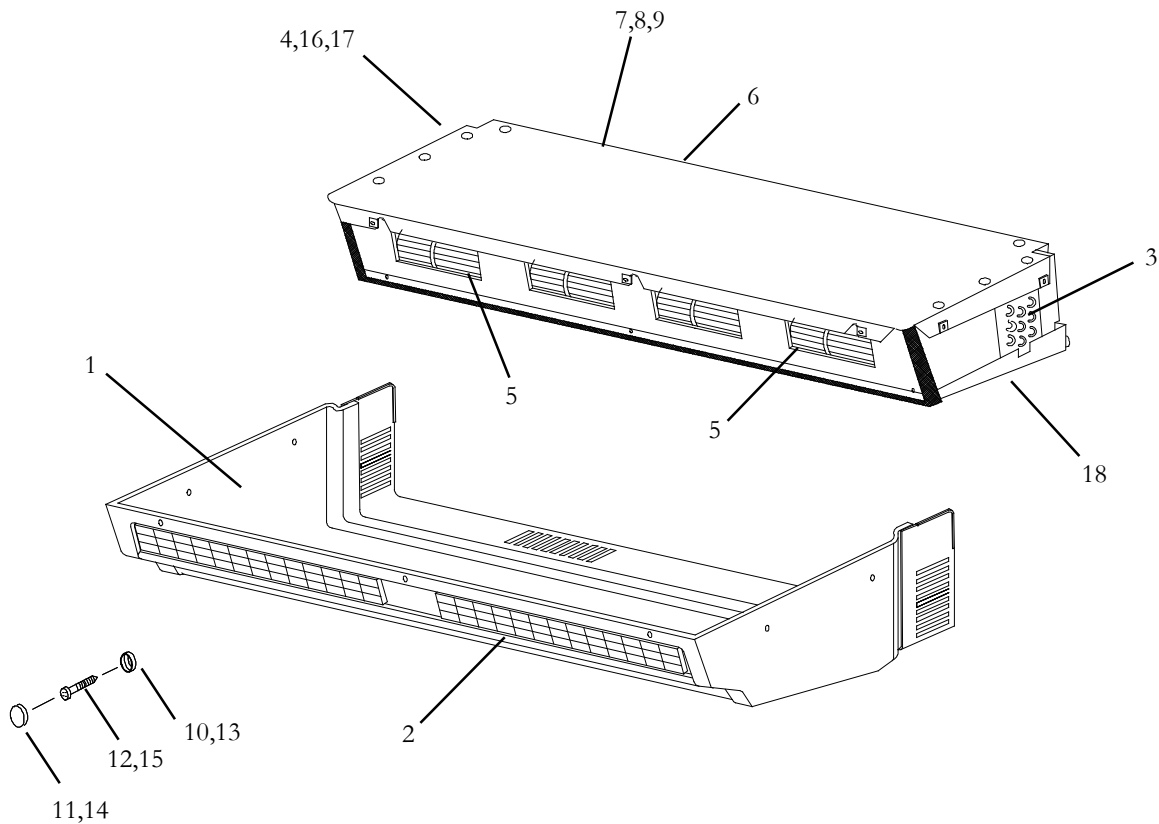
1. This catalog contains those items most commonly required for replacement purposes. If parts other than those cataloged are required, please provide the model number and serial number of the unit on which the parts are to be used and a complete description including references to items which are cataloged.
2. The replacement parts listed in this catalog are “Factory-Authorized Parts” and, as a result of “standardization,” may not be identical to the original part furnished on the equipment.
3. The following letter designations are used to classify parts throughout this list:
 - A/R = As Required,
 - H/C = Heat/Cool,
 - N/A = Not Available
 - N/S = Not Shown On Illustration
 - NSS = Not Sold Separately,
 - REF = For Reference Only
 - NSI = Non-stock Item



SECTION 1 - EVAPORATORS

SECTION 1.1 EM-1 EVAPORATORS

1.1.1 EVAPORATOR, EM-1, GEN 4, FREE BLOW



For replacement parts on units with serial #1-032501 to #.

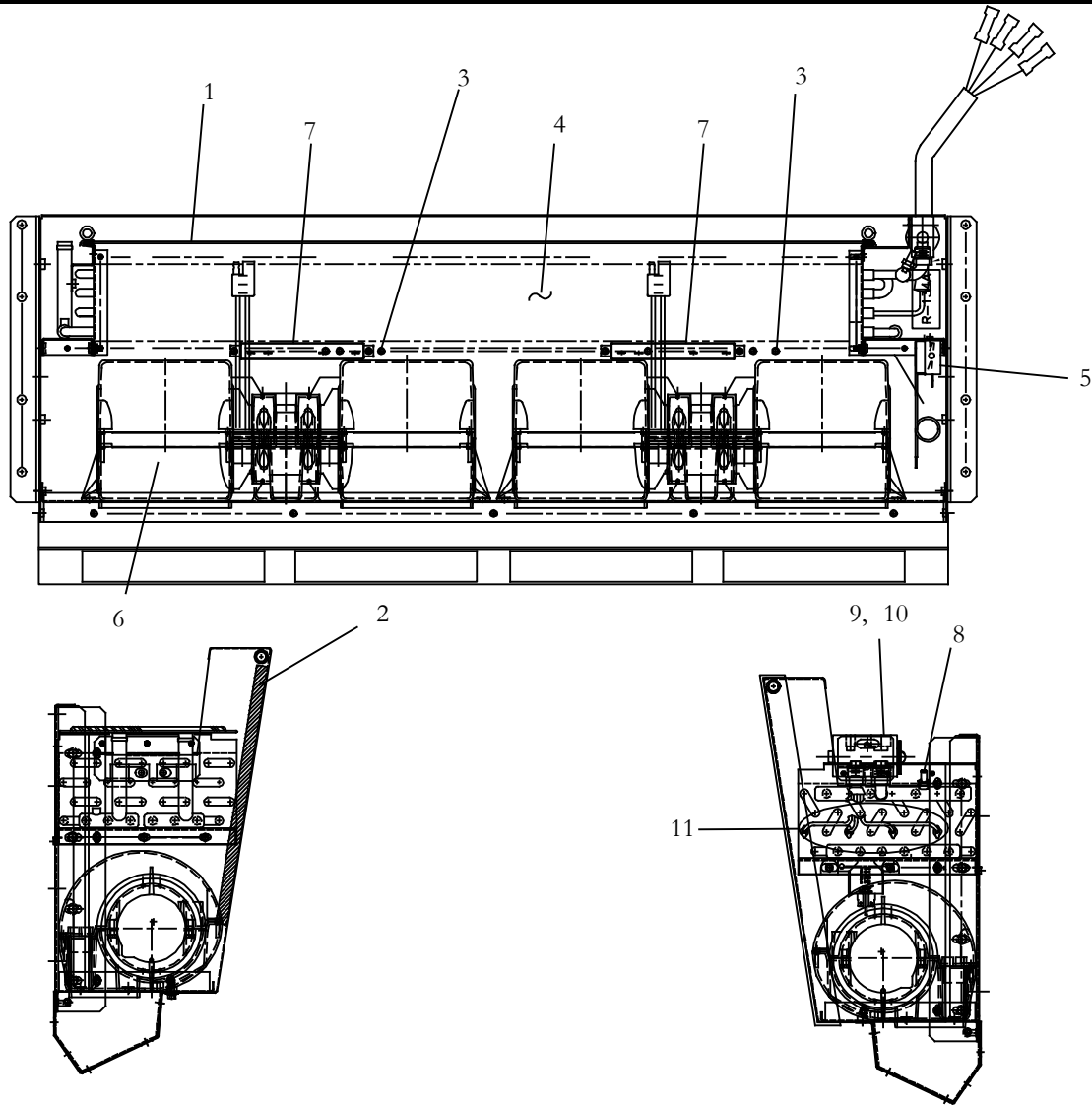
Item	Part Number	Description	Qty
1	79-62071-00	Cover Assembly, White	1
	79-62071-01	Cover Assembly, Gray	1
2	AC401-320	Louver Assembly, (14 3/8 Inch X 3 3/8 Inch)	2
3	08-62059-00	Coil, Assembly, With Low Pressure Switch Connection, With Heat	1
	08-62060-00	Coil, Assembly, With Low Pressure Switch Connection, Cool Only	1
4	14-00397-00	Thermal Expansion Valve	1
5	54-00588-00	Blower Assembly, Dual, 12 Volt	2
	AC401-233	Blower Assembly, Dual, 24 Volt	2
6	AC801-405	Filter, Return Air, (35 X 7 1/4 Inch)	1
7	AC201-501	Thermostat, Freeze-Up	1



1.1.1 EVAPORATOR, EM-1, GEN 4, FREE BLOW - Continued:			
Item	Part Number	Description	Qty
8	76-62019-00	Resistor Kit, (1.8 Ohm, 4 Prong)	2
9	22-62125-00	Harness, Evaporator, GSA, 12 VDC	NSI
	22-62240-00	Harness, Evaporator, W/Low Pressure Switch, 12 VDC	NSI
	AC022-717	Harness, Evaporator, 24 VDC (OBSOLETE)	NSI
10	AC801-529 Washer, Snap Cap	8
11	AC801-532 Snap Cap, Gray	8
12	- Screw, Pan Head, Phillips, #10 X 5/8 Inch, AB, Black	NSI
13	AC801-529 Washer, Snap Cap	8
14	AC801-531 Snap Cap, White	8
15	- Screw, Pan Head, Phillips, #10 X 5/8 Inch, AB, Black	NSI
16	AC201-412	Switch, Low Pressure	1
17	AC801-202	O-Ring, 1/2 Inch, TXV	2
18	79-02383-00	Drain Pan Assembly	1



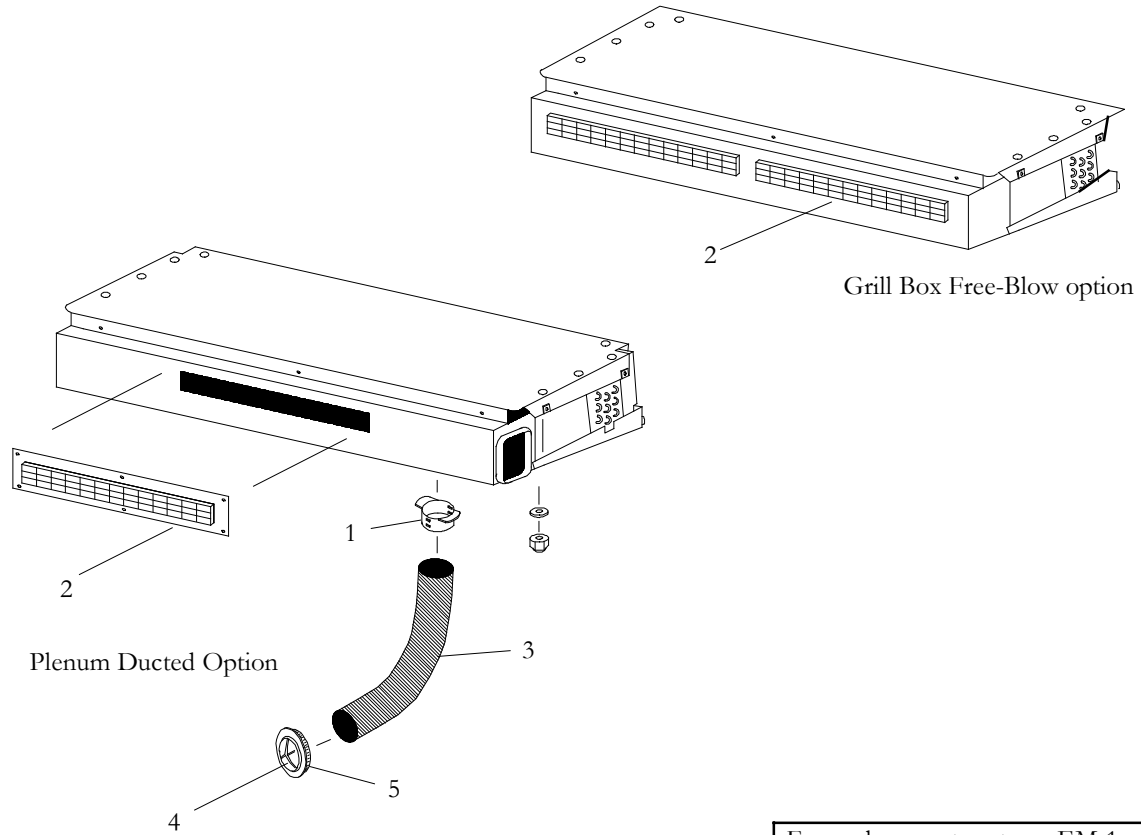
1.1.2 EVAPORATOR, EM-1, GEN 4 CHASSIS KIT WITH HEAT



Item	Part Number	Description	Qty
1	AC801-405	Filter, Return Air (.090 Thick x 8.00 x 35.38 Inches)	1
2	AC022-313	Baffel, Drain Pan, Foam	1
3	N/A	Angle, Bracket, Harness Stand-Off	2
4	08-62059-00	Coil Assembly, Evaporator/Heater, With Low Pressure Switch Connection	1
5	12-00685-00	Thermostat, Freeze-Up, Non-Adjustable	1
6	54-00588-00	Fan & Motor Assembly, Evaporator, 12 VDC	2
7	76-62019-00	Resistor Kit, (1.8 Ohm, 4 Prong)	2
8	AC201-412	Switch, Pressure, Low, Non-Adjustable	1
9	14-00397-00	Valve, Thermal Expansion, Block Type, R134a	1
10	AC801-202	O-Ring, 1/2 Inch, HNBR	2
11	42-00032-00	Tape, Insulation, Presssite, 2.00 x 30.00 Feet Long	1



1.1.3 PLENUM & GRILL BOX FOR EVAPORATORS EM-1 & 2, GEN 4



For replacement parts on EM-1 with serial #1-025002 to #1-.

For replacement parts on EM-2 with serial #2-012001 to #2-.

Item	Part Number	Description	Qty
1	AC401-307	Adapter, Hose, 2-1/2 Inch	2
2	AC401-320	Louver, 14-3/8 Inch X 3-3/8 Inch	2
3	AC301-205	Duct, Hose, 2-1/2 inch X foot	3
4	23-0582	Louver, Ball, 2-1/2 inch with Hose Back (Was 58-01386-00)	2
5	AC401-306	Ring, Mounting, Louver Ball	2



**OPTION TABLE - EM1 - GEN V,
12 VDC - 3 Speed**

MODEL EM1 Gen V 77-62512	Cover Kit (see Section 1.1.6)	Chassis Kit (see Section 1.1.4)	Wire Harness (see Section 1.1.5)
-00	-	1	1
-01	-	1	2
-05	-	1	1 & 5
-06	-	1	1 & 7
-07	-	1	1 & 7
-21	1	1	1 & 5
-22	1	1	1 & 5
-23	2	1	1 & 5
-31	1	1	1 & 5
-32	1	1	1 & 5
-41	1	1	1 & 5
-42	1	1	1 & 5
-44	1	1	1 & 5
-45	1	1	1 & 5
-46	1	1	2
-47	1	1	1 & 5
-48	-	1	1 & 5
-51	2	1	1 & 5
-52	2	1	1 & 5
-61	2	1	1 & 5
-62	2	1	1 & 5
-64	2	1	2
-80	1	1	1 & 6
-81	1	1	1 & 6
-82	1	1	1 & 6
-83	1	1	1 & 6
-85	1	1	1 & 5
-90	2	1	1 & 7
-91	2	1	1 & 7
-95	1	1	1 & 5
-96	1	1	1 & 5

**OPTION TABLE - EM1 - GEN V
12 VDC - Variable Speed**

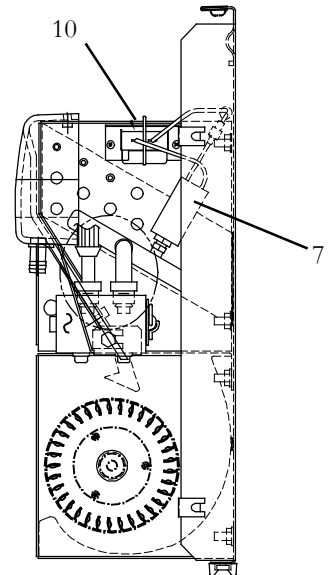
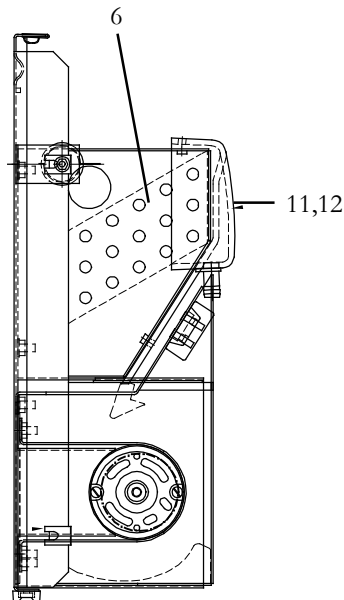
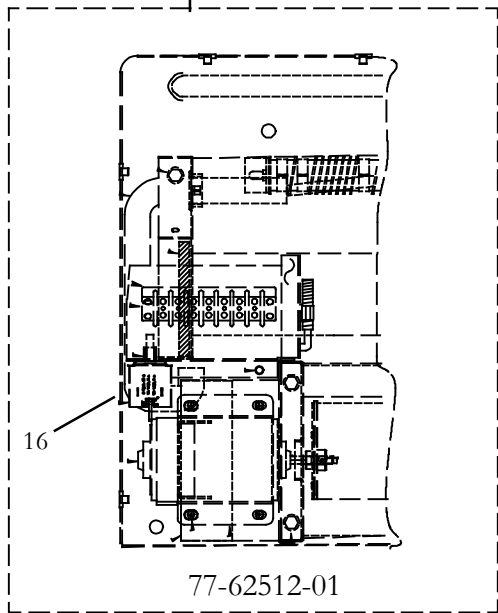
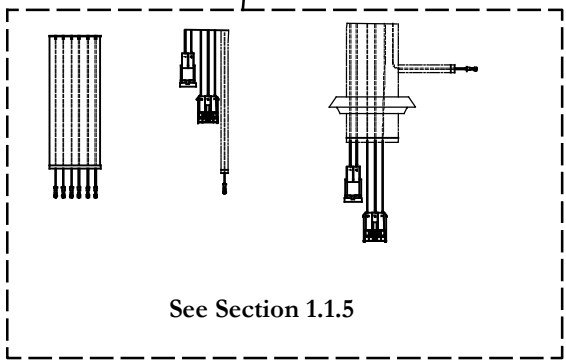
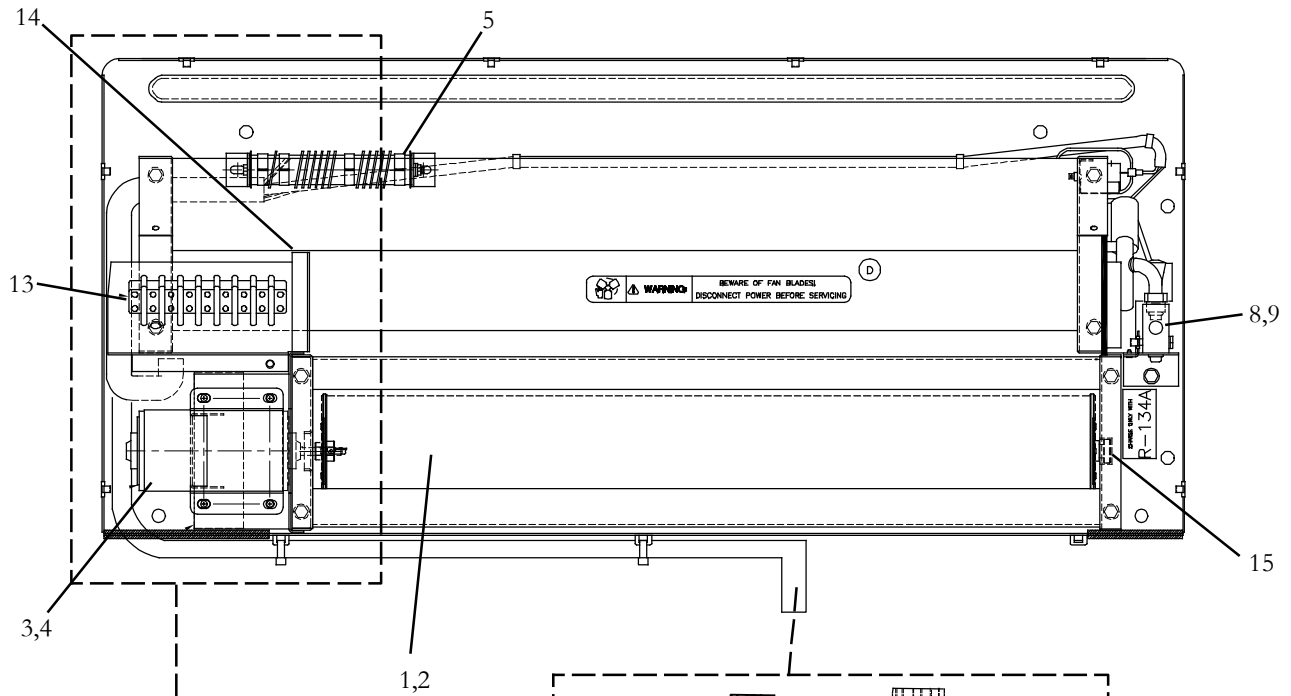
MODEL EM1 Gen V 77-62112	Cover Kit (see Section 1.1.6)	Chassis Kit (see Section 1.1.4)	Wire Harness (see Section 1.1.5)
-00	-	1	3
-01	-	1	4
-21	1	1	3
-22	1	1	3
-31	1	1	3
-32	1	1	3
-41	1	1	3
-42	1	1	3
-44	1	1	3
-45	1	1	3
-51	2	1	3
-52	2	1	3
-61	2	1	3
-62	2	1	3
-80	1	1	3 & 8
-82	1	1	3 & 8

**OPTION TABLE - EM1 - GEN V
24 VDC - Variable Speed**

MODEL EM1 Gen V 77-62124	Cover Kit (see Section 1.1.6)	Chassis Kit (see Section 1.1.4)	Wire Harness (see Section 1.1.5)
-00	N/A	1	3
-41	1	1	3
-42	1	1	3
-61	2	1	3
-62	2	1	3



1.1.4 EM-1, GEN-V, 3 SPEED CHASSIS KITS 77-62512-XX (COMMON PARTS): OPTION 1



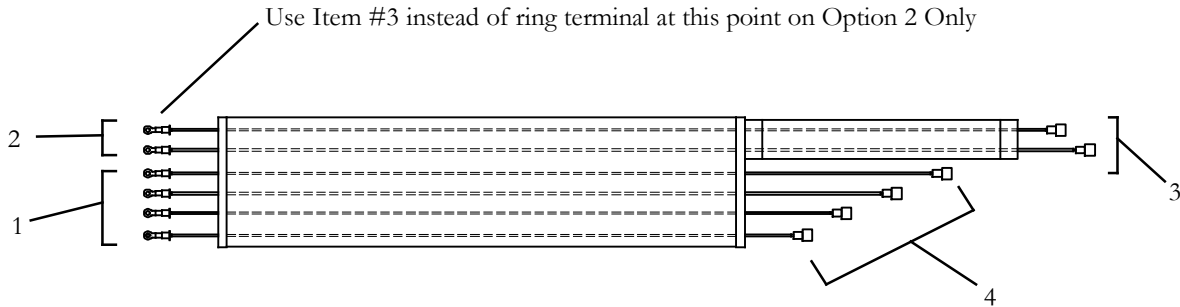


1.1.4 EM-1, GEN-V, 3 SPEED CHASSIS KITS 77-62512-XX (COMMON PARTS) - Cont:			
Item	Part Number	Description	Qty
1	38-00564-50Blower Wheel (Length: 29.12 Inches - 739.8 mm)	1
2	34-00482-05Set Screw, Cup Point, 1/4-28, SST	1
3	Y45-00005-50	Motor, Evaporator, EM-1, 12 VDC, (GEN-V)	1
	22-62328-00Fuse, 40A (Gen V 12 VDC)	1
4	Y45-00005-53	Motor, Evaporator, EM-1, 24 VDC, (GEN-V)	1
	22-62328-02Fuse, 25A (Gen V 24 VDC)	NSI
5	22-62169-00	Resistor, Fan Speed, 220 Watt, .820 OHM (3 Speed Application ONLY)	1
6	08-01068-00Coil Assembly, EM-1	1
7	AC201-412Switch, Pressure, Low	1
8	14-00397-00Valve, Thermal Expansion, R134a	1
9	AC801-202O-Ring, 1/2 Inch	2
10	12-00685-00	Thermostat, Freeze, Non-Adjustable	1
11	79-62106-00	Drain Pan Assembly, EM-1 - Includes:	1
12	42-62140-00Baffle, Drain Pan, Foam	1
13	22-62100-00	Terminal Block, 7 Position, With Screws	1
14	58-62064-00F25	Trim Seal, 1/8 Inch Grip, (25 Foot Roll)	1
15	76-62257-00	Bearing Housing & Boot Repair Kit	1
16	AC201-500	Thermostat, Return Air Sensor (Used on 77-62512-01, -46 & -64 ONLY)	1



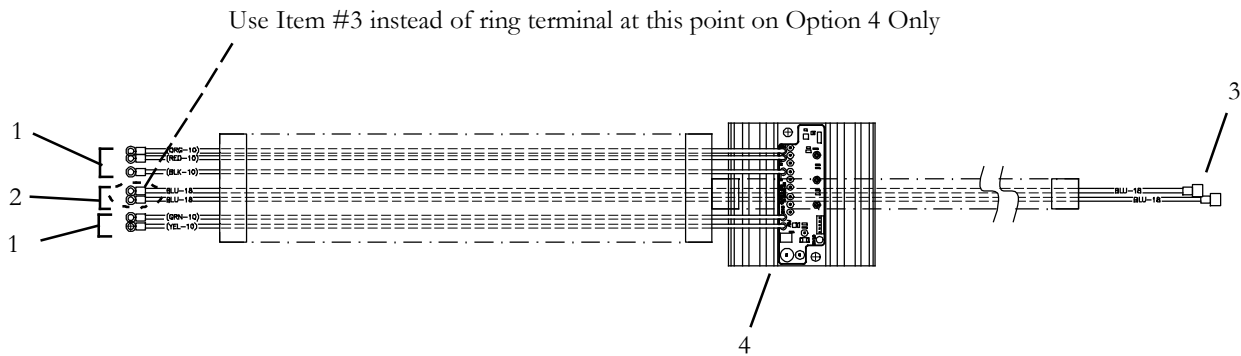
NOTE: Complete Wire Harnesses are Non-Stock Items. Replacement Components are Listed and can be cross referenced to supplier part number in manual T-375PL.

1.1.5 EM1 GEN-V, Wire Harness 22-62168-00 & -01: OPTION 1 & OPTION 2



Item	Part Number	Description	Qty
1	22-00119-03	Terminal Ring #10, 12/10 AWG (AMP# 2-34170-1)	4
2	22-00121-27	Terminal Ring #10, 22/18 AWG (AMP# 2-34149-1)	2
3	22-02245-02	Terminal, Female, Insulated Faston Straight 1/4", 22/18 AWG (AMP# 2-520405-2)	2/3
4	31-1247	Terminal, Female, Insulated Faston Straight 1/4", 12/10 AWG (TE# 4-520447-2)	4

1.1.5 EM1 GEN-V, Wire Harness 22-62099-00 & -01: OPTION 3 & OPTION 4

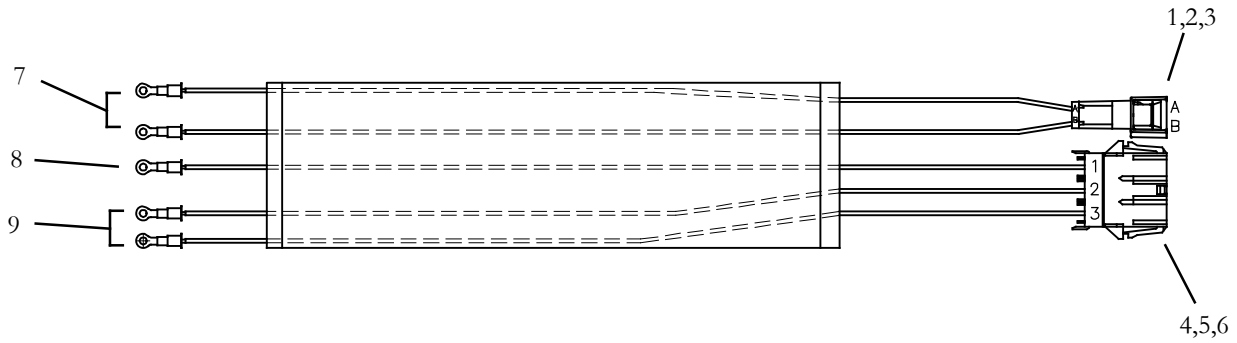


Item	Part Number	Description	Qty
1	22-01140-02	Terminal Ring #10, 12/10 AWG (AMP# 35109)	5
2	22-00121-27	Terminal Ring #10, 22/18 AWG (AMP# 2-34149-1)	2
3	22-02245-02	Terminal, Female, Insulated Faston Straight 1/4", 22/18 AWG (AMP# 2-520405-2)	2/4
4	22-62099-00	Speed Controller w/Harness (Was 12-00533-00)	1



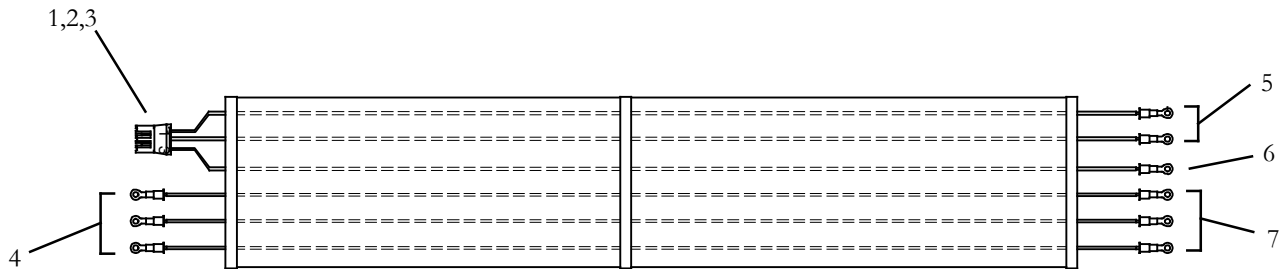
NOTE: Complete Wire Harnesses are Non-Stock Items. Replacement Components are Listed and can be cross referenced to supplier part number in manual T-375PL.

1.1.5 EM1 GEN-V, Wire Harness 22-62286-00: OPTION 5



Item	Part Number	Description	Qty
1	22-50099-37	Connector, Male, 2 Way, MP 280 Series, Unsealed (Delphi# 12129155)	1
2	22-50099-37A	Terminal, Male, 16/18 AWG (Delphi# 12034047)	2
3	22-50099-37D	Lock, Secondary (Delphi# 12129157)	1
4	22-50099-32	Connector, Plug Housing, 3 Way, (Molex# 42818-0312)	1
5	22-50099-32A	Terminal, Male, Molex 10/12 AWG (Molex# 42817-0011)	2
6	22-50099-32B	Terminal, Male, Molex, 8 AWG (Molex# 42817-0031)	1
7	22-00121-27	Terminal Ring #10, 22/18 AWG (AMP# 2-34149-1)	2
8	22-00119-03	Terminal Ring #10, 12/10 AWG (AMP# 2-34170-1)	2
9	22-00872-01	Terminal Ring #10, 8 AWG (AMP# 52263-1)	1

1.1.5 EM1 GEN-V, Wire Harness 22-62261-00: OPTION 6

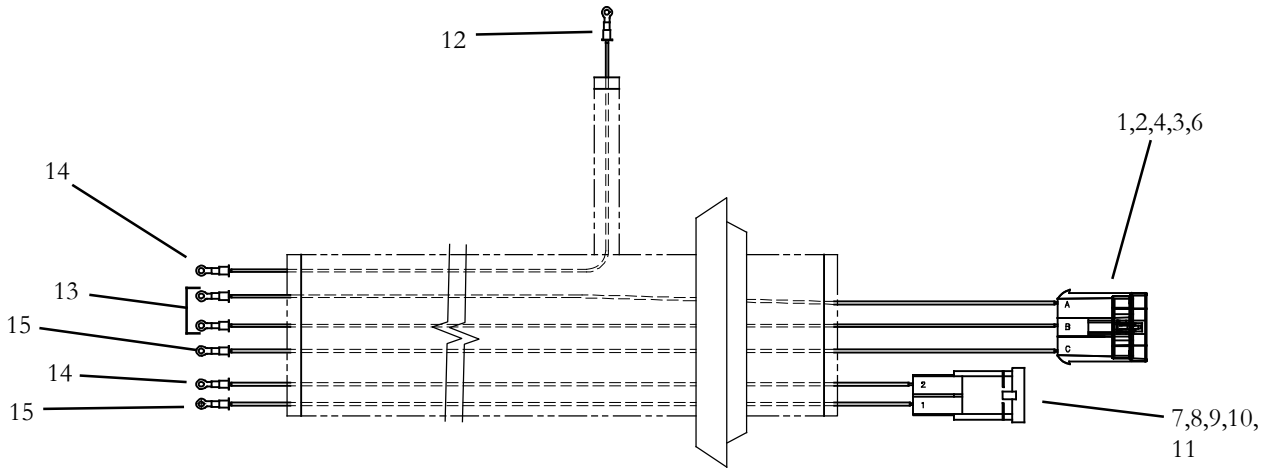


Item	Part Number	Description	Qty
1	Y31-00007-00	Connector, Female, 3 Way (Molex# 44441-2003)	1
2	Y31-00007-50	Terminal, Female, 18-20 AWG (Molex# 43375-2001)	2
3	Y31-00007-51	Terminal, Female, 14-16 AWG (Molex# 43375-1001)	1
4	22-01140-04	Terminal, Ring $\frac{3}{8}$ ", 12/10 AWG (AMP# 2-320577-3)	3
5	22-00121-27	Terminal, Ring, #10 - 18 AWG (AMP# 2-34149-1)	2
6	22-01139-02	Terminal, Ring, #10 - 14/16 AWG (Tyco# 51864-2)	1
7	22-01140-02	Terminal, Ring, #10 - 12/10 AWG (AMP# 35109)	3



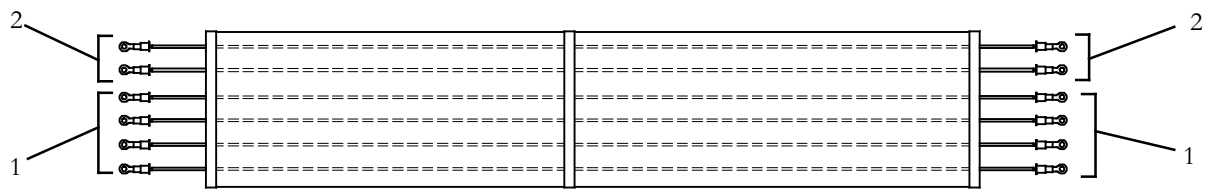
NOTE: Complete Wire Harnesses are Non-Stock Items. Replacement Components are Listed and can be cross referenced to supplier part number in manual T-375PL.

1.1.5 EM1 GEN-V, Wire Harnesses 22-62247-00 & 22-62204-00: OPTION 7



Item	Part Number	Description	Qty
1	22-50078-86	Connector, Male, M/P 630, 3 Way (Delphi# 12124686)	1
2	22-50078-49A	Terminal, Male, 18 AWG (Delphi# 12064734)	2
3	-	Cable Seal, 18AWG (Delphi# 12059259)	2
4	22-50078-49C	Terminal, Male, 12 AWG (Delphi# 12064737)	1
5	-	Cable Seal, 12 AWG (Delphi# 12059260)	1
6	22-50078-86A	Lock, Secondary (Delphi# 12045699)	1
7	22-50098-67	Connector, Male, 2 Way (Tyco# 1544334-1)	1
8	22-50098-67B	Terminal, Male, 8 AWG (Tyco# 1544333-1)	1
9	22-50098-67A	Terminal, Male, 10/12 AWG (Tyco# 1544332-1)	1
10	22-50098-67C	Cable Seal, 10/12 AWG (Tyco# 1544316-1)	1
11	22-50098-67D	Cable Seal, 8 AWG (Tyco# 1544316-2)	1
12	22-00872-03	Terminal, Ring 5/16" , 8 AWG (AMP# 52291)	2
13	22-00121-27	Terminal, Ring, #10 - 18 AWG (AMP# 2-34149-1)	2
14	22-00872-01	Terminal, Ring, #10 - 8 AWG (AMP# 52263-1)	2
15	22-00119-03	Terminal, Ring, #10 - 12/10 AWG (AMP# 2-34170-1)	2

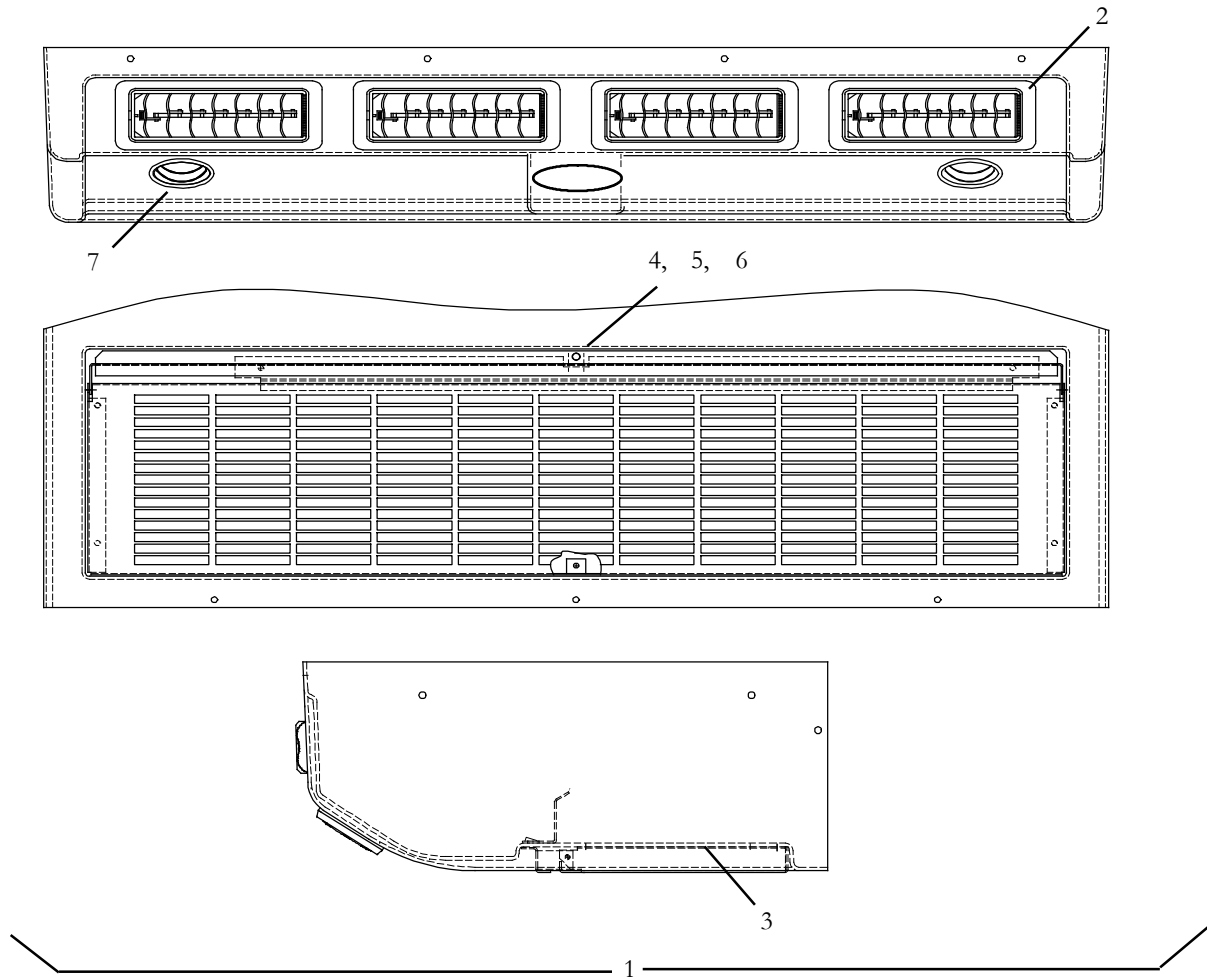
1.1.5 EM1 GEN-V, Wire Harness 22-62194-00: OPTION 8



Item	Part Number	Description	Qty
1	22-01140-02	Terminal Ring #10, 10 AWG (AMP# 35109)	8
2	22-00121-27	Terminal Ring #10, 22/18 AWG (AMP# 2-34149-1)	4



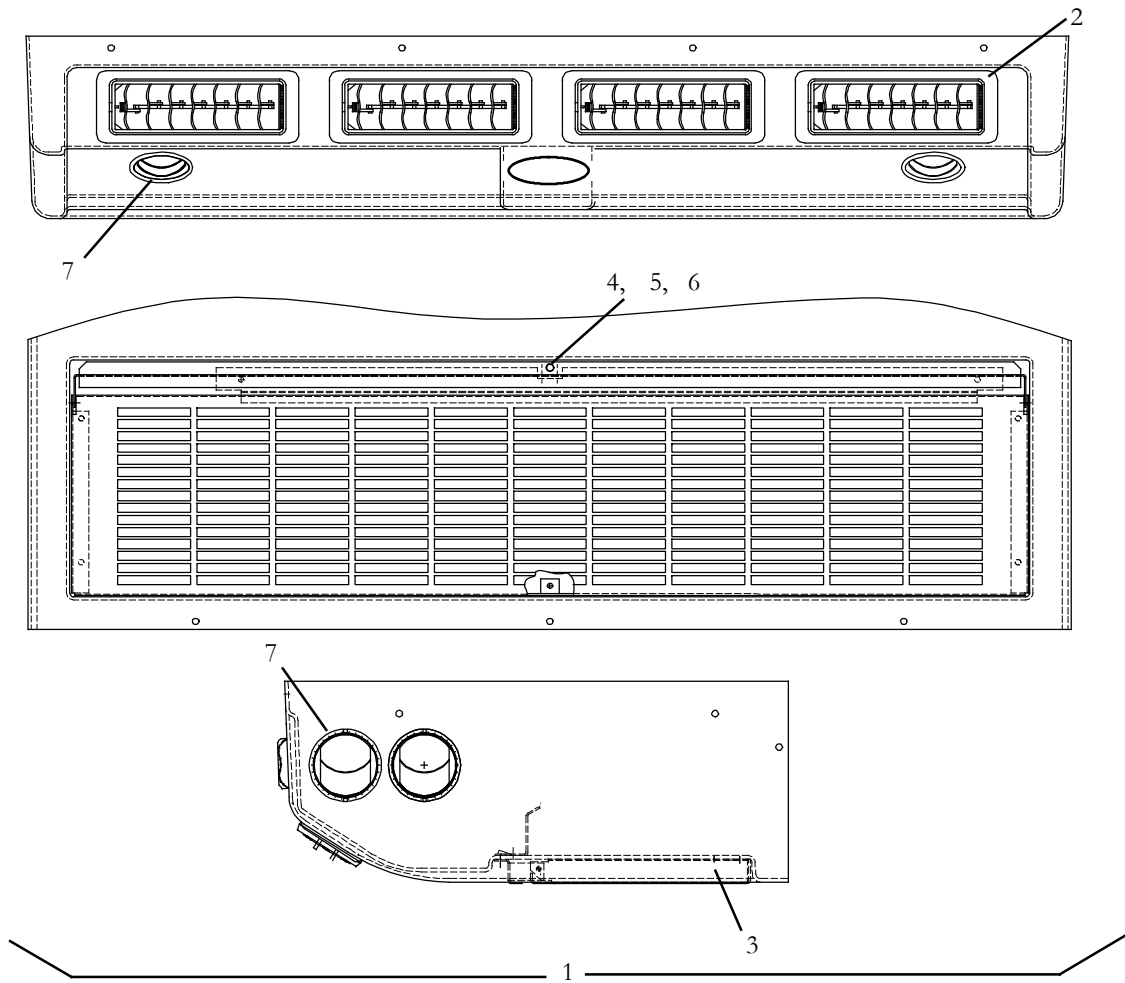
1.1.6 COVER ASSEMBLY, EM-1, GEN-V, 3 SPEED, REAR MOUNT - OPTION 1



Item	Part Number	Description	Qty
1	79-62035-01	Cover Assembly, Complete, Rear Mount, White - Includes:	1
	79-62035-02	Cover Assembly, Complete, Rear Mount, Gray - Includes:	1
2	58-62042-00Louver, Rectangle (8.0 X 3.0 Inches)	4
3	38-00573-01Filter, Air, EM-1, 36.5 X 9 Inches (GenV)	1
4	34-62019-00Receptacle, 1/4 Turn	1
5	34-62020-00Stud, 1/4 Turn, .25 Grip Range	1
6	34-06169-01Washer, Retaining, .215 I. D.	1
7	58-62077-00Louver, Adjustable, 3.00 Inch (Round)	2



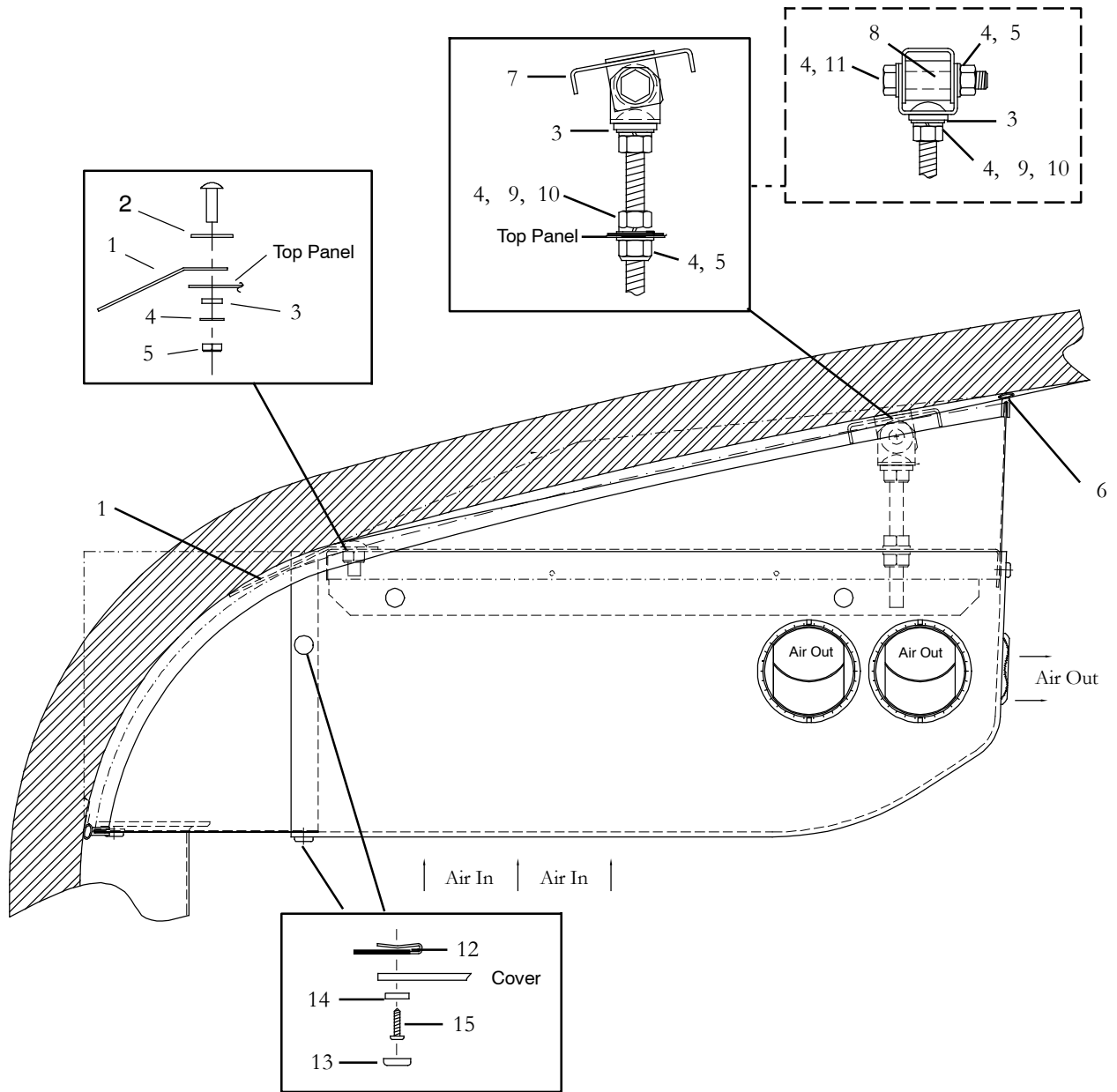
1.1.6 COVER ASSEMBLY, EM-1, GEN-V, 3 SPEED, SIDE MOUNT - OPTION 2



Item	Part Number	Description	Qty
1	79-62036-01	Cover Assembly, Complete, Side Mount, White - Includes:	1
	79-62036-02	Cover Assembly, Complete, Side Mount, Gray - Includes:	1
2	58-62042-00Louver, Rectangle (8.0 X 3.0 Inches)	4
3	38-00573-01Filter, Air, EM-1, 36.5 X 9 Inches (GenV)	1
4	34-62019-00Receptacle, 1/4 Turn	1
5	34-62020-00Stud, 1/4 Turn, .25 Grip Range	1
6	34-06169-01Washer, Retaining, .215 I. D.	1
7	58-62077-00Louver, Adjustable, 3.00 Inch (Round)	6



1.1.7 MISCELLANEOUS INSTALLATION COMPONENTS, EM-1, GEN-V, SIDE MOUNT



Item	Part Number	Description	Qty
1	68-63875-00	Rear Hanger, Side Mount	1
2	68-63874-00	Plate, Washer	2
3	AC601-602	Spacer, Steel, 7/8 OD X 1/2 ID X 1/8 Inch Long	2
4	NSI	Washer, Flat, 3/8 Inch, Zinc Plated	8
5	NSI	Nut, Hex, Lock, 3/8-16, Zinc Plated	6
6	AC801-412F25	Gasket, Trimlock, Black (25 Ft. Roll)	1
7	AC020-174	Bracket, Weld Assembly, Front Hanger	1
8	601-616	Spacer, Steel, 7/8 OD X 1/2 ID X 1 Inch Long (Was AC601-616)	2
9	NSI	Washer, Split Lock, 3/8 Inch, Zinc Plated	6



1.1.7 INSTALLATION COMPONENTS, EM-1, GEN-V, SIDE MOUNT - Continued:			
Item	Part Number	Description	Qty
10	NSI	Nut, Hex, 3/8-16, Zinc Plated	4
11	NSI	Bolt, Hex Head, 3/8-16 X 2 Inch, Zinc Plated, Grade 8	2
12	AC701-123	Tinnerman Clip, Hi Torque, #10 AB	8
13	AC801-531	Cap, Snap, White	8
	AC801-532	Cap, Snap, Gray	8
14	AC801-529	Washer, Snap Cap	8
15	NSI	Screw, Pan Head Phillips, #10 X 5/8 Inch, AB, Black	8

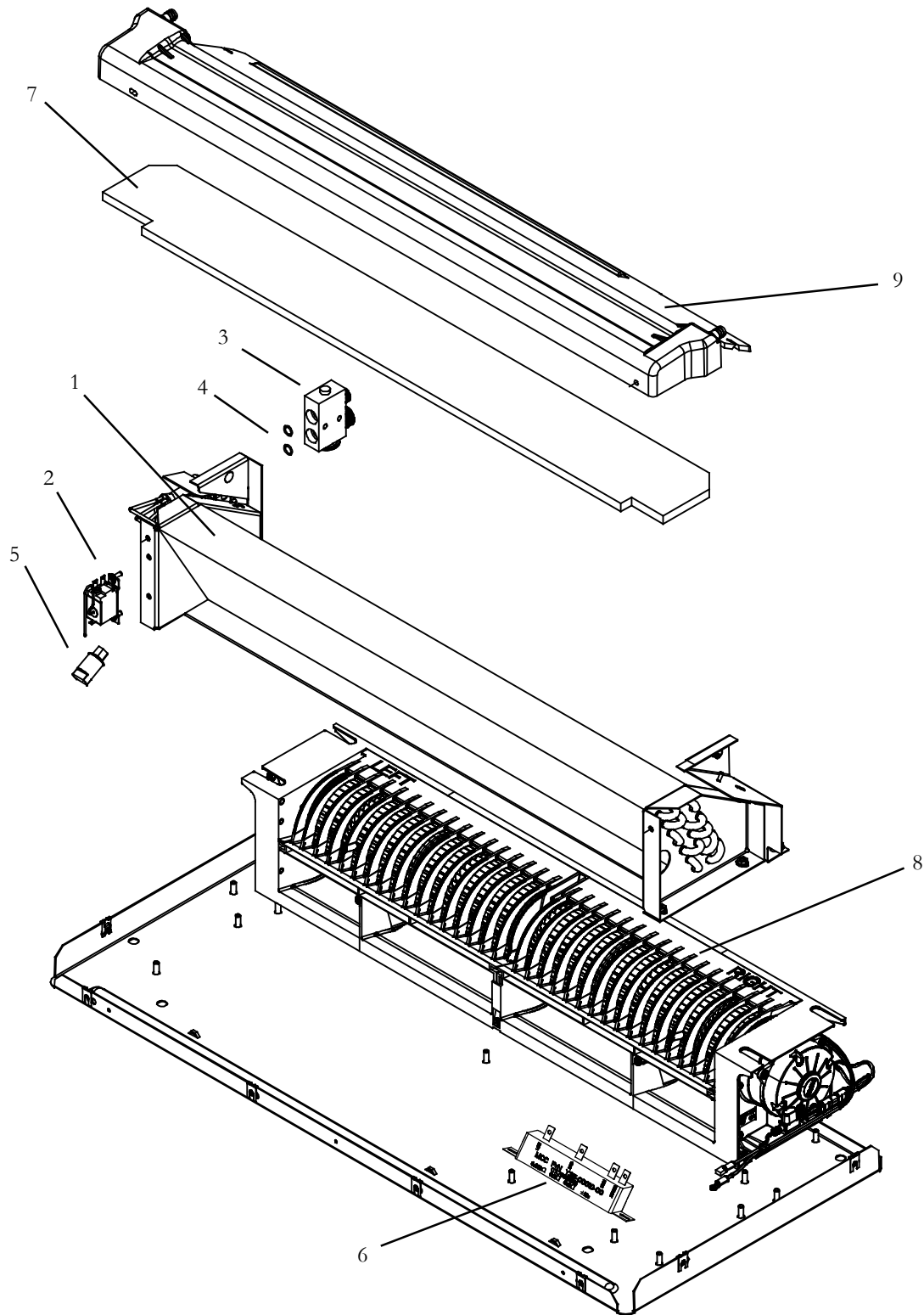


OPTION TABLE - EM1 - GEN VI

MODEL EM1 Y19-EM101	Cover Kit (see Section 1.1.9)	Chassis Kit (see Section 1.1.8)	Wire Harness (see Section 1.1.10)
-21	1	1	1
-22	1	1	1
-23	2	1	1
-25	2	1	1
-31	1	1	1
-32	1	1	1
-41	1	1	1
-42	1	1	1
-44	1	1	1
-45	1	1	1
-47	1	1	1
-48	1	1	4
-61	2	1	1
-62	2	1	1
-64	2	1	1
-81	1	1	2
-83	1	1	2
-84	1	1	4
-86	-	1	4
-87	-	1	4
-91	2	1	3
-96	1	1	1



1.1.8 EM-1, GEN-VI, 3 SPEED CHASSIS KITS : OPTION 1



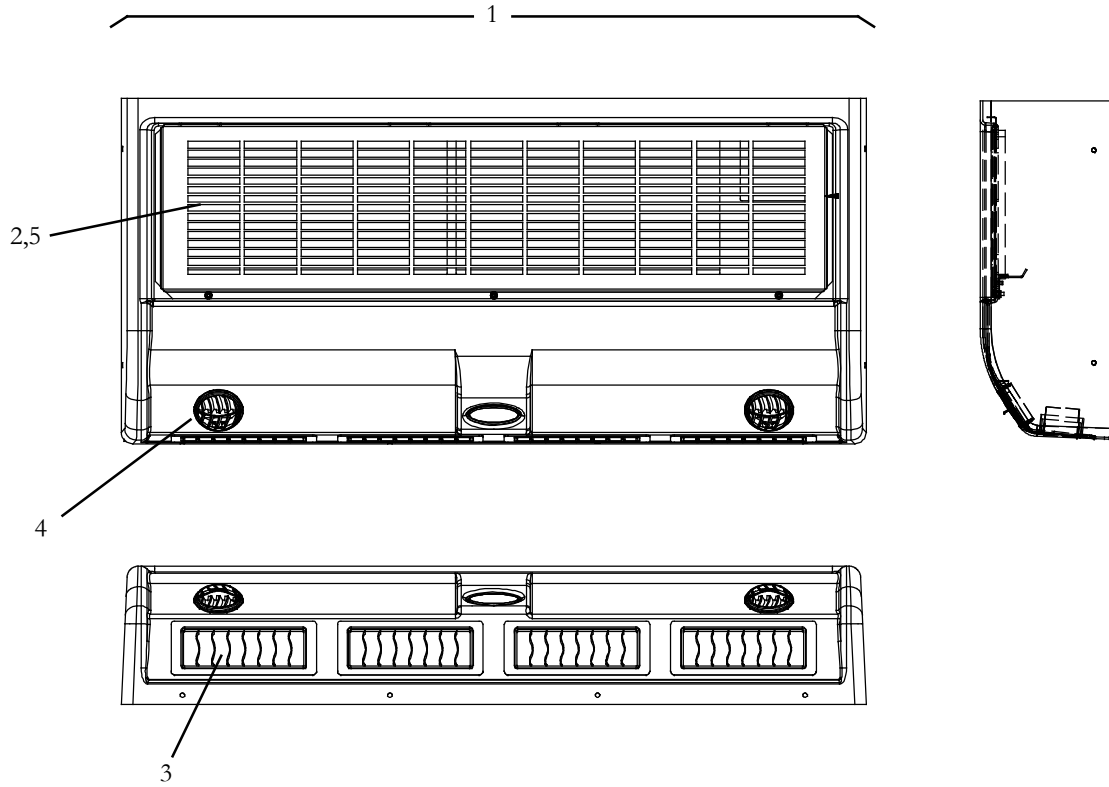
NOTE: See Option Table and Section 1.1.10 for Wire Harnesses



1.1.8 EM-1, GEN-VI, 3 SPEED CHASSIS KITS) : OPTION 1- Cont:			
Item	Part Number	Description	Qty
1	08-01068-00	Coil Assembly, Evaporator	1
2	12-00685-00	Thermostat	1
3	14-00397-00	Expansion Valve	1
4	AC801-202	O-Rings, 1/2" HN BR	2
5	AC201-412	Pressure Switch, Low	1
6	Y35-00010-00	Resistor, 12 VDC, With Screw Terminals	1
7	42-62140-00	Baffle, Evaporator	1
8	54-00646-00	Blower Assembly, 12VDC, Includes:	1
9	79-62106-00	Drain Pan (Was 58-62186-00)	1



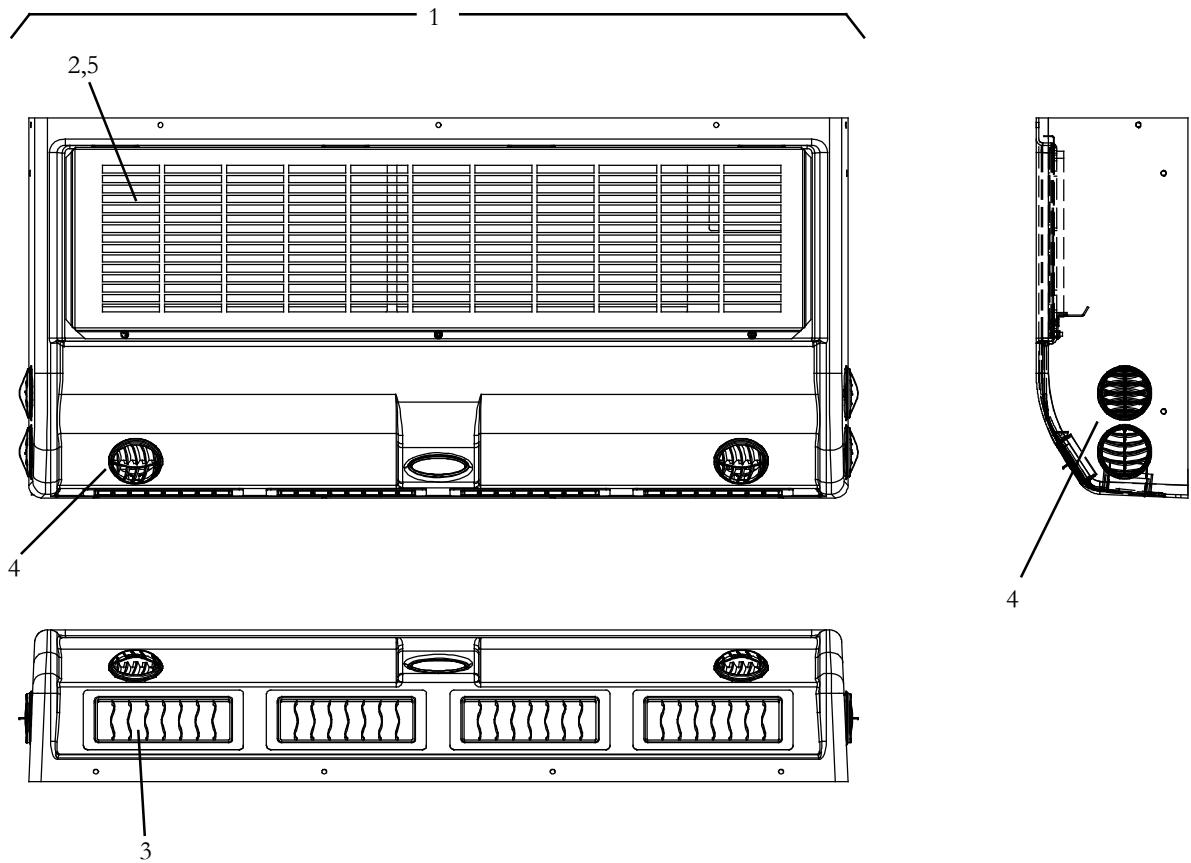
1.1.9 EM-1, GEN-VI, COVER ASSEMBLY, REAR MOUNT : OPTION 1



Item	Part Number	Description	Qty
1	Y28-00025-00	Cover Assembly, Gray	1
	Y28-00025-01	Cover Assembly, White	1
2	38-00573-01	Filter, Air	1
3	58-62042-00	Diffuser, Air, Adjustable Rectangular	4
4	Y23-00002-00	Louver, 2.5" Fixed Vane	2
5	Y24-00108-00	Grille, Return Air	1



1.1.9 EM-1, GEN-VI, COVER ASSEMBLY, SIDE MOUNT: OPTION 2

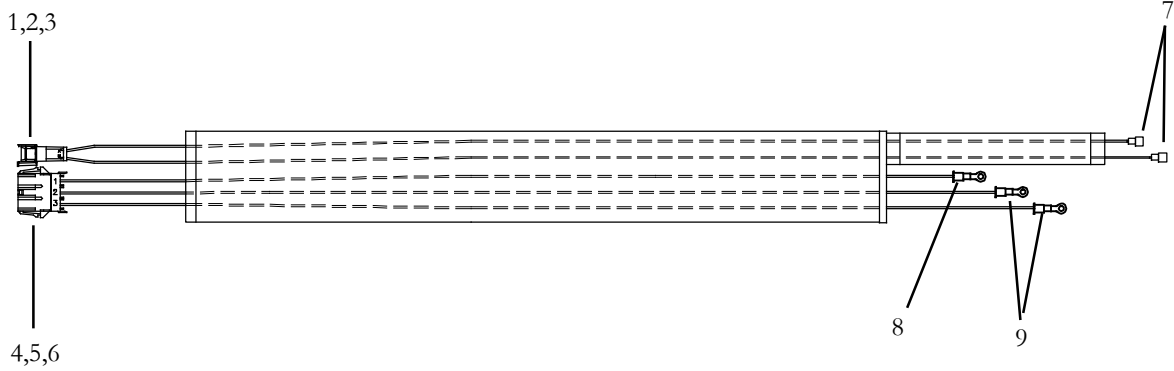


Item	Part Number	Description	Qty
1	Y28-00025-02	Cover Assembly, Gray	1
	Y28-00025-03	Cover Assembly, White	1
2	38-00573-01	Filter, Air	1
3	58-62042-00	Diffuser, Air, Adjustable Rectangular	4
4	Y23-00002-00	Louver, 2.5" Fixed Vane	6
5	Y24-00108-00	Grille, Return Air	1



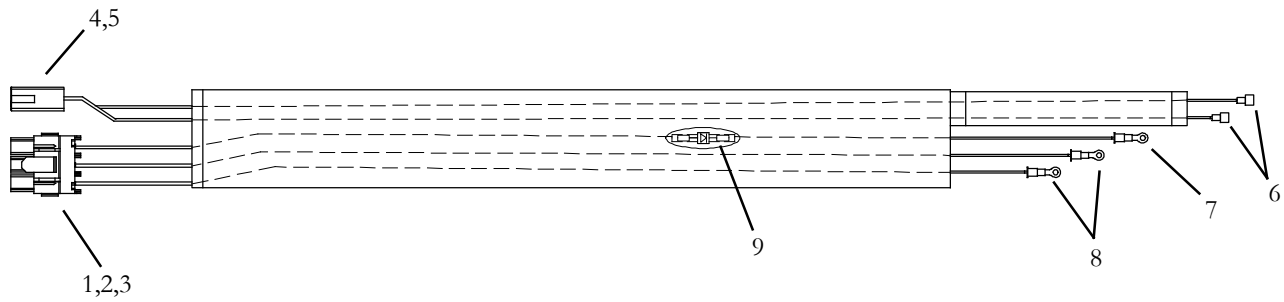
NOTE: Complete Wire Harnesses are Non-Stock Items. Replacement Components are Listed and can be cross referenced to supplier part number in manual T-375PL.

1.1.10 EM1 GEN-VI, Wire Harness 22-62303-00: OPTION 1



Item	Part Number	Description	Qty
1	22-50099-37	Connector, Male, MP 280 Series, Unsealed (Delphi# 12129155)	1
2	22-50099-37A	Terminal, Male, 16/18 AWG (Delphi# 12034047)	2
3	22-50099-37D	Lock, Secondary (Delphi# 12129157)	1
4	22-50099-32	Connector, Plug Housing, 3 Way, (Molex# 42818-0312)	1
5	22-50099-32A	Terminal, Male, 10/12 AWG (Molex# 42817-0011)	2
6	22-50099-32B	Terminal, Male, 8 AWG (Molex# 42817-0031)	1
7	22-02245-02	Terminal, Female, Fully Insulated, 22/18 AWG (AMP# 2-520405-2)	2
8	22-00872-01	Terminal, Ring, #10 - 8 AWG (AMP# 52263-1)	1
9	22-01140-02	Terminal, Ring, #10 - 12/10 AWG (AMP# 35109)	2

1.1.10 EM1 GEN-VI, Wire Harness Y25-00145-00: OPTION 2

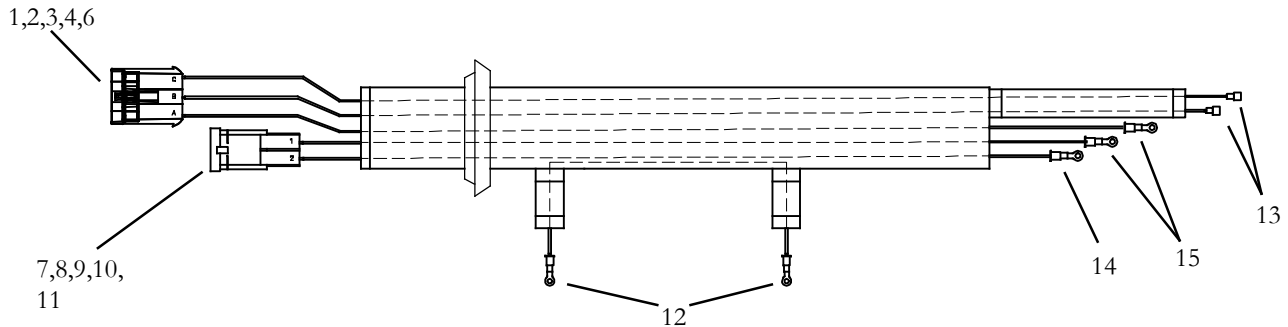


Item	Part Number	Description	Qty
1	22-50099-31	Connector, Receptacle, 3 Way (Molex# 42816-0312)	1
2	Y31-00044-02	Terminal, Female, 14-16 AWG (Molex# 42815-0144)	1
3	Y31-00044-01	Terminal, Female, 10-12 AWG (Molex# 42815-0114)	2
4	Y31-00043-04	Connector, Receptacle, 2 Way, 18 AWG (TE Connectivity # 180907-5)	1
5	NSI	Terminal, Female, 18 AWG (TE Connectivity 640417-2)	2
6	22-02245-02	Terminal, Female, Fully Insulated, 22/18 AWG (AMP# 2-520405-2)	2
7	22-01139-02	Terminal, Ring, #10 - 14/16 AWG (Tyco# 51864-2)	1
8	22-01140-02	Terminal, Ring, #10 - 12/10 AWG (AMP# 35109)	2
9	AC201-600	Diode, 6 AMP, 250 V	1



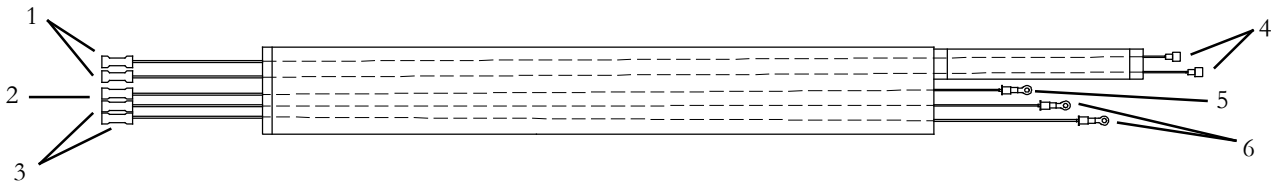
NOTE: Complete Wire Harnesses are Non-Stock Items. Replacement Components are Listed and can be cross referenced to supplier part number in manual T-375PL.

1.1.10 EM1 GEN-VI, Wire Harness 22-62303-02: OPTION 3



Item	Part Number	Description	Qty
1	22-50078-86	Connector, Male, M/P 630, 3 Way (Delphi# 12124686)	1
2	22-50078-49A	Terminal, Male, 18 AWG (Delphi# 12064734)	2
3	22-50078-49C	Terminal, Male, 12 AWG (Delphi# 12064737)	1
4	22-50078-86B	Cable Seal, 18 AWG (Delphi# 15324995)	2
5	22-50078-53D	Cable Seal, 12 AWG (Delphi# 12052668)	1
6	22-50078-86A	Lock, Secondary (Delphi# 12045699)	1
7	22-50098-67	Connector, Male, 2 Way (Tyco# 1544334-1)	1
8	22-50098-67B	Terminal, Male, 8 AWG (Tyco# 1544333-1)	1
9	22-50098-67A	Terminal, Male, 10/12 AWG (Tyco# 1544332-1)	1
10	22-50098-67C	Cable Seal, 10/12 AWG (Tyco# 1544316-1)	1
11	22-50098-67D	Cable Seal, 8 AWG (Tyco# 1544316-2)	1
12	22-00872-03	Terminal, Ring 5/16" , 8 AWG (AMP# 52291)	2
13	22-02245-02	Terminal, Female, Fully Insulated, 22/18 AWG (AMP# 2-520405-2)	1
14	22-00872-01	Terminal, Ring, #10 - 8 AWG (AMP# 52263-1)	1
15	22-01140-02	Terminal, Ring, #10 - 12/10 AWG (AMP# 35109)	2

1.1.10 EM1 GEN-VI, Wire Harness 22-62303-03: OPTION 4



Item	Part Number	Description	Qty
1	Y31-00032-00	Terminal, Butt Splice Heat Sealable 22/18 AWG (Molex Part # 19164-0013)	2
2	Y31-00032-03	Terminal, Butt Splice Heat Sealable 8 AWG (Molex Part # 19164-0079)	1
3	Y31-00032-02	Terminal, Butt Splice Heat Sealable 12/10 AWG (Molex Part # 19164-0056)	2
4	22-02245-02	Terminal, Female, Fully Insulated, 22/18 AWG (AMP# 2-520405-2)	2
5	22-00872-01	Terminal, Ring, #10 - 8 AWG (AMP# 52263-1)	1
6	22-01140-02	Terminal, Ring, #10 - 12/10 AWG (AMP# 35109)	2



OPTION TABLE - EM1 - CLASSIC LINE (12V)

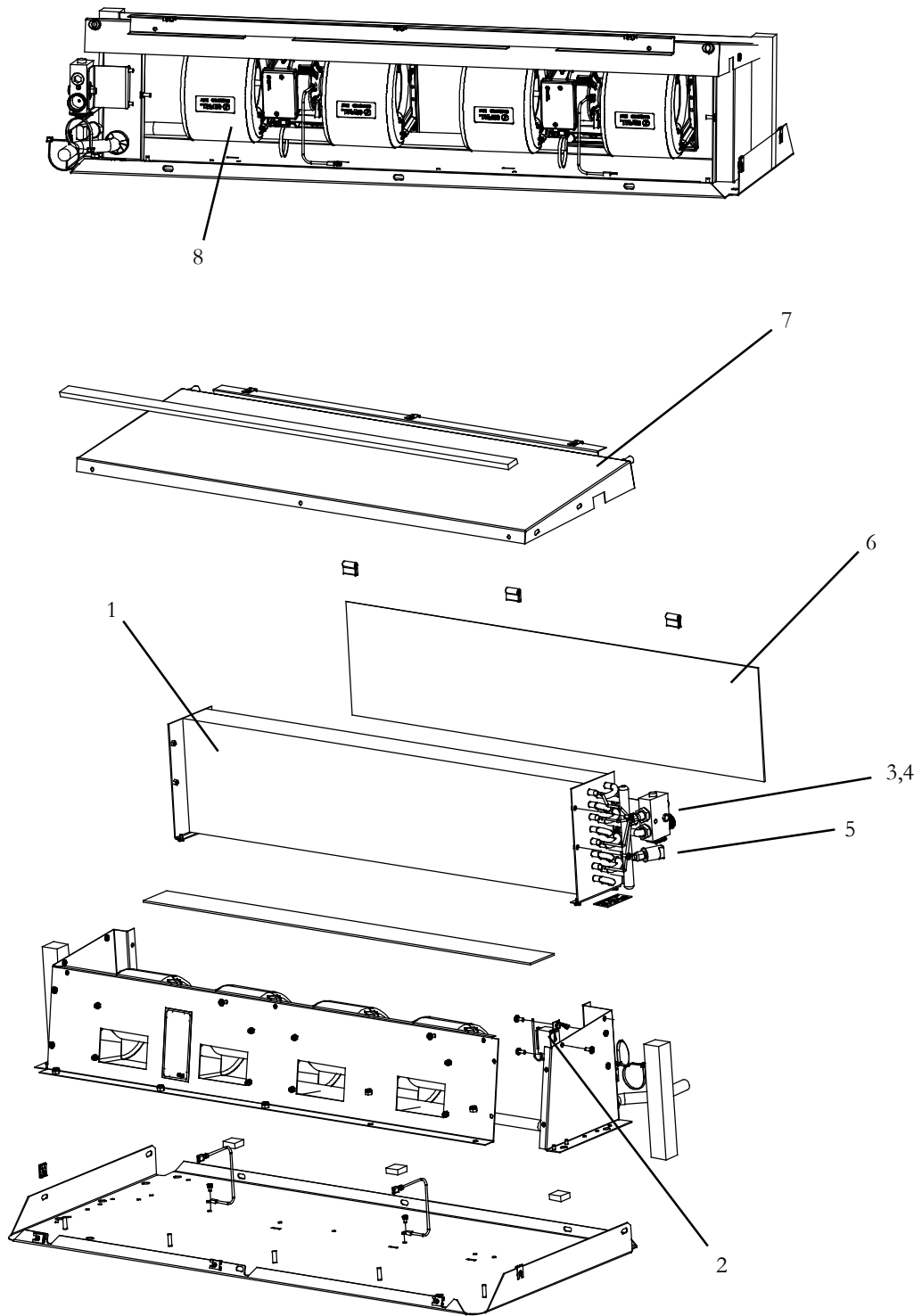
MODEL EM1 Y19-EM107	Cover Kit <small>(see Section 1.1.9)</small>	Chassis Kit <small>(see Section 1.1.11)</small>	Wire Harness <small>(see Section 1.1.14)</small>
-00	-	1	1
-01	-	2	1
-21	2	1	1
-22	1	1	1
-23	2	2	1
-24	1	2	1
-25	1	2	1
-30	2	1	1
-31	1	1	1
-32	2	2	1
-33	1	2	1
-61	4	1	1
-62	3	1	1
-63	4	2	1
-64	3	2	1
-80	2	2	3
-82	1	2	3

OPTION TABLE - EM1 - CLASSIC LINE (24V)

MODEL EM1 Y19-EM106	Cover Kit <small>(see Section 1.1.9)</small>	Chassis Kit <small>(see Section 1.1.11)</small>	Wire Harness <small>(see Section 1.1.14)</small>
-00	-	1	1
-01	-	2	1
-21	2	1	1
-22	1	1	1
-23	2	2	1
-24	1	2	1
-41	2	1	1
-42	1	1	1
-43	2	2	1
-44	1	2	1
-61	4	1	1
-62	3	1	1



1.1.11 EM-1, CLASSIC LINE, 12 & 24 VDC, 3 SPEED CHASSIS KITS , OPTION 1 & 2

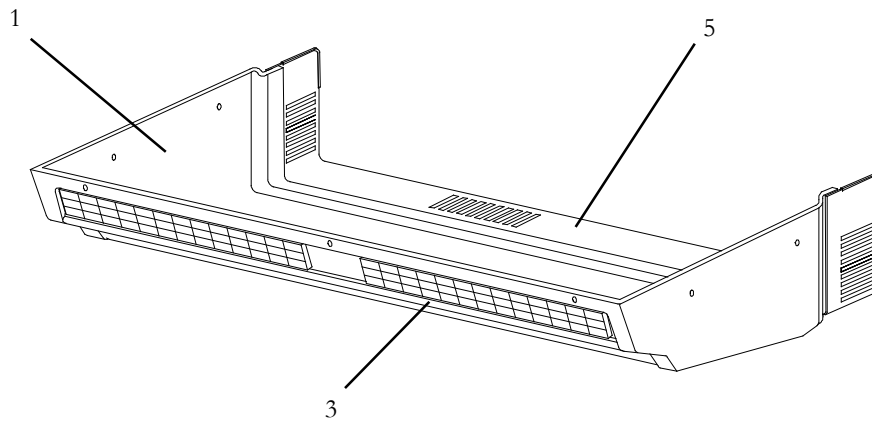




1.1.11 EM-1, CLASSIC LINE, 12 & 24 VDC, 3 SPEED CHASSIS KITS , OPTION 1 & 2, Continued			
Item	Part Number	Description	Qty
1	08-62060-00	Coil Assembly, Evaporator (Cool Only): OPTION 1	1
	08-62059-00	Coil Assembly, Evaporator (With Heat): OPTION 2	1
2	12-00685-00	Thermostat	1
3	14-00397-00	Expansion Valve	1
4	AC801-202	O-Rings, 1/2" HN BR	2
5	AC201-412	Pressure Switch, Low	1
6	AC801-405	Filter, Air	1
	Y23-00018-07	Filter, Air, (MERV 13), 0.50" (Used on Y19-EM107-25 Unit Only)	1
7	79-02383-00	Drain Pan Assembly	1
8	Y15-00003-00	Blower Assembly, 12VDC, w/Resistor	2
	Y15-00003-01	Blower Assembly, 24VDC, w/Resistor	2



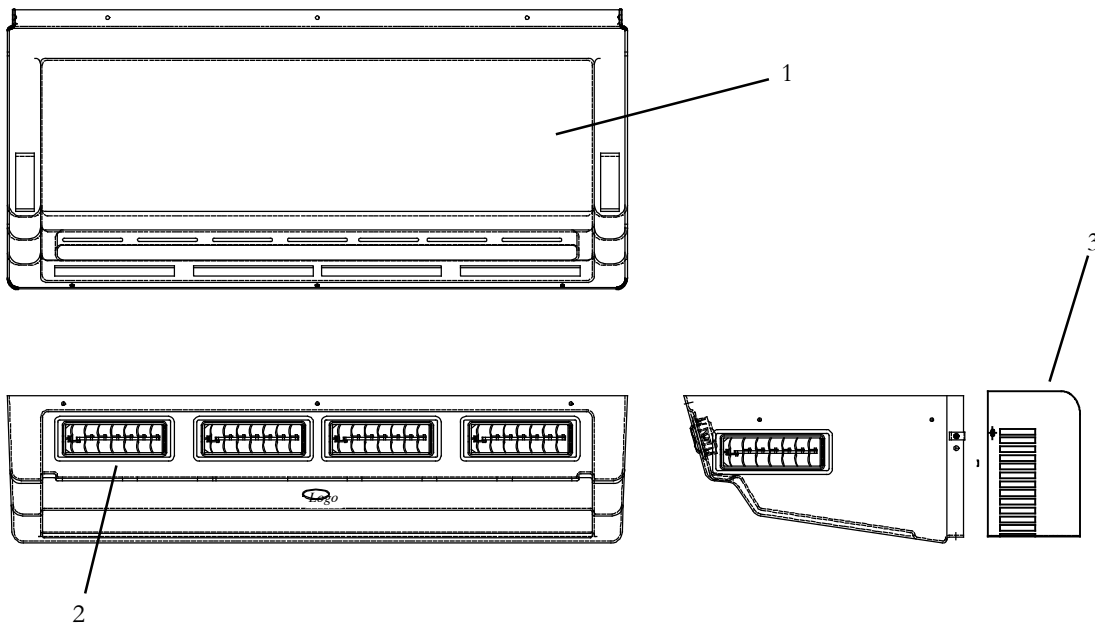
1.1.12 EM-1, CLASSIC LINE, COVER ASSEMBLY, REAR MOUNT : OPTION 1 & 2



Item	Part Number	Description	Qty
1	79-62071-01	Cover Assembly, Gray, Includes: OPTION 1	1
	79-62071-00	Cover Assembly, White, Includes: OPTION 2	1
2	AC401-320	Diffuser, Air, Adjustable Rectangular	2
3	AC022-251	Grille, Return Air	1
NS	76-62103-05	Kit, Hardware (Multicolor, Screws & Caps)	1



1.1.13 EM-1, CLASSIC LINE, COVER ASSEMBLY, SIDE MOUNT : OPTION 3 & 4



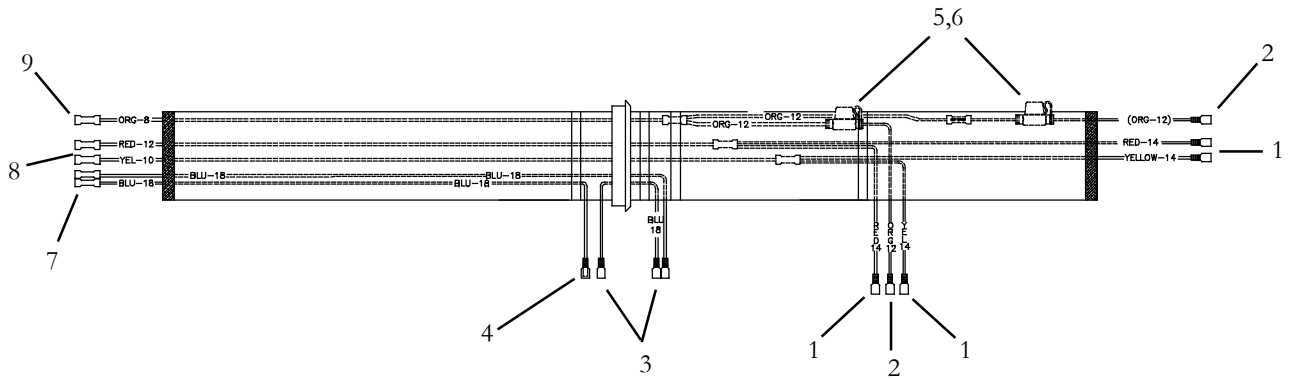
Item	Part Number	Description	Qty
1	79-62075-01	Cover Assembly, Gray, Includes: OPTION 3	1
	79-62075-00	Cover Assembly, White, Includes: OPTION 4	1
2	58-62042-00	Diffuser, Air, Adjustable Rectangular	6
3	022-290	Grille, Return Air (Not included w/cover)	1
NS	76-62103-05	Kit, Hardware (Multicolor, Screws & Caps)	1



NOTE

Complete Wire Harnesses are Non-Stock Items. Replacement Components are Listed and can be cross referenced to supplier part number in manual T-375PL.

1.1.14 EM1 Classic Line, 12 VDC Wire Harness Y25-00099-01, OPTION 1



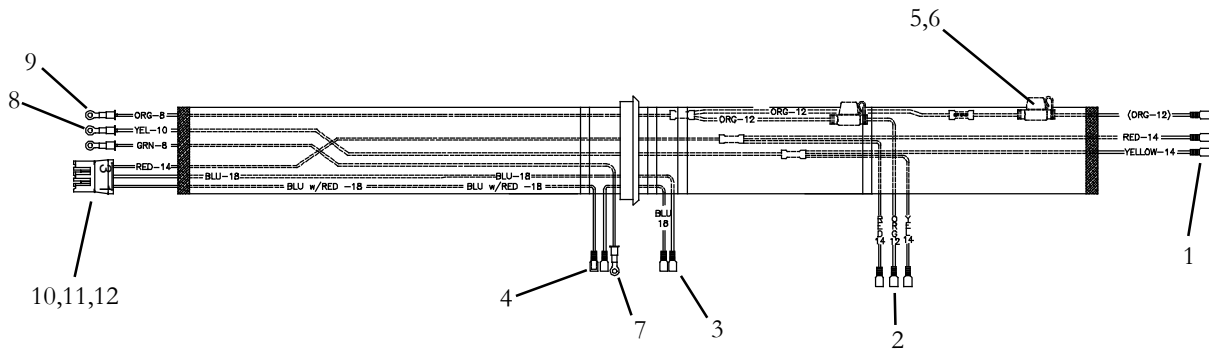
Item	Part Number	Description	Qty
1	22-01141-01	Terminal, Female, 1/4" Pushon, Insulated 16-14 AWG (AMP# 3-350819-2)	4
2	22-01142-01	Terminal, Female, 1/4" Pushon, Insulated 10-12 AWG (AMP# 4-520447-2)	2
3	22-02245-02	Terminal, Female, 1/4" Pushon, Insulated 22-18 AWG (AMP# 2-520405-2)	3
4	22-01502-00	Terminal, Male, 1/4" Pushon, Insulated 22-18 AWG (AMP# 2-520102-2)	1
5	22-02338-07	Fuseholder, w/Cap (Littlefuse# FHM0002)	2
6	22-02336-26	Fuse, Mini, 25A (Littlefuse# 297025)	2
7	REF	Terminal, Butt Splice, Heat Sealable, 22-18 AWG (Molex Part # 19164-0013)	2
8	REF	Terminal, Butt Splice, Heat Sealable, 12-10 AWG (Molex Part # 19164-0056)	2
9	REF	Terminal, Butt Splice, Heat Sealable, 8 AWG (Molex Part # 19164-0079)	1
N.S.	Y30-13000-00	Nyogel	1



NOTE

Complete Wire Harnesses are Non-Stock Items. Replacement Components are Listed and can be cross referenced to supplier part number in manual T-375PL.

1.1.14 EM1 CLASSIC LINE, WIRE HARNESS Y25-00099-02, OPTION 2

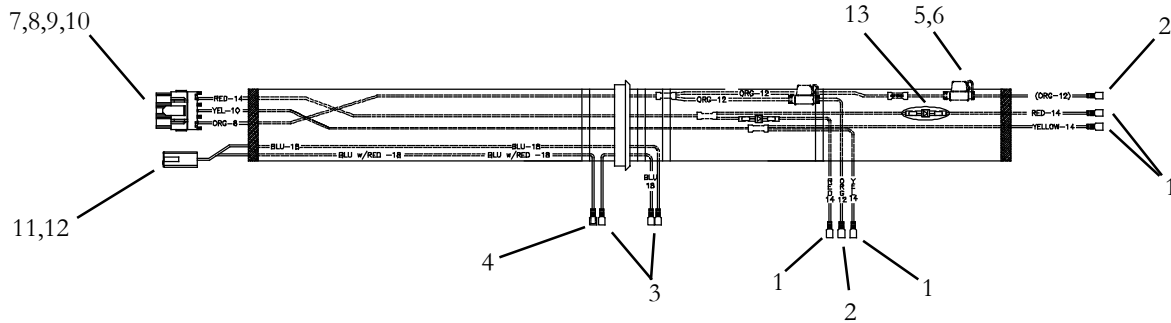


Item	Part Number	Description	Qty
1	22-01141-01	Terminal, Female, 1/4" Pushon, Insulated 16-14 AWG (AMP# 3-350819-2)	4
2	31-1247	Terminal, Female, 1/4" Pushon, Insulated 10-12 AWG (TE# 4-520447-2)	2
3	22-02245-02	Terminal, Female, 1/4" Pushon, Insulated 22-18 AWG (AMP# 2-520405-2)	3
4	22-01502-00	Terminal, Male, 1/4" Pushon, Insulated 22-18 AWG (AMP# 2-520102-2)	1
5	22-02338-07	Fuseholder, w/Cap (Littlefuse# FHM0002)	2
6	22-02336-26	Fuse, Mini, 25A (Littlefuse# 297025)	2
7	22-00872-02	Terminal, Ring, 1/4"- 8AWG (AMP# 52041-1)	1
8	22-01140-04	Terminal, Ring, 3/8"- 10 -12AWG (AMP# 2-320577-3)	1
9	22-00872-04	Terminal, Ring, 3/8"- 8AWG (AMP# 52291-1)	2
10	Y31-00007-00	Connector, 3 Way (Molex# 44441-2003)	1
11	Y31-00007-50	Terminal, Small, 18 -20AWG (Molex# 43375-2001)	2
12	Y31-00007-51	Terminal, Large, 14 -16AWG (Molex# 43375-1001)	1
N.S.	Y30-13000-00	Nyogel	1



Complete Wire Harnesses are Non-Stock Items. Replacement Components are Listed and can be cross referenced to supplier part number in manual T-375PL.

1.1.14 EM1 CLASSIC LINE, WIRE HARNESS Y25-00099-03, OPTION 3



Item	Part Number	Description	Qty
1	22-01141-01	Terminal, Female, ¼” Pushon, Insulated 16-14 AWG (AMP# 3-350819-2)	4
2	31-1247	Terminal, Female, ¼” Pushon, Insulated 10-12 AWG (AMP# 4-520447-2)	2
3	22-02245-02	Terminal, Female, ¼” Pushon, Insulated 22-18 AWG (AMP# 2-520405-2)	3
4	22-01502-00	Terminal, Male, ¼” Pushon, Insulated 22-18 AWG (AMP# 2-520102-2)	1
5	22-02338-07	Fuseholder, w/Cap (Littlefuse# FHM0002)	2
6	22-02336-26	Fuse, Mini, 25A (Littlefuse# 297025)	2
7	22-50099-31	Connector, Receptacle, 3 Way, (Molex # 42816-0312)	1
8	Y31-00044-01	Terminal, , 10-12 AWG, (Molex # 42815-0114)	1
9	Y31-00044-02	Terminal, 14-16 AWG, (Molex # 42815-0144)	1
10	Y31-00044-00	Terminal, 8 AWG, (Molex # 42815-0134)	1
11	Y31-00043-04	Connector, Receptacle, 2 Way, (TE # 180907-5)	1
12	-	Terminal, Female (TE # 640417-2)	2
13	201-600	Diode, 6A, 250 V	1
N.S.	Y30-13000-00	Nyogel	1

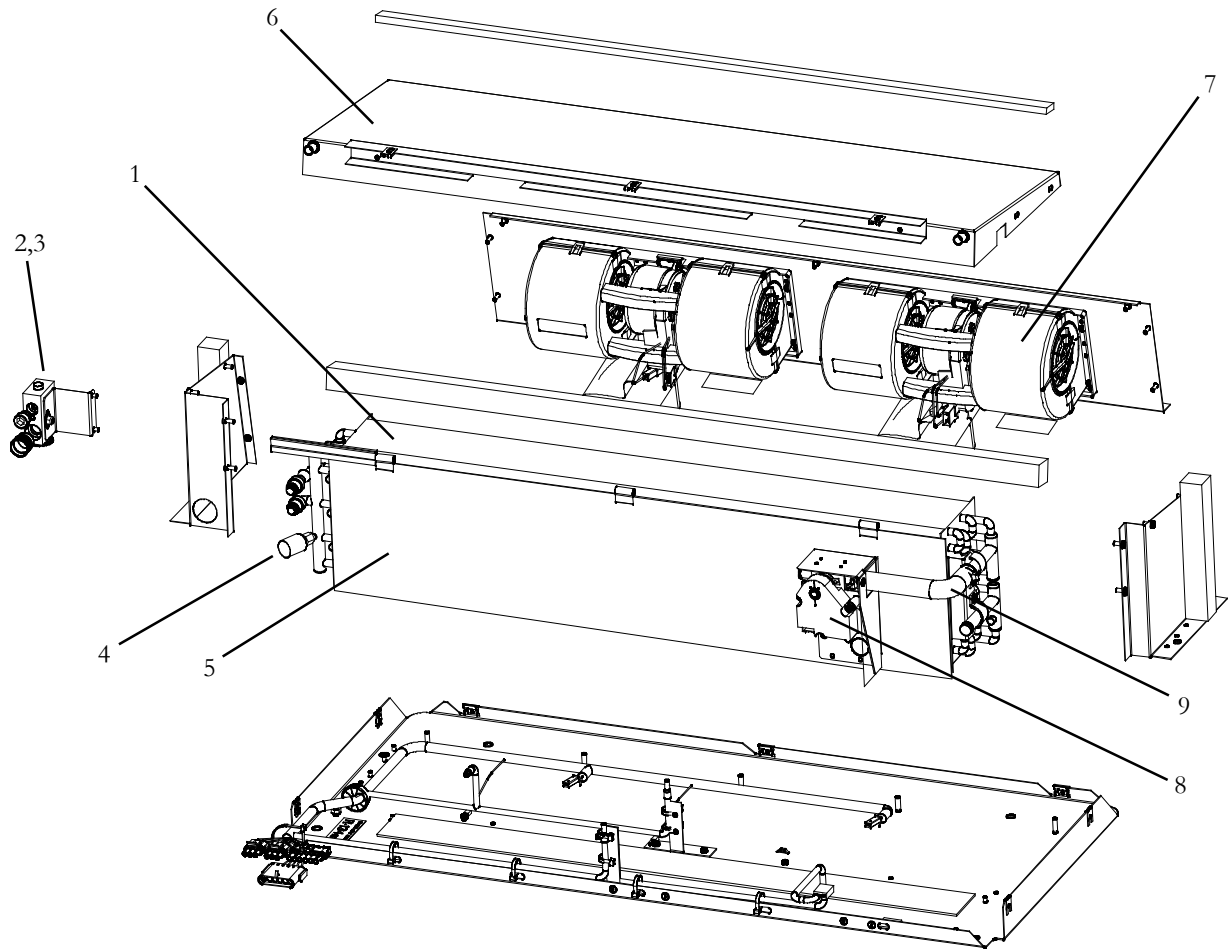


OPTION TABLE - EM1, AE, BRUSHLESS (12V)

MODEL EM1 Y19-EM109	Cover Kit <small>(see Section 1.1.16)</small>	Chassis Kit <small>(see Section 1.1.11)</small>	Wire Harnesses <small>(see Section 1.1.14)</small>
-01	-	1	1&2
-02	-	2	1
-23	2	1	1&2
-24	1	1	1&2
-25	2	2	1
-26	1	2	1
-32	2	1	1&2
-33	1	1	1&2
-34	2	2	1
-35	1	2	1



1.1.15 CHASSIS KIT, EM-1, AE, BRUSHLESS, W/HEAT

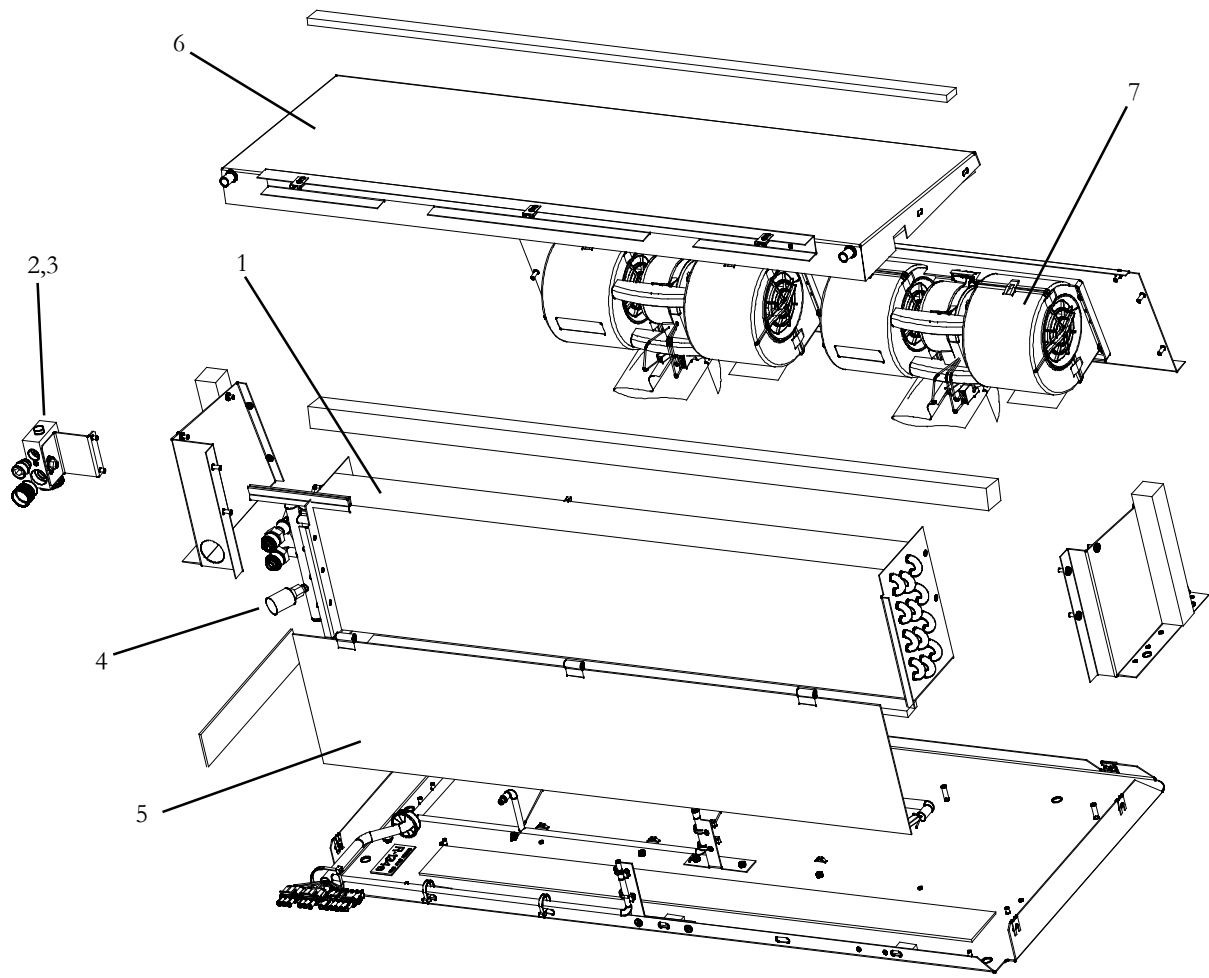


REF: Y73-EM105-00

Item	Part Number	Description	Qty
1	08-62059-00	Coil Assembly, Evaporator (With Heat)	1
2	14-00397-00	Expansion Valve	1
3	AC801-202	O-Rings, 1/2" HN BR	2
4	Y25-00232-01	Pressure Switch, Low	1
5	AC801-405	Filter, Air	1
6	79-02383-00	Drain Pan Assembly	1
7	54-00627-03	Blower Assembly, 12VDC	2
8	26-0652	Valve, Coolant 12VDC	1
9	27-0017	Hose, Coolant	1



1.1.15 CHASSIS KIT, EM-1, AE, BRUSHLESS, COOL ONLY: OPTION 2

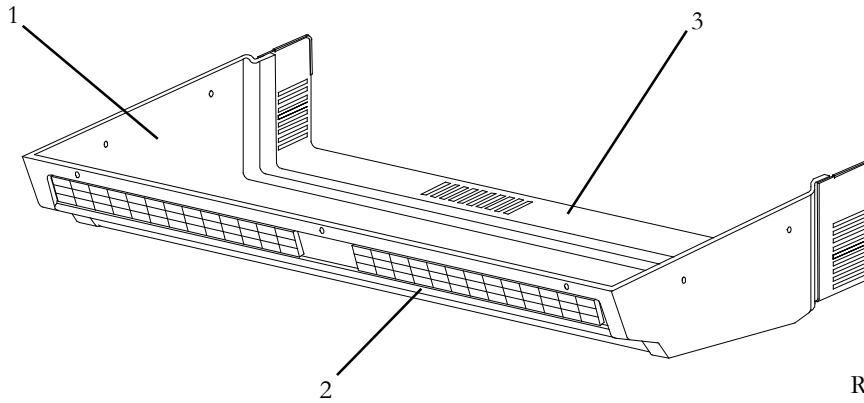


REF: Y73-EM105-01

Item	Part Number	Description	Qty
1	08-62060-00	Coil Assembly, Evaporator (With Heat)	1
2	14-00397-00	Expansion Valve	1
3	AC801-202	O-Rings, 1/2" HN BR	2
4	Y25-00232-01	Pressure Switch, Low	1
5	AC801-405	Filter, Air	1
6	79-02383-00	Drain Pan Assembly	1
7	54-00627-03	Blower Assembly, 12VDC	2



1.1.16 COVER ASSEMBLY, EM-1, AE, REAR MOUNT : OPTION 1 & 2



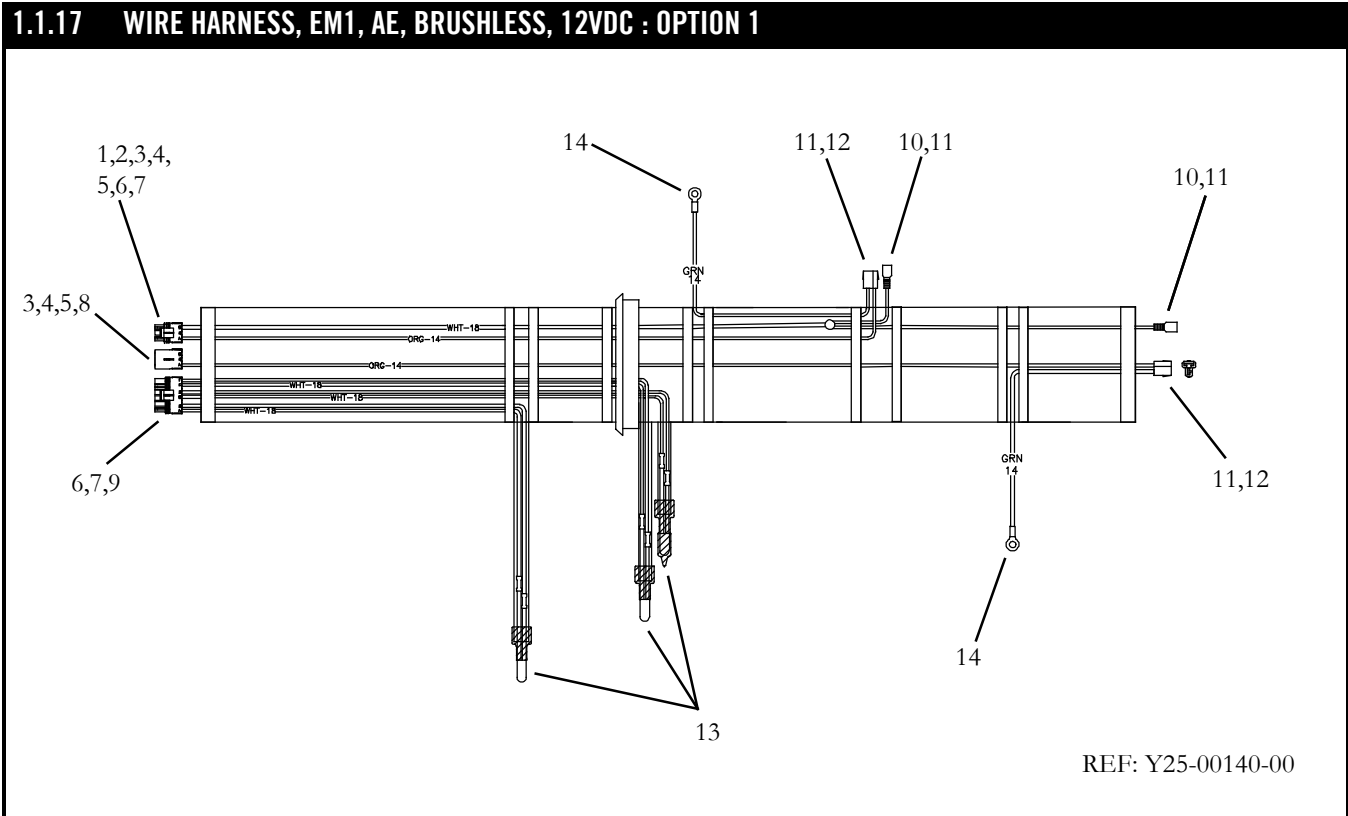
REF: 77-62100-00 & -10

Item	Part Number	Description	Qty
1	79-62071-01	Cover Assembly, Gray, Includes: OPTION 1	1
	79-62071-00	Cover Assembly, White, Includes: OPTION 2	1
2	AC401-320	Diffuser, Air, Adjustable Rectangular	2
3	AC022-251	Grille, Return Air	1
NS	76-62103-05	Kit, Hardware (Multicolor, Screws & Caps)	1



NOTE

Complete Wire Harnesses are Non-Stock Items. Replacement Components are Listed and can be cross referenced to supplier part number in manual T-375PL.

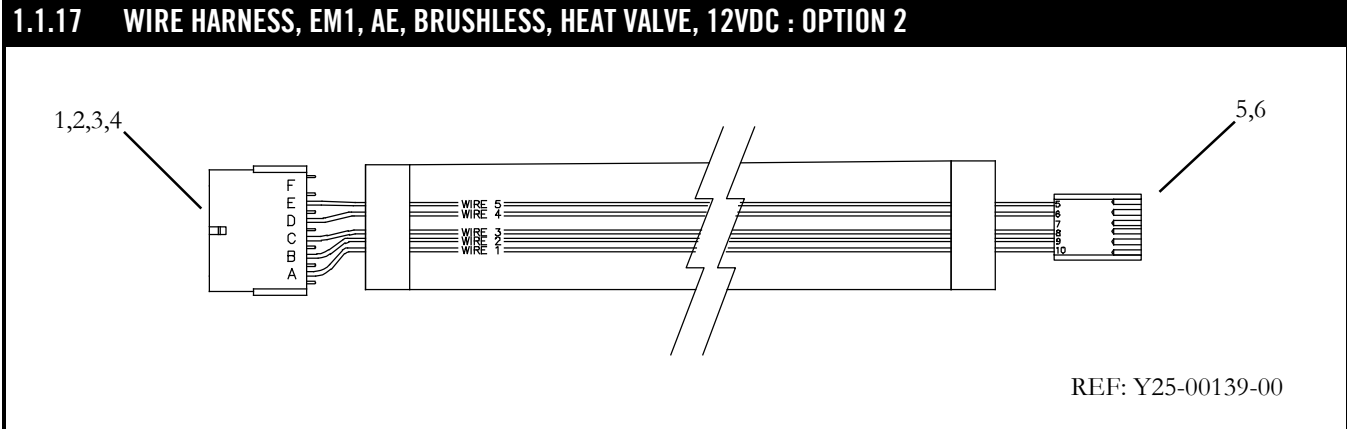


Item	Part Number	Description	Qty
1	22-50098-59	Connector, Tower, 3-Way (Aptiv # 12015793)	1
2	22-50098-59B	Seal, Connector (Aptiv # 12010718)	1
3	22-02394-01	Seal, Cable, (Aptiv # 15324981)	2
4	22-02393-00	Terminal, Pin, (Aptiv # 12124582)	2
5	22-50078-55	Plug, Cavity, (Aptiv # 12010300)	1
6	22-02394-02	Seal, Cable, (Aptiv # 15324982)	7
7	22-02393-01	Terminal, Pin, (Aptiv # 12089040)	7
8	22-50098-60	Connector, Shroud, 3-Way (Aptiv # 12010717)	1
9	22-50099-00	Connector, Tower, 6-Way (Aptiv # 12015799)	1
10	22-60254-00	Connector, 1-Way	2
11	22-50098-76B	Terminal (Tyco # 42281-2)	6
12	22-50098-76	Connector, Fastin-Faston (Tyco # 1-180907-0)	2
13	35-0176	Sensor, Return Air, After Coil and Coil Freeze	3
14	22-01139-05	Terminal, Ring, 14-16 AWG, #8 (Tyco # 51864-1)	2



NOTE

Complete Wire Harnesses are Non-Stock Items. Replacement Components are Listed and can be cross referenced to supplier part number in manual T-375PL.

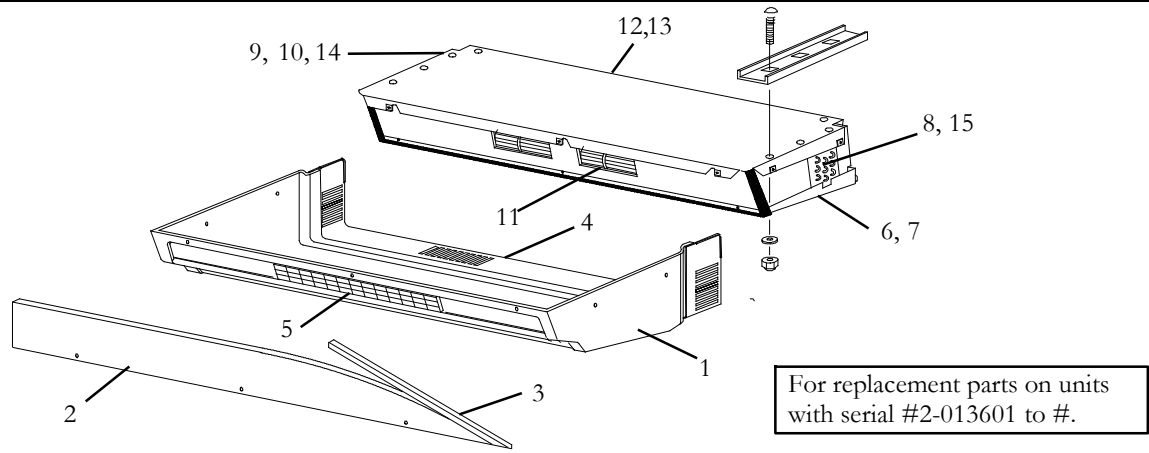


Item	Part Number	Description	Qty
1	22-50099-09	Connector, Shroud, 6-Way (Packard # 12010975)	1
2	22-02393-00	Seal, Cable (Packard # 12124582)	5
3	22-50078-58F	Terminal, Pin (Packard # 12089188)	5
4	22-50078-54	Plug, Cavity (Packard # 12059168)	1
5	31-1149	Connector, MP 100, 6-Way (Pioneer # 12040953)	1
6	31-1150	Terminal, (Pioneer # 12089649-L)	5



SECTION 1.2 EM-2 EVAPORATORS

1.2.1 EVAPORATOR, EM-2, GEN 4, FREE BLOW

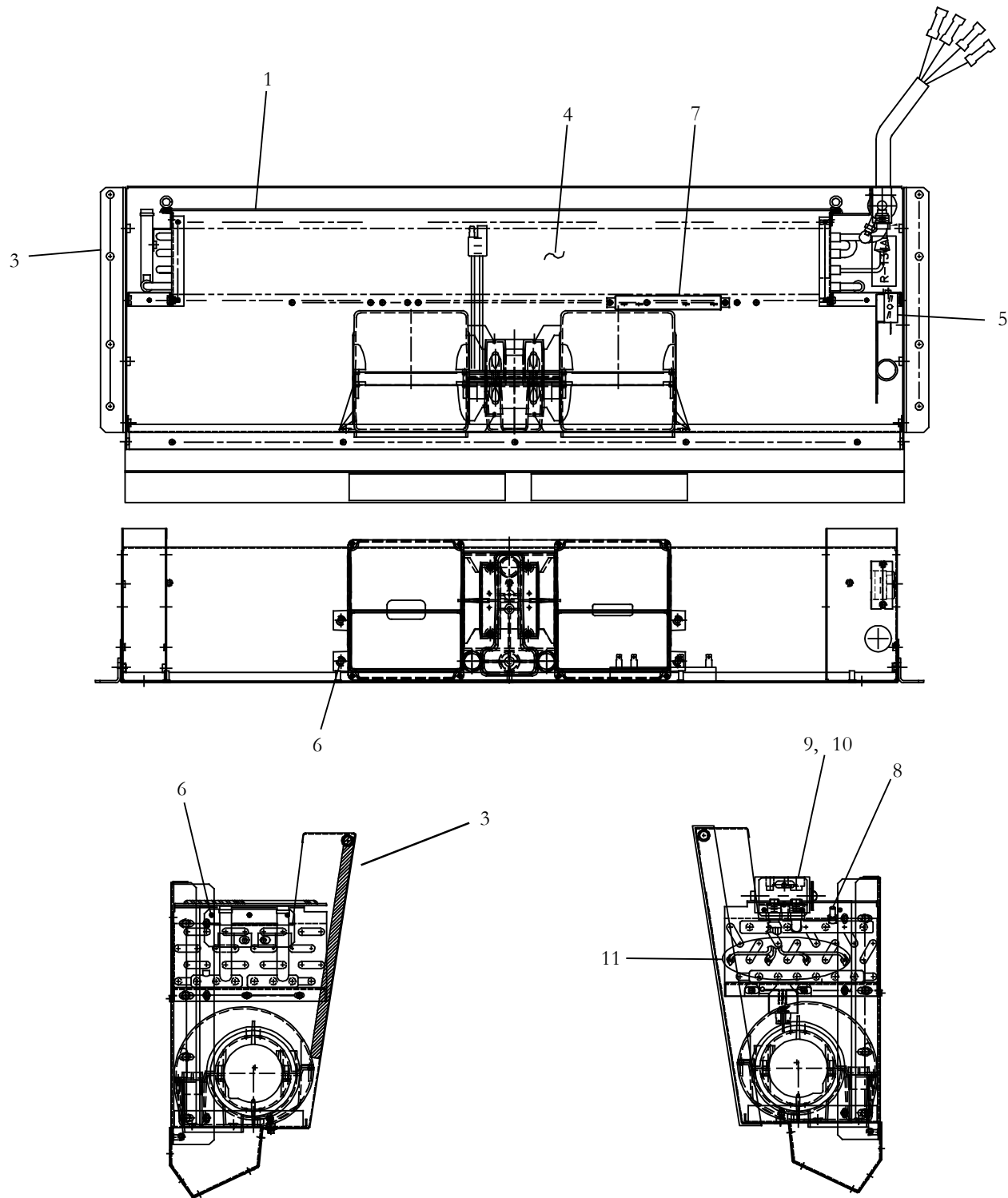


For replacement parts on units with serial #2-013601 to #.

Item	Part Number	Description	Qty
1	N/A	Cover Assembly, White	1
	N/A	Cover Assembly, Gray	1
	N/A	Cover Assembly, Beige	1
2	N/A	Trim Strip, Beige	1
	N/A	Trim Strip, White/Gray	1
3	AC801-412F25	Flexible Trim, Black (25 Ft. Roll)	1
4	N/A	Grill, Air Inlet, Painted (Black)	1
5	AC401-320	Louver Assembly, Air Outlet, (3 3/8 Inch X 14 3/8 Inch)	1
6	N/A	Drain Pan Assembly, (Foamed)	1
7	AC022-313	Baffle, Foam, EM-2 Drain Pan	1
8	08-62059-00	Coil Assembly, With Heat, With Low Pressure Switch Connection	1
	08-62060-00	Coil Assembly, With Low Pressure Switch Connection	1
9	14-00397-00	Thermal Expansion Valve, R134a	1
10	AC201-501	Thermostat, Freeze-Up	1
11	54-00588-00	Blower, Assembly, Dual, 12 Volt	1
	AC401-233	Blower, Assembly, Dual, 24 Volt	1
12	76-62019-00	Resistor Kit, (1.8 Ohm, 4 Prong)	1
13	AC801-451	Filter, Return Air, (35 X 7 1/4 Inch)	1
14	AC801-202	O-Ring, 1/2 Inch	4
15	AC201-412	Switch, Low Pressure	1



1.2.2 EVAPORATOR, EM-2 CHASSIS KIT WITH HEAT, GEN 4



REF. CHASSIS KIT #77-62210-01 A



1.2.2 EVAPORATOR, EM-2 CHASSIS KIT WITH HEAT, GEN 4 - Continued:			
Item	Part Number	Description	Qty
1	AC801-405	Filter, Return Air (.090 Thick x 8.00 x 35.38 Inches)	1
2	AC801-412F25	Gasket, Trimlock, Black (25 Ft. Roll)	1
3	AC022-313	Baffle, Drain Pan, Foam	1
4	08-62059-00	Coil Assembly, Evaporator/Heater, With Low Pressure Switch Connection	1
5	12-00685-00	Thermostat, Freeze-Up, Non-Adjustable	1
6	54-00588-00	Fan & Motor Assembly, Evaporator, 12 VDC	1
7	76-62019-00	Resistor Kit, (1.8 Ohm, 4 Prong)	1
8	AC201-412	Switch, Pressure, Low	1
9	14-00397-00	Valve, Thermal Expansion, Block Type, R134a	1
10	AC801-202	O-Ring, 1/2 Inch, HNBR	2
11	42-00032-00	Tape, Insulation, Pressite, 2.00 x 30.00 Feet Long	1



**OPTION TABLE - EM2 - GEN V,
12 VDC - 3 Speed**

MODEL EM2 Gen V 77-62522	Cover Kit (see Section 1.2.5)	Chassis Kit (see Section 1.2.3)	Wire Harness (see Section 1.2.4)
-00	-	1	1
-02	1	1	2
-05	1	1	1 & 5
-06	2	1	1 & 7
-07	2	1	1 & 7
-21	1	1	1 & 5
-22	1	1	1 & 5
-23	2	1	1 & 5
-31	1	1	1 & 5
-32	1	1	1 & 5
-41	1	1	1 & 5
-42	1	1	1 & 5
-44	1	1	1 & 5
-45	1	1	1 & 5
-47	1	1	1 & 5
-51	2	1	1 & 5
-52	2	1	1 & 5
-61	2	1	1 & 5
-62	2	1	1 & 5
-80	1	1	1 & 6
-81	1	1	1 & 6
-82	1	1	1 & 6
-83	1	1	1 & 6
-85	1	1	1 & 5
-90	2	1	1 & 7
-91	2	1	1 & 7
-95	1	1	1 & 5
-96	1	1	1 & 5

**OPTION TABLE - EM2 - GEN V
12 VDC - Variable Speed**

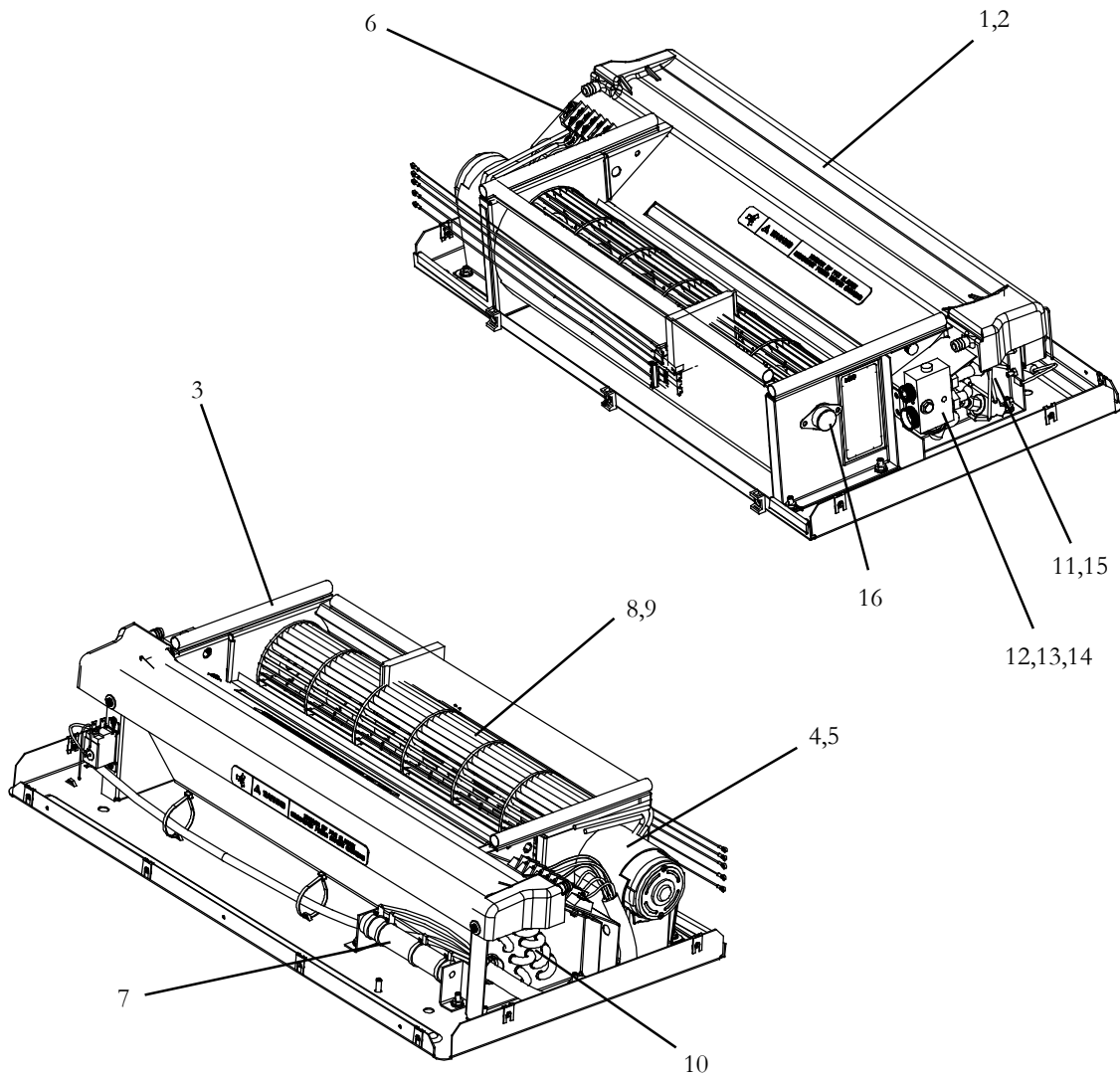
MODEL EM2 Gen V 77-62212	Cover Kit (see Section 1.2.5)	Chassis Kit (see Section 1.2.3)	Wire Harness (see Section 1.2.4)
-00	-	1	2
-21	1	1	2
-22	1	1	2
-31	1	1	2
-32	1	1	2
-41	1	1	2
-42	1	1	2
-44	1	1	2
-45	1	1	2
-61	2	1	2
-62	2	1	2
-80	1	1	2
-82	1	1	2

**OPTION TABLE - EM2 - GEN V
24 VDC - Variable Speed**

MODEL EM2 Gen V 77-62224	Cover Kit (see Section 1.2.5)	Chassis Kit (see Section 1.2.3)	Wire Harness (see Section 1.2.4)
-00	-	1	2
-41	1	1	2
-42	1	1	2
-61	2	1	2
-62	2	1	2



1.2.3 EVAPORATOR, EM-2, GEN V (Common Parts) OPTION 1



Item	Part Number	Description	Qty
1	79-62106-01	Drain Pan Assembly, EM-2 - Includes:	1
2	42-62140-01Baffle, Drain Pan, Foam	1
3	58-62064-00F25	Trim Seal, 1/8 Inch Grip, (25 Foot Roll)	1
4	Y45-00005-51	Motor, Evaporator, EM-2, 12 VDC, (GEN V)	1
	-Fuse, 30A, EM-2, 12 VDC, (GEN V)	NSI
	Y45-00005-54	Motor, Evaporator, EM-2, 24 VDC, (GEN V)	1
	-Fuse, 20A, EM-2, 24 VDC, (GEN V)	NSI
5	42-62052-00	Gasket, Motor, (GEN V)	1
6	22-62141-00	Terminal Block, 7 Position, (30 Amp)	1

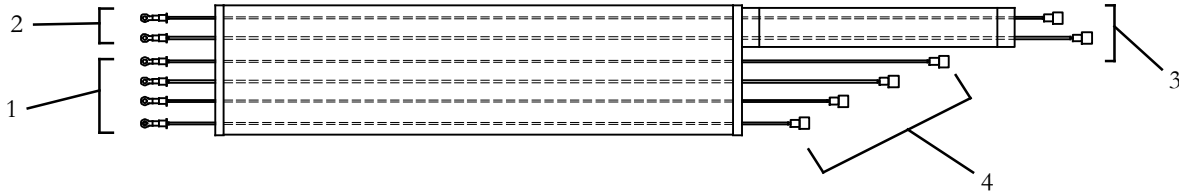


1.2.3 EVAPORATOR, EM-2, GEN V, (Common Parts) Continued: OPTION 1			
Item	Part Number	Description	Qty
7	22-62169-00	Resistor, Fan Speed, 220 Watt, .820 OHM (3 Speed Application ONLY)	1
8	38-00564-51	Blower Wheel, (Length: 21.90 Inches - 556.3 mm)	1
9	34-00482-05	Set Screw, Cup Point, 1/4-28, SS	1
10	08-01068-01	Coil Assembly. EM-2	1
11	AC201-412	Switch, Low Pressure	1
12	14-00397-00	Valve, Thermal Expansion	1
13	42-00032-00	Tape, Insulation, Pressite, 2.00 Inch X 30 Feet Long	1
14	AC801-202	O-Ring, 1/2 Inch	2
15	12-00685-00	Thermostat, Freeze-Up, Non Adjustable	1
16	76-62257-00	Blower Housing & Boot Repair Kit - Includes:	1



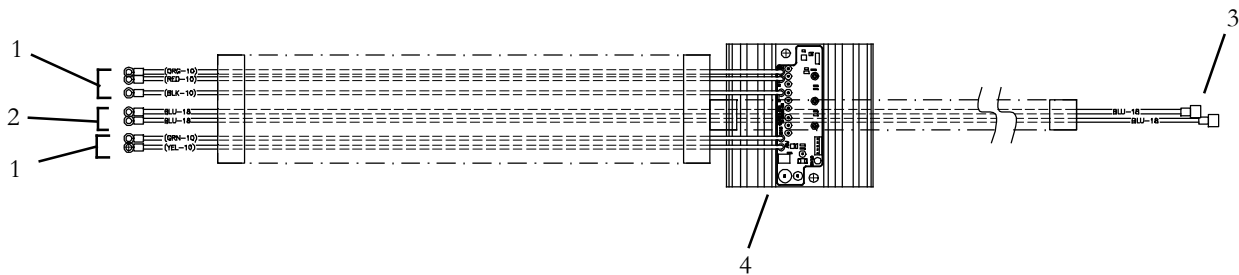
NOTE: Complete Wire Harnesses are Non-Stock Items. Replacement Components are Listed and can be cross referenced to supplier part number in manual T-375PL.

1.2.4 EM2 GEN-V, Wire Harness 22-62168-00 : OPTION 1



Item	Part Number	Description	Qty
1	22-00119-03	Terminal Ring #10, 12/10 AWG (AMP# 2-34170-1)	4
2	22-00121-27	Terminal Ring #10, 22/18 AWG (AMP# 2-34149-1)	2
3	22-02245-02	Terminal, Female, Insulated Faston Straight 1/4", 22/18 AWG (AMP# 2-520405-2)	2/3
4	31-1247	Terminal, Female, Insulated Faston Straight 1/4", 12/10 AWG (AMP# 4-520447-2)	4

1.2.4 EM2 GEN-V, Wire Harness 22-62099-00 : OPTION 2

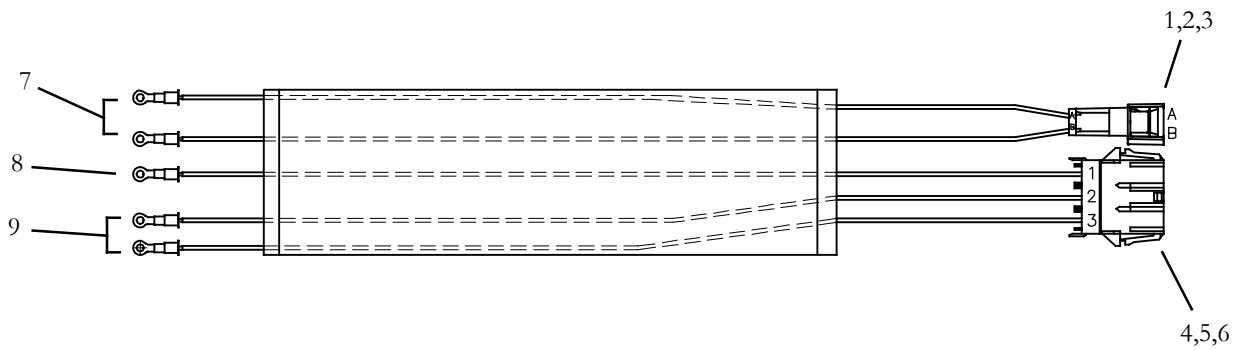


Item	Part Number	Description	Qty
1	22-01140-02	Terminal Ring #10, 12/10 AWG (AMP# 35109)	5
2	22-00121-27	Terminal Ring #10, 22/18 AWG (AMP# 2-34149-1)	2
3	22-02245-02	Terminal, Female, Insulated Faston Straight 1/4", 22/18 AWG (AMP# 2-520405-2)	2/4
4	22-62099-00	Speed Controller w/Harness (Was 12-00533-00)	1



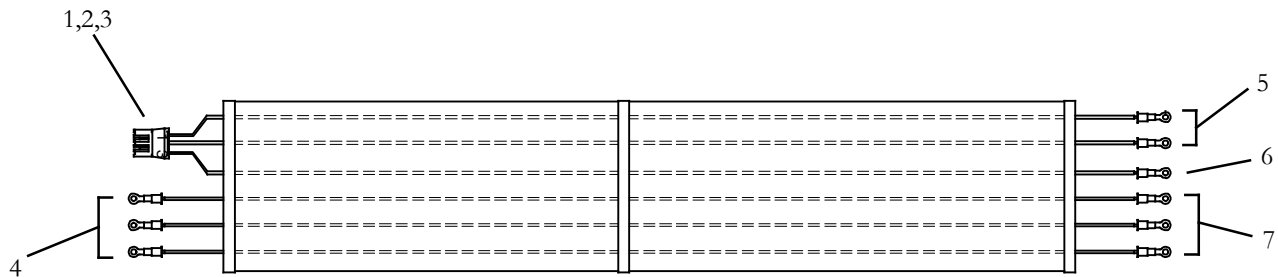
NOTE: Complete Wire Harnesses are Non-Stock Items. Replacement Components are Listed and can be cross referenced to supplier part number in manual T-375PL.

1.2.4 EM2 GEN-V, Wire Harness 22-62286-00: OPTION 3



Item	Part Number	Description	Qty
1	2-50099-37	Connector, Male, 2 Way, MP 280 Series, Unsealed (Delphi# 12129155)	1
2	22-50099-37A	Terminal, Male, 16/18 AWG (Delphi# 12034047)	2
3	22-50099-37D	Lock, Secondary (Delphi# 12129157)	1
4	22-50099-32	Connector, Plug Housing, 3 Way (Molex# 42818-0312)	1
5	22-50099-32A	Terminal, Male, 10/12 AWG (Molex# 42817-0011)	2
6	22-50099-32B	Terminal, Male, 8 AWG (Molex# 42817-0031)	1
7	22-00121-27	Terminal Ring #10, 22/18 AWG (AMP# 2-34149-1)	2
8	22-00119-03	Terminal Ring #10, 12/10 AWG (AMP# 2-34170-1)	2
9	22-00872-01	Terminal Ring #10, 8 AWG (AMP# 52263-1)	1

1.2.4 EM2 GEN-V, Wire Harness 22-62261-00: OPTION 4

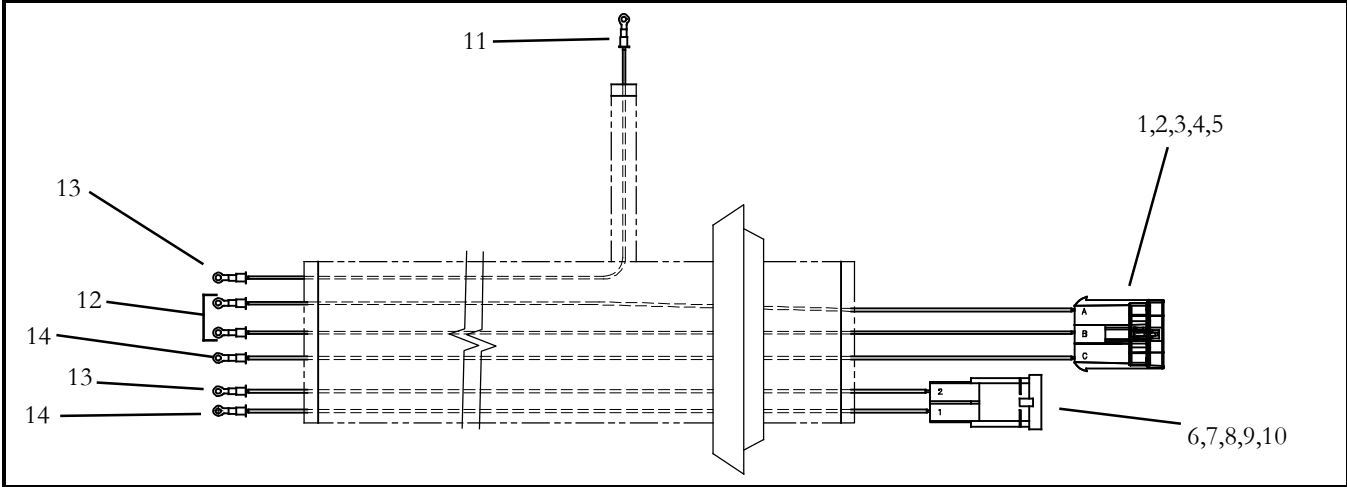


Item	Part Number	Description	Qty
1	Y31-00007-00	Connector, Female, 3 Way (Molex# 44441-2003)	1
2	Y31-00007-50	Terminal, Female, 18-20 AWG (Molex# 43375-2001)	2
3	Y31-00007-51	Terminal, Female, 14-16 AWG (Molex# 43375-1001)	1
4	22-01140-04	Terminal, Ring $\frac{3}{8}$ ", 12/10 AWG (AMP# 2-320577-3)	3
5	22-00121-27	Terminal, Ring, #10 - 18 AWG (AMP# 2-34149-1)	2
6	22-01139-02	Terminal, Ring, #10 - 14/16 AWG (AMP# 51864-2)	1
7	22-01140-02	Terminal, Ring, #10 - 12/10 AWG (AMP# 35109)	3



NOTE: Complete Wire Harnesses are Non-Stock Items. Replacement Components are Listed and can be cross referenced to supplier part number in manual T-375PL.

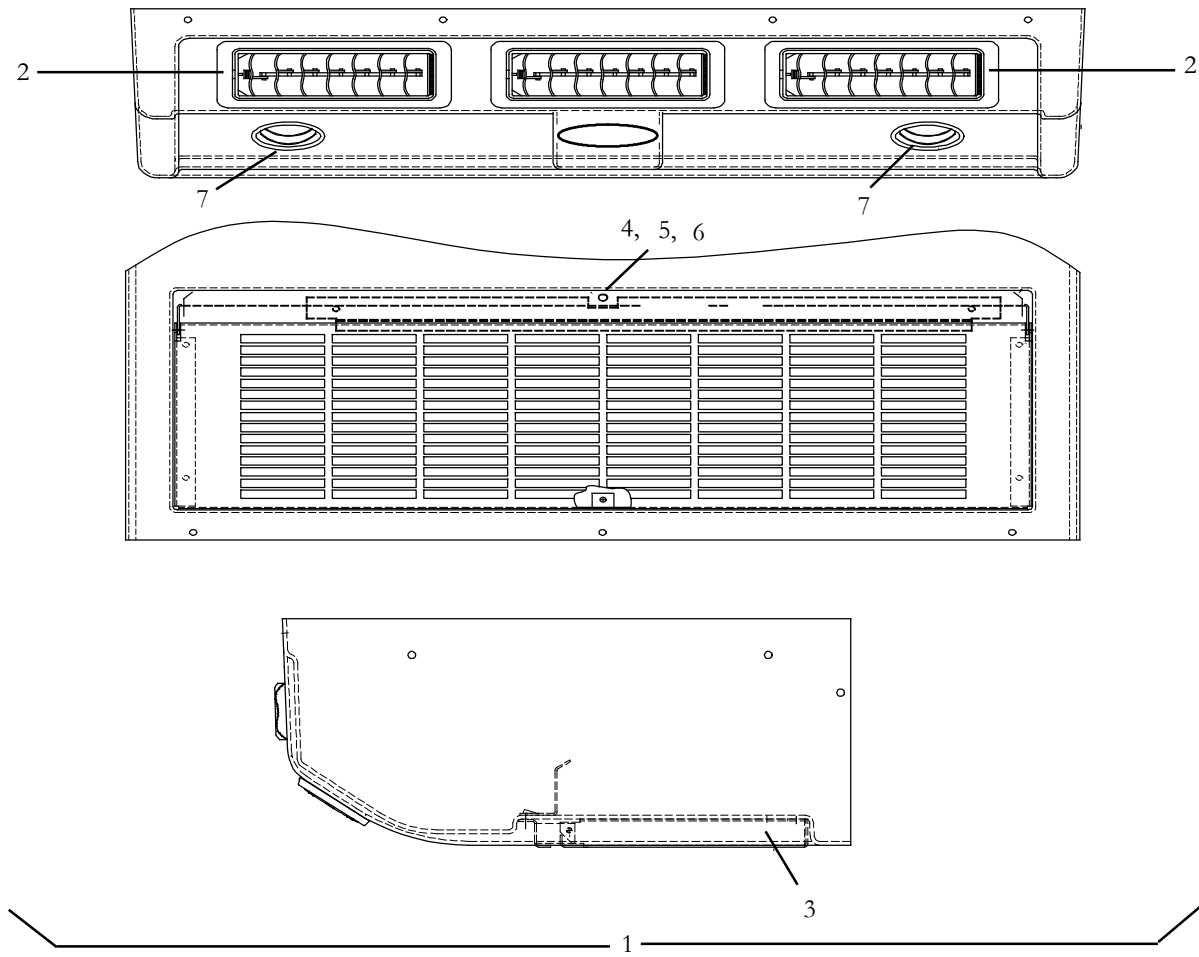
1.2.4 EM2 GEN-V, Wire Harnesses 22-62247-00 & 22-62204-00: OPTION 5



Item	Part Number	Description	Qty
1	22-50078-86	Connector, Male, M/P 630, 3 Way (Delphi# 12124686)	1
2	22-50078-49A	Terminal, Male, 18 AWG (Delphi# 12064734)	2
3	22-50078-49C	Terminal, Male, 12 AWG (Delphi# 12064737)	1
4	22-50078-86B	Cable Seal (Delphi# 15324995)	3
5	22-50078-86A	Lock, Secondary (Delphi# 12045699)	1
6	22-50098-67	Connector, Male, 2 Way (Tyco# 1544334-1)	1
7	22-50098-67B	Terminal, Male, 8 AWG (Tyco# 1544333-1)	1
8	22-50098-67A	Terminal, Male, 10/12 AWG (Tyco# 1544332-1)	1
9	22-50098-67C	Cable Seal, 10/12 AWG (Tyco# 1544316-1)	1
10	22-50098-67D	Cable Seal, 8 AWG (Tyco# 1544316-2)	1
11	22-00872-03	Terminal, Ring 5/16", 8 AWG (AMP# 52291)	2
12	22-00121-27	Terminal, Ring, #10 - 18 AWG (AMP# 2-34149-1)	2
13	22-00872-01	Terminal, Ring, #10 - 8 AWG (AMP# 52263-1)	2
14	22-00119-03	Terminal, Ring, #10 - 12/10 AWG (AMP# 2-34170-1)	2



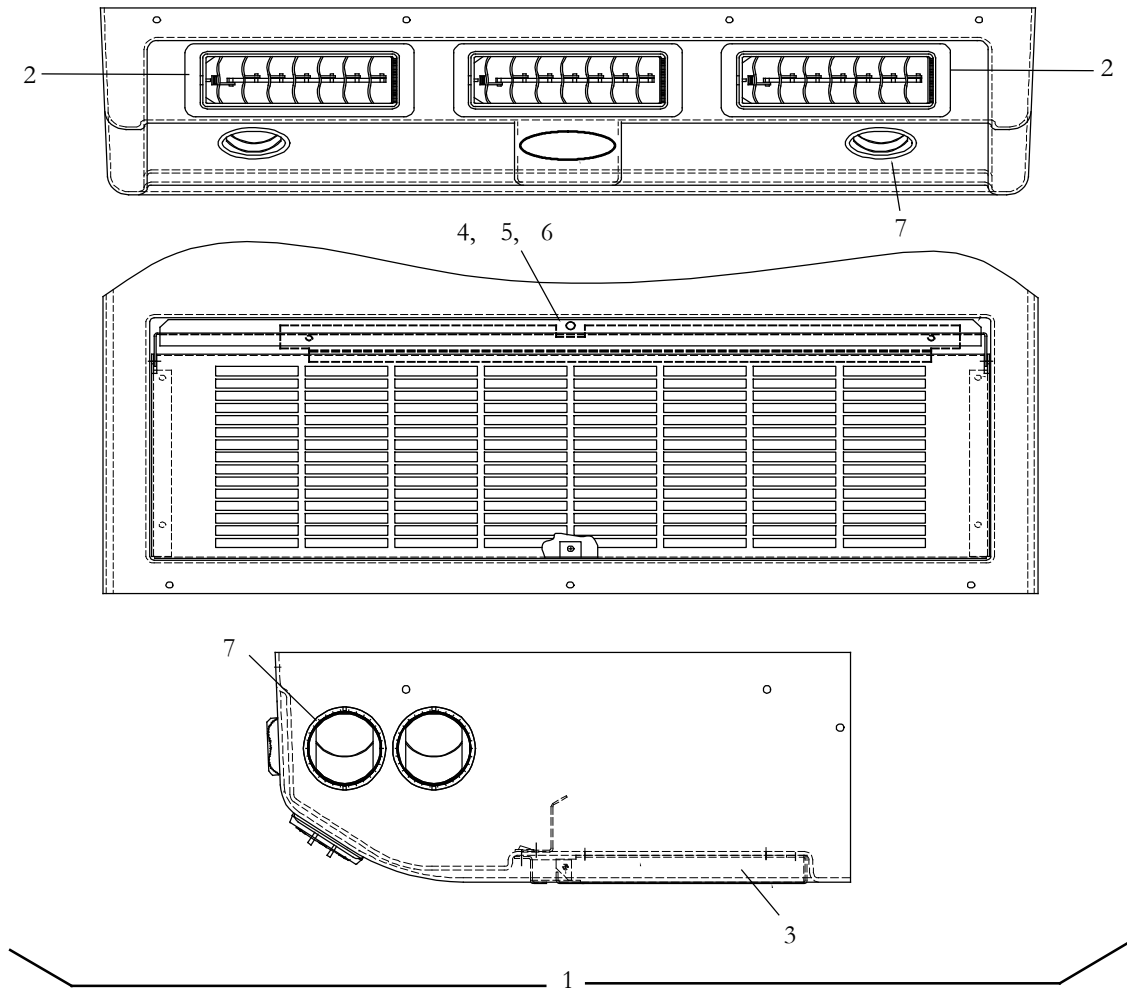
1.2.5 COVER ASSEMBLY, EM-2, GEN-V, 3 SPEED, REAR MOUNT : OPTION 1



Item	Part Number	Description	Qty
1	79-62044-01	Cover Assembly, EM-2, Complete, Rear Mount, White - Includes:	1
	79-62044-02	Cover Assembly, EM-2, Complete, Rear Mount, Gray - Includes:	1
2	58-62042-00Louver, Rectangle (8.0 X 3.0 Inches)	3
3	38-00573-02Filter, Air, EM-2, GenV (27.92 X 9 Inches)	1
4	34-62019-00Receptacle, 1/4 Turn	1
5	34-62020-00Stud, 1/4 Turn, .25 Grip Range	1
6	34-06169-01Washer, Retaining, .215 I. D.	1
7	58-62077-00Louver, Adjustable, 3.00 Inch (Round)	2



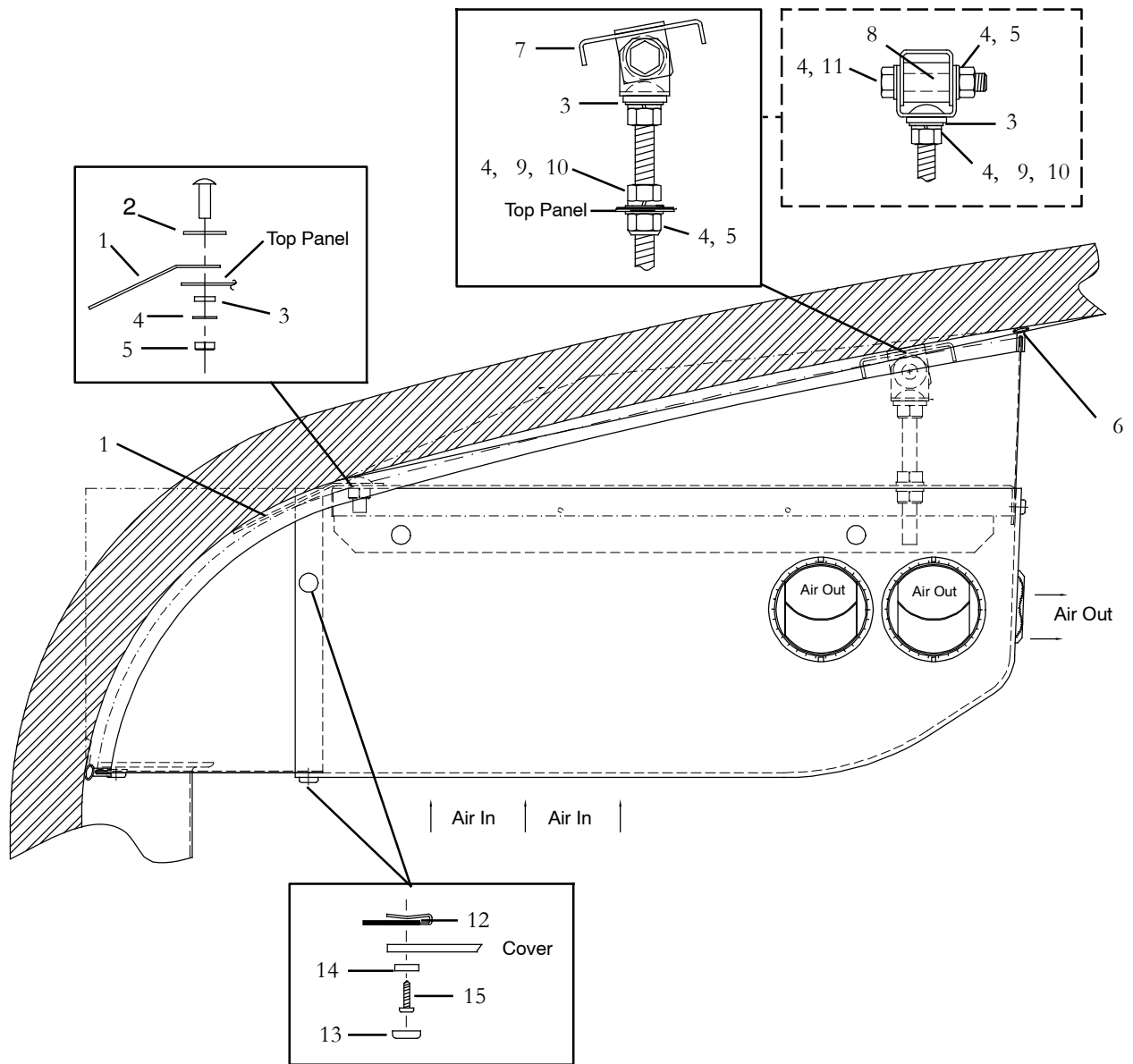
1.2.5 COVER ASSEMBLY, EM-2, GEN-V, 3 SPEED, SIDE MOUNT : OPTION 2



Item	Part Number	Description	Qty
1	79-62045-01	Cover Assembly, EM-2, Complete, Side Mount, White - Includes:	1
	79-62045-02	Cover Assembly, EM-2, Complete, Side Mount, Gray - Includes:	1
2	58-62042-00Louver, Rectangle (8.0 X 3.0 Inches)	3
3	38-00573-02Filter, Air, EM-2, GenV (27.92 X 9 Inches)	1
4	34-62019-00Receptacle, 1/4 Turn	1
5	34-62020-00Stud, 1/4 Turn, .25 Grip Range	1
6	34-06169-01Washer, Retaining, .215 I. D.	1
7	58-62077-00Louver, Adjustable, 3.00 Inch (Round)	6



1.2.6 INSTALLATION COMPONENTS, EM-2, GEN-V, SIDE MOUNT



Item	Part Number	Description	Qty
1	68-63878-00	Rear Hanger, Side Mount	1
2	68-63874-00	Plate, Washer	2
3	AC601-602	Spacer, Steel, 7/8 OD X 1/2 ID X 1/8 Inch Long	2
4	NSI	Washer, Flat, 3/8 Inch, Zinc Plated	8
5	NSI	Nut, Hex, Lock, 3/8-16, Zinc Plated	6
6	NSI	Gasket, Trimlock, Black (25 Ft. Roll)	1
7	NSI	Bracket, Weld Assembly, Front Hanger	1
8	601-616	Spacer, Steel, 7/8 OD X 1/2 ID X 1 Inch Long (Was AC601-616)	2
9	NSI	Washer, Split Lock, 3/8 Inch, Zinc Plated	6
10	NSI	Nut, Hex, 3/8-16, Zinc Plated	4



1.2.6 INSTALLATION COMPONENTS, EM-2, GEN-V, SIDE MOUNT - Continued:			
Item	Part Number	Description	Qty
11	AC701-123	Tinnerman Clip, Hi Torque, #10 AB	8
12	AC801-531	Cap, Snap, White	8
	AC801-532	Cap, Snap, Gray	8
13	AC801-529	Washer, Snap Cap	8
14	NSI	Screw, Pan Head Phillips, #10 X 5/8 Inch, AB, Black	8

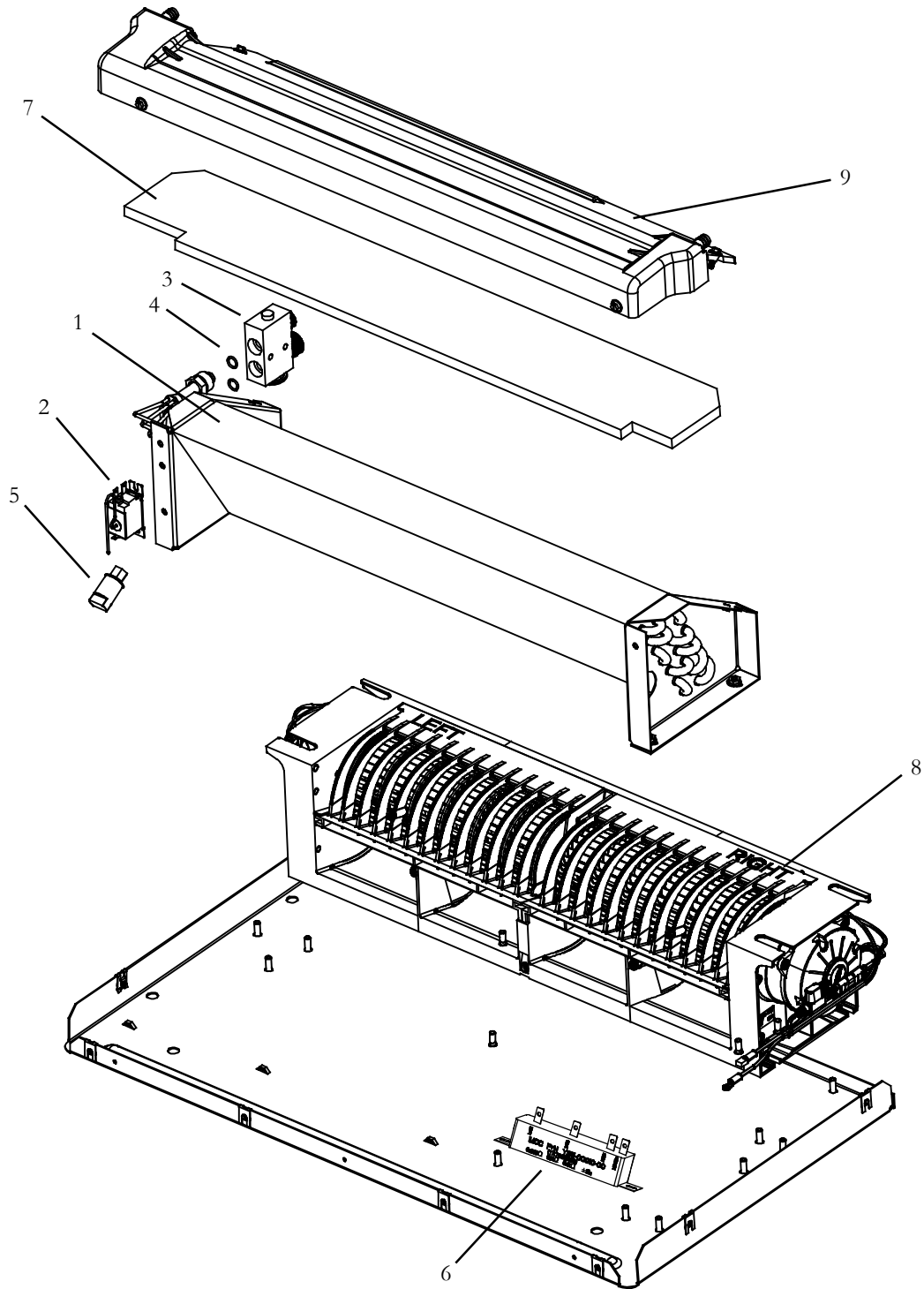


OPTION TABLE - EM2 - GEN VI

MODEL EM2 Y19-EM201	Cover Kit (See Section 1.2.8)	Chassis Kit (See Section 1.2.7)	Wire Harness (See Section 1.2.9)
-21	1	1	1
-22	1	1	1
-23	2	1	1
-31	1	1	1
-32	1	1	1
-41	1	1	1
-42	1	1	1
-44	1	1	1
-45	1	1	1
-47	1	1	1
-48	1	1	4
-51	2	1	1
-52	2	1	1
-61	2	1	1
-62	2	1	1
-80	1	1	2
-81	1	1	2
-82	1	1	2
-83	1	1	2
-84	1	1	4
-85	1	1	1
-86	-	1	4
-91	2	1	3
-95	1	1	1
-96	1	1	1



1.2.7 EM-2, GEN-VI, 3 SPEED CHASSIS KITS Y73-EM201-00 thru -02 (COMMON PARTS): OPTION 1



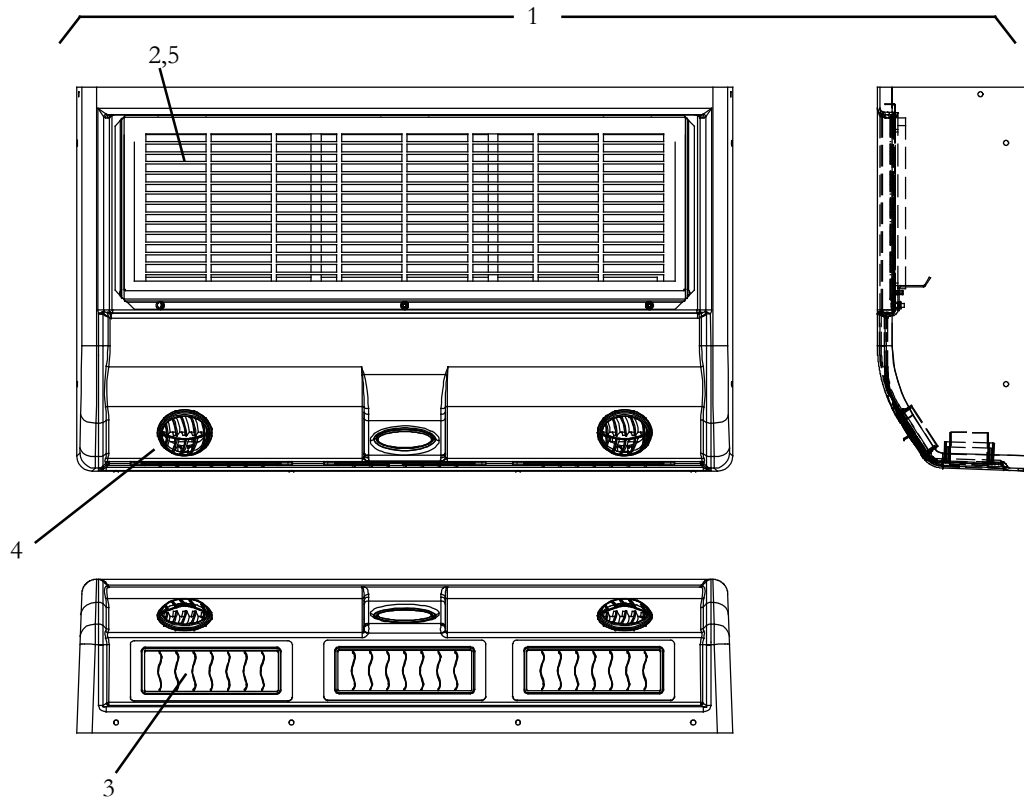
NOTE: See Option Table and Section 1.2.9 For Y73-EM201-00 thru -02 Wire Harnesses



1.2.7 EM-2, GEN-VI, 3 SPEED CHASSIS KITS Y73-EM201-00 thru -02 (COMMON PARTS) : OPTION 1- Cont:			
Item	Part Number	Description	Qty
1	08-01068-01	Coil Assembly, Evaporator	1
2	12-00685-00	Thermostat	1
3	14-00397-00	Expansion Valve	1
4	AC801-202	O-Rings, 1/2" HN BR	2
5	AC201-412	Pressure Switch, Low	1
6	Y35-00010-00	Resistor, 12 VDC, With Screw Terminals	1
7	42-62140-01	Baffle, Evaporator	1
8	54-00646-01	Blower Assembly, 12VDC, Includes:	1
9	79-62106-01	Drain Pan	1



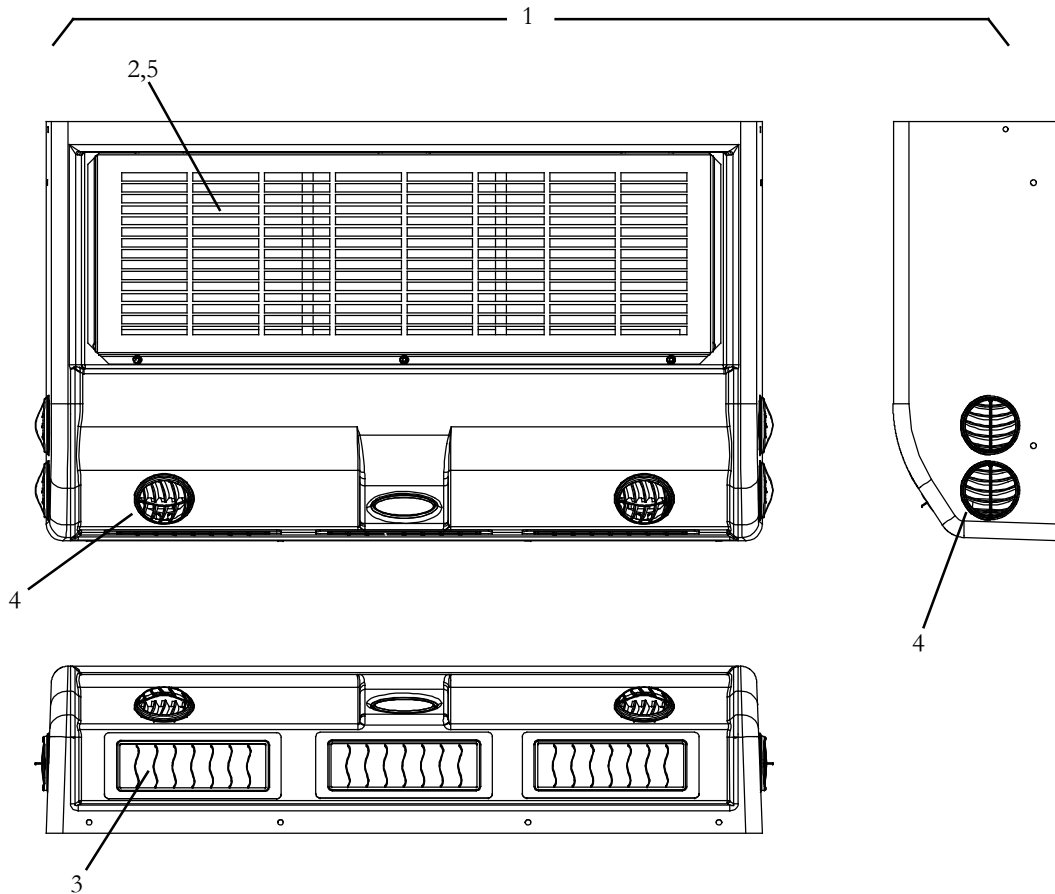
1.2.8 EM-2, GEN-VI, COVER ASSEMBLY, REAR MOUNT : OPTION 1



Item	Part Number	Description	Qty
1	Y28-00026-00	Cover Assembly, Gray, (used on -22,-32,-42,-44,-47,-83 & -96))	1
	Y28-00026-01	Cover Assembly, White, (used on -21,-31,-41,-45 & -81))	1
2	38-00573-02	Filter, Air	1
3	58-62042-00	Diffuser, Air, Adjustable Rectangular	3
4	Y23-00002-00	Louver, 2.5" Fixed Vane	2
5	Y24-00109-00	Grille, Return Air	1



1.2.8 EM-2, GEN-VI, COVER ASSEMBLY, SIDE MOUNT: OPTION 2

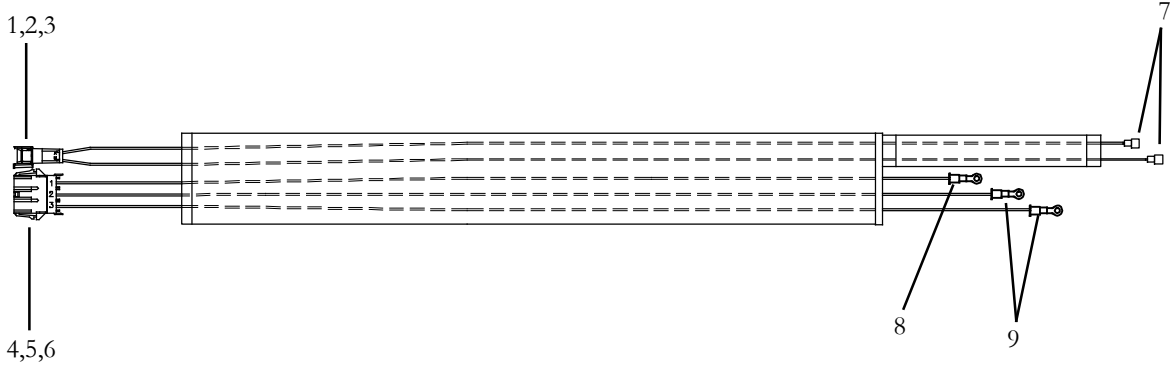


Item	Part Number	Description	Qty
1	Y28-00026-02	Cover Assembly, Gray, (used on -23,-62,-64 & -91))	1
	Y28-00026-03	Cover Assembly, White, (used on -61)	1
2	38-00573-02	Filter, Air	1
3	58-62042-00	Diffuser, Air, Adjustable Rectangular	3
4	Y23-00002-00	Louver, 2.5" Fixed Vane	6
5	Y24-00109-00	Grille, Return Air	1



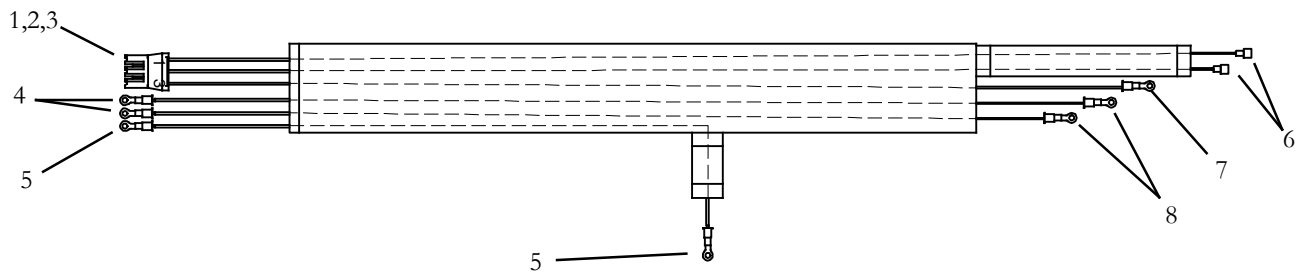
NOTE: Complete Wire Harnesses are Non-Stock Items. Replacement Components are Listed and can be cross referenced to supplier part number in manual T-375PL.

1.2.9 EM2 GEN-VI, Wire Harness 22-62303-00: OPTION 1



Item	Part Number	Description	Qty
1	22-50099-37	Connector, Male, MP 280 Series, Unsealed (Delphi # 12129155)	1
2	22-50099-37A	Terminal, Male, 16/18 AWG (Delphi # 12034047)	2
3	22-50099-37D	Lock, Secondary (Delphi #12129157)	1
4	22-50099-32	Connector, Plug Housing, 3 Way, Molex (Molex # 42818-0312)	1
5	22-50099-32A	Terminal, Male, Molex 10/12 AWG (Molex # 42817-0011)	2
6	22-50099-32B	Terminal, Male, Molex, 8 AWG (Molex # 42817-0031)	1
7	22-02245-02	Terminal, Female, Fully Insulated, 22/18 AWG (AMP # 2-520405-2)	2
8	22-02245-01	Terminal, Ring, #10 - 8 AWG	1
9	22-01140-02	Terminal, Ring, #10 - 12/10 AWG (AMP # 35109)	2

1.2.9 EM2 GEN-VI, Wire Harness 22-62303-01: OPTION 2

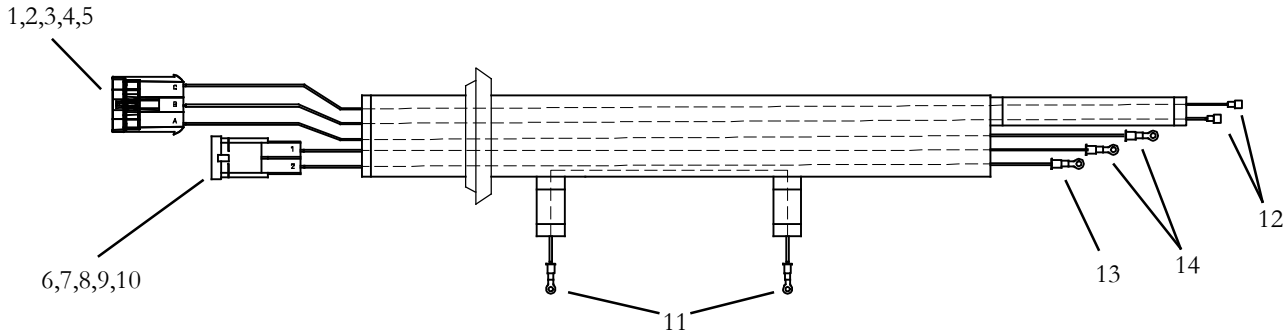


Item	Part Number	Description	Qty
1	Y31-00007-00	Connector, Female, Molex, 3 Way (Molex # 44441-2003)	1
2	Y31-00007-50	Terminal, Female, Molex, 18-20 AWG (Molex # 43375-2001)	2
3	Y31-00007-51	Terminal, Female, Molex, 14-16 AWG (Molex # 43375-1001)	1
4	22-01140-04	Terminal, Ring 3/8", 12/10 AWG (AMP # 2-320577-3)	2
5	22-00872-03	Terminal, Ring 5/16", 8 AWG (AMP # 52291)	2
6	22-02245-02	Terminal, Female, Fully Insulated, 22/18 AWG (AMP # 2-520405-2)	2
7	22-01139-02	Terminal, Ring, #10 - 14/16 AWG (Tyco # 51864-2)	1
8	22-01140-02	Terminal, Ring, #10 - 12/10 AWG (AMP # 35109)	2



NOTE: Complete Wire Harnesses are Non-Stock Items. Replacement Components are Listed and can be cross referenced to supplier part number in manual T-375PL.

1.2.9 EM2 GEN-VI, Wire Harness 22-62303-02: OPTION 3

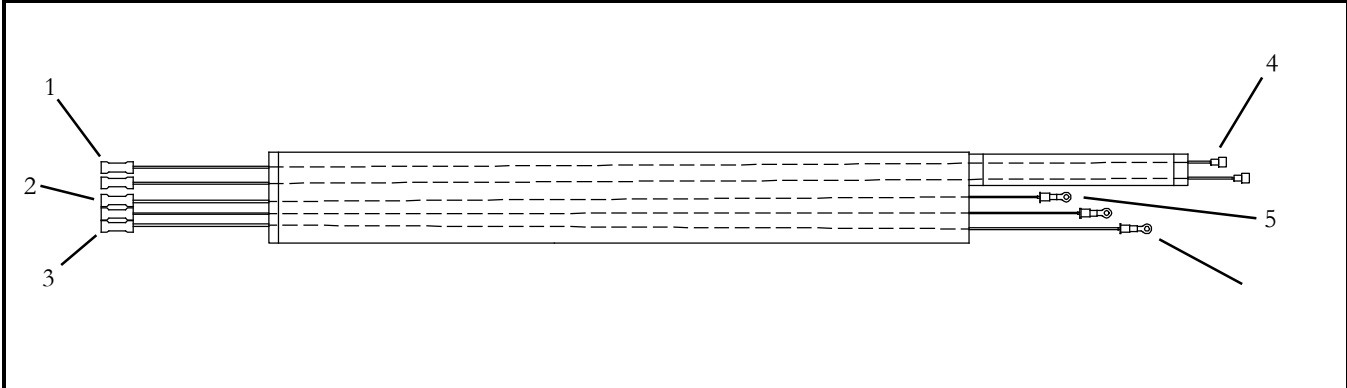


Item	Part Number	Description	Qty
1	22-50078-86	Connector, Male, M/P 630, 3 Way (Delphi # 12124686)	1
2	22-50078-49A	Terminal, Male, 18 AWG (Delphi # 12064734)	2
3	22-50078-49C	Terminal, Male, 12 AWG (Delphi # 12064737)	1
4	22-50078-86B	Cable Seal (Delphi # 15324995)	3
5	22-50078-86A	Lock, Secondary (Delphi # 12045699)	1
6	22-50098-67	Connector, Male, Tyco, 2 Way (Tyco # 1544334-1)	1
7	22-50098-67B	Terminal, Male, 8 AWG (Tyco # 1544333-1)	1
8	22-50098-67A	Terminal, Male, 10/12 AWG (Tyco # 1544332-1)	1
9	22-50098-67C	Cable Seal, 10/12 AWG (Tyco # 1544316-1)	1
10	22-50098-67D	Cable Seal, 8 AWG (Tyco # 1544316-2)	1
11	22-00872-03	Terminal, Ring 5/16", 8 AWG (AMP # 52291)	2
12	22-02245-02	Terminal, Female, Fully Insulated, 22/18 AWG (AMP # 2-520405-2)	1
13	22-00872-01	Terminal, Ring, #10 - 8 AWG (AMP # 52263-1)	1
14	22-01140-02	Terminal, Ring, #10 - 12/10 AWG (AMP # 35109)	2



NOTE: Complete Wire Harnesses are Non-Stock Items. Replacement Components are Listed and can be cross referenced to supplier part number in manual T-375PL.

1.2.9 EM2 GEN-VI, Wire Harness 22-62303-03: OPTION4



Item	Part Number	Description	Qty
1	Y31-00032-00	Terminal, Butt Splice, 22-16 AWG, Heat Sealable	2
2	Y31-00032-03	Terminal, Butt Splice, 8 AWG, Heat Sealable	1
3	Y31-00032-02	Terminal, Butt Splice, 12-10 AWG, Heat Sealable	2
4	22-02245-02	Terminal, Female, Fully Insulated, 22/18 AWG (AMP# 2-520405-2)	2
5	22-00872-01	Terminal, Ring, #10 - 8 AWG (AMP# 52263-1)	1
6	22-01140-02	Terminal, Ring, #10 - 12/10 AWG (AMP# 35109)	2



OPTION TABLE - EM2 - CLASSIC LINE (12V)

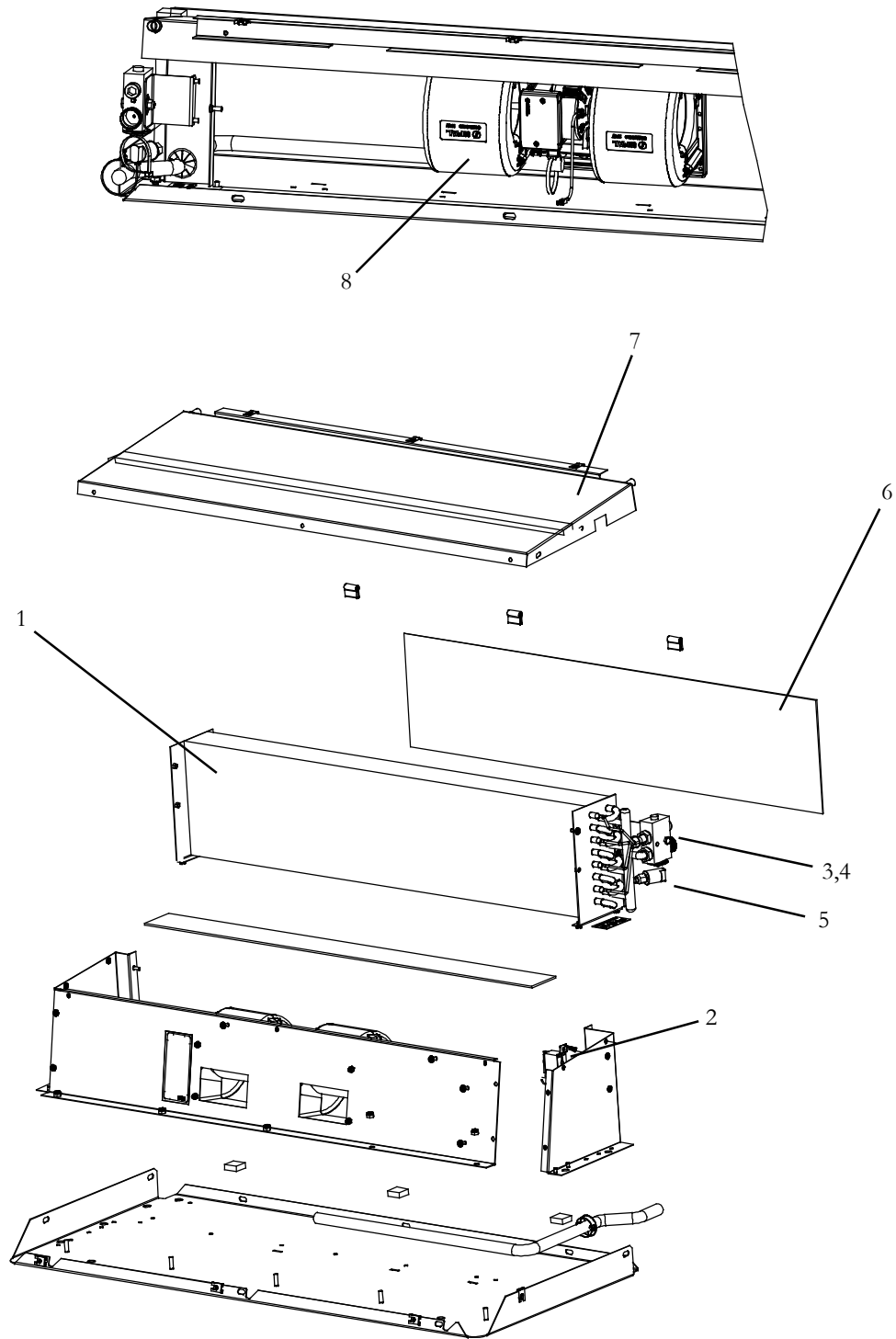
MODEL EM2 Y19-EM207	Cover Kit (See Section 1.2.11)	Chassis Kit (See Section 1.2.10)	Wire Harness (See Section 1.2.12)
-00	-	1	1
-01	-	2	1
-21	2	1	1
-22	1	1	1
-23	2	2	1
-24	1	2	1
-30	2	1	1
-31	1	1	1
-32	2	2	1
-33	1	2	1
-61	4	1	1
-62	3	1	1
-63	4	2	1
-64	3	2	1
-80	2	2	2
-82	1	2	2

OPTION TABLE - EM2 - CLASSIC LINE (24V)

MODEL EM2 Y19-EM206	Cover Kit (See Section 1.2.11)	Chassis Kit (See Section 1.2.10)	Wire Harness (See Section 1.2.12)
-00	-	1	1
-01	-	2	1
-21	2	1	1
-22	1	1	1
-23	2	2	1
-24	1	2	1
-41	2	1	1
-42	1	1	1
-43	2	2	1
-44	1	2	1
-61	4	1	1
-62	3	1	1



1.2.10 EM-2, CLASSIC LINE, 12 & 24VDC, 3 SPEED CHASSIS KITS, OPTION 1 & 2

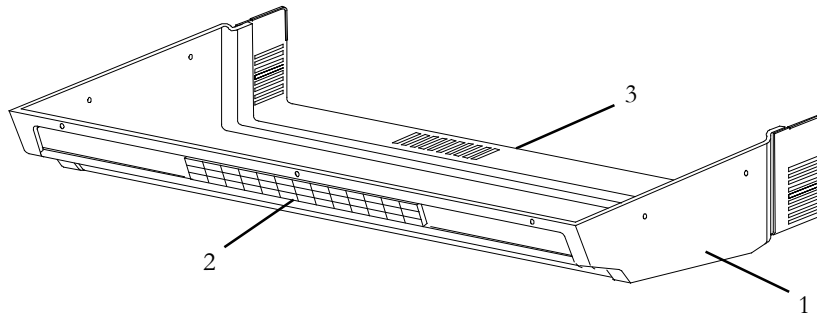




1.2.10 EM-2, CLASSIC LINE, 12 & 24VDC, 3 SPEED CHASSIS KITS, OPTION 1 & 2, Cont.			
Item	Part Number	Description	Qty
1	08-62060-00	Coil Assembly, Evaporator (Cool Only), OPTION 1	1
	08-62059-00	Coil Assembly, Evaporator W/ Heat, OPTION 2	1
2	12-00685-00	Thermostat	1
3	14-00397-00	Expansion Valve	1
4	AC801-202	O-Rings, 1/2" HN BR	2
5	AC201-412	Pressure Switch, Low	1
6	AC801-405	Filter, Air	1
7	79-02383-00	Drain Pan Assembly	1
8	Y15-00003-00	Blower Assembly, 12VDC, w/Resistor	2
	Y15-00003-01	Blower Assembly, 24VDC, w/Resistor	2

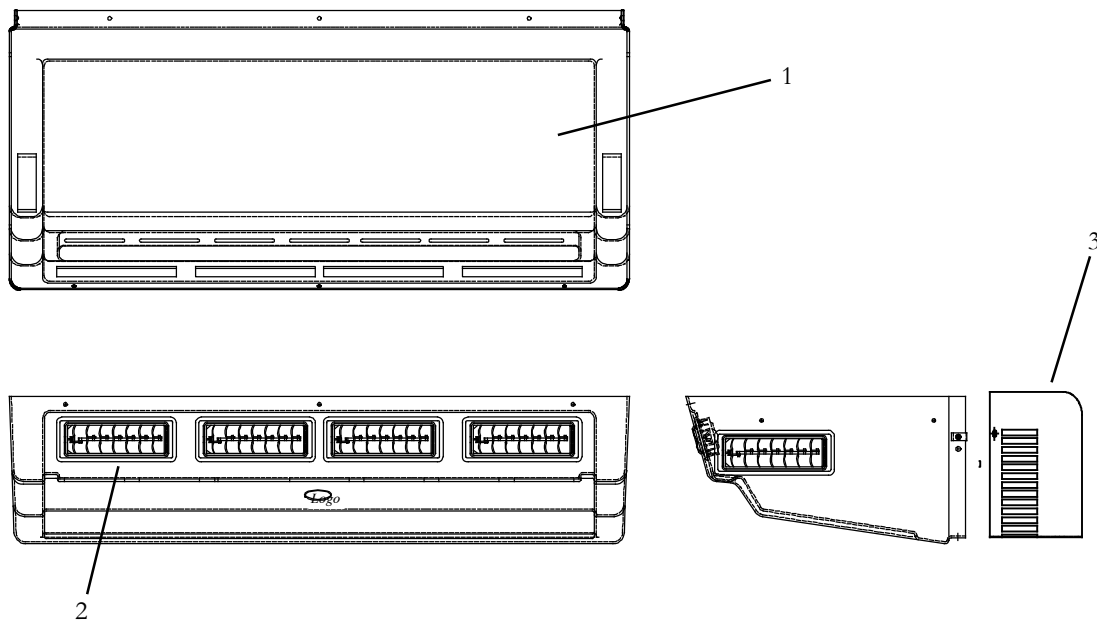


1.2.11 EM-2, CLASSIC LINE, COVER ASSEMBLY, REAR MOUNT : OPTION 1 & 2



Item	Part Number	Description	Qty
1	79-62072-01	Cover Assembly, Gray, Includes: OPTION 1	1
	79-62072-00	Cover Assembly, White, Includes: OPTION 2	1
2	AC401-320	Diffuser, Air, Adjustable Rectangular	1
3	AC022-251	Grille, Return Air	1

1.2.11 EM-2, CLASSIC LINE, COVER ASSEMBLY, REAR MOUNT : OPTION 3 & 4

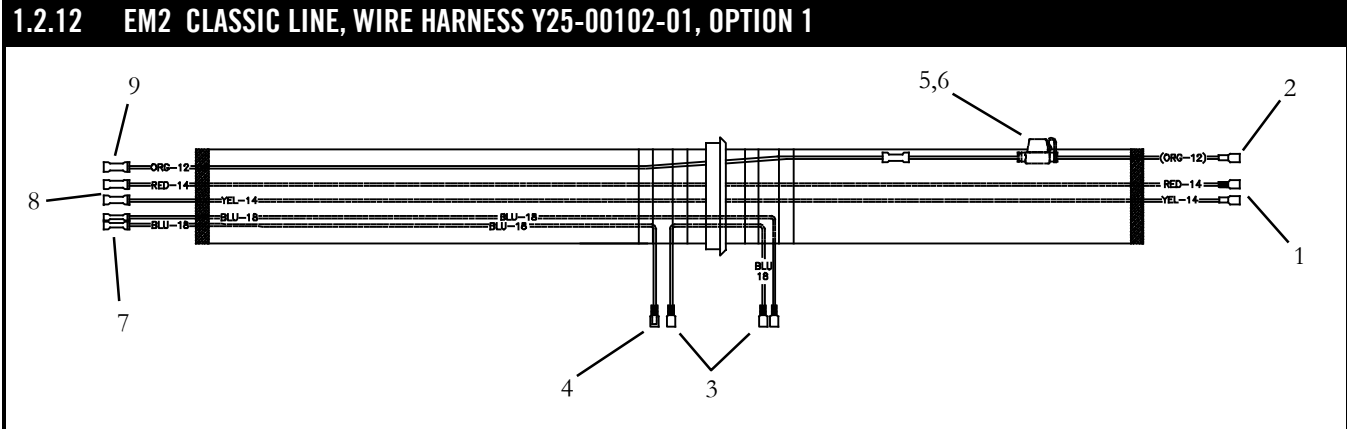


Item	Part Number	Description	Qty
1	79-62075-01	Cover Assembly, Gray, Includes: OPTION 3	1
	79-62075-00	Cover Assembly, White, Includes: OPTION 4	1
2	58-62042-00	Diffuser, Air, Adjustable Rectangular	6
3	022-290	Grille, Return Air (Not included w/cover)	1
NS	76-62103-05	Kit, Hardware (Multicolor, Screws & Caps)	1



NOTE

Complete Wire Harnesses are Non-Stock Items. Replacement Components are Listed and can be cross referenced to supplier part number in manual T-375PL.

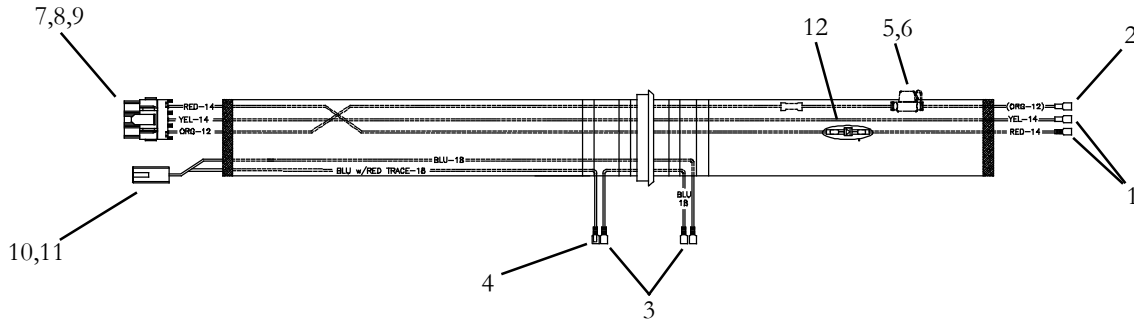


Item	Part Number	Description	Qty
1	22-01141-01	Terminal, Female, 1/4" Pushon, Insulated 16-14 AWG	2
2	22-01142-01	Terminal, Female, 1/4" Pushon, Insulated 10-12 AWG	1
3	22-02245-02	Terminal, Female, 1/4" Pushon, Insulated 22-18 AWG	3
4	22-01502-00	Terminal, Male, 1/4" Pushon, Insulated 22-18 AWG	1
5	22-02338-07	Fuseholder, w/Cap	1
6	22-02336-26	Fuse, Mini, 25A	1
7	REF	Terminal, Butt Splice, Heat Sealable, 22-18 AWG (Molex Part # 19164-0013)	2
8	REF	Terminal, Butt Stepdown, Heat Sealable, 16-14/12-10 AWG (Molex Part # 19164-0077)	2
9	REF	Terminal, Butt Stepdown, Heat Sealable, 12-10/8 AWG (Waytec Part # 38253)	1
N.S.	Y30-13000-00	Nyogel	1



Complete Wire Harnesses are Non-Stock Items. Replacement Components are Listed and can be cross referenced to supplier part number in manual T-375PL.

1.2.12 EM2 CLASSIC LINE, WIRE HARNESS Y25-00102-03, OPTION 2

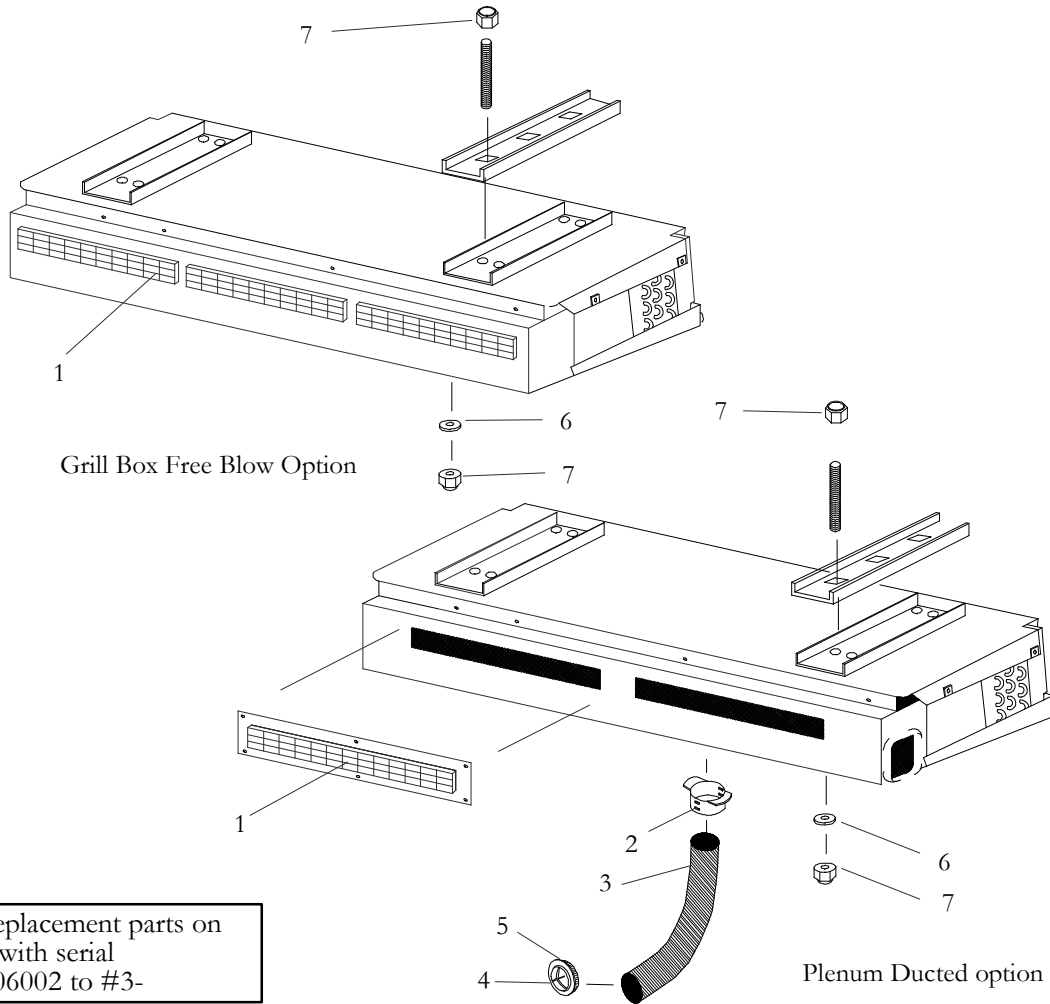


Item	Part Number	Description	Qty
1	22-01141-01	Terminal, Female, 1/4" Pushon, Insulated 16-14 AWG (AMP# 3-350819-2)	2
2	31-1247	Terminal, Female, 1/4" Pushon, Insulated 10-12 AWG (AMP# 4-520447-2)	1
3	22-02245-02	Terminal, Female, 1/4" Pushon, Insulated 22-18 AWG (AMP# 2-520405-2)	3
4	22-01502-00	Terminal, Male, 1/4" Pushon, Insulated 22-18 AWG (AMP# 2-520102-2)	1
5	22-02338-07	Fuseholder, w/Cap (Littlefuse# FHM0002)	1
6	22-02336-26	Fuse, Mini, 25A (Littlefuse# 297025)	2
7	22-50099-31	Connector, Receptacle, 3 Way, (Molex # 42816-0312)	1
8	Y31-00044-01	Terminal, Female, 10-12 AWG, (Molex # 42815-0114)	1
9	Y31-00044-02	Terminal, Female, 14-16 AWG, (Molex # 42815-0144)	2
10	Y31-00043-04	Connector, Receptacle, 2 Way, (TE # 180907-5)	1
11	-	Terminal, Female (TE # 640417-2)	2
12	201-600	Diode, 6A, 250 V	1
N.S.	Y30-13000-00	Nyogel	1



SECTION 1.3 EM-3 EVAPORATORS

1.3.1 EVAPORATOR, EM-3, GEN 4, DUCTED, WITH PLENUM OR GRILL BOX

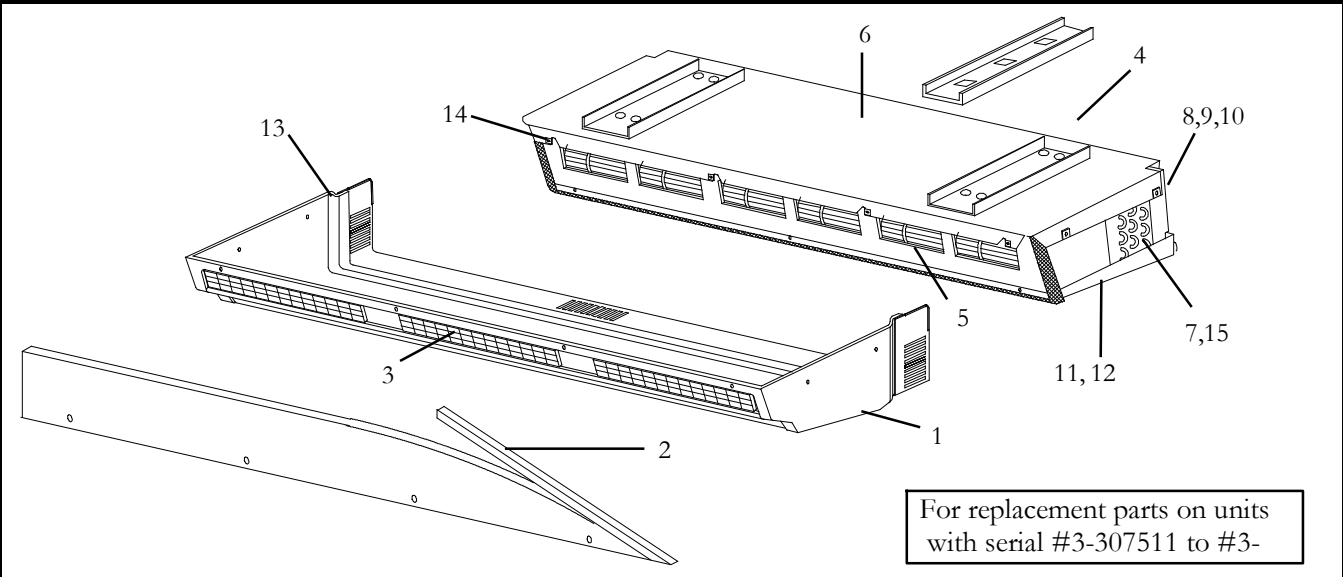


For replacement parts on units with serial #3-306002 to #3-

Item	Part Number	Description	Qty
1	AC401-320	Louver, (14-3/8 X 3-3/8 Inches)	A/R
2	AC401-307	Adapter, Hose, (2-1/2 Inch)	2
3	AC301-205	Hose, Duct, 2-1/2 Inch Diameter X Foot	3
4	23-0582	Ball, Louver, 2-1/2 Inch Diameter With Hose Back (Was 58-01386-00)	2
5	AC401-306	Ring, Mounting, For Louver Ball	2
6	NSI	Washer, Flat, 3/8 Inch, Zinc Plated	12
7	NSI	Nut, Hex, Lock, (Esna), 3/8-16, Zinc Plated	12



1.3.2 EVAPORATOR, EM-3, GEN 4, FREE BLOW



For replacement parts on units with serial #3-307511 to #3-

Item	Part Number	Description	Qty
1	79-62073-00	Assembly, Cover, White	1
	79-62073-01	Assembly, Cover, Gray	1
2	AC801-412F25	Flexible Trim, Black (25 Ft. Roll)	1
3	AC401-320	Assembly, Louver, Air Outlet, (14-3/8 X 3- 1/2 Inch)	3
4	38-00573-07	Filter, Return Air, (26.25 X 8 X 1/4 Inch)	2
5	54-00588-00	Assembly, Blower, Dual, 12 VDC	3
	AC401-233	Assembly, Blower, Dual, 24 VDC	3
6	76-62019-00	Resistor Kit, (1.8 Ohm, 4 Prong)	3
7	08-62067-00	Assembly, Coil, R134a, With Heat, With Low Pressure Switch Connection	1
	08-62068-00	Assembly, Coil, R134a, With Low Pressure Switch Connection	1
8	14-00397-00	Valve, Thermal Expansion, R134a	2
9	AC801-202	O-Ring, 1/2 Inch	4
10	AC201-501	Thermostat, Freeze-Up, Coil Insert	1
11	N/A	Assembly, Drain Pan, (Foamed)	1
12	AC022-314	Baffle, Foam, EM_3 Drain Pan	1
13	AC801-414	Gasket, Foam, 3/8 X 1 Inch X 25 Foot Roll	1
14	AC701-123	Clip, Tinnerman, High-Torque, (#10AB)	14
15	AC201-412	Switch, Low Pressure	1



**OPTION TABLE - EM3 - GEN V,
12 VDC - 3 Speed**

MODEL EM3 Gen V 77-62532	Cover Kit (see Section 1.3.5)	Chassis Kit (see Section 1.3.3)	Wire Harness (see Section 1.3.4)
-00	-	1	1
-01	-	1	1 & 2
-05	-	1	1 & 4
-06	-	1	1 & 5
-21	1	1	1 & 2
-22	2	1	1 & 2
-24	2	1	1 & 2
-31	1	1	1
-32	2	1	1
-41	1	1	1 & 2
-42	2	1	1 & 2
-44	2	1	1 & 2
-45	1	1	1 & 2
-47	2	1	1 & 2
-48	-	1	1 & 3
-80	1	1	1,2 & 7
-81	1	1	1,2 & 7
-82	2	1	1,2 & 7
-83	2	1	1,2 & 7
-85	2	1	1
-90	2	1	1,2 & 5
-96	2	1	1 & 2

**OPTION TABLE - EM3 - GEN V
12 VDC - Variable Speed**

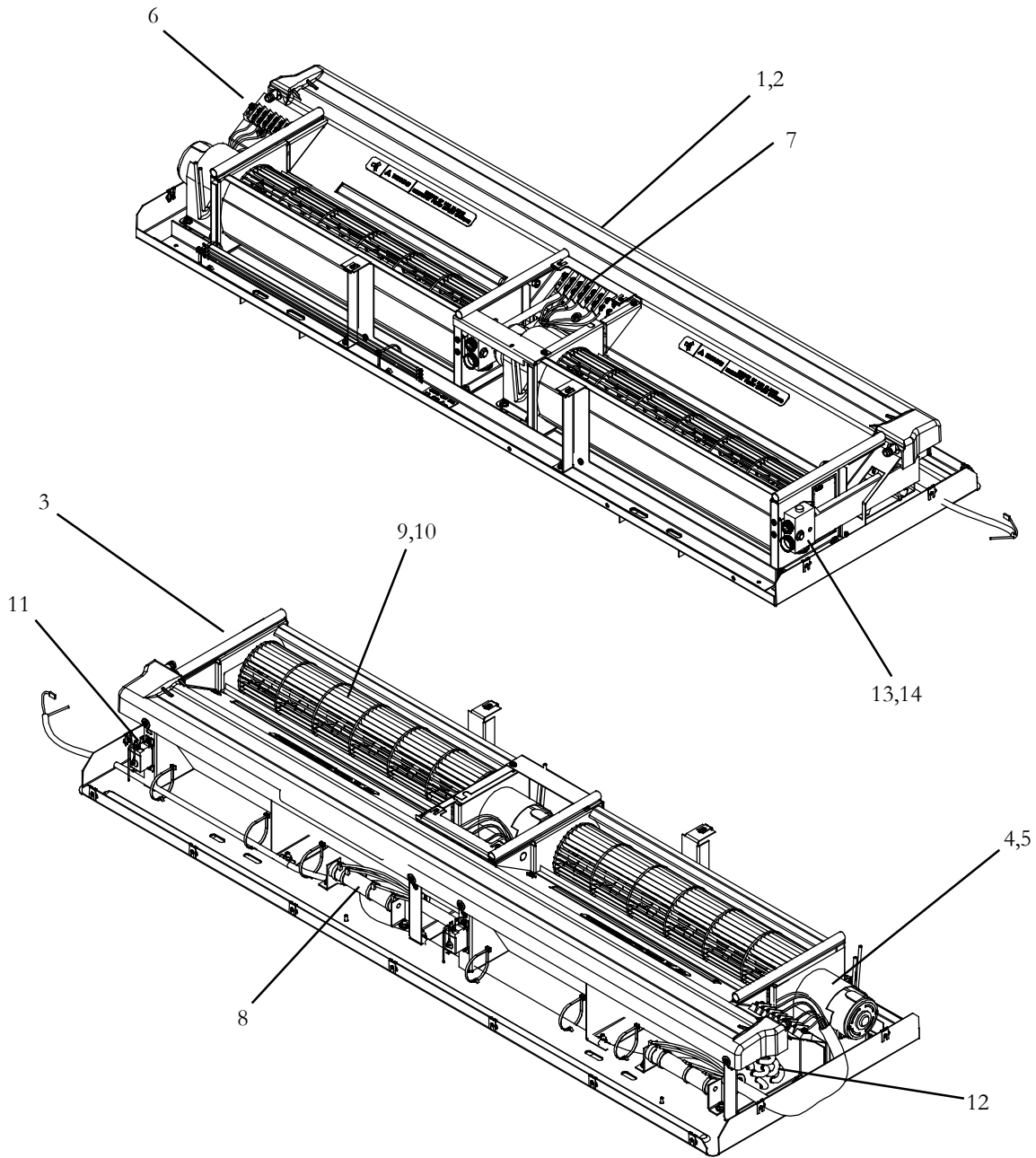
MODEL EM3 Gen V 77-62312	Cover Kit (see Section 1.3.5)	Chassis Kit (see Section 1.3.3)	Wire Harness (see Section 1.3.4)
-00	-	1	6
-21	1	1	2 & 6
-22	2	1	2 & 6
-31	1	1	2 & 6
-32	2	1	2 & 6
-41	1	1	2 & 6
-42	2	1	2 & 6
-44	2	1	2 & 6
-45	1	1	2 & 6

**OPTION TABLE - EM3 - GEN V
24 VDC - Variable Speed**

MODEL EM3 Gen V 77-62324	Cover Kit (see Section 1.3.5)	Chassis Kit (see Section 1.3.3)	Wire Harness (see Section 1.3.4)
-00	-	1	6
-21	1	1	6
-22	2	1	6
-31	1	1	6
-32	2	1	6
-41	1	1	6
-42	2	1	6
-44	2	1	2 & 6
-45	1	1	2 & 6



1.3.3 EM-3, 3 SPEED CHASSIS KITS (Common Parts) OPTION 1



Item	Part Number	Description	Qty
1	79-62107-00	Drain Pan Assembly, EM-3, Gen-V - Includes:	2
2	42-62140-01Baffle, Drain Pan, Foam	1
3	58-62064-00F25	Trim Seal, 1/8 Inch Grip (25 Feet Roll)	A/R
4	Y45-00005-51	Motor, Evaporator, 12 VDC	2
	-Fuse, 30A, 12VDC	NSI
	Y45-00005-54	Motor, Evaporator, 24VDC	2
	-Fuse, 20A, 24VDC	NSI



1.3.3 EM-3, 3 SPEED CHASSIS KITS (Common Parts) OPTION 1: Continued			
Item	Part Number	Description	Qty
5	42-62052-00	Gasket, Motor, (Gen-V)	2
6	22-62141-01	Terminal Block, 7 Position, Without Screws	1
7	22-62100-01	Terminal Block, 7 Position, With Screws	1
8	22-62169-00	Resistor, 220 W, .820 Ohm (3 Speed Application ONLY)	2
9	38-00564-53	Blower Wheel (Length - 21.90 Inches - 556.3 mm) Includes:	1
10	34-00482-05Set Screw, Cup Point, 1/4-28, SS	1
N.S.	76-62257-00	Blower Housing & Boot Repair Kit	1
11	12-00685-00	Thermostat, Freeze-Up, Non-Adjustable	2
12	08-01069-00	Coil, Evaporator	2
13	14-00397-00	Valve, Thermal Expansion, Block, R134a	2
14	AC801-202	O-Ring, 1/2 Inch	4
N.S.	AC201-412	Switch, Pressure, Low	2
N.S.	42-00032-00	Tape, Insulation, Prestite, 2 Inch X 30 Feet Long	1



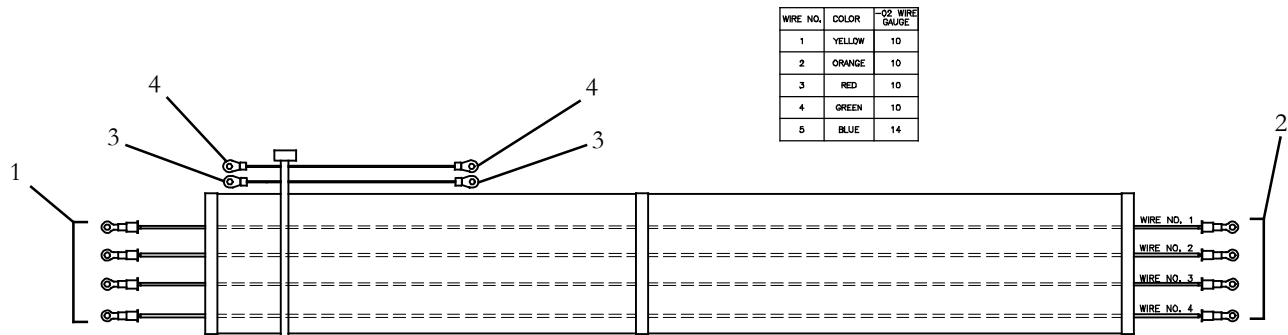
NOTE: Complete Wire Harnesses are Non-Stock Items. Replacement Components are Listed and can be cross referenced to supplier part number in manual T-375PL.

1.3.4 EM3 GEN-V, Wire Harness 22-62168-00 : OPTION 1



Item	Part Number	Description	Qty
1	22-00119-03	Terminal Ring #10, 12/10 AWG (AMP# 2-34170-1)	4
2	22-00121-27	Terminal Ring #10, 22/18 AWG (AMP# 2-34149-1)	2
3	22-02245-02	Terminal, Female, Insulated Faston Straight 1/4", 22/18 AWG (AMP# 2-520405-2)	2/3
4	31-1247	Terminal, Female, Insulated Faston Straight 1/4", 12/10 AWG (TE# 4-520447-2)	4

1.3.4 EM3 GEN-V, Wire Harness 22-62164-00 : OPTION 2



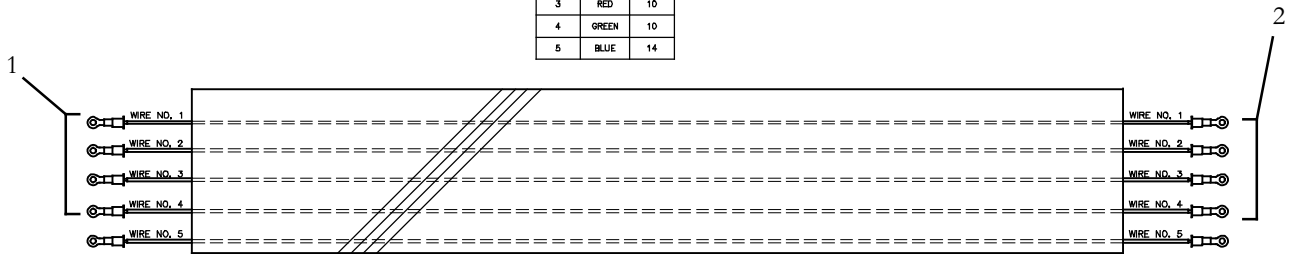
Item	Part Number	Description	Qty
1	22-01140-05	Ring Terminal, #8 - 10 AWG (AMP# 35108)	4
2	22-01140-02	Ring Terminal, #10 - 10 AWG (AMP# 35109)	4
3	22-00121-25	Ring Terminal, #8 - 18 AWG (AMP# 2-31890-1)	2
4	22-00121-27	Ring Terminal, #10 - 18 AWG (AMP# 2-34149-1)	2



NOTE: Complete Wire Harnesses are Non-Stock Items. Replacement Components are Listed and can be cross referenced to supplier part number in manual T-375PL.

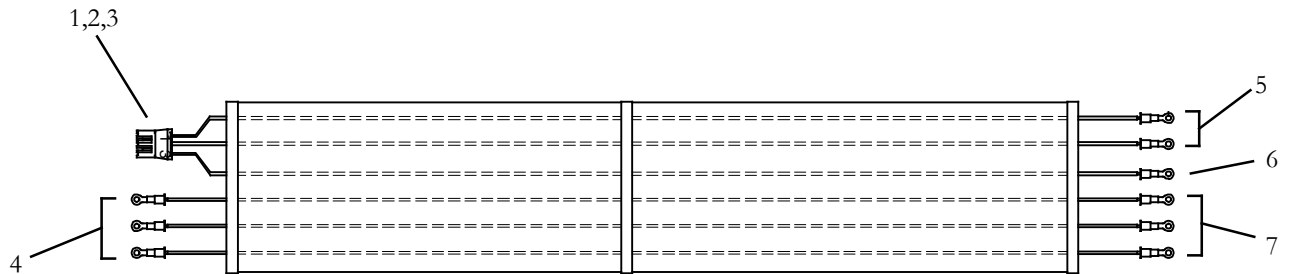
1.3.4 EM3 GEN-V, Wire Harness 22-62164-02 : OPTION 3

WIRE NO.	COLOR	-OZ WIRE GAUGE
1	YELLOW	10
2	ORANGE	10
3	RED	10
4	GREEN	10
5	BLUE	14



Item	Part Number	Description	Qty
1	22-01140-05	Ring Terminal, #8 - 10 AWG (AMP# 35108)	4
2	22-01140-02	Ring Terminal, #10 - 10 AWG (AMP# 35109)	4
3	22-01139-05	Ring Terminal, #8 - 14/16 AWG (Tyco# 51864-1)	1
4	22-01139-02	Ring Terminal, #10 - 14/16 AWG (Tyco# 51864-2)	1

1.3.4 EM2 GEN-V, Wire Harness 22-62261-00: OPTION 4

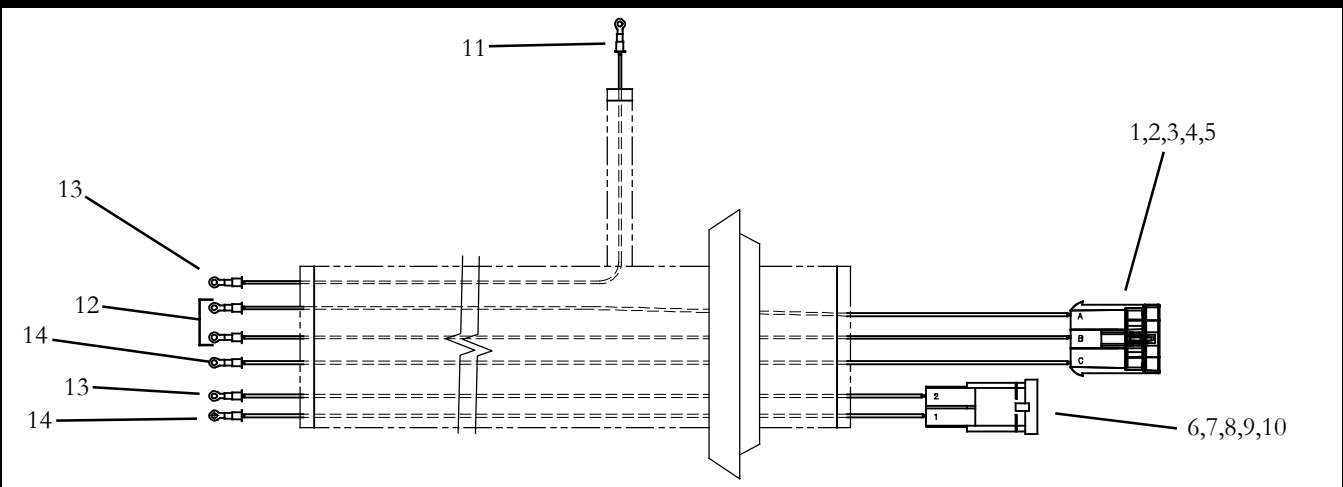


Item	Part Number	Description	Qty
1	Y31-00007-00	Connector, Female, 3 Way (Molex# 44441-2003)	1
2	Y31-00007-50	Terminal, Female, 18-20 AWG (Molex# 43375-2001)	2
3	Y31-00007-51	Terminal, Female, 14-16 AWG (Molex# 43375-1001)	1
4	22-01140-04	Terminal, Ring, 3/8", 12/10 AWG (AMP# 2-320577-3)	3
5	22-00121-27	Terminal, Ring, #10 - 18 AWG (AMP# 2-34149-1)	2
6	22-01139-02	Terminal, Ring, #10 - 14/16 AWG (Tyco# 51864-2)	1
7	22-01140-02	Terminal, Ring, #10 - 12/10 AWG (AMP# 35109)	3



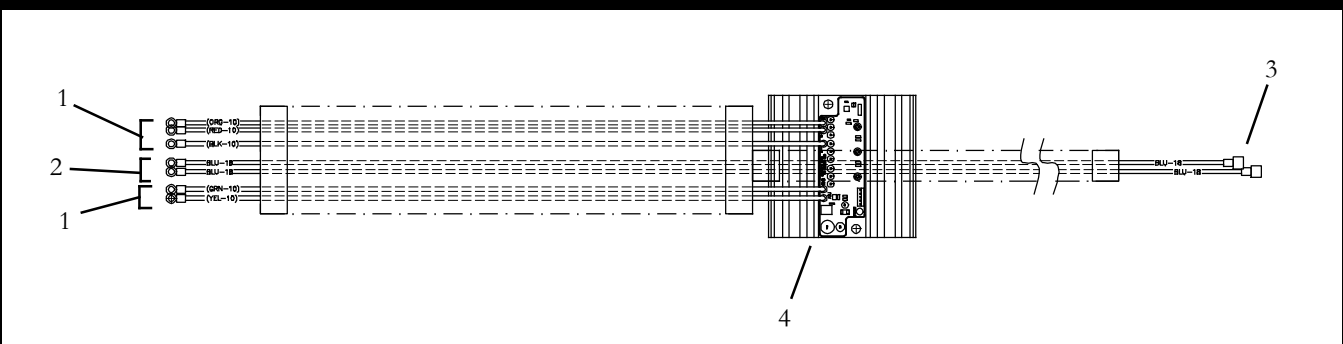
NOTE: Complete Wire Harnesses are Non-Stock Items. Replacement Components are Listed and can be cross referenced to supplier part number in manual T-375PL.

1.3.4 EM3 GEN-V, Wire Harnesses 22-62204-00: OPTION 5



Item	Part Number	Description	Qty
1	22-50078-86	Connector, Male, M/P 630, 3 Way (Delphi# 12124686)	1
2	22-50078-49A	Terminal, Male, 18 AWG (Delphi# 12064734)	2
3	22-50078-49C	Terminal, Male, 12 AWG (Delphi# 12064737)	1
4	22-50078-86B	Cable Seal (Delphi# 15324995)	3
5	22-50078-86A	Lock, Secondary (Delphi# 12045699)	1
6	22-50098-67	Connector, Male, 2 Way (Tyco# 1544334-1)	1
7	22-50098-67B	Terminal, Male, 8 AWG (Tyco# 1544333-1)	1
8	22-50098-67A	Terminal, Male, 10/12 AWG (Tyco# 1544332-1)	1
9	22-50098-67C	Cable Seal, 10/12 AWG (Tyco# 1544316-1)	1
10	22-50098-67D	Cable Seal, 8 AWG (Tyco# 1544316-2)	1
11	22-00872-03	Terminal, Ring 5/16", 8 AWG (AMP# 52291)	2
12	22-00121-27	Terminal, Ring, #10 - 18 AWG (AMP# 2-34149-1)	2
13	22-00872-01	Terminal, Ring, #10 - 8 AWG (AMP# 52263-1)	2
14	22-00119-03	Terminal, Ring, #10 - 12/10 AWG (AMP# 2-34170-1)	2

1.3.4 EM3 GEN-V, Wire Harness 22-62099-00 : OPTION 6

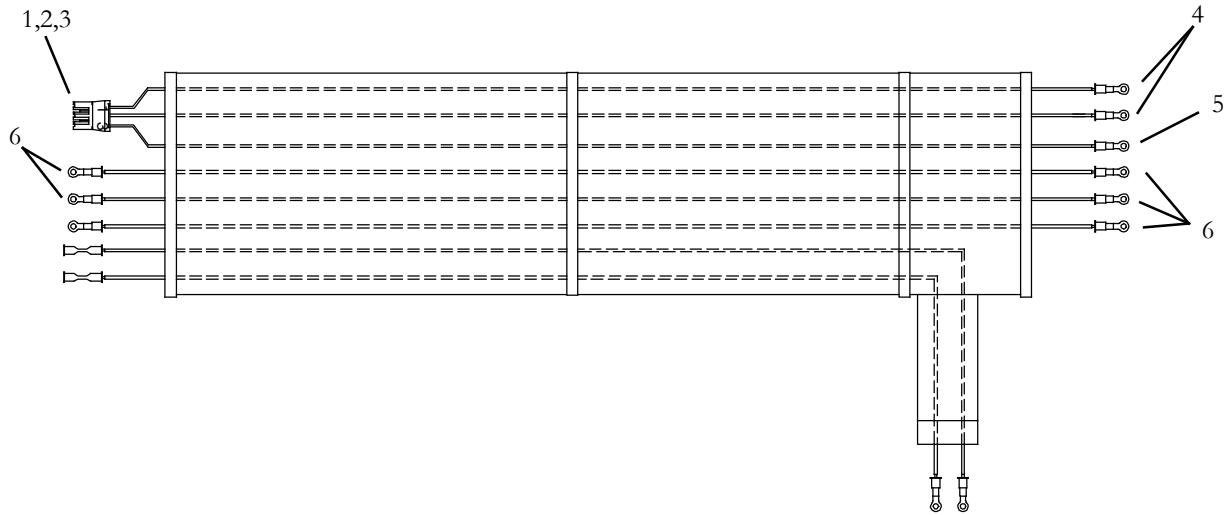


Item	Part Number	Description	Qty
1	22-01140-02	Terminal Ring #10, 12/10 AWG (AMP# 35109)	5
2	22-00121-27	Terminal Ring #10, 22/18 AWG (AMP# 2-34149-1)	2
3	22-02245-02	Terminal, Female, Insulated Faston Straight 1/4", 22/18 AWG (AMP# 2-520405-2)	2/4
4	12-00533-00	Speed Controller w/Harness	1



NOTE: Complete Wire Harnesses are Non-Stock Items. Replacement Components are Listed and can be cross referenced to supplier part number in manual T-375PL.

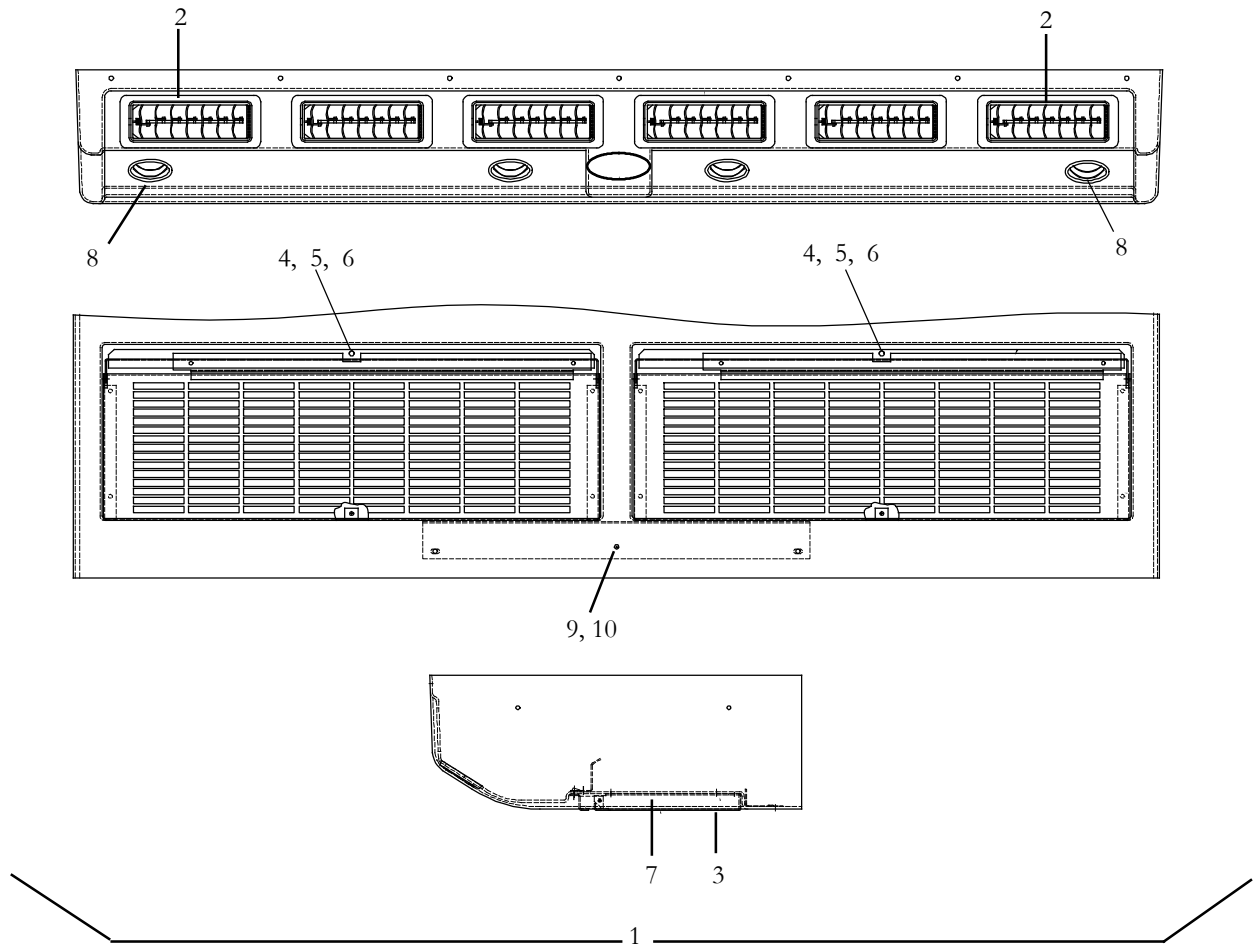
1.3.4 EM3 GEN-V, Wire Harnesses 22-62261-02: OPTION 7



Item	Part Number	Description	Qty
1	Y31-00007-00	Connector, Female, 3 Way (Molex# 44441-2003)	1
2	Y31-00007-50	Terminal, Female, 18-20 AWG (Molex# 43375-2001)	2
3	Y31-00007-51	Terminal, Female, 14-16 AWG (Molex# 43375-1001)	1
4	22-00121-27	Terminal, Ring, 22-16 AWG, #10 (AMP# 2-34149-1)	2
5	22-01139-02	Ring Terminal, 16-14AWG, #10 Stud (Tyco# 51864-2)	1
6	22-01140-02	Ring Terminal, 12-10 AWG, #10 Stud (AMP# 35109)	5
7	22-00121-25	Terminal, Ring, 22-16 AWG, #8 (AMP# 2-31890-1)	2
8	-	Butt Splice, 20/18 AWG Heat Sealable (Waytek # 30960)	2
9	22-01140-04	Ring Terminal, 12-10 AWG, 3/8" Stud (AMP# 2-320577-3)	1



1.3.5 EM-3, GEN-5, COVER ASSEMBLY



Item	Part Number	Description	Qty
1	79-62065-01SV	Cover Assembly, EM-3, White - Includes:	1
	79-62065-02SV	Cover Assembly, EM-3, Gray - Includes:	1
2	58-62042-00Louver, Rectangular, (8.00 x 3.00 Inches)	6
3	68-63275-03Grill, Evaporator, EM-3, Gen-V, (Painted)	2
4	34-06169-01Washer, Retaining, 0.215 I.D.	2
5	34-62020-00Stud, 1/4 Turn, .25 Grip Range	2
6	34-62019-00Receptacle, 1/4 Turn	2
7	38-00573-04Filter, Air, (26.81 inch X 9.00 inch)	2
8	Y23-00002-00Louver, Adjustable, 3.00 Inches, (Round)	4
10	AC801-529Washer, Snap Cap	1
	AC801-531Snap Cap, White	1
	AC801-532Snap Cap, Gray	1



OPTION TABLE - EM3 - CLASSIC LINE (12V)

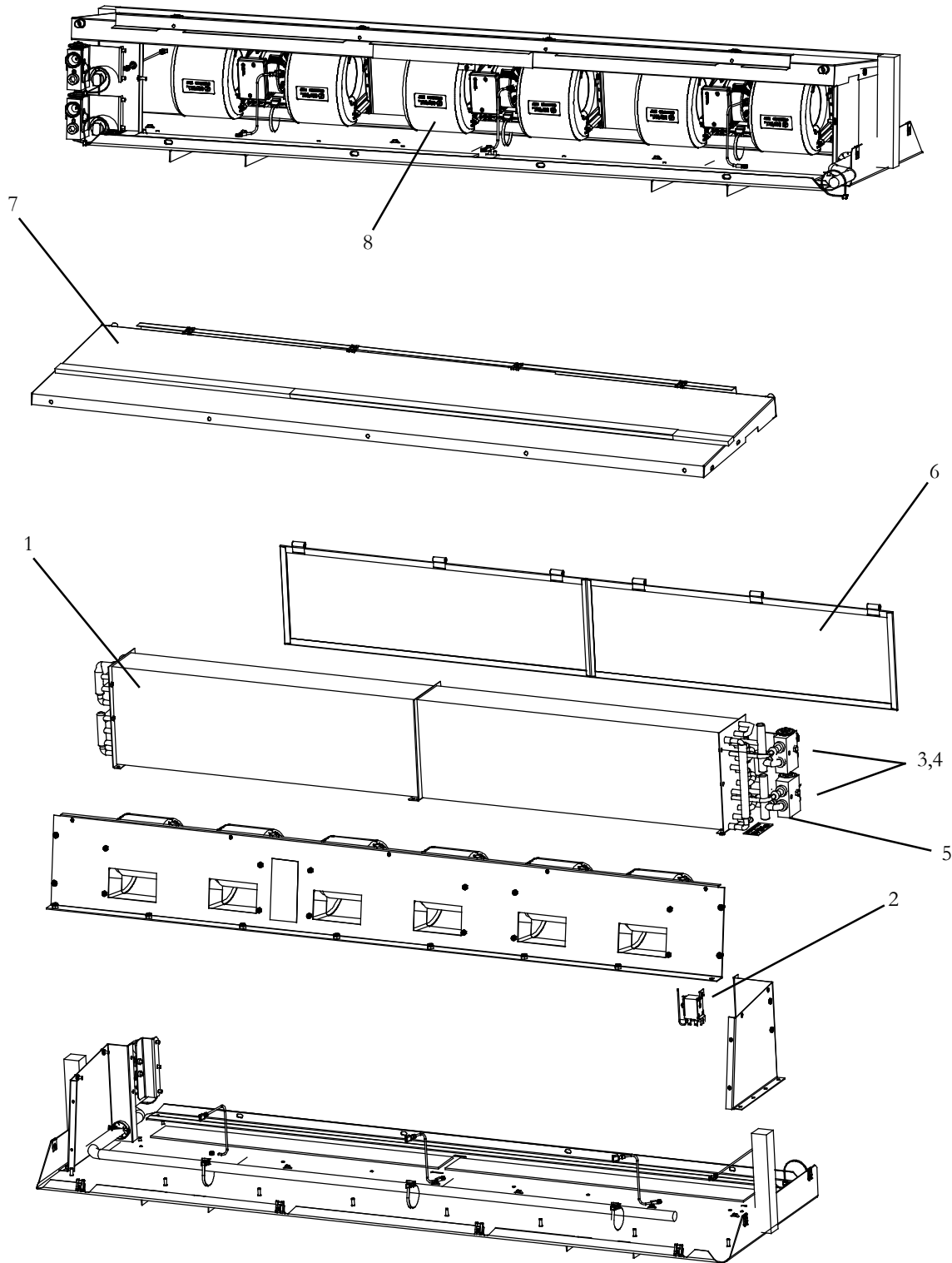
MODEL EM3 Y19-EM307	Cover Kit (See Section 1.3.7)	Chassis Kit (See Section 1.3.6)	Wire Harness (See Section 1.3.8)
-00	-	3	3
-01	-	4	3
-21	2	3	3
-22	1	3	3
-23	2	4	3
-24	1	4	3
-30	2	3	3
-31	1	3	3
-32	2	4	3
-33	1	4	3
-40	2	3	3
-41	1	3	3
-42	2	4	3
-43	1	4	3
-47	1	3	3
-50	2	1	1
-51	1	1	1
-52	2	2	1
-53	1	2	1
-54	2	1	1
-55	1	1	1
-56	2	2	1
-57	1	2	1
-58	1	1	1
-59	-	1	1
-60	2	3	4
-61	1	3	4
-62	2	4	4
-63	1	4	4
-64	1	1	1
-80	2	3	5
-81	1	3	5
-82	2	4	5
-83	1	4	5
-86	-	3	3
-87	1	3	3
-96	1	3	3

OPTION TABLE - EM3 - CLASSIC LINE (24V)

MODEL EM3 Y19-EM306	Cover Kit (See Section 1.3.7)	Chassis Kit (See Section 1.3.6)	Wire Harness (See Section 1.3.8)
-00	-	3	3
-01	-	4	3
-21	2	3	3
-22	1	3	3
-23	2	4	3
-24	1	4	3
-40	2	3	3
-41	1	3	3
-42	2	4	3
-43	1	4	3



1.3.6 EM-3, CLASSIC LINE, 12 VDC, 3 SPEED CHASSIS KITS, Y73-EM303-00 & -01, OPTION 1 & 2

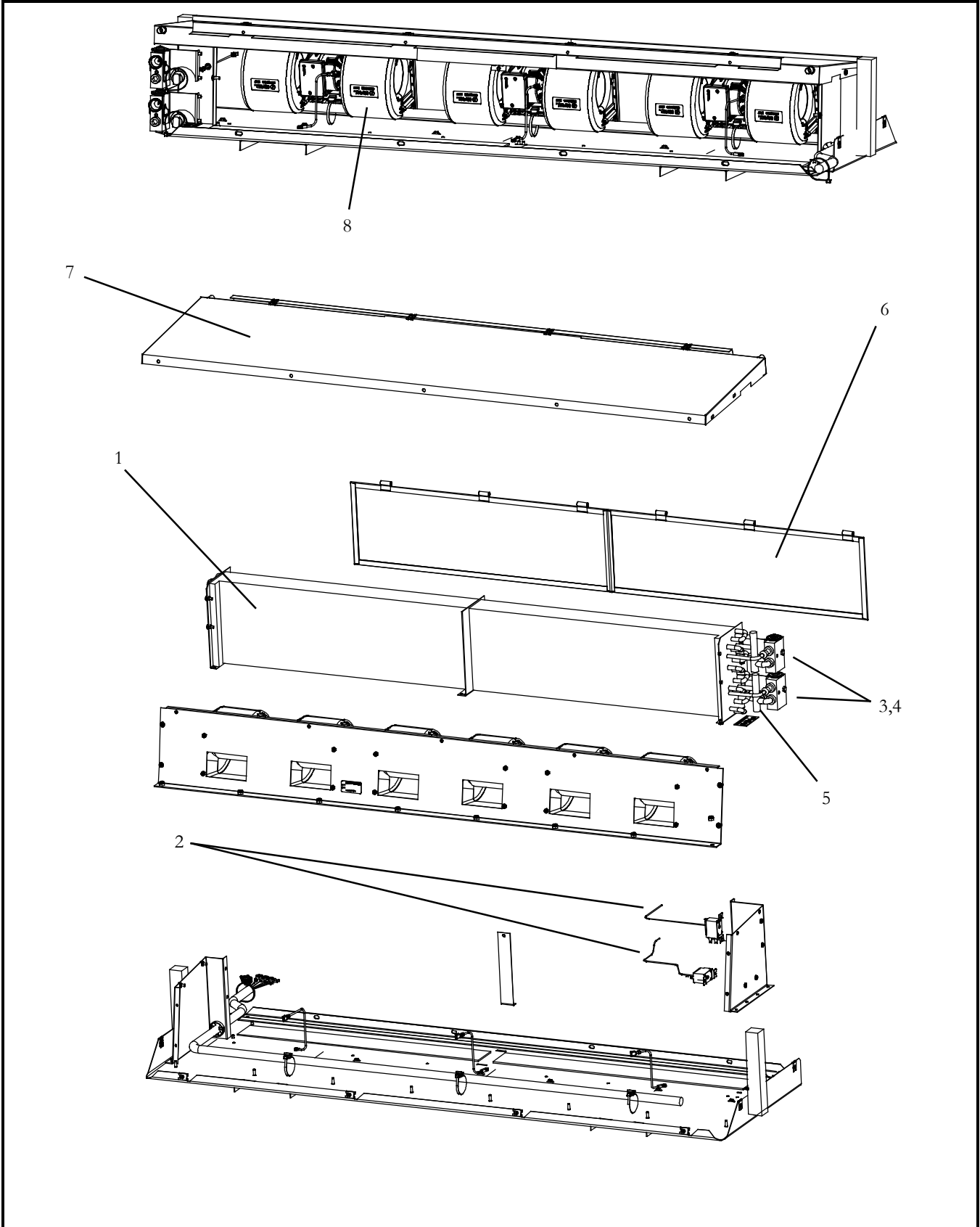




1.3.6 EM-3, CLASSIC LINE, 12 VDC, 3 SPEED CHASSIS KITS, Y73-EM303-00 & -01, OPTION 1 & 2, Cont.			
Item	Part Number	Description	Qty
1	08-62068-00	Coil Assembly, Evaporator, (Cool Only): Option 1	1
	08-62067-00	Coil Assembly, Evaporator, (With Heat): Option 2	1
2	12-00685-00	Thermostat, Freeze-up	1
3	14-00397-00	Thermal Expansion Valve (TXV)	2
4	AC801-202	O-Rings, 1/2" HN BR	4
5	AC201-412	Pressure Switch, Low	2
6	38-00573-07	Filter, Air	2
7	79-62127-00	Drain Pan Assembly	1
8	Y15-00003-00	Blower Assembly, 12VDC, w/Resistor	3



1.3.6 EM-3, CLASSIC LINE, 12/24 VDC, 3 SPEED CHASSIS KITS Y73-EM303-02 thru -09 : OPTION 3 & 4

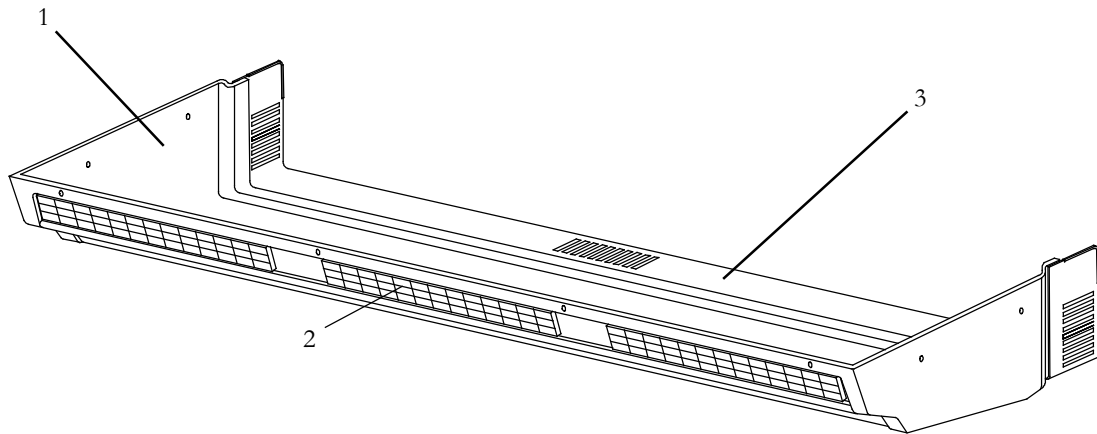




1.3.6 EM-3, CLASSIC LINE, 12VDC, 3 SPEED CHASSIS KITS Y73-EM303-02 thru -09 : OPTION 3 & 4, Cont.			
Item	Part Number	Description	Qty
1	08-62068-00	Coil Assembly, Evaporator, (Cool Only): Option 3	1
	08-62067-00	Coil Assembly, Evaporator, (With Heat): Option 4	1
2	12-00685-00	Thermostat, Freeze-up	2
3	14-00397-00	Thermal Expansion Valve (TXV)	2
4	AC801-202	O-Rings, 1/2" HN BR	4
5	AC201-412	Pressure Switch, Low	2
6	38-00573-07	Filter, Air	2
7	79-62127-00	Drain Pan Assembly	1
8	Y15-00003-00	Blower Assembly, 12VDC, w/Resistor	3
	Y15-00003-01	Blower Assembly, 24VDC, w/Resistor	3



1.3.7 EM-3, CLASSIC LINE, COVER ASSEMBLY, REAR MOUNT : OPTION 1 & 2

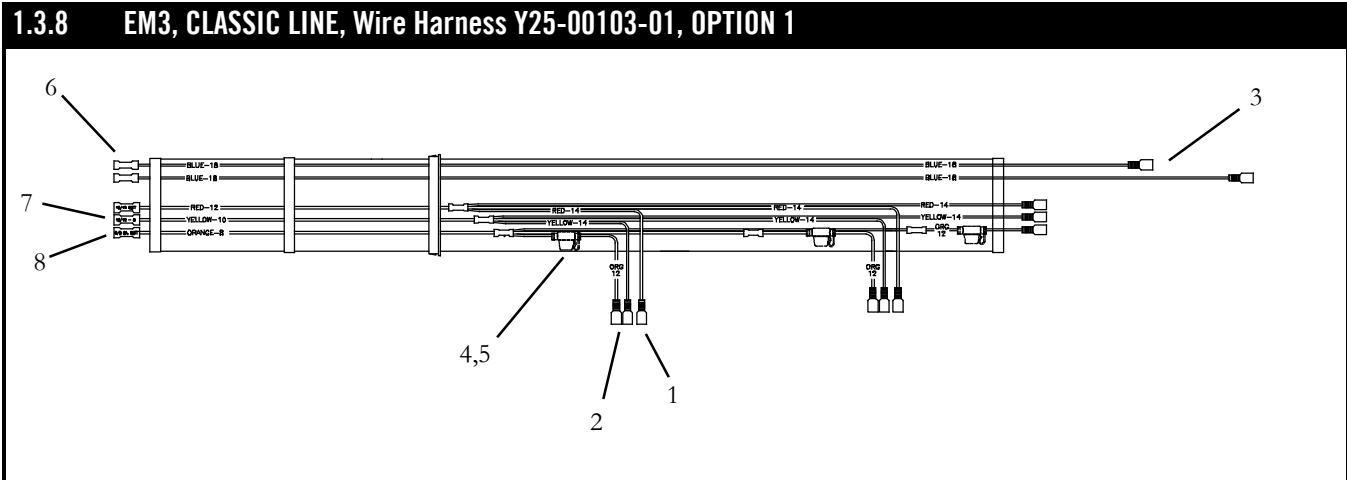


Item	Part Number	Description	Qty
1	79-62073-01	Cover Assembly, Gray, OPTION 1	1
	79-62073-00	Cover Assembly, White, OPTION 2	1
2	AC401-320	Diffuser, Air, Adjustable Rectangular	3
3	AC022-252	Grille, Return Air	1



NOTE

Complete Wire Harnesses are Non-Stock Items. Replacement Components are Listed and can be cross referenced to supplier part number in manual T-375PL.



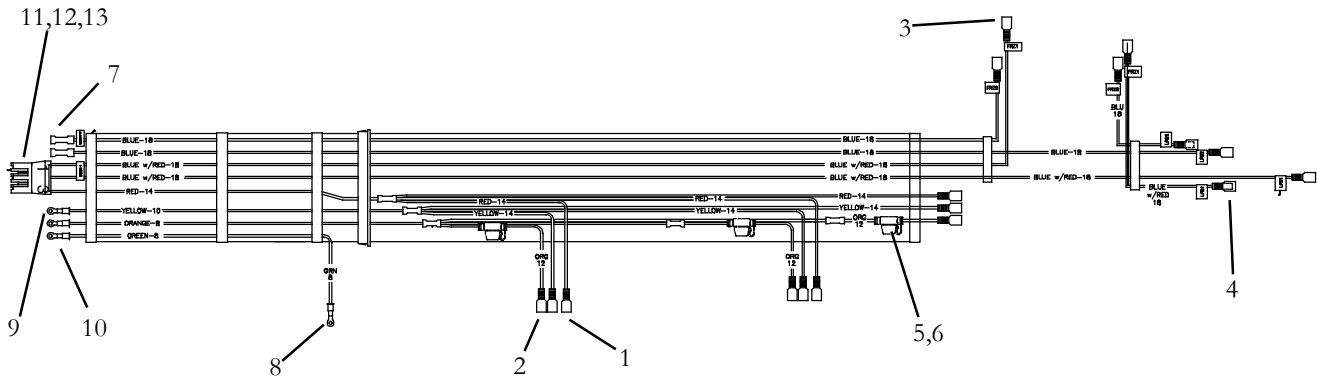
Item	Part Number	Description	Qty
1	22-01141-01	Terminal, Female, 1/4" Pushon, Insulated 16-14 AWG	6
2	22-01142-01	Terminal, Female, 1/4" Pushon, Insulated 10-12 AWG	3
3	22-02245-02	Terminal, Female, 1/4" Pushon, Insulated 22-18 AWG	2
4	22-02338-07	Fuseholder, w/Cap	3
5	22-02336-26	Fuse, Mini, 25A	3
6	REF	Terminal, Butt Splice, Heat Sealable, 22-18 AWG (Molex Part # 19164-0013)	2
7	REF	Terminal, Butt Splice, Heat Sealable, 12-10 AWG (Molex Part # 19164-0056)	1
8	REF	Terminal, Butt Stepdown, Heat Sealable, 12-10/8 AWG (Waytec Part # 38253)	1
N.S.	Y30-13000-00	Nyogel	1



NOTE

Complete Wire Harnesses are Non-Stock Items. Replacement Components are Listed and can be cross referenced to supplier part number in manual T-375PL.

1.3.8 EM3, CLASSIC LINE, Wire Harness Y25-00103-02, OPTION 2



Item	Part Number	Description	Qty
1	22-01141-01	Terminal, Female, 1/4" Pushon, Insulated 16-14 AWG	6
2	31-1247	Terminal, Female, 1/4" Pushon, Insulated 10-12 AWG	3
3	22-02245-02	Terminal, Female, 1/4" Pushon, Insulated 22-18 AWG	6
4	22-01502-00	Terminal, Male, 1/4" Pushon, Insulated 22-18 AWG	2
5	22-02338-07	Fuseholder, w/Cap	3
6	22-02336-26	Fuse, Mini, 25A	3
7	REF	Terminal, Butt Splice, Heat Sealable, 22 -18 AWG (Molex Part # 19164-0013)	2
8	22-00872-02	Terminal, Ring, 1/4"- 8AWG	1
9	22-01140-04	Terminal, Ring, 3/8"- 10 -12AWG	1
10	22-00872-04	Terminal, Ring, 3/8"- 8AWG	2
11	Y31-00007-00	Connector, Molex, 3 Way	1
12	Y31-00007-50	Terminal, Molex, Small, 18 -20AWG	2
13	Y31-00007-51	Terminal, Molex, Large, 14 -16AWG	1
N.S.	Y30-13000-00	Nyogel	1



NOTE

Complete Wire Harnesses are Non-Stock Items. Replacement Components are Listed and can be cross referenced to supplier part number in manual T-375PL.

1.3.8 EM3, CLASSIC LINE, Wire Harness Y25-00103-03, OPTION 3			
Item	Part Number	Description	Qty
1	22-01141-01	Terminal, Female, 1/4" Pushon, Insulated 16-14 AWG	6
2	31-1247	Terminal, Female, 1/4" Pushon, Insulated 10-12 AWG	3
3	22-02245-02	Terminal, Female, 1/4" Pushon, Insulated 22-18 AWG	6
4	22-01502-00	Terminal, Male, 1/4" Pushon, Insulated 22-18 AWG	1
5	22-02338-07	Fuseholder, w/Cap	3
6	22-02336-26	Fuse, Mini, 25A	3
7	REF	Terminal, Butt Splice, Heat Sealable, 22-18 AWG (Molex Part # 19164-0013)	2
8	REF	Terminal, Butt Splice, Heat Sealable, 12-10 AWG (Molex Part # 19164-0056)	1
9	REF	Terminal, Butt Stepdown, Heat Sealable, 12-10/8 AWG (Waytec Part # 38253)	1
10	REF	Terminal, Butt Stepdown, 6/8 AWG	1
11	22-00121-25	Terminal, Ring, #8 - 18AWG	2
N.S.	Y30-13000-00	Nyogel	1



NOTE

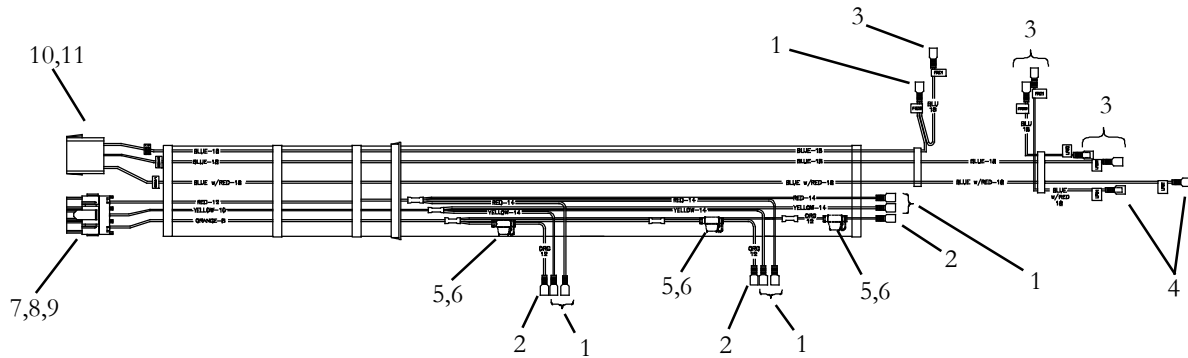
Complete Wire Harnesses are Non-Stock Items. Replacement Components are Listed and can be cross referenced to supplier part number in manual T-375PL.

1.3.8 EM3, CLASSIC LINE, Wire Harness Y25-00103-04, OPTION 4			
Item	Part Number	Description	Qty
1	22-01141-01	Terminal, Female, ¼” Pushon, Insulated 16-14 AWG (AMP# 3-350819-2)	6
2	31-1247	Terminal, Female, ¼” Pushon, Insulated 10-12 AWG (TE# 4-520447-2)	3
3	22-02245-02	Terminal, Female, ¼” Pushon, Insulated 22-18 AWG (AMP# 2-520405-2)	6
4	22-01502-00	Terminal, Male, ¼” Pushon, Insulated 22-18 AWG (AMP# 2-520102-2)	2
5	22-02338-07	Fuseholder, w/Cap (Littlefuse# FHM0002)	3
6	22-02336-26	Fuse, Mini, 25A (Littlefuse# 297025)	3
7	Y31-00007-00	Connector, Female, 3 Way (Molex# 44441-2003)	1
8	Y31-00007-50	Terminal, Female, 18-20 AWG (Molex# 43375-2001)	2
9	Y31-00007-51	Terminal, Female, 14-16 AWG (Molex# 43375-1001)	1
10	22-01140-04	Ring Terminal, 12-10 AWG, 3/8" Stud (AMP# 2-320577-3)	1
11	22-00872-04	Ring Terminal, 8 AWG, 3/8" Stud (AMP# 52291-1)	3
N.S.	Y30-13000-00	Nyogel	1



Complete Wire Harnesses are Non-Stock Items. Replacement Components are Listed and can be cross referenced to supplier part number in manual T-375PL.

1.3.8 EM3, CLASSIC LINE, Wire Harness Y25-00146-00, OPTION 5



Item	Part Number	Description	Qty
1	22-01141-01	Terminal, Female, ¼” Pushon, Insulated 16-14 AWG (AMP# 3-350819-2)	7
2	31-1247	Terminal, Female, ¼” Pushon, Insulated 10-12 AWG (TE# 4-520447-2)	3
3	22-02245-02	Terminal, Female, ¼” Pushon, Insulated 22-18 AWG (AMP# 2-520405-2)	5
4	22-01502-00	Terminal, Male, ¼” Pushon, Insulated 22-18 AWG (AMP# 2-520102-2)	2
5	22-02338-07	Fuseholder, w/Cap (Littlefuse# FHM0002)	3
6	22-02336-26	Fuse, Mini, 25A (Littlefuse# 297025)	3
7	22-50099-31	Connector, Receptacle, 3 Way (Molex# 42816-0312)	1
8	Y31-00044-00	Terminal, Female, 8 AWG (Molex# 42815-0134)	1
9	Y31-00044-01	Terminal, Female, 10-12 AWG (Molex# 42815-0114)	2
10	Y31-00042-00	Connector, Female, 4-Way (TE# 180900-5)	1
11	-	Terminals, Female, 18AWG (TE# 640417-2)	3
N.S.	Y30-13000-00	Nyogel	1

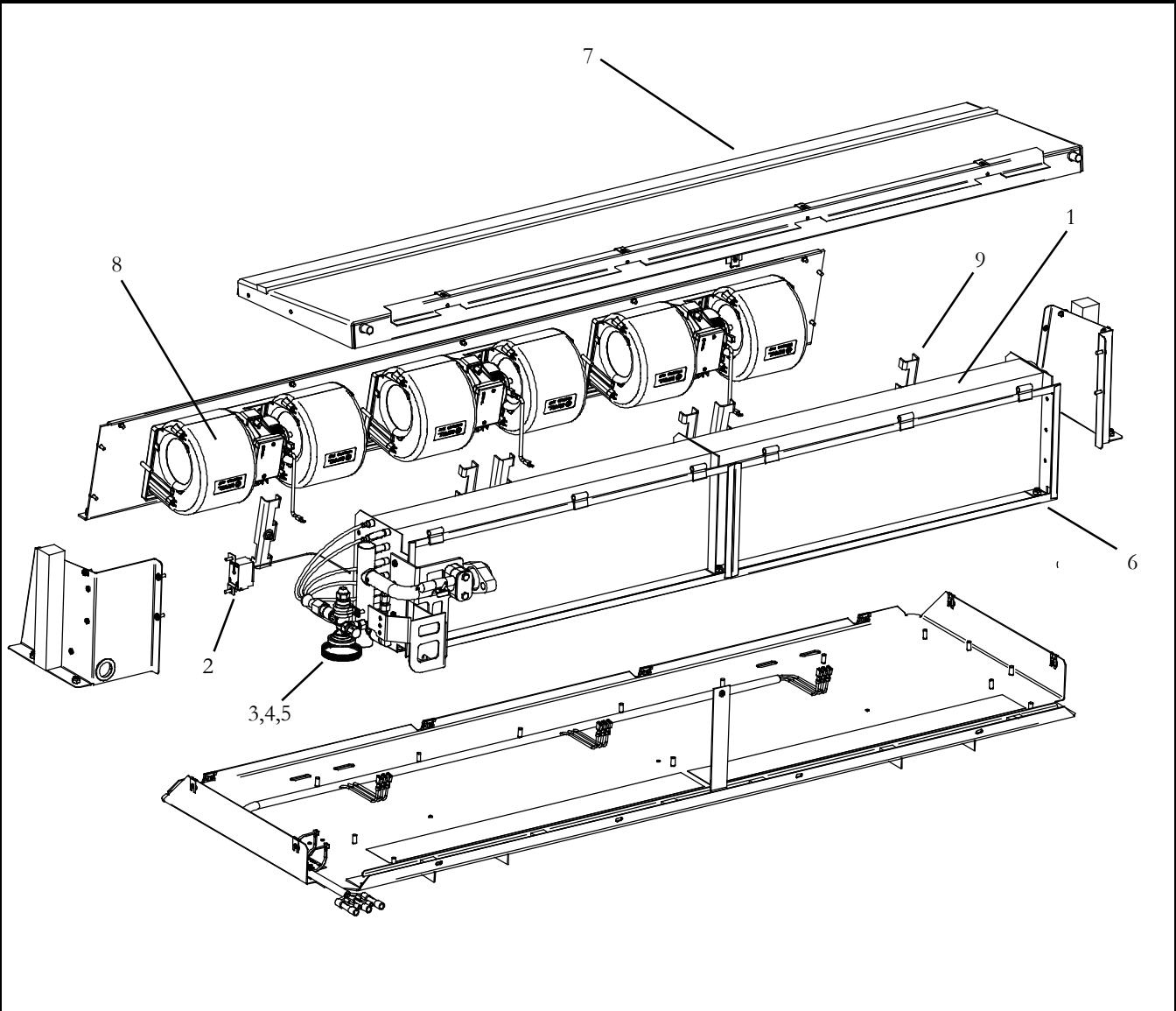


OPTION TABLE - EM3 - CLASSIC LINE-SINGLE LOOP (12V)

MODEL EM3 Y19-EM303	Cover Kit (See Section 1.3.10)	Chassis Kit (See Section 1.3.9)	Wire Harness (See Section 1.3.11)
-00	-	1	1
-01	-	2	1
-21	2	1	1
-22	1	1	1
-23	2	2	1
-24	1	2	1
-40	2	1	1
-41	1	1	1
-42	2	2	1
-43	1	2	1
-58	1	1	1
-59	-	1	1
-60	2	1	2
-61	1	1	2



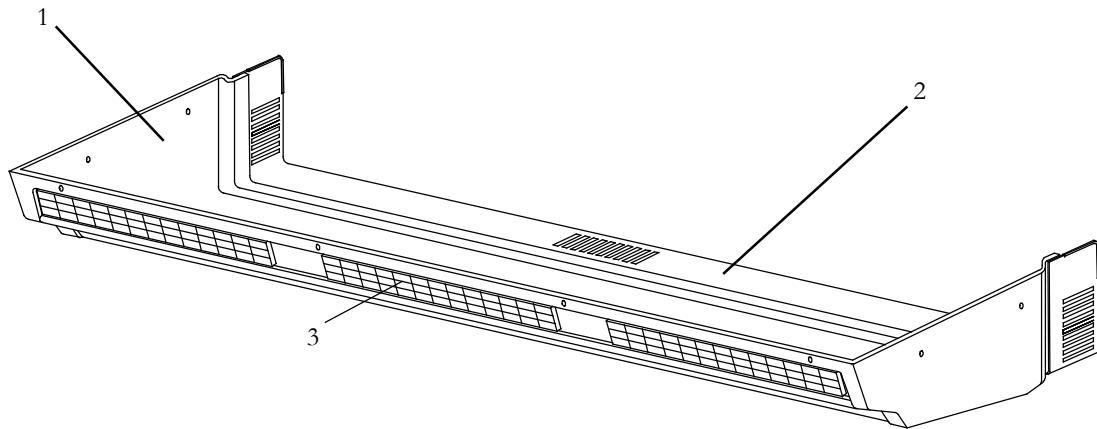
1.3.9 EM-3, CLASSIC LINE, SINGLE LOOP, 12VDC, 3 SPEED CHASSIS KIT



Item	Part Number	Description	Qty
1	Y21-00043-00	Coil Assembly, Evaporator, (Cool Only): Option 1	1
	Y21-00055-00	Coil Assembly, Evaporator, (With Heat): Option 2	1
2	12-00685-00	Thermostat, Freeze-up	1
3	Y26-00103-00	Thermal Expansion Valve (TXV)	1
4	Y34-00038-00	Equalizer Tube, (TXV)	1
5	42-00243-04	O-Ring, 0.489" ID	1
N/S	AC201-412	Pressure Switch, Low	1
6	38-00573-13	Filter, Air	2
7	Y24-00587-00	Drain Pan Assembly	1
8	Y15-00003-00	Blower Assembly, 12 VDC, w/Resistor	3
9	N28-0055	Bracket, Blower	6



1.3.10 EM-3, CLASSIC LINE, SINGLE LOOP, COVER ASSEMBLY, REAR MOUNT : OPTION 1 & 2



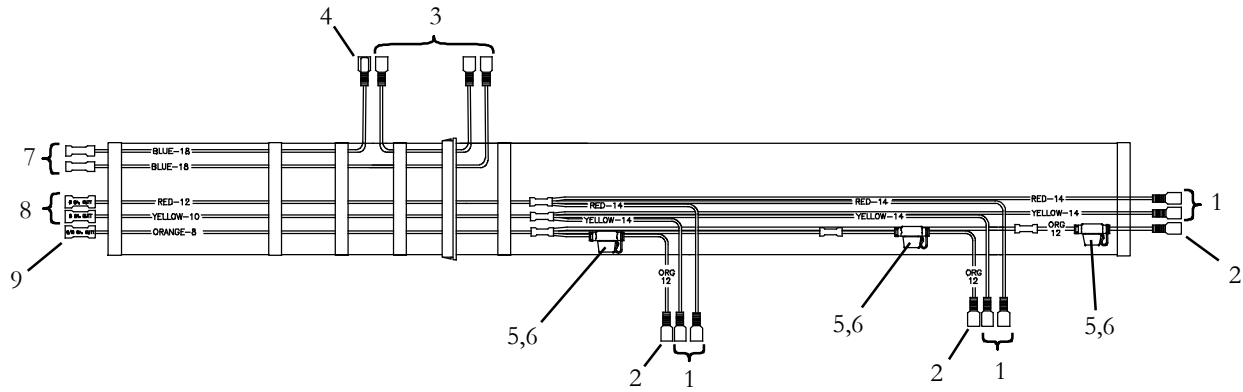
Item	Part Number	Description	Qty
1	79-62073-01	Cover Assembly, Gray, Includes: OPTION 1	1
	79-62073-00	Cover Assembly, White, Includes: OPTION 2	1
2	AC401-320	Diffuser, Air, Adjustable Rectangular	3
3	AC022-252	Grille, Return Air	1



NOTE

Complete Wire Harnesses are Non-Stock Items. Replacement Components are Listed and can be cross referenced to supplier part number in manual T-375PL.

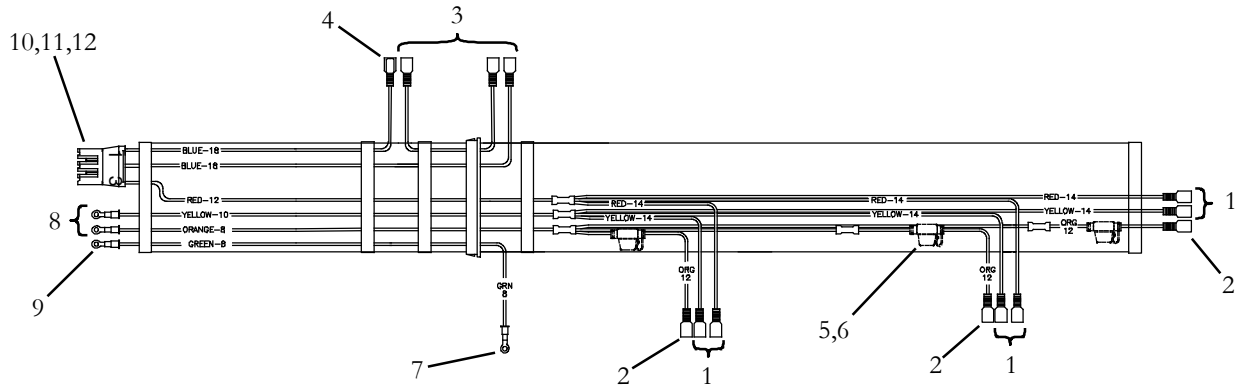
1.3.11 EM3, CLASSIC LINE, SINGLE LOOP WIRE HARNESS Y25-00103-05, OPTION 1



Item	Part Number	Description	Qty
1	22-01141-01	Terminal, Female, 1/4" Pushon, Insulated 16-14 AWG (AMP# 3-350819-2)	6
2	31-1247	Terminal, Female, 1/4" Pushon, Insulated 10-12 AWG (TE# 4-520447-2)	3
3	22-02245-02	Terminal, Female, 1/4" Pushon, Insulated 22-18 AWG (AMP# 2-520405-2)	3
4	22-01502-00	Terminal, Male, 1/4" Pushon, Insulated 22-18 AWG (AMP# 2-520102-2)	1
5	22-02338-07	Fuseholder, w/Cap (Littlefuse# FHM0002)	3
6	22-02336-26	Fuse, Mini, 25A (Littlefuse# 297025)	3
7	Y31-00032-00	Terminal, Butt Splice, Heat Sealable, 22-18 AWG (Molex Part # 19164-0013)	2
8	Y31-00032-03	Terminal, Butt Splice, Heat Sealable, 12-10 AWG (Molex Part # 19164-0056)	1
9	REF	Terminal, Butt Stepdown, 6/8 AWG	1
N.S.	Y30-13000-00	Nyogel	1



1.3.11 EM3, CLASSIC LINE, Single Loop Wire Harness Y25-00103-09, OPTION 2

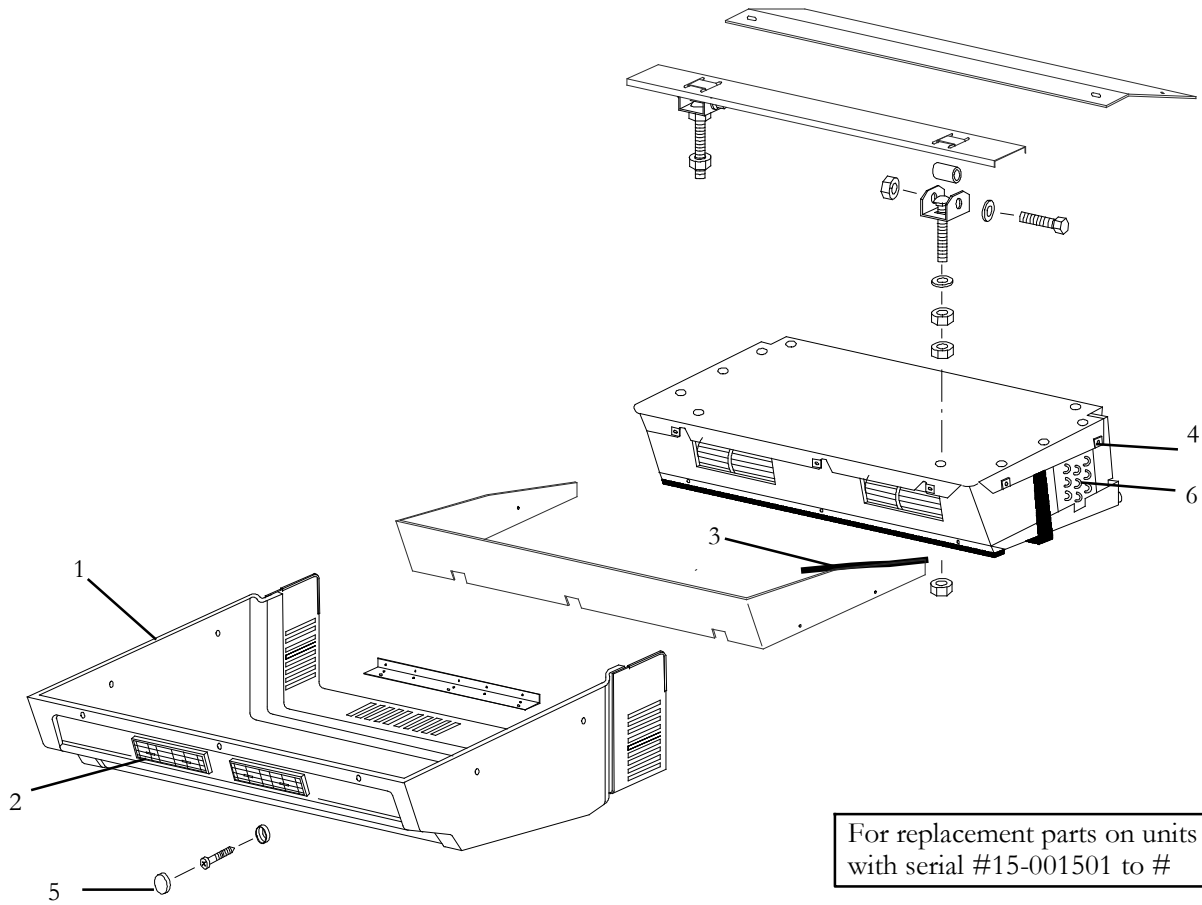


Item	Part Number	Description	Qty
1	22-01141-01	Terminal, Female, 1/4" Pushon, Insulated 16-14 AWG (AMP# 3-350819-2)	6
2	31-1247	Terminal, Female, 1/4" Pushon, Insulated 10-12 AWG (TE# 4-520447-2)	3
3	22-02245-02	Terminal, Female, 1/4" Pushon, Insulated 22-18 AWG (AMP# 2-520405-2)	3
4	22-01502-00	Terminal, Male, 1/4" Pushon, Insulated 22-18 AWG (AMP# 2-520102-2)	1
5	22-02338-07	Fuseholder, w/Cap (Littlefuse# FHM0002)	3
6	22-02336-26	Fuse, Mini, 25A (Littlefuse# 297025)	3
7	22-00872-00	Terminal, Ring, #8 - 8AWG (Hoffman# FM8-S4)	1
8	22-01140-04	Terminal, Ring, 3/8" - 10 -12AWG (AMP# 2-320577-3)	1
9	22-00872-04	Terminal, Ring, 3/8" - 8AWG (AMP# 52291-1)	2
10	Y31-00007-00	Connector, Molex, 3 Way (Molex Part# 44441-2003)	1
11	Y31-00007-50	Terminal, Molex, Small, 18 -20AWG (Molex Part# 43375-2001)	2
12	Y31-00007-51	Terminal, Molex, Large, 14 -16AWG (Molex Part# 43375-1001)	1
N.S.	Y30-13000-00	Nyogel	1



SECTION 1.4 EM-6 EVAPORATORS

1.4.1 EVAPORATOR, EM-6, GEN 4, SIDE MOUNT, FREE BLOW

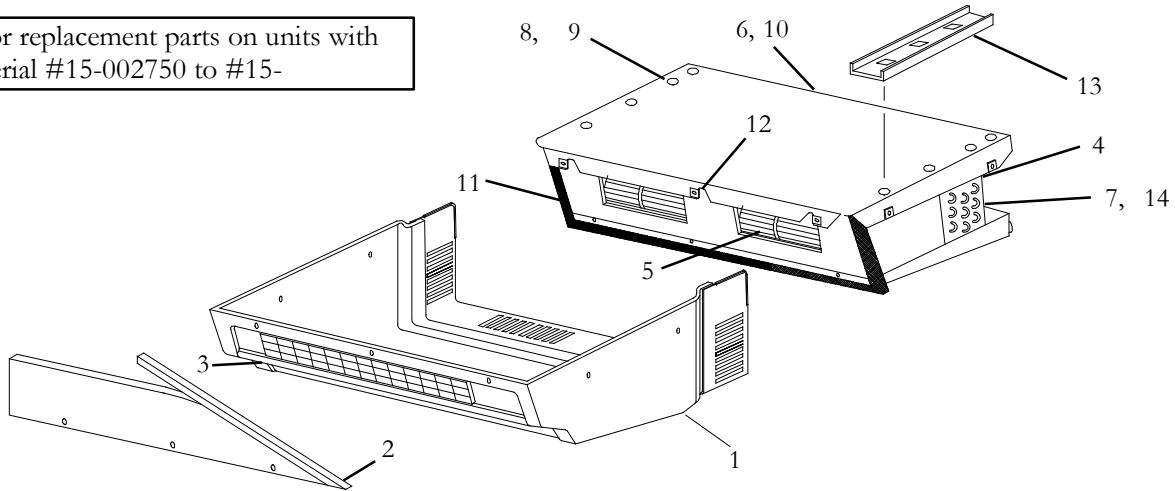


Item	Part Number	Description	Qty
1	N/A	Cover Assembly, White	1
	79-62076-01	Cover Assembly, Gray	1
2	AC401-308	Assembly, Louver (7.0 X 3.0 Inches)	2
3	AC801-412F25	Trim, Flexible, Black (25 Ft. Roll)	1
4	AC701-123	Clip, Tinnerman, High Torque, #10AB	10
5	AC801-531	Cap, Snap, White	7
	AC801-532	Cap, Snap, Gray	7
6	N/A	Coil Assembly, 3 Row, W/O Heat (Includes TXV)	1



1.4.2 EVAPORATOR, EM-6, GEN 4, FREE BLOW

For replacement parts on units with serial #15-002750 to #15-



Item	Part Number	Description	Qty
1	79-62074-00	Cover Assembly, White	1
	79-62074-01	Cover Assembly, Gray	1
2	AC801-412F25	Flexible Trim, Black (25 Ft. Roll)	1
3	AC401-320	Assembly, Louver, Air Outlet, (14-3/8 X 3-3/8 Inch)	1
4	AC801-462	Filter, Return Air (1/4 X 8.0 X 19.0 Inch)	1
5	54-00588-00	Assembly, Blower, Dual, 12 VDC	1
	AC401-233	Assembly, Blower, Dual, 24 VDC	1
6	76-62019-00	Resistor Kit, (1.8 Ohm, 4 Prong)	1
7	08-62061-00	Assembly, Coil, With Low Pressure Switch Connection	1
	08-62062-00	Assembly, Coil, With Heat, Coil, With Low Pressure Switch Connection	1
8	14-00397-00	Valve, Thermal Expansion	1
9	AC801-202	O-Ring, 1/2 Inch	2
10	AC201-501	Thermostat, Freeze-Up, Coil Insert	1
NS	AC801-403	Gasket, Foam (1-1/4 X 1-1/4 inch X 25 Foot Roll)	A/R
11	AC801-414	Gasket, Foam, Soft (3/8 X 1 inch X 25 Foot Roll)	A/R
12	AC701-123	Clip, Tinnerman, High-Torque (#10AB)	11
13	AC020-009	Channel, Mounting	2
14	AC201-412	Switch, Low Pressure	1



OPTION TABLE - EM6 - CLASSIC LINE (12V)

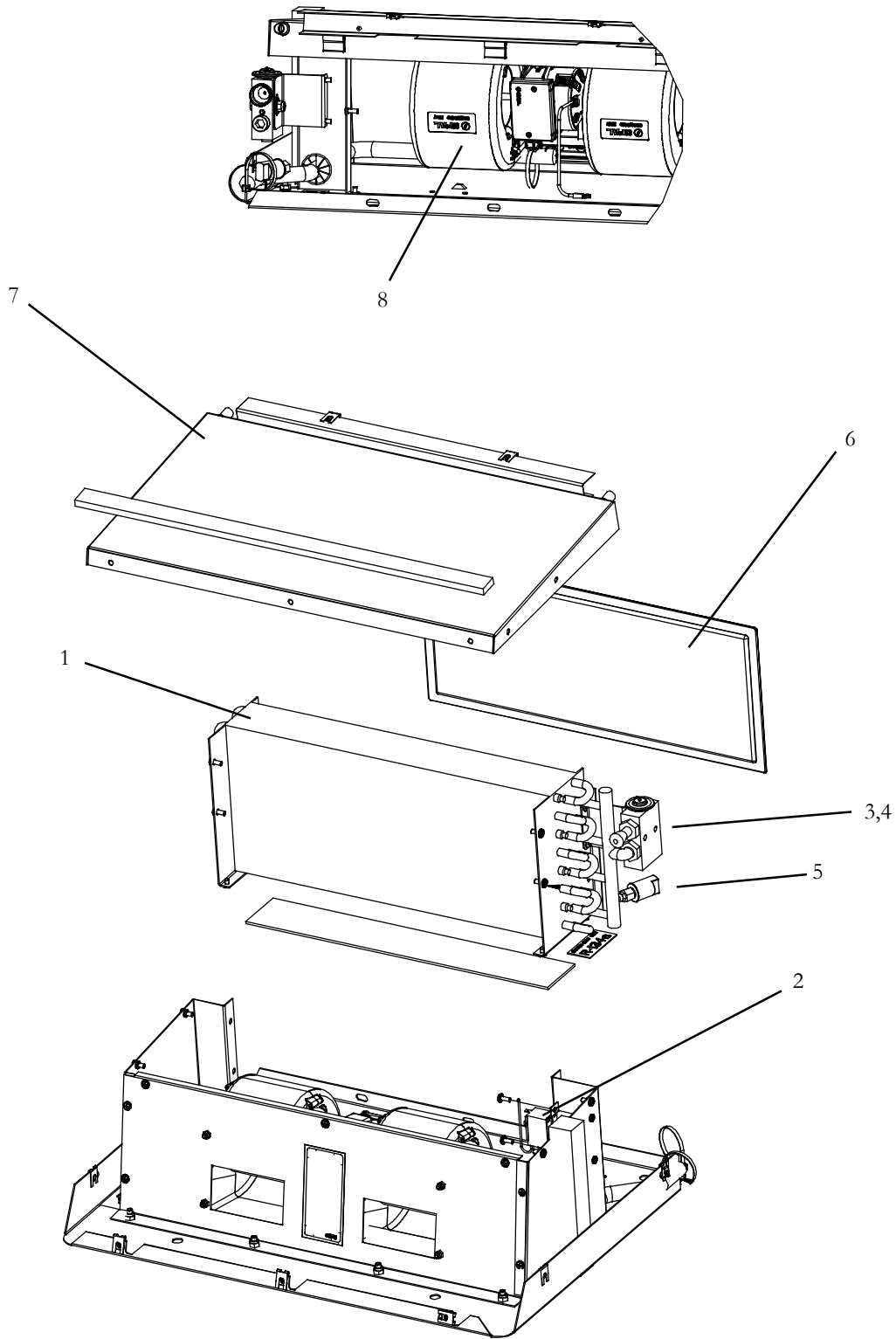
MODEL EM6 Y19-EM607	Cover Kit (See Section 1.4.4)	Chassis Kit (See Section 1.4.3)	Wire Harness (See Section 1.4.5)
-00	-	1	1
-01	-	2	1
-21	2	1	1
-22	1	1	1
-23	2	2	1
-24	1	2	1
-30	2	1	1
-31	1	1	1
-32	2	2	1
-33	1	2	1
-61	4	1	1
-62	3	1	1
-63	4	2	1
-64	3	2	1
-80	2	2	2
-82	1	2	2

OPTION TABLE - EM6 - CLASSIC LINE (24V)

MODEL EM6 Y19-EM606	Cover Kit (See Section 1.4.4)	Chassis Kit (See Section 1.4.3)	Wire Harness (See Section 1.4.5)
-00	-	1	1
-01	-	2	1
-21	2	1	1
-22	1	1	1
-23	2	2	1
-24	1	2	1
-41	2	1	1
-42	1	1	1
-43	2	2	1
-44	1	2	1



1.4.3 EM-6, CLASSIC LINE, 12 & 24VDC, 3 SPEED CHASSIS KITS, OPTION 1 & 2

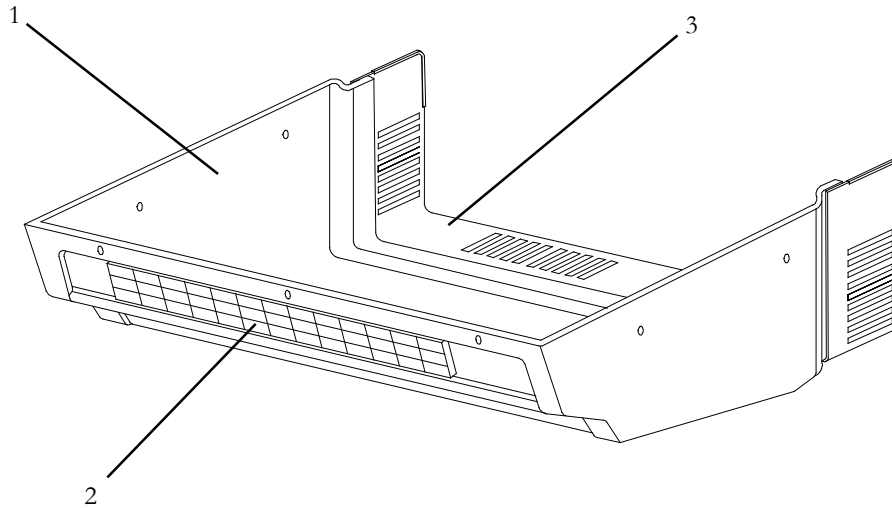




1.4.3 EM-6, CLASSIC LINE, 12 & 24VDC, 3 SPEED CHASSIS KITS , OPTION 1 & 2, Cont.			
Item	Part Number	Description	Qty
1	08-62061-00	Coil Assembly, Evaporator, (Cool Only), OPTION 1	1
	08-62062-00	Coil Assembly, Evaporator, (With Heat), OPTION 2	1
2	12-00685-00	Thermostat, Freeze-up	1
3	14-00397-00	Thermal Expansion Valve (TXV)	1
4	AC801-202	O-Rings, 1/2" HN BR	2
5	AC201-412	Pressure Switch, Low	1
6	AC801-462	Filter, Air	1
7	79-62128-00	Drain Pan Assembly	1
8	Y15-00003-00	Blower Assembly, 12VDC, w/Resistor	1
	Y15-00003-01	Blower Assembly, 24VDC, w/Resistor	1

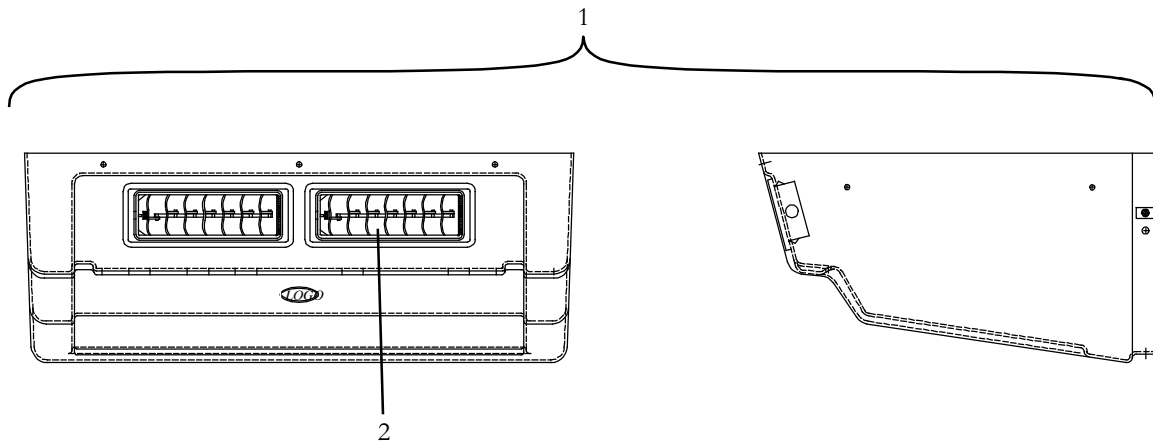


1.4.4 EM-6, CLASSIC LINE, COVER ASSEMBLY, REAR MOUNT : OPTION 1 & 2



Item	Part Number	Description	Qty
1	79-62074-01	Cover Assembly, Gray, Includes: OPTION 1	1
	79-62074-00	Cover Assembly, White, Includes: OPTION 2	1
2	AC401-320	Diffuser, Air, Adjustable Rectangular	1
3	AC022-253	Grille, Return Air	1

1.4.4 EM-6, CLASSIC LINE, COVER ASSEMBLY, SIDE MOUNT : OPTION 3 & 4



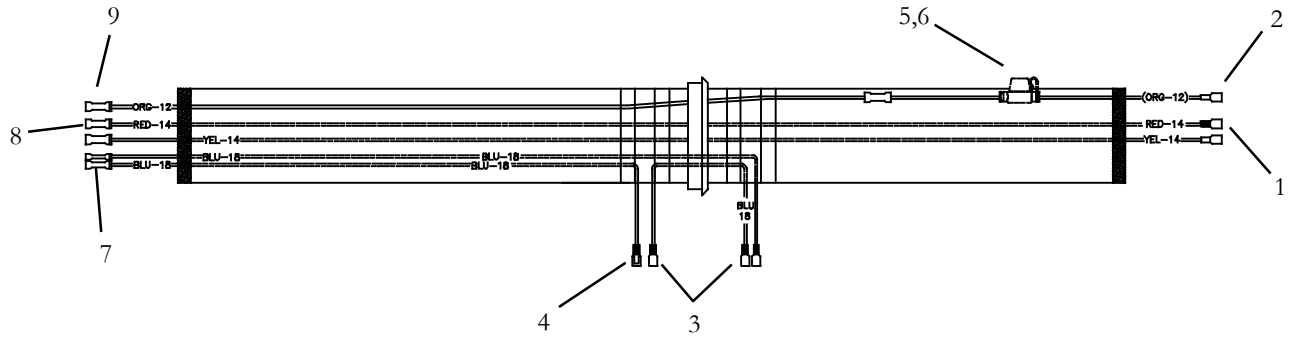
Item	Part Number	Description	Qty
1	79-62076-01	Cover Assembly, Gray, Includes: OPTION 3	1
	79-62076-00	Cover Assembly, White, Includes: OPTION 4	1
2	58-62042-00	Diffuser, Air, Adjustable Rectangular	2
NS	022-295	Grille, Return Air	1



NOTE

Complete Wire Harnesses are Non-Stock Items. Replacement Components are Listed and can be cross referenced to supplier part number in manual T-375PL.

1.4.5 EM6 CLASSIC LINE, WIRE HARNESS Y25-00102-01, OPTION 1



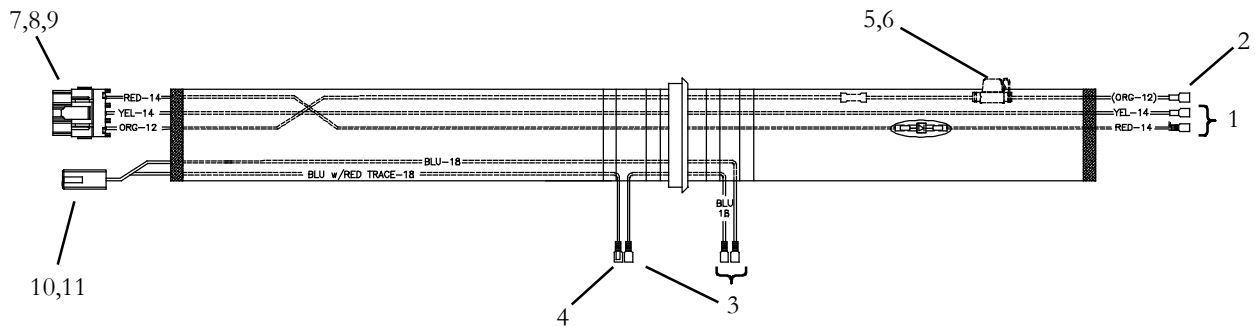
Item	Part Number	Description	Qty
1	22-01141-01	Terminal, Female, 1/4" Pushon, Insulated 16-14 AWG (AMP# 3-350819-2)	2
2	22-01142-01	Terminal, Female, 1/4" Pushon, Insulated 10-12 AWG (AMP# 4-520447-2)	1
3	22-02245-02	Terminal, Female, 1/4" Pushon, Insulated 22-18 AWG (AMP# 2-520405-2)	3
4	22-01502-00	Terminal, Male, 1/4" Pushon, Insulated 22-18 AWG (AMP# 2-520102-2)	1
5	22-02338-07	Fuseholder, w/Cap (Littlefuse# FHM0002)	1
6	22-02336-26	Fuse, Mini, 25A (Littlefuse# 297025)	1
7	REF	Terminal, Butt Splice, Heat Sealable, 22-18 AWG (Molex Part # 19164-0013)	2
8	REF	Terminal, Butt Stepdown, Heat Sealable, 16-14/12-10 AWG (Molex Part # 19164-0077)	2
9	REF	Terminal, Butt Stepdown, Heat Sealable, 12-10/8 AWG (Waytec Part # 38253)	1
N.S.	Y30-13000-00	Nyogel	1



NOTE

Complete Wire Harnesses are Non-Stock Items. Replacement Components are Listed and can be cross referenced to supplier part number in manual T-375PL.

1.4.5 EM6 CLASSIC LINE, WIRE HARNESS Y25-00102-03, OPTION 2



Item	Part Number	Description	Qty
1	22-01141-01	Terminal, Female, ¼” Pushon, Insulated 16-14 AWG (AMP# 3-350819-2)	2
2	31-1247	Terminal, Female, ¼” Pushon, Insulated 10-12 AWG (TE# 4-520447-2)	1
3	22-02245-02	Terminal, Female, ¼” Pushon, Insulated 22-18 AWG (AMP# 2-520405-2)	3
4	22-01502-00	Terminal, Male, ¼” Pushon, Insulated 22-18 AWG (AMP# 2-520102-2)	1
5	22-02338-07	Fuseholder, w/Cap (Littlefuse# FHM0002)	2
6	22-02336-26	Fuse, Mini, 25A (Littlefuse# 297025)	2
7	22-50099-31	Connector, Receptacle, 3 Way (Molex# 42816-0312)	1
8	Y31-00044-02	Terminal, Female, 8 AWG (Molex# 42815-0144)	2
9	Y31-00044-01	Terminal, Female, 10-12 AWG (Molex# 42815-0114)	1
10	Y31-00043-04	Connector, Receptacle, 2 Way (TE# 180907-5)	1
11	-	Terminal, Female, 18 AWG (TE# 640417-2)	2
N.S.	Y30-13000-00	Nyogel	1



SECTION 1.5 EM-7 EVAPORATORS

**OPTION TABLE - EM7 - GEN V,
12 VDC - 3 Speed**

MODEL EM7 Gen V 77-62572	Cover Kit (see Section 1.5.2)	Chassis Kit (see Section 1.5.1)	Wire Harness (see Section 1.5.3)
-00	-	1	1
-01	-	1	1 & 2
-02	-	1	1 & 2
-05	-	1	1 & 4
-06	-	1	1 & 5
-07	-	1	1 & 5
-21	1	1	1 & 2
-22	1	1	1 & 2
-23	2	1	1 & 2
-24	2	1	1 & 2
-25	2	1	1 & 2
-31	1	1	1 & 2
-32	1	1	1 & 2
-41	1	1	1 & 2
-42	1	1	1 & 2
-44	1	1	1 & 2
-45	1	1	1 & 2
-47	1	1	1 & 2
-51	2	1	1 & 2
-52	2	1	1 & 2
-61	2	1	1 & 2
-62	2	1	1 & 2
-63	2	1	5
-64	2	1	5
-80	1	1	1 & 4
-81	1	1	1 & 4
-82	1	1	1 & 4
-83	1	1	1 & 4
-85	1	1	1 & 2
-90	2	1	1 & 3
-91	2	1	1 & 3
-95	1	1	1 & 2
-96	1	1	1 & 2

**OPTION TABLE - EM7 - GEN V
12 VDC - Variable Speed**

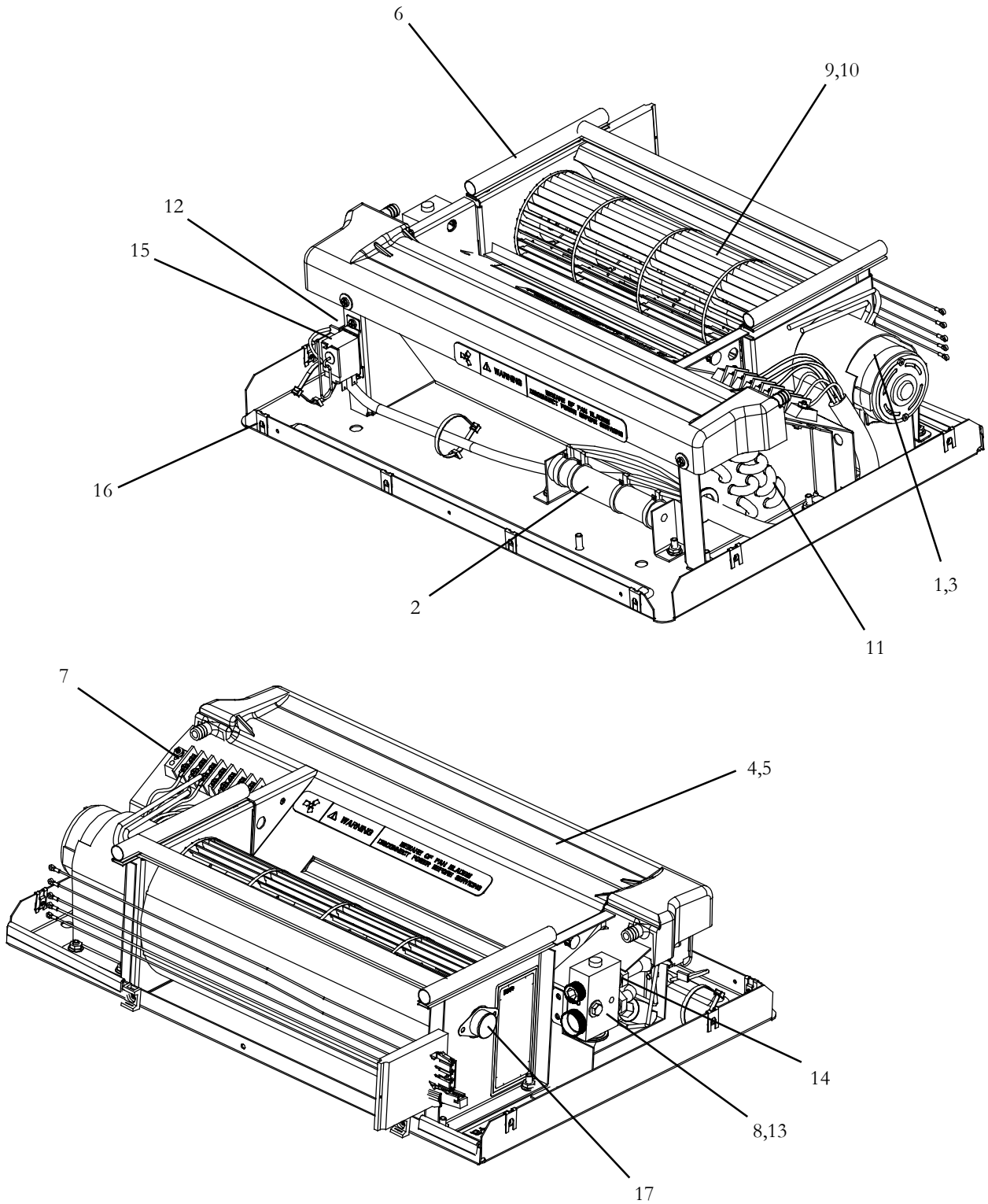
MODEL EM7 Gen V 77-62712	Cover Kit (see Section 1.5.2)	Chassis Kit (see Section 1.5.1)	Wire Harness (see Section 1.5.3)
-00	-	1	6
-21	1	1	6
-22	1	1	6
-31	1	1	6
-32	1	1	6
-41	1	1	6
-42	1	1	6
-44	1	1	6
-45	1	1	6
-51	2	1	6
-52	2	1	6
-61	2	1	6
-62	2	1	6
-80	1	1	6 & 7
-82	1	1	6 & 7

**OPTION TABLE - EM7 - GEN V
24 VDC - Variable Speed**

MODEL EM7 Gen V 77-62724	Cover Kit (see Section 1.5.2)	Chassis Kit (see Section 1.5.1)	Wire Harness (see Section 1.5.3)
-00	-	1	6
-41	1	1	6
-42	1	1	6
-61	2	1	6
-62	2	1	6



1.5.1 EVAPORATOR, EM-7, GEN V, CHASSIS KIT (Common Parts): OPTION 1

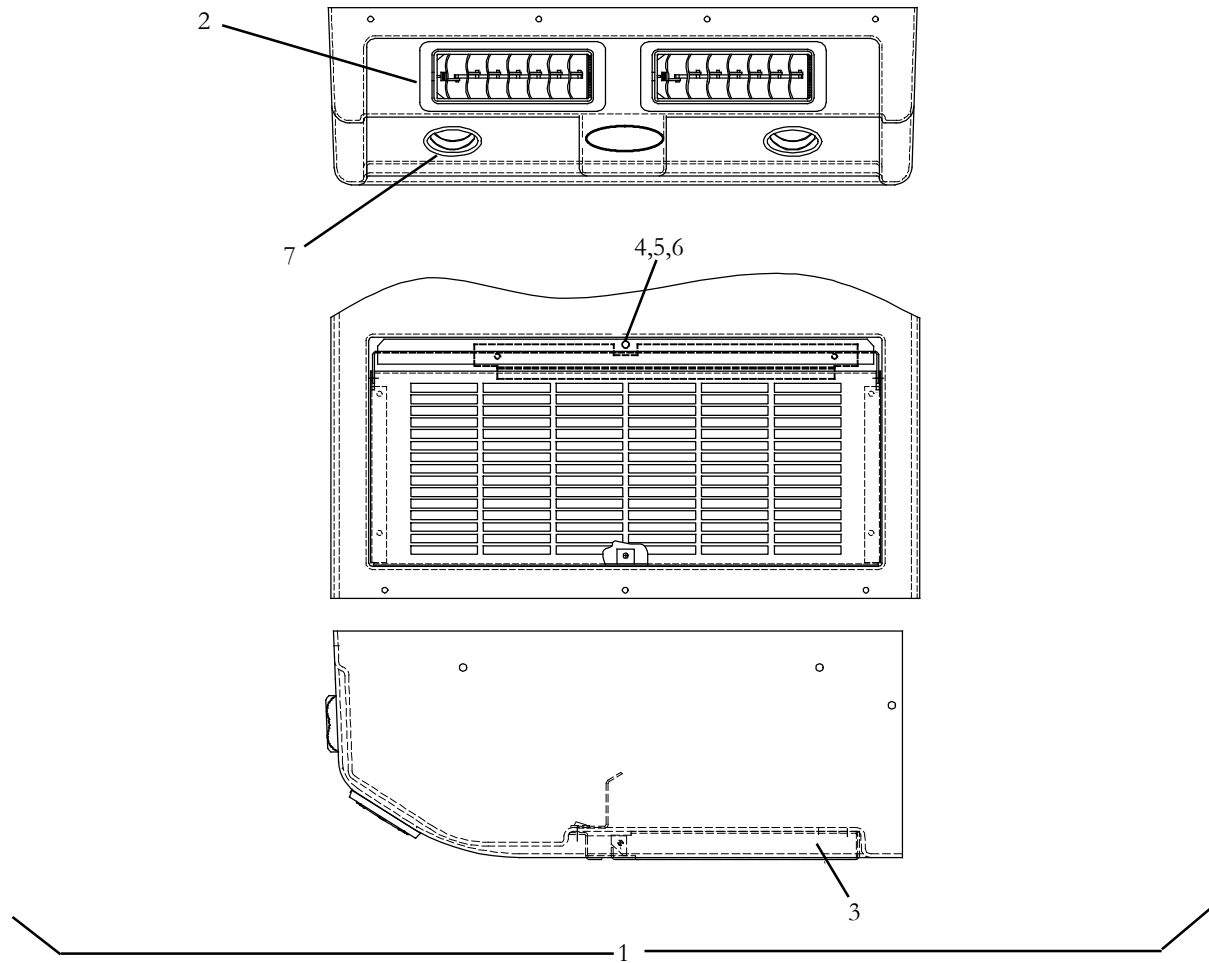




1.5.1 EVAPORATOR, EM-7, GEN V, CHASSIS KIT (Common Parts): OPTION 1 (Continued)			
Item	Part Number	Description	Qty
1	Y45-00005-52	Motor Evaporator, 12 VDC, GEN-V (3 Speed Application ONLY)	1
	-	Fuse, 25A, 12 VDC, GEN-V	NSI
	Y45-00005-55	Motor Evaporator, 24 VDC, GEN-V	1
	22-02336-24	Fuse, 15A, 24 VDC, GEN-V	1
2	22-62169-00	Resistor, 220 W, .820 Ohm (3 Speed Application ONLY)	1
3	42-62052-00	Gasket, Motor	1
4	79-62106-02	Drain Pan Assembly, Includes:	1
5	42-62140-02Baffle, Drain Pan, Foam	1
6	58-62064-00F25	Trim Seal, 1/8 Inch Grip, (25 Foot Roll)	A/R
7	22-62141-01	Terminal Block, 7 Position, (30 Amp)	1
8	AC701-101	Clip, Tinnerman, high Torque, (1/4-20)	1
9	38-00564-52	Blower Wheel (Length: 14.61 Inches - 371.1 mm) Includes:	1
10	34-00482-05	Set Screw, Cup Point, 1/4-28, SS	1
11	08-01068-02	Coil, Evaporator	1
12	AC201-412	Switch, Pressure, Low, Female	1
13	14-00397-00	Valve, Thermal Expansion, R134a	1
N.S.	42-00032-00	Tape, Insulation, Pressite, 2.00 Inch X 30 Feet Long	1
14	AC801-202	O-Ring, HNBR, (1/2 Inch)	2
15	12-00685-00	Thermostat, Freeze, Non-Adjustable	1
16	AC701-123	Clip, Tinnerman, High Torque, (#10AB)	8
17	76-62257-00	Blower Housing & Boot Repair Kit - Includes:	1



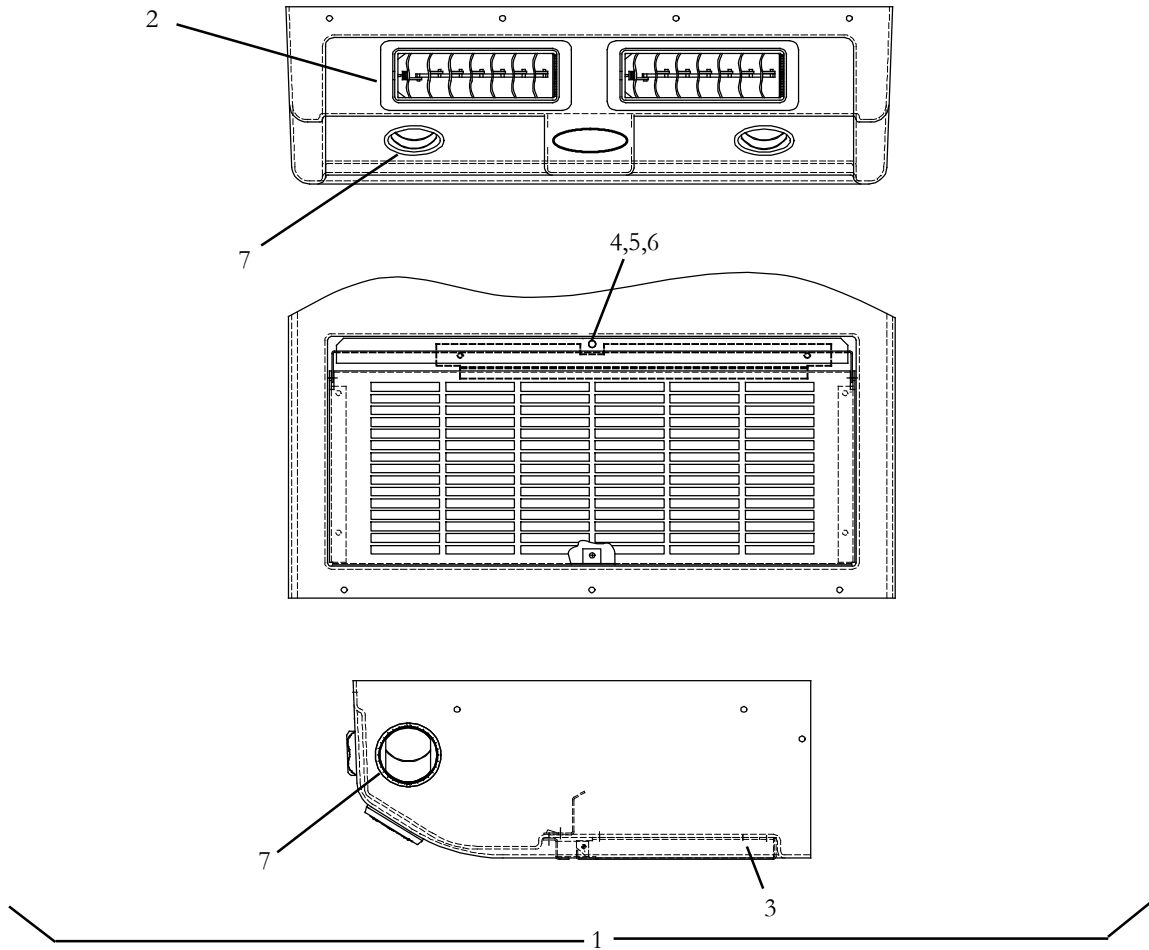
1.5.2 COVER ASSEMBLY, EM-7, GEN-V, REAR MOUNT : OPTION 1



Item	Part Number	Description	Qty
1	79-62046-01	Cover Assembly, EM-7, Complete, Rear Mount, White - Includes:	1
	79-62046-02	Cover Assembly, EM-7, Complete, Rear Mount, Gray - Includes:	1
2	58-62042-00Louver, Rectangle (8.0 X 3.0 Inches)	2
3	38-00573-03Filter, Air, EM-7, GenV (20.65 X 9 Inches)	1
4	34-62019-00Receptacle, 1/4 Turn	1
5	34-62020-00Stud, 1/4 Turn, .25 Grip Range	1
6	34-06169-01Washer, Retaining, .215 I. D.	1
7	58-62077-00Louver, Adjustable, 3.00 Inch (Round)	2



1.5.2 COVER ASSEMBLY, EM-7, GEN-V, SIDE MOUNT : OPTION 2

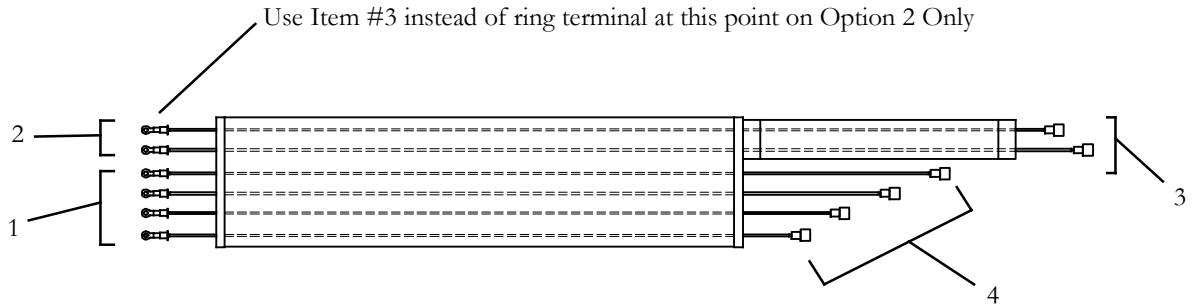


Item	Part Number	Description	Qty
1	79-62047-01	Cover Assembly, EM-7, Complete, Side Mount, White - Includes:	1
	79-62047-02	Cover Assembly, EM-7, Complete, Side Mount, Gray - Includes:	1
2	58-62042-00Louver, Rectangle (8.0 X 3.0 Inches)	2
3	38-00573-03Filter, Air, EM-7, GenV (20.65 X 9 Inches)	1
4	34-62019-00Receptacle, 1/4 Turn	1
5	34-62020-00Stud, 1/4 Turn, .25 Grip Range	1
6	34-06169-01Washer, Retaining, .215 I. D.	1
7	58-62077-00Louver, Adjustable, 3.00 Inch (Round)	4



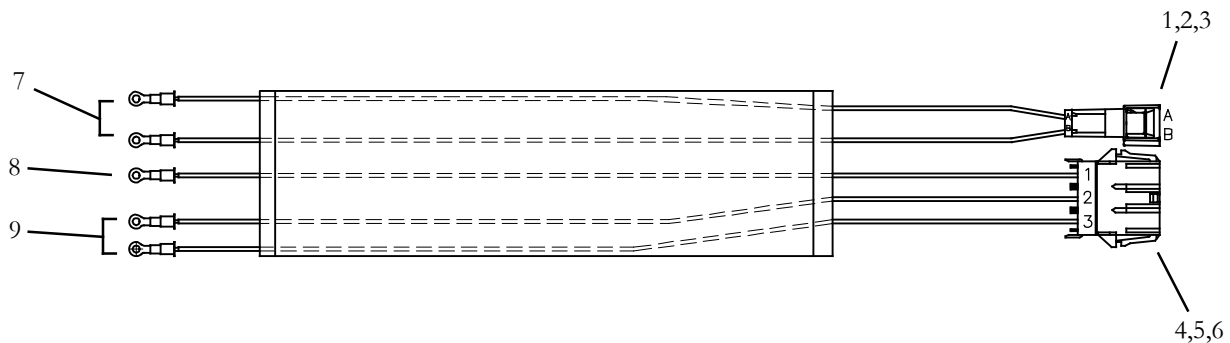
NOTE: Complete Wire Harnesses are Non-Stock Items. Replacement Components are Listed and can be cross referenced to supplier part number in manual T-375PL.

1.5.3 EM7 GEN-V, Wire Harness 22-62168-00 & -01: OPTION 1 & OPTION 5



Item	Part Number	Description	Qty
1	22-00119-03	Terminal Ring #10, 12/10 AWG (AMP# 2-34170-1)	4
2	22-00121-27	Terminal Ring #10, 22/18 AWG (AMP# 2-34149-1)	2
3	22-02245-02	Terminal, Female, Insulated Faston Straight 1/4", 22/18 AWG (AMP# 2-520405-2)	2/3
4	31-1247	Terminal, Female, Insulated Faston Straight 1/4", 12/10 AWG (TE# 4-520447-2)	4

1.5.3 EM7 GEN-V, Wire Harness 22-62286-00: OPTION 2

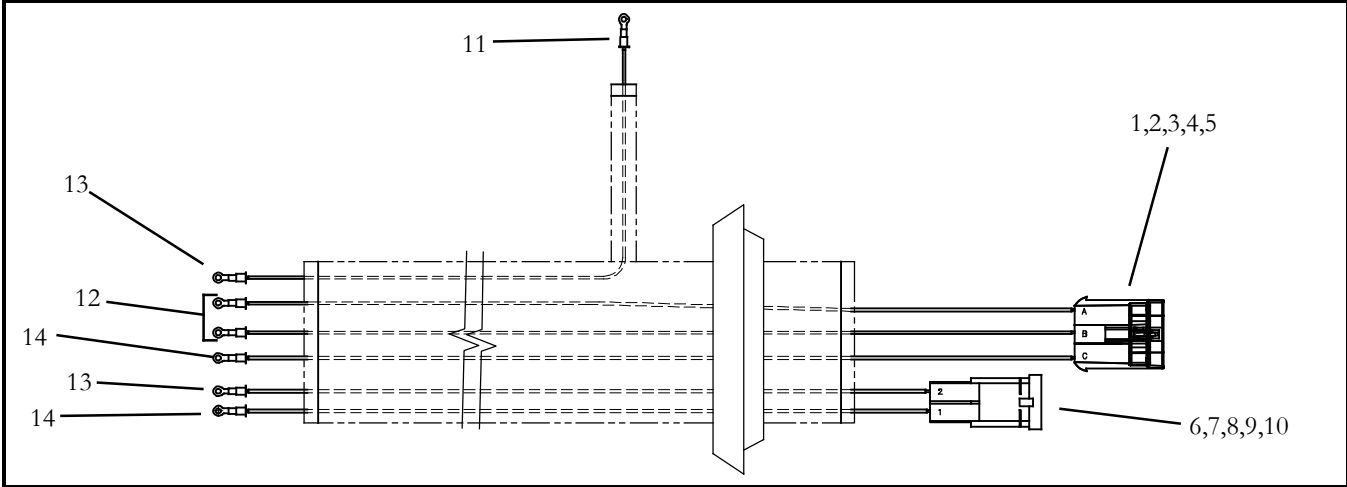


Item	Part Number	Description	Qty
1	22-50099-37	Connector, Male, 2 Way, MP 280 Series, Unsealed (Delphi# 12129155)	1
2	22-50099-37A	Terminal, Male, 16/18 AWG (Delphi# 12034047)	2
3	22-50099-37D	Lock, Secondary (Delphi# 12129157)	1
4	22-50099-32	Connector, Plug Housing, 3 Way, (Molex# 42818-0312)	1
5	22-50099-32A	Terminal, Male, 10/12 AWG (Molex# 42817-0011)	2
6	22-50099-32B	Terminal, Male, 8 AWG (Molex# 42817-0031)	1
7	22-00121-27	Terminal Ring #10, 22/18 AWG (AMP# 2-34149-1)	2
8	22-00119-03	Terminal Ring #10, 12/10 AWG (AMP# 2-34170-1)	2
9	22-00872-01	Terminal Ring #10, 8 AWG (AMP# 52263-1)	1



NOTE: Complete Wire Harnesses are Non-Stock Items. Replacement Components are Listed and can be cross referenced to supplier part number in manual T-375PL.

1.5.3 EM7 GEN-V, Wire Harnesses 22-62247-00: OPTION 3

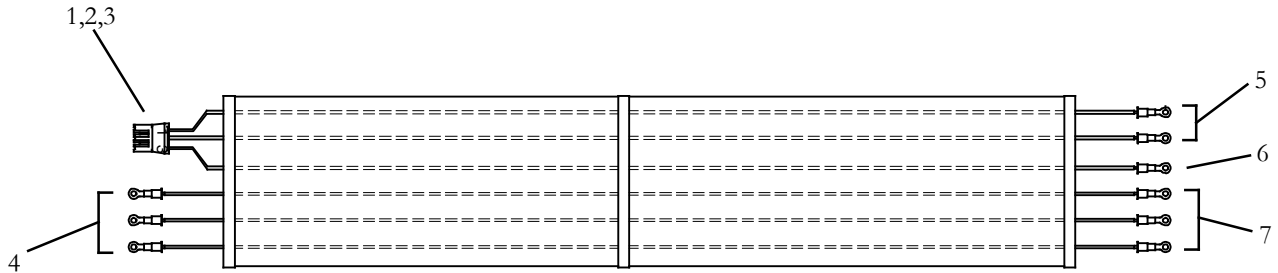


Item	Part Number	Description	Qty
1	22-50078-86	Connector, Male, M/P 630, 3 Way (Delphi# 12124686)	1
2	22-50078-49A	Terminal, Male, 18 AWG (Delphi# 12064734)	2
3	22-50078-49C	Terminal, Male, 12 AWG (Delphi# 12064737)	1
4	22-50078-86B	Cable Seal (Delphi# 15324995)	3
5	22-50078-86A	Lock, Secondary (Delphi# 12045699)	1
6	22-50098-67	Connector, Male, 2 Way (Tyco# 1544334-1)	1
7	22-50098-67B	Terminal, Male, 8 AWG (Tyco# 1544333-1)	1
8	22-50098-67A	Terminal, Male, 10/12 AWG (Tyco# 1544332-1)	1
9	22-50098-67C	Cable Seal, 10/12 AWG (Tyco# 1544316-1)	1
10	22-50098-67D	Cable Seal, 8 AWG (Tyco# 1544316-2)	1
11	22-00872-03	Terminal, Ring 5/16", 8 AWG (AMP# 52291)	2
12	22-00121-27	Terminal, Ring, #10 - 18 AWG (AMP# 2-34149-1)	2
13	22-00872-01	Terminal, Ring, #10 - 8 AWG (AMP# 52263-1)	2
14	22-00119-03	Terminal, Ring, #10 - 12/10 AWG (AMP# 2-34170-1)	2



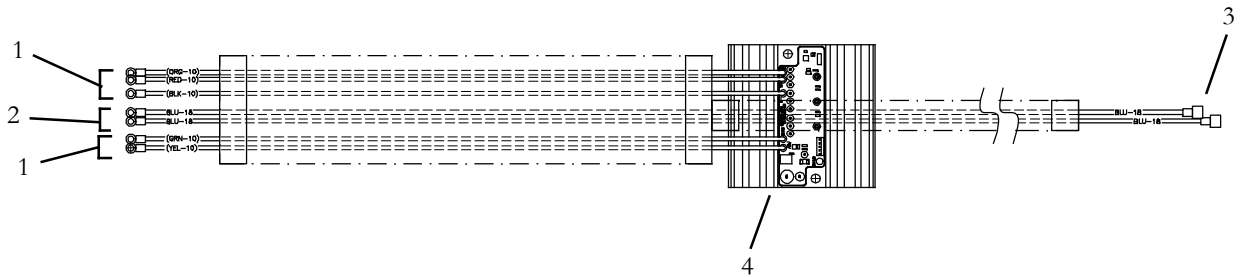
NOTE: Complete Wire Harnesses are Non-Stock Items. Replacement Components are Listed and can be cross referenced to supplier part number in manual T-375PL.

1.5.3 EM7 GEN-V, Wire Harness 22-62261-00: OPTION 4



Item	Part Number	Description	Qty
1	Y31-00007-00	Connector, Female, 3 Way (Molex# 44441-2003)	1
2	Y31-00007-50	Terminal, Female, 18-20 AWG (Molex# 43375-2001)	2
3	Y31-00007-51	Terminal, Female, 14-16 AWG (Molex# 43375-1001)	1
4	22-01140-04	Terminal, Ring, 3/8", 12/10 AWG (AMP# 2-320577-3)	3
5	22-00121-27	Terminal, Ring, #10 - 18 AWG (AMP# 2-34149-1)	2
6	22-01139-02	Terminal, Ring, #10 - 14/16 AWG (AMP# 51864-2)	1
7	22-01140-02	Terminal, Ring, #10 - 12/10 AWG (AMP# 35109)	3

1.5.3 EM7 GEN-V, Wire Harness 22-62099-00 & -01: OPTION 6

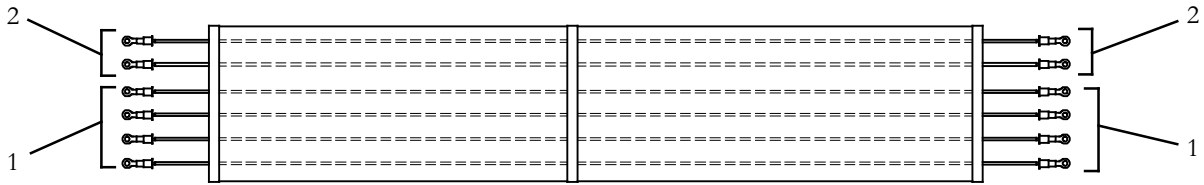


Item	Part Number	Description	Qty
1	22-01140-02	Terminal Ring #10, 12/10 AWG (AMP# 35109)	5
2	22-00121-27	Terminal Ring #10, 22/18 AWG (AMP# 2-34149-1)	2
3	22-02245-02	Terminal, Female, Insulated Faston Straight 1/4", 22/18 AWG (AMP# 2-520405-2)	2/4
4	12-00533-00	Speed Controller w/ Harness	1



NOTE: Complete Wire Harnesses are Non-Stock Items. Replacement Components are Listed and can be cross referenced to supplier part number in manual T-375PL.

1.5.3 EM7 GEN-V, Wire Harness 22-62194-00: OPTION 7



Item	Part Number	Description	Qty
1	22-01140-02	Terminal Ring #10, 10 AWG (AMP# 35109)	8
2	22-00121-27	Terminal Ring #10, 22/18 AWG (AMP# 2-34149-1)	4

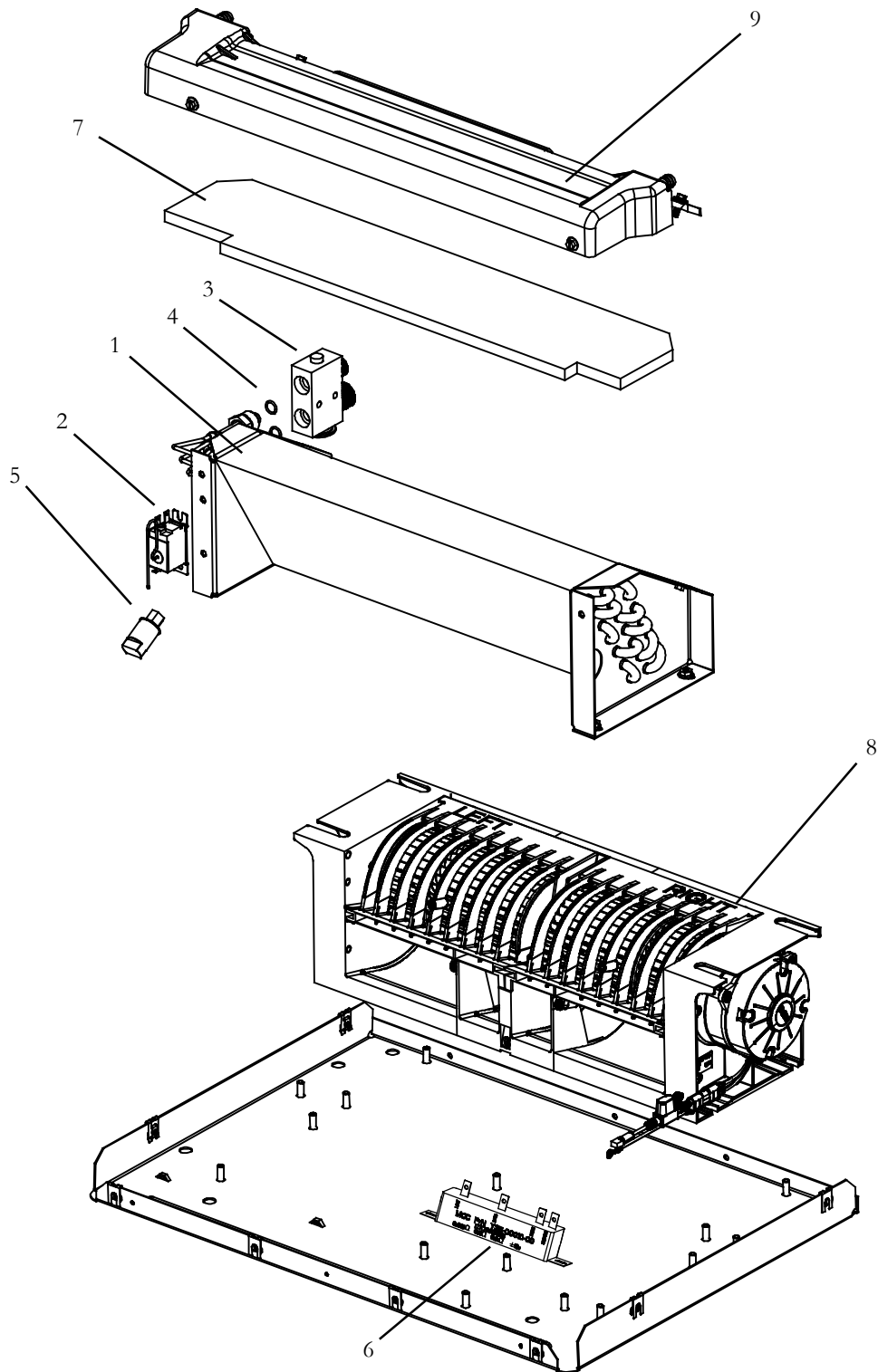


OPTION TABLE - EM7 - GEN VI

MODEL EM7 Y19-EM701	Cover Kit (See Section 1.5.5)	Chassis Kit (See Section 1.5.4)	Wire Harness (See Section 1.5.6)
-21	1	1	1
-22	1	1	1
-23	2	1	1
-24	2	1	1
-25	2	1	1
-31	1	1	1
-32	1	1	1
-41	1	1	1
-42	1	1	1
-44	1	1	1
-45	1	1	1
-47	1	1	1
-48	1	1	4
-51	2	1	1
-52	2	1	1
-61	2	1	1
-62	2	1	1
-80	1	1	2
-81	1	1	2
-82	1	1	2
-83	1	1	2
-84	1	1	4
-85	1	1	1
-91	2	1	3
-95	1	1	1
-96	1	1	1



1.5.4 EM-7, GEN-VI, 3 SPEED CHASSIS KITS Y73-EM701-00 thru -02 (COMMON PARTS): OPTION 1



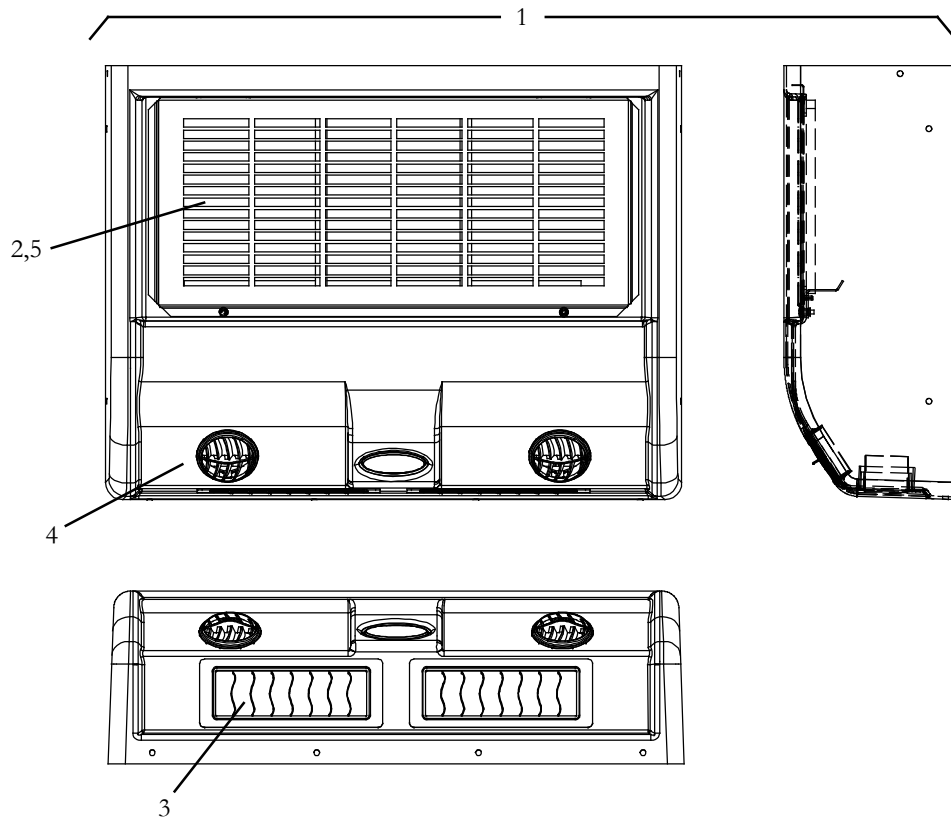
NOTE: See Option Table and Section 1.5.6 For Y73-EM701-00 thru -02 Wire Harnesses



1.5.4 EM-7, GEN-VI, 3 SPEED CHASSIS KITS Y73-EM701-00 thru -02 (COMMON PARTS) : OPTION 1- Cont:			
Item	Part Number	Description	Qty
1	08-01068-02	Coil Assembly, Evaporator	1
2	12-00685-00	Thermostat	1
3	14-00397-00	Expansion Valve	1
4	AC801-202	O-Rings, 1/2" HN BR	2
5	AC201-412	Pressure Switch, Low	1
6	22-62169-00	Resistor, 220W/.820 Ohm	1
7	42-62140-02	Baffle, Evaporator	1
8	54-00646-02	Blower Assembly, 12VDC, Includes:	1
9	58-62186-02	Drain Pan	1



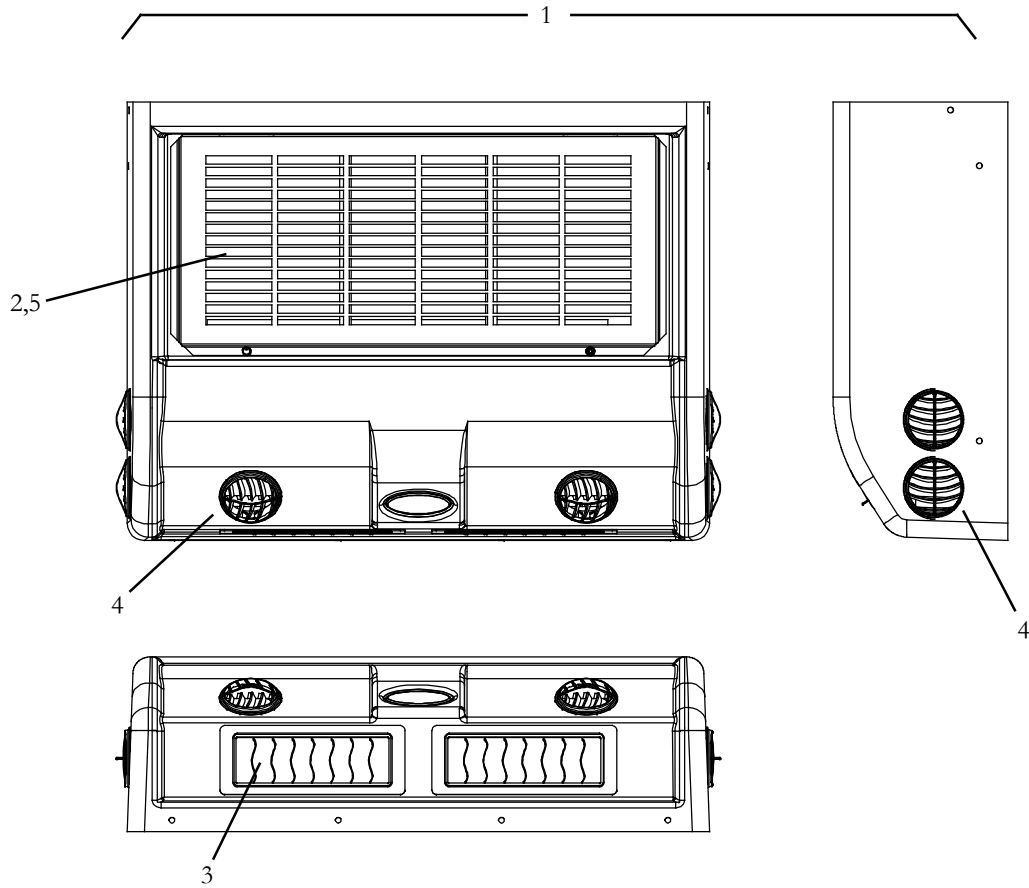
1.5.5 EM-7, GEN-VI, COVER ASSEMBLY, REAR MOUNT : OPTION 1



Item	Part Number	Description	Qty
1	Y28-00027-00	Cover Assembly, Gray, (used on -22,-32,-42,-44,-47,-48,-82,-83,-84,-85 & -96)	1
	Y28-00027-01	Cover Assembly, White, (used on -21,-31,-41,-45,-80,-81 & -95)	1
2	38-00573-03	Filter, Air	1
3	58-62042-00	Diffuser, Air, Adjustable Rectangular	2
4	Y23-00002-00	Louver, 2.5" Fixed Vane	2
5	Y24-00110-00	Grille, Return Air	1



1.5.5 EM-7, GEN-VI, COVER ASSEMBLY, SIDE MOUNT: OPTION 2

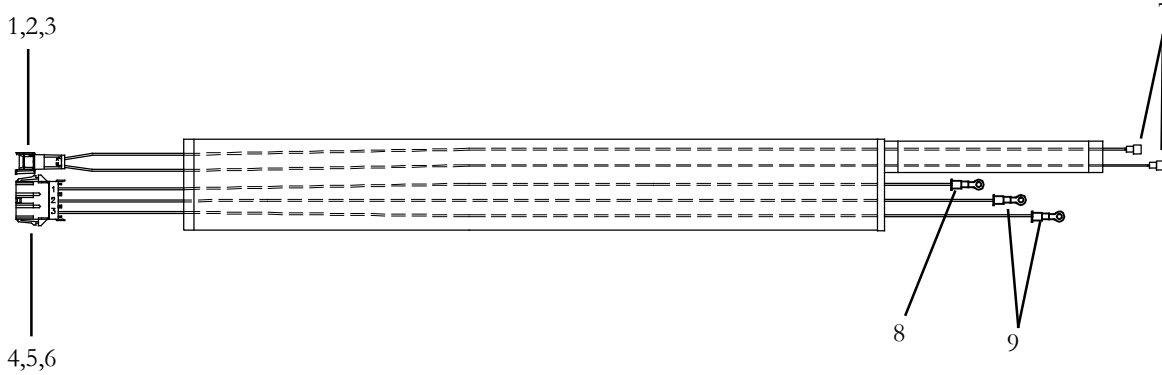


Item	Part Number	Description	Qty
1	Y28-00027-02	Cover Assembly, Gray, (used on -23,-25,-52,-62 & -91))	1
	Y28-00027-03	Cover Assembly, White, (used on -24,-51 & -61)	1
2	38-00573-03	Filter, Air	1
3	58-62042-00	Diffuser, Air, Adjustable Rectangular	4
4	Y23-00002-00	Louver, 2.5" Fixed Vane	6
5	Y24-00110-00	Grille, Return Air	1



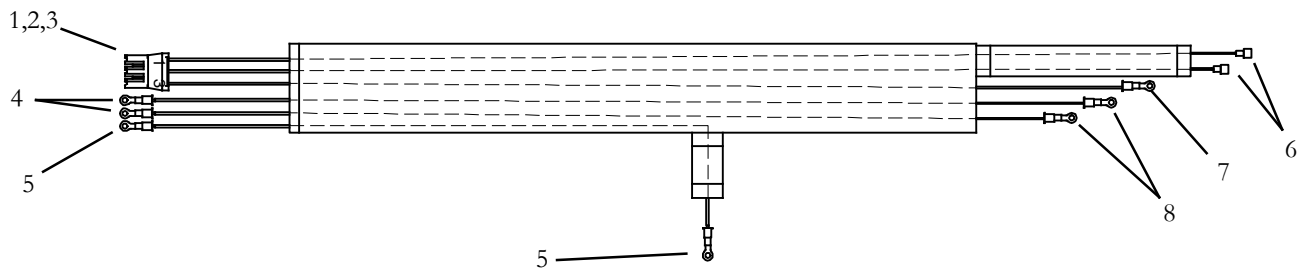
NOTE: Complete Wire Harnesses are Non-Stock Items. Replacement Components are Listed and can be cross referenced to supplier part number in manual T-375PL.

1.5.6 EM7 GEN-VI, Wire Harness 22-62303-00: OPTION 1



Item	Part Number	Description	Qty
1	22-50099-37	Connector, Male, MP 280 Series, Unsealed (Delphi# 12129155)	1
2	22-50099-37A	Terminal, Male, 16/18 AWG (Delphi# 12034047)	2
3	22-50099-37D	Lock, Secondary (Delphi# 12129157)	1
4	22-50099-32	Connector, Plug Housing, 3 Way (Molex# 42818-0312)	1
5	22-50099-32A	Terminal, Male, 10/12 AWG (Molex# 42817-0011)	2
6	22-50099-32B	Terminal, Male, 8 AWG (Molex# 42817-0031)	1
7	22-02245-02	Terminal, Female, Fully Insulated, 22/18 AWG (AMP# 2-520405-2)	2
8	22-00872-01	Terminal, Ring, #10 - 8 AWG (AMP# 52263-1)	1
9	22-01140-02	Terminal, Ring, #10 - 12/10 AWG (AMP# 35109)	2

1.5.6 EM7 GEN-VI, Wire Harness 22-62303-01: OPTION 2

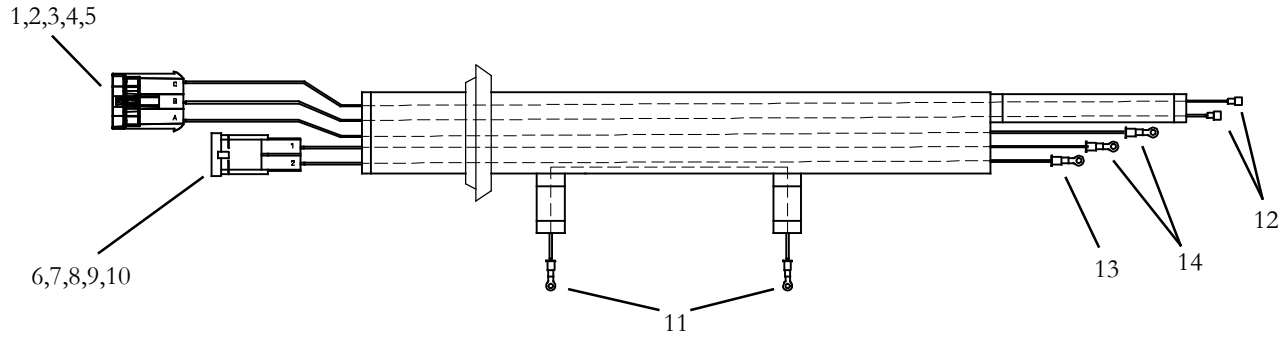


Item	Part Number	Description	Qty
1	Y31-00007-00	Connector, Female, 3 Way (Molex# 44441-2003)	1
2	Y31-00007-50	Terminal, Female, 18-20 AWG (Molex# 43375-2001)	2
3	Y31-00007-51	Terminal, Female, 14-16 AWG (Molex# 43375-1001)	1
4	22-01140-04	Terminal, Ring 3/8", 12/10 AWG (AMP# 2-320577-3)	2
5	22-00872-03	Terminal, Ring 5/16", 8 AWG (AMP# 52291)	2
6	22-02245-02	Terminal, Female, Fully Insulated, 22/18 AWG (AMP# 2-520405-2)	2
7	22-01139-02	Terminal, Ring, #10 - 14/16 AWG (AMP# 51864-2)	1
8	22-01140-02	Terminal, Ring, #10 - 12/10 AWG (AMP# 35109)	2



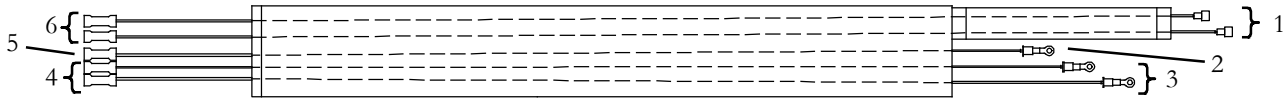
NOTE: Complete Wire Harnesses are Non-Stock Items. Replacement Components are Listed and can be cross referenced to supplier part number in manual T-375PL.

1.5.6 EM7 GEN-VI, Wire Harness 22-62303-02: OPTION 3



Item	Part Number	Description	Qty
1	22-50078-86	Connector, Male, M/P 630, 3 Way (Delphi# 12124686)	1
2	22-50078-49A	Terminal, Male, 18 AWG (Delphi# 12064734)	2
3	22-50078-49C	Terminal, Male, 12 AWG (Delphi# 12064737)	1
4	22-50078-86B	Cable Seal (Delphi# 15324995)	3
5	22-50078-86A	Lock, Secondary (Delphi# 12045699)	1
6	22-50098-67	Connector, Male, 2 Way (Tyco# 1544334-1)	1
7	22-50098-67B	Terminal, Male, 8 AWG (Tyco# 1544333-1)	1
8	22-50098-67A	Terminal, Male, 10/12 AWG (Tyco# 1544332-1)	1
9	22-50098-67C	Cable Seal, 10/12 AWG (Tyco# 1544316-1)	1
10	22-50098-67D	Cable Seal, 8 AWG (Tyco# 1544316-2)	1
11	22-00872-03	Terminal, Ring 5/16", 8 AWG (AMP# 52291)	2
12	22-02245-02	Terminal, Female, Fully Insulated, 22/18 AWG (AMP# 2-520405-2)	1
13	22-00872-01	Terminal, Ring, #10 - 8 AWG (AMP# 52263-1)	1
14	22-01140-02	Terminal, Ring, #10 - 12/10 AWG (AMP# 35109)	2

1.5.6 EM7 GEN-VI, Wire Harness 22-62303-03: OPTION 4



Item	Part Number	Description	Qty
1	22-02245-02	Terminal, Female, Fully Insulated, 22/18 AWG (AMP# 2-520405-2)	2
2	22-00872-01	Terminal, Ring, #10 - 8 AWG (AMP# 52263-1)	1
3	22-01140-02	Terminal, Ring, #10 - 12/10 AWG (AMP# 35109)	2
4	Y31-00032-02	Terminal, Butt Splice,Heat Sealable, 12-10 AWG (Molex# 19164-0056)	2
5	Y31-00032-03	Terminal, Butt Splice,Heat Sealable, 8 AWG (Molex# 19164-0079)	1
6	Y31-00032-00	Terminal, Butt Splice,Heat Sealable, 22-18 AWG (Molex# 19164-0013)	2



SECTION 1.6 EM-9 EVAPORATORS

**OPTION TABLE - EM9 - GEN IV,
12 VDC - 3 Speed**

MODEL EM9 Gen IV 77-62180	Cover Kit (see Section 1.6.3)	Chassis Kit (see Section 1.6.1)	Wire Harness (see Section 1.6.2)
-00	-	1	1
-01	-	1	1
-10	1	1	2
-11	2	1	2
-12	1	1	2
-13	2	1	2
-20	2	1	2
-30	-	1	2
-31	-	1	2
-40	1	1	2
-41	3	1	2
-42	2	1	2
-90	-	1	2
-91	-	1	2

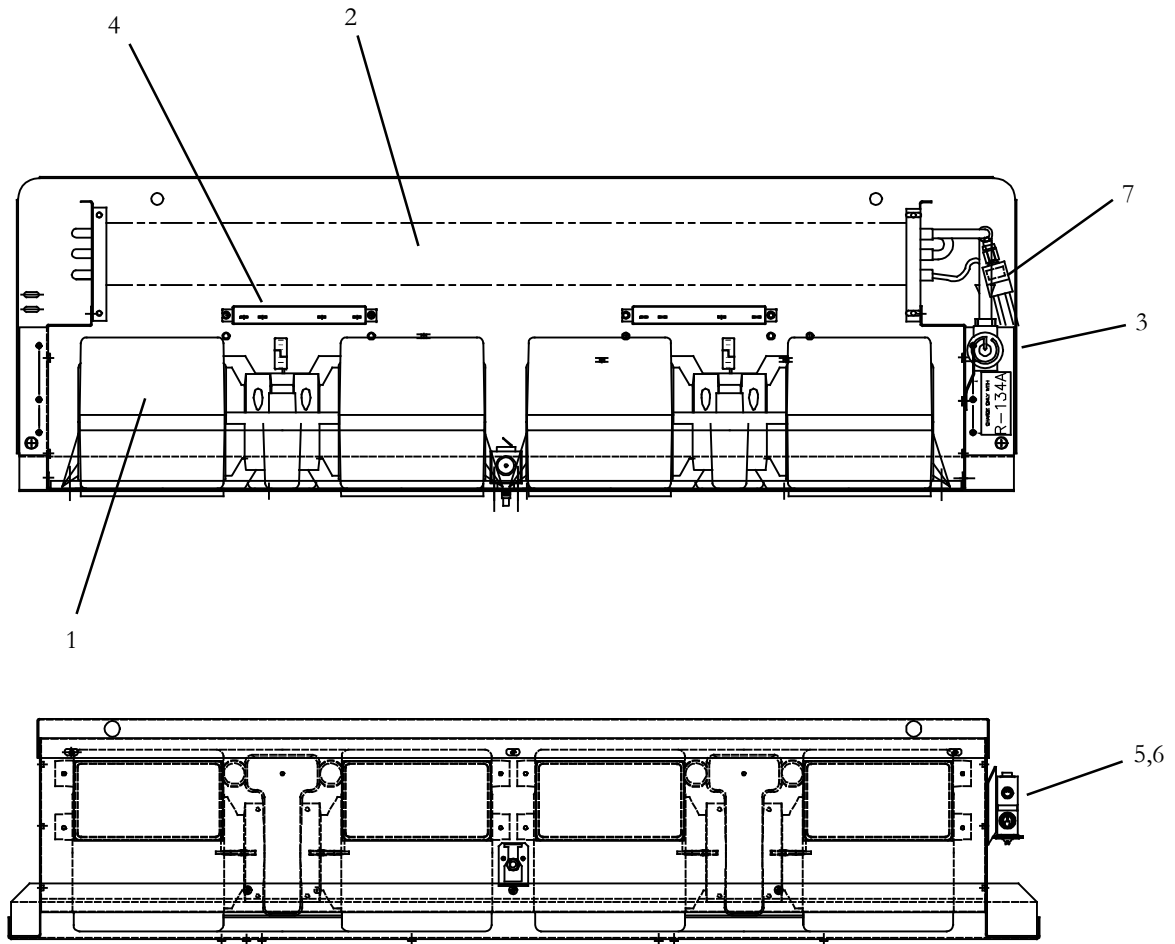
**OPTION TABLE - EM9 - GEN IV
24 VDC - 3 Speed**

MODEL EM9 Gen IV 77-62180	Cover Kit (see Section 1.6.3)	Chassis Kit (see Section 1.6.1)	Wire Harness (see Section 1.6.2)
-05	-	1	1
-06	-	1	1
-15	1	1	1
-16	2	1	1
-35	-	1	1
-36	-	1	1
-95	-	1	2
-96	-	1	2

NOTE: Units marked with a dash in matrix “Cover Kit” are supplied with evaporator grille and air filter only.



1.6.1 EVAPORATOR, EM-9, GEN IV, SIDE MOUNT, DUCTED (Common Parts): OPTION 1

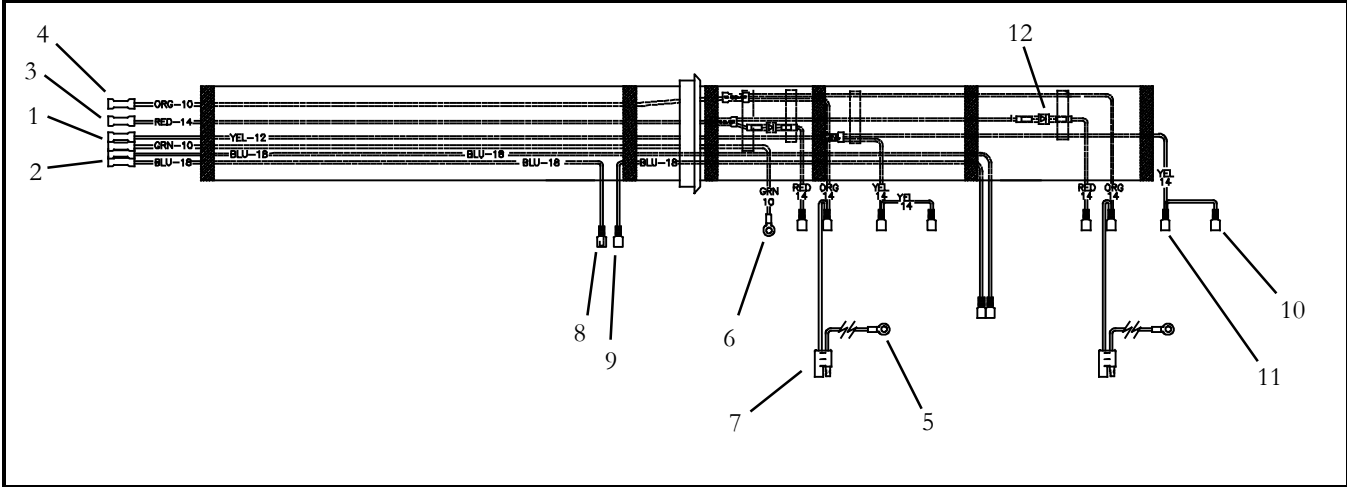


Item	Part Number	Description	Qty
1	54-00588-00Blower Assembly, 12 VDC	2
	AC401-233Blower Assembly, 24 VDC	2
2	08-62066-00	Coil, Evaporator, EM-9, 3 Row, Without Heat	1
	08-62065-00	Coil, Evaporator/Heater, EM-9, 3/1 Row, With Heat	1
3	AC201-501	Thermostat, Freeze-Up	1
4	76-62019-00	Resistor Kit, (1.8 Ohm, 4 Prong)	2
5	14-00397-00	Valve, Thermal Expansion, Block	1
6	AC801-202	O-Ring, 1/2 Inch HNBR	2
7	AC201-412	Switch, Low Pressure	1



NOTE: Complete Wire Harnesses are Non-Stock Items. Replacement Components are Listed and can be cross referenced to supplier part number in manual T-375PL.

1.6.2 EM9 GEN-IV, Wire Harness 22-62226-00: OPTION 1

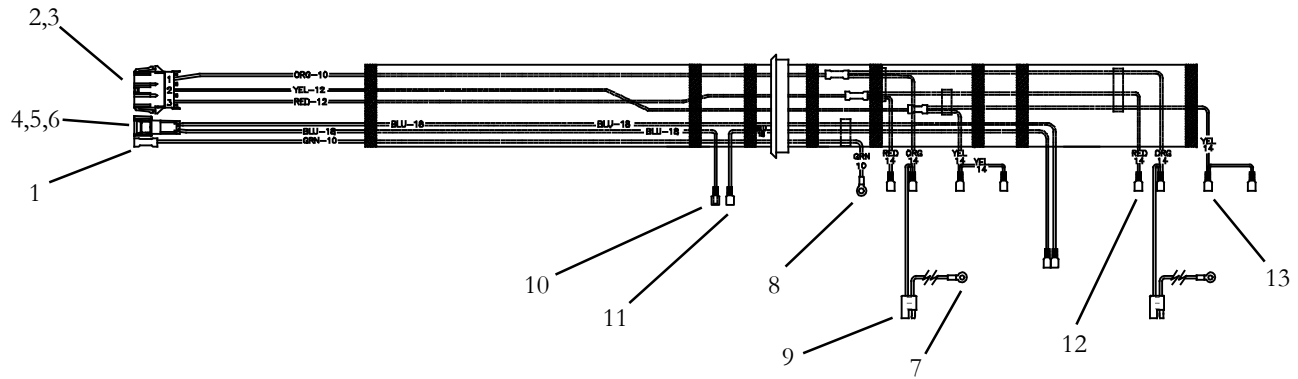


Item	Part Number	Description	Qty
1	22-00066-03	Terminal, Butt Splice, 10/12 AWG (AMP# 2-34072-2)	2
2	22-00066-01	Terminal, Butt Splice, 22/18 AWG (AMP# 1-34070-1)	2
3	N/A	Terminal, Butt Splice, Step Down, 14/16 AWG to 10/12 AWG	1
4	N/A	Terminal, Butt Splice, Step Down, 8 AWG to 10/12 AWG	1
5	22-01139-05	Terminal Ring, #8 - 14/16 AWG (AMP# 51864-1)	2
6	22-01140-05	Terminal Ring, #8 - 10/12 AWG (AMP# 35108)	1
7	AC201-905	Connector Assembly	2
8	22-01502-00	Terminal, Male, Push-on, Insulated, 1/4" - 22/18 AWG (AMP# 2-520102-2)	1
9	22-02245-02	Terminal, Female, Push-on, Insulated, 1/4" - 22/18 AWG (AMP# 2-520405-2)	3
10	N/A	Terminal, Female, Push-on, Insulated, 1/4" - 16/14 AWG	4
11	31-1247	Terminal, Female, Push-on, Insulated, 1/4" - 12/10 AWG (AMP# 4-520447-2)	4
12	AC201-600	Diode, 6 Amp, 250V	2



NOTE: Complete Wire Harnesses are Non-Stock Items. Replacement Components are Listed and can be cross referenced to supplier part number in manual T-375PL.

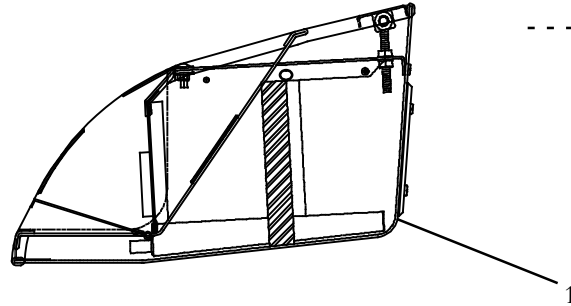
1.6.2 EM9 GEN-IV, Wire Harness 22-62279-00: OPTION 2



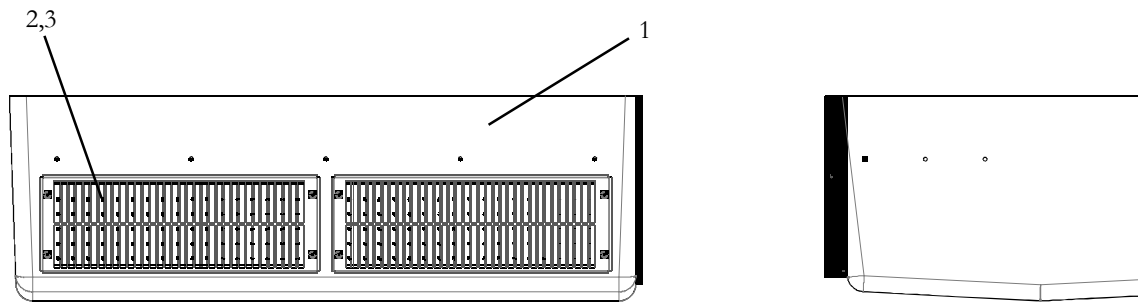
Item	Part Number	Description	Qty
1	22-00066-03	Terminal, Butt Splice, 10/12 AWG (AMP# 2-34072-2)	2
2	22-50099-32	Connector, Plug Housing, 3 Way (Molex# 42818-0312)	1
3	22-50099-32A	Terminal, Male, 10/12 AWG (Molex# 42817-0011)	3
4	22-50099-37	Connector, Male, Unsealed, Metri-Pack 280 (Delphi# 12129155)	1
5	22-50099-37A	Terminal, Male, 16/18 AWG (Delphi# 12034047)	2
6	22-50099-37D	TPA (Delphi# 12129157)	1
7	22-01139-05	Terminal Ring, #8 - 14/16 AWG (AMP# 51864-1)	2
8	22-01140-05	Terminal Ring, #8 - 10/12 AWG (AMP# 35108)	1
9	NSI	Connector Assembly	2
10	22-01502-00	Terminal, Male, Push-on, Insulated, 1/4" - 22/18 AWG (AMP# 2-520102-2)	1
11	22-02245-02	Terminal, Female, Push-on, Insulated, 1/4" - 22/18 AWG (AMP# 2-520405-2)	3
12	N/A	Terminal, Female, Push-on, Insulated, 1/4" - 16/14 AWG	4
13	31-1247	Terminal, Female, Push-on, Insulated, 1/4" - 12/10 AWG (AMP# 4-520447-2)	4



1.6.3 EVAPORATOR, EM-9, GEN 4, SIDE MOUNT, DUCTED , COVERS



OPTIONS 1 & 2



OPTION 3

Item	Part Number	Description	Qty
1	N/A	Cover Assembly, White (Option 1)	1
	AC021-366	Cover Assembly, Gray (Option 2)	1
	Y28-00007-00	Cover Assembly, Gray, TBB (Option 3)	1
2	AC021-190-1	Grille, Evaporator	2
	AC021-190-2	Grille, Evaporator, Gray	2
3	38-00558-00	Filter, Air	2



SECTION 1.7 EM-14 EVAPORATORS

**OPTION TABLE - EM14 - GEN IV,
12 VDC - 3 Speed**

MODEL EM14 Gen IV 77-62181	Cover Kit (see Section 1.7.3)	Chassis Kit (see Section 1.7.1)	Wire Harness (see Section 1.7.2)
-00	-	1	1
-01	-	1	1
-02	-	1	1
-03	-	1	1
-10	1 & 2	1	1
-11	1 & 2	1	1
-12	1 & 2	1	2
-13	1 & 2	1	2
-20	1 & 2	1	1
-30	1 & 2	1	1
-31	1 & 2	1	1
-32	1 & 2	1	2
-50	1 & 3	1	1
-51	1 & 3	1	1
-53	1 & 3	1	2
-70	1 & 2	1	1
-80	-	1	1

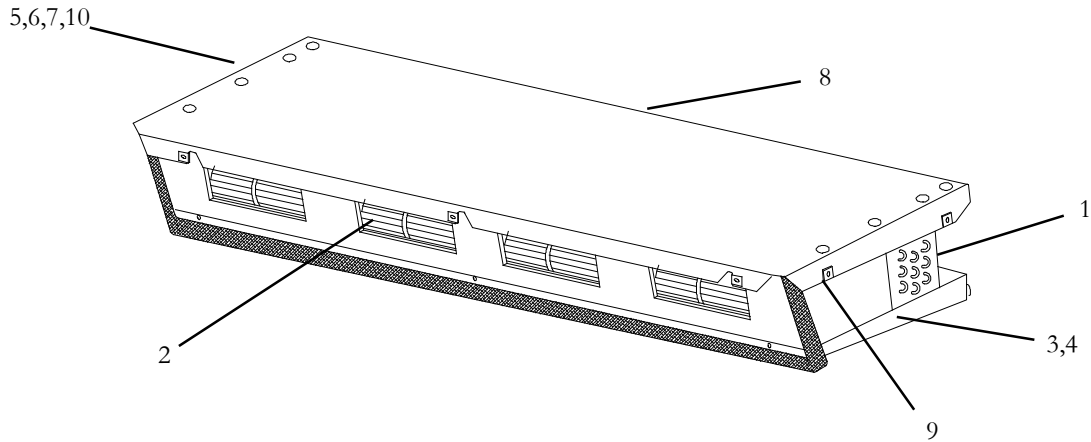
**OPTION TABLE - EM14 - GEN IV
24 VDC - 3 Speed**

MODEL EM14 Gen IV 77-62181	Cover Kit (see Section 1.7.3)	Chassis Kit (see Section 1.7.1)	Wire Harness (see Section 1.7.2)
-05	-	1	1
-06	-	1	1
-07	-	1	1
-15	1 & 2	1	1
-16	1 & 2	1	1



SECTION 1.7 EM-14 EVAPORATORS

1.7.1 EVAPORATOR, EM-14, GEN 4 SERIES, FREE BLOW , REAR & SIDE MOUNT (Common Parts): OPTION 1

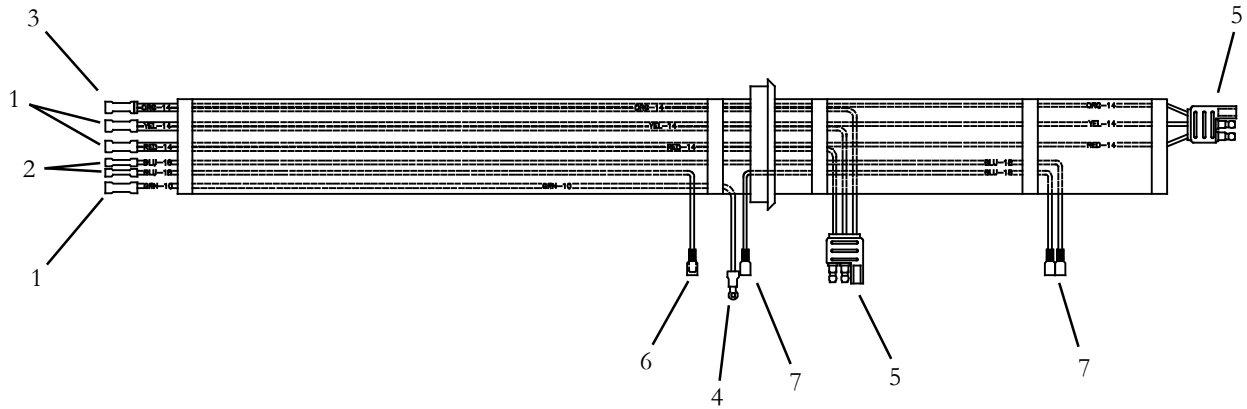


Item	Part Number	Description	Qty
1	-	Coil Assembly, With Low Pressure Switch Connection (Use 08-62063-00)	1
	08-62063-00	Coil Assembly, With Heat, With Low Pressure Switch Connection	1
2	AC401-203	Blower Assembly, 12 VDC	2
	AC401-204	Blower Assembly, 24 VDC	2
3	79-62129-00	Drain Pan, Assembly, (Foamed)	1
4	AC022-746	Baffle, Foam, EM-14 Drain Pan	1
5	AC201-501	Thermostat, Freeze-Up	1
6	14-00397-00	Valve, Thermal Expansion, R134a	1
7	AC801-202	O-Ring, 1/2 Inch	2
8	AC801-461	Filter, return Air, 28-1/2 X 5 Inches	1
9	AC701-123	Tinnerman Clip, Hi-Torque #10AB	7
10	AC201-412	Switch, Low Pressure	1



NOTE: Complete Wire Harnesses are Non-Stock Items. Replacement Components are Listed and can be cross referenced to supplier part number in manual T-375PL.

1.7.2 EM14, Wire Harness 22-62223-00: OPTION 1

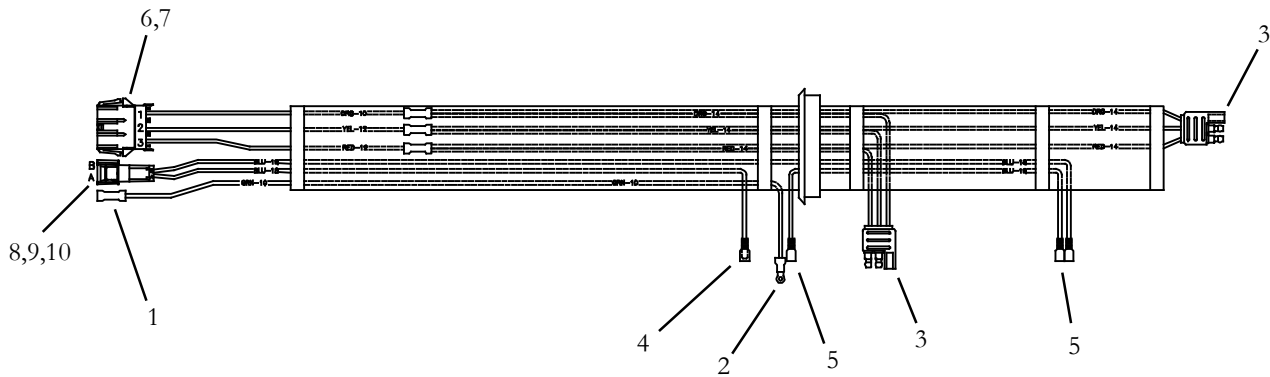


Item	Part Number	Description	Qty
1	22-00066-03	Terminal, Butt Splice, 10/12 AWG (AMP# 2-34072-2)	3
2	22-00066-01	Terminal, Butt Splice, 22/18 AWG (AMP# 22-00066-01)	2
3	N/A	Terminal, Butt Splice, Step Down, 8 AWG to 10/12 AWG	1
4	22-01140-02	Terminal Ring, #10 - 10/12 AWG (AMP# 35109)	1
5	22-62002-00	Connector Assembly	2
6	22-01502-00	Terminal, Male, Push-on, Insulated, 1/4" - 22/18 AWG (AMP# 2-520102-2)	1
7	22-01258-01	Terminal, Female, Push-on, Insulated, 1/4" - 22/18 AWG (AMP# 2-520184-2)	3



NOTE: Complete Wire Harnesses are Non-Stock Items. Replacement Components are Listed and can be cross referenced to supplier part number in manual T-375PL.

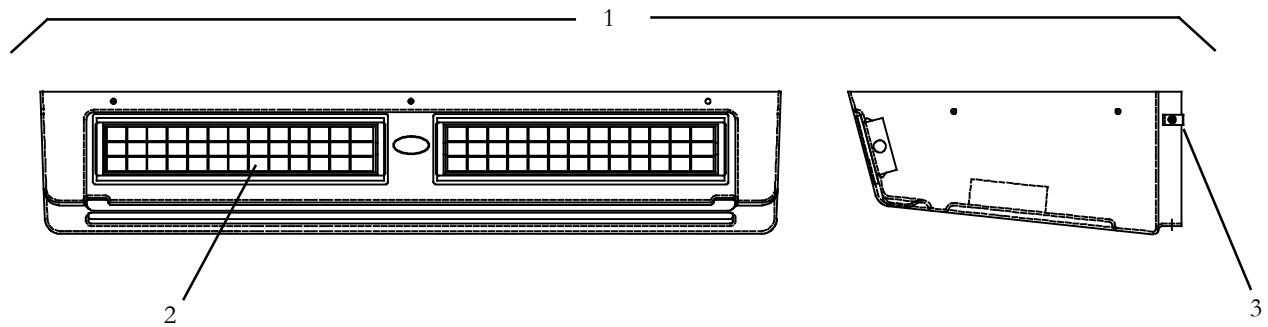
1.7.2 EM14, Wire Harness 22-62285-00: OPTION 2



Item	Part Number	Description	Qty
1	22-00066-03	Terminal, Butt Splice, 10/12 AWG (AMP# 2-34072-2)	1
2	22-01140-02	Terminal Ring, #10 - 10/12 AWG (AMP# 35109)	1
3	22-62002-00	Connector Assembly	2
4	22-01502-00	Terminal, Male, Push-on, Insulated, 1/4" - 22/18 AWG (AMP# 2-520102-2)	1
5	22-01258-01	Terminal, Female, Push-on, Insulated, 1/4" - 22/18 AWG (AMP# 2-520184-2)	3
6	22-50099-32	Connector, Plug Housing 3-Way, (Molex# 42818-0312)	1
7	22-50099-32A	Terminal, Male 10/12 AWG, (Molex# 42817-0011)	3
8	22-50099-37	Connector, Male Unsealed, M/P 280 Series (Delphi# 12129155)	1
9	22-50099-37A	Terminal, Male, 16/18 AWG (Delphi# 12034047)	2
10	22-50099-37D	TPA (Delphi# 12129157)	1



1.7.3 EVAPORATOR, EM-14, FREE BLOW, REAR & SIDE MOUNT COVER ASSEMBLY, OPTION 1



Item	Part Number	Description	Qty
1	N/A	Cover Assembly, EM14, White, Includes:	1
	79-62070-01	Cover Assembly, EM14, Gray, Includes	1
2	AC401-320	Diffuser, Air	2
3	AC701-106	Clip, Tinnerman, 1/4" - 20	2



SECTION 1.8 EM-17 EVAPORATORS

**OPTION TABLE - EM17 - GEN IV,
24 VDC - Manual Control**

MODEL EM17 Gen IV 77-62000	Chassis Kit (see Section 1.8.1)	Wire Harness (see Section 1.8.2)
-10	3	2
-20	1	2
-22	1	2
-24	1	2
-30	4	1

**OPTION TABLE - EM17 - GEN IV
24 VDC - Enviromate**

MODEL EM17 Gen IV Y19-E1701	Chassis Kit (see Section 1.8.1)	Wire Harness (see Section 1.8.2)
-00	3	2

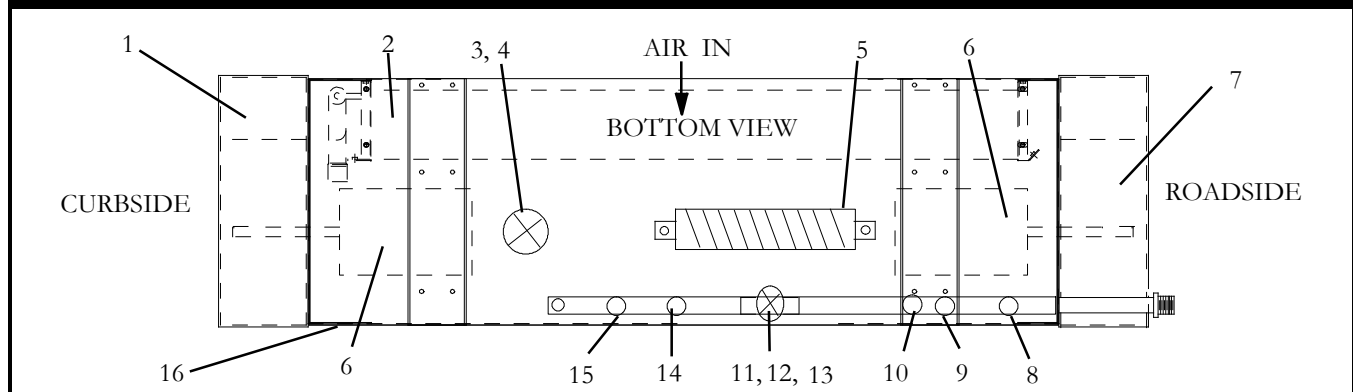
**OPTION TABLE - EM17 - GEN IV
24 VDC - Enviromate**

MODEL EM17 Gen IV Y19-E1702	Chassis Kit (see Section 1.8.1)	Wire Harness (see Section 1.8.2)
-00	4	1



SECTION 1.8 EM-17 EVAPORATORS

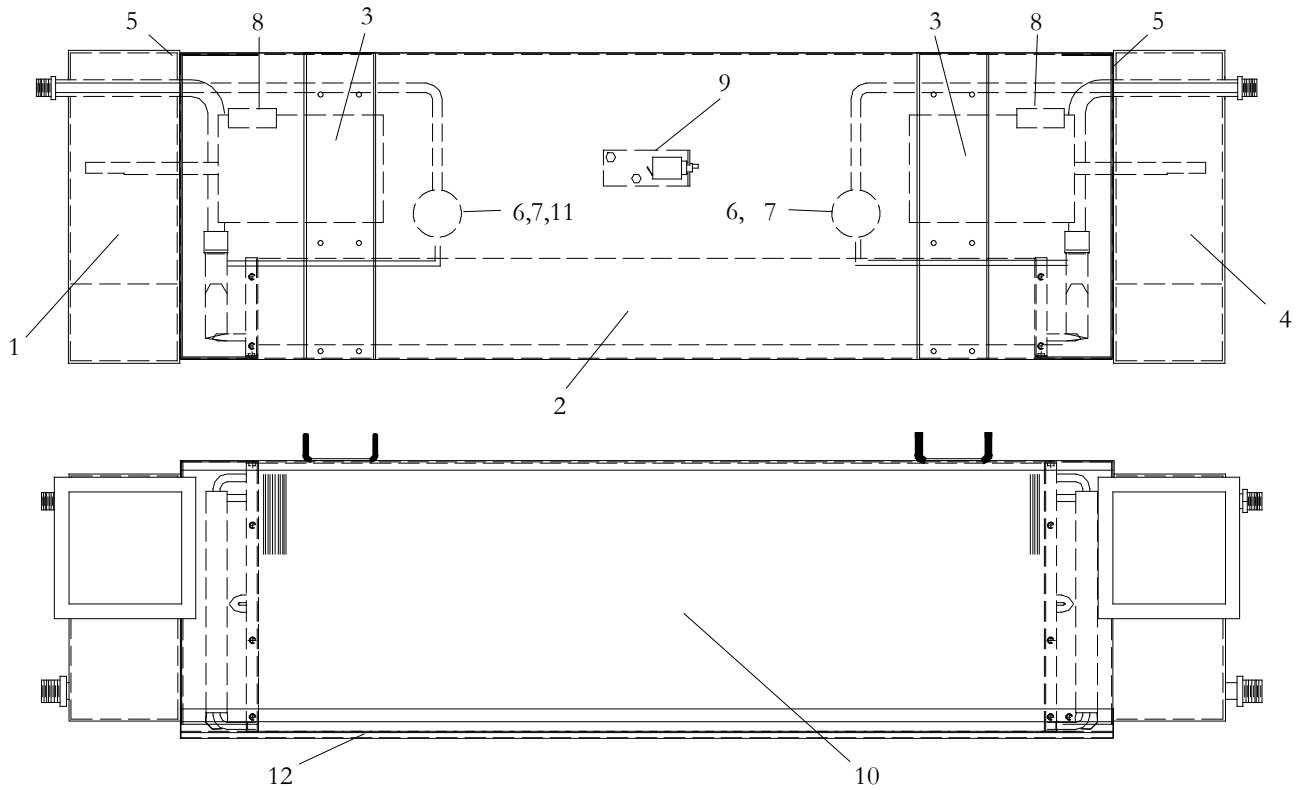
1.8.1 EVAPORATOR, EM-17, SINGLE LOOP, GEN 4 SERIES : OPTION 1



Item	Part Number	Description	Qty
1	401-215	Blower Wheel, (Roadside)	1
2	21-2041	Coil Assembly, Evaporator, Cool Only (Was 08-62006-00)	1
	N/A	Coil Assembly, Evaporator, With Heat (Was 08-62023-00)	1
3	66U1-1214-5	Flange, Body, (TXV)	1
4	14-01104-39	Valve, Thermal Expansion, R134a	1
5	22-01584-00	Resistor, With Bracket, (420 Watts)	1
6	AC501-122	Motor, Evaporator, (Lesson) - Includes:	2
N/S	22-50091-00Brush, Motor	2
N/S	04-50023-00Bearing, Motor	2
7	AC401-220	Blower Wheel, (Curbside)	1
8	Y25-00232-02	Switch, Pressure, UPS3(Open 245-265 psig/Close 310-330 psig) (Was: 12-00299-02)	1
9	Y25-00232-10	Switch, Pressure, CFS1(Open 75-85 psig/Close 95-105 psig) (Was: 12-00299-18)	1
10	Y25-00232-05	Switch, Pressure, CFS2(Open 205-235 psig/Close 265-285 psig) (Was: 12-00299-09)	1
11	AC101-422	Valve, Solenoid, 5/8 Inch, Less Coil	1
12	22-50030-00	Coil, Solenoid, 24 VDC	1
13	14-50047-00	Repair Kit For Solenoid Valve AC101-422	1
14	Y25-00234-01	Switch, Pressure, UPS1 (Open 31-37 psig/Close 25-28 psig) (Was: 12-00334-03)	1
15	Y25-00234-00	Switch, Pressure, UPS2 (Open 28-34 psig/Close 21.5-24.5 psig) (Was: 12-00334-02)	1
NS	AC801-443	Filter, Return Air (41.5" X 12.5")	1
NS	40-00491-15	Fitting, ORS, #10 X 2.11 X 5/8 Tube	1
NS	40-00491-01	Fitting, ORS, #20 X 1.70 X 1-1/8 Tube	1
16	AC022-314	Baffle, Drain Pan	1



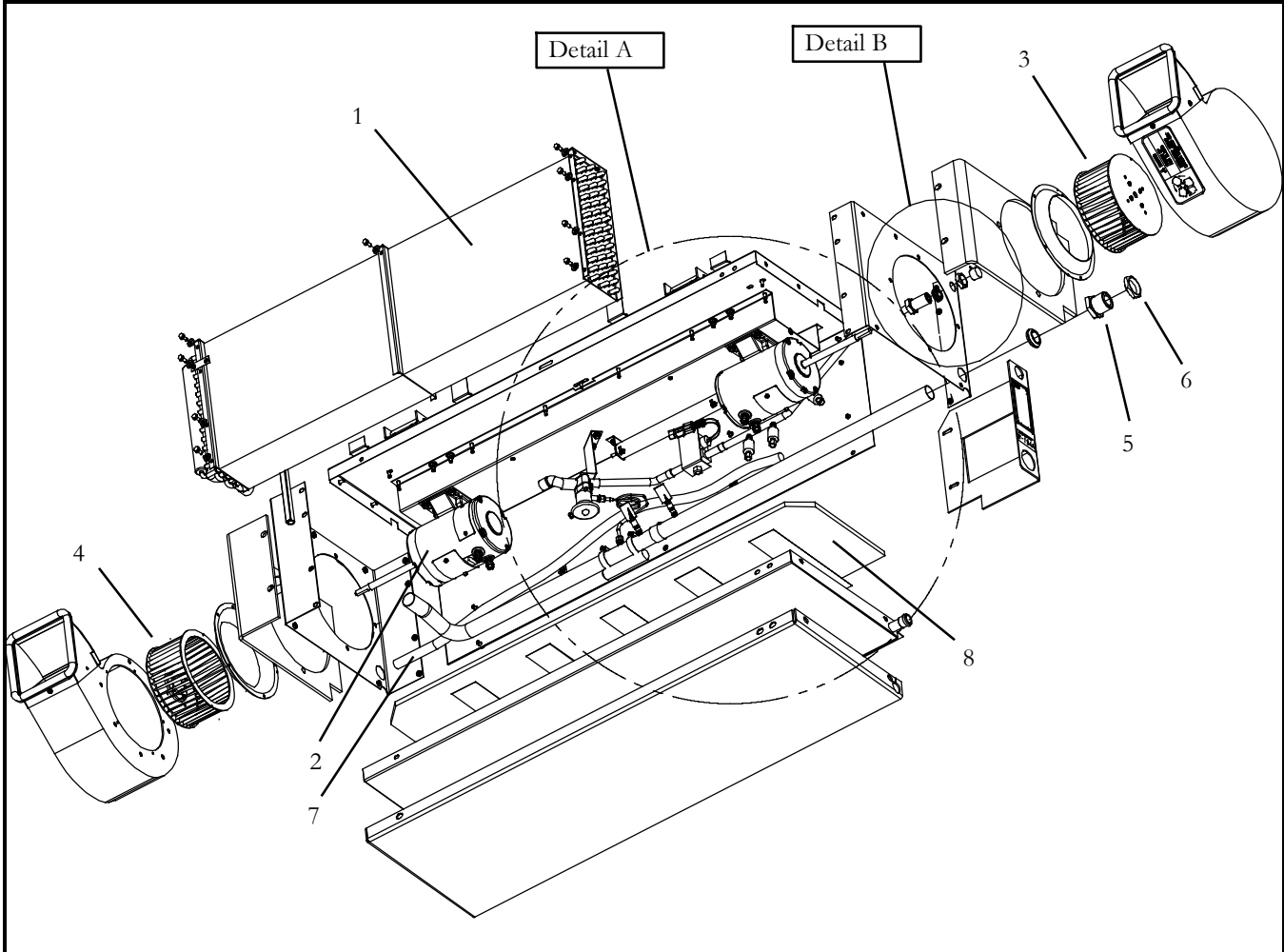
1.8.1 EVAPORATOR, EM-17, DUAL LOOP, GEN 4 SERIES : OPTION 2



Item	Part Number	Description	Qty
1	401-215	Blower Wheel, Right, (Roadside)	1
2	N/A	Coil Assembly, Split	1
3	AC501-122	Motor, Evaporator, (Leeson) - Includes:	2
N/S	22-50091-00Brush, Motor	2
N/S	04-50023-00Bearing, Motor	2
4	AC401-220	Blower Wheel, (CurbSide),	1
5	AC401-217	Venturi Ring	2
6	66U1-1214-5	Flange Body, 1/2 ODF X 5/8 ODF, (TXV)	2
7	14-01104-37	Valve, Thermal Expansion, 2.5 Ton, No-MOP	2
8	Y25-00232-01	Switch, Pressure, Low	2
9	AC201-501	Thermostat, Freeze-Up, Dual Sensor	1
10	AC801-443	Filter, Return Air (41.5 X 12.5 Inches)	1
11	56-62123-00	Tube, Equalizer	1
12	AC022-314	Baffle, Drain Pan	1



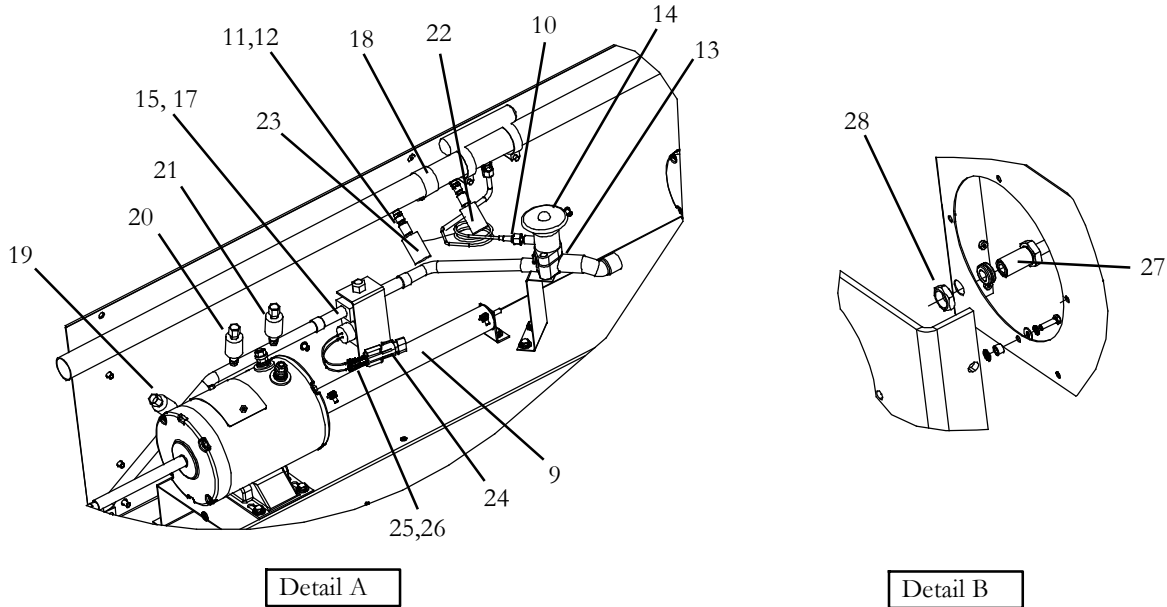
1.8.1 EVAPORATOR, EM-17, CHASSIS KITS 77-62000-11 & Y53-E1701-00: OPTION 3



Item	Part Number	Description	Qty
1	21-2041	Coil, Evaporator, (Was 08-62006-00)	1
2	AC501-122	Motor, Evaporator, (Leeson) - Includes:	2
N/S	22-50091-00Brush, Motor	2
N/S	04-50023-00Bearing, Motor	2
3	AC401-215	Blower Wheel, Roadside	1
4	AC401-220	Blower Wheel, Curbside	1
5	40-00491-01	Fitting, 1-11/16 ORS	1
6	34-06088-01	Nut, Hex, 1-5/8-12 ORS	1
7	22-62035-00	Wire Harness	NSI
8	AC022-314	Baffle, Drain Pan	1
N/S	AC801-443	Filter, Return Air	1



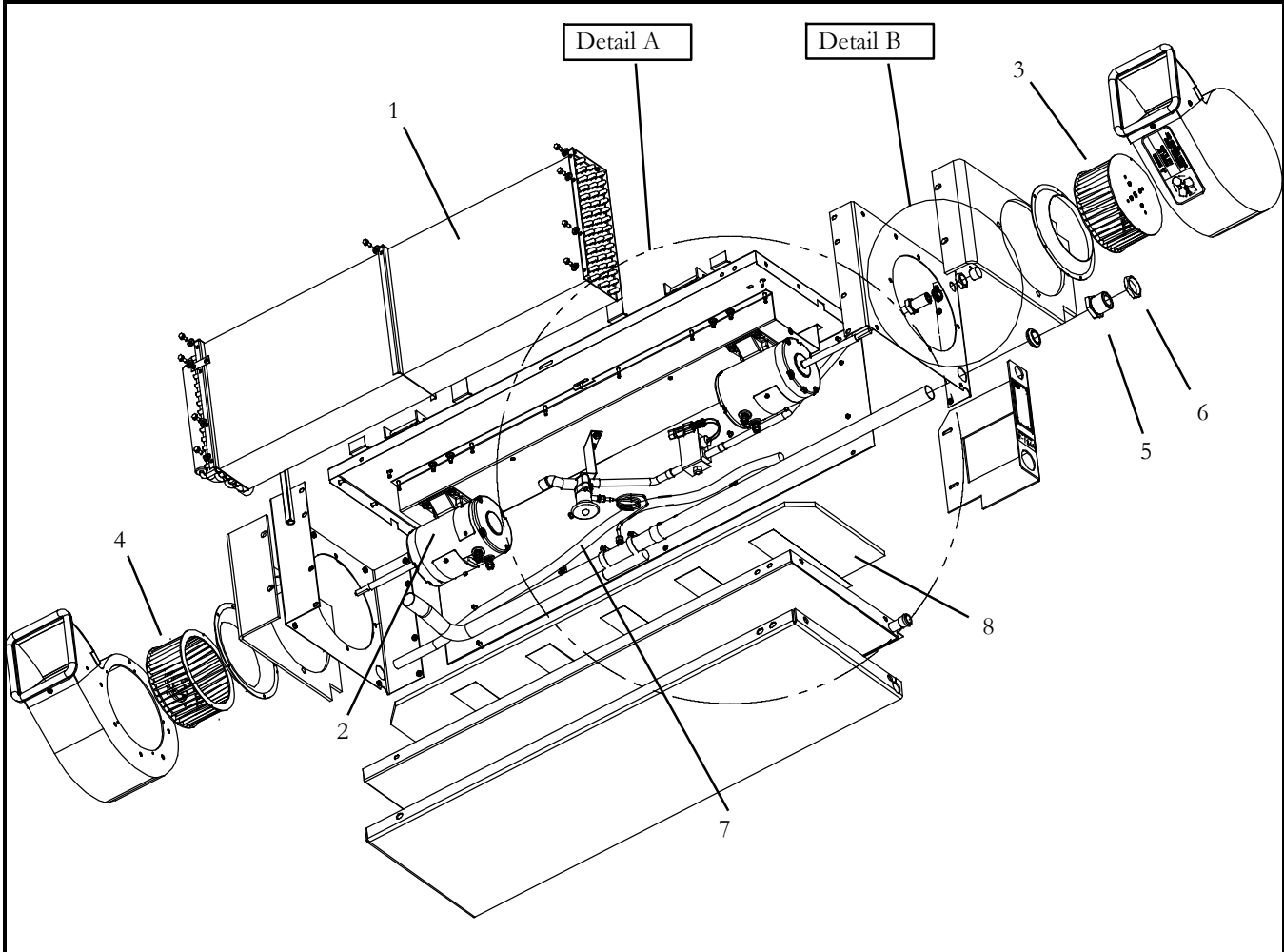
1.8.1 EVAPORATOR, EM-17, CHASSIS KITS 77-62000-11 & Y53-E1701-00: OPTION 3 (Continued)



Item	Part Number	Description	Qty
9	22-01584-00	Resistor, w/Bracket	1
10	56-62134-00	Tube Assy, Equalizer	1
11	14-00351-00	Core, Schrader	5
12	40-01124-00	Valve Body, Schrader (solder to 1/4" flare)	6
13	66-U--1--1214-5	Body, Flange TXV	1
14	14-01104-39	Valve, Thermal Expansion	1
15	AC101-422	Valve, Liquid Line Solenoid, (Less Coil)	1
16	14-50047-00	Repair Kit For Solenoid Valve AC101-422	1
17	22-50030-00	Coil, 24VDC	1
18	44-00337-12	Clamp, Cushioned, 1.125 ID (High Temp)	1
19	Y25-00232-02	Pressure Switch, CFS2 (Open 245-265 psig/Close 310-330 psig) (Was: 12-00299-02)	1
20	Y25-00232-10	Pressure Switch, CFS1 (Open 75-85 psig/Close 95-105 psig) (Was: 12-00299-18)	1
21	Y25-00232-05	Pressure Switch, UPS3 (Open 205-235 psig/Close 265-285 psig) (Was: 12-00299-09)	1
22	Y25-00234-00	Pressure Switch, UPS2 (Open 28-34 psig/Close 21.5-24.5 psig) (Was: 12-00334-02)	1
23	Y25-00234-01	Pressure Switch, UPS1 (Open 31-37 psig/Close 25-28 psig) (Was: 12-00334-03)	1
24	22-02392-01	Connector, 2 Pin Weatherpac (Delphi# 12034074)	1
25	22-02393-01	Terminal, Male, 18-20 AWG (Delphi# 12089040)	2
26	22-02394-01	Seal, Cable (Delphi# 15324981)	2
27	40-00491-15	Fitting, 3/8 ODF x 1.00 ORS	1
28	34-06088-04	Nut, Hex, ORS 1-14	1



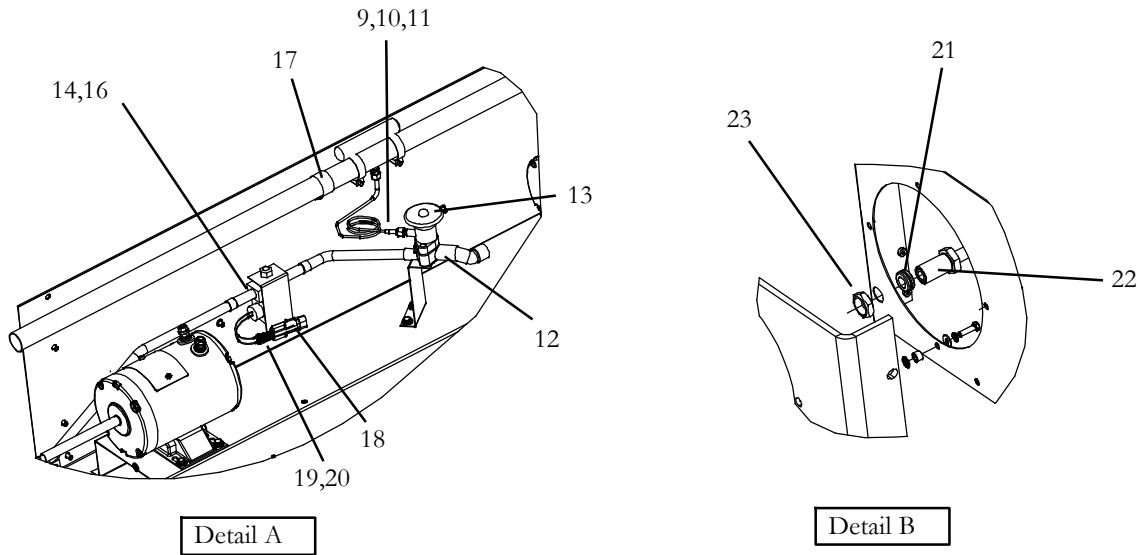
1.8.1 EVAPORATOR, EM-17, CHASSIS KITS 77-62000-31 & Y53-E1702-00: OPTION 4



Item	Part Number	Description	Qty
1	21-2041	Coil, Evaporator, (Was 08-62006-00)	1
2	AC501-122	Motor, Evaporator, (Leeson) - Includes:	2
N/S	22-50091-00Brush, Motor	2
N/S	04-50023-00Bearing, Motor	2
3	AC401-215	Blower Wheel, Roadside	1
4	AC401-220	Blower Wheel, Curbside	1
5	40-00491-01	Fitting, 1-11/16 ORS	1
6	34-06088-01	Nut, Hex, 1-5/8-12 ORS	1
7	22-62333-00	Wire Harness	NSI
8	AC022-314	Baffle, Drain Pan	1
N/S	AC801-443	Filter, Return Air	1



1.8.1 EVAPORATOR, EM-17, CHASSIS KITS 77-62000-31 & Y53-E1702-00: OPTION 4 (Continued)



Item	Part Number	Description	Qty
9	56-62134-00	Tube Assy, Equalizer	1
10	14-00351-00	Core, Schrader	5
11	40-01124-00	Valve Body, Schrader (solder to 1/4" flare)	6
12	66-U---1--1214-5	Body, Flange TXV	1
13	14-01104-39	Valve, Expansion	1
14	AC101-422	Valve, Liquid Line Solenoid, (Less Coil)	1
15	14-50047-00	Repair Kit For Solenoid Valve AC101-422	1
16	22-50030-00	Coil, 24VDC	1
17	44-00337-12	Clamp, Cushioned, 1.125 ID (High Temp)	1
18	22-02392-01	Connector, 2 Pin Weatherpac (Delphi# 12034074)	1
19	22-02393-01	Terminal, Male, 18-20 AWG (Delphi# 12089040)	2
20	22-02394-01	Seal, Cable, Blue (Delphi# 15324981)	2
21	58-00065-27	Grommet, .62 ID x .88 OD	1
22	40-00491-15	Fitting, 5/8 ODF x 1.00 ORS	1
23	34-06088-04	Nut, Hex, ORS 1-14	1



NOTE: Complete Wire Harnesses are Non-Stock Items. Replacement Components are Listed and can be cross referenced to supplier part number in manual T-375PL.

1.8.2 EVAPORATOR, EM-17, WIRE HARNESS, OPTION 1



REF: 22-62333-00

Item	Part Number	Description	Qty
1	22-01585-00	Connector, Tower, Weatherpac (Delphi# 12015792)	1
2	22-01566-01	Terminal, Female, 18-20 AWG (Delphi# 12089188)	6
3	22-02394-02	Seal, Weatherpac (Delphi# 15324982)	8
4	22-02392-00	Connector, Shroud, Weatherpac (Delphi# 12010973)	1
5	22-02393-01	Terminal, Male, 18-20 AWG (Delphi# 12089040)	2
6	22-01140-02	Terminal, Ring, #10 - 12 AWG (Amp# 35109)	4
7	22-00119-05	Terminal, Ring, 5/16" - 12 AWG (Amp# 2-34172-1)	4



NOTE: Complete Wire Harnesses are Non-Stock Items. Replacement Components are Listed and can be cross referenced to supplier part number in manual T-375PL.

1.8.2 EVAPORATOR, EM-17, WIRE HARNESS, OPTION 2



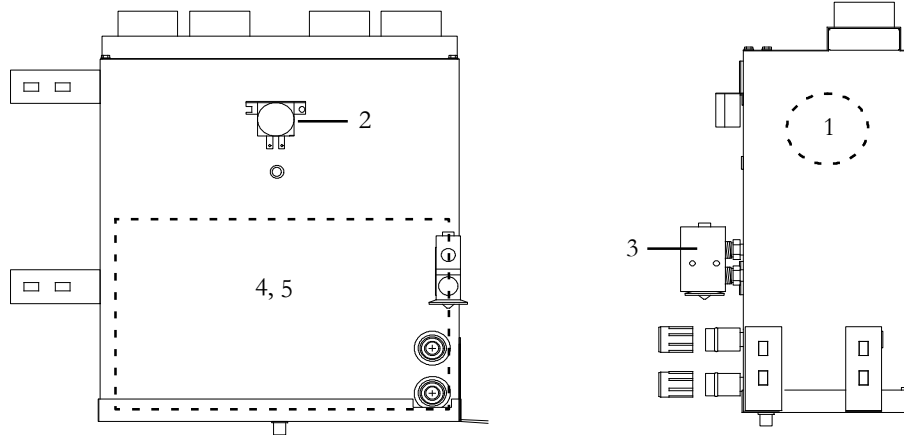
REF: 22-62035-00

Item	Part Number	Description	Qty
1	AC201-951	Connector, Tower, 6 Way Weatherpac (Delphi# 12015799)	1
2	22-01566-01	Terminal, Female, 18-20 AWG (Delphi# 12089188)	18
3	22-02394-02	Seal, Weatherpac (Delphi# 15324982)	24
4	AC201-952	Connector, Shroud, 6 Way Weatherpac (Delphi# 12010975)	1
5	22-02393-01	Terminal, Male, 18-20 AWG (Delphi# 12089040)	6
6	22-01140-02	Terminal, Ring, #10 - 12 AWG (AMP# 35109)	4
7	22-00119-05	Terminal, Ring, 5/16" - 12 AWG (AMP# 2-34172-1)	4
8	22-00872-01	Terminal, Ring, #10 - 8 AWG (AMP# 52263-1)	2



SECTION 1.9 EM-23 EVAPORATORS

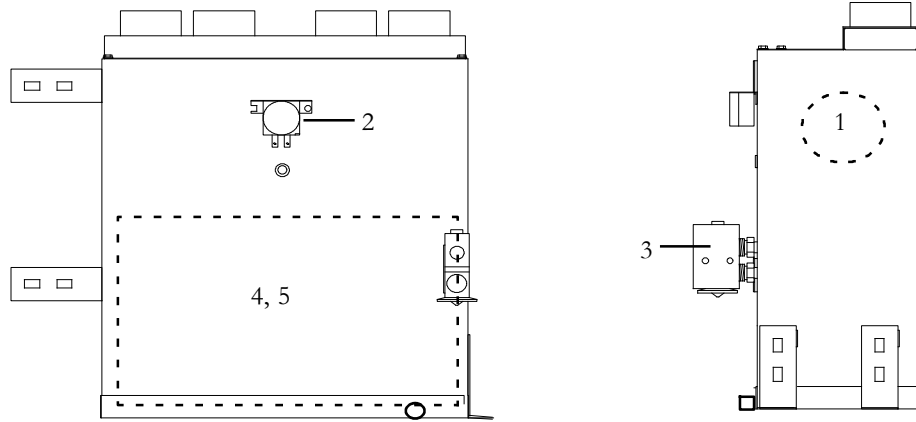
1.9.1 EVAPORATOR KIT, EM-23, HEAT/COOL (77-62725-00)



Item	Part Number	Description	Qty
1	54-50107-00	Blower & Motor Assembly, 12 VDC	1
2	12-50139-00	Switch, Freeze Thermostat	1
3	14-00397-00	Valve, Expansion, TXV, Block Type	1
4	N/A	Coil Assembly, Cool/Heat, Evaporator	1
N/S	58-50119-00	Hose Assembly, Discharge, 10MM x 6.58	1
N/S	58-50120-00	Hose Assembly, Liquid Refrigerant, 8MM x 7.17	1
N/S	26-0014	Drier, Switch Port-Receiver (Superseded from AC101-311)	1
N/S	N/A	Switch, Hi/Low Pressure	1
N/S	58-50121-00	Hose Assembly, Liquid Refrigerant, 8MM x 3.00	1
N/S	58-50122-00	Hose Assembly, Suction, 5/16 x 25.25	1
5	38-50032-00	Filter, Evaporator, (.44 Thick x 12.00 x 12.00 Inches)	1
N/S	N/A	Control Head, IC, EM-23 Heat/Cool - Includes:	1
N/S	10-50067-00Switch, AC, Heat & Vent, 3 Position	1
N/S	10-50068-00Switch, Blower Speed Control, 4 Position	1
N/S	10-50069-00Relay, High Speed & Power	2
N/S	N/A	Kit, Parts, Installation - Includes:	1
N/S	AC801-412F25Gasket, Trimlock, Black (25 Ft. Roll)	1
N/S	42-00032-00Tape, Insulation, Presstite, 2.00 Inch X 30 Feet Long	1
N/S	AC301-240Kazoo, Condensate Valve, 5/8 O.D.	1
N/S	14-50097-00Valve, Solenoid, Water, 1/2 Inch NPT (Includes Solenoid Coil)	1
N/S	AC201-105Breaker, Circuit, 20 Amp (Manual Reset)	2
N/S	58-50116-00Louver, Rectangular	3
N/S	23-0582Louver Assembly, Vane, With 2-1/2" Adaptor (Superseded from 58-50117-00)	1



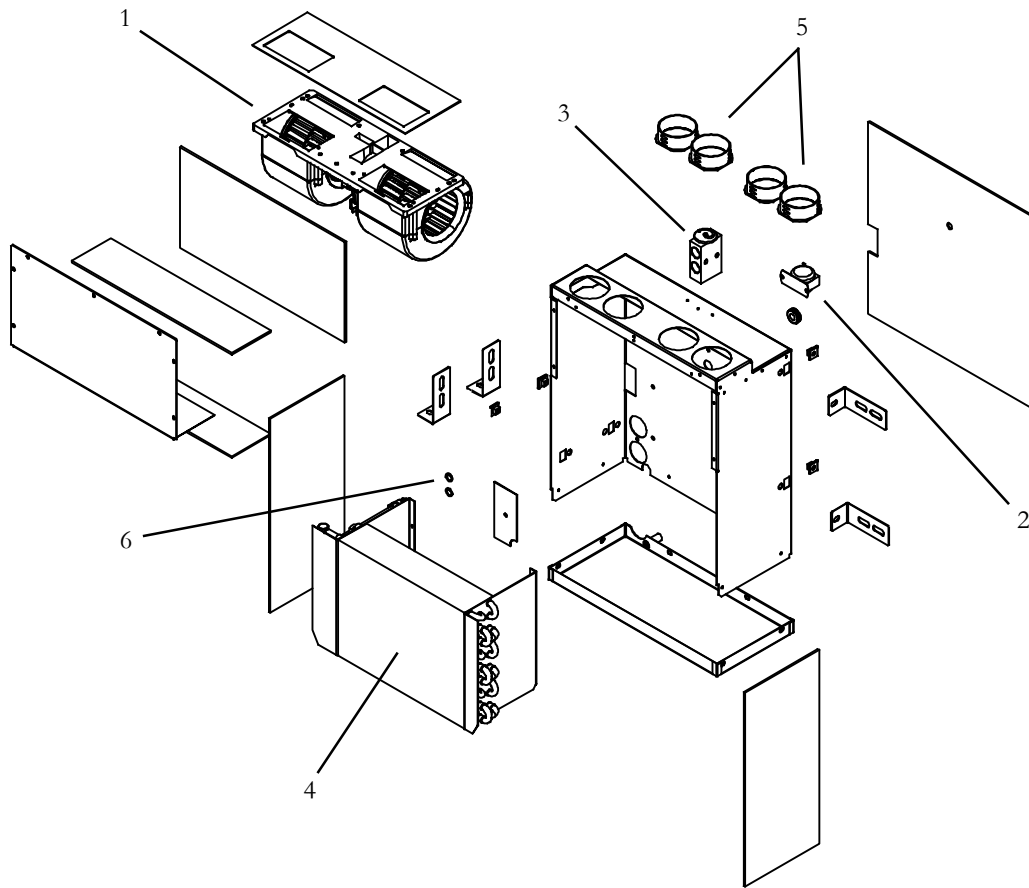
1.9.2 EVAPORATOR KIT, EM-23 - COOL ONLY (77-62204-00)



Item	Part Number	Description	Qty
1	54-50107-00	Blower & Motor Assembly, 12 VDC	1
2	12-50139-00	Switch, Freeze Thermostat	1
3	14-00397-00	Valve, Expansion, TXV, Block Type	1
4	N/A	Coil Assembly, Cool Only, Evaporator	1
N/S	58-50119-00	Hose Assembly, Discharge, 10MM x 6.58	1
N/S	58-50120-00	Hose Assembly, Liquid Refrigerant, 8MM x 7.17	1
N/S	26-0014	Drier, Switch Port-Receiver (Superseded from AC101-311)	1
N/S	N/A	Switch, Hi/Low Pressure	1
N/S	58-50121-00	Hose Assembly, Liquid Refrigerant, 8MM x 3.00	1
N/S	58-50122-00	Hose Assembly, Suction, 5/16 x 25.25	1
5	38-50032-00	Filter, Evaporator, (.44 Thick x 12.00 x 12.00 Inches)	1
N/S	N/A	Kit, Parts, Installation - Includes:	1
N/S	AC801-412F25Gasket, Trimlock, Black (25 Ft. Roll)	1
N/S	42-00032-00Tape, Insulation, Presstite, 2.00 Inch X 30 Feet Long	1
N/S	AC301-240Kazoo, Condensate Valve, 5/8 O.D.	1
N/S	AC201-105Breaker, Circuit, 20 Amp (Manual Reset)	2
N/S	N/A	Kit, Duct, IC - Includes:	1
N/S	23-0582Louver Assembly, Vane, With 2-1/2" adapter (Superseded from 58-50117-00)	4



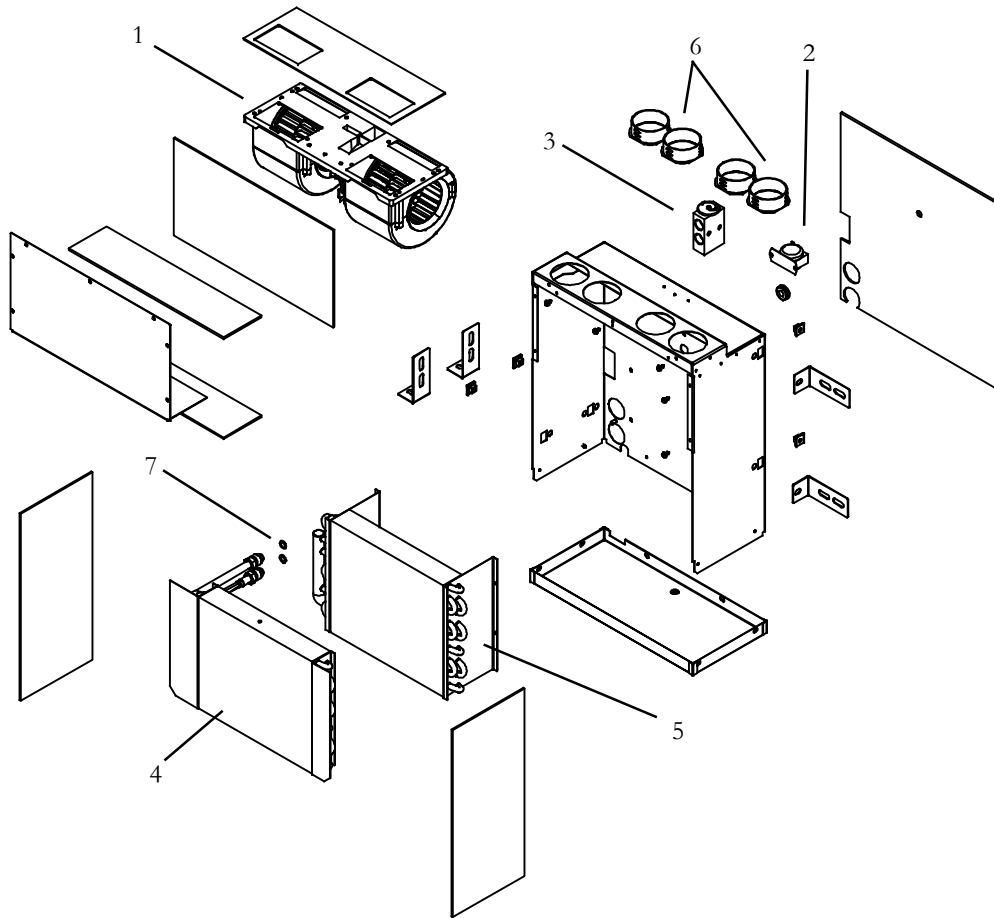
1.9.3 EVAPORATOR KIT, EM-23 - COOL ONLY 13-20323



Item	Part Number	Description	Qty
1	15-1505	Blower & Motor Assembly, 12 VDC	1
2	25-1163	Switch, Freeze Thermostat	1
3	26-0190	Valve, Expansion, TXV, Block Type	1
4	21-1920	Coil Assembly, Evaporator	1
5	23-0038	Hose Adaptor, 2.5"	4
6	27-0602	O-Rings, #8	2



1.9.4 EVAPORATOR KIT, EM-23 - HEAT/COOL 13-20301

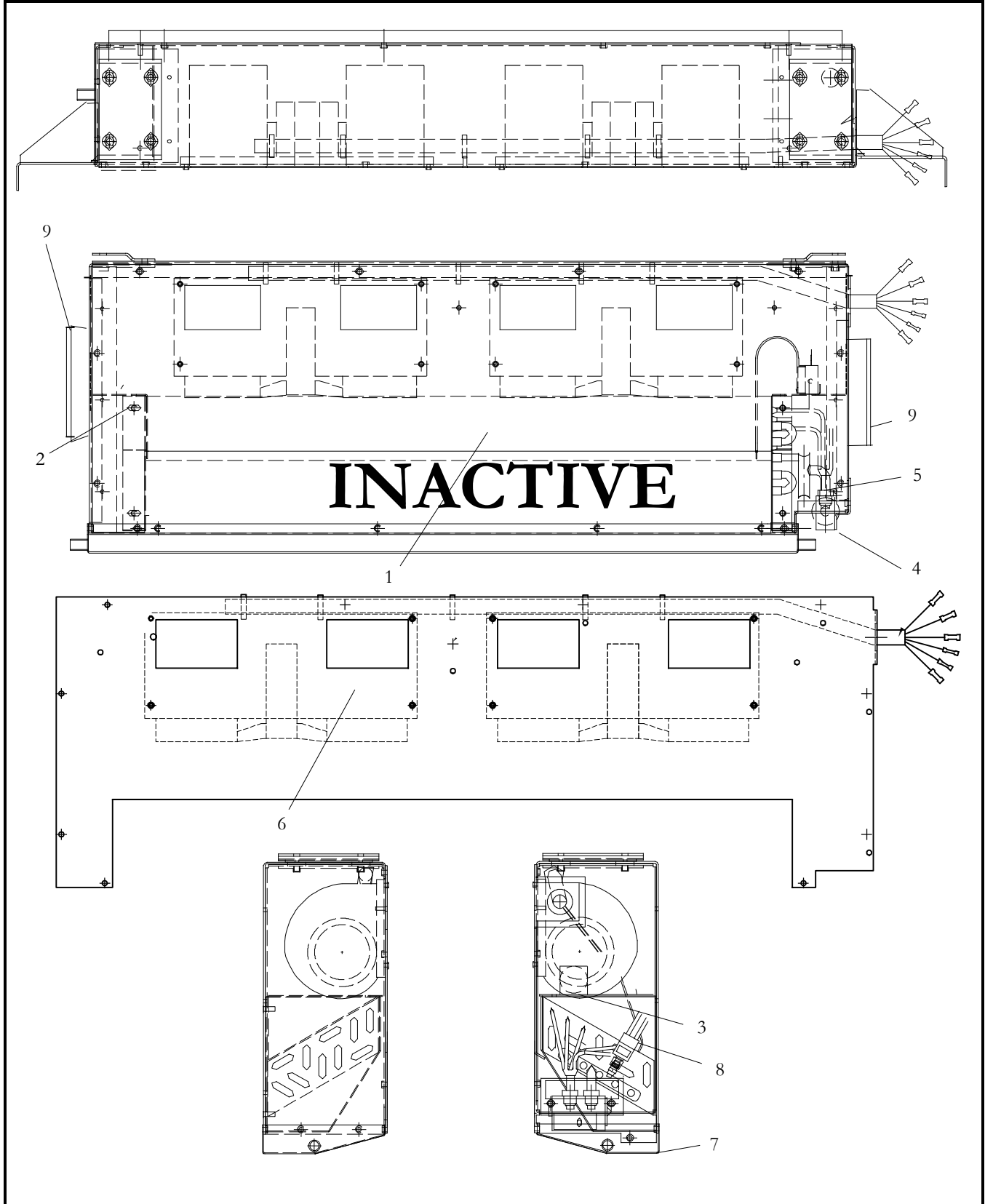


Item	Part Number	Description	Qty
1	15-1505	Blower & Motor Assembly, 12 VDC	1
2	25-1163	Switch, Freeze Thermostat	1
3	26-0190	Valve, Expansion, TXV, Block Type	1
4	21-1948	Coil Assembly, Evaporator	1
5	22-1245	Coil Assembly, Heater	1
6	23-0038	Hose Adaptor, 2.5"	4
7	27-0602	O-Rings, #8	2



SECTION 1.10 IW-1 IN-WALL EVAPORATORS

1.10.1 EVAPORATOR, IW-1, (77-62081-11)

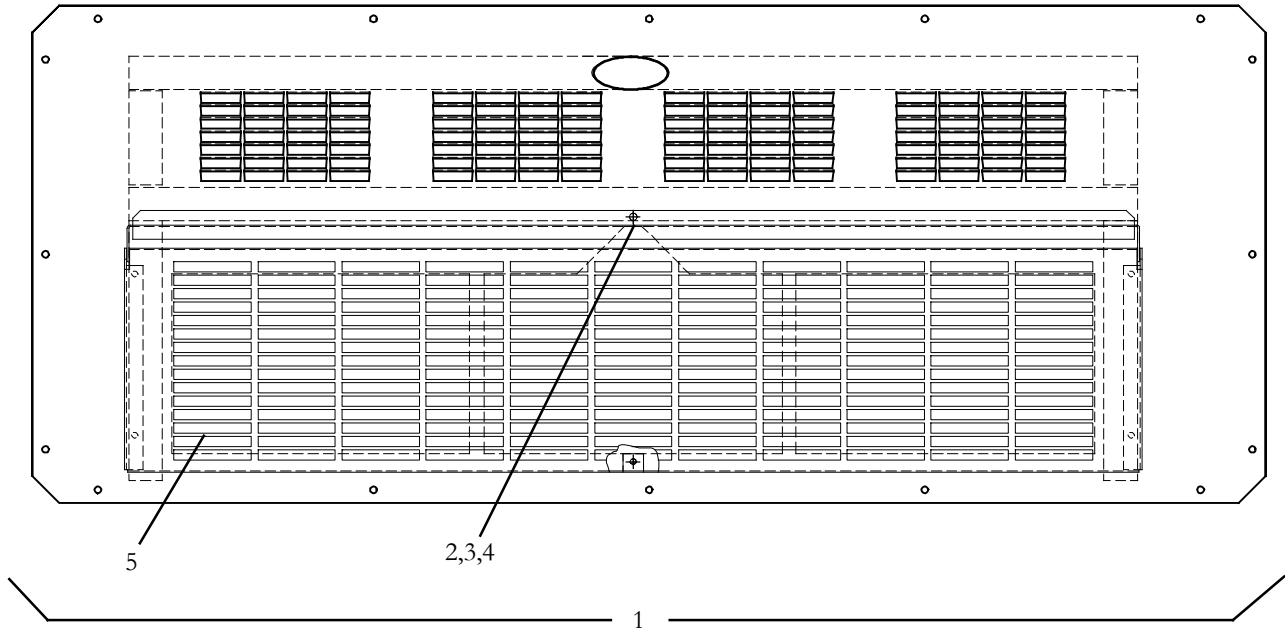




1.10.1 EVAPORATOR, IW-1, (77-62081-11) - Continued:			
Item	Part Number	Description	Qty
1	08-01068-00	Coil Assembly, EM-1, GEN V	1
2	AC701-101	Clip, Tinnerman, 1/4-20	4
3	12-00685-00	Thermostat, Freeze-Up, Non Adjustable	1
4	14-00397-00	Thermal Expansion Block Valve, (R134a)	1
5	AC801-202	O-Ring, 1/2 Inch HNBR (Package of 10)	1
6	AC040-074	Blower Assembly, 12 VDC	2
7	86-62243-00	Drain Pan Assembly	1
8	AC201-412	Switch, Pressure, Low	1
9	68-63217-00	Bracket, Mounting	NSI



1.10.2 EVAPORATOR, IW-1 - GRILL ASSEMBLY (79-62056-00)



INACTIVE

Item	Part Number	Description	Qty
1	79-62056-00	Grill Assembly IW-1, Includes:	1
2	34-62019-00Receptacle, 1/4 Turn	1
3	34-62020-00Stud, 1/4 Turn, .25 Grip Range	1
4	34-06169-01Washer, Retaining, .215 I. D.	1
5	38-00573-01Filter, Air, 36.50 X 9.00 X .12, EM-1	1



**OPTION TABLE - IW-1,
12 VDC - 3 Speed**

MODEL IW-1 77-62160	Cover Kit <small>(see Section 1.10.6)</small>	Chassis Kit <small>(see Section 1.10.3)</small>	Wire Harness <small>(see Section 1.10.4)</small>	Mount Brackets <small>(see Section 1.10.5)</small>
-00	1	1	1	1
-01	2	1	2	2
-02	-	1	1	-
-03	11	1	1	1
-04	3	1	1	1
-05	6	1	1	1
-06	4	1	1	3
-07	5	1	1	1
-10	6	1	3	4
-11	5	1	3	4
-12	7	1	1	5
-13	7	1	1	5
-14	6	1	1	6
-20	9	1	1	5
-21	9	1	1	5
-22	8	1	1	4
-23	8	1	1	4
-24	10	1	1	-
-25	10	1	1	-
-26	5	1	3	4
-27	11	1	1	-
-28	6	1	1	1
-29	6	1	1	1
-30	-	1	1	7
-31	-	1	5	7
-32	13	1	1	1
-33	13	1	1	1
-36	2	1	1	-
-81	6	1	1	1
-83	6	1	1	1
-86	6	1	1	4

**OPTION TABLE - IW-1,
24 VDC**

MODEL IW-1 77-62160	Cover Kit <small>(see Section 1.10.6)</small>	Chassis Kit <small>(see Section 1.10.3)</small>	Wire Harness <small>(see Section 1.10.4)</small>	Mount Brackets <small>(see Section 1.10.5)</small>
-15	11	1	2	1
-16	6	1	2	1
-17	6	1	2	1
-18	12	1	1	1
-19	2	1	2	2

**OPTION TABLE - IW-1,
Variable Speed**

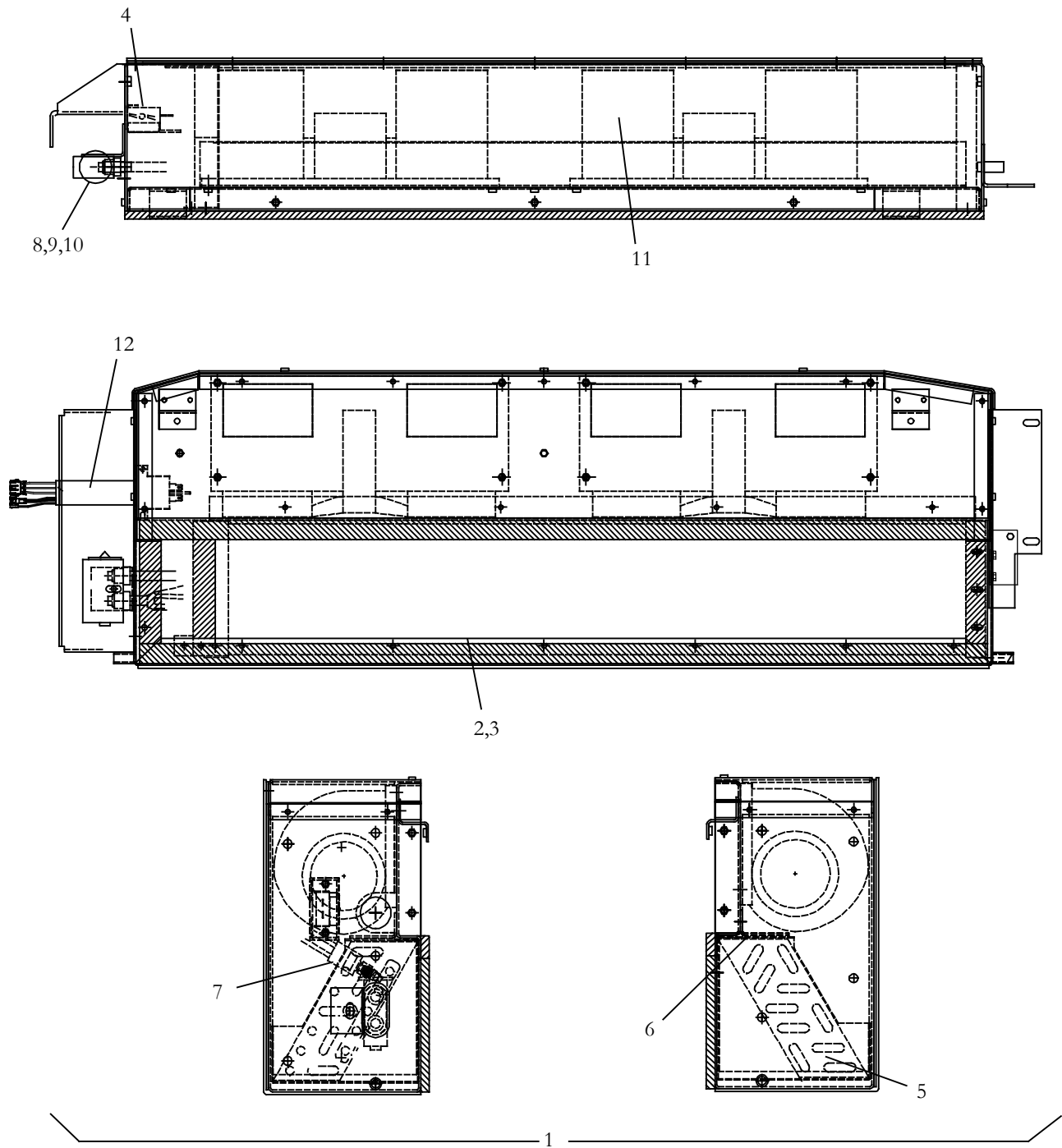
MODEL IW-1 77-62160	Cover Kit <small>(see Section 1.10.6)</small>	Chassis Kit <small>(see Section 1.10.3)</small>	Wire Harness <small>(see Section 1.10.4)</small>	Mount Brackets <small>(see Section 1.10.5)</small>
-09	1	1	4	-

**OPTION TABLE - IW-1,
3 Speed - 12VDC**

MODEL IW-1 Y19-IW101	Cover Kit <small>(see Section 1.10.6)</small>	Chassis Kit <small>(see Section 1.10.3)</small>	Wire Harness <small>(see Section 1.10.4)</small>	Mount Brackets <small>(see Section 1.10.5)</small>
-00	-	2	6	7



1.10.3 EVAPORATOR, IW-1, COMMON PARTS USED ON 77-62160-XX UNITS: Option 1

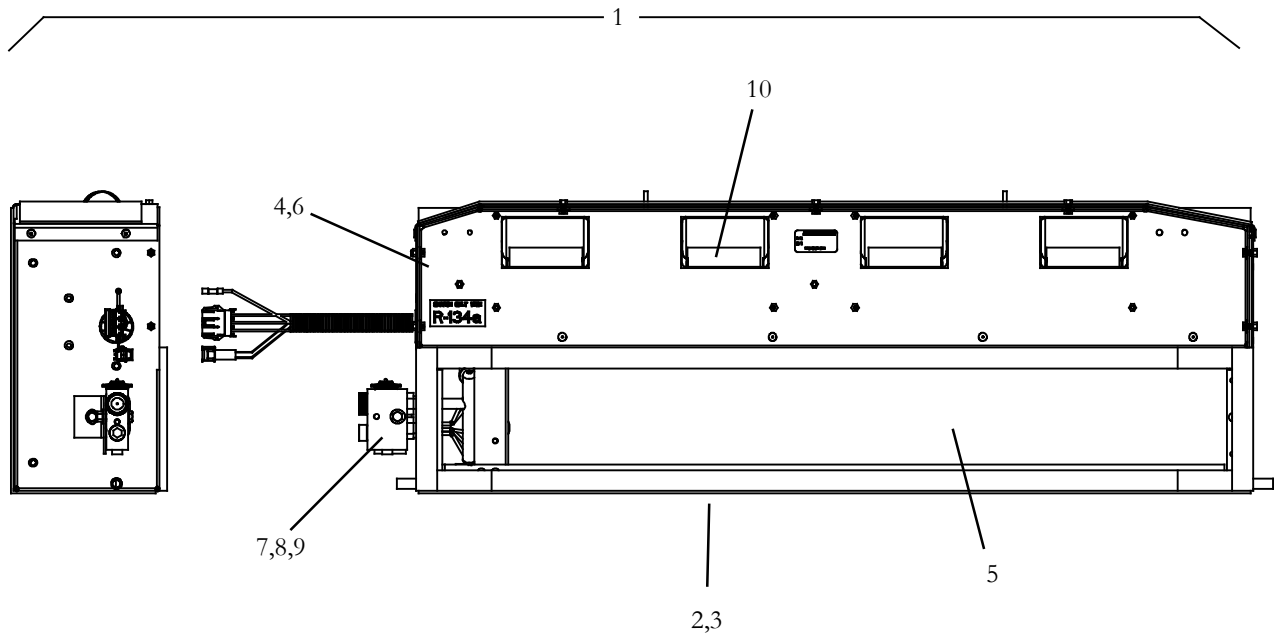




1.10.3 EVAPORATOR ASSEMBLY, IW-1, COMMON PARTS USED ON 77-62160-XX UNITS : Option 1 (Continued)			
Item	Part Number	Description	Qty
1	-	...Evaporator Assy, IW-1, Includes:	NSI
2	86-62460-00Drain Pan Assembly	1
3	022-313-1Baffle, Drain Pan	1
4	12-00685-00Thermostat, Freeze-Up, Non Adjustable	1
5	08-62056-01Coil Assembly, Evaporator, IW-1	1
6	NSIGasket, Coil, .125 Inch Thick X 3 X 34.18	1
7	AC201-412Switch, Pressure, Low	1
8	AC801-202O-Ring, 1/2 Inch HNBR	2
9	14-00397-00Valve, Thermal Expansion, (R134a)	1
10	42-00032-00Tape, Insulation, Prestite	1
11	AC401-202Fan & Motor Assembly, 12 VDC	2
	54-00546-03Fan & Motor Assembly, 24 VDC	2
12	-Harness, Wiring, (See Section 1.10.4)	NSI
N.S.	12-00305-07Thermistor, Ring Sensor (Used on 77-00303-08 ONLY)	1



1.10.3 EVAPORATOR, IW-1, COMMON PARTS USED ON CHASSIS Y73-IW101-00: Option 2

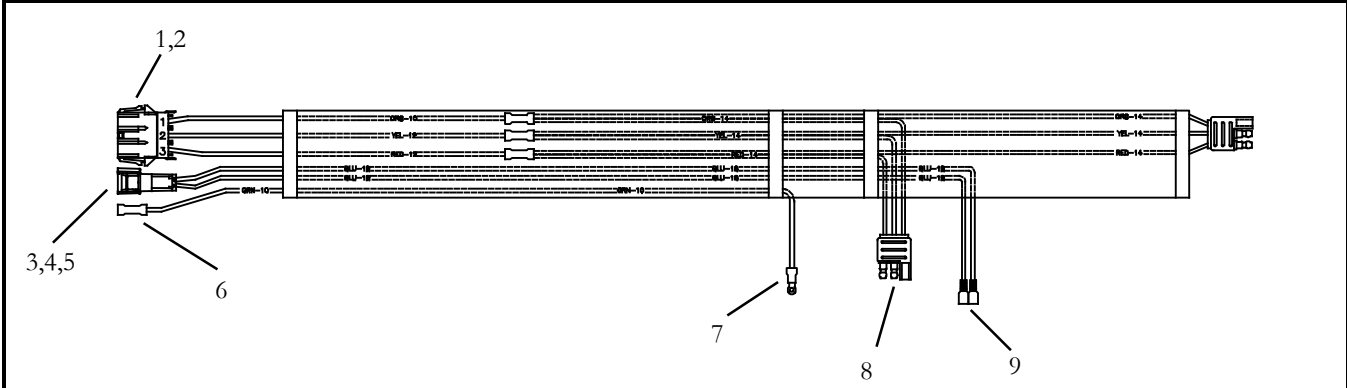


Item	Part Number	Description	Qty
1	Y73-IW101-00	...Evaporator Assy, IW-1, Variable Speed - 12 VDC Includes:	NSI
2	86-62460-00Drain Pan Assembly	1
3	022-313-1Baffle, Drain Pan	1
4	12-00685-00Thermostat, Freeze-Up, Non Adjustable	1
5	08-62056-01Coil Assembly, Evaporator, IW-1	1
6	AC201-412Switch, Pressure, Low	1
7	AC801-202O-Ring, 1/2 Inch HNBR	2
8	14-00397-00Valve, Thermal Expansion, (R134a)	1
9	42-00032-00Tape, Insulation, Prestite	1
10	Y15-00003-00Fan & Motor Assembly, 12 VDC	2



NOTE: Complete Wire Harnesses are Non-Stock Items. Replacement Components are Listed and can be cross referenced to supplier part number in manual T-375PL.

1.10.4 EVAPORATOR HARNESS, IW-1 12VDC (22-62282-00): OPTION 1

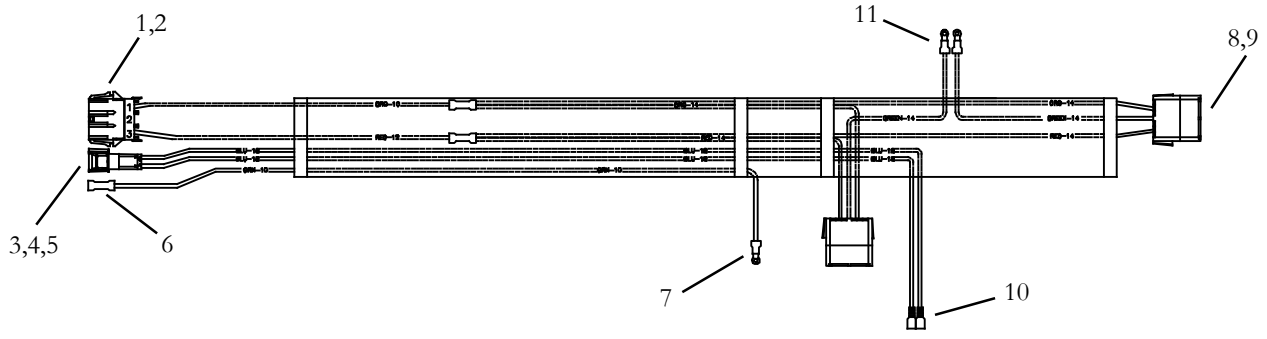


Item	Part Number	Description	Qty
1	22-50099-32	Connector, Plug Housing (3 position) (Molex P/N 42818-0312)	1
2	22-50099-32A	Terminal, Male, 10/12 AWG (Molex P/N 42817-0011)	3
3	22-50099-37	Connector, Male Unsealed (Delphi P/N 12129155)	1
4	22-50099-37A	Terminal, Male, 16/18 AWG (Delphi P/N 12034047)	2
5	22-50099-37D	Lock, Secondary (Delphi P/N 12129157)	1
6	22-00066-03	Terminal, Butt Splice, 10/12 AWG (Amp P/N 2-34072-2)	1
7	22-01140-02	Terminal, Ring #10, 10/12 AWG (Amp P/N 35109)	1
8	22-62002-00	Connector, Electrical	2
9	22-01258-01	Terminal, Female Push-on, 18/22 AWG (Amp P/N 2-5200184-2)	2



NOTE: Complete Wire Harnesses are Non-Stock Items. Replacement Components are Listed and can be cross referenced to supplier part number in manual T-375PL.

1.10.4 EVAPORATOR HARNESS, IW-1 24VDC (22-62299-00): OPTION 2

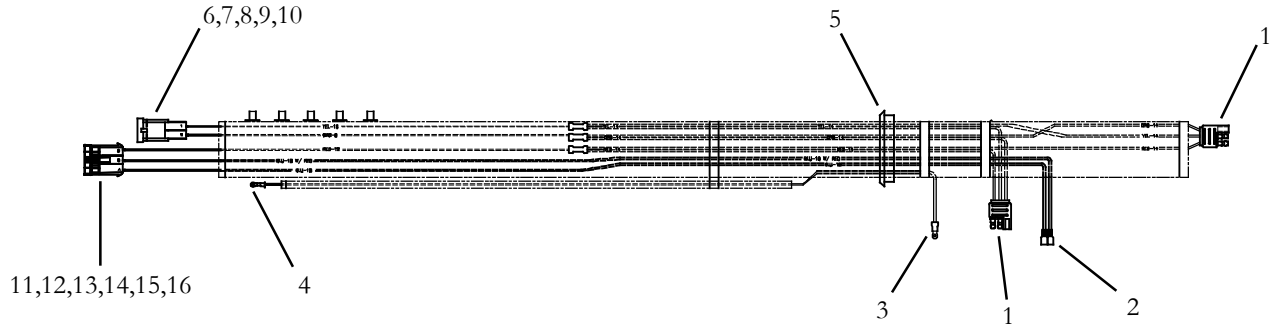


Item	Part Number	Description	Qty
1	22-50099-32	Connector, Plug Housing (3 position) (Molex P/N 42818-0312)	1
2	22-50099-32A	Terminal, Male, 10/12 AWG (Molex P/N 42817-0011)	3
3	22-50099-37	Connector, Male Unsealed (Delphi P/N 12129155)	1
4	22-50099-37A	Terminal, Male, 16/18 AWG (Delphi P/N 12034047)	2
5	22-50099-37D	Lock, Secondary (Delphi P/N 12129157)	1
6	22-00066-03	Terminal, Butt Splice, 10/12 AWG (Amp P/N 2-34072-2)	1
7	22-01140-02	Terminal, Ring #10, 10/12 AWG (Amp P/N 35109)	1
8	22-60254-08	Receptacle Housing, (4 position) (TE Connectivity P/N 180900-0)	2
9	22-60254-27	Terminal, Female, 14 AWG (TE Connectivity P/N 5-160446-5)	6
10	22-01258-01	Terminal, Female Push-on, 18/22 AWG (Amp P/N 2-5200184-2)	2
11	22-01139-02	Terminal, Ring #10, 14/16 AWG (Tyco P/N 51-864-2)	2



NOTE: Complete Wire Harnesses are Non-Stock Items. Replacement Components are Listed and can be cross referenced to supplier part number in manual T-375PL.

1.10.4 EVAPORATOR HARNESS, IW-1 12VDC (22-62274-00): OPTION 3

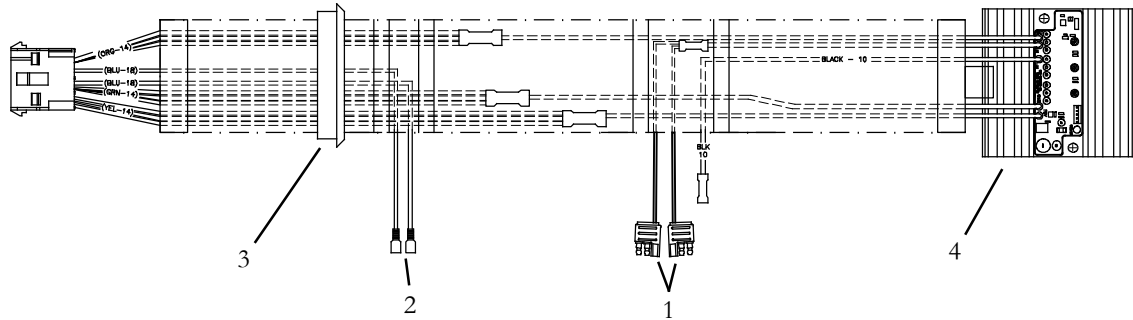


Item	Part Number	Description	Qty
1	N/A	Connector, Plug (Motor)	2
2	22-01258-01	Terminal, Female Push-On, 18/22 AWG (Amp P/N 2-520184-2)	2
3	22-00872-01	Terminal, Ring #10, 8 AWG (Amp P/N 52263-1)	1
4	22-00872-03	Terminal, Ring 5/16 , 8 AWG (Amp P/N 52291)	1
5	58-00661-07	Bushing	1
6	22-50098-67	Connector, Male, 2 position (Tyco P/N 1544334-1)	1
7	22-50098-67B	Terminal, Male, 8 AWG (Tyco P/N 1544333-1)	1
8	22-50098-67D	Cable Seal, 8 AWG (Tyco P/N 1544316-2)	1
9	22-50098-67A	Terminal, Male, 10/12 AWG (Tyco P/N 1544332-1)	1
10	22-50098-67C	Cable Seal, 10/12 AWG (Tyco P/N 1544316-1)	1
11	22-50078-86	Connector, Male, 3 position (Packard P/N 12124686)	1
12	22-50078-49A	Terminal, Male, 18 AWG (Packard P/N 12064734)	2
13	22-50078-53C	Cable Seal, 18 AWG (Packard P/N 12052388)	2
14	22-50078-49C	Terminal, Male, 12 AWG (Packard P/N 12064737)	1
15	22-50078-53D	Cable Seal, 12 AWG (Packard P/N 15324996)	1
16	22-50078-86A	Lock, Secondary (Packard P/N 12045772)	1



NOTE: Complete Wire Harnesses are Non-Stock Items. Replacement Components are Listed and can be cross referenced to supplier part number in manual T-375PL.

1.10.4 EVAPORATOR HARNESS, IW-1, Variable Speed 12VDC (22-62239-00): OPTION 4

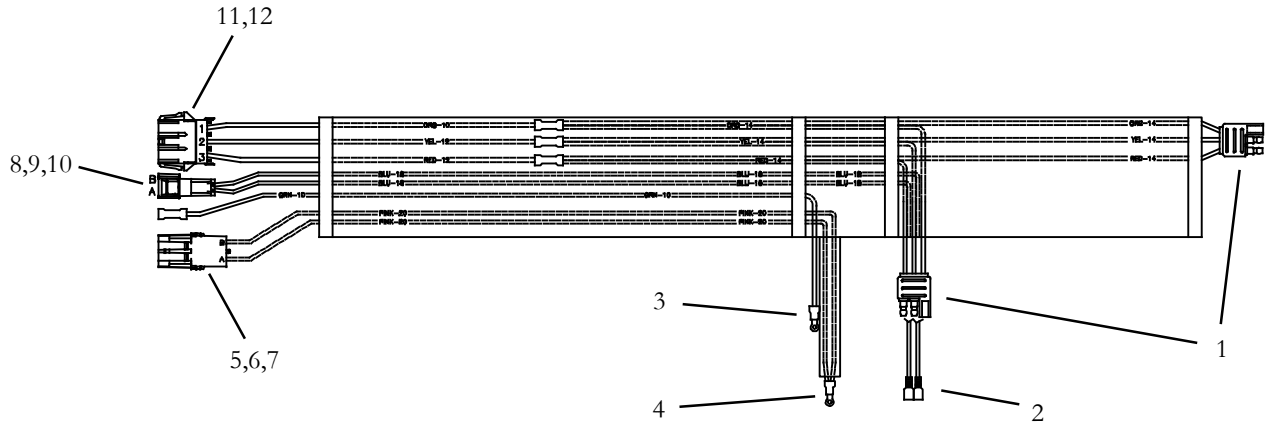


Item	Part Number	Description	Qty
1	N/A	Connector, Plug (Motor)	2
2	22-01258-01	Terminal, Female Push-On, 18/22 AWG (Amp P/N 2-520184-2)	2
3	58-00661-07	Bushing	1
4	12-00533-01	Speed Controller w/Harness	1



NOTE: Complete Wire Harnesses are Non-Stock Items. Replacement Components are Listed and can be cross referenced to supplier part number in manual T-375PL.

1.10.4 EVAPORATOR HARNESS, IW-1, EnviorMATE 12VDC (Y25-00059-00): OPTION 5

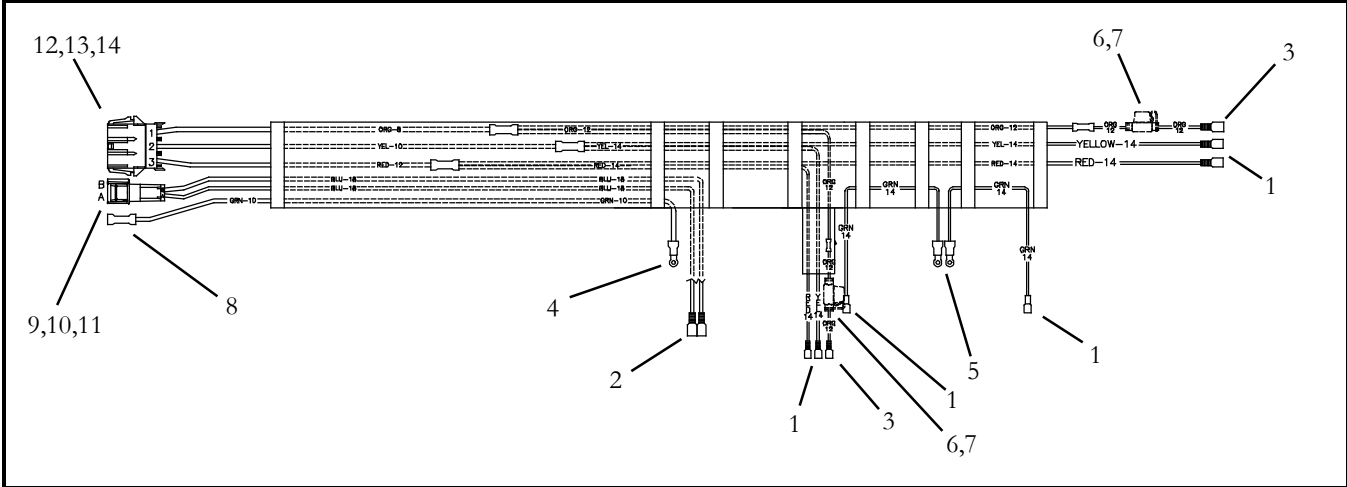


Item	Part Number	Description	Qty
1	N/A	Connector, Plug (Motor)	2
2	22-01258-01	Terminal, Female Push-On, 18/22 AWG (Amp P/N 2-520184-2)	2
3	22-01140-02	Terminal, Ring #10, 12/10 AWG (Amp P/N 35109)	1
4	12-00495-02SV	Thermistor, Fenwal Ring (Was 12-00305-04, Superseded)	1
5	22-02392-00	Connector, Male, 2 position W/P (Packard/Delphi P/N 12010973)	1
6	22-02393-01	. . . Terminal, Male, 20/18 AWG (Packard P/N 120890400)	2
7	22-02394-00	. . . Cable Seal (Packard P/N 15324980)	2
8	22-50099-37	Connector, Male, Unsealed (Delphi P/N 12129155)	1
9	22-50099-37A	. . . Terminal, Male, 16/18 AWG (Delphi P/N 120340470)	2
10	22-50099-37D	. . . TPA (Delphi P/N 12129157)	1
11	22-50099-32	Connector, Plug Housing 3 Way (Molex P/N 42818-0312)	1
12	22-50099-32A	. . . Terminal, Male, 10/12 AWG (Molex P/N 42817-0011)	3



NOTE: Complete Wire Harnesses are Non-Stock Items. Replacement Components are Listed and can be cross referenced to supplier part number in manual T-375PL.

1.10.4 EVAPORATOR HARNESS, IW-1, 12VDC (Y25-00106-01): OPTION 6

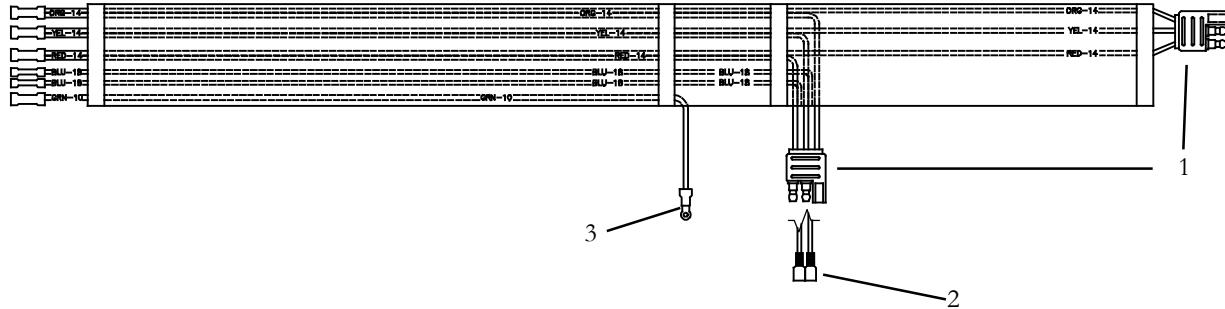


Item	Part Number	Description	Qty
1	22-01141-01	Terminal, Female Push-On, 16/14 AWG (Amp P/N 3-35089-2)	6
2	22-01258-01	Terminal, Female Push-On, 18/22 AWG (Amp P/N 2-520184-2)	2
3	31-1247	Terminal, Female Push-On, 12/10 AWG (Amp P/N 4-520447-2)	2
4	22-01140-02	Terminal, Ring #10, 12/10 AWG (Amp P/N 35109)	1
5	22-01139-02	Terminal, Ring #10, 16/14 AWG (Tyco P/N 51864-2)	2
6	22-02338-07	Fuse Holder w/Cap (Littlefuse P/N FHM0002)	2
7	22-02336-26	Fuse, Mini, 25A (Littlefuse P/N 297025)	1
8	22-00066-03	Terminal, Butt Splice 12/10 AWG (Amp P/N 2-34072-2)	2
9	22-50099-37	Connector, Male, Unsealed (Delphi P/N 12129155)	1
10	22-50099-37A	... Terminal, Male, 16/18 AWG (Delphi P/N 120340470)	2
11	22-50099-37D	... TPA (Delphi P/N 12129157)	1
12	22-50099-32	Connector, Plug Housing 3 Way (Molex P/N 42818-0312)	1
13	22-50099-32A	... Terminal, Male, 10/12 AWG (Molex P/N 42817-0011)	2
14	22-50099-32B	... Terminal, Male, 8 AWG (Molex P/N 42817-0031)	1



NOTE: Complete Wire Harnesses are Non-Stock Items. Replacement Components are Listed and can be cross referenced to supplier part number in manual T-375PL.

1.10.4 EVAPORATOR HARNESS, IW-1, 12VDC (22-62240-00): OPTION 7

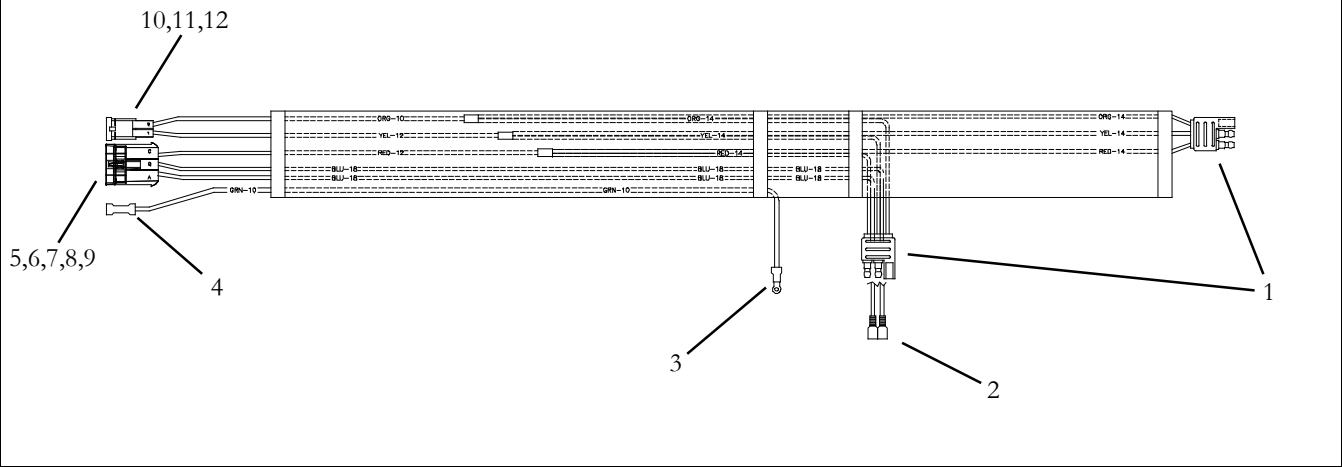


Item	Part Number	Description	Qty
1	N/A	Connector, Plug (Motor)	2
2	22-01258-01	Terminal, Female Push-On, 18/22 AWG (Amp P/N 2-520184-2)	2
3	22-01140-02	Terminal, Ring #10, 12/10 AWG (Amp P/N 35109)	1



NOTE: Complete Wire Harnesses are Non-Stock Items. Replacement Components are Listed and can be cross referenced to supplier part number in manual T-375PL.

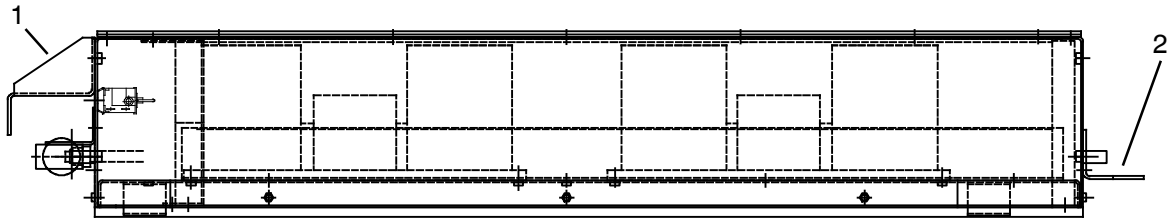
1.10.4 EVAPORATOR HARNESS, IW-1, 12VDC (Y25-00260-00): OPTION 8



Item	Part Number	Description	Qty
1	N/A	Connector, Plug (Motor)	2
2	22-01258-01	Terminal, Female Push-On, 18/22 AWG (Amp P/N 2-520184-2)	2
3	22-01140-02	Terminal, Ring #10, 12/10 AWG (Amp P/N 35109)	1
4	22-00066-03	Terminal, Butt Splice 12/10 AWG (Amp P/N 2-34072-2)	2
5	22-50078-86	Connector, Male, 3 position (Packard P/N 12124686)	1
6	22-50078-49A	Terminal, Male, 18 AWG (Packard P/N 12064734)	2
7	-	Cable Seal, 18 AWG (Packard P/N 12059259)	2
8	22-50078-49C	Terminal, Male, 12 AWG (Packard P/N 12064737)	1
9	-	Cable Seal, 12 AWG (Packard P/N 12059260)	1
10	22-50098-67	Connector, Male, 2 position (Tyco P/N 1544334-1)	1
11	22-50098-67A	Terminal, Male, 10/12 AWG (Tyco P/N 1544332-1)	2
12	22-50098-67C	Cable Seal, 10/12 AWG (Tyco P/N 1544316-1)	2

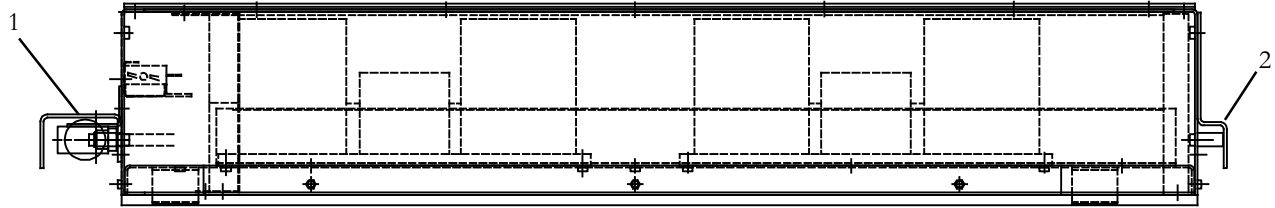


1.10.5 EVAPORATOR, IW-1, BRACKETS: OPTION 1



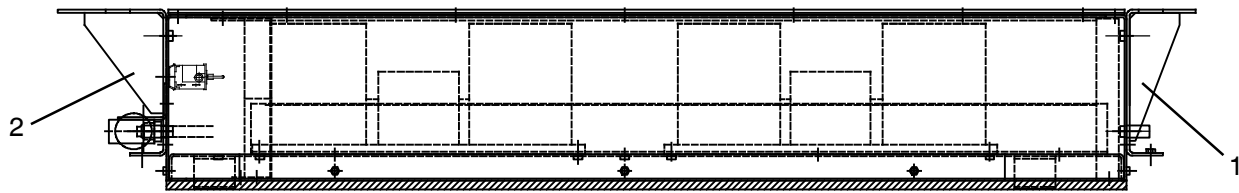
Item	Part Number	Description	Qty
1	68-63416-00Bracket, Hanger, Evaporator Mounting	NSI
2	68-63417-00Bracket, Hanger, Evaporator Mounting	NSI

1.10.5 EVAPORATOR, IW-1, BRACKETS : OPTION 2



Item	Part Number	Description	Qty
1	68-63440-00Bracket, Hanger, Evaporator Mounting	NSI
2	68-63441-00Bracket, Hanger, Evaporator Mounting	NSI

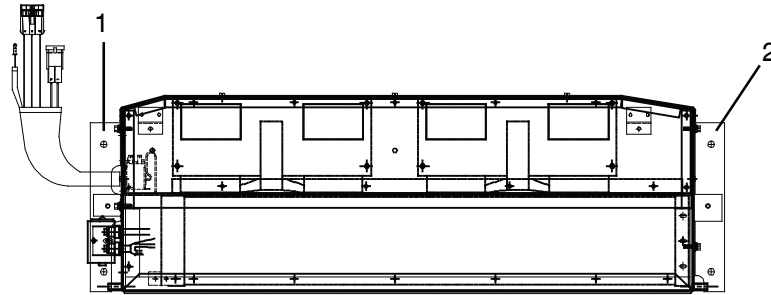
1.10.5 EVAPORATOR, IW-1, BRACKETS : OPTION 3



Item	Part Number	Description	Qty
1	86-62577-00Weld Assembly, IW-1	NSI
2	86-62437-00Weld Assembly, IW-1	NSI

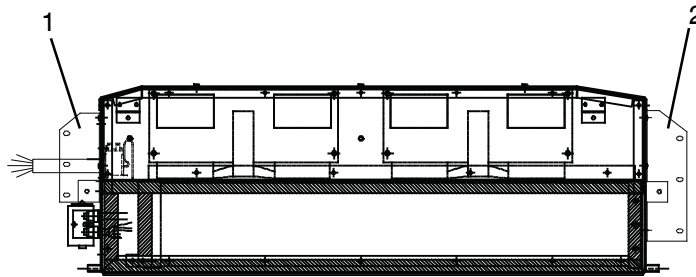


1.10.5 EVAPORATOR, IW-1, BRACKETS: OPTION 4



Item	Part Number	Description	Qty
1	68-63756-00Bracket, Mounting	NSI
2	68-63757-00Bracket, Mounting	NSI

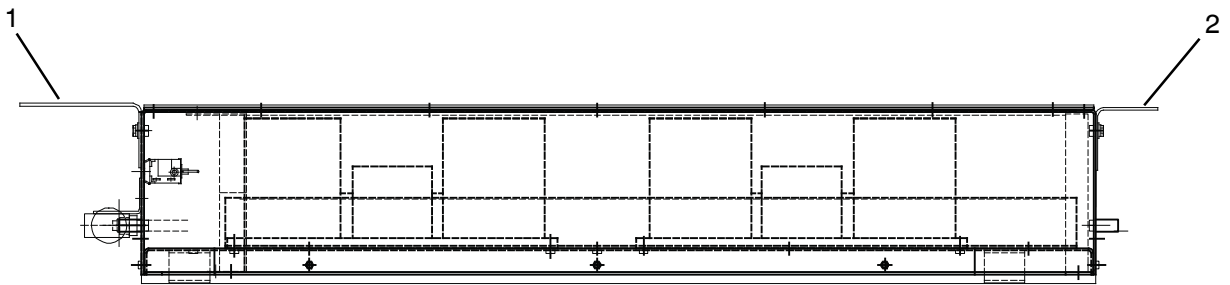
1.10.5 EVAPORATOR, IW-1, BRACKETS 21: OPTION 5



Item	Part Number	Description	Qty
1	68-63763-00Bracket, Mounting	NSI
2	68-63764-00Bracket, Mounting	NSI

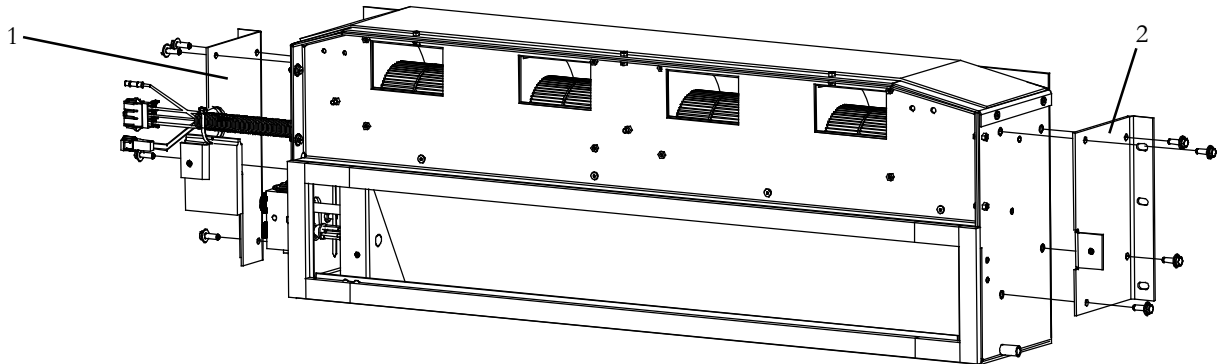


1.10.5 EVAPORATOR, IW-1, BRACKETS: OPTION 6



Item	Part Number	Description	Qty
1	68-08216-00Bracket, Mounting	NSI
2	68-08217-00Bracket, Mounting	NSI

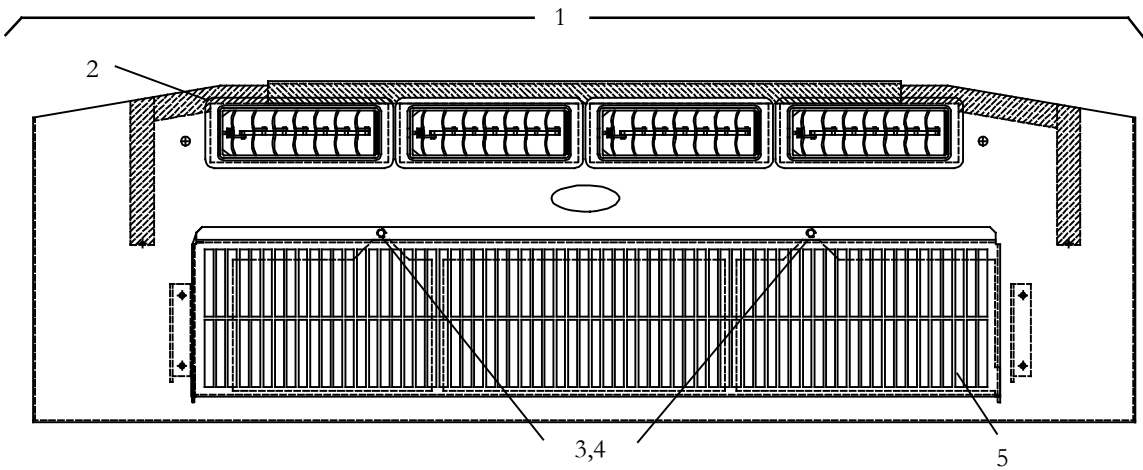
1.10.5 EVAPORATOR, IW-1, BRACKETS: OPTION 7



Item	Part Number	Description	Qty
1	Y24-00186-00Bracket, Mounting	NSI
2	Y24-00187-00Bracket, Mounting	NSI

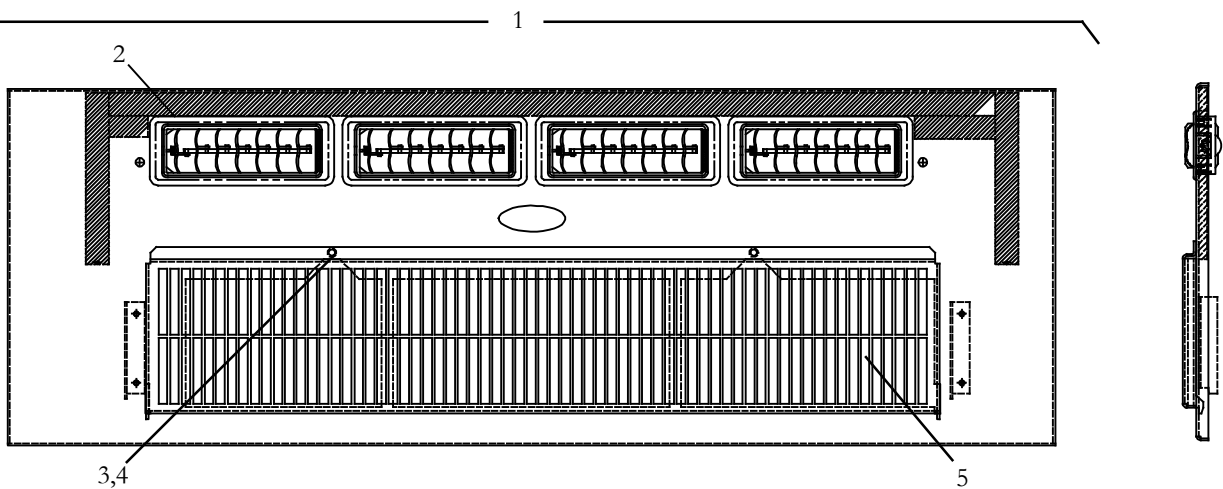


1.10.6 COVER ASSEMBLY, IW-1, LOUVER DIFFUSER: OPTION 1



Item	Part Number	Description	Qty
1	79-62088-00	Cover Assembly, IW-1, White, Includes: (-00 & -09)	1
	79-62088-03	Cover Assembly, IW-1, Oyster White, Includes:	1
2	58-62042-00Diffuser, Air, Louver, Rectangular (8.0 X 3.0 Inches)	4
3	N/ANut, Retaining, Chimney Type, 1/4-20	2
4	801-307Screw, Knurled Slotted Head, 1/4-20 x 0.75 Inch Long, Nylon	2
5	38-00573-08Filter, Air, 34.00 X 6.40 X .25, (IW-1)	1

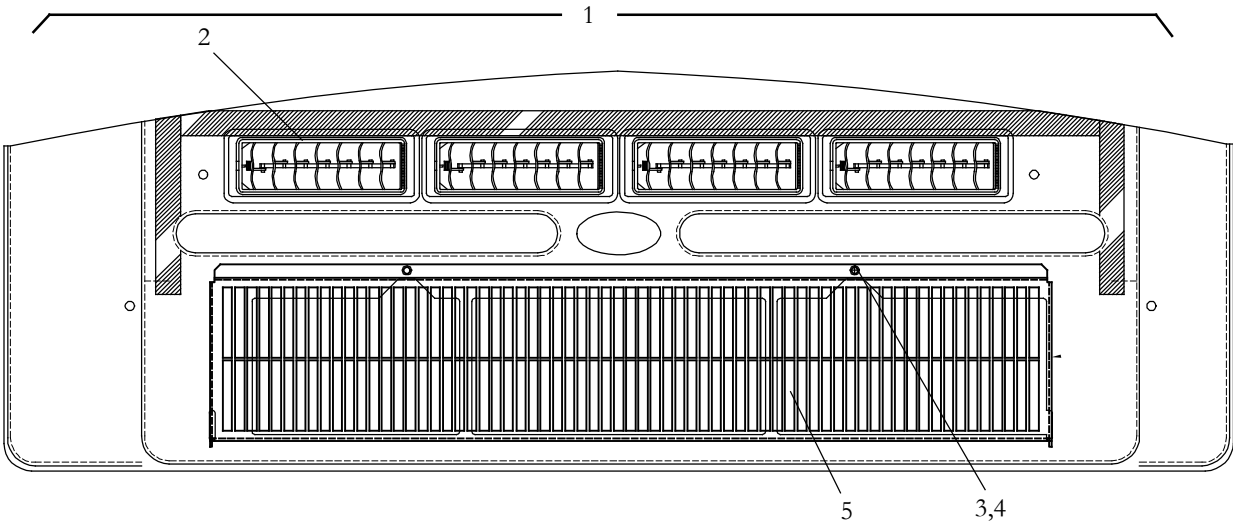
1.10.6 COVER ASSEMBLY, IW-1, LOUVER DIFFUSER: OPTION 2



Item	Part Number	Description	Qty
1	79-62088-02	Cover Assembly, IW-1, White - Includes: (-01 & -19)	1
	79-62088-05	Cover Assembly, IW-1, Gray - Includes: (-36)	1
2	58-62042-00Diffuser, Air, Louver, Rectangular (8.0 X 3.0 Inches)	4
3	N/ANut, Retaining, Chimney Type, 1/4-20	2
4	801-307Screw, Knurled Slotted Head, 1/4-20 x 0.75 Inch Long, Nylon	2
5	38-00573-08Filter, Air, 34.00 X 6.40 X .25, (IW-1)	1

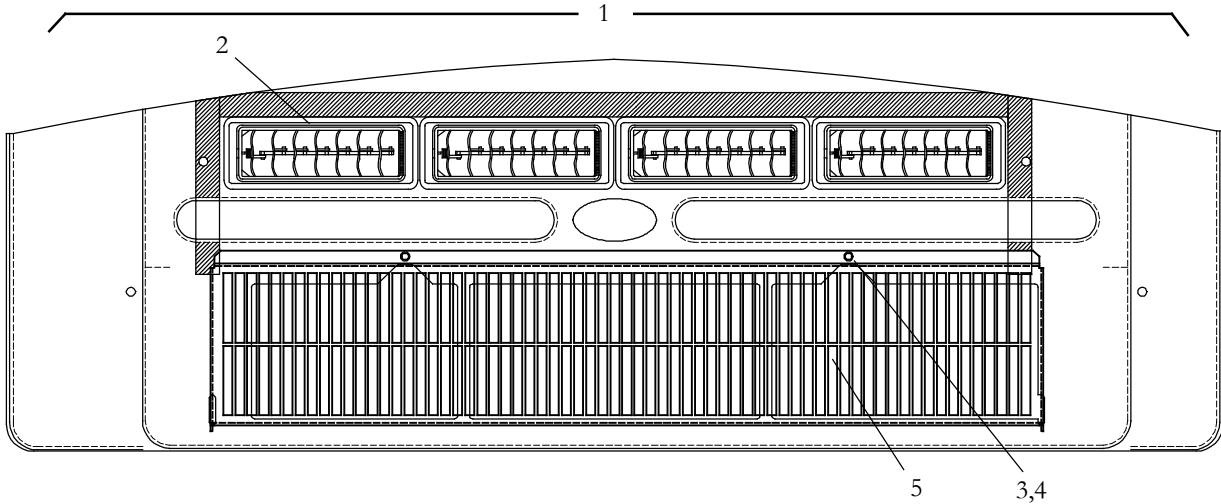


1.10.6 COVER ASSEMBLY, IW-1: OPTION 3



Item	Part Number	Description	Qty
1	79-62096-00	Cover Assembly, IW-1, Grey (TBB FS65) - Includes: (-04)	1
2	58-62042-00Diffuser, Air, Adjustable, (Rectangular)	4
3	N/ANut, Retaining, Chimney Type, 1/4-20	2
4	801-307Screw, Knurled Slotted Head, 1/4-20 x 0.75 Inch Long, Nylon	2
5	38-00573-08Filter, Air, 34.00 X 6.40 X .25 Inch	1

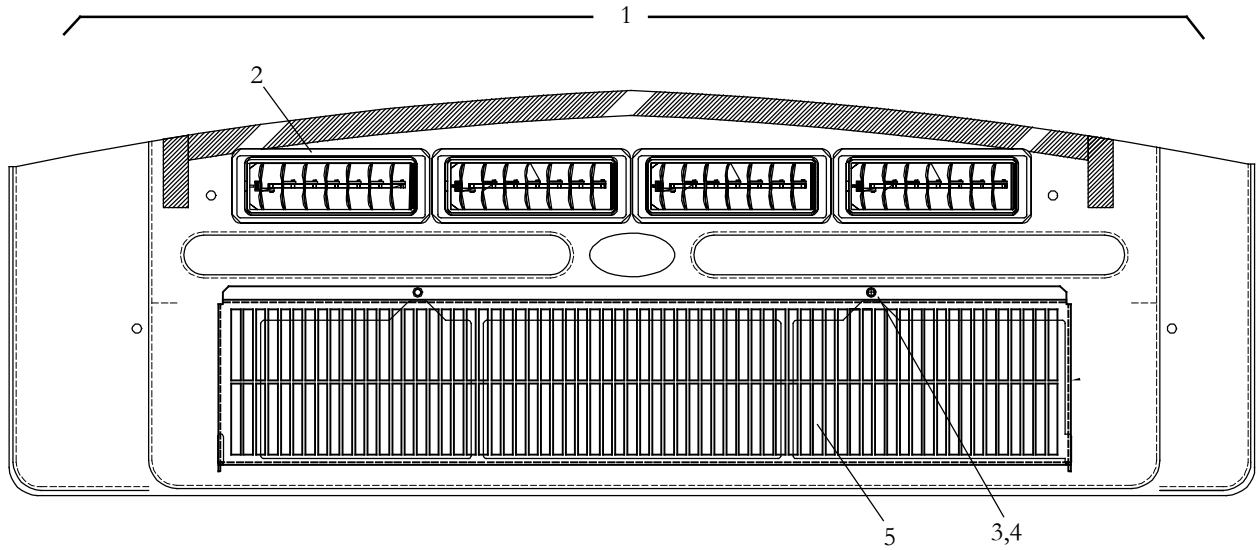
1.10.6 COVER ASSEMBLY, IW-1: OPTION 4



Item	Part Number	Description	Qty
1	79-62096-02	Cover Assembly, IW-1, Grey (TBB FS65) C & D Type - Includes: (-06)	1
2	58-62042-00Diffuser, Air, Adjustable (Rectangular)	4
3	N/ANut, Retaining, Chimney Type, 1/4-20	2
4	801-307Screw, Knurled Slotted Head, 1/4-20 x 0.75 Inch Long, Nylon	2
5	38-00573-08Filter, Air, 34.00 X 6.40 X .25 Inch	1

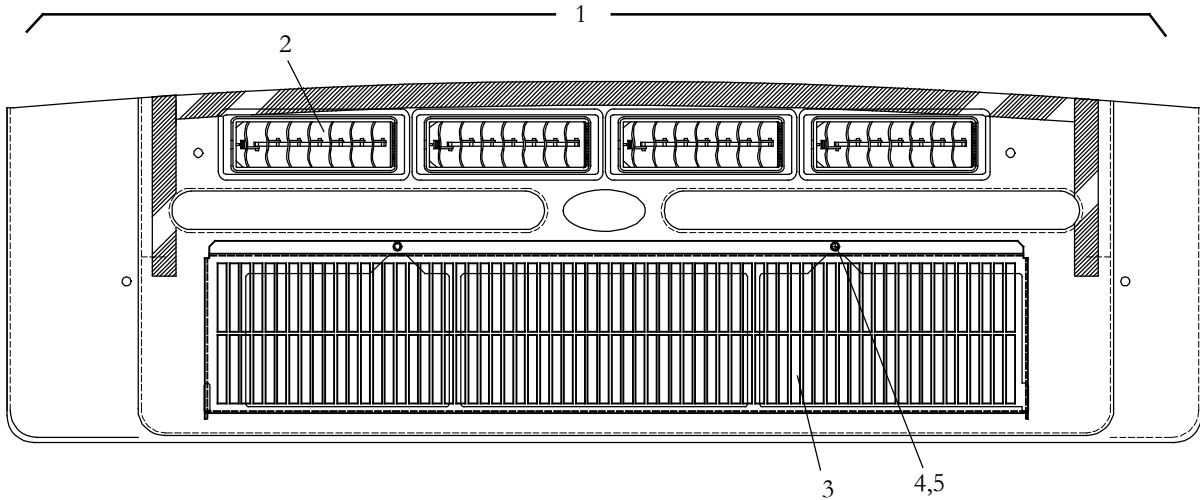


1.10.6 COVER ASSEMBLY, IW-1: OPTION 5



Item	Part Number	Description	Qty
1	79-62096-04	Cover Assy, IW-1, TBB (C2), Grey, Includes: (-07 & -26)	1
	79-62096-05	Cover Assy, IW-1, TBB (C2), White, Includes: (-11)	1
2	58-62042-00Diffuser, Air, Adjustable (Rectangular)	4
3	N/ANut, Retaining	2
4	AC801-307Screw, Knurled Slotted Head, 1/4 - 20 x 3/4	2
5	38-00573-08Filter, Air, 34.00 X 6.40 X .25 Inch	1

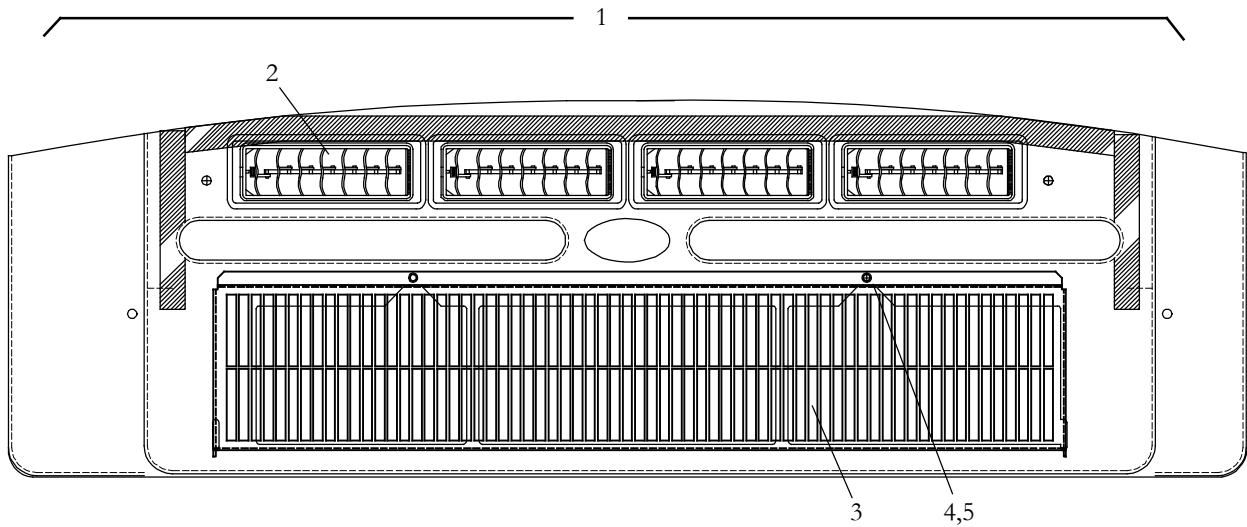
1.10.6 COVER ASSEMBLY, IW-1: OPTION 6



Item	Part Number	Description	Qty
1	79-62097-00	Cover Assembly, Evaporator, Gray - Includes: (-10, -14, -17 & -83)	1
	79-62097-01	Cover Assy, IW-1, White , Includes: (77-62160-05,-16,-28,-29 & -81)	1
2	58-62042-00Diffuser, Air, Adjustable (Rectangular)	4
3	38-00573-08Filter, Air, 34.00 X 6.40 X .25 Inch	1
4	N/ANut, Retaining, Chimney Type, 1/4-20	2
5	AC801-307Screw, Knurled Slotted Head, 1/4-20 x 0.75 Inch Long, Nylon	2

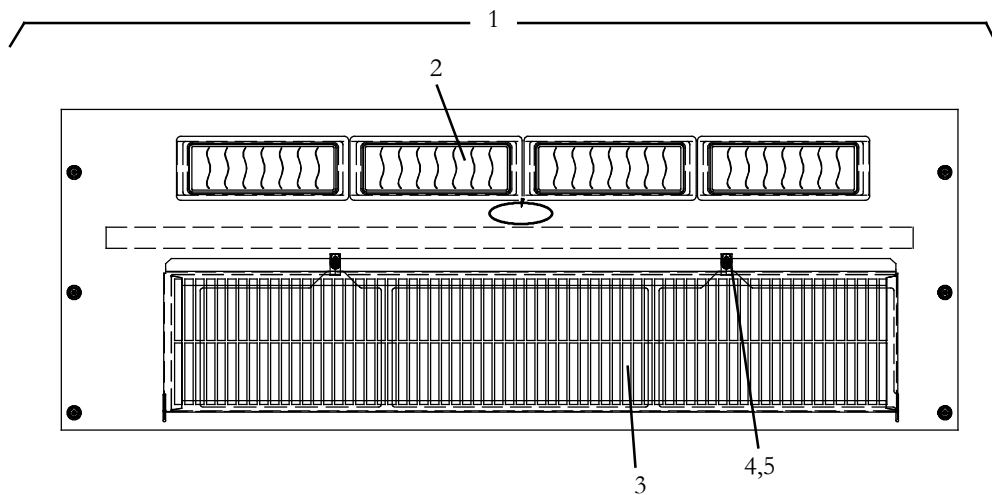


1.10.6 COVER ASSEMBLY, IW-1: OPTION 7



Item	Part Number	Description	Qty
1	79-62096-06	Cover Assembly, Evaporator, BB (CE), Gray - Includes: (-13)	1
	79-62096-07	Cover Assembly, Evaporator, BB (CE), White - Includes: (-12)	1
2	58-62042-00Diffuser, Air, Adjustable (Rectangular)	4
3	38-00573-08Filter, Air, 34.00 X 6.40 X .25 Inch	1
4	N/ANut, Retaining, Chimney Type, 1/4-20	2
5	AC801-307Screw, Knurled Slotted Head, 1/4-20 x 0.75 Inch Long, Nylon	2

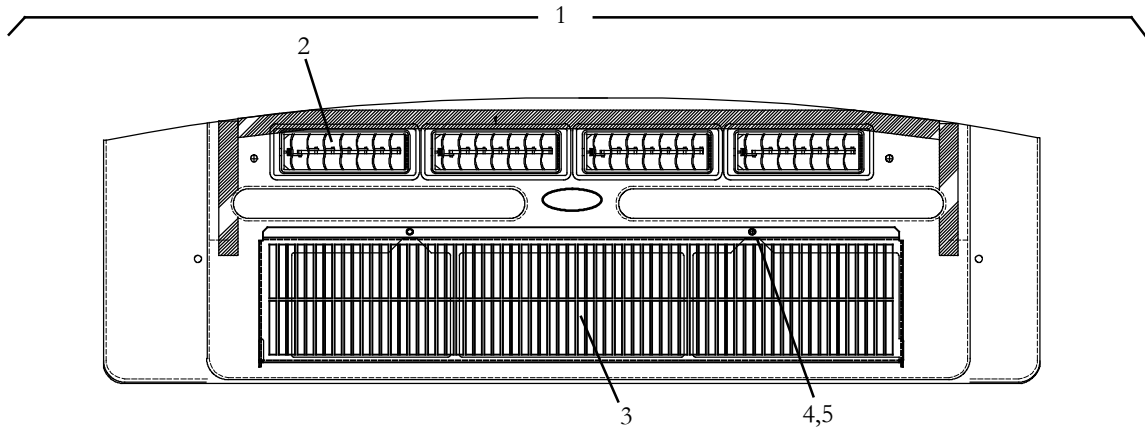
1.10.6 COVER ASSEMBLY, IW-1: OPTION 8



Item	Part Number	Description	Qty
1	79-62118-00	Cover Assembly, Evaporator, Gray - Includes: (-22)	1
	79-62118-01	Cover Assembly, Evaporator, White - Includes: (-23)	1
2	58-62042-00Diffuser, Air, Adjustable (Rectangular)	4
3	38-00573-08Filter, Air, 34.00 X 6.40 X .25 Inch	1
4	N/ANut, Retaining, Chimney Type, 1/4-20	2
5	AC801-307Screw, Knurled Slotted Head, 1/4-20 x 0.75 Inch Long, Nylon	2

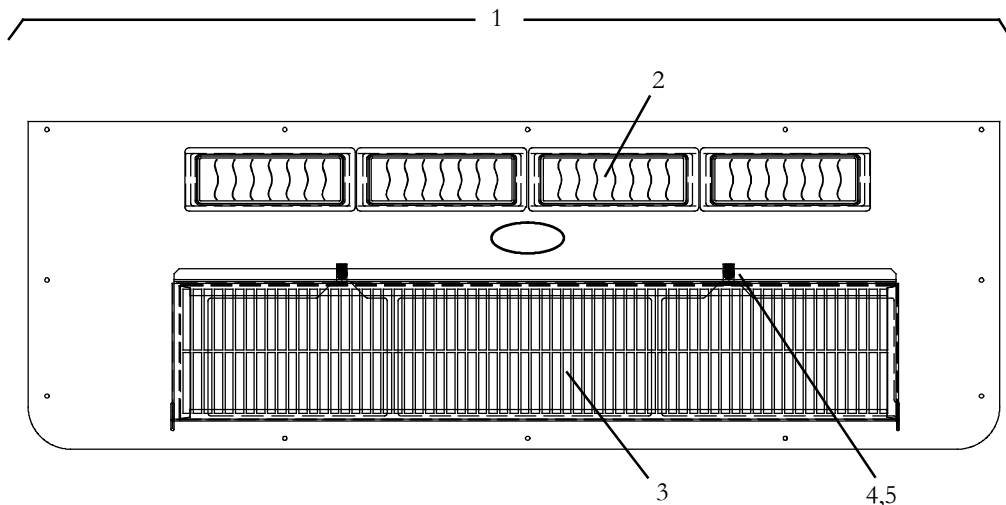


1.10.6 COVER ASSEMBLY, IW-1: OPTION 9



Item	Part Number	Description	Qty
1	79-62096-08	Cover Assembly, Evaporator, BB (Microbird), Gray - Includes: (-21)	1
	79-62096-09	Cover Assembly, Evaporator, BB (Microbird), White - Includes: (-20)	1
2	58-62042-00Diffuser, Air, Adjustable (Rectangular)	4
3	38-00573-08Filter, Air, 34.00 X 6.40 X .25 Inch	1
4	N/ANut, Retaining, Chimney Type, 1/4-20	2
5	AC801-307Screw, Knurled Slotted Head, 1/4-20 x 0.75 Inch Long, Nylon	2

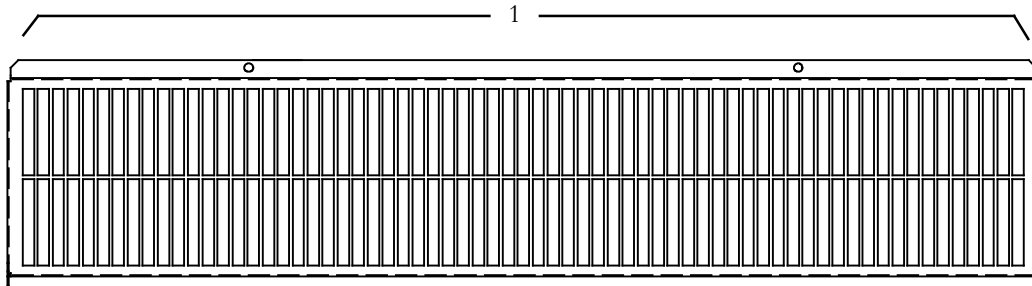
1.10.6 COVER ASSEMBLY, IW-1: OPTION 10



Item	Part Number	Description	Qty
1	79-62118-02	Cover Assembly, Evaporator, Girardin, Gray - Includes: (-24)	1
	79-62118-03	Cover Assembly, Evaporator, Girardin, White - Includes: (-25)	1
2	58-62042-00Diffuser, Air, Adjustable (Rectangular)	4
3	38-00573-08Filter, Air, 34.00 X 6.40 X .25 Inch	1
4	N/ANut, Retaining, Chimney Type, 1/4-20	2
5	AC801-307Screw, Knurled Slotted Head, 1/4-20 x 0.75 Inch Long, Nylon	2

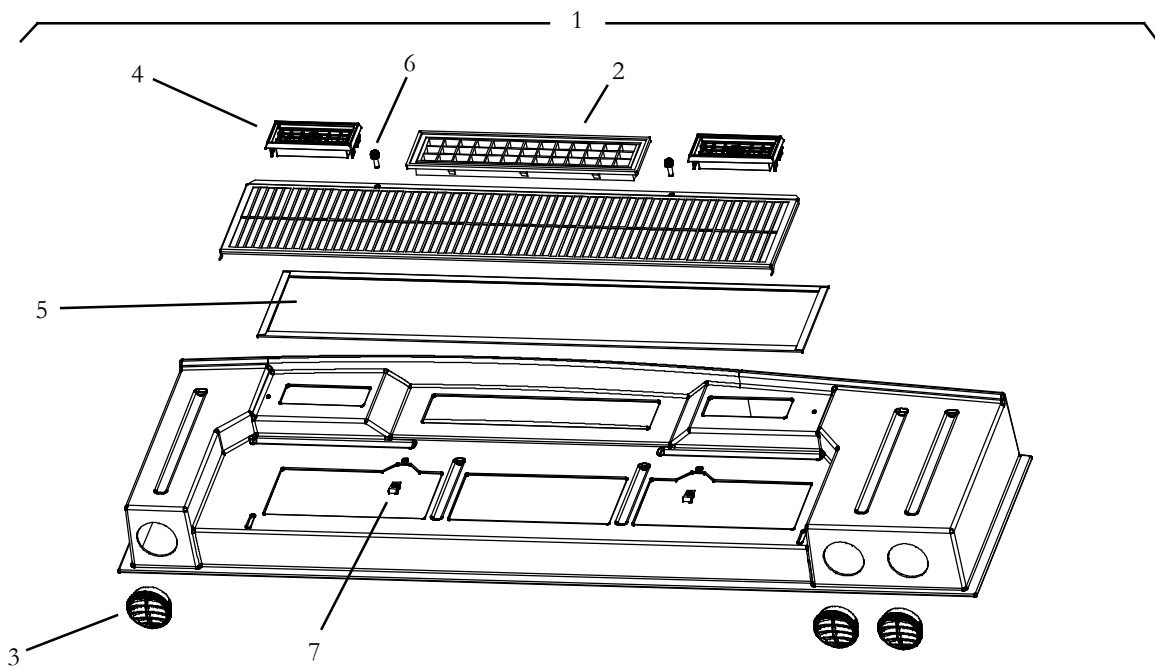


1.10.6 GRILLE, IW-1: OPTION 11



Item	Part Number	Description	Qty
1	68-08182-01	Grille, Black	1

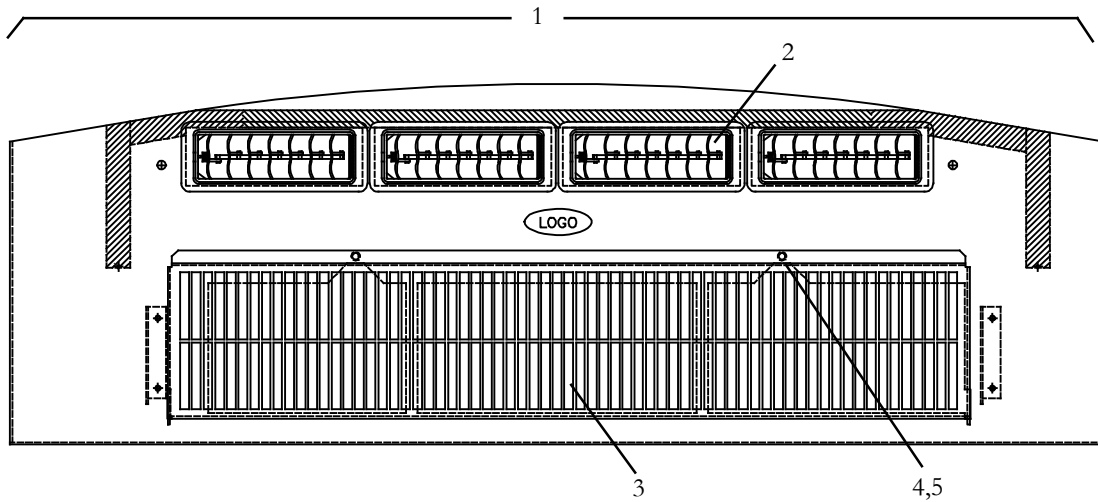
1.10.6 COVER ASSEMBLY, IW-1: OPTION 12



Item	Part Number	Description	Qty
1	Y28-00023-00	Cover Assembly, Evaporator, Beige - Includes:	1
2	58-62209-00Diffuser, Air, Adjustable, (Rectangular)	1
3	Y23-00002-00Louver, Fixed, 2.5" (Round)	3
4	AC401-302Louver, Bezel, 2" x 5.5" (Rectangular)	2
5	38-00573-08Filter, Air, 34.00 X 6.40 X .25 Inch	1
6	N/ANut, Retaining, Chimney Type, 1/4-20	2
7	AC801-307Screw, Knurled Slotted Head, 1/4-20 x 0.75 Inch Long, Nylon	2



1.10.6 COVER ASSEMBLY, IW-1: OPTION 13



Item	Part Number	Description	Qty
1	79-62088-04	Cover Assembly, Evaporator, Metal Cover, Oyster White - Includes:	1
2	58-62042-00Diffuser, Air, Adjustable (Rectangular)	4
3	38-00573-08Filter, Air, 34.00 X 6.40 X .25 Inch	1
4	N/ANut, Retaining, Chimney Type, 1/4-20	2
5	AC801-307Screw, Knurled Slotted Head, 1/4-20 x 0.75 Inch Long, Nylon	2



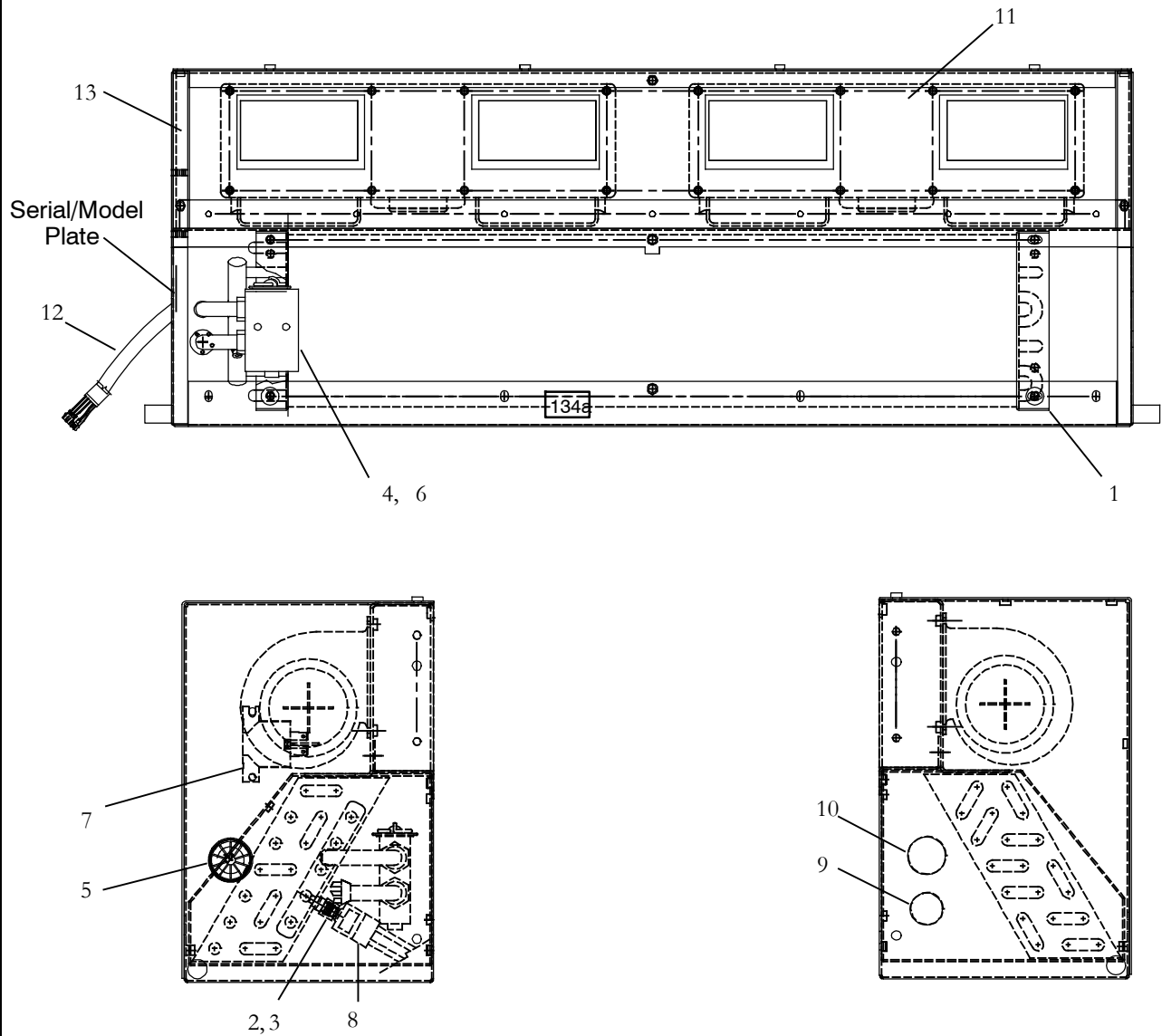
1.11 IW-2 IN-WALL EVAPORATORS

**OPTION TABLE - IW-2,
12 VDC - 3 Speed**

MODEL IW-2 77-62134	Cover Kit <small>(see Section 1.11.4)</small>	Chassis Kit <small>(see Section 1.11.1)</small>	Wire Harness <small>(see Section 1.11.3)</small>	Mount Brackets <small>(see Section 1.11.2)</small>
-00	2	1	1	-
-01	1	1	1	-
-02	2	1	1	1
-03	4	1	1	2
-04	4	1	1	2
-05	3	1	1	-
-06	3	1	1	-
-07	5	1	1	-
-08	5	1	1	-
-11	-	1	1	-
-12	6	1	1	-
-13	2	1	1	2



1.11.1 EVAPORATOR, IW-2 - 77-62134-XX (All), COMMON PARTS: OPTION 1



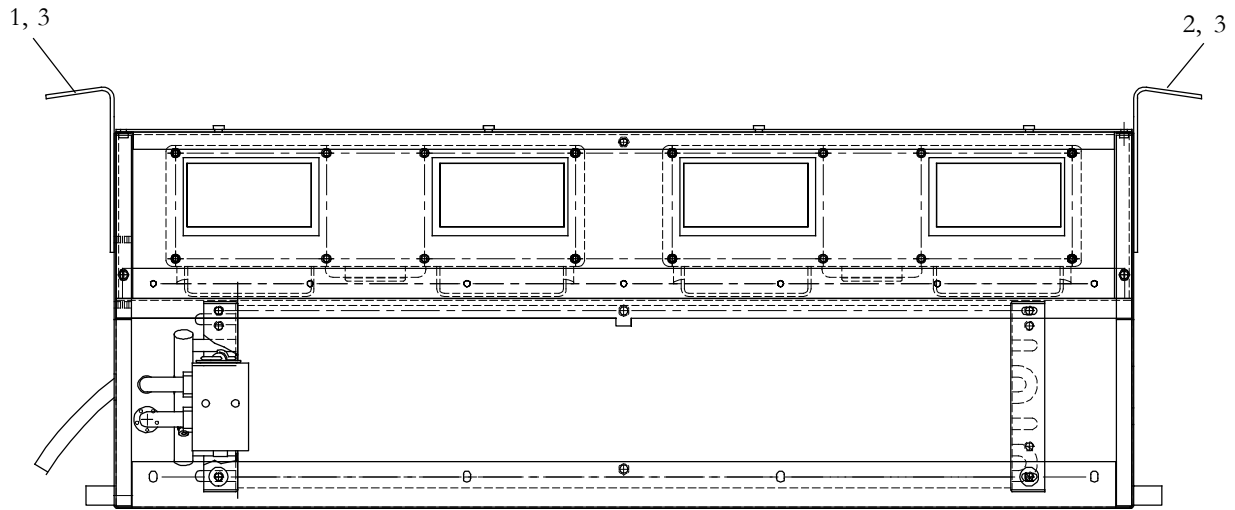
Item	Part Number	Description	Qty
-	NSS	Evaporator Chassis Assembly, IW-2 - Includes:	-
1	08-62045-01	...Coil, Evaporator, IW-2 - Includes:	1
2	40-01124-00Body, Valve, Schrader, Brass, 1/4 SAE Flare - Includes:	1
3	14-00351-00Core, Access Valve (Nickel Plated)	1
4	14-00397-00	...Valve, Thermal Expansion, (R134a)	1
5	58-00661-06	...Bushing, Nylon, 1-3/8 Inch Hole	1
6	AC801-202	...O-Ring, 1/2 Inch HNBR (Package of 10)	2
7	12-00685-00	...Thermostat, Freeze-Up, Non Adjustable	1
8	AC201-412	...Switch, Low Pressure	1



1.11.1 EVAPORATOR, IW-2, 77-62134-XX (All), COMMON PARTS: OPTION 1 (Con't)			
Item	Part Number	Description	Qty
9	58-00065-26	...Grommet, 0.75 I.D. X 1.06 Hole, .06 Inch Groove	2
10	58-00065-83	...Grommet, 1.00 ID X 1.25 Hole, .06 Inch Groove	2
11	AC401-203	...Blower Assembly, 12 VDC	2
12	-	...Harness, Evaporator, (12 VDC) - (SEE SECTION 1.11.3)	1
N.S.	42-00032-00	...Tape, Insulation, Presstite, 2.00 Inch X 30 Feet Long	1
13	AC801-414	...Gasket, Foam, 3/8 X 1 Inch, (25 Foot Roll)	1

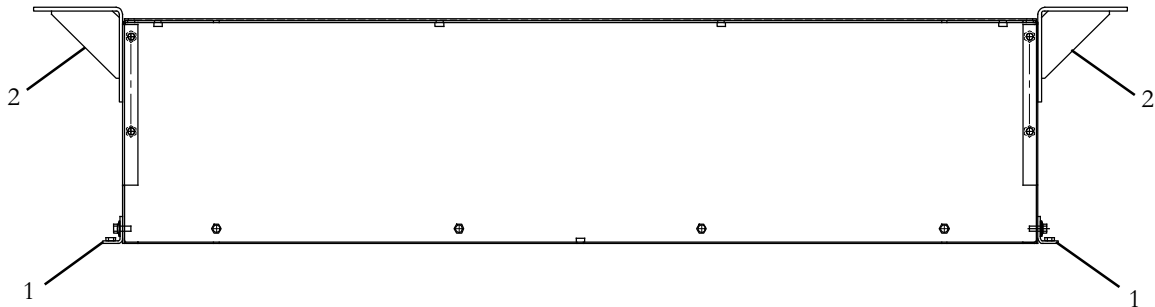


1.11.2 EVAPORATOR, IW-2 MOUNT BRACKETS: OPTION 1



Item	Part Number	Description	Qty
1	68-63529-00	...Bracket, Evaporator Mounting	NSI
2	68-63529-01	...Bracket, Evaporator Mounting	NSI
3	N/A	...Screw, Hex Head, With Captive Washer, 1/4-20 X .75 Inch Long, SST	8

1.11.2 EVAPORATOR, IW-2 MOUNT BRACKETS: OPTION 2

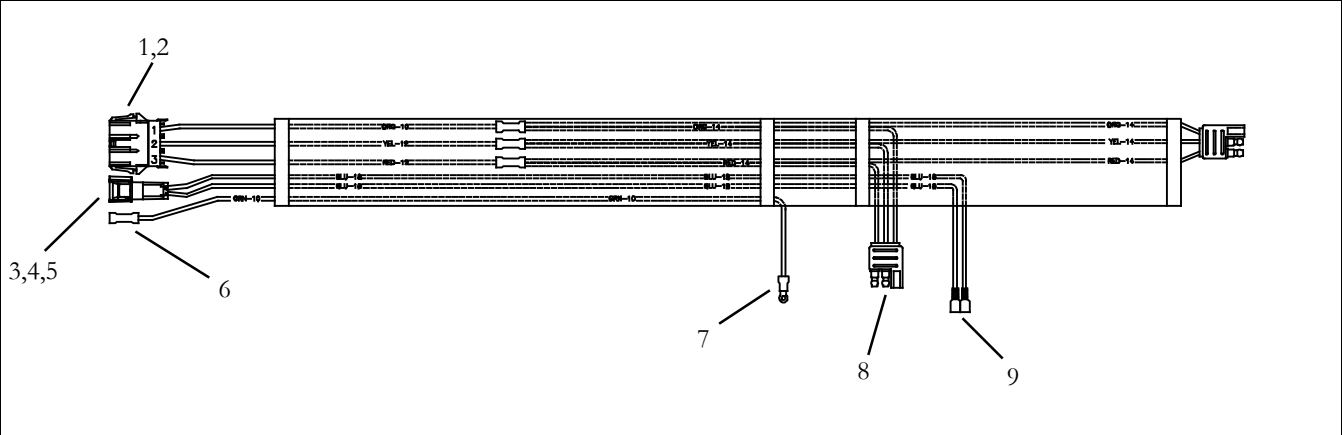


Item	Part Number	Description	Qty
1	68-63617-00	...Angle Assembly, Cover, IW-2	NSI
2	86-62449-00	...Bracket Assembly, Evaporator Mounting, IW-2 TBB SRW	NSI



NOTE: Complete Wire Harnesses are Non-Stock Items. Replacement Components are Listed and can be cross referenced to supplier part number in manual T-375PL.

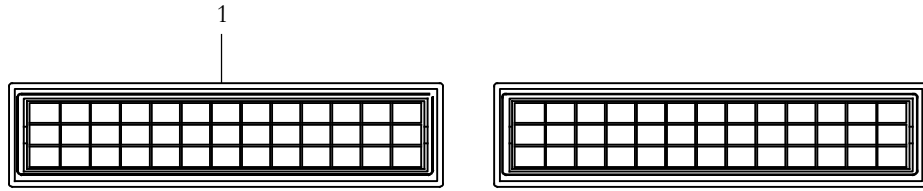
1.11.3 EVAPORATOR HARNESS, IW-2: OPTION 1



Item	Part Number	Description	Qty
1	22-50099-32	Connector, Plug Housing (3 position) (Molex P/N 42818-0312)	1
2	22-50099-32A	Terminal, Male, 10/12 AWG (Molex P/N 42817-0011)	3
3	22-50099-37	Connector, Male Unsealed (Delphi P/N 12129155)	1
4	22-50099-37A	Terminal, Male, 16/18 AWG (Delphi P/N 12034047)	2
5	22-50099-37D	Lock, Secondary (Delphi P/N 12129157)	1
6	22-00066-03	Terminal, Butt Splice, 10/12 AWG (Amp P/N 2-34072-2)	1
7	22-01140-02	Terminal, Ring #10, 10/12 AWG (Amp P/N 35109)	1
8	N/A	Connector,Electrical	2
9	22-01258-01	Terminal, Female Push-on, 18/22 AWG (Amp P/N 2-520184-2)	2

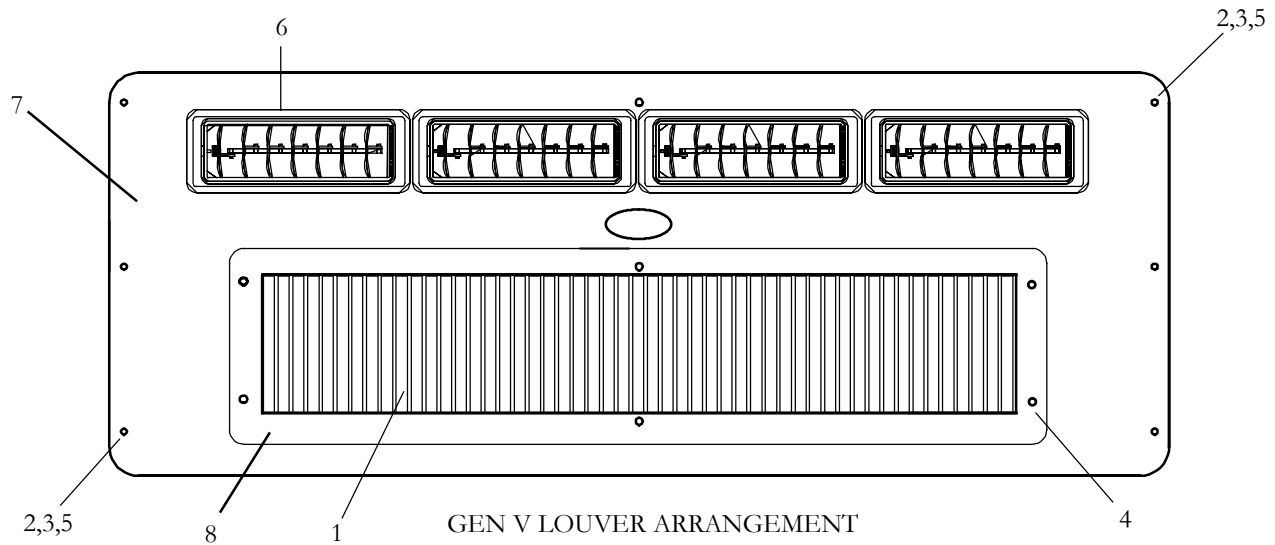


1.11.4 EVAPORATOR, IW-2: OPTION 1



Item	Part Number	Description	Qty
1	AC401-320	Diffuser, Air, Fixed	2

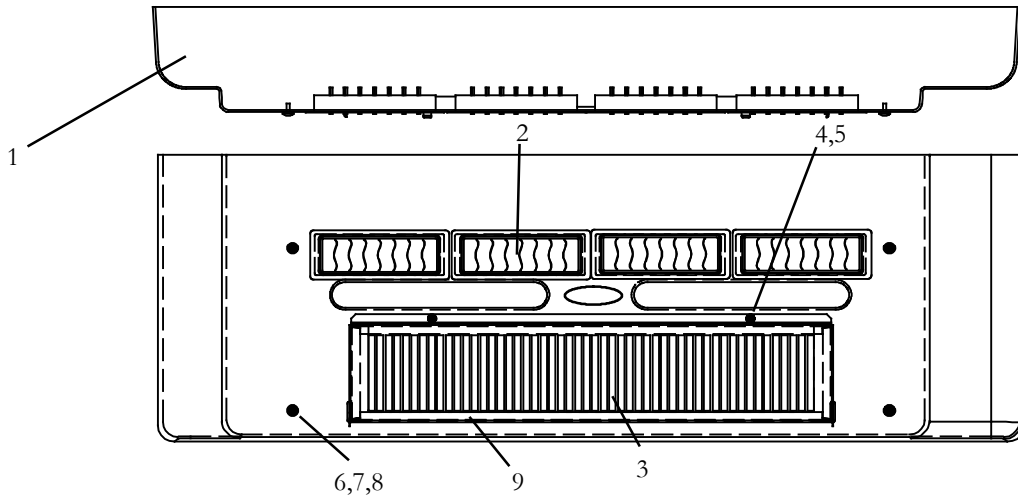
1.11.4 EVAPORATOR, IW-2: OPTION 2



Item	Part Number	Description	Qty
1	38-00573-06	Filter, Air, IW-2 (26.3 in. X 5.75 in.)	1
2	AC801-529	Washer, Snap Cap	13
3	AC801-531	Cap, Snap, White	13
4	N/A	Screw, Pan Head, TF, #10-16 X .63 Inch Long	6
5	N/A	Screw, Pan Head, #10-32 X .50 Inch Long, Zinc	7
6	58-62042-00	Diffuser, Air, Fixed (Rectangular, 3 x 7 Inches), (Used On -02 Assembly Only)	4
7	68-63703-00	Cover	1
8	68-07962-00	Grille	1



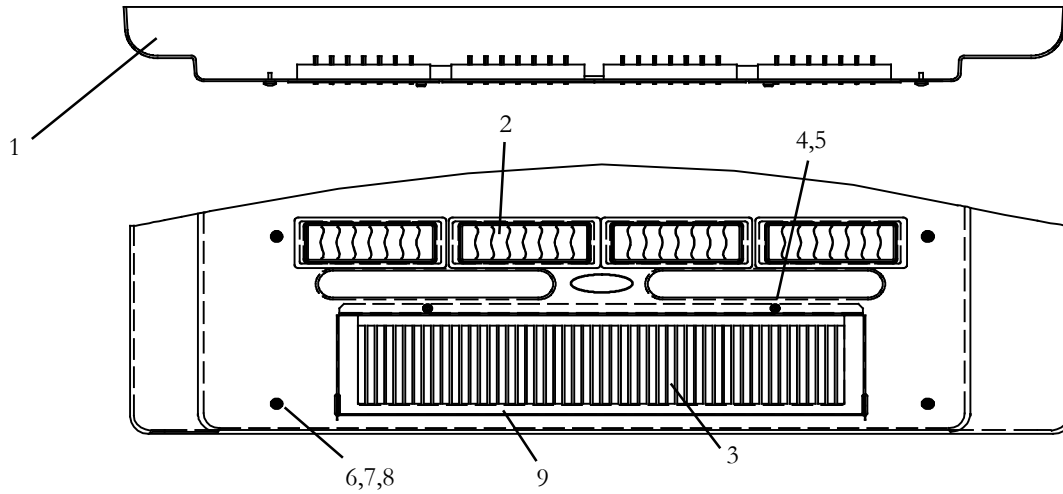
1.11.4 COVER ASSEMBLY, EVAPORATOR, IW-2: OPTION 3



Item	Part Number	Description	Qty
1	79-62122-00	Cover Assembly, IW2 Gray - Includes:	1
	79-62122-01	Cover Assembly, IW2 White - Includes:	1
2	58-62042-00	Diffuser, Air, Adjustable (Rectangular)	4
3	38-00573-10	Filter, Air, IW-2 (27.88 in. X 5.75 in.)	1
4	N/A	Nut, Retaining, Tapped Hole-Chimney	2
5	AC801-307	Screw, ¼ - 20 Knurled Head	2
6	N/A	Screw, MACH PNHD, #10-32 X ¾ LG	4
7	AC801-529	Washer, .25 Dia. Snap Cap	NSI
8	AC801-531	Cap, Snap, White, (79-62122-00 & -02)	4
	AC801-532	Cap, Snap, Gray, (79-62122-01 & -03)	4
9	68-63754-00	Grille, IW2	1



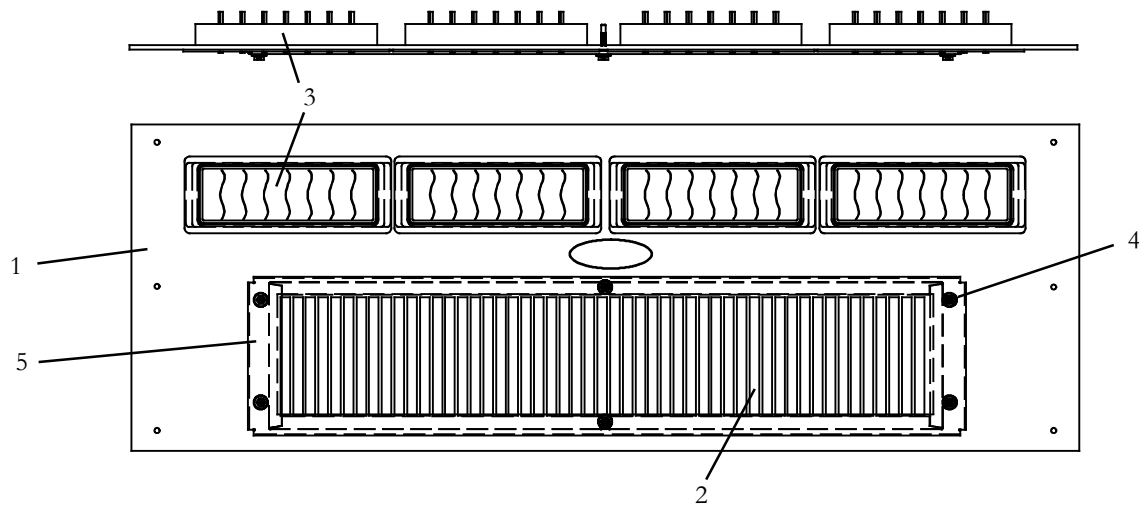
1.11.4 COVER ASSEMBLY, EVAPORATOR, IW-2: OPTION 4



Item	Part Number	Description	Qty
1	79-62122-02	Cover Assembly, IW2 Gray - Includes:	1
	79-62122-03	Cover, Assembly IW2 White - Includes:	1
2	58-62042-00	Diffuser, Air, Adjustable (Rectangular)	4
3	38-00573-10	Filter, Air, IW-2 (27.88 in. X 5.75 in.)	1
4	N/A	Nut, Retaining, Tapped Hole-Chimney	2
5	AC801-307	Screw, ¼ - 20 Knurled Head	2
6	N/A	Screw, MACH PNHD, #10-32 X ¾ LG	4
7	AC801-529	Washer, .25 Dia. Snap Cap	NSI
8	AC801-531	Cap, Snap, White, (79-62122-00 & -02)	4
	AC801-532	Cap, Snap, Gray, (79-62122-01 & -03)	4
9	68-63754-00	Grille, IW2	1

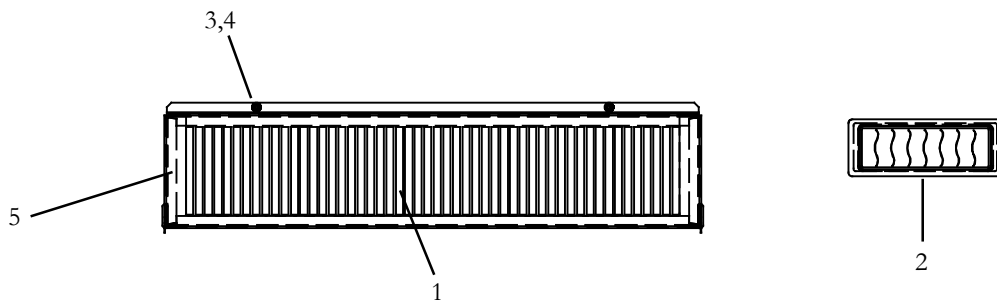


1.11.4 COVER ASSEMBLY, EVAPORATOR, IW-2: OPTION 5



Item	Part Number	Description	Qty
1	79-62117-01	Cover, IW2 Gray - Includes:	1
	79-62117-00	Cover, IW2 White - Includes:	1
2	38-00573-06	Filter, Air, IW-2 (26.3 in. X 5.75 in.)	1
3	58-62042-00	Diffuser, Air, Adjustable Rect.	4
4	N/A	Screw, Hex Washhd, #10 -32 x 1.25	6
5	68-63616-01	Grille, IW2	NSI

1.11.4 COVER ASSEMBLY, EVAPORATOR, IW-2: OPTION 6



Item	Part Number	Description	Qty
1	38-00573-10	Filter, Air, IW-2 (27.88 in. X 5.75 in.)	1
2	58-62042-00	Diffuser, Air, Adjustable Rect.	4
3	N/A	Nut, Retaining, Tapped Hole-Chimney	2
4	AC801-307	Screw, 1/4 - 20 Knurled Head	2
N/S	N/A	Screw, Panhd, #10 -16 x .75 Black	6
N/S	AC801-414	Gasket, 3/8 x 1 in. soft	3 ln.ft.
5	68-63754-00	Grille, IW2	1



1.12 IW-4 IN-WALL EVAPORATORS

**OPTION TABLE - IW-4, 77-62230
12 VDC - 3 Speed**

MODEL IW-4 77-62230	Cover Kit <small>(see Section 1.12.3)</small>	Chassis Kit <small>(see Section 1.12.1)</small>	Wire Harness <small>(see Section 1.12.2)</small>
-00	1	1	1
-01	2	1	2

**OPTION TABLE - IW-4, Y19-IW401
12 VDC - 3 Speed**

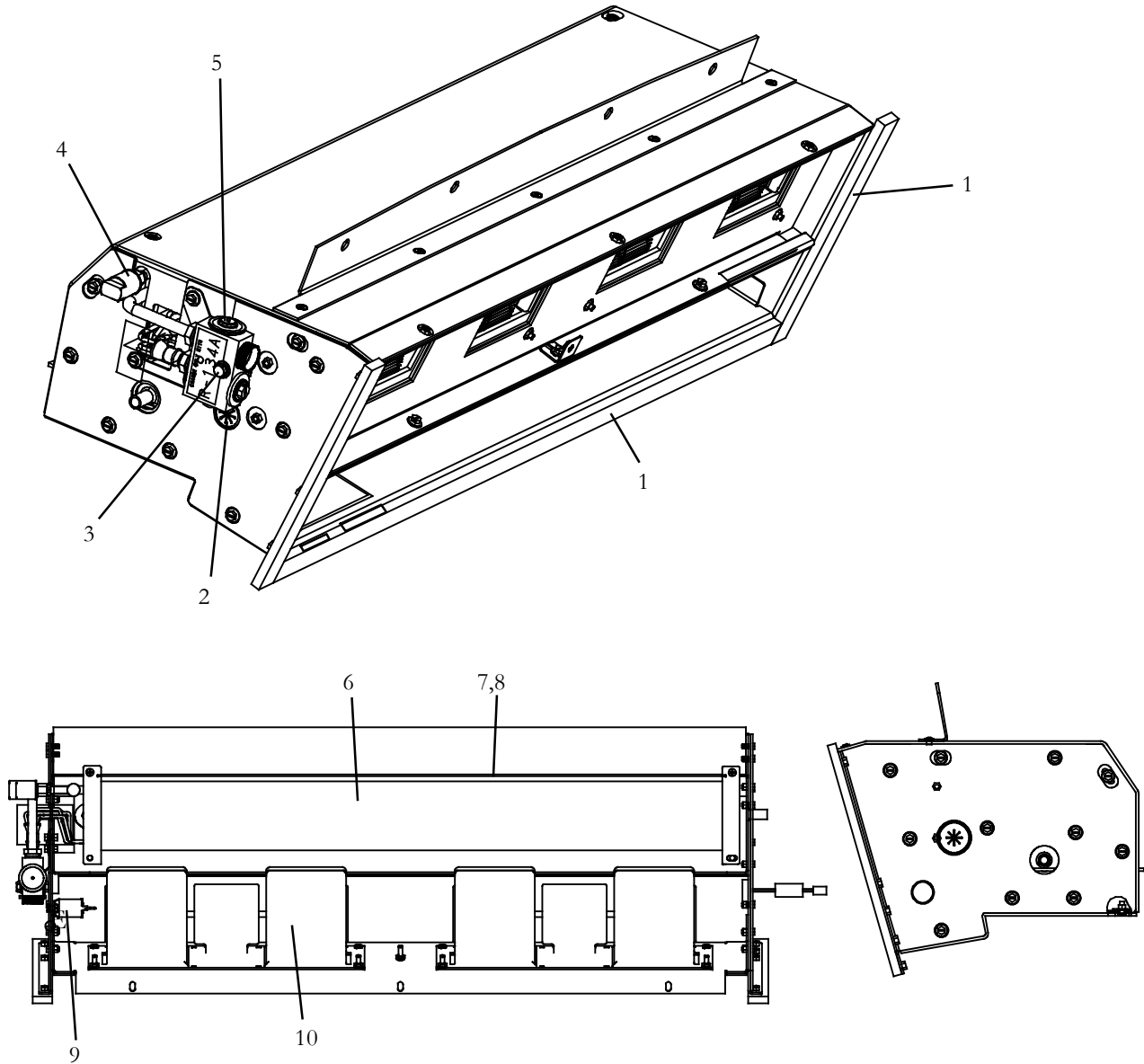
MODEL IW-4 Y19-IW401	Cover Kit <small>(see Section 1.12.3)</small>	Chassis Kit <small>(see Section 1.12.1)</small>	Wire Harness <small>(see Section 1.12.2)</small>
-00	1	2	4
-01	2	2	5
-02	-	2	3

**OPTION TABLE - IW-4, Y19-IW402
24 VDC - 3 Speed**

MODEL IW-4 Y19-IW402	Cover Kit <small>(see Section 1.12.3)</small>	Chassis Kit <small>(see Section 1.12.1)</small>	Wire Harness <small>(see Section 1.12.2)</small>
-00	-	2	3



1.12.1 EVAPORATOR, IW-4: OPTION 1



TOP PANEL REMOVED FOR CLARITY

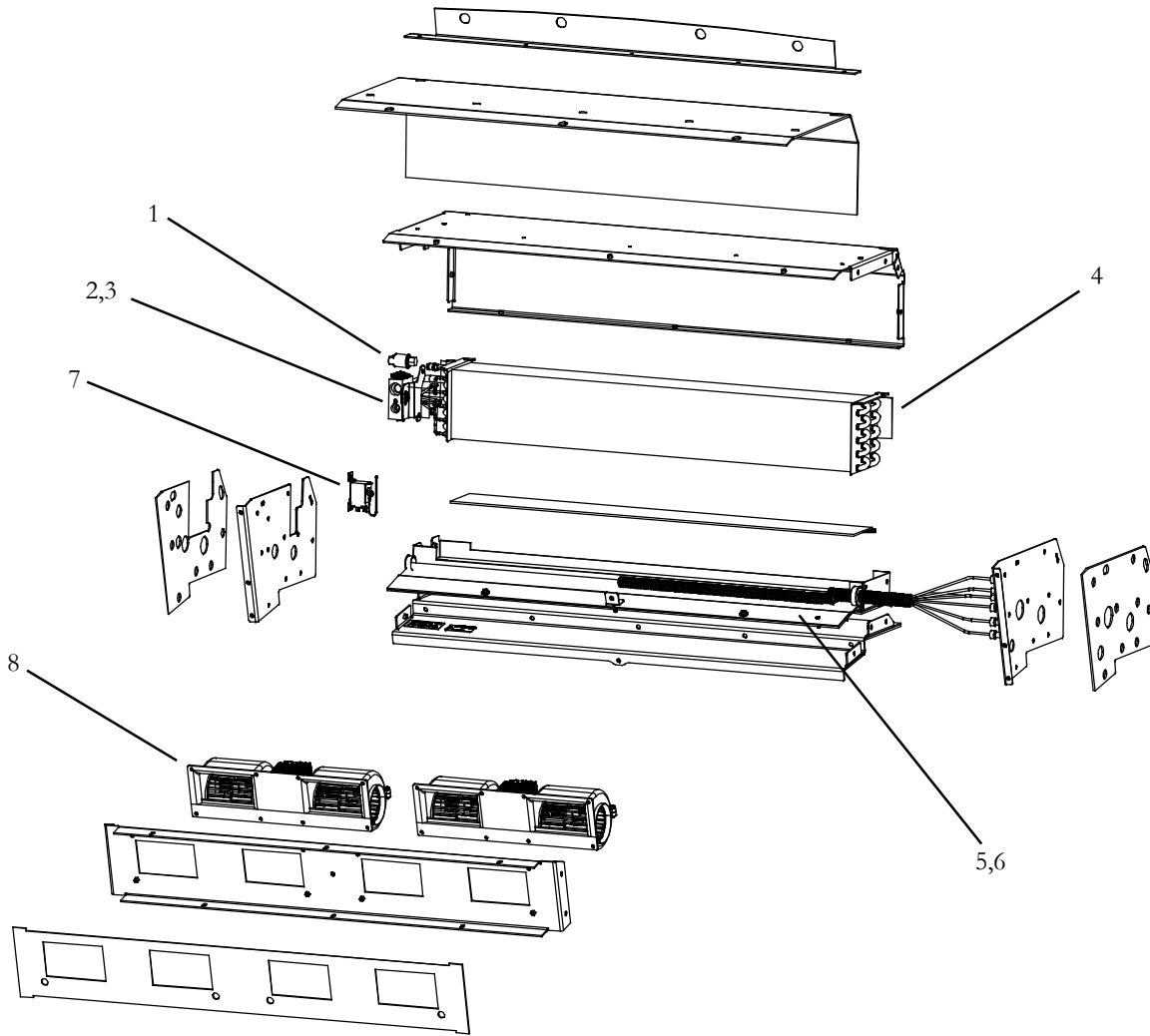
Item	Part Number	Description	Qty
N/S	77-62227-XX	Evaporator Chassis Assembly, IW-4 - Includes:	1
1	AC801-415	...Trim, Flexible	5 ft.
2	58-00661-04	...Bushing, 1.00 DIA Hole	1
3	AC701-101	...Nut, Speed, "J" Type 1/4-20	1
4	AC201-412	...Pressure Switch, Low	1
5	14-00397-00	...Valve, Expansion	1
6	08-62080-00	...Coil, Evaporator, IW-4	1



1.12.1 EVAPORATOR, IW-4: Continued: OPTION 1			
Item	Part Number	Description	Qty
7	86-62557-00	...Weld Assembly, Drain Pan	1
8	AC022-313-4	...Baffle, Drain Pan	1
9	12-00685-00	...Thermostat, Freeze Up Non-Adjustable	1
10	AC401-203	...Fan & Motor Assembly, 12 VDC	2



1.12.1 EVAPORATOR, IW-4, Y19-IW401 and Y19-IW402 MODELS: OPTION 2

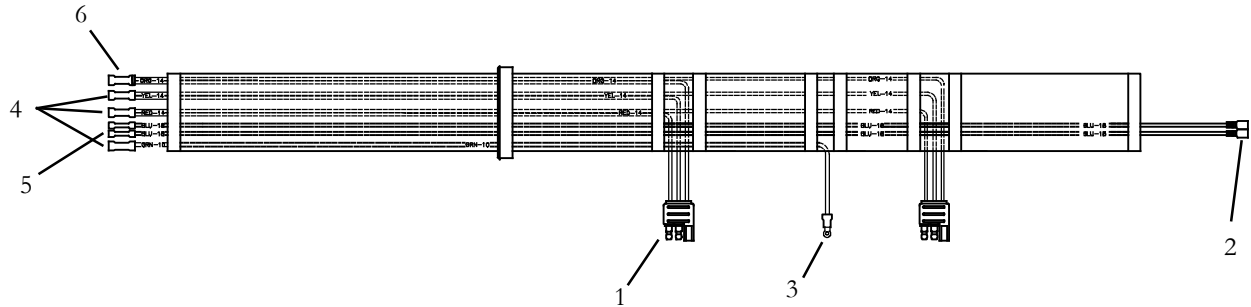


Item	Part Number	Description	Qty
1	201-412	Pressure Switch, Low	1
2	14-00397-00	Valve, Expansion	1
3	801-202	O-Ring, 1/2" HN BR	2
4	08-62080-00	Coil, Evaporator, IW-4	1
5	86-62557-00	Weld Assembly, Drain Pan	1
6	AC022-313-4	Baffle, Drain Pan	1
7	12-00685-00	Thermostat, Freeze Up Non-Adjustable	1
8	Y15-00002-00	Fan & Motor Assembly, 12 VDC	2
	Y15-00002-01	Fan & Motor Assembly, 24 VDC	2



NOTE: Complete Wire Harnesses are Non-Stock Items. Replacement Components are Listed and can be cross referenced to supplier part number in manual T-375PL.

1.12.2 EVAPORATOR HARNESS, IW-4: OPTION 1

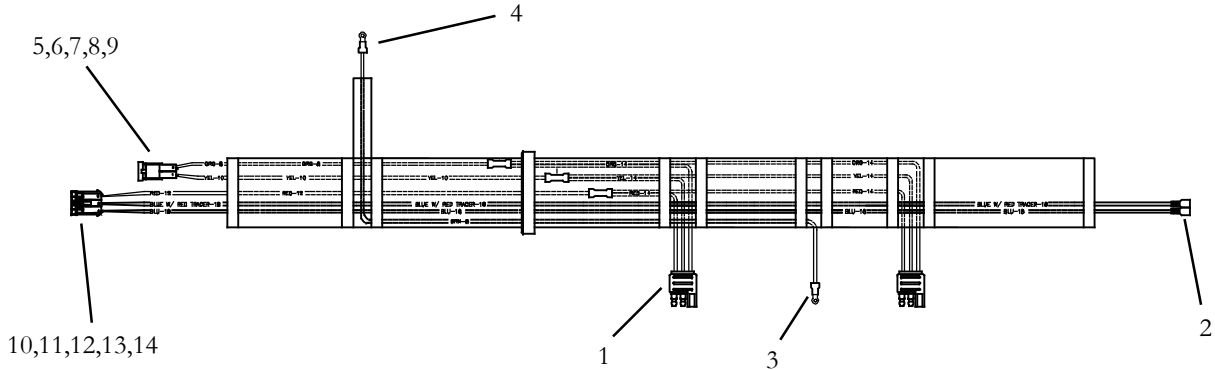


Item	Part Number	Description	Qty
1	N/A	Connector, Plug (Motor)	2
2	22-01258-01	Terminal, Female Push-On, 18/22 AWG (Amp P/N 2-520184-2)	2
3	22-01140-02	Terminal, Ring #10, 12/10 AWG (Amp P/N 35109)	1
4	22-00066-03	Terminal, Butt Splice, 12/10 AWG (Amp P/N 2-34072-2)	3
5	22-00066-01	Terminal, Butt Splice, 22/18 AWG (Amp P/N 1-34070-1)	2
6	22-62221-02	Terminal, Butt, Step Down 12/10 - 8 AWG (Molex P/N 19154-00444)	1



NOTE: Complete Wire Harnesses are Non-Stock Items. Replacement Components are Listed and can be cross referenced to supplier part number in manual T-375PL.

1.12.2 EVAPORATOR HARNESS, IW-4: OPTION 2

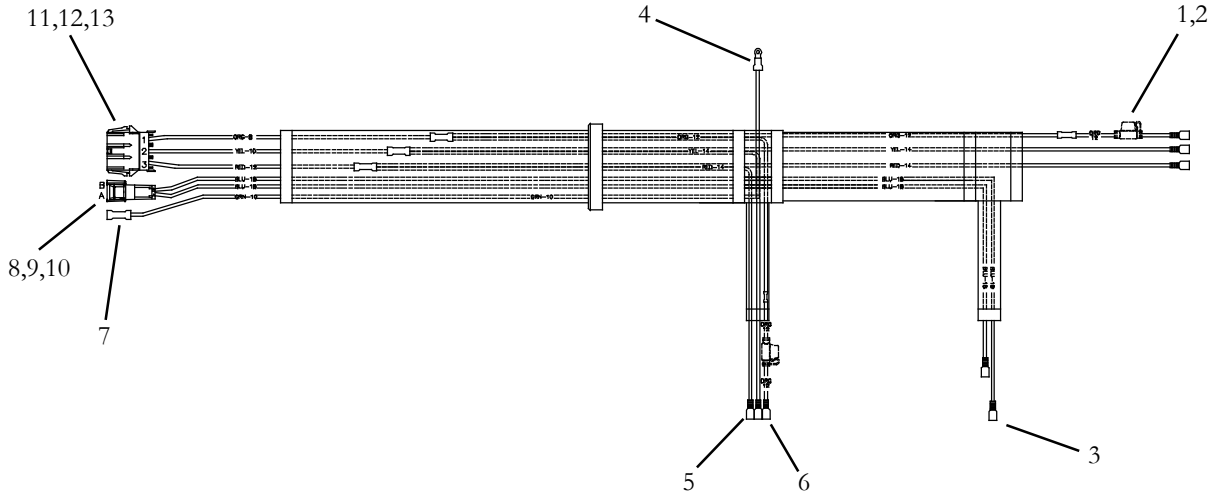


Item	Part Number	Description	Qty
1	N/A	Connector, Plug (Motor)	2
2	22-01258-01	Terminal, Female Push-On, 18/22 AWG (Amp P/N 2-520184-2)	2
3	22-00872-01	Terminal, Ring #10, 8 AWG (Amp P/N 52263-1)	1
4	22-00872-03	Terminal, Ring, 5/16, 8 AWG (Amp P/N 52291)	1
5	22-50098-67	Connector, 2 Pin Male (Tyco P/N 1544334-1)	1
6	22-50098-67A	Terminal, Male, 10 AWG (Tyco P/N 1544332-1)	1
7	22-50098-67B	Terminal, Male, 7-9 AWG (Tyco P/N 1544333-1)	1
8	22-50098-67C	Cable Seal, 10 AWG (Tyco P/N 1544316-1)	1
9	22-50098-67D	Cable Seal, 7-9 AWG (Tyco P/N 1544316-2)	1
10	22-50078-86	Connector, 3 Pin Male (Packard P/N 12124686)	1
11	22-50078-49A	Terminal, Male, 18 AWG (Packard P/N 12064734)	2
12	22-50078-49C	Terminal, Male, 12 AWG (Packard P/N 12064737)	1
13	22-50078-53C	Cable Seal, 18 AWG (Packard P/N 12052388)	2
14	22-50078-53D	Cable Seal, 12 AWG (Packard P/N 15324996)	1



NOTE: Complete Wire Harnesses are Non-Stock Items. Replacement Components are Listed and can be cross referenced to supplier part number in manual T-375PL.

1.12.2 EVAPORATOR HARNESS, IW-4: OPTION 3

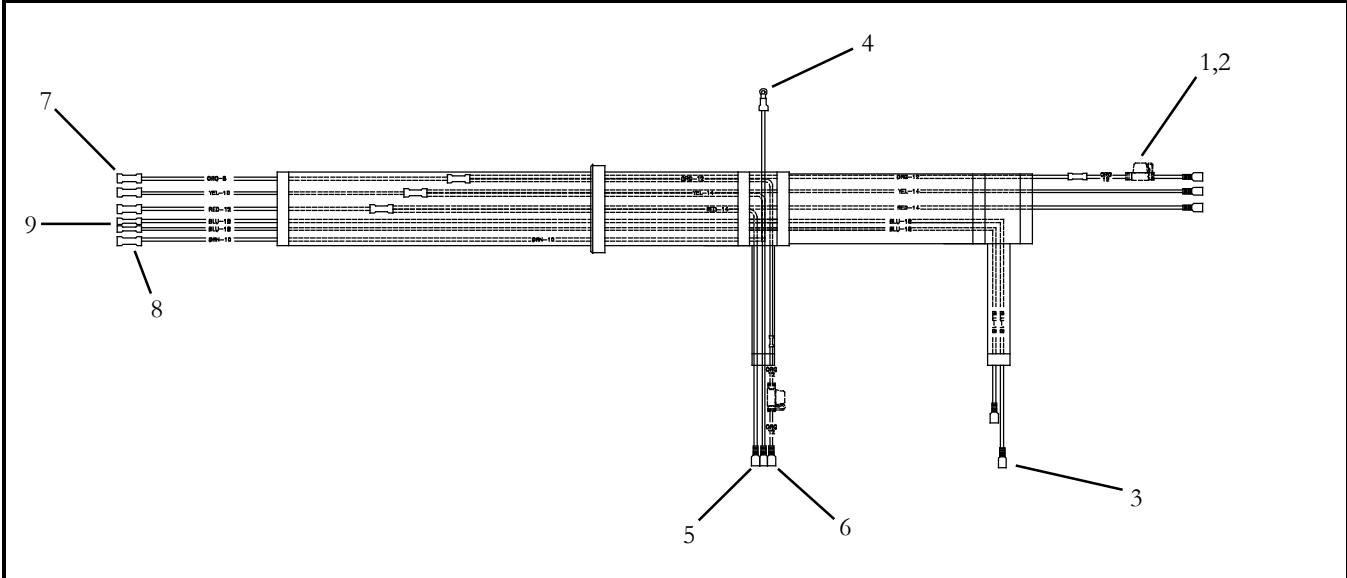


Item	Part Number	Description	Qty
1	22-02338-07	Fuseholder w/Cap (Littlefuse P/N FHM0002)	2
2	22-02336-25	Mini-Fuse, 20A (Littlefuse P/N 297020)	2
3	22-01258-01	Terminal, Female Push-On, 18/22 AWG (Amp P/N 2-520184-2)	2
4	22-01140-02	Terminal, Ring #10, 12-10 AWG (Amp P/N 2-320577-3)	1
5	22-01141-01	Terminal, Female Push-On, 1/4" - 14/16 AWG (Amp P/N 3-350819-2)	4
6	31-1247	Terminal, Female Push-On, 1/4" - 10/12 AWG (TE Connectivity P/N 4-520447-2)	2
7	22-00066-03	Terminal, Butt Splice, 12-10 AWG (Amp P/N 2-34072-2)	1
8	22-50099-37	Connector, Male, Unsealed, M/P 280 Delphi (Delphi P/N 12129155)	1
9	22-50099-37A	Terminal, Male, 16/18AWG (Delphi P/N 12034047)	2
10	22-50099-37D	TPA (Delphi P/N 12129157)	1
11	22-50099-32	Connector, 3 Way, Molex (Molex P/N 42818-0312)	1
12	22-50099-32A	Terminal, Male, 10/12AWG (Molex P/N 42817-0011)	2
13	22-50099-32B	Terminal, Male, 8AWG (Molex P/N 42817-0031)	1



NOTE: Complete Wire Harnesses are Non-Stock Items. Replacement Components are Listed and can be cross referenced to supplier part number in manual T-375PL.

1.12.2 EVAPORATOR HARNESS, IW-4: OPTION 4

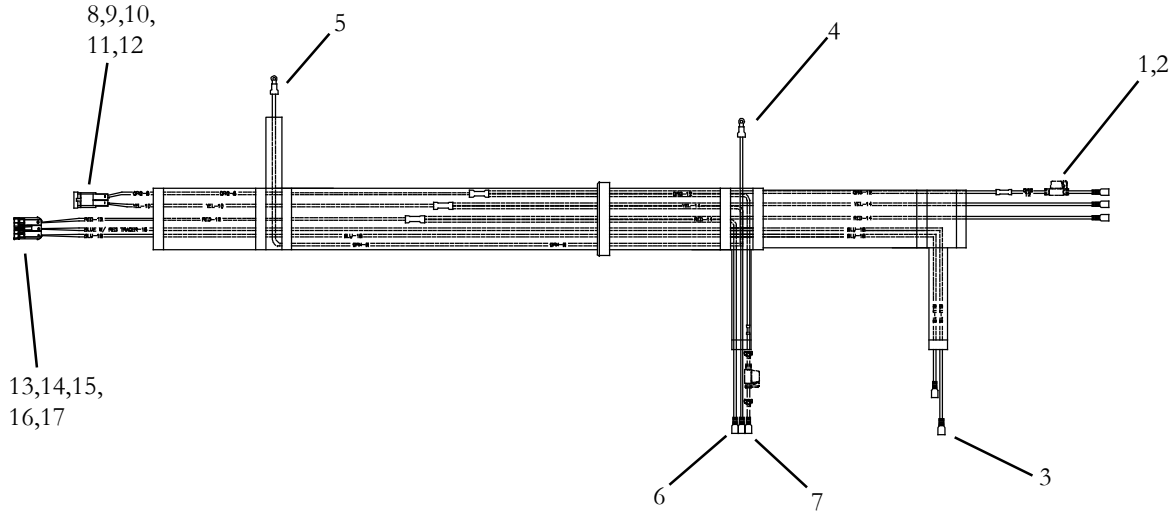


Item	Part Number	Description	Qty
1	22-02338-07	Fuseholder w/Cap (Littlefuse P/N FHM0002)	2
2	22-02336-25	Mini-Fuse, 20A (Littlefuse P/N 297020)	2
3	22-01258-01	Terminal, Female Push-On, 18/22 AWG (Amp P/N 2-520184-2)	2
4	22-01140-02	Terminal, Ring #10, 12-10 AWG (Amp P/N 2-320577-3)	1
5	22-01141-01	Terminal, Female Push-On, 1/4" - 14/16 AWG (Amp P/N 3-350819-2)	4
6	31-1247	Terminal, Female Push-On, 1/4" - 10/12 AWG (TE Connectivity P/N 4-520447-2)	2
7	REF	Terminal, Butt Splice, 8AWG, Heat Sealable (Molex part# 19164-0079)	1
8	REF	Terminal, Butt Splice, 12-10AWG, Heat Sealable (Molex part# 19164-0056)	3
9	REF	Terminal, Butt Splice, 22-18AWG, Heat Sealable (Molex part# 19164-0013)	2



NOTE: Complete Wire Harnesses are Non-Stock Items. Replacement Components are Listed and can be cross referenced to supplier part number in manual T-375PL.

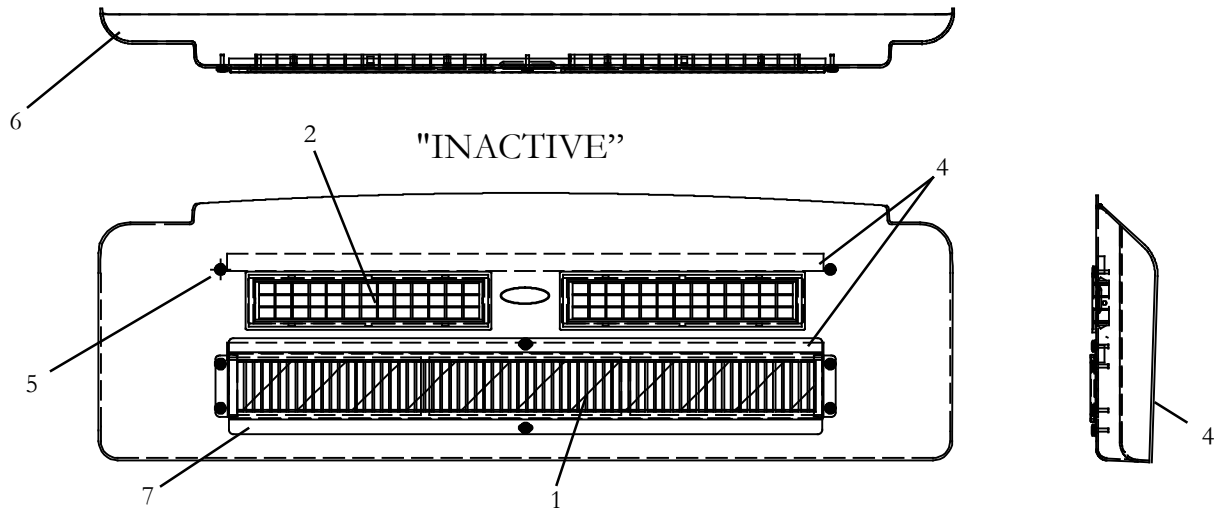
1.12.2 EVAPORATOR HARNESS, IW-4: OPTION 5



Item	Part Number	Description	Qty
1	22-02338-07	Fuseholder w/Cap (Littlefuse P/N FHM0002)	2
2	22-02336-25	Mini-Fuse, 20A (Littlefuse P/N 297020)	2
3	22-01258-01	Terminal, Female Push-On, 18/22 AWG (Amp P/N 2-520184-2)	2
4	22-00872-01	Terminal, Ring #10, 8AWG (Amp P/N 52263-1)	1
5	22-00872-03	Terminal, Ring 5/16", 8AWG (Amp P/N 52291)	1
6	22-01141-01	Terminal, Female Push-On, 1/4" - 14/16 AWG (Amp P/N 3-350819-2)	4
7	31-1247	Terminal, Female Push-On, 1/4" - 10/12 AWG (TE Connectivity P/N 4-520447-2)	2
8	22-50098-67	Connector, Male, 2 Way, (Tyco P/N 1544334-1)	1
9	22-50098-67A	Terminal, Male, 10AWG (Tyco P/N 1544332-1)	1
10	22-50098-67C	Cable Seal, 10AWG (Tyco P/N 1544316-1)	1
11	22-50098-67B	Terminal, Male, 7/9AWG (Tyco P/N 1544333-1)	1
12	22-50098-67D	Cable Seal, 7/9AWG (Tyco P/N 1544316-2)	1
13	22-50078-86	Connector, 3 Way, Metripack 630 Series (Packard P/N 12124686)	1
14	22-50078-49A	Terminal, Male, 18AWG (Packard P/N 12064734)	2
15	22-50078-49C	Terminal, Male, 12AWG (Packard P/N 12064737)	1
16	REF	Cable Seal, 18 AWG, (Packard P/N 12059259)	2
17	REF	Cable Seal, 12 AWG, (Packard P/N 12059260)	1



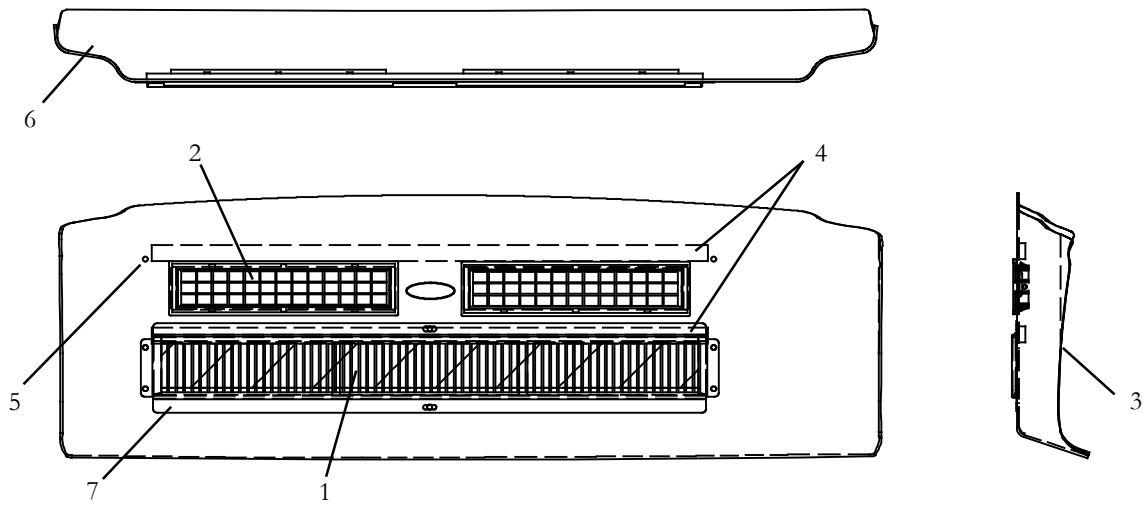
1.12.3 COVER ASSEMBLY, IW-4: OPTION 1



Item	Part Number	Description	Qty
-	79-62119-00	Cover Assembly, IW-4, TBB C2 Aftermarket, INCLUDES:	1
1	38-00573-11	...Filter, Air	1
2	58-62209-00	...Diffuser, Air	2
3	AC801-412	...Trim, Flexible	10.8 ft.
4	AC801-414	...Gasket	5.8 ft.
5	AC-801-529	...Washer, .25 DIA. Snap Cap	8
6	58-62156-12	...Cover, Dark Gray	1
7	68-63808-01	...Grille	1



1.12.3 COVER ASSEMBLY, IW-4: OPTION 2



Item	Part Number	Description	Qty
-	79-62119-01	Cover Assembly, IW-4, TBB C2, OEM, INCLUDES:	1
1	38-00573-11	...Filter, Air	1
2	58-62209-00	...Diffuser, Air	2
3	AC801-412	...Trim, Flexible	10.8 ft.
4	AC801-414	...Gasket	5.8 ft.
5	AC-801-529	...Washer, .25 DIA. Snap Cap	8
6	Y28-00014-00	...Cover, Gray	NSI
7	68-63808-01	...Grille	1



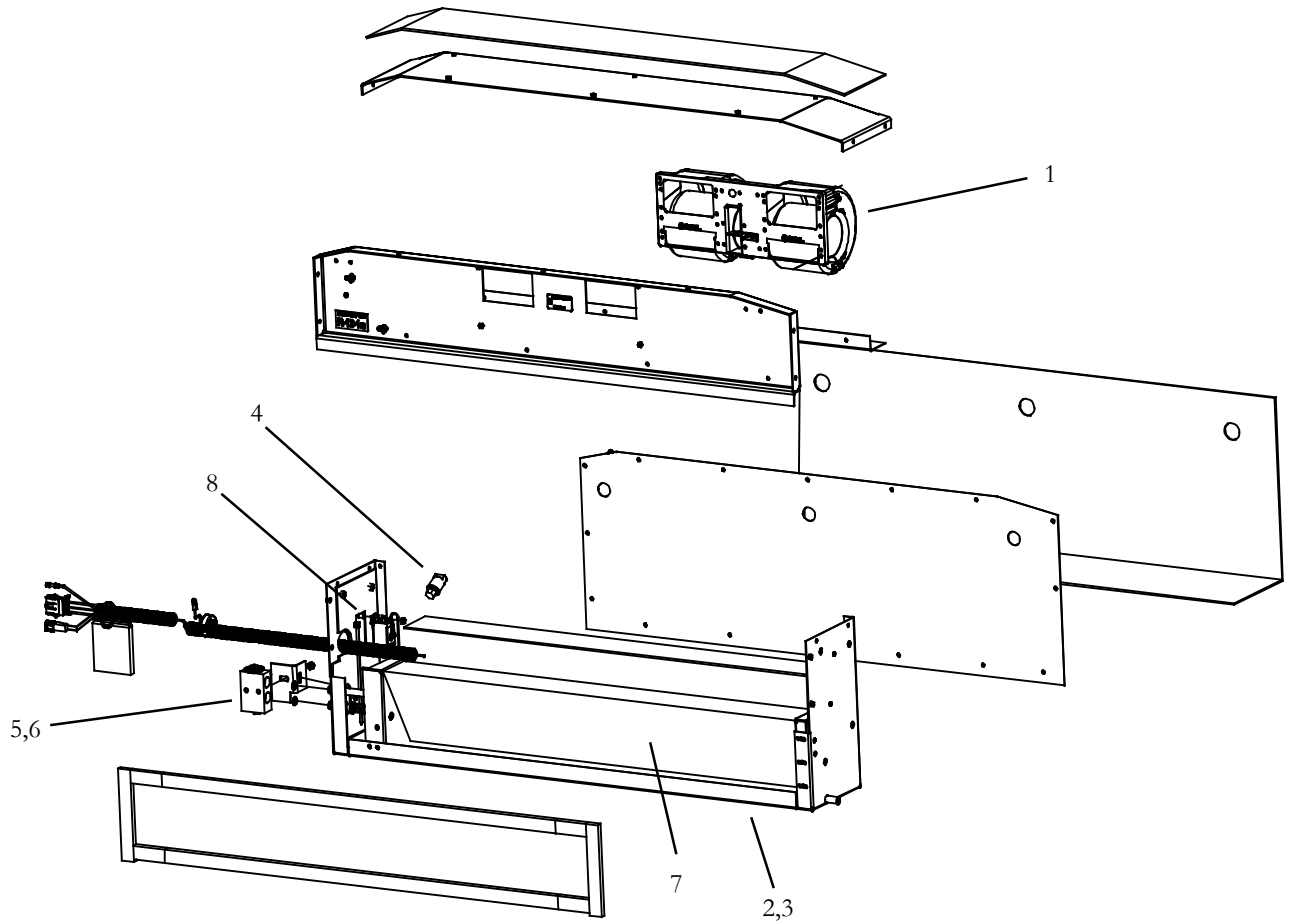
1.13 IW-5 IN-WALL EVAPORATORS

**OPTION TABLE - IW-5,
12 VDC - 3 Speed**

MODEL IW-5 Y19-IW501	Cover Kit <small>(see Section XXX)</small>	Chassis Kit <small>(see Section 1.13.1)</small>	Wire Harness <small>(see Section 1.13.2)</small>	Mount Brackets <small>(see Section 1.13.3)</small>
-00	-	1	1	1



1.13.1 EVAPORATOR, IW-5: OPTION 1



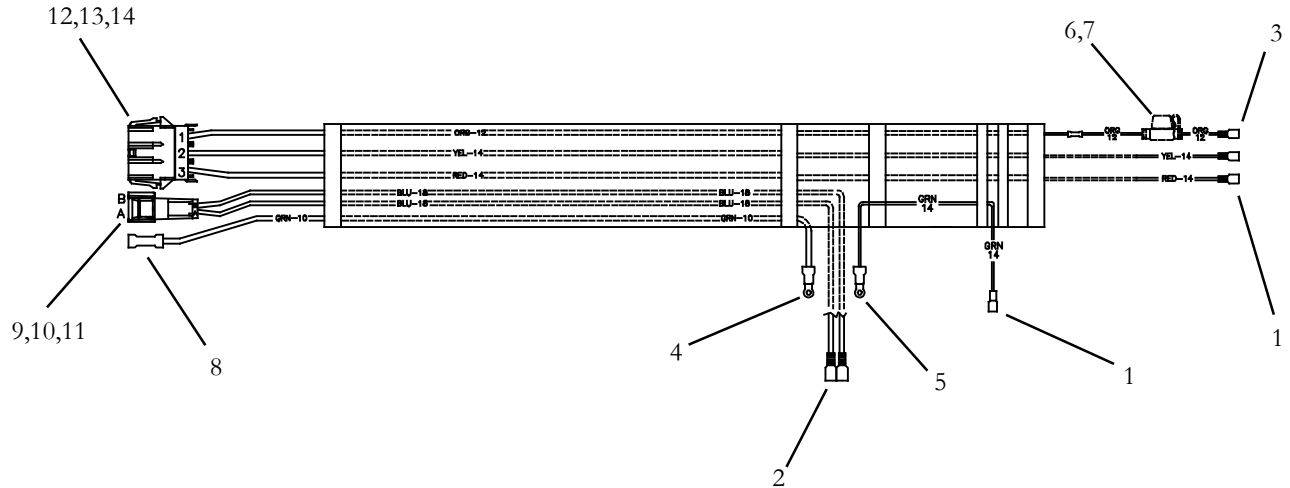
Ref: Y73- IW501- 00 & - 10

Item	Part Number	Description	Qty
-	-	Evaporator Chassis Assembly, IW-5 - Includes:	NSI
1	Y15-00003-00	...Blower Assembly, 12V	1
2	86-62460-00	...Drain Pan, Weld Assembly	1
3	022-313-1	...Baffle, Drain Pan	1
4	201-412	...Pressure Switch, Low	1
5	14-00397-00	...Valve, Expansion	1
6	801-202	...O-Rings, 1/2" HNBR	2
7	08-62056-01	...Coil, Evaporator, IW-5	1
8	12-00685-00	...Thermostat, Freeze	1



NOTE: Complete Wire Harnesses are Non-Stock Items. Replacement Components are Listed and can be cross referenced to supplier part number in manual T-375PL.

1.13.2 EVAPORATOR HARNESS , IW-5: OPTION 1

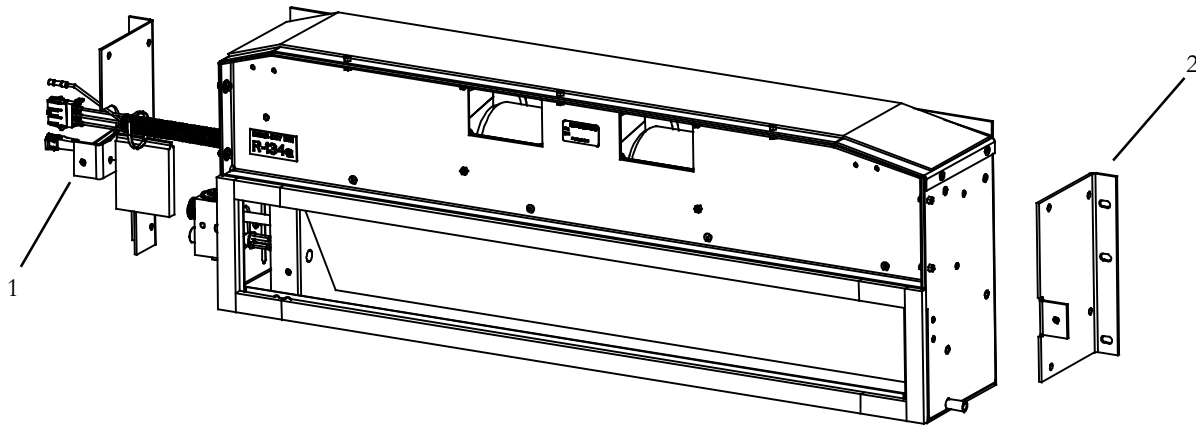


Ref: Y25- 00117- 00

Item	Part Number	Description	Qty
1	22-01141-01	Terminal, Female Push-On, 16/14 AWG (Amp P/N 3-350819-2)	3
2	22-01258-01	Terminal, Female Push-On, 18/22 AWG (Amp P/N 2-520184-2)	2
3	31-1247	Terminal, Female Push-On, 12/10 AWG (TE Connectivity P/N 4-520447-2)	1
4	22-01140-02	Terminal, Ring #10, 12/10 AWG (Amp P/N 35109)	1
5	22-01139-02	Terminal, Ring #10, 16/14 AWG (Tyco P/N 51864-2)	1
6	22-02338-07	Fuse Holder w/Cap (Littlefuse P/N FHM0002)	1
7	22-02336-25	Fuse, Mini, 20A (Littlefuse P/N 297020)	1
8	22-00066-03	Terminal, Butt Splice 12/10 AWG (Amp P/N 2-34072-2)	1
9	22-50099-37	Connector, Male, Unsealed (Delphi P/N 12129155)	1
10	22-50099-37A	. . . Terminal, Male, 16/18 AWG (Delphi P/N 12034047)	2
11	22-50099-37D	. . . TPA (Delphi P/N 12129157)	1
12	22-50099-32	Connector, Plug Housing 3 Way (Molex P/N 42818-0312)	1
13	Y31-00033-01	. . . Terminal, Male, 10/12 AWG (Molex P/N 42817-1014)	1
14	Y31-00033-02	. . . Terminal, Male, 14/16 AWG (Molex P/N 42817-1044)	2



1.13.3 EVAPORATOR MOUNTING BRACKETS, IW-5: OPTION 1



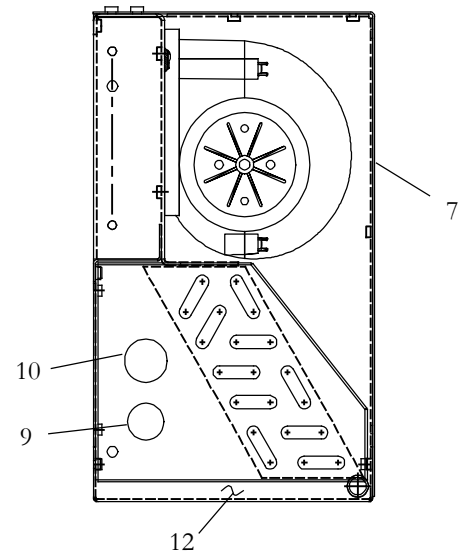
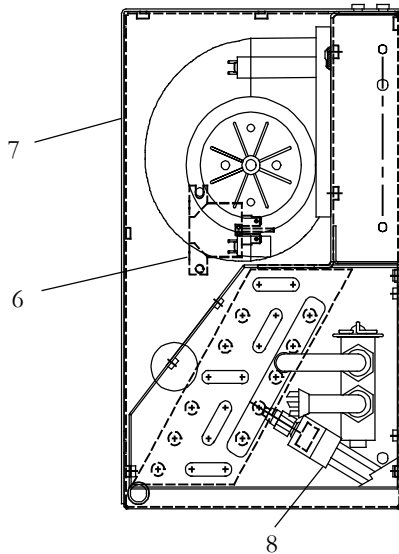
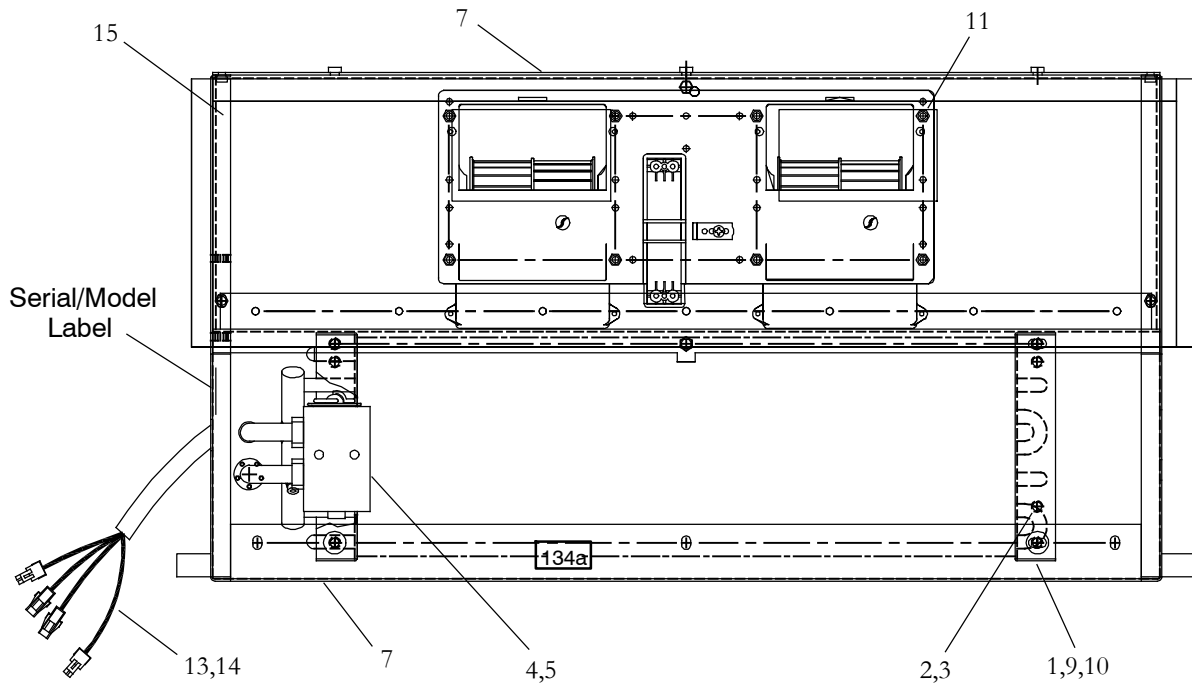
Ref: Y73- IW501- 10

Item	Part Number	Description	Qty
1	Y24-00186-00	Bracket, Mounting, BB-CV/T3	NSI
2	Y24-00187-00	Bracket, Mounting, BB-CV/T3	NSI



1.14 IW-7 IN-WALL EVAPORATORS

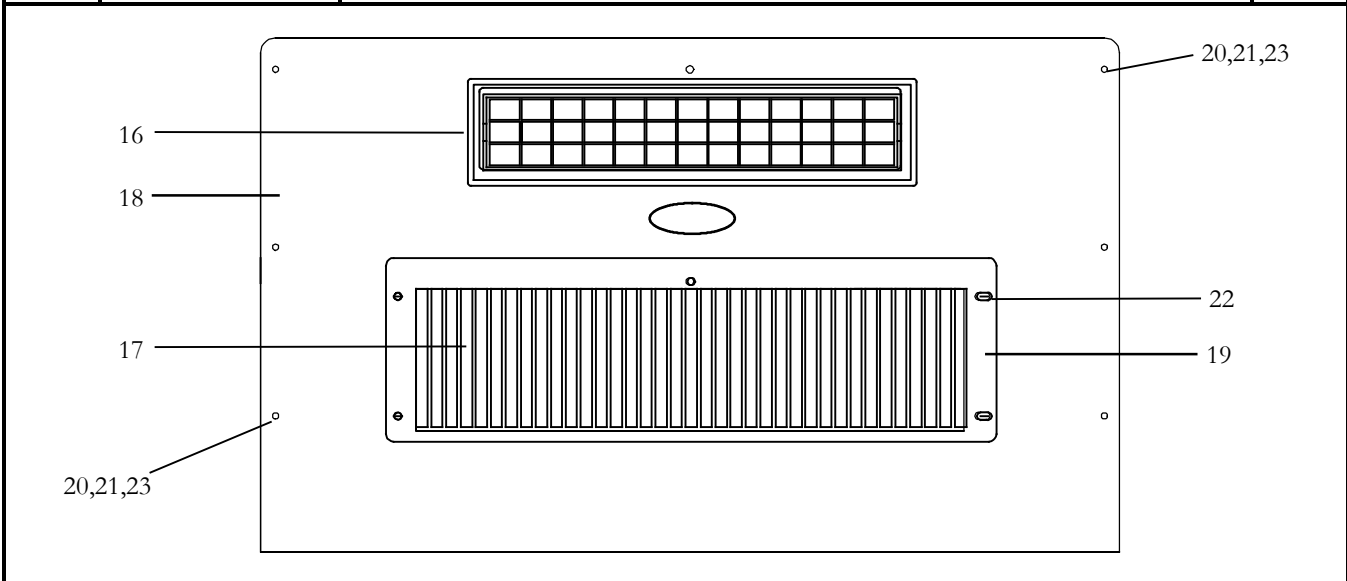
1.14.1 EVAPORATOR, IW-7 (77-62131-00)



Item	Part Number	Description	Qty
-	NSS	Evaporator Chassis Assembly, IW-7 - Includes:	1
1	N/A	...Coil, Evaporator, IW-7 - Includes:	1
2	40-01124-00Body, Valve, Schrader, Brass, 1/4 SAE Flare - Includes:	1



1.14.1 EVAPORATOR, IW-7, (77-62131-00) - Continued:			
Item	Part Number	Description	Qty
3	14-00351-00Core, Access Valve, (Nickel Plated)	1
4	14-00397-00	...Valve, Thermal Expansion Block, (R134a)	1
5	AC801-202	...O-Ring, 1/2 Inch HNBR	2
6	12-00547-00	...Thermostat, Freeze-Up, Non Adjustable	1
7	AC801-416	...Gasket, Foam, 1/8 X 12-3/4 Inch (25 Ft. Roll)	1
8	AC201-412	...Switch, Low Pressure	1
9	58-00065-26	...Grommet, 3/4 Inch I.D.	2
10	58-00065-83	...Grommet, 1 Inch I.D.	2
11	54-00606-00	...Fan & Motor Assembly, Permanent Magnet, 12 VDC	1
12	AC022-313-3	...Baffle, Drain Pan	1
13	22-62175-00	...Harness, Evaporator, IW-7, Includes:	NSI
14	AC201-600Diode, 6 Amp, 250 Volt	1
N/S	42-00032-01	...Tape, Insulation, Presstite, 2.00 X 48.00 Inches Long	1
15	AC801-414	...Gasket, Foam, 3/8 X 1.00 Inch, (25 Foot Roll)	1
16	AC401-320	Diffuser, Air, EM-1/2/3/6, GEN 3 (Used With OEM Supplied Grill Assy)	1
17	38-00573-05	Filter, Air, IW-7, (5.5 X 19. Inches) (Used With OEM Supplied Grill Assy)	1
18	68-07965-00	Cover	1
19	68-07964-00	Grille	1
20	AC801-529	Washer, Snap Cap	12
21	AC801-531	Cap, Snap, White	12
22	N/A	Screw, Pan Head, TF, #10-16 X .63 Inch Long	6
23	N/A	Screw, Pan Head, #10-32 X .50 Inch Long, Zinc	6





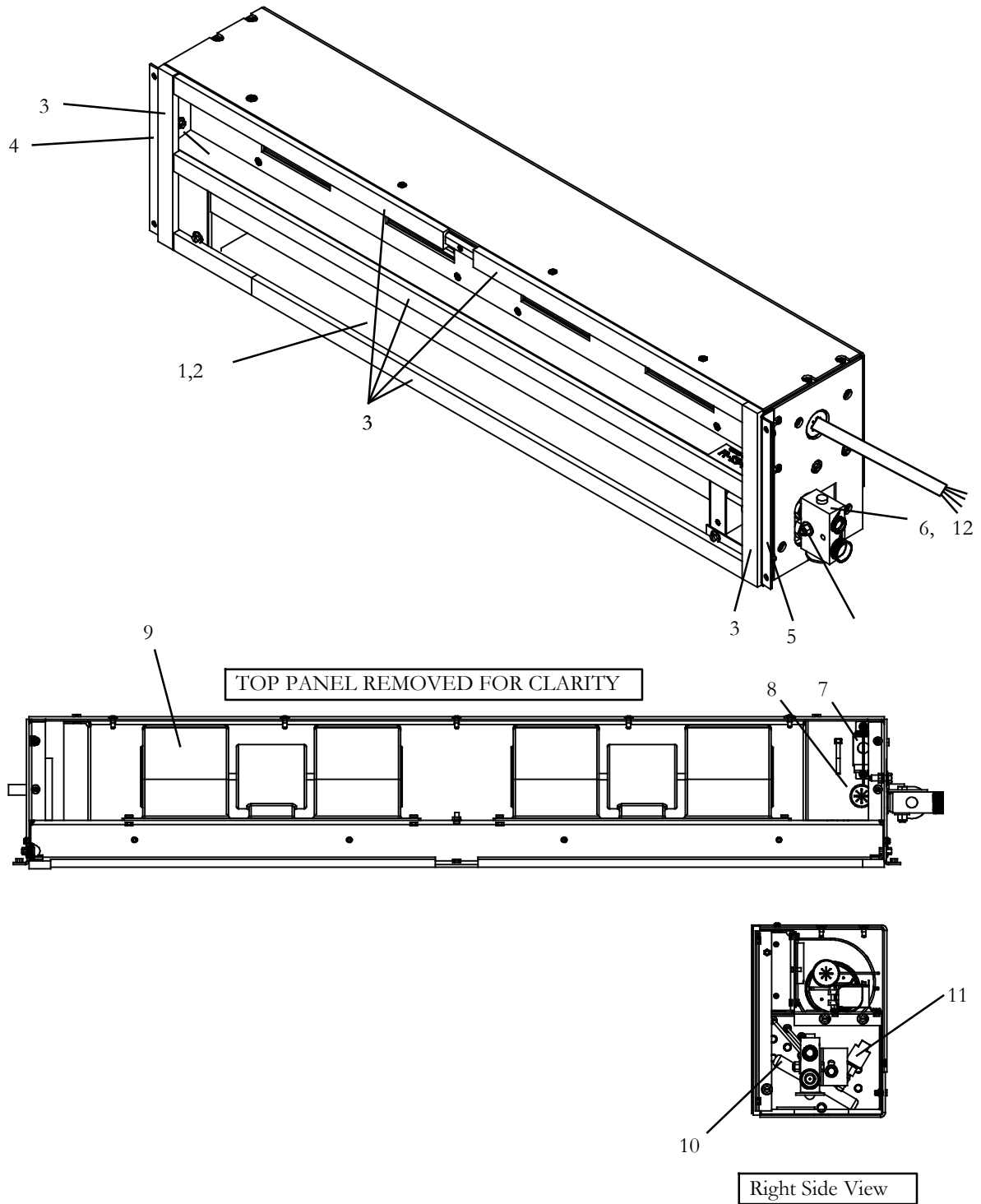
1.15 IW-10 IN-WALL EVAPORATORS

**OPTION TABLE - IW-10,
12 VDC - 3 Speed**

MODEL IW-10 77-62233	Cover Kit <small>(see Section 1.15.4)</small>	Chassis Kit <small>(see Section 1.15.1)</small>	Wire Harness <small>(see Section 1.15.3)</small>	Mount Brackets <small>(see Section 1.15.2)</small>
-00	5	2	1	-
-01	5	2	1	1
-02	-	2	1	-
-03	2	2	1	1
-04	2	2	2	2
-05	3	2	1	-
-06	4	2	1	-
-07	6	2	1	1
-08	3	2	1	-
-09	4	2	1	-
-10	3	2	1	-
-11	3	2	3	-
-12	6	2	1	-
-13	4	3	4&5	-
-14	7	2	1	1
-15	4	3	4&5	-



1.15.1 EVAPORATOR, Chassis Kit IW-10, (INACTIVE): OPTION 1

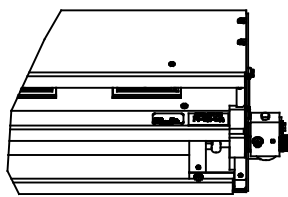
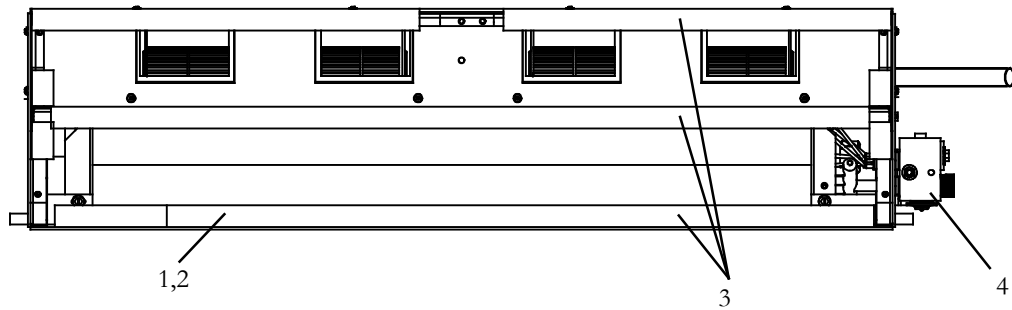
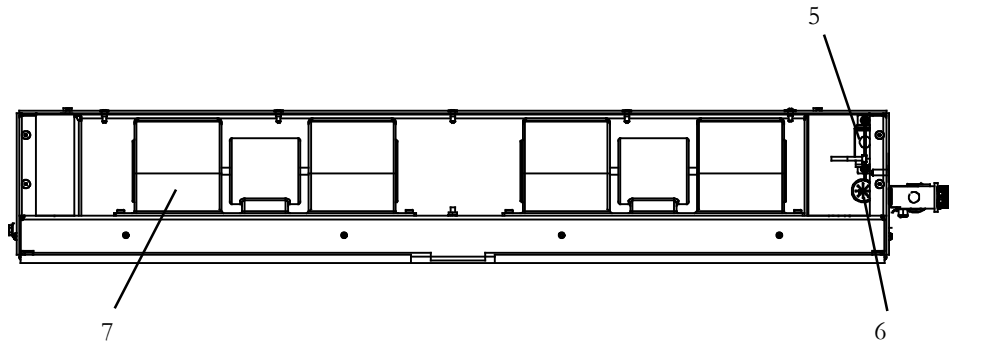




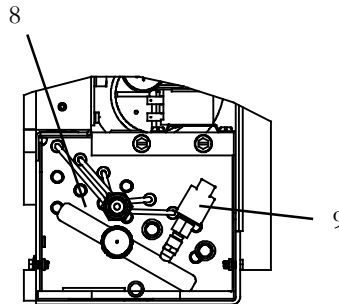
1.15.1 EVAPORATOR, Chassis Kit (77-62200-00), IW-10, (INACTIVE) Continued: OPTION 1			
Item	Part Number	Description	Qty
-	NSS	Evaporator Chassis Assembly, IW-10 - Includes:	1
1	86-62509-00	...Weld Assembly, Bottom (Drain Pan w/Side Panels)	1
2	AC022-313-5	...Baffle, Drain Pan	1
3	AC801-414	...Gasket, 3/8 x 1 in. Soft	12 ft
4	68-08250-00	...Bracket, Mounting, LH,	NSI
5	68-08211-00	...Bracket, Mounting, RH,	NSI
6	14-00397-00	...Valve, Expansion (TXV)	1
7	12-00685-00	...Thermostat, Freeze Up, Non-Adjustable	1
8	58-00661-04	...Bushing, 1.00 in. DIA. Hole	1
9	AC401-203	...Fan & Motor Assembly	2
10	08-62076-00	...Coil Assembly, Evaporator	1
11	AC201-412	...Pressure Switch, Low	1
12	AC801-202	...O-Ring,	2



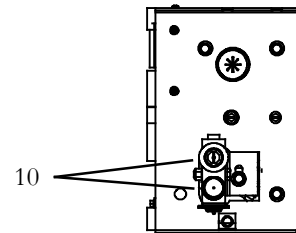
1.15.1 EVAPORATOR, Chassis Kits IW10 : COMMON PARTS: OPTION 2



Label Detail



Coil Detail



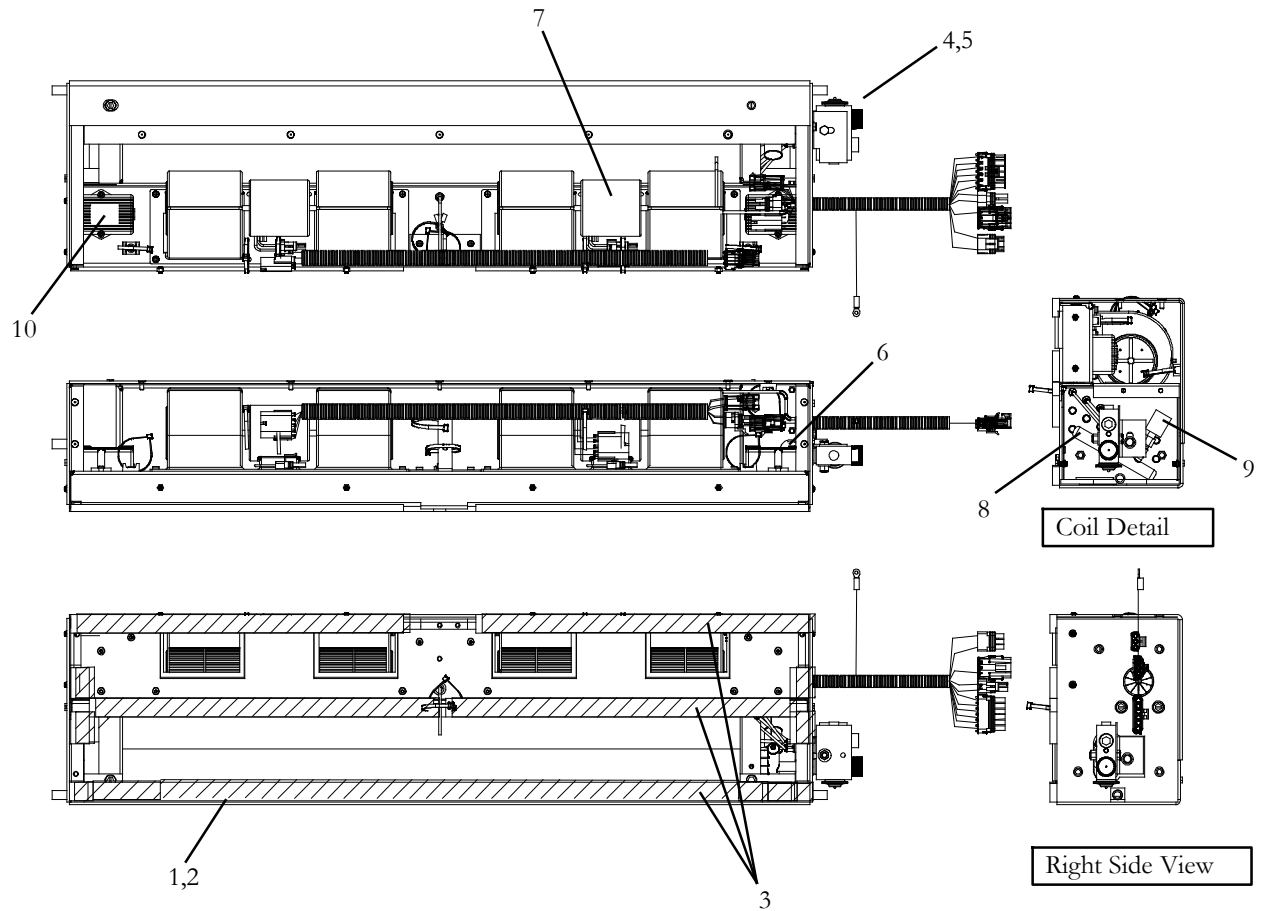
Right Side View



1.15.1 EVAPORATOR, Chassis Kit IW-10 : COMMOM PARTS : OPTION 2 (Continued)			
Item	Part Number	Description	Qty
-	77-62200-XX	Evaporator Chassis Assembly, IW-10 - Includes:	1
1	86-62587-00	...Weld Assembly, Bottom (Drain Pan w/Side Panels)	1
2	AC022-313-5	...Baffle, Drain Pan	1
3	AC801-414	...Gasket, 3/8 x 1 in. Soft	12 ft
4	14-00397-00	...Valve, Expansion (TXV)	1
5	12-00685-00	...Thermostat, Freeze Up, Non-Adjustable	1
6	58-00661-04	...Bushing, 1.00 in. DIA. Hole	1
7	AC401-203	...Fan & Motor Assembly	2
8	08-62076-00	...Coil Assembly, Evaporator	1
9	AC201-412	...Pressure Switch, Low	1
10	AC801-202	...O-Ring,	2



1.15.1 EVAPORATOR, Chassis Kit IW-10 : COMMOM PARTS : OPTION 3



1.15.1 EVAPORATOR, Chassis Kit (77-62200-05), IW-10 : COMMOM PARTS : OPTION 3 (Continued)

Item	Part Number	Description	Qty
-	77-62200-XX	Evaporator Chassis Assembly, IW-10 - Includes:	NSI
1	86-62587-01	...Weld Assembly, Bottom (Drain Pan w/Side Panels)	1
2	AC022-313-5	...Baffle, Drain Pan	1
3	AC801-414	...Gasket, 3/8 x 1 in. Soft	12 ft
4	14-00397-00	...Valve, Expansion (TXV)	1
5	AC801-202	...O-Ring,	2
6	58-00661-04	...Bushing, 1.00 in. DIA. Hole	1
7	Y15-00009-00	...Fan & Motor Assembly	2
8	08-62076-00	...Coil Assembly, Evaporator	1
9	Y25-00232-01	...Pressure Switch, Low	1
10	Y35-00106-00	...Speed Controller, Motor	2

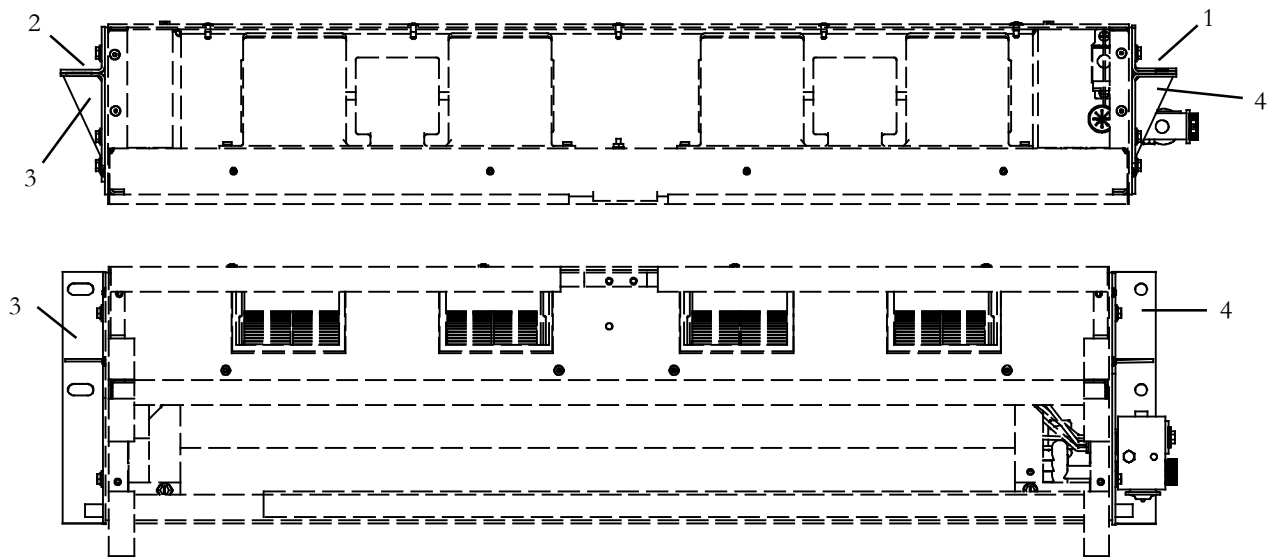


1.15.2 EVAPORATOR, Mounting Brackets, IW-10 : OPTION 1



Item	Part Number	Description	Qty
1	86-62588-00	...Weld Assembly, Mounting, RH Side	NSI
2	86-62589-00	...Weld Assembly, Mounting, LH Side	NSI

1.15.2 EVAPORATOR, Mounting Brackets, IW-10 : OPTION 2

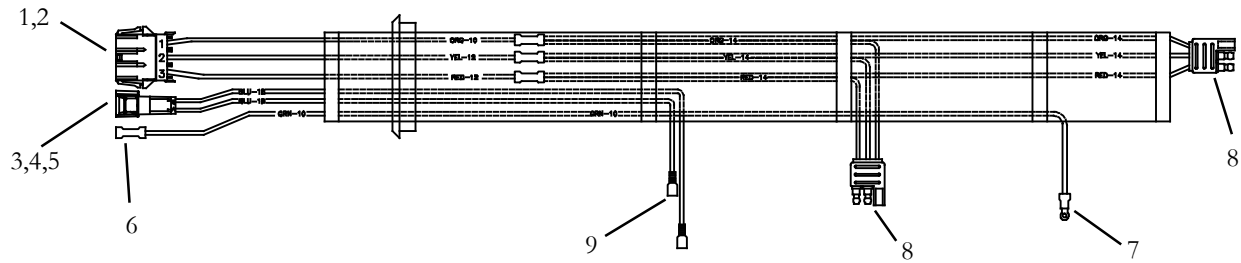


Item	Part Number	Description	Qty
1	Y24-00021-00	...Bracket, Mounting, RH Side	NSI
2	Y24-00022-00	...Bracket, Mounting, LH Side	NSI
3	Y24-00068-00	...Weld Assembly, Mounting, LH Side	NSI
4	Y24-00069-00	...Weld Assembly, Mounting, RH Side	NSI



NOTE: Complete Wire Harnesses are Non-Stock Items. Replacement Components are Listed and can be cross referenced to supplier part number in manual T-375PL.

1.15.3 EVAPORATOR HARNESS, IW-10: OPTION 1

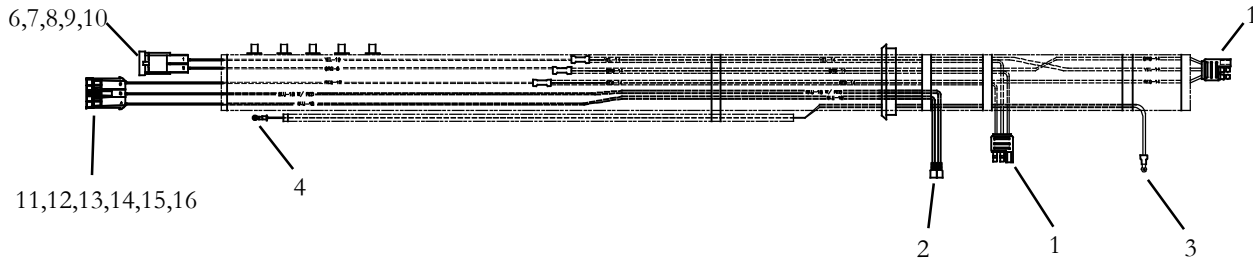


Item	Part Number	Description	Qty
1	22-50099-32	Connector, Plug Housing (3 position) (Molex# 42818-0312)	1
2	22-50099-32A	Terminal, Male, 10/12 AWG (Molex# 42817-0011)	3
3	22-50099-37	Connector, Male Unsealed (Delphi# 12129155)	1
4	22-50099-37A	Terminal, Male, 16/18 AWG (Delphi# 12034047)	2
5	22-50099-37D	Lock, Secondary (Delphi# 12129157)	1
6	22-00066-03	Terminal, Butt Splice, 10/12 AWG (AMP# 2-34072-2)	1
7	22-01140-02	Terminal, Ring #10, 10/12 AWG (AMP# 35109)	1
8	N/A	Connector,Electrical, Motor	2
9	22-01258-01	Terminal, Female Push-on, 18/22 AWG (AMP# 2-520184-2)	2



NOTE: Complete Wire Harnesses are Non-Stock Items. Replacement Components are Listed and can be cross referenced to supplier part number in manual T-375PL.

1.15.3 EVAPORATOR HARNESS, IW-10: OPTION 2

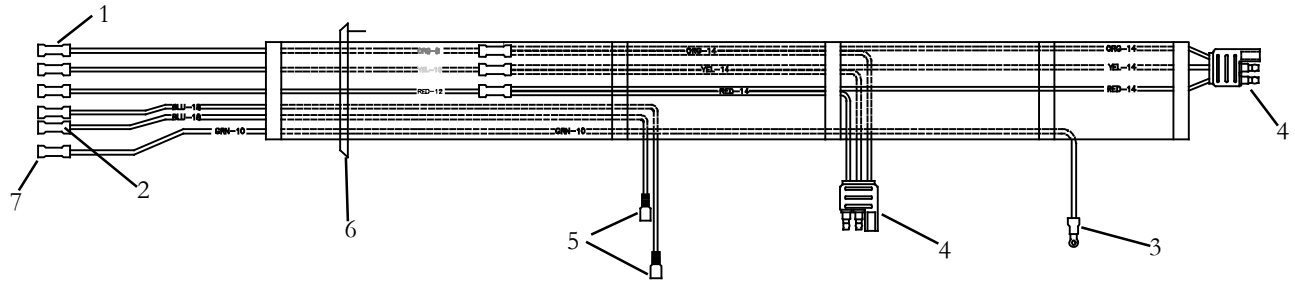


Item	Part Number	Description	Qty
1	N/A	Connector, Plug (Motor)	2
2	22-01258-01	Terminal, Female Push-On, 18/22 AWG (AMP# 2-520184-2)	2
3	22-00872-01	Terminal, Ring #10, 8 AWG (AMP# 52263-1)	1
4	22-00872-03	Terminal, Ring 5/16 , 8 AWG (AMP# 52291)	1
5	58-00661-07	Bushing	1
6	22-50098-67	Connector, Male, 2 position (Tyco# 1544334-1)	1
7	22-50098-67B	Terminal, Male, 8 AWG (Tyco# 1544333-1)	1
8	22-50098-67D	Cable Seal, 8 AWG (Tyco# 1544316-2)	1
9	22-50098-67A	Terminal, Male, 10/12 AWG (Tyco# 1544332-1)	1
10	22-50098-67C	Cable Seal, 10/12 AWG (Tyco# 1544316-1)	1
11	22-50078-86	Connector, Male, 3 position (Delphi# 12124686)	1
12	22-50078-49A	Terminal, Male, 18 AWG (Delphi# 12064734)	2
13	22-50078-53C	Cable Seal, 18 AWG (Delphi# 12052388)	2
14	22-50078-49C	Terminal, Male, 12 AWG (Delphi# 12064737)	1
15	22-50078-53D	Cable Seal, 12 AWG (Delphi# 15324996)	1
16	22-50078-86A	Lock, Secondary (Delphi# 12045699)	1



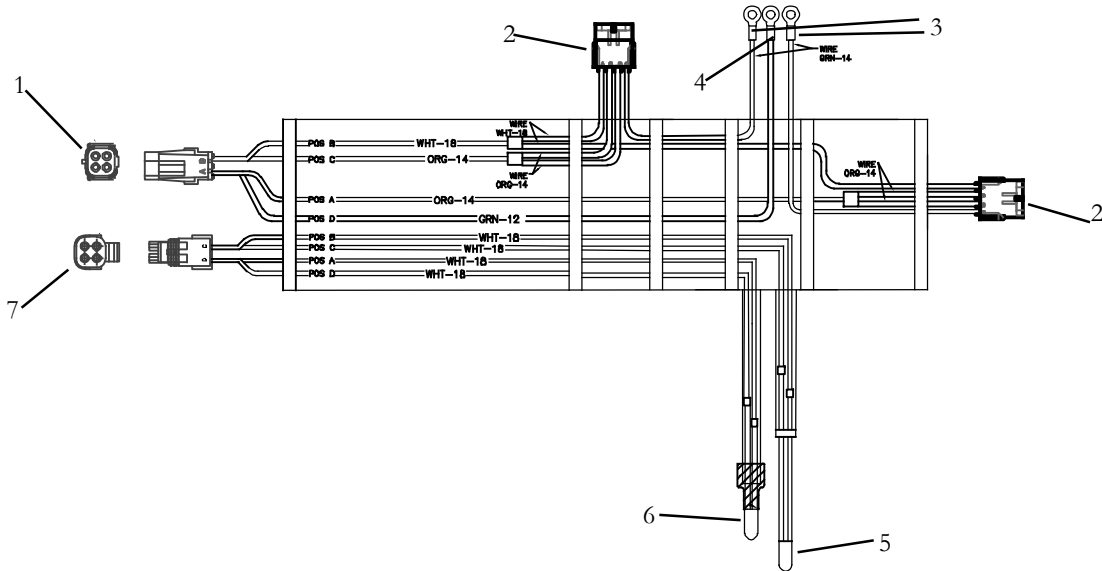
NOTE: Complete Wire Harnesses are Non-Stock Items. Replacement Components are Listed and can be cross referenced to supplier part number in manual T-375PL.

1.15.3 EVAPORATOR HARNESS, IW-10: OPTION 3



Item	Part Number	Description	Qty
1	Y31-00032-03	Terminal, Butt Splice 8, GA, Heat Sealable (Molex P/N 191640079)	1
2	Y31-00032-00	Terminal, Butt Splice 22-16 AWG, Heat Sealable (Molex P/N 191640013)	2
3	22-01140-02	Terminal, Ring # 10, 12-10 AWG (Amp P/N 35109)	1
4	N/A	Connector	2
5	22-01258-01	Terminal, Female Push-On ¼" 22-18 AWG (Amp P/N 2-520184-2)	2
6	58-00661-06	Bushing, Universal	1
7	Y31-00032-02	Terminal, Butt Splice 12-10 AWG, Heat Sealable (Molex P/N 191640056)	3

1.15.3 EVAPORATOR HARNESS, IW-10: OPTION 4

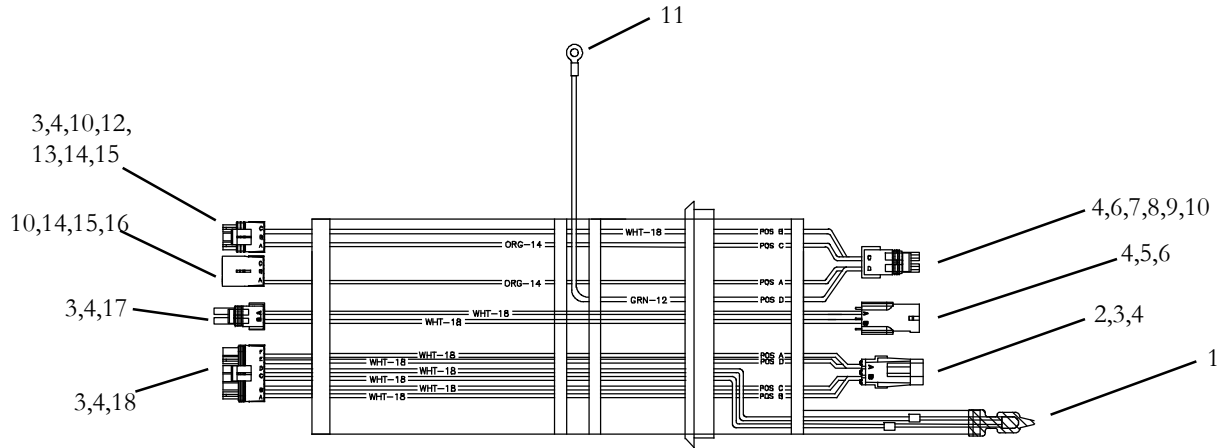


Item	Part Number	Description	Qty
1	31-1061	4 Way Packard Connector (Packard P/N 12015024)	1
2	22-02392-03	Connector, Male, 4M, Weather-pack Shroud (Packard P/N 12010974)	2
3	22-01139-02	Ring, Terminal (Tyco P/N 51864-2)	2
4	22-01140-02	Ring, Terminal (Amp P/N 35109)	1
5	35-0176	Return Air Sensor	1
6	35-0176	After Coil Air Sensor	1
7	31-1060	4 Way Packard Connector (Packard P/N 12015798)	1



NOTE: Complete Wire Harnesses are Non-Stock Items. Replacement Components are Listed and can be cross referenced to supplier part number in manual T-375PL.

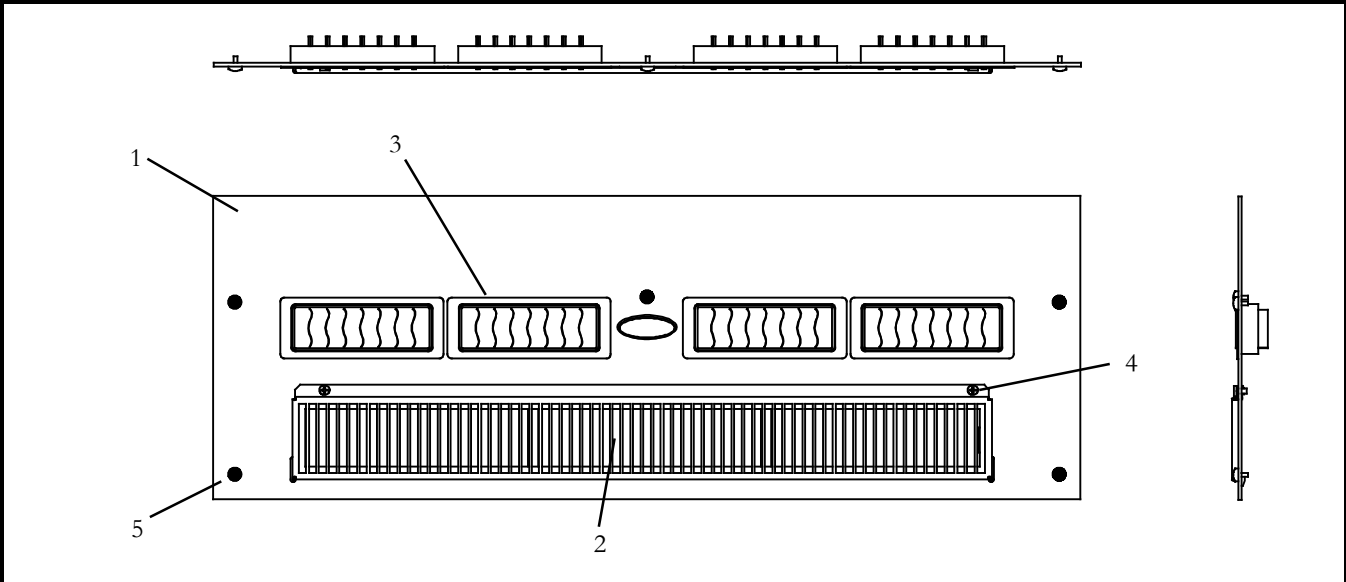
1.15.3 EVAPORATOR HARNESS, IW-10: OPTION 5



Item	Part Number	Description	Qty
1	35-0176	Sensor, Coil Freeze	1
2	31-1061	4 Way, Connector, Shroud (Packard P/N 12015024)	1
3	22-02393-01	Terminal, Male, 18AWG (Packard P/N 12089040)	11
4	22-02394-02	Seal, Green (Packard P/N 12015284)	14
5	22-02392-00	2 Way, Connector, Shroud (Packard P/N 12010973)	1
6	22-01566-01	Terminal, Female, 18AWG (Packard P/N 12089188)	3
7	31-1060	4 Way, Connector, Tower (Packard P/N 12015798)	1
8	22-01566-00	Terminal, Female, 14AWG (Packard P/N 12124580)	3
9	22-02394-00	Seal, Gray (Packard P/N 12015359)	2
10	22-02394-01	Seal, Blue (Packard P/N 12015360)	3
11	22-01140-02	Ring, Terminal (Amp P/N 35109)	1
12	22-50098-59	3 Way, Connector, Tower (Packard P/N 12015793)	1
13	22-50098-59B	Seal, Connector (Packard P/N 12010718)	1
14	22-02393-00	Terminal, Male, 14AWG (Packard P/N 12124582)	2
15	22-50078-55	Plug, Cavity (Packard P/N 12010300)	3
16	22-50098-60	3 Way, Connector, Shroud (Packard P/N 12010717)	1
17	22-01585-00	2 Way, Connector, Tower (Packard P/N 12015792)	1
18	22-50099-00	6 Way, Connector, Tower (Packard P/N 12015799)	1



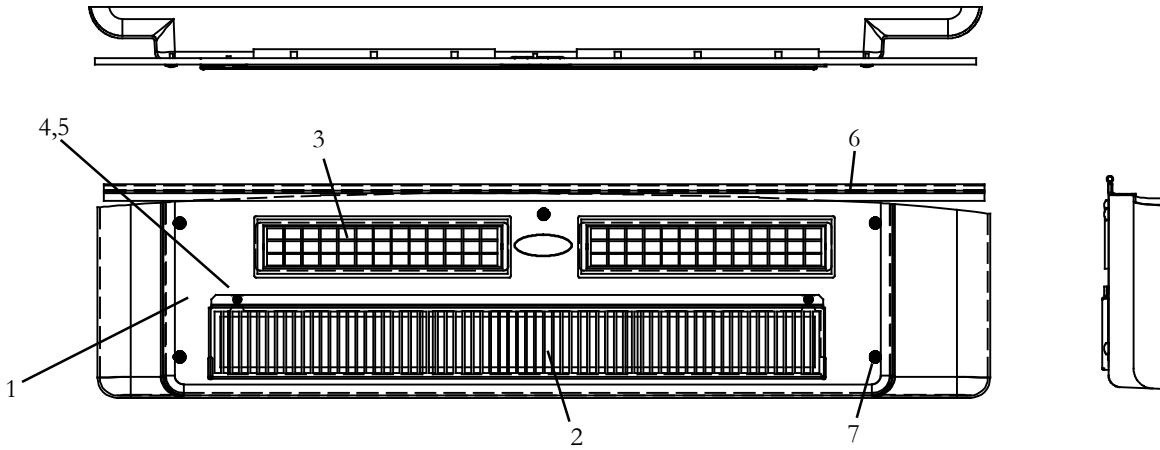
1.15.4 COVER ASSEMBLY, EVAPORATOR, IW-10: OPTION 1



Item	Part Number	Description	Qty
1	79-62125-00	Cover Assembly, White, Includes:	1
	79-62125-01	Cover Assembly, Gray, Includes:	1
2	38-00573-12	Filter, Air, IW-10 (34.28 in. X 3.84 in.)	1
3	58-62042-00	Diffuser, Air, Adjustable Rectangle	4
4	AC701-106-2	Nut, Speed 'U', 1/4 - 20 x .19 Grip	NSI
5	76-62103-08	Hardware Kit, White	1
	76-62103-09	Hardware Kit, Gray	1

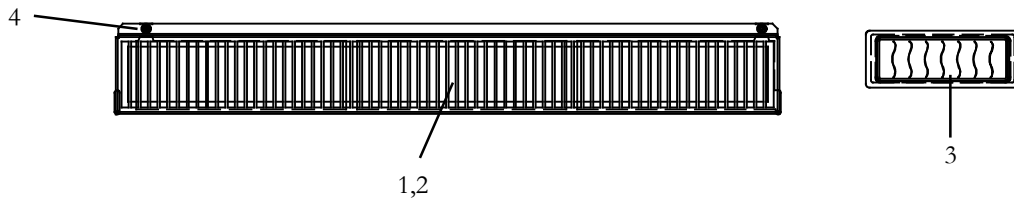


1.15.4 COVER ASSEMBLY, EVAPORATOR, IW-10: OPTION 2



Item	Part Number	Description	Qty
1	79-62125-03	Cover, Gray, Formed, TBB Aftermarket, (Used On 77-62233-03) Includes:	1
	79-62125-04	Cover, Gray, Formed, TBB OEM, (Used On 77-62233-04) Includes:	1
2	38-00573-12	Filter, Air, IW-10 (34.28 in. X 3.84 in.)	1
3	58-62209-00	Diffuser, Air, Adjustable Rectangle	2
4	AC701-106-2	Nut, Speed 'U', ¼ - 20 x .19 Grip	NSI
5	AC801-307	¼" - 20 x ¾" Screw, Nylon, Knurled Head	2
6	42-00264-63	Seal, Trim, Black PVC/Neoprene	10 ft
7	76-62103-09	Hardware Kit, Gray	1

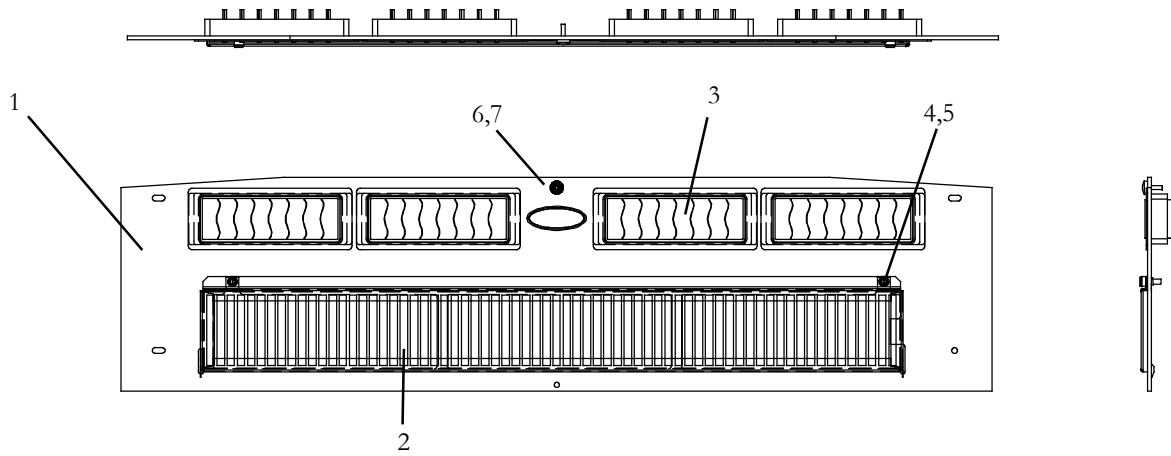
1.15.4 COVER ASSEMBLY, EVAPORATOR, IW-10: OPTION 3



Item	Part Number	Description	Qty
1	68-63737-00	Grille, Evaporator, IW-10	1
2	38-00573-12	Filter, Air, IW-10 (34.28 in. X 3.84 in.)	1
3	58-62042-00	Diffuser, Air, Adjustable Rect.	4
4	AC701-106-2	Nut, Speed 'U', ¼-20 x .19 Grip	NSI



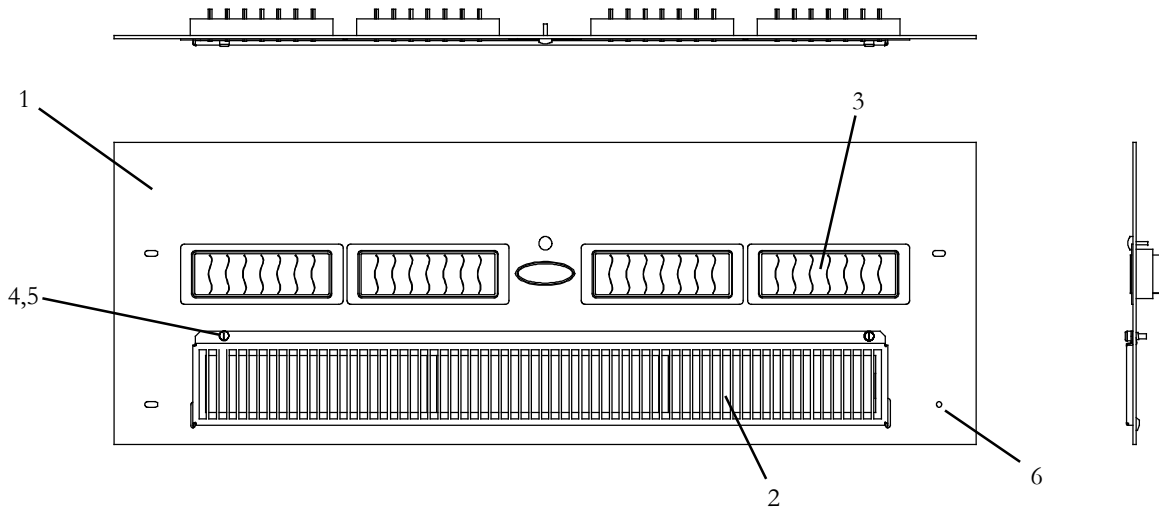
1.15.4 COVER ASSEMBLY, EVAPORATOR, IW-10: OPTION 4



Item	Part Number	Description	Qty
1	79-62125-05	Cover, White, Includes:	1
	79-62125-11	Cover, Gray, Includes:	1
2	38-00573-12	Filter, Air, IW-10 (34.28 in. X 3.84 in.)	1
3	58-62042-00	Diffuser, Air, Adjustable Rectangle	4
4	AC701-106-2	Nut, Speed 'U', 1/4 - 20 x .19 Grip	NSI
5	AC801-307	1/4" - 20 x 3/4" Screw, Nylon, Knurled Head	2
6	AC801-529	Washer, .15 DIA. Snap Cap	5
7	76-62103-08	Hardware Kit, White	1
	76-62103-09	Hardware Kit, Gray	1



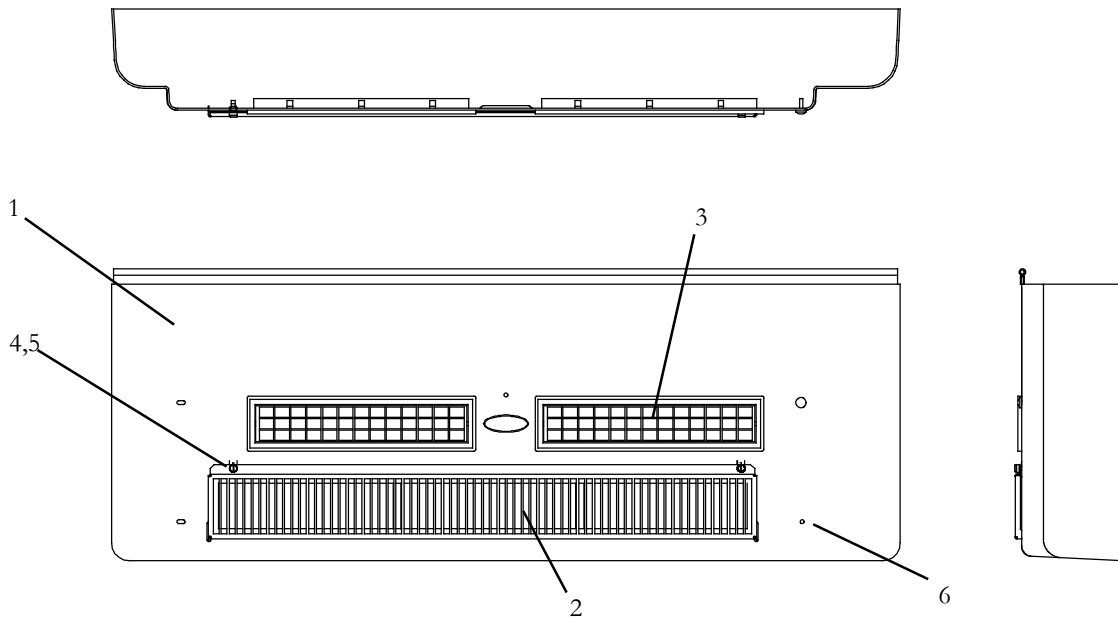
1.15.4 COVER ASSEMBLY, EVAPORATOR, IW-10: OPTION 5



Item	Part Number	Description	Qty
1	79-62125-06	Cover, White, Includes:	1
	79-62125-07	Cover, Gray, Includes	1
2	38-00573-12	Filter, Air, IW-10 (34.28 in. X 3.84 in.)	1
3	58-62042-00	Diffuser, Air, Adjustable Rectangle	4
4	AC701-106-2	Nut, Speed 'U', 1/4 - 20 x .19 Grip	NSI
5	AC801-307	1/4" - 20 x 3/4" Screw, Nylon, Knurled Head	2
6	76-62103-08	Hardware Kit, White	1
	76-62103-09	Hardware Kit, Gray	1



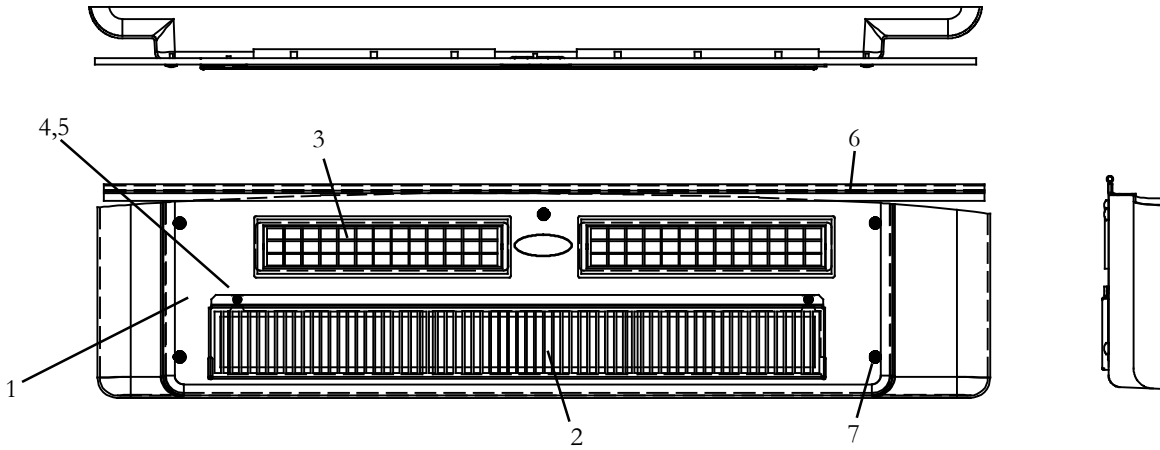
1.15.4 COVER ASSEMBLY, EVAPORATOR, IW-10: OPTION 6



Item	Part Number	Description	Qty
1	79-62125-09	Cover, White, Includes:	1
	79-62125-08	Cover, Gray, Includes:	1
2	38-00573-12	Filter, Air, IW-10 (34.28 in. X 3.84 in.)	1
3	58-62209-00	Diffuser, Air, Adjustable Rectangle	2
4	AC801-307	1/4" - 20 x 3/4" Screw, Nylon, Knurled Head	2
5	AC701-106-2	Nut, Speed 'U', 1/4 - 20 x .19 Grip	NSI
6	76-62103-08	Hardware Kit, White	1
	76-62103-09	Hardware Kit, Gray	1



1.15.4 COVER ASSEMBLY, EVAPORATOR, IW-10: OPTION 7

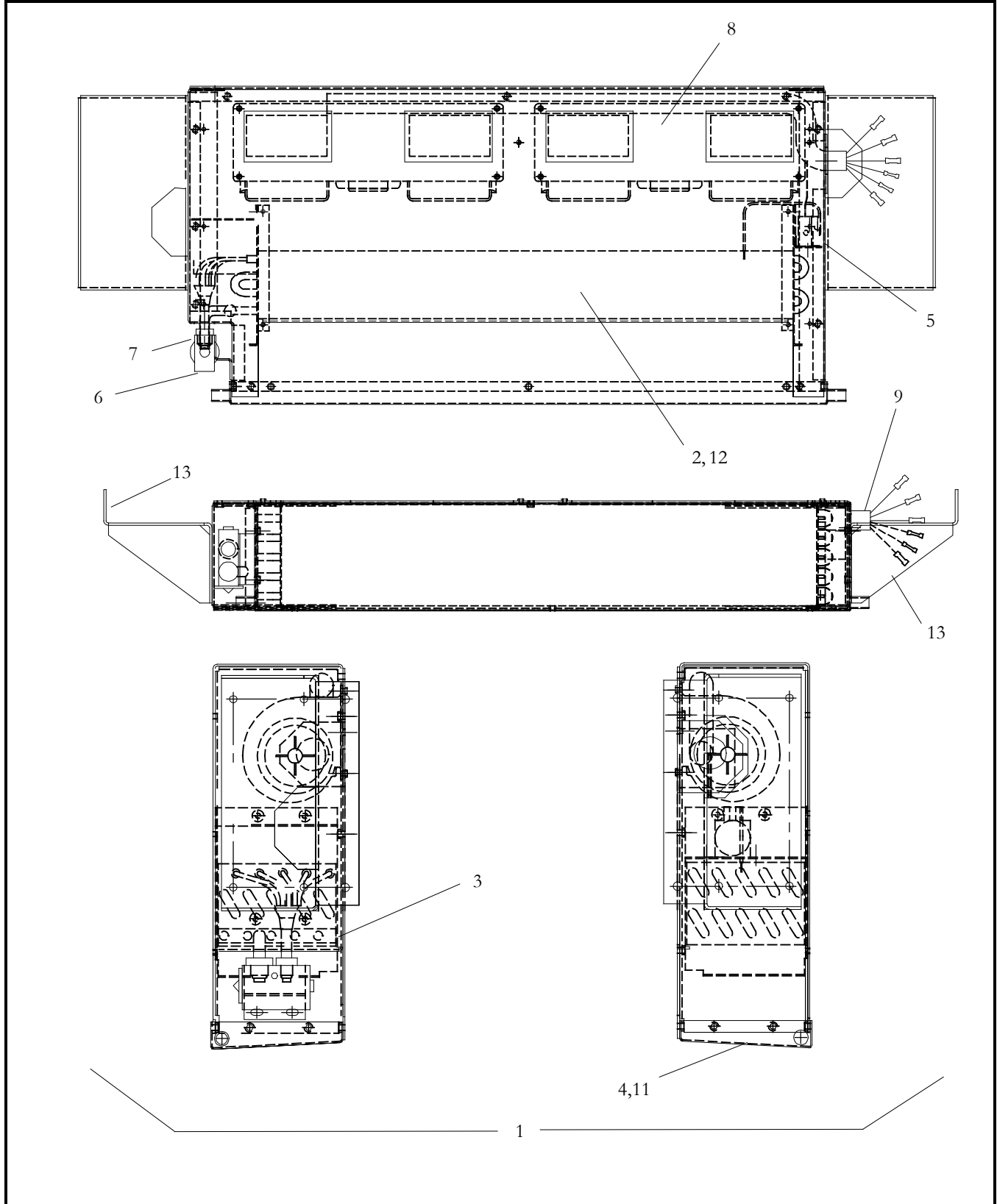


Item	Part Number	Description	Qty
1	79-62125-12	Cover, Gray, Formed, TBB C2 Aftermarket w/Rear Light	1
2	38-00573-12	Filter, Air, IW-10 (34.28 in. X 3.84 in.)	1
3	58-62209-00	Diffuser, Air, Adjustable Rectangle	2
4	34-01306-00	Nut, Chimney	NSI
5	AC801-307	1/4" - 20 x 3/4" Screw, Nylon, Knurled Head	2
6	42-00264-63	Seal, Trim, Black PVC/Neoprene	10 ft
7	76-62103-09	Hardware Kit, Gray	1



1.16 IW-14 IN-WALL EVAPORATORS

1.16.1 EVAPORATOR, IW-14, (77-62080-00)

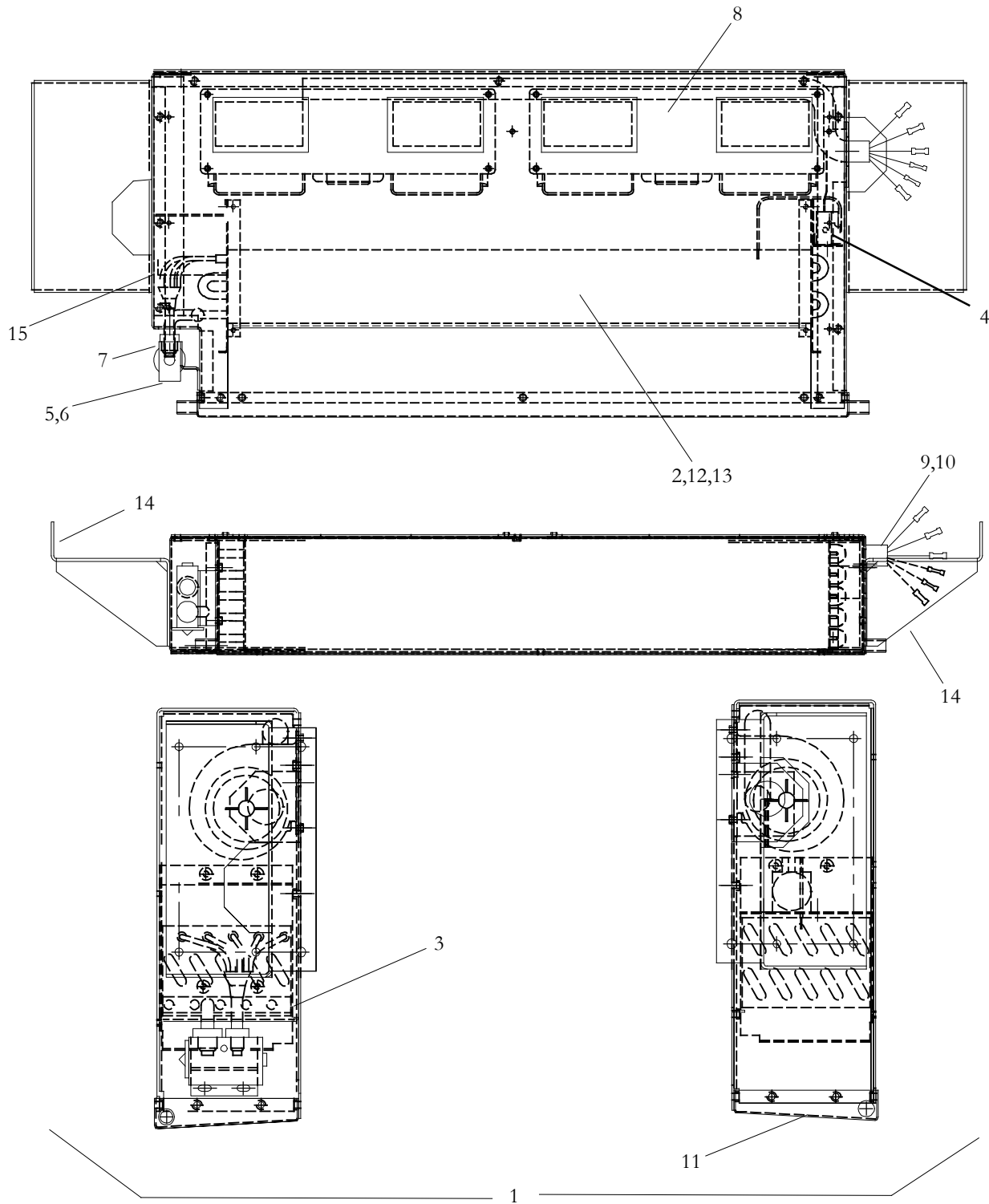




1.16.1 EVAPORATOR, IW-14, (77-62080-00) - Continued:			
Item	Part Number	Description	Qty
1	NSS	Chassis Assembly, Evaporator, IW-14 - Includes:	1
2	08-62064-00	Coil Assembly, 4 Row, W/O Reheat	1
3	AC801-416	Gasket, Foam, 1/8 X 12-3/4 Inch (300Ft. Roll)	1
4	AC022-746-1	Gasket, Drain Pan, .50 Thick X 5.50 X 33.25	1
5	12-00685-00	Thermostat, Freeze-Up, Non Adjustable	1
6	14-00397-00	Valve, Thermal Expansion Block, (R134a)	1
7	AC801-202	O-Ring, 1/2 Inch HNBR	2
8	AC401-203	Blower Assembly, EM-14, 12 VDC	2
9	AC022-744	Harness, Evaporator, EM-14, (12/24 VDC) - Includes:	1
10	N/A	Connector, Molded Plug With 60.00 Inch leads	2
11	86-62262-00	Panel Assembly, Drain Pan	1
NS	42-00032-00	Tape, Insulation, Presstite, 2.00 Inch X 30 Feet Long	1
12	AC801-414	Gasket, Foam, 3/8 X 1 Inch X 25 Foot Roll	1
13	68-63268-00	Bracket, Mounting	NSI



1.16.1 EVAPORATOR, IW-14, WITH LP SWITCH (77-62080-01)

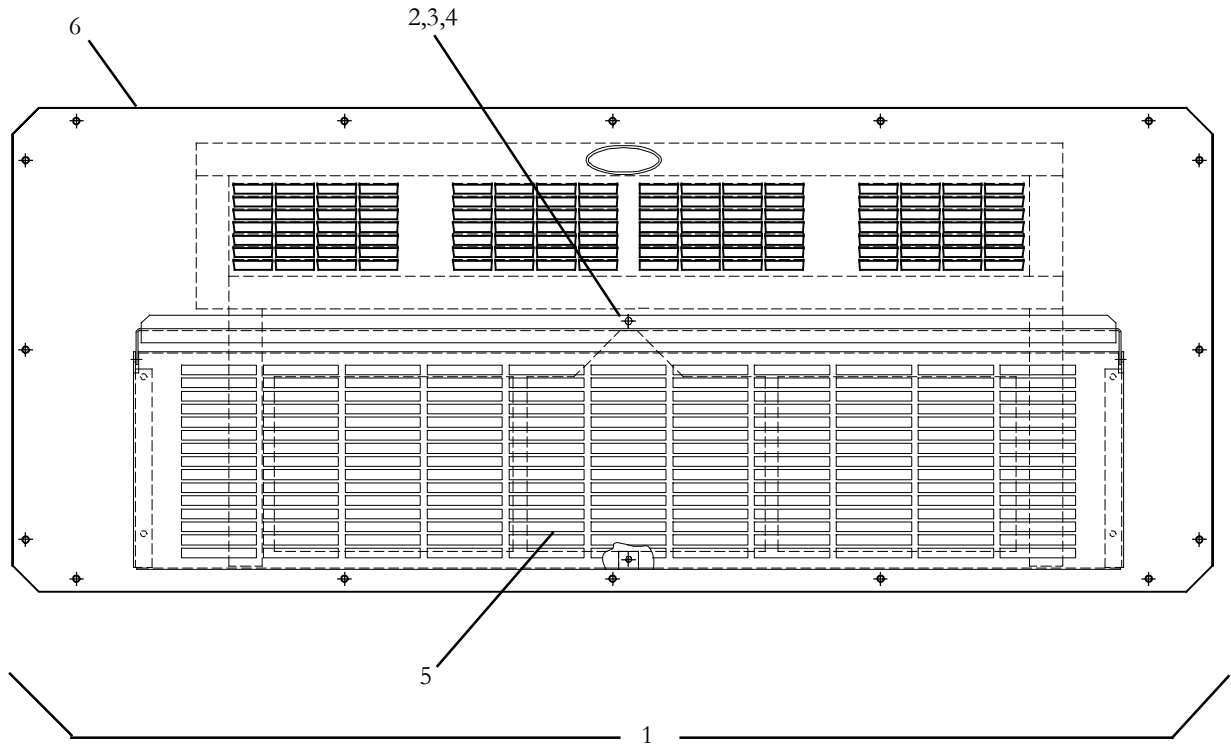




1.16.1 EVAPORATOR, IW-14, WITH LP SWITCH (77-62080-01) - Continued:			
Item	Part Number	Description	Qty
1	NSS	Chassis Assembly, Evaporator, IW-14 - Includes:	1
2	08-62064-00	Coil Assembly, 4 Row - Includes:	1
3	AC801-416	Gasket, Foam, 1/8 X 12-3/4 Inch x 25 Feet Roll	NSI
4	12-00685-00	Thermostat, Freeze-Up, Non Adjustable	1
5	14-00397-00	Valve, Thermal Expansion Block, (R134a)	1
6	42-00032-00	Tape, Insulation, Presstite, 2.00 Inch X 30 Feet Long	1
7	AC801-202	O-Ring, 1/2 Inch HNBR	2
8	AC401-203	Blower Assembly, EM-14, 12 VDC	2
9	22-62240-01	Harness, Evaporator, EM-14, (12/24 VDC) - Includes:	1
10	N/A	Connector, Molded Plug With 60.00 Inch leads	2
11	86-62497-00	Drain Pan Assembly,	1
12	AC801-414	Gasket, Foam, 3/8 X 1 Inch X 25 Foot Roll	1
13	AC022-743	Gasket, Foam, 0.12 Thick X 3.50 Wide X 26.25 Inches Long	NSI
14	68-63268-00	Bracket, Mounting	NSI
15	AC201-412	Switch, Low Pressure	1



1.16.2 GRILL ASSEMBLY, EVAPORATOR, IW-14, (77-62080-00 & -01)



Item	Part Number	Description	Qty
1	79-62064-00	Grill Assembly IW-14, Includes:	1
2	34-62019-00Receptable, 1/4 Turn	1
3	34-62020-00Stud, 1/4 Turn, .25 Grip Range	1
4	34-06169-01Washer, Retaining	1
5	38-00573-01Filter, Air, 36.5 X 9 X .12 Inch (EM-1 GEN 5)	1
6	AC801-403Gasket, Foam, 1-1/4 X 1-1/4 Inch (25 Foot Roll)	1



INDEX

PART NO.	PAGE NO.	PART NO.	PAGE NO.
0		12-00685-00	3, 7, 17, 24, 38, 41, 51, 59, 67, 75, 77, 85, 93, 99, 108, 137, 141, 142, 162, 172, 173, 182, 189, 191, 205, 207
022-290	26, 60	12-50139-00	132, 133
022-295	94	14-00351-00	127, 129, 162, 186
022-313-1	141, 142, 182	14-00397-00	1, 3, 7, 17, 24, 31, 32, 36, 38, 41, 51, 59, 64, 67, 75, 77, 90, 93, 99, 108, 114, 119, 132, 133, 137, 141, 142, 162, 171, 173, 182, 186, 189, 191, 192, 205, 207
04-50023-00	124, 125, 126, 128	14-01104-37	125
08-01068-00	7, 17, 137	14-01104-39	124, 127, 129
08-01068-01	41, 51	14-50047-00	124, 127, 129
08-01068-02	99, 108	14-50097-00	132
08-62045-01	162	15-1505	134, 135
08-62056-01	141, 142, 182	2	
08-62059-00	1, 3, 24, 31, 36, 38, 59	201-412	173, 182
08-62060-00	1, 24, 32, 36, 59	201-600	62
08-62061-00	90, 93	21-1920	134
08-62062-00	90, 93	21-1948	135
08-62063-00	119	21-2041	124, 126, 128
08-62064-00	205, 207	22-01584-00	124, 127
08-62065-00	114	22-02336-24	99
08-62066-00	114	22-02336-25	176, 177, 178, 183
08-62067-00	64, 75, 77	22-02336-26	27, 28, 29, 62, 79, 80, 81, 82, 83, 87, 88, 95, 96
08-62068-00	64, 75, 77	22-02338-07	27, 28, 29, 62, 79, 80, 81, 82, 83, 87, 88, 95, 96, 176, 177, 178, 183
08-62076-00	189, 191, 192	22-1245	135
08-62080-00	171, 173	22-50030-00	124, 127, 129
1		22-50091-00	124, 125, 126, 128
10-50067-00	132	22-62099-00	8, 42
10-50068-00	132	22-62100-01	7, 67
10-50069-00	132	22-62141-00	40
12-00305-07	141	22-62141-01	67, 99
12-00495-02SV	147	22-62169-00	7, 41, 67, 99, 108
12-00533-00	70, 104		
12-00533-01	146		
12-00547-00	186		



INDEX

PART NO.	PAGE NO.	PART NO.	PAGE NO.
22-62328-00	7	38-00573-07	64, 75, 77
22-62328-02	7	38-00573-08	154, 155, 156, 157, 158, 159, 160
23-0038	134, 135	38-00573-10	167, 168, 169
23-0582	4, 63, 132, 133	38-00573-11	179, 180
25-1163	134, 135	38-00573-12	198, 199, 200, 201, 202, 203
26-0014	132, 133	38-00573-13	85
26-0190	134, 135	38-50032-00	132, 133
26-0652	31		
27-0017	31	4	
27-0602	134, 135	40-00491-01	124, 126, 128
		40-00491-15	124, 127, 129
3		40-01124-00	127, 129, 162, 185
31-1247	177	401-215	124, 125
34-00482-05	7, 41, 67, 99	42-00032-00	3, 38, 41, 67, 99, 132, 133, 141, 142, 163, 205, 207
34-01306-00	203	42-00032-01	186
34-06088-01	126, 128	42-00243-04	85
34-06088-04	127, 129	42-00264-63	199, 203
34-06169-01	11, 12, 45, 46, 72, 100, 101, 138, 208	42-62052-00	40, 67, 99
34-62019-00	11, 12, 45, 46, 72, 100, 101, 138, 208	42-62140-00	7, 17
34-62020-00	11, 12, 45, 46, 72, 100, 101, 138, 208	42-62140-01	40, 51, 66, 99
35-0176	34, 196, 197	42-62140-02	108
38-00558-00	117	44-00337-12	127, 129
38-00564-50	7	5	
38-00564-51	41	54-00546-03	141
38-00564-52	99	54-00588-00	1, 3, 36, 38, 64, 90, 114
38-00564-53	67	54-00606-00	186
38-00573-01	11, 12, 18, 19, 138, 155, 208	54-00627-03	31, 32
38-00573-02	45, 46, 52, 53, 100, 101	54-00646-00	17
38-00573-03	109, 110	54-00646-01	51
38-00573-04	72	54-00646-02	108
38-00573-05	186	54-50107-00	132, 133
38-00573-06	166, 169	56-62123-00	125
		56-62134-00	127, 129



INDEX

PART NO.	PAGE NO.	PART NO.	PAGE NO.
58-00065-26	163, 186	68-63616-01	169
58-00065-27	129	68-63617-00	164
58-00065-83	163, 186	68-63703-00	166
58-00661-04	171, 189, 191, 192	68-63737-00	199
58-00661-06	162	68-63754-00	167, 168, 169
58-50116-00	132	68-63756-00	152
58-50119-00	132, 133	68-63757-00	152
58-50120-00	132, 133	68-63763-00	152
58-50121-00	132, 133	68-63764-00	152
58-50122-00	132, 133	68-63808-01	179, 180
58-62042-00	11, 12, 18, 19, 26, 45, 46, 52, 53, 60, 72, 94, 100, 101, 109, 110, 154, 155, 156, 157, 158, 160, 166, 167, 168, 169, 198, 199, 200, 201	68-63874-00	13, 47
58-62064-00F25	7, 40, 66, 99	68-63875-00	13
58-62077-00	11, 12, 45, 46, 100, 101	68-63878-00	47
58-62156-12	179	7	
58-62186-02	108	76-62019-00	2, 3, 36, 38, 64, 90, 114
58-62209-00	159, 179, 180, 199, 202, 203	76-62103-05	25, 26, 33, 60
6		76-62103-08	198, 200, 201, 202
601-616	13, 47	76-62103-09	198, 199, 200, 201, 202, 203
66-U---1--1214-5	127, 129	76-62257-00	7, 41, 67, 99
66U1-1214-5	124, 125	79-02383-00	2, 24, 31, 32, 59
68-07962-00	166	79-62035-01	11
68-08182-01	159	79-62035-02	11
68-08216-00	153	79-62036-01	12
68-08217-00	153	79-62036-02	12
68-63275-03	72	79-62044-01	45, 100, 101
68-63416-00	151	79-62044-02	45, 101
68-63417-00	151	79-62045-01	46
68-63440-00	151	79-62045-02	46
68-63441-00	151	79-62046-02	100
68-63529-00	164	79-62056-00	138
68-63529-01	164	79-62064-00	208
		79-62065-01SV	72
		79-62065-02SV	72
		79-62070-01	122



INDEX

PART NO.	PAGE NO.	PART NO.	PAGE NO.
86-62587-00	191	AC401-204	119
86-62587-01	192	AC401-215	126, 128
		AC401-217	125
		AC401-220	124, 125, 126, 128
		AC401-233	1, 36, 64, 90, 114
		AC401-302	159
		AC401-306	4, 63
		AC401-307	4, 63
		AC401-308	89
		AC401-320	1, 4, 25, 33, 36, 60, 63, 64, 78, 86, 90, 94, 122, 166, 186
		AC501-122	124, 125, 126, 128
		AC601-602	13, 47
		AC701-101	99, 137, 171
		AC701-106	122
		AC701-106-2	198, 199, 200, 201, 202
		AC701-123	14, 48, 64, 89, 90, 99, 119
		AC801-202	2, 3, 7, 17, 24, 31, 32, 36, 38, 41, 51, 59, 64, 67, 75, 77, 90, 93, 99, 108, 114, 119, 137, 141, 142, 162, 186, 189, 191, 192, 205, 207
		AC801-307	156, 157, 158, 159, 160, 167, 168, 169, 199, 200, 201, 202, 203
		AC801-403	90, 208
		AC801-405	1, 3, 24, 31, 32, 38, 59
		AC801-412	179, 180
		AC801-412F25	13, 36, 38, 64, 89, 90, 132, 133
		AC801-414	64, 90, 163, 169, 179, 180, 186, 189, 191, 192, 205, 207
		AC801-415	171
		AC801-416	186, 205, 207
		AC801-443	124, 125, 126, 128
		AC801-451	36
		AC801-461	119
		AC801-462	90, 93
		AC801-529	2, 14, 48, 72, 166, 167, 168, 186, 200
AC-801-529	179, 180		
AC020-009	90		
AC020-174	13		
AC021-190-1	117		
AC021-190-2	117		
AC021-366	117		
AC022-251	25, 33, 60		
AC022-252	78, 86		
AC022-253	94		
AC022-313	3, 36, 38		
AC022-313-3	186		
AC022-313-4	172, 173		
AC022-313-5	189, 191, 192		
AC022-314	64, 124, 125, 126, 128		
AC022-746	119		
AC022-746-1	205		
AC040-074	137		
AC101-422	124, 127, 129		
AC201-105	132, 133		
AC201-412	2, 3, 7, 17, 24, 36, 38, 41, 51, 59, 64, 67, 75, 77, 85, 90, 93, 99, 108, 114, 119, 137, 141, 142, 162, 171, 186, 189, 191, 207		
AC201-500	7		
AC201-501	1, 36, 64, 90, 114, 119, 125		
AC201-600	115, 186		
AC301-205	4, 63		
AC301-240	132, 133		
AC401-202	141		
AC401-203	119, 163, 172, 189, 191, 205, 207		



INDEX

PART NO.	PAGE NO.	PART NO.	PAGE NO.
AC801-531	2, 14, 48, 72, 89, 166, 167, 168, 186	Y25-00234-01	124, 127
AC801-532	2, 14, 48, 72, 89, 167, 168	Y26-00103-00	85
N		Y28-00007-00	117
N28-0055	85	Y28-00014-00	180
Y		Y28-00023-00	159
Y15-00002-00	173	Y28-00025-00	18
Y15-00002-01	173	Y28-00025-01	18
Y15-00003-00	24, 59, 75, 77, 85, 93, 142, 182	Y28-00025-02	19
Y15-00003-01	24, 59, 77, 93	Y28-00025-03	19
Y15-00009-00	192	Y28-00026-00	52
Y21-00043-00	85	Y28-00026-01	52
Y21-00055-00	85	Y28-00026-02	53
Y23-00002-00	18, 19, 52, 53, 72, 109, 110, 159	Y28-00026-03	53
Y23-00018-07	24	Y28-00027-00	109
Y24-00108-00	18, 19	Y28-00027-01	109
Y24-00109-00	52, 53	Y28-00027-02	110
Y24-00110-00	109, 110	Y28-00027-03	110
Y24-00186-00	153	Y30-13000-00	27, 28, 29, 61, 62, 79, 80, 81, 82, 83, 87, 88, 95, 96
Y24-00187-00	153	Y34-00038-00	85
Y24-00587-00	85	Y35-00010-00	17, 51
Y25-00232-01	31, 32, 125, 192	Y35-00106-00	192
Y25-00232-02	124, 127	Y45-00005-50	7
Y25-00232-05	124, 127	Y45-00005-51	40, 66
Y25-00232-10	124, 127	Y45-00005-52	99
Y25-00234-00	124, 127	Y45-00005-53	7
		Y45-00005-54	40, 66
		Y45-00005-55	99

Every driver deserves the best possible vehicle climate with MCC products

MCC provides exceptional performance in mobile climate comfort.



www.mcc-hvac.com

Member of MCC Group • Certified ISO 9001 and ISO 14001.
Specifications subject to change without notice. MCC is a registered trademark.