

Bill of Materials Listing

TransArctic Canada Inc.

10/4/2017
Page 1 of 1

Product Number	Description	Date	Weight	Uof M	Yield
Line Component Prod#	Description	Bin Unit	Qty		
KMC46695	Mt Kit, ISL-G, HDX, TM-55/65, ALT,'16		1/12/2017	190.94	0
10	BEL32389		Belt, Banded B gr, 2388mm (94")	each	1
20	BMC83125		Bkt, Weldm't, Adapter PI, ISL, HDX, '13	each	1
30	BMC90012		Bkt, Weldm't, Main Base, HDX, '16'	each	1
40	BMC90022		Bkt, Main, Idler, Weldm't, ISL, HDX, '16	each	1
45	BMC90026		Bkt, Alignm't Bar, Add-On, ISL, HDX, '17	each	1
50	KCB65501		Kit, Compressor, P/S, Alt, TM-65/55, '16	each	1
60	KPC90009		Kit, Pulley, ISL-G, 8.9L, 2B/X,'17	each	1
70	PUA05001		Pulley, Assy, Idler, B/S, 5", Stl, Plt	each	1
80	PUA05012		Pulley, Assy, Idler,B/BX gr,5", STL,Plt	each	1
85	SCD16012		Spacer, Col, Drl,16 mm x 34.9o x 12.3i	each	1
95	SCD21912		Spacer, Col, Drl,21.9mm x 25.4o x 12.3i	each	1
100	SLV17012		Sleeve, Pulley, 16.9o x 22.23mm x 12.32i	each	2
110	KBC44195		Bag Kit,Fasteners,KMC44195 & Others.	each	1

Bill of Materials Listing

TransArctic Canada Inc.

10/4/2017
Page 1 of 1

Product Number		Description	Bin	Date	Weight	Uof M	Yield
Line	Component Prod#	Description		Unit	Qty		
KBC44195		Bag Kit, Fasteners, KMC44195 & Others.		6/1/2016	2.41		0
10	BTC10045	Bolt, Hex, 10 x 1.5 x 45mm, 10.9, Plt, FT		each	3		
20	BTC12080	Bolt, Hex, 12 x 1.75 x 80mm, 10.9, Plt, FT		each	2		
30	BTQ06175	Bolt, Hex, 3/8-16unc, 1.75", 8, Plt		each	5		
40	BTQ08125	Bolt, Hex, 1/2-13unc, 1.25", 8, Plt		each	2		
50	BTQ08151	Bolt, Hex, 1/2-20unf, 1.5", 8, Plt		each	2		
60	CSF08031	Capscrew, FH, 8 x 1.25 x 30mm, 10.9, Plt		each	2		
70	CSF08101	Capscrew, FH, 1/2-20unf x 1.0", Alloy, Plt		each	4		
80	NTA10000	Nut, Hex, 10 x 1.5, 8.8, Plt		each	3		
90	NTA12000	Nut, Hex, 12 x 1.75, 8.8, Plt		each	2		
100	NTQ06000	Nut, Hex, 3/8-16unc, 8, Plt		each	5		
110	WFA10002	Washer, Flat, 10mm, Hvy, 8.8, Plt		each	6		
120	WFA12002	Washer, Flat, 12mm, Hvy, 8.8, Plt		each	2		
130	WFQ08000	Washer, Flat, 1/2", 8, Plt		each	4		
150	WFS06002	Washer, Flat, 3/8", L9, Plt		each	10		
160	WLA10000	Washer, Lock, 10mm, 8.8, Plt		each	3		
170	WLA12000	Washer, Lock, 12mm, 8.8, Plt		each	2		
180	WLQ06000	Washer, Lock, 3/8", 8, Plt		each	5		
190	WLQ08000	Washer, Lock, 1/2", 8, Plt		each	4		

Bill of Materials Listing

TransArctic Canada Inc.

2/4/2022
Page 1 of 1

Product Number	Date	Description		Uof M	Weight	Yield
Line	Qty	Component Prod#	Rev#	Description	Bin	Unit
KCB65501	08/10/16	2 Kit, Compressor, P/S, Alt, TM-65/55, '16			166.11	0
10	2	BMN80008	1	Vibration Isolator, Bar, 16.50 x 2 x 1.50		each
20	1	BMN80025	0	Bkt, Back, PL, Slide, IC, RE300		each
30	1	BMZ00043	3	Bkt, Main, Base Pl, '13		each
40	1	BTP08653		Bolt, Hex, 1/2-13unc, 6.5", 5, Plt, FT		each
50	3	BTQ08101		Bolt, Hex, 1/2-20unf, 1.00", 8, Plt		each
60	3	CSF08076		Capscrew, FH, 1/2-20unf x .75", Alloy, Plt		each
70	1	KAC65501	3	Kit, Alternator, TM-65, Curb Side, '13		each
80	1	KBT65501	0	Kit, Platform, P/S, TM-55/65, '16		each
90	3	WFQ08000		Washer, Flat, 1/2", 8, Plt		each
100	4	WLQ08000		Washer, Lock, 1/2", 8, Plt		each

Bill of Materials Listing

TransArctic Canada Inc.

2/4/2022
Page 1 of 1

Product Number	Date	Description		Uof M	Weight	Yield	
Line	Qty	Component Prod#	Rev#	Description	Bin	Unit	
KAC65501	08/10/16		3	Kit, Alternator, TM-65, Curb Side, '13		45.31	0
10	2	BEL11040		Belt, A gr, 1040mm (41")		each	
20	1	BMC90020	A	Bkt, Alt, Weldm't, Curb Side, TM65/55, '16		each	
30	2	BMT10011	0	Bkt, Tenr, Block, Offset, 3mm		each	
40	1	PUL03321	1	Pulley, ALT, Idler, 3.25"d, 2A		each	
45	1	KBA84064	0	Bag Kit, ALT Shim, KC84064, KAC65501/02		each	
47	1	SCD05513	0	Spacer, Col, Drl, 5.51mm x 25.4o x12.7i	Alley	each	
50	1	TRD08080		Threaded, Rod, 1/2-13unc x 8", 5, Plt		each	
60	1	KBA65501	0	Bag Kit, Fasteners, KAC65501		each	

NOTE:

1) Use KBA84064 "Shim bag kit", as required, to align the Alternator correctly.

Bill of Materials Listing

TransArctic Canada Inc.

2/4/2022
Page 1 of 1

Product Number	Date	Description	Uof M	Weight	Yield			
Line	Qty	Component Prod#	Rev#	Description	Bin	Unit	Weight	Yield
KBA65501	08/10/16	0		Bag Kit, Fasteners, KAC65501			1.45	0
10	4	BTC12035		Bolt, Hex, 12 x 1.75 x 35mm, 10.9,Plt,FT		each		
20	1	BTQ08125		Bolt, Hex, 1/2-13unc, 1.25", 8, Plt		each		
30	1	BTQ08150		Bolt, Hex, 1/2-13unc, 1.5", 8, Plt		each		
40	1	BTQ08653		Bolt, Hex, 1/2-13unc, 6.5", 8, Plt		each		
50	6	NTQ08000		Nut, Hex, 1/2-13unc, 8, Plt		each		
60	4	WFA12000		Washer, Flat, 12mm, 8.8, Plt		each		
70	3	WFQ08000		Washer, Flat, 1/2", 8, Plt		each		
80	4	WLA12000		Washer, Lock, 12mm, 8.8, Plt		each		
90	4	WLQ08000		Washer, Lock, 1/2", 8, Plt		each		

Bill of Materials Listing

TransArctic Canada Inc.

2/4/2022
Page 1 of 1

Product Number	Date	Description			Uof M	Weight	Yield	
Line	Qty	Component	Prod#	Rev#	Description	Bin	Unit	
KBA84064	10/19/21	0			Bag Kit, ALT Shim, KC84064, KAC65501/02		0.09	0
10	1	SCD03613		0	Spacer, Col, Drl, 3.56mm x 25.4o x12.7i	Alley	each	
20	2	WFA14000			Washer, Flat, 14mm, 8.8, Plt		each	
30	2	WFQ08000			Washer, Flat, 1/2", 8, Plt		each	

NOTE:

1) Use (1) SCD03613, (2) WFA14000, (2) WFQ08000, in any arrg'mt/qtys as required to align the Alternator correctly.

Bill of Materials Listing

TransArctic Canada Inc.

10/3/2017
Page 1 of 1

Product Number	Description	Date	Weight	Uof M	Yield
Line Component Prod#	Description	Bin Unit	Qty		
KBT65501	Kit, Platform, P/S, TM-55/65, '16		8/10/2016	16.08	0
10 BMN80031	Bkt, Main, Slide, Assy, 05K, IC, RE300		each	1	
20 BMZ00056	Bkt, Comp, FRT, Z, TM-65/55, '13		each	1	
30 BMZ00057	Bkt, Comp, Rear, Z, TM-65/55, '13		each	1	
40 KBZ65501	Bag Kit, Fasteners, KBT65501		each	1	

Bill of Materials Listing

TransArctic Canada Inc.

10/3/2017
Page 1 of 1

Product Number	Description	Date	Weight	Uof M	Yield
Line Component Prod#	Description	Bin Unit	Qty		
KBZ65501	Bag Kit, Fasteners, KBT65501		8/10/2016	0.69	0
10	BTC12035		Bolt, Hex, 12 x 1.75 x 35mm, 10.9,Plt,FT	each	4
20	NTP07000		Nut, Hex, 7/16-14unc, 5, Plt	each	4
30	WFA12000		Washer, Flat, 12mm, 8.8, Plt	each	4
40	WFN07000		Washer, Flat, 7/16", 2, Plt	each	4
50	WLA12000		Washer, Lock, 12mm, 8.8, Plt	each	4
60	WLQ07000		Washer, Lock, 7/16", 8, Plt	each	4

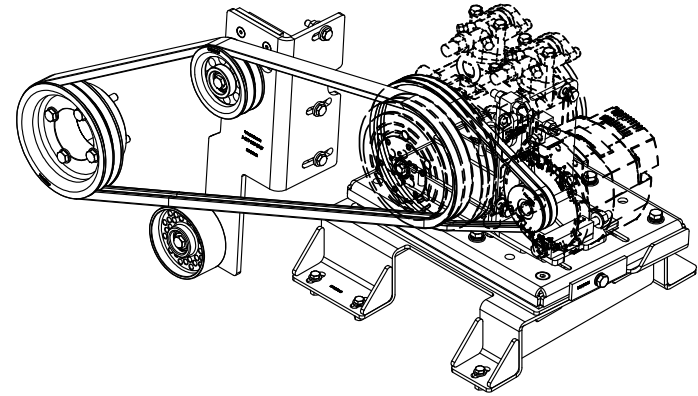
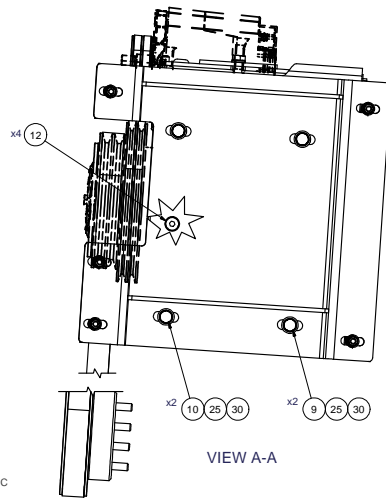
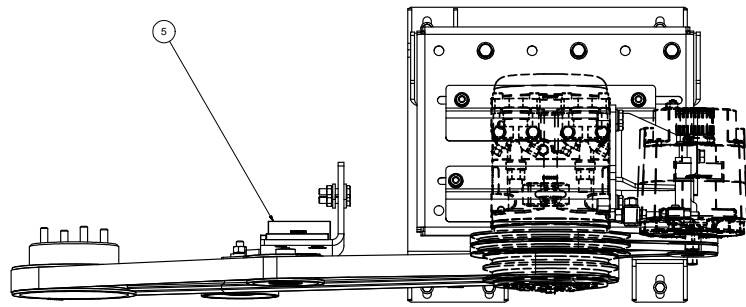
Bill of Materials Listing

TransArctic Canada Inc.

4/27/2017
Page 1 of 1

Product Number		Description	Bin	Date	Weight	Uof M	Yield
Line	Component Prod#	Description		Unit	Qty		
KPC90009		Kit, Pulley, ISL-G, 8.9L, 2B/X,'17		10/15/2013	16.32		0
10	PUL90009	Pulley, Crank, ISL-G, 9.0L, 2B/X, 8", '17		each	1		
20	BTC12080	Bolt, Hex, 12 x 1.75 x 80mm, 10.9,Plt,FT		each	4		
30	WFS12002	Washer, Flat, Hdn, 12mm, Stl, BLK		each	4		

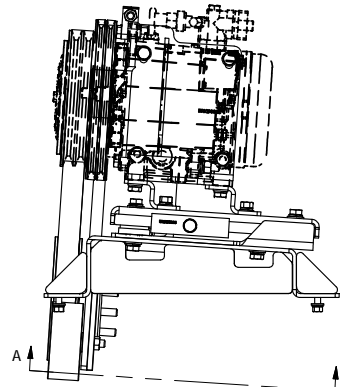
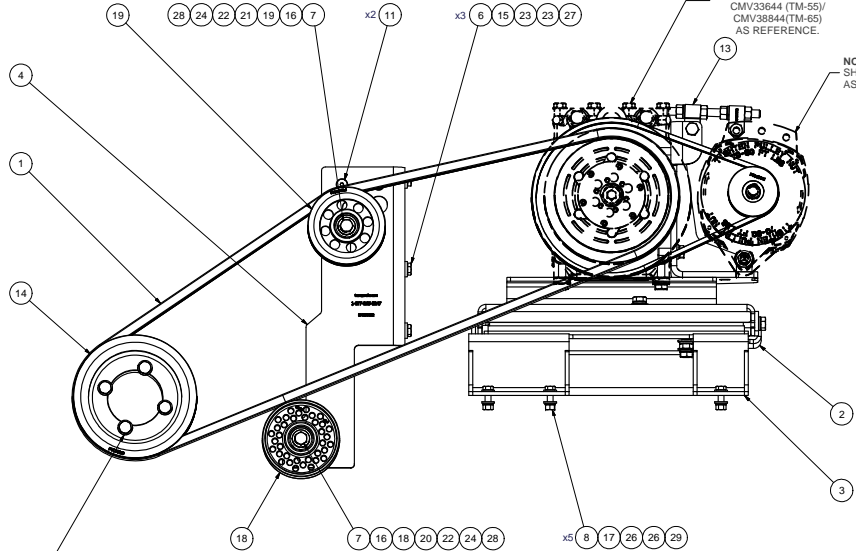
8 7 6 5 4 3 2 1



ISOMETRIC VIEW

NOTE:
SHOWING TRANSARGTIC
COMPRESSOR PART#
CMV33844 (TM-55)
CMV33844(TM-65)
AS REFERENCE.

NOTE:
SHOWING ALTERNATOR
AS REFERENCE.



NOTE:
TORQUE TO: 66-73 FT-LB PLAIN & LUBRICATED W/ CLEAN ENGINE OIL (15W-40)
(HEXBOLT CAPSCREW M12 x 1.75 x 80mm @10.9 GRADE)
TIGHTEN IN TWO STEPS IN A CRIS-CROSS TIGHTENING SEQUENCE PATTERN.

NOTES:
1) USE SERVICABLE THREADLOCKER ON ALL FASTENERS TO ENGINE COMPONENTS AND TORQUE ALL BOLTS TO S.A.E. SPECIFICATIONS.
2) SEE 'TRANSARGTIC A/C COMPRESSOR MOUNT INSTALLATION DISCLAIMER'.

ITEM	QTY	U/M	PART NUMBER	DESCRIPTION
30	4	EACH	WLO8000	WASHER, LOCK, 1/2", 8, PLT
29	5	EACH	WLO16000	WASHER, LOCK, 3/8", 8, PLT
28	2	EACH	WLA12000	WASHER, LOCK, 12mm, 8.8, PLT
27	3	EACH	WLA10000	WASHER, LOCK, 10mm, 8.8, PLT
26	10	EACH	WFS06002	WASHER, FLAT, 3/8", L9, PLT
25	4	EACH	WFO80000	WASHER, FLAT, 1/2", 8, PLT
24	2	EACH	WFA12002	WASHER, FLAT, 12mm, HVY, 8.8, PLT
23	6	EACH	WFA10002	WASHER, FLAT, 10mm, HVY, 8.8, PLT
22	2	EACH	SLV17012	SLEEVE, PULLEY, 16.90 x 22.23 mm x12.19l
21	1	EACH	SCD21912	SPACER, COL, DRL, 21.9mm x 31.80 x12.3l
20	1	EACH	SCD16012	SPACER, COL, DRL, 16 mm x 31.80 x 12.0l
19	1	EACH	PLUA05012	PULLEY, ASSY, IDLER, B/BX gr, 5" STL, PLT
18	1	EACH	PLUA05001	PULLEY, ASSY, IDLER, B/S, 5", STL, PLT
17	5	EACH	NT06000	NUT, HEX, 3/8-16UNC, 8, PLT
16	2	EACH	NTA12000	NUT, HEX, 12 x 1.75, 8.8, PLT
15	3	EACH	NTA10000	NUT, HEX, 10 x 1.5, 8.8, PLT
14	1	EACH	KPC90009	KIT, PULLEY, ISL-G, 8.9L, 2B/X, '17
13	1	EACH	KCB65501	KIT, COMPRESSOR, P/S, ALT, TM-65/55, '16
12	4	EACH	CSF08101	CAPSCREW, FH, 1/2-20UNF x 1", ALLOY, PLT
11	2	EACH	CSF08031	CAPSCREW, FH, 8 x 1.25 x 30mm, 10.9, PLT
10	2	EACH	BTQ08151	BOLT, HEX, 1/2-20UNF x 1.50, 8, PLT
9	2	EACH	BTQ08125	BOLT, HEX, 1/2-13UNC x 1.25, 8, PLT
8	5	EACH	BTQ06125	BOLT, HEX, 3/8-16UNC x 1.25, 8, PLT
7	2	EACH	BT12080	BOLT, HEX, 12 x 1.75 x 80mm, 10.9, PLT
6	3	EACH	BT10045	BOLT, HEX, 10 x 1.5 x 45mm, 10.9, PLT
5	1	EACH	BMC90026	BKT, ALIGNMT BAR, ADD-ON, ISL-G, HDX, '17
4	1	EACH	BMC90022	BKT, MAIN, IDLER, WELDMT, ISL, HDX, '16
3	1	EACH	BMC90012	BKT, WELDMT, MAIN BASE, HDX, '16
2	1	EACH	BMC83125	BKT, WELDMT, ADAPTER PL, ISL, HDX, '13
1	1	EACH	BEL32358	BELT, BANDED B gr, 2388mm (9'4")

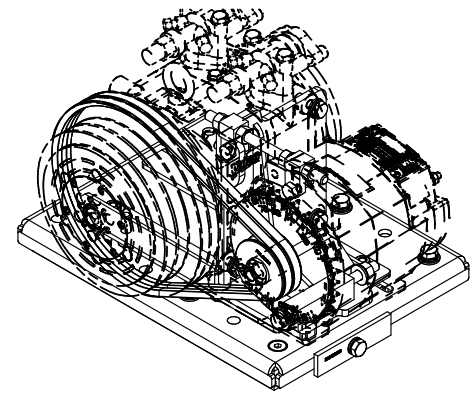
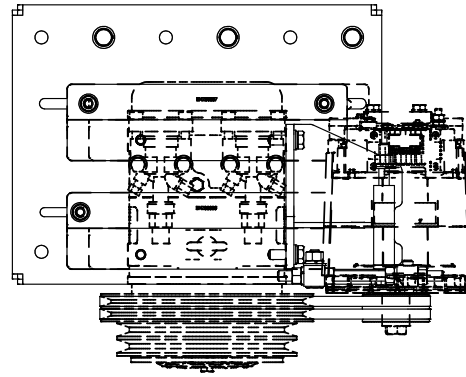
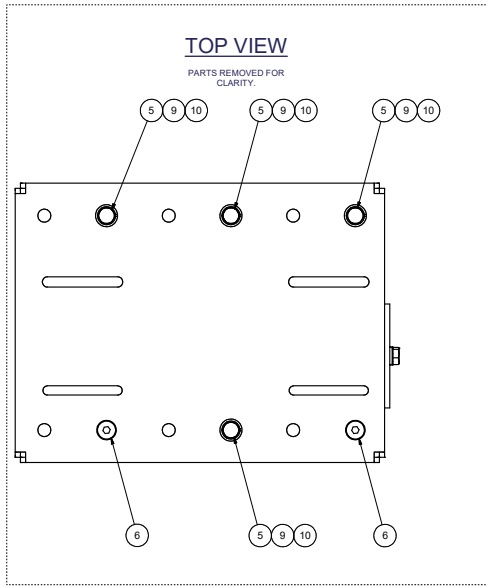
BILL OF MATERIALS
TRANSARGTIC INC.

UNSPECIFIED TOLERANCES:	ALL DIMS	
ONE DECIMAL PLACE (X1)	30	FRACTIONAL
TWO DECIMAL PLACES (X2)	25	ANGULAR
THREE DECIMAL PLACES (X3)	25	ANGULAR
FRACTIONAL (1/16")	ANGULAR	1/32"

BROWN	10/4/2017	
Checked	10/4/2017	
Released to Production	10/4/2017	JRK
By	10/4/2017	James Stewart
Approved	10/4/2017	Ron Ingram
Approved	10/4/2017	Dale Mason

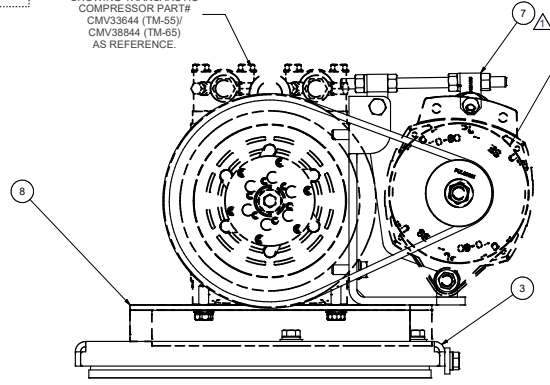
TITLE	MT KIT, ISL-G, HDX, TM-55/ 65, ALT, '17
SIZE	D
DWG NO	KMC46695
SCALE	1:4
SHEET	1 OF 1

8 7 6 5 4 3 2 1

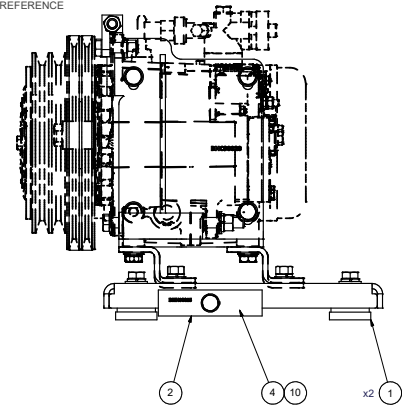


ISOMETRIC VIEW

NOTE:
SHOWING TRANSARCTIC
COMPRESSOR PART#
CMV33644 (TM-55)
CMV33844 (TM-65)
AS REFERENCE.



NOTE:
SHOWING ALTERNATOR
AS REFERENCE.



- NOTES:
1) USE SERVICABLE THREADLOCKER ON ALL FASTENERS TO ENGINE COMPONENTS AND TORQUE **ALL** BOLTS TO S.A.E. SPECIFICATIONS.
2) SEE 'TRANSARCTIC A/C COMPRESSOR MOUNT INSTALLATION DISCLAIMER'.
3) WEIGHT: 68.75 LBS.

ITEM	QTY	U/M	PART NUMBER	DESCRIPTION
10	5	EACH	IWLQ08000	WASHER, LOCK, 1/2", 8, PLT
9	4	EACH	WFC08000	WASHER, FLAT, 1/2", 8, PLT
8	1	EACH	KBT65501	KIT, PLATFORM, P/S, TM-55/65, '16
7	1	EACH	KAC65501	KIT, ALTERNATOR, TM-65, CURB SIDE, '13
6	2	EACH	CSF08076	CAPSCREW, FH, 1/2-20UNF x .75", ALLOY, PLT
5	4	EACH	BTQ08101	BOLT, HEX, 1/2-20UNF x 1.00, 8, PLT
4	1	EACH	BTP08653	BOLT, HEX, 1/2-13UNC x 6.50, 5, PLT, FT
3	1	EACH	BMZ00043	BKT, MAIN, BASE PL, '13
2	1	EACH	BMN80025	BKT, BACK, PL, SLIDE, IC, RE300
1	2	EACH	BMN80008	VIBRATION ISOLATOR, BAR, 16.50 x 2 x 1.50

TRANSARCTIC INC.

KIT, COMPRESSOR, P/S, ALT, TM-65/55, '16

DWG NO: **KCB65501**

REV 1

REV	ECN	DESCRIPTION	DATE	BY
1		REVISED KAC65501	11/2/2018	JRR
0		RELEASED TO PRODUCTION	8/3/2016	JRR
				James Stewart
				Dale Mason

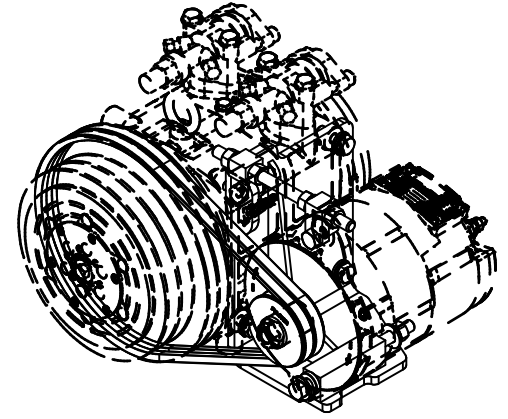
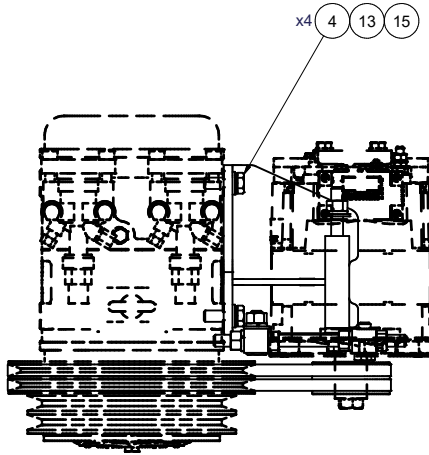
UNSPECIFIED TOLERANCES: ALL DIMS FINISH TO DIMENSIONS UNLESS OTHERWISE SPECIFIED
ONE DECIMAL PLACE (.XX) 1/16" TO .125"
TWO DECIMAL PLACE (.XXX) 1/32" TO .125"
THREE DECIMAL PLACE (.XXXX) .001" TO .125"
FRACTIONAL: 1/16" INCREMENTS

THIRD ANGLE PROJECTION

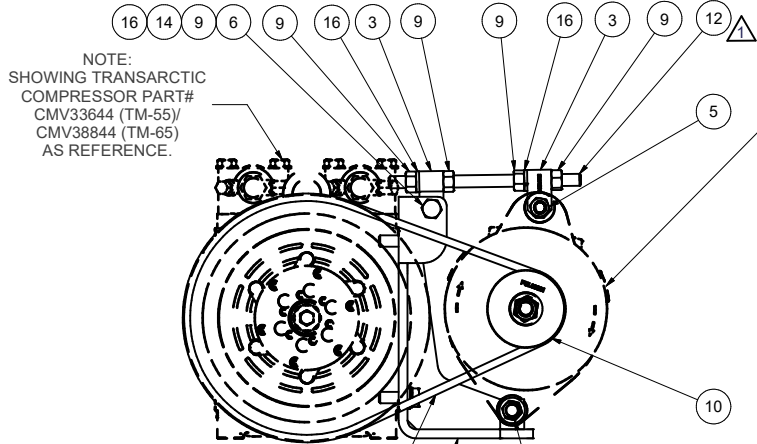
DRAWING UNIT OF MEASURE: MM (INCH)

SCALE: 1:3

SHEET 1 OF 1

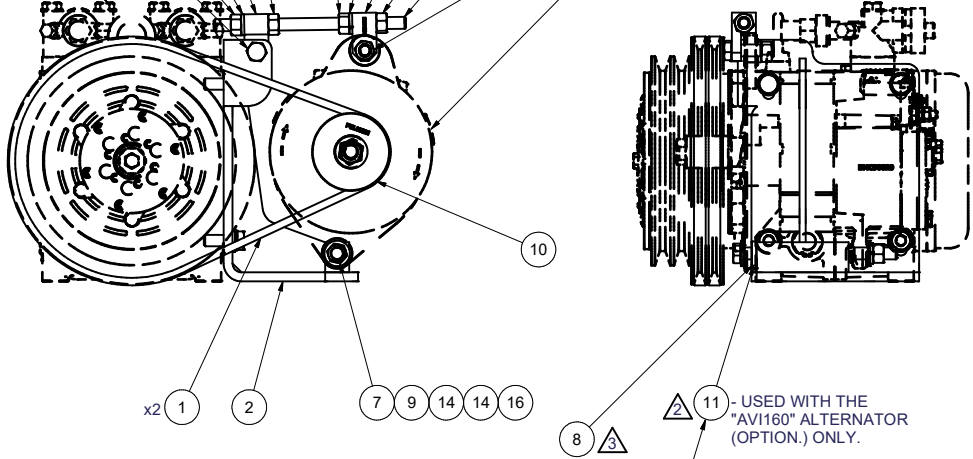


ISOMETRIC VIEW



NOTE:
SHOWING TRANSARCTIC
COMPRESSOR PART#
CMV33644 (TM-55/
CMV38844 (TM-65)
AS REFERENCE.

NOTE:
SHOWING ALTERNATOR
AS REFERENCE



USE KBA84064 SHIM KIT AS REQUIRED
TO ALIGN ALTERNATOR PULLEY TO
COMPRESSOR PULLEY "A" GROOVES.

11 - USED WITH THE
"AVI160" ALTERNATOR
(OPTION.) ONLY.

- NOTES:
1) USE SERVICABLE THREADLOCKER ON ALL FASTENERS TO ENGINE COMPONENTS AND TORQUE **ALL** BOLTS TO S.A.E. SPECIFICATIONS.
2) SEE "TRANSARCTIC A/C COMPRESSOR MOUNT INSTALLATION DISCLAIMER".
3) WEIGHT: 18.11 LB

ITEM	QTY	U/M	PART NUMBER	DESCRIPTION
16	4	EACH	WLQ08000	WASHER, LOCK, 1/2", 8, PLT
15	4	EACH	WLA12000	WASHER, LOCK, 12mm, 8.8, PLT
14	3	EACH	WFO08000	WASHER, FLAT, 1/2", 8, PLT
13	4	EACH	WFA12000	WASHER, FLAT, 12mm, 8.8, PLT
12	1	EACH	TRD08080	THREADED, ROD, 1/2-13UNC x 8", 5 PLT
11	1	EACH	SCD05513	SPACER, COL, DRL, 5.51mm x 25.4o x 12.7i
10	1	EACH	PUL03321	PULLEY, ALT, IDLER, 3.25"o, 2A
9	6	EACH	NTQ08000	NUT, HEX, 1/2-13UNC, 8, PLT
8	1	EACH	KBA84064	BAG KIT, ALT SHIM, KC84064, KAC65501/02
7	1	EACH	BTQ08653	BOLT, HEX, 1/2-13UNC x 6.50, 8, PLT
6	1	EACH	BTQ08150	BOLT, HEX, 1/2-13UNC x 1.50, 8, PLT
5	1	EACH	BTQ08125	BOLT, HEX, 1/2-13UNC x 1.25, 8, PLT
4	4	EACH	BTC12035	BOLT, HEX, 12 x 1.75 x 35mm, 10.9, PLT
3	2	EACH	BMT10011	BKT, TENR, BLOCK, OFFSET, 3mm
2	1	EACH	BMC90020	BKT, ALT, WELDM'T, CURB SIDE, TM-65/55, '16
1	2	EACH	BEL11040	BELT, A gr, 1040mm (41")

BILL OF MATERIALS

3	ADDED KBA84064 SHIM BAG KIT.	02/03/2022	VALJ	
2	ADDED SCD05513.	05/11/2021	JRR	
1	WAS TRD08060, NOW TRD08080	10/2/2018	JRR	
0	RELEASED TO PRODUCTION.	8/3/2016	JRR	
REV:	ECN:	DESCRIPTION:	DATE:	BY:
THIS DRAWING CONTAINS PROPRIETARY CONFIDENTIAL INFORMATION OWNED BY TRANSARCTIC CANADA INC. THE DOCUMENT AND THE INFORMATION IN IT ARE NOT TO BE USED, DISCLOSED OR REPRODUCED WITHOUT EXPRESS WRITTEN PERMISSION OF THE COMPANY.				
UNSPECIFIED TOLERANCES: [ALT. DIM.]				
ONE DECIMAL PLACE (X) .50 [0.05] MM (INCH)				
TWO DECIMAL PLACE (XX) .25 [0.10] MM (INCH)				
THREE DECIMAL PLACE (XXX) .10 [0.05] MM (INCH)				
FRACTIONAL: +/- .002" ANGULAR: +/- .50°				
THIRD ANGLE PROJECTION				

TRANSARCTIC INC.

TITLE: KIT, ALTERNATOR, TM-55/65, CURB SIDE, '13

DATE: 08/03/16

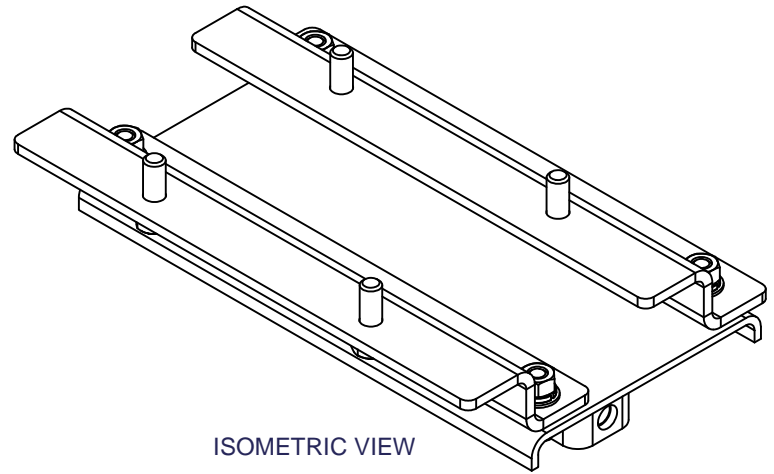
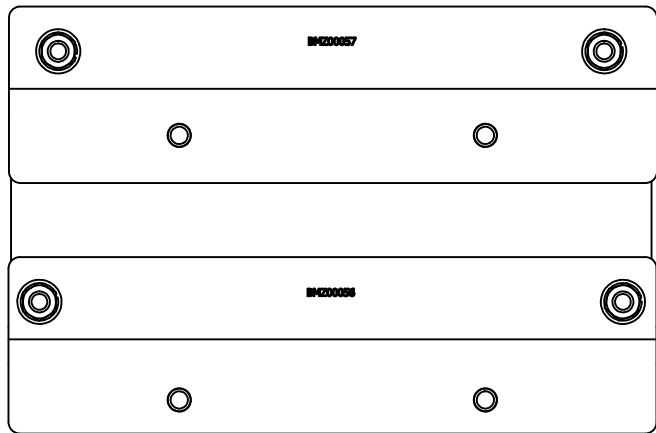
BY: James Stewart

APPROVED: Dale Mason

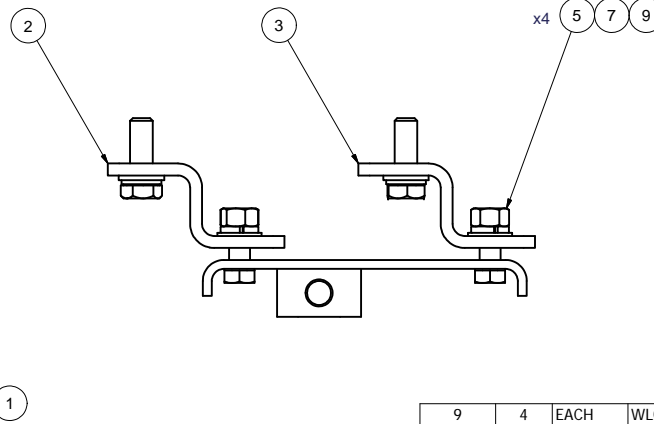
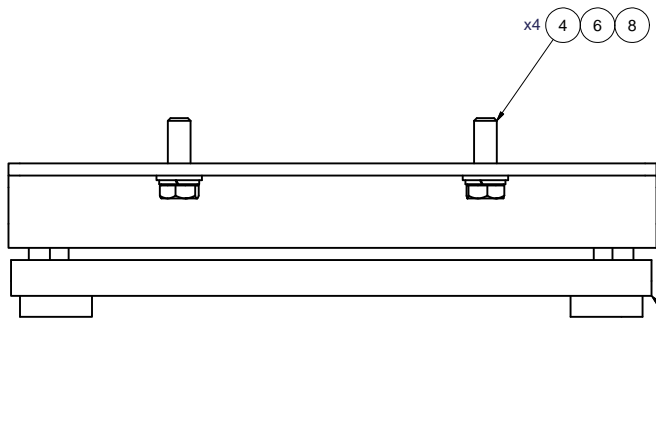
SCALE: 1:4

DWG NO: KAC65501

SHEET 1 OF 1



ISOMETRIC VIEW



NOTES:

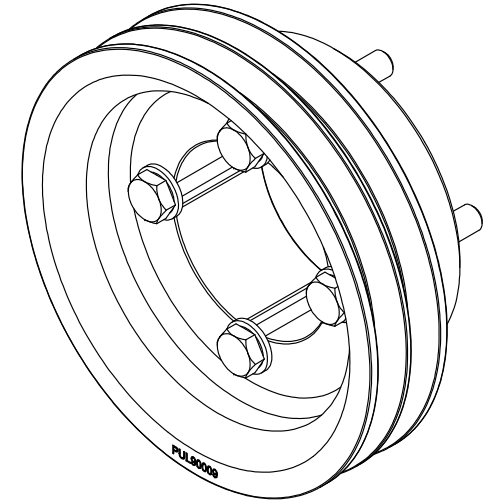
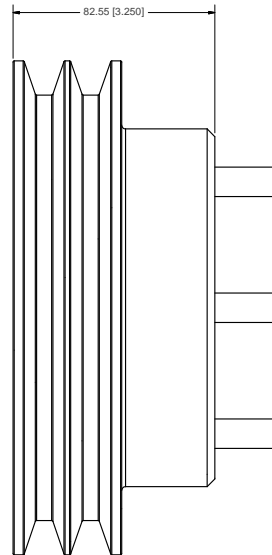
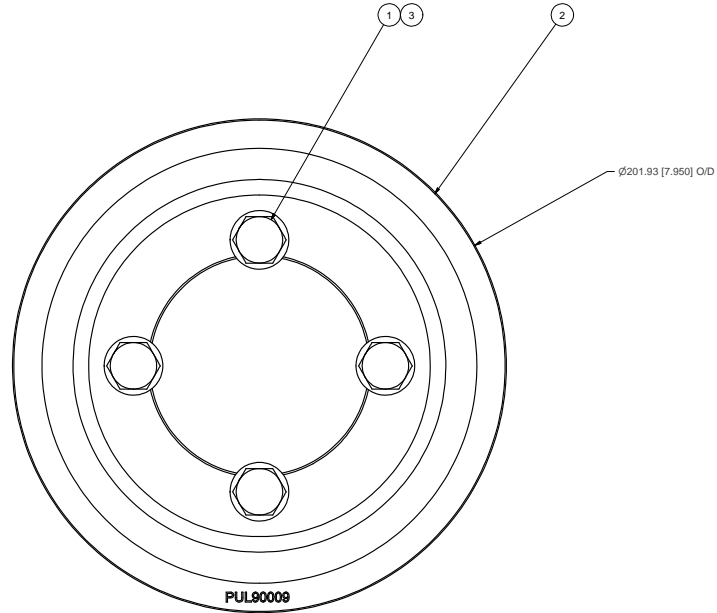
- 1) USE SERVICABLE THREADLOCKER ON ALL FASTENERS TO ENGINE COMPONENTS AND TORQUE **ALL** BOLTS TO S.A.E. SPECIFICATIONS.
- 2) SEE "TRANSARCTIC A/C COMPRESSOR MOUNT INSTALLATION DISCLAIMER".
- 3) WEIGHT: 16.47 LBS.

ITEM	QTY	U/M	PART NUMBER	DESCRIPTION
9	4	EACH	WLQ07000	WASHER, LOCK, 7/16", 8, PLT
8	4	EACH	WLA12000	WASHER, LOCK, 12mm, 8.8, PLT
7	4	EACH	WFN07000	WASHER, FLAT, 7/16", 2, PLT
6	4	EACH	WFA12000	WASHER, FLAT, 12mm, 8.8, PLT
5	4	EACH	NTP07000	NUT, HEX, 7/16-14UNC, 5, PLT
4	4	EACH	BTC12035	BOLT, HEX, 12 x 1.75 x 35mm, 10.9, PLT
3	1	EACH	BMZ00057	BKT, COMP, REAR, Z, TM-65/55, '13
2	1	EACH	BMZ00056	BKT, COMP, FRT, Z, TM-65/55, '13
1	1	EACH	BMN80031	BKT, MAIN, SLIDE, ASSY, 05K, IC, RE300

BILL OF MATERIALS

DRAWN	jrodriguez	8/8/2016	TRANSARCTIC INC.	
CHECKED	Val Jakowlew	8/8/2016		
APPROVED	James Stewart	8/8/2016		
MFG	James Stewart	8/8/2016		
TITLE			KIT, PLATFORM, P/S, TM-55/65, '16	
REV				0
DRAWING UNIT OF MEASURE:		MM [INCH]	SCALE	1:2
DWG NO		KBT65501		SHEET 1 OF 1

0	-	RELEASED TO PRODUCTION	8/8/2016	JRR
REV	ECN	DESCRIPTION	DATE	BY
<small>THIS DRAWING CONTAINS PROPRIETARY CONFIDENTIAL INFORMATION OWNED BY TRANSARCTIC CANADA INC. THE DOCUMENT AND THE INFORMATION IN IT ARE NOT TO BE USED, DISCLOSED OR REPRODUCED WITHOUT EXPRESS WRITTEN PERMISSION OF THE COMPANY.</small>				
<small>UNSPECIFIED TOLERANCES: (ALT. DIM.)</small>				
ONE DECIMAL PLACE (.X)	MM	[.020]	[.001]	
TWO DECIMAL PLACE (.XX)	MM	[.010]	[.0005]	
THREE DECIMAL PLACE (.XXX)	MM	[.005]	[.0002]	
FRACTIONAL +/- 1/32"	ANGULAR	+/- .50°	THIRD ANGLE PROJECTION	



- NOTES:**
- 1) USE SERVICABLE THREADLOCKER ON ALL FASTENERS TO ENGINE COMPONENTS AND TORQUE ALL BOLTS TO S.A.E. SPECIFICATIONS.
 - 2) SEE "TRANSARGTIC A/C COMPRESSOR MOUNT INSTALLATION DISCLAIMER".
 - 3) WEIGHT: 16.41 LB

ITEM	QTY	U/M	PART NUMBER	DESCRIPTION
3	4	EACH	WFS12002	WASHER, FLAT, HDN, 12mm, STL, BLK
2	1	EACH	PUL90009	PULLEY, CRANK, ISL-G, 8.9L, 2B/X, 8", '17
1	4	EACH	BTCT2080	BOLT, HEX, 12 x 1.75 x 80mm, T0.9, FLT

TRANSARGTIC INC.

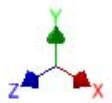
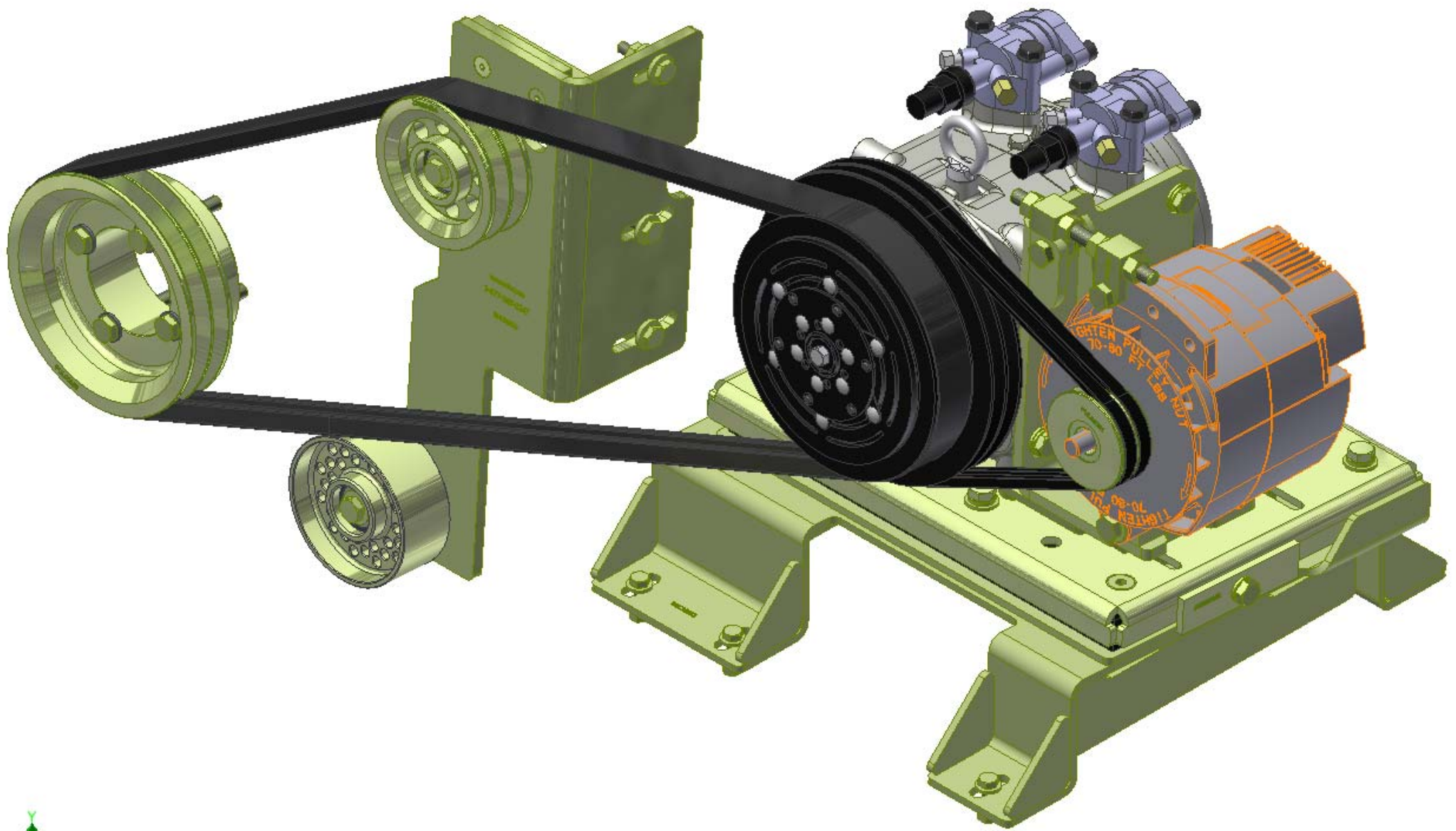
UNSPECIFIED TOLERANCES:	INCH DIM.	MILLIMETER DIM.
ONE DECIMAL PLACE (X.1)	±.05	±.002
TWO DECIMAL PLACE (X.01)	±.005	±.0002
THREE DECIMAL PLACE (X.001)	±.0005	±.00002
FRACTIONAL (1/16")	±.005	±.0002
ANGULAR	±.01°	

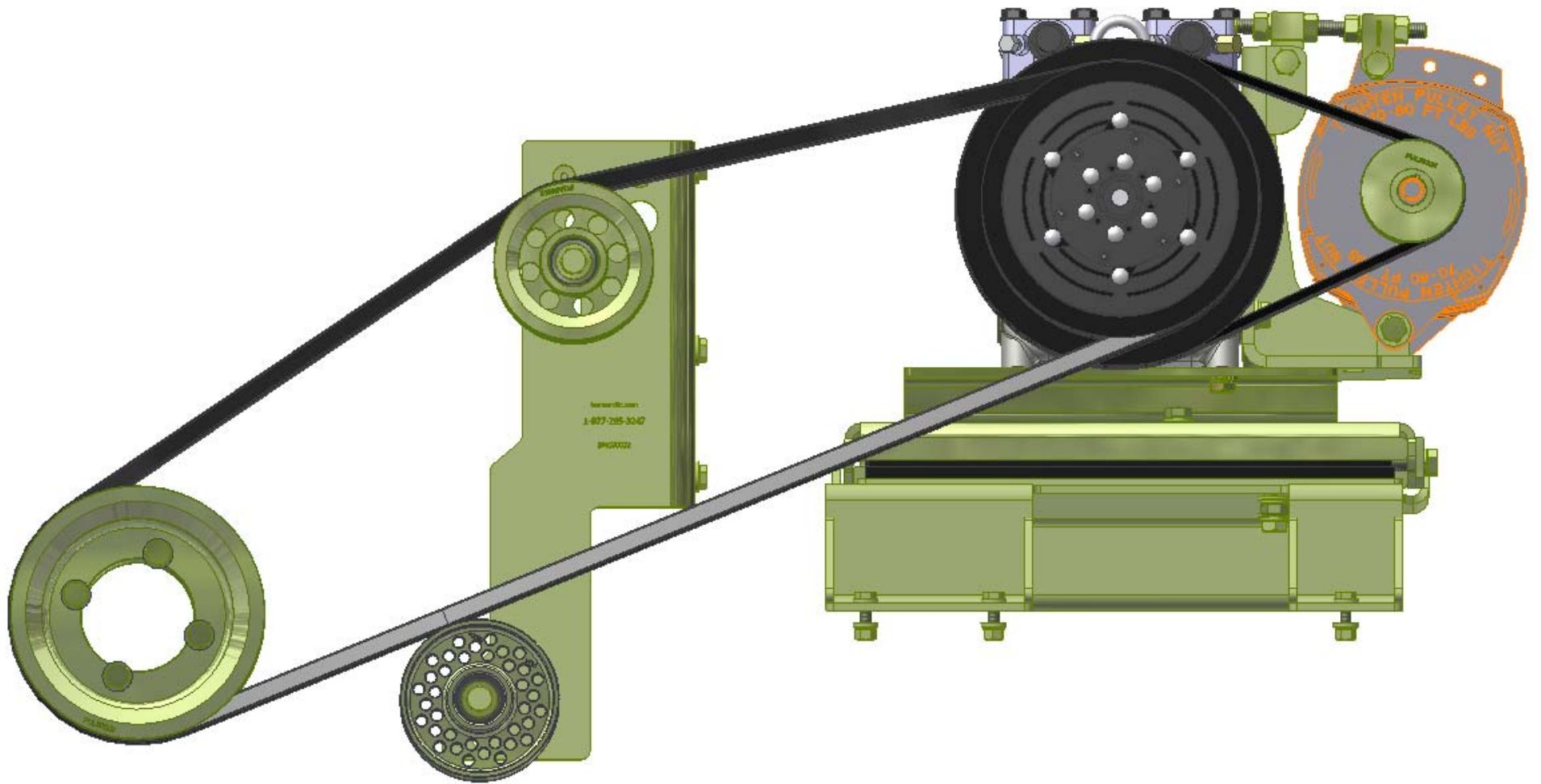
DRAWN	JRodriguez	12/16/2016	
CHECKED	Jose Rodriguez	12/16/2016	TITLE
REVISION	DESCRIPTION	DATE	BY
1	RELEASED TO PRODUCTION	12/16/2016	JR
2			GA
3			JR
4			GA
5			GA
6			GA
7			GA
8			GA
9			GA
10			GA
11			GA
12			GA
13			GA
14			GA
15			GA
16			GA
17			GA
18			GA
19			GA
20			GA
21			GA
22			GA
23			GA
24			GA
25			GA
26			GA
27			GA
28			GA
29			GA
30			GA
31			GA
32			GA
33			GA
34			GA
35			GA
36			GA
37			GA
38			GA
39			GA
40			GA
41			GA
42			GA
43			GA
44			GA
45			GA
46			GA
47			GA
48			GA
49			GA
50			GA
51			GA
52			GA
53			GA
54			GA
55			GA
56			GA
57			GA
58			GA
59			GA
60			GA
61			GA
62			GA
63			GA
64			GA
65			GA
66			GA
67			GA
68			GA
69			GA
70			GA
71			GA
72			GA
73			GA
74			GA
75			GA
76			GA
77			GA
78			GA
79			GA
80			GA
81			GA
82			GA
83			GA
84			GA
85			GA
86			GA
87			GA
88			GA
89			GA
90			GA
91			GA
92			GA
93			GA
94			GA
95			GA
96			GA
97			GA
98			GA
99			GA
100			GA

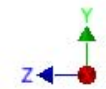
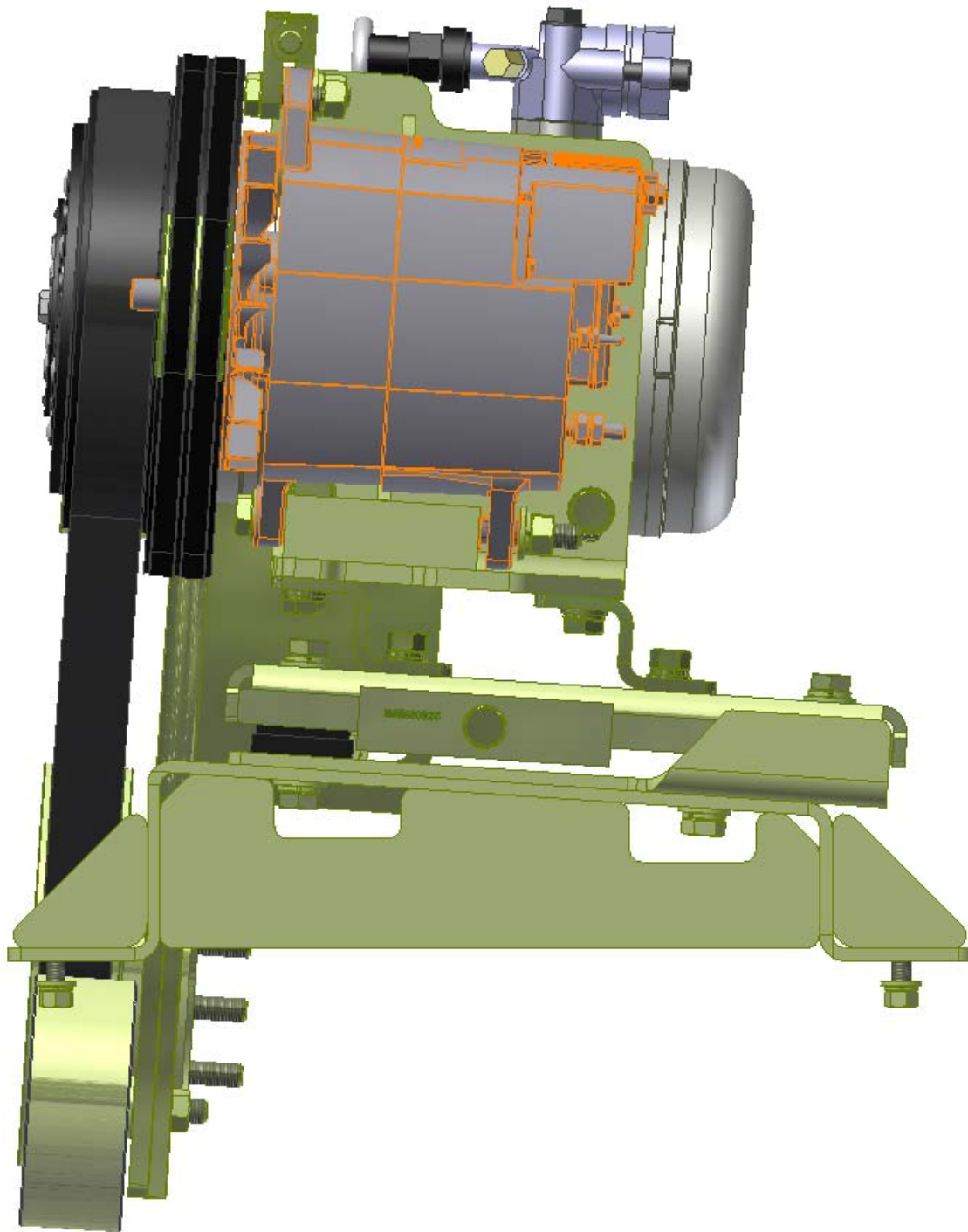
KIT, PULLEY, ISL-G, 8.9L, 2B/X, '17

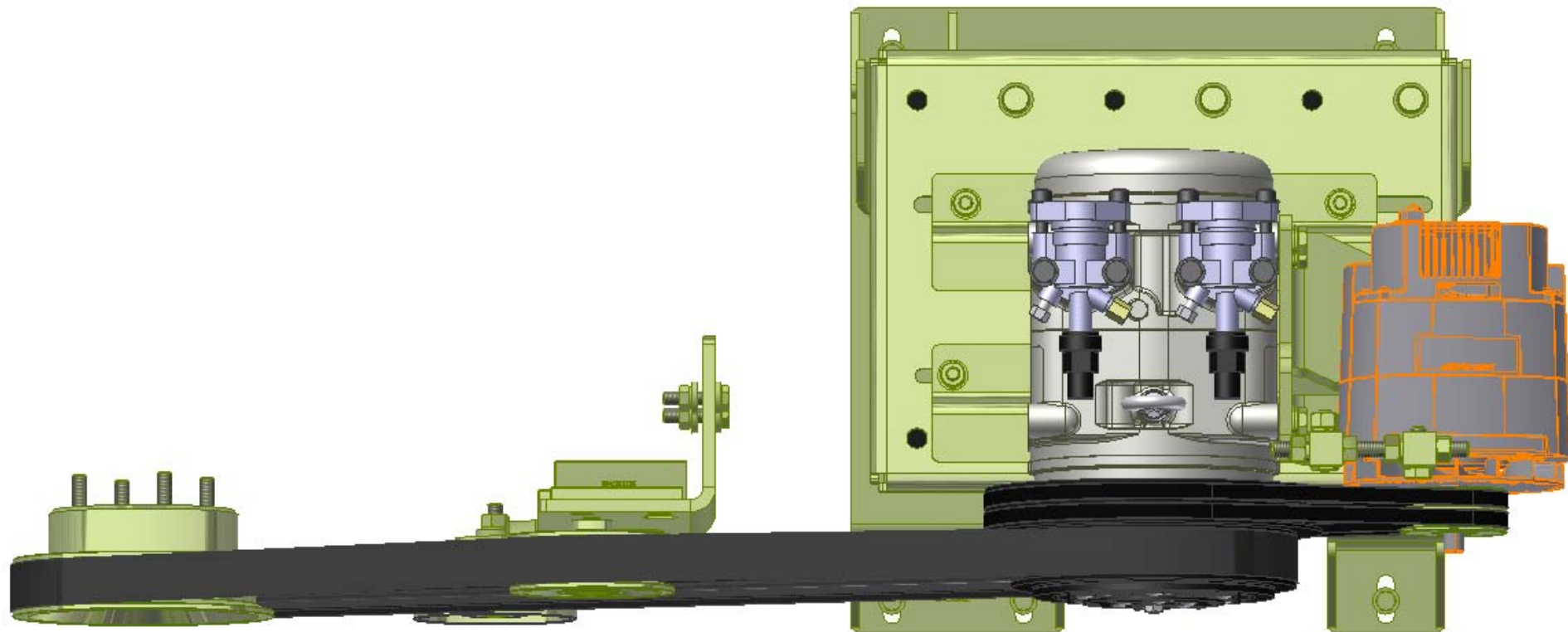
DWG NO: KPC90009

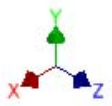
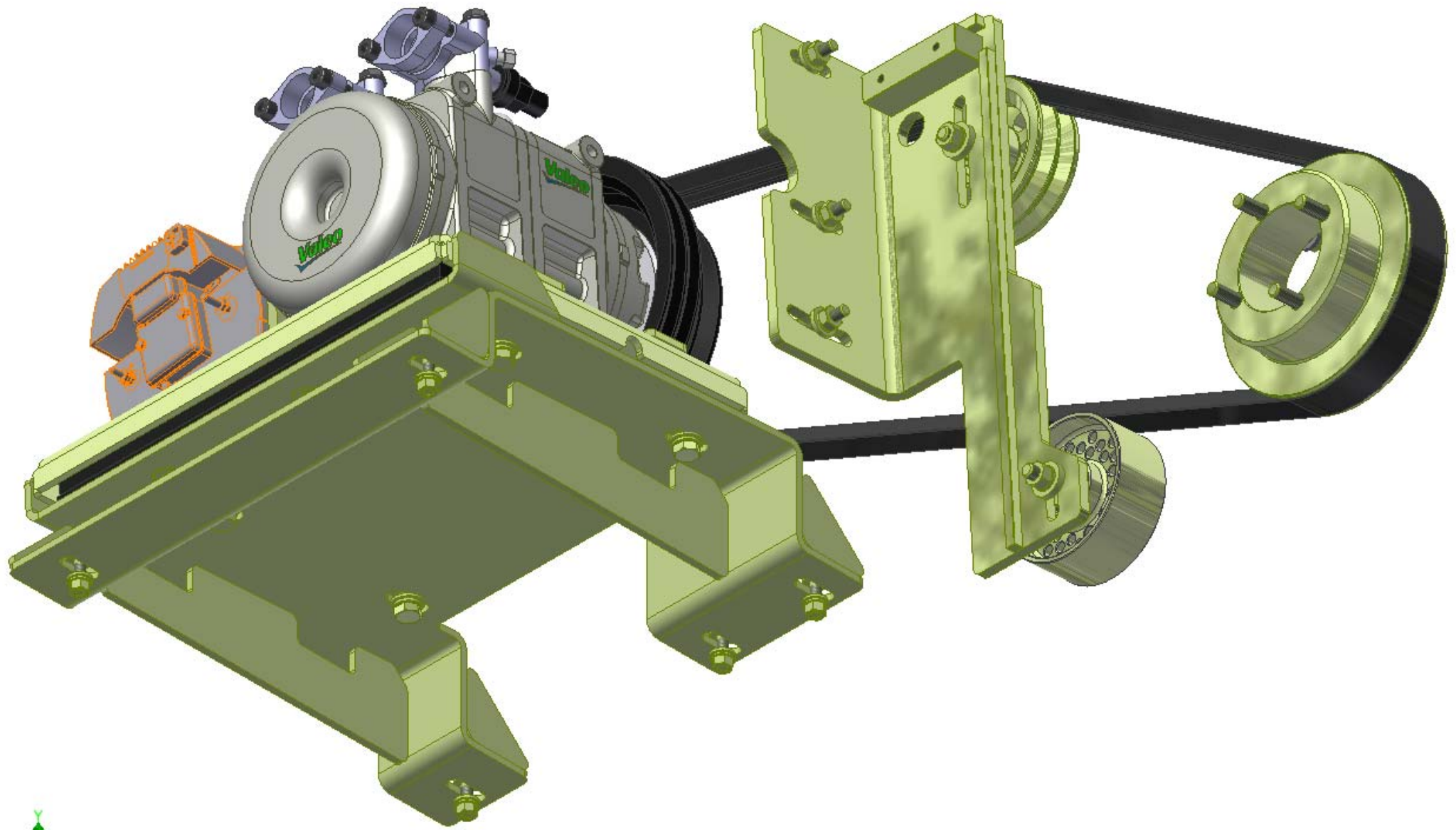
SCALE: 1:1 SHEET 1 OF 1











TransArctic A/C Compressor Mount Installation Disclaimer

All compressor mounts should be installed by qualified and trained personnel using proper tools and equipment in safe working conditions following industry standard guidelines for motor vehicle service and repair.

The installer of any compressor mount purchased from TransArctic must undertake all responsibility of issues arising from that compressor bracket being installed on any vehicle. As well as insure that a **proper and sufficient ground** is established between the compressors' clutches and the vehicle's engine. Mount functionality, operation and durability can all be compromised by an incompetent installation.

Due to the many different situations, parameters and application criteria, which are beyond the compressor mount manufacturer's control, TransArctic does not warrant design, durability, or operational functionality of any compressor mount improperly installed by another party.

With no implied guarantees it is the mount installer's strict responsibility to determine safety and functionality, of the compressor mount, at the time of installation.

Please contact TransArctic with any issue arising from installation so we may better improve the product. If you have any reservations about the compressor mount integrity contact TransArctic immediately at 1-877-COLD-AIR.

Mark OEM tensioner location

Install Kit

Check for Interferences

Check to ensure that the proper OEM tensioner orientation is maintained

Run engine with A/C system engaged for at least 10 minutes to run in belt

Check OEM tensioner orientation and adjust as required

Responsabilidad limitada de TransArctic en la instalación del soporte del compresor

Todos los soportes de los compresores deben ser instalados por personas calificadas y entrenadas, usando para ello los equipos y herramientas necesarios para esta labor en buenas condiciones y según las normas y guías para el servicio y/o reparación de motores de vehículos.

El instalador de los soportes comprados en TransArctic asume toda la responsabilidad de cualquier problema que surga en el soporte del compresor al vehículo; de igual manera es responsable que el cable a tierra sea conectado entre el embrague del compresor y el motor del vehículo.

Se advierte que el buen funcionamiento y la durabilidad del soporte pueden ser comprometidos por defectos en su instalación.

Debido a las diversas situaciones que se puedan presentar fuera del control del fabricante, TransArctic no garantiza el diseño, la durabilidad o el correcto funcionamiento de cualquier equipo inapropiadamente instalado por terceros.

Esta sobreentendido que el Instalador del montaje del compresor es estrictamente responsable de la seguridad y funcionamiento del equipo en el momento de la instalación.

Si tuviera algún problema o duda acerca de la instalación del soporte del compresor pongase en contacto inmediatamente con TransArctic al teléfono 1-877-COLD-AIR de modo que podamos mejorar nuestro producto.

Note la ubicación del medidor de tensión OEM

Instale el equipo

Controlar si hay interferencias.

Asegurese que el medidor de tensión mantenga la orientación justa.

Encienda el motor por lo menos 10 minutos con el sistema A/C enganchado para que la correa corra

Controle la orientación justa del medidor de tensión y ajuste a las condiciones requeridas del fabricante