

Bill of Materials Listing

TransArctic Canada Inc.

12/29/2005

Page 1 of 1

Product Number		Description	Bin	Date	Weight	Uof M	Yield
Line	Component Prod#	Description		Unit	Qty		
KMN84570		Mt. Kit, DT466, CE300, 2 TM-21/TM-16		8/30/2004	34.45		0
10	BEL82629	Belt, 8gr, 2629mm (103.5") (5081035)		each	1		
20	BMN60001	Bkt, Spacer, DT466, CE300		each	1		
30	BMN80001	Bkt, Main, DT466, CE300, 2 TM-21/TM-16		each	1		
40	PUL80076	Pulley, Idler, Backside, P8, 76d (89062)		each	2		
50	SLV17010	Sleeve, Pulley, 16.9o x 22.23mm x 10.32i		each	1		
60	SCD39710	Spacer, Col, Drl, 39.7mm x 25.4o x 10.3i		each	1		
63	FTP06090	Ftg, Pipe,Elb,1/4"npt to 3/8" barb,Brass		each	1		
66	FTS12001	Ftg, Adap, M12 x 1.5 x 1/4" fnpt, STL		each	1		
68	ORS12001	O Ring, Seal, 12 mm metric		each	1		
70	SPR00001	Spring, Support, 6.5" O/A		each	1		
80	KBN84570	Bag Kit, Fasteners, KMN84570/1960/2661		each	1		

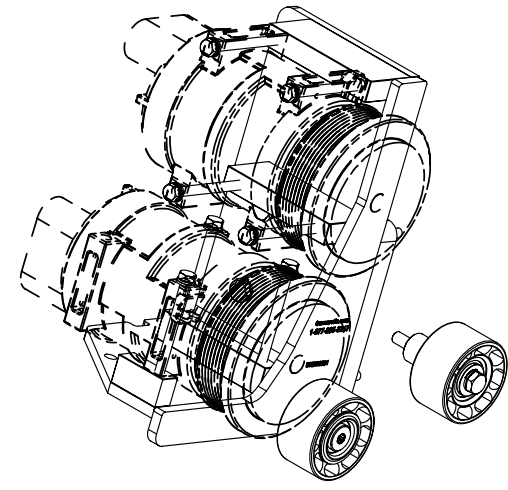
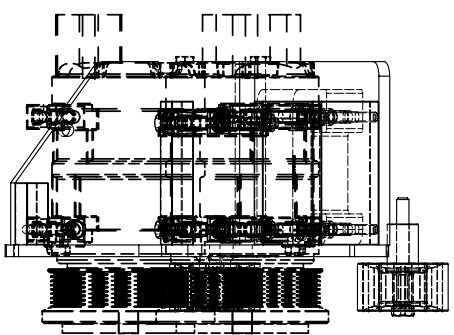
Bill of Materials Listing

TransArctic Canada Inc.

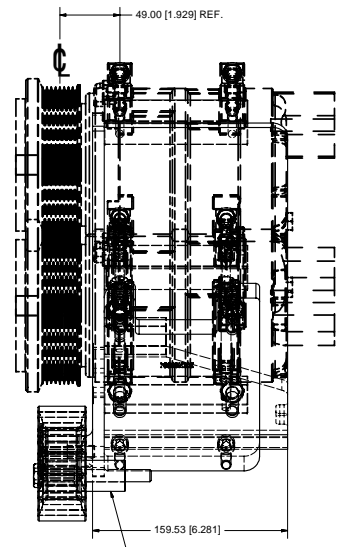
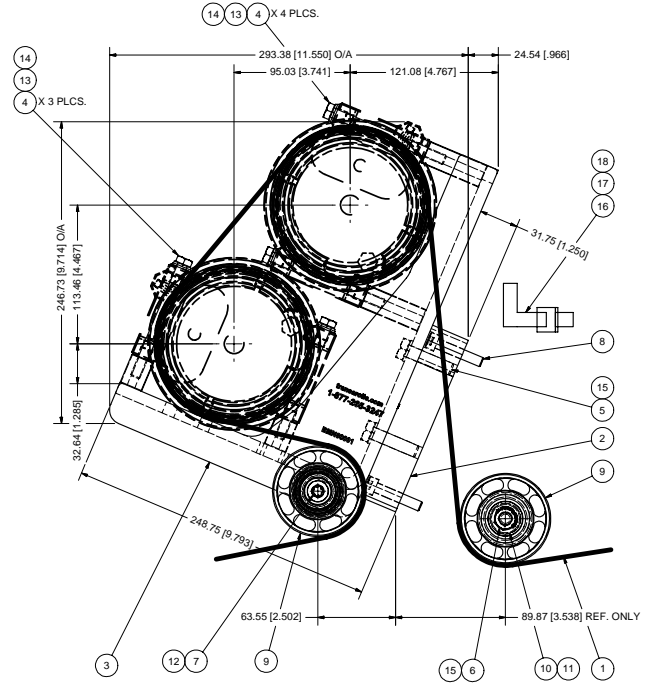
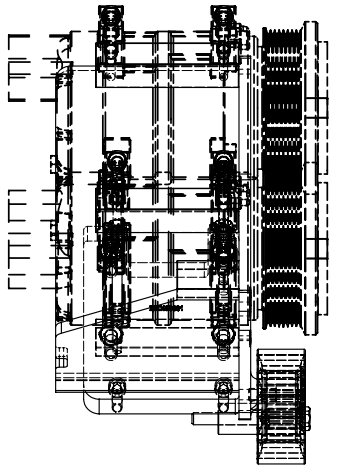
12/22/2005

Page 1 of 1

Product Number		Description	Bin	Date	Weight	Uof M	Yield
Line	Component Prod#	Description		Unit	Qty		
KBN84570		Bag Kit, Fasteners, KMN84570		9/1/2004	1.00		1
10	BTC10090	Bolt, Hex, 10 x 1.5 x 90mm, 10.9, Plt		each	1		
20	BTC10040	Bolt, Hex, 10 x 1.5 x 40mm, 10.9, Plt		each	4		
30	BTC08100	Bolt, Hex, 8 x 1.25 x 100mm, 10.9, Plt		each	7		
40	BTS10001	Bolt, Shoulder, 10mm (89064)		each	1		
50	CSS08040	Capscrew, SH, 8 x 1.25 x 40mm, 12.9, Plt		each	4		
60	WDS17001	Washer, Dust Cover (89060)		each	1		
70	WFA08000	Washer, Flat, 8mm, 8.8, Plt		each	7		
80	WLA10000	Washer, Lock, 10mm, 8.8, Plt		each	5		
90	WLA08000	Washer, Lock, 8mm, 8.8, Plt		each	7		



ISOMETRIC VIEW



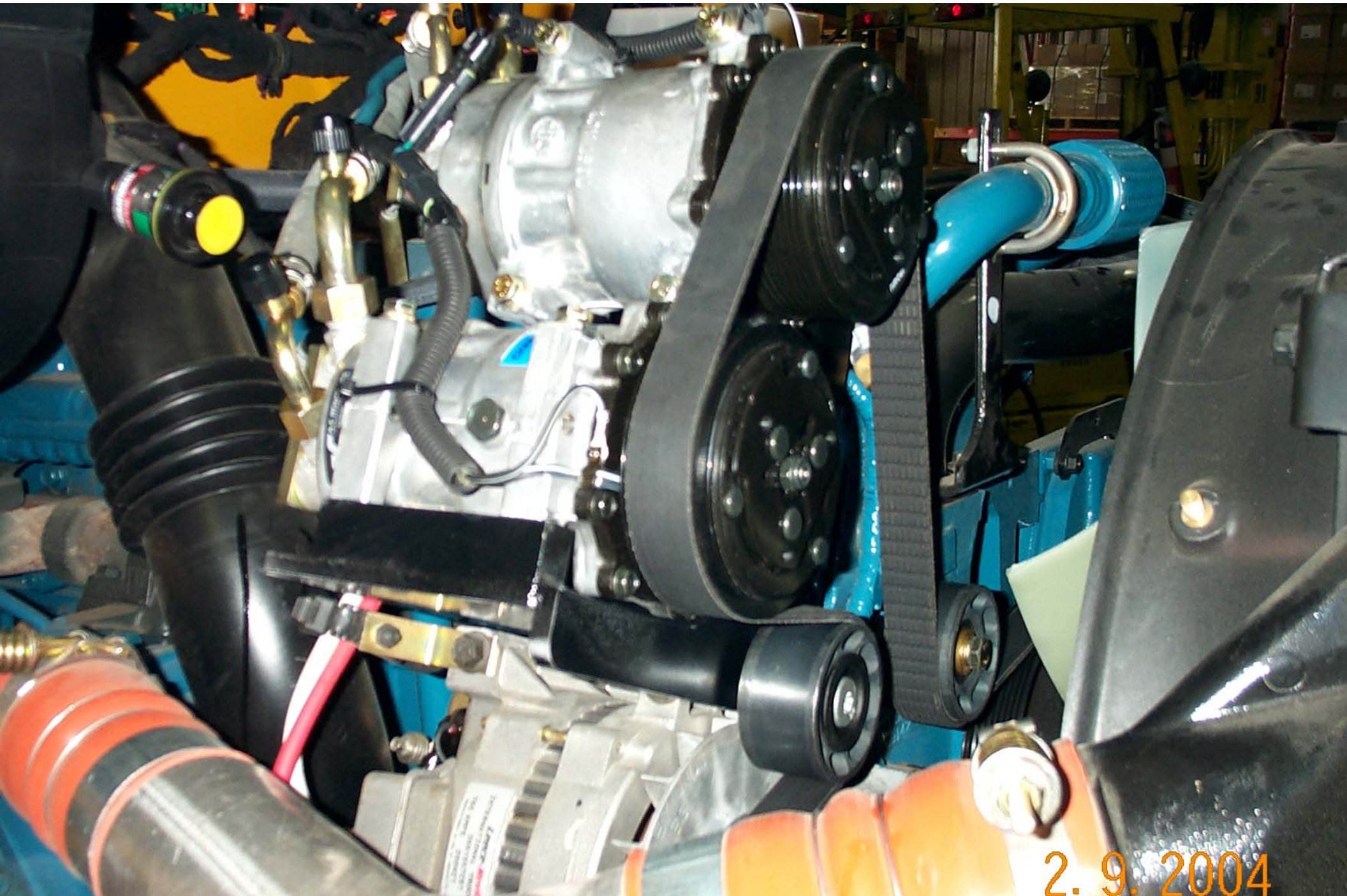
ITEM	QTY	U/M	PART NUMBER	DESCRIPTION
19	1	EACH	SPR00001	SPRING, SUPPORT, 6.5" O/A
18	1	EACH	ORS12001	O RING, SEAL, 12 mm METRIC
17	1	EACH	FTS06001	FTG. BARB, 3/8" JIC svl x 3/8" HOSE, BRASS
16	1	EACH	FTS12091	FTG. JIC, ELBOW, M12 x 3/8" JIC, 90d, STL
15	5	EACH	WLA10000	WASHER, LOCK, 10mm, 8.8, PLT
14	7	EACH	WLA08000	WASHER, LOCK, 8mm, 8.8, PLT
13	7	EACH	WFA08000	WASHER, FLAT, 8mm, 8.8, PLT
12	1	EACH	WDS17001	WASHER, DUST COVER (PUL80076)
11	1	EACH	SLV17010	SLEEVE, PULLEY, 16.96 x 22.23mm x 10.32
10	1	EACH	SCD39710	SPACER, COIL, DRL, 39.7mm x 25.40 x 10.31
9	2	EACH	PUL80076	PULLEY, IDLER, BACKSIDE, P8, 76D, 39W
8	4	EACH	CSS08040	CAPSCREW, SH, 8 x 1.25 x 40mm, 12.9, PLT
7	1	EACH	BTS10001	BOLT, SHOULDER, 10mm (IDLER PULLEY)
6	1	EACH	BTC10090	BOLT, HEX, 10 x 1.5 x 90mm, 10.9, PLT
5	4	EACH	BTC10040	BOLT, HEX, 10 x 1.5 x 40mm, 10.9, PLT
4	7	EACH	BTC08100	BOLT, HEX, 8 x 1.25 x 100mm, 10.9, PLT
3	1	EACH	BMN80001	BKT, MAIN, DT466, CE300, 2 TM-21/TM16
2	1	EACH	BMN60001	BKT, SPACER, DT466, CE300
1	1	EACH	BELA2629	BELT, 8gr, 2629mm (103.5") (5081035)

TRANSARGTIG INC.

Mt Kit, DT466, CE300, 2 TM-21/TM16

REV	DESCRIPTION	DATE	BY
1	GENERAL UPDATE	6/23/2006	VAL/J
0	RELEASED TO PRODUCTION	12/21/2005	GA
REV	DESCRIPTION	DATE	BY
1	James Stewart	12/21/2005	MF3
2	Val Jakowlew	12/21/2005	MF3
3	Date Mason	12/21/2005	MF3

DRAWN	vjakowlew	12/21/2005	CHECKED	Ron Ingram	12/21/2005	TITLE																
<p>UNSPECIFIED TOLERANCES:</p> <table border="0"> <tr> <td>ONE DECIMAL PLACE (X.0)</td> <td>FRAC</td> <td>1/16</td> <td>INCH</td> </tr> <tr> <td>TWO DECIMAL PLACE (X.00)</td> <td>FRAC</td> <td>1/32</td> <td>INCH</td> </tr> <tr> <td>THREE DECIMAL PLACE (X.000)</td> <td>FRAC</td> <td>1/64</td> <td>INCH</td> </tr> <tr> <td>FRACTIONAL (1/16)</td> <td>ANGULAR</td> <td>± 30'</td> <td></td> </tr> </table>							ONE DECIMAL PLACE (X.0)	FRAC	1/16	INCH	TWO DECIMAL PLACE (X.00)	FRAC	1/32	INCH	THREE DECIMAL PLACE (X.000)	FRAC	1/64	INCH	FRACTIONAL (1/16)	ANGULAR	± 30'	
ONE DECIMAL PLACE (X.0)	FRAC	1/16	INCH																			
TWO DECIMAL PLACE (X.00)	FRAC	1/32	INCH																			
THREE DECIMAL PLACE (X.000)	FRAC	1/64	INCH																			
FRACTIONAL (1/16)	ANGULAR	± 30'																				
DRAWING UNIT OF MEASURE		MM [INCH]	THIRD ANGLE PROJECTION		SCALE	1:2																
SIZE	D	DWG NO	KMN84570	REV	1																	
SHEET			1	OF 1																		



2.9.2004

TransArctic A/C Compressor Mount Installation Disclaimer

All compressor mounts should be installed by qualified and trained personnel using proper tools and equipment in safe working conditions following industry standard guidelines for motor vehicle service and repair.

The installer of any compressor mount purchased from TransArctic must undertake all responsibility of issues arising from that compressor bracket being installed on any vehicle. Mount functionality, operation and durability can all be compromised by an incompetent installation.

Due to the many different situations, parameters and application criteria, which are beyond the compressor mount manufacturer's control, TransArctic does not warrant design, durability, or operational functionality of any compressor mount improperly installed by another party.

With no implied guarantees it is the mount installer's strict responsibility to determine safety and functionality, of the compressor mount, at the time of installation.

Please contact TransArctic with any issue arising from installation so we may better improve the product. If you have any reservations about the compressor mount integrity contact TransArctic immediately at 1-877-COLD-AIR.