



# SERVICE PARTS LIST

for

# SPLIT SYSTEMS CONDENSERS

**T-299PL Condensers**

REV. 02/2022



# TABLE OF CONTENTS

INTRODUCTION .....	vi
ORDERING INSTRUCTIONS .....	vi
GENERAL NOTES .....	vi
<b>SECTION 1 - CONDENSERS .....</b>	<b>1</b>
SECTION 1.1 CM-2 CONDENSERS .....	1
1.1.1 CONDENSER, CM-2, GEN 4 .....	1
1.1.2 CONDENSER, CM-2, MCHX, VENTURI ASSEMBLY: OPTION 1 .....	3
1.1.2 CONDENSER, CM-2, MCHX, VENTURI ASSEMBLY: OPTION 2 .....	4
1.1.2 CONDENSER, CM-2, MCHX, VENTURI ASSEMBLY: OPTION 3 .....	5
1.1.2 CONDENSER, CM-2, MCHX, VENTURI ASSEMBLY (24V): OPTION 4 .....	6
1.1.2 CONDENSER, CM-2, MCHX, VENTURI ASSEMBLY (12V): OPTION 5 .....	7
1.1.3 CM-2, CONDENSER GROUND/POWER HARNESS .....	7
1.1.4 CONDENSER COIL REPLACEMENT KIT, CM-2, MICRO-CHANNEL (MCHX) : OPTION 1 .....	8
1.1.5 CONDENSER, CM-2 SLIM LINE MCHX, (12VDC) COMMON PARTS: OPTION 1	10
1.1.5 CONDENSER, CM-2 SLIM LINE MCHX, (24VDC) COMMON PARTS: OPTION 2	11
1.1.5 CONDENSER, CM-2 SLIM LINE MCHX, (24VDC) COMMON PARTS: OPTION 3	12
1.1.6 CM-2, CONDENSER HARNESS 22-62273-00: OPTION 1 .....	13
1.1.6 CM-2, CONDENSER HARNESS 22-62260-00: OPTION 2 .....	13
1.1.6 CM-2, CONDENSER HARNESS 22-62206-00: OPTION 3 .....	14
1.1.6 CM-2, CONDENSER HARNESS Y25-00080-00: OPTION 4 .....	14
1.1.6 CM-2, CONDENSER HARNESS Y25-00080-01: OPTION 5 .....	15
1.1.7 CONDENSER COIL REPLACEMENT KIT, CM-2 , SLIM LINE MICRO-CHANNEL (MCHX) : OPTION 1 .....	16
1.1.8 CONDENSER, CM-2, MCHX, GRILL ASSEMBLY: OPTION 1 .....	17
1.1.8 CONDENSER, CM-2, MCHX, GRILL ASSEMBLY: OPTION 2 .....	17
1.1.8 CONDENSER, CM-2, MCHX, GRILL ASSEMBLY: OPTION 3 .....	18
1.1.8 CONDENSER, CM-2, MCHX, GRILL ASSEMBLY: OPTION 4 .....	18
1.1.9 CONDENSER, CM-2 SEVERE DUTY MCHX, CHASSIS KIT (12V & 24v) COMMON PARTS .....	20
1.1.9 CONDENSER, CM-2 SEVERE DUTY MCHX, SERVICE REPLACEMENT CHASSIS (12V & 24V) : ALL .....	21
1.1.10 CONDENSER, CM-2 SEVERE DUTY MCHX, Electrical Harness : option 1 .....	22
1.1.10 CONDENSER, CM-2 SEVERE DUTY MCHX, Electrical Harness : option 2 .....	23
1.1.11 CONDENSER, CM-2 SEVERE DUTY MCHX, Grill: option 1 .....	24
1.1.11 CONDENSER, CM-2 SEVERE DUTY MCHX, Grill: option 2 .....	24
1.1.11 CONDENSER, CM-2 SEVERE DUTY MCHX, Grill: option 3 .....	24
1.1.12 CONDENSER, CM2 (Long) , CHASSIS KIT: Option 1 .....	26
1.1.12 CONDENSER, CM2 (Long) , CHASSIS KIT: Option 2 .....	27
1.1.13 CONDENSER, CM2 (Long), HARNESS , ELECTRICAL : Option1 .....	28
1.1.13 CONDENSER, CM2 (Long), HARNESS , ELECTRICAL : Option 2 .....	29



# TABLE OF CONTENTS

1.1.13 CONDENSER, CM2 (Long), HARNESS , ELECTRICAL : Option 3 ..... 30

1.1.13 CONDENSER, CM2 (Long), HARNESS , ELECTRICAL : Option 4 ..... 31

1.1.14 CONDENSER, CM2 (Long) , GRILLE, OPTIONS 1,2 & 3 ..... 32

1.1.15 CONDENSER, CM2 (Long) , SERVICE REPLACEMENT CHASSIS, OPTION 3 ... 33

1.1.15 CONDENSER, CM2 (Long) , SERVICE REPLACEMENT CHASSIS, OPTION 4 ... 34

SECTION 1.2 CM-3 CONDENSERS ..... 35

1.2.1 CONDENSER, CM-3, GEN 4 ..... 35

1.2.2 CONDENSER, CM-3, MCHX, VENTURI ASSEMBLY: OPTION 1 ..... 37

1.2.2 CONDENSER, CM-3, MCHX, VENTURI ASSEMBLY: OPTION 2 ..... 38

1.2.2 CONDENSER, CM-3, MCHX, VENTURI ASSEMBLY: OPTION 3 ..... 39

1.2.2 CONDENSER, CM-3, MCHX, VENTURI ASSEMBLY: OPTION 4 ..... 40

1.2.2 CONDENSER, CM-3, MCHX, VENTURI ASSEMBLY: OPTION 5 ..... 41

1.2.3 CM-3, CONDENSER GROUND/POWER HARNESS ..... 41

1.2.4 CONDENSER, CM-3, MCHX, REPLACEMENT CHASSIS (77-01277-50) ..... 42

1.2.5 CONDENSER, CM-3 SLIM LINE MCHX, VENTURI ASSEMBLY (12V) COMMON PARTS:  
OPTION 1 ..... 44

1.2.5 CONDENSER, CM-3 SLIM LINE MCHX, VENTURI ASSEMBLY (24V) COMMON PARTS:  
OPTION 2 ..... 45

1.2.6 CONDENSER, CM-3 SLIM LINE MCHX, VENTURI ASSEMBLY (24V) COMMON PARTS:  
OPTION 3 ..... 46

1.2.7 CM-3, CONDENSER HARNESS 22-62205-00: OPTION 1 ..... 47

1.2.7 CM-3, CONDENSER HARNESS 22-62258-00: OPTION 2 ..... 48

1.2.7 CM-3, CONDENSER HARNESS 22-62272-00: OPTION 3 ..... 49

1.2.7 CM-3, CONDENSER HARNESS 22-62272-01: OPTION 4 ..... 49

1.2.7 CM-3, CONDENSER HARNESS , Y25-00079-00: OPTION 5 ..... 50

1.2.8 CONDENSER COIL REPLACEMENT KIT, CM-3 SLIM LINE, MICRO-CHANNEL  
(MCHX) : OPTION 1 ..... 51

1.2.9 CONDENSER, CM-3, MCHX, GRILL ASSEMBLY: OPTION 1 ..... 52

1.2.9 CONDENSER, CM-3, MCHX, GRILL ASSEMBLY (CHASSIS MOUNTED): OPTION 2 ..  
..... 52

1.2.9 CONDENSER, CM-3, MCHX, GRILL ASSEMBLY (CHASSIS MOUNTED): OPTION 3 ..  
..... 53

1.2.9 CONDENSER, CM-3, MCHX, GRILL ASSEMBLY: OPTION 4 ..... 53

1.2.9 CONDENSER, CM-3 , MCHX, GRILL ASSEMBLY: OPTION 5 ..... 53

1.2.10 CONDENSER, CM-3 SEVERE DUTY MCHX (E-Coated), CHASSIS KIT (12V & 24V)  
COMMON PARTS ..... 55

1.2.10 CONDENSER, CM-3 SEVERE DUTY MCHX, SERVICE REPLACEMENT CHASSIS (12V  
& 24V) ..... 56

1.2.11 CM-3, CONDENSER HARNESS , SEVERE DUTY MCHX, 12 & 24 VDC OPTION 1 ....  
..... 57

1.2.11 CM-3, CONDENSER HARNESS , SEVERE DUTY MCHX, 12 & 24 VDC OPTION 2 ...  
..... 58



# TABLE OF CONTENTS

1.2.12 CONDENSER, CM3 SEVERE DUTY, GRILLE, OPTIONS 1,2 & 3 ..... 59

1.2.13 CONDENSER, CM-3 SEVERE DUTY MCHX (Heavy Duty Fins), CHASSIS KIT (12V) COMMON PARTS ..... 61

1.2.14 CM-3, CONDENSER HARNESS 22-62272-00: Option 1 ..... 62

1.2.14 CM-3, CONDENSER HARNESS , Y25-00079-00: OPTION 2 ..... 62

1.2.14 CM-3, CONDENSER HARNESS 22-62272-01: OPTION 3 ..... 63

1.2.15 CONDENSER, CM3 SEVERE DUTY, GRILLE, OPTIONS 1,2 & 3 ..... 64

1.2.16 CONDENSER, CM-3 SEVERE DUTY MCHX (Heavy Duty Fins), CHASSIS KIT (24V) COMMON PARTS ..... 65

1.2.14 CONDENSER, CM-3 SEVERE DUTY MCHXX (Severe Duty Fins) , SERVICE REPLACEMENT CHASSIS ..... 66

SECTION 1.3 CM-5 CONDENSER ..... 67

1.3.1 CONDENSER, CM-5 ..... 67

1.3.2 CONDENSER, CM-5, FRONT and TOP VIEWS, 77-62001-00 , -01 & -02 ..... 68

1.3.3 CONDENSER, CM-5, BACK, SIDE and BOTTOM VIEWS, 77-62001-00 , -01 & -02 . 69

1.3.4 CONDENSER, CM-5, HARNESS ASSEMBLY - 22-62012-00 ..... 70

1.3.5 CONDENSER, CM-5, SKIRT MOUNTED GRILL ..... 70

1.3.6 LIQUID LINE ASSEMBLY, CM-5, CM-14, & C4RE, (REMOTE) ..... 71

SECTION 1.4 CM-14 CONDENSER SERIES ..... 72

1.4.1 CONDENSER, CM-14 STANDARD MODEL (77-62083-02, -04, -08, -09, -10 & -11) . 72

1.4.2 CONDENSER, CM-14, GRILL, STANDARD MODEL, (77-62083-02 & -04 ) ..... 74

1.4.2 CONDENSER, CM-14, GRILL, CHASSIS MOUNTED - (77-62083-08 & -09) ..... 74

1.4.3 CM-14, CONDENSER GROUND/POWER HARNESS (FOR 77-62083-02, -04, -08, -09) .. 74

.....

1.4.4 CONDENSER, CM-14 C4RE MODEL (77-62083-00) ..... 75

1.4.4 CONDENSER, CM-14 C4RE, CHECK VALVE & TUBE ASSEMBLY ..... 76

1.4.4 CONDENSER, CM-14 C4RE, DISCHARGE VALVE ASSEMBLY (BB) ..... 77

1.4.4 CONDENSER, CM-14 C4RE, SUCTION VALVE ASSEMBLY (BB) ..... 77

1.4.4 CONDENSER, CM-14 C4RE LOW AMBIENT THERMOSTAT SWITCH ..... 77

1.4.5 CONDENSER, CM-14 MCHX, CHASSIS KIT (12V), OPTION 1 ..... 79

1.4.5 CONDENSER, CM-14 MCHX, CHASSIS KIT (24V), OPTION 2 ..... 80

1.4.6 CONDENSER, CM-14 MCHX, HARNESS , ELECTRICAL : Option 1 ..... 81

1.4.6 CONDENSER, CM-14 MCHX, HARNESS , ELECTRICAL : Option 2 ..... 82

1.4.6 CONDENSER, CM-14 MCHX, HARNESS , ELECTRICAL: Option 3 ..... 83

1.4.7 CONDENSER, CM-14 MCHX , GRILLE, OPTIONS 1,2 & 3 ..... 84

1.4.8 CONDENSER, CM-14 MCHX , SERVICE REPLACEMENT CHASSIS (ALL) ..... 85

SECTION 1.5 CM-15 CONDENSER SERIES ..... 86

1.5.1 CONDENSER, CM-15 (77-62175-00) ..... 86

SECTION 1.6 CM-16 CONDENSER SERIES ..... 87

1.6.1 CONDENSER, CM-16 (77-62201-00) ..... 87

1.6.2 CONDENSER, CM-16 (14-5101) ..... 88



# TABLE OF CONTENTS

SECTION 1.7 K410 CONDENSER SERIES ..... 89

1.7.1 CONDENSER, K410, 3 MOTOR, 12V (SPAIN) 02-94-10-101-00 ..... 89

1.7.1 CONDENSER, K410, 3 MOTOR, 12V (SPAIN) - Continued: ..... 91

1.7.2 CONDENSER, K410, 3 MOTOR, 12V (NORTH AMERICAN VERSION) ..... 92

1.7.3 CONDENSER, K410 WINTERGUARD KIT (NORTH AMERICAN VERSION) ... 93

1.7.4 CONDENSER, K410 BRUSH GUARD KIT (NORTH AMERICAN VERSION) KIT # ...  
..... 93

SECTION 1.8 CR410 CONDENSER SERIES ..... 94

1.8.1 CHASSIS KIT , CR410 : OPTION (ALL ) ..... 95

1.8.2 COVERS , CR410 : OPTIONS 1 thru 4 ..... 96

1.8.3 WIRE HARNESS, CONDENSER 3 - 11” FANS : OPTION (ALL) ..... 97

SECTION 1.9 CONDENSER, CR430 Condensers ..... 98

INTRODUCTION ..... 98

CONFIGURATION IDENTIFICATION ..... 98

OPTION DESCRIPTION ..... 98

    Skins Kit ..... 98

    Refrigeration Kit ..... 98

    Electrical Kit ..... 98

    Frame Kit ..... 98

1.9.1 CONDENSER SKINS (COVERS), CR430- OPTIONS 1 & 2 & 3 ..... 100

1.9.2 CONDENSER Winter Guard Kit, (ALL) ..... 101

1.9.3 CHASSIS Kit (Coils), CR430- OPTIONS 1 & 2 ..... 102

1.9.4 REFRIGERATION PIPING KIT, CR430, DUAL LOOP- OPTION 1 ..... 103

1.9.4 REFRIGERATION PIPING KIT, CR430 SINGLE LOOP- OPTION 2 ..... 105

1.9.4 REFRIGERATION PIPING KIT, CR430 DUAL LOOP (Less Filter Driers) - OPTION 3 ..  
..... 107

1.9.5 FAN & MOTOR KITS, CR430 OPTION 1, 2 & 3 ..... 109

1.9.6 ELECTRICAL KIT, CR430 SINGLE LOOP 3 Fan- Option 1 ..... 110

1.9.6 ELECTRICAL KIT, CR430 DUAL LOOP 3 Fan- Option 2 ..... 111

1.9.6 ELECTRICAL KIT, CR430 DUAL LOOP 2 Fan- Option 3 ..... 112

1.9.6 ELECTRICAL KIT, CR430 SINGLE LOOP 3 Fan, 24VDC, Circuit Protection Weatherpac  
Connectors- Option 4 ..... 113

1.9.6 ELECTRICAL KIT, CR430 SINGLE LOOP 2 Fan, 12VDC, Circuit Protection Molex  
Connectors- Option 5 ..... 114

1.9.6 ELECTRICAL KIT, CR430 SINGLE LOOP 3 Fan, 12VDC, Circuit Protection Molex  
Connectors- Option 6 ..... 115

1.9.6 ELECTRICAL KIT, CR430 DUAL LOOP 2 Fan, 24 & 12VDC  
Circuit Protect, Press. Switches, Molex Connectors- Option 7 ..... 116

1.9.6 ELECTRICAL KIT, CR430 DUAL LOOP 3 Fan, 24 & 12VDC  
Circuit Protect, Press. Switches, Molex Connectors- Option 8 ..... 117



# TABLE OF CONTENTS

SECTION 1.10 CONDENSER, 68KR4-101 SERIES ..... 118

INTRODUCTION ..... 118

CONFIGURATION IDENTIFICATION ..... 118

OPTION DESCRIPTION ..... 118

    Skins Kit ..... 118

    Refrigeration Kit ..... 118

    Electrical Kit ..... 118

    Frame Kit ..... 118

1.10.1 CONDENSER, 68KR4-101 & 68KR4-102 SERIES ..... 120

1.10.2 CONDENSER, 68KR4-101 & 68KR4-102 SERIES, SKINS KIT - OPTION 1 & 2 .... 121

1.10.3 CONDENSER, 68KR4-101 SERIES, REFIGERATION KIT, DUAL LOOP - OPTION 1 .. 122

1.10.3 CONDENSER, 68KR4-101 SERIES, REFRIGERANT KIT, SINGLE LOOP - OPTION 2 . 124

1.10.3 CONDENSER, 68KR4-101 SERIES, REFIGERATION KIT, DUAL LOOP - OPTION 3 .. 126

1.10.3 CONDENSER, 68KR4-102 SERIES, REFIGERATION KIT, DUAL LOOP - OPTION 4 .. 128

1.10.3 CONDENSER, 68KR4-102 SERIES, REFRIGERANT KIT, SINGLE LOOP - OPTION 5 . 130

1.10.3 CONDENSER, 68KR4-102 SERIES, REFIGERATION KIT, DUAL LOOP - OPTION 6 .. 132

1.10.4 CONDENSER, 68KR4-101 SERIES, ELECTRICAL KIT - OPTION 1, 2, 3 & 4 ..... 134

1.10.4 CONDENSER, 68KR4-102 SERIES, ELECTRICAL KIT - OPTIONS 5 & 6 ..... 136

1.10.4 CONDENSER, 68KR4-102 SERIES HARNESS DETAIL, OPTIONS 5 & 6 ..... 137

1.10.5 68KR4-101 SERIES, FRAME KIT, OPTION 1 (ALL) ..... 138

1.10.6 KR4 FEED-THROUGH PLATE ASSEMBLY ..... 139

1.10.7 KR4 BULKHEAD FEED-THROUGH ASSEMBLY (79-62105-00 REFERENCE ONLY) .. 139

SECTION 1.11 CONDENSER, 68KR2/3-101 SERIES ..... 140

INTRODUCTION ..... 140

CONFIGURATION IDENTIFICATION ..... 140

OPTION DESCRIPTION ..... 140

    Cover Kit ..... 140

    Electrical Kit ..... 140

SECTION 1.11 CONDENSER, 68KR2 & 68KR3-101 SERIES ..... 141

1.11.1 CONDENSER, 68KR2 & 68KR3-101 SERIES - FRAME KIT : ALL OPTIONS 1 & 2 141

1.11.2 CONDENSER, 68KR3-101 SERIES - COVER KIT - OPTIONS 1 thru 4 ..... 142

1.11.3 CONDENSER, 68KR3-101 SERIES - ELECTRICAL KITS - (77-62172-01, -03, -05, -07) ... 143

1.11.4 CONDENSER, 68KR2-101 SERIES - COVER KIT - 77-62171-00, -02 & -05 ..... 144

1.11.5 CONDENSER, 68KR2-101 SERIES - ELECTRICAL KIT - 77-62172-00, -02, -04 & -06 145



## **TABLE OF CONTENTS**

1.11.6 Figure 3-1 WINTERGUARD KITS - KR2/3 - (76-62269-00 & -01) .....	146
1.11.7 Figure 3-2 BRUSH GUARD, CONDENSER, KR2/3 AND CM-7/11 .....	147
1.11.8 FEED-THROUGH PLATE ASSEMBLIES - ROOFTOPS - (81-62138) .....	148
1.11.9 FEED-THROUGH PLATE ASSEMBLIES - ROOFTOPS - (81-62145) .....	149
1.11.10 FEED-THROUGH PLATE ASSEMBLIES - ROOFTOPS - (81-62156) .....	149



## INTRODUCTION

This parts list identifies service replacement parts for Mobile Climate Control Split System condenser components.

## ORDERING INSTRUCTIONS

All orders and inquiries for parts must include: Unit Serial Number, Part No., description of part as shown on list and quantity required. Parts can be ordered by going to the following website:

**[www.mcc-hvac.com](http://www.mcc-hvac.com)**

## GENERAL NOTES

1. This catalog contains those items most commonly required for replacement purposes. If parts other than those cataloged are required, please provide the model number and serial number of the unit on which the parts are to be used and a complete description including references to items which are cataloged.
2. The replacement parts listed in this catalog are “Factory-Authorized Parts” and, as a result of “standardization,” may not be identical to the original part furnished on the equipment.
3. The following letter designations are used to classify parts throughout this list:
  - A/R = As Required,
  - H/C = Heat/Cool,
  - N/A = Not Available
  - N/S = Not Shown On Illustration
  - NSS = Not Sold Separately,
  - REF = For Reference Only
  - NSI = Non-stock Item

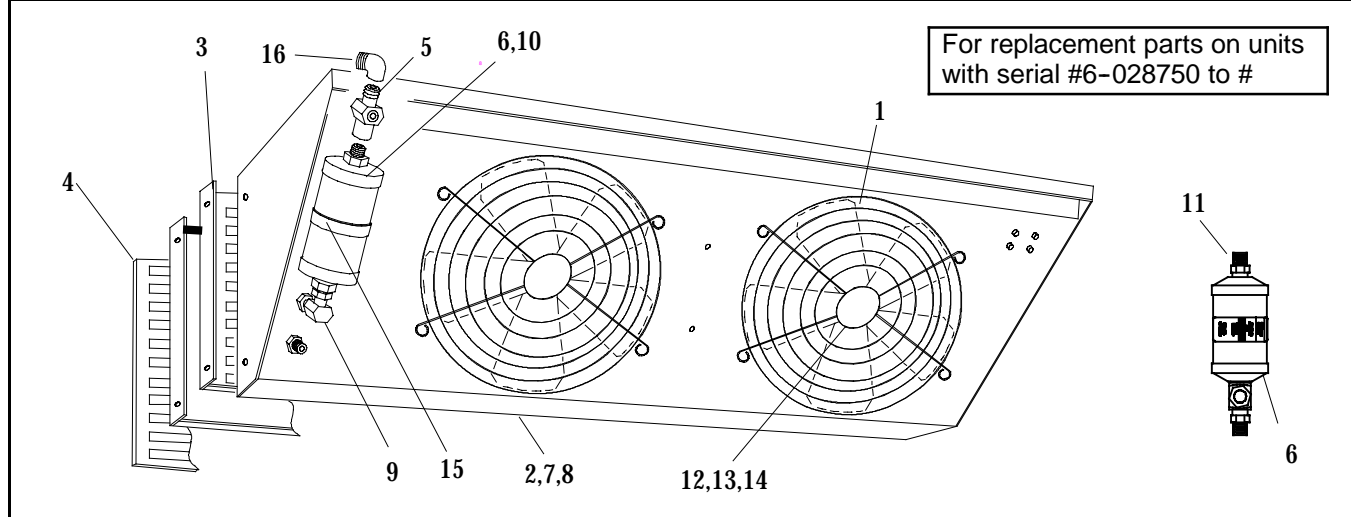




**SECTION 1 - CONDENSERS**

**SECTION 1.1 CM-2 CONDENSERS**

**1.1.1 CONDENSER, CM-2, GEN 4**



Item	Part Number	Description	Qty
1	AC030-234	Guard, Fan (Not used with 54-00618-01)	2
2	AC033-219	Coil Assembly, With Pressure Switches, (Before serial #6-050555)	1
	08-62035-00	Coil Assembly (Beginning serial #6-050555)	1
3	79-62014-20	Grill, Condenser Mounted (was AC033-134P)	1
4	79-62014-23	Grill, Bus Skirt Mounted (was 79-62014-22)	1
5	AC101-200	Sightglass	1
6	AC101-312	Filter Drier, 16 Cubic Inch, 1/2 Inch MFO (Before serial #6-050555)	1
	14-00288-00	Filter Drier/Sightglass Combination, (Beginning with serial #6-050555)	1
7	AC201-414	Switch, High Pressure	1
8	AC201-412	Switch, Low Pressure	1
9	AC301-441	Fitting, Swivel Union, 1/2 Inch Female Flare X 1/2 Inch Female Flare	1
	40-62036-00	Fitting, Swivel Union, 1/2 Inch Female O-Ring X 1/2 Inch Female O-Ring	1
10	AC801-220	O-Ring, 1/2 Inch MF-O, (Before serial #6-050555)	2
11	AC801-202	O-Ring, 1/2 Inch HNBR, (Beginning with serial #6-050555)	2
12	54-00618-01	Assembly, Fan, 12 VDC (was AC401-110) - Includes:	2
13	22-02336-25	.....Fuse, 20 Amp	1
14	54-00618-02	Assembly, Fan, 24 VDC (was CM205-197)	2
15	AC701-269	Clamp, Worm Gear, (Filter Drier)	1
16	-	Fitting, 90°, 1/2 Inch Male Flare X 1/2 Inch Female Flare	<b>NSI</b>

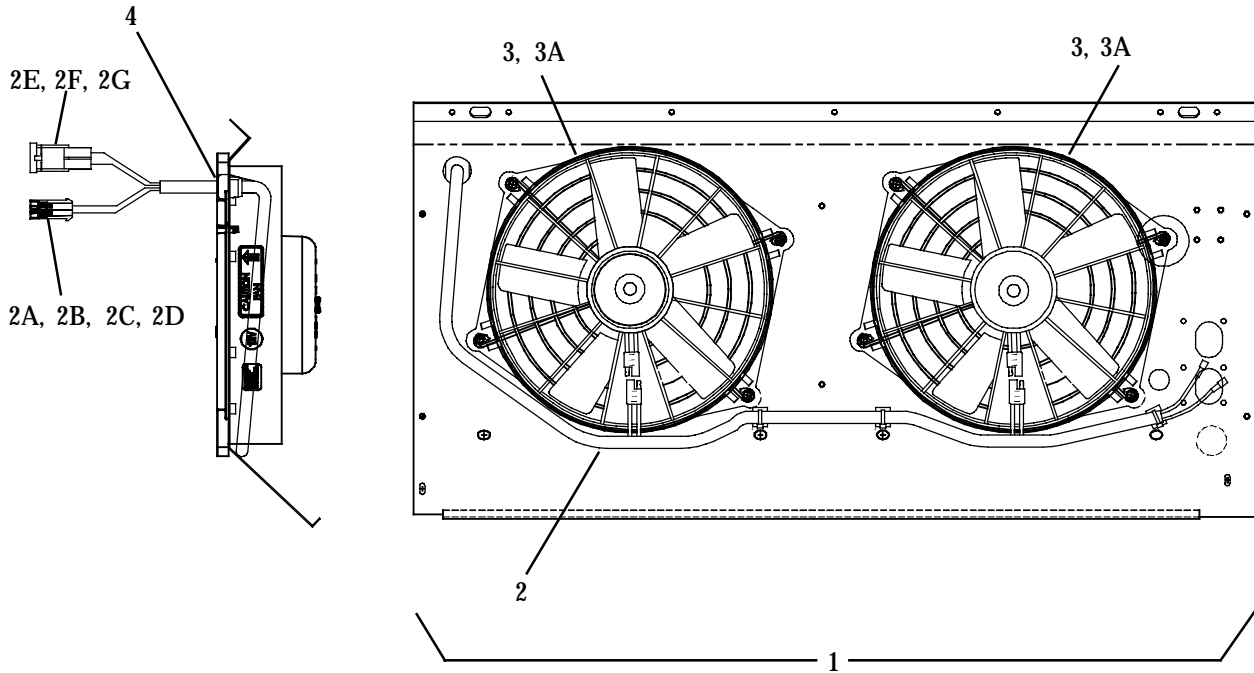


OPTION TABLE CM2 MCHX 77-01299 UNITS

<b>MODEL CM2 MCHX (Top Level) 77-01299-XX</b>	<b>Chassis Kit (See Section 1.1.4)</b>	<b>Venturi Panel (See Section 1.1.2)</b>	<b>Grill (See Section 1.1.8)</b>
-00	1	5	N/A
-11	1	5	1
-12	1	2	1
-16	1	1	N/A
-20	1	5	2
-21	1	3	3
-22	1	3	3
-30	1	5	2
-40	1	5	4
-60	1	4	1
-61	1	4	2
-62	1	4	4
-96	1	5	2



**1.1.2 CONDENSER, CM-2, MCHX, VENTURI ASSEMBLY: OPTION 1**

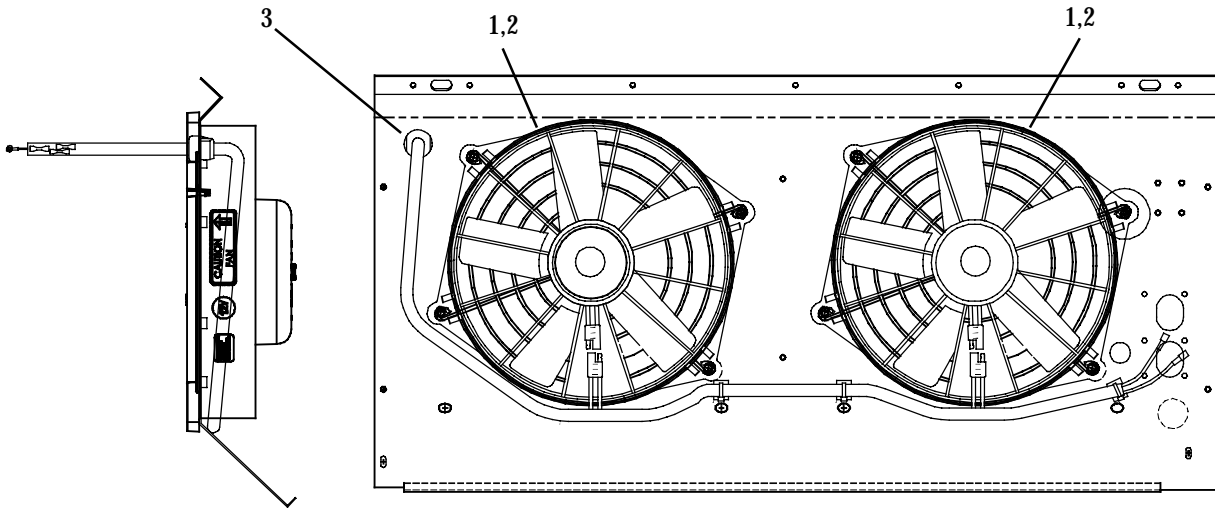


REFERENCE KIT 77-01286-00 A

Item	Part Number	Description	Qty
1	-	Venturi Assembly, CM-2 12VDC - Includes:	<b>NSI</b>
2	22-62206-00	...Harness, Connector, CM-2 - Includes:	<b>NSI</b>
2A	22-50078-72	.....Connector, Male (Packard # 12052647/12162000)	1
2B	22-50078-46A	.....Terminal, Male (Packard # 12045773)	2
2C	22-50078-50A	.....Seal, Cable (Packard # 15324973)	2
2D	22-50078-72A	.....Lock, Secondary (Packard # 12052634)	1
2E	22-50098-67	.....Connector, 2 Pin Black (Tyco # 1544334-1)	1
2F	22-50098-67B	.....Terminal, Male (Tyco # 1544333-1)	2
2G	22-50098-67D	.....Seal, Cable (Tyco # 1544316-2)	2
3	54-00618-01	...Fan & Motor Assembly, Vector, 12V W/Fuse (No Repl. Motor) Includes:	2
3A	22-02336-25	.....Fuse, 20 Amp	1
4	58-62019-00	...Bushing, Strain Relief	1



1.1.2 CONDENSER, CM-2, MCHX, VENTURI ASSEMBLY: OPTION 2

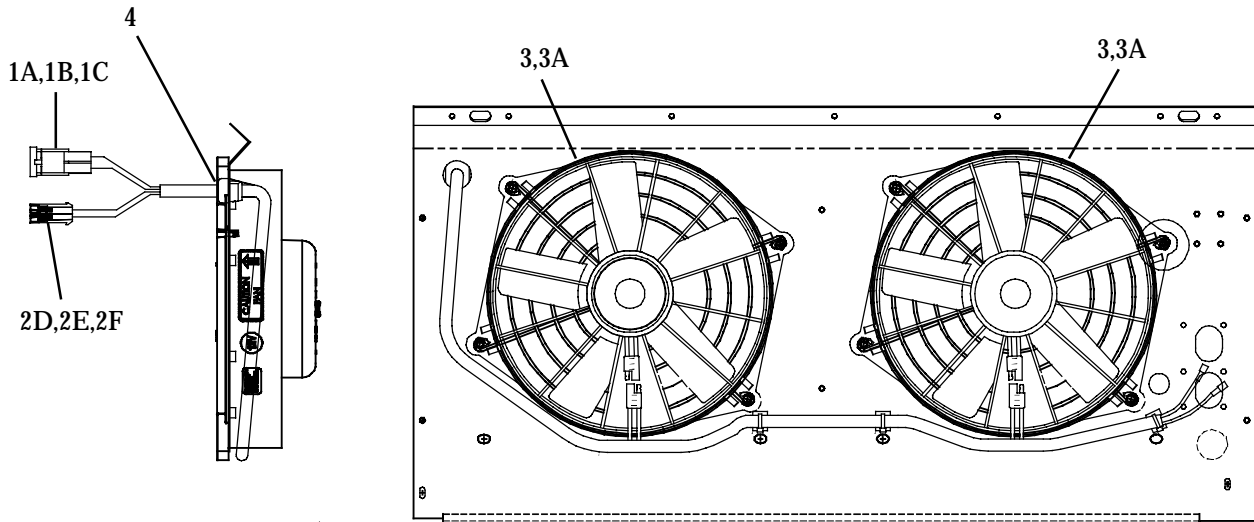


REFERENCE KIT 77-01286-01 A

Item	Part Number	Description	Qty
1	54-00618-01	...Fan & Motor Assembly, Vector, 12V, W/Fuse (No Repl. Motor) Includes:	2
2	22-02336-25	.....Fuse, 20 Amp	1
3	58-62019-00	...Bushing, Strain Relief	1



1.1.2 CONDENSER, CM-2, MCHX, VENTURI ASSEMBLY: OPTION 3

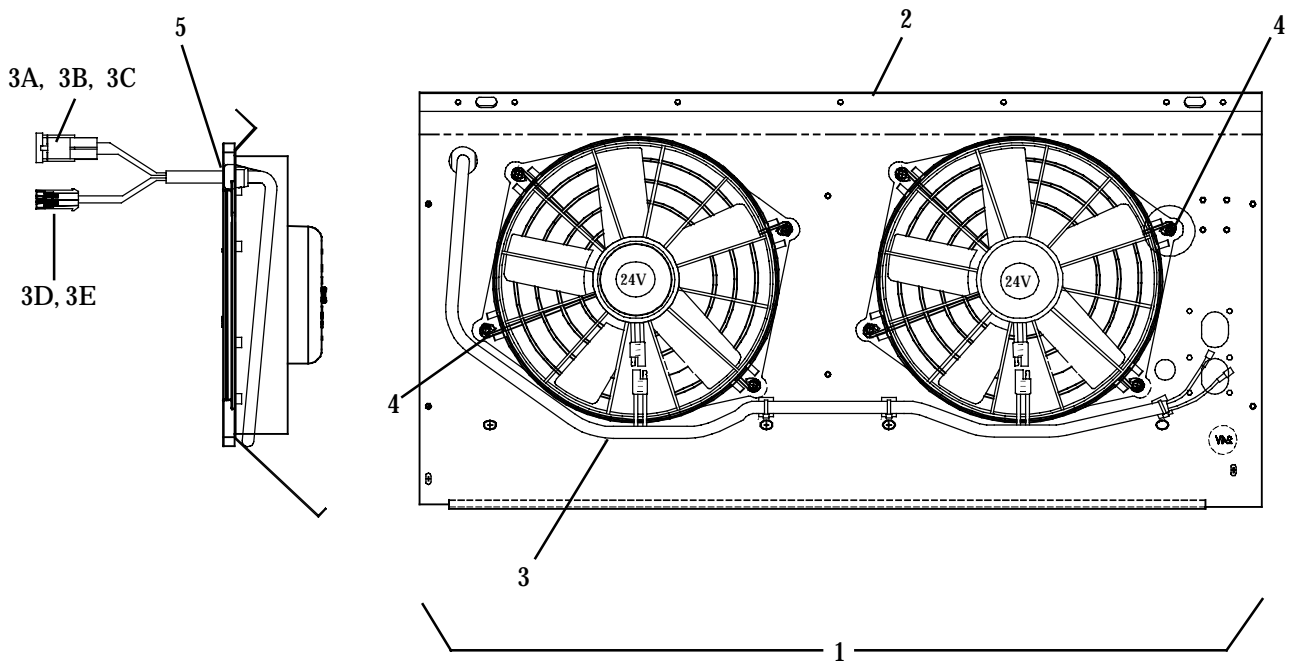


REFERENCE KIT 77-01286-03 D

Item	Part Number	Description	Qty
1A	22-02392-00	.....Connector, Female, 2 Pin Black (Packard # 12010973)	1
1B	22-02393-01	.....Terminal, Male, (18-20 AWG) (Packard #12089040)	2
1C	22-02394-00	.....Seal, Cable, Gray (Packard # 15324980)	2
2D	22-50078-40	.....Connector, 2 Pin, Female, Black (Packard # 12052613)	1
2E	22-50098-67B	.....Terminal, Female, (10 AWG) (Packard # 1544333-1)	2
2F	22-50098-67D	.....Seal, Cable, Orange (Packard # 1544316-2)	2
3	54-00618-01	...Fan & Motor Assembly, Vector, 12V W/Fuse (No Repl. Motor) Includes:	2
3A	22-02336-25	.....Fuse, 20 Amp	1
4	58-62019-00	...Bushing, Strain Relief	1



**1.1.2 CONDENSER, CM-2, MCHX, VENTURI ASSEMBLY (24V): OPTION 4**

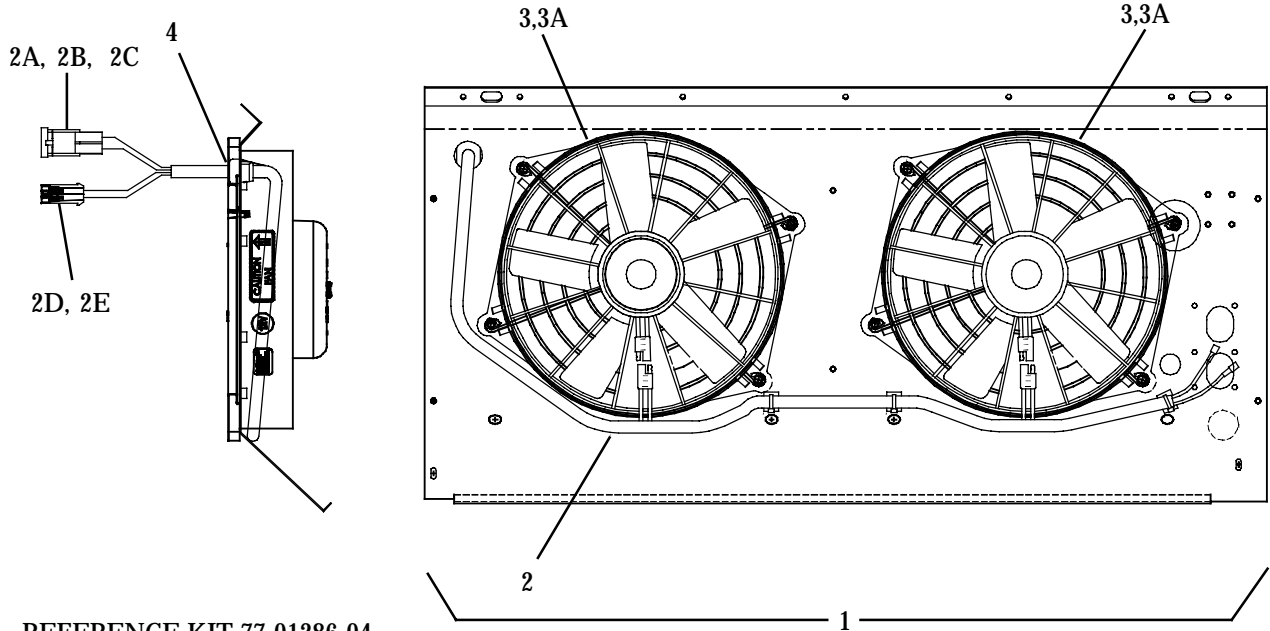


REFERENCE KIT 77-01286-60

Item	Part Number	Description	Qty
1	-	Venturi Assembly, CM-2 24VDC - Includes:	<b>NSI</b>
2	AC030-234	...Guard, Fan, Condenser	2
3	22-62273-00	...Harness, Condenser, CM-2 - Includes:	<b>NSI</b>
3A	22-02392-00	.....Connector, 2 Pin, Black (Packard # 12010973)	1
3B	22-02393-01	.....Terminal, Male, (18-20 AWG) (Packard # 15324980)	2
3C	22-02394-00	.....Seal, Cable, Gray (Packard # 15324980)	2
3D	22-02392-00	.....Connector, 2 Pin (was 22-509271-00)	1
3E	22-02393-01	.....Terminal, Male (8 AWG) (was 22-50272-00)	2
4	54-00618-02	...Fan & Motor Assembly, 24V (was 54-00545-00)	2
5	58-62019-00	...Bushing, Strain Relief	1



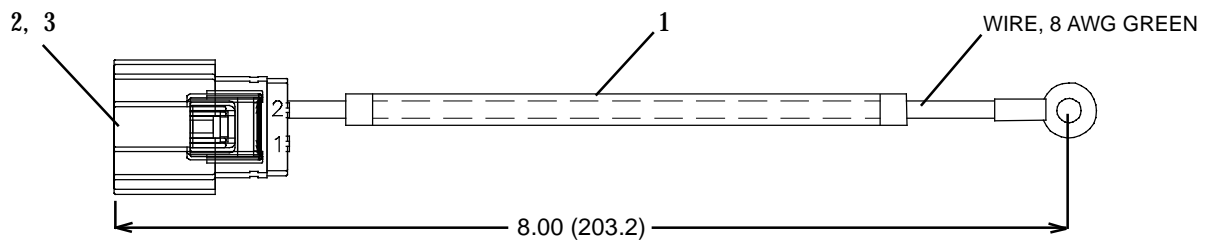
**1.1.2 CONDENSER, CM-2, MCHX, VENTURI ASSEMBLY (12V): OPTION 5**



REFERENCE KIT 77-01286-04

Item	Part Number	Description	Qty
1	-	Venturi Assembly, CM-2 12VDC - Includes:	<b>NSI</b>
2	22-62273-00	...Harness, Condenser, CM-2 - Includes:	<b>NSI</b>
2A	22-02392-00	.....Connector, Female, 2 Pin Black (Packard # 12010973)	1
2B	22-02393-01	.....Terminal, Male, (18-20 AWG) (Packard # 12089040)	2
2C	22-02394-00	.....Seal, Cable, Gray (Packard # 15324980)	2
2D	22-02392-00	.....Connector, 2 Pin (was 22-50371-00) (Packard # 12010973)	1
2E	22-02393-01	.....Terminal, Male, (10 AWG) (was 22-50372-00) (Packard # 12089040)	2
3	54-00618-01	...Fan & Motor Assembly, Vector, 12V, W/Fuse (No Repl. Motor) Includes:	2
3A	22-02336-25	.....Fuse, 20 Amp	1
4	58-62019-00	...Bushing, Strain Relief	1

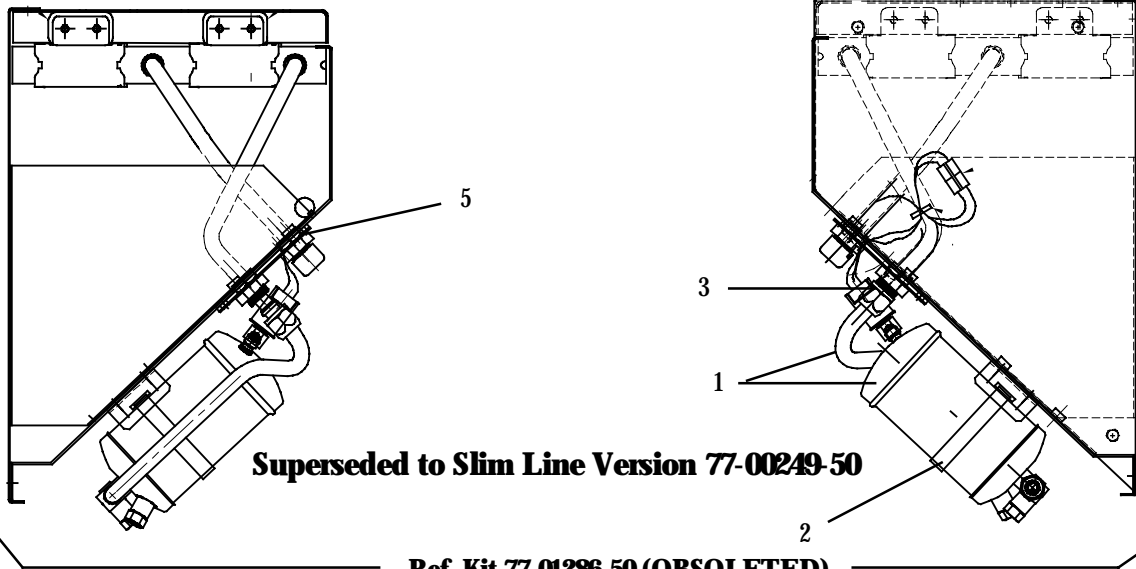
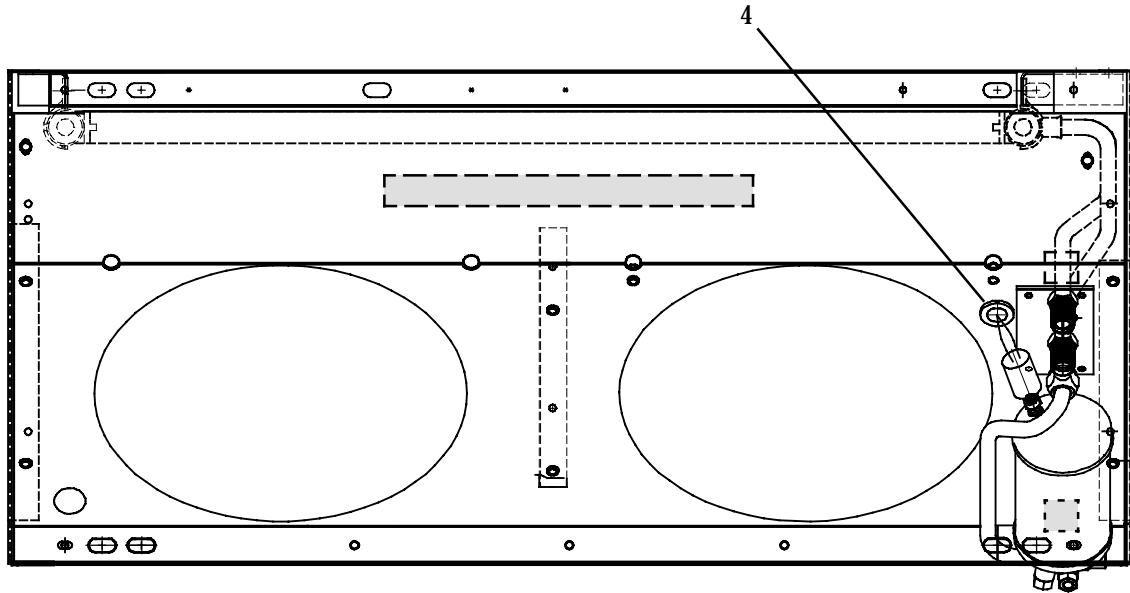
**1.1.3 CM-2, CONDENSER GROUND/POWER HARNESS**



Item	Part Number	Description	Qty
1	76-62308-00	Harness, Condenser - Includes: (was 22-62277-00)	<b>NSI</b>
2	22-50099-28	...Housing, Receptacle, 2 Pin, Black (Molex # 19432-0014)	1
3	22-50099-28A	...Terminal, Female (8 AWG) (Molex # 19434-0004)	1



1.1.4 CONDENSER COIL REPLACEMENT KIT, CM-2, MICRO-CHANNEL (MCHX) : OPTION 1



**Superseded to Slim Line Version 77-00249-50**

**Ref. Kit 77-01286-50 (OBSOLETE)**

Item	Part Number	Description	Qty
-	N/A	CM-2 Service Chassis Kit - Includes: <b>(Supersedes to 77-00249-50)</b>	1
1	65-00193-00	...Receiver, With Filter Drier	1
2	44-00045-19	...Clamp, Hose, Worm Type, Range: 2.56-3.50 Inches	1
3	AC201-414	...Switch, High Pressure, 400 - 300	1
4	58-04764-00	...Grommet, .25 ID x .84 Groove	1
5	34-06088-07	...Nut, Hex, Jam, 3/4-16	2



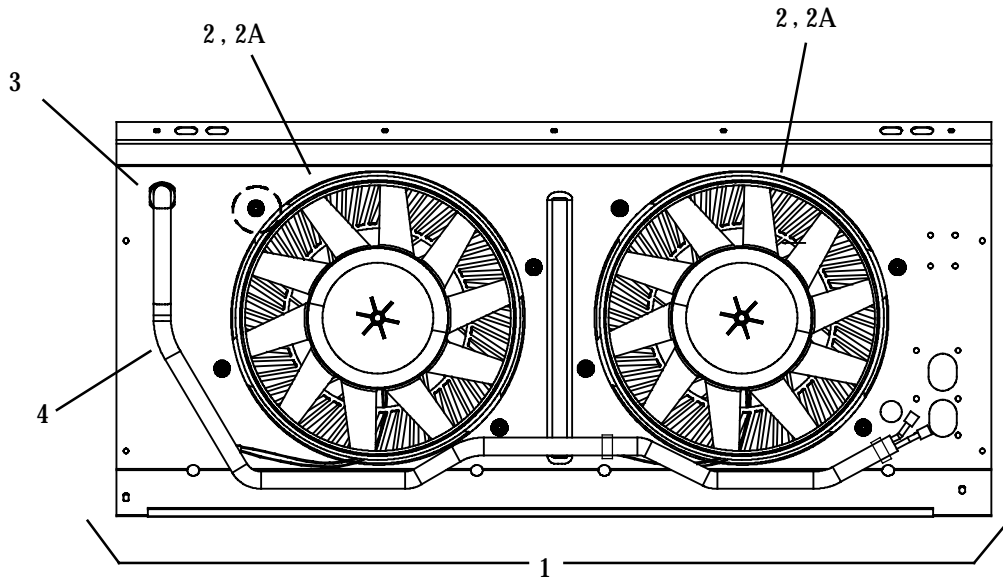


OPTION TABLE CM2 MCHX 77-00273 UNITS

<b>MODEL CM2 MCHX (Top Level) 77-00273-XX</b>	<b>Venturi Panel Common Parts (See Section 1.1.5)</b>	<b>Elec. Harness (See Section 1.1.6)</b>	<b>Grill (See Section 1.1.8)</b>	<b>Chassis Kit (See Section 1.1.7)</b>	<b>Notes</b>
-00	1	1	-	1	12 VDC
-11	1	1	1	1	12 VDC
-12	1	1	1	1	12 VDC
-16	1	3	-	1	12 VDC
-20	1	1	2	1	12 VDC
-21	1	2	-	1	12 VDC
-22	1	2	-	1	12 VDC
-23	1	2	1	1	12 VDC
-30	1	1	2	1	12 VDC
-35	1	1	2	1	12 VDC
-40	1	1	4	1	12 VDC
-60	2	1	1	1	<b>Inactive</b>
-61	2	1	2	1	<b>Inactive</b>
-62	2	1	4	1	<b>Inactive</b>
-63	3	4	1	1	24 VDC
-64	3	4	2	1	24 VDC
-65	3	4	4	1	24 VDC
-66	3	5	1	1	24 VDC
-67	3	5	2	1	24 VDC
-68	3	5	4	1	24 VDC
-69	3	4	-	1	24 VDC
-70	3	5	-	1	24 VDC



1.1.5 CONDENSER, CM-2 SLIM LINE MCHX, (12VDC) COMMON PARTS: OPTION 1



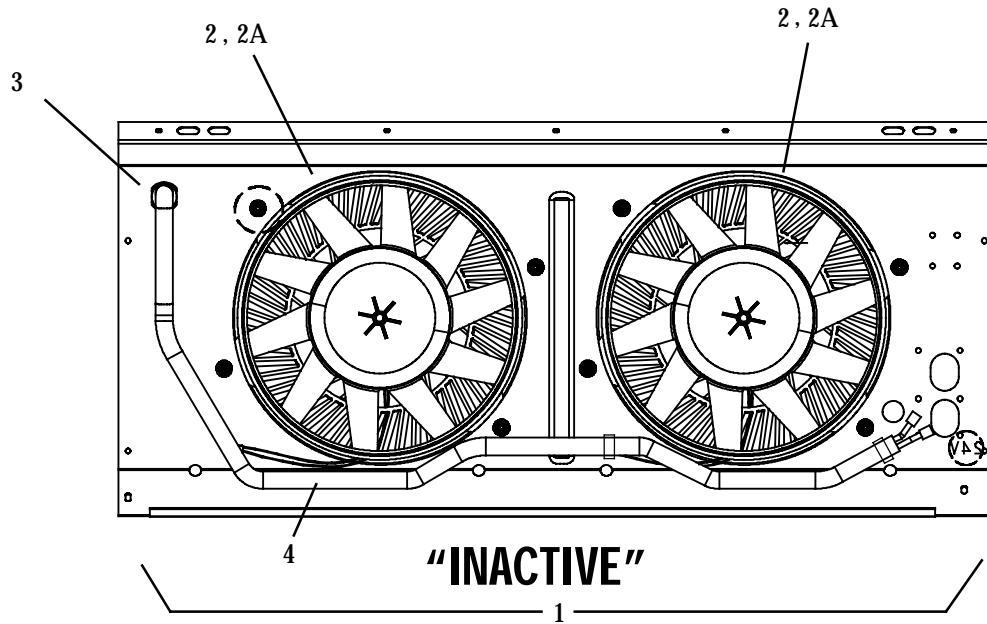
USED ON 12V UNITS 77-00273-00, -11, -16, -20, -21, -22, -23, -30, -35 & -40

REFERENCE CHASSIS KITS 77-00249-00, 01, 02 & -03

Item	Part Number	Description	Qty
1	-	Venturi Assembly, CM-2 12VDC - Includes:	<b>NSI</b>
2	54-00618-01	...Fan & Motor Assembly, Vector, 12V, W/Fuse (No Repl. Motor) Includes:	2
2A	22-02336-25	.....Fuse, 20 Amp	1
3	58-62019-00	...Bushing, Strain Relief	1
4	22-62273-XX	Refer to Matrix and Section 1.1.6 for proper harness	1



1.1.5 CONDENSER, CM-2 SLIM LINE MCHX, (24VDC) COMMON PARTS: OPTION 2



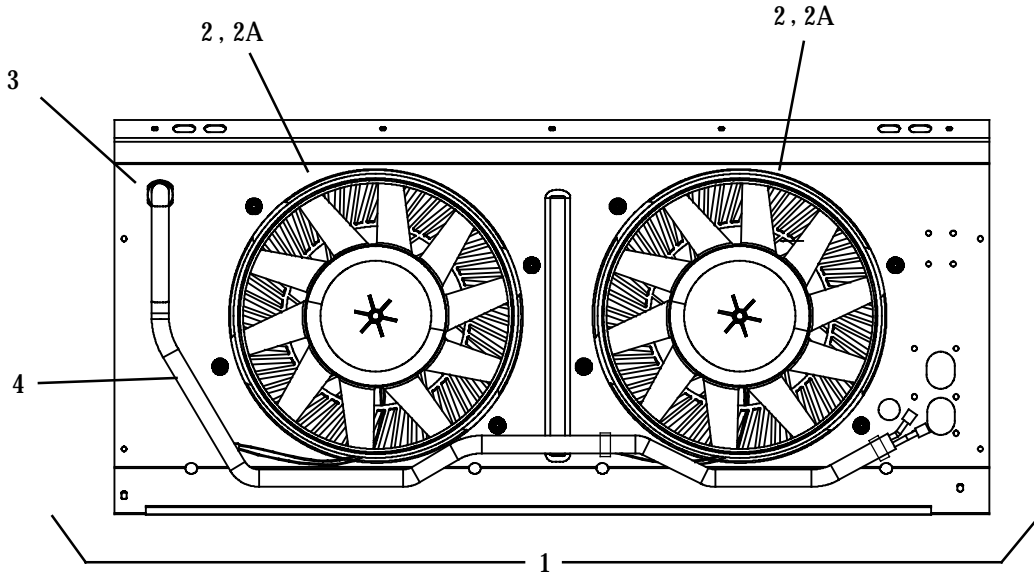
USED ON UNITS 77-00273-60, -61 & -62

REFERENCE CHASSIS KITS 77-00249-60

Item	Part Number	Description	Qty
1	-	Venturi Assembly, CM-2- 24VDC - Includes:	<b>NSI</b>
2	54-00618-02	...Fan & Motor Assembly, Vector, 24V, W/Fuse (No Repl. Motor) Includes:	2
2A	22-02336-26	.....Fuse, 25 Amp	1
3	58-62019-00	...Bushing, Strain Relief	1
4	22-62273-XX	Refer to Matrix and Section 1.1.6 for proper harness	1



1.1.5 CONDENSER, CM-2 SLIM LINE MCHX, (24VDC) COMMON PARTS: OPTION 3



USED ON UNITS 77-00273-63, -64, -65, -66, -67, -68, -69 & -70

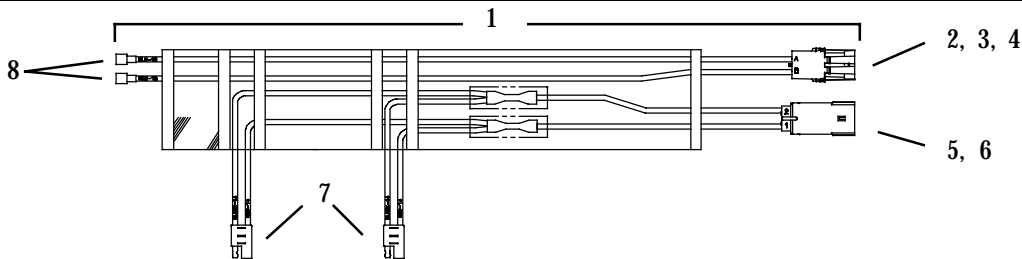
REFERENCE CHASSIS KITS 77-00249-62, -63, -64 & -65

Item	Part Number	Description	Qty
1	-	Venturi Assembly, CM-2- 24VDC - Includes:	<b>NSI</b>
2	54-00618-05	...Fan & Motor Assembly, 11" Vector, 24V, W/Fuse (No Repl. Motor) Includes:	2
2A	22-02336-24	.....Fuse, 15 Amp (Littlefuse # 297015)	1
3	58-62019-00	...Bushing, Strain Relief	1
4	22-62273-XX	Refer to Matrix and Section 1.1.6 for proper harness	1



**NOTE: Complete Wire Harnesses are Non-Stock Items. Replacement Components are Listed and can be cross referenced to supplier part number in manual T-375PL.**

**1.1.6 CM-2, CONDENSER HARNESS 22-62273-00: OPTION 1**



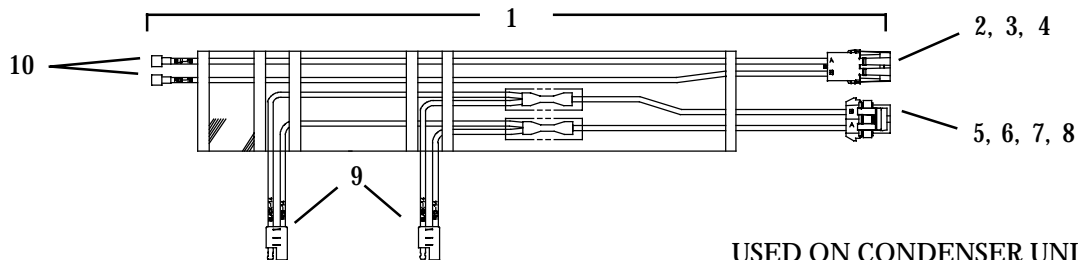
REFERENCE 22-62273-00

USED ON CONDENSER UNITS

77-00273-00, -11, -12, -20, -30, -35, -40, -60, -61 & -62

Item	Part Number	Description	Qty
1	-	Harness, Condenser - Includes:	<b>NSI</b>
2	22-02392-00	...Connector, Male 2 Pin (Packard # 12010973)	1
3	22-02393-01	...Terminal, Male (18 AWG) (Packard 12089040)	2
4	22-02394-00	...Cable Seal (18 AWG) (Packard # 15324980)	2
5	22-50099-27	...Housing, Plug, 2 Pin (Molex #19433-0014)	1
6	22-50099-27A	...Terminal, Male (8 AWG) (Molex # 19431-0017)	2
7	NSI	...Condenser Motor Harness	2
8	22-01502-00	...Terminal, Male, Insulated Push On (18 AWG) (Amp # 2-520102-2)	2

**1.1.6 CM-2, CONDENSER HARNESS 22-62260-00: OPTION 2**



REFERENCE 22-62260-00

USED ON CONDENSER UNITS

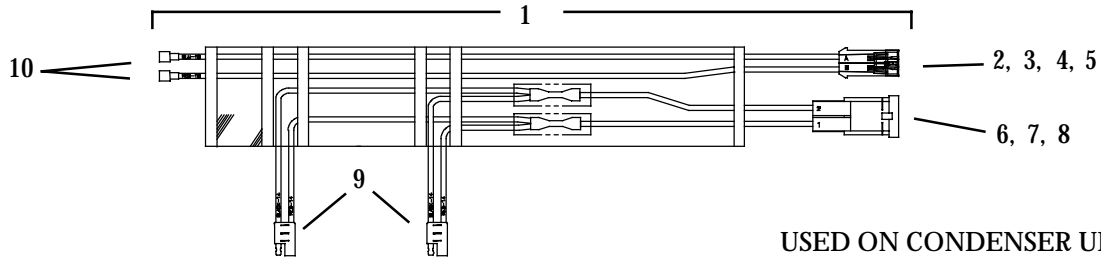
77-00273-21, -22 & -23

Item	Part Number	Description	Qty
1	-	Harness, Condenser - Includes:	<b>NSI</b>
2	22-02392-00	...Connector, Male, 2 Pin (Packard # 12010973)	1
3	22-02393-01	...Terminal, Male (18 AWG) (Packard 12089040)	2
4	22-02394-00	...Cable Seal (18 AWG) (Packard # 15324980)	2
5	22-50078-40	...Connector, Female, 2 Pin (Packard # 12052613)	1
6	22-50078-48G	...Terminal, Female (10 AWG) (Packard # 12052139)	2
7	22-50078-52E	...Cable Seal (10 AWG) (Packard # 15324987)	2
8	22-50078-39A	...Lock, Secondary (Packard # 12059897)	2
9	NSI	...Condenser Motor Harness	2
10	22-01502-00	...Terminal, Male, Insulated Push On (18 AWG) (Amp # 2-520102-2)	2



**NOTE: Complete Wire Harnesses are Non-Stock Items. Replacement Components are Listed and can be cross referenced to supplier part number in manual T-375PL.**

**1.1.6 CM-2, CONDENSER HARNESS 22-62206-00: OPTION 3**

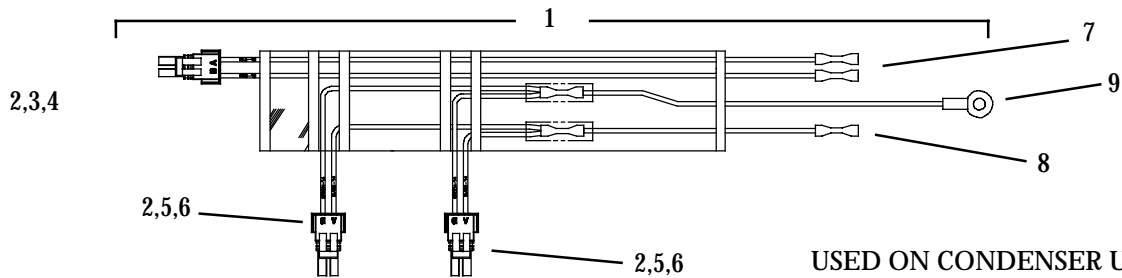


REFERENCE 22-62206-00

USED ON CONDENSER UNIT  
77-00273-16

Item	Part Number	Description	Qty
1	-	Harness, Condenser - Includes:	<b>NSI</b>
2	22-50078-72	...Connector, Male, 2 Pin (Packard # 12052647/12162000)	1
3	22-50078-46A	...Terminal, Male (18 AWG) (Packard # 12045773)	2
4	22-50078-50A	...Cable Seal (18 AWG) (Packard # 15324973)	2
5	22-50078-72A	...Lock, Secondary (Packard # 12052634)	2
6	22-50098-67	...Connector, Male, 2 Pin ( Tyco # 1544334-1)	1
7	22-50098-67B	...Terminal, Female (8 AWG) (Tyco # 1544333-1)	2
8	22-50098-67D	...Cable Seal (8 AWG) (Tyco # 1544316-2)	2
9	NSI	...Condenser Motor Harness	2
10	22-01502-00	...Terminal, Male, Insulated Push On (18 AWG) (Amp # 2-520102-2)	2

**1.1.6 CM-2, CONDENSER HARNESS Y25-00080-00: OPTION 4**



REFERENCE Y25-00080-00

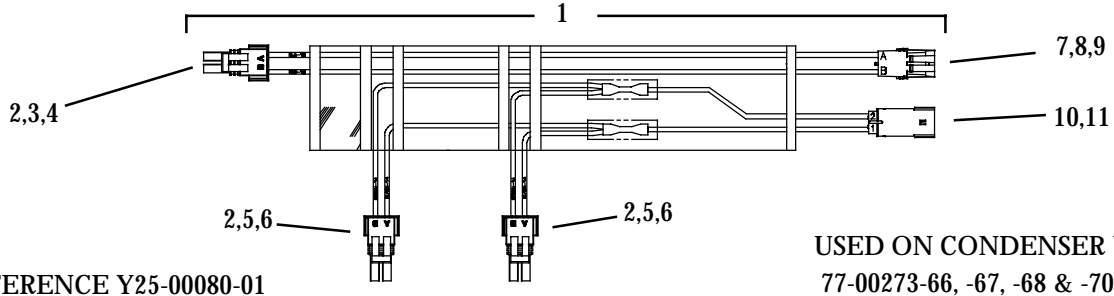
USED ON CONDENSER UNIT  
77-00273-63, -64, -65 & -69

Item	Part Number	Description	Qty
1	-	Harness, Condenser - Includes:	<b>NSI</b>
2	22-01585-00	...Connector, Female, 2 Pin (Packard/Delphi # 12015792)	3
3	22-01566-01	...Terminal, Female, 18 AWG (Packard # 12089188)	2
4	22-02394-02	...Cable Seal, 18 AWG (Packard # 15324982)	2
5	22-01566-00	...Terminal, Female, 14-16 AWG (Packard/Delphi # 12124580)	4
6	22-02394-00	...Cable Seal, 14-16 AWG (Packard # 15324980)	4
7	Y31-00032-00	...Butt Splice, 18 AWG (Molex # 191640013)	2
8	Y31-00032-03	...Butt Splice, 8 AWG (Molex # 191640079)	1
9	-	...Terminal, Ring, ¼", 8 AWG (Molex # 19164-0081)	1



**NOTE: Complete Wire Harnesses are Non-Stock Items. Replacement Components are Listed and can be cross referenced to supplier part number in manual T-375PL.**

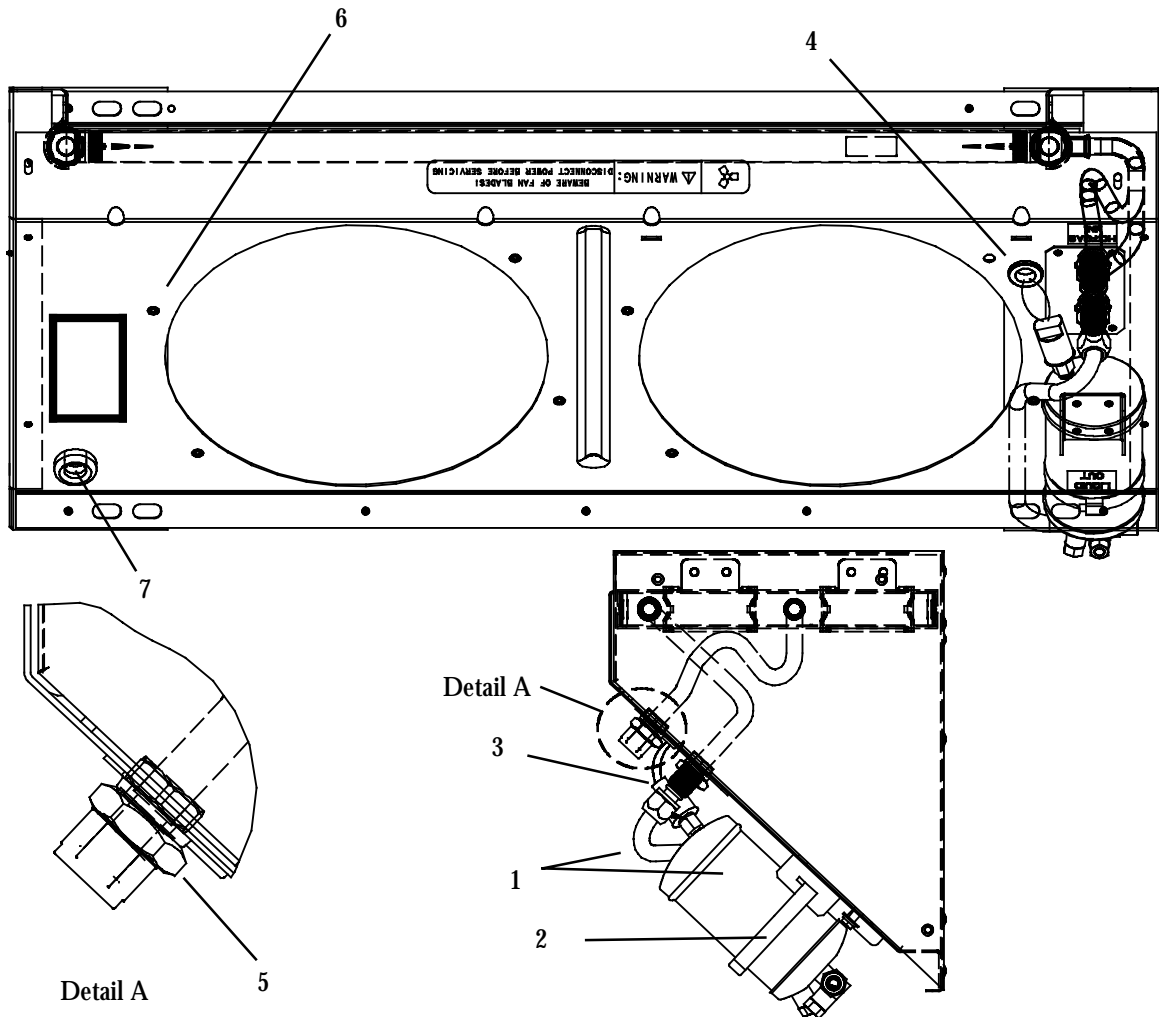
**1.1.6 CM-2, CONDENSER HARNESS Y25-00080-01: OPTION 5**



Item	Part Number	Description	Qty
1	-	Harness, Condenser - Includes:	<b>NSI</b>
2	22-01585-00	...Connector, Female, 2 Pin (Packard/Delphi # 12015792)	3
3	22-01566-01	...Terminal, Female, 18 AWG (Packard # 12089188)	2
4	22-02394-02	...Cable Seal, 18 AWG (Packard # 15324982)	2
5	22-01566-00	...Terminal, Female, 14-16 AWG (Packard/Delphi # 12124580)	4
6	22-02394-00	...Cable Seal, 14-16 AWG (Packard # 15324980)	4
7	22-02392-00	...Connector, Male, WP, 2 Pin (Packard # 12010973)	1
8	22-02393-01	...Terminal, Male, 18 AWG (Packard # 12089040)	2
9	22-02394-00	...Cable Seal, 18 AWG (Packard # 15324980)	2
10	22-50099-27	...Connector, Male, Molex, 2 Pin (Molex # 19433-0014)	1
11	22-50099-27A	...Terminal, Male, 8 AWG (Molex # 19431-0017)	2



1.1.7 CONDENSER COIL REPLACEMENT KIT, CM-2 , SLIM LINE MICRO-CHANNEL (MCHX) : OPTION 1

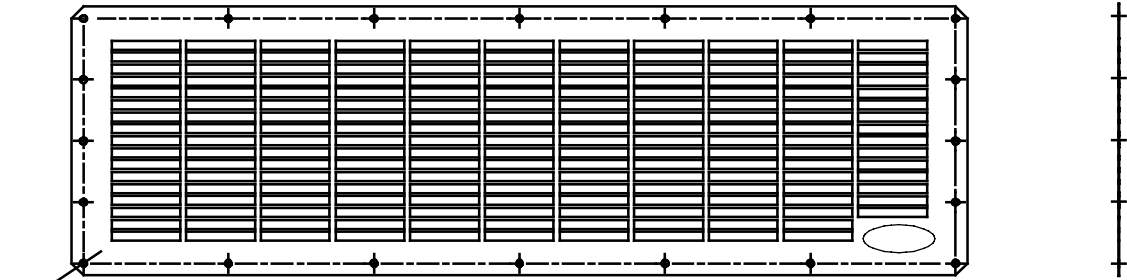


Item	Part Number	Description	Qty
-	77-00249-50	CM-2 Service Chassis Kit - Includes:	1
1	65-00193-00	... Receiver, With Filter Drier	1
2	44-00045-19	... Clamp, Hose, Worm Type, Range: 2.56-3.50 Inches	1
3	AC201-414	... Switch, High Pressure, 400 - 300	1
4	58-04764-00	... Grommet, .25 ID x .84 Groove	1
5	34-06088-07	... Nut, Hex, Jam, 3/4-16	2
6	N/A	... 1/4-20 X 1" <b>(Provided In Bag)</b>	-
7	58-62019-00	... Bushing, Strain Relief <b>(Provided In Bag)</b>	1





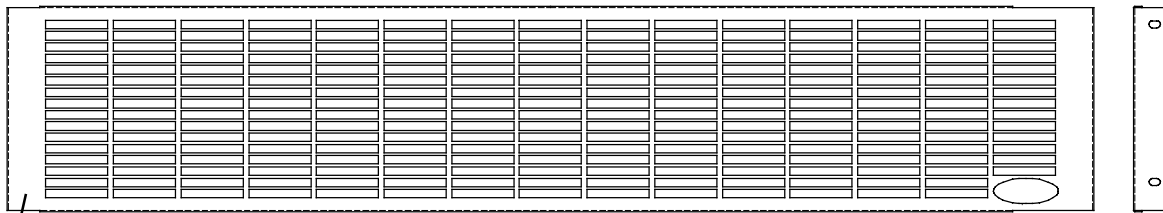
**1.1.8 CONDENSER, CM-2, MCHX, GRILL ASSEMBLY: OPTION 1**



Ref. Kit 77-01299-11 & -60  
 Ref. Kit 77-00273-11, -12, -60 & -63

Item	Part Number	Description	Qty
1	79-62014-23	Grill, Skirt Mounted, 37.50 x 11.25 Inches (Black Smooth) (Was 68-08122-01)	1
	-	Grill, Skirt Mounted, 37.50 x 11.25 Inches (White Textured) <b>(OBSOLETE)</b>	1

**1.1.8 CONDENSER, CM-2, MCHX, GRILL ASSEMBLY: OPTION 2**

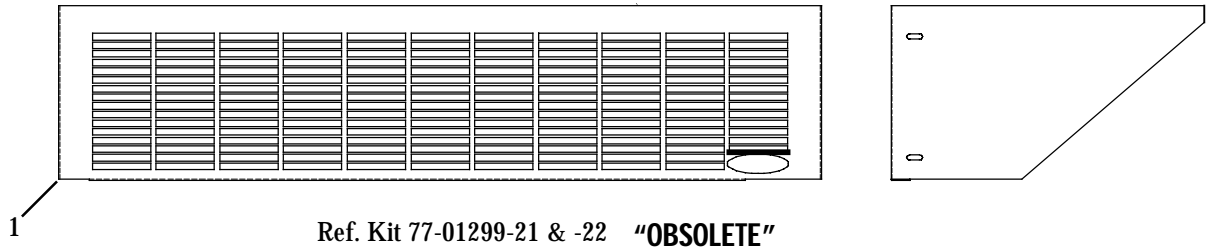


Ref. Kit 77-01299-20, -30 & -61  
 Ref. Kit 77-00273-20, -30, -35, -61, -64 & -67

Item	Part Number	Description	Qty
1	79-62014-20	Grill Assembly, Condenser (Was 68-08124-00)	1



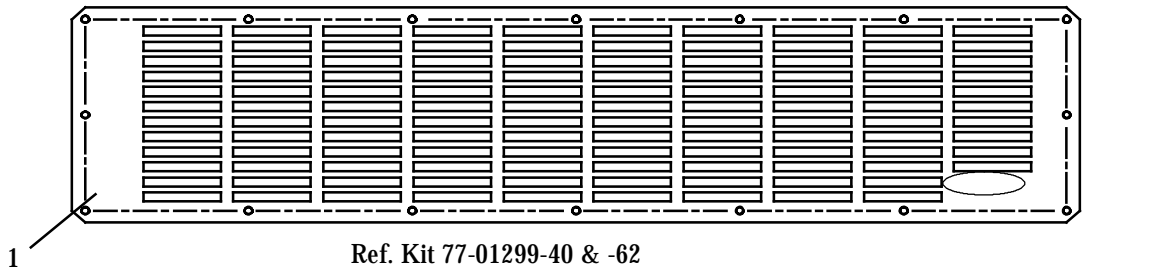
**1.1.8 CONDENSER, CM-2, MCHX, GRILL ASSEMBLY: OPTION 3**



Ref. Kit 77-01299-21 & -22 "OBSOLETE"

Item	Part Number	Description	Qty
1	-	...Wrapper, Condenser, White (was 68-62494-00) (OBSOLETE)	1

**1.1.8 CONDENSER, CM-2, MCHX, GRILL ASSEMBLY: OPTION 4**



Ref. Kit 77-01299-40 & -62  
Ref. Kit 77-00273-40, -62, -65 & -68

Item	Part Number	Description	Qty
1	79-62014-24	...Grille, Condenser, Painted (was AC033-150)	1



OPTION TABLE CM2 SEVERE DUTY, 12V, Y19-CM201 UNITS

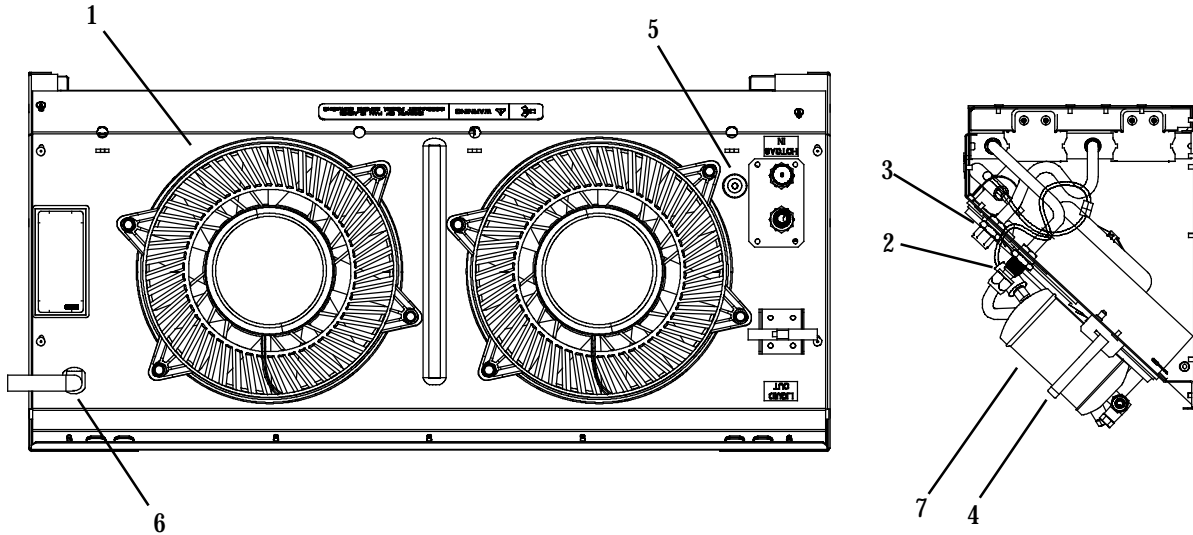
<b>MODEL CM2 MCHX (Top Level) Y19-CM201-XX</b>	<b>Chassis Kit (See Section 1.1.9)</b>	<b>Elec. Harness (See Section 1.1.10)</b>	<b>Grill Options (See Section 1.1.11)</b>
-00	1	1	-
-11	1	1	1
-12	1	1	1
-16	1	2	-
-20	1	1	2
-35	1	1	2
-40	1	1	3

OPTION TABLE CM2 SEVERE DUTY, 24V, Y19-CM202 UNITS

<b>MODEL CM2 MCHX (Top Level) Y19-CM202-XX</b>	<b>Chassis Kit (See Section 1.1.9)</b>	<b>Elec. Harness (See Section 1.1.10)</b>	<b>Grill Options (See Section 1.1.11)</b>
-00	1	1	-
-11	1	1	1
-20	1	1	2
-40	1	1	3



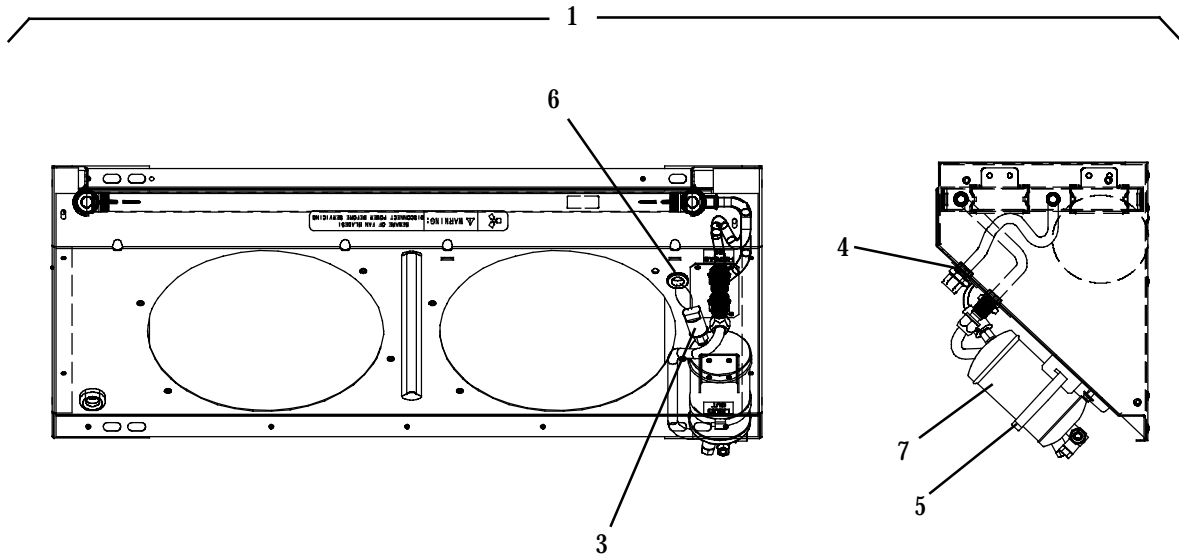
**1.1.9 CONDENSER, CM-2 SEVERE DUTY MCHX, CHASSIS KIT (12V & 24v) COMMON PARTS**



Item	Part Number	Description	Qty
1	54-00618-03	Fan & Motor Assembly, 11" Vector, 12VDC W/Fuse: Includes:	2
	22-02336-25	. . . Fuse, 20A (Littlefuse # 297020)	1
	54-00618-05	Fan & Motor Assembly, 11" Vector, 24VDC W/Fuse: Includes:	2
	22-02336-24	. . . Fuse, 15A (Littlefuse # 297015)	1
2	Y25-00232-14	Switch, Pressure (Opens 390-410 psig - Close 290-310 psig)	1
3	34-06088-07	Nut, #8 ORS	2
4	44-00045-19	Clamp, Hose	1
5	58-04764-00	Grommet, Boot Type	1
6	58-62019-00	Bushing, Strain Relief	1
7	65-00193-00	Receiver/Filter Drier	1
N/S	40-64075-52	Fitting, 90°, #8 F.O.R. X #8 Hose Flexklik (Used on Y19-CM201-12)	1
N/S	40-64075-53	Fitting 90°, #8 F.O.R. X #10 Hose Flexklik (Used on Y19-CM201-12)	1



**1.1.9 CONDENSER, CM-2 SEVERE DUTY MCHX, SERVICE REPLACEMENT CHASSIS (12V & 24V) : ALL**

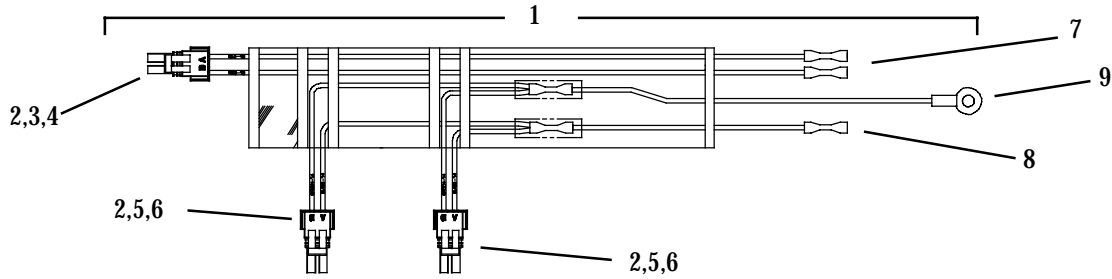


Item	Part Number	Description	Qty
1	Y74-CM201-50	Replacement Chassis Kit: Includes	1
2	NSS	... Coil, Condenser, MCHX (E-Coating)	1
3	Y25-00232-14	... Switch, Pressure (Opens 390-410 psig - Close 290-310 psig)	1
4	34-06088-07	... Nut, #8 ORS	2
5	44-00045-19	... Clamp, Hose	1
6	58-04764-00	... Grommet, Boot Type	1
7	65-00193-00	... Receiver/Filter Drier	1



**NOTE: Complete Wire Harnesses are Non-Stock Items. Replacement Components are Listed and can be cross referenced to supplier part number in manual T-375PL.**

**1.1.10 CONDENSER, CM-2 SEVERE DUTY MCHX, ELECTRICAL HARNESS : OPTION 1**



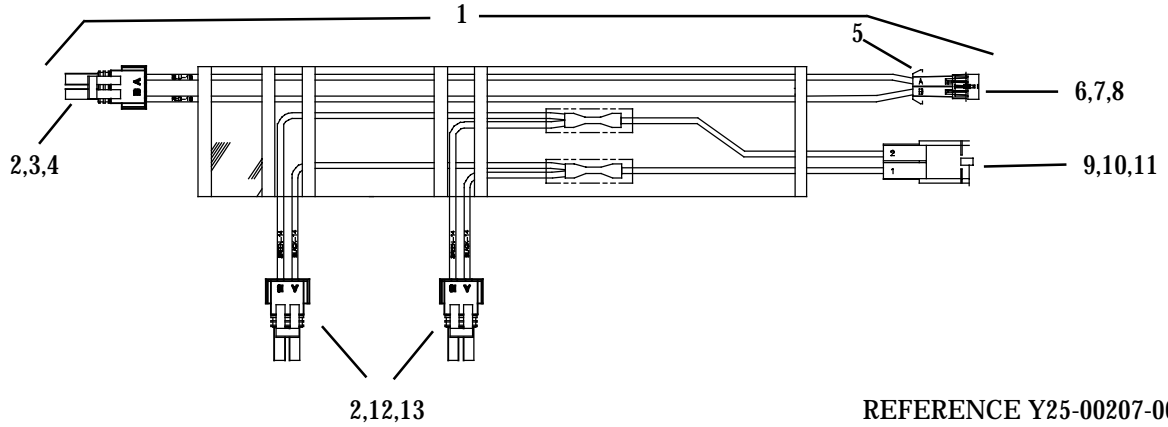
REFERENCE Y25-00080-00

Item	Part Number	Description	Qty
1	-	Harness, Condenser - Includes:	<b>NSI</b>
2	22-01585-00	...Connector, Female, 2 Pin (Packard/Delphi # 12015792)	3
3	22-01566-01	...Terminal, Female, 18 AWG (Packard # 12089188)	2
4	22-02394-02	...Cable Seal, 18 AWG (Packard # 15324982)	2
5	22-01566-00	...Terminal, Female, 14-16 AWG (Packard/Delphi # 12124580)	4
6	22-02394-00	...Cable Seal, 14-16 AWG (Packard # 15324980)	4
7	Y31-00032-00	...Butt Splice, 18 AWG (Molex # 191640013)	2
8	Y31-00032-03	...Butt Splice, 8 AWG (Molex # 191640079)	1
9	-	...Terminal, Ring, ¼", 8 AWG (Molex # 19164-0081)	1



**NOTE: Complete Wire Harnesses are Non-Stock Items. Replacement Components are Listed and can be cross referenced to supplier part number in manual T-375PL.**

**1.1.10 CONDENSER, CM-2 SEVERE DUTY MCHX, ELECTRICAL HARNESS : OPTION 2**

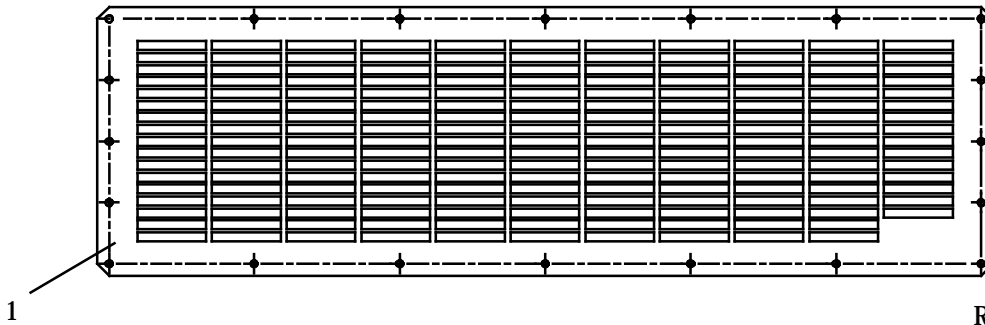


REFERENCE Y25-00207-00

Item	Part Number	Description	Qty
1	-	Harness, Condenser Includes:	<b>NSI</b>
2	22-01585-00	... Connector, Female 2 Pin (Packard/Delphi P/N 12015792)	1
3	22-01566-01	... Terminal, Female (18-20 AWG) (Packard P/n 12089188)	2
4	22-02394-02	... Cable Seal, Green (Packard P/N 15324982)	2
5	22-50078-72A	... Secondary Lock TPA (Packard P/N 12052634)	1
6	22-50078-72	... Connector, Male ( Packard P/N 12162000)	1
7	22-50078-46A	... Terminal, Male (18-20 AWG) (Packard P/N 12045773)	2
8	31-1314	... Cable Seal 18 AWG (Packard/Delphi P/N 12048086)	2
9	22-50098-67	... Housing (Tyco P/N 1544334-1)	1
10	22-50098-67B	... Terminal, Male (7-9 AWG) (Tyco P/N 1544333-1)	2
11	22-50098-67D	... Cable Seal, (7-9 AWG) Orange (Tyco P/N 1544316-2)	2
12	22-01566-00	... Terminal, Female 14-16 AWG (Packard P/N 12124580)	4
13	22-02394-00	... Cable Seal, (Packard P/N 15324980)	4



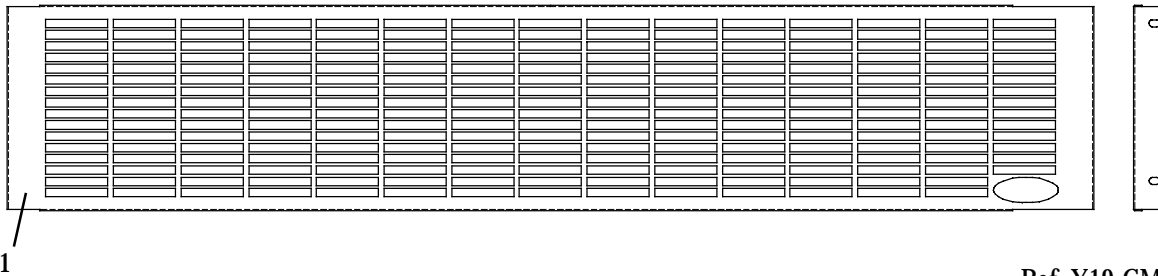
**1.1.11 CONDENSER, CM-2 SEVERE DUTY MCHX, GRILL: OPTION 1**



Ref. Y19-CM201-11

Item	Part Number	Description	Qty
1	79-62014-23	Grill, Skirt Mounted, 37.50 x 11.25 Inches (Black Smooth) (Was 68-08122-01)	1

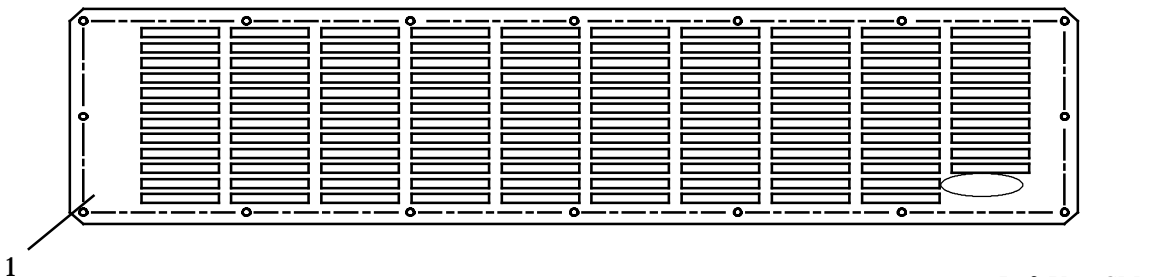
**1.1.11 CONDENSER, CM-2 SEVERE DUTY MCHX, GRILL: OPTION 2**



Ref. Y19-CM201-35

Item	Part Number	Description	Qty
1	79-62014-20	Grill Assembly, Condenser (Was 68-08124-00)	1

**1.1.11 CONDENSER, CM-2 SEVERE DUTY MCHX, GRILL: OPTION 3**



Ref. Y19-CM201-40

Item	Part Number	Description	Qty
1	79-62014-24	Grille, Condenser, Painted (Was 033-150)	1





**OPTION TABLE CM2L MCHX Y19-CM2L1 UNITS**

<b>MODEL CM2 MCHX (Top Level) Y19-CM2L1-XX</b>	<b>Chassis Kits (See Section 1.1.12 &amp; 1.1.15)</b>	<b>Elec. Harness (See Section 1.1.13)</b>	<b>Grill Options (See Section 1.1.14)</b>
-00	1&3	1	-
-11	1&3	1	2
-20	1&3	1	1
-40	1&3	1	3

**OPTION TABLE CM2L MCHX Y19-CM2L3 UNITS**

<b>MODEL CM2 MCHX (Top Level) Y19-CM2L3-XX</b>	<b>Chassis Kits (See Section 1.1.12 &amp; 1.1.15)</b>	<b>Elec. Harness (See Section 1.1.13)</b>	<b>Grill Options (See Section 1.1.14)</b>
-00	2&4	2	-
-11	2&4	2	2
-20	2&4	2	1
-40	2&4	2	3

**OPTION TABLE CM2L MCHX Y19-CM2L2 UNITS**

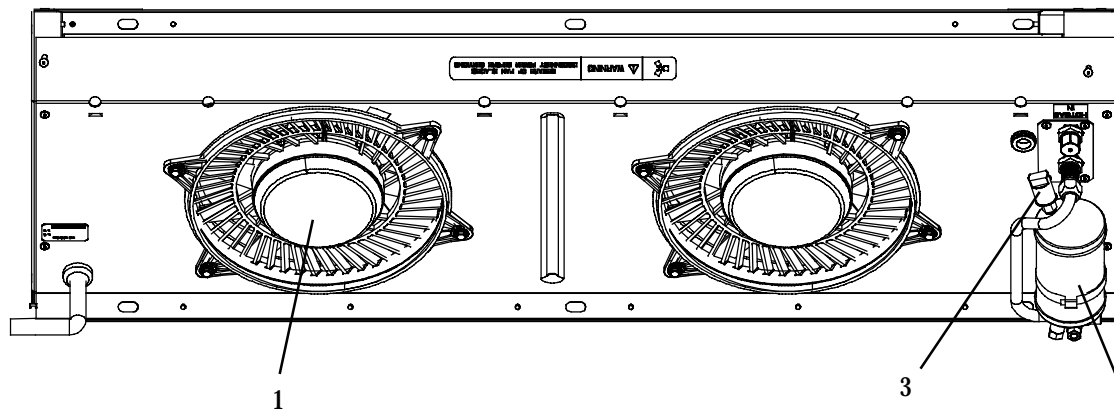
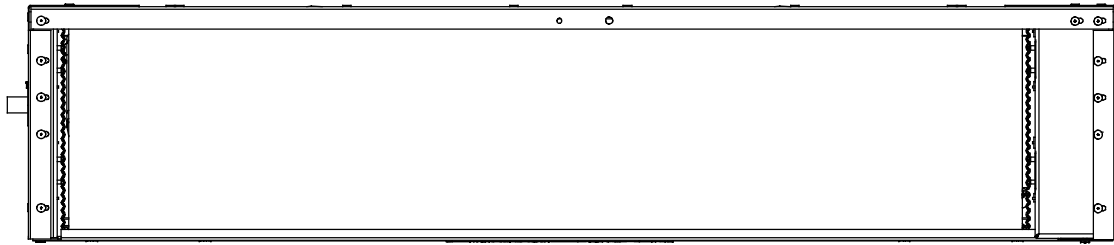
<b>MODEL CM2 MCHX (Top Level) Y19-CM2L2-XX</b>	<b>Chassis Kits (See Section 1.1.12 &amp; 1.1.15)</b>	<b>Elec. Harness (See Section 1.1.13)</b>	<b>Grill Options (See Section 1.1.14)</b>
-00	1&3	1	-
-11	1&3	1	2
-20	1&3	1	1
-40	1&3	1	3

**OPTION TABLE CM2L MCHX Y19-CM2L5 UNITS**

<b>MODEL CM2 MCHX (Top Level) Y19-CM2L5-XX</b>	<b>Chassis Kits (See Section 1.1.12 &amp; 1.1.15)</b>	<b>Elec. Harness (See Section 1.1.13)</b>	<b>Grill Options (See Section 1.1.14)</b>
-00	2&4	3	-
-11	2&4	3	2
-12	2&4	4	1
-20	2&4	3	3



1.1.12 CONDENSER, CM2 (Long) , CHASSIS KIT: Option 1

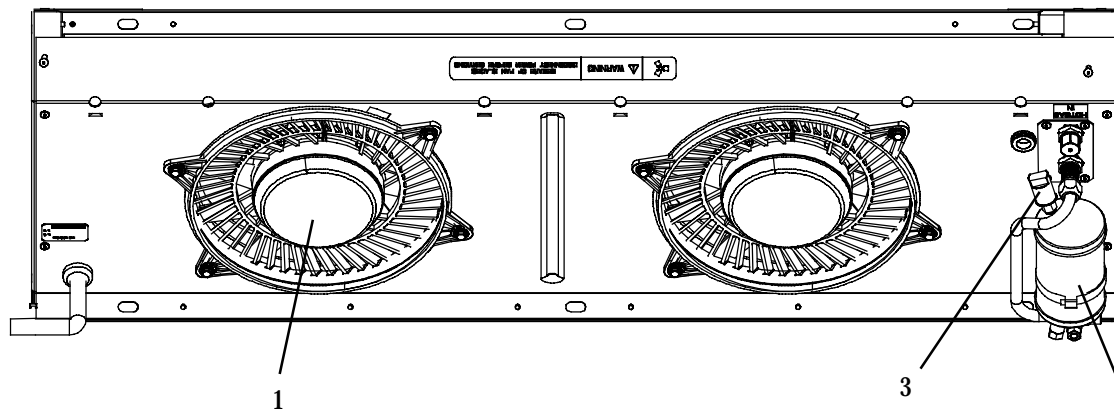
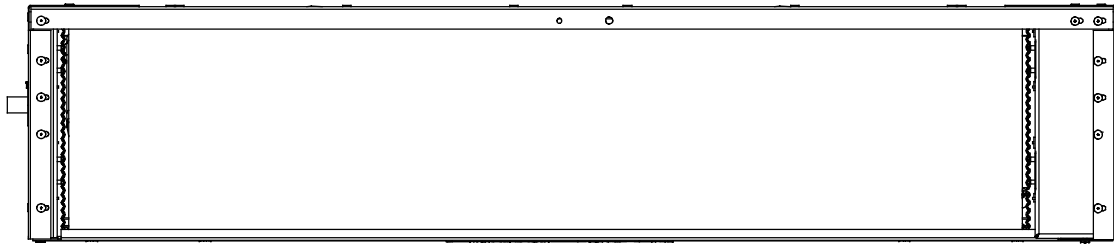


REF: Y74-CM2L1-00 & -02  
REF: Y74-CM2L2-00 & -02

Item	Part Number	Description	Qty
1	54-00618-01	Fan & Motor Assembly, 11" Vector w/Fuse, 12VDC	2
	54-00618-02	Fan & Motor Assembly, 11" Vector w/Fuse, 24VDC	2
2	65-00193-00	Receiver, w/Filter Drier	1
3	AC201-414	Pressure switch, 400-300 psig	1
4	NSI	Harness, Electrical (See Section 1.1.13)	1



1.1.12 CONDENSER, CM2 (Long) , CHASSIS KIT: Option 2



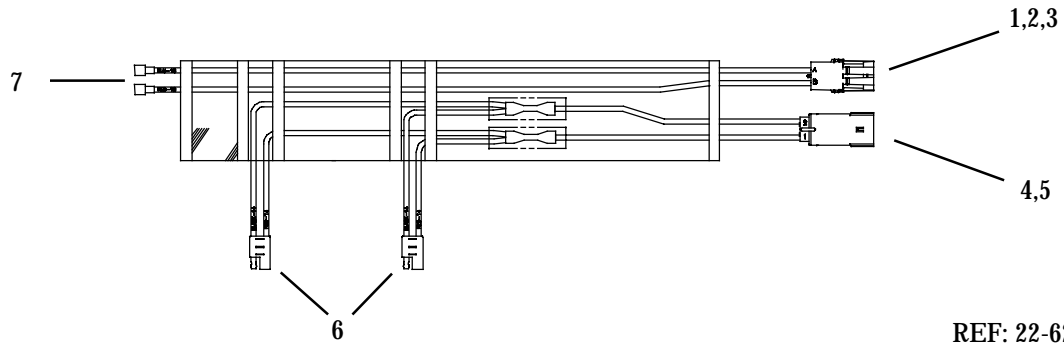
REF: Y74-CM2L3-00 & -02  
REF: Y74-CM2L5-00, -01 & -02

Item	Part Number	Description	Qty
1	Y15-00005-00	Fan & Motor Assembly, 11" Vector w/Fuse, 12VDC	2
2	65-00193-00	Receiver, w/Filter Drier	1
3	Y25-00232-14	Pressure switch, Open 390-410 psig, Close 290-310 psig	1
4	NSI	Harness, Electrical (See Section 1.1.13)	1



**NOTE: Complete Wire Harnesses are Non-Stock Items. Replacement Components are Listed and can be cross referenced to supplier part number in manual T-375PL.**

**1.1.13 CONDENSER, CM2 (Long), HARNESS , ELECTRICAL : Option1**



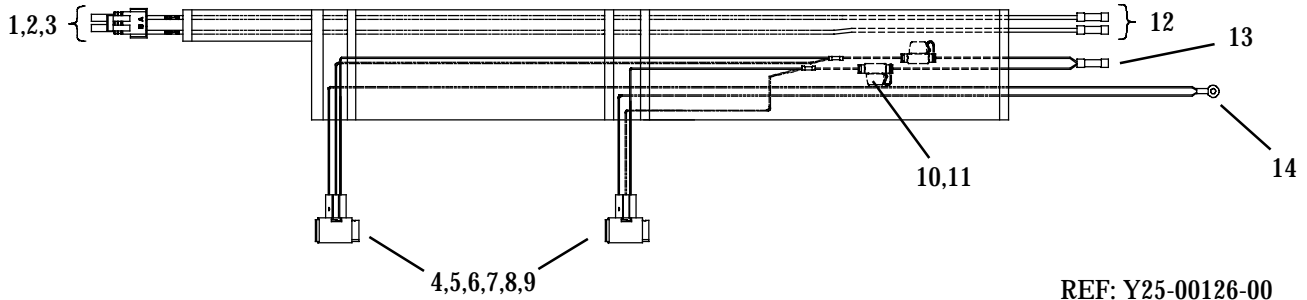
REF: 22-62273-00

Item	Part Number	Description	Qty
1	22-02392-00	Connector, 2 Pin, Black (Packard/Delphi # 12010973	1
2	22-02393-01	Terminal, Male, (18-20 AWG)(Packard # 12089040)	2
3	22-02394-00	Seal, Cable, Gray (Packard # 15324980)	2
4	22-50099-27	Housing, Plug, 2 Pin (Molex # 19433-0014)	1
5	22-50099-27A	Terminal, Male (8 AWG) (Molex # 19431-0017)	2
6	NSI	Condenser Motor Harness	2
7	22-01502-00	Terminal, Male, Insulated Push On (18 AWG) (Amp # 2-520102-2)	2



**NOTE: Complete Wire Harnesses are Non-Stock Items. Replacement Components are Listed and can be cross referenced to supplier part number in manual T-375PL.**

**1.1.13 CONDENSER, CM2 (Long), HARNESS , ELECTRICAL : Option 2**



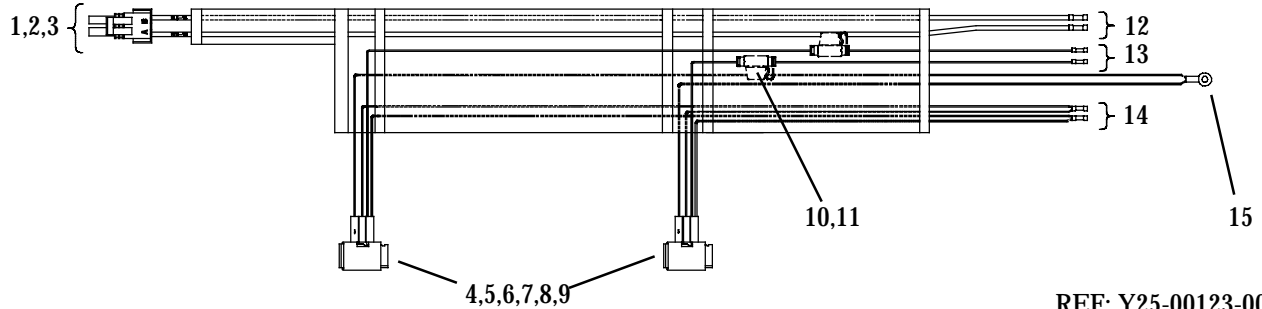
REF: Y25-00126-00

Item	Part Number	Description	Qty
1	22-01585-00	Connector, Tower, 2 Pin (Delphi # 12015792)	1
2	22-01566-01	Terminal, Female, 18-20 AWG (Delphi # 12089188)	2
3	22-02394-00	Seal, Cable, (Delphi # 15324980)	2
4	22-50099-40	Housing, Plug, 2 Pin (AMP # 1-96312-1)	2
5	22-50099-40A	Terminal, 14 AWG (AMP # 929938-1)	4
6	22-50099-40B	Terminal, 18/20 AWG (AMP # 929940-1)	2
7	22-50099-40C	Seal, Cable, 14AWG (AMP # 828905-1)	4
8	22-50099-40D	Seal, Cable, 18AWG (AMP # 828904-1)	2
9	22-50099-40F	Cavity Plug (AMP # 828922-1)	6
10	22-02338-03	Fuseholder w/Cap (Littlefuse# FHM001)	2
11	22-02336-24	Mini Fuse, 15A (Littlefuse# 297015)	2
12	-	Butt Splice, 18 AWG, Sealable (Waytek# 30960)	2
13	-	Butt Splice, 10/12 AWG, Sealable (Waytek# 38253)	1
14	-	Terminal, Ring, 10/12 AWG, 1/4" (Molex# 19164-0066)	1



**NOTE: Complete Wire Harnesses are Non-Stock Items. Replacement Components are Listed and can be cross referenced to supplier part number in manual T-375PL.**

**1.1.13 CONDENSER, CM2 (Long), HARNESS , ELECTRICAL : Option 3**

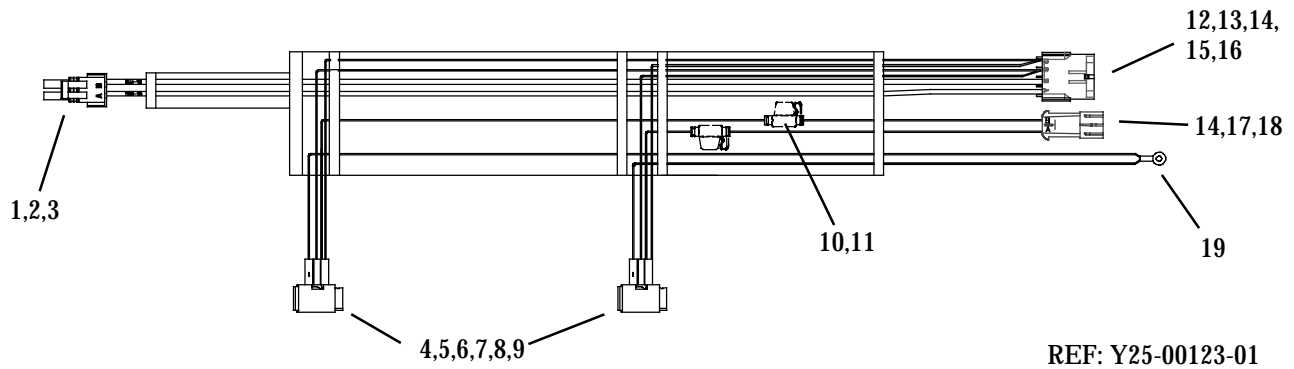


Item	Part Number	Description	Qty
1	22-01585-00	Connector, Tower, 2 Pin (Delphi # 12015792)	1
2	22-01566-01	Terminal, Female, 18-20 AWG (Delphi # 12089188)	2
3	22-02394-00	Seal, Cable, (Delphi # 15324980)	2
4	22-50099-40	Housing, Plug, 2 Pin (AMP # 1-96312-1)	2
5	22-50099-40A	Terminal, 14 AWG (AMP # 929938-1)	4
6	22-50099-40B	Terminal, 18/20 AWG (AMP # 929940-1)	4
7	22-50099-40C	Seal, Cable, 14AWG (AMP # 828905-1)	4
8	22-50099-40D	Seal, Cable, 18AWG (AMP # 828904-1)	4
9	22-50099-40F	Cavity Plug (AMP # 828922-1)	4
10	22-02338-03	Fuseholder w/Cap (Littlefuse# FHM001)	2
11	22-02336-24	Mini Fuse, 15A (Littlefuse# 297015)	2
12	-	Butt Splice, 18 AWG, Sealable (Waytek# 30960)	2
13	-	Butt Splice, 14/16 AWG, Sealable (Waytek# 31960)	2
14	-	Butt Splice, Sep Down, 14/16 - 18/22 AWG, Sealable (Molex# 19164-0043)	2
15	-	Terminal, Ring, 10/12 AWG, 1/4" (Molex# 19164-0066)	1



**NOTE: Complete Wire Harnesses are Non-Stock Items. Replacement Components are Listed and can be cross referenced to supplier part number in manual T-375PL.**

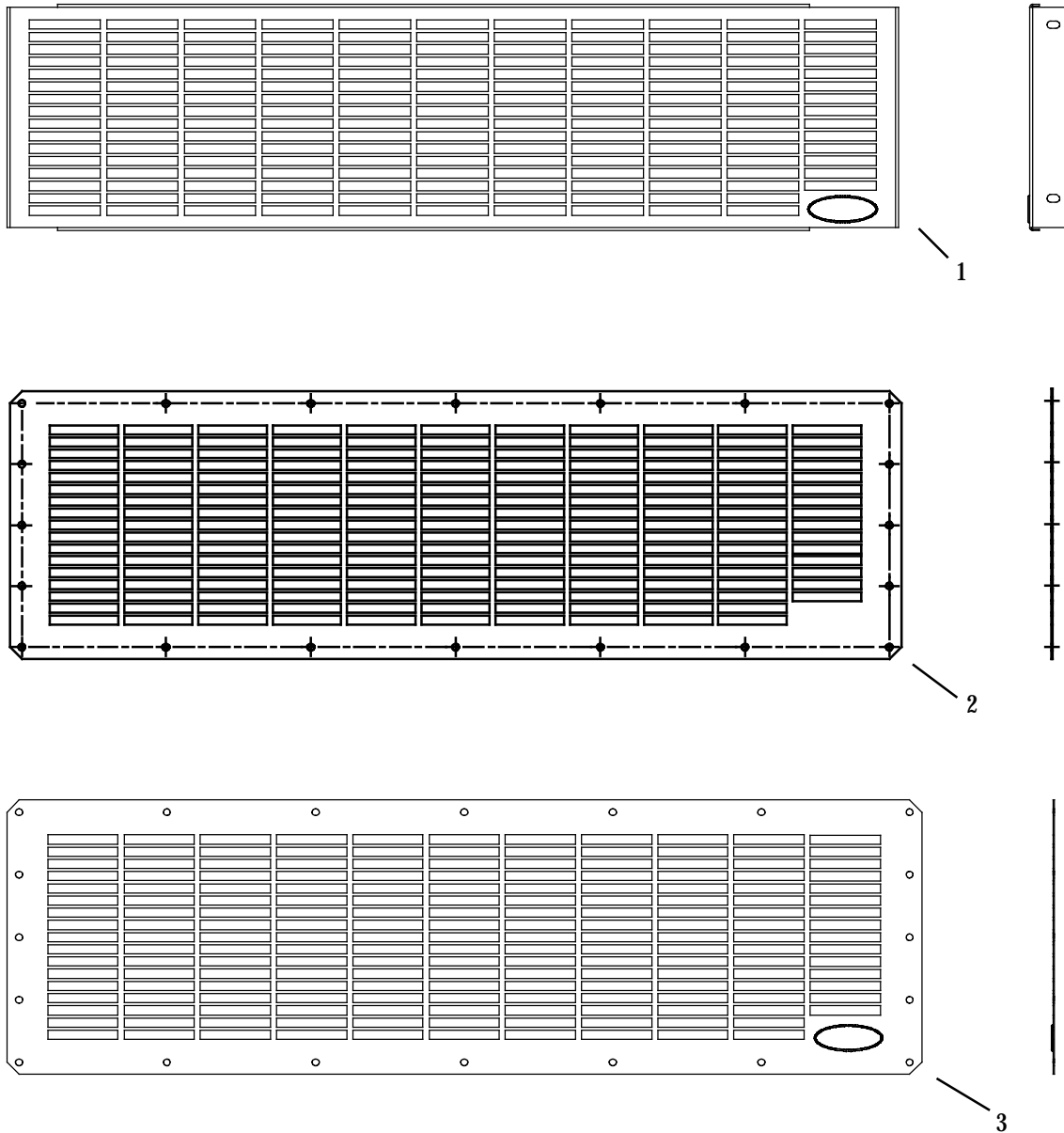
**1.1.13 CONDENSER, CM2 (Long), HARNESS , ELECTRICAL : Option 4**



Item	Part Number	Description	Qty
1	22-01585-00	Connector, Tower, 2 Pin (Delphi # 12015792)	1
2	22-01566-01	Terminal, Female, 18-20 AWG (Delphi # 12089188)	2
3	22-02394-00	Seal, Cable, Gray (Delphi # 15324980)	2
4	22-50099-40	Housing, Plug, 2 Pin (AMP # 1-96312-1)	2
5	22-50099-40A	Terminal, 14 AWG (AMP # 929938-1)	4
6	22-50099-40B	Terminal, 18/20 AWG (AMP # 929940-1)	4
7	22-50099-40C	Seal, Cable, 14AWG (AMP # 828905-1)	4
8	22-50099-40D	Seal, Cable, 18AWG (AMP # 828904-1)	4
9	22-50099-40F	Cavity Plug (AMP # 828922-1)	4
10	22-02338-03	Fuseholder w/Cap (Littlefuse# FHM001)	2
11	22-02336-24	Mini Fuse, 15A (Littlefuse# 297015)	2
12	22-00392-03	Connector, Shroud, 4-Way (Packard# 12010974)	1
13	22-00393-01	Terminal, Male, 18-20 AWG (Packard# 12089040)	2
14	22-02394-03	Seal, Cable, Purple (Packard# 15324985)	2
15	22-02393-00	Terminjal, Male, 14/16 (Packard# 12124582)	2
16	22-02394-02	Seal, Cable, Green (Packard# 15324982)	2
17	22-50078-01	Connector, Male, 2-Way, 280 Metri-Pack (Packard# 15300002)	2
18	22-50078-47B	Terminal, Male, 14/16 AWG (Packard# 12129497)	2
19	-	Terminal, Ring, 10/12 AWG, 1/4" (Molex# 19164-0066)	1



**1.1.14 CONDENSER, CM2 (Long) , GRILLE, OPTIONS 1,2 & 3**

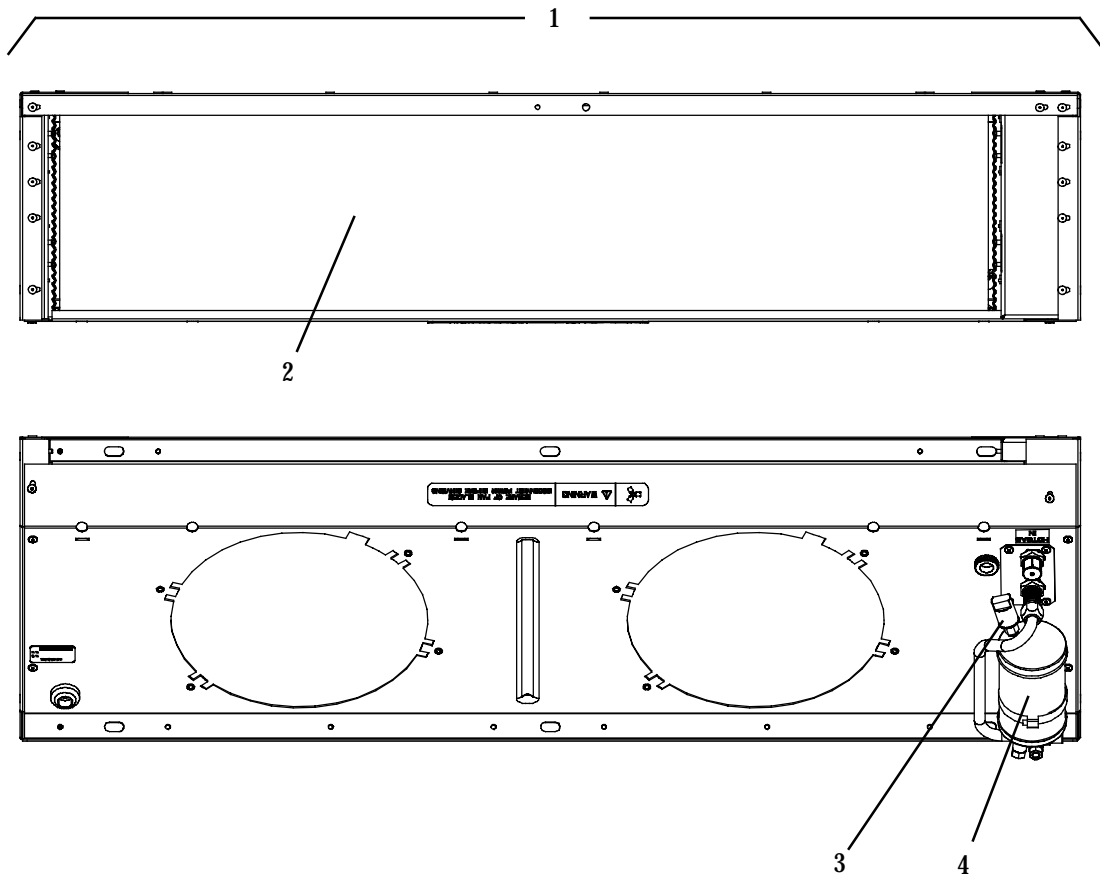


Item	Part Number	Description	Qty
1	79-62014-30	Grille Assembly, BLK TXT MTD (Grille mounted): <b>OPTION 1</b>	1
2	79-62014-33	Grille, (Skirt Mounted) BLK Smooth: <b>OPTION 2</b> (was 68-08121-01)	1
3	79-62014-34	Grille Assembly, BLK TXT Short (Skirt mounted): <b>OPTION 3</b>	1





1.1.15 CONDENSER, CM2 (Long) , SERVICE REPLACEMENT CHASSIS, OPTION 3

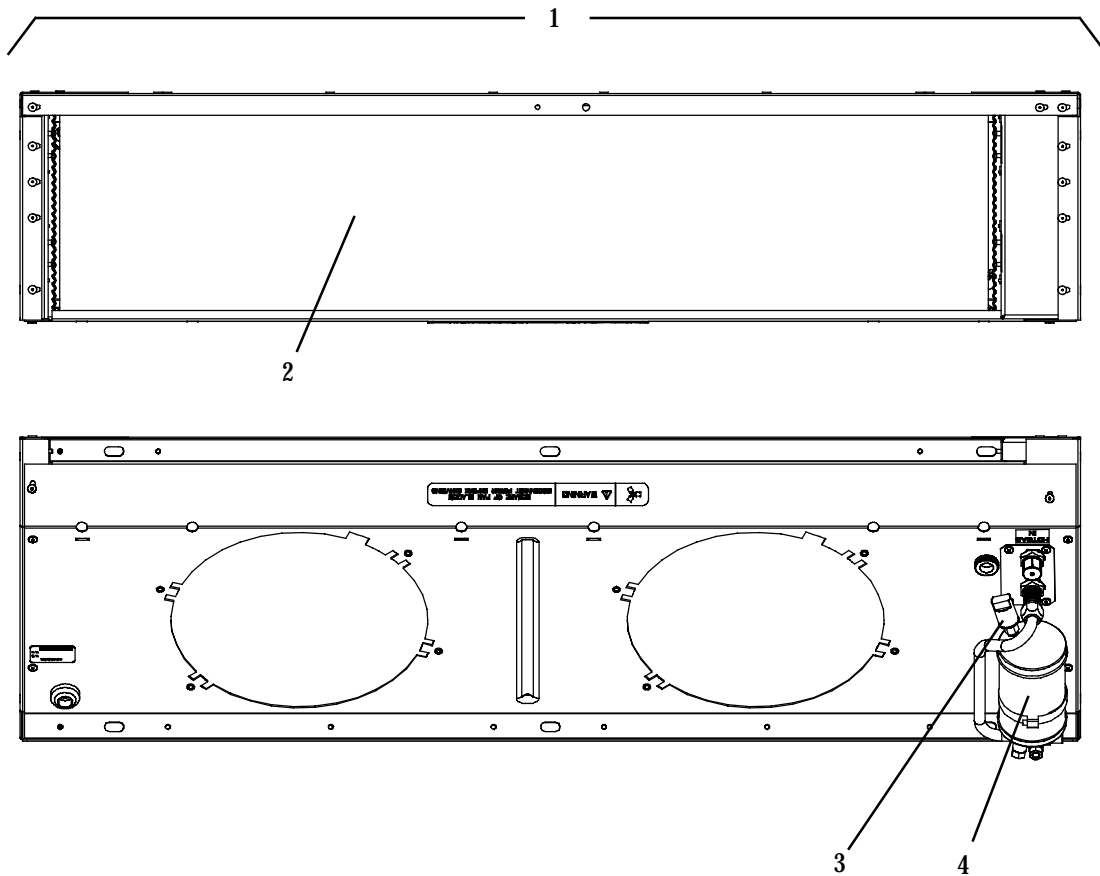


REF: Y19-CM2L1-50

Item	Part Number	Description	Qty
1	Y19-CM2L1-50	Replacement Chassis Kit: Includes:	1
2	NSS	... Coil, Condenser, MCHX	1
3	AC201-414	... Switch, Pressure	1
4	65-00193-00	... Receiver/Filter Drier	1



1.1.15 CONDENSER, CM2 (Long) , SERVICE REPLACEMENT CHASSIS, OPTION 4



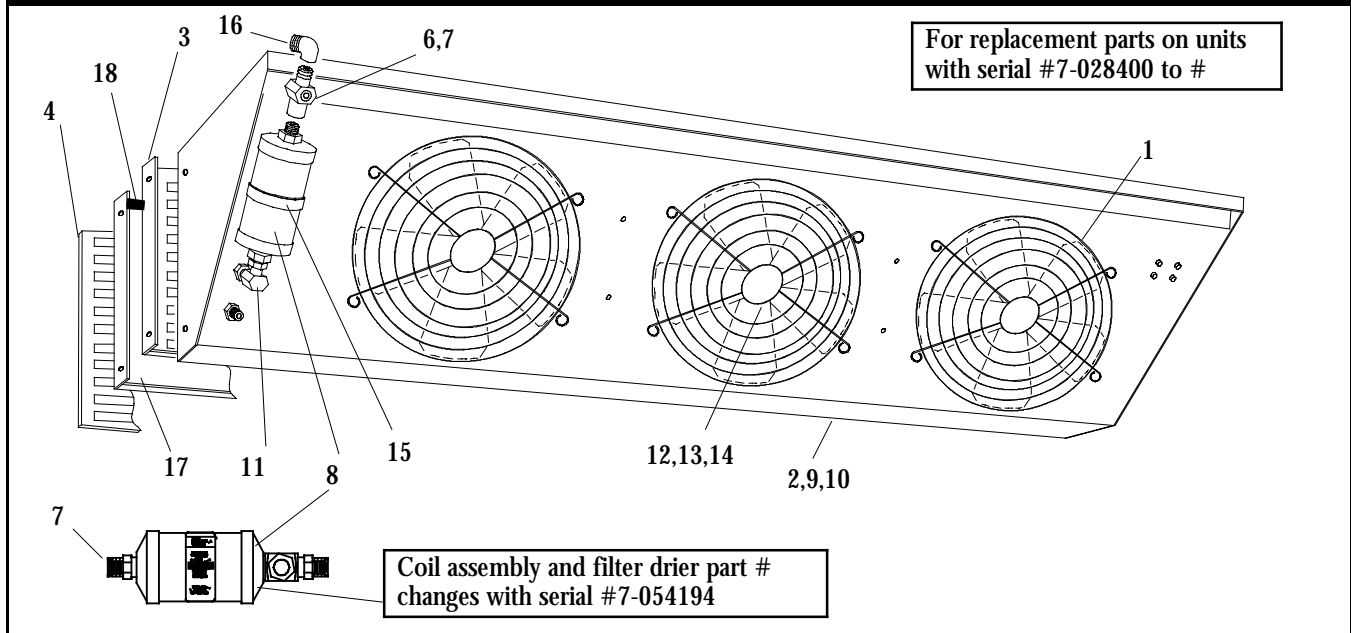
REF: Y19-CM2L3-50

Item	Part Number	Description	Qty
1	Y19-CM2L3-50	Replacement Chassis Kit: Includes:	1
2	NSS	... Coil, Condenser, MCHX	1
3	Y25-00232-14	... Switch, Pressure	1
4	65-00193-00	... Receiver/Filter Drier	1



SECTION 1.2 CM-3 CONDENSERS

1.2.1 CONDENSER, CM-3, GEN 4



Item	Part Number	Description	Qty
1	AC030-234	Guard, Fan (Not used with 54-00618-01)	3
2	08-62035-01	Coil Assembly, With Pressure Switches, (Before serial #7-054194) (was AC033-220)	1
3	AC033-133P	Grill, Condenser Mounted, Black	1
	79-62014-30	Grill, Condenser Mounted, Black (MCHX) (was 68-15461-00)	1
4	79-62014-32	Grill, Bus Skirt Mounted (was AC033-135)	1
5	AC101-200	Sightglass	1
6	AC801-220	O-Ring, 1/2 Inch MF-O, (Before serial #7-054194)	2
7	AC801-202	O-Ring, 1/2 Inch HNBR, (Beginning with serial #7-054194)	2
8	AC101-312	Filter Drier, 16 Cubic Inch, 1/2 Inch MFL-O, (Before serial #7-054194)	1
	14-00288-00	Filter Drier/Sightglass Combination, (Beginning with serial #7-054194)	1
9	AC201-414	Switch, High Pressure	1
10	AC201-412	Switch, Low Pressure	1
11	AC301-441	Fitting, Swivel Union, 1/2 Inch Female Flare X 1/2 Inch Female Flare (Old)	1
	40-62036-00	Fitting, Swivel Union, 1/2 Inch Female O-Ring X 1/2 Inch Female O-Ring	1
12	54-00618-01	Assembly, Fan, 12 VDC - Includes: (was AC401-110)	1
13	22-02336-25	... Fuse, 20 Amp	1
14	22-62124-00	Harness, Condenser, CM-3	1
15	AC701-269	Clamp, Worm Gear, (Filter Drier)	1
16	-	Fitting, 90°, 1/2 Inch Male Flare X 1/2 Inch Female Flare, (Brass)	<b>NSI</b>
17	AC033-147	Kit, Winterization, Consisting Of:	1
18	AC801-412F25	... Gasket, Trim Seal, Black (25 Ft. Roll)	1

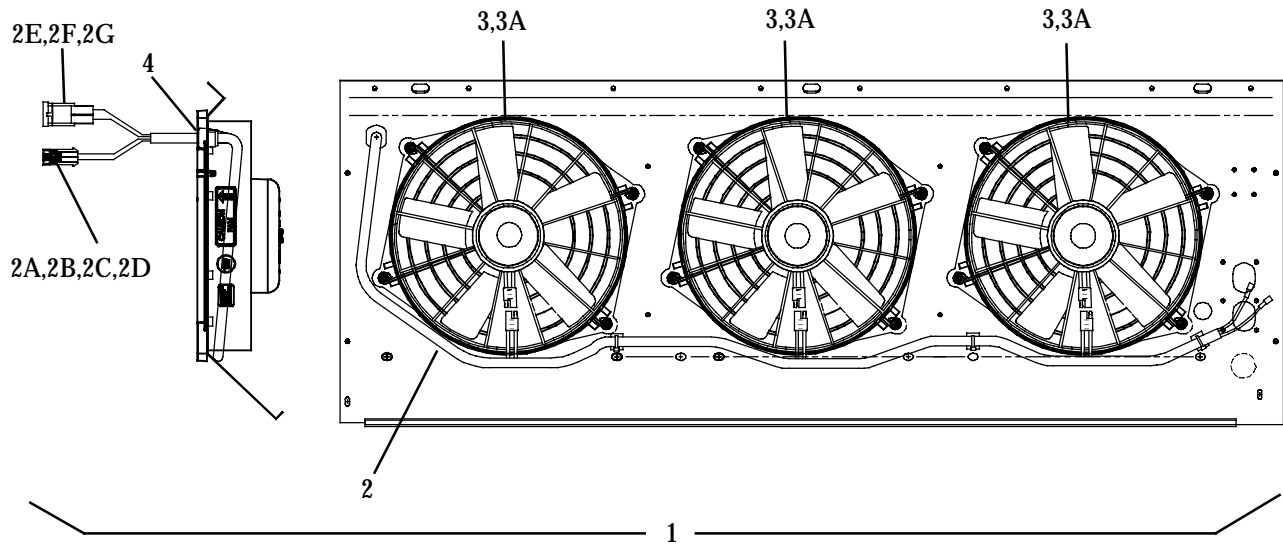


OPTION TABLE CM3 MCHX 77-01288 UNITS

<b>MODEL CM3 MCHX (Top Level) 77-01288-XX</b>	<b>Chassis Kit (See Section 1.2.4)</b>	<b>Venturi Panel (See Section 1.2.2)</b>	<b>Elec. Harness (See Section 1.2.7)</b>	<b>Grill (See Section 1.2.9)</b>
-00	1	5	3	-
-11	1	5	3	1
-12	1	2	-	-
-16	1	1	1	-
-20	1	5	3	2
-21	1	3	2	3
-22	1	3	2	3
-30	1	5	3	2
-40	1	5	3	4
-60	1	4	3	1
-61	1	4	3	2
-62	1	4	3	4
-96	1	5	3	2



**1.2.2 CONDENSER, CM-3, MCHX, VENTURI ASSEMBLY: OPTION 1**

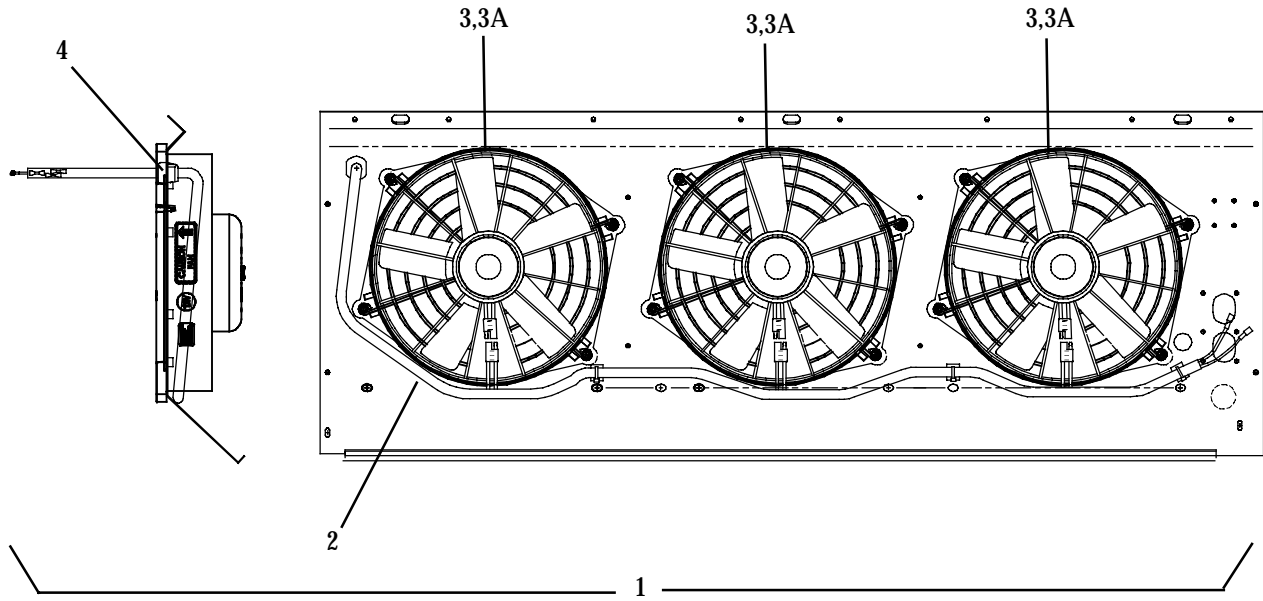


REFERENCE CHASSIS KIT 77-01277-00 C

Item	Part Number	Description	Qty
1	-	Venturi Assembly, CM-3 12VDC - Includes:	<b>NSI</b>
2	22-62205-00	...Harness, Connector, CM-3 - Includes:	<b>NSI</b>
2A	22-50078-72	.....Connector, Male (Packard # 12052647/12162000)	1
2B	22-50078-46A	.....Terminal, Male (Packard # 12045773)	2
2C	22-50078-50A	.....Seal, Cable (Packard # 15324973)	2
2D	22-50078-72A	.....Lock, Secondary (Packard # 12052634)	1
2E	22-50098-67	.....Connector, 2 Pin Black (Tyco # 1544334-1)	1
2F	22-50098-67B	.....Terminal, Male (Tyco # 1544333-1)	2
2G	22-50098-67D	.....Seal, Cable (Tyco # 1544316-20)	2
3	54-00618-01	...Fan & Motor Assembly, Vector, 12V W/Fuse (No Repl. Motor) Includes:	3
3A	22-02336-25	.....Fuse, 20 Amp	1
4	58-62019-00	...Bushing, Strain Relief	1



1.2.2 CONDENSER, CM-3, MCHX, VENTURI ASSEMBLY: OPTION 2

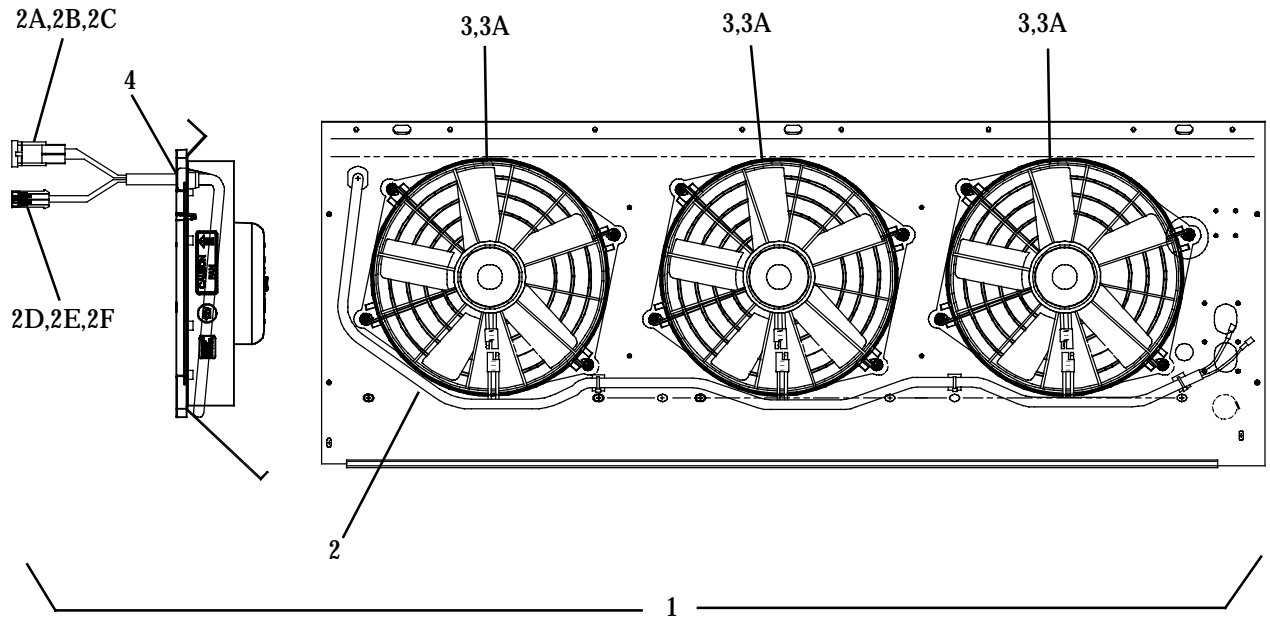


REFERENCE CHASSIS KIT 77-01277-02

Item	Part Number	Description	Qty
1	-	Venturi Assembly, CM-3 12VDC - Includes:	<b>NSI</b>
2	22-62124-00	... Harness, Connector, CM-3	<b>NSI</b>
3	54-00618-01	... Fan & Motor Assembly, Vector, 12V W/Fuse (No Repl. Motor) Includes:	3
3A	22-02336-25	... Fuse, 20 Amp (Littlefuse # 297020)	1
4	58-62019-00	... Bushing, Strain Relief	1



**1.2.2 CONDENSER, CM-3, MCHX, VENTURI ASSEMBLY: OPTION 3**

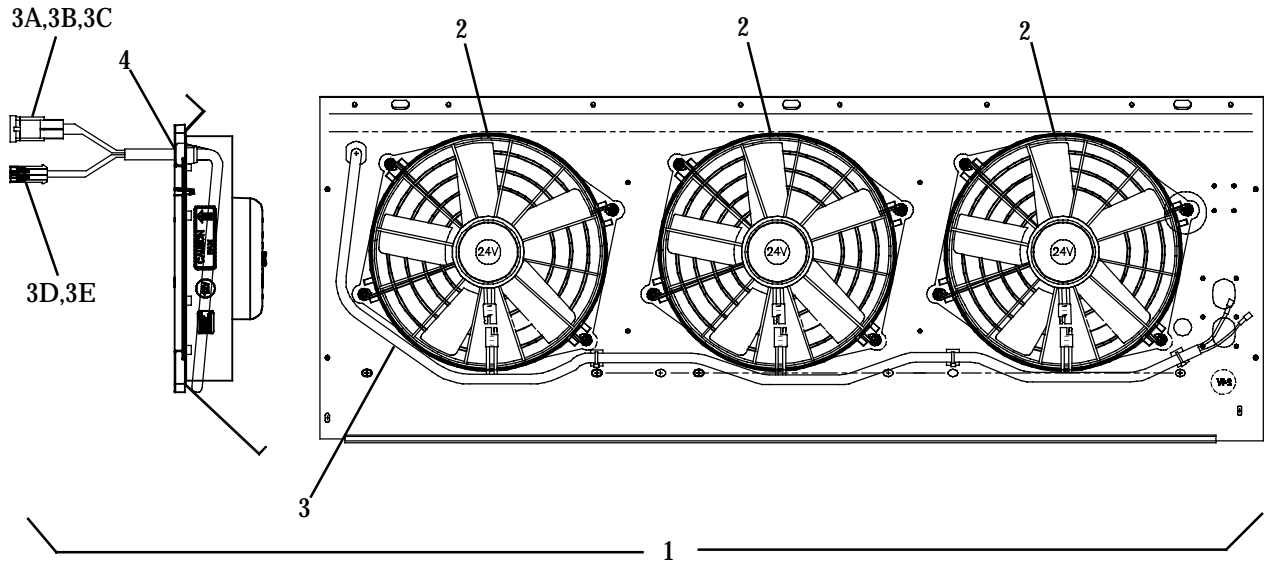


REFERENCE CHASSIS KIT 77-01277-04

Item	Part Number	Description	Qty
1	-	Venturi Assembly, CM-3 12VDC - Includes:	<b>NSI</b>
2	22-62258-00	... Harness, Connector, CM-3 - Includes:	<b>NSI</b>
2A	22-02392-00	... Connector, Male, 2 Pin Black (Packard # 12010973)	1
2B	22-02393-01	... Terminal, Male, (18-20 AWG) (Packard # 12089040)	2
2C	22-02394-00	... Seal, Cable, Gray (Packard # 15324980)	2
2D	22-50078-40	... Connector, 2 Pin, Female, Black (Packard # 12052613)	1
2E	22-50078-48G	... Terminal, Female, (10 AWG) (Packard # 12052139)	2
2F	22-50078-52E	... Seal, Cable, Orange (Packard # 15324987)	2
3	54-00618-01	... Fan & Motor Assembly, Vector, 12V/Fuse (No Repl. Motor) Includes:	3
3A	22-02336-25	... Fuse, 20 Amp (Littlefuse # 297020)	1
4	58-62019-00	... Bushing, Strain Relief	1



**1.2.2 CONDENSER, CM-3, MCHX, VENTURI ASSEMBLY: OPTION 4**



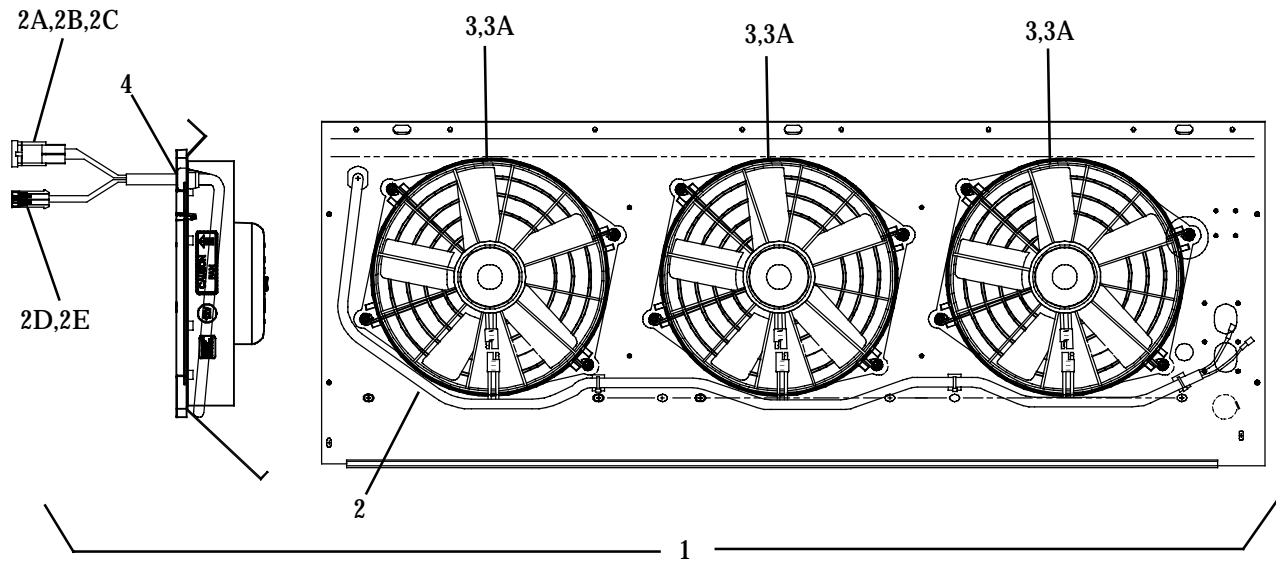
REFERENCE CHASSIS KIT 77-01277-60 F

Item	Part Number	Description	Qty
1	-	Venturi Assembly, CM-3 24VDC - Includes:	<b>NSI</b>
2	AC030-234	... Guard, Fan, Condenser	3
3	22-62272-00	... Harness, Connector, CM-3 - Includes:	<b>NSI</b>
3A	22-02392-00	..... Connector, 2 Pin, Black (Packard # 12010973)	1
3B	22-02393-01	..... Terminal, Male, (18-20 AWG) (Packard # 12089040)	2
3C	22-02394-00	..... Seal, Cable, Gray (Packard # 15324980)	2
3D	22-02392-00	..... Connector, 2 Pin (was 22-50371-00) (Packard # 12010973)	1
3E	22-02393-01	..... Terminal, Male (8 AWG) (was 22-50372-00) (Packard # 12089040)	2
4	58-62019-00	... Bushing, Strain Relief	1





**1.2.2 CONDENSER, CM-3, MCHX, VENTURI ASSEMBLY: OPTION 5**

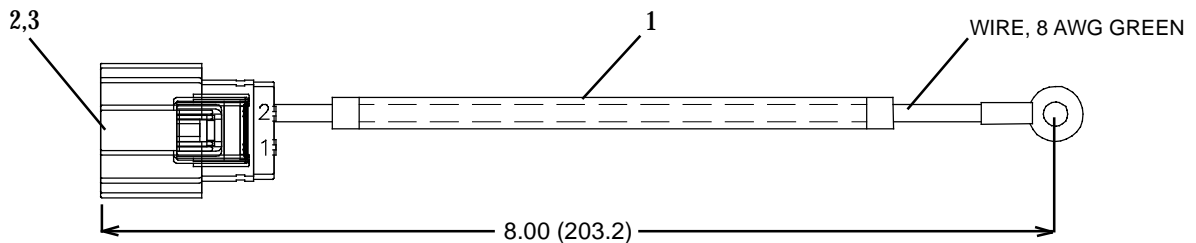


REFERENCE CHASSIS KIT 77-01277-05 F

Item	Part Number	Description	Qty
1	-	Venturi Assembly, CM-3 12VDC - Includes:	<b>NSI</b>
2	22-62272-00	... Harness, Connector, CM-3 - Includes:	<b>NSI</b>
2A	22-02392-00	..... Connector, 2 Pin, Black (Packard # 12010973)	1
2B	22-02393-01	..... Terminal, Male, (18-20 AWG) (Packard # 12089040)	2
2C	22-02394-00	..... Seal, Cable, Gray (Packard # 15324980)	2
2D	22-02392-00	..... Connector, 2 Pin (was 22-50371-00) (Packard # 12010973)	1
2E	22-02393-01	..... Terminal, Male, (8 AWG) (was 22-50372-00) (Packard # 12089040)	2
3	54-00618-01	... Fan & Motor Assembly, Vector, 12V W/Fuse (No Repl. Motor) Includes:	3
3A	22-02336-25	..... Fuse, 20 Amp	1
4	58-62019-00	... Bushing, Strain Relief	1

**NOTE: Complete Wire Harnesses are Non-Stock Items. Replacement Components are Listed and can be cross referenced to supplier part number in manual T-375PL.**

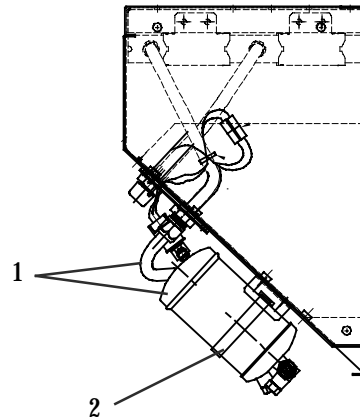
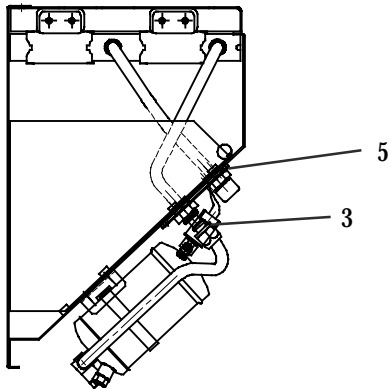
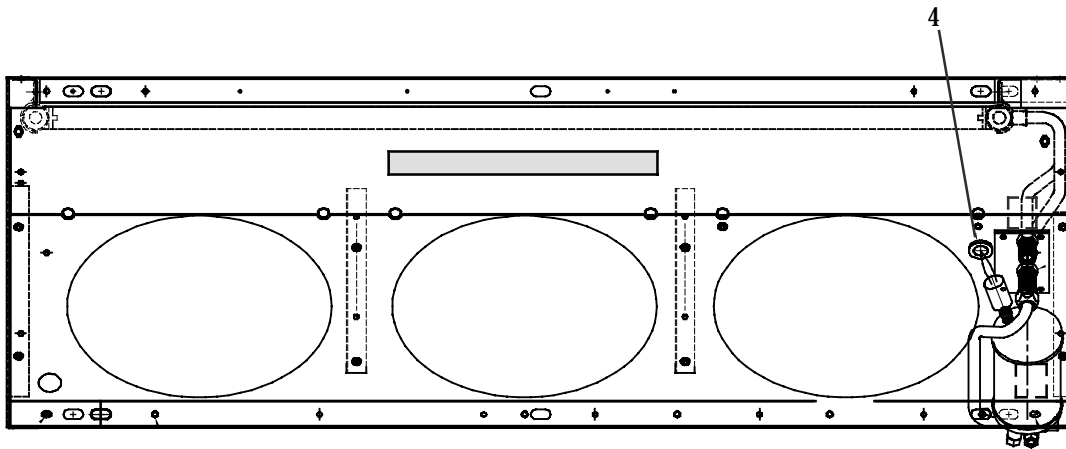
**1.2.3 CM-3, CONDENSER GROUND/POWER HARNESS**



Item	Part Number	Description	Qty
1	-	Harness, Condenser - Includes:	<b>NSI</b>
2	22-50099-28	... Housing, Receptacle, 2 Pin, Black (Molex # 19432-0014)	1
3	22-50099-28A	... Terminal, Female (8 AWG) (Molex # 19434-0004)	1



1.2.4 CONDENSER, CM-3, MCHX, REPLACEMENT CHASSIS (77-01277-50)



**OBSOLETE:**  
**Superseded to Slim Line Version 77-00250-50**

Item	Part Number	Description	Qty
-	N/A	CM-3 Service Chassis Kit - Includes: <b>(Superseded to 77-00250-50)</b>	1
1	65-00193-00	... Receiver, With Filter Drier	1
2	44-00045-19	... Clamp, Hose, Worm Type, Range: 2.56-3.50 Inches	1
3	AC201-414	... Switch, High Pressure, 400 - 300	1
4	58-04764-00	... Grommet, .25 ID x .84 Groove	1
5	34-06088-07	... Nut, Hex, Jam, 3/4-16	2

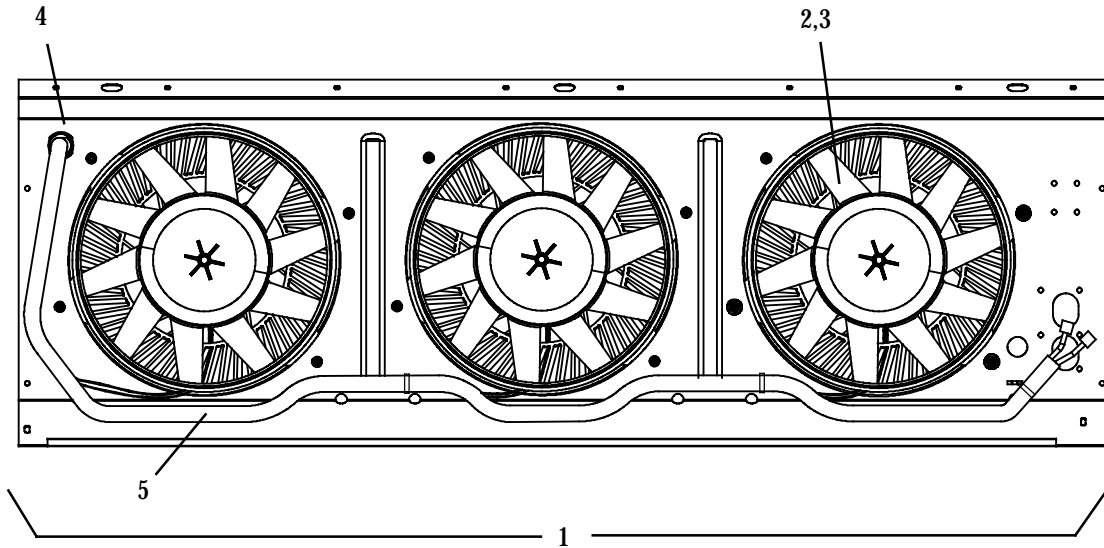


OPTION TABLE CM3 MCHX 77-00274 UNITS

<b>MODEL CM3 MCHX (Top Level) 77-00274-XX</b>	<b>Chassis Kit (See Section 1.2.8)</b>	<b>Venturi Panel (See Section 1.2.5)</b>	<b>Elec. Harness (See Section 1.2.7)</b>	<b>Grill (See Section 1.2.9)</b>	<b>Notes</b>
-00	1	1	3	-	12 VDC
-11	1	1	3	1	12 VDC
-12	1	1	3	1	12 VDC
-16	1	1	1	-	12 VDC
-20	1	1	3	2	12 VDC
-21	1	1	2	5	12 VDC
-22	1	1	2	5	12 VDC
-23	1	1	2	1	12 VDC
-30	1	1	3	2	12 VDC
-35	1	1	3	2	12 VDC
-40	1	1	3	4	12 VDC
-60	1	2	3	1	<b>Inactive</b>
-61	1	2	3	2	<b>Inactive</b>
-62	1	2	3	4	<b>Inactive</b>
-63	1	3	4	1	24 VDC
-64	1	3	4	2	24 VDC
-65	1	3	4	4	24 VDC
-66	1	3	5	1	24 VDC
-67	1	3	5	2	24 VDC
-68	1	3	5	4	24 VDC
-69	1	3	4	-	24 VDC
-70	1	3	5	-	24 VDC



1.2.5 CONDENSER, CM-3 SLIM LINE MCHX, VENTURI ASSEMBLY (12V) COMMON PARTS: OPTION 1



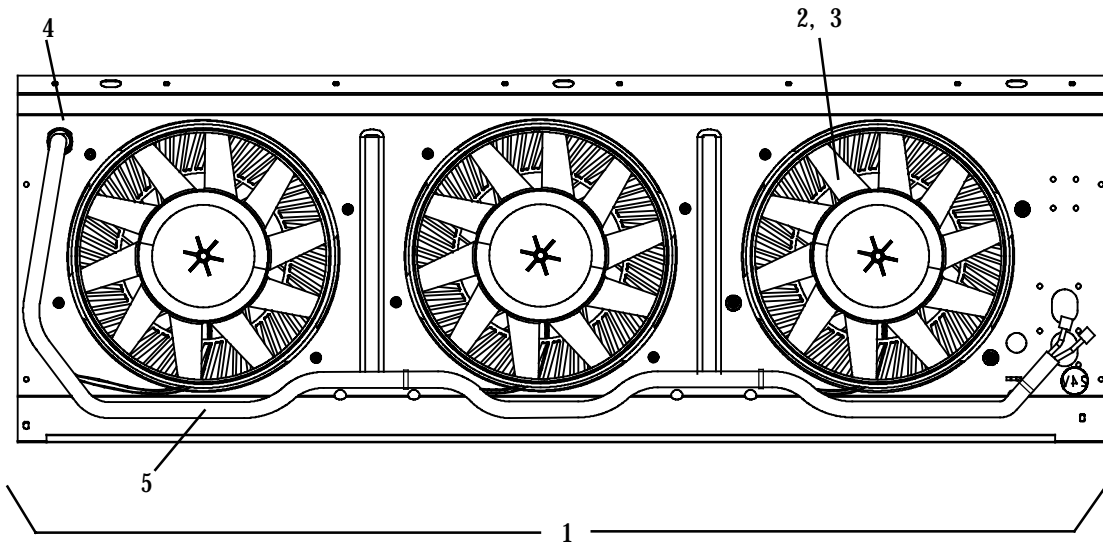
USED ON UNITS 77-00274-00, -11, -16, -20, -21, -22, -30 & -40

REFERENCE CHASSIS KITS 77-00250-00, 01, 02 & -03

Item	Part Number	Description	Qty
1	-	Venturi Assembly, CM-3 12VDC - Includes:	<b>NSI</b>
2	54-00618-01	. . . Fan & Motor Assembly, Vector, 12V, W/Fuse (No Repl. Motor) Includes:	3
3	22-02336-25	. . . Fuse, 20 Amp	1
4	58-62019-00	. . . Bushing, Strain Relief	1
5	22-62273-XX	Refer to Sections 1.2.7 for proper harness	1



1.2.5 CONDENSER, CM-3 SLIM LINE MCHX, VENTURI ASSEMBLY (24V) COMMON PARTS: OPTION 2



**"INACTIVE"**

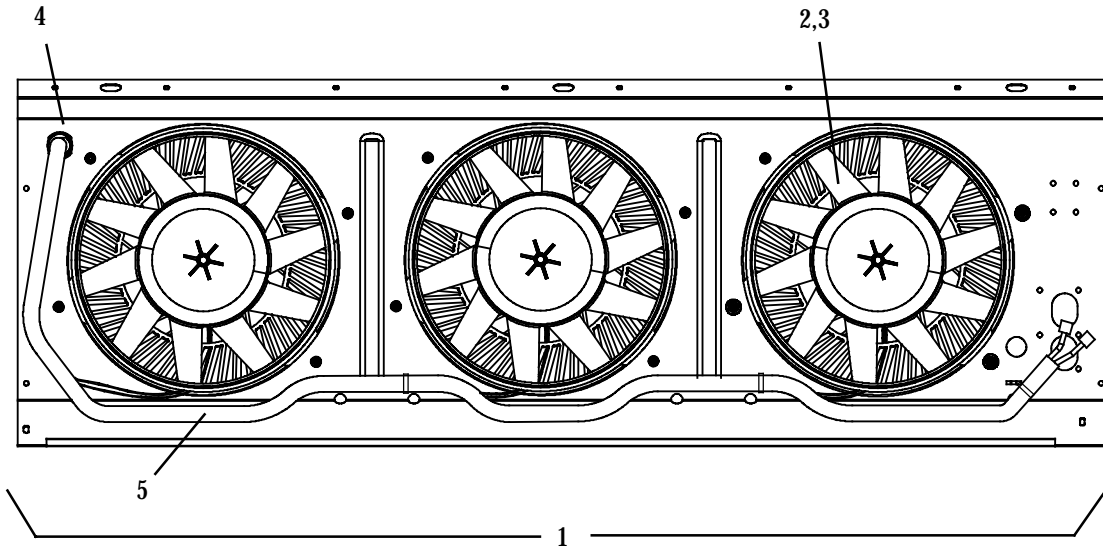
USED ON UNITS 77-00274-60, -61 & -62

REFERENCE CHASSIS KITS 77-00250-60

Item	Part Number	Description	Qty
1	-	Venturi Assembly, CM-3-24VDC - Includes:	<b>NSI</b>
2	54-00618-02	... Fan & Motor Assembly, Vector, 24V, W/Fuse (No Repl. Motor) Includes:	3
3	22-02336-26	..... Fuse, 25 Amp	1
4	58-62019-00	... Bushing, Strain Relief	1
5	22-62273-XX	Refer to Sections 1.2.7 for proper harness	1



1.2.6 CONDENSER, CM-3 SLIM LINE MCHX, VENTURI ASSEMBLY (24V) COMMON PARTS: OPTION 3



USED ON UNITS 77-00274-63, -64, -65, -66, -67, -68, -69 & -70

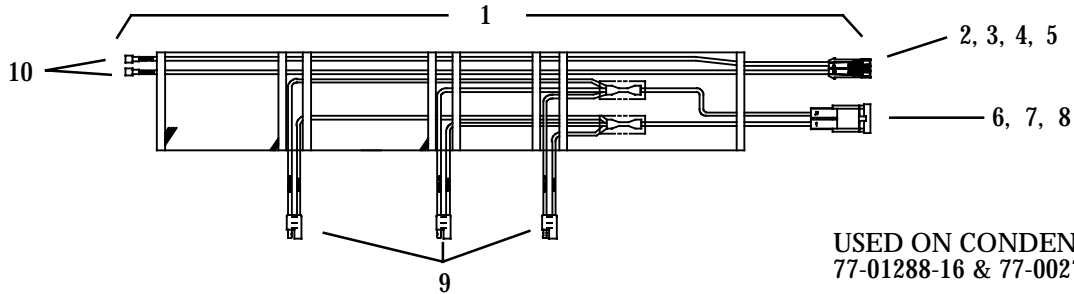
REFERENCE CHASSIS KITS 77-00250-62, 63, 64 & -65

Item	Part Number	Description	Qty
1	-	Venturi Assembly, CM-3 12VDC - Includes:	<b>NSI</b>
2	54-00618-05	... Fan & Motor Assembly, 11" Vector, 24V, W/Fuse (No Repl. Motor) Includes:	3
3	22-02336-24	..... Fuse, 15 Amp (Littlefuse # 297015)	1
4	58-62019-00	... Bushing, Strain Relief	1
5	22-62273-XX	Refer to Sections 1.2.7 for proper harness	1



**NOTE: Complete Wire Harnesses are Non-Stock Items. Replacement Components are Listed and can be cross referenced to supplier part number in manual T-375PL.**

**1.2.7 CM-3, CONDENSER HARNESS 22-62205-00: OPTION 1**



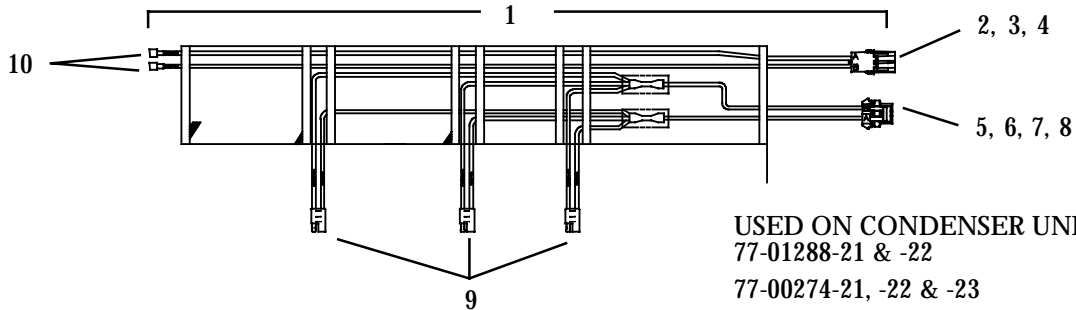
USED ON CONDENSER UNITS  
77-01288-16 & 77-00274-16

Item	Part Number	Description	Qty
1	-	Harness, Condenser - Includes:	<b>NSI</b>
2	22-50078-72	... Connector, Male, 2 Pin (Packard # 12052647/12162000)	1
3	22-50078-46A	... Terminal, Male (18 AWG) (Packard # 12045773)	2
4	22-50078-50A	... Cable Seal (18 AWG) (Packard # 15324973)	2
5	22-50078-72A	... Lock, Secondary (Packard # 12052634)	2
6	22-50098-67	... Connector, Male, 2 Pin (Tyco # 1544334-1)	1
7	22-50098-67B	... Terminal, Female (8 AWG) (Tyco #1544333-1)	2
8	22-50098-67D	... Cable Seal (8 AWG) (Tyco # 1544316-2)	2
9	NSI	... Condenser Motor Harness	3
10	22-01502-00	... Terminal, Male Nylon, Insulated Push On (18 AWG) (Amp # 2-520102-2)	2
N.S.	76-62308-00	Mating Connector and Parts for OEM Interface	1



**NOTE: Complete Wire Harnesses are Non-Stock Items. Replacement Components are Listed and can be cross referenced to supplier part number in manual T-375PL.**

**1.2.7 CM-3, CONDENSER HARNESS 22-62258-00: OPTION 2**



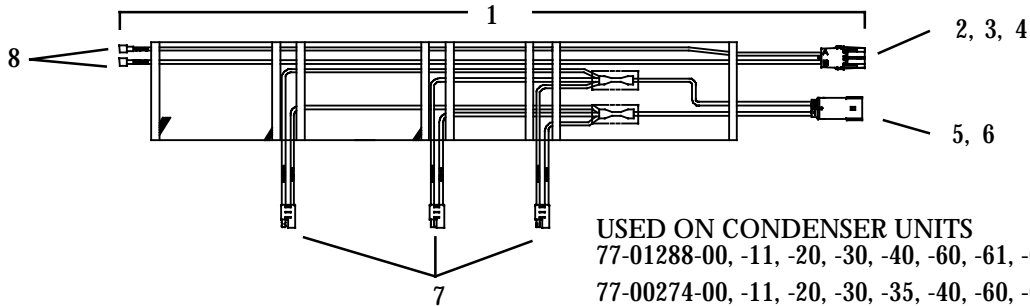
Item	Part Number	Description	Qty
1	-	Harness, Condenser - Includes:	<b>NSI</b>
2	22-02392-00	... Connector, Male, 2 Pin (Packard # 12010973)	1
3	22-02393-01	... Terminal, Male (18 AWG) (Packard # 12089040)	2
4	22-02394-00	... Cable Seal (18 AWG) (Packard # 15324980)	2
5	22-50078-40	... Connector, Female, 2 Pin (Packard # 12052613)	1
6	22-50078-48G	... Terminal, Female (10 AWG) (Packard # 12052139)	2
7	22-50078-52E	... Cable Seal (10 AWG) (Packard # 15324987)	2
8	22-50078-39A	... Lock, Secondary (Packard # 12059897)	2
9	NSI	... Condenser Motor Harness	3
10	22-01502-00	... Terminal, Male Nylon, Insulated Push On (18 AWG) (Amp # 2-520102-2)	2
N.S.	76-62308-00	Mating Connector and Parts for OEM Interface	1





**NOTE: Complete Wire Harnesses are Non-Stock Items. Replacement Components are Listed and can be cross referenced to supplier part number in manual T-375PL.**

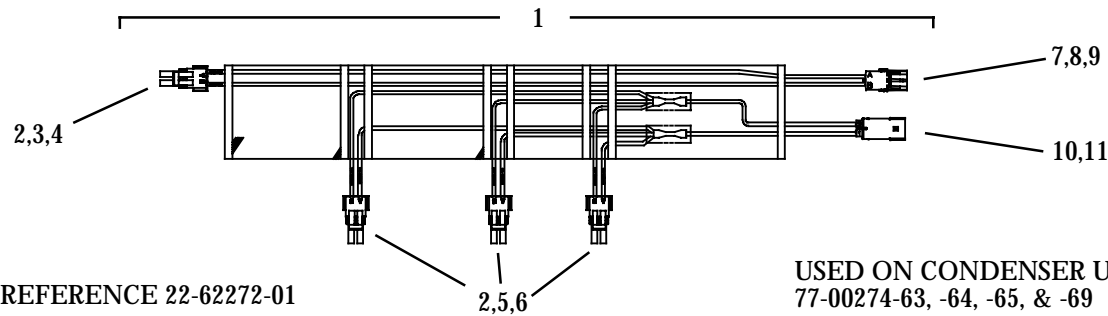
**1.2.7 CM-3, CONDENSER HARNESS 22-62272-00: OPTION 3**



USED ON CONDENSER UNITS  
 77-01288-00, -11, -20, -30, -40, -60, -61, -62 & -96  
 77-00274-00, -11, -20, -30, -35, -40, -60, -61 & -62

Item	Part Number	Description	Qty
1	-	Harness, Condenser - Includes:	<b>NSI</b>
2	22-02392-00	... Connector, Male 2 Pin (Packard # 12010973)	1
3	22-02393-01	... Terminal, Male (18 AWG) (Packard # 12089040)	2
4	22-02394-00	... Cable Seal (18 AWG) (Packard # 15324980)	2
5	22-50099-27	... Housing, Plug, 2 Pin (Molex # 19433-0014)	1
6	22-50099-27A	... Terminal, Male (8 AWG) (Molex # 19431-0017)	2
7	NSI	... Condenser Motor Harness	3
8	22-01502-00	... Terminal, Male, Insulated Push On (18 AWG) (Amp # 2-520102-2)	2
N/S	76-62308-00	Mating Connector and Parts for OEM Interface	1

**1.2.7 CM-3, CONDENSER HARNESS 22-62272-01: OPTION 4**



REFERENCE 22-62272-01

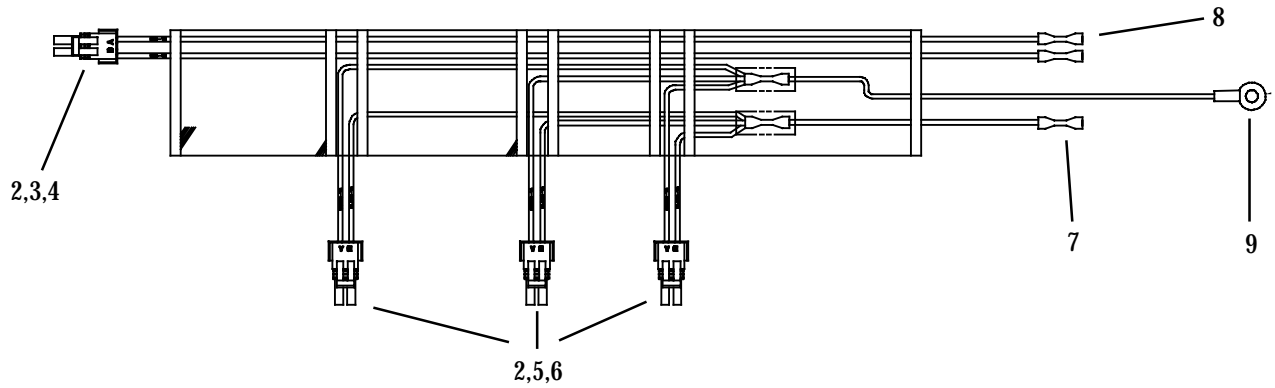
USED ON CONDENSER UNITS  
 77-00274-63, -64, -65, & -69

Item	Part Number	Description	Qty
1	-	Harness, Condenser - Includes:	<b>NSI</b>
2	22-01585-00	... Connector, Female, 2 -Way (Packard # 12015792)	4
3	22-01566-01	... Terminal, Female, 18-20 AWG (Packard # 12089188)	2
4	22-02394-02	... Seal, Cable (Packard # 15324982)	2
5	22-01566-00	... Terminal, Female, 14-16 AWG (Packard/Delphi # 12124580)	6
6	22-02394-00	... Seal, Cable (Packard # 15324980)	6
7	22-02392-00	... Connector, Male, WP, 2 Pin (Packard # 12010973)	1
8	22-02393-01	... Terminal, Male, 18 AWG (Packard # 12089040)	2
9	22-02394-00	... Cable Seal, 18 AWG (Packard # 15324980)	2
10	22-50099-27	... Connector, Male, Molex, 2 Pin (Molex # 19433-0014)	1
11	22-50099-27A	... Terminal, Male, 8 AWG (Molex # 19431-0017)	2



**NOTE: Complete Wire Harnesses are Non-Stock Items. Replacement Components are Listed and can be cross referenced to supplier part number in manual T-375PL.**

**1.2.7 CM-3, CONDENSER HARNESS , Y25-00079-00: OPTION 5**



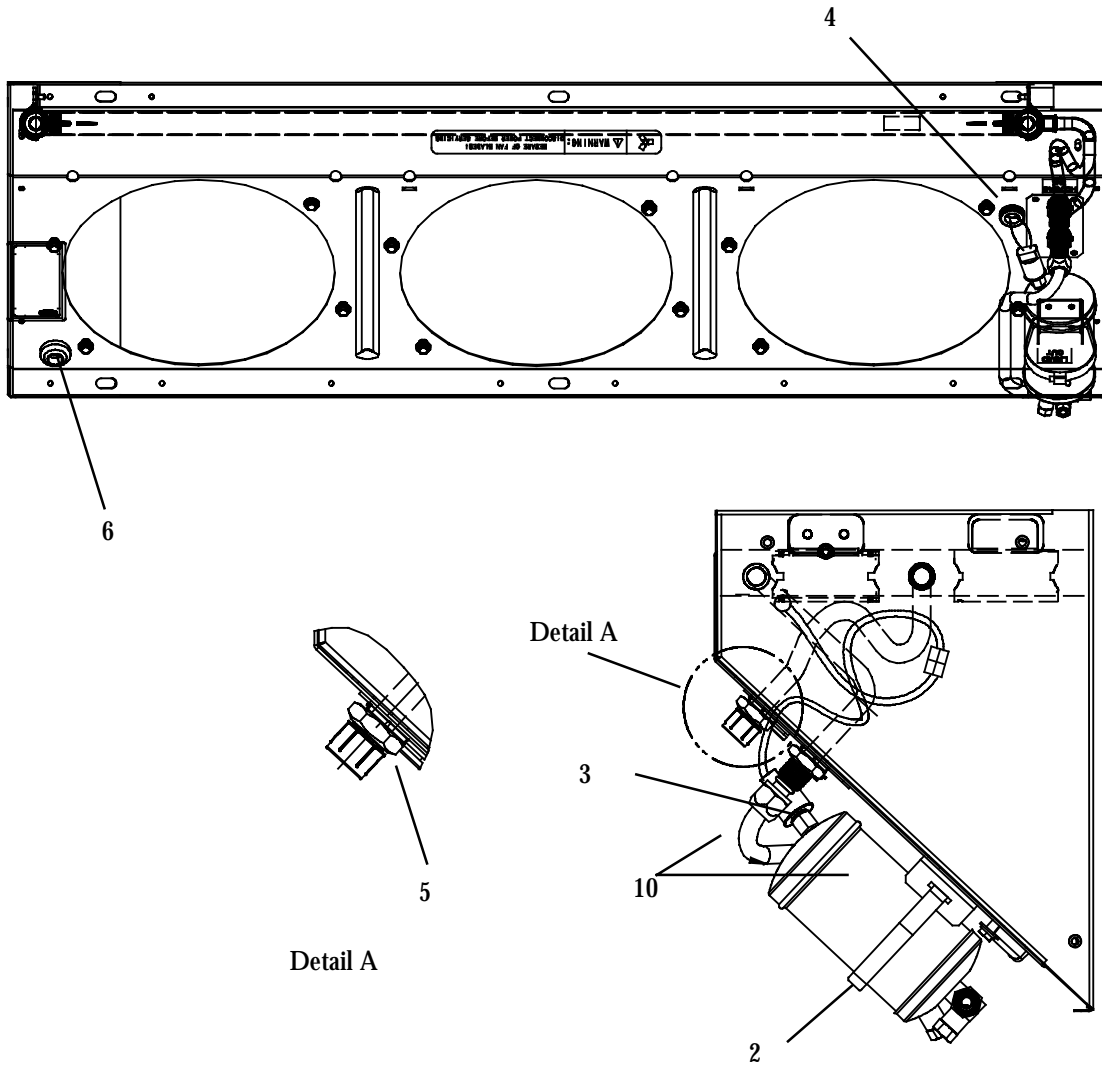
REFERENCE Y25-00079-00

USED ON UNITS 77-00274-66, -67, -68 & -70

Item	Part Number	Description	Qty
1	-	Harness, Condenser - Includes:	<b>NSI</b>
2	22-01585-00	... Connector, Female, 2 -Way (Packard # 12015792)	4
3	22-01566-01	... Terminal, Female, 18-20 AWG (Packard # 12089188)	2
4	22-02394-02	... Seal, Cable (Packard # 12010973)	2
5	22-01566-00	... Terminal, Female, 14-16 AWG (Packard/Delphi # 12124580)	6
6	22-02394-00	... Seal, Cable (Packard # 15324980)	6
7	N/A	... Butt Splice, W/Heat Shrink, 8 AWG, (Molex Part # 19164-0079)	1
8	N/A	... Butt Splice, W/Heat Shrink, 18 AWG, (Waytek Part # 30960)	2
9	N/A	... Ring Terminal, W/Heat Shrink, 8 AWG - ¼" Ring, (Molex Part # 19164-0081)	1



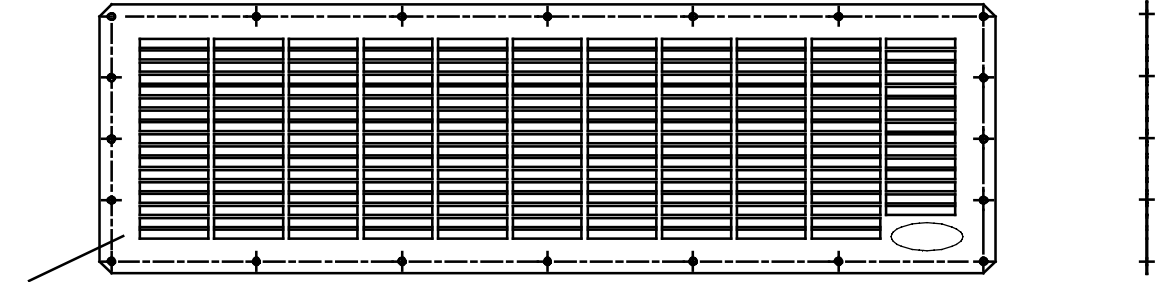
1.2.8 CONDENSER COIL REPLACEMENT KIT, CM-3 SLIM LINE, MICRO-CHANNEL (MCHX) : OPTION 1



Item	Part Number	Description	Qty
-	77-00250-50	CM-3 Service Chassis Kit - Includes:	1
1	65-00193-00	... Receiver, With Filter Drier	1
2	44-00045-19	... Clamp, Hose, Worm Type, Range: 2.56-3.50 Inches	1
3	AC201-414	... Switch, High Pressure, 400 - 300	1
4	58-04764-00	... Grommet, .25 ID x .84 Groove	1
5	34-06088-07	... Nut, Hex, Jam, 3/4-16	2
6	58-62019-00	... Bushing, Strain Relief	1



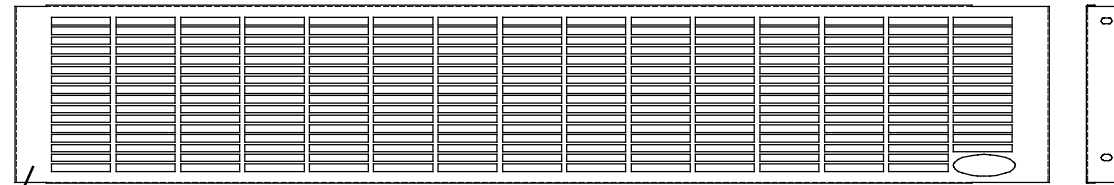
**1.2.9 CONDENSER, CM-3, MCHX, GRILL ASSEMBLY: OPTION 1**



Ref. Kit 77-01288-11 & -60  
 Ref. Kit 77-00274-11, -60, -63 & -66

Item	Part Number	Description	Qty
1	79-62014-33	. . . Grill, Skirt Mounted, (Black Smooth)	1
	79-62014-36	. . . Grill, Skirt Mounted, (White Textured) <b>"INACTIVE"</b>	1

**1.2.9 CONDENSER, CM-3, MCHX, GRILL ASSEMBLY (CHASSIS MOUNTED): OPTION 2**

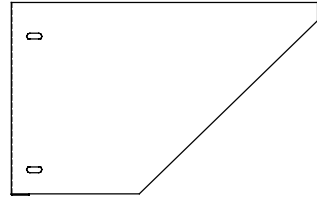
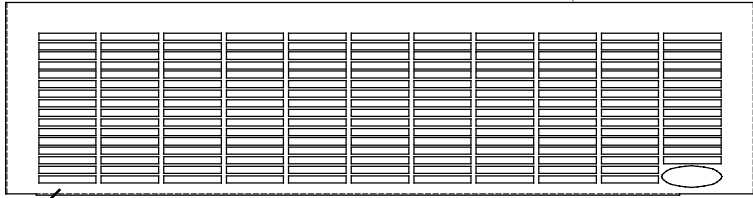


Ref. Kit 77-01288-20, -30 & 61  
 Ref. Kit 77-00274-20, -30, -61, -64 & -67

Item	Part Number	Description	Qty
1	79-62014-30	. . . Grill, Condenser, Black Texture	1



**1.2.9 CONDENSER, CM-3, MCHX, GRILL ASSEMBLY (CHASSIS MOUNTED): OPTION 3**

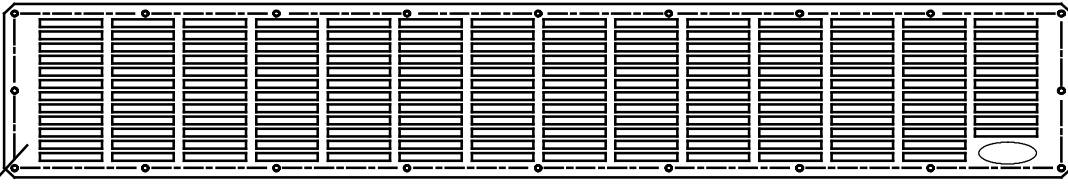


1

Ref. Kit 77-01288-21 "INACTIVE"

Item	Part Number	Description	Qty
1	79-62014-35	. . . Wrapper, Condenser, White	1

**1.2.9 CONDENSER, CM-3, MCHX, GRILL ASSEMBLY: OPTION 4**

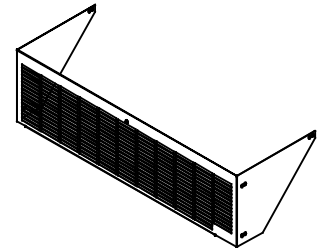
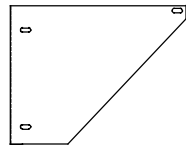
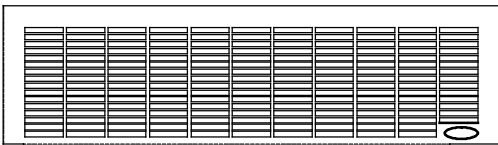


1

Ref. Kit 77-01288-40 & -62  
Ref. Kit 77-00274-40, -62, -65 & -68

Item	Part Number	Description	Qty
1	79-62014-34	. . . Grill, Black, Textured	1

**1.2.9 CONDENSER, CM-3, MCHX, GRILL ASSEMBLY: OPTION 5**



1

Ref. Kit 77-00274-21 & -22

Reference Only

Item	Part Number	Description	Qty
1	79-62014-30	. . . Wrapper, Condenser, Black	1



**OPTION TABLE CM3 SEVERE DUTY, 12V, Y19-CM301 UNITS**

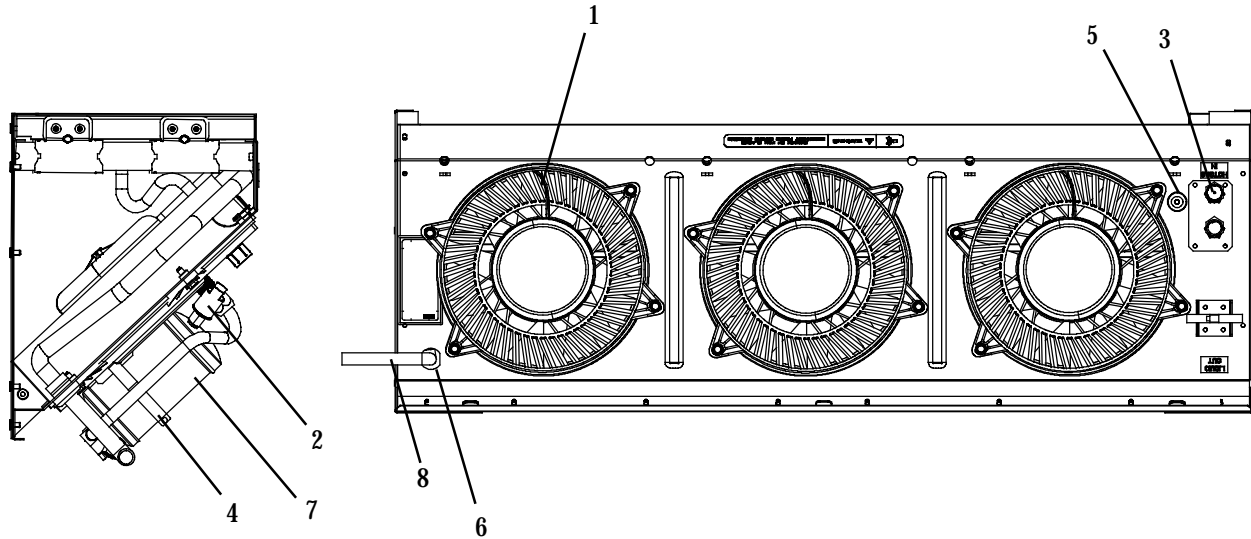
<b>MODEL CM3 MCHX (Top Level) Y19-CM301-XX</b>	<b>Chassis Kit (See Section 1.2.10)</b>	<b>Elec. Harness (See Section 1.2.11)</b>	<b>Grill (See Section 1.2.12)</b>	<b>Notes</b>
-00	1	1	-	12 VDC
-11	1	1	1	12 VDC
-12	1	1	1	12 VDC
-16	1	2	-	12 VDC
-20	1	1	2	12 VDC
-35	1	1	2	12 VDC
-40	1	1	4	12 VDC

**OPTION TABLE CM3 SEVERE DUTY, 24V, Y19-CM302 UNITS**

<b>MODEL CM3 MCHX (Top Level) Y19-CM302-XX</b>	<b>Chassis Kit (See Section 1.2.10)</b>	<b>Elec. Harness (See Section 1.2.11)</b>	<b>Grill (See Section 1.2.12)</b>	<b>Notes</b>
-00	1	1	-	24 VDC
-11	1	1	3	24 VDC
-20	1	1	2	24 VDC
-40	1	1	4	24 VDC



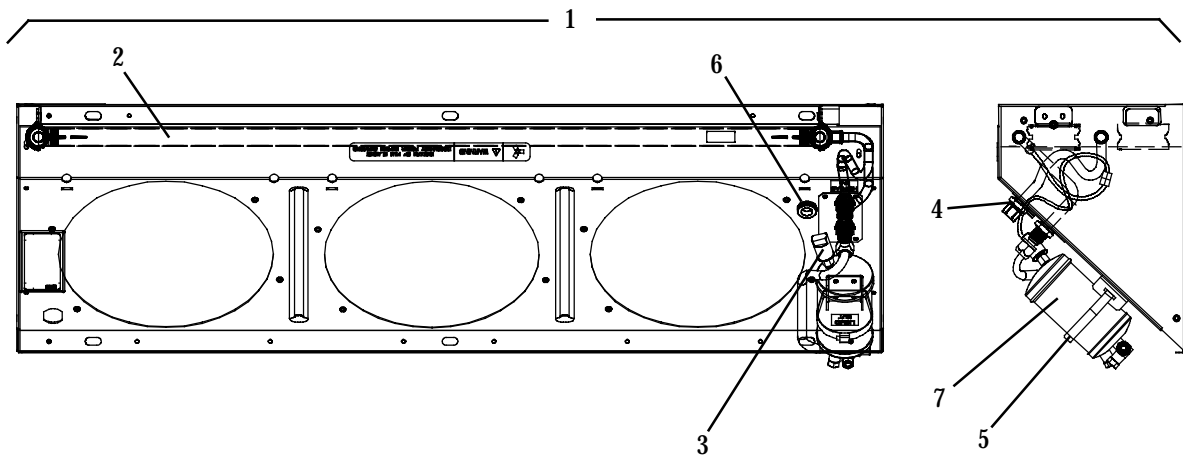
**1.2.10 CONDENSER, CM-3 SEVERE DUTY MCHX (E-Coated), CHASSIS KIT (12V & 24V) COMMON PARTS**



Item	Part Number	Description	Qty
1	54-00618-03	Fan & Motor Assembly, 11" Vector, 12VDC W/Fuse; Includes:	3
	22-02336-25	. . . Fuse, 20A	1
	54-00618-05	Fan & Motor Assembly, 11" Vector, 24VDC W/Fuse; Includes:	3
	22-02336-24	. . . Fuse, 15A (Littlefuse # 297015)	1
2	12-00299-23	Switch, Pressure (Opens 390-410 psig - Close 290-310 psig)	1
3	34-06088-07	Nut, #8 ORS	2
4	44-00045-19	Clamp, Hose	1
5	58-04764-00	Grommet, Boot Type	1
6	58-62019-00	Bushing, Strain Relief	1
7	65-00193-00	Receiver/Filter Drier	1
8	Y25-00079-00	Harness, CM-3, Butt Splice Interface (See Section 1.2.11)	<b>NSI</b>
N/S	40-64075-52	Fitting, 90°, #8 F.O.R X #8 Hose FlexClik (Used on Y19-CM301-12)	1
N/S	40-64075-53	Fitting, 90°, #8 F.O.R X #10 Hose FlexClik (Used on Y19-CM301-12)	<b>NSI</b>



**1.2.10 CONDENSER, CM-3 SEVERE DUTY MCHX, SERVICE REPLACEMENT CHASSIS (12V & 24V)**



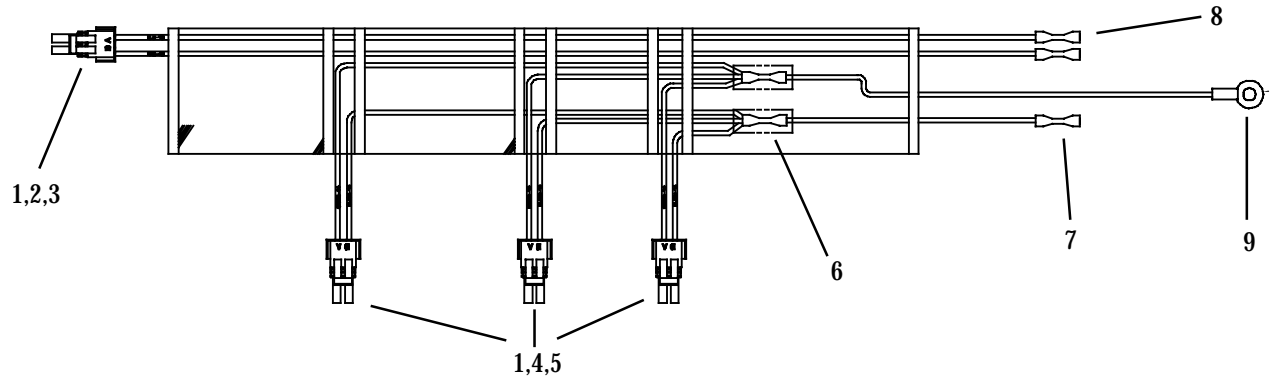
Item	Part Number	Description	Qty
1	Y74-CM301-50	Replacement Chassis Kit: Includes	1
2	NSS	... Coil, Condenser, MCHX (E-Coating)	1
3	12-00299-23	... Switch, Pressure (Opens 390-410 psig - Close 290-310 psig)	1
4	34-06088-07	... Nut, #8 ORS	2
5	44-00045-19	... Clamp, Hose	1
6	58-04764-00	... Grommet, Boot Type	1
7	65-00193-00	... Receiver/Filter Drier	1





**NOTE: Complete Wire Harnesses are Non-Stock Items. Replacement Components are Listed and can be cross referenced to supplier part number in manual T-375PL.**

**1.2.11 CM-3, CONDENSER HARNESS , SEVERE DUTY MCHX, 12 & 24 VDC OPTION 1**

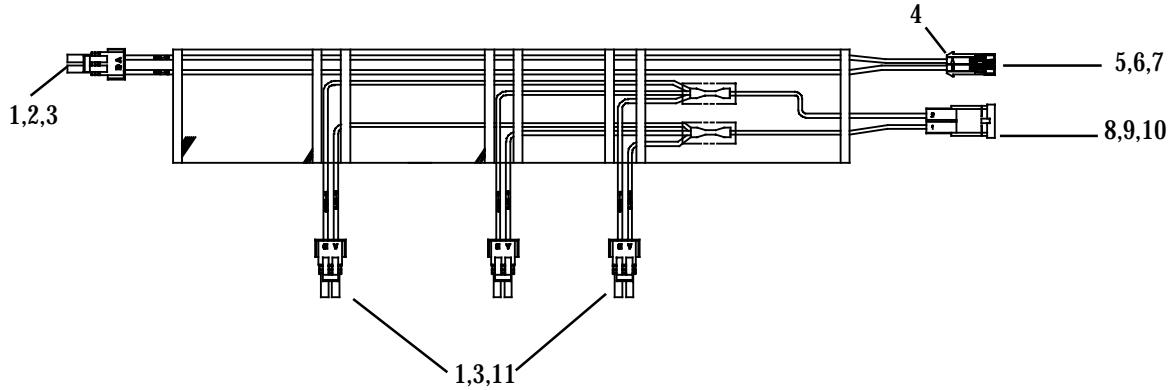


Item	Part Number	Description	Qty
1	22-01585-00	... Connector, Female, 2 -Way (Packard/Delphi # 12015792)	4
2	22-01566-01	... Terminal, Female, 18-20 AWG (Packard # 12015378)	2
3	22-02394-02	... Seal, Cable (Packard # 15324982)	2
4	22-01566-00	... Terminal, Female, 14-16 AWG (Packard/Delphi # 12124580)	6
5	22-02394-00	... Seal, Cable (Packard # 15324980)	6
6	N/A	... Butt Connector, Step Down, 12-10 AWG W/Heat Shrink	2
7	N/A	... Butt Splice, W/Heat Shrink, 8 AWG	1
8	N/A	... Butt Splice, W/Heat Shrink, 18 AWG	2
9	N/A	Ring Terminal, W/Heat Shrink, 8 AWG - ¼" Ring	1



**NOTE: Complete Wire Harnesses are Non-Stock Items. Replacement Components are Listed and can be cross referenced to supplier part number in manual T-375PL.**

**1.2.11 CM-3, CONDENSER HARNESS , SEVERE DUTY MCHX, 12 & 24 VDC OPTION 2**

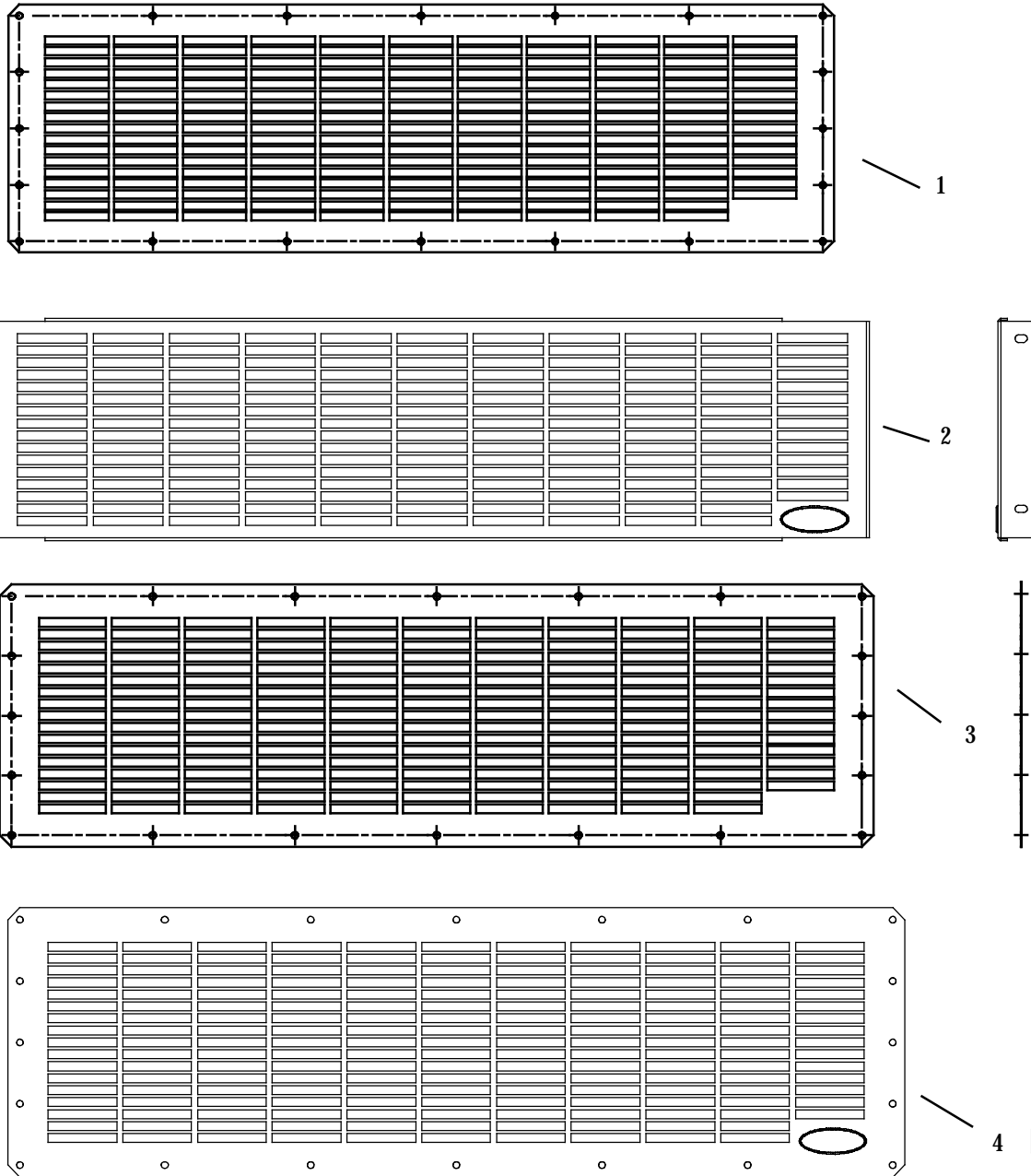


REFERENCE: Y25-00202-00

Item	Part Number	Description	Qty
1	22-01585-00	... Connector, Female, 2 -Way (Packard/Delphi # 12015792)	4
2	22-01566-01	... Terminal, Female, 18-20 AWG (Packard # 12015378)	2
3	22-02394-02	... Seal, Cable (Packard # 15324982)	4
4	22-50078-72A	... Terminal Position, TPA (Packard P/N 12052634)	1
5	22-50078-00	... Connector, Male, (Packard P/N 12162000)	1
6	22-50078-46A	... Terminal, Male, 18 AWG (Packard P/N 12045773)	2
7	31-1314	... Cable Seal, 18 AWG (Packard/Delphi P/N 12048086)	2
8	22-50098-67	... Connector, 2 Pin Black (Tyco P/N 1544334-1)	1
9	22-50098-67B	... Terminal, Male, 8 AWG (Tyco P/N 1544333-1)	2
10	22-50098-67D	... Cable Seal, (Tyco P/N 1544316-2)	2
11	22-01566-00	... Terminal, Female 14-16 AWG (Packard P/N 12124580)	6



1.2.12 CONDENSER, CM3 SEVERE DUTY, GRILLE, OPTIONS 1, 2 & 3



Item	Part Number	Description	Qty
1	79-62014-23	Grille Assembly, BLK TXT MTD (Grille mounted): <b>OPTION 1</b>	1
2	79-62014-30	Grille Assembly, BLK Skirt <b>OPTION 2</b>	1
3	79-62014-33	Grille (Skirt Mounted) BLK Smooth: <b>OPTION 3</b> (was 68-08121-01)	1
4	79-62014-34	Grille Assembly, BLK TXT <b>OPTION 4</b>	1



**OPTION TABLE CM3 SEVERE DUTY, HD FIN, 12V, Y19-CM303 UNITS**

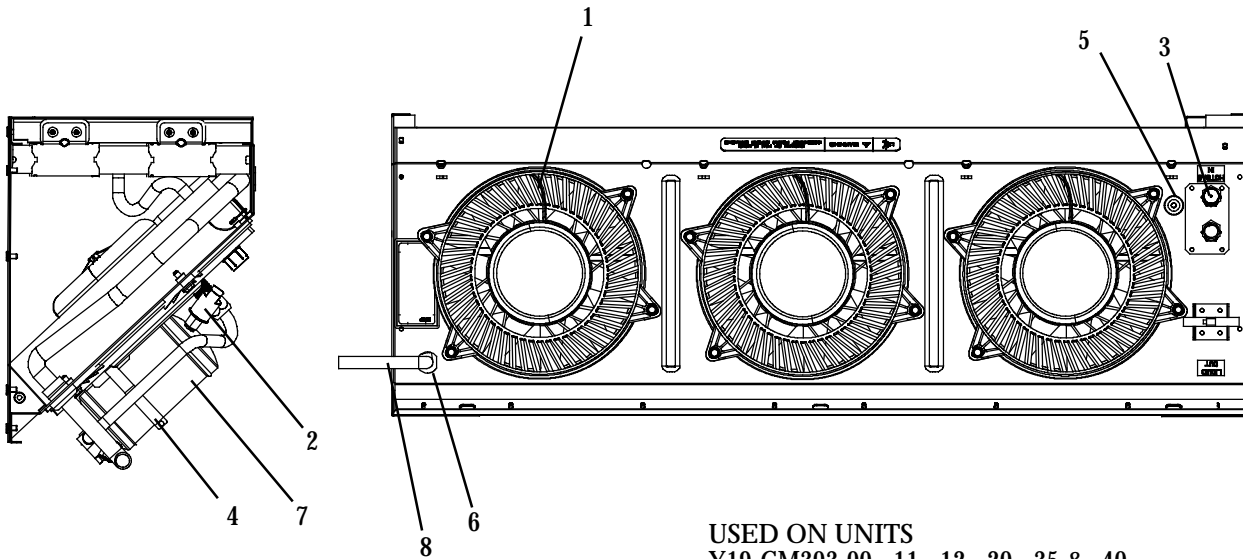
<b>MODEL CM3 MCHX (Top Level) Y19-CM303-XX</b>	<b>Chassis Kit (See Section 1.2.13)</b>	<b>Elec. Harness (See Section 1.2.14)</b>	<b>Grill (See Section 1.2.15)</b>	<b>Notes</b>
-00	1	1	-	12 VDC
-11	1	1	2	12 VDC
-12	1	1	2	12 VDC
-20	1	1	1	12 VDC
-35	1	1	1	12 VDC
-40	1	1	3	12 VDC

**OPTION TABLE CM3 SEVERE DUTY, HD FIN, 24V, Y19-CM304 UNITS**

<b>MODEL CM3 MCHX (Top Level) Y19-CM304-XX</b>	<b>Chassis Kit (See Section 1.2.13)</b>	<b>Elec. Harness (See Section 1.2.14)</b>	<b>Grill (See Section 1.2.15)</b>	<b>Notes</b>
-00	1	2	-	24 VDC
-01	1	2	1	24 VDC
-11	1	3	2	24 VDC
-12	1	2	1	24 VDC
-20	1	3	2	24 VDC
-21	1	2	1	24 VDC
-40	1	3	3	24 VDC
-41	1	2	2	24 VDC



**1.2.13 CONDENSER, CM-3 SEVERE DUTY MCHX (Heavy Duty Fins), CHASSIS KIT (12V) COMMON PARTS**



USED ON UNITS  
Y19-CM303-00, -11, -12, -20, -35 & -40

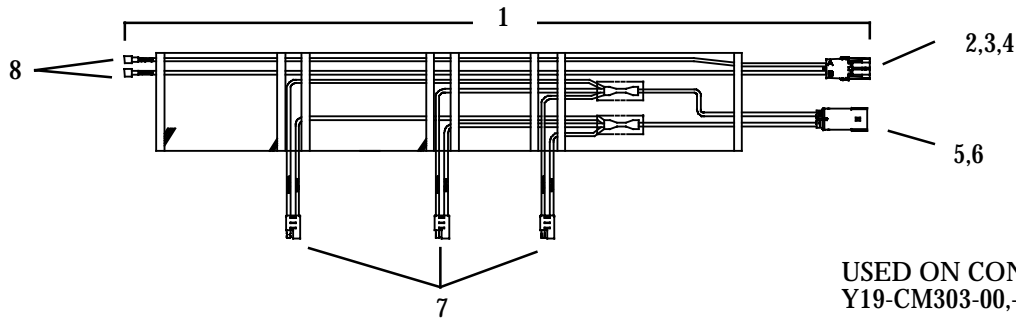
REFERENCE CHASSIS KITS Y74-CM303-02 & -03

Item	Part Number	Description	Qty
1	54-00618-01	Fan & Motor Assembly, 11" Vector, 12VDC W/Fuse; Includes:	3
	22-02336-25	. . . Fuse, 20A	1
2	AC201-414	Switch, Pressure (Opens 400 psig)	1
3	34-06088-07	Nut, #8 ORS	2
4	44-00045-19	Clamp, Hose	1
5	58-04764-00	Grommet, Boot Type	1
6	58-62019-00	Bushing, Strain Relief	1
7	65-00193-00	Receiver/Filter Drier	1
8	22-62272-00	Harness, CM-3, Butt Splice Interface	<b>NSI</b>



**NOTE: Complete Wire Harnesses are Non-Stock Items. Replacement Components are Listed and can be cross referenced to supplier part number in manual T-375PL.**

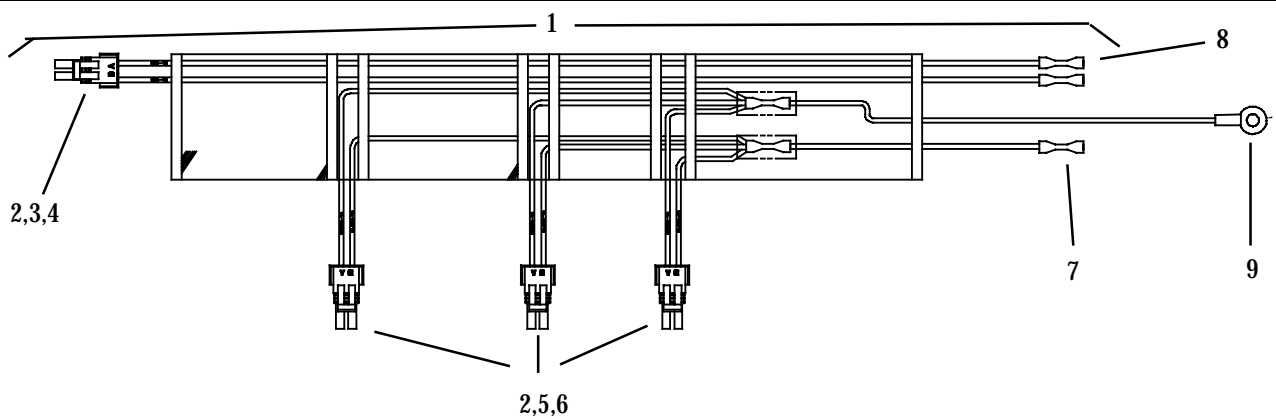
**1.2.14 CM-3, CONDENSER HARNESS 22-62272-00: Option 1**



USED ON CONDENSER UNITS  
Y19-CM303-00,-11,-12,-20,-35, & -40

Item	Part Number	Description	Qty
1	-	Harness, Condenser - Includes:	<b>NSI</b>
2	22-02392-00	... Connector, Male 2 Pin (Packard # 12010973)	1
3	22-02393-01	... Terminal, Male (18 AWG) (Packard # 12089040)	2
4	22-02394-00	... Cable Seal (18 AWG) (Packard # 15324980)	2
5	22-50099-27	... Housing, Plug, 2 Pin (Molex # 19433-0014)	1
6	22-50099-27A	... Terminal, Male (8 AWG) (Molex # 19431-0017)	2
7	NSI	... Condenser Motor Harness	3
8	22-01502-00	... Terminal, Male, Insulated Push On (18 AWG) (Amp # 2-520102-2)	2
N/S	76-62308-00	Mating Connector and Parts for OEM Interface	1

**1.2.14 CM-3, CONDENSER HARNESS , Y25-00079-00: OPTION 2**



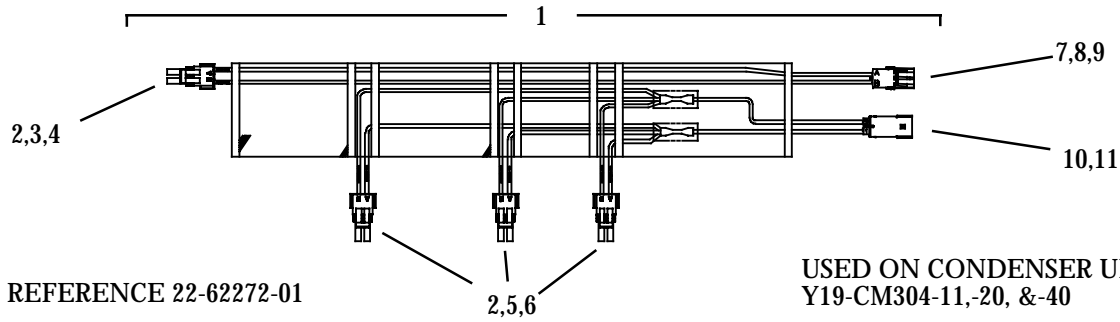
REFERENCE Y25-00079-00

USED ON UNITS: Y19-CM304-00,-01,-12,-21, & -41

Item	Part Number	Description	Qty
1	-	Harness, Condenser - Includes:	<b>NSI</b>
2	22-01585-00	... Connector, Female, 2 -Way (Packard # 12015792)	4
3	22-01566-01	... Terminal, Female, 18-20 AWG (Packard # 12089188)	2
4	22-02394-02	... Seal, Cable (Packard # 12010973)	2
5	22-01566-00	... Terminal, Female, 14-16 AWG (Packard/Delphi # 12124580)	6
6	22-02394-00	... Seal, Cable (Packard # 15324980)	6
7	N/A	... Butt Splice, W/Heat Shrink, 8 AWG, (Molex Part # 19164-0079)	1
8	N/A	... Butt Splice, W/Heat Shrink, 18 AWG, (Waytek Part # 30960)	2
9	N/A	... Ring Terminal, W/Heat Shrink, 8 AWG - ¼" Ring, (Molex Part # 19164-0081)	1



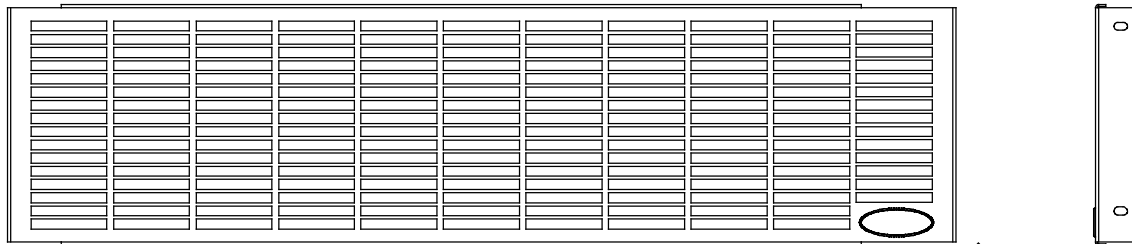
**1.2.14 CM-3, CONDENSER HARNESS 22-62272-01: OPTION 3**



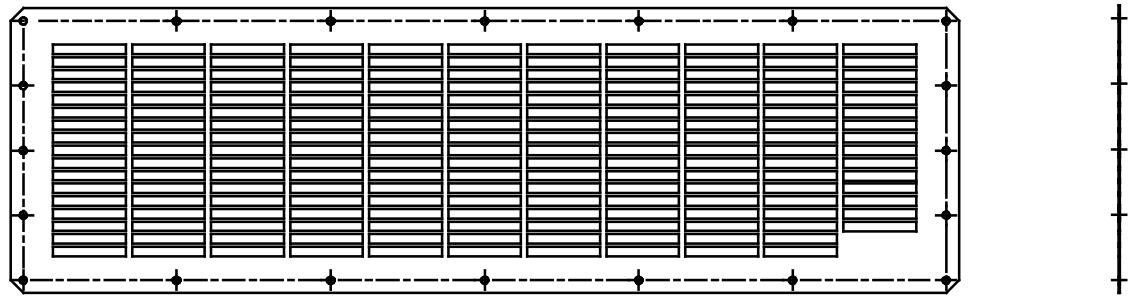
Item	Part Number	Description	Qty
1	-	Harness, Condenser - Includes:	<b>NSI</b>
2	22-01585-00	... Connector, Female, 2 -Way (Packard # 12015792)	4
3	22-01566-01	... Terminal, Female, 18-20 AWG (Packard # 12089188)	2
4	22-02394-02	... Seal, Cable (Packard # 15324982)	2
5	22-01566-00	... Terminal, Female, 14-16 AWG (Packard/Delphi # 12124580)	6
6	22-02394-00	... Seal, Cable (Packard # 15324980)	6
7	22-02392-00	... Connector, Male, WP, 2 Pin (Packard # 12010973)	1
8	22-02393-01	... Terminal, Male, 18 AWG (Packard # 12089040)	2
9	22-02394-00	... Cable Seal, 18 AWG (Packard # 15324980)	2
10	22-50099-27	... Connector, Male, Molex, 2 Pin (Molex # 19433-0014)	1
11	22-50099-27A	... Terminal, Male, 8 AWG (Molex # 19431-0017)	2



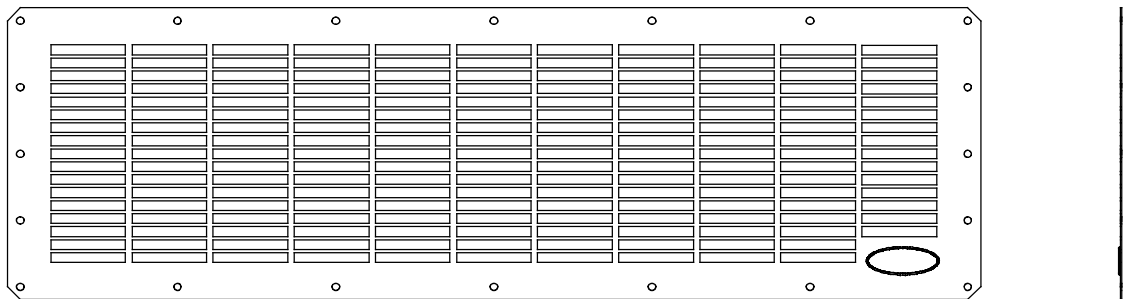
1.2.15 CONDENSER, CM3 SEVERE DUTY, GRILLE, OPTIONS 1,2 & 3



1



2



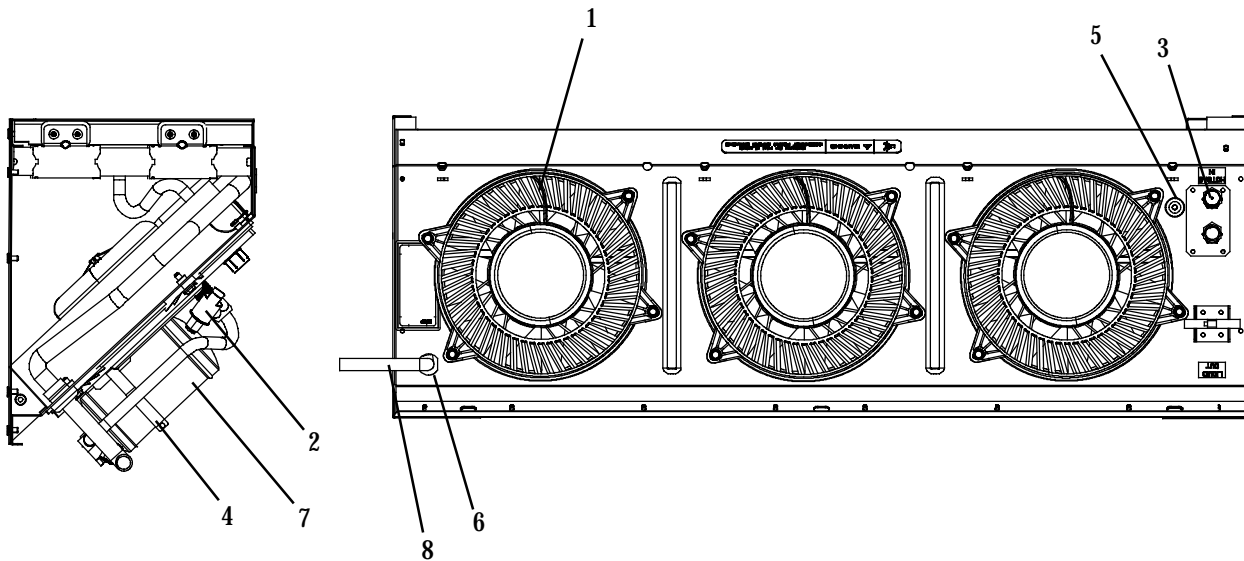
3

Item	Part Number	Description	Qty
1	79-62014-30	Grille Assembly, BLK TXT MTD (Grille mounted): <b>OPTION 1</b>	1
2	79-62014-33	Grille, (Skirt Mounted) BLK Smooth: <b>OPTION 2</b> (was 68-08121-01)	1
3	79-62014-34	Grille Assembly, BLK TXT Short (Skirt mounted): <b>OPTION 3</b>	1





**1.2.16 CONDENSER, CM-3 SEVERE DUTY MCHX (Heavy Duty Fins), CHASSIS KIT (24V) COMMON PARTS**



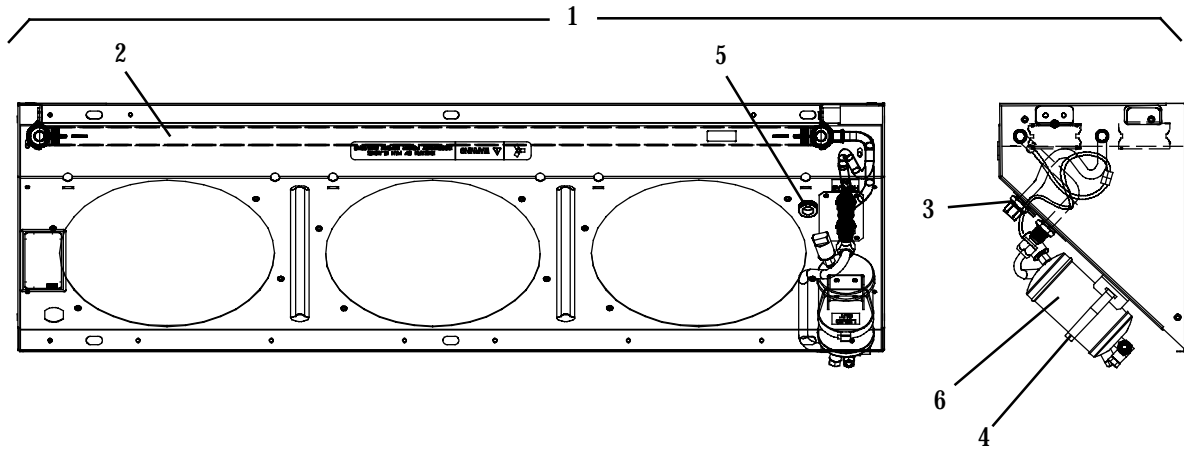
USED ON UNITS  
Y19-CM304-00, -01, -11, -12, -20, -21 & -40

REFERENCE CHASSIS KITS Y74-CM304-00, -01, -02 & -03

Item	Part Number	Description	Qty
1	54-00618-05	Fan & Motor Assembly, 11" Vector, 24VDC W/Fuse; Includes:	3
	22-02336-24	. . . Fuse, 15A (Littlefuse # 297015)	1
2	12-00299-23	Switch, Pressure (Opens 390-410 psig)	1
3	34-06088-07	Nut, #8 ORS	2
4	44-00045-19	Clamp, Hose	1
5	58-04764-00	Grommet, Boot Type	1
6	58-62019-00	Bushing, Strain Relief	1
7	65-00193-00	Receiver/Filter Drier	1
8	22-62272-00	Harness, CM-3, ( <b>See Section 1.2.7</b> )	<b>NSI</b>
	Y25-00079-00	Harness, CM-3, Butt Splice Interface ( <b>See Section 1.2.11</b> )	<b>NSI</b>



1.2.14 CONDENSER, CM-3 SEVERE DUTY MCHXX (Severe Duty Fins) , SERVICE REPLACEMENT CHASSIS



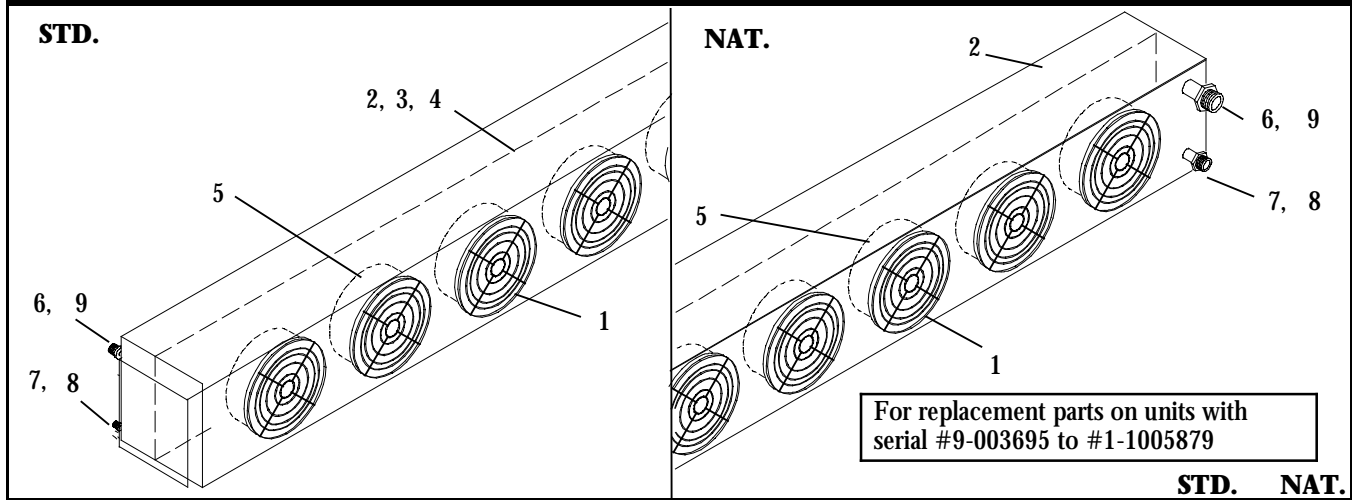
USED ON ALL Y19-CM303 and Y19-CM304 UNITS

Item	Part Number	Description	Qty
1	Y19-CM303-50	Replacement Chassis Kit: Includes (was Y74-CM303-50)	1
2	NSS	... Coil, Condenser, MCHX (E-Coating)	1
3	34-06088-07	... Nut, #8 ORS	2
4	44-00045-19	... Clamp, Hose	1
5	58-04764-00	... Grommet, Boot Type	1
6	65-00193-00	... Receiver/Filter Drier	1



**SECTION 1.3 CM-5 CONDENSER**

**1.3.1 CONDENSER, CM-5**

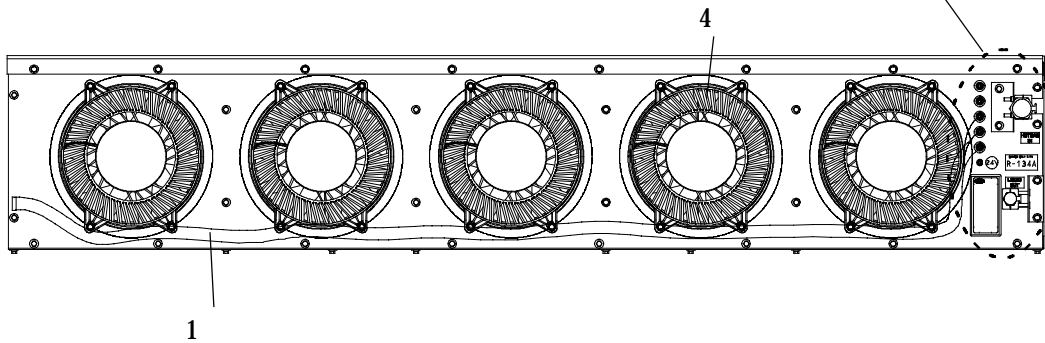
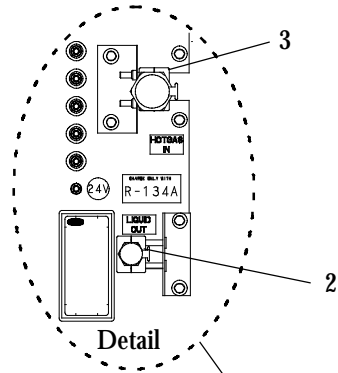
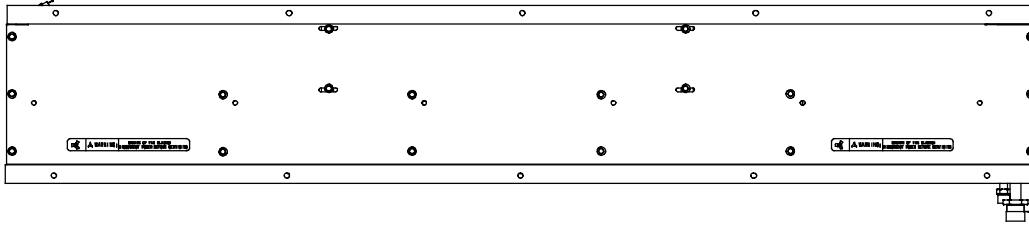


Item	Part Number	Description	STD.	NAT.
			Qty	Qty
1	AC030-234	Guard, Fan	5	5
2	AC030-340	Coil Assembly	N/A	N/A
	81-62062-00	Coil Assembly - Includes: (Same as YC-81-62062-00)	1	N/A
3	08-62005-00	... Coil (SS to 81-62062-00)	N/A	N/A
4	14-00029-07	... Check Valve	1	N/A
N/S	22-02336-06	Fuse, 15 AMP (Littlefuse # 257015)	5	5
N/S	22-50078-23	Cover, Fuse (Packard/Delphi # 12033731)	5	5
N/S	22-50078-22	Holder, Fuse (Packard/Delphi # 12033769)	5	5
N/S	22-50078-49L	Terminal, Fuse (Packard # 12066614)	10	10
5	AC030-313	Assembly, Fan, 12 VDC (SS to 54-00618-01)	5	N/A
	AC030-314	Assembly, Fan, 24 VDC (SS to 54-00618-02)	5	N/A
	AC030-315	Assembly, Fan, 24 VDC, (2-Speeds)	N/A	N/A
N/S	10-00300-00	Solenoid, (Normally Open)	N/A	1
N/S	12-00299-11	Switch, Pressure-CFS/R134a	N/A	1
N/S	12-01132-00	Switch, Temperature (LATH)	1	N/A
6	40-00491-00	Fitting, ORS, (Discharge)	1	1
7	40-00491-09	Fitting, ORS, (Liquid)	1	1
N/S	AC201-615	Resistor, .25 OHM, With Mounting Brackets	N/A	1
8	42-00243-00	O-Ring, ORS, #16	1	1
9	42-00243-03	O-Ring, ORS, #10	1	1



1.3.2 CONDENSER, CM-5, FRONT and TOP VIEWS, 77-62001-00, -01 & -02

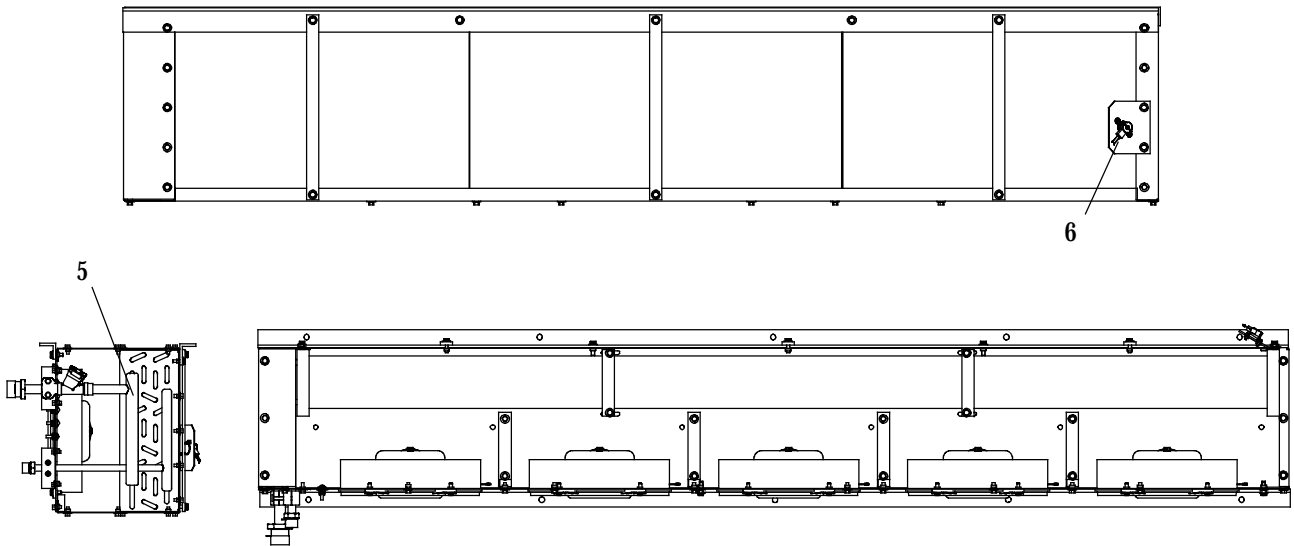
Top Panel Reference



Item	Part Number	Description	Qty
1	22-62012-00	Wire Harness, CM5 (See Section 1.3.4)	NSI
2	44-00285-82	Clamp, Tube, 5/8 in. O.D.	1
3	44-00285-83	Clamp, Tube, 7/8 in. O.D.	1
4	54-00618-02	Fan and Motor, 11 in. Vector, 24V W/Fuse	5



1.3.3 CONDENSER, CM-5, BACK, SIDE and BOTTOM VIEWS, 77-62001-00 , -01 & -02

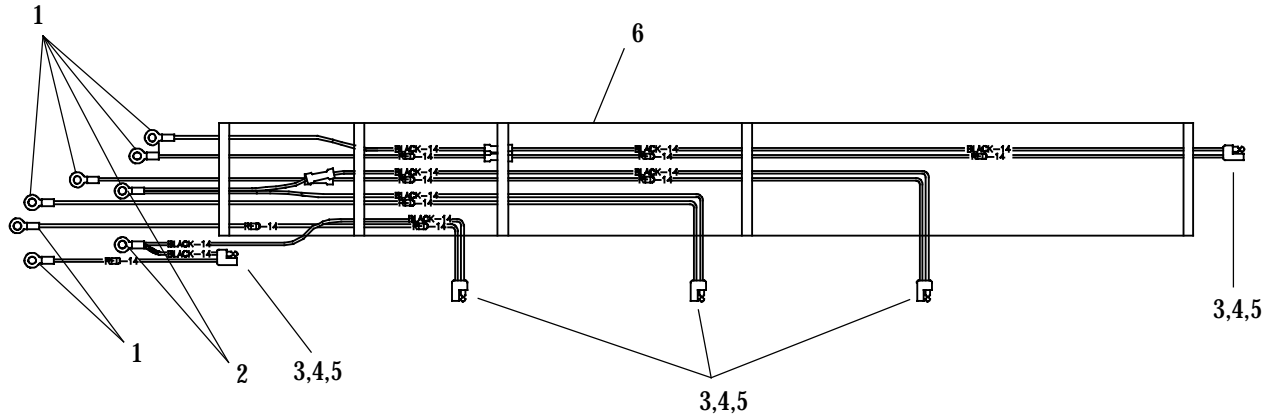


Item	Part Number	Description	Qty
5	YC-81-62062-00	Coil Assembly - Includes: (was 81-62062-00)	1
	81-62062-00	. . . Coil (was 08-62005-00)	1
	14-00029-07	. . . Discharge Check Valve	1
6	12-01132-00	Switch, Temperature	1



**NOTE: Complete Wire Harnesses are Non-Stock Items. Replacement Components are Listed and can be cross referenced to supplier part number in manual T-375PL.**

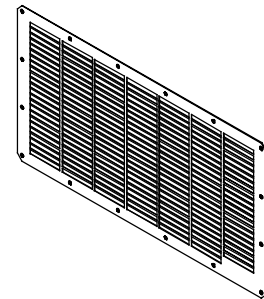
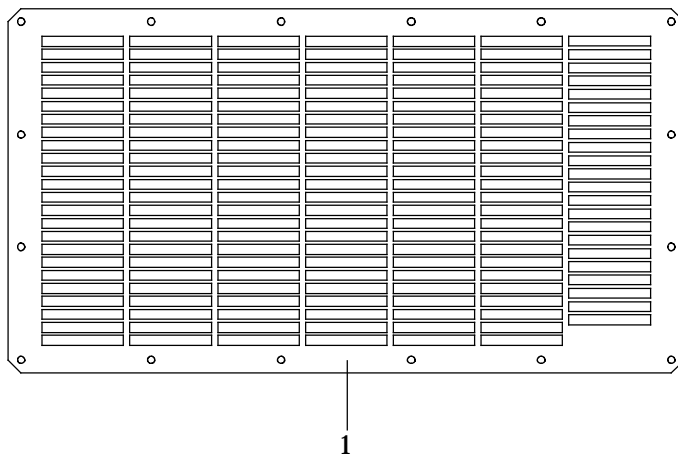
**1.3.4 CONDENSER, CM-5, HARNESS ASSEMBLY - 22-62012-00**



Used with CM5 Part # 77-62001-00

Item	Part Number	Description	Qty
1	-	Terminal, Ring ¼" Ring, 16-14 AWG (TE Connectivity # 2-34162-1)	6
2	-	Terminal, Ring ¼" Ring, 12-10 AWG (TE Connectivity # 2-35345-1)	2
3	-	Connector, Male, Push On (Alphabet # 10970371 KDX-69)	5
4	-	Connector, Male, Push On (APTIV # 15518316)	5
5	-	Connector, Male, Push On (APTIV # 15518441)	5
6	58-00850-00	Split Loom, 1 in., Black	1

**1.3.5 CONDENSER, CM-5, SKIRT MOUNTED GRILL**

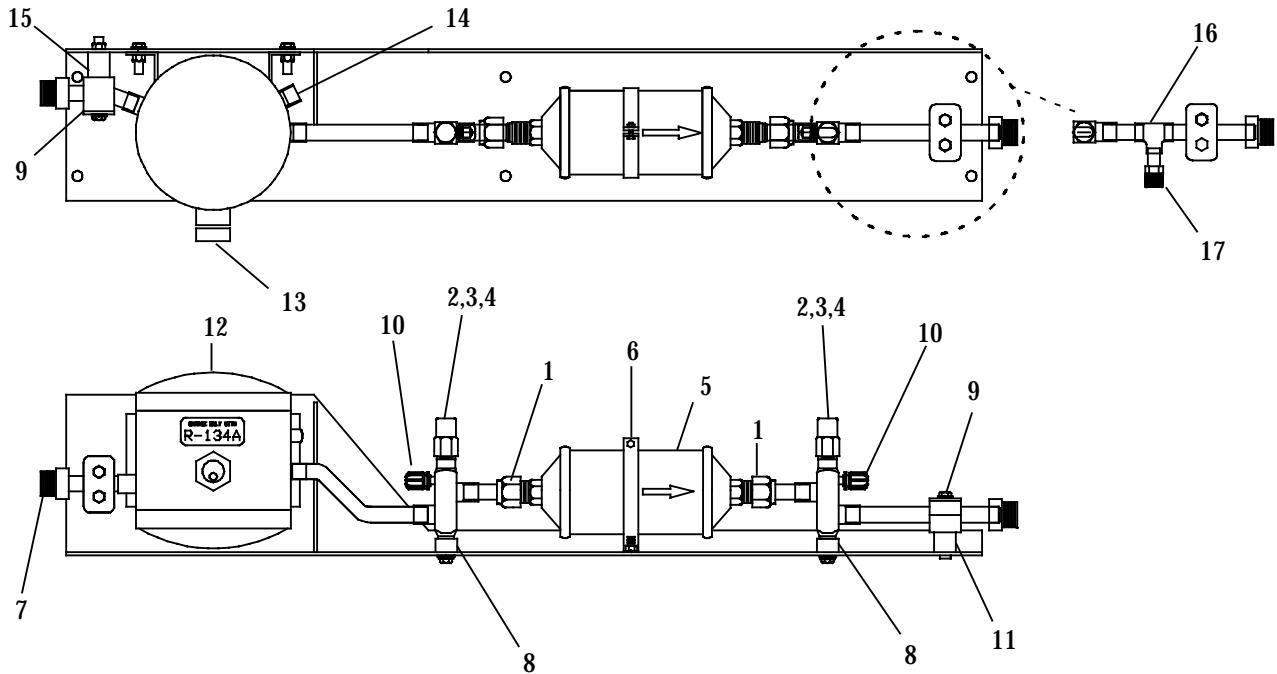


Reference Only

Item	Part Number	Description	Qty
1	79-62014-50	... Grill, Condenser, SKT Mounted, 26 in. X 14 in. (was 68-62071-00)	3



1.3.6 LIQUID LINE ASSEMBLY, CM-5, CM-14, & C4RE, (REMOTE)



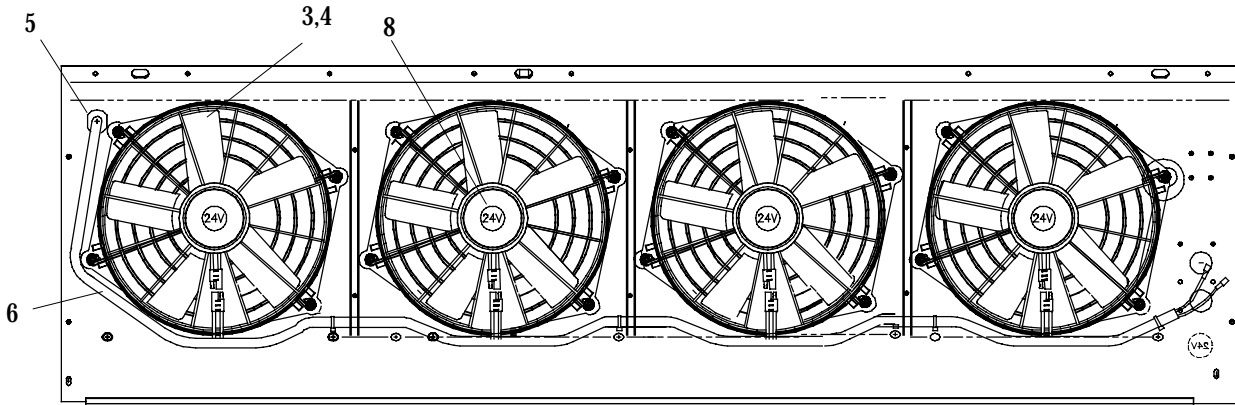
Ref: 81-62003-00

Item	Part Number	Description	Qty
1	40-00097-10	Nut, Flare, 5/8 Short	2
2	40-00501-05	Valve, King	2
3	14-00351-00	. . . Core, Schrader Valve	2
4	40-00501-50	. . . Cap, King Valve, Service Part	2
5	14-00200-00	Filter Drier, 41 Cubic Inch	1
6	AC701-243	Clamp, Conduit, 3 Inch, SST	1
7	40-00491-09	Fitting, 5/8 ODF x 1.00 ORS	2
8	AC601-609	Spacer, 7/8 X 1/2 X 9/16 Inch	2
9	44-00285-82	Clamp, Tube, 5/8 OD	2
10	40-00501-50	Cap, King Valve, Service Part	2
11	AC601-615	Spacer, 7/8 X 1/2 X 15/16 Inch	<b>NSI</b>
12	65-01035-01	Receiver Assembly	1
13	Y26-00079-00	Sightglass, Moisture Indicator, 7/8-14 (was AC101-203)	1
14	14-01032-01	Plug, Fusible, 3/8 MPT	1
15	AC601-618	Spacer, 7/8 X 1/2 X 1-1/8 Inch	<b>NSI</b>
16	40-00169-33	Tee, Reducing, 5/8 X 5/8 X 1/2 , (C4RE Only)	1
17	40-62032-02	Nut, Swivel Fitting, #8 MIO X 1/2 Tube, (C4RE Only)	1

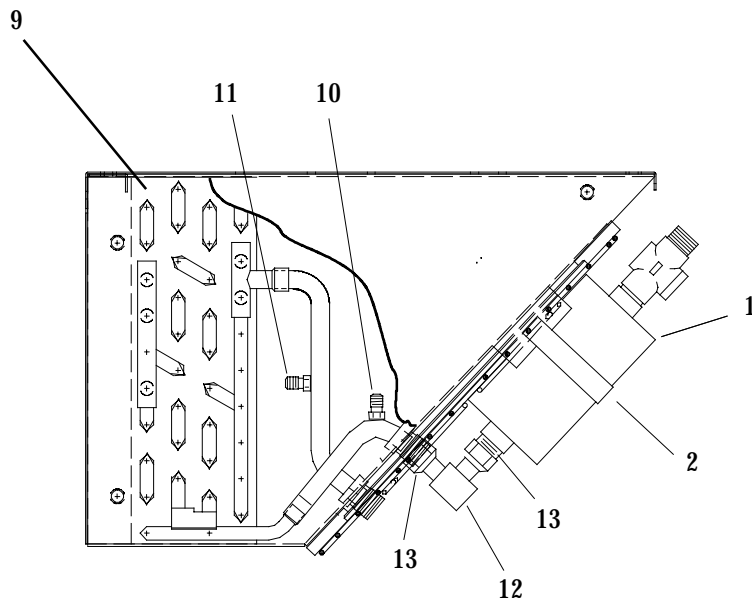
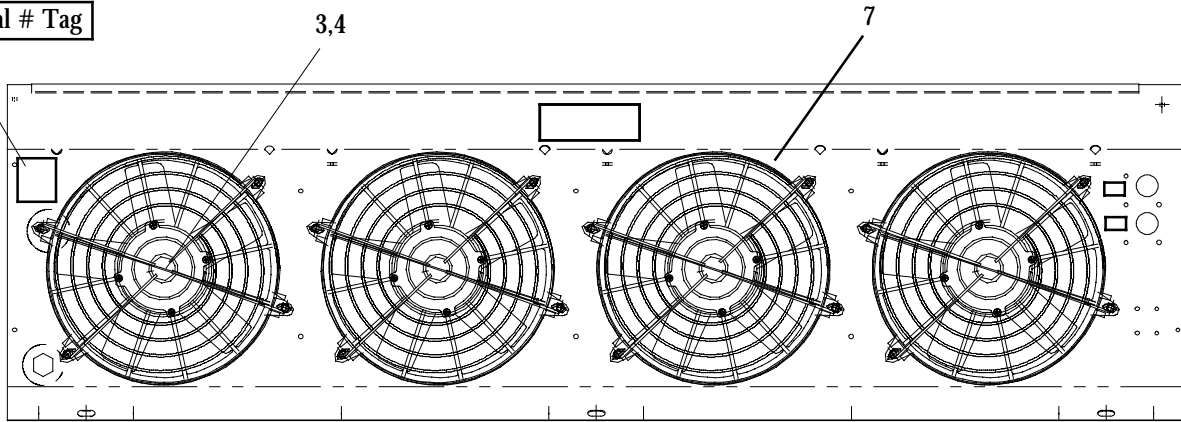


SECTION 1.4 CM-14 CONDENSER SERIES

1.4.1 CONDENSER, CM-14 STANDARD MODEL (77-62083-02, -04, -08, -09, -10 & -11)



Serial # Tag



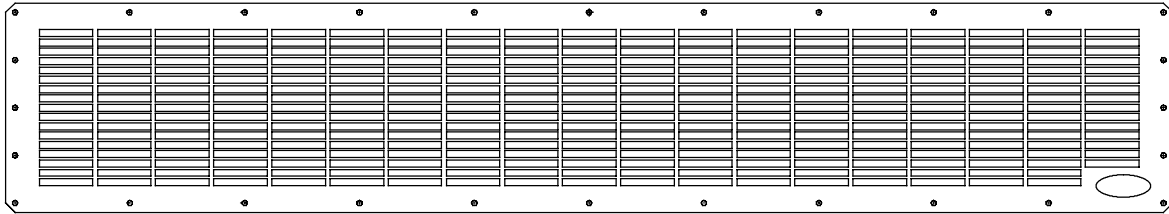




<b>1.4.1 CONDENSER, CM-14 STANDARD MODEL (77-62083-02, -04, -08, -09, -10 &amp; -11) - Continued :</b>			
<b>Item</b>	<b>Part Number</b>	<b>Description</b>	<b>Qty</b>
1	14-00288-00	Filter Drier/Sight Glass Assembly	1
2	AC701-269	Clamp, 2-1/16 Inch to 3 Inch	1
3	54-00618-01	Fan & Motor Assembly, Vector, 12V W/Fuse, (No Repl. Motor) Includes:	4
4	22-02336-25	... Fuse, 20 Amp (Littlefuse # 297020)	1
5	58-62019-00	Bushing, Strain Relief	1
6	-	Harness Assembly, Staged Fans, Standard 12 & 24 VDC - Includes:	<b>NSI</b>
-	22-02392-00	... Connector, 2 Pin, Black (Packard #12010973)	1
-	22-02393-01	... Terminal, Male (18-20 AWG) (Packard # 12089040)	2
-	22-02394-00	... Seal, Cable, Gray (Packard # 15324980)	2
-	22-02392-00	... Connector, 2 Pin (was 22-50371-00) (Packard #12010973)	1
-	22-02393-01	... Terminal, Male (8 AWG) (was 22-50372-00) (Packard # 12089040)	2
7	AC030-234	Guard, Fan, Condenser	4
8	54-00618-02	Fan & Motor Assembly, 11" Vector, 24 VDC w/Fuse	4
9	08-62036-00	Coil Assembly, Condenser (CM-14)	1
10	AC201-414	Switch, Pressure, High	1
11	AC201-412	Switch, Pressure, Low	1
12	40-62036-00	Fitting, 90 Degree, 1/2 Inch F.O.R. X 1/2 Inch F.O.R.	1
13	AC801-202	O-Ring, 1/2 Inch, HNBR	4



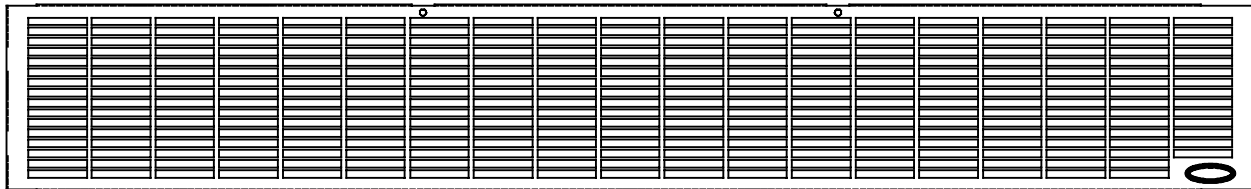
**1.4.2 CONDENSER, CM-14, GRILL, STANDARD MODEL, (77-62083-02 & -04)**



"INACTIVE" 1

1	68-63265-00	... Grill, Skirt Mounted, CM-14	1
---	-------------	---------------------------------	---

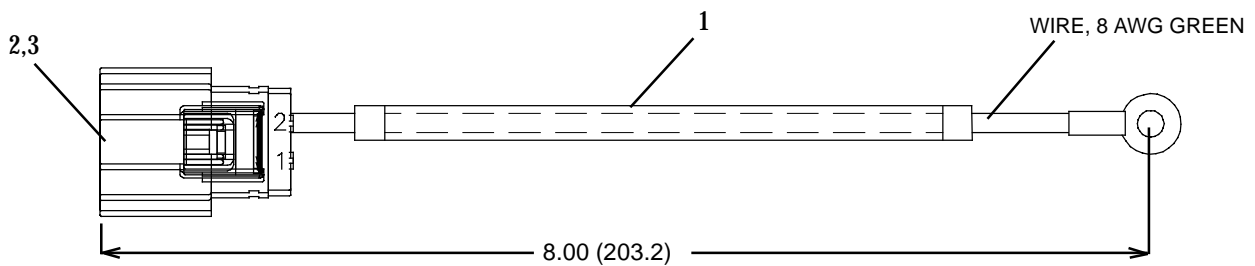
**1.4.2 CONDENSER, CM-14, GRILL, CHASSIS MOUNTED - (77-62083-08 & -09)**



"INACTIVE" 1

1	68-63566-00	Grill, Condenser, Chassis Mounted, Painted	1
---	-------------	--	---

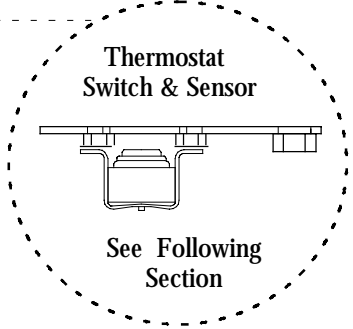
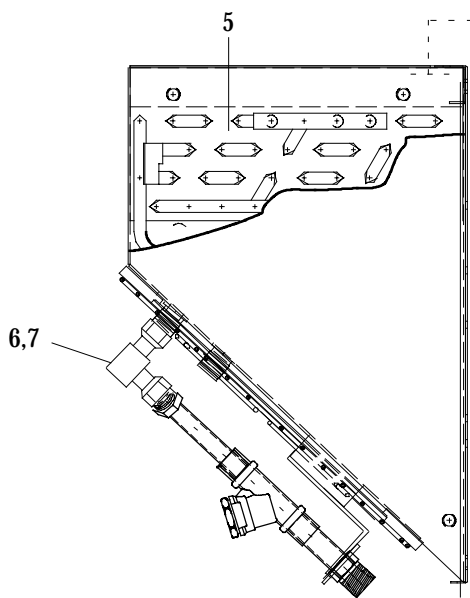
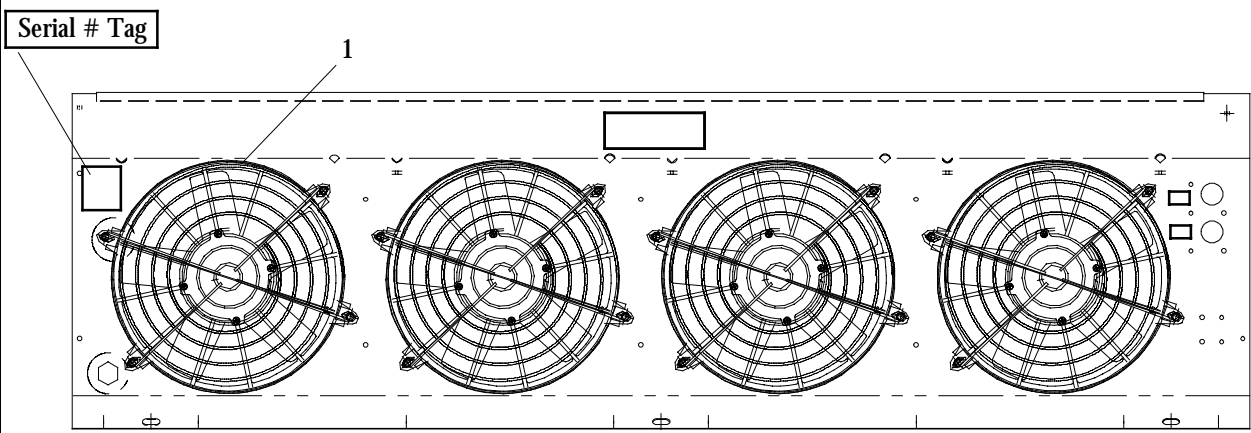
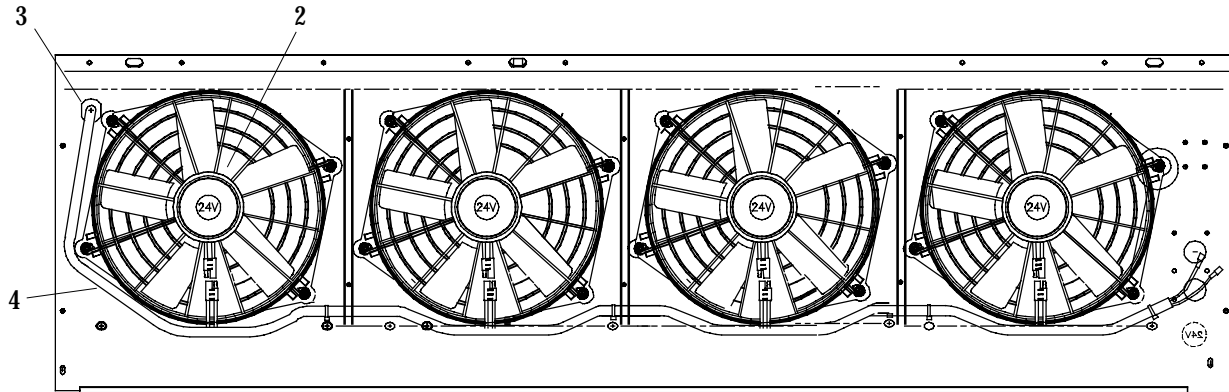
**1.4.3 CM-14, CONDENSER GROUND/POWER HARNESS (FOR 77-62083-02, -04, -08, -09)**



Item	Part Number	Description	Qty
1	76-62308-00	Harness, Condenser - Includes: (was 22-62277-00)	NSI
2	22-50099-28	... Housing, Receptacle, 2 Pin, Black (Molex # 19432-0014)	1
3	22-50099-28A	... Terminal, Female (8 AWG) (Molex # 19431-0004)	1



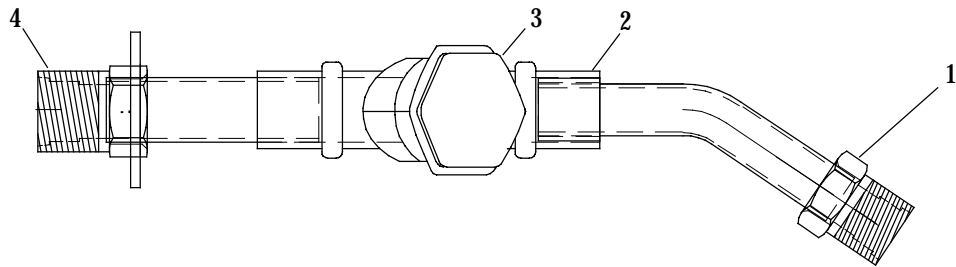
1.4.4 CONDENSER, CM-14 C4RE MODEL (77-62083-00)





<b>1.4.4 CONDENSER, CM-14 C4RE MODEL (77-62083-00) - Continued :</b>			
<b>Item</b>	<b>Part Number</b>	<b>Description</b>	<b>Qty</b>
1	AC030-234	Guard, Fan, Condenser	4
2	54-00618-02	Fan & Motor Assembly, 24 VDC (was 54-00545-00)	4
3	58-62019-00	Bushing, Strain Relief	1
4	22-62163-00	Harness Assembly, Staged Fans, CM-14, C4RE	1
5	08-62036-00	Coil, CM-14	1
6	40-62036-00	Fitting, 90 Degree, 1/2 Inch F.O.R. X 1/2 Inch F.O.R.	1
7	AC801-202	O-Ring, 1/2 Inch, HNBR	2
N/S	AC201-414	Pressure Switch, 400/300 psig	1

**1.4.4 CONDENSER, CM-14 C4RE, CHECK VALVE & TUBE ASSEMBLY**

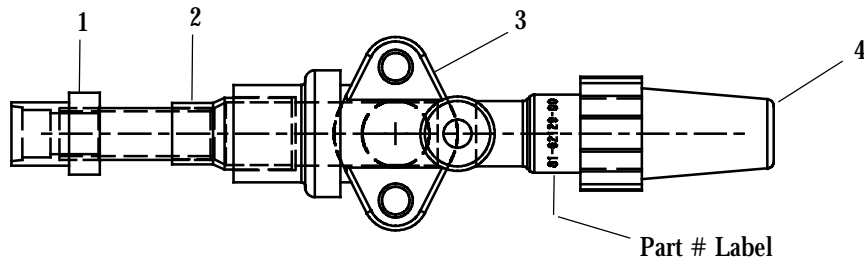


Ref: 81-62122-00

-	-	Check Valve & Tube Assembly - Includes:	<b>NSI</b>
1	40-62032-02	... Nut, Swivel, #8 MIO X 1/2 ODF.	1
2	40-00201-04	... Bushing, Flush, 5/8 ODM X 1/2 ODF	1
3	14-00029-04	... Valve, Check, 5/8 ODF	1
4	40-62032-01	... Nut, Swivel Fitting, #10 MIO X 5/8 ODF	1



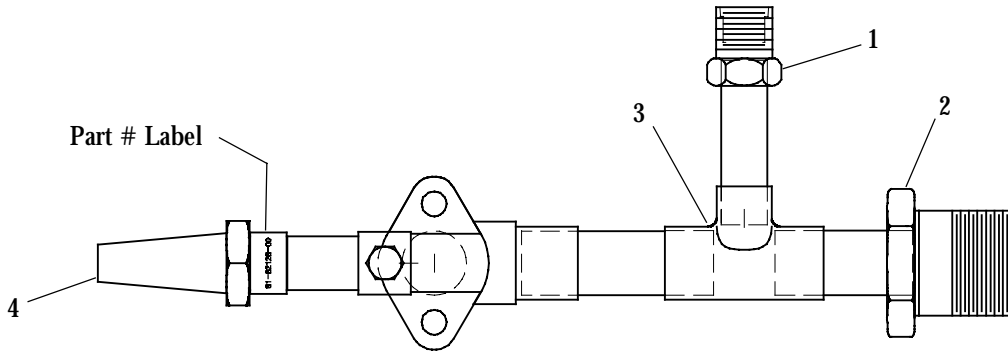
**1.4.4 CONDENSER, CM-14 C4RE, DISCHARGE VALVE ASSEMBLY (BB)**



Ref: 81-62129-00

-	-	Discharge Valve Assembly - Includes:	<b>NSI</b>
1	40-62032-01	... Nut, Swivel Fitting, #10 MIO X 5/8 ODF	1
2	40-00090-12	... Reducer, Copper, 7/8 X 5/8	1
3	14-01042-08	... Valve, Compressor Shut-Off, (For 7/8 Tubing)	1
4	17-10812-01	... Cap, Valve, Plastic	1

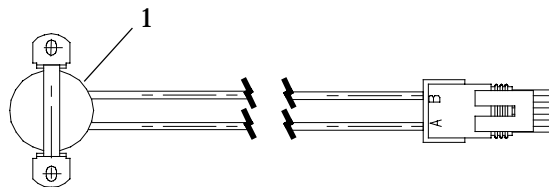
**1.4.4 CONDENSER, CM-14 C4RE, SUCTION VALVE ASSEMBLY (BB)**



Ref: 81-62128-00

-	-	Suction Valve Assembly - Includes:	<b>NSI</b>
1	40-62032-01	... Nut, Swivel Fitting, #10 MIO X 5/8 ODF	1
2	40-00491-18	... Fitting, ORS, Brass, 1-11/16-12 Thread (For 7/8 Tubing)	1
3	40-00169-13	... Tee, Reducing, Copper (7/8 X 7/8 X 5/8)	1
4	17-10812-01	... Cap, Valve, Plastic	1

**1.4.4 CONDENSER, CM-14 C4RE LOW AMBIENT THERMOSTAT SWITCH**



1	10-00317-00	Switch, Thermostat, Low Ambient (C4RE Only) (was 10-00317-01)	1
---	-------------	---	---

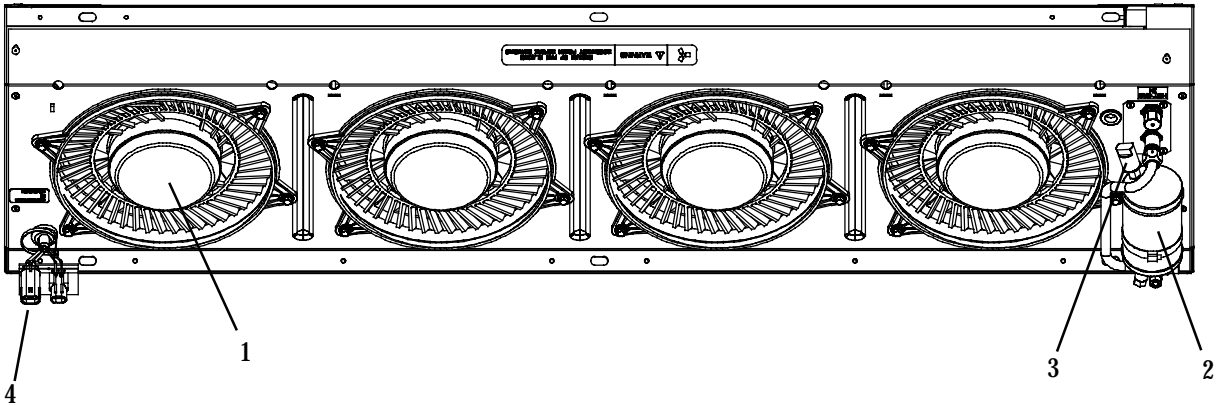
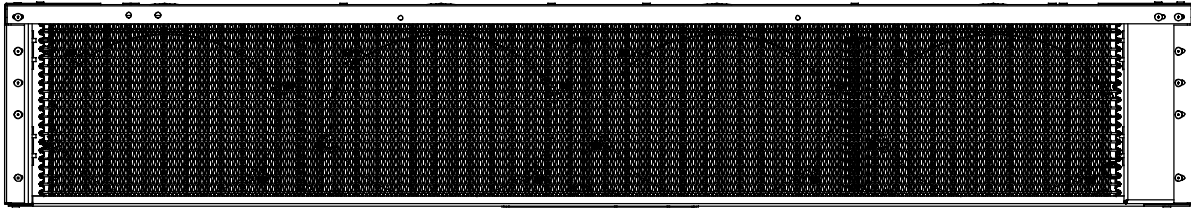


OPTION TABLE CM-14 MCHX Y19-CM141 UNITS

<b>MODEL CM14 MCHX (Top Level) Y19-CM141-XX</b>	<b>Chassis Kit (See Section 1.4.5)</b>	<b>Elec. Harness (See Section 1.4.6)</b>	<b>Grill Options (See Section 1.4.7)</b>
-00	1	1	-
-11	1	1	2
-20	1	1	1
-40	1	1	3
-60	2	2	-
-61	2	2	2
-62	2	2	1
-63	2	3	-
-64	2	3	2
-65	2	3	1
-70	2	3	3



1.4.5 CONDENSER, CM-14 MCHX, CHASSIS KIT (12V), OPTION 1

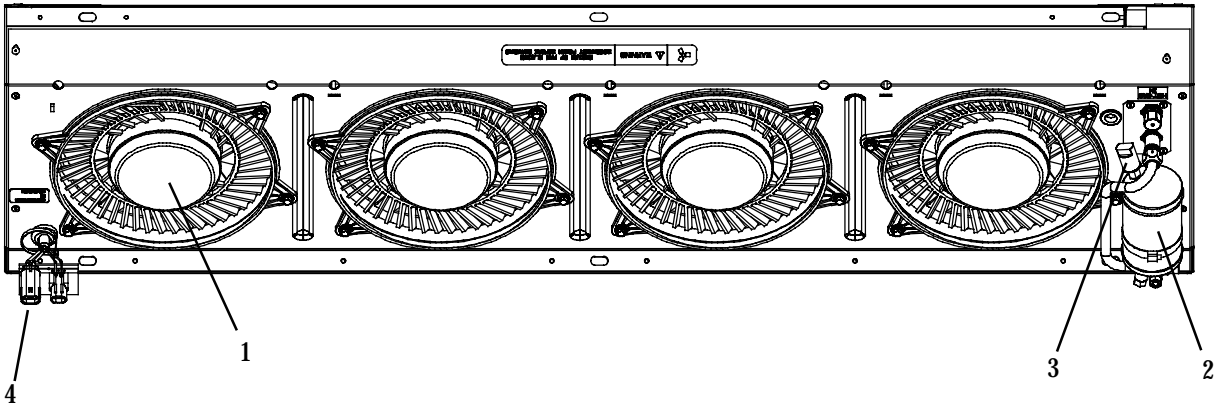


REF: Y74-CM141-00 & -01

Item	Part Number	Description	Qty
1	54-00618-01	Fan & Motor Assembly, 11" Vector w/Fuse, 12VDC	4
	22-02336-25	. . . Fuse, 20A (Littlefuse # 297020)	1
2	65-00193-00	Receiver, w/Filter Drier	1
3	AC201-414	Pressure switch, 400-300 psig	1
4	NSI	Harness, Electrical (See Section 1.1.13)	1



1.4.5 CONDENSER, CM-14 MCHX, CHASSIS KIT (24V), OPTION 2



REF: Y74-CM141-60, -61, -62 & -63

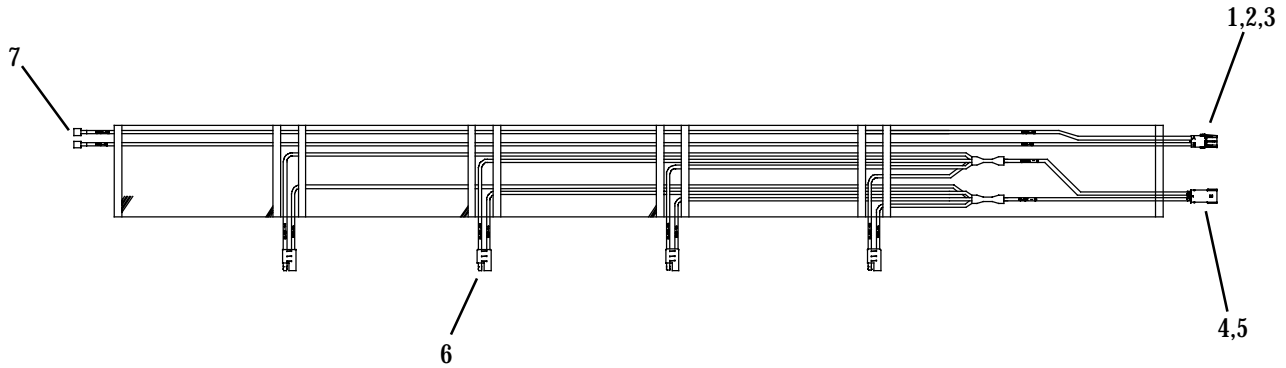
Item	Part Number	Description	Qty
1	54-00618-05	Fan & Motor Assembly, 11" Vector w/Fuse, 24VDC: Includes:	4
	22-02336-24	. . . Fuse, 15A (Littlefuse # 297015)	1
2	65-00193-00	Receiver, w/Filter Drier	1
3	12-00299-23	Pressure switch, 400-300 psig	1
4	NSI	Harness, Electrical (See Section 1.1.13)	1





**NOTE: Complete Wire Harnesses are Non-Stock Items. Replacement Components are Listed and can be cross referenced to supplier part number in manual T-375PL.**

**1.4.6 CONDENSER, CM-14 MCHX, HARNESS , ELECTRICAL : Option 1**



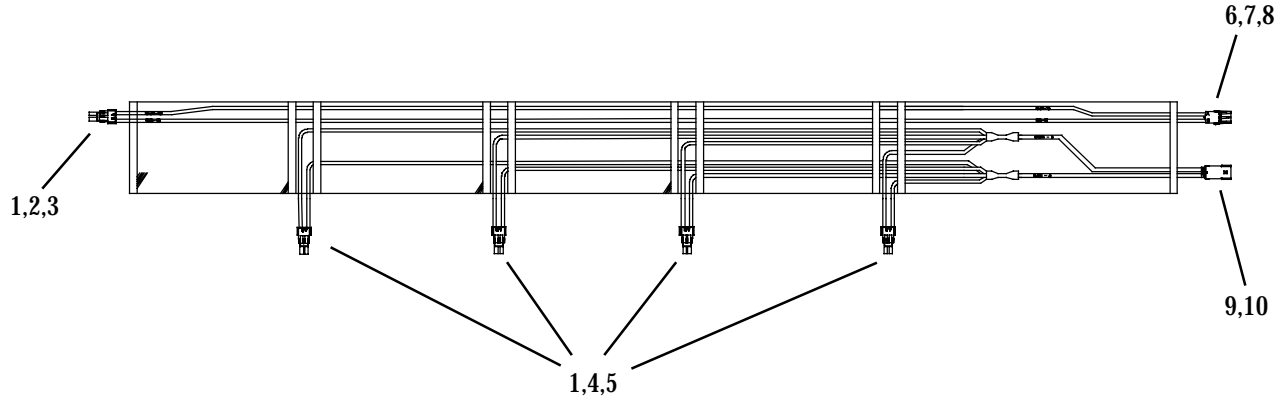
REF: Y25-00129-00

Item	Part Number	Description	Qty
-	-	Harness, Condenser- Includes: (Packard # 12010973)	<b>NSI</b>
1	22-02392-00	... Connector, 2 Pin, Black (Packard # 12010973)	1
2	22-02393-01	... Terminal, Male, (18-20 AWG) (Packard # 12089040)	2
3	22-02394-00	... Seal, Cable, Gray (Packard # 15324980)	2
4	22-50099-27	... Housing, Plug, 2 Pin (Molex # 19433-0014)	1
5	22-50099-27A	... Terminal, Male (8 AWG) (Molex # 19431-0017)	2
6	NSI	... Condenser Motor Harness	4
7	22-01502-00	... Terminal, Male, Insulated Push On (18 AWG) (Amp # 2-520102-2)	2



**NOTE: Complete Wire Harnesses are Non-Stock Items. Replacement Components are Listed and can be cross referenced to supplier part number in manual T-375PL.**

**1.4.6 CONDENSER, CM-14 MCHX, HARNESS , ELECTRICAL : Option 2**



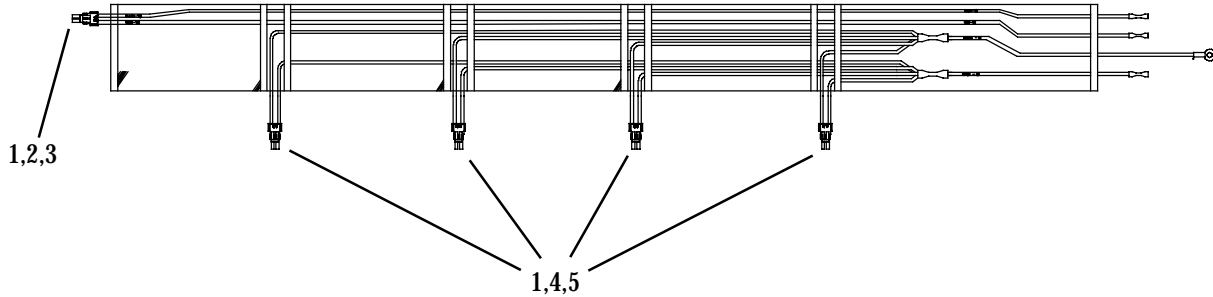
REF: Y25-00129-01

Item	Part Number	Description	Qty
-	-	Harness, Condenser - Includes:	<b>NSI</b>
1	22-01585-00	... Connector, Female, 2 -Way (Packard/Delphi # 12015792)	5
2	22-01566-01	... Terminal, Female, 18-20 AWG (Packard # 12089188)	2
3	22-02394-02	... Seal, Cable (Packard # 15324982)	2
4	22-01566-00	... Terminal, Female, 14-16 AWG (Packard/Delphi # 12124580)	8
5	22-02394-00	... Seal, Cable (Packard # 15324980)	8
6	22-02392-00	... Connector, Male, WP, 2 Pin (Packard # 12010973)	1
7	22-02393-01	... Terminal, Male, 18 AWG (Packard # 12089040)	2
8	22-02394-00	... Cable Seal, 18 AWG (Packard # 15324980)	2
9	22-50099-27	... Connector, Male, Molex, 2 Pin (Molex # 19433-0014)	1
10	22-50099-27A	... Terminal, Male, 8 AWG (Molex # 19431-0017)	2



**NOTE: Complete Wire Harnesses are Non-Stock Items. Replacement Components are Listed and can be cross referenced to supplier part number in manual T-375PL.**

**1.4.6 CONDENSER, CM-14 MCHX, HARNESS , ELECTRICAL: Option 3**

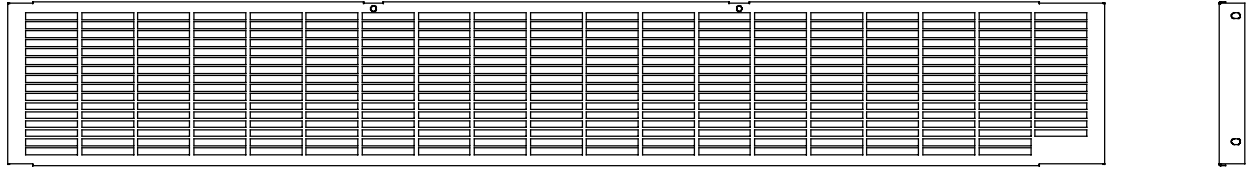


REF: Y25-00129-02

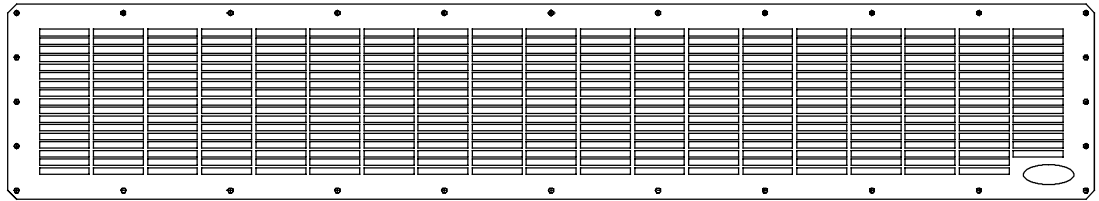
Item	Part Number	Description	Qty
-	-	Harness, Condenser - Includes:	<b>NSI</b>
1	22-01585-00	... Connector, Female, 2 -Way (Packard/Delphi # 12015792)	5
2	22-01566-01	... Terminal, Female, 18-20 AWG (Packard # 12089188)	2
3	22-02394-02	... Seal, Cable (Packard # 15324982)	2
4	22-01566-00	... Terminal, Female, 14-16 AWG (Packard/Delphi # 12124580)	8
5	22-02394-00	... Seal, Cable (Packard # 15324980)	8
6	Y31-00032-03	... Butt Splice, W/Heat Shrink, 8 AWG, (Molex Part # 191640079)	1
7	Y31-00032-00	... Butt Splice, W/Heat Shrink, 18 AWG, (Molex Part # 191640013)	2
8	N/A	... Ring Terminal, W/Heat Shrink, 8 AWG - ¼" Ring, (Molex Part # 191640081)	1



1.4.7 CONDENSER, CM-14 MCHX , GRILLE, OPTIONS 1,2 & 3

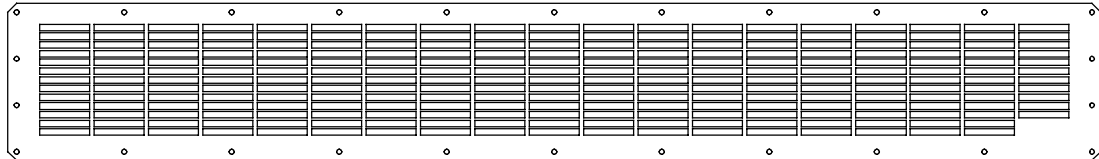


1



"INACTIVE"

2

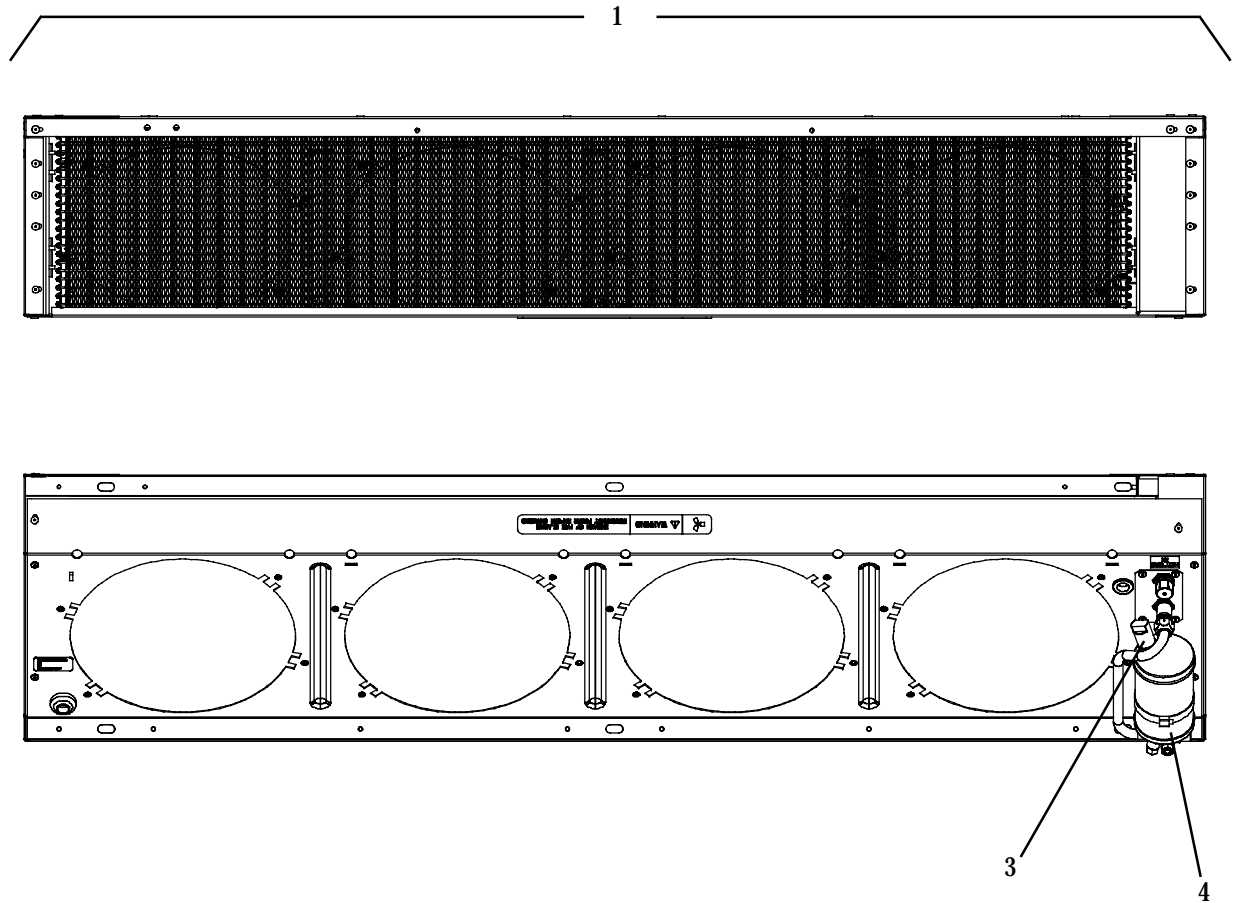


3

Item	Part Number	Description	Qty
1	Y24-00642-00	Grille Assembly, BLK TXT MTD (Grille mounted): <b>OPTION 1</b>	1
2	-	Grille, (Skirt Mounted) BLK Smooth: <b>OPTION 2</b>	1
3	Y24-00653-00	Grille Assembly, BLK TXT Short (Skirt mounted): <b>OPTION 3</b>	1



1.4.8 CONDENSER, CM-14 MCHX , SERVICE REPLACEMENT CHASSIS (ALL)



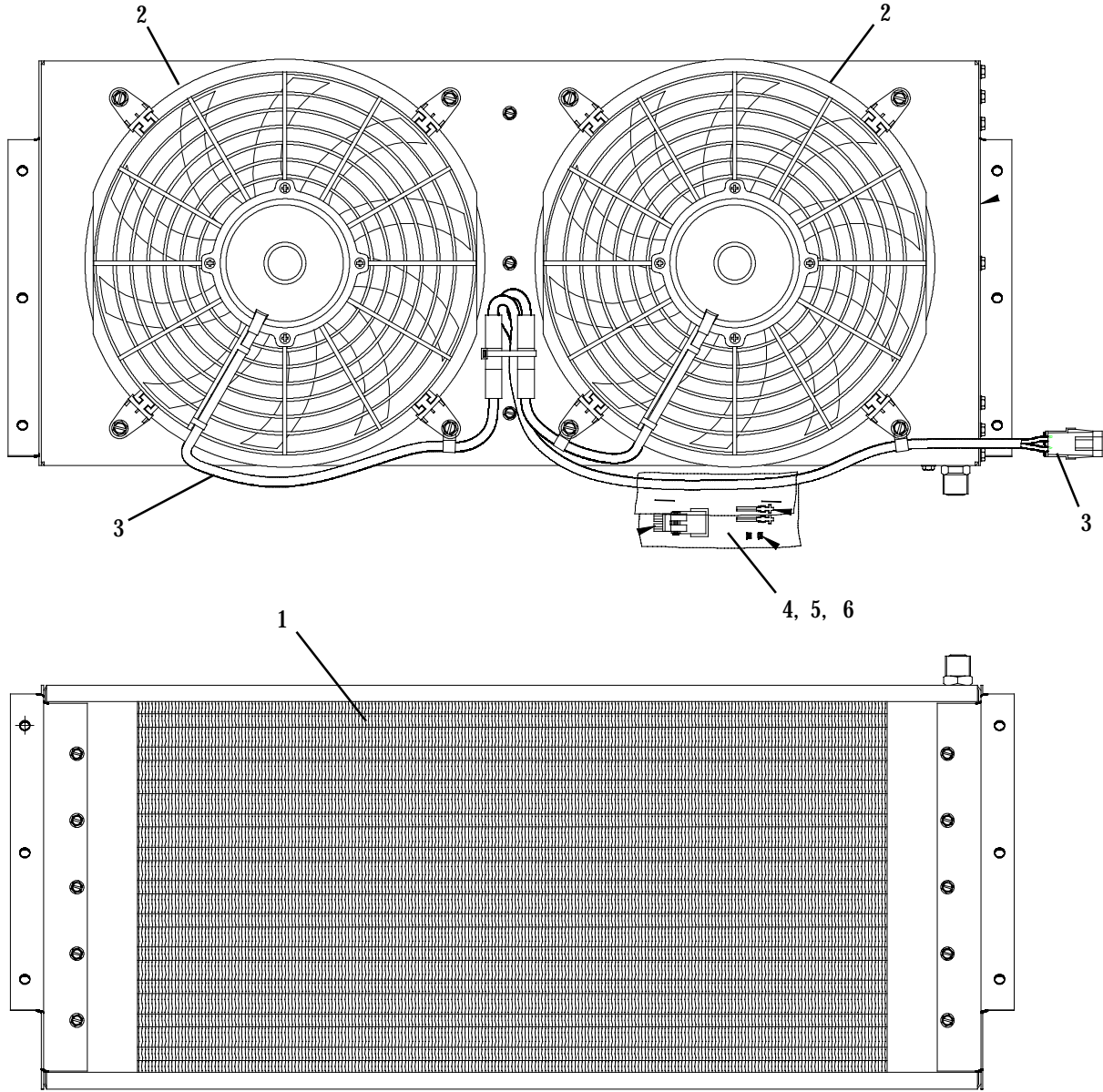
REF: Y74-CM141-50

Item	Part Number	Description	Qty
1	Y74-CM141-50	Replacement Chassis Kit: Includes:	1
2	NSS	... Coil, Condenser, MCHX	1
3	AC201-414	... Switch, Pressure	1
4	65-00193-00	... Receiver/Filter Drier	1



SECTION 1.5 CM-15 CONDENSER SERIES

1.5.1 CONDENSER, CM-15 (77-62175-00)

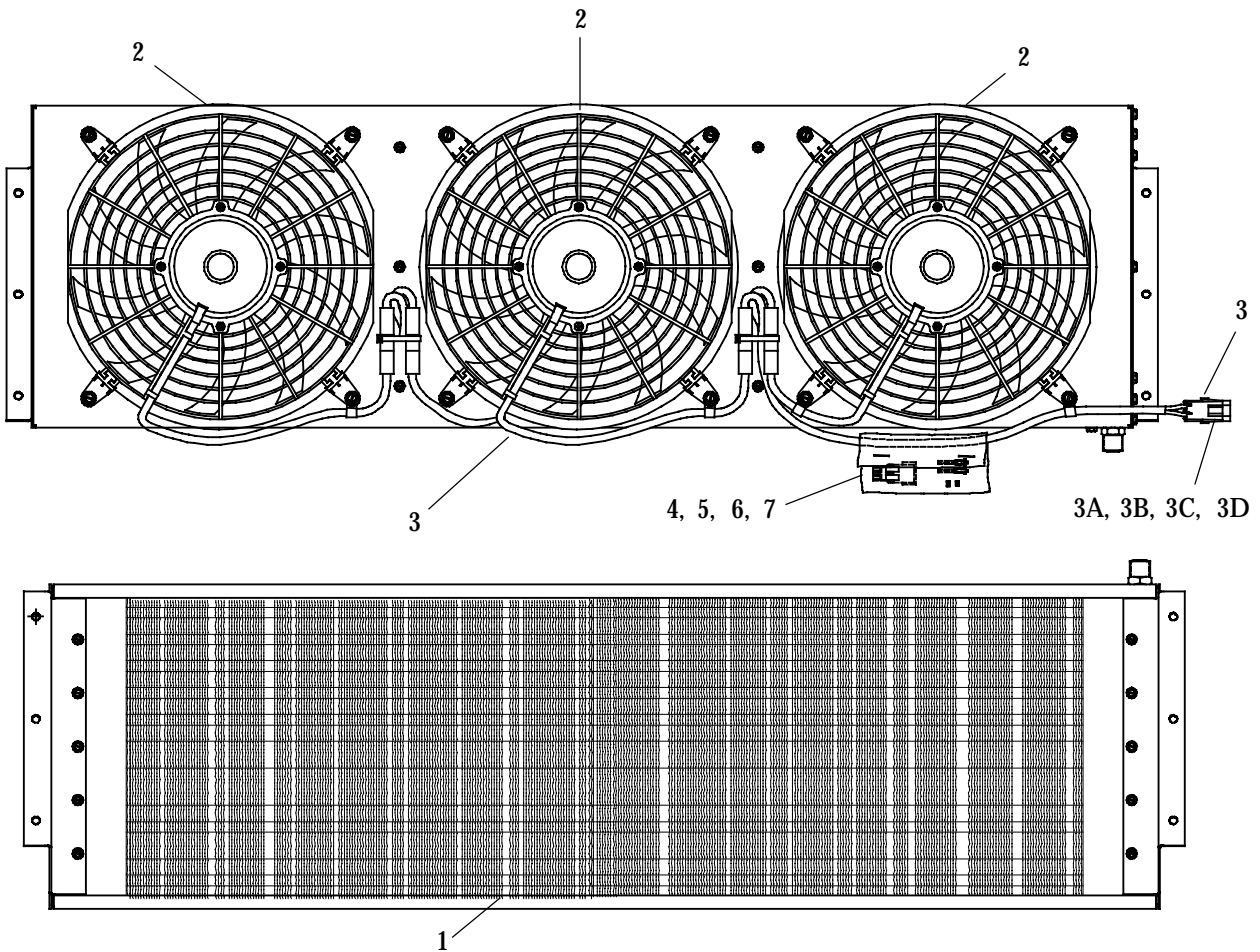


Item	Part Number	Description	Qty
1	N/A	Coil Assembly, Two Fan Condenser	1
2	15-8731	Fan & Motor Assembly, Condenser, 12 VDC (was 54-50108-00)	2
3	22-50343-00	Harness, Two Fan Condenser	<b>NSI</b>
4	22-01585-00SK	Connector, Male, 2 Pin, Black (Packard # 12015792)	1
5	31-1215	Terminal, Female (12 AWG) (was 22-50078-58) (Packard # 12124581)	2
6	22-02394-01	Seal, Cable, Blue (Packard # 15324981)	2



SECTION 1.6 CM-16 CONDENSER SERIES

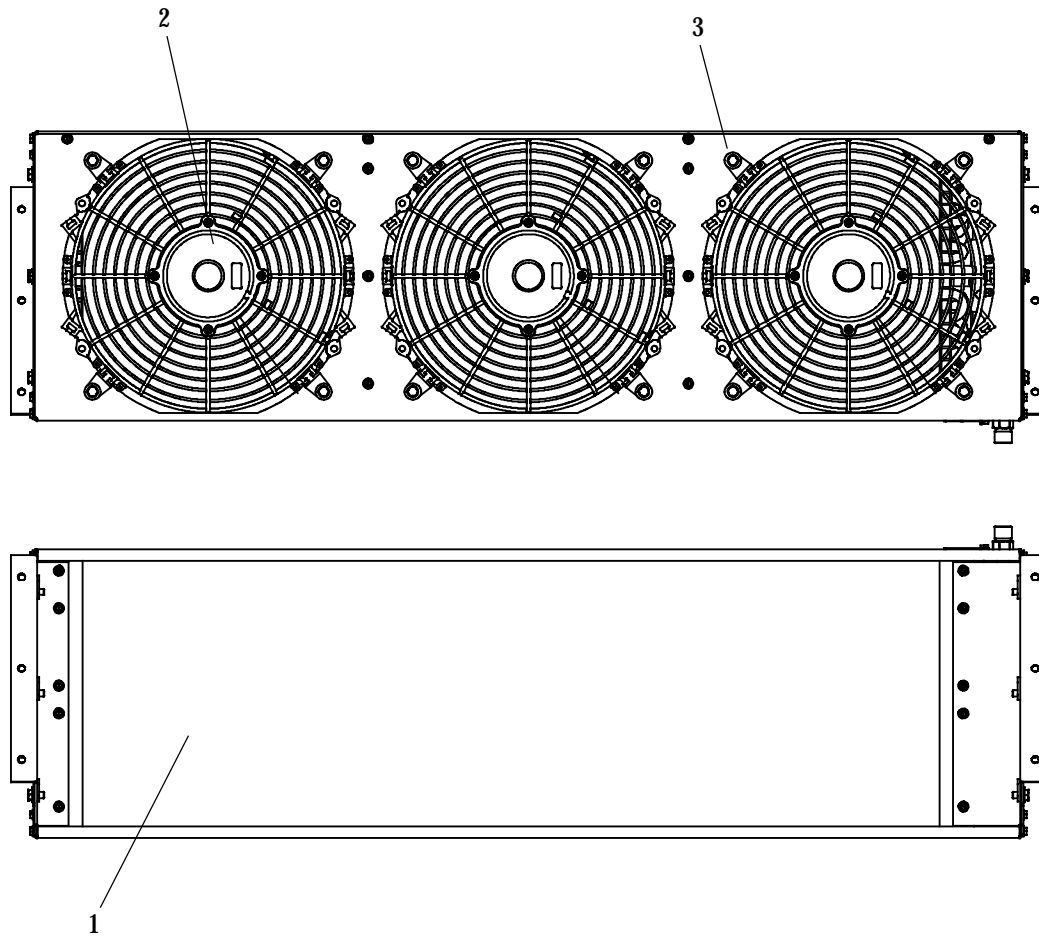
1.6.1 CONDENSER, CM-16 (77-62201-00)



Item	Part Number	Description	Qty
1	N/A	Coil Assembly, Three Fan Condenser	1
2	15-8731	Fan & Motor Assembly, Condenser, 12 VDC (was 54-50108-00)	3
3	22-50358-00	Harness, Three Fan Condenser - Includes:	<b>NSI</b>
3A	22-50078-01	... Connector, Male, 2 Pin, Black (Packard/Delphi # 15300002)	1
3B	22-50078-47B	... Terminal, Male (12-14 AWG) (Packard # 12129497)	2
3C	22-02394-00	... Seal, Cable, Gray (Packard # 15324980)	2
3D	22-50078-01A	... Lock, Secondary (Packard/Delphi # 15300014)	1
4	22-50078-02	... Connector, Female, 2 Pin, Black (Packard/Delphi # 15300027/10737780)	1
5	22-50078-47E	... Terminal, Female (12-14 AWG) (Packard # 12129493)	2
6	22-02394-00	... Seal, Cable, Gray (Packard # 15324980)	2
7	22-50078-01A	... Lock, Secondary (Packard/Delphi #15300014)	1



1.6.2 CONDENSER, CM-16 (14-5101)



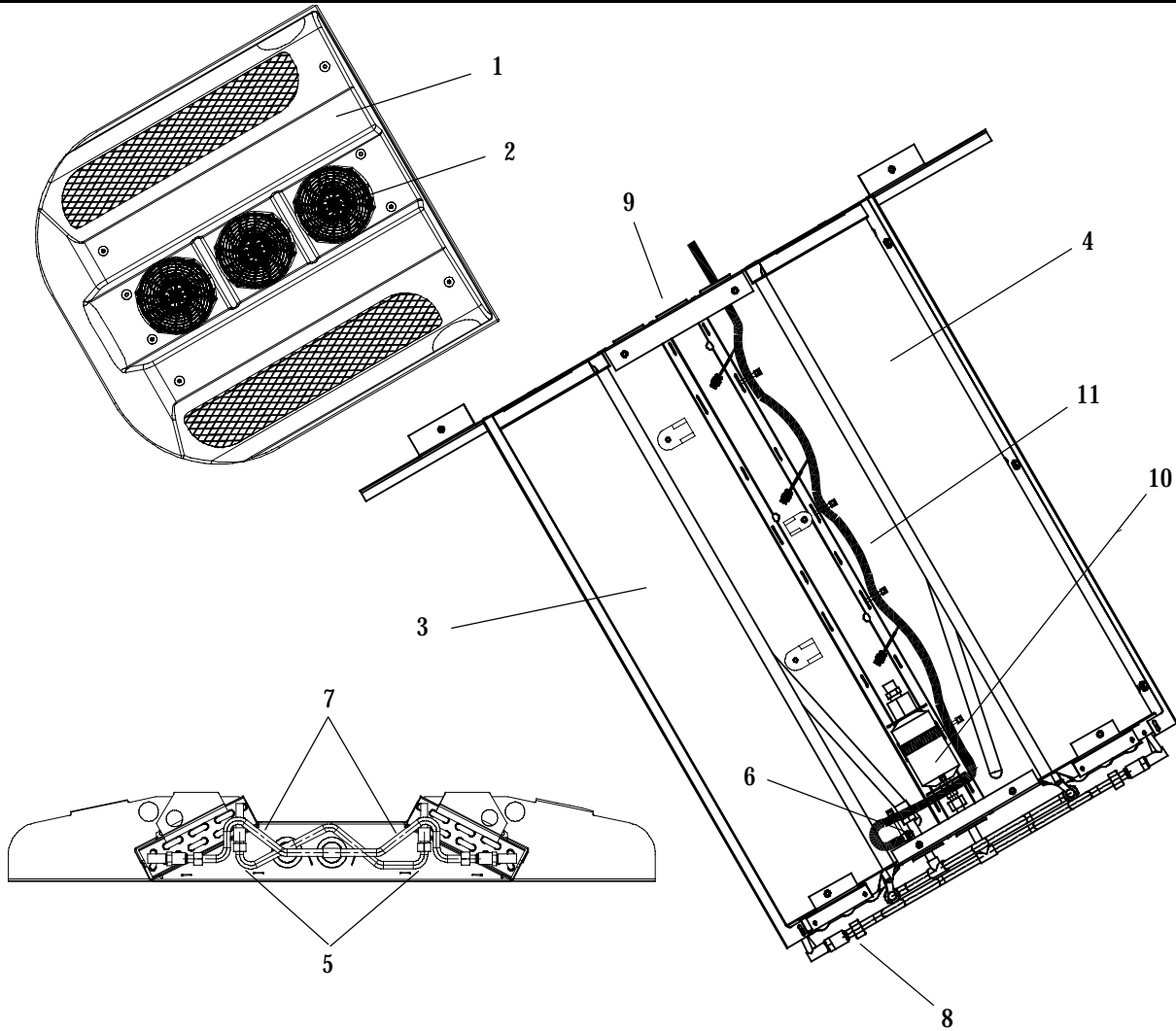
Item	Part Number	Description	Qty
1	21-1954	Coil Assembly, Three Fan Condenser	1
2	15-8731	Fan & Motor Assembly, Condenser, 12 VDC	3
3	25-0977	Fan Mount	12
N/S	25-3290	Wire Harness	<b>NSI</b>





**SECTION 1.7 K410 CONDENSER SERIES**

**1.7.1 CONDENSER, K410, 3 MOTOR, 12V (NORTH AMERICAN VERSION)**



REF. UNIT #'s 77-62251-00, -01, -21, -22, -23, -24, -25, -26, -27

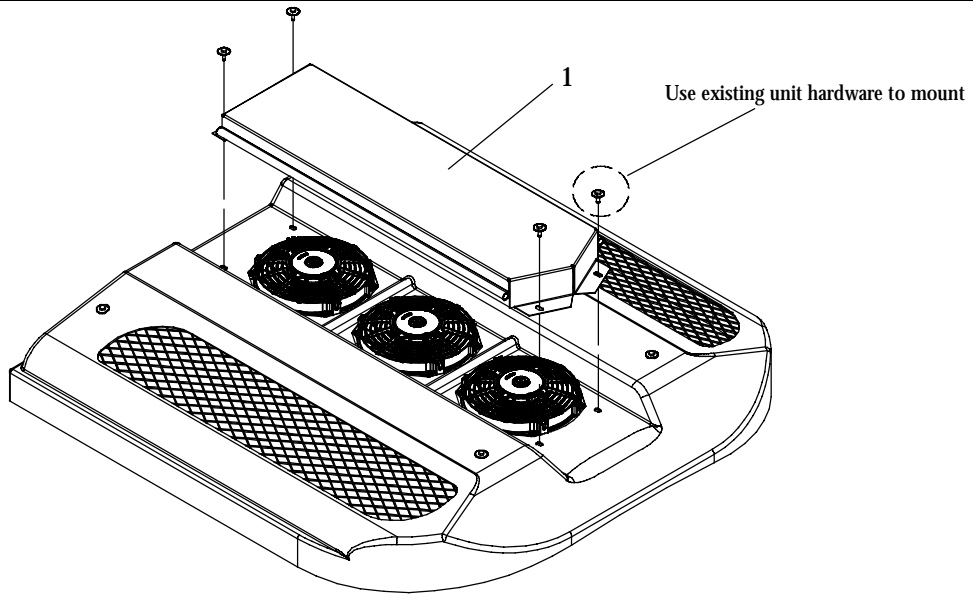
Item	Part Number	Description	Qty
1	79-62136-00	Cover Assembly, NA 7071MM (Used w/ units 77-62251-00, -21, -23, -24, -25)	1
	79-62136-01	Cover Assembly, NA 3000MM (Used w/ units 77-62251-01, -22, -26, -27)	
2	54-00643-00	Condenser Fan Assembly	3
3	08-62081-00	Condenser Coil Assembly, Curbside	1
4	08-62081-01	Condenser Coil Assembly, Roadside	1
5	81-62169-00	Tube Assembly, Hot Gas In	1
6	AC201-414	Pressure switch, High (400-300 psig)	1
7	81-62170-00	Tube Assembly, Liquid Out	1
8	AC801-202	O-Ring, (1/2" HN BR)	5
9	58-62223-00	Grommet	5
10	14-00288-00	Filter Drier, (16 cu.in. w/Sightglass)	1



<b>1.7.1 CONDENSER, K410, 3 MOTOR, 12V (NORTH AMERICAN VERSION)</b>			
<b>Item</b>	<b>Part Number</b>	<b>Description</b>	<b>Qty</b>
11	22-62312-00	Wire Harness, Butt Splice Interface	<b>NSI</b>
	22-62312-01	Wire Harness, Connector Interface	



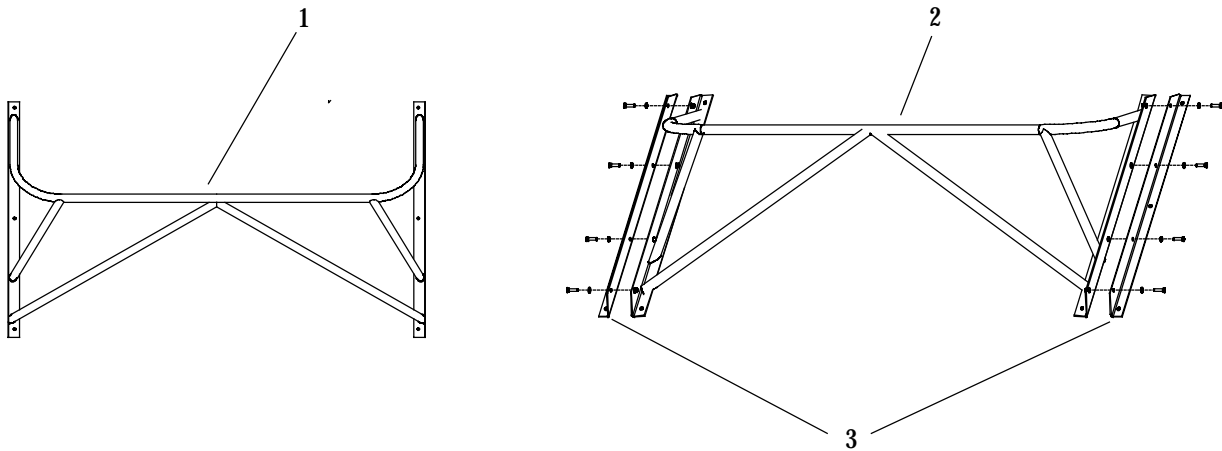
**1.7.2 CONDENSER, K410 WINTERGUARD KIT (NORTH AMERICAN VERSION)**



FOR UNIT #'s 77-62251-XX (ALL N.A. VERSIONS)

Item	Part Number	Description	Qty
1	76-62362-00	Winterguard Kit	1

**1.7.3 CONDENSER, K410 BRUSH GUARD KIT (NORTH AMERICAN VERSION) KIT #**



Item	Part Number	Description	Qty
1	76-62325-00	Kit, Weld Assembly, Branch Guard (6° Angle Integrated Mounting Foot)	1
2	76-62325-01	Kit, Weld Assembly, Branch Guard (6° Angle & Universal Mounting Foot)	1
3	Y24-00185-00	... Universal Mounting Bracket, Branch Guard	2



**SECTION 1.8 CR410 CONDENSER SERIES**

**OPTION TABLE CR410 MCHX Y19-41001 UNITS (12 VDC)**

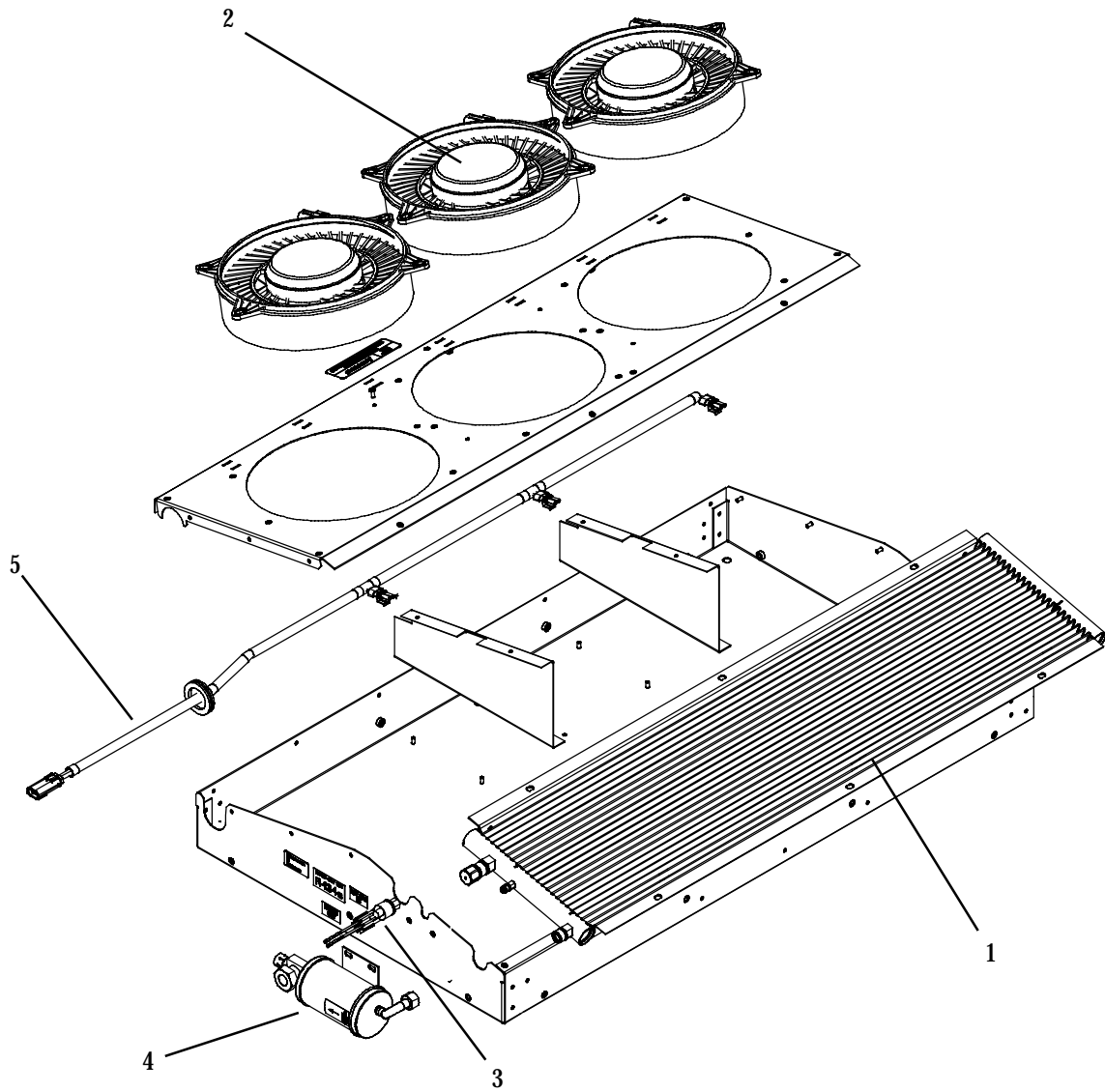
<b>MODEL CR410 MCHX (Top Level) Y19-41001-XX</b>	<b>Chassis Kit (See Section 1.8.1)</b>	<b>Cover Assembly (See Section 1.8.2)</b>	<b>Elec. Harness (See Section 1.8.3)</b>
-00	1	1	1
-01	1	3	1
-02	1	2	1
-03	1	4	1
-04	1	3	1
-20	1	3	1
-40	1	4	1
-50	1	4	1
-60	1	3	1
-70	1	4	1
-80	1	4	1

**OPTION TABLE CR410 MCHX Y19-41001 UNITS (24 VDC)**

<b>MODEL CR410 MCHX (Top Level) Y19-41001-XX</b>	<b>Chassis Kit (See Section 1.8.1)</b>	<b>Cover Assembly (See Section 1.8.2)</b>	<b>Elec. Harness (See Section 1.8.3)</b>
-05	1	1	1



1.8.1 CHASSIS KIT , CR410 : OPTION (ALL)

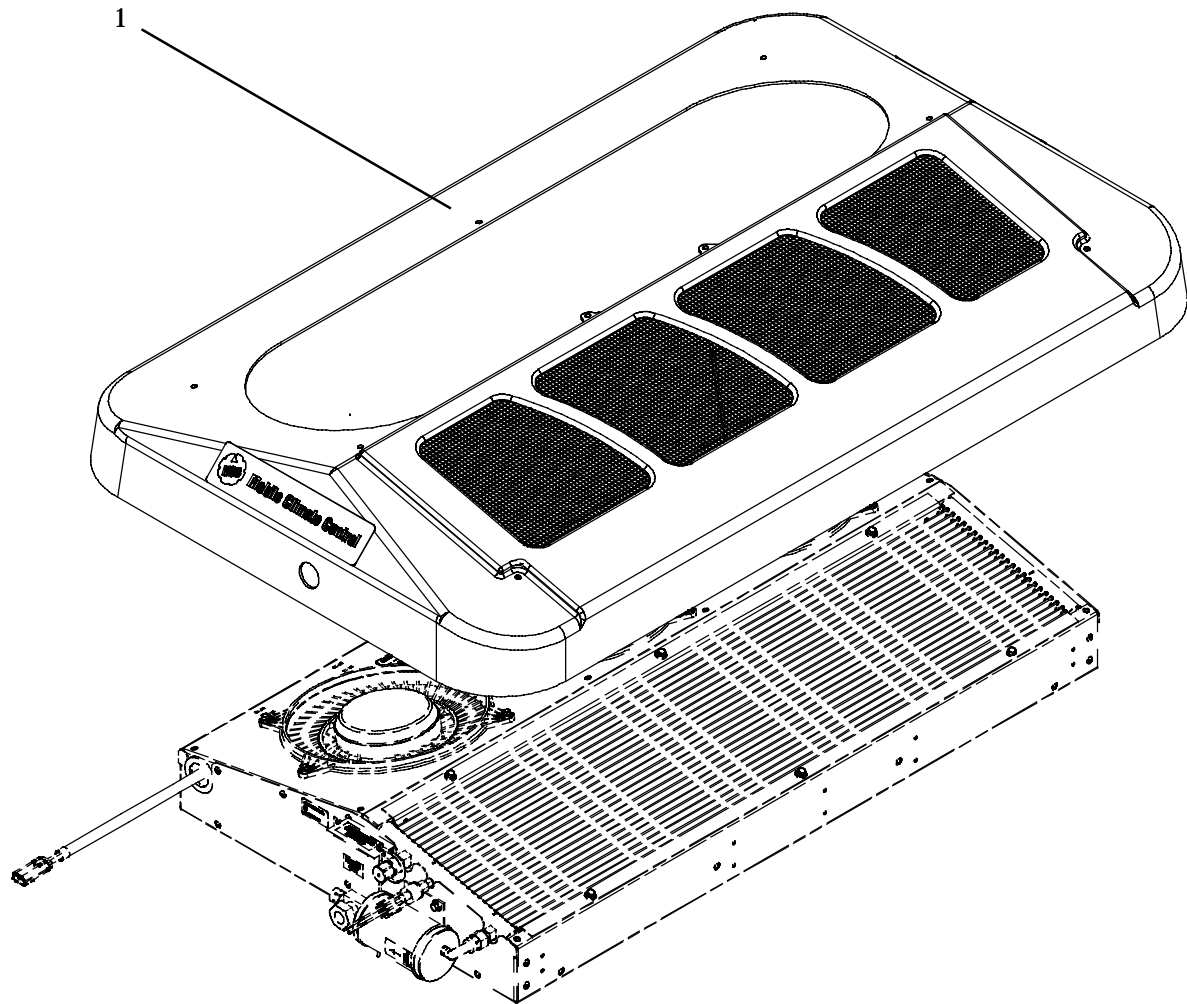


REF: Y74-41002

Item	Part Number	Description	Qty
1	T41-0018-00	Condenser Coil	1
2	54-00618-03	Fan & Motor Assembly, 11" Vector , 12VDC	3
	54-00618-05	Fan & Motor Assembly, 11" Vector , 24VDC (was 54-00618-04)	3
3	12-00299-23	Pressure Switch, Open 390-410 psig/Close 290-310 psig	1
4	Y26-00084-00	Filter/Drier receiver (Not used on -02 and -03 Chassis)	1
5	NSI	Wire Harness, Condenser 3-11" Fans (See Section 1.8.3)	



1.8.2 COVERS, CR410 : OPTIONS 1 thru 4



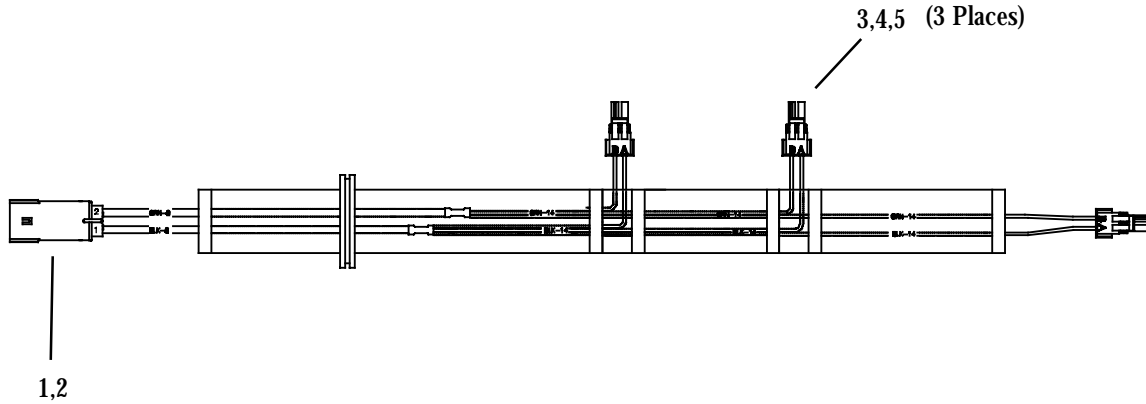
REF: Y28-00064

Item	Part Number	Description	Qty
1	Y77-00001-00	Cover Assembly, Flat Roof, <b>Option 1</b> (was Y28-00064-00)	1
	Y77-00001-01	Cover Assembly, Narrow, R307 (8M), <b>Option 2</b> (was Y28-00064-01)	1
	Y77-00001-02	Cover Assembly, Narrow, R134 (3.4M), <b>Option 3</b> (was Y28-00064-02)	1
	Y77-00001-03	Cover Assembly, Wide, R388 (9.8M), <b>Option 4</b> (was Y28-00064-03)	1



**NOTE: Complete Wire Harnesses are Non-Stock Items. Replacement Components are Listed and can be cross referenced to supplier part number in manual T-375PL.**

**1.8.3 WIRE HARNESS, CONDENSER 3 - 11" FANS : OPTION (ALL)**



Item	Part Number	Description	Qty
1	22-50099-27	Connector, Male, Molex MX150L, 2 Way Sealed (Molex # 19433-0014)	1
2	22-50099-27A	Terminal, Male 8 AWG (Molex # 19431-0017)	2
3	22-01585-00	Connector, WP Tower, 2 Position (Packard/Delphi # 12015792)	3
4	22-01566-00	Terminals, Female 14/16 AWG (Delphi # 12124580)	6
5	22-02394-00	Cable Seals (Packard # 15324980)	6

REF: Y25-00116



SECTION 1.9 CONDENSER, CR430 Condensers

INTRODUCTION

The Mobile Climate Control model CR430 series condensers are of lightweight frame construction, designed to be installed on the vehicle roof.

CONFIGURATION IDENTIFICATION

Unit identification information is provided on a plate located inside the condenser. The plate provides the unit model number and the unit serial number. The model number identifies the overall unit configuration listed in the options table to identify the replacement parts.

This section provides a description of and a tabular listing of unit model numbers to assist the reader in identifying the equipment supplied and any required service parts.

OPTION DESCRIPTION

Various options may be factory or field equipped to the base unit. These options are listed in the tables and described in the following subparagraphs.

Skins Kit

The top cover is designed to allow for different mounting arrangements on high roof radius or low roof radius configurations.

Refrigeration Kit

The unit may be fitted with a single or dual loop refrigeration system

Electrical Kit

The unit may be fitted with 12 or 24 volt fan motors.

Frame Kit

The condenser may be fitted with one of two different base assemblies. The assemblies differ dependent on single or dual loop refrigerant system configuration.

OPTION LEGEND CR430

<b>Skins Kit CR430, 4001 &amp; 4002 Series</b>	
1	Top Cover - Radius 4.6M
2	Top Cover - Radius 7.8M
3	Top Cover - Radius 2.7M
<b>Chassis (Coil) Kit CR430, 4001 &amp; 4002 Series</b>	
1	Dual Loop
2	Single Loop
<b>Refrigeration Piping Kit CR430, 4001 &amp; 4002 Series</b>	
1	Dual Loop
2	Single Loop
3	Dual Loop (Less Filter Driers)
<b>Fan &amp; Motor Kit CR430, 4001 &amp; 4002 Series</b>	
1	3 Fan 12 VDC W/PM Motors
2	2 Fan 12 VDC W/PM Motors
3	3 Fan 24 VDC W/PM Motors
<b>Electrical Kit CR430, 4001 &amp; 4002 Series</b>	
1	Single Loop 3 Fan, W/P
2	Dual Loop 3 Fan, W/P
3	Dual Loop 2 Fan, W/P
4	Single Loop, 3 Fan, 24 vdc,W/P, Circuit Protect
5	Single Loop, 2 Fan, 12 vdc,Molex, Circuit Protect
6	Single Loop, 3 Fan, 12 vdc,Molex, Circuit Protect
7	Dual Loop, 2 Fan, 12 vdc,Molex, Circuit Protect
8	Dual Loop, 3 Fan, 12 vdc,Molex, Circuit Protect
9	Dual Loop, 2 Fan, 24 vdc,Molex, Circuit Protect
10	Dual Loop, 3 Fan, 24 vdc,Molex, Circuit Protect





**OPTION TABLE CR430 - Single Circuit**

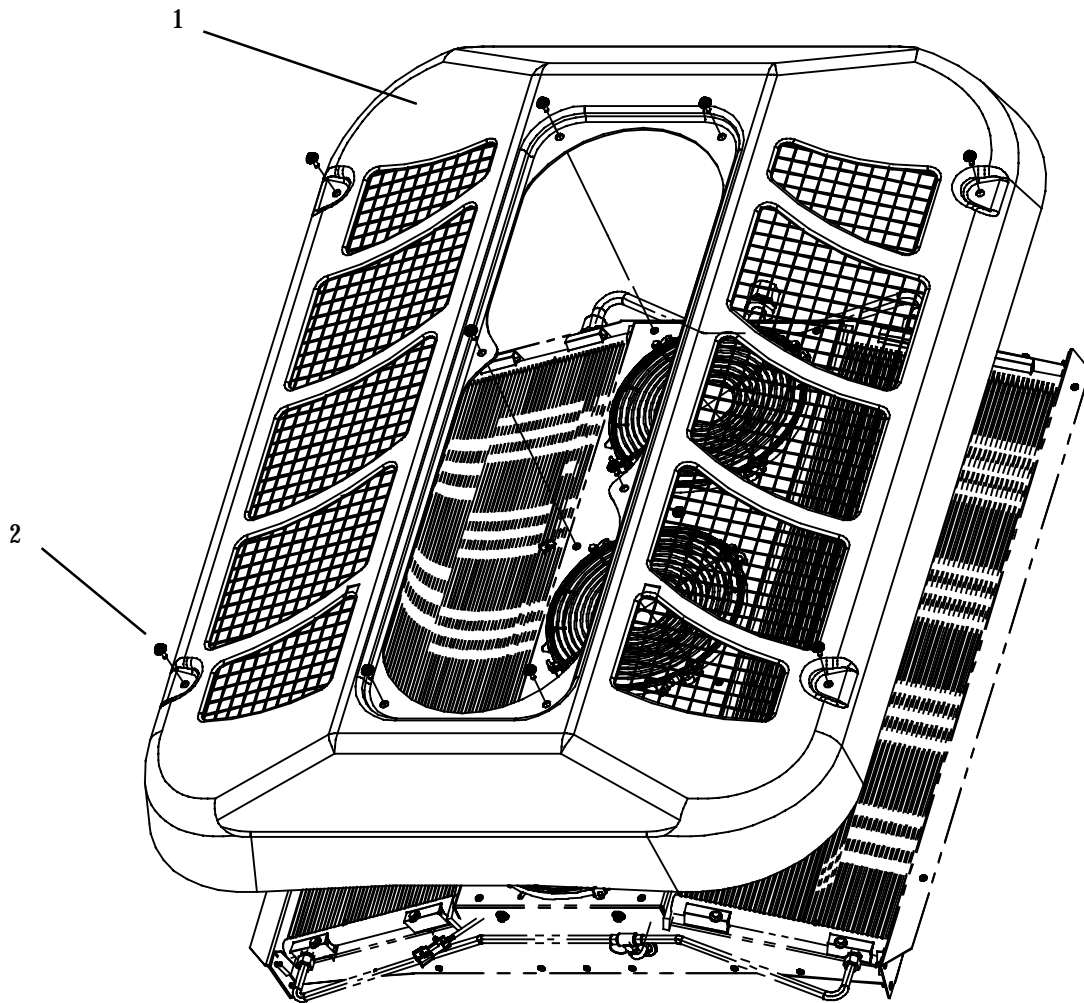
<b>MODEL CR430 Y74-43001-</b>	<b>Cover Kit (See Section 1.9.1)</b>	<b>Chassis Kit (See Section 1.9.3)</b>	<b>Piping Kit (See Section 1.9.4)</b>	<b>Fan &amp; Motor Kit (See Section 1.9.5)</b>	<b>Electrical Kit (See Section 1.9.6)</b>
-00	1	2	2	3	1
-01	2	2	2	3	1
-02	1	2	2	1	6
-03	2	2	2	1	6
-04	3	2	2	3	1
-05	1	2	2	1	1
-06	1	2	2	1	1

**OPTION TABLE CR430 - Dual Circuit**

<b>MODEL CR430 Y74-43002-</b>	<b>Cover Kit (See Section 1.9.1)</b>	<b>Chassis Kit (See Section 1.9.3)</b>	<b>Piping Kit (See Section 1.9.4)</b>	<b>Fan &amp; Motor Kit (See Section 1.9.5)</b>	<b>Electrical Kit (See Section 1.9.6)</b>
-00	1	1	1	2	7
-01	2	1	1	1	7
-02	1	1	1	2	8
-03	2	1	1	1	8
-04	1	1	3	2	7
-05	2	1	3	2	7
-06	1	1	3	1	8
-07	2	1	3	1	8
-08	3	1	1	2	7
-09	3	1	1	1	8
-10	1	1	1	1	8
-11	1	1	1	1	8
-12	1	1	1	2	7
-13	1	1	1	2	7
-14	1	1	1	4	7
-15	2	1	1	4	7
-16	1	1	1	3	8
-17	2	1	1	3	8
-18	2	1	1	2	8
-19	3	1	1	1	2



1.9.1 CONDENSER SKINS (COVERS), CR430- OPTIONS 1 & 2 & 3

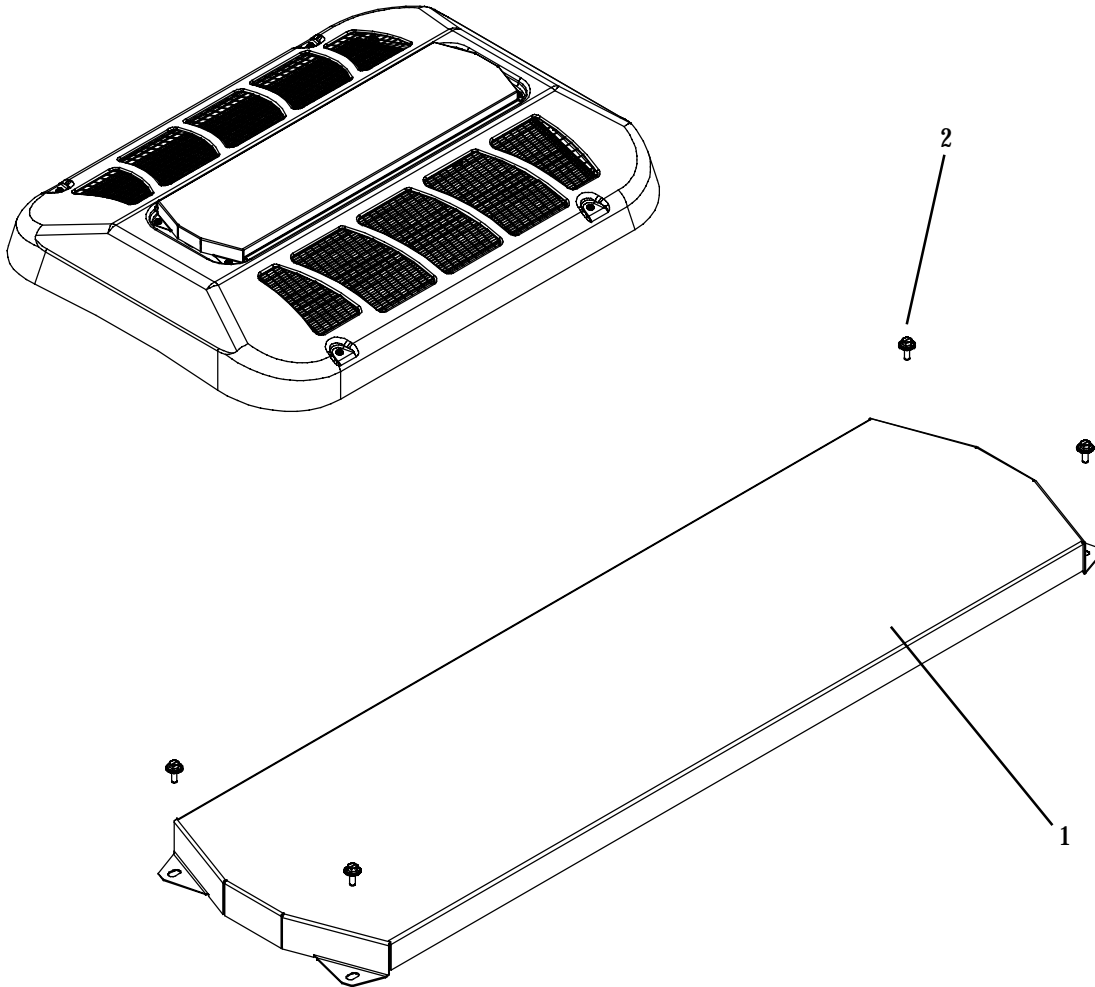


REF: Y19-43001-00 , -01 & -03

Item	Part Number	Description	Qty
1	Y28-00037-00	Cover, CR430 Radius, 4.6M- <b>Option 1</b>	1
	Y28-00037-01	Cover, CR430 Radius, 7.8M- <b>Option 2</b>	1
	Y28-00037-02	Cover, CR430 Radius, 2.7M- <b>Option 3</b>	1
2	-	Screw, Hex HD SEMS, (Metric) M6 - 1.0 x 20 MM <b>(ALL)</b>	<b>NSI</b>



1.9.2 CONDENSER WINTER GUARD KIT, (ALL)

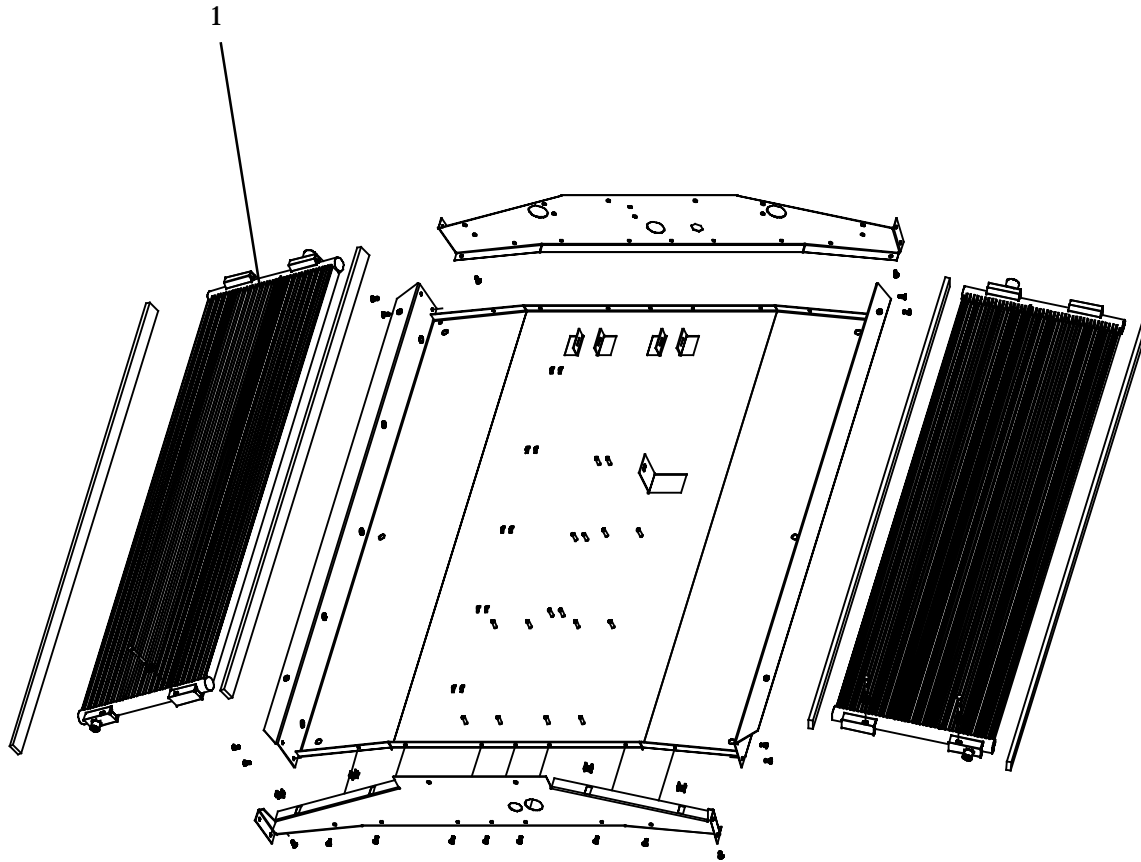


REF: Y19-43010-00

Item	Part Number	Description	Qty
-	REF:	Winter Guard Kit, Includes:	1
1	Y24-00340-00	Cover, Winter Guard	1
2	-	Screw, Hex HD SEMS, (Metric) M6 - 1.0 x 20 MM	NSI



1.9.3 CHASSIS Kit (Coils), CR430- OPTIONS 1 & 2

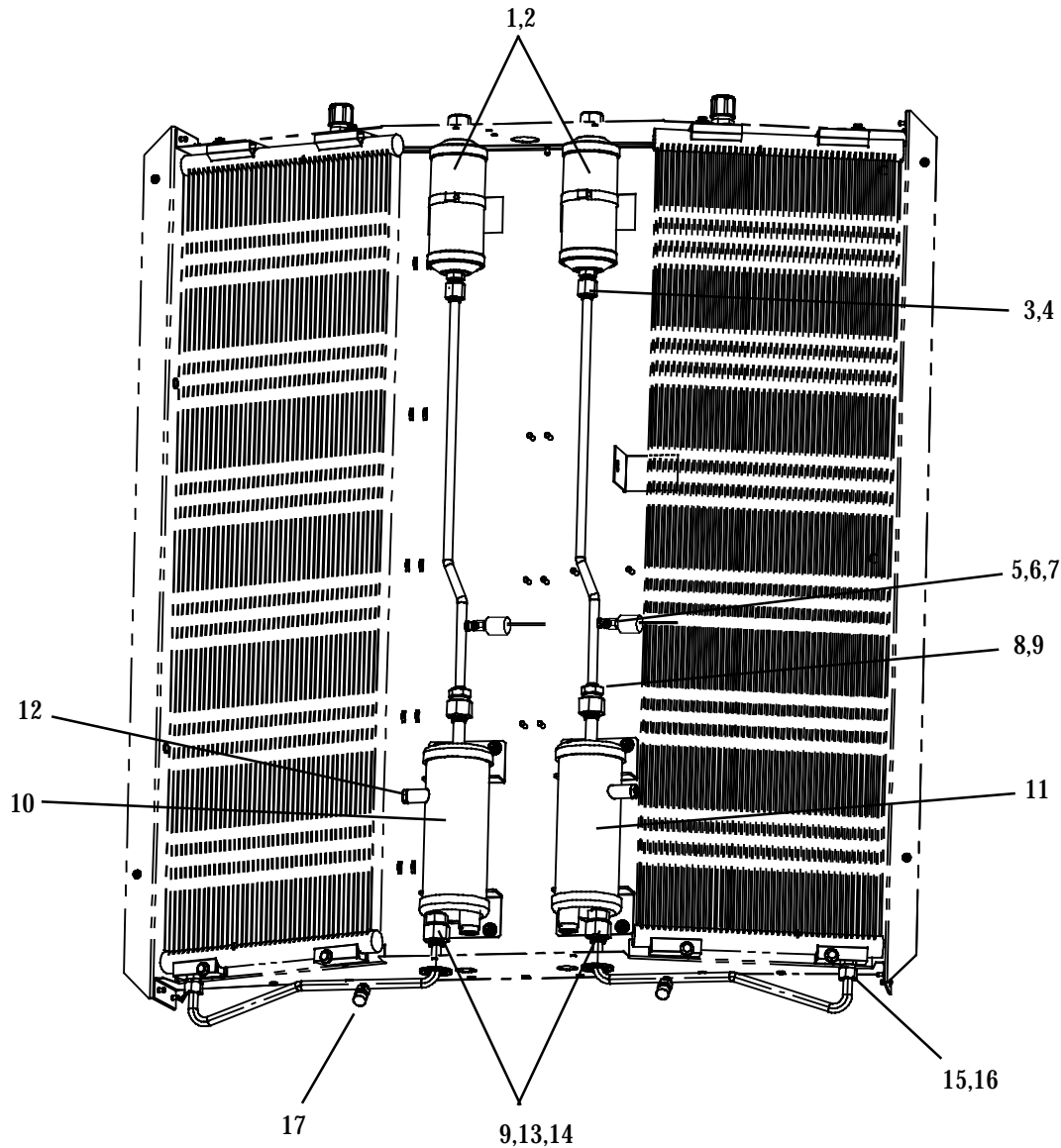


REF: Y19-43002-00 & 01

Item	Part Number	Description	Qty
1	T41-0008-01	Coil ,Condenser, MCHX - <b>Options 1 &amp; 2</b>	2



1.9.4 REFRIGERATION PIPING KIT, CR430, DUAL LOOP- OPTION 1



REF: Y19-43004-00

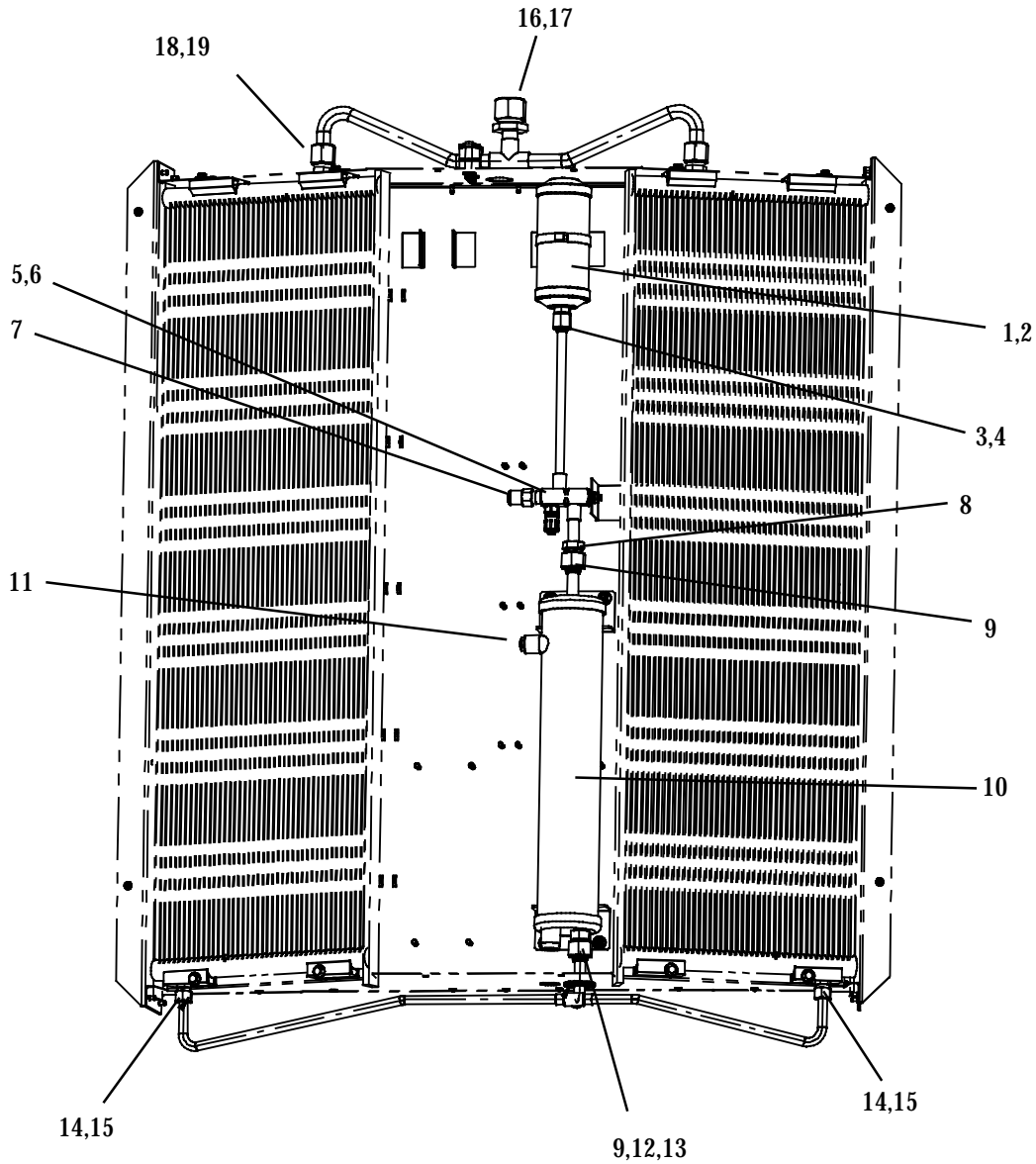
Item	Part Number	Description	Qty
1	14-00326-05	Filter Drier	2
2	42-00243-04	O-Ring, 0.489 ID x 0.070 THK	4
3	40-60008-03	Shoulder, ORS #8 x 1/2" OD Tube	2
4	40-60009-03	Hex Nut, ORS #8 x 1/2" OD Tube	2
5	40-01124-00	Valve Body, Access Port	2
6	14-00351-00	Core, Schrader Valve	2
7	12-00299-03	Switch, High Pressure, Open 350-370 psig / Close 270-300 psig	2
8	40-00491-09	Fitting, ORS Ref. Conn. 1" - 14	2
9	42-00243-03	O-Ring, 0.614 ID x 0.070 THK	4
10	Y26-00054-00	Receiver Tank	1
11	Y26-00054-01	Receiver Tank	1



<b>1.9.4 REFRIGERATION PIPING KIT, CR430, DUAL LOOP- OPTION 1 (Continued)</b>			
<b>Item</b>	<b>Part Number</b>	<b>Description</b>	<b>Qty</b>
12	14-01032-01	Fusible Plug	2
13	40-60008-04	Shoulder, ORS #10 x 5/8" OD Tube	2
14	40-60009-04	Hex Nut, ORS #10 x 5/8" OD Tube	2
15	40-62125-08	Adaptor Nut, Female Insert O-Ring	2
16	42-00243-12	O-Ring, 0.426 ID x 0.070 THK	2
17	40-60042-01	Coupling, M8, R134a	2



1.9.4 REFRIGERATION PIPING KIT, CR430 SINGLE LOOP- OPTION 2



REF: Y19-43005-00

Item	Part Number	Description	Qty
1	14-00326-05	Filter Drier	1
2	42-00243-04	O-Ring, 0.489 ID x 0.070 THK	2
3	40-60008-03	Shoulder, ORS #8 x 1/2" OD Tube	2
4	40-60009-03	Hex Nut, ORS #8 x 1/2" OD Tube	2
5	40-00501-05	Valve, King	1
6	14-00351-00	... Core, Schrader Valve	2
7	40-00501-50	... Cap, King Valve, Service Part	2
8	40-00491-09	Fitting, ORS Ref. Conn. 1" - 14	1
9	42-00243-03	O-Ring, 0.614 ID x 0.070 THK	2
10	Y26-00054-02	Receiver Tank	1
11	14-01032-01	Fusible Plug	2

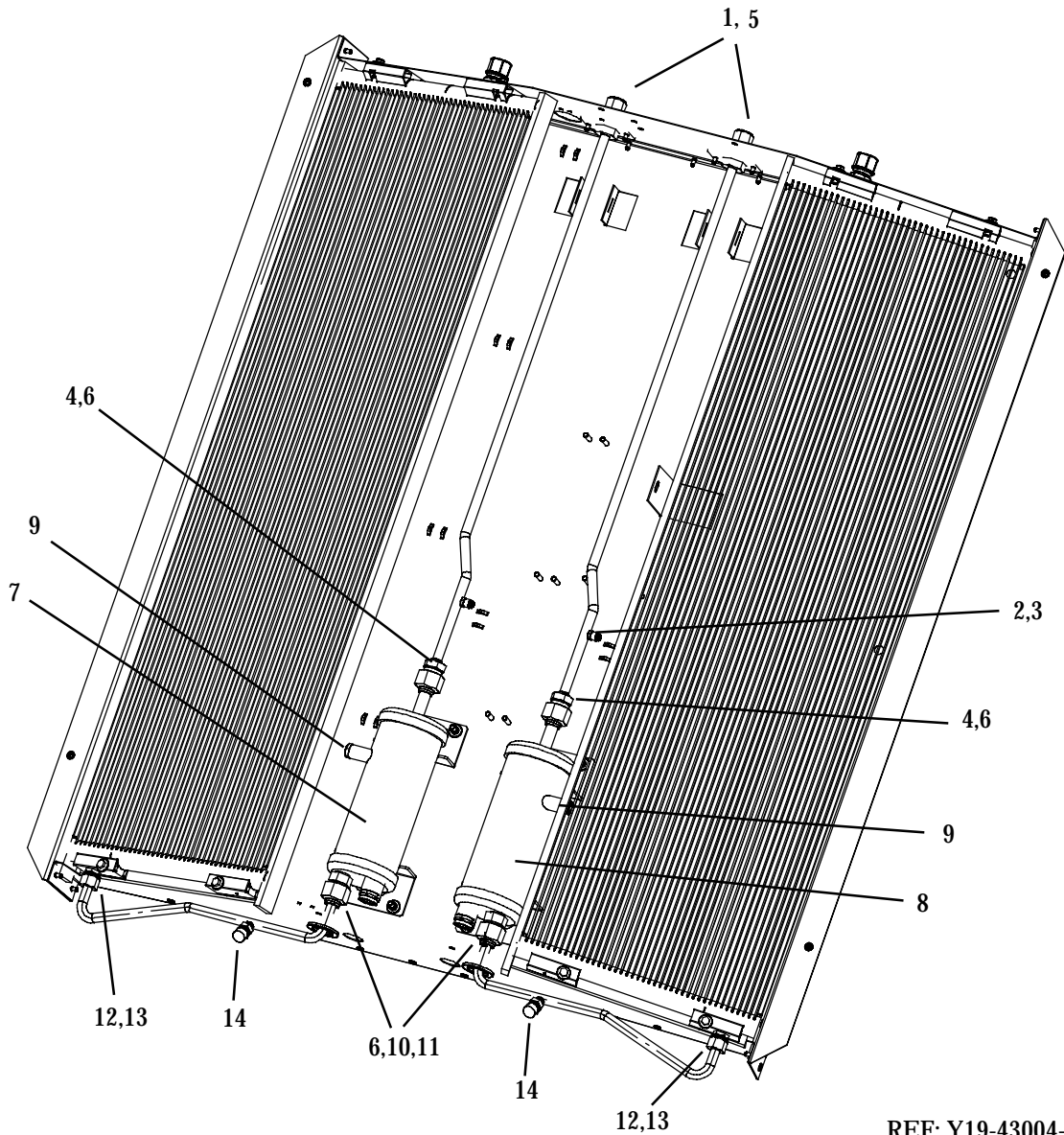


<b>1.9.4 REFRIGERATION PIPING KIT, CR430 SINGLE LOOP- OPTION 2 (Continued)</b>			
<b>Item</b>	<b>Part Number</b>	<b>Description</b>	<b>Qty</b>
12	40-60008-04	Shoulder, ORS #10 x 5/8" OD Tube	1
13	40-60009-04	Hex Nut, ORS #10 x 5/8" OD Tube	1
14	40-62125-08	Adaptor Nut, Female Insert O-Ring	2
15	42-00243-12	O-Ring, 0.426 ID x 0.070 THK	2
16	40-00491-00	Fitting, ORS Ref. Conn. , 1-7/16" - 12 x 7/8" ODF	1
17	42-00243-00	O-Ring, 0.921 ID x 0.139 THK	1
18	27-0069	Nut, Hex, ORP (was 40-67014-03)	2
19	42-00243-11	O-Ring, 0.739 ID x 0.070 THK	2





1.9.4 REFRIGERATION PIPING KIT, CR430 DUAL LOOP (Less Filter Driers) - OPTION 3



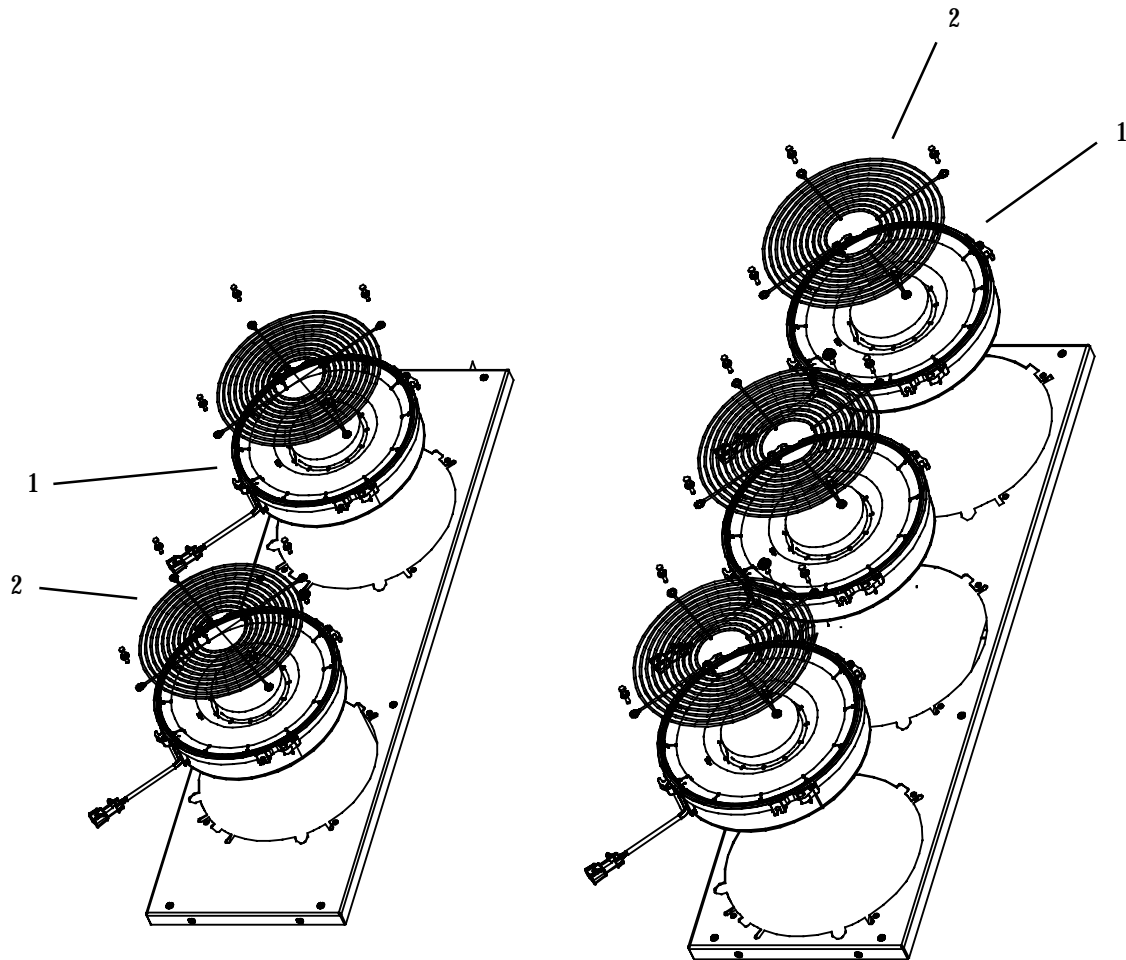
Item	Part Number	Description	Qty
1	42-00243-04	O-Ring, 0.489 ID x 0.070 THK	2
2	40-01124-00	Valve Body, Access Port	2
3	14-00351-00	Core, Schrader Valve	2
4	40-00491-09	Fitting, ORS Ref. Conn. 1" - 14	2
5	40-00491-10	Fitting, ORS Ref. Conn. 13/16" - 16	2
6	42-00243-03	O-Ring, 0.614 ID x 0.070 THK	4
7	Y26-00054-00	Receiver Tank	1
8	Y26-00054-01	Receiver Tank	1
9	14-01032-01	Fusible Plug	2



<b>1.9.4 REFRIGERATION PIPING KIT, CR430 DUAL LOOP (Less Filter Driers) - OPTION 3 (Continued)</b>			
10	40-60008-04	Shoulder, ORS #10 x 5/8" OD Tube	2
11	40-60009-04	Hex Nut, ORS #10 x 5/8" OD Tube	2
12	40-62125-08	Adaptor Nut, Female Insert O-Ring	2
13	42-00243-12	O-Ring, 0.426 ID x 0.070 THK	2
14	40-60042-01	Coupling, M8, R134a	2



1.9.5 FAN & MOTOR KITS, CR430 OPTION 1, 2 & 3



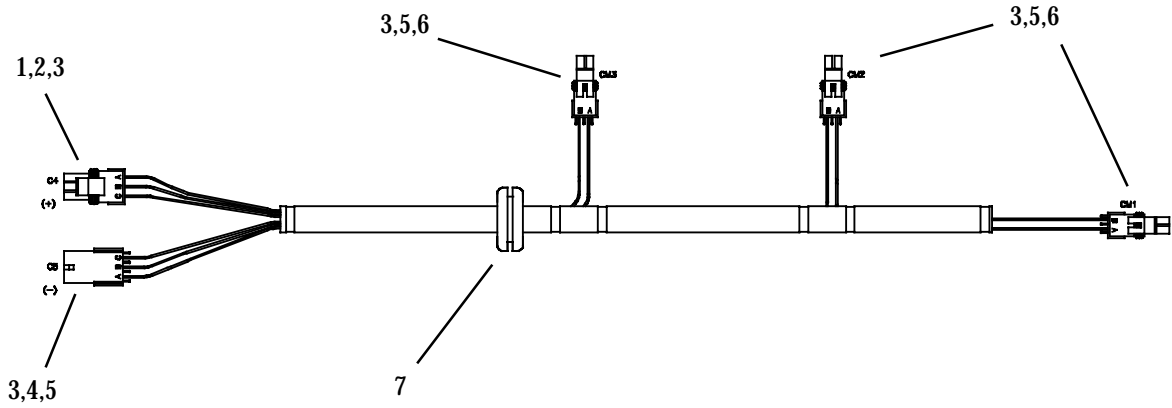
REF: Y19-43003-00, -01, -02 & -03

Item	Part Number	Description	Qty
1	54-00622-01	Fan & Motor Assembly, 12 VDC PM/Brushed- <b>Option 1</b>	3
	54-00622-01	Fan & Motor Assembly, 12 VDC PM/Brushed- <b>Option 2</b>	2
	54-00622-00	Fan & Motor Assembly, 24 VDC PM/Brushed- <b>Option 3</b>	3
	54-00622-00	Fan & Motor Assembly, 24 VDC PM/Brushed- <b>Option 4</b>	2
2	73-67002-00	Grille, Condenser Fan- <b>All Models</b>	A/R



**NOTE: Complete Wire Harnesses are Non-Stock Items. Replacement Components are Listed and can be cross referenced to supplier part number in manual T-375PL.**

**1.9.6 ELECTRICAL KIT, CR430 SINGLE LOOP 3 Fan- Option 1**



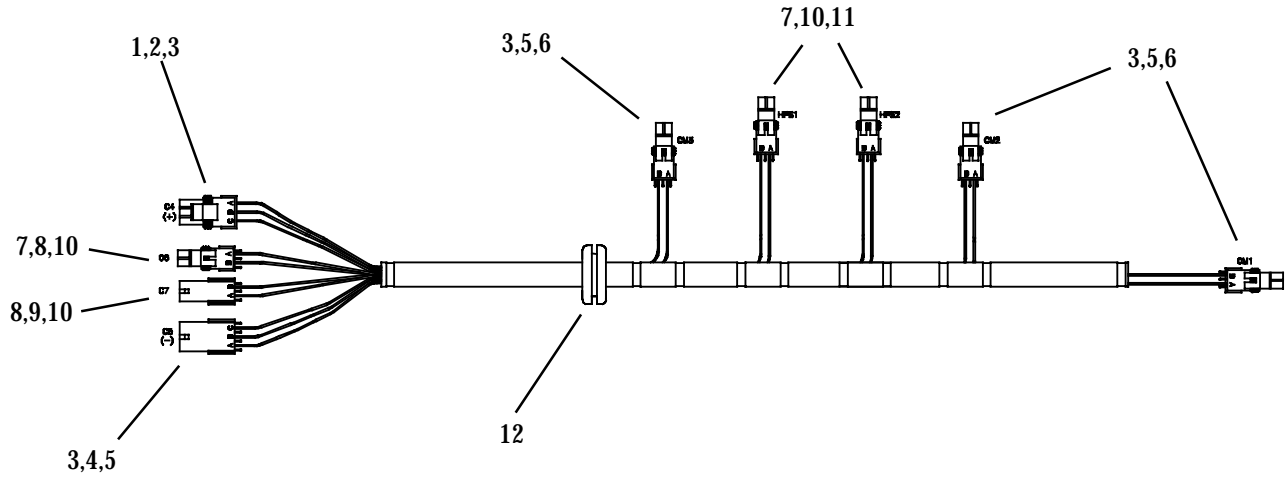
REF: Y19-43006-00

Item	Part Number	Description	Qty
1	22-01585-05	Connector, 3 Position WP (C4) (Packard # 12020829)	1
2	22-02393-00	Terminal, Male (Packard # 12124582)	3
3	22-02394-00	Seal, Cable (Packard # 15324980)	12
4	22-02392-04	Connector, 3 Position WP (C5) (Packard # 12020827)	1
5	22-01566-00	Terminal, Female	9
6	22-01585-00	Connector, 2 Position WP (CM1,2 &3) (Packard/Delphi # 12015792)	3
7	58-00065-52	Grommet	1



**NOTE: Complete Wire Harnesses are Non-Stock Items. Replacement Components are Listed and can be cross referenced to supplier part number in manual T-375PL.**

**1.9.6 ELECTRICAL KIT, CR430 DUAL LOOP 3 Fan- Option 2**



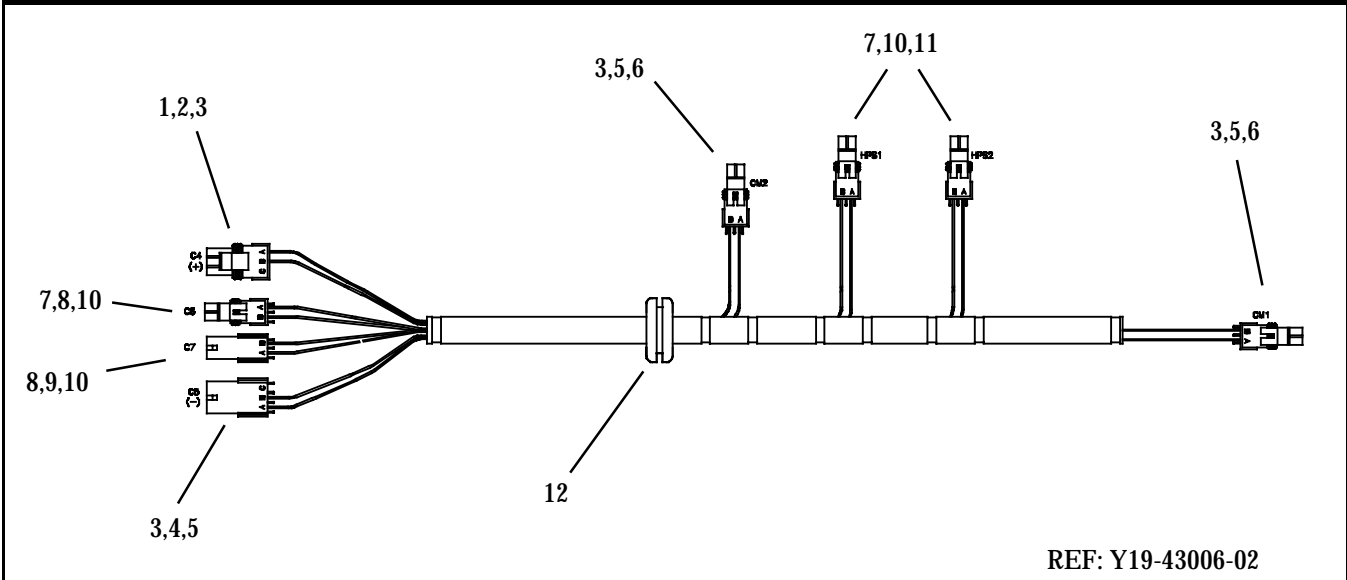
REF: Y19-43006-01

Item	Part Number	Description	Qty
1	22-01585-05	Connector, 3 Position WP (C4) (Packard # 12020829)	1
2	22-02393-00	Terminal, Male, 14-16 AWG (Packard # 12124587)	3
3	22-02394-00	Seal, Cable (Packard # 15324980)	12
4	22-02392-04	Connector, 3 Position WP (C5) (Packard # 12020827)	1
5	22-01566-00	Terminal, Female, 14-16 AWG	9
6	22-01585-00	Connector, 2 Position WP (CM1,2 &3) (Packard/Delphi # 12015792)	3
7	22-01585-02	Connector, 2 Position WP (C6, HPS1 & HPS2) (Packard #12015378)	3
8	22-02393-01	Terminal, Male, 18 AWG (Packard # 12089040)	4
9	22-02392-01	Connector, 2 Position WP (C7) (Packard # 12034074)	1
10	22-02394-02	Seal, Cable (Packard # 15324980)	8
11	22-01566-01	Terminal, Female, 18 AWG (Packard # 12089188)	4
12	58-00065-52	Grommet	1



**NOTE: Complete Wire Harnesses are Non-Stock Items. Replacement Components are Listed and can be cross referenced to supplier part number in manual T-375PL.**

**1.9.6 ELECTRICAL KIT, CR430 DUAL LOOP 2 Fan- Option 3**



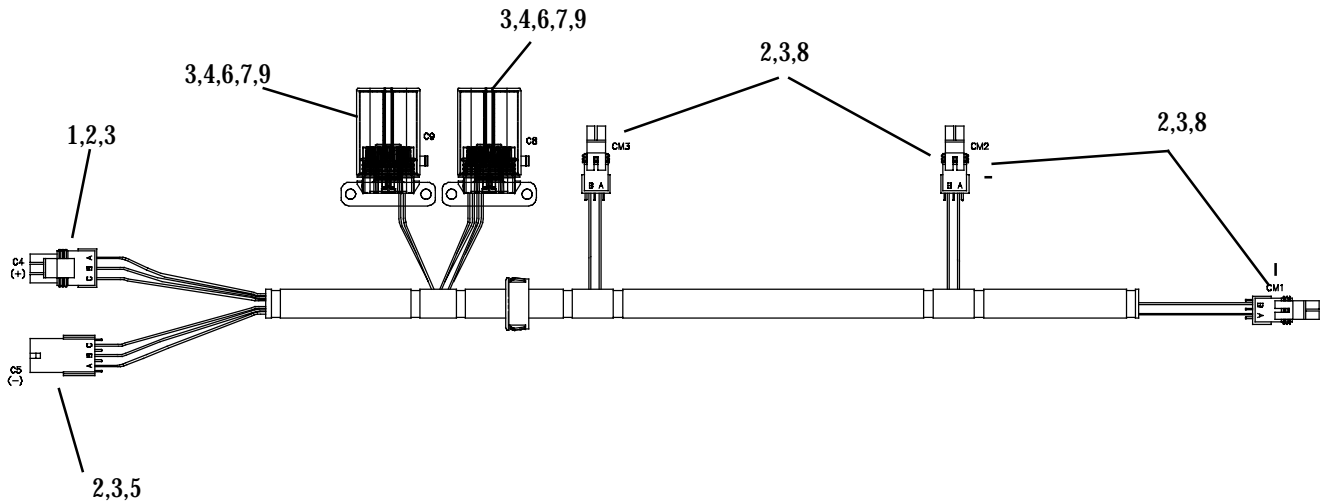
REF: Y19-43006-02

Item	Part Number	Description	Qty
1	22-01585-05	Connector, 3 Position WP (C4) (Packard # 12020829)	1
2	22-02393-00	Terminal, Male, 14-16 AWG (Packard # 12124587)	2
3	22-02394-00	Seal, Cable (Packard # 15324980)	10
4	22-02392-04	Connector, 3 Position WP (C5) (Packard # 12020827)	1
5	22-01566-00	Terminal, Female, 14-16 AWG (Packard/Delphi # 12124580)	6
6	22-01585-00	Connector, 2 Position WP (CM1,2) (Packard/Delphi # 12015792)	2
7	22-01585-02	Connector, 2 Position WP (C6, HPS1 & HPS2) (Packard #12015378)	3
8	22-02393-01	Terminal, Male, 18 AWG (Packard # 12089040)	4
9	22-02392-01	Connector, 2 Position WP (C7) (Packard # 12034074)	1
10	22-02394-02	Seal, Cable (Packard # 15324980)	8
11	22-01566-01	Terminal, Female, 18 AWG (Packard # 12089188)	4
12	58-00065-52	Grommet	1



**NOTE: Complete Wire Harnesses are Non-Stock Items. Replacement Components are Listed and can be cross referenced to supplier part number in manual T-375PL.**

**1.9.6 ELECTRICAL KIT, CR430 SINGLE LOOP 3 Fan, 24VDC, Circuit Protection Weatherpac Connectors- Option 4**



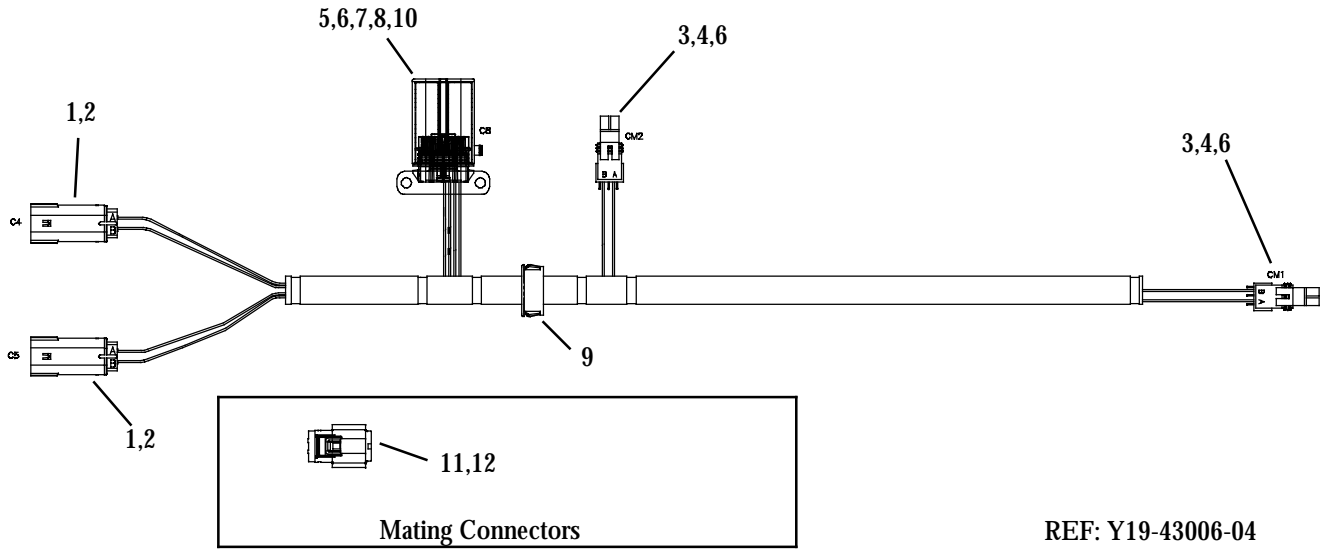
REF: Y19-43006-03

Item	Part Number	Description	Qty
1	22-01585-05	Connector, 3 Position WP (C4) (Packard # 12020829)	1
2	31-1215	Terminal, Female, 12 AWG (was 22-50078-58H)	12
3	22-02394-01	Seal, Cable (Packard # 15324981)	18
4	22-50078-55	Plug, 280 Series (Packard # 12010300)	A/R
5	22-02392-04	Connector, 3 Position WP (C5) (Packard # 12020827)	1
6	Y31-00008-00	Fuse Holder, 8 Cavity (Cooper Bussmann # CFH-ALS)	2
7	22-50078-47E	Terminal, Female, 14-16 AWG (Packard # 12129493)	6
8	22-01585-00	Connector, 2 Position WP (CM1,2,3)	3
9	Y35-00102-01	Circuit Breaker, 15A Manual Reset	3
N/S	Y30-13000-00	Synthetic Lubricant, Connectors	A/R



**NOTE: Complete Wire Harnesses are Non-Stock Items. Replacement Components are Listed and can be cross referenced to supplier part number in manual T-375PL.**

**1.9.6 ELECTRICAL KIT, CR430 SINGLE LOOP 2 Fan, 12VDC, Circuit Protection Molex Connectors- Option 5**



REF: Y19-43006-04

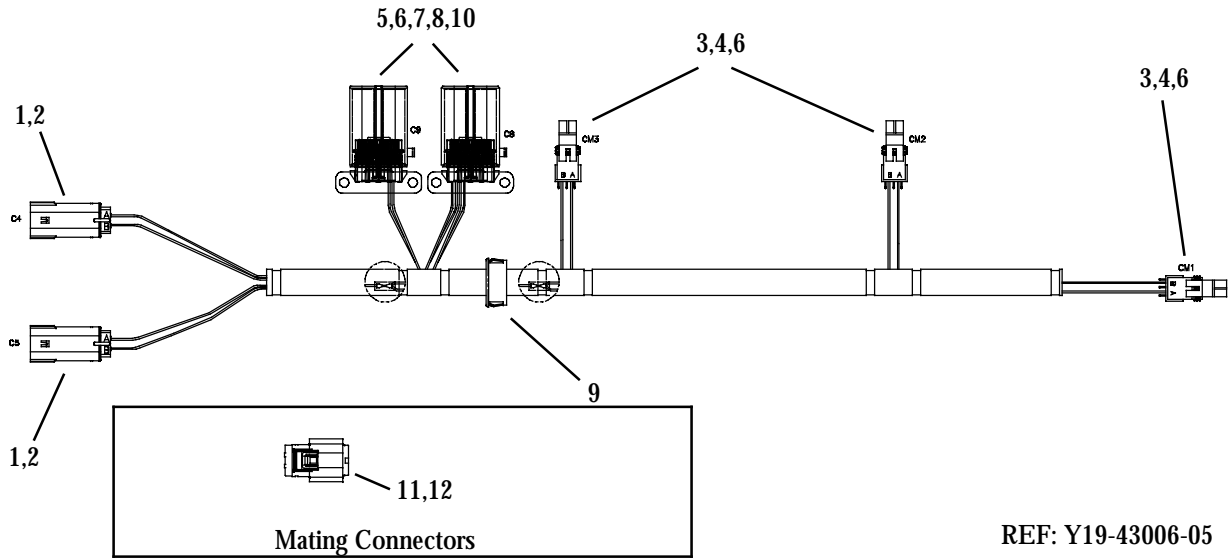
Item	Part Number	Description	Qty
1	22-50099-29	Connector, 2 Position Molex (C4 & C5) (Molex # 19433-0013)	2
2	22-50099-29A	Terminal, Male, Molex, 12 AWG (Molex # 19431-0016)	4
3	22-01585-00	Connector, 2 Position WP (CM1 & CM2 ) (Packard/Delphi # 12015792)	2
4	31-1215	Terminal, Female, 12 AWG (was 22-50078-58H) (Packard #12124581)	4
5	22-50078-47E	Terminal, Female, 14-16 AWG (Packard # 12129493)	4
6	22-02394-01	Seal, Cable (Packard # 15324981)	12
7	22-50078-55	Plug, 280 Series (Packard # 12010300)	A/R
8	Y31-00008-00	Fuse Holder, 8 Cavity (Cooper Bussmann # CFH-ALS)	1
9	58-00661-07	Grommet	1
10	Y35-00102-00	Circuit Breaker, 25A Manual Reset	2
11	22-50099-28	Mating Connector, 2 Position Molex, 8 AWG (C4 & C5) (Molex # 19432-0014)	2
12	22-50099-28A	Terminal, Female, Molex, 8 AWG (Molex # 19434-0004)	4
N/S	Y30-13000-00	Synthetic Lubricant, Connectors	A/R





**NOTE: Complete Wire Harnesses are Non-Stock Items. Replacement Components are Listed and can be cross referenced to supplier part number in manual T-375PL.**

**1.9.6 ELECTRICAL KIT, CR430 SINGLE LOOP 3 Fan, 12VDC, Circuit Protection Molex Connectors- Option 6**



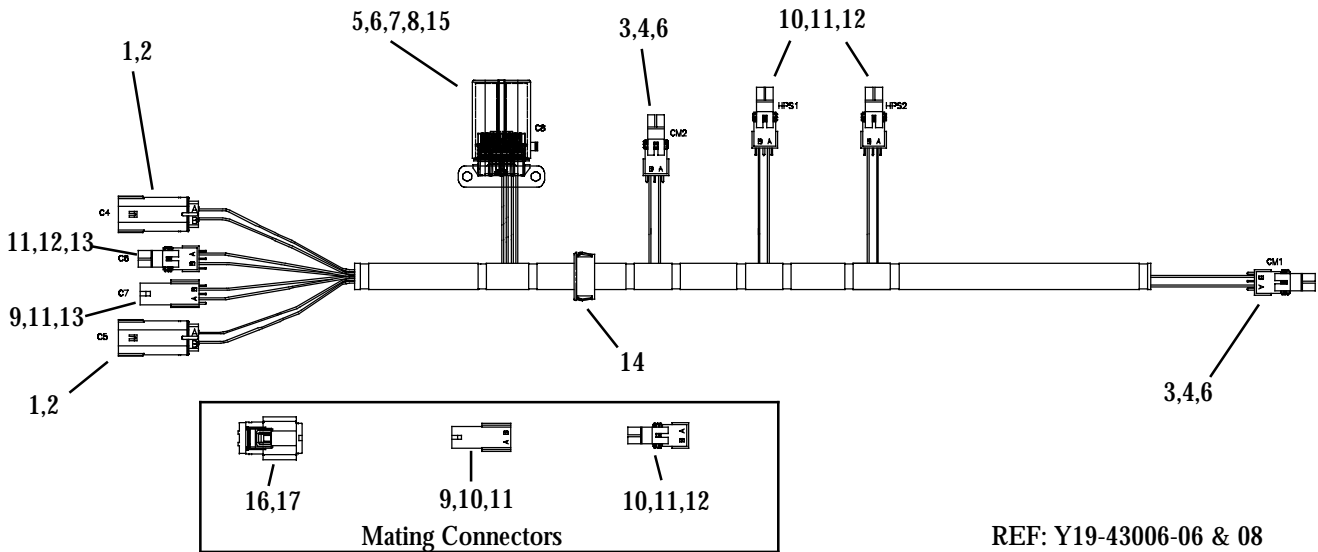
REF: Y19-43006-05

Item	Part Number	Description	Qty
1	22-50099-29	Connector, 2 Position Molex (C4 & C5) (Molex # 19433-0013)	2
2	22-50099-29A	Terminal, Male, Molex, 12 AWG (Molex # 19431-0016)	4
3	22-01585-00	Connector, 2 Position WP (CM1,CM2 & CM3 ) (Packard/Delphi # 12015792)	3
4	31-1215	Terminal, Female, 12 AWG (was 22-50078-58H) (Packard #12124581)	6
5	22-50078-47E	Terminal, Female, 14-16 AWG (Packard # 12129493)	6
6	22-02394-01	Seal, Cable (Packard # 15324981)	12
7	22-50078-55	Plug, 280 Series (Packard # 12010300)	A/R
8	Y31-00008-00	Fuse Holder, 8 Cavity (Cooper Bussmann # CFH-ALS)	2
9	58-00661-07	Grommet	1
10	Y35-00102-00	Circuit Breaker, 25A Manual Reset	3
11	22-50099-28	Mating Connector, 2 Position Molex, 8 AWG (C4 & C5) (Molex # 19432-0014)	2
12	22-50099-28A	Terminal, Female, Molex, 8 AWG (Molex # 19434-0004)	4
N/S	Y30-13000-00	Synthetic Lubricant, Connectors	A/R



**NOTE: Complete Wire Harnesses are Non-Stock Items. Replacement Components are Listed and can be cross referenced to supplier part number in manual T-375PL.**

**1.9.6 ELECTRICAL KIT, CR430 DUAL LOOP 2 Fan, 24 & 12VDC  
Circuit Protect, Press. Switches, Molex Connectors- Option 7**

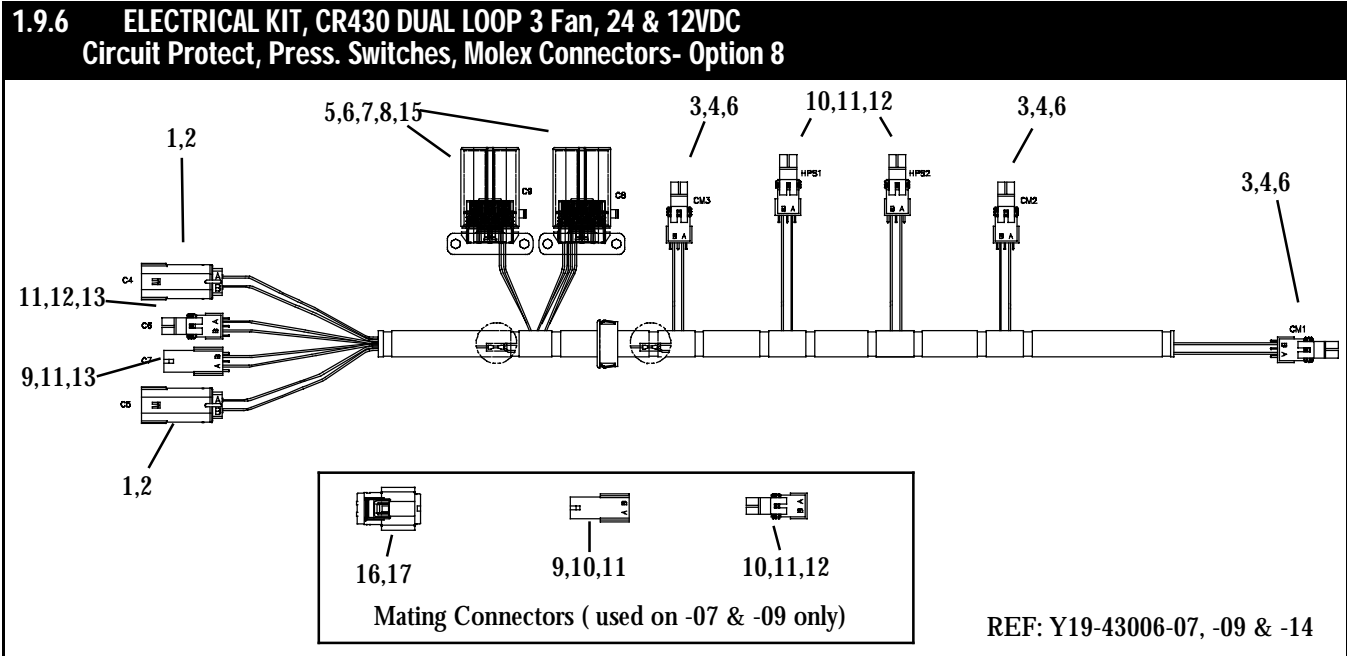


REF: Y19-43006-06 & 08

Item	Part Number	Description	Qty
1	22-50099-29	Connector, 2 Position Molex (C4 & C5) (Molex # 19433-0013)	2
2	22-50099-29A	Terminal, Male, Molex, 12 AWG (Molex # 19431-0016)	4
3	22-01585-00	Connector, 2 Position WP (CM1 & CM2 ) (Packard/Delphi # 12015792)	2
4	31-1215	Terminal, Female, 12 AWG (was 22-50078-58H) (Packard #12124581)	6
5	22-50078-47E	Terminal, Female, 12 AWG (Packard # 12129493)	6
6	22-02394-01	Seal, Cable (Packard # 15324981)	8
7	22-50078-55	Plug, 280 Series (Packard # 12010300)	A/R
8	Y31-00008-00	Fuse Holder, 8 Cavity (Cooper Bussmann # CFH-ALS)	2
9	22-02392-01	Connector, 2 Position Female, WP (Packard # 12034074)	2
10	22-01566-01	Terminal, Female, 18 AWG (Packard # 12020926)	8
11	22-02394-02	Seal, Cable (Packard # 15324980)	8
12	22-01585-02	Connector, 2 Position Male, WP (Packard/Delphi # 12015378)	4
13	22-02393-01	Terminal, Male, 18 AWG (Packard # 12089040)	4
14	58-00661-07	Grommet	1
15	Y35-00102-00	Circuit Breaker, 25A Manual Reset <b>(12 VDC Models)</b>	2
	Y35-00102-01	Circuit Breaker, 15A Manual Reset <b>(24 VDC Models)</b>	2
16	22-50099-28	Mating Connector, 2 Position Molex, 8 AWG (C4 & C5) (Molex # 19432-0014)	2
17	22-50099-28A	Terminal, Female, Molex, 8 AWG (Molex #19434-0004)	4
N/S	Y30-13000-00	Synthetic Lubricant, Connectors	A/R



**NOTE: Complete Wire Harnesses are Non-Stock Items. Replacement Components are Listed and can be cross referenced to supplier part number in manual T-375PL.**



Item	Part Number	Description	Qty
1	22-50099-29	Connector, 2 Position Molex (C4 & C5) (Molex # 19433-0013)	2
2	22-50099-29A	Terminal, Male, Molex, 12 AWG (Molex # 19431-0016)	4
3	22-01585-00	Connector, 2 Position WP (CM1, CM2 & CM3) (Packard/Delphi # 12015792)	3
4	31-1215	Terminal, Female, 12 AWG (was 22-50078-58H) (Packard 12124581)	8
5	22-50078-47E	Terminal, Female, 12 AWG (Packard # 12129493)	6
6	22-02394-01	Seal, Cable (Packard # 15324981)	10
7	22-50078-55	Plug, 280 Series (Packard # 12010300)	A/R
8	Y31-00008-00	Fuse Holder, 8 Cavity (Cooper Bussmann # CFH-ALS)	2
9	22-02392-01	Connector, 2 Position Female, WP (Packard # 12034074)	2
10	22-01566-01	Terminal, Female, 18 AWG (Packard # 12089188)	8
11	22-02394-02	Seal, Cable (Packard # 15324980)	8
12	22-01585-02	Connector, 2 Position Male, WP (Packard/Delphi # 12015378)	4
13	22-02393-01	Terminal, Male, 18 AWG (Packard # 12089040)	4
14	58-00661-07	Grommet	1
15	Y35-00102-00	Circuit Breaker, 25A <b>(12 VDC Models)</b>	3
	Y35-00102-01	Circuit Breaker, 15A <b>(24 VDC Models)</b>	3
16	22-50099-28	Mating Connector, 2 Position Molex, 8 AWG (C4 & C5) (Molex #19434-0004)	2
17	22-50099-28A	Terminal, Female, Molex, 8 AWG (Molex #19434-0004)	4
N/S	Y30-13000-00	Synthetic Lubricant, Connectors	A/R



SECTION 1.10 CONDENSER, 68KR4-101 SERIES

INTRODUCTION

The Mobile Climate Control model 68KR4 series condensers are of lightweight frame construction, designed to be installed on the vehicle roof.

CONFIGURATION IDENTIFICATION

Unit identification information is provided on a plate located inside the condenser. The plate provides the unit model number, the unit serial number and the unit parts identification number (PID). The model number identifies the overall unit configuration while the PID provides information on specific optional equipment and differences in detailed parts.

This section provides a description of and a tabular listing of unit model numbers and PID numbers to assist the reader in identifying the equipment supplied and any required service parts.

OPTION DESCRIPTION

Various options may be factory or field equipped to the base unit. These options are listed in the tables and described in the following subparagraphs.

Skins Kit

The top cover is designed to allow for different mounting arrangements on high roof radius or low roof radius configurations.

Refrigeration Kit

The unit may be fitted with a single or dual loop refrigeration system

Electrical Kit

The unit may be fitted with 12 or 24 volt fan motors.

Frame Kit

The condenser may be fitted with one of two different base assemblies. The assemblies differ depending on single or dual loop refrigerant system configuration.

OPTION LEGEND KR4

<b>Skins Kit 68KR4-101 &amp; 102 Series</b>	
1	Top Cover - Small Radius for High Roof
2	Top Cover - Large Radius for Low Roof
<b>Refrigeration Kit 68KR4-101 Series</b>	
1	Dual Loop
2	Single Loop
3	Dual Loop - Less Filters & Valves
<b>Refrigeration Kit 68KR4-102 Series</b>	
4	Dual Loop
5	Single Loop
6	Dual Loop - Less Filters & Valves
<b>Electrical Kit 68KR4-101 Series</b>	
1	24 VDC W/PM Motors
2	12 VDC W/PM Motors
3	24 VDC W/PM Motors W/Fuse
4	12 VDC W/PM Motors W/Fuse
<b>Electrical Kit 68KR4-102 Series</b>	
5	24 VDC W/PM Motors W/Fuse
6	12 VDC W/PM Motors W/Fuse
<b>Condenser Frame 68KR4-101 &amp; 102 Series</b>	
1	ALL

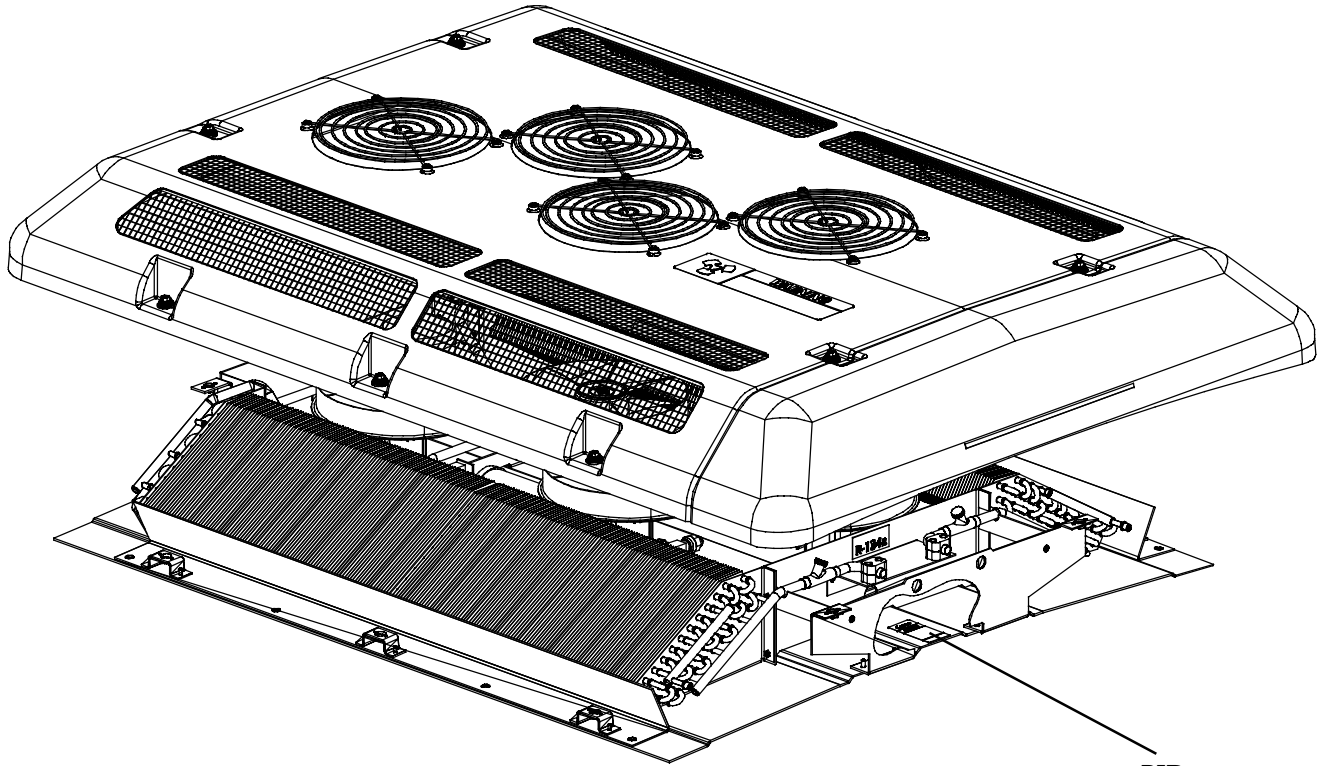


**OPTION TABLE KR4**

<b>MODEL 68KR4</b>	<b>PID Condenser KR4C</b>	<b>Skins Kit (See Section 1.10.2)</b>	<b>Refrigeration Kit (See Section 1.10.3)</b>	<b>Electrical Kit (See Section 1.10.4)</b>	<b>Frame Kit (See Section 1.10.5)</b>
-101	00030	1	1	3	1
-101-1	00031	2	1	1	1
-101-2	00032	1	1	4	1
-101-3	00033	2	1	2	1
-101-4	00034	1	2	3	1
-101-5	00035	2	2	1	1
-101-6	00036	1	2	2	1
-101-7	00037	2	2	2	1
-101-8	00038	1	3	4	1
-101-9	00039	-	1	4	1
-102	00040	1	4	5	1
-102-1	00041	2	4	5	1
-102-2	00042	1	4	6	1
-102-3	00043	2	4	6	1
-102-4	00044	1	5	5	1
-102-5	00045	2	5	5	1
-102-6	00046	2	4	6	1
-102-8	00048	1	6	6	1
-102-9	00049	-	4	6	1
-102-10	N/A	2	4	6	1



1.10.1 CONDENSER, 68KR4-101 & 68KR4-102 SERIES



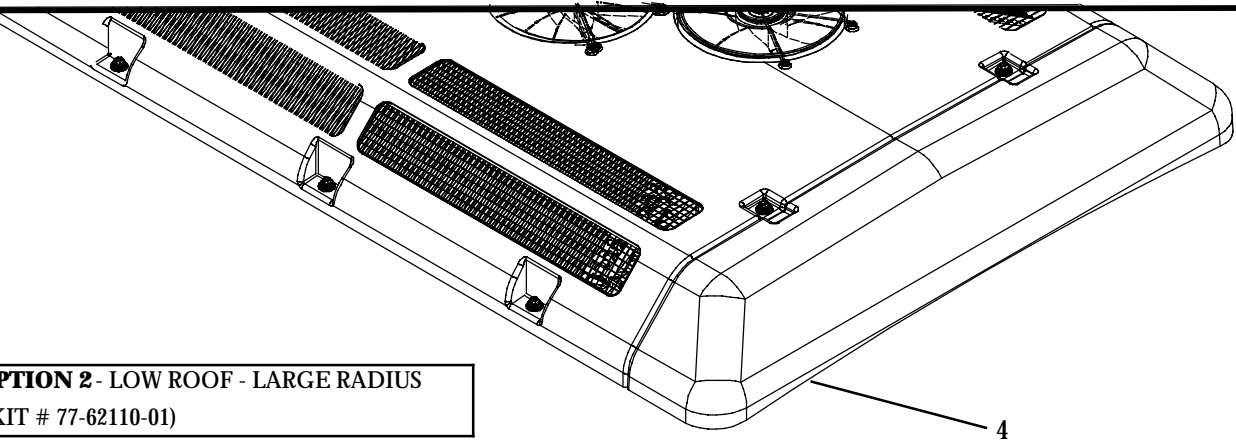
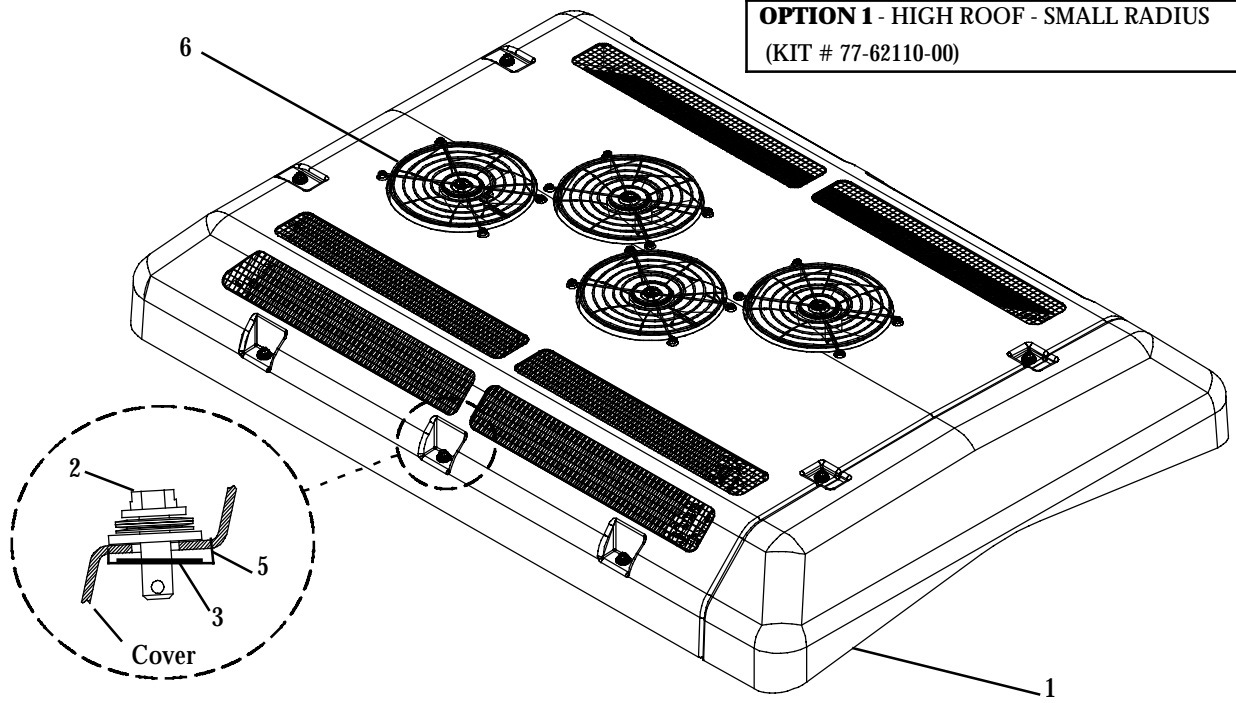
Reference Kit # 77-62111-XX

Used on ALL Models Except KR4-101-9 & KR4-102-9

PID  
Serial/Model-  
Number Plate



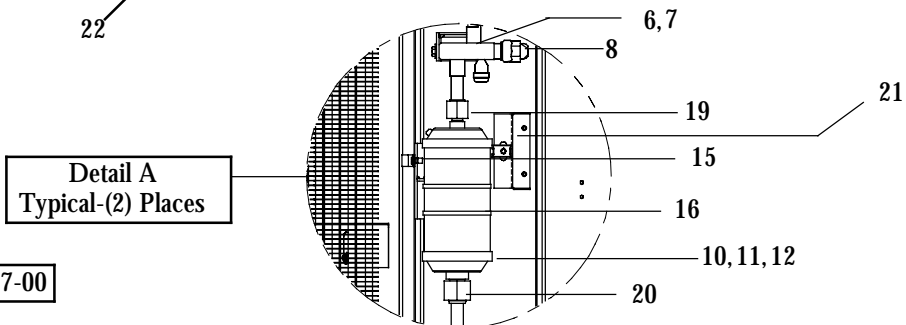
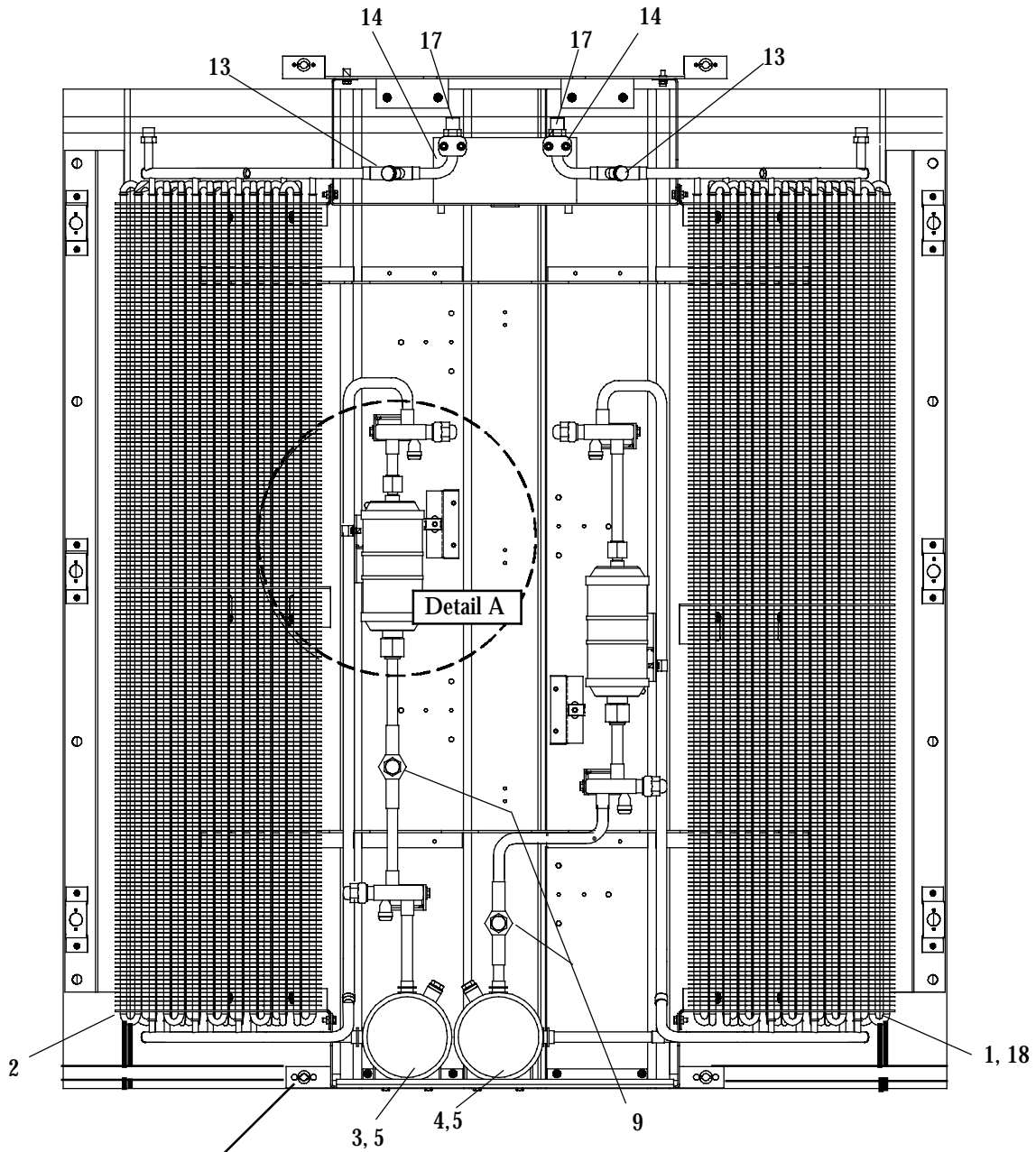
**1.10.2 CONDENSER, 68KR4-101 & 68KR4-102 SERIES, SKINS KIT - OPTION 1 & 2**



Item	Part Number	Description	Qty
<b>OPTION 1</b>			
1	58-62040-00	Cover, Top, Condenser, KR4, High Roof Radius, With End Cap	1
2	34-62015-00	Stud, Captive, 1/4 Turn Camloc	10
3	34-62022-00	Washer, Special, Retaining (Was 34-67025-00)	10
<b>OPTION 2</b>			
4	58-62040-02	Cover, Top, Condenser, KR4, Low Roof Radius, With End Cap	N/A
2	34-62015-00	Stud, Captive, 1/4 Turn Camloc	10
3	34-62022-00	Washer, Special, Retaining (Was 34-67025-00)	10
<b>COMMON PARTS</b>			
5	68-63648-00	Plate, Reinforcing, Cover	10
6	AC030-234	Grill, Cover (was 73-62003-00)	4



1.10.3 CONDENSER, 68KR4-101 SERIES, REFRIGERATION KIT, DUAL LOOP - OPTION 1



KIT #77-62107-00

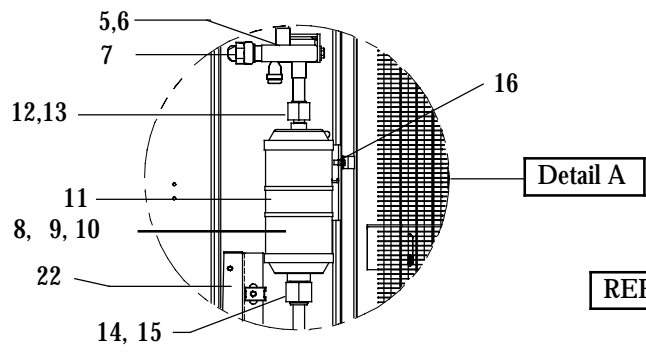
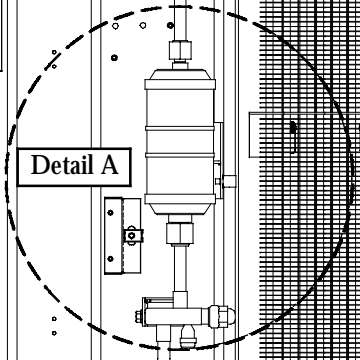
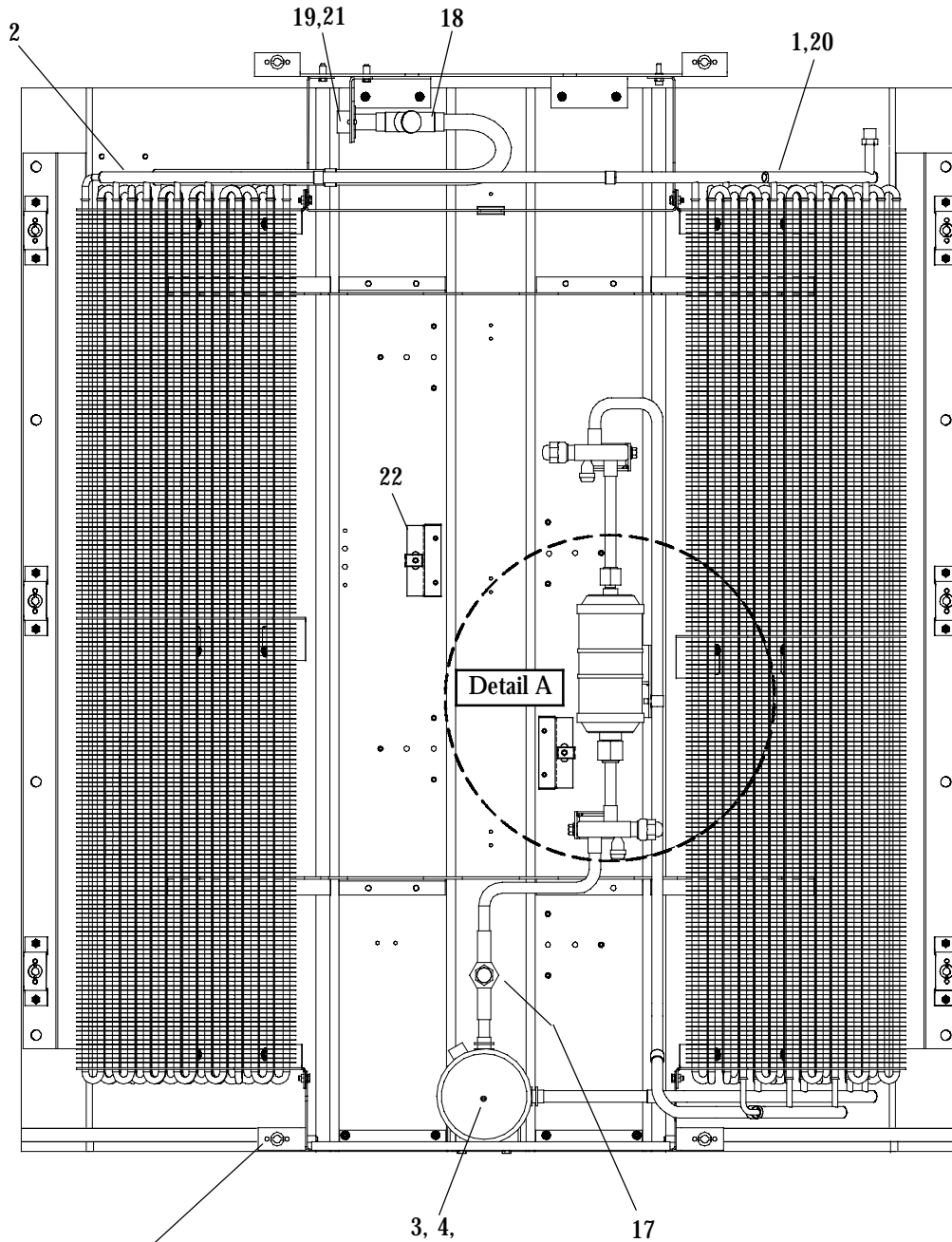




<b>1.10.3 CONDENSER, 68KR4-101 SERIES, REFRIGERANT KIT DUAL LOOP - OPTION 1 - Continued:</b>			
<b>Item</b>	<b>Part Number</b>	<b>Description</b>	<b>Qty</b>
1	08-62038-00	Coil, Condenser, Dual Loop	1
2	08-62038-01	Coil, Condenser, Dual Loop	1
3	65-62003-00	Receiver Assembly, Inlet Right, 5 Inch O.D.	1
4	65-62003-01	Receiver Assembly, Inlet Left, 5 Inch O.D.	1
5	14-01032-01	Plug, Fusible, 3/8 MPT	2
6	40-00501-05	Valve, King, Brass, 5/8 ODF	4
7	14-00351-00	. . . Core, Schrader Valve	2
8	40-00501-50	. . . Cap, King Valve, Service Part	4
9	14-00026-04	Indicator, Liquid & Moisture, 5/8 ODF	2
10	14-00320-00	Filter Drier, 3/4 ORS Inlet X 5/8 Inch ORS Outlet - Includes:	2
11	42-00243-11	. . . O-Ring, .739 ID X .070 Thick	1
12	42-00243-03	. . . O-Ring, .614 ID X .070 Thick	1
13	14-00029-04	Valve, Check, 5/8 ODF	2
14	-	Clamp, Tube, Saddle, 5/8 Inch (With Cover Plate)	<b>NSI</b>
15	-	Clamp, Tube, 0.625 Dia. Cushion	<b>NSI</b>
16	44-00045-20	Clamp, Hose, Worm Type (3.063 - 4.00 Inches)	4
17	40-62032-01	Nut, Swivel Fitting, Male Insert O-Ring, 7/8-14 X 5/8 ODF	2
18	AC801-414	Gasket, Foam, 3/8 X 1.00 Inch X 25 Foot Roll	1
19	40-00503-03	Collar, Tube - 5/8 ORS, Brass	2
20	40-00503-04	Collar, Tube - 5/8 ORS, Nickel Plated Steel	2
21	AC701-101	Nut, Speed, "J" Type, 1/4-20	2
22	34-62016-00	Plate, Locking	2



1.10.3 CONDENSER, 68KR4-101 SERIES, REFRIGERANT KIT, SINGLE LOOP - OPTION 2



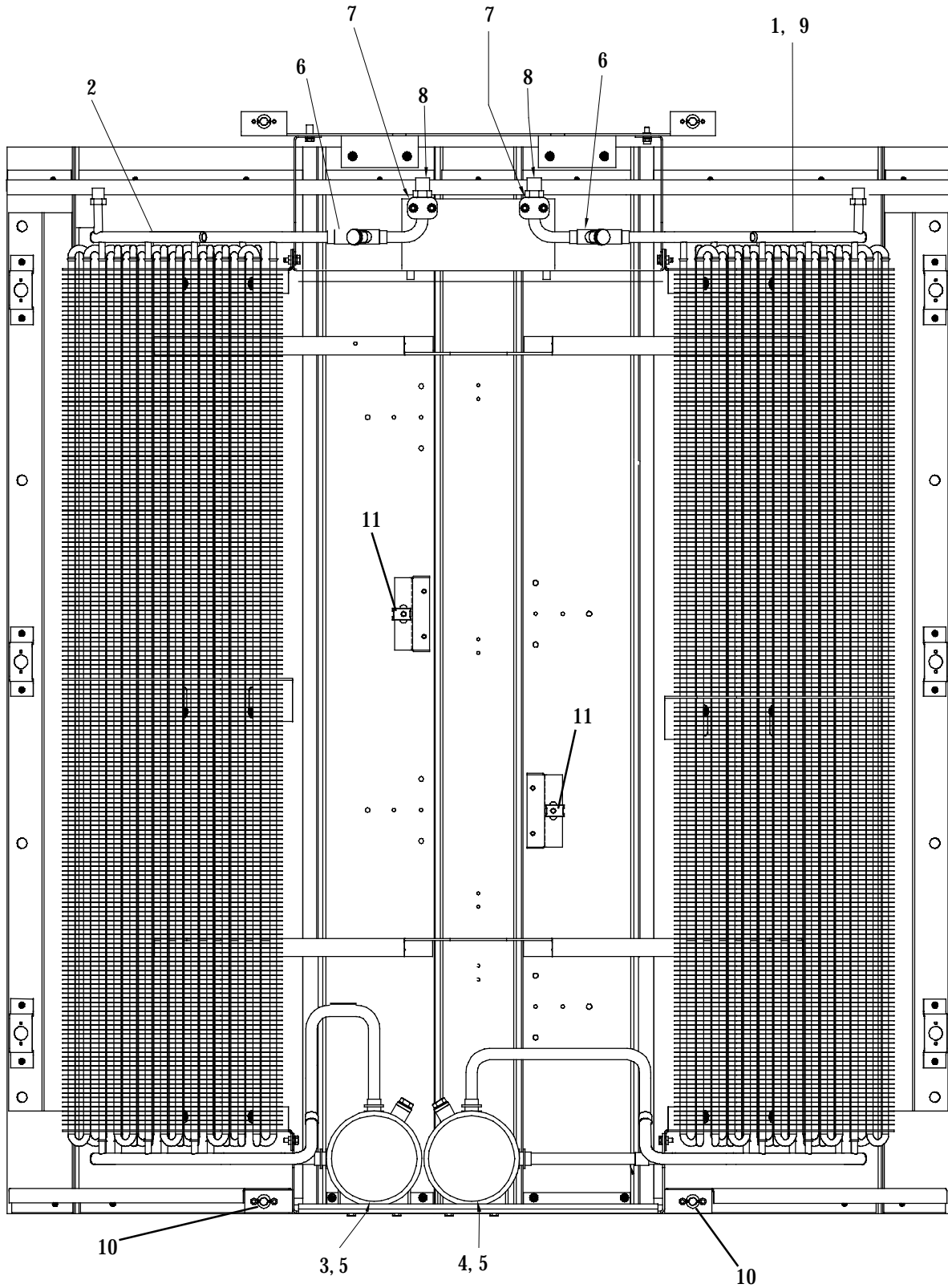
REF. KIT #77-62129-00



<b>1.10.3 CONDENSER, 68KR4-101 SERIES, REFRIGERANT KIT, SINGLE LOOP - OPTION 2 - Continued:</b>			
<b>Item</b>	<b>Part Number</b>	<b>Description</b>	<b>Qty</b>
1	08-62046-00	Coil Assembly, Condenser, Right Side	1
2	08-62046-01	Coil Assembly, Condenser, Left Side	1
3	65-62003-01	Receiver Assembly, Inlet Left, 5 Inch OD	1
4	14-01032-01	Plug, Fusible, Safety, 3/8 NPTF	1
5	40-00501-05	Valve, King, Brass, 5/8 ODF	2
6	14-00351-00	. . . Core, Schrader Valve	2
7	40-00501-50	. . . Cap, King Valve, Service Part	2
8	14-00320-00	Filter Drier, 3/4 ORS Inlet X 5/8 ORS Outlet (41 Cu. In.) - Includes:	1
9	42-00243-11	. . . O-Ring, .739 ID X .070 Thick	1
10	42-00243-03	. . . O-Ring, .614 ID X .070 Thick	1
11	44-00045-20	Clamp, Hose, Worm Type, (3.063 - 4.00 Inches)	2
12	34-06121-04	Nut, Hex, ORS Braze (1-3/16-12 Threads) 12,13	1
13	40-00503-04	Collar, Tube, 5/8 ORS, Nickel Plated Steel	1
14	34-06121-03	Nut, Hex, ORS Braze (1-14 Threads)	1
15	40-00503-03	Collar, Tube - 5/8 ORS, Brass	1
16	-	Clamp, Tube, 0.625 Dia. Cushioned	<b>NSI</b>
17	14-00026-04	Indicator, Liquid & Moisture, 5/8 ODF	1
18	14-00029-09	Valve, Check, 7/8 ODF	1
19	40-00491-00	Fitting, ORS, 7/8 x 1 3/16-12, Brass	1
20	AC801-414	Gasket, Foam, .375 X 1.00 X 25 Foot Roll	1
21	34-06088-00	Nut, Hex, 1-7/16-12, Brass	1
22	AC701-101	Nut, Speed, 'J' Type, 1/4-20	2
23	34-62016-00	Plate, Locking	2



1.10.3 CONDENSER, 68KR4-101 SERIES, REFRIGERATION KIT, DUAL LOOP - OPTION 3



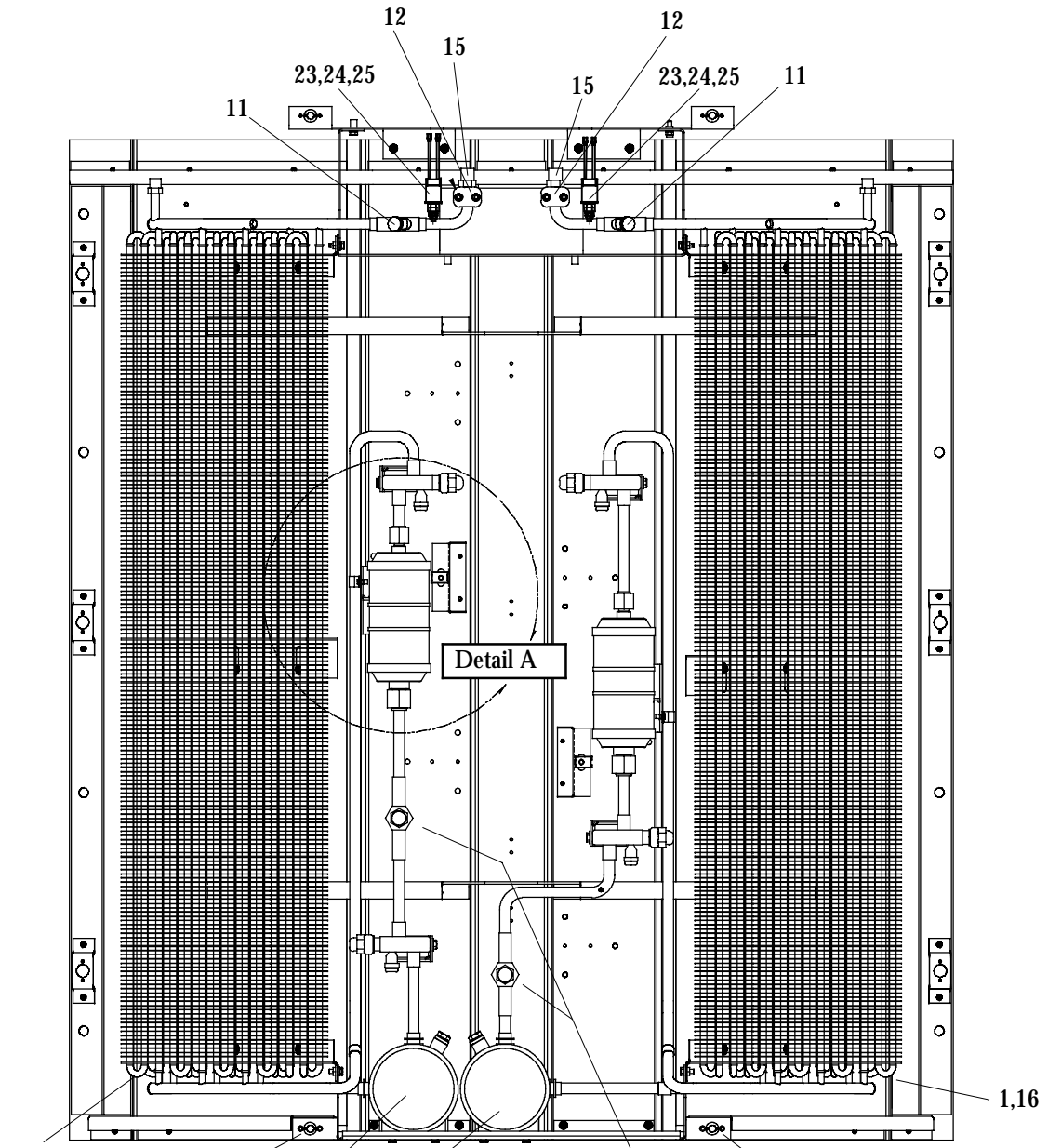
REF. KIT #77-62107-01 (LESS FILTERS & VALVES)



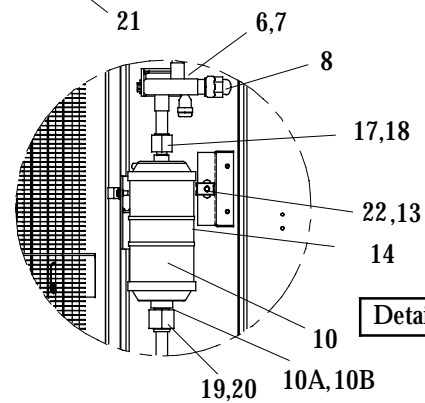
<b>1.10.3 CONDENSER, 68KR4-101 SERIES, REFRIGERANT KIT DUAL LOOP - OPTION 3 - Continued:</b>			
<b>Item</b>	<b>Part Number</b>	<b>Description</b>	<b>Qty</b>
1	08-62038-00	Coil, Condenser, Dual Loop, R.H.	1
2	08-62038-01	Coil, Condenser, Dual Loop, L.H.	1
3	65-62003-00	Receiver Assembly, Inlet Right, 5 Inch O.D.	1
4	65-62003-01	Receiver Assembly, Inlet Left, 5 Inch O.D.	1
5	14-01032-01	Plug, Fusible, 3/8 MPT	2
6	14-00029-04	Valve, Check, 5/8 ODF	2
7	-	Clamp, Tube, Saddle, 5/8 Inch (With Cover Plate)	<b>NSI</b>
8	40-62032-01	Nut, Swivel Fitting, Male Insert O-Ring, 7/8-14 X 5/8 ODF	2
9	AC801-414	Gasket, Foam, 3/8 X 1.00 Inch X 25 Foot Roll	1
10	34-62016-00	Plate, Locking	2
11	AC701-101	Nut, Speed, "J" Type, 1/4-20	2



1.10.3 CONDENSER, 68KR4-102 SERIES, REFRIGERATION KIT, DUAL LOOP - OPTION 4



Detail A



Detail A

REF. UNIT #'s 68KR4-102, -1, -2, -3, -6, -9 & -10

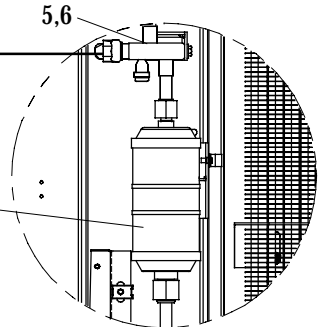
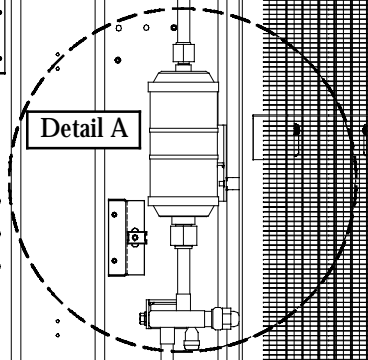
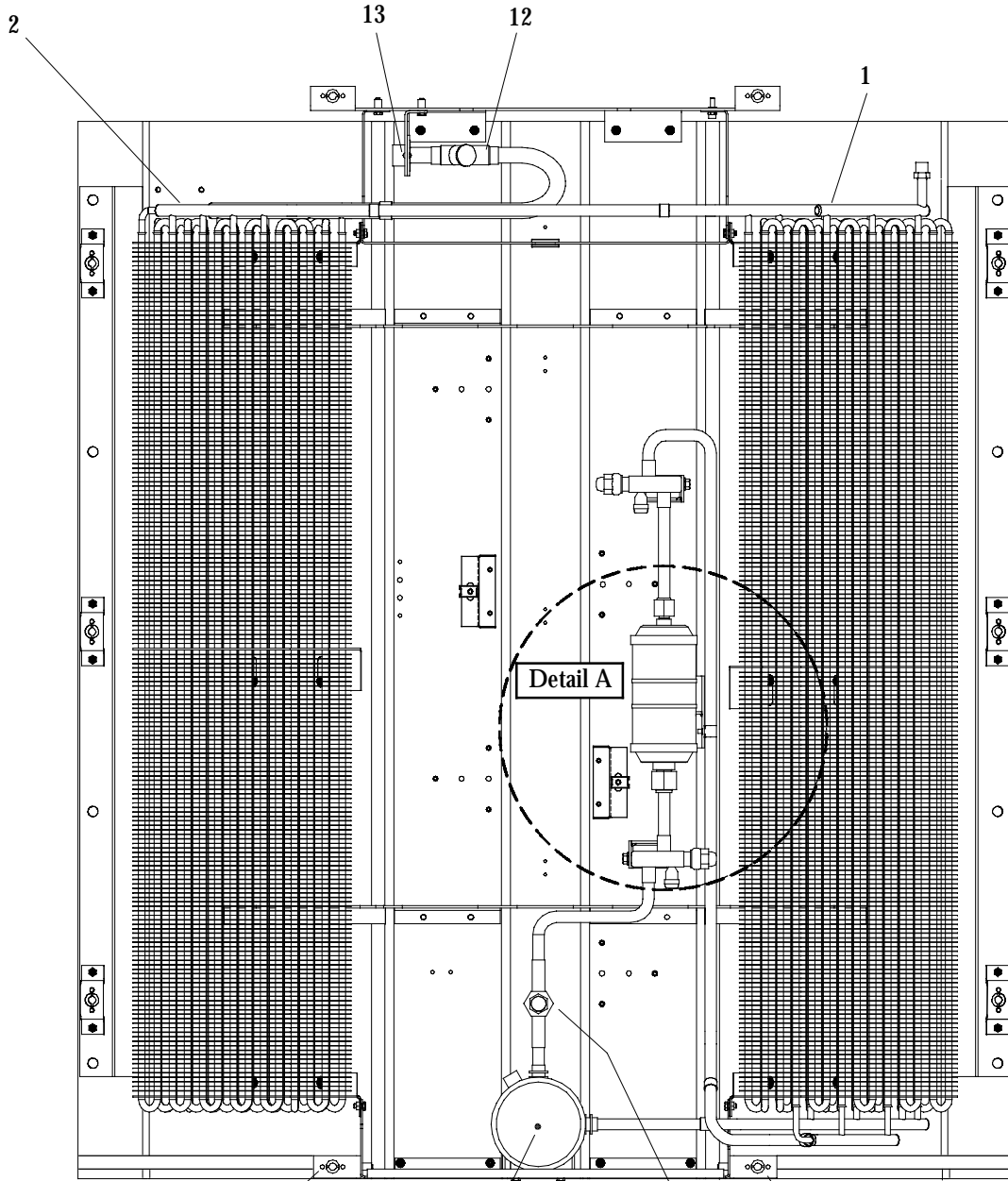
KIT #77-62240-00



<b>1.10.3 CONDENSER, 68KR4-102 SERIES, REFRIGERANT KIT DUAL LOOP - OPTION 4 - Continued:</b>			
<b>Item</b>	<b>Part Number</b>	<b>Description</b>	<b>Qty</b>
1	08-62038-00	Coil, Condenser, Dual Loop, R.H.	1
2	08-62038-01	Coil, Condenser, Dual Loop, L.H.	1
3	65-62003-00	Receiver Assembly, Inlet Right, 5 Inch O.D.	1
4	65-62003-01	Receiver Assembly, Inlet Left, 5 Inch O.D.	1
5	14-01032-01	Plug, Fusible, 3/8 MPT	2
6	40-00501-05	Valve, King, Brass, 5/8 ODF	4
7	14-00351-00	. . . Core, Schrader Valve	2
8	40-00501-50	. . . Cap, King Valve, Service Part	4
9	14-00026-04	Indicator, Liquid & Moisture, 5/8 ODF	2
10	14-00320-00	Filter Drier, 3/4 ORS Inlet X 5/8 Inch ORS Outlet - Includes:	2
10A	42-00243-11	. . . O-Ring, .739 ID X .070 Thick	1
10B	42-00243-03	. . . O-Ring, .614 ID X .070 Thick	1
11	14-00029-04	Valve, Check, 5/8 ODF	2
12	-	Clamp, Tube, Saddle, 5/8 Inch (With Cover Plate)	<b>NSI</b>
13	-	Clamp, Tube, 0.625 Dia. Cushion	<b>NSI</b>
14	44-00045-20	Clamp, Hose, Worm Type (3.063 - 4.00 Inches)	4
15	40-62032-01	Nut, Swivel Fitting, Male Insert O-Ring, 7/8-14 X 5/8 ODF	2
16	AC801-414	Gasket, Foam, 3/8 X 1.00 Inch X 25 Foot Roll	1
17	34-06121-03	Nut, Hex, ORS Braze (1-14 Threads)	2
18	40-00503-03	Collar, Tube - 5/8 ORS, Brass	2
19	34-06121-04	Nut, Hex, ORS Braze (1-3/16-12 Threads)	2
20	40-00503-04	Collar, Tube - 5/8 ORS, Nickel Plated Steel	2
21	34-62016-00	Plate, Locking	2
22	AC701-101	Nut, Speed, "J" Type, 1/4-20	2
23	40-01124-00	Valve Body	2
24	14-00351-00	Core, Schrader	2
25	12-00299-23	Switch, High Pressure	2



1.10.3 CONDENSER, 68KR4-102 SERIES, REFRIGERANT KIT, SINGLE LOOP - OPTION 5



REF. UNIT #'s 68KR4-102-4 & -5  
 REF. KIT #77-62241-00

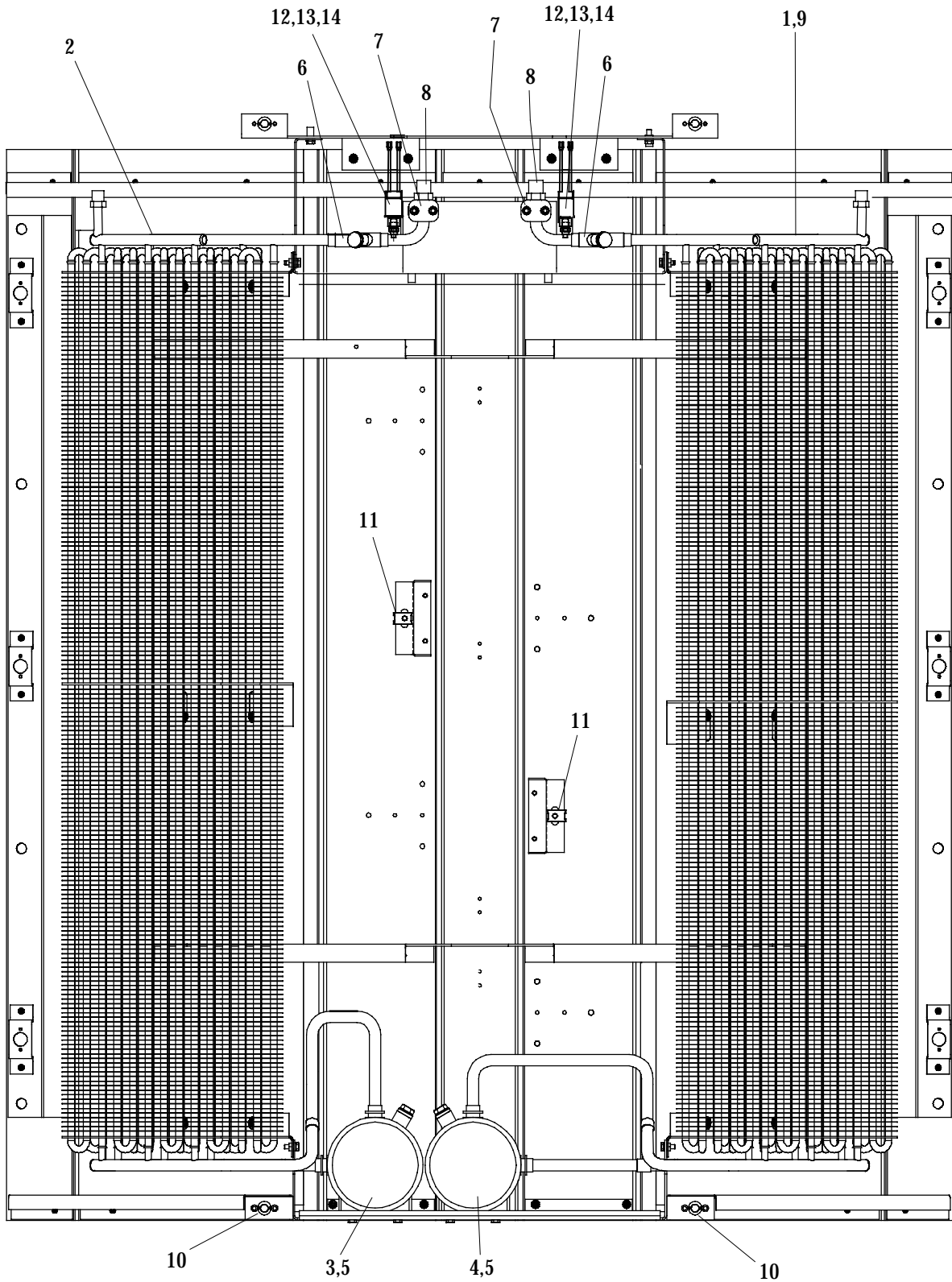




<b>1.10.3 CONDENSER, 68KR4-102 SERIES, REFRIGERANT KIT, SINGLE LOOP - OPTION 5 - Continued:</b>			
<b>Item</b>	<b>Part Number</b>	<b>Description</b>	<b>Qty</b>
1	08-62046-00	Coil Assembly, Condenser, Single Loop	1
2	08-62046-01	Coil Assembly, Condenser, Single Loop	1
3	65-62003-01	Receiver Assembly, Inlet Left, 5 Inch OD	1
4	14-01032-01	Plug, Fusible, Safety, 3/8 NPTF	1
5	40-00501-05	Valve, King, Brass, 5/8 ODF	2
6	14-00351-00	. . . Core, Schrader Valve	2
7	40-00501-50	. . . Cap, King Valve, Service Part	2
8	14-00320-00	Filter Drier, 3/4 ORS Inlet X 5/8 ORS Outlet (41 Cu. In.) - Includes:	1
9	42-00243-11	. . . O-Ring, .739 ID X .070 Thick	1
10	42-00243-03	. . . O-Ring, .614 ID X .070 Thick	1
11	14-00026-04	Indicator, Liquid & Moisture, 5/8 ODF	1
12	14-00029-09	Valve, Check, 7/8 ODF	1
13	34-06088-00	Nut, Hex, 1-7/16-12, Brass	1
14	34-62016-00	Plate, Locking	2



1.10.3 CONDENSER, 68KR4-102 SERIES, REFRIGERATION KIT, DUAL LOOP - OPTION 6



REF. KIT #77-62107-01 (LESS FILTERS & VALVES)

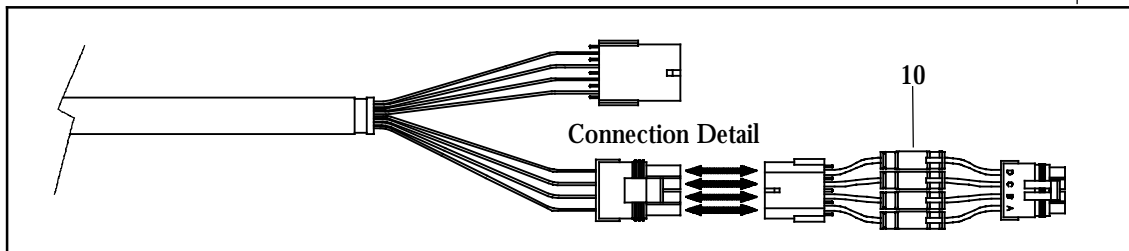
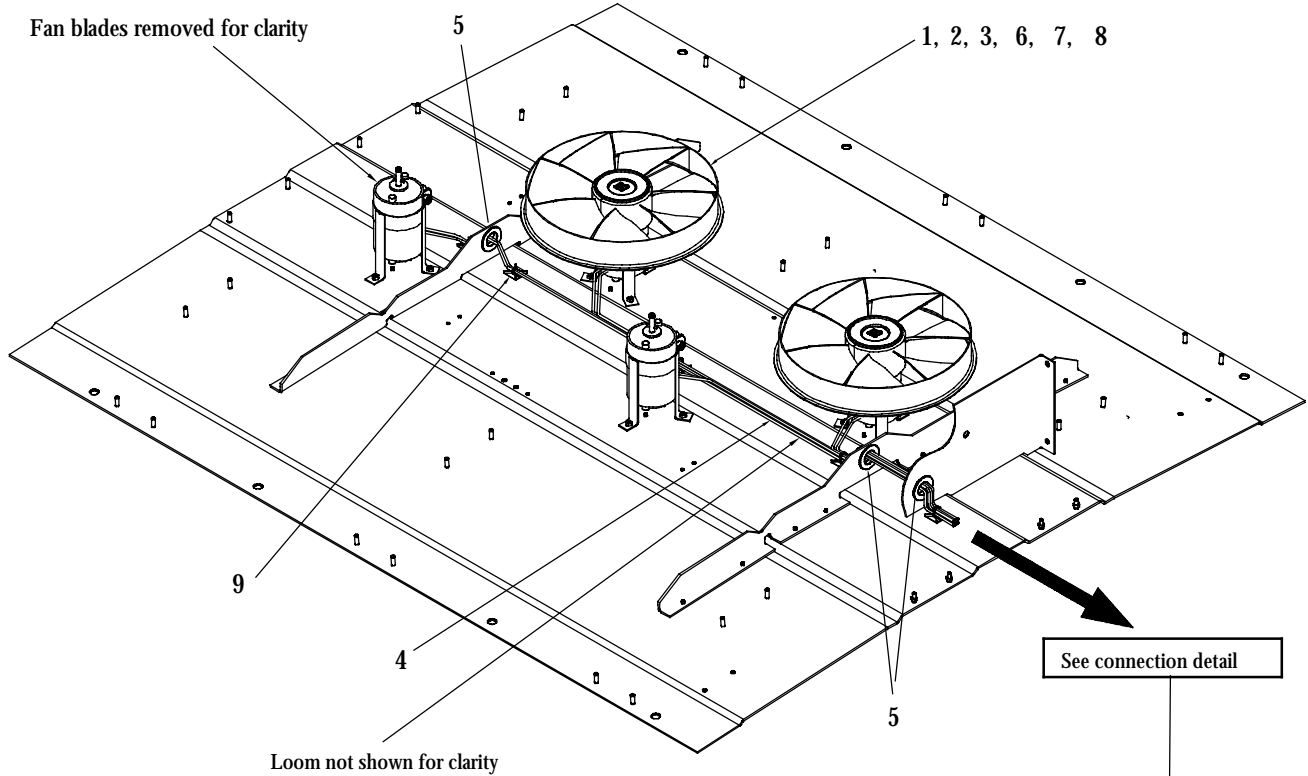


<b>1.10.3 CONDENSER, 68KR4-102 SERIES, REFRIGERANT KIT DUAL LOOP - OPTION 6 - Continued:</b>			
<b>Item</b>	<b>Part Number</b>	<b>Description</b>	<b>Qty</b>
1	08-62038-00	Coil, Condenser, Dual Loop, R.H.	1
2	08-62038-01	Coil, Condenser, Dual Loop, L.H.	1
3	65-62003-00	Receiver Assembly, Inlet Right, 5 Inch O.D.	1
4	65-62003-01	Receiver Assembly, Inlet Left, 5 Inch O.D.	1
5	14-01032-01	Plug, Fusible, 3/8 MPT	2
6	14-00029-04	Valve, Check, 5/8 ODF	2
7	44-00285-81	Clamp, Tube, Saddle, 5/8 Inch (With Cover Plate)	2
8	40-62032-01	Nut, Swivel Fitting, Male Insert O-Ring, 7/8-14 X 5/8 ODF	2
9	AC801-414	Gasket, Foam, 3/8 X 1.00 Inch X 25 Foot Roll	1
10	34-62016-00	Plate, Locking	2
11	AC701-101	Nut, Speed, "J" Type, 1/4-20	2
12	40-01124-00	Valve Body	2
13	14-00351-00	Core, Schrader	2
14	12-00299-23	Pressure Switch, High	2



**NOTE: Complete Wire Harnesses are Non-Stock Items. Replacement Components are Listed and can be cross referenced to supplier part number in manual T-375PL.**

**1.10.4 CONDENSER, 68KR4-101 SERIES, ELECTRICAL KIT - OPTION 1, 2, 3 & 4**



KIT #77-62109-00 (24VDC)  
KIT #77-62109-01 (12VDC)

KIT #77-62109-02 (24VDC W/FUSE)  
KIT #77-62109-03 (12VDC W/FUSE)

Item	Part Number	Description	Qty
<b>OPTION 1</b>			
1	54-00583-00	Motor, 24 VDC	4
<b>OPTION 2</b>			
1	54-00583-01	Motor, 12 VDC	4
<b>OPTION 3</b>			
1	54-00583-00	Motor, 24 VDC	4
10	22-62243-01	Fuse Assembly, 10 Amp, 24VDC	N/A



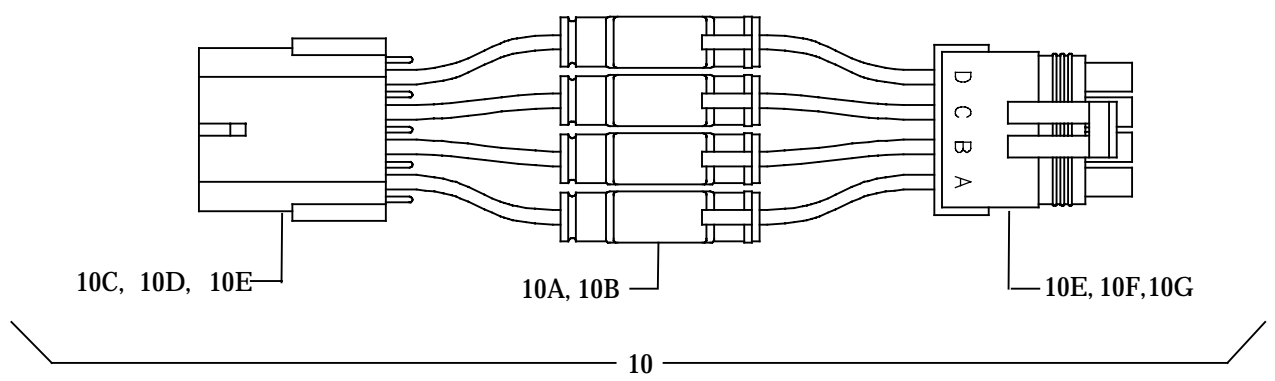
**NOTE: Complete Wire Harnesses are Non-Stock Items. Replacement Components are Listed and can be cross referenced to supplier part number in manual T-375PL.**

**OPTION 4**

1	54-00583-01	Motor, 12 VDC	4
10	22-62243-00	Fuse Assembly, 15 Amp, 12VDC	N/A

**1.10.4 COMMON PARTS, 68KR4-101 SERIES, ELECTRICAL KIT - OPTION 1 THRU 4 - Continued:**

Item	Part Number	Description	Qty
2	38-00566-00	Fan, Condenser	4
3	34-62017-00	Clip, Retaining, Condenser Fan	4
4	22-62153-00	Wire Harness, KR4, DC Motors	<b>NSI</b>
5	58-00065-51	Grommet, 7/8 I.D.	3
6	22-01585-00	Connector, Male, 2 Pin Weatherpack (Packard/Delphi # 12015792)	4
7	22-02393-01	Terminal, Male, 18-20 AWG (Packard # 12089040)	8
8	22-02394-01	Seal, Cable (Packard # 15324981)	8
9	58-00079-02	Sta-Strap, 0-1.75 Inch Diameter Cable	5

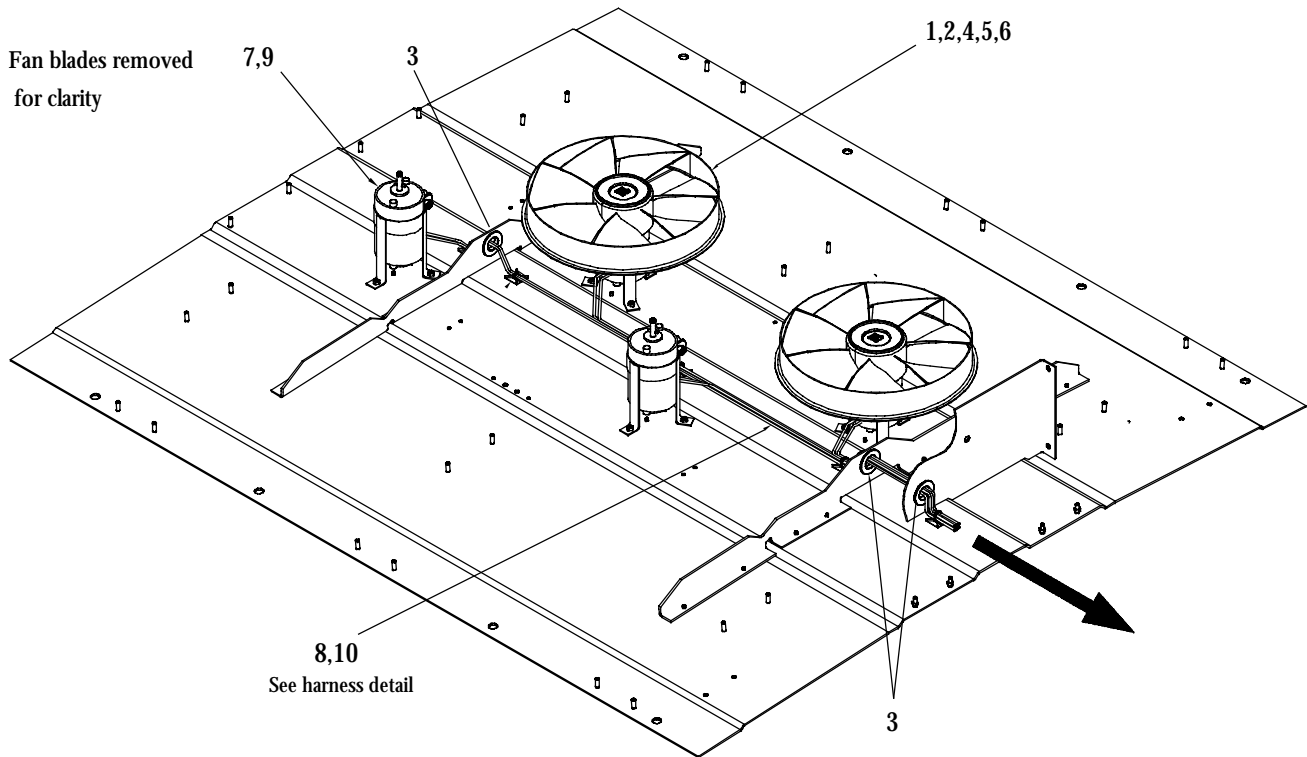


Item	Part Number	Description	Qty
10	-	Fuse Assembly, 15 Amp, 12VDC - Includes:	<b>NSI</b>
10A	22-02336-24	... Fuse, 15 Amps, Blue (Littlefuse # 297015)	4
10B	22-02338-03	... Holder, Fuse (Littlefuse # FHM001)	4
10C	22-02392-03	... Connector, Female, , 4 Pin, Black (Packard # 12010974)	1
10D	22-01566-00	... Terminal, Female (14-16 AWG) (Packard/Delphi # 12124580)	4
10E	22-02394-00	... Seal, Cable, Gray (.11-.14 Cable OD) (Packard # 15324980)	8
10F	22-01585-04	... Connector, Male, 4 Pin, Black (Packard # 12015797)	1
10G	22-02393-00	... Terminal, Male (14-16 AWG) (Packard # 12124582)	4
10	-	Fuse Assembly, 10 Amp, 24VDC - Includes:	<b>NSI</b>
10A	22-02336-23	... Fuse, 10 Amps, Red (Littlefuse # 297010)	4
10B	22-02338-03	... Holder, Fuse (Littlefuse # FHM001)	4
10C	22-02392-03	... Connector, Female, , 4 Pin, Black (Packard # 12010974)	1
10D	22-01566-00	... Terminal, Female (14-16 AWG) (Packard/Delphi # 12124580)	4
10E	22-02394-00	... Seal, Cable, Gray (.11-.14 Cable OD) (Packard 15324980)	8
10F	22-01585-04	... Connector, Male, 4 Pin, Black (Packard # 12015797)	1
10G	22-02393-00	... Terminal, Male (14-16 AWG) (Packard # 12124582)	4



**NOTE: Complete Wire Harnesses are Non-Stock Items. Replacement Components are Listed and can be cross referenced to supplier part number in manual T-375PL.**

**1.10.4 CONDENSER, 68KR4-102 SERIES, ELECTRICAL KIT - OPTIONS 5 & 6**



OPTION 5: KIT #77-62109-02 (24VDC) Used On Models 68KR4-102, -1, -4 & -5

OPTION 6: KIT #77-62109-03 (12VDC) Used On Models 68KR4-102-2, -3, -6, -8, -9 & -10

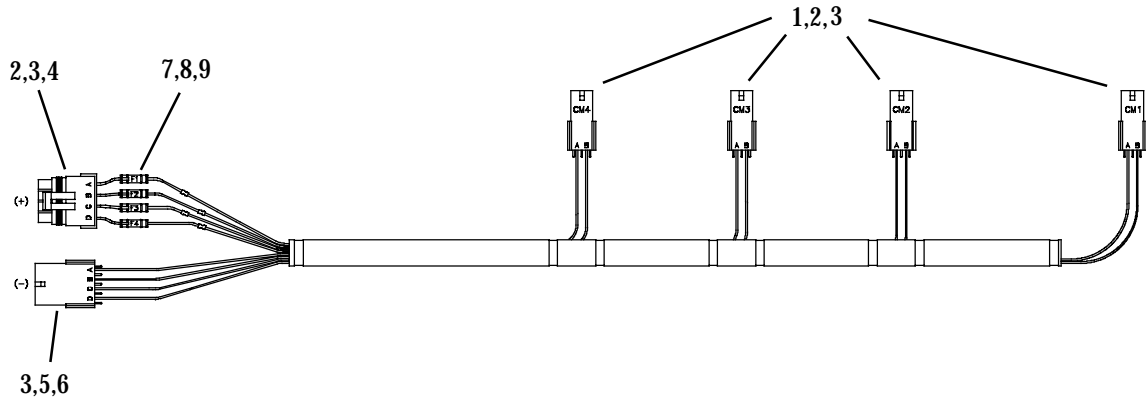
**1.10.4 COMMON PARTS, 68KR4-102 SERIES, ELECTRICAL KIT**

Item	Part Number	Description	Qty
1	38-00566-00	Fan, Condenser	4
2	34-62017-00	Clip, Retaining, Condenser Fan	4
3	58-00065-51	Grommet, 7/8 I.D.	3
4	22-01585-00	Connector, Male, 2 Pin Weatherpack (Packard/Delphi # 12015792)	4
5	22-02393-01	Terminal, Male, 18-20 AWG (Packard # 12089040)	8
6	22-02394-01	Seal, Cable (Packard # 15324981)	8
<b>OPTION 5</b>			
7	54-00583-00	Motor, 24 VDC	4
8	22-62351-01	Wire Harness, 24 VDC Motors	<b>NSI</b>
<b>OPTION 6</b>			
9	54-00583-01	Motor, 12 VDC	4
10	22-62351-00	Wire Harness, 12 VDC Motors	<b>NSI</b>



**NOTE: Complete Wire Harnesses are Non-Stock Items. Replacement Components are Listed and can be cross referenced to supplier part number in manual T-375PL.**

**1.10.4 CONDENSER, 68KR4-102 SERIES HARNESS DETAIL, OPTIONS 5 & 6**



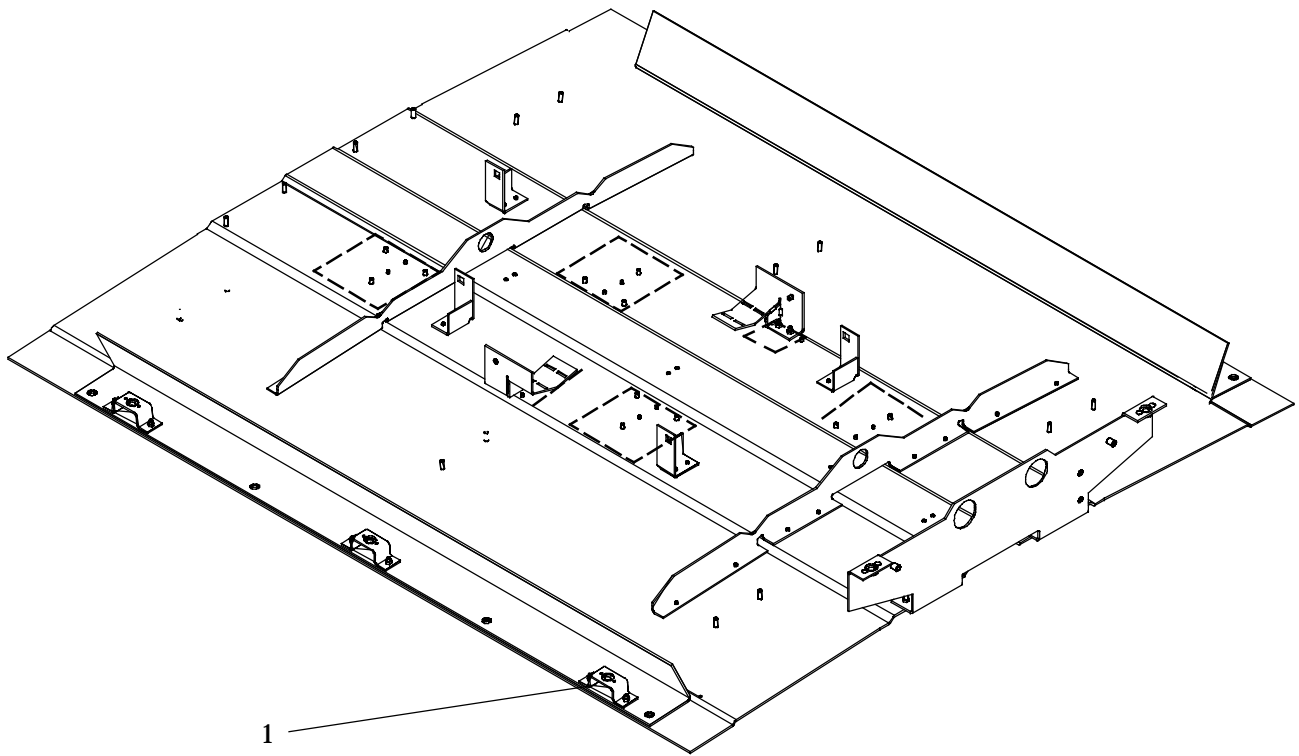
Harness: Option 5 (24VDC) Used On Models 68KR4-102, -1, -4 & -5

Harness: Option 6 (12VDC) Used On Models 68KR4-102-2, -3, -6, -8, -9 & -10

Item	Part Number	Description	Qty
1	22-02392-00	Connector, Female, Weatherpac (2 position)	4
2	22-01566-00	Terminal, Female (14-16 AWG)	12
3	22-02394-00	Seal, Cable (Gray) (Packard # 15324981)	16
4	22-01585-04	Connector, Weatherpac (4 position) (Packard # 12015797)	1
5	22-02393-00	Terminal, Male (14-16 AWG) (Packard # 12124582)	4
6	22-02392-03	Connector, Weatherpac (4 position) (Packard # 12010974)	1
7	22-02338-03	Holder, Fuse (Littlefuse # FHM001)	4
8	22-02336-24	Fuse, 15 A (24 VDC) <b>Option 5 Only</b> (Littlefuse # 297015)	4
9	22-02336-25	Fuse, 20 A (12 VDC) <b>Option 6 Only</b> (Littlefuse # 297020)	4



1.10.5 68KR4-101 SERIES, FRAME KIT, OPTION 1 (ALL)

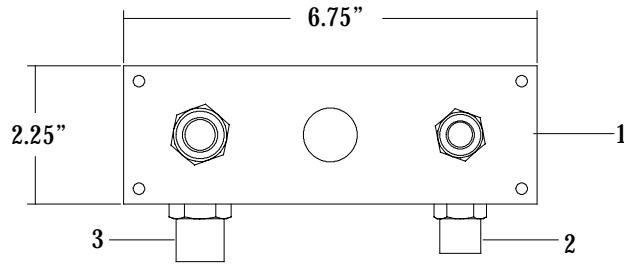
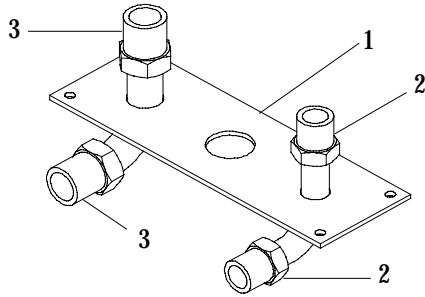


Item	Part Number	Description	Qty
1	34-62016-00	Plate, Locking	8





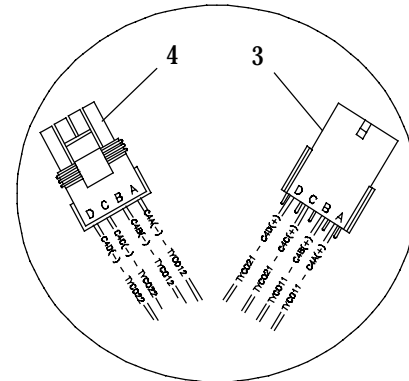
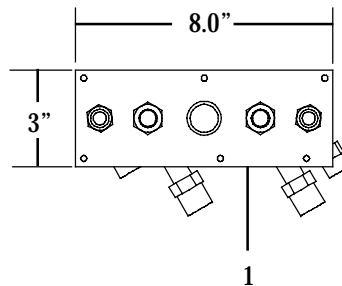
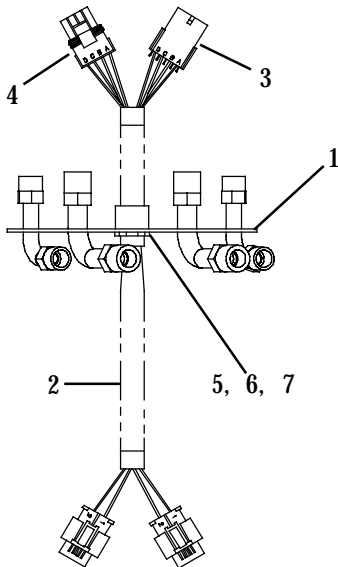
**1.10.6 KR4 FEED-THROUGH PLATE ASSEMBLY**



Item	Part Number	Description	Qty
1	-	Plate Assembly (6.75 x 2.25 Inches), Includes:	N/A
2	40-62032-02	... Nut, 3/4-16 UNF x 1/2 OD	2
3	40-62032-01	... Nut, 7/8-14 UNF x 5/8 OD	2

**NOTE: Complete Wire Harnesses are Non-Stock Items. Replacement Components are Listed and can be cross referenced to supplier part number in manual T-375PL.**

**1.10.7 KR4 BULKHEAD FEED-THROUGH ASSEMBLY (79-62105-00 REFERENCE ONLY)**



Item	Part Number	Description	Qty
1	79-62105-00	Assembly, Feed-Through Bulkhead, KR4 (8 x 3 Inches)	NSI
2	22-62249-00	... Harness, Interface, KR4 - Includes:	NSI
2A	22-50098-71	... Connector, Female, 2 Pin, Black (Tyco # 1544317-1)	2
2B	22-02393-00	... Terminal, Male (14-16 AWG) (Packard # 12124582)	4
2C	22-01566-00	... Terminal, Female (14-16 AWG) (Packard/Delphi # 12124580)	4
2D	22-02394-00	... Seal, Cable, Gray (.11-.14 Cable OD) (Packard # 15324980)	8
3	22-02392-03	Connector, Female, 4 Pin, Black (Packard # 12010974)	1
4	22-01585-04	Connector, Male, 4 Pin, Black (Packard # 12015797)	1
5	58-62172-00	Adapter, Male Terminal, 1/2. Gray	NSI
6	22-00118-02	Nut, Lock, 1/2 Inch, Conduit	NSI
7	AC801-203	O-Ring	1



**SECTION 1.11 CONDENSER, 68KR2/3-101 SERIES**

**OPTION TABLE KR2**

**INTRODUCTION**

The Mobile Climate Control model 68KR2/3 series condensers are of lightweight frame construction, designed to be installed on the vehicle roof.

**CONFIGURATION IDENTIFICATION**

Unit identification information is provided on a plate located inside the condenser. The plate provides the unit model number, the unit serial number and the unit parts identification number (PID). The model number identifies the overall unit configuration while the PID provides information on specific optional equipment and differences in detailed parts.

This section provides a description of and a tabular listing of unit model numbers and PID numbers to assist the reader in identifying the equipment supplied and any required service parts.

**OPTION DESCRIPTION**

Various options may be factory or field equipped to the base unit. These options are listed in the tables and described in the following subparagraphs.

**Cover Kit**

The top cover is designed to allow for different mounting arrangements on high roof radius, low roof radius and flat roof configurations.

**Electrical Kit**

The unit may be fitted with 12 or 24 volt fan motors, or with, or without in-line fuse assemblies.

**OPTION LEGEND KR2/3**

<b>Cover Kit KR2</b>	
1	Top Cover - KR2 Flat Roof Radius
2	Top Cover - KR2 High Roof Radius
<b>Cover Kit KR3</b>	
1	Top Cover - KR3 Flat Roof Radius
2	Top Cover - KR3 High Roof Radius
3	Top Cover - KR3 Intermediate Roof Radius
<b>Electrical Kit</b>	
1	12 VDC W/PM Motors
2	24 VDC W/PM Motors
3	12 VDC W/PM Motors & In-Line Fuses
4	24 VDC W/PM Motors & In-Line Fuses

<b>Model 68KR2</b>	<b>PID Condenser KR2</b>	<b>Frame Kit Section 1.11.1</b>	<b>Cover Kit Section 1.11.4</b>	<b>Electrical Kit Section 1.11.5</b>
-101	00073	1	1	1
-101-1	00075	1	1	2
-101-2	00076	1	2	1
-101-3	00077	1	2	2
-101-4	00103	1	1	1
-101-5	00104	1	1	2
-101-6	00105	1	2	1
-101-7	00106	1	2	2
-101-8	00107	1	3	1
-101-9	00108	1	3	1
-101-10	00109	1	1	1
-101-11	00110	1	1	1
-101-12	00111	1	3	1

**OPTION TABLE KR3**

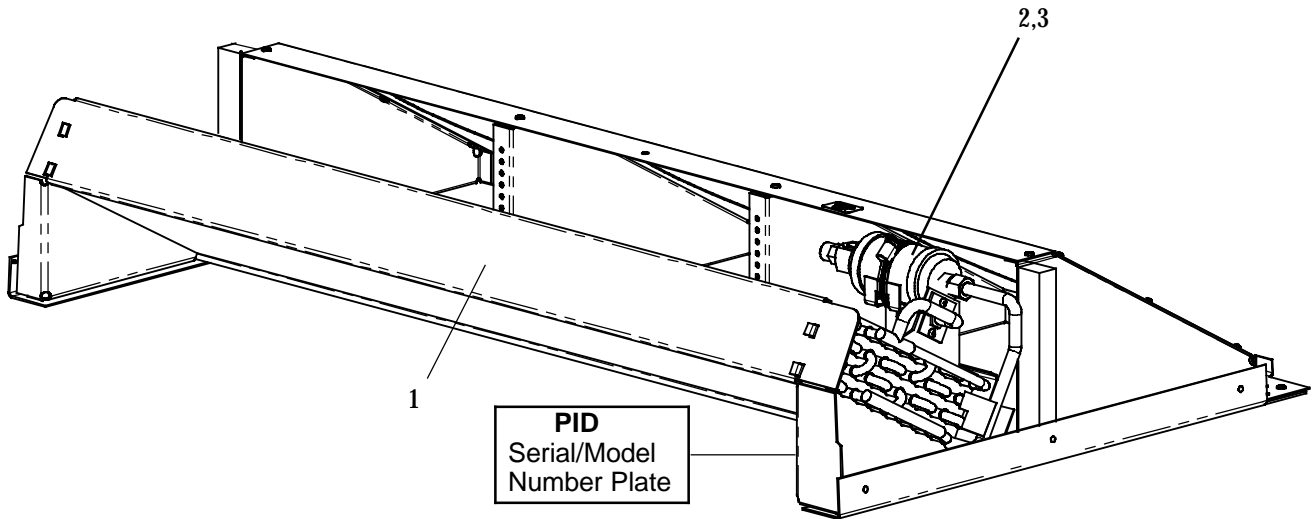
<b>Model 68KR3</b>	<b>PID Condenser KR3</b>	<b>Frame Kit Section 1.11.1</b>	<b>Cover Kit Section 1.11.2</b>	<b>Electrical Kit Section 1.11.3</b>
-101	00074	2	1	1
-101-1	00078	2	1	2
-101-2	00079	2	2	1
-101-3	00080	2	2	2
-101-4	00107	2	3	1
-101-5	00108	2	3	2
-101-6	00099	2	1	1
-101-7	00100	2	1	2
-101-8	00101	2	2	1
-101-9	00102	2	2	2
-101-10	00109	2	3	1
-101-11	00110	2	3	2
-101-12	00111	2	4	1
-101-13	00112	2	4	1
-101-14	00113	2	4	1
-101-15	00114	2	4	1
-101-16	00115	2	1	1
-101-17	00116	2	1	1
-101-18	00117	2	4	1



**SECTION 1.11 CONDENSER, 68KR2 & 68KR3-101 SERIES**

**1.11.1 CONDENSER, 68KR2 & 68KR3-101 SERIES - FRAME KIT : ALL OPTIONS 1 & 2**

KIT #77-62170-02 & 06  
 KIT#77-62170-03, -04, -05

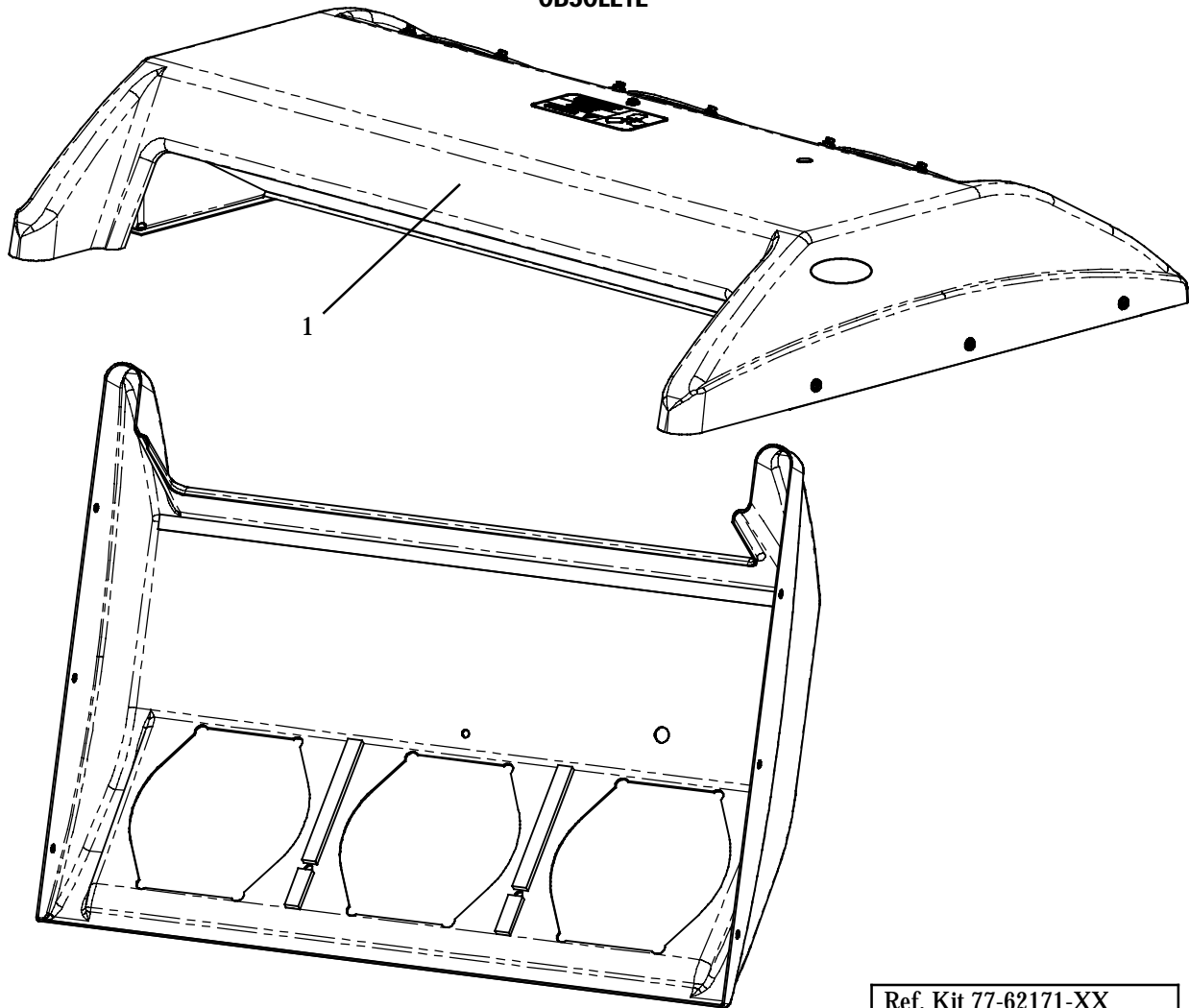


Item	Part Number	Description	Qty
1	08-62057-00	Coil Assembly, Condenser, KR2: <b>Option 1</b>	1
	08-62057-01	Coil Assembly, Condenser, KR3: <b>Option 2</b>	1
2	14-00288-00	Filter Drier, Sight Glass, 1/2 Inch M.O.R. (16 Cubic Inch)	1
3	AC801-202	O-Ring, 1/2 Inch, HNBR	1



1.11.2 CONDENSER, 68KR3-101 SERIES - COVER KIT - OPTIONS 1 thru 4

"OBSOLETE"

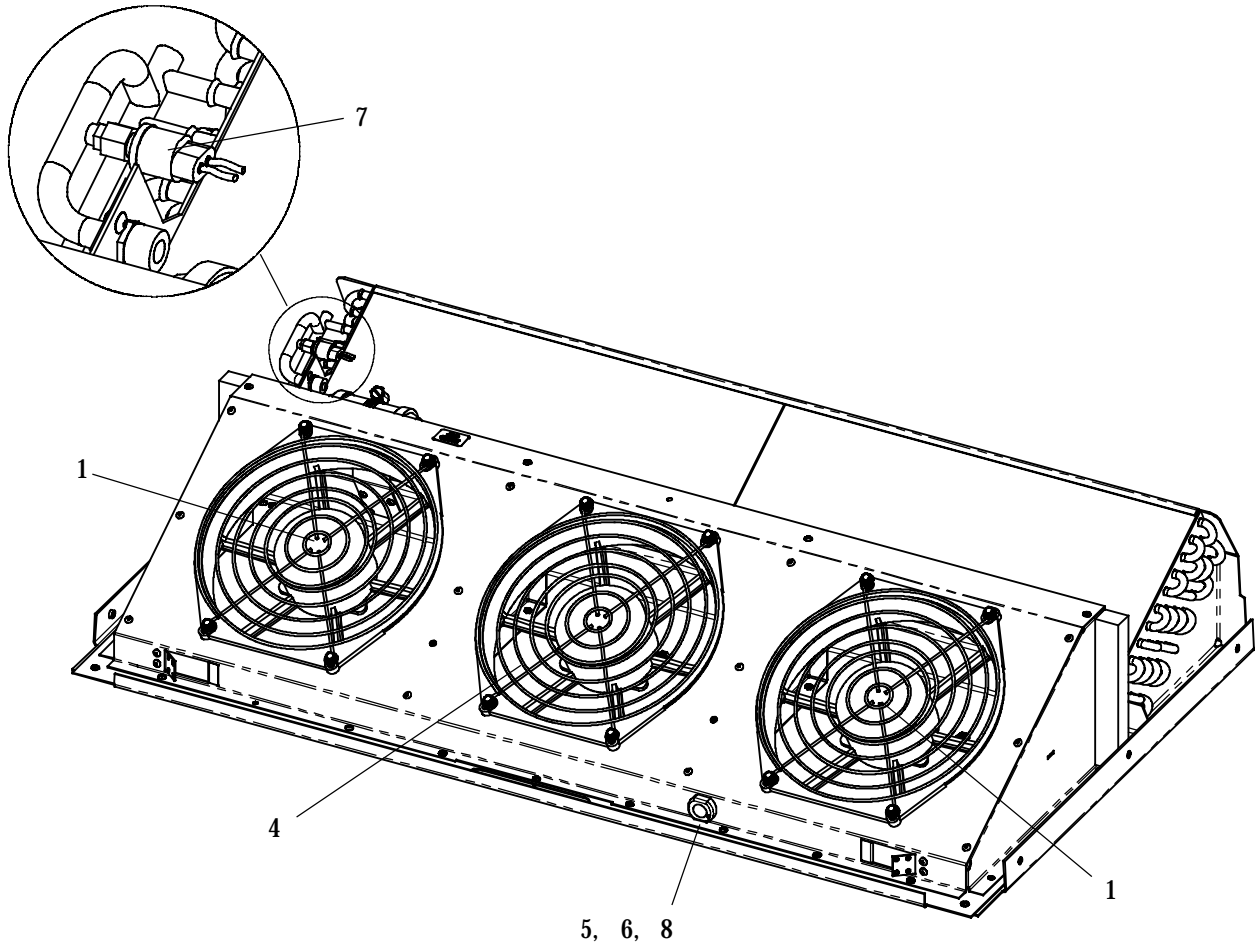


Ref. Kit 77-62171-XX

Item	Part Number	Description	Qty
1	-	Cover, Condenser, KR3, Flat <b>(OPTION 1)</b>	N/A
	-	Cover, Condenser, KR3, 196.85 Radius <b>(OPTION 2)</b>	N/A
	-	Cover, Condenser, KR3, 275.59 Radius <b>(OPTION 3)</b>	N/A
	-	Cover, Condenser, KR3, Standard (Flat) Radius <b>(OPTION 4)</b>	N/A



1.11.3 CONDENSER, 68KR3-101 SERIES - ELECTRICAL KITS - (77-62172-01, -03, -05, -07)

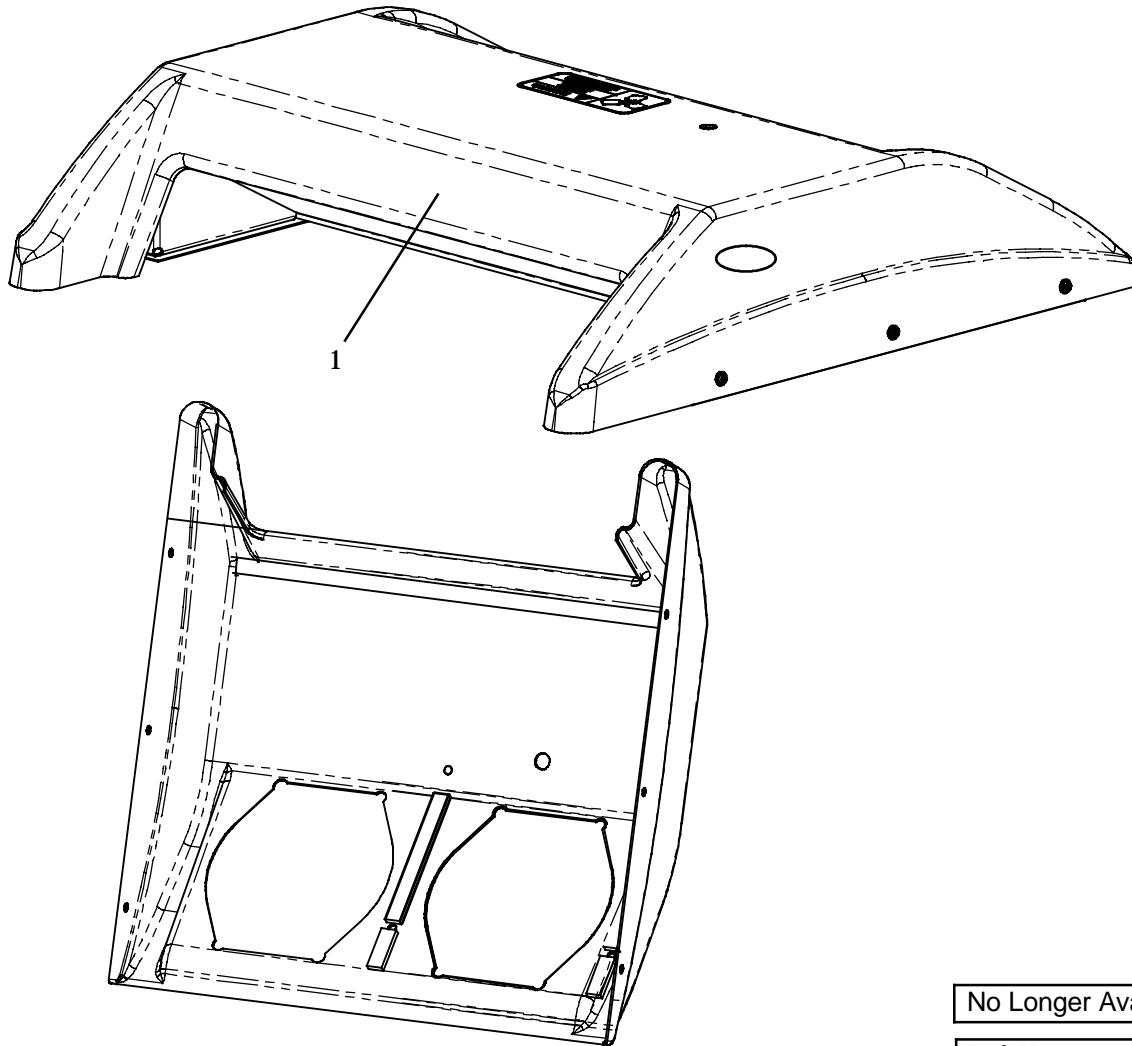


Ref. Kit 77-62172-XX

Item	Part Number	Description	Qty
1	54-00618-01	... Fan & Motor Assembly, 12 VDC ( <b>OPTION 1</b> )	3
	54-00618-02	... Fan & Motor Assembly, 24 VDC ( <b>OPTION 2</b> )	3
2	22-02336-25	... Fuse, 20 Amp (12 VDC application) ( <b>OPTION 1</b> ) (Littlefuse # 297020)	3
3	22-02336-26	... Fuse, 25 Amp (24 VDC application), ( <b>OPTION 2</b> ) (Littlefuse # 297025)	3
4	AC030-234	... Guard, Fan, Condenser	3
5	-	... Harness Assembly, ( <b>ALL</b> )	<b>NSI</b>
6	58-00079-02	... Wire Tie, Self-Locking, 7 Inch, Black (was 66-U--1--3882)	9
7	AC201-414	... Switch, Pressure, 1/4 Inch Female Flare (400-300 PSIG)	1
8	58-62019-00	... Bushing, Harness, Strain Relief	1



1.11.4 CONDENSER, 68KR2-101 SERIES - COVER KIT - 77-62171-00, -02 & -05



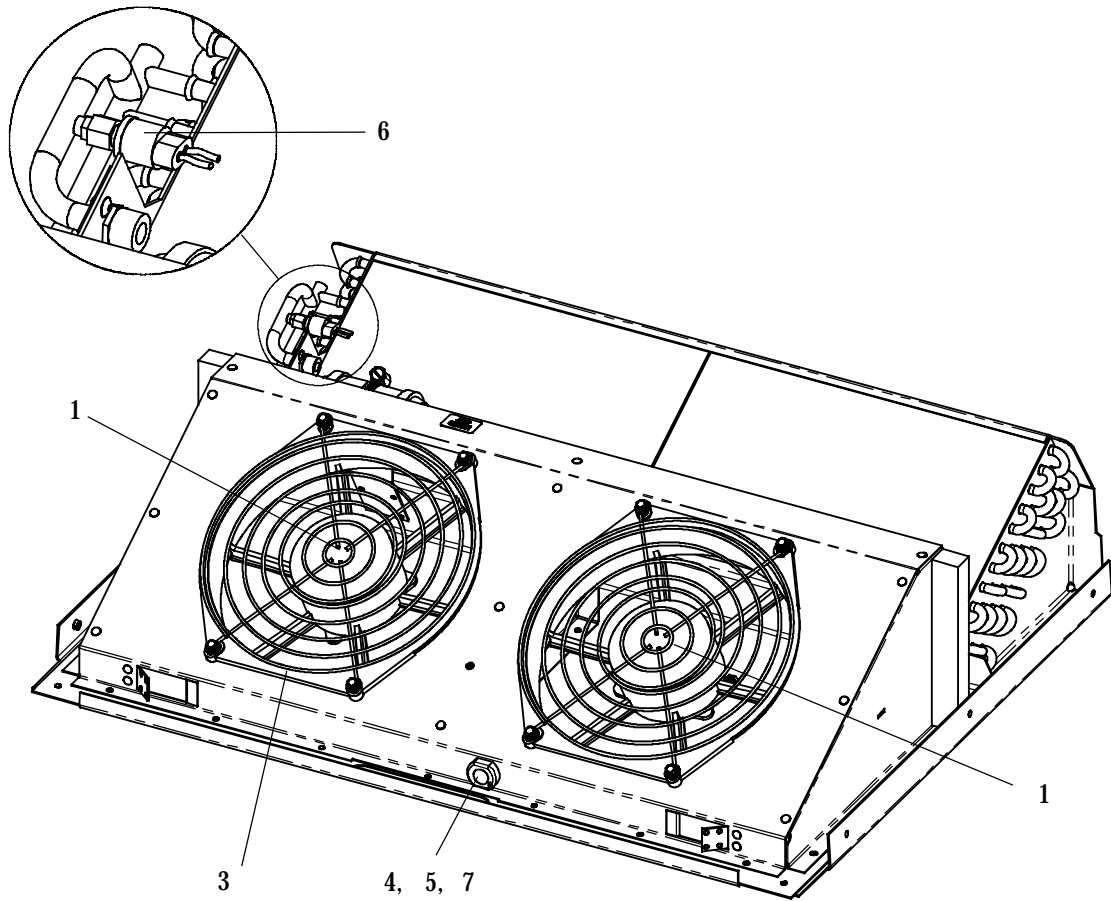
No Longer Available

Ref. Kit 77-62171-XX

Item	Part Number	Description	Qty
1	-	Cover, KR2, Flat ( <b>OPTION 1</b> )	N/A
	-	Cover, KR2, Radius ( <b>OPTION 2</b> )	N/A
	-	Cover, KR2, Standard (Flat) Radius ( <b>OPTION 3</b> )	N/A



1.11.5 CONDENSER, 68KR2-101 SERIES - ELECTRICAL KIT - 77-62172-00, -02, -04 & -06



Ref. Kit 77-62172-XX

Item	Part Number	Description	Qty
1	54-00618-01	Fan & Motor Assembly, Vector, 12V, With Fuse ( <b>OPTION 1</b> )	2
	54-00618-02	Fan & Motor Assembly, 24 VDC, With Fuse, ( <b>OPTION 2</b> )	2
2	22-02336-25	. . . Fuse, 20 Amp (12 VDC application) ( <b>OPTION 1</b> ) (Littlefuse # 297020)	2
	22-02336-26	. . . Fuse, 25 Amp (24 VDC application), ( <b>OPTION 2</b> ) (Littlefuse # 297025)	2
3	AC030-234	Guard, Fan, Condenser	2
4	-	Harness Assembly ( <b>ALL</b> )	<b>NSI</b>
5	58-00079-02	Wire Tie, Self-Locking, 7 Inch, Black (was 66-U---1--3882)	6
6	AC201-414	Switch, Pressure, 1/4 Inch Female Flare, (400-300 PSIG)	1
7	58-62019-00	Bushing, Harness, Strain Relief	1



# INDEX

PART NO.	PAGE NO.	PART NO.	PAGE NO.
<b>0</b>		15-8731	86, 87, 88
08-62005-00	67	17-10812-01	77
08-62035-00	1	<b>2</b>	
08-62035-01	35	21-1954	88
08-62036-00	73, 76	22-00118-02	137
08-62038-00	121, 125, 127, 131	22-02336-24	20
08-62038-01	121, 125, 127, 131	22-02336-25	1, 3, 4, 5, 7, 10, 20, 35, 37, 38, 39, 41, 44, 55, 61, 79, 143
08-62046-00	123, 129	22-02336-26	11, 45, 143
08-62046-01	123, 129	22-02394-01	134
08-62057-00	139	22-50078-40	13
08-62057-01	139	22-62124-00	35
08-62081-00	89	25-0977	88
08-62081-01	89	27-0069	104
<b>1</b>		<b>3</b>	
10-00300-00	67	34-06088-00	123, 129
10-00317-00	77	34-06088-07	8, 16, 20, 21, 42, 51, 55, 56, 61, 65, 66
12-00299-03	101	34-06121-03	123, 127
12-00299-11	67	34-06121-04	123, 127
12-00299-23	55, 56, 65, 80, 93, 127, 131	34-62015-00	119
12-01132-00	67, 69	34-62016-00	121, 123, 125, 127, 129, 131, 136
14-00026-04	121, 123, 127, 129	34-62017-00	133, 134
14-00029-04	76, 121, 125, 127, 131	34-62022-00	119
14-00029-07	67, 69	38-00566-00	133, 134
14-00029-09	123, 129	<b>4</b>	
14-00200-00	71	40-00097-10	71
14-00288-00	1, 35, 89, 139	40-00169-33	71
14-00320-00	121, 123, 127, 129	40-00201-04	76
14-00326-05	101, 103	40-00491-00	67, 104, 123
14-00351-00	71, 101, 103, 105, 121, 123, 127, 129, 131	40-00491-09	67, 71, 101, 103, 105
14-01032-01	71, 102, 103, 105, 121, 123, 125, 127, 129, 131		
14-01042-08	77		





# INDEX

PART NO.	PAGE NO.	PART NO.	PAGE NO.
40-00491-10	105	54-00618-01	1, 3, 4, 5, 7, 10, 26, 35, 37, 38, 39, 41, 44, 61, 73, 79, 141, 143
40-00491-18	77	54-00618-02	1, 6, 11, 26, 45, 68, 73, 76, 141, 143
40-00501-05	71, 103, 121, 123, 127, 129	54-00618-03	20, 55, 93
40-00501-50	71, 103, 121, 123, 127, 129	54-00618-05	12, 20, 55, 65, 80, 93
40-00503-03	121, 123, 127	54-00622-00	107
40-00503-04	121, 123, 127	54-00622-01	107
40-01124-00	101, 105, 127, 131	54-00643-00	89
40-60008-03	101, 103	58-00065-51	133, 134
40-60008-04	102, 104, 106	58-00065-52	108, 109, 110
40-60009-03	101, 103	58-00079-02	133, 141, 143
40-60009-04	102, 104, 106	58-00661-07	112, 113, 114, 115
40-60042-01	102, 106	58-04764-00	8, 16, 20, 21, 42, 51, 55, 56, 61, 65, 66
40-62032-01	76, 77, 121, 125, 127, 131, 137	58-62019-00	3, 4, 5, 6, 7, 10, 11, 12, 16, 20, 37, 38, 39, 40, 41, 44, 45, 46, 51, 55, 61, 65, 73, 76, 141, 143
40-62032-02	71, 76, 137	58-62040-00	119
40-62036-00	1, 35, 73, 76	58-62223-00	89
40-62125-08	102, 104, 106		
40-64075-52	20		
40-64075-53	20		
42-00243-00	67, 104		
42-00243-03	67, 101, 103, 105	<b>6</b>	
42-00243-04	101, 103, 105	65-00193-00	8, 16, 20, 21, 26, 27, 33, 34, 42, 51, 55, 56, 61, 65, 66, 79, 80, 85
42-00243-11	104, 121, 123, 127, 129	65-01035-01	71
42-00243-12	102, 104, 106	65-62003-00	121, 125, 127, 131
42-00243-15	121, 123, 127, 129	65-62003-01	121, 123, 125, 127, 129, 131
44-00045-19	8, 16, 20, 21, 42, 51, 55, 56, 61, 65, 66	68-63648-00	119
44-00045-20	121, 123, 127		
44-00285-81	131	<b>7</b>	
44-00285-82	68, 71	73-67002-00	107
44-00285-83	68	76-62308-00	74
		76-62325-00	91
<b>5</b>		76-62325-01	91
54-00583-00	132, 134	77-00249-50	16
54-00583-01	132, 133, 134	77-00250-50	51



# INDEX

PART NO.	PAGE NO.	PART NO.	PAGE NO.
79-62014-20	1, 17	AC201-905	14
79-62014-23	1, 17, 24	AC301-441	1, 35
79-62014-24	18	AC601-609	71
79-62014-30	32, 35, 52, 53, 59, 64	AC601-615	71
79-62014-32	35	AC601-618	71
79-62014-33	32, 52, 59, 64	AC701-101	121, 123, 125, 127, 131
79-62014-34	32, 53, 59, 64	AC701-269	1, 35, 73
79-62014-50	70	AC801-202	1, 35, 73, 76, 89, 139
79-62015-00	137	AC801-203	137
79-62105-00	137	AC801-220	1, 35
79-62136-00	89	AC801-412F25	35
79-62136-01	89	AC801-414	121, 123, 125, 127, 131

## S

81-62062-00	67, 69
81-62169-00	89
81-62170-00	89

## A

AC030-23	119
AC030-234	1, 6, 35, 40, 67, 73, 76, 141, 143
AC030-313	67
AC030-314	67
AC030-315	67
AC030-340	67
AC033-133P	35
AC033-147	35
AC033-211P	73
AC033-219	1
AC101-200	1, 35
AC101-312	1, 35
AC201-412	1, 35, 73
AC201-414	1, 8, 16, 26, 33, 35, 42, 51, 61, 73, 76, 79, 85, 89, 141, 143

## T

T41-0008-01	100
T41-0018-00	93

## Y

Y15-00005-00	27
Y19-CM2L1-50	33
Y19-CM2L3-50	34
Y19-CM303-50	66
Y24-00185-00	91
Y24-00340-00	99
Y24-00642-00	84
Y24-00653-00	84
Y25-00232-14	20, 21, 27, 34
Y26-00054-00	101, 105
Y26-00054-01	101, 105
Y26-00054-02	103
Y26-00079-00	71
Y26-00084-00	93
Y28-00037-00	98
Y28-00037-01	98
Y28-00037-02	98



# INDEX


PART NO.	PAGE NO.	PART NO.	PAGE NO.
Y30-13000-00	111, 112, 113, 114, 115	Y77-00001-00	94
Y35-00102-00	112, 113, 114, 115	Y77-00001-01	94
Y35-00102-01	111, 114, 115	Y77-00001-02	94
Y74-CM141-50	85	Y77-00001-03	94
Y74-CM201-50	21	YC-81-62062-00	69
Y74-CM301-50	56		

# Every driver deserves the best possible vehicle climate with MCC products

MCC provides exceptional performance in mobile climate comfort.



[www.mcc-hvac.com](http://www.mcc-hvac.com)

Member of MCC Group  Certified ISO 9001 and ISO 1 4001.  
Specifications subject to change without notice. MCC is a registered trademark.