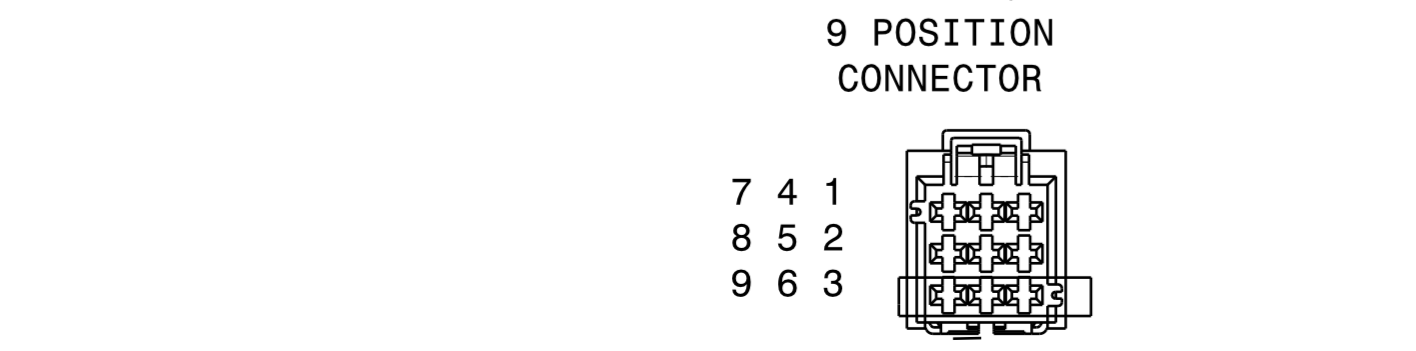
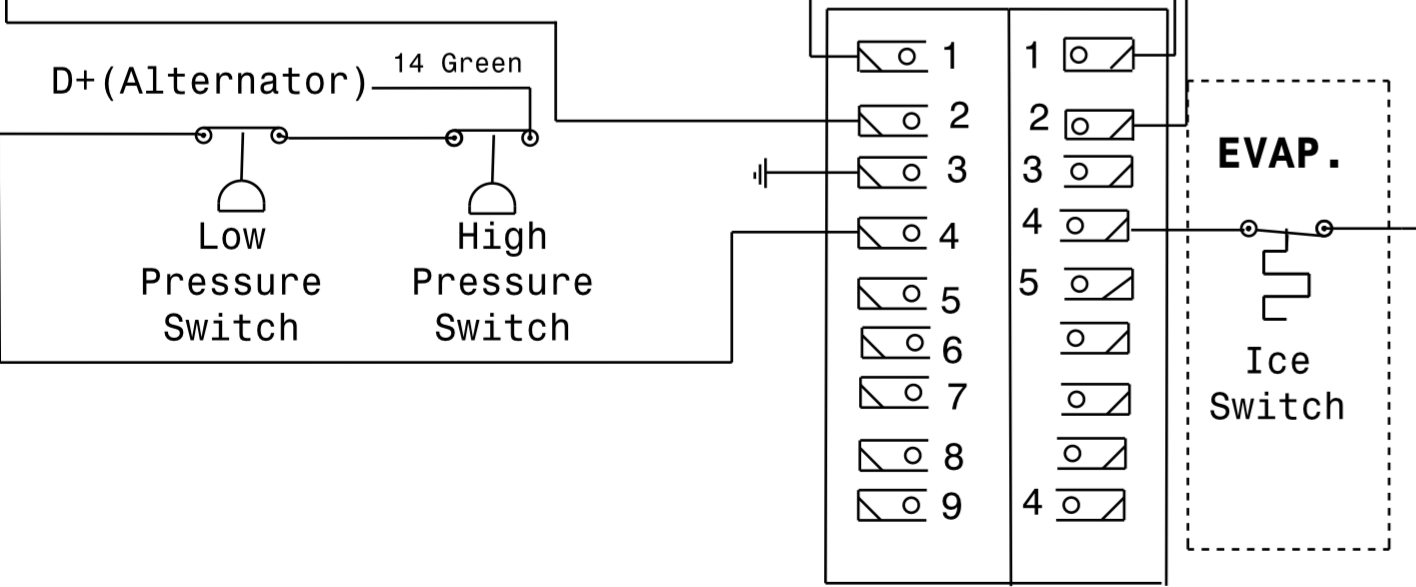
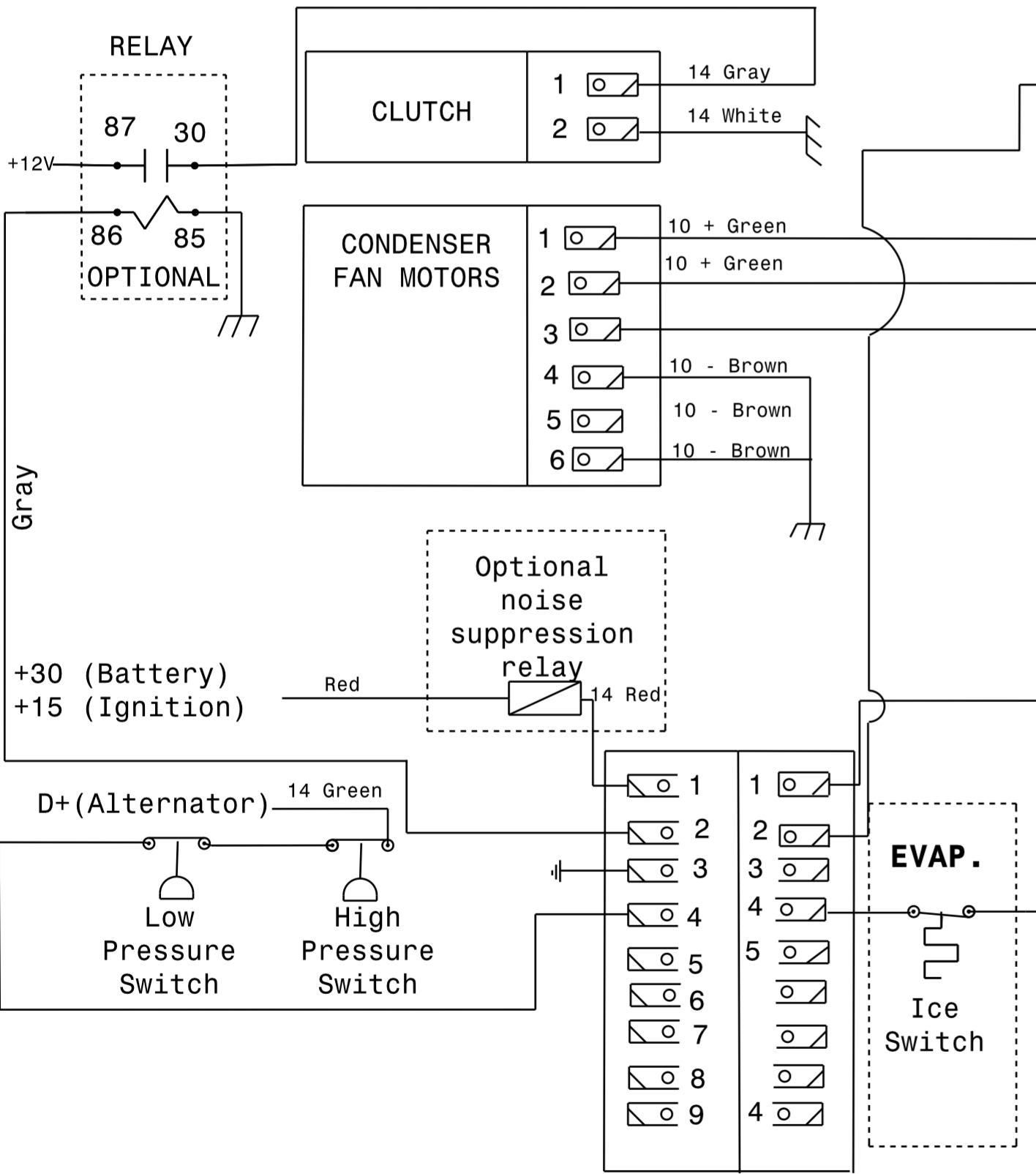
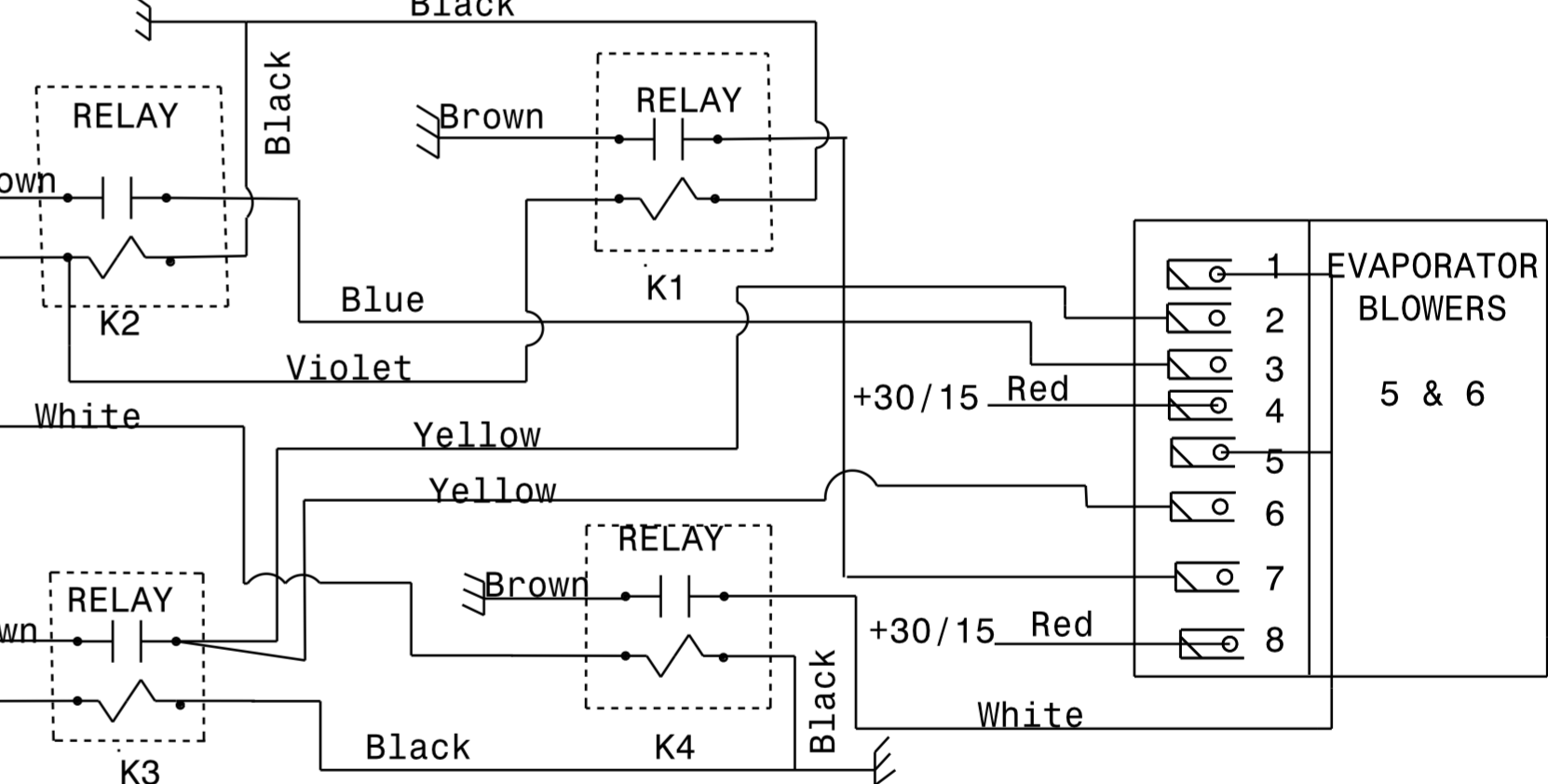
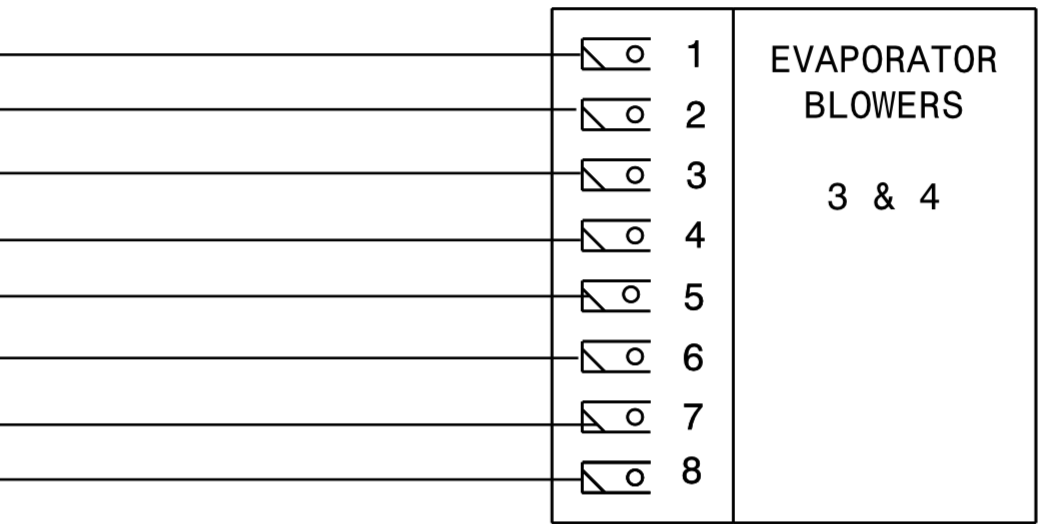
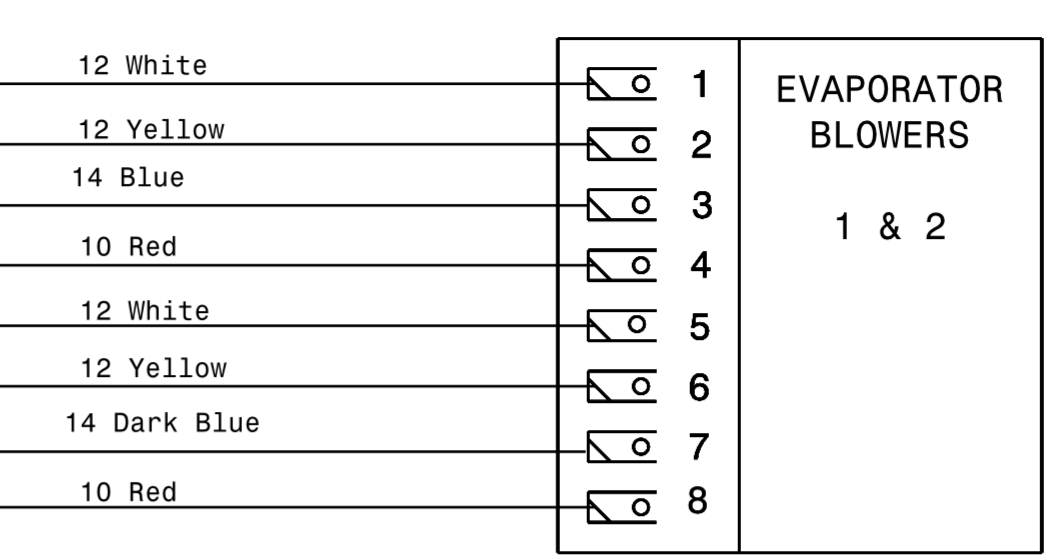
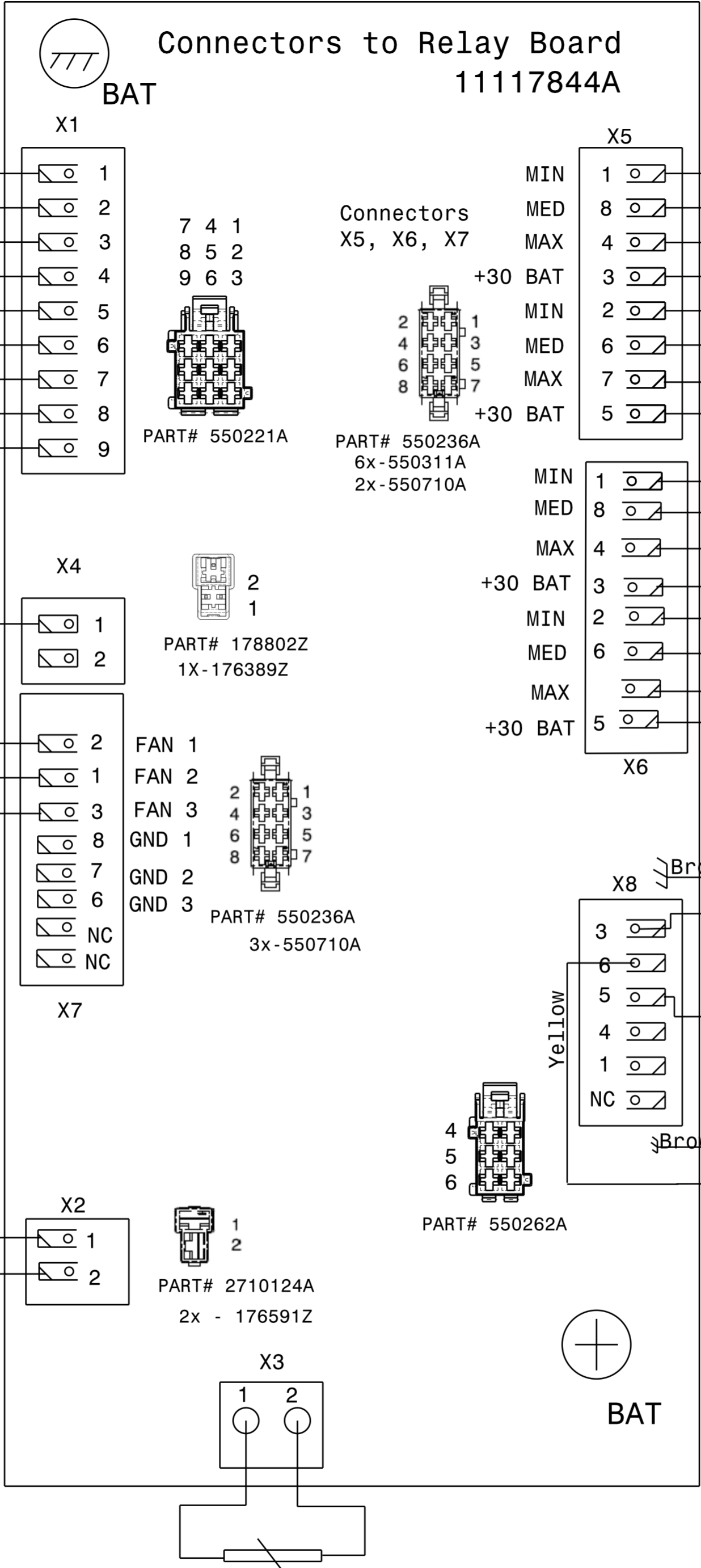
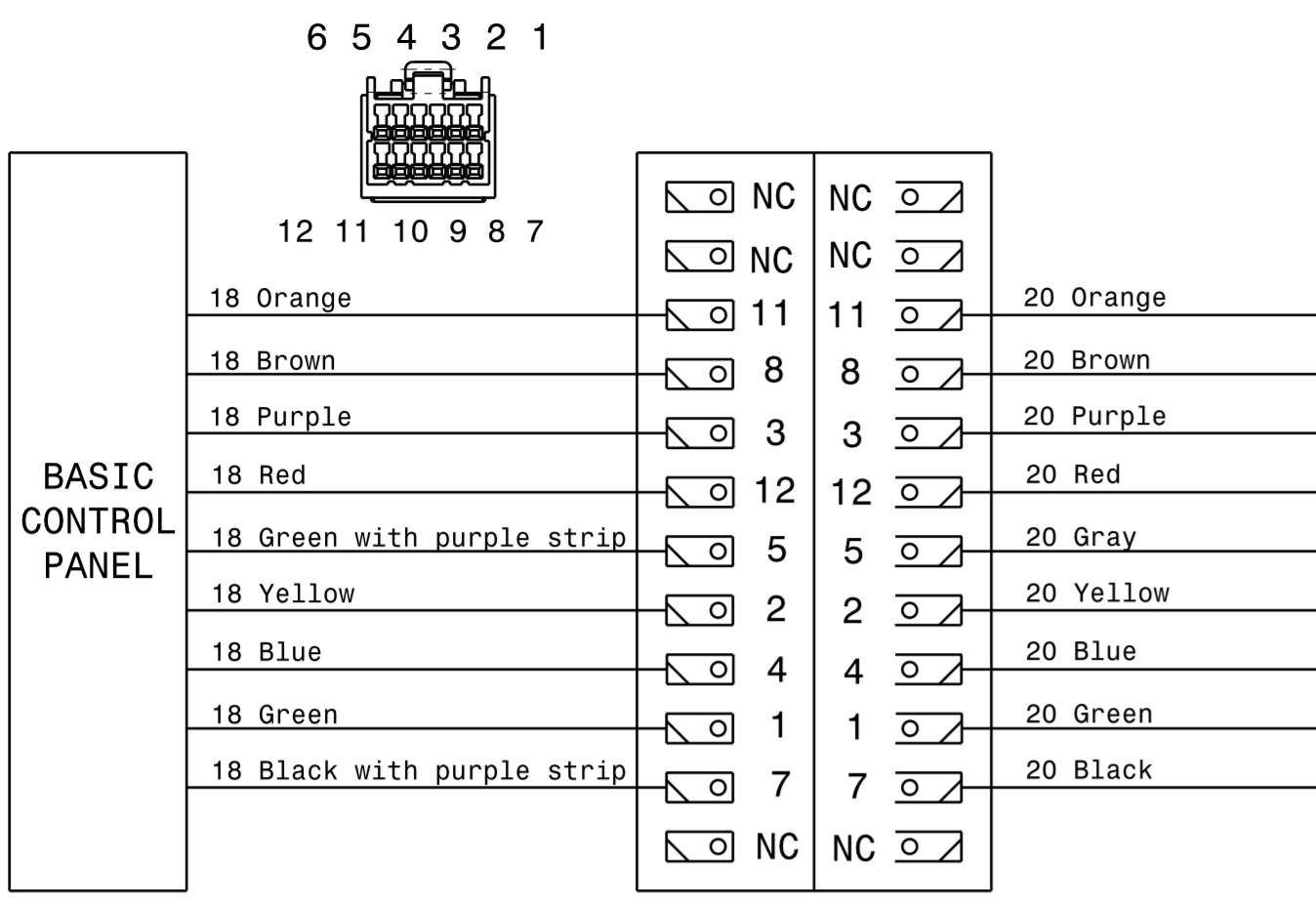


CL1	CL2	QTY	NUMBER	CHANGE	DD. MM. YY	DRAW	CHECK



REF. AMP 8-968971-1

REF. / POS. DIM		INFORMATION DIM		NOT SCALED DIM	
PERMISSIBLE DEVIATION FOR DIM WITHOUT TOLERANCES			VOLTAGE	WEIGHT	CAD SYSTEM
ANSI			12		CATIA V5R19
MATERIAL					
SURFACE PROTECTION					
PART NAME CC335 SL/DL 12V w/Wurth SL Relay Board					
DATE	12/01/14	12/01/14	12/01/14	SCALE	DOC NO.
NAME	JML	JIMW	JIMW	FREE	PART NO.
	DRAW	CHECK	APP		
SPHEROS				STATUS	20000039A
				SIZE	
				ISO A2	
REPLACED BY PART-NO.			REPLACEMENT FOR PART-NO.		
PAGE			1 / 1		