

Bill of Materials Listing

TransArctic Canada Inc.

3/12/2006

Page 1 of 1

Product Number		Description	Bin	Date	Weight	Uof M	Yield
Line	Component Prod#	Description		Unit	Qty		
KMK71980		Mt Kit, C7, MVP-EF, 2 SD-7, P8-OEM		6/4/2004	30.27		0
10	BEL83023	Belt, 8gr, 3023mm (119.0") (5081190)		each	1		
20	BMK70037	Bkt, Main, Weldmt, C7, TH MVP-EF, P8		each	1		
30	BMK70038	Bkt, Brace, RR P/S, C7, TH MVP-EF, P8		each	1		
40	BMK70039	Bkt, Brace, Diag D/S, C7, TH MVP-EF, P8		each	1		
50	BMS70001	Bkt, Cradle, L/H, TM-21, 92mm, 90/ccw,C7		each	2		
60	BMS70002	Bkt, Cradle, R/H, TM-21, 87mm, 90/ccw,C7		each	2		
70	PUL80076	Pulley, Idler, Backside, P8, 76d (89062)		each	1		
80	TUS02091	Tube, Stl, Exh, 2"o.d., 90 deg elb,12x7		each	1		
90	HOR03800	Hose, Heater, 3/8" ID, (250' - 80235GL)		feet	3		
100	KBK72680	Bag Kit, Fasteners, KMK72680/72/1980/72		each	1		

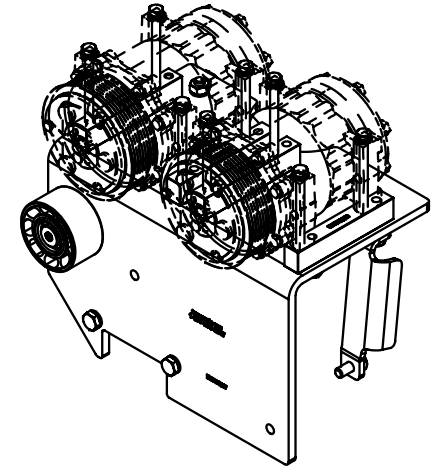
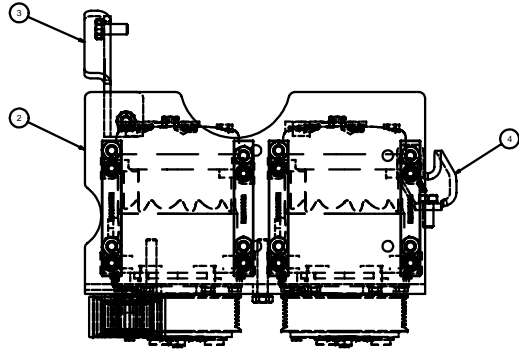
Bill of Materials Listing

TransArctic Canada Inc.

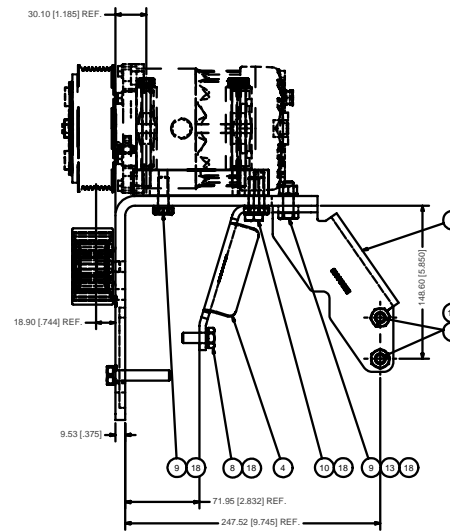
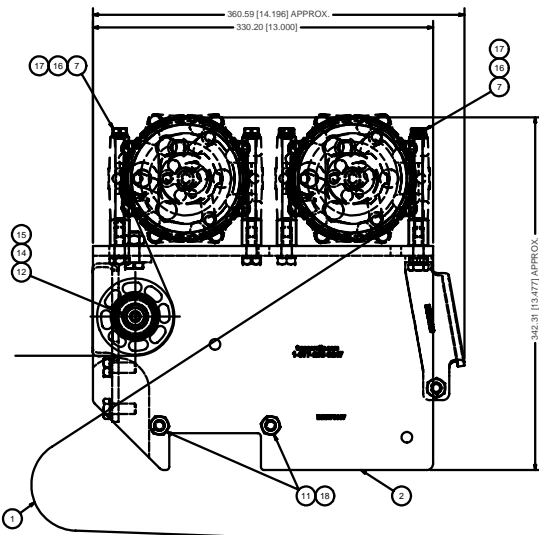
10/3/2005

Page 1 of 1

Product Number		Description	Bin	Date	Weight	Uof M	Yield
Line	Component Prod#	Description		Unit	Qty		
KBK72680		Bag Kit, Fasteners, KMK72680/72/1980/72		9/21/2004	1.95		0
10	BTS10001	Bolt, Shoulder, 10mm (89064)		each	1		
30	BTC10055	Bolt, Hex, 10 x 1.5 x 55mm, 10.9, Plt		each	2		
35	BTC10040	Bolt, Hex, 10 x 1.5 x 40mm, 10.9, Plt		each	1		
40	BTC10035	Bolt, Hex, 10 x 1.5 x 35mm, 10.9, Plt		each	2		
50	BTC10030	Bolt, Hex, 10 x 1.5 x 30mm, 10.9, Plt		each	7		
60	BTC10025	Bolt, Hex, 10 x 1.5 x 25mm, 10.9, Plt		each	3		
70	BTC08100	Bolt, Hex, 8 x 1.25 x 100mm, 10.9, Plt		each	8		
100	NTA10000	Nut, Hex, 10 x 1.5, 8.8, Plt		each	1		
120	WDS17001	Washer, Dust Cover (89060)		each	1		
130	WFA10000	Washer, Flat, 10mm, 8.8, Plt		each	3		
140	WFA08000	Washer, Flat, 8mm, 8.8, Plt		each	8		
160	WLA10000	Washer, Lock, 10mm, 8.8, Plt		each	14		
170	WLA08000	Washer, Lock, 8mm, 8.8, Plt		each	8		
190	CLP36001	Clamp, Gear, #36, 1 13/16-2 3/4 (46/70mm)		each	2		
200	CLP20040	Clamp, "P" type, #40, 1/2"w, 2 1/2", PC		each	1		
210	CLP20028	Clamp, "P" type, #28, 1/2"w, 1 3/4", PC		each	1		
220	CLP20016	Clamp, "P" type, #16, 1/2"w, 1", PC		each	1		



ISOMETRIC VIEW



NOTES:
 1) USE SERVICABLE THREADLOCKER ON ALL FASTENERS TO ENGINE COMPONENTS AND TORQUE ALL BOLTS TO S.A.E. SPECIFICATIONS.
 2) SEE 'TRANSARC TIC A/C COMPRESSOR MOUNT INSTALLATION DISCLAIMER'.

ITEM	QTY	UOM	PART NUMBER	DESCRIPTION
18	14	EACH	WL1A10000	WASHER, LOCK, 10mm, 8.8, PLT
17	8	EACH	WLAD8000	WASHER, LOCK, 8mm, 8.8, PLT
15	8	EACH	WFA28000	WASHER, FLAT, 8mm, 8.8, PLT
15	1	EACH	WDS17001	WASHER, DUST COVER (PUL80076)
14	1	EACH	PUL80076	PULLEY, IDLER, BACKSIDE, P8, 76D, 39W
13	1	EACH	NTA10000	NUT, HEX, 10 x 1.5, 8.8, PLT
12	1	EACH	BTS10001	BOLT, SHOULDER, 10mm (IDLER PULLEY)
11	2	EACH	BTC10055	BOLT, HEX, 10 x 1.5 x 55mm, 10.9, PLT
10	2	EACH	BTC10035	BOLT, HEX, 10 x 1.5 x 35mm, 10.9, PLT
9	7	EACH	BTC10030	BOLT, HEX, 10 x 1.5 x 30mm, 10.9, PLT
8	3	EACH	BTC10025	BOLT, HEX, 10 x 1.5 x 25mm, 10.9, PLT
7	8	EACH	BTC08100	BOLT, HEX, 8 x 1.25 x 100mm, 10.9, PLT
6	2	EACH	BMS70002	BKT, CRADLE, R/H, TM-21, 87mm, 90ccw, C7
5	2	EACH	BMS70001	BKT, CRADLE, L/H, TM-21, 87mm, 90ccw, C7
4	1	EACH	BMK70009	BKT, BRACE, DIAG, O/S, C7, TH MVP-EF, P8
3	1	EACH	BMK70008	BKT, BRACE, RR, P/S, SUPR, C7, TH P555, P8
2	1	EACH	BMK70007	BKT, MAIN, WELDMT, C7, TH MVP-EF, P8
1	1	EACH	BEL83023	BELT, 8pr, 3023mm (119.0"), ISO81190

BILL OF MATERIALS

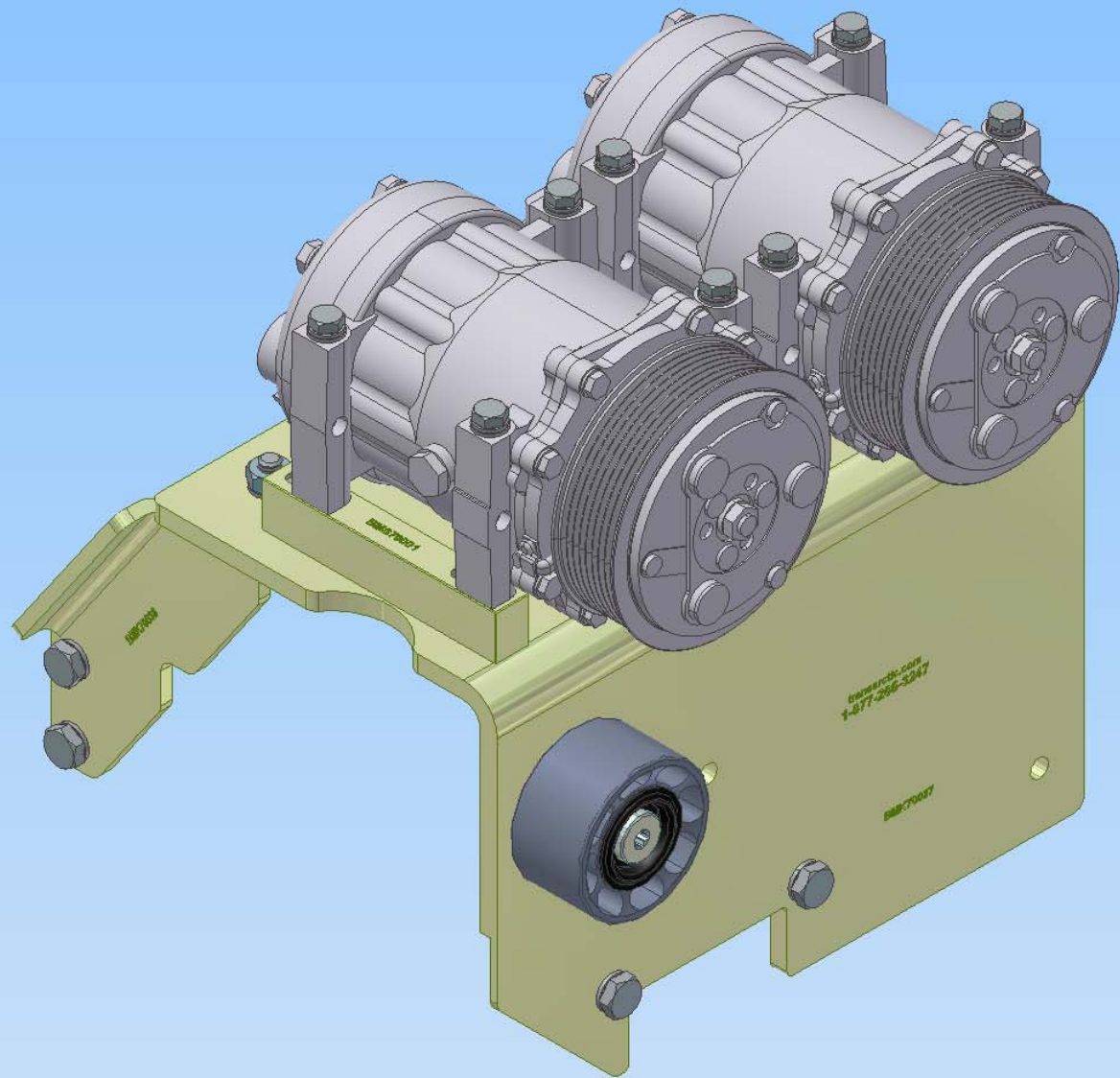
DESIGNED BY	W. Skrylow	DATE	3/26/2005
CHECKED BY	Non Ingram	DATE	3/26/2005
APPROVED BY	James Stewart	DATE	3/26/2005
APPROVED BY	Dale Mason	DATE	3/26/2005
TRANSARC TIC INC.			
MT KIT, C7, MVP-EF, 2 SD7H15, P8			
DATE	3/26/2005	DWG NO	KMK71980
SCALE	1:2	SHEET	1 OF 1

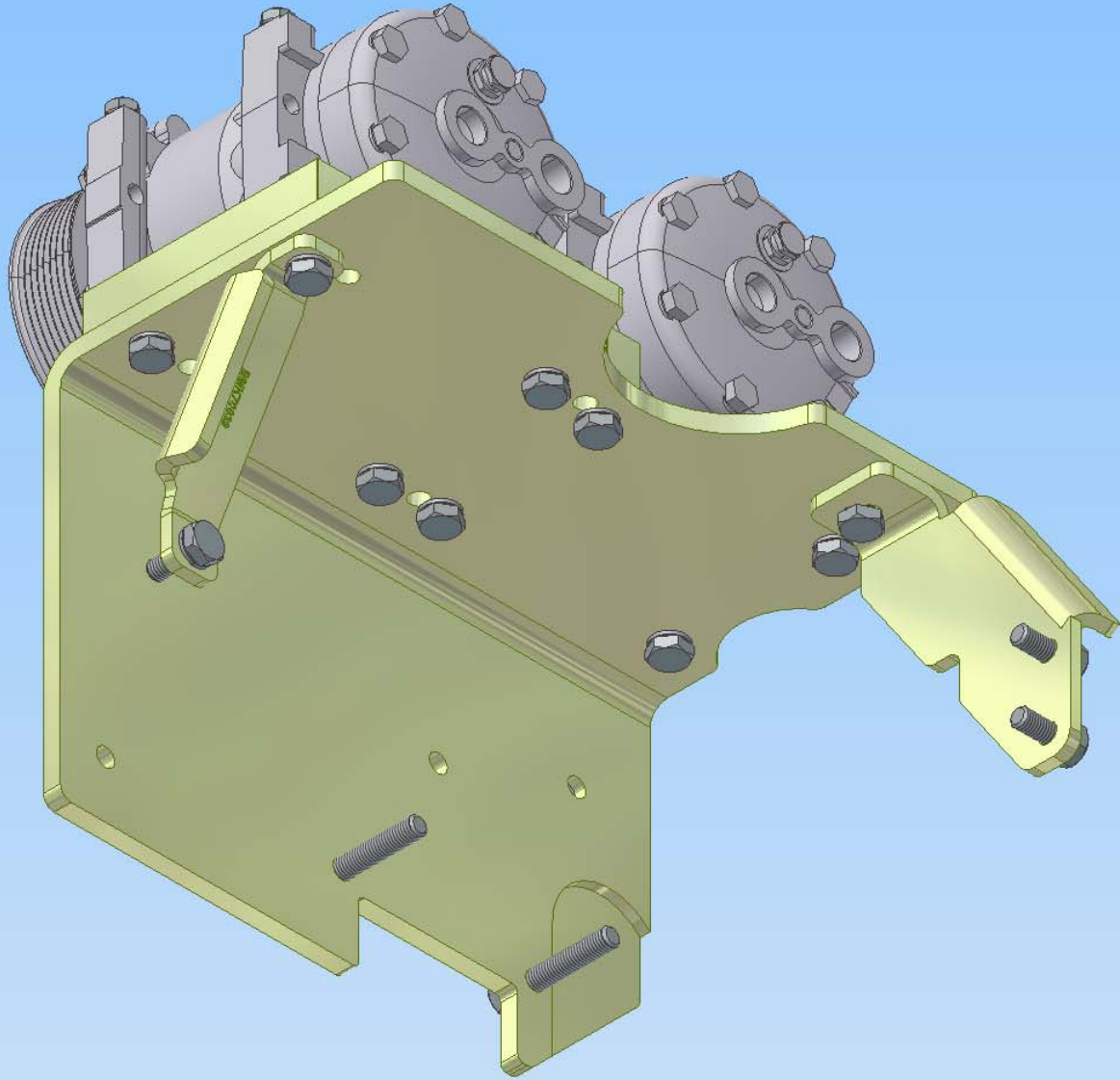
REV	DESCRIPTION	DATE	BY
1	ISSUED FOR MANUFACTURE	3/26/2005	W. Skrylow

THESE DRAWINGS ARE THE PROPERTY OF TRANSARC TIC INC. AND ARE NOT TO BE REPRODUCED OR TRANSMITTED IN ANY FORM OR BY ANY MEANS, ELECTRONIC OR MECHANICAL, INCLUDING PHOTOCOPYING, RECORDING, OR BY ANY INFORMATION STORAGE AND RETRIEVAL SYSTEM, WITHOUT EXPRESS WRITTEN PERMISSION OF THE COMPANY.



THIRD ANGLE PROJECTION
 DRAWING UNIT OF MEASURE: MM (INCH)
 SCALE: 1:2





TransArctic A/C Compressor Mount Installation Disclaimer

All compressor mounts should be installed by qualified and trained personnel using proper tools and equipment in safe working conditions following industry standard guidelines for motor vehicle service and repair.

The installer of any compressor mount purchased from TransArctic must undertake all responsibility of issues arising from that compressor bracket being installed on any vehicle. Mount functionality, operation and durability can all be compromised by an incompetent installation.

Due to the many different situations, parameters and application criteria, which are beyond the compressor mount manufacturer's control, TransArctic does not warrant design, durability, or operational functionality of any compressor mount improperly installed by another party.

With no implied guarantees it is the mount installer's strict responsibility to determine safety and functionality, of the compressor mount, at the time of installation.

Please contact TransArctic with any issue arising from installation so we may better improve the product. If you have any reservations about the compressor mount integrity contact TransArctic immediately at 1-877-COLD-AIR.