

# Bill of Materials Listing

TransArctic Canada Inc.

11/28/2011  
Page 1 of 1

Product Number	Description	Date	Weight	Uof M	Yield
Line    Component    Prod#    Description	Bin	Unit	Qty		
<b>KMC94161</b>	<b>Mt Kit, ISL-G 8.9L, A3RE, 05G, '09</b>	<b>12/22/2008</b>	<b>222.47</b>		<b>0</b>
5 BEL32592	Belt, Banded B, 2591mm (102") (RBX99-2)	each	1		
10 KBB84161	Mt Kit, Base, Transit, A3RE, '07	each	1		
20 KGT84161	Mt Kit, Transit, O5G, '07	each	1		
30 KPC92461	Kit, Pulley, ISL-G, A3RE, '09	each	1		
40 KAC94161	Alt. Kit, 24V, ISC, A3RE, '09	each	1		

# Bill of Materials Listing

TransArctic Canada Inc.

11/9/2011  
Page 1 of 1

Product Number	Description	Date	Weight	Uof M	Yield
Line Component Prod#	Description	Bin Unit	Qty		
<b>KBB84161</b>	<b>Mt Kit, Base, Transit, A3RE, '07</b>	<b>8/31/2007</b>	<b>162.00</b>		<b>0</b>
20 BMC83019	Bkt, Gusset, Bumper, ISC, BBRE, '07	each	1		
30 BMC83020	Bkt, Dampner, ISC, BBRE, '07	each	1		
40 BMC83021	Bkt, Comp, Frt, ISC, BBRE, '07	each	1		
50 BMC83022	Bkt, Comp, Rear, ISC, BBRE, '07	each	1		
60 BMC83023	Bkt, Gusset, Idler, ISC, BBRE, '07	each	1		
70 BMC83024	Bkt, Main, Idler, ISC, BBRE, '07	each	1		
80 BMC83026	Bkt, Sprt, Bump, Rear , ISC, BBRE, '07	each	1		
90 BMC83027	Bkt, Sprt, Bump, Side, ISC, BBRE, '07	each	1		
100 BMC83028	Bkt, Tray, ISC, BBRE, '07	each	1		
110 BMC83029	Bkt, Shift, Tank, Weldmt, ISC, BBRE, '07	each	1		
115 BMC83031	Bkt, Slide, Block, Idler, BBRE	each	1		
120 BMN80008	Vibration Isolator, Bar,16.50 x 2 x 1.50	each	2		
130 BMN80009	Bkt, Main, Base Pl, IC, RE300	each	1		
160 BMN80025	Bkt, Back, PL, Slide, IC, RE300	each	1		
170 PUA05012	Pulley, Assy, Idler,B/BX gr,5", STL,Plt	each	1		
180 PUA06001	Pulley, Assy, Idler, B/S, 6", Stl, Plt	each	1		
220 SCD32812	Spacer, Step, Drl,32.8mm x 50.8o x 12.3i	each	1		
225 SPC19010	Spacer, Col, Drl, 19mm x 28.58o x 10.32i	each	2		
240 SCD48012	Spacer, Col, Drl,48 mm x 34.9o x 12.3i	each	1		
250 SLV17012	Sleeve, Pulley, 16.9o x 22.23mm x 12.32i	each	2		
280 KBT84161	Bag Kit, Fasteners, KBB84161	each	1		

# Bill of Materials Listing

TransArctic Canada Inc.

11/9/2011  
Page 1 of 1

Product Number		Description	Bin	Date	Weight	Uof M	Yield
Line	Component Prod#	Description		Unit	Qty		
<b>KBT84161</b>		<b>Bag Kit, Fasteners, KBB84161</b>		<b>8/29/2007</b>	<b>5.37</b>		<b>0</b>
10	BTC08020	Bolt, Hex, 8 x 1.25 x 20mm, 10.9, Plt		each	2		
20	BTC08035	Bolt, Hex, 8 x 1.25 x 35mm, 10.9, Plt,FT		each	1		
50	BTC12040	Bolt, Hex, 12 x 1.75 x 40mm, 10.9,Plt,FT		each	10		
60	BTC12050	Bolt, Hex, 12 x 1.75 x 50mm, 10.9,Plt		each	1		
70	BTC12060	Bolt, Hex, 12 x 1.75 x 60mm, 10.9,Plt,FT		each	1		
100	BTC12100	Bolt, Hex, 12 x 1.75 x 100mm, 10.9, Plt		each	2		
105	BTP08653	Bolt, Hex, 1/2-13unc, 6.5", 5, Plt, FT		each	1		
115	BTQ06200	Bolt, Hex, 3/8-16unc, 2.0", 8, Plt		each	2		
120	BTQ08126	Bolt, Hex, 1/2-20unf, 1.25", 8, Plt		each	12		
135	BTQ08200	Bolt, Hex, 1/2-13unc, 2.0", 8, Plt		each	3		
160	CSF06075	Capscrew, FH, 3/8-16 x .75", Alloy, Plt		each	2		
170	NTA08000	Nut, Hex, 8 x 1.25, 8.8, Plt		each	3		
190	NTA12000	Nut, Hex, 12 x 1.75, 8.8, Plt		each	13		
200	NTP06000	Nut, Hex, 3/8-16unc, 5, Plt		each	2		
230	WFA08000	Washer, Flat, 8mm, 8.8, Plt		each	4		
250	WFA12000	Washer, Flat, 12mm, 8.8, Plt		each	24		
270	WFQ08000	Washer, Flat, 1/2", 8, Plt		each	15		
280	WLA08000	Washer, Lock, 8mm, 8.8, Plt		each	3		
300	WLA12000	Washer, Lock, 12mm, 8.8, Plt		each	14		
330	WLQ08000	Washer, Lock, 1/2", 8, Plt		each	13		

# Bill of Materials Listing

TransArctic Canada Inc.

11/23/2011  
Page 1 of 1

Product Number	Description	Date	Weight	Uof M	Yield
Line    Component    Prod#    Description	Bin	Unit	Qty		
<b>KGT84161</b>	<b>Mt Kit, Transit, O5G, '07</b>	<b>10/19/2007</b>	<b>10.76</b>		<b>0</b>
10 BMN80010	Bkt, Main, Slide, Assy, O5G, IC, RE300	each	1		
20 BMN80024	Bkt, Comp, FRT, Z, IC, RE300	each	1		
30 SCD29213	Spacer, Col, Drl, 29.21mm x 25.4o x 12.7i	each	2		
40 BTQ06150	Bolt, Hex, 3/8-16unc, 1.50", 8, Plt	each	2		
50 NTP07000	Nut, Hex, 7/16-14unc, 5, Plt	each	4		
60 WFN06000	Washer, Flat, 3/8", 2, Plt	each	2		
70 WLP07000	Washer, Lock, 7/16", 5, Plt	each	4		
80 WLP06000	Washer, Lock, 3/8", 5, Plt	each	2		

# Bill of Materials Listing

TransArctic Canada Inc.

11/23/2011

Page 1 of 1

Product Number		Description	Bin	Date	Weight	Uof M	Yield
Line	Component	Prod#	Description	Unit	Qty		
<b>KPC92461</b>			<b>Kit, Pulley, ISL-G, A3RE, '09</b>		<b>10/19/2007</b>	<b>13.74</b>	<b>0</b>
10	PUL89009		Pulley, Crank, ISL, 8.9L, 2B/X, 8", '09	each	1		
20	BTC12060		Bolt, Hex, 12 x 1.75 x 60mm, 10.9,Plt,FT	each	4		
30	WFS12002		Washer, Flat, Hdn, 12mm, Stl, BLK	each	4		

# Bill of Materials Listing

TransArctic Canada Inc.

11/9/2011  
Page 1 of 1

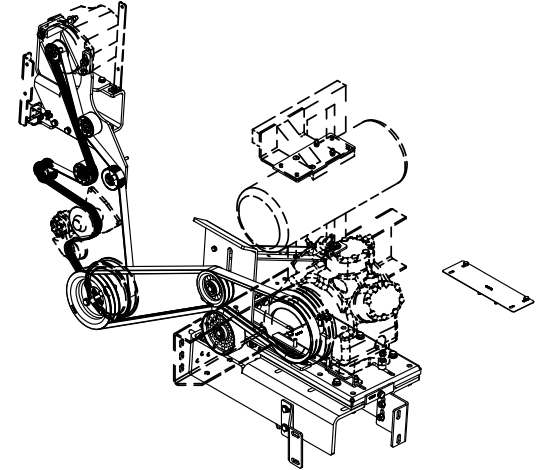
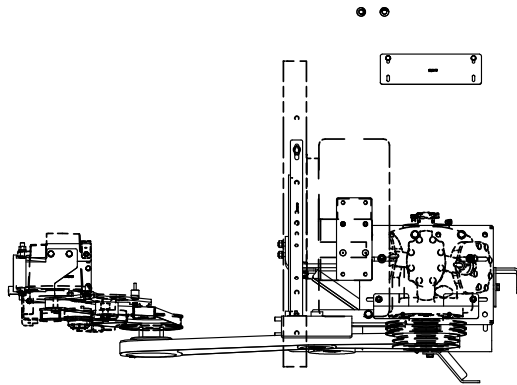
Product Number	Description	Date	Weight	Uof M	Yield
Line    Component    Prod#    Description	Bin	Unit	Qty		
<b>KAC94161</b>	<b>Alt. Kit, 24V, ISC, A3RE, '09</b>	<b>2/25/2009</b>	<b>34.67</b>		<b>0</b>
10 BEL82705	Belt, 8gr, 2705mm (106.5") (5081065)	each	1		
20 BMC83040	Bkt, Pl, Alt, Weldm't, ISC, A3RE, '09	each	1		
30 BMC83042	Bkt, Main, Alt, Weldm't, ISC, A3RE, '09	each	1		
40 PUL80064	Pulley,ALT,Frontside,P8,63.5d (3972808)	each	1		
50 PUL80076	Pulley, Idler, Backside, P8, 76d (89062)	each	2		
70 KBA94161	Bag Kit, Fasteners, KAC94161	each	1		

# Bill of Materials Listing

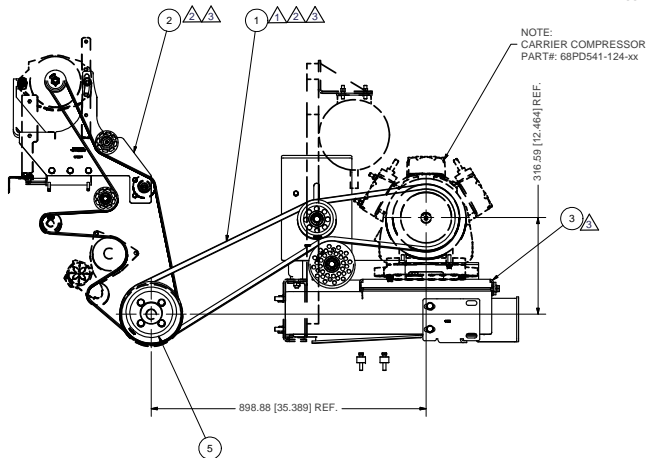
TransArctic Canada Inc.

11/9/2011  
Page 1 of 1

Product Number		Description	Bin	Date	Weight	Uof M	Yield
Line	Component Prod#	Description		Unit	Qty		
<b>KBA94161</b>		<b>Bag Kit, Fasteners, KAC94161</b>		<b>3/2/2009</b>	<b>1.81</b>		<b>0</b>
5	BTC08030	Bolt, Hex, 8 x 1.25 x 30mm, 10.9, Plt,FT		each	1		
10	BTC08035	Bolt, Hex, 8 x 1.25 x 35mm, 10.9, Plt,FT		each	6		
20	BTC08065	Bolt, Hex, 8 x 1.25 x 65mm, 10.9, Plt		each	2		
30	BTC10040	Bolt, Hex, 10 x 1.5 x 40mm, 10.9, Plt,FT		each	5		
40	BTQ08150	Bolt, Hex, 1/2-13unc, 1.5", 8, Plt		each	1		
50	BTQ08653	Bolt, Hex, 1/2-13unc, 6.5", 8, Plt		each	1		
60	BTS10001	Bolt, Shoulder, 10mm (89064)		each	2		
65	NTA08000	Nut, Hex, 8 x 1.25, 8.8, Plt		each	1		
70	NTA10000	Nut, Hex, 10 x 1.5, 8.8, Plt		each	5		
80	NTQ08000	Nut, Hex, 1/2-13unc, 8, Plt		each	1		
90	WFA08000	Washer, Flat, 8mm, 8.8, Plt		each	8		
100	WFA10000	Washer, Flat, 10mm, 8.8, Plt		each	10		
110	WFQ08000	Washer, Flat, 1/2", 8, Plt		each	3		
120	WLA08000	Washer, Lock, 8mm, 8.8, Plt		each	9		
130	WLA10000	Washer, Lock, 10mm, 8.8, Plt		each	5		
140	WLQ08000	Washer, Lock, 1/2", 8, Plt		each	2		

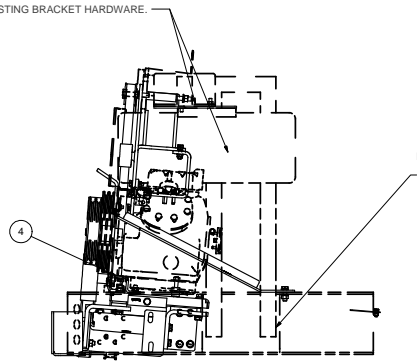


ISOMETRIC VIEW



NOTE:  
CARRIER COMPRESSOR  
PART#: 68PD541-124-xx

REUSE EXISTING BRACKET HARDWARE.



REUSE & MODIFY EXISTING EXHAUST SHIELD  
BRACKET & HARDWARE.  
(FROM REAR OEM POSITION TO  
LOWERED OTHER SIDE OF TUBE.)

REUSE EXISTING MUFFLER BRACKET & HARDWARE.

NOTES:

- 1) USE SERVICABLE THREADLOCKER ON ALL FASTENERS TO ENGINE COMPONENTS AND TORQUE **ALL** BOLTS TO S.A.E. SPECIFICATIONS.
- 2) SEE "TRANSARCTIC A/C COMPRESSOR MOUNT INSTALLATION DISCLAIMER".

ITEM	QTY	U/M	PART NUMBER	DESCRIPTION
5	1	EACH	KPC92461	KIT, PULLEY, ISL-G, A3RE, '09
4	1	EACH	KG184161	MT KIT, TRANSIT, O5G, 07
3	1	EACH	KB884161	MT KIT, BASE, TRANSIT, A3RE, '07
2	1	EACH	KAC94161	Air, Kit, 24V, ISC, A3RE, 09
1	1	EACH	BEL32592	BELT, BANDED B, 2591mm (102") (RBX99-2)

**TRANSARCTIC INC.**

REV	DESCRIPTION	DATE	BY
3	REVISED KAC94161 & KB884161	11/29/2011	JRR
2	NEW RELEASE REVISED KAC94161	2/16/2011	JRR
1	ADDED PIN BEL32592	01/4/2009	JRR
0	RELEASED TO PRODUCTION	4/29/2009	JRR

THIS DRAWING CONTAINS PROPRIETARY CONFIDENTIAL INFORMATION OWNED BY TRANSARCTIC CANADA INC. THE DOCUMENT AND THE INFORMATION IN IT ARE NOT TO BE USED, DISCLOSED OR REPRODUCED WITHOUT EXPRESS WRITTEN PERMISSION OF THE COMPANY.

UNSPECIFIED TOLERANCES:	MM (INCH)
ONE DECIMAL PLACE (X.1)	0.1 (0.004)
TWO DECIMAL PLACE (X.00)	0.05 (0.002)
THREE DECIMAL PLACE (X.000)	0.025 (0.001)
FRACTIONAL (1/16")	0.0625 (0.0025)

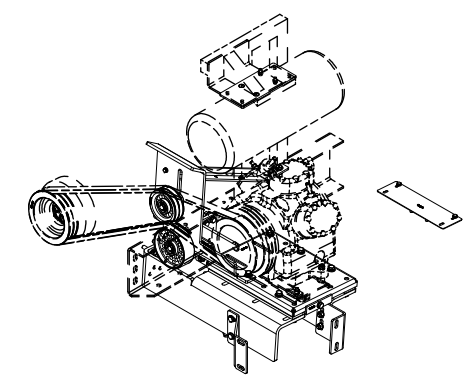


DRAWING UNIT OF MEASURE: MM (INCH)

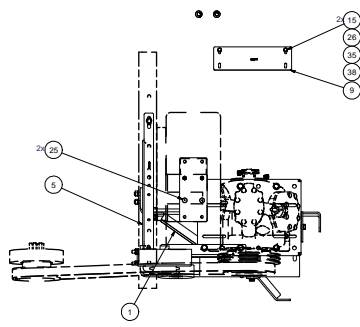
TITLE	MT. KIT, ISL-G 8.9L, A3RE, O5G, '09
SIZE	D
DWG NO	KMC94161
SCALE	1:1
SHEET	1 OF 1

REV 3





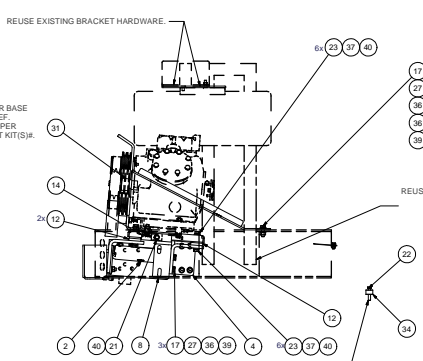
ISOMETRIC VIEW



NOTE:  
REFER TO CARRIER COMPRESSOR  
INSTALL KIT OPTIONS  
(OSC COMPRESSOR SHOWN)

NOTE:  
COMPRESSOR BASE  
SHOWN AS REF.  
REFER TO UPPER  
LEVEL MOUNT KIT(S).

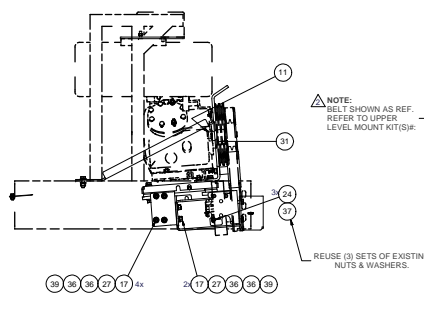
NOTE:  
PULLEY SHOWN AS REF.  
REFER TO UPPER LEVEL MOUNT KIT(S).



REUSE EXISTING BRACKET HARDWARE.

REUSE & MODIFY EXISTING EXHAUST SHIELD  
BRACKET & HARDWARE.  
(FROM REAR OEM POSITION TO  
LOWERED OTHER SIDE OF TUBE.)

REUSE EXISTING MUFFLER BRACKET & HARDWARE.



NOTE:  
BOLT SHOWN AS REF.  
REFER TO UPPER  
LEVEL MOUNT KIT(S).

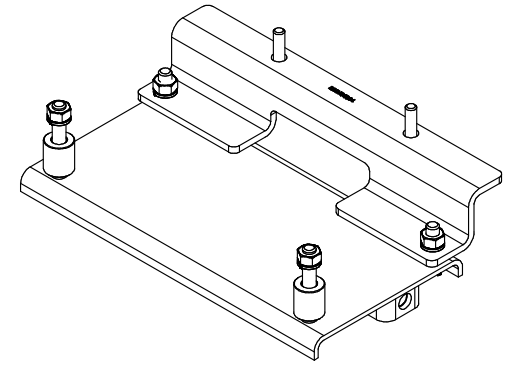
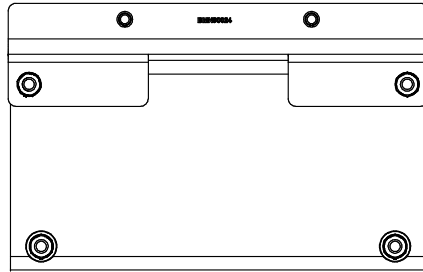
NOTE:  
CRANK PULLEY SHOWN AS REF.  
REFER TO UPPER LEVEL MOUNT KIT(S).

NOTES:  
1) USE SERVICABLE THREADLOCKER ON ALL FASTENERS TO ENGINE COMPONENTS AND TORQUE ALL BOLTS TO S.A.E. SPECIFICATIONS.  
2) SEE TRANSARCTIC A/C COMPRESSOR MOUNT INSTALLATION DISCLAIMER.  
3) WEIGHT: 155.00 LB

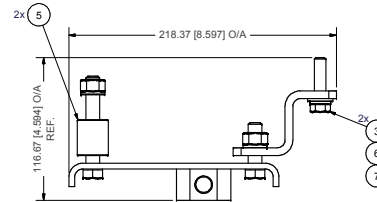
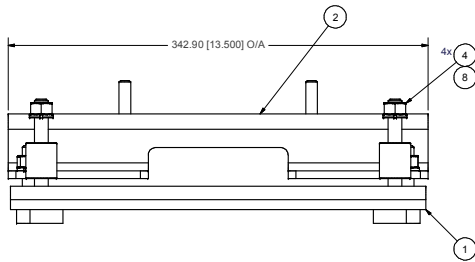
ITEM	QTY	UOM	PART NUMBER	DESCRIPTION
40	13	EACH	WLO08000	WASHER, LOCK, 1/2", 8, PLT
39	14	EACH	WLA12000	WASHER, LOCK, 12mm, 8, 8, PLT
28	3	EACH	WLO08000	WASHER, LOCK, 8mm, 8, 8, PLT
37	15	EACH	WFO08000	WASHER, FLAT, 1/2", 8, PLT
36	20	EACH	WFA12000	WASHER, FLAT, 12mm, 8, 8, PLT
35	4	EACH	WFO08000	WASHER, FLAT, 8mm, 8, 8, PLT
34	2	EACH	SFC19010	SPACER, COL, DRL, 19.05mm x 25.4 x 10.57
33	2	EACH	SLV17012	SLEEVE, PULLEY, 16.90 x 22.23 mm x 12.19
32	1	EACH	SCD46012	SPACER, COL, DRL, 46mm x 31.80 x 12.0
31	1	EACH	SCD12812	SPACER, COL, DRL, 32.8mm x 50.80 x 12.3
30	1	EACH	PLA06001	PULLEY, ASSY, IDLER, B/S, 6", STL, PLT
29	1	EACH	PLA05012	PULLEY, ASSY, IDLER, B/B, 6", 5" STL, PLT
28	2	EACH	WTP06000	NUT, HEX, 3/8-14UNC, 5, PLT
27	13	EACH	NTA12000	NUT, HEX, 12 x 1.75, 8.8, PLT
26	3	EACH	NTA08000	NUT, HEX, 8 x 1.25, 8.8, PLT
25	2	EACH	CSF06015	CARSPW, FH, 3/8 x 1.75, 9, PLT
24	3	EACH	BT08000	BOLT, HEX, 1/2-13UNC x 2.00, 8, PLT
23	12	EACH	BT08126	BOLT, HEX, 1/2-20UNC x 1.25, 8, PLT
22	2	EACH	BT06000	BOLT, HEX, 3/8-14UNC, 2.00, 8, PLT
21	1	EACH	BT08053	BOLT, HEX, 1/2-13UNC x 6.50, 5, PLT, FT
20	2	EACH	BT01200	BOLT, HEX, 12 x 1.75 x 100mm, 10.9, PLT
19	1	EACH	BT01260	BOLT, HEX, 12 x 1.75 x 60mm, 10.9, PLT
18	1	EACH	BT01050	BOLT, HEX, 12 x 1.75 x 50mm, 10.9, PLT
17	10	EACH	BT01240	BOLT, HEX, 12 x 1.75 x 40mm, 10.9, PLT
16	1	EACH	BT08015	BOLT, HEX, 8 x 1.25 x 35mm, 10.9, PLT
15	2	EACH	BT08020	BOLT, HEX, 8 x 1.25 x 20mm, 10.9, PLT
14	1	EACH	BMN80025	BKT, BACK, PL, SLIDE, IC, RE300
13	1	EACH	BMN80009	BKT, MAIN, BLOC, PL, IC, RE300
12	2	EACH	BMN80008	VIBRATION ISOLATOR, BAR, 16.50 x 2 x 1.50
11	1	EACH	BMC83031	BKT, SLIDE, BLOCK, IDLER, BBRE, 07
10	1	EACH	BMC83029	BKT, SHFT, TANK, WELDMT, ISC, BBRE, 07
9	1	EACH	BMC83028	BKT, TRAY, ISC, BBRE, 07
8	1	EACH	BMC83027	BKT, SPRT, BUMP, SIDE, ISC, BBRE, 07
7	1	EACH	BMC83026	BKT, SPRT, BUMP, REAR, ISC, BBRE, 07
6	1	EACH	BMC83024	BKT, MAIN, IDLER, ISC, BBRE, 07
5	1	EACH	BMC83023	BKT, GUSSET, IDLER, ISC, BBRE, 07
4	1	EACH	BMC83022	BKT, COMP, REAR, ISC, BBRE, 07
3	1	EACH	BMC83021	BKT, COMP, FR, ISC, BBRE, 07
2	1	EACH	BMC83020	BKT, DAMPNER, ISC, BBRE, 07
1	1	EACH	BMC83019	BKT, GUSSET, BUMPER, ISC, BBRE, 07

DRAWN: Rose Rodriguez 10/20/2008  
 CHECKED: J. J. Jakobowitz 10/20/2008  
 TITLE: MT KIT, BASE, TRANSIT, A3RE, 07  
 DATE: 10/20/2008  
 APPROVED: Date Mason 10/20/2008  
 DATE: 10/20/2008

**TRANSARCTIC INC.**  
 MT KIT, BASE, TRANSIT, A3RE, 07  
 KBB84161  
 SHEET 1 OF 1



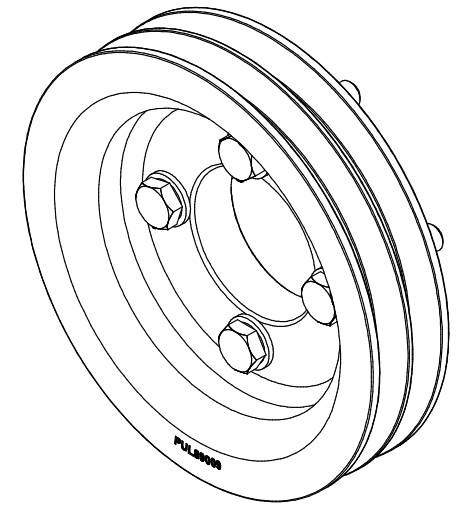
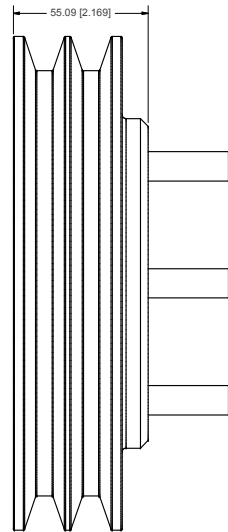
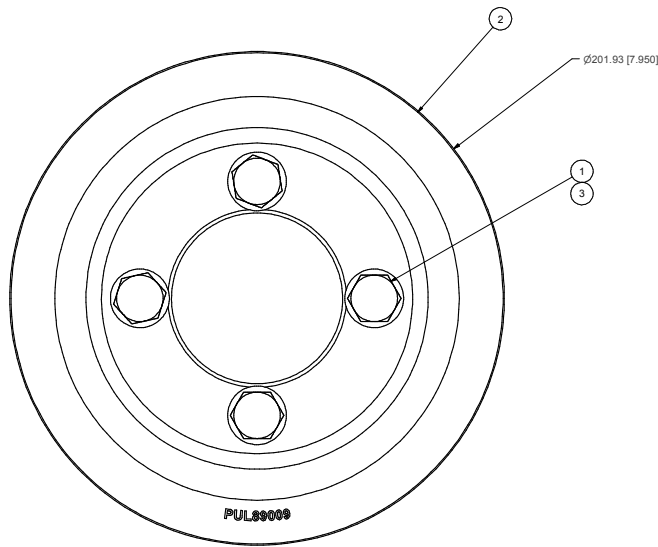
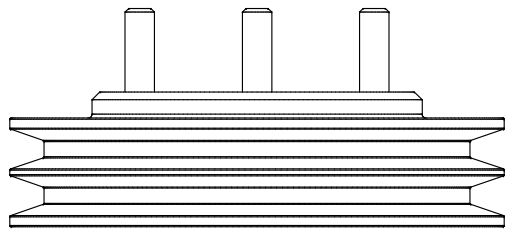
ISOMETRIC VIEW



- NOTES:
- 1) USE SERVICABLE THREADLOCKER ON ALL FASTENERS TO ENGINE COMPONENTS AND TORQUE ALL BOLTS TO S.A.E. SPECIFICATIONS.
  - 2) SEE "TRANSARCTIC A/C COMPRESSOR MOUNT INSTALLATION DISCLAIMER".
  - 3) WEIGHT: 10.67 LB

ITEM	QTY	U/M	PART NUMBER	DESCRIPTION
8	4	EACH	WLP07000	WASHER, LOCK, 7/16", 5, PLT
7	2	EACH	WLP06000	WASHER, LOCK, 3/8", 5, PLT
6	2	EACH	WFN06000	WASHER, FLAT, 3/8", 2, PLT
5	2	EACH	SCD29213	SPACER, COL, DRL, 29.21mm x 25.4o x 12.7l
4	4	EACH	NTP07000	NUT, HEX, 7/16-14UNC, 5, PLT
3	2	EACH	BTQ06150	BOLT, HEX, 3/8-18UNC, 1.50", 8, PLT
2	1	EACH	BMN80024	BKT, COMP, FRT, Z, IC, RE300
1	1	EACH	BMN80010	BKT, MAIN, SLIDE, ASSY, IC, RE300

DRAWN Jose Rodriguez		10/21/2008	<b>TRANSARCTIC INC.</b>	
CHECKED Val Jakowlew		10/21/2008		
RELEASED TO PRODUCTION 10/20/2008		BRK CA	TITLE	
REV	ECN	DESCRIPTION	DATE	BY
		MTG	10/21/2008	James Stewart
		THIS DRAWING CONTAINS PROPRIETARY CONFIDENTIAL INFORMATION OWNED BY TRANSARCTIC CANADA INC. THE DOCUMENT AND THE INFORMATION IN IT ARE NOT TO BE USED, DISCLOSED OR REPRODUCED WITHOUT EXPRESS WRITTEN PERMISSION OF THE COMPANY.	10/21/2008	Ron Ingram
		APPROVED	10/21/2008	Dale Mason
UNSPECIFIED TOLERANCES:		(ALL DIM)	SIZE	DWG NO
ONE DECIMAL PLACE (10)	FRAC	30	D	KGT84161
TWO DECIMAL PLACE (20)	FRAC	50		REV
THIRD DECIMAL PLACE (30)	FRAC	100		0
FRACTIONAL (1/32)	FRAC	1000		
		THIRD ANGLE PROJECTION	DRAWING UNIT OF MEASURE	MM (INCH)
			SCALE	1 : 2
				SHEET 1 OF 1



ISOMETRIC VIEW

NOTES:

- 1) USE SERVICABLE THREADLOCKER ON ALL FASTENERS TO ENGINE COMPONENTS AND TORQUE ALL BOLTS TO S.A.E. SPECIFICATIONS.
- 2) SEE "TRANSARGTIC A/C COMPRESSOR MOUNT INSTALLATION DISCLAIMER".
- 3) WEIGHT: 13.80 LB

ITEM	QTY	U/M	PART NUMBER	DESCRIPTION
3	4	EACH	WFS12002	WASHER, FLAT, HDN, 12mm, STL, BLK
2	1	EACH	PUL89009	PULLEY, CRANK, ISL, 8.5L, 26X, 8", '09
1	4	EACH	BTC12060	BOLT, HEX, 12 x 1.75 x 60mm, 10.9, PLT

BILL OF MATERIALS

DRAWN	Jose Rodriguez	4/17/2009		
CHECKED	Val Jakowlew	4/17/2009		
REV	ECN	DESCRIPTION	DATE	BY
				James Stewart
				Ron Ingram
				Dale Mason
TITLE			Kit, Pulley, ISL-G, A3RE, '09	
DWG NO			REV	
D			0	
SCALE			1:1	
DRAWING UNIT OF MEASURE			MM (INCH)	

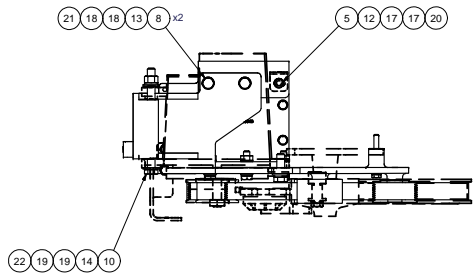


UNSPECIFIED TOLERANCES:	(ALL DIM)	GROUP
ONE DECIMAL PLACE (10)	AS SHOWN	
TWO DECIMAL PLACE (20)	AS SHOWN	
FRACTIONAL (1/32)	AS SHOWN	

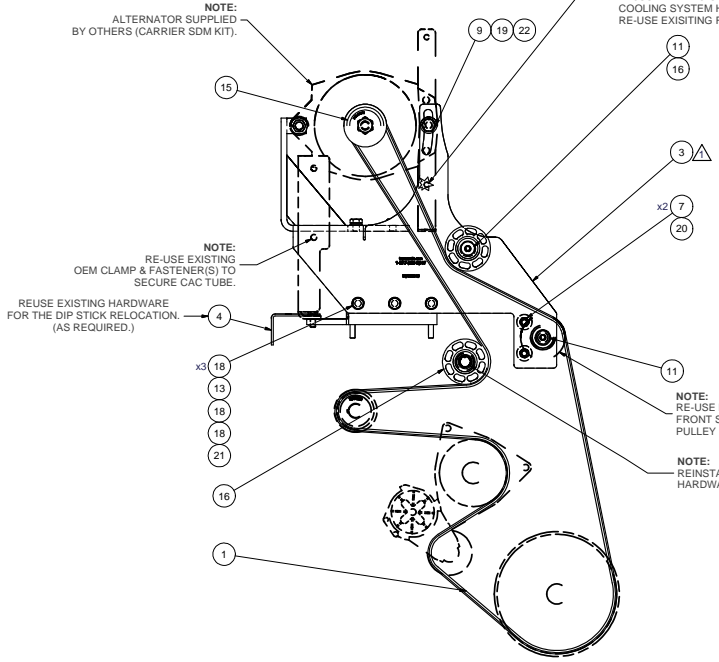


THIRD ANGLE PROJECTION

SHEET 1 OF 1



NOTE:  
 DRILL  $\phi 21/64"$  HOLE TO  
 SUIT PROPER HEIGHT  
 ADJUSTMENT TO CLAMP ENGINE  
 COOLING SYSTEM HOSE.  
 RE-USE EXISTING FASTENER(S)



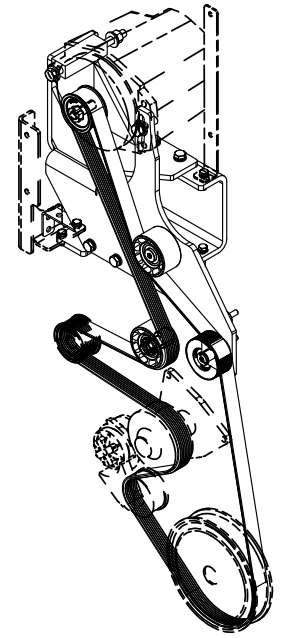
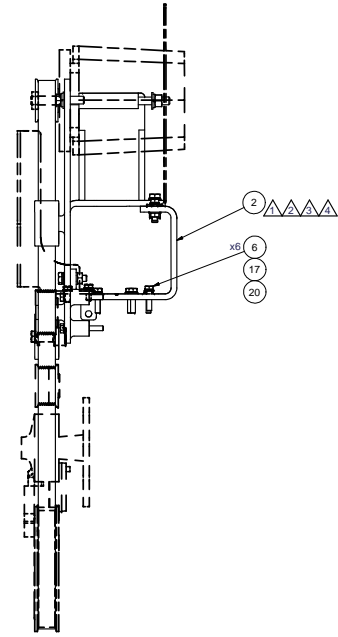
NOTE:  
 ALTERNATOR SUPPLIED  
 BY OTHERS (CARRIER SDM KIT).

NOTE:  
 RE-USE EXISTING  
 OEM CLAMP & FASTENER(S) TO  
 SECURE CAC TUBE.

REUSE EXISTING HARDWARE  
 FOR THE DIP STICK RELOCATION.  
 (AS REQUIRED.)

NOTE:  
 RE-USE EXISTING OEM  
 FRONT SIDE IDLER  
 PULLEY

NOTE:  
 REINSTALL OEM  
 HARDWARE.



ISOMETRIC VIEW

ITEM	QTY	U/M	PART NUMBER	DESCRIPTION
22	2	EACH	WLO08000	WASHER, LOCK, 1/2", 8, PLT
21	5	EACH	WLA10000	WASHER, LOCK, 10mm, 8.8, PLT
20	9	EACH	WLA08000	WASHER, LOCK, 8mm, 8.8, PLT
19	3	EACH	WFO08000	WASHER, FLAT, 1/2", 8, PLT
18	10	EACH	WFA10000	WASHER, FLAT, 10mm, 8.8, PLT
17	8	EACH	WFA08000	WASHER, FLAT, 8mm, 8.8, PLT
16	2	EACH	PUL80076	PULLEY, IDLER, BACKSIDE, P8, 76D, 39W
15	1	EACH	PUL80064	PULLEY, ALT., REAR, ISC, A3RE, '09
14	1	EACH	NTQ08000	NUT, HEX, 1/2-13UNC, 8, PLT
13	5	EACH	NTA10000	NUT, HEX, 10 x 1.5, 8.8, PLT
12	1	EACH	NTA08000	NUT, HEX, 8 x 1.25, 8.8, PLT
11	2	EACH	BT130001	BOLT, SHOULDER, 10mm (IDLER PULLEY)
10	1	EACH	BTQ08A53	BOLT, HEX, 1/2-13UNC x 6.50, 8, PLT
9	1	EACH	BTQ08150	BOLT, HEX, 1/2-13UNC x 1.50, 8, PLT
8	5	EACH	BTC10040	BOLT, HEX, 10 x 1.5 x 40mm, 10.9, PLT
7	2	EACH	BTC08065	BOLT, HEX, 8 x 1.25 x 65mm, 10.9, PLT
6	6	EACH	BTC08035	BOLT, HEX, 8 x 1.25 x 35mm, 10.9, PLT
5	1	EACH	BTC08030	BOLT, HEX, 8 x 1.25 x 30mm, 10.9, PLT
4	1	EACH	BMZ00029	BKT, UNIVER, HOSE/CABLE, MT, U/S CHASSIS
3	1	EACH	BMC83042	BKT, MAIN, ALT, WELDMT, ISC, A3RE, '09
2	1	EACH	BMC83040	BKT, PL, ALT., REAR, ISC, A3RE, '09
1	1	EACH	BEL2705	Belt, Sgr, 2705mm (106.5") (5081065)

BILL OF MATERIALS

4	MODIFIED BMC83040	11/28/2011	VALJ
3	MODIFIED BMC83040	11/29/2010	JRR
2	MODIFIED BMC83040	8/15/2010	JRR
1	MODIFIED BMC83040 4.2	8/8/2010	JRR
0	RELEASED TO PRODUCTION	2/25/2009	JRR

REV: ECN | DESCRIPTION: | DATE: | BY:

DRAWN: Jose Rodriguez 2/25/2009  
 CHECKED: James Stewart 2/25/2009  
 APPROVED: Ron Ingram 2/25/2009  
 DATE: Dale Mason 2/25/2009

UNspecified TOLERANCES: H+1.0M | F-0.5M | T-0.13M  
 ONE DECIMAL PLACE (X1) | .05 | .010  
 TWO DECIMAL PLACE (X2) | .02 | .005  
 FRACTIONAL (X1/16) | .03125 | .00125

THIRD ANGLE PROJECTION  
 DRAWING UNIT OF MEASURE: MM (INCH)

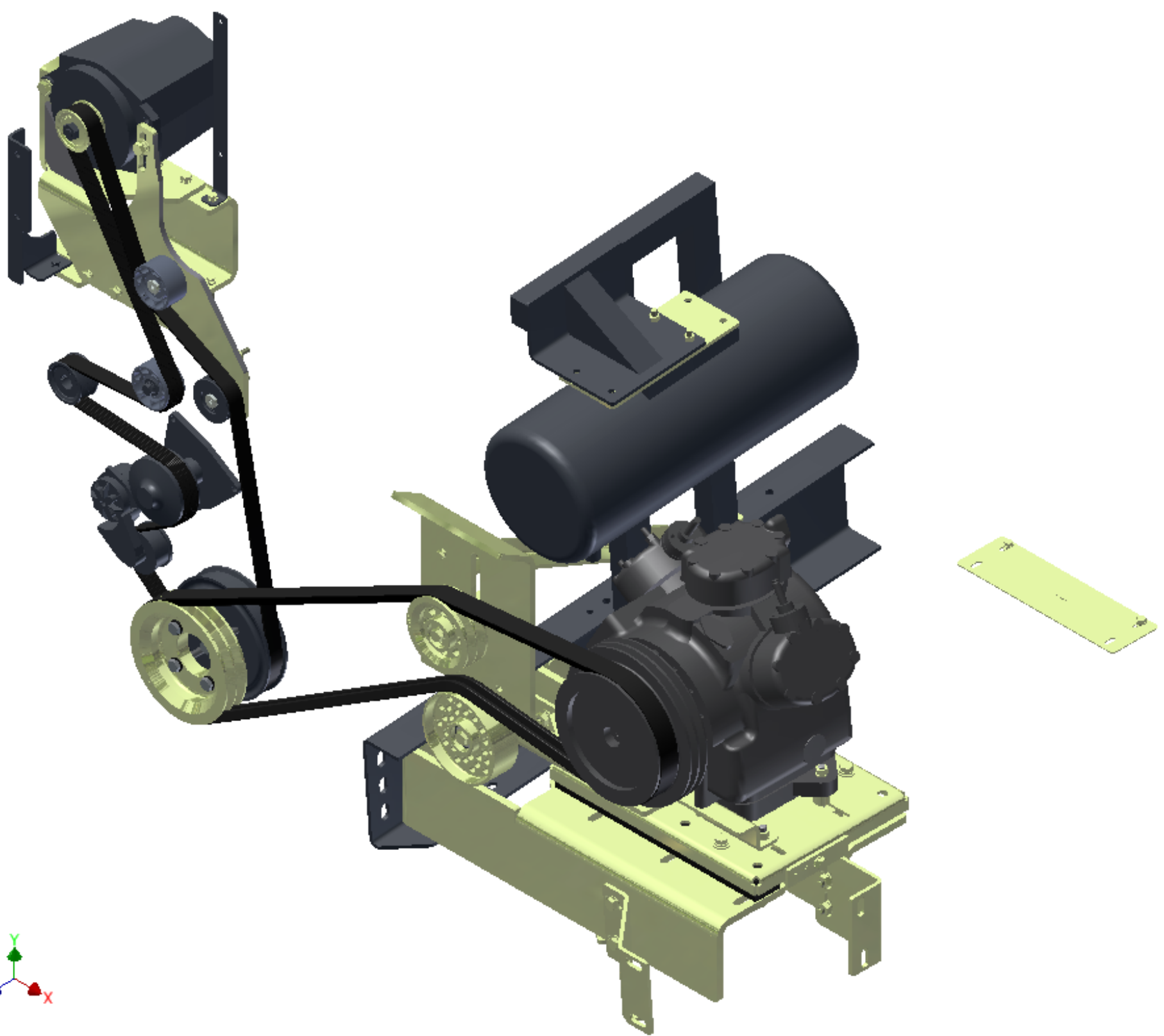
**TRANSARGTIG INC.**

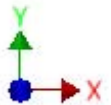
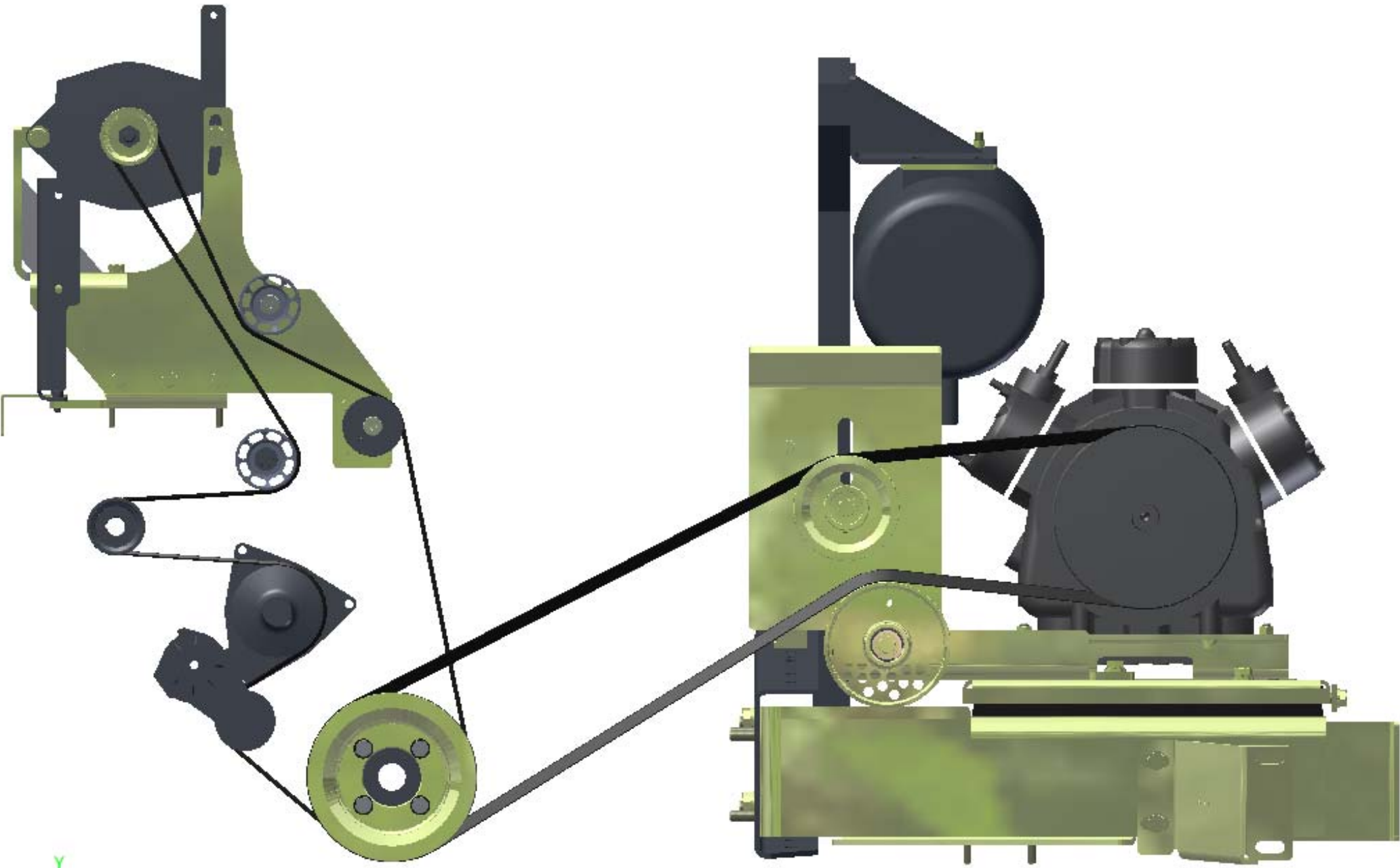
TITLE: Alt. Kit, 24V, ISC, A3RE, '09

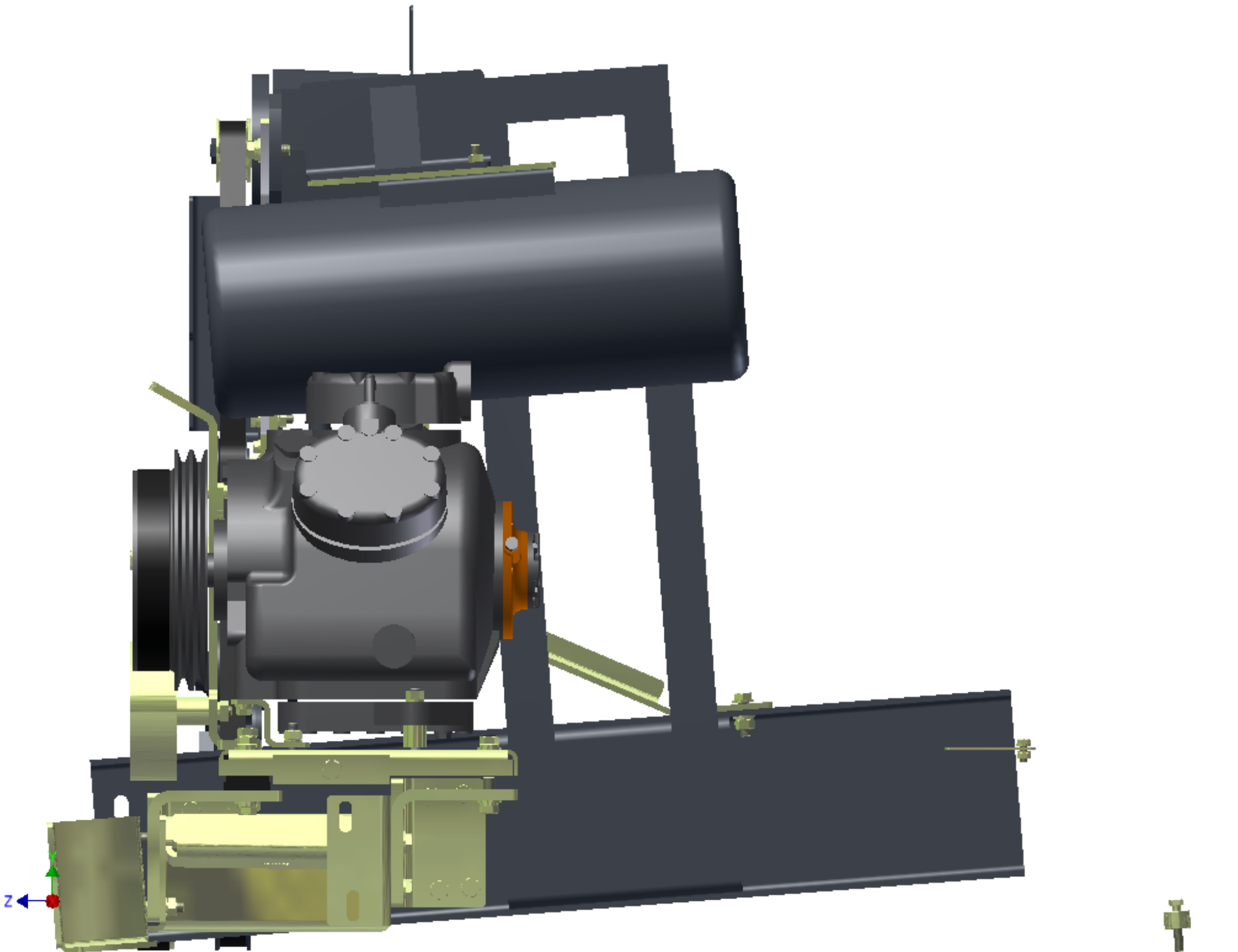
SIZE: D DWG NO: KAC94161

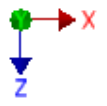
SCALE: 1:2 SHEET 1 OF 1

NOTES:  
 1) USE SERVICABLE THREADLOCKER ON ALL FASTENERS TO ENGINE COMPONENTS AND TORQUE ALL BOLTS TO S.A.E. SPECIFICATIONS.  
 2) SEE "TRANSARGTIG A/C COMPRESSOR MOUNT INSTALLATION DISCLAIMER".











## **TransArctic A/C Compressor Mount Installation Disclaimer**

All compressor mounts should be installed by qualified and trained personnel using proper tools and equipment in safe working conditions following industry standard guidelines for motor vehicle service and repair.

The installer of any compressor mount purchased from TransArctic must undertake all responsibility of issues arising from that compressor bracket being installed on any vehicle. As well as insure that a **proper and sufficient ground** is established between the compressors' clutches and the vehicle's engine. Mount functionality, operation and durability can all be compromised by an incompetent installation.

Due to the many different situations, parameters and application criteria, which are beyond the compressor mount manufacturer's control, TransArctic does not warrant design, durability, or operational functionality of any compressor mount improperly installed by another party.

**With no implied guarantees it is the mount installer's strict responsibility to determine safety and functionality, of the compressor mount, at the time of installation.**

Please contact TransArctic with any issue arising from installation so we may better improve the product. If you have any reservations about the compressor mount integrity contact TransArctic immediately at 1-877-COLD-AIR.

**Mark OEM tensioner location**

**Install Kit**

**Check for Interferences**

**Check to ensure that the proper OEM tensioner orientation is maintained**

**Run engine with A/C system engaged for at least 10 minutes to run in belt**

**Check OEM tensioner orientation and adjust as required**

### **Responsabilidad limitada de TransArctic en la instalación del soporte del compresor**

Todos los soportes de los compresores deben ser instalados por personas calificadas y entrenadas, usando para ello los equipos y herramientas necesarios para esta labor en buenas condiciones y según las normas y guías para el servicio y/o reparación de motores de vehículos.

El instalador de los soportes comprados en TransArctic asume toda la responsabilidad de cualquier problema que surga en el soporte del compresor al vehículo; de igual manera es responsable que el cable a tierra sea conectado entre el embrague del compresor y el motor del vehículo.

Se advierte que el buen funcionamiento y la durabilidad del soporte pueden ser comprometidos por defectos en su instalación.

Debido a las diversas situaciones que se puedan presentar fuera del control del fabricante, TransArctic no garantiza el diseño, la durabilidad o el correcto funcionamiento de cualquier equipo inapropiadamente instalado por terceros.

**Esta sobreentendido que el Instalador del montaje del compresor es estrictamente responsable de la seguridad y funcionamiento del equipo en el momento de la instalación.**

Si tuviera algún problema o duda acerca de la instalación del soporte del compresor pongase en contacto inmediatamente con TransArctic al teléfono 1-877-COLD-AIR de modo que podamos mejorar nuestro producto.

**Note la ubicación del medidor de tensión OEM**

**Instale el equipo**

**Controlar si hay interferencias.**

**Asegurese que el medidor de tensión mantenga la orientación justa.**

**Encienda el motor por lo menos 10 minutos con el sistema A/C enganchado para que la correa corra**

**Controle la orientación justa del medidor de tensión y ajuste a las condiciones requeridas del fabricante**