

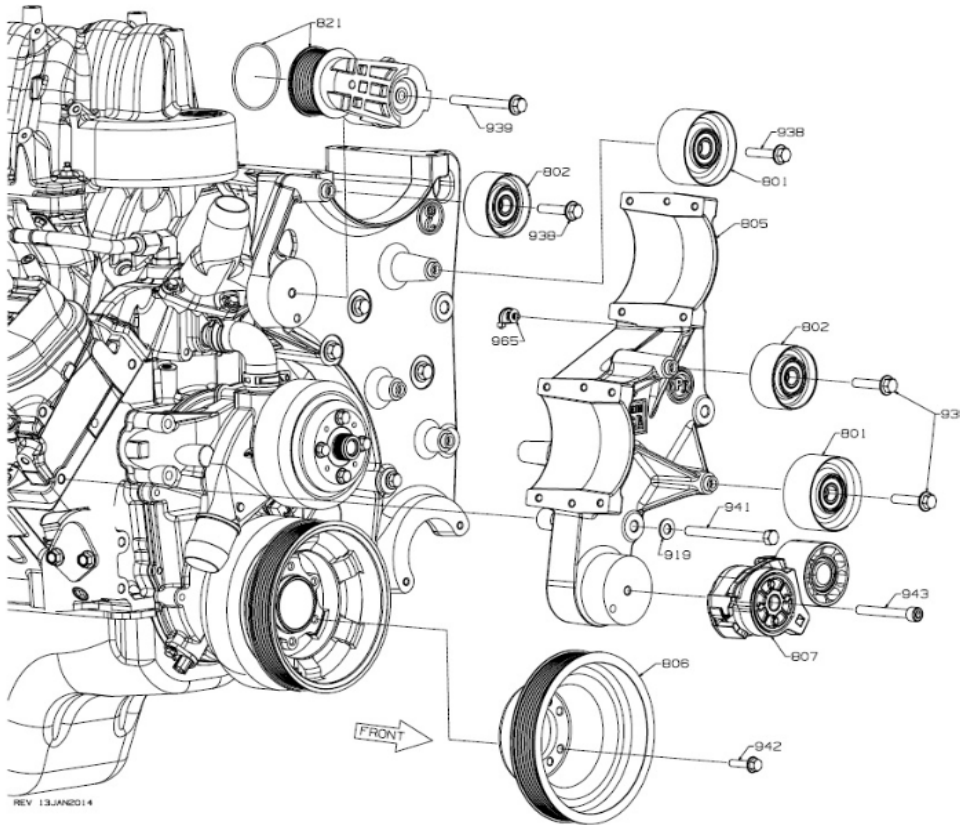
Bill of Materials Listing

TransArctic Canada Inc.

7/28/2016
Page 1 of 1

Product Number	Description	Date	Weight	Uof M	Yield
Line Component Prod#	Description	Bin Unit	Qty		
KMG82675	Mt Kit, GMC 8.0L LPG, C2, 2 TM-21, '13	8/12/2014	33.45		0
10 11626	Mt Kit, GMC 8.0L LPG, C2, Dual Mt, '13	each	1		
20 BEL82007	Belt, 8gr, 2007mm (79") (5080790)	each	1		

Dual Propane Mount



Search:

Call	Part #	H	Description	Vehicle Usage	Engine Usage	Year	Qty
801	11264		PULLEY,SMOOTH IDLER 86MM	S2G , C2	AC2	13-14	1
802	11260		PULLEY, SMOOTH IDLER 74MM	S2G , C2	AC2	13-14	2
805	12845		BRACKET, DUAL A/C COMPRESSOR (MACHINED)	S2G , C2	AC2	13-14	2
806	11127		PULLEY, DUAL AC CRANK	S2G , C2	AC2	13-14	1
807	11079		TENSIONER, ACCESSORY BELT	S2G , C2	AC2	13-14	1
821	11535		TENSIONER ASM, ACCESSORY BELT	S2G , C2	AC2	13-14	1
919	13201		WASHER, 7/16" SAE FLAT	S2G , C2	AC2	13-14	3
938	13046		BOLT, IDLER PULLEY RETAINING	S2G , C2	AC2	13-14	4
939	13047		BOLT, LARGE TENSIONER RETAINING	S2G , C2	AC2	13-14	1
941	13182		SCREW, A/C BRACKET RETAINING	S2G , C2	AC2	13-14	3