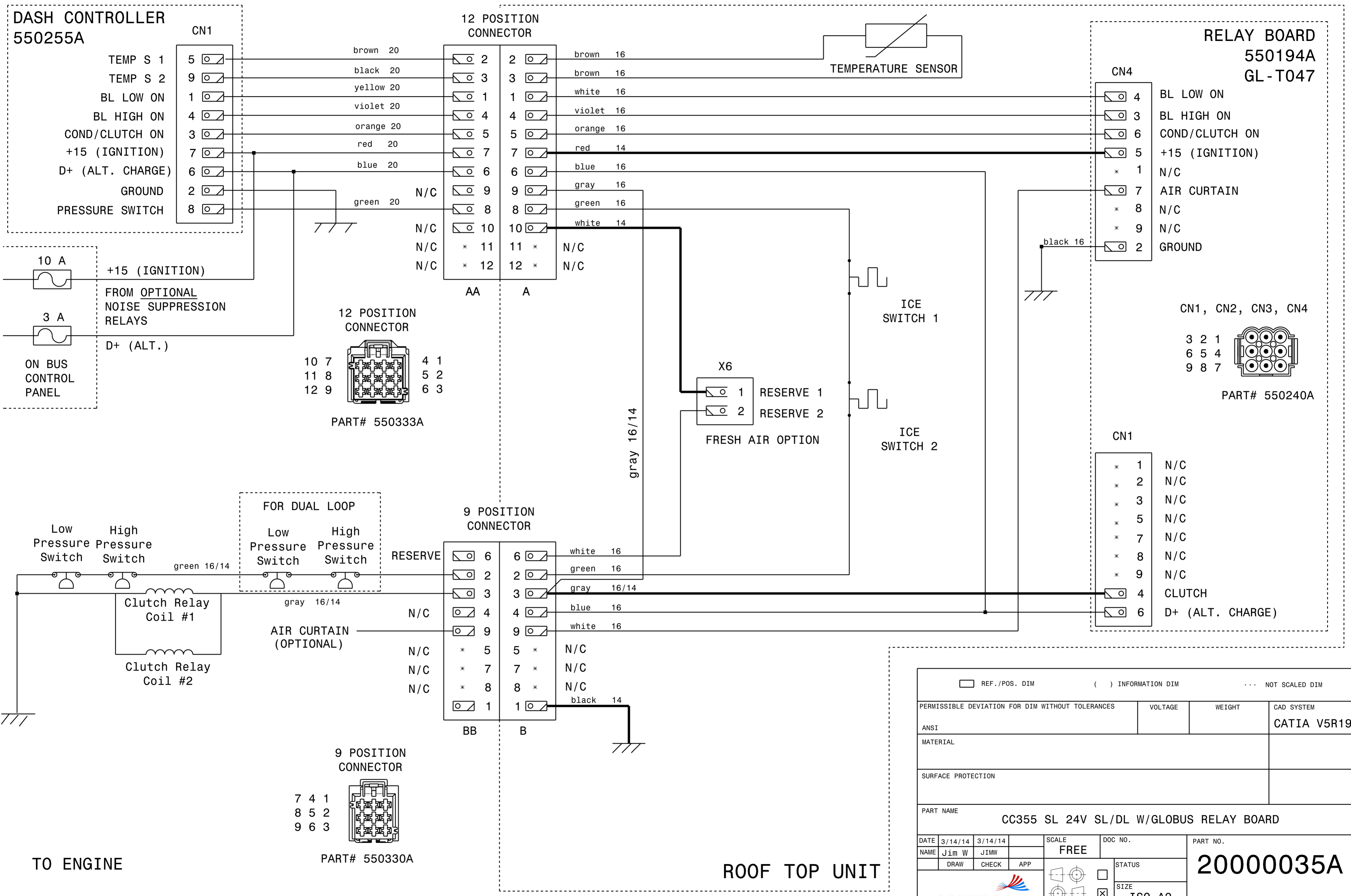


CL1	CL2	QTY	NUMBER	CHANGE	DD.MM.YY	DRAW	CHECK



REF./POS. DIM		INFORMATION DIM		NOT SCALED DIM	
PERMISSIBLE DEVIATION FOR DIM WITHOUT TOLERANCES		VOLTAGE	WEIGHT	CAD SYSTEM	
ANSI				CATIA V5R19	
MATERIAL					
SURFACE PROTECTION					
PART NAME CC355 SL 24V SL/DL W/GLOBUS RELAY BOARD					
DATE	3/14/14	3/14/14	SCALE	DOC NO.	PART NO.
NAME	Jim W	JIMW	FREE		20000035A
DRAW	CHECK	APP			
SPHEROS			STATUS		SIZE
			ISO A2		
REPLACED BY PART-NO.			REPLACEMENT FOR PART-NO.		PAGE 1 / 1