

Bill of Materials Listing

TransArctic Canada Inc.

4/8/2009
Page 1 of 1

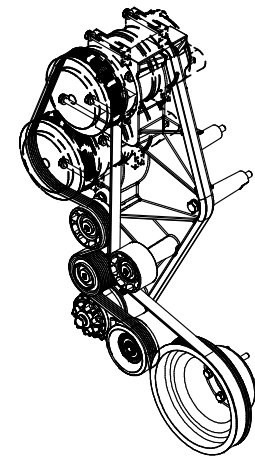
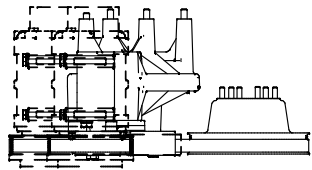
Product Number	Description	Date	Weight	Uof M	Yield
Line Component Prod#	Description	Bin Unit	Qty		
KMG82670	Mt Kit, GMC 8.1L LPG, BBCV, 2 TM-21, '08		8/11/2008	29.00	0
10 BEL62007	Belt, 6gr, 2007mm (79") (5060790)		each	1	
20 BMG81000	Bkt, Main, 8.1L GM, 2008, ALUM		each	1	
30 PUL80076	Pulley, Idler, Backside, P8, 76d (89062)		each	2	
40 PUL81003	Pulley, Crank, Add-on, GM, 8.1L, P8		each	1	
50 PUL81074	Pulley, Idler, Frontside, P8,74d (89103)		each	1	
60 TEN80005	Tenr, HD Spring, BackSide, CCW (89430)		each	1	
70 KBG82671	Bag Kit, Fasteners, KMG82671/2071/2670		each	1	

Bill of Materials Listing

TransArctic Canada Inc.

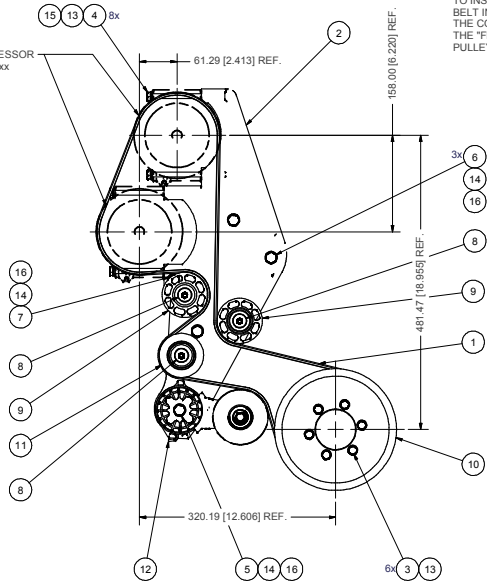
4/8/2009
Page 1 of 1

Product Number	Description	Date	Weight	Uof M	Yield
Line Component Prod#	Description	Bin Unit	Qty		
KBG82671	Bag Kit, Fasteners, KMG82671/2071/2670		8/20/2008	1.70	0
10 BTC08030	Bolt, Hex, 8 x 1.25 x 30mm, 10.9, Plt,FT	each	6		
20 BTC08100	Bolt, Hex, 8 x 1.25 x 100mm, 10.9, Plt	each	8		
30 BTC10090	Bolt, Hex, 10 x 1.5 x 90mm, 10.9, Plt	each	1		
40 BTC10130	Bolt, Hex, 10 x 1.5 x 130mm, 10.9, Plt	each	3		
50 BTC10180	Bolt, Hex, 10 x 1.5 x 180mm, 10.9, Plt	each	1		
60 BTS10001	Bolt, Shoulder, 10mm (89064)	each	3		
70 WFA08000	Washer, Flat, 8mm, 8.8, Plt	each	14		
80 WFA10000	Washer, Flat, 10mm, 8.8, Plt	each	5		
90 WLA08000	Washer, Lock, 8mm, 8.8, Plt	each	8		
100 WLA10000	Washer, Lock, 10mm, 8.8, Plt	each	5		

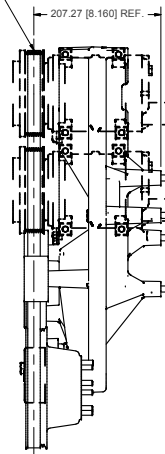


ISOMETRIC VIEW

NOTE:
CARRIER COMPRESSOR
PART #: 76-62154-xx



NOTE:
TO INSTALL BELT USE THE 6 GROOVE 79"
BELT IN THE CENTER 6 GROOVES OF
THE COMPRESSOR PULLEYS ONLY &
THE "FRONT" 6 GROOVES OF THE OEM
PULLEY.



NOTES:

- 1) USE SERVICABLE THREADLOCKER ON ALL FASTENERS TO ENGINE COMPONENTS AND TORQUE ALL BOLTS TO S.A.E. SPECIFICATIONS.
- 2) SEE "TRANSARGTIC A/C COMPRESSOR MOUNT INSTALLATION DISCLAIMER".

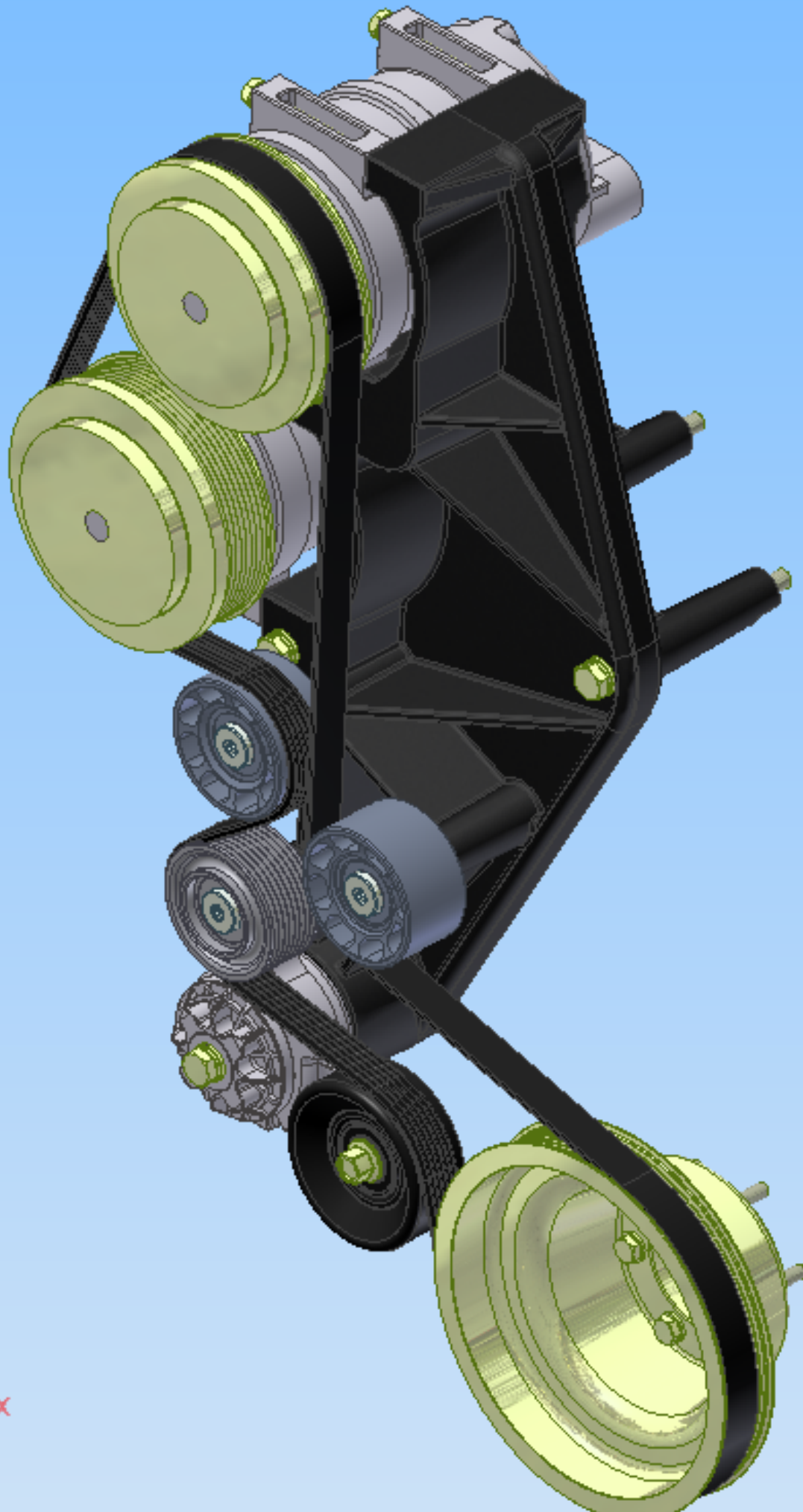
ITEM	QTY	U/M	PART NUMBER	DESCRIPTION
16	5	EACH	WLA10000	WASHER, LOCK, 10mm, 8.8, PLT
15	8	EACH	WLA08000	WASHER, LOCK, 8mm, 8.8, PLT
14	5	EACH	WFA10000	WASHER, FLAT, 10mm, 8.8, PLT
13	14	EACH	WFA08000	WASHER, FLAT, 8mm, 8.8, PLT
12	1	EACH	TENR0005	TENR, HD SPRING, BACKSIDE, CCV (89430)
11	1	EACH	PULS1074	PULLEY, IDLER, FRONTSIDE, P8, 74d x 39w
10	1	EACH	PULS1003	PULLEY, CRANK, ADD-ON, GM, 8.1L, P8
9	2	EACH	PUL80076	PULLEY, IDLER, BACKSIDE, P8, 76D, 39W
8	3	EACH	BTS10001	BOLT, SHOULDER, 10mm (IDLER PULLEY)
7	1	EACH	BTC10180	BOLT, HEX, 10 x 1.5 x 180mm, 10.9, PLT
6	3	EACH	BTC10130	BOLT, HEX, 10 x 1.5 x 130mm, 10.9, PLT
5	1	EACH	BTC10090	BOLT, HEX, 10 x 1.5 x 90mm, 10.9, PLT
4	8	EACH	BTC08100	BOLT, HEX, 8 x 1.25 x 100mm, 10.9, PLT
3	6	EACH	BTC08030	BOLT, HEX, 8 x 1.25 x 30mm, 10.9, PLT
2	1	EACH	BMG81000	BKT, MAIN, 8.1L GM, 2008, ALUM
1	1	EACH	BEL62007	BELT, 6gr, 2007mm (79") (5060790)

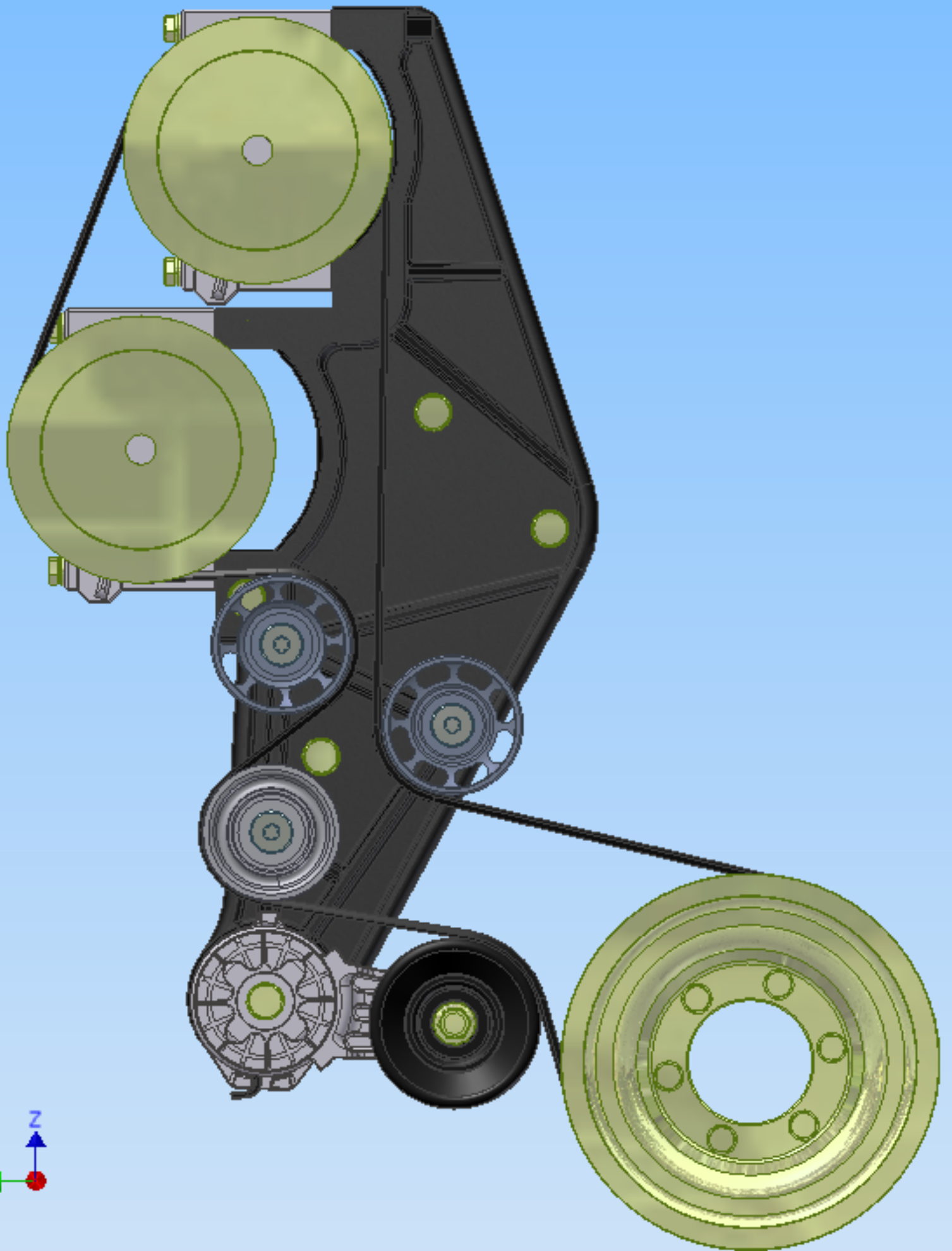
BILL OF MATERIALS

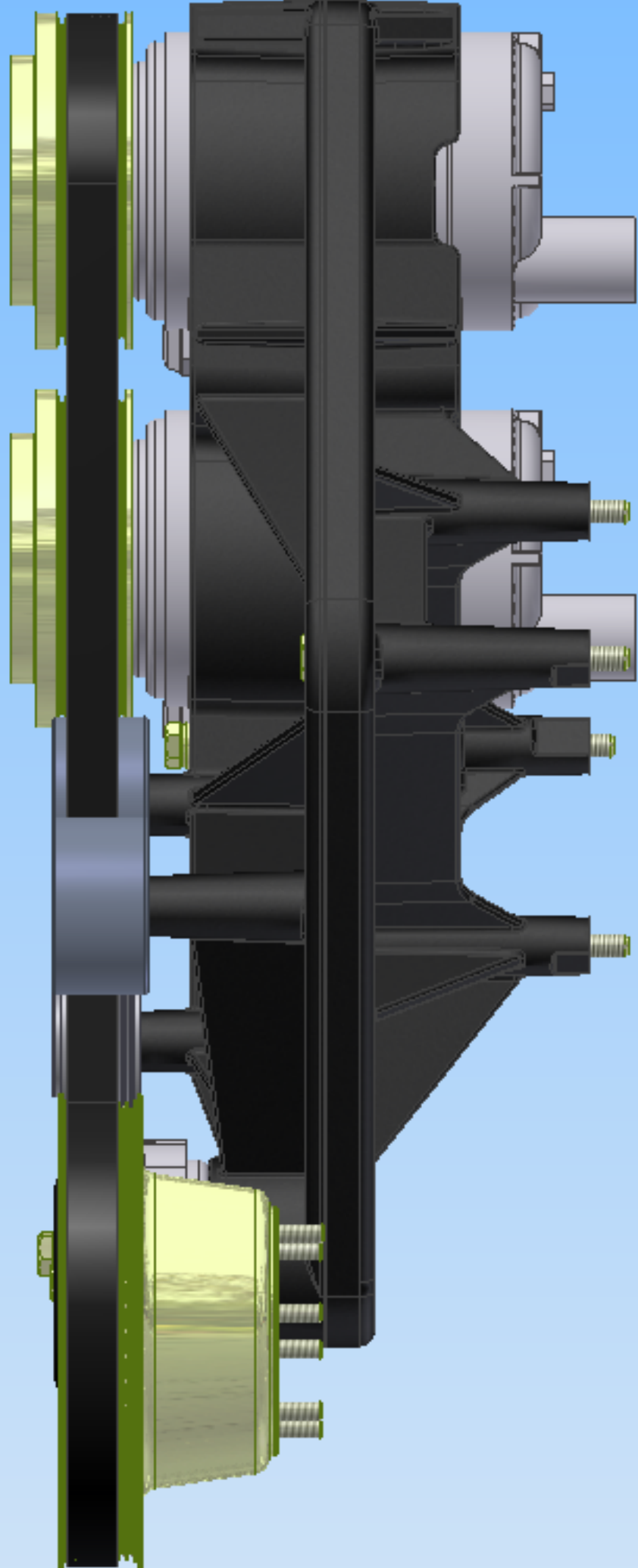
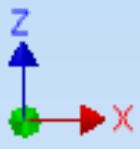
DRAWN		Jose Rodriguez	11/19/2008	TRANSARGTIC INC.		
CHECKED		James Stewart	11/19/2008			
REV		ECN	DESCRIPTION	DATE	BY	TITLE
1			RELEASED TO PRODUCTION	11/19/2008	BR	CA
2			DESCRIPTION	DATE	BY	TITLE
3			DESCRIPTION	DATE	BY	TITLE
4			DESCRIPTION	DATE	BY	TITLE
5			DESCRIPTION	DATE	BY	TITLE
6			DESCRIPTION	DATE	BY	TITLE
7			DESCRIPTION	DATE	BY	TITLE
8			DESCRIPTION	DATE	BY	TITLE
9			DESCRIPTION	DATE	BY	TITLE
10			DESCRIPTION	DATE	BY	TITLE
11			DESCRIPTION	DATE	BY	TITLE
12			DESCRIPTION	DATE	BY	TITLE
13			DESCRIPTION	DATE	BY	TITLE
14			DESCRIPTION	DATE	BY	TITLE
15			DESCRIPTION	DATE	BY	TITLE
16			DESCRIPTION	DATE	BY	TITLE
17			DESCRIPTION	DATE	BY	TITLE
18			DESCRIPTION	DATE	BY	TITLE
19			DESCRIPTION	DATE	BY	TITLE
20			DESCRIPTION	DATE	BY	TITLE
21			DESCRIPTION	DATE	BY	TITLE
22			DESCRIPTION	DATE	BY	TITLE
23			DESCRIPTION	DATE	BY	TITLE
24			DESCRIPTION	DATE	BY	TITLE
25			DESCRIPTION	DATE	BY	TITLE
26			DESCRIPTION	DATE	BY	TITLE
27			DESCRIPTION	DATE	BY	TITLE
28			DESCRIPTION	DATE	BY	TITLE
29			DESCRIPTION	DATE	BY	TITLE
30			DESCRIPTION	DATE	BY	TITLE
31			DESCRIPTION	DATE	BY	TITLE
32			DESCRIPTION	DATE	BY	TITLE
33			DESCRIPTION	DATE	BY	TITLE
34			DESCRIPTION	DATE	BY	TITLE
35			DESCRIPTION	DATE	BY	TITLE
36			DESCRIPTION	DATE	BY	TITLE
37			DESCRIPTION	DATE	BY	TITLE
38			DESCRIPTION	DATE	BY	TITLE
39			DESCRIPTION	DATE	BY	TITLE
40			DESCRIPTION	DATE	BY	TITLE
41			DESCRIPTION	DATE	BY	TITLE
42			DESCRIPTION	DATE	BY	TITLE
43			DESCRIPTION	DATE	BY	TITLE
44			DESCRIPTION	DATE	BY	TITLE
45			DESCRIPTION	DATE	BY	TITLE
46			DESCRIPTION	DATE	BY	TITLE
47			DESCRIPTION	DATE	BY	TITLE
48			DESCRIPTION	DATE	BY	TITLE
49			DESCRIPTION	DATE	BY	TITLE
50			DESCRIPTION	DATE	BY	TITLE
51			DESCRIPTION	DATE	BY	TITLE
52			DESCRIPTION	DATE	BY	TITLE
53			DESCRIPTION	DATE	BY	TITLE
54			DESCRIPTION	DATE	BY	TITLE
55			DESCRIPTION	DATE	BY	TITLE
56			DESCRIPTION	DATE	BY	TITLE
57			DESCRIPTION	DATE	BY	TITLE
58			DESCRIPTION	DATE	BY	TITLE
59			DESCRIPTION	DATE	BY	TITLE
60			DESCRIPTION	DATE	BY	TITLE
61			DESCRIPTION	DATE	BY	TITLE
62			DESCRIPTION	DATE	BY	TITLE
63			DESCRIPTION	DATE	BY	TITLE
64			DESCRIPTION	DATE	BY	TITLE
65			DESCRIPTION	DATE	BY	TITLE
66			DESCRIPTION	DATE	BY	TITLE
67			DESCRIPTION	DATE	BY	TITLE
68			DESCRIPTION	DATE	BY	TITLE
69			DESCRIPTION	DATE	BY	TITLE
70			DESCRIPTION	DATE	BY	TITLE
71			DESCRIPTION	DATE	BY	TITLE
72			DESCRIPTION	DATE	BY	TITLE
73			DESCRIPTION	DATE	BY	TITLE
74			DESCRIPTION	DATE	BY	TITLE
75			DESCRIPTION	DATE	BY	TITLE
76			DESCRIPTION	DATE	BY	TITLE
77			DESCRIPTION	DATE	BY	TITLE
78			DESCRIPTION	DATE	BY	TITLE
79			DESCRIPTION	DATE	BY	TITLE
80			DESCRIPTION	DATE	BY	TITLE
81			DESCRIPTION	DATE	BY	TITLE
82			DESCRIPTION	DATE	BY	TITLE
83			DESCRIPTION	DATE	BY	TITLE
84			DESCRIPTION	DATE	BY	TITLE
85			DESCRIPTION	DATE	BY	TITLE
86			DESCRIPTION	DATE	BY	TITLE
87			DESCRIPTION	DATE	BY	TITLE
88			DESCRIPTION	DATE	BY	TITLE
89			DESCRIPTION	DATE	BY	TITLE
90			DESCRIPTION	DATE	BY	TITLE
91			DESCRIPTION	DATE	BY	TITLE
92			DESCRIPTION	DATE	BY	TITLE
93			DESCRIPTION	DATE	BY	TITLE
94			DESCRIPTION	DATE	BY	TITLE
95			DESCRIPTION	DATE	BY	TITLE
96			DESCRIPTION	DATE	BY	TITLE
97			DESCRIPTION	DATE	BY	TITLE
98			DESCRIPTION	DATE	BY	TITLE
99			DESCRIPTION	DATE	BY	TITLE
100			DESCRIPTION	DATE	BY	TITLE

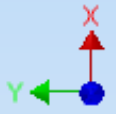
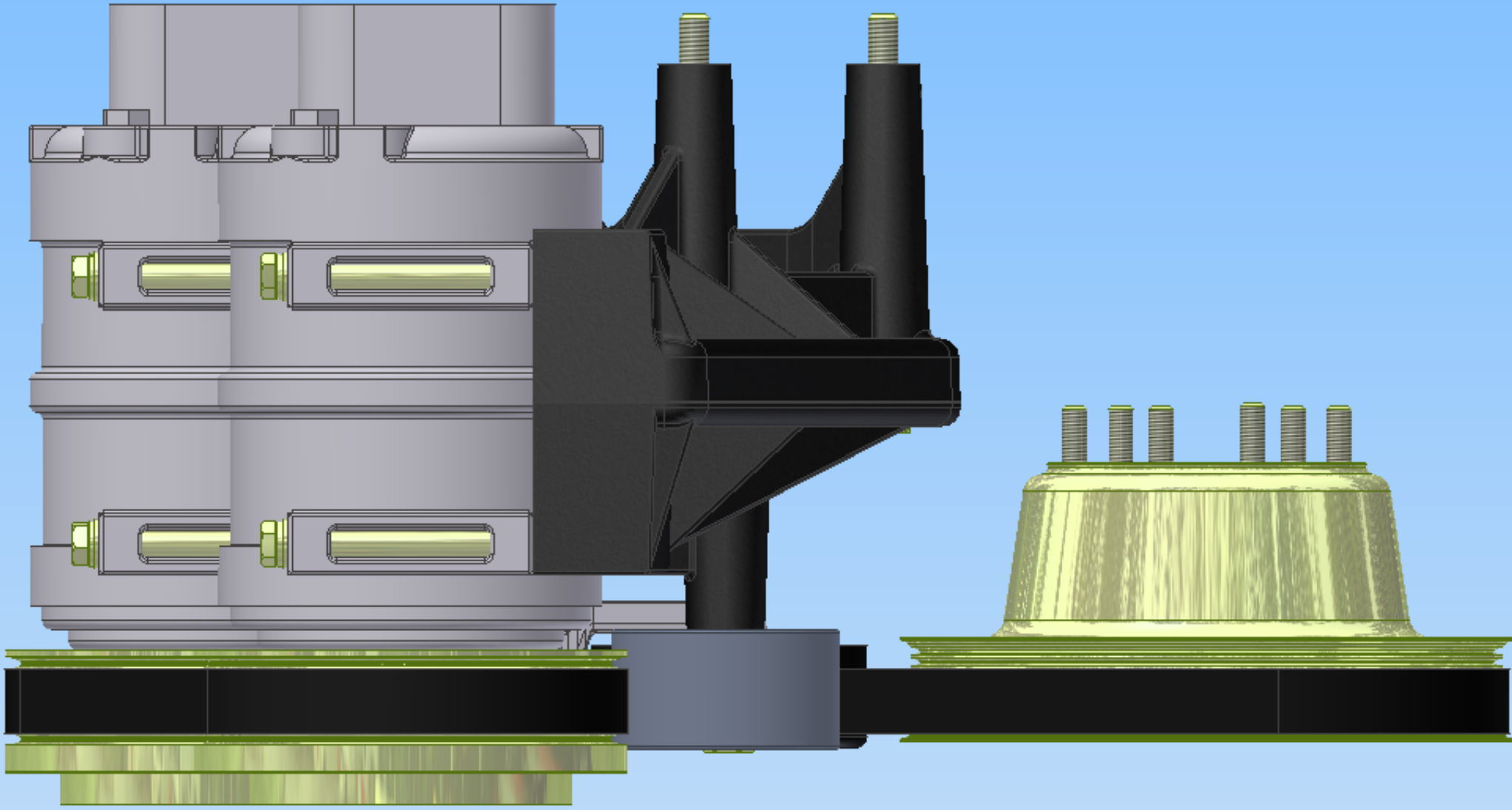
UNSPECIFIED TOLERANCES: (ALL DIM)
 ONE DECIMAL PLACE (10) .10
 FRACTIONAL: 1/32
 ANGLES: .5°

DWG NO: KMG82670
 SCALE: 1:4
 SHEET 1 OF 1









TransArctic A/C Compressor Mount Installation Disclaimer

All compressor mounts should be installed by qualified and trained personnel using proper tools and equipment in safe working conditions following industry standard guidelines for motor vehicle service and repair.

The installer of any compressor mount purchased from TransArctic must undertake all responsibility of issues arising from that compressor bracket being installed on any vehicle. As well as insure that a **proper and sufficient ground** is established between the compressors' clutches and the vehicle's engine. Mount functionality, operation and durability can all be compromised by an incompetent installation.

Due to the many different situations, parameters and application criteria, which are beyond the compressor mount manufacturer's control, TransArctic does not warrant design, durability, or operational functionality of any compressor mount improperly installed by another party.

With no implied guarantees it is the mount installer's strict responsibility to determine safety and functionality, of the compressor mount, at the time of installation.

Please contact TransArctic with any issue arising from installation so we may better improve the product. If you have any reservations about the compressor mount integrity contact TransArctic immediately at 1-877-COLD-AIR.