

Bill of Materials Listing

TransArctic Canada Inc.

7/26/2021
Page 1 of 1

Product Number	Date	Description		Uof M	Weight	Yield		
Line	Qty	Component	Prod#	Rev#	Description	Bin	Unit	
KMC94363	10/16/2020	0	Mt Kit, ISC/L,A3/D3RE, TM43, AFI,'07-'19+				101.79	0
5	0	PAC23150			Pack, Carton, 23" x 15" x 10", 51 ECT		each	
10	1	BEL81842			Belt, 8gr, 1842mm (72.5") (5080725)		each	
20	1	BEL81461			Belt, 8gr, 1461mm (57.5") (5080575)		each	
30	1	BMC83011		0	Bkt, Brace, RR, Tenr, ISC, 8.3L, P8		each	
40	1	BMC83046		2	Bkt, Brace, P/S, 8.3L, 09'		each	
50	1	BMC90039		0	Bkt, Main, Weldmt, BB, P8, 20'		each	
60	1	BMC90040		1	Bkt, Weldm't, Adapt, PI, Tm55/65, '20		each	
70	2	PUL80076			Pulley, Idler, Backside, P8, 74d (89101)		each	
80	1	PUL83088		2	Pulley, Fan,, Add-on, Combo, ISC,8.3,8gr		each	
82	1	SCD57210		0	Spacer, Col, Drl,57.15mm x28.58o x10.32i		each	
85	1	SLV17010		1	Sleeve, Pulley, 16.9o x 22.23mm x 10.32i		each	
90	1	TEN80002			Tenr, HD Spring, BackSide, CCW (89200A)		each	
100	1	KBC95563		0	Bag Kit, Fasteners, KMC95563/94363		each	

NOTE: * WARNING! ******

Confirm the proper fit up of the "add-on" fan pulley part# PUL83088.
 The installation may vary from engine to engine/model-emmission years.
 i.e: With some 2013 emission engines you will need to discard the (4)
 OEM 30mm fan bolts and the OEM spacer and replace with "blue" loctite"
 on (4) M10 x 25mm long bolts supplied.
 On earlier models you may only need to discard the OEM spacer and
 reuse the (4) OEM 30mm bolts. If you have any questions or concerns
 please contact Val Jakowlew at your earliest convenience. _JUN-02-15

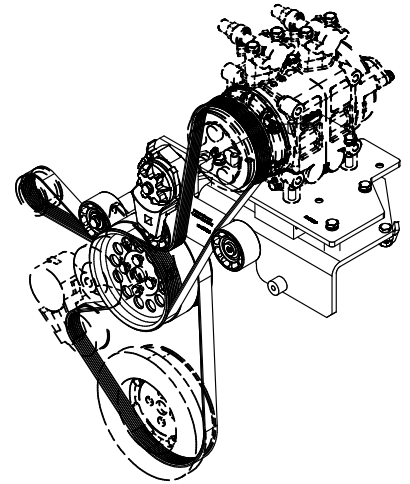
Bill of Materials Listing

TransArctic Canada Inc.

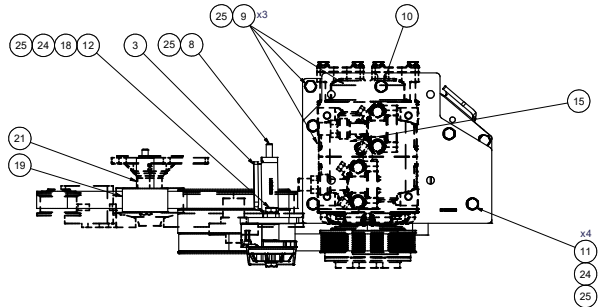
7/26/2021
Page 1 of 1

Product Number	Date	Description		Uof M	Weight	Yield		
Line	Qty	Component	Prod#	Rev#	Description	Bin	Unit	
KBC95563	10/16/2020	0	Bag Kit, Fasteners, KMC95563/94363				1.76	0
10	4	BTC10025			Bolt, Hex, 10 x 1.5 x 25mm, 10.9, Plt		each	
20	2	BTC10030			Bolt, Hex, 10 x 1.5 x 30mm, 10.9, Plt		each	
30	3	BTC10040			Bolt, Hex, 10 x 1.5 x 40mm, 10.9, Plt,FT		each	
40	1	BTC10060			Bolt, Hex, 10 x 1.5 x 60mm, 10.9, Plt		each	
50	4	BTC10070			Bolt, Hex, 10 x 1.5 x 70mm, 10.9, Plt		each	
60	1	BTC10090			Bolt, Hex, 10 x 1.5 x 90mm, 10.9, Plt		each	
65	1	BTC10100			Bolt, Hex, 10 x 1.5 x 100mm, 10.9,Plt,FT		each	
70	1	BTS10001			Bolt, Shoulder, 10mm (89064)		each	
80	1	CSF10041			Capscrew, FH, 10 x 1.5 x 40mm, 10.9,Plt		each	
90	4	CSF12036			Capscrew, FH, 12 x 1.75 x 35mm, 10.9,Plt		each	
100	1	CSS10055			Capscrew, SH, 10 x 1.5 x 55mm, 12.9,Plt		each	
110	2	NTA10000			Nut, Hex, 10 x 1.5, 8.8, Plt		each	
120	7	WFA10000			Washer, Flat, 10mm, 8.8, Plt		each	
130	13	WLA10000			Washer, Lock, 10mm, 8.8, Plt		each	

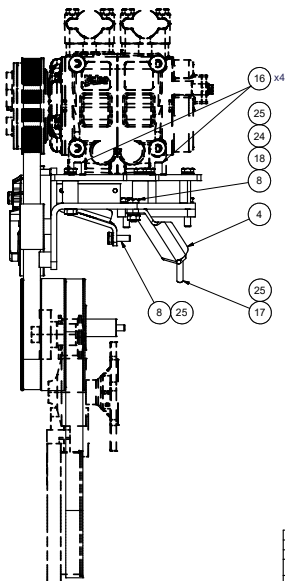
NOTE:
 -FOR USE ONLY ON ENGINE WITH
 RADIATOR ASSY ON
 PASSENGER SIDE.
 -RELOCATE CAC (TO SUIT) BY
 OTHERS.



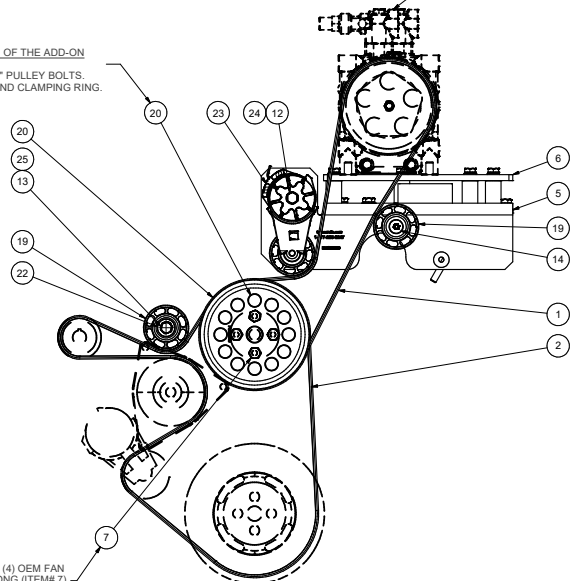
ISOMETRIC VIEW



NOTE:
 SHOWING TRANSARC TIC
 COMPRESSOR PART#
 CMV25980 (TM-43) 12V
 AS REFERENCE.



NOTE: "WARNING"
 -CONFIRM THE PROPER FIT UP OF THE ADD-ON
 FAN PULLEY # PUL83088.
 -REUSE (4) EXISTING OEM "FAN" PULLEY BOLTS.
 -DISCARD OEM "FAN" PULLEY AND CLAMPING RING.

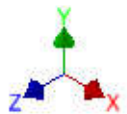
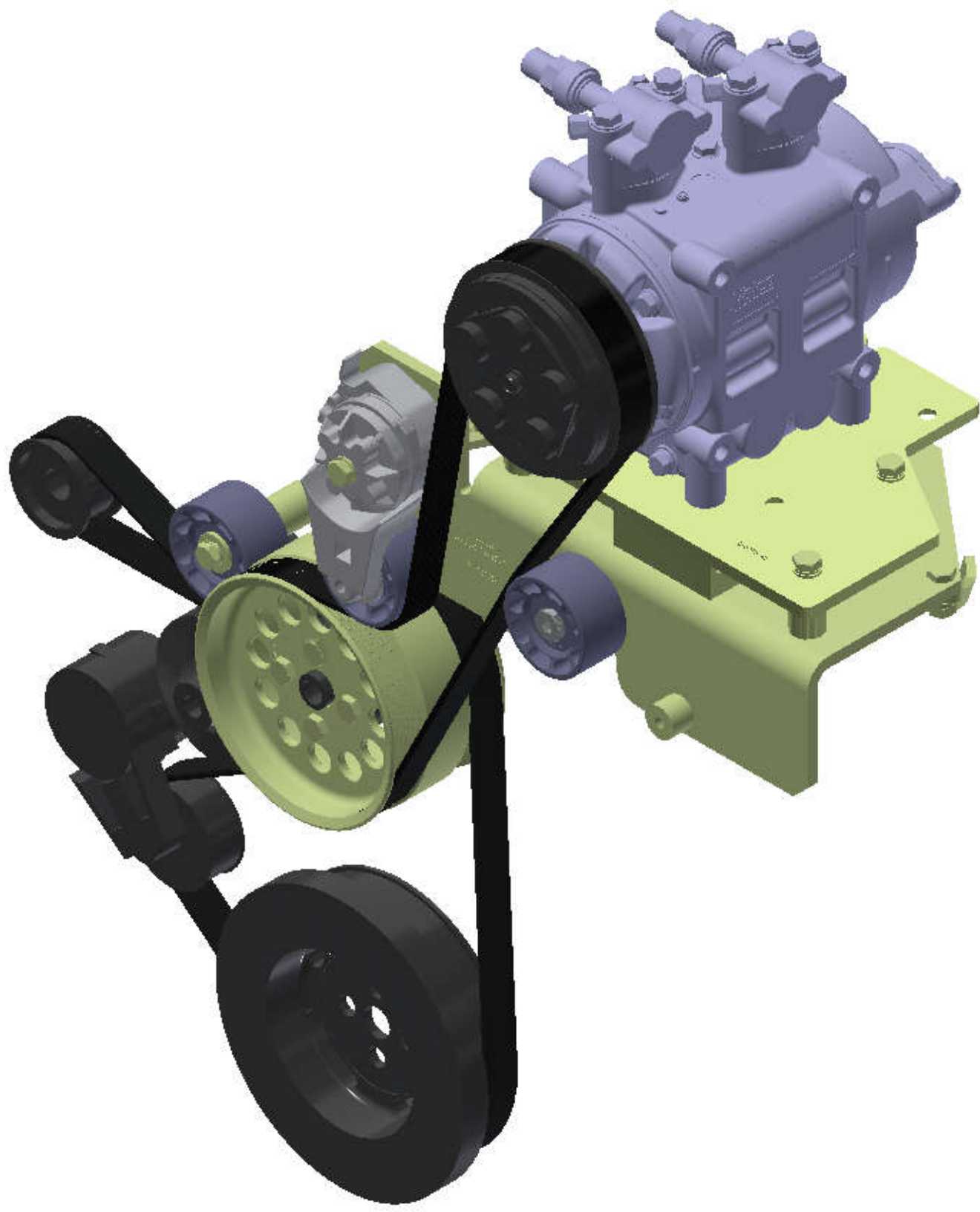


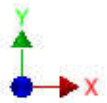
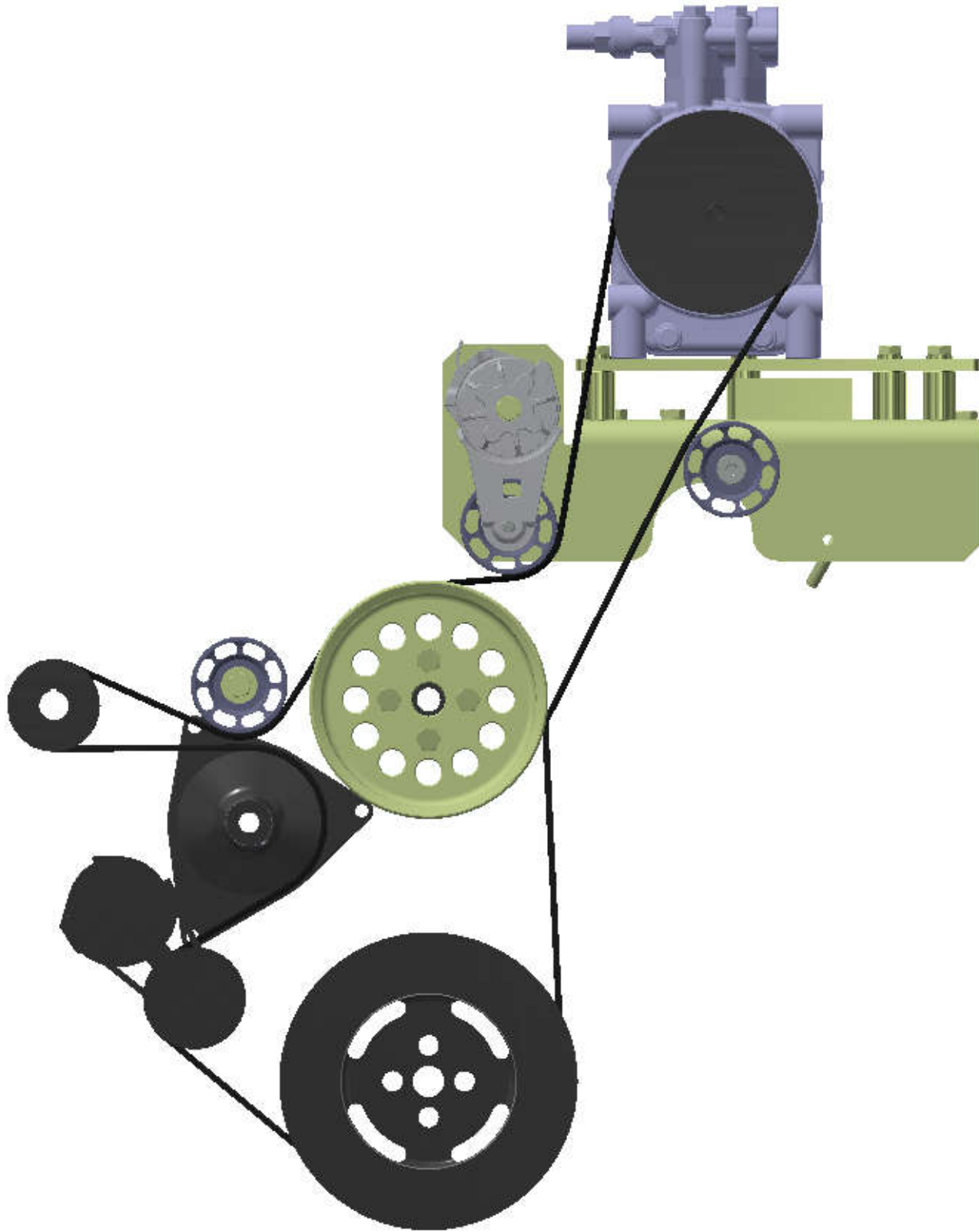
- ON SOME 2013 EMISSION ENGINES DISCARD (4) OEM FAN
 BOLTS AND REPLACE WITH (4) M10 x 25mm LONG (ITEM# 7)
 (SUPPLIED) AND USE BLUE "LOCTITE".

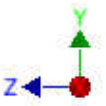
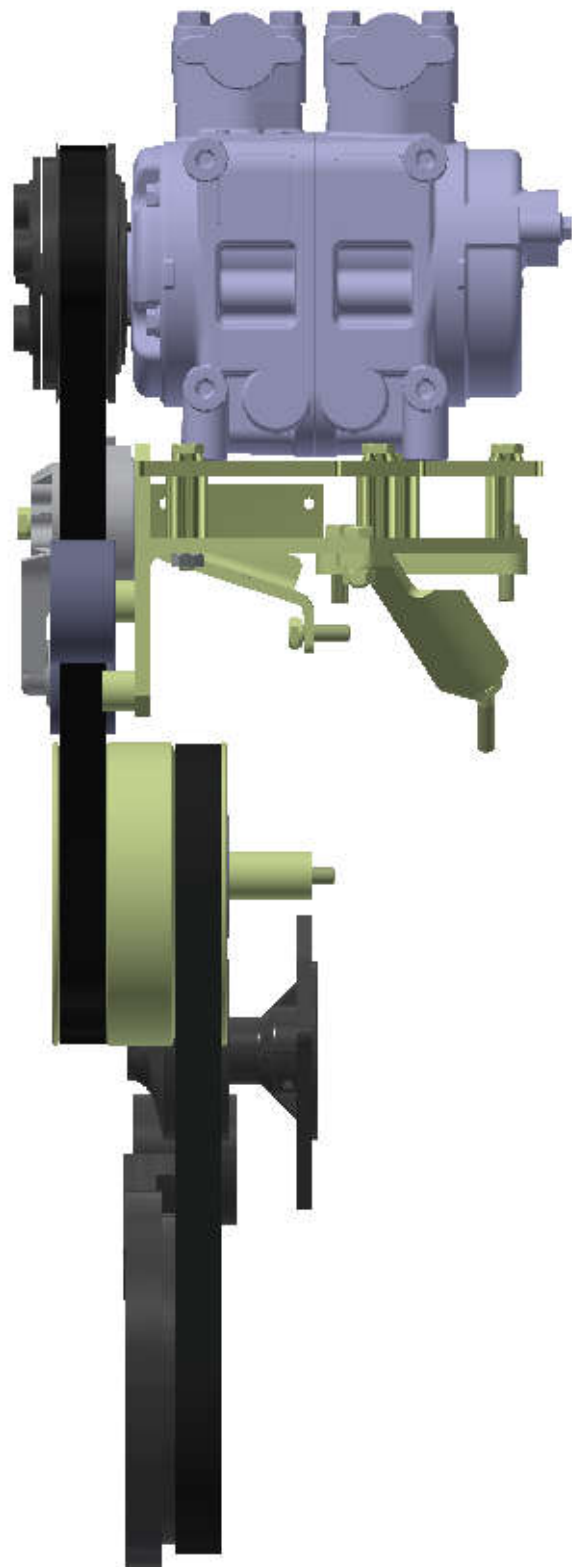
NOTES:
 1) USE SERVICABLE THREADLOCKER ON ALL FASTENERS TO ENGINE
 COMPONENTS AND TORQUE ALL BOLTS TO S.A.E. SPECIFICATIONS.
 2) SEE "TRANSARC TIC A/C COMPRESSOR MOUNT INSTALLATION DISCLAIMER".

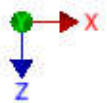
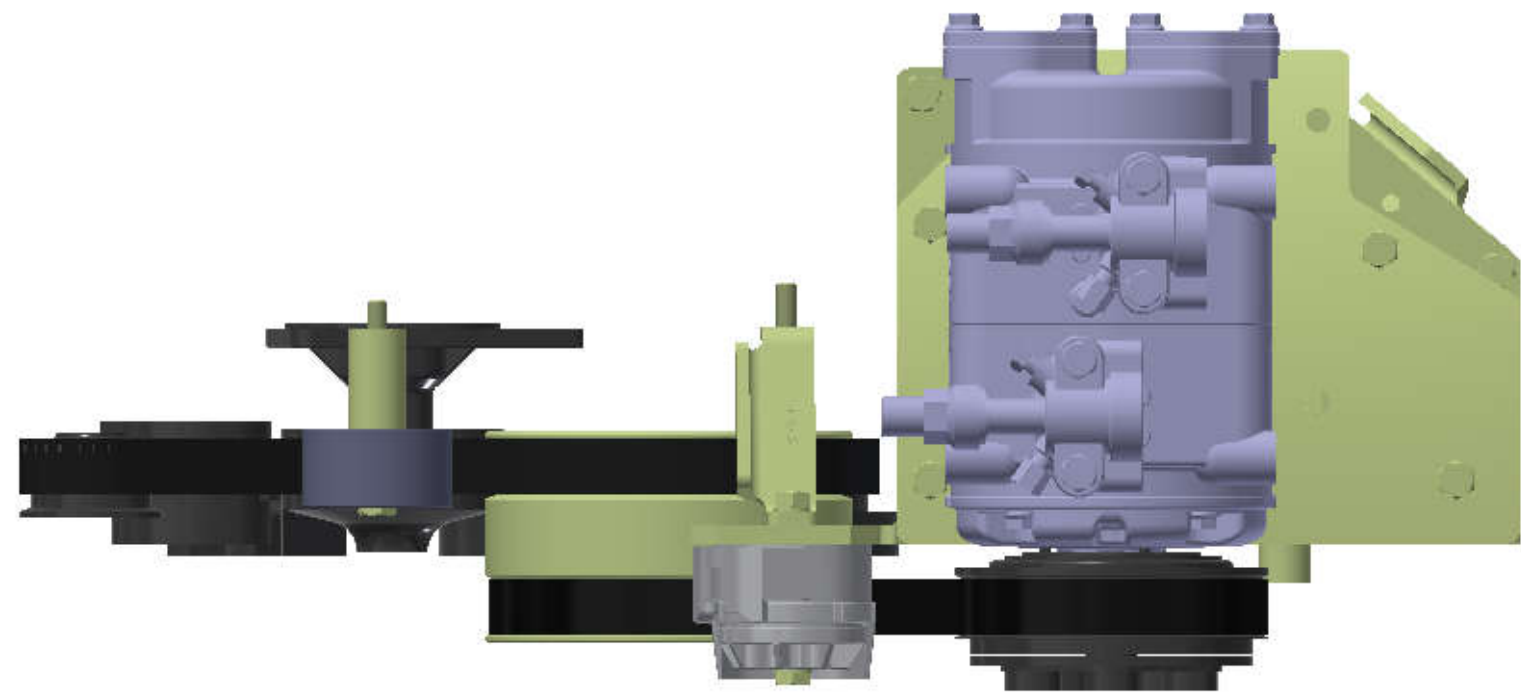
ITEM	QTY	U/M	PART NUMBER	DESCRIPTION
25	13	EACH	WLA10000	WASHER, LOCK, 10mm, 8.8, PLT
24	7	EACH	WFA10000	WASHER, FLAT, 10mm, 8.8, PLT
23	1	EACH	TEN80002	TENR, HD SPRING, BACKSIDE, CCW
22	1	EACH	SLV17010	SLEEVE, PULLEY, 16.90 x 22.23mm x 10.32i
21	1	EACH	SCDS7210	SPACER, COL, DRL, 57.15mm x28.580 x10.32i
20	1	EACH	PUL83088	Pulley, Fan, Add-on, Combo, ISC, 8.3, 8gr
19	2	EACH	PUL80076	PULLEY, IDLER, BACKSIDE, P8, 76D, 39W
18	2	EACH	NFA10000	NUT, HEX, 10 x 1.5, 8.8, PLT
17	1	EACH	CSS10055	CAPSCREW, SH, 12 x 1.25 x 55mm, 12.9, PLT
16	4	EACH	CSF12031	CAPSCREW, FH, 12 x 1.75 x 30mm, 10.9, PLT
15	1	EACH	CSF10041	CAPSCREW, FH, 10 x 1.5 x 40mm, 10.9, PLT
14	1	EACH	BTS10001	BOLT, SHOULDER, 10mm (IDLER PULLEY)
13	1	EACH	BTC10100	BOLT, HEX, 10 x 1.5 x 100mm, 10.9, PLT
12	1	EACH	BTC10090	BOLT, HEX, 10 x 1.5 x 90mm, 10.9, PLT
11	4	EACH	BTC10070	BOLT, HEX, 10 x 1.5 x 70mm, 10.9, PLT
10	1	EACH	BTC10060	BOLT, HEX, 10 x 1.5 x 60mm, 10.9, PLT
9	3	EACH	BTC10040	BOLT, HEX, 10 x 1.5 x 40mm, 10.9, PLT
8	2	EACH	BTC10030	BOLT, HEX, 10 x 1.5 x 30mm, 10.9, PLT
7	4	EACH	BTC10025	BOLT, HEX, 10 x 1.5 x 25mm, 10.9, PLT
6	1	EACH	BMC90040	BKT, WELDMT, ADAPT, PL, TM55/65, '20
5	1	EACH	BMC90039	BKT, MAIN, WELDMT, BB, P8, 20'
4	1	EACH	BMC83046	BKT, BRACE, P/S, 8.3L, 09'
3	1	EACH	BMC83011	BKT, BRACE, RR, TENR, ISC, 8.3L, P8
2	1	EACH	BEL81842	BELT, 8gr, 1842mm (72.5")
1	1	EACH	BEL81461	BELT, 8 GR, 1461mm (57.5") (5080575)

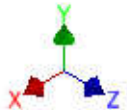
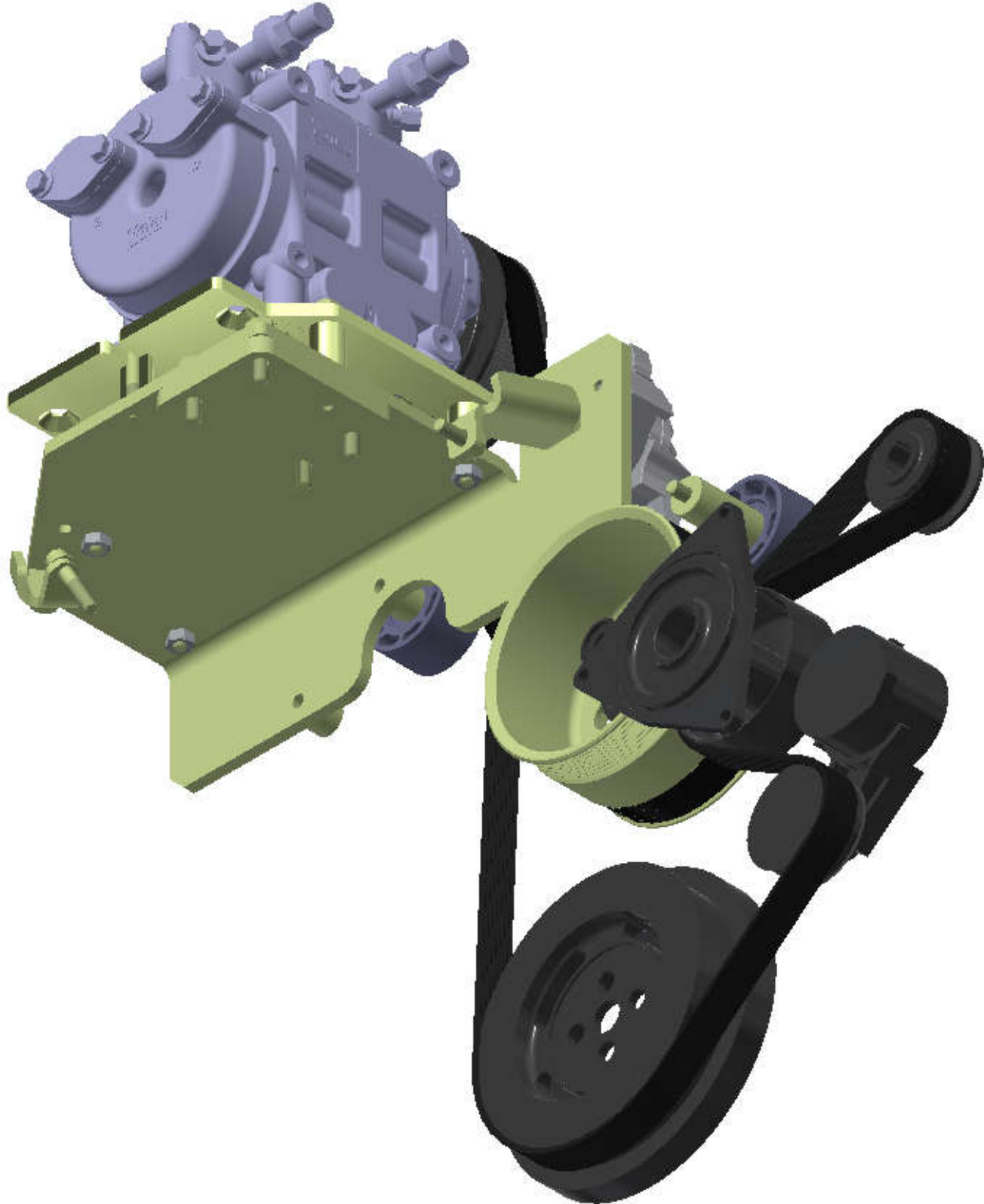
DRAWING				BILL OF MATERIALS	
DRAWN	vjakowlew	7/26/2021	CHECKED	Jose Rodriguez	7/26/2021
REV	0	RELEASED TO PRODUCTION	DATE	7/27/2021	VAL
REV	ECN	DESCRIPTION	DATE	BY	APPROVED
				Jame Stewart	9/10/2020
				MFG	
				Vai Jakowlew	7/26/2021
				Dale Mason	7/26/2021
TITLE				TRANSARC TIC INC.	
DESCRIPTION				MT KIT, ISC/L, A3/D3/T3RE, TM-43, '05-'19+	
SIZE				DWG NO	
D				KMC94363	
SCALE				1:4	
DRAWING UNIT OF MEASURE				MM (INCH)	
THIRD ANGLE PROJECTION				SHEET 1 OF 1	











TransArctic A/C Compressor Mount Installation Disclaimer

All compressor mounts should be installed by qualified and trained personnel using proper tools and equipment in safe working conditions following industry standard guidelines for motor vehicle service and repair.

The installer of any compressor mount purchased from TransArctic must undertake all responsibility of issues arising from that compressor bracket being installed on any vehicle. As well as insure that a **proper and sufficient ground** is established between the compressors' clutches and the vehicle's engine. Mount functionality, operation and durability can all be compromised by an incompetent installation.

Due to the many different situations, parameters and application criteria, which are beyond the compressor mount manufacturer's control, TransArctic does not warrant design, durability, or operational functionality of any compressor mount improperly installed by another party.

With no implied guarantees it is the mount installer's strict responsibility to determine safety and functionality, of the compressor mount, at the time of installation.

Please contact TransArctic with any issue arising from installation so we may better improve the product. If you have any reservations about the compressor mount integrity contact TransArctic immediately at 1-877-COLD-AIR.

Mark OEM tensioner location

Install Kit

Check for Interferences

Check to ensure that the proper OEM tensioner orientation is maintained

Run engine with A/C system engaged for at least 10 minutes to run in belt

Check OEM tensioner orientation and adjust as required

Responsabilidad limitada de TransArctic en la instalación del soporte del compresor

Todos los soportes de los compresores deben ser instalados por personas calificadas y entrenadas, usando para ello los equipos y herramientas necesarios para esta labor en buenas condiciones y según las normas y guías para el servicio y/o reparación de motores de vehículos.

El instalador de los soportes comprados en TransArctic asume toda la responsabilidad de cualquier problema que surja en el soporte del compresor al vehículo; de igual manera es responsable que el cable a tierra sea conectado entre el embrague del compresor y el motor del vehículo.

Se advierte que el buen funcionamiento y la durabilidad del soporte pueden ser comprometidos por defectos en su instalación.

Debido a las diversas situaciones que se puedan presentar fuera del control del fabricante, TransArctic no garantiza el diseño, la durabilidad o el correcto funcionamiento de cualquier equipo inapropiadamente instalado por terceros.

Esta sobreentendido que el Instalador del montaje del compresor es estrictamente responsable de la seguridad y funcionamiento del equipo en el momento de la instalación.

Si tuviera algún problema o duda acerca de la instalación del soporte del compresor pongase en contacto inmediatamente con TransArctic al teléfono 1-877-COLD-AIR de modo que podamos mejorar nuestro producto.

Note la ubicación del medidor de tensión OEM

Instale el equipo

Controlar si hay interferencias.

Asegurese que el medidor de tensión mantenga la orientación justa.

Encienda el motor por lo menos 10 minutos con el sistema A/C enganchado para que la correa corra

Controle la orientación justa del medidor de tensión y ajuste a las condiciones requeridas del fabricante