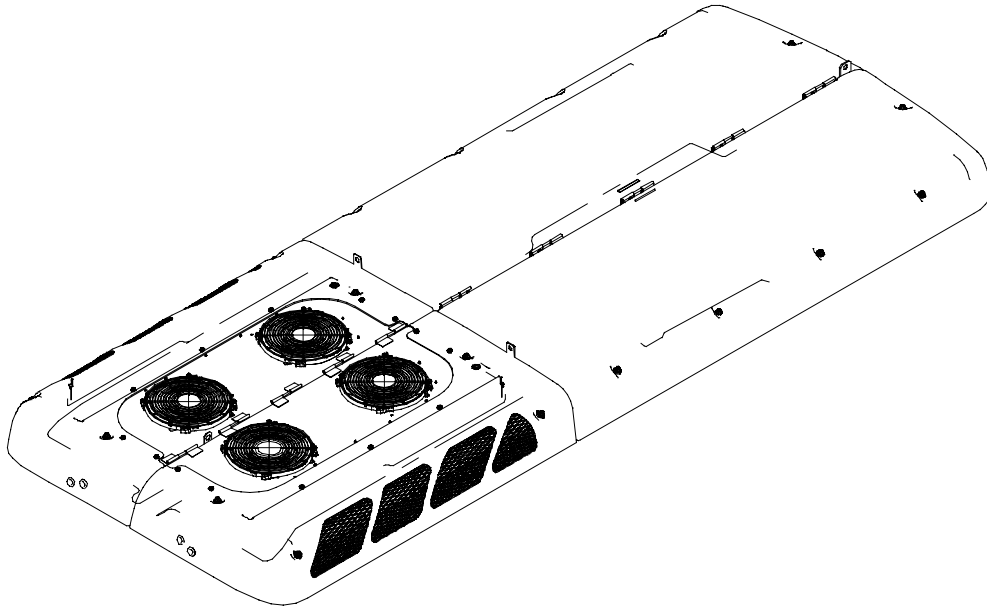




Mobile Climate Control

T-360PL Manual



SERVICE PARTS
for
ECO353N

Models Y50-35301 & Y50-35302

T-360PL

REV. 01/2014



TABLE OF CONTENTS

INTRODUCTION i

CONFIGURATION IDENTIFICATION i

OPTION DESCRIPTION i

ORDERING INSTRUCTIONS ii

GENERAL NOTES ii

1 EVAPORATOR HOUSING KIT 1

 1.1 Evaporator Housing Kit (All Models) 1

 1.2 Evaporator Housing Assembly 2

 1.3 Evaporator Housing Assembly (Continued) 3

2 EVAPORATOR BLOWER KITS 4

 2.1 Evaporator Blower Kit, (6) Permanent Magnet Motors OPTIONS 1 (12V) & OPTION 2 (24V) 4

 2.2 Evaporator Blower Kit, (4) Permanent Magnet Motors OPTIONS 3 (12V) & OPTION 4 (24V) 5

3 EVAPORATOR COIL KIT - 3 ROW W/HEAT (Dual Circuit) OPTION 1 6

4 EVAPORATOR COIL KIT - 4 ROW (Single Circuit) OPTION 2 7

5 LIQUID LINE KITS 8

5.1 LIQUID LINE KIT, SINGLE CIRCUIT (REAR SOLENOID VALVE): OPTION 1 & OPTION 3 ... 8

5.2 LIQUID LINE KIT KIT, DUAL CIRCUIT : OPTION 2 9

6 EVAPORATOR CONNECTION KIT SUCTION 10

 6.1 Evaporator Connection Kit Suction_ (Single Circuit) (Right ORS) OPTION 1 10

 6.2 Evaporator Connection Kit Suction - (Dual Circuit) (Pilot O-Ring) OPTION 2 11

 6.3 Evaporator Connection Kit Discharge (Single Circuit) Right ORS: OPTION 1 12

 6.4 Evaporator Connection Kit Discharge (Dual Circuit) Pilot O-Ring: OPTION 2 13

7 EVAPORATOR HEATING KIT (2 ROW) Dual Circuit OPTION 1 14

8 EVAPORATOR HEATING KIT (2 ROW) Single Circuit OPTION 2 15

9 EVAPORATOR FILTER KIT (STANDARD) 16

10 EVAPORATOR COVER KITS 17

 10.1 Evaporator Cover Kit, Standard (R10M) OPTION 1 17

 10.2 Evaporator Cover Kit, Standard (R6.5M) OPTION 2 18

 10.3 Evaporator Cover Kit, Standard (R3.4M) OPTION 3 19

11 EVAPORATOR ELECTRICAL COMPONENTS 20

 11.1 Evaporator Electrical Components (Single Circuit w/Enviromate) 24VDC: OPTION 1 20

 11.2 Evaporator Electrical Components (Dual Circuit w/Enviromate) 12VDC: OPTION 2 21

 11.3 Evaporator Electrical Components (Single Circuit w/Enviromate) 12VDC: OPTION 3 22

12 EVAPORATOR CONTROL PANELS 23

 12.1 Relay Board/ Harness - Single Circuit w/Enviromate- 24VDC 23

 12.1 Relay Board/Harness - Single Circuit w/Enviromate- 24VDC (Continued) 24

 12.2 Relay Board/ Harness - Dual/Single Circuit w/Enviromate 12VDC 25

 12.1 Relay Board/ Harness - Dual/Single Circuit w/Enviromate 12 VDC (Continued) 26

13 CONDENSER KIT - SINGLE/DUAL CIRCUIT (All Models) 27

14 CONDENSER COVER KIT 28

 14.1 CONDENSER COVER KIT - Option 1 - Skins (Dual Loop) 28

 14.2 CONDENSER COVER KIT - Option 2 - Skins (Single Loop) 29

15 CONDENSER FAN KIT 30

 15.1 Condenser Fan Kit - Option 1 - (4) 12V Motors & Option 3 - (4) 24V Motors 30

 15.2 Condenser Fan Kit - Option 2 - (6) 24V (PM/Brushed Motors) 31



TABLE Of CONTENTS

16 CONDENSER CONNECTION KITS: 32

16.1 CONDENSER CONNECTION KIT: Option 1- Dual Circuit 32

16.1 CONDENSER CONNECTION KIT: Option 1- Dual Circuit (Continued) 33

16.2 CONDENSER CONNECTION KIT: Option 2- Single Circuit (Without Holding Charge Valves) 34

17 CONDENSER ELECTRICAL KIT 35

17.1 Condenser Electrical Kit - Option 1 (w/o ATS Sensor) & Option 2 (w/ ATS Sensor) - 35

18 ENVIROMATE CONTROL PANEL 36



INTRODUCTION

INTRODUCTION

The Mobile Climate Control model Eco353N series units are of lightweight frame construction, designed to be installed on the vehicle roof.

CONFIGURATION IDENTIFICATION

Unit identification information is provided on a plate located inside the condenser and evaporator sections. The plate provides the unit model number, the unit serial number and the unit parts identification number (PID). The model number identifies the overall unit configuration while the PID provides information on specific optional equipment and differences in detailed parts.

The following paragraph provides descriptions of the options provided. A tabular listing of unit model numbers and PID numbers, used to assist the reader in identifying the equipment supplied and any required service parts, is provided in Table 1-2.

OPTION DESCRIPTION

Various options may be factory or field equipped to the base unit. These options are listed in Table 1-1 and described in the following subparagraphs.

Condenser Cover (Skins)

The condenser section may be fitted with one of two different cover assemblies dependent upon the curvature of the bus roof. The assemblies available are identified as the 10 M, 6.5M and 3.4M radius covers.

Condenser/Evaporator Electrical Kit

The Eco353N systems are available with either 12 Volt permanent magnet motors in the dual loop circuits or 24 Volt brush or brushless motors in the single loop circuit.

Condenser Refrigerant Kit

The Eco353N condensers are all fitted with a condenser coil, a receiver with sight glasses and fusible plug, a charge isolation valve and interconnecting tubing.

Evaporator Cover (Skins)

The evaporator section may be fitted with one of two different cover assemblies dependent upon the curvature of the bus roof. The assemblies available are identified as the 10 M, 6.5M and 3.4M radius covers.

Evaporator Blower Kit

The Eco353N evaporator kits are available with either 4 or 6 blowers, with either permanent magnet or brushless motors.

Evaporator Connection Kit S/D

The evaporator units are assembled to allow orientation of the connections for different mounting arrangements and may be supplied with various refrigerant piping layouts for specific applications.

Evaporator Connection Kit - Indash

The evaporator units are assembled to allow connections for various refrigerant piping layouts for remote evaporators.

Evaporator Connection Kit - Heating

The evaporator units are assembled to allow various engine coolant piping layouts for specific heating applications.

Air Exchange Kit

The unit can be fitted with a fresh air exchange assembly or an air exchange blank off plate. Fresh air exchange assemblies may be of the 25%.

Controller Kit

The Enviormate Controller operates the system through one of two relay board options.



ORDERING INSTRUCTIONS

All orders and inquiries for parts must include: Unit Serial Number, Part No., PID number, description of part as shown on list and quantity required. Parts can be ordered by going to the following Website:

www.mcc-hvac.com

GENERAL NOTES

To find replacement parts, determine major group in which replacement part is located. Consult table of contents for the appropriate page for the illustrated breakdown of the replacement part. If options are listed for the group in which the part is located, consult Table 1-2 to identify the option for your unit.

The following letter designations are used to classify parts throughout this list.

A/R *As Required*

NSA *Not Stock Assembly* - Order components listed under the assembly.

NSI *Not Stock Item* - Item may not be available or require extended lead time to acquire.

NSS *Not Sold Separately* - Order next higher assembly or kit.

P-- *Suffix P--* added to part number means part is available in packaged quantity only.

PL *Purchase Locally.*

SST *Stainless Steel* - 300 Series unless otherwise specified.

SV *Suffix SV* added to part number designates service replacement part.

NS *Not Shown* on illustration.



Table 1-1 Option Legend

OPTION	DESCRIPTION
Condenser Skins Kit	
1	Covers, Dual Circuits
2	Covers, Single Circuits
Condenser Electrical Kit	
1	Condenser Electrical Kit - PM/Brushed Motors - Weatherpac (No ATS Sensor)
2	Condenser Electrical Kit - PM/Brushed Motors -Weatherpac (with ATS Sensor)
Condenser Fan Kit	
1	12 Volt With 4 PM Motors
2	24 Volt With 6 PM Motors
3	24 Volt With 4 PM Motors
Evaporator Skins Kit	
1	Cover (R10M)
2	Cover (R6.5M)
3	Cover (R3.4M)
Evaporator Blower Kit	
1	12 Volt With 6 Brushed Motors
2	24 Volt With 6 Brushed Motors
3	12 Volt With 4 Brushed Motors
4	24 Volt With 4 Brushed Motors

OPTION	DESCRIPTION
Evaporator Refrigerant Kit	
1	3 Row Coil Refrigeration Kit/With Heat
2	4 Row Coil Refrigeration Kit/No Heat
Liquid Line Kit	
1	Single Circuit, Rear Solenoid Valve, 24VDC
2	Dual Circuit
3	Single Circuit, Rear Solenoid Valve, 12VDC
Evaporator Connection Kit -Suction/Discharge	
1	Dual Circuit-Pilot O-Ring
2	Right - ORS
Condenser Connection Kit - Discharge	
1	Dual Circuit-Pilot O-Ring
2	Single Circuit (Without Holding Charge Valves)
Heater Kit	
1	Dual Circuit
2	Single Circuit
Electrical Kit	
1	Enviromate 24 Volt Single Circuit
2	Enviromate 12 Volt Dual Circuit
3	Enviromate 12 Volt Single Circuit



Table 1-2 Option Table (Single Loop)

MODEL Eco353N Y50-35301	PID Condenser Y50-35301	PID Evaporator Y50-35301	Condenser Cover/Skins Kit	Condenser Electrical Kit	Condenser Fan Kit	Condenser Connection Kit	Evaporator Cover/Skins Kit	Evaporator Blower Kit	Evaporator Coil Kit	Evaporator Connection Kit S/D	Liquid Line Kit	Condenser Refrigeration Kit	Heater Coil Kit	Electrical Kit
-02	-52	-77	3	2	2	2	1	2	2	1	1	2	-	1
-03	-53	-78	4	2	2	2	2	2	2	1	1	2	-	1
-04	-54	-79	5	2	2	2	3	2	2	1	1	2	-	1
-05	-55	-80	3	2	2	2	1	2	2	1	1	2	2	1
-06	-56	-81	5	1	1	2	3	3	2	1	3	2	-	3
-07	-57	-82	5	2	2	2	3	2	2	1	1	2	-	1
-08	-58	-83	3	2	3	2	1	2	2	1	1	2	-	1
-09	-59	-84	3	2	3	2	1	4	2	1	1	2	-	1
-10	-60	-85	5	2	2	2	3	2	2	1	1	2	2	1
-11	-61	-86	5	2	2	2	3	2	2	1	1	2	2	1

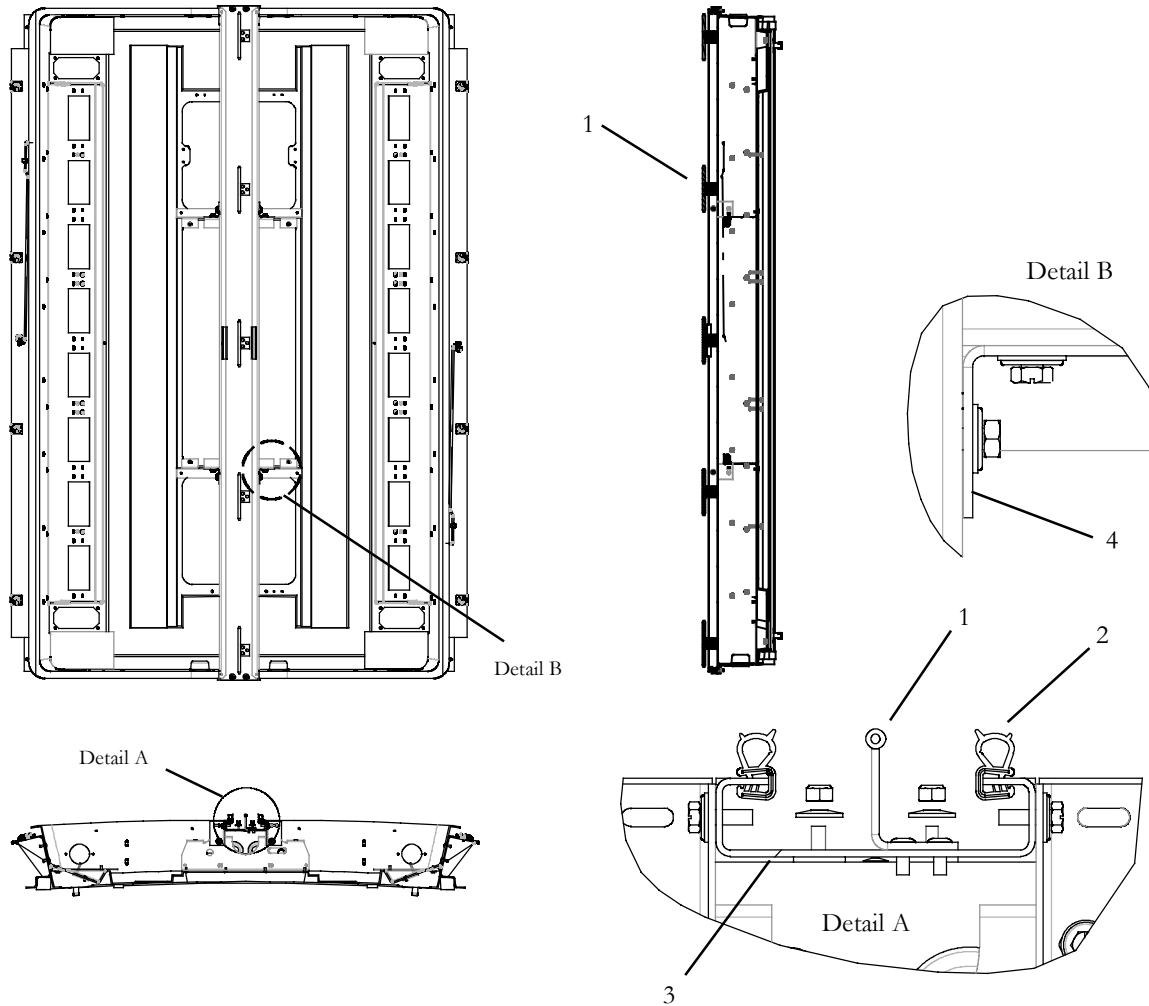
Table 1-3 Option Table (Dual Loop)

MODEL Eco353N Y50-35302	PID Condenser Y50-35302	PID Evaporator Y50-35302	Condenser Cover/Skins Kit	Condenser Electrical Kit	Condenser Fan Kit	Condenser Connection Kit	Evaporator Cover/Skins Kit	Evaporator Blower Kit	Evaporator Coil Kit	Evaporator Connection Kit S/D	Liquid Line Kit	Evaporator Refrigeration Kit	Heater Coil Kit	Electrical Kit
-00	-50	-75	1	1	1	1	1	1	1	2	2	1	-	2
-01	-51	-76	2	1	1	1	2	1	1	2	2	1	1	2
-02	-52	-77	1	1	1	1	1	3	1	2	2	1	-	2



1 EVAPORATOR HOUSING KIT

1.1 Evaporator Housing Kit (All Models Regardless of Radius)

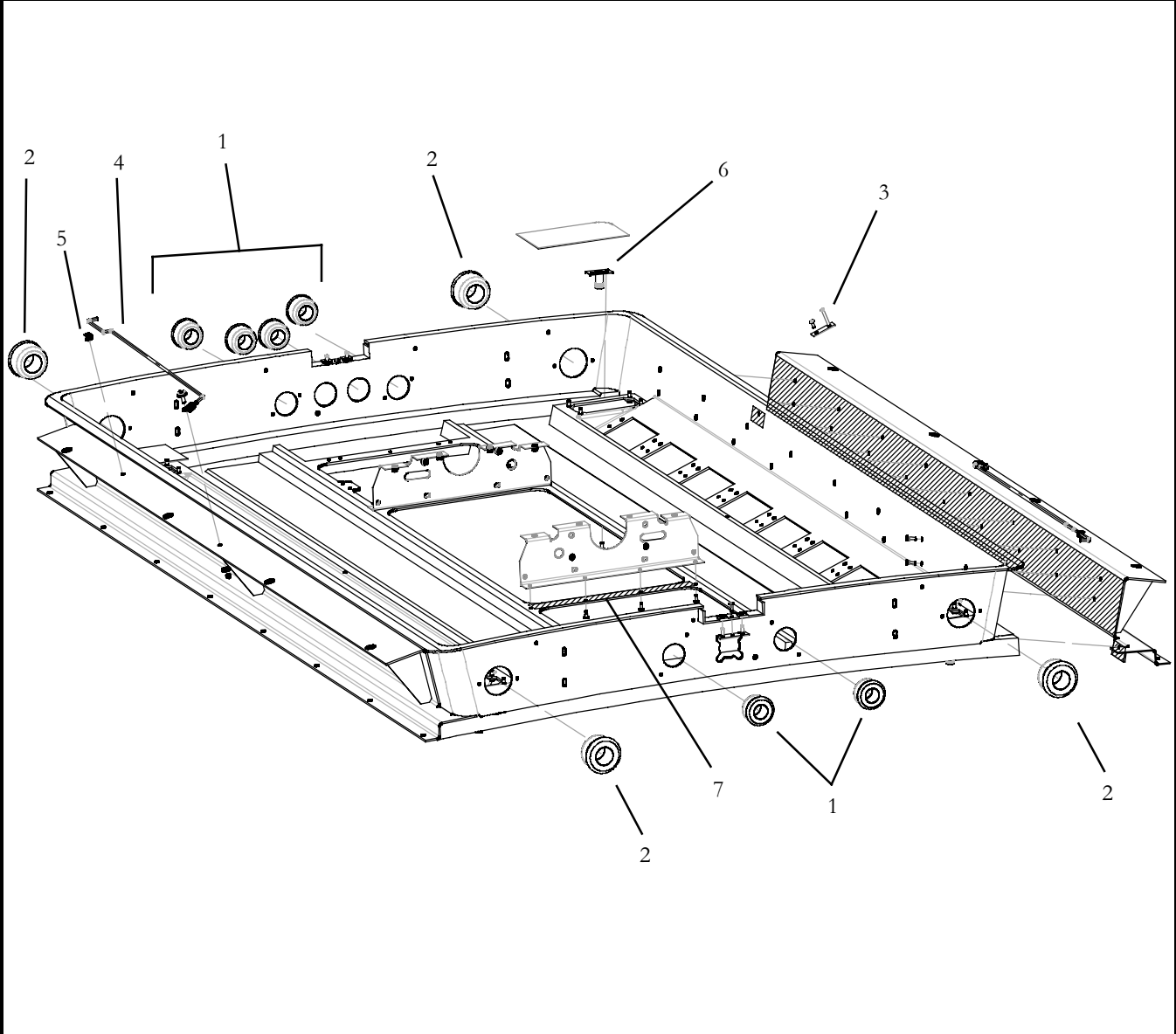


REF: Y19-35304-01

Item	Part Number	Description	Qty
-	NSI	Housing Assembly, Evaporator, See Section 1.2	1
1	86-67036-00	Hinge, Double Pin	5
2	42-67040-01	Gasket	2
3	NSI	Sikaflex 252 (Reference Only)	A/R
4	86-62597-00	Bracket Assembly, Control Panel Support	2



1.2 Evaporator Housing Assembly

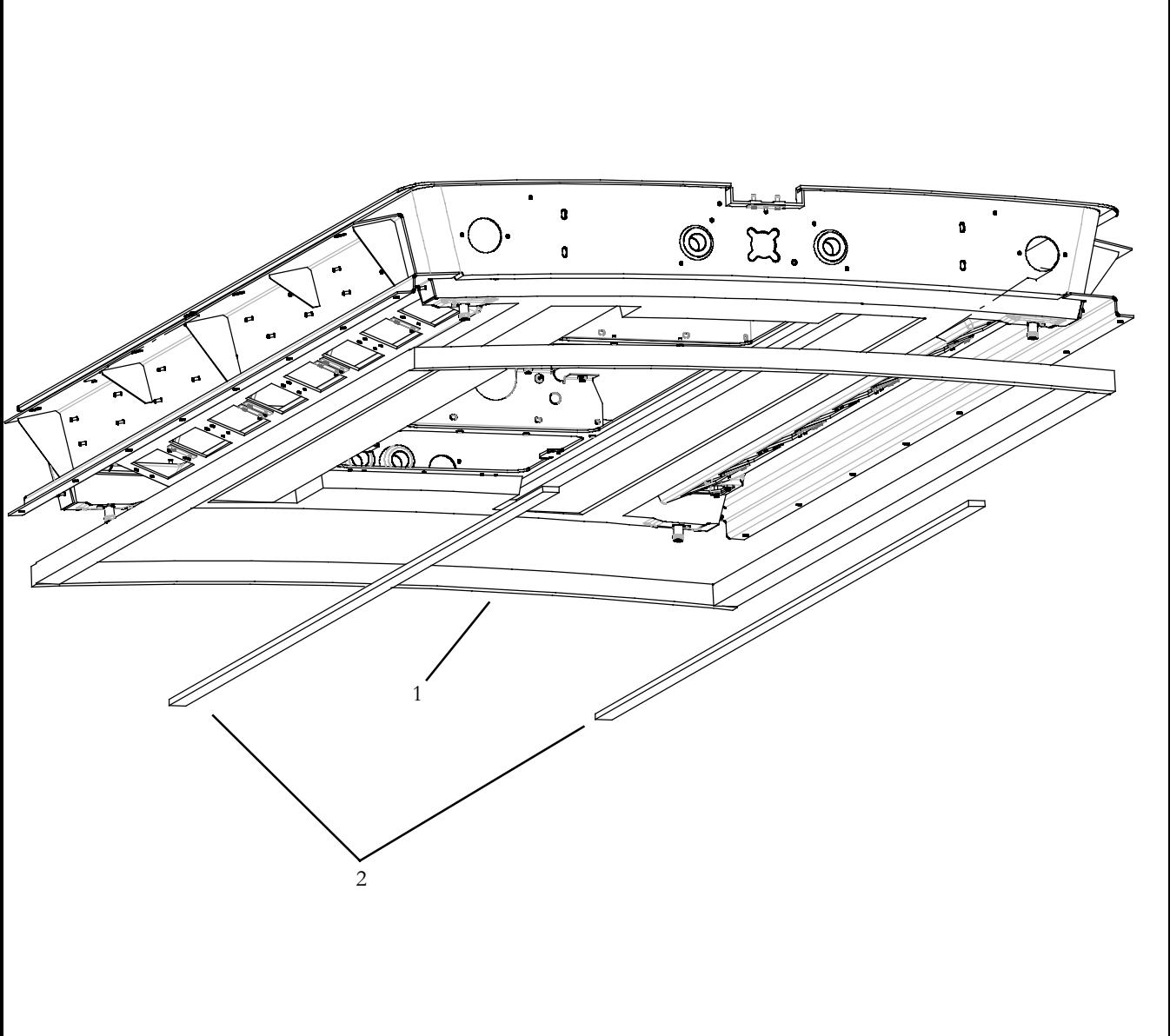


REF: Y28-00013-01

Item	Part Number	Description	Qty
-	NSI	Housing Assembly - Includes:	1
1	58-60298-05	Grommet, 1.89" ID x 1.38" thru x 0.16" G	6
2	58-60302-08	Grommet, 1.89" ID x 2.36" thru x 0.10" G	4
3	67-67013-00	Support	12
4	Y24-00089-00	Prop Rod	2
5	Y39-00006-00	Rod Clip, 6mm	2
6	Y47-00000-00	Drain	4
7	NSI	Caulk, Sikaflex 252 (Reference Only)	A/R



1.3 Evaporator Housing Assembly (Continued)



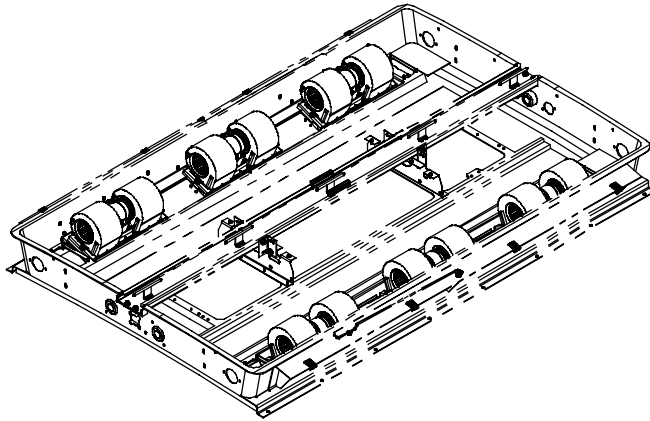
REF: Y28-00013-01

Item	Part Number	Description	Qty
-	NSI	Housing Assembly - Includes:	1
1	Y38-00001	Gasket, Base Assembly	1
2	42-67009-06	Gasket	2

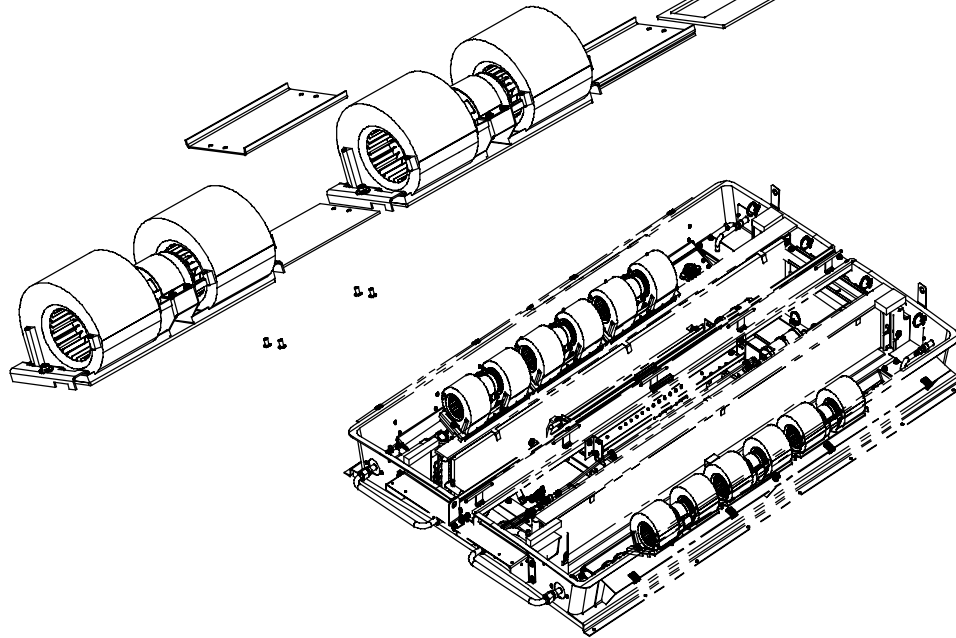
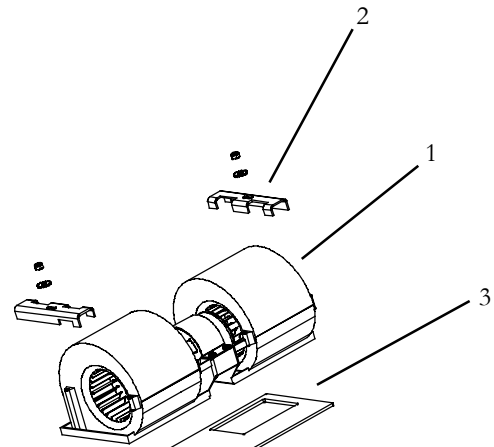


2 EVAPORATOR BLOWER KITS

2.1 Evaporator Blower Kit, (6) Permanent Magnet Motors OPTIONS 1 (12V) & OPTION 2 (24V)



Single Loop Layout



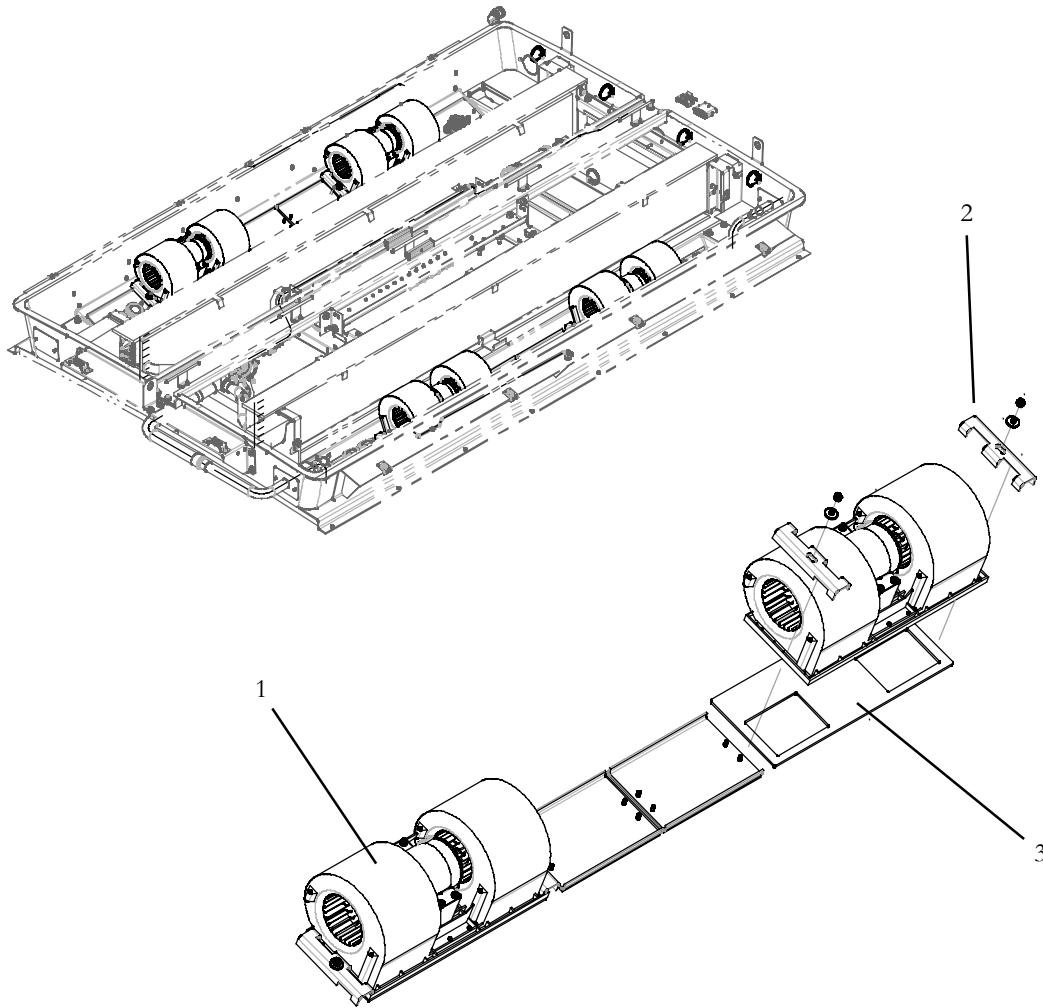
Dual Loop Layout

REF: Y19-35305-02 & 03

Item	Part Number	Description	Qty
1	15-15056	Blower Assembly, Double Radial 24V (Option 2)	6
	15-15015	Blower Assembly, Double Radial 12V (Option 1)	6
2	68-62967-00	Bracket, Blower Motor	12
3	Y38-00012-00	Gasket, Double Radial Blower	6



2.2 Evaporator Blower Kit, (4) Permanent Magnet Motors OPTIONS 3 (12V) & OPTION 4 (24V)

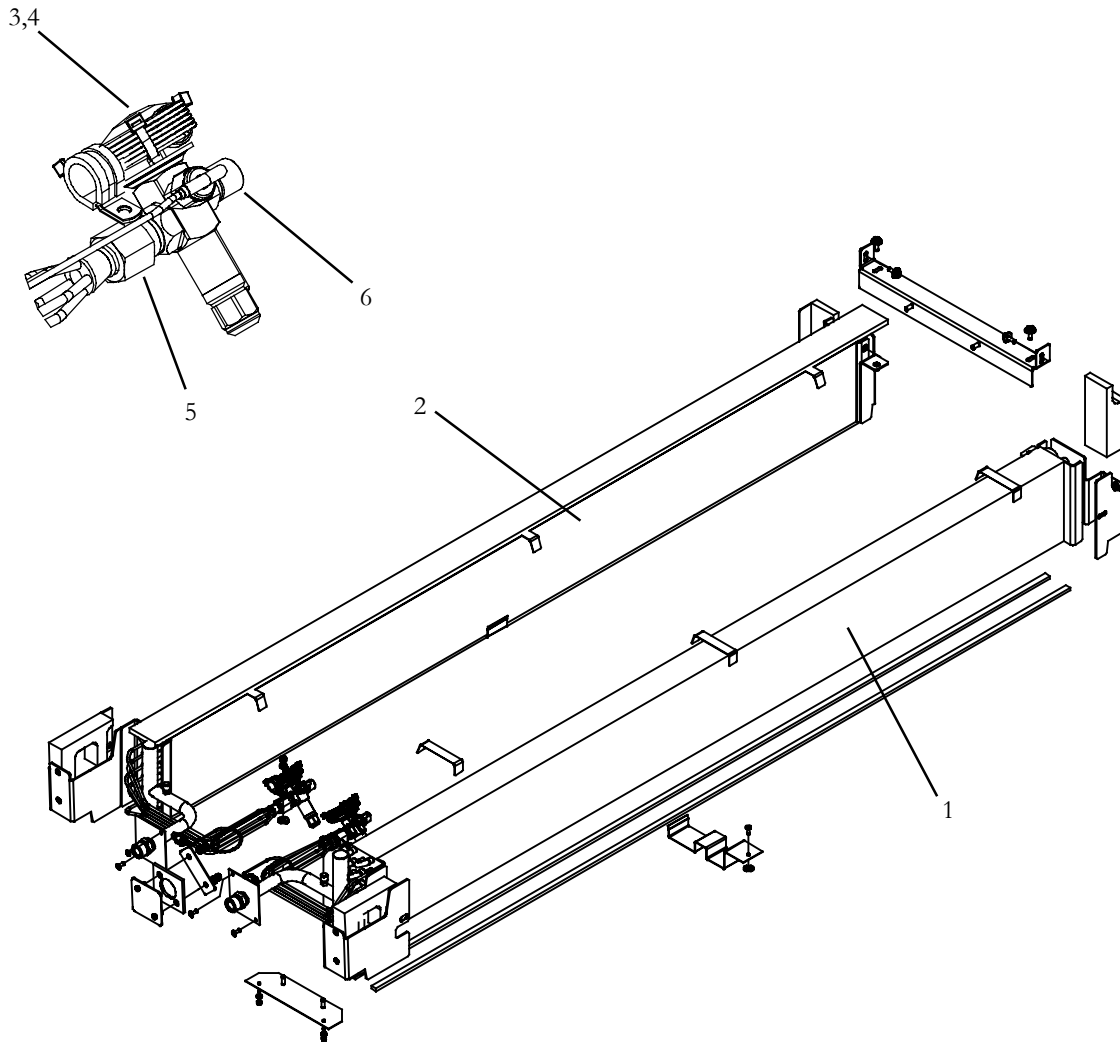


REF: Y19-35305-04 & -05

Item	Part Number	Description	Qty
1	15-15056	Blower Assembly, Double Radial 24V (Option 4)	4
	15-15015	Blower Assembly, Double Radial 12V (Option 3)	4
2	68-62967-00	Bracket, Blower Motor	8
3	Y38-00012-00	Gasket, Double Radial Blower	4



3 EVAPORATOR COIL KIT - 3 ROW W/HEAT (Dual Circuit) OPTION 1



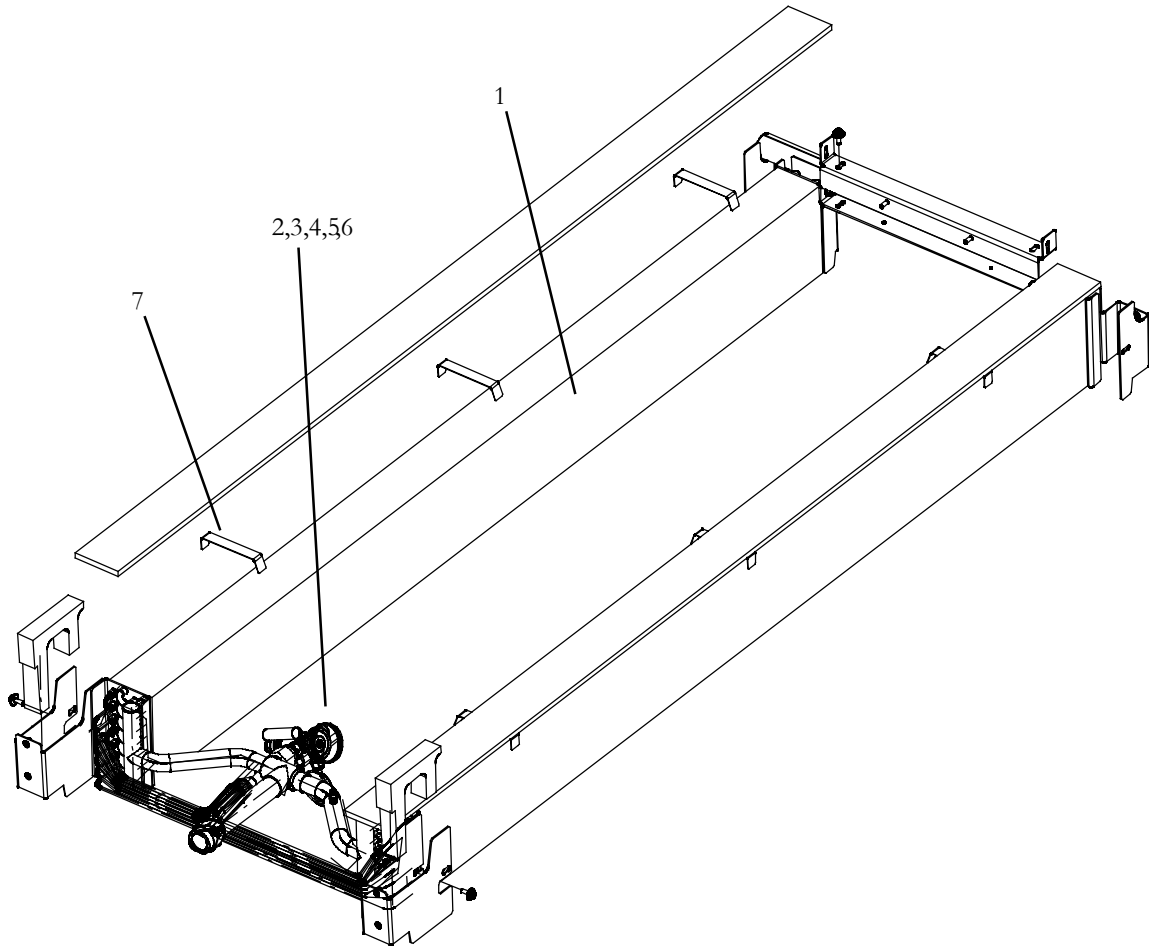
Note: Replacement parts are the same for units with and without heat option

REF: Y19-35311-00 & -01

Item	Part Number	Description	Qty
1	21-1978-00	Coil Assembly, Evaporator, Dual Loop Right	1
2	21-1978-01	Coil Assembly, Evaporator, Dual Loop Left	1
3	Y26-00033-00	Valve Assembly, TXV	2
4	42-00032-00	Insulation, Prestite (Reference Only)	A/R
5	42-00243-04	O-Ring, .489 I.D. X .07 THK	2
6	42-00243-09	O-Ring, .364 I.D. X .07 THK	2
7	68-67260-02	Bracket, Filter	6



4 EVAPORATOR COIL KIT - 4 ROW (Single Circuit) OPTION 2



Note: Replacement parts are the same for units with and without heat option

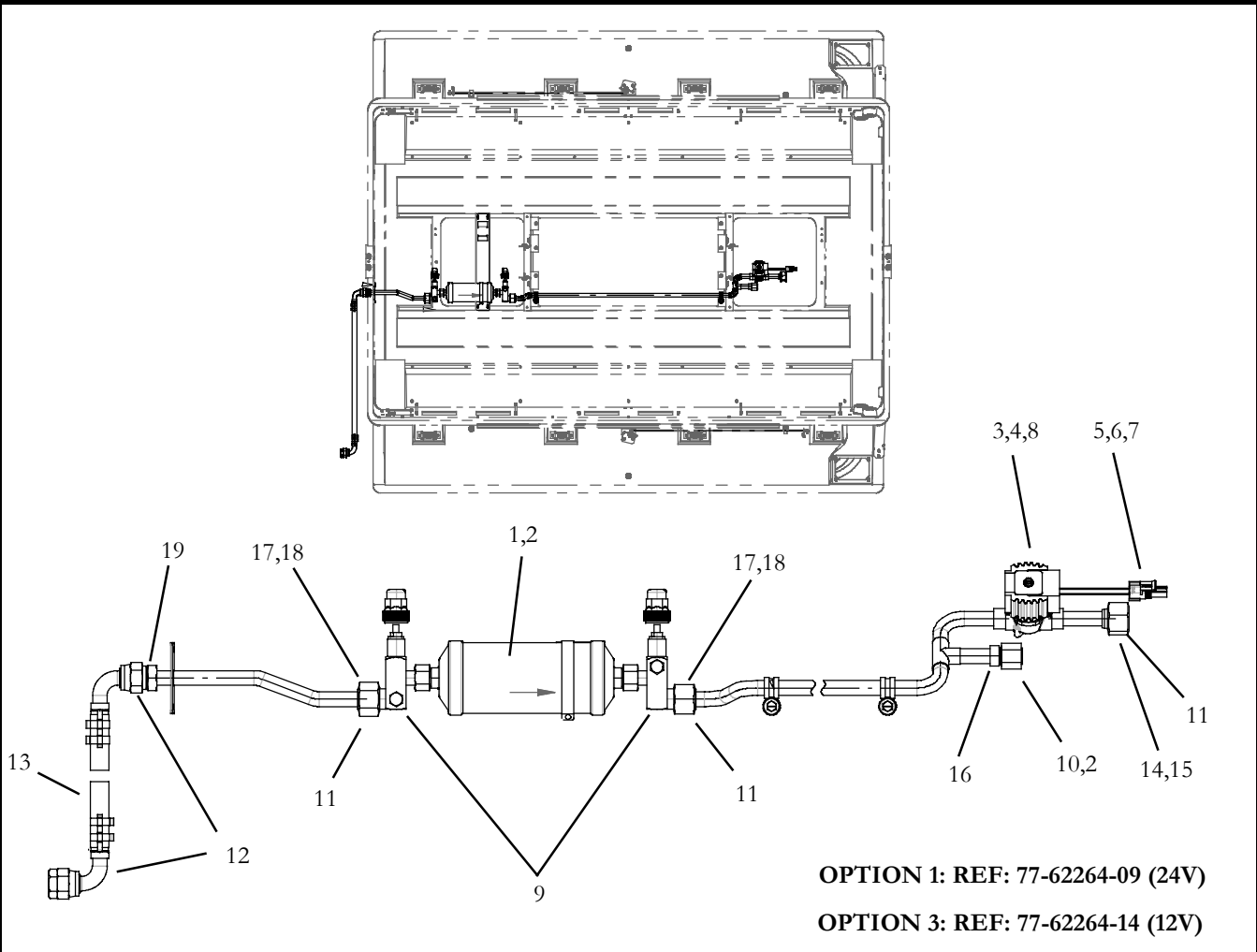
REF: 77-00324-00 & -06

Item	Part Number	Description	Qty
1	08-67022-00	Coil Assembly, Evaporator, 4 Rows (Both Coils w/Common Header)	1
2	Y26-00033-03	Valve Assembly, TXV (TGEN 12)	1
3	42-00032-00	Insulation, Prestite (Reference Only)	1
4	42-00243-03	O-Ring, 1.046 I.D. X .07 THK	1
5	42-00243-11	O-Ring, .739 I.D. X .07 THK	1
6	42-62177-00	Ring Seal, 1/4" Tube	1
7	68-67260-01	Bracket, Filter	6



5 LIQUID LINE KITS

5.1 LIQUID LINE KIT, SINGLE CIRCUIT (REAR SOLENOID VALVE): OPTION 1 & OPTION 3



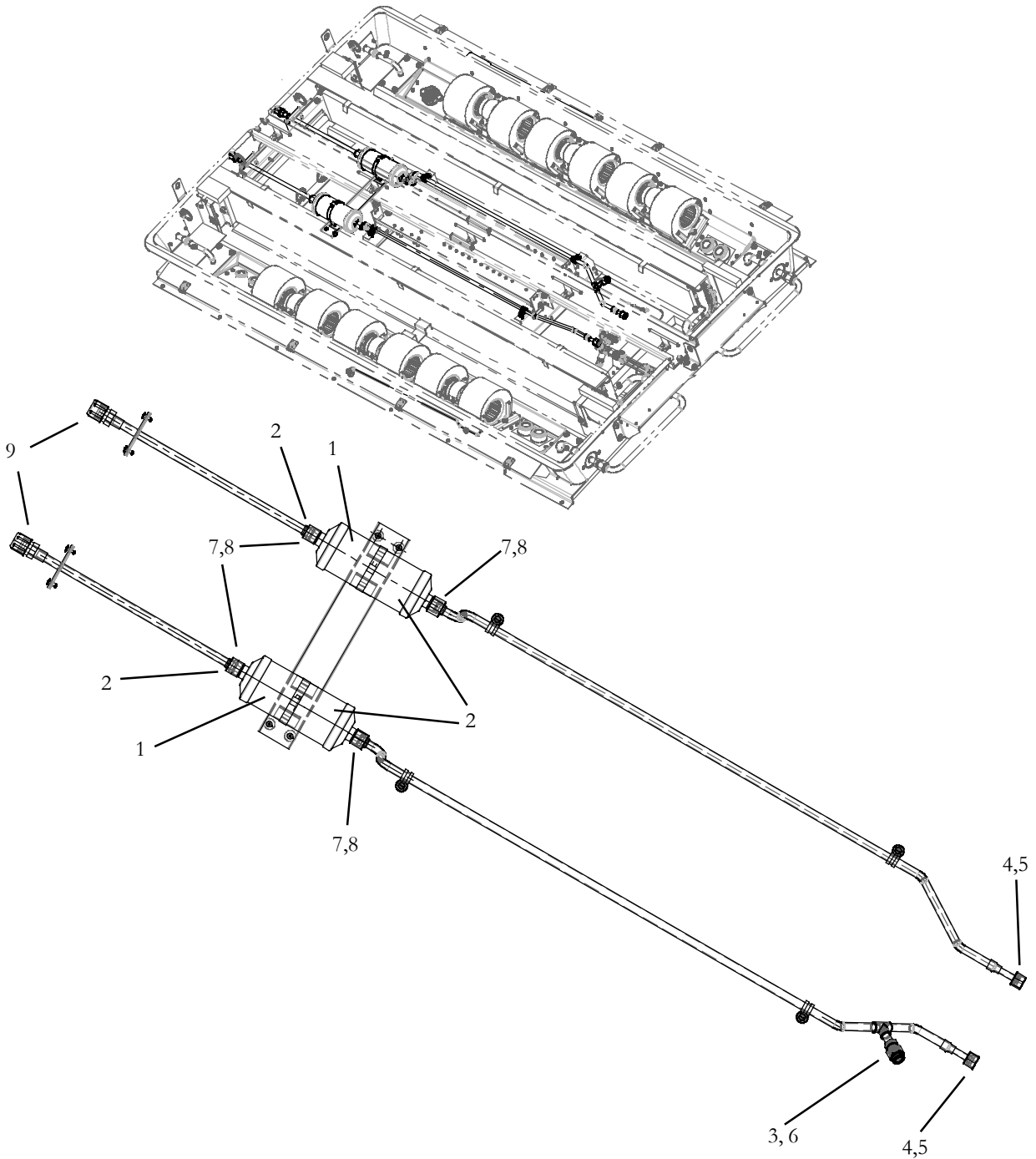
Item	Part Number	Description	Qty
1	14-00326-05	Drier, Filter, 1/2 ORS - Includes:	1
2	42-00243-04	O-Ring, 0.489 ID x 0.070 Thick	3
3	14-00236-00	Valve, Solenoid, 5/8 ODF X 7/8 ODM, (Normally Closed) Includes: (24VDC)	1
	14-00236-02	Valve, Solenoid, 5/8 ODF X 7/8 ODM, (Normally Closed) Includes: (12VDC)	1
4	14-00236-50	Coil, Solenoid, 24VDC	1
	14-00236-54	Coil, Solenoid, 12VDC	1
5	22-01585-00	Connector, Male, 2 Way Weatherpac, Needed For 12VDC Solenoid Coil Only	1
6	22-02393-01	Terminal, Male, 18-22 AWG, Needed For 12VDC Solenoid Coil Only	2
7	22-02394-02	Cable Seal, Needed For 12VDC Solenoid Coil Only	2
8	14-00236-51	Solenoid Valve Repair Kit (24VDC & 12VDC)	1
9	14-00343-01	Valve, Service, 1/2 ORSF Inlet x 5/8 ORSF Outlet	2
10	40-60010-03	ORS Female Plug	1
11	42-00243-03	O-Ring, 0.614 ID x 0.070 Thick	2
12	40-64094-50	Fitting Kit, 90° #10 Female ORS X #10 FlexCLIK Hose	2
13	58-64105-XX	#10 FlexCLIK Hose	A/R



5.1 LIQUID LINE KIT, SINGLE CIRCUIT (REAR SOLENOID VALVE): OPTION 1 & OPTION 3: Con't			
Item	Part Number	Description	Qty
14	40-60008-04	Collar, ORS #10 X 5/8" OD Tube	1
15	40-60009-04	Swivel Nut, #10 X 5/8" OD Tube	1
16	40-60145-00	Fitting, ORFS Solder X 13/16" - 16	1
17	40-00503-03	Collar, Solder Brass	2
18	40-60009-04	Swivel Nut	2
19	40-00491-09	Fitting, ORS Solder X 1" - 14	1



5.2 LIQUID LINE KIT KIT, DUAL CIRCUIT : OPTION 2



REF: Y19-35312-00

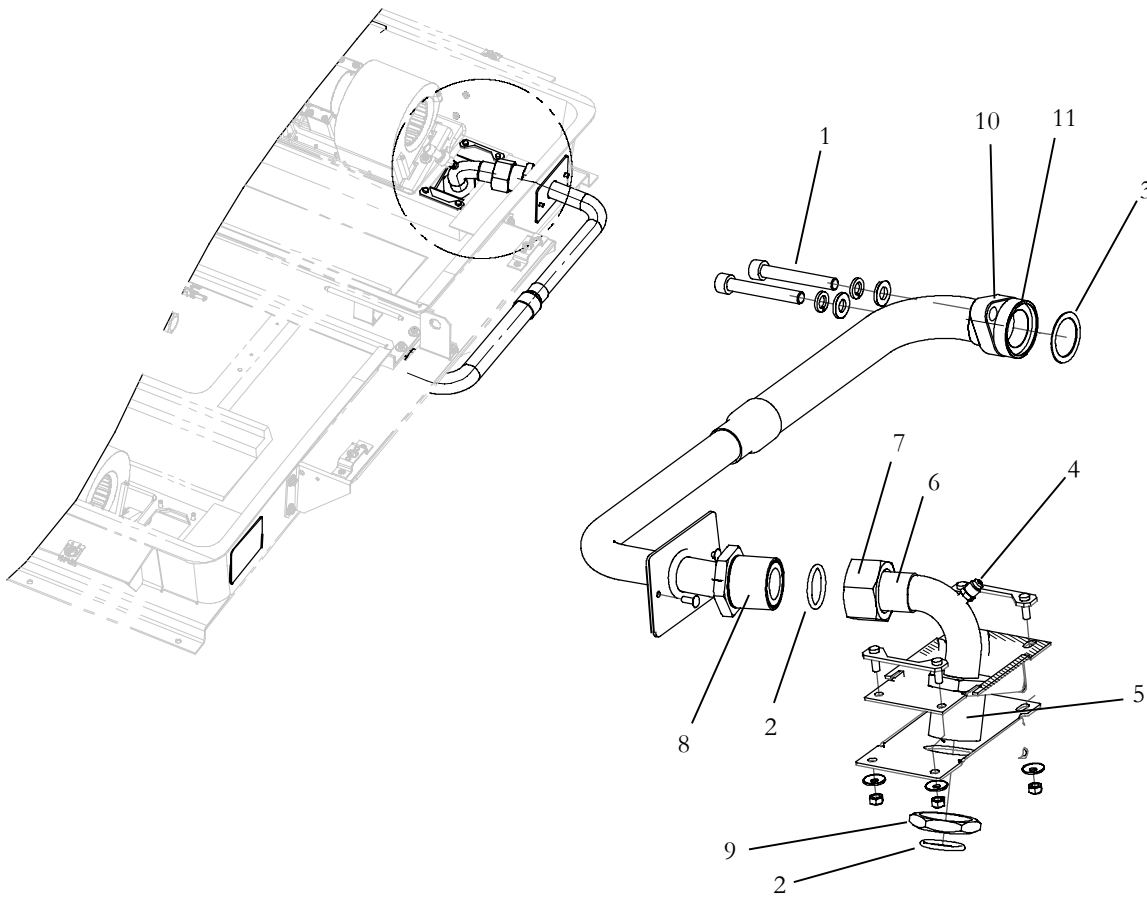


5.3 LIQUID LINE KIT KIT, DUAL CIRCUIT : OPTION 2 : Continued			
Item	Part Number	Description	Qty
1	14-00326-05	Drier, Filter, 1/2 ORS - Includes:	2
2	42-00243-04	O-Ring, 0.489 ID x 0.070 Thick	4
3	40-62129-00	Plug Female, #8 Block Off (W/O-Ring)	1
4	40-00503-06	Collar, Brass	2
5	34-06121-06	Swivel Nut	2
6	40-60007-03	Fitting, Solder x ORFS	1
7	40-60008-03	Collar, Solder	3
8	40-60009-03	Swivel Nut	3
9	40-62032-01	Fitting, Male Insert O-Ring	2



6 EVAPORATOR CONNECTION KIT SUCTION

6.1 Evaporator Connection Kit Suction_ (Single Circuit) (Right ORS) OPTION 1

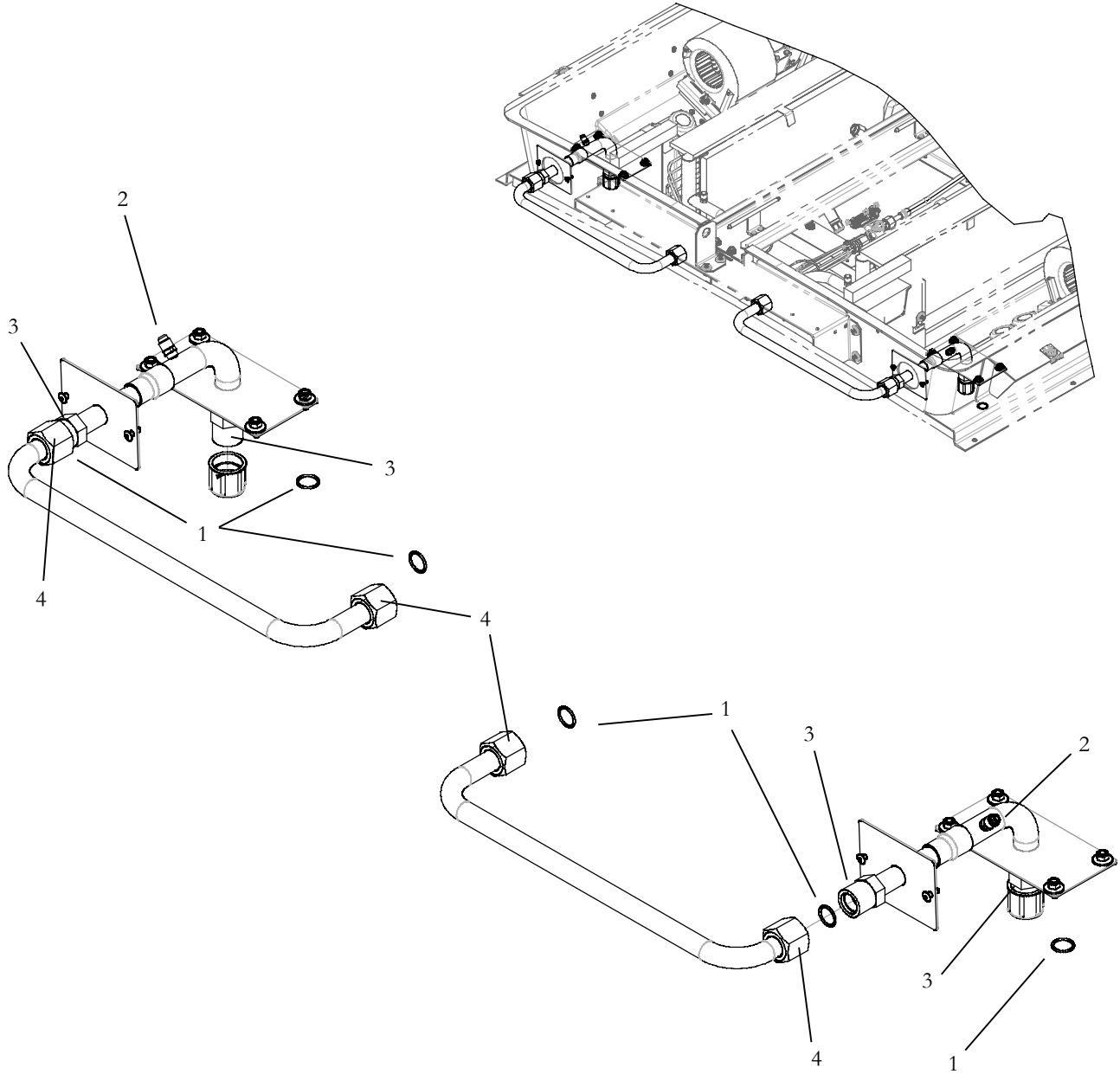


REF: Y19-35306-03

Item	Part Number	Description	Qty
1	34-06062-70	Cap Screw, Socket Head, M10 X 1.5	2
2	42-00243-01	O-Ring, 1.171 I.D. X .139 THK	2
3	42-62164-00	Gasket	1
4	14-00351-00	Core, Schrader	1
5	40-00491-08	Fitting, ORS 1-11/16" -12	1
6	40-00503-01	Collar, Brass	1
7	34-06121-01	Swivel Nut	1
8	40-00491-01	Fitting, ORS 1-11/16" -12 X 1.70"	1
9	34-06088-01	Nut, ORS Refrigerant Connector	1
10	40-00590-03	Flange	1
11	40-67004-00	Fitting, ORS x Solder	1



6.2 Evaporator Connection Kit Suction - (Dual Circuit) (Pilot O-Ring) OPTION 2

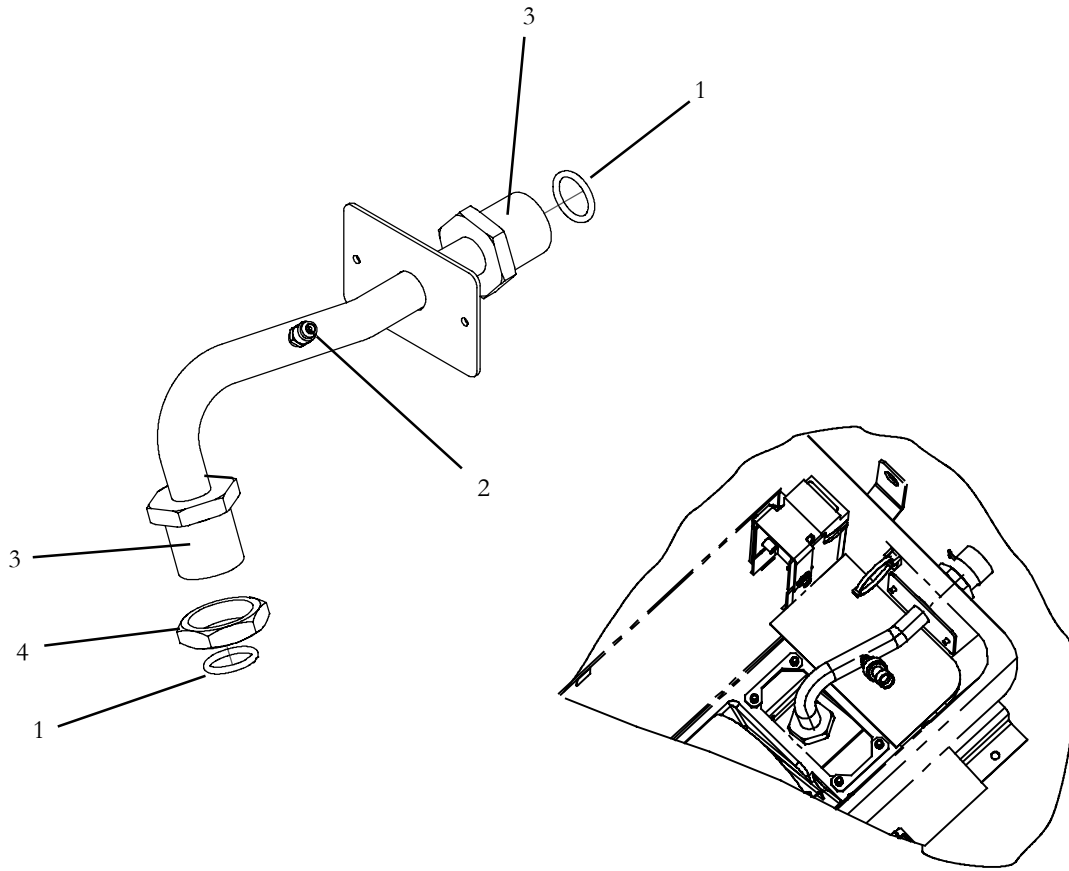


REF: Y19-35306-02

Item	Part Number	Description	Qty
1	AC801-217	O-Ring, .676 I.D. X .07 THK	6
2	14-00351-00	Core, Schrader	2
3	40-62032-00	Fitting, Swivel, Male Insert O-Ring	4
4	40-67014-03	Nut, Hex, O-Ring Pilot	4



6.3 Condenser Connection Kit, Discharge (Single Circuit) Right ORS: OPTION 1

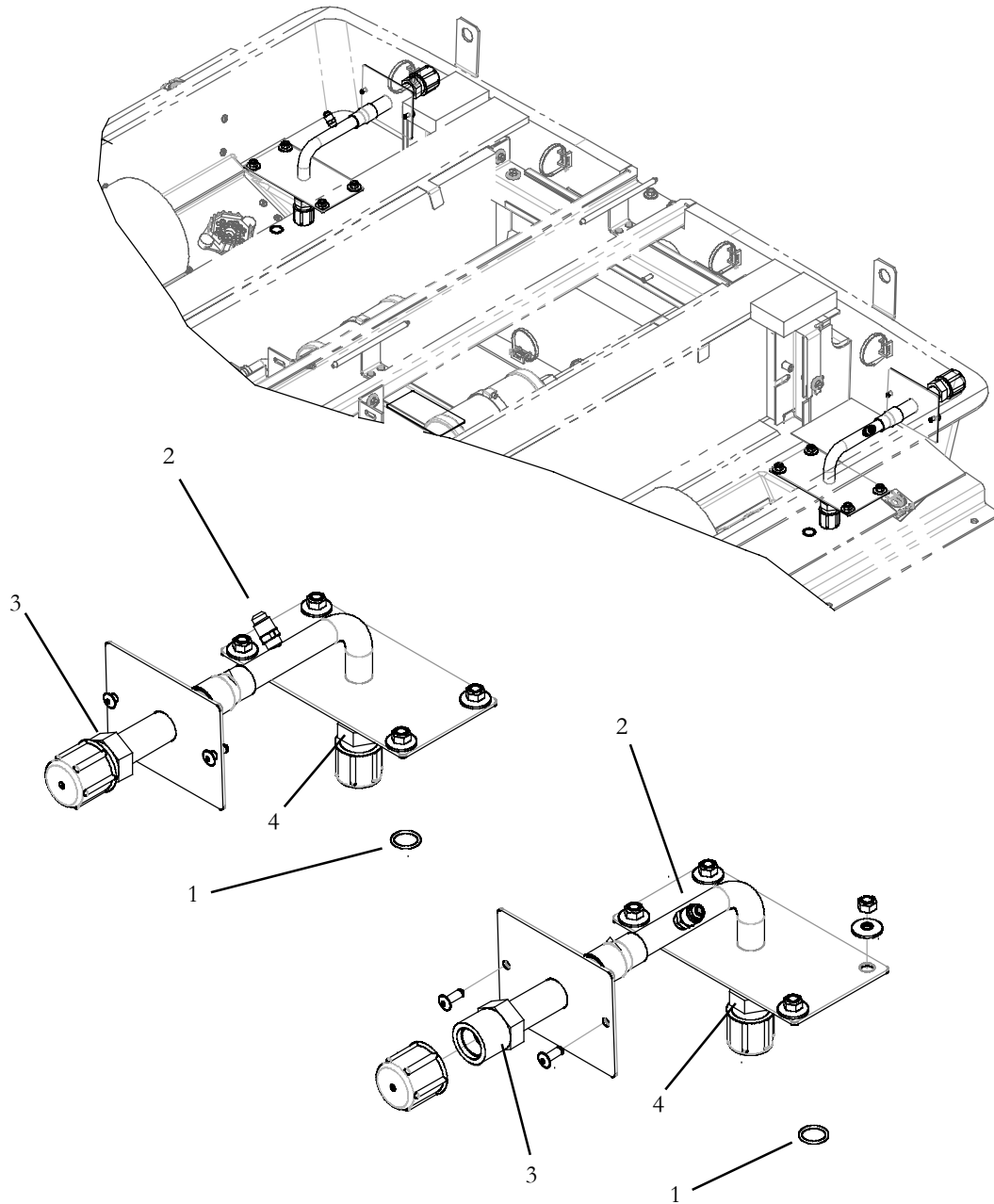


REF: Y19-35316-03

Item	Part Number	Description	Qty
1	42-00243-00	O-Ring, .921 I.D. X .139 THK	2
2	14-00351-00	Core, Schrader	1
3	40-00491-00	Fitting, ORS, 1-7/16" - 12 X 7/8" ODF	2
4	34-06088-00	Nut, ORS Refrigerant Connector	1



6.4 Evaporator Connection Kit Discharge (Dual Circuit) Pilot O-Ring: OPTION 2

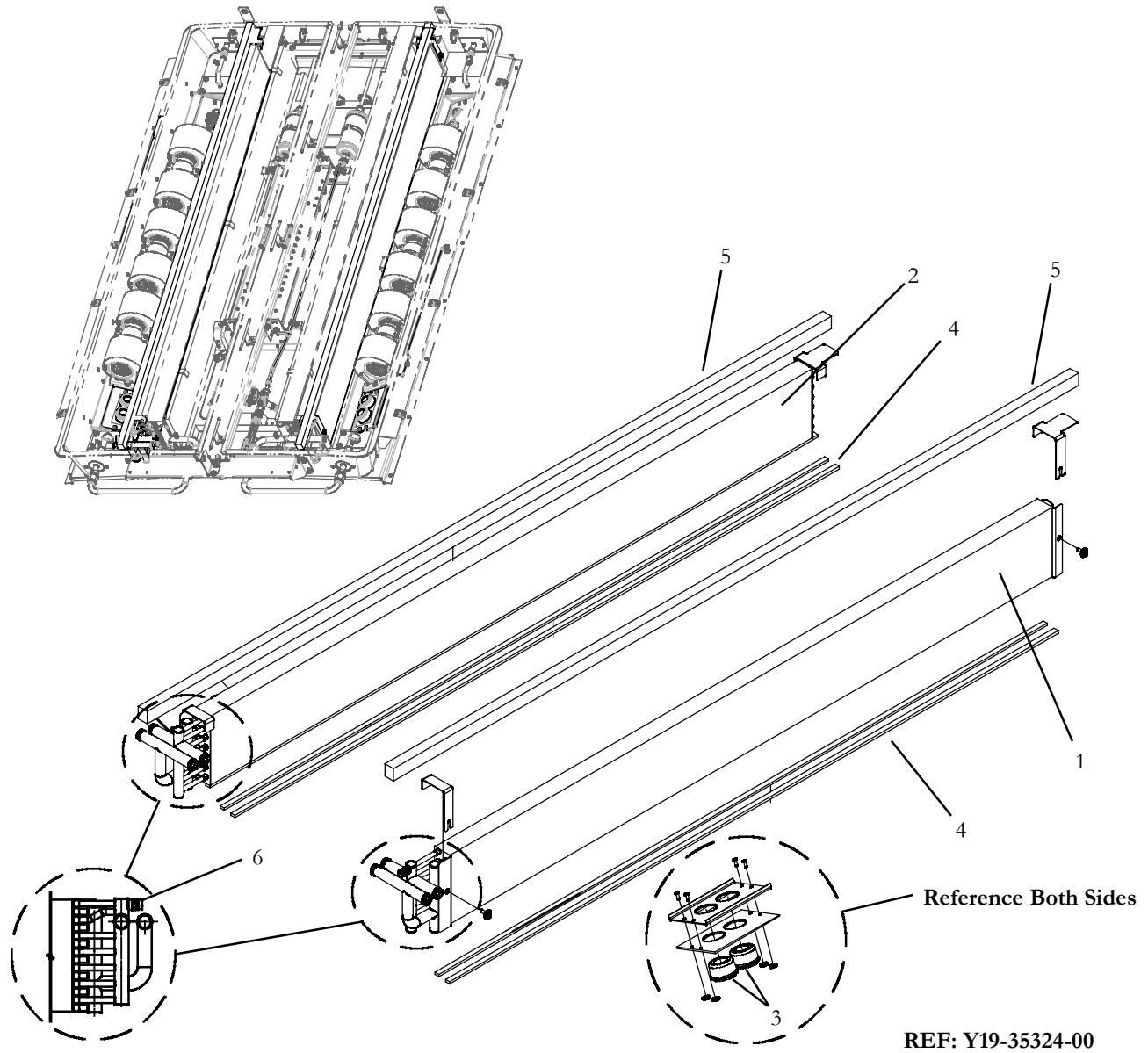


REF: Y19-35316-02

Item	Part Number	Description	Qty
1	42-00243-13	O-Ring, .551 I.D. X .139 THK	2
2	14-00351-00	Core, Schrader	1
3	40-62032-00	Fitting, Swivel, Male Insert O-Ring, 1-1/16" - 14	2
4	40-62032-01	Fitting, Swivel, Male Insert O-Ring, 7/8" - 14	2



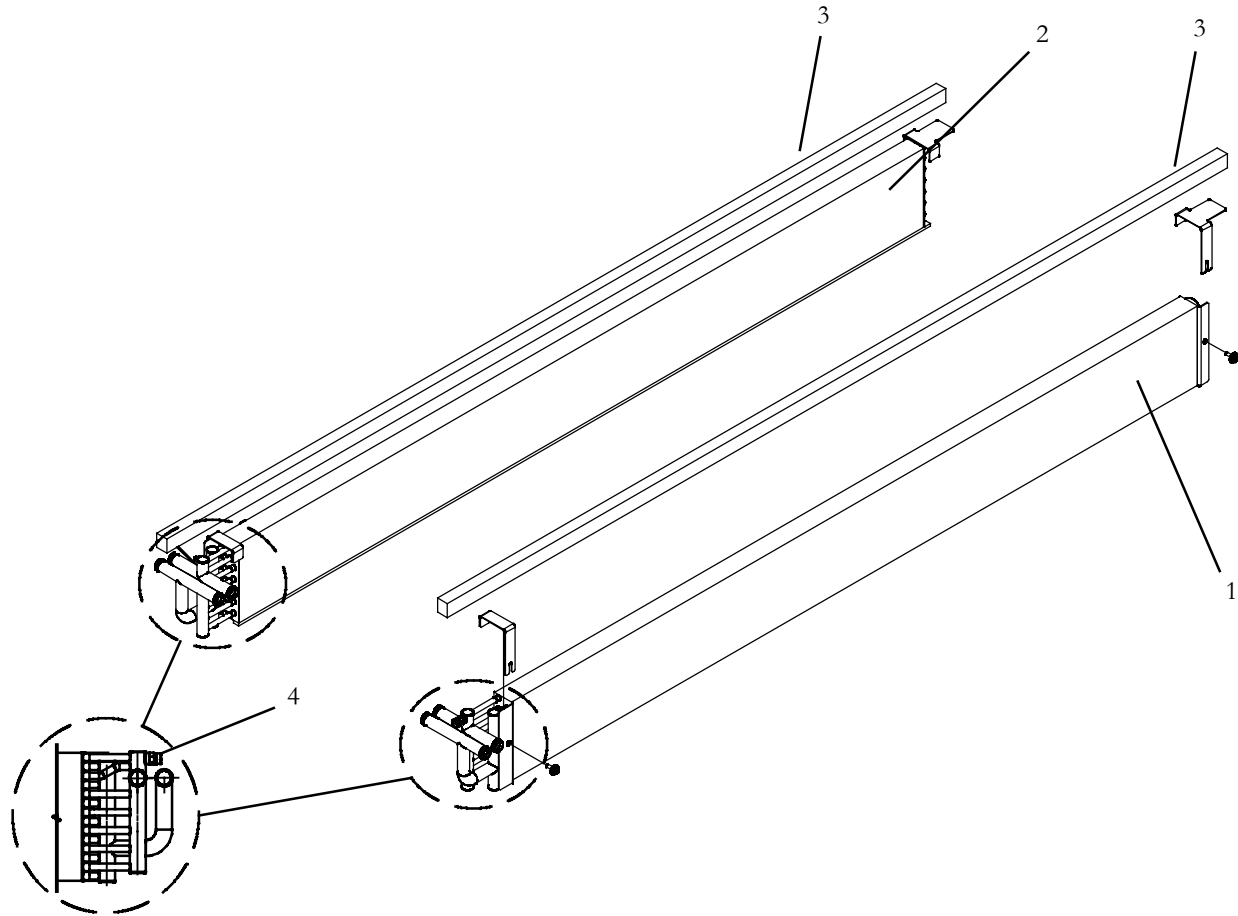
7 EVAPORATOR HEATING KIT (2 ROW) Dual Circuit OPTION 1



Item	Part Number	Description	Qty
1	22-1225	Coil, Heater, Right	1
2	22-1227	Coil, Heater, Left	1
3	58-60298-05	Grommet, 1.89" I.D. X 1.38" thru I.D. X .16" G	4
4	AC801-401	Gasket, Foam, 3/16 X 3/8 Hard (Cut into 4 Strips)	283.5 in.
5	42-00221-16	Gasket, 79.78" X 1.25" X "1.00	2
6	46-0008	Air Vent, 1/8" NPT	2



8 EVAPORATOR HEATING KIT (2 ROW) Single Circuit OPTION 2

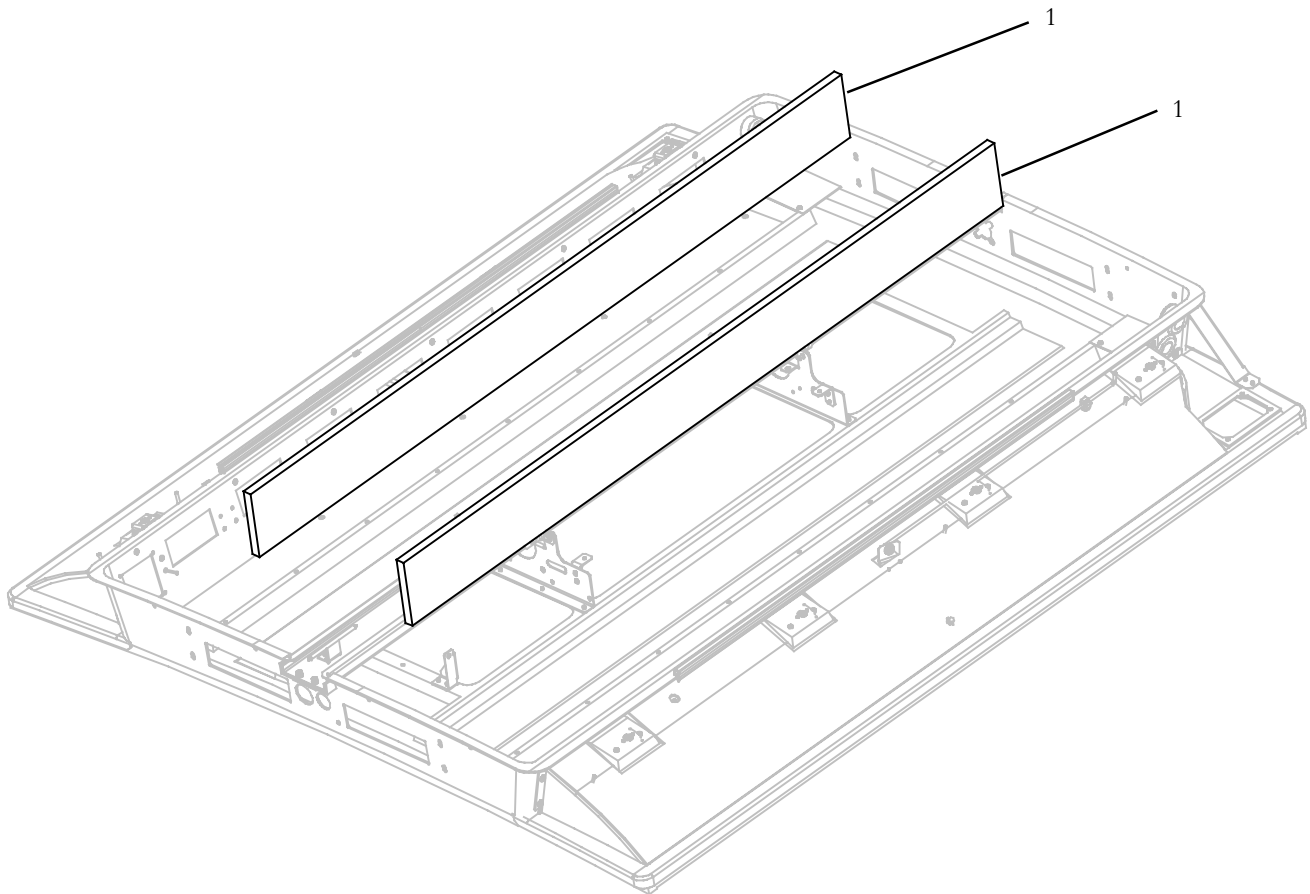


REF: 77-62255-00

Item	Part Number	Description	Qty
1	22-1225	Coil, Heater, Right	1
2	22-1227	Coil, Heater, Left	1
3	42-00221-16	Gasket, 79.78" X 1.25" X "1.00	2
4	46-0008	Air Vent, 1/8" NPT	2



9 EVAPORATOR FILTER KIT (STANDARD)



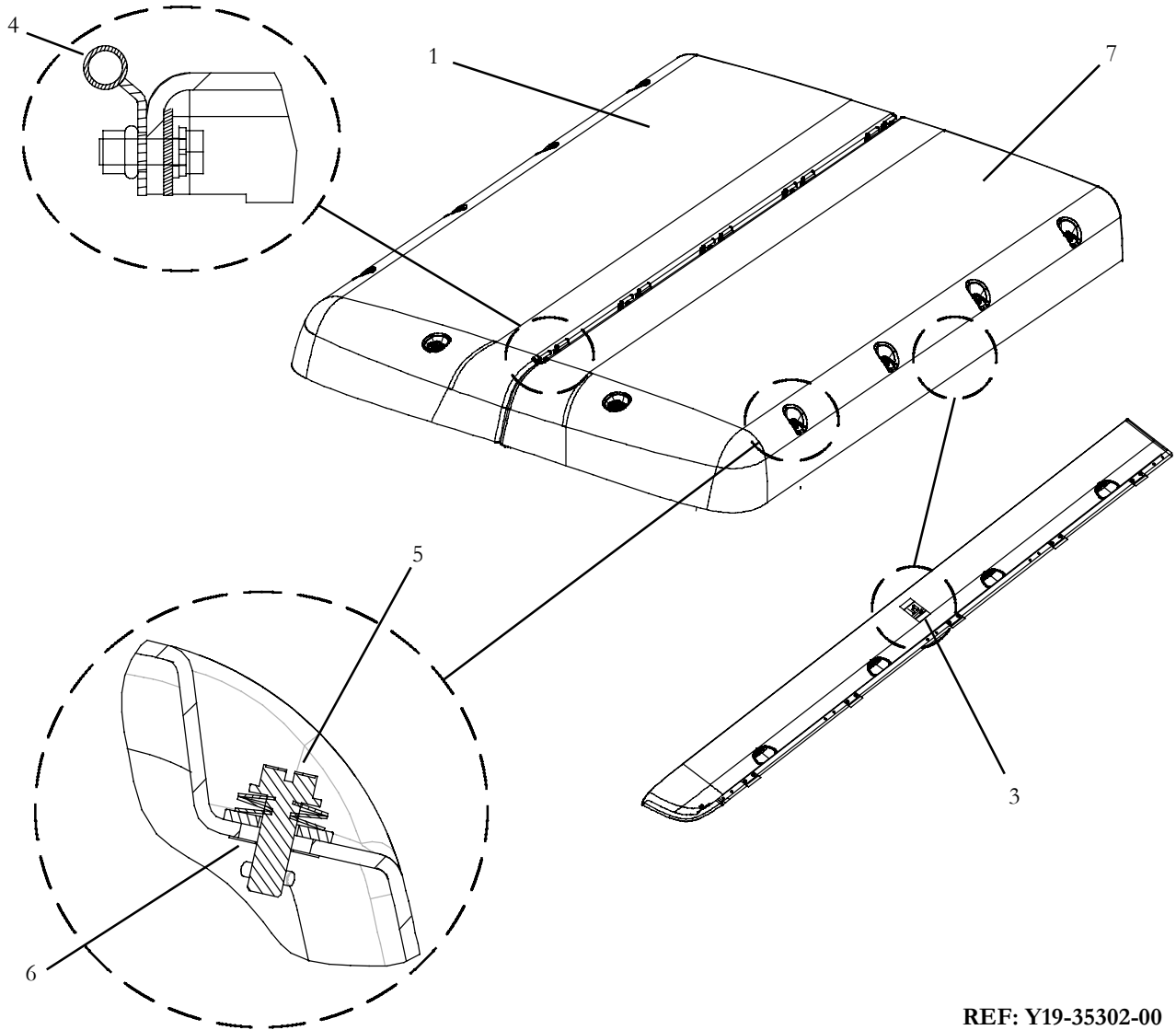
REF: Y19-35320-00

Item	Part Number	Description	Qty
1	42-62045-02	Filter, Air, Evaporator, Foam, 0.75 Thick x 6.25 x 70.87 Inches	2



10 EVAPORATOR COVER KITS

10.1 Evaporator Cover Kit, Standard (R10M) OPTION 1

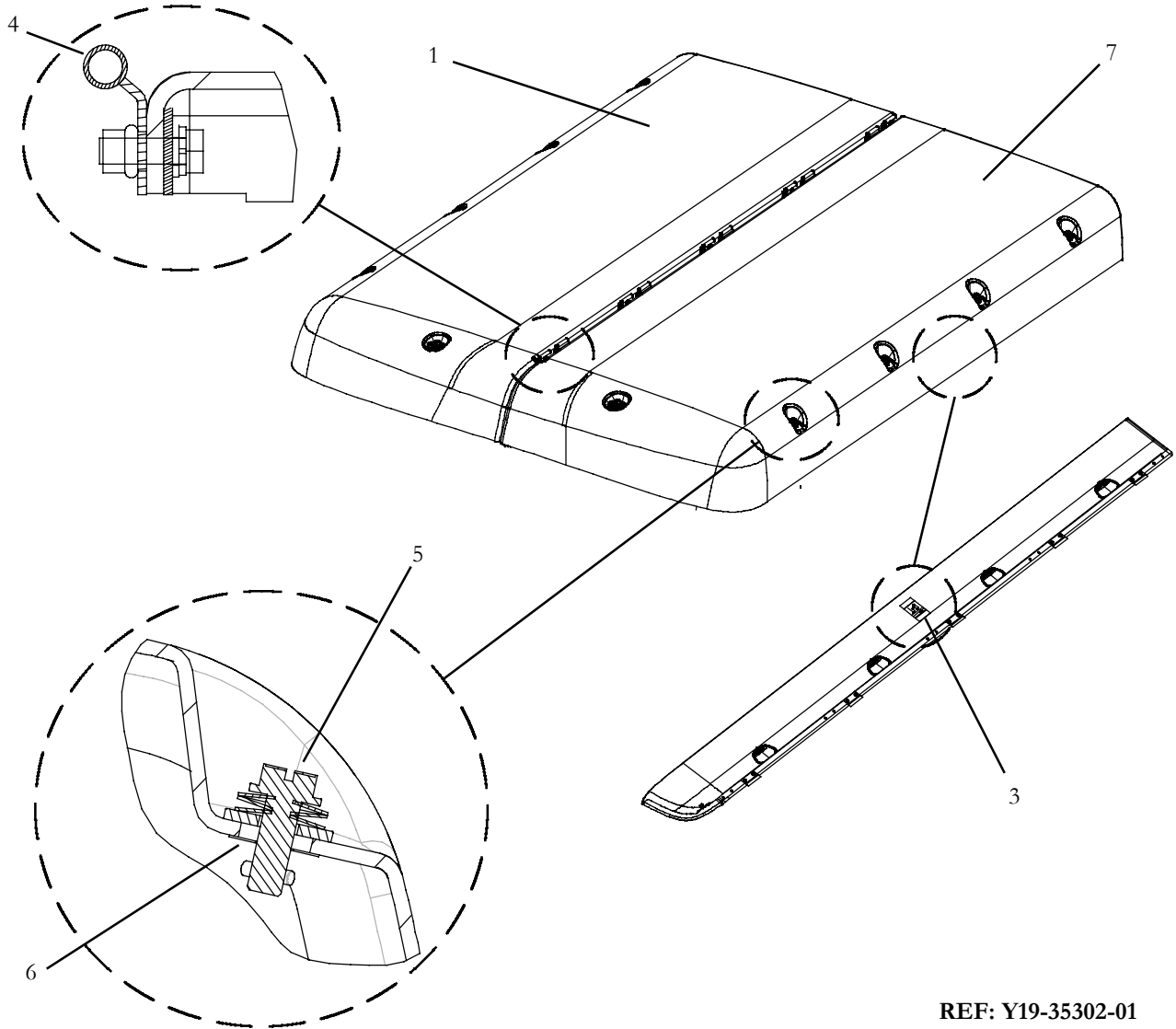


REF: Y19-35302-00

Item	Part Number	Description	Qty
1	Y28-00000-00	Cover Assembly, Evaporator, Right , R10M - Includes:	1
2	NSI	Cover, Evaporator, Right , R10M	1
3	Y24-00013	Bracket, Rod, Cover Support	1
4	86-67151-00	Hinge Assembly, Cover, Evaporator	5
5	34-67009-00	Stud, Captive, 1/4 Turn, With Disc and Flat Washers	5
6	34-67025-00	Washer, Retaining, Steel	5
7	Y28-00000-01	Cover Assembly, Evaporator, Left , R10M - Includes:	1
2	NSI	Cover, Evaporator, Left , R10M - Includes	1
3	Y24-00013	Bracket, Rod, Cover Support	1
4	86-67151-00	Hinge Assembly, Cover, Evaporator	5
5	34-67009-00	Stud, Captive, 1/4 Turn, With Disc and Flat Washers	5
6	34-67025-00	Washer, Retaining, Steel	5



10.2 Evaporator Cover Kit, Standard (R6.5M) OPTION 2

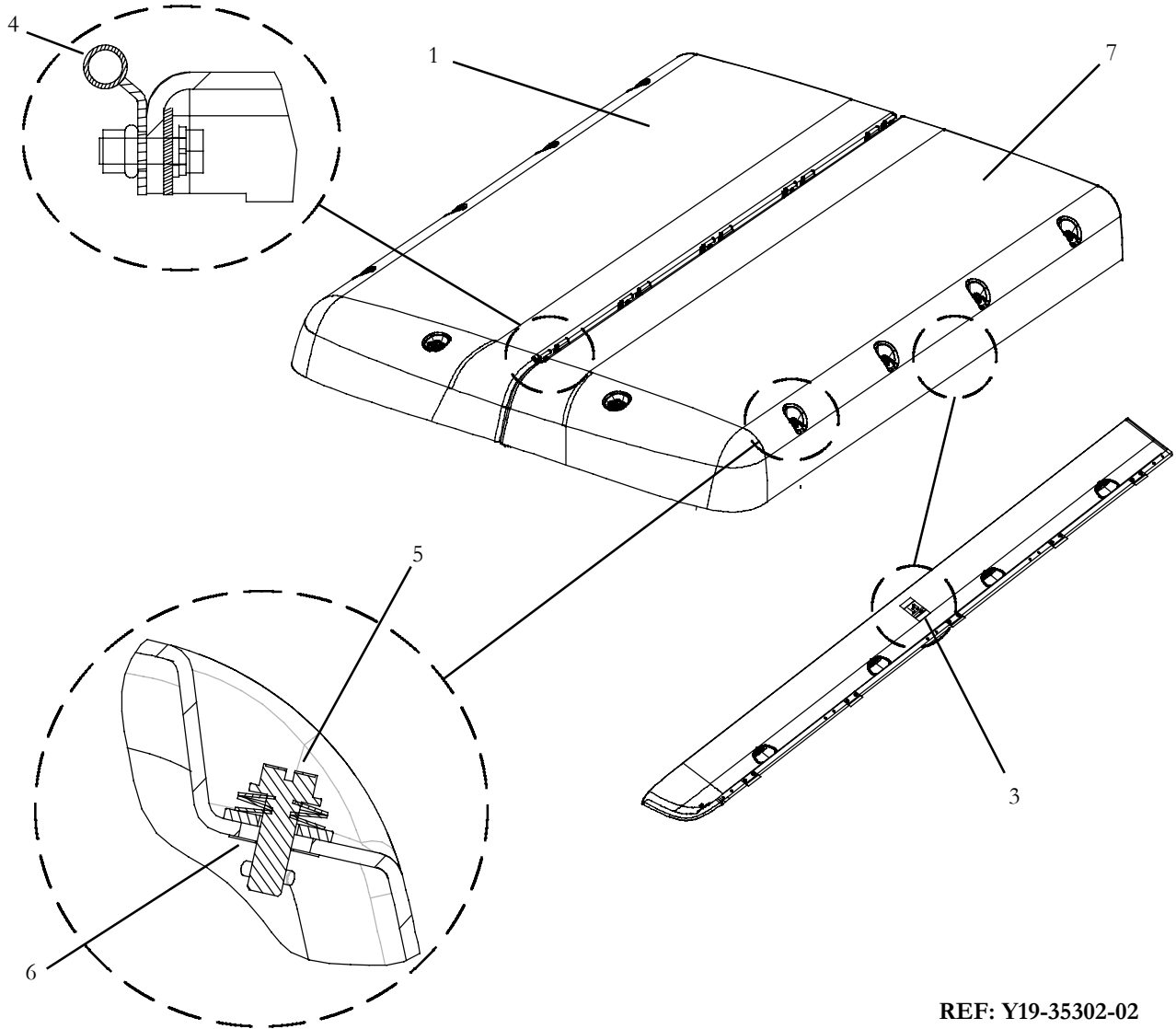


REF: Y19-35302-01

Item	Part Number	Description	Qty
1	Y28-00000-02	Cover Assembly, Evaporator, Right , R6.5M - Includes:	1
2	NSI	Cover, Evaporator, Right , R6.5M	1
3	Y24-00013	Bracket, Rod, Cover Support	1
4	86-67151-00	Hinge Assembly, Cover, Evaporator	5
5	34-67009-00	Stud, Captive, 1/4 Turn, With Disc and Flat Washers	5
6	34-67025-00	Washer, Retaining, Steel	5
7	Y28-00000-03	Cover Assembly, Evaporator, Left , R6.5M - Includes:	1
2	NSI	Cover, Evaporator, Left , R6.5M - Includes	1
3	Y24-00013	Bracket, Rod, Cover Support	1
4	86-67151-00	Hinge Assembly, Cover, Evaporator	5
5	34-67009-00	Stud, Captive, 1/4 Turn, With Disc and Flat Washers	5
6	34-67025-00	Washer, Retaining, Steel	5



10.3 Evaporator Cover Kit, Standard (R3.4M) OPTION 3



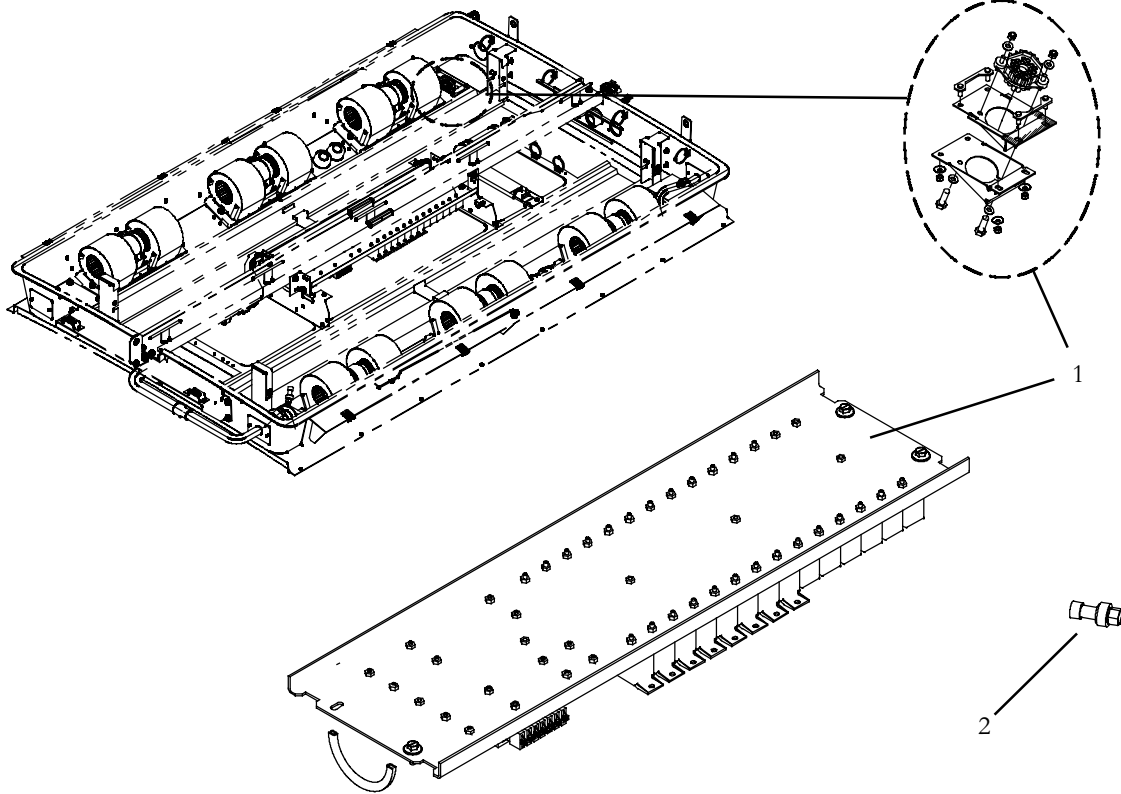
REF: Y19-35302-02

Item	Part Number	Description	Qty
1	Y28-00000-04	Cover Assembly, Evaporator, Right , R3.4M - Includes:	1
2	NSI	Cover, Evaporator, Right , R3.4M	1
3	Y24-00013	Bracket, Rod, Cover Support	1
4	86-67151-00	Hinge Assembly, Cover, Evaporator	5
5	34-67009-00	Stud, Captive, 1/4 Turn, With Disc and Flat Washers	5
6	34-67025-00	Washer, Retaining, Steel	5
7	Y28-00000-05	Cover Assembly, Evaporator, Left , R3.4M - Includes:	1
2	NSI	Cover, Evaporator, Left , R3.4M - Includes	1
3	Y24-00013	Bracket, Rod, Cover Support	1
4	86-67151-00	Hinge Assembly, Cover, Evaporator	5
5	34-67009-00	Stud, Captive, 1/4 Turn, With Disc and Flat Washers	5
6	34-67025-00	Washer, Retaining, Steel	5



11 EVAPORATOR ELECTRICAL COMPONENTS

11.1 Evaporator Electrical Components (Single Circuit w/Enviromate) 24VDC: OPTION 1

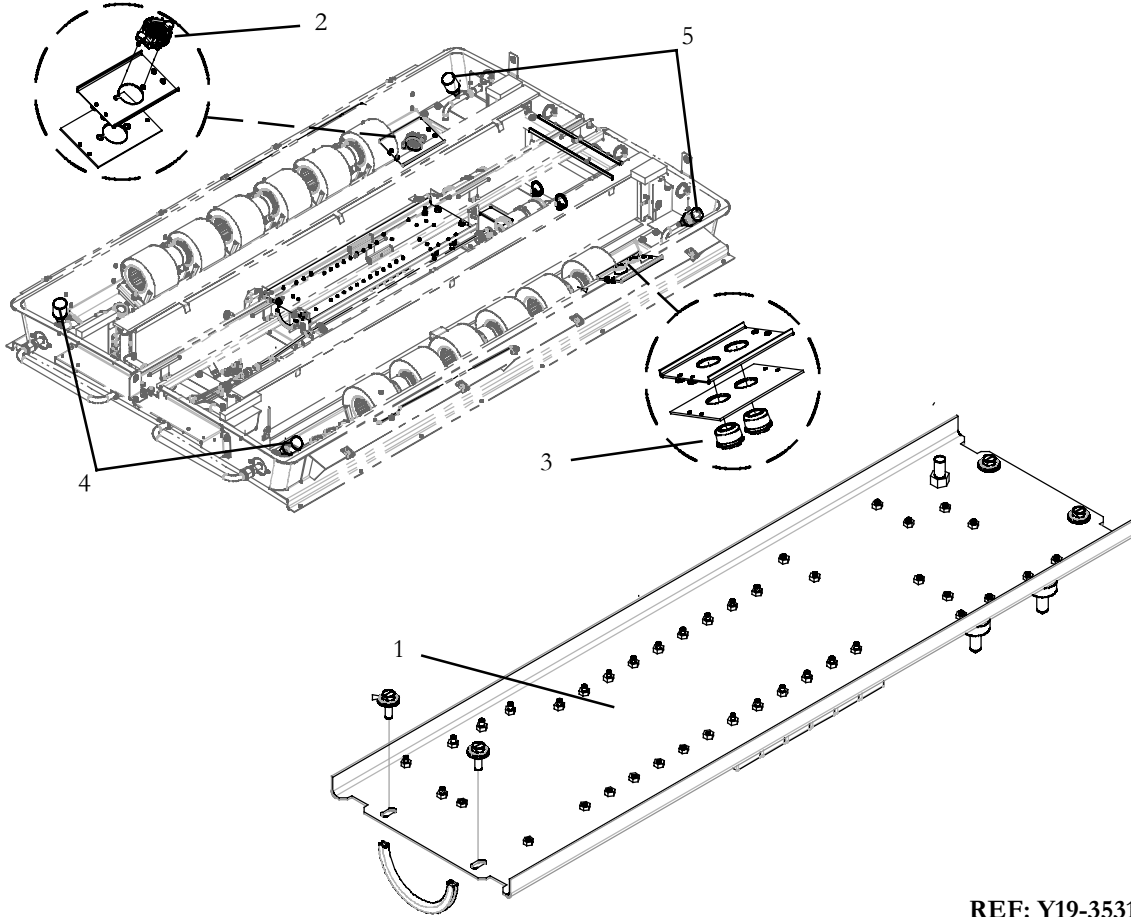


REF: Y19-35315-05

Item	Part Number	Description	Qty
1	NSI	Panel Assembly, Electric, Single Circuit 24VDC (See Section 12.1)	1
2	12-00352-00	Transducer, Pressure, 1/4 SAE Female Flare	2



11.2 Evaporator Electrical Components (Dual Circuit w/Enviromate) 12VDC: OPTION 2

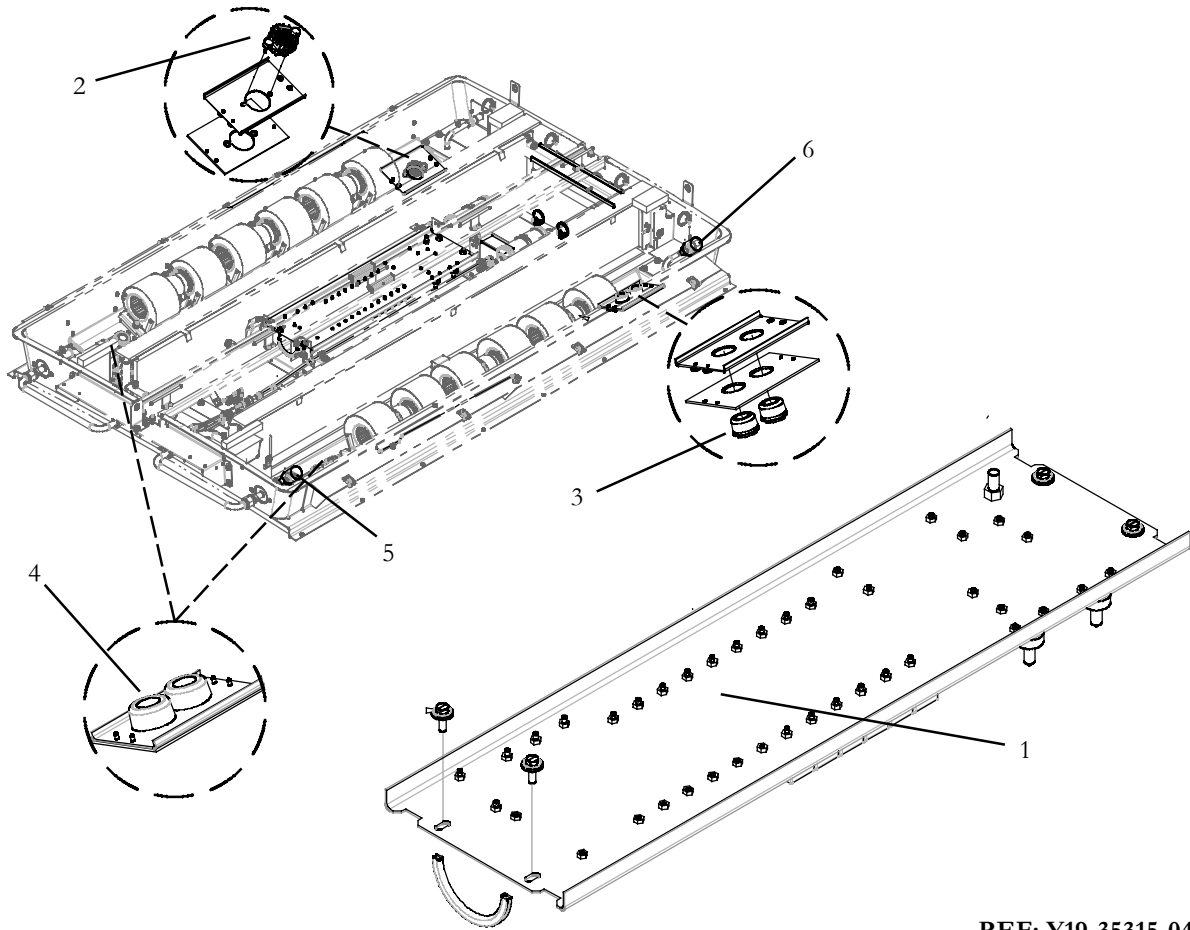


REF: Y19-35315-03

Item	Part Number	Description	Qty
1	NSI	Panel Assembly, Electric, Dual Circuit 12VDC (See Section 12.2)	1
2	22-01565-00	Connector, 22 Way	1
3	58-60298-04	Grommet, 1.50" ID x 1.02" thru x 0.16" G	2
4	12-00299-01	Pressure Switch, Low	2
5	12-00299-07	Pressure Switch, High	2



11.3 Evaporator Electrical Components (Single Circuit w/Enviromate) 12VDC: OPTION 3



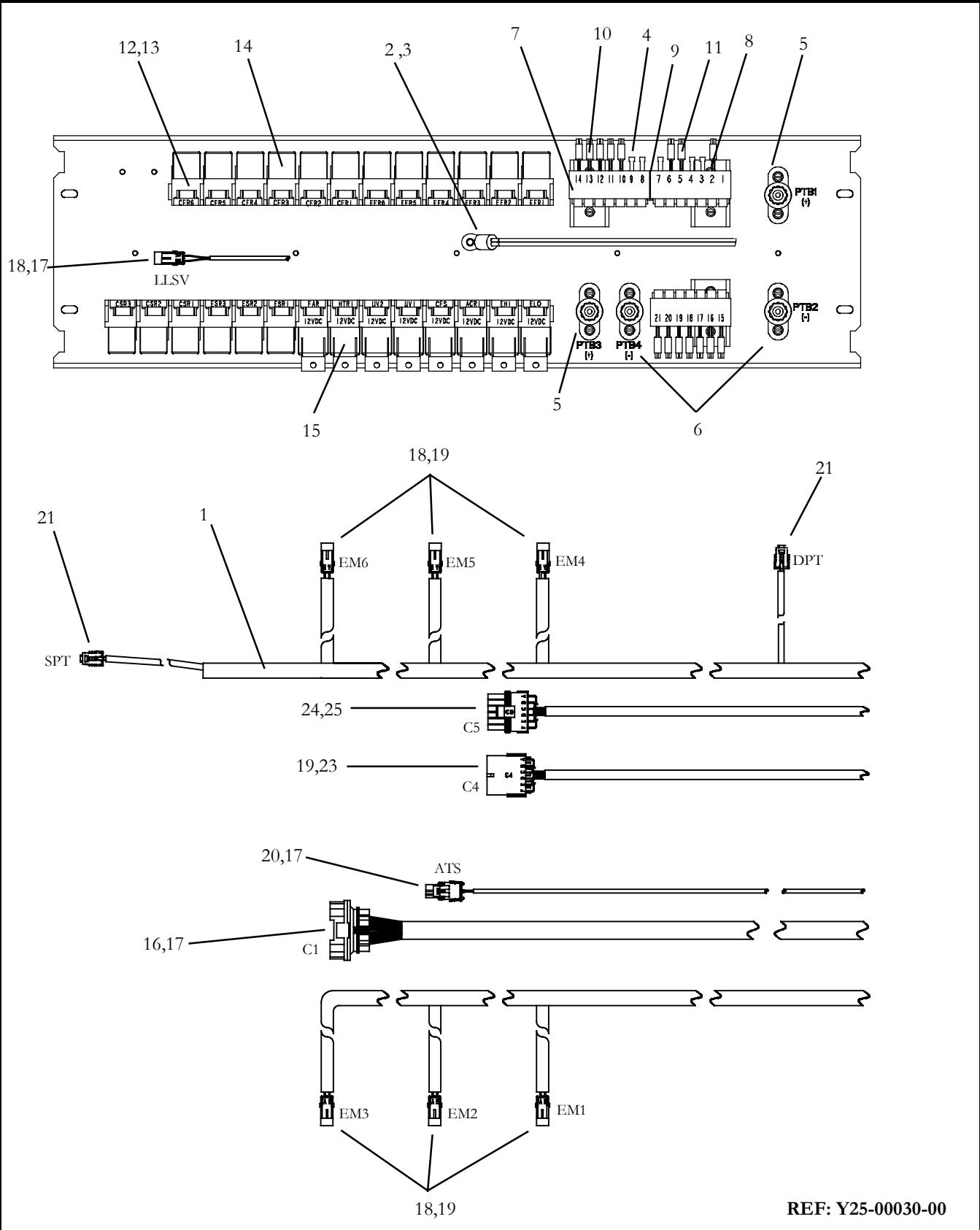
REF: Y19-35315-04

Item	Part Number	Description	Qty
1	NSI	Panel Assembly, Electric, Single Circuit 12VDC (See Section 12.2)	1
2	22-01565-00	Connector, 22 Way	1
3	58-60298-04	Grommet, 1.50" ID x 1.02" thru x 0.16" G	2
4	58-60298-05	Grommet, 1.89" ID x 1.38" thru x 0.16" G	4
5	12-00299-01	Pressure Switch, Low	1
6	12-00299-07	Pressure Switch, High	1



12 EVAPORATOR CONTROL PANELS

12.1 Relay Board/ Harness - Single Circuit w/Enviromate- 24VDC



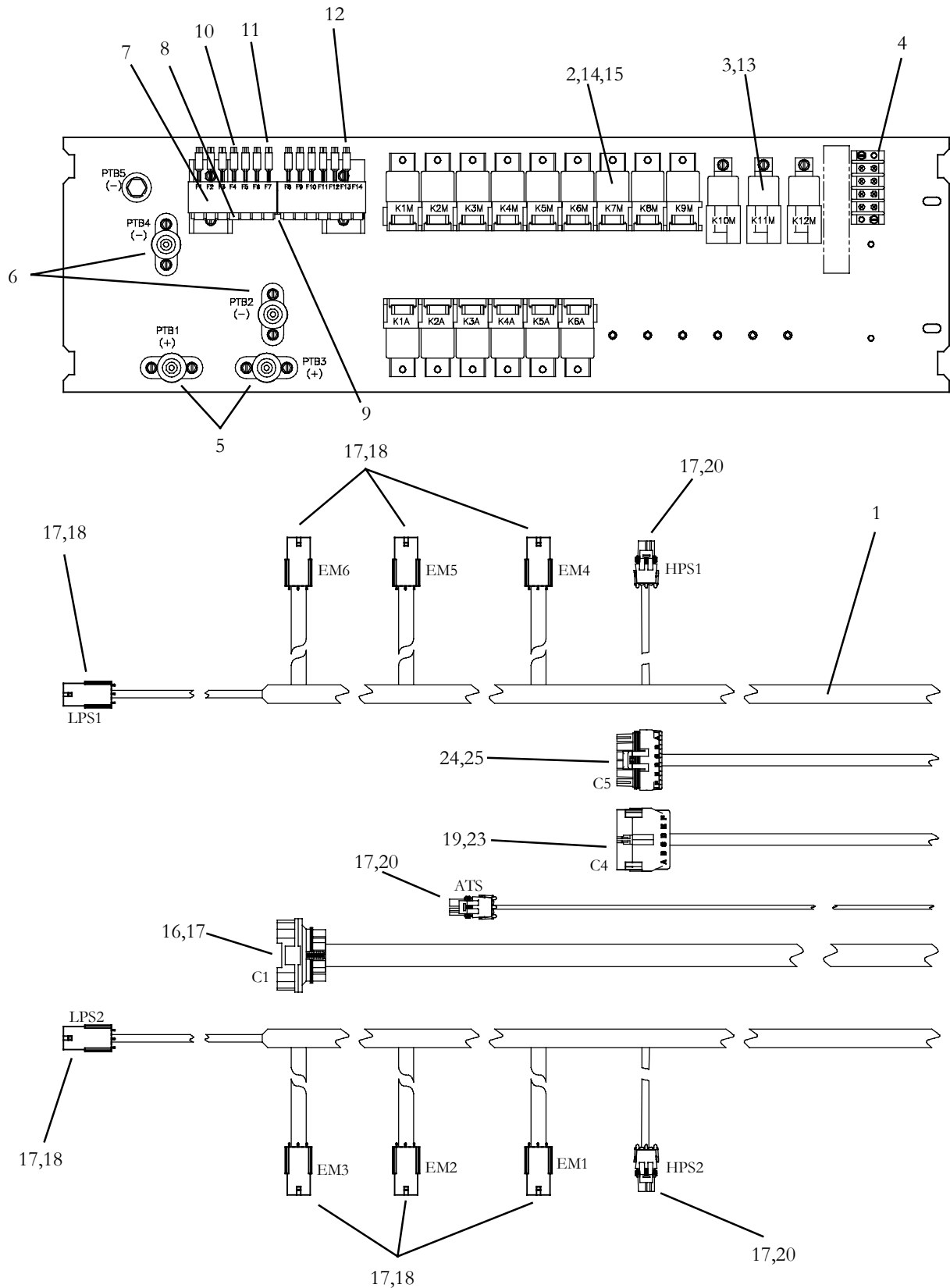
REF: Y25-00030-00



12.1 Relay Board/Harness - Single Circuit w/Enviromate- 24VDC (Continued)			
Item	Part Number	Description	Qty
-	NSI	Panel Assembly, Electric, Single Circuit 24V, PM Motors- Includes:	1
1	02-00137-00	Tape, 19mm width	1
2	NSI	Thermistor, Ring	1
3	12-00495-02SV	Thermistor Service Kit (Replacement for 12-00305-04)	1
4	22-02336-02	Fuse, 5 AMP	5
5	22-50098-91	Junction Block, 3/8 -16 Stud, Red	2
6	22-50098-91A	Junction Block, 3/8 -16 Stud, Black	2
7	22-62036-00	Fuse Holder	3
8	22-62039-01	Lock, Secondary	42
9	22-62040-00	Lock, Secondary	1
10	25-3160	Circuit Breaker, 20 AMP Fuse	13
11	25-3162	Circuit Breaker, 10 AMP Fuse	2
12	AC201-901	Connector, Relay Socket	26
13	AC201-931	Lock, Connector	26
14	Y25-00001-03	Relay, 24 VDC	18
15	10-00286-14	Relay, 50A SPST, 12VDC (coil)	8
16	22-01565-00	Connector, 22 Way	1
17	22-01566-01	Terminals, 18-20 AWG, Female W/P	26
18	22-02392-00	Connector, 2 Way W/P, Male	7
19	22-02393-00	Terminals, 14-16 AWG, Male W/P	18
20	22-01585-00	Connector, 2 Way W/P, Female	1
21	22-02448-00SV	Connector Service Kit, Transducers-Includes:	1
22	NSI	Terminals, Female	3
23	22-02392-02	Connector, 6 Way W/P, Male	1
24	22-01585-03	Connector, 6 Way W/P, Female	1
25	22-01566-00	Terminals, 14-16 AWG, Female W/P	6



12.2 Relay Board/ Harness - Dual/Single Circuit w/Enviromate 12VDC



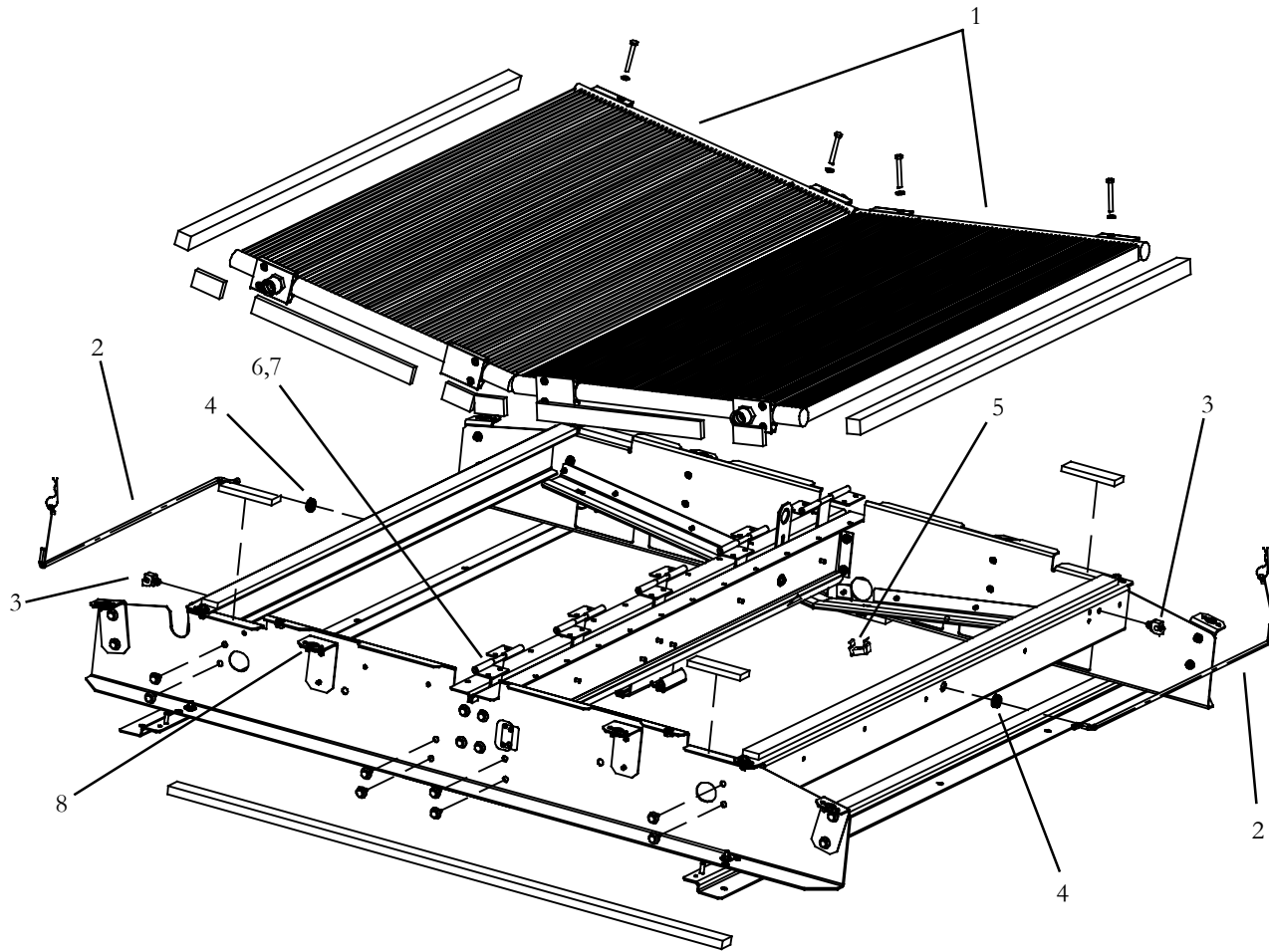
REF: Y25-00027-00



12.1 Relay Board/ Harness - Dual/Single Circuit w/Enviromate 12 VDC (Continued)			
Item	Part Number	Description	Qty
-	NSI	Panel Assembly, Electric, Dual/Single Circuit 12V, PM Motors- Includes:	1
1	02-00137-00	Tape, 19mm width	1
2	10-00286-14	Relay, 50A SPST, 12vdc	15
3	10-00328-00	Relay, 70A	3
4	22-01563-05	Terminal Block, 4 Pole	1
5	22-50098-91	Junction Block, 3/8 -16 Stud, Red	2
6	22-50098-91A	Junction Block, 3/8 -16 Stud, Black	2
7	22-62036-00	Fuse Holder	2
8	22-62039-01	Lock, Secondary	28
9	22-62040-00	Lock, Secondary	1
10	25-3158	Circuit Breaker, 30 AMP Fuse	6
11	25-3160	Circuit Breaker, 20 AMP Fuse	6
12	25-3161	Circuit Breaker, 15 AMP Fuse	1
13	22-50078-18	Connector, Relay Socket (70A)	3
14	AC201-901	Connector, Relay Socket	15
15	AC201-931	Lock, Connector	15
16	22-01565-00	Connector, 22 Way	1
17	22-01566-01	Terminals, 18-20 AWG, Female W/P	28
18	22-02392-00	Connector, 2 Way W/P, Male	7
19	22-02393-00	Terminals, 14-16 AWG, Male W/P	18
20	22-01585-00	Connector, 2 Way W/P, Female	1
21	22-02448-00SV	Connector Service Kit, Transducers-Includes:	1
22	NSI	Terminals, Female	3
23	22-02392-02	Connector, 6 Way W/P, Male	1
24	22-01585-03	Connector, 6 Way W/P, Female	1
25	22-01566-00	Terminals, 14-16 AWG, Female W/P	6



13 CONDENSER KIT - SINGLE/DUAL CIRCUIT (All Models Regardless of Radius)



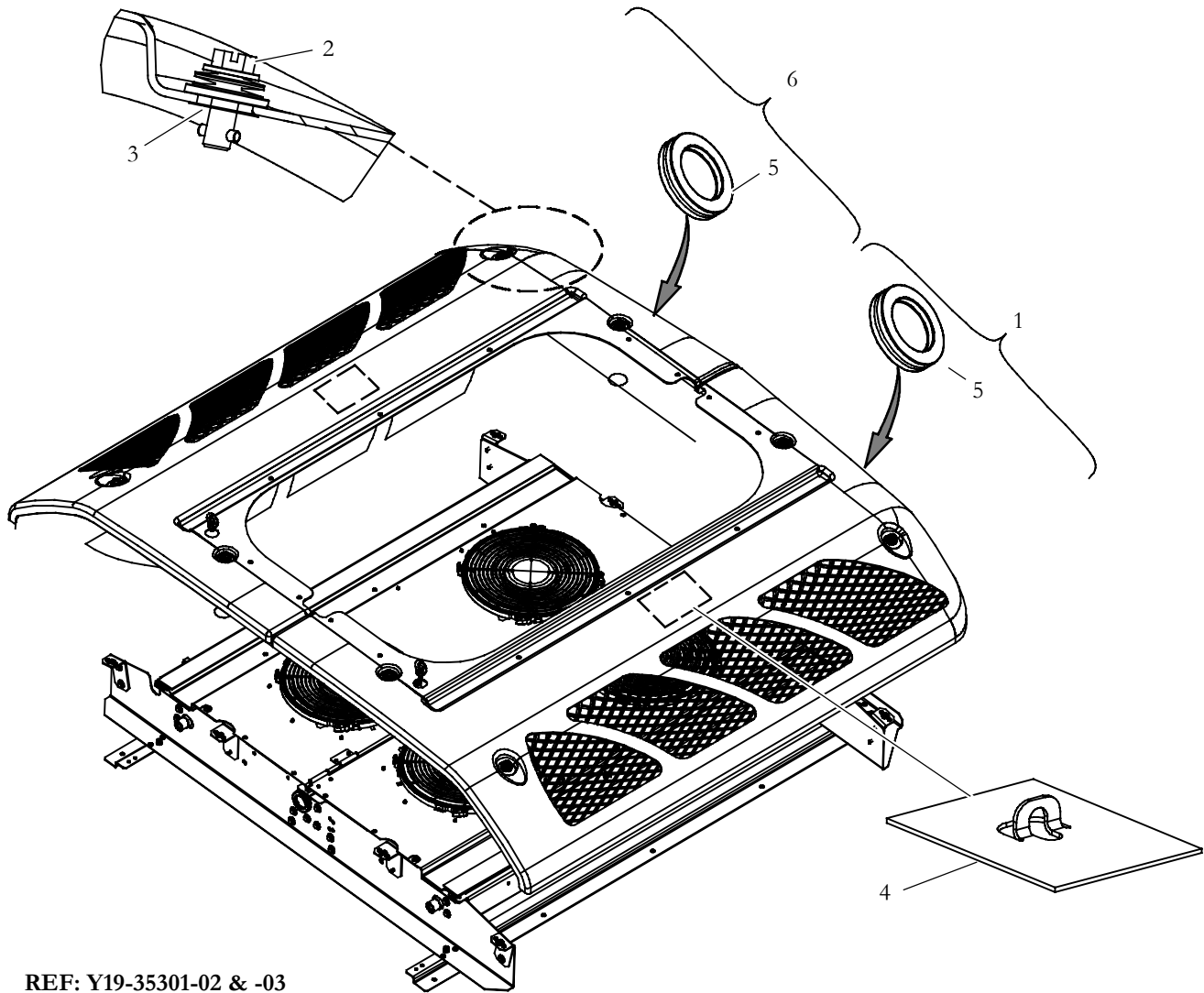
REF: Y19-35303

Item	Part Number	Description	Qty
-	NSI	Housing Assembly, Condenser - Includes:	1
1	08-67026-02	Condenser Coil, MCHX	2
2	Y24-00057-00	Prop Rod	2
3	44-67014-00	Clip	2
4	58-60302-01	Grommet, .035 ID X .61 OD X 0.08 THK Panel	2
5	34-60098-66	Ecrou Cage	4
6	86-67149-00	Hinge, Double Pin	4
7	86-67150-00	Hinge, Cover	5
8	34-62016-00	Locking Plate	8



14 CONDENSER COVER KIT

14.1 CONDENSER COVER KIT - Skins (Dual Loop): Option 1 (10M) & Option 2 (6.5M)

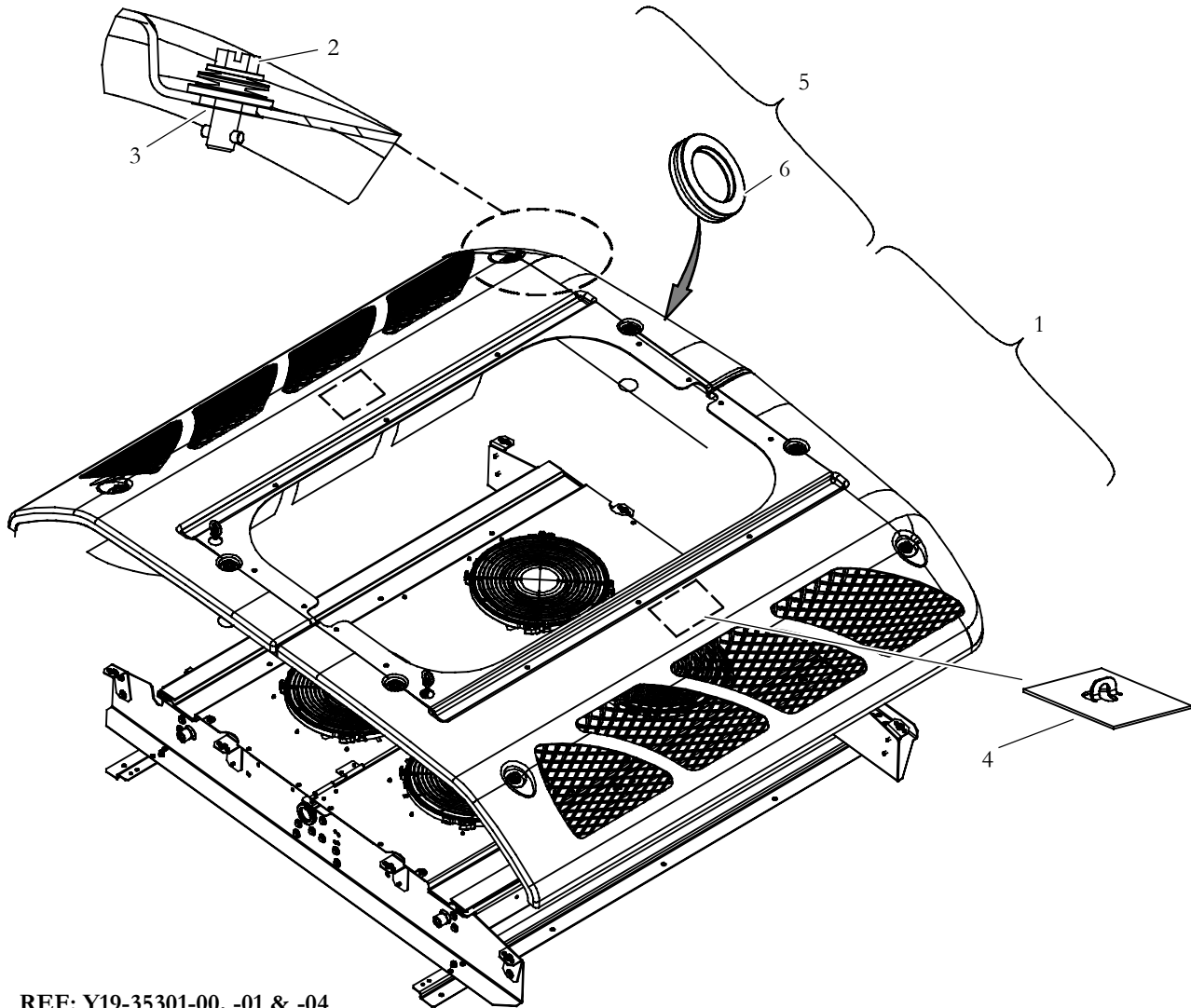


REF: Y19-35301-02 & -03

Item	Part Number	Description	Qty
1	Y28-00003-05	Cover Assembly, Right Hand, Condenser, R6.5M - Includes: Option 2	1
	Y28-00003-04	Cover Assembly, Right Hand, Condenser, R10M - Includes: Option 1	1
2	34-67009-00	Stud, Captive, 1/4 Turn, With Disc and Flat Washers	4
3	34-67025-00	Washer, Retaining, Steel	4
4	68-67165-00	Bracket, Rod, Cover Support	1
5	58-60302-05	Grommet, .083 ID X 1.1 OD X 0.08 THK Panel	2
6	Y28-00003-03	Cover Assembly, Left Hand, Condenser, R6.5M - Includes:	1
	Y28-00003-01	Cover Assembly, Left Hand, Condenser, R10M - Includes:	1
	Y28-00003-07	Cover Assembly, Left Hand, Condenser, R3.4M - Includes:	1
2	34-67009-00	Stud, Captive, 1/4 Turn, With Disc and Flat Washers	4
3	34-67025-00	Washer, Retaining, Steel	4
4	68-67165-00	Bracket, Rod, Cover Support	1
5	58-60302-05	Grommet, .083 ID X 1.1 OD X 0.08 THK Panel	2



14.2 CONDENSER COVER KIT - Skins (Single Loop): Option 3 (10M), Option 4 (6.5M) & Option 5 (3.4M)

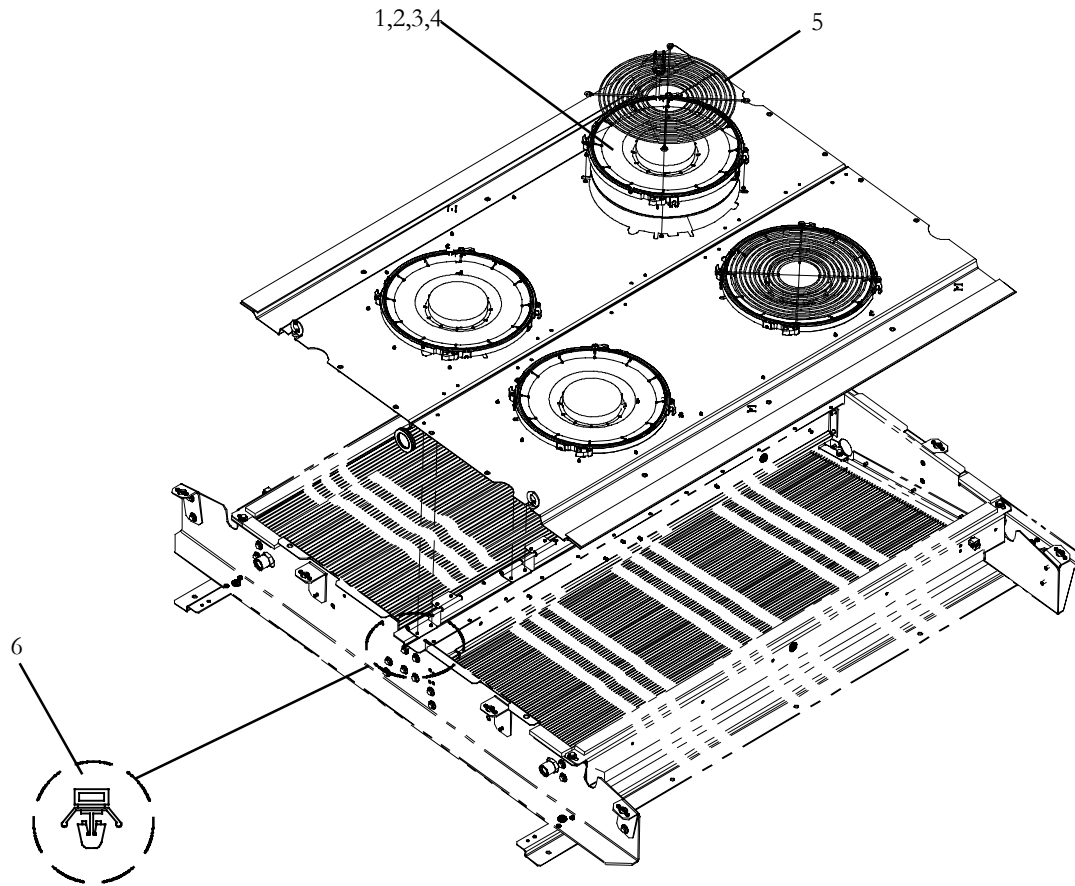


Item	Part Number	Description	Qty
1	Y28-00003-02	Cover Assembly, Right Hand, Condenser, R6.5M - Includes: Option 4	1
	Y28-00003-00	Cover Assembly, Left Hand, Condenser, R10M - Includes: Option 3	1
	Y28-00003-06	Cover Assembly, Right Hand, Condenser, R3.4M - Includes: Option 5	1
2	34-67009-00	Stud, Captive, 1/4 Turn, With Disc and Flat Washers	4
3	34-67025-00	Washer, Retaining, Steel	4
4	68-67165-00	Bracket, Rod, Cover Support	1
5	Y28-00003-03	Cover Assembly, Left Hand, Condenser, R6.5M - Includes:	1
	Y28-00003-01	Cover Assembly, Left Hand, Condenser, R10M - Includes:	1
	Y28-00003-07	Cover Assembly, Left Hand, Condenser, R3.4M - Includes:	1
2	34-67009-00	Stud, Captive, 1/4 Turn, With Disc and Flat Washers	4
3	34-67025-00	Washer, Retaining, Steel	4
4	68-67165-00	Bracket, Rod, Cover Support	1
6	58-60302-05	Grommet, .083 ID X 1.1 OD X 0.08 THK Panel	2



15 CONDENSER FAN KIT

15.1 Condenser Fan Kit - Option 1 - (4) 12V PM / Brushed Motors & Option 3 - (4) 24V PM/Brushed Motors

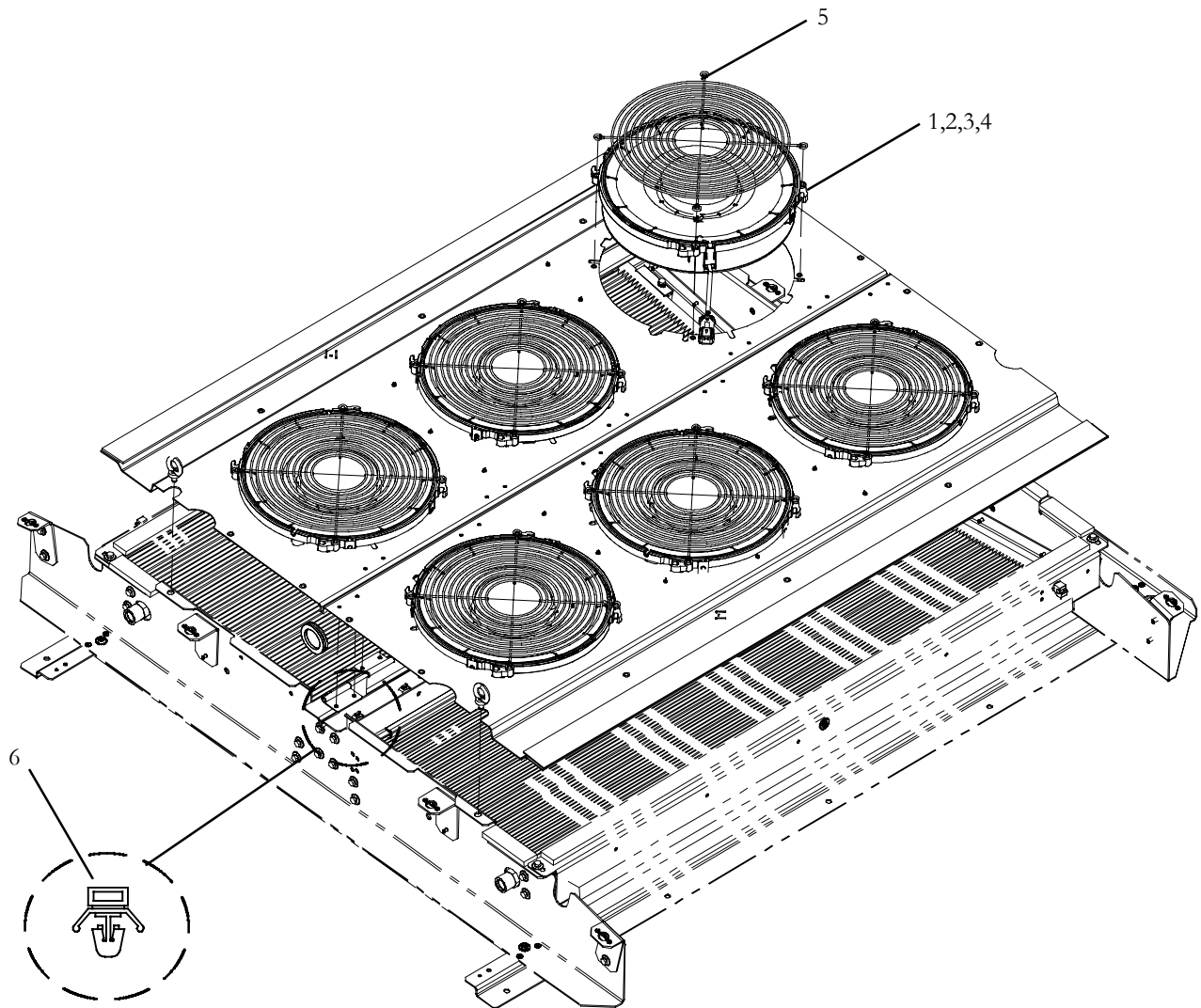


REF: 77-62258-04 & -11

Item	Part Number	Description	Qty
-	NSI	Fan Deck Assembly, Includes:	1
1	54-00622-01	Fan and Motor Assembly, Condenser, 12VDC PM Motors (Includes):	4
	54-00622-00	Fan and Motor Assembly, Condenser, 24VDC PM Motors (Includes):	4
2	22-02392-00	2 Way Connector, Male	4
3	22-02393-00	Terminals, Male 14-16 AWG	8
4	22-02394-02	Cable Seals	8
5	73-67002-00	Grille, Condenser Fan	4
6	58-04315-00	Base Mounting, 0.25 DIA MTG Hole	14



15.2 Condenser Fan Kit - Option 2 - (6) 24V (PM/Brushed Motors)



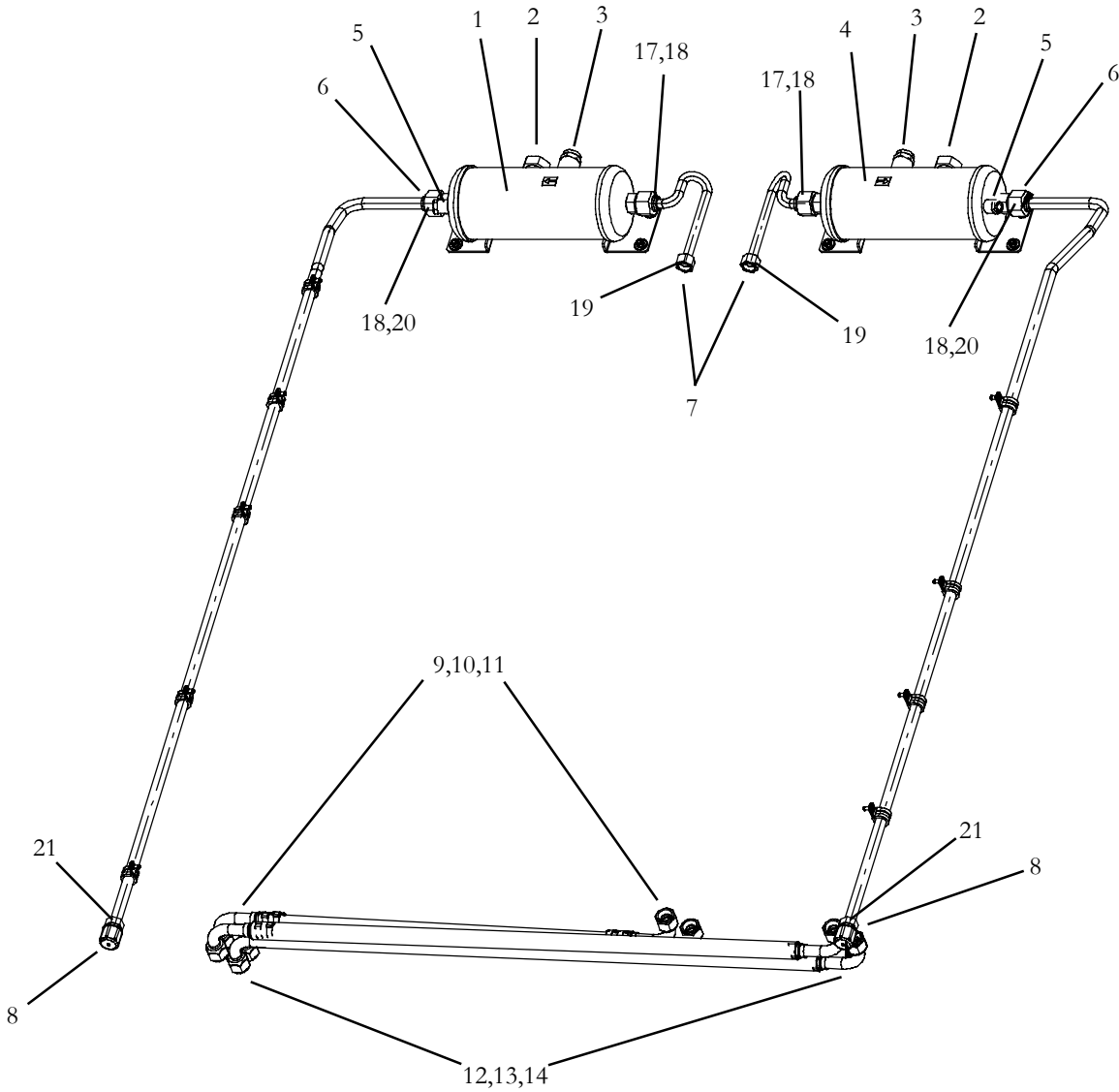
REF: 77-62258-07

Item	Part Number	Description	Qty
-	NSI	Fan Deck Assembly, Includes:	1
1	54-00622-00	Fan and Motor Assembly, Condenser, 24VDC PM Motors (Includes):	6
2	22-02392-00	2 Way Connector, Male	6
3	22-02393-00	Terminals, Male 14-16 AWG	12
4	22-02394-02	Cable Seals	12
5	73-67002-00	Grille, Condenser Fan	6
6	58-04315-00	Base Mounting, 0.25 DIA MTG Hole	28



16 CONDENSER CONNECTION KITS:

16.1 CONDENSER CONNECTION KIT: Option 1- Dual Circuit



REF: Y19-35308-00

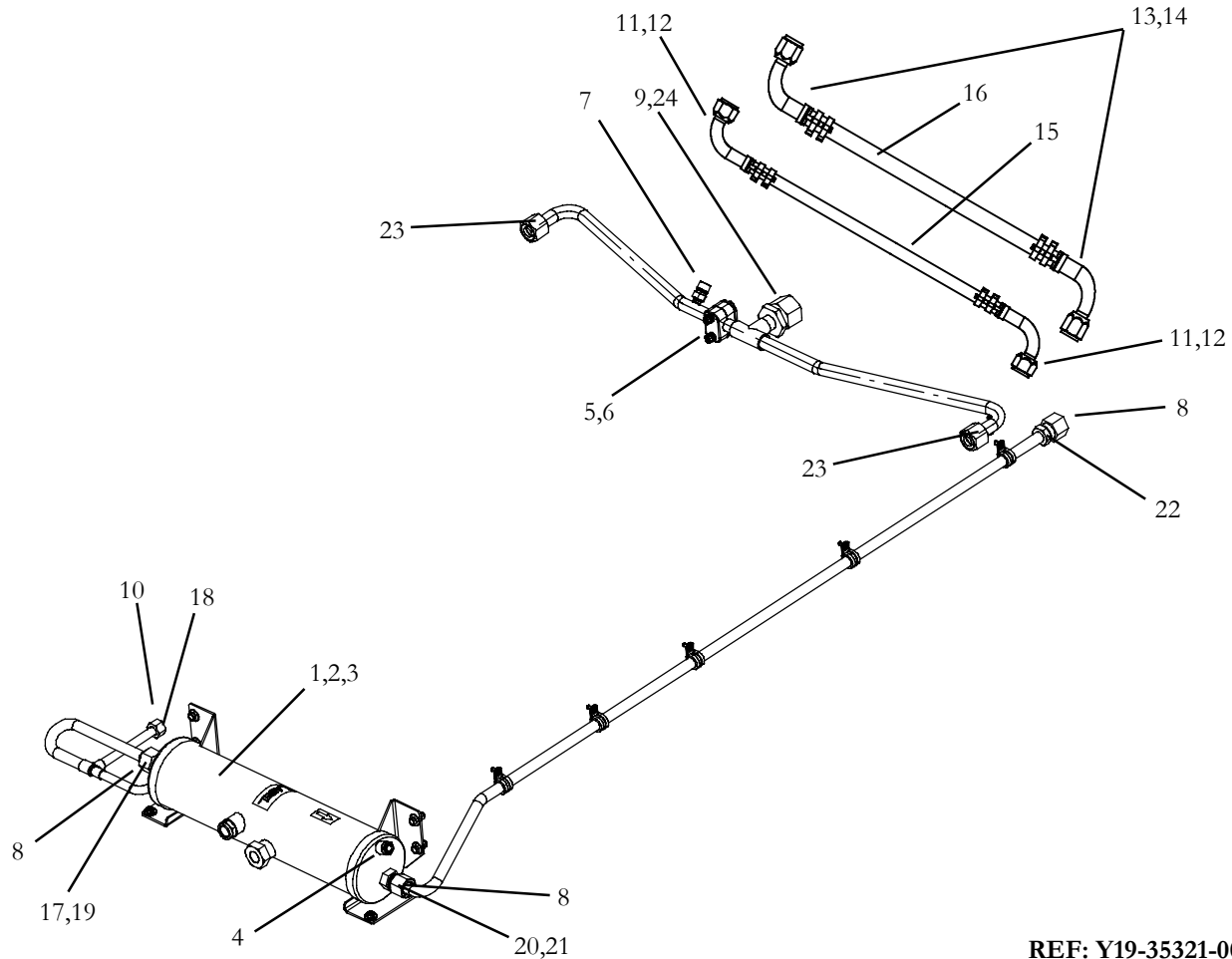
Item	Part Number	Description	Qty
1	Y26-00018-00	Receiver Assembly, Refrigerant (Includes):	1
2	AC101-203	Sightglass, w/Moisture Indicator	1
3	14-00111-00	Sightglass	1
4	Y26-00018-01	Receiver Assembly, Refrigerant (Includes):	1
2	AC101-203	Sightglass, w/Moisture Indicator	1
3	14-00111-00	Sightglass	1
5	14-01032-01	Plug, Fusible, Safety	2
6	42-00243-03	O-Ring, .614 ID x .07 THK	4
7	42-00243-12	O-Ring, .426 ID x .07 THK	2
8	42-00243-13	O-Ring, .551 ID x .07 THK	2



16.1 CONDENSER CONNECTION KIT: Option 1- Dual Circuit (Continued)			
Item	Part Number	Description	Qty
9	40-64075-04	Fitting, 90°-#10 FOR x #10 Hose (FLXCLK)	4
10	44-64008-52	Fitting Kit, Clamp/Cage #10 (FLXCLK)	4
11	AC801-203	O-Ring, 5/8" HN BR	4
12	40-64075-06	Fitting, 90°-#10 FOR x #12 Hose (FLXCLK)	4
13	44-64008-53	Fitting Kit, Clamp/Cage #12 (FLXCLK)	4
14	AC801-217	O-Ring, 3/4" HN BR	4
15	58-64105-02	Hose, Refrig. #10 FLXCLK	A/R
16	58-64105-03	Hose, Refrig. #12 FLXCLK	A/R
17	40-60008-09	Shoulder, ORS #8/10 X 1/2" OD Tube	2
18	40-60009-04	Hex Nut, ORS #10 X 5/8" OD Tube	4
19	40-62125-08	Adaptor Nut, Female Insert O-Ring (FIOR)	2
20	40-60008-04	Shoulder, ORS #10 x 5/8" OD Tube	2
21	40-62032-01	Nut, Swivel Fitting, Male Insert O-Ring	2



16.2 CONDENSER CONNECTION KIT: Option 2- Single Circuit (Without Holding Charge Valves)



REF: Y19-35321-00

Item	Part Number	Description	Qty
1	Y26-00005-00	Receiver Assembly, Refrigerant (Includes):	1
2	AC101-203	Sightglass, w/Moisture Indicator	1
3	14-00111-00	Sightglass	1
4	14-01032-01	Plug, Fusible, Safety	1
5	44-00285-71	Clamp	1
6	44-00285-89	Cover	1
7	40-60042-01	Coupling, M8, R134a	1
8	42-00243-03	O-Ring, .614 ID x .07 THK	3
9	42-00243-00	O-Ring, .921 ID x .139 THK	1
10	AC801-202	O-Ring, 1/2" HN BR	2
11	40-64094-00	Fitting, 90°-#10 ORS FEM x #10 Hose (FLXCLK)	2
12	44-64008-52	Fitting Kit, Clamp/Cage #10 (FLXCLK)	2
13	40-64094-09	Fitting, 90°-#16 ORS FEM x #16 Hose (FLXCLK)	2
14	44-64008-54	Fitting Kit, Clamp/Cage #12 (FLXCLK)	2
15	58-64105-02	Hose, Refrig. #10 FLXCLK	A/R
16	58-64105-04	Hose, Refrig. #16 FLXCLK	A/R

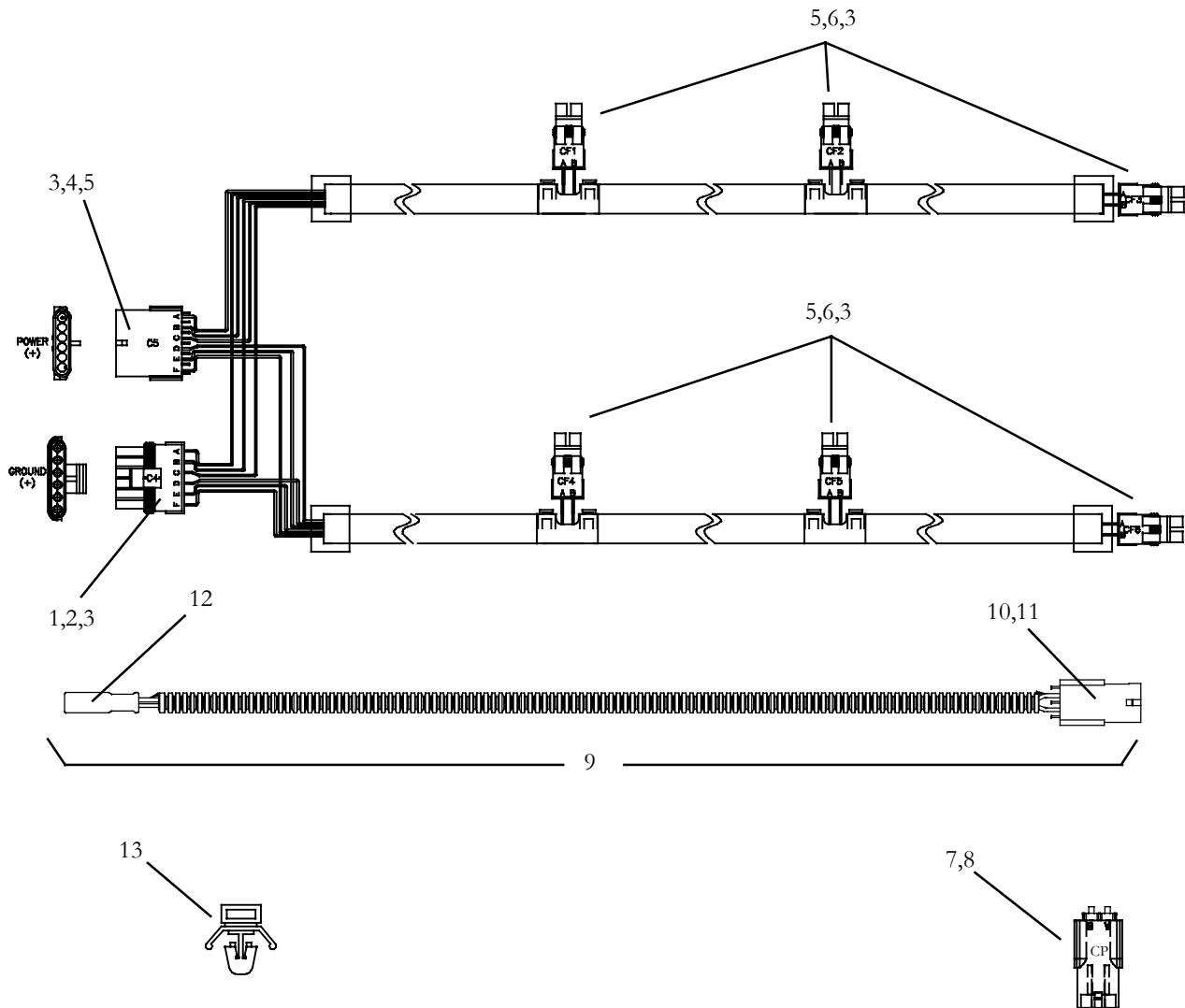


16.2 CONDENSER CONNECTION KIT: Option 2- Single Circuit (Without Holding Charge Valves) Continued:			
Item	Part Number	Description	Qty
17	40-60009-04	Hex Nut, ORS #10 X 5/8" OD Tube	4
18	40-62125-08	Adaptor Nut, Female Insert O-Ring (FIOR)	2
19	40-60008-04	Shoulder, ORS #10 x 5/8" OD Tube	2
20	34-06121-03	Nut Hex, Shoulder, ORS Solder	1
21	40-00503-03	Shoulder, Brass ORS Solder	1
22	40-00491-09	Fitting, ORS Refrigerant Connector, 1" - 14	1
23	40-67014-03	Nut Hex, O-Ring Pilot	2
24	40-00491-00	Fitting, ORS Refrigerant Connector, 1-7/16" - 12 X 7/8" ODF	1



17 CONDENSER ELECTRICAL KIT

17.1 Condenser Electrical Kit - Option 1 (w/o ATS Sensor) & Option 2 (w/ ATS Sensor) - Permanent Magnet Motors

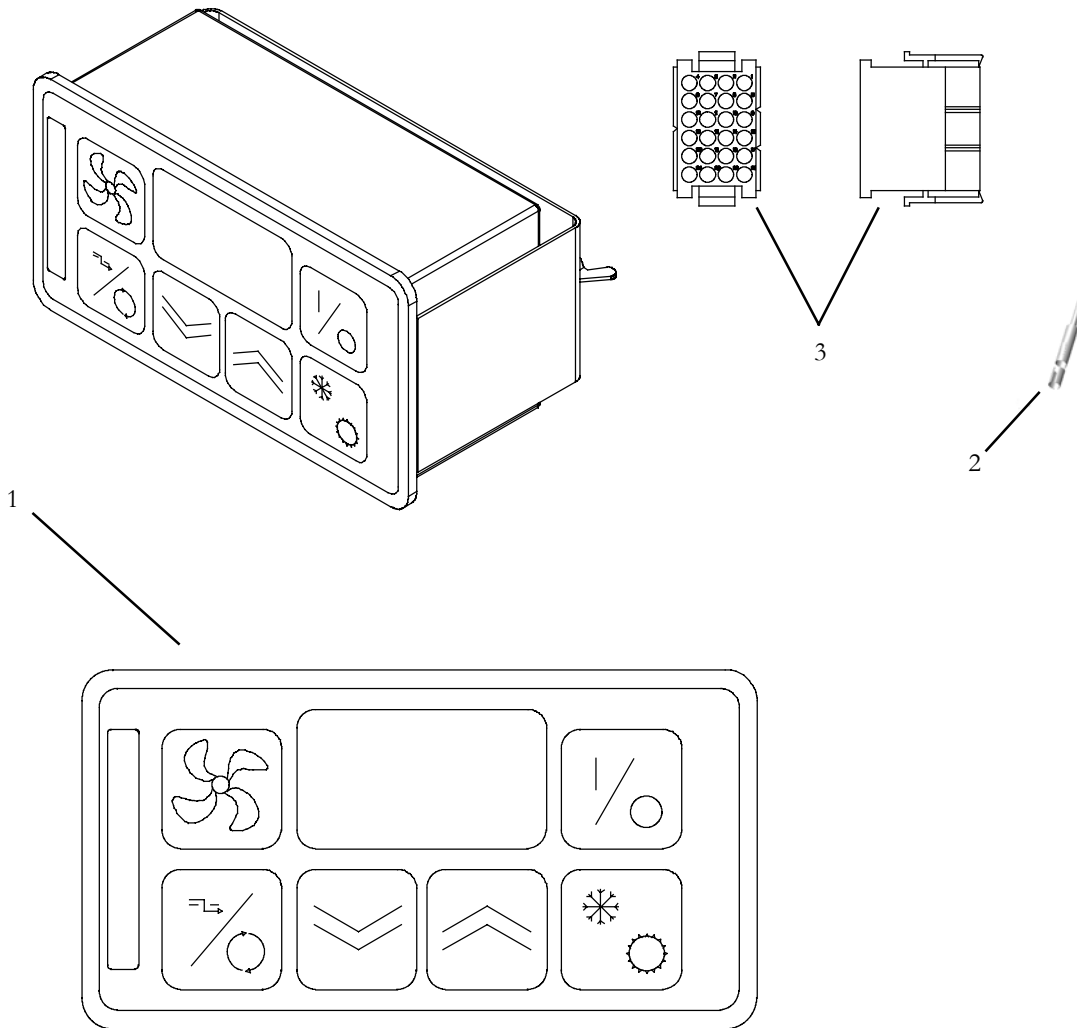


REF: 77-02270-03 & -04

Item	Part Number	Description	Qty
1	22-01585-04	Connector, 6 Way, Male (C4)	1
2	22-01566-00	Terminal, Female, 14-16 AWG	6
3	22-02394-00	Seal, Wire	24
4	22-02392-02	Connector, 6 Way, Female (C5)	1
5	22-02393-00	Terminal, Male, 14-16 AWG	18
6	22-01585-00	Connector, 2 Way, Female (CF1-CF6)	6
7	22-02392-00	Connector, 2 Way, Male (CP)	2
8	22-01565-01	Plug	4
9	Y25-00011-00	Sensor Assembly, ATS (Includes): OPTION 2 Only	1
10	22-02392-00	Connector, 2 Way, Male	1
11	22-02393-01	Terminal, Male, 18-20 AWG	2
12	35-0011	Sensor	1
13	58-04315-00	Base, Mounting, .25 DIA MTG Hoe	20



18 ENVIROMATE CONTROL PANEL



Item	Part Number	Description	Qty
1	12-00672-04	Module, Drivers Display (Enviromate Control Panel), Dual Circuit	1
	12-00672-05	Module, Drivers Display (Enviromate Control Panel), Single Circuit	1
2	22-50099-10	Terminal, Male, 18-20 AWG	A/R
3	22-50099-11	Connector, Male, (Mating Connector to Enviromate Control Panel)	A/R



0

02-00137-00	26, 28
08-67022-00	7
08-67026-02	29

1

10-00286-14	28
10-00328-00	28
12-00299-01	23, 24
12-00299-07	23, 24
12-00352-00	22
12-00495-02SV	26
12-00672-04	39
12-00672-05	39
14-00111-00	34, 36
14-00236-00	8
14-00236-02	8
14-00236-50	8
14-00236-51	8
14-00236-54	8
14-00326-05	8, 11
14-00343-01	8
14-00351-00	12, 13, 14, 15
14-01032-01	34, 36
15-15015	4, 5
15-15056	4, 5

2

21-1978-00	6
21-1978-01	6
22-01563-05	28
22-01565-00	23, 24, 26, 28
22-01565-01	38
22-01566-00	26, 28, 38
22-01566-01	26, 28
22-01585-00	26, 28, 38
22-01585-03	26, 28
22-01585-04	38

22-02336-02	26
22-02392-00	26, 28, 32, 33, 38
22-02392-02	26, 28, 38
22-02393-00	26, 28, 32, 33, 38
22-02393-01	38
22-02394-00	38
22-02394-02	32, 33
22-02448-00SV	26, 28
22-1225	16, 17
22-1227	16, 17
22-50078-18	28
22-50098-91	26, 28
22-50098-91A	26, 28
22-50099-10	39
22-50099-11	39
22-62036-00	26, 28
22-62039-01	26, 28
22-62040-00	26, 28
25-3158	28
25-3160	26, 28
25-3161	28
25-3162	26

3

34-06062-70	12
34-06088-00	14
34-06088-01	12
34-06121-01	12
34-06121-03	37
34-06121-06	11
34-60098-66	29
34-62016-00	29
34-67009-00	19, 20, 21, 30, 31
34-67025-00	19, 20, 21, 30, 31
35-0011	38

4

40-00491-00	14, 37
40-00491-01	12
40-00491-08	12



40-00491-09	9, 37
40-00503-01	12
40-00503-03	9, 37
40-00503-06	11
40-00590-03	12
40-60007-03	11
40-60008-03	11
40-60008-04	9, 35, 37
40-60008-09	35
40-60009-03	11
40-60009-04	9, 35, 37
40-60010-03	8
40-60042-01	36
40-60145-00	9
40-62032-00	13
40-62032-01	11, 35
40-62125-08	35, 37
40-62129-00	11
40-64075-04	35
40-64075-06	35
40-64094-00	36
40-64094-09	36
40-64094-50	8
40-67004-00	12
40-67014-03	13, 37
42-00032-00	6, 7
42-00221-16	16
42-00243-00	14, 36
42-00243-01	12
42-00243-03	7, 8, 34, 36
42-00243-04	6, 8, 11
42-00243-09	6
42-00243-11	7
42-00243-12	34
42-00243-13	15, 34
42-62045-02	18
42-62164-00	12
42-62177-00	7
42-67009-06	3
42-67040-01	1

44-00285-71	36
44-00285-89	36
44-64008-52	35, 36
44-64008-53	35
44-64008-54	36
44-67014-00	29
46-0008	16, 17

5

54-00622-00	32, 33
54-00634-00	32
58-04315-00	32, 33, 38
58-60298-04	23, 24
58-60298-05	2, 16, 24
58-60302-01	29
58-60302-05	30, 31
58-60302-08	2
58-64105-02	35, 36
58-64105-03	35
58-64105-04	36

6

67-67013-00	2
68-62967-00	4, 5
68-67165-00	30, 31
68-67260-01	7
68-67260-02	6

7

73-67002-00	32, 33
-------------	--------

8

86-62597-00	1
86-67036-00	1
86-67149-00	29
86-67150-00	29
86-67151-00	19, 20, 21

A

AC101-203	34, 36
-----------	--------



AC201-901	26, 28
AC201-931	26, 28
AC801-202	36
AC801-203	35
AC801-217	13, 35
AC801-401	16

Y

Y24-00013	19, 20, 21
Y24-00057-00	29
Y24-00089-00	2
Y25-00001-03	26
Y25-00011-00	38
Y26-00005-00	36

Y26-00018-00	34
Y26-00018-01	34
Y26-00033-00	6
Y26-00033-03	7
Y28-00000-00	19
Y28-00000-01	19
Y28-00000-02	20
Y28-00000-03	20
Y28-00000-04	21
Y28-00000-05	21
Y38-00001	3
Y38-00012-00	4, 5
Y39-00006-00	2
Y47-00000-00	2

Every driver deserves the best possible vehicle climate with MCC products

MCC provides exceptional performance in mobile climate comfort.



www.mcc-hvac.com

Member of MCC Group • Certified ISO 9001 and ISO 14001.
Specifications subject to change without notice. MCC is a registered trademark.