

Bill of Materials Listing

TransArctic Canada Inc.

12/18/2006

Page 1 of 1

Product Number		Description	Bin	Date	Weight	Uof M	Yield
Line	Component Prod#	Description		Unit	Qty		
KMM64197		Mt Kit, 906, HDX ER, O5G, 2B, Retro Kit		5/10/2005	33.38		0
20	BMK70044	Bkt, Angle, Vert, Weldmt, HDX, C7		each	1		
30	BMK70049	Bkt, Angle, HOR, HDX, C7		each	1		
50	PUA05000	Pulley, Assy, Idler, B/S, 5", ALUM, Plt		each	1		
60	PUA05002	Pulley, Assy, Idler, AB gr, 5", ALUM,Plt		each	1		
70	PUL80074	Pulley, Idler, Backside, P8, 76d (89102)		each	1		
80	TEN00003	Tenr, Spring, Un-Direct, 90d, 1/2 x 4.5"		each	1		
90	SLV17012	Sleeve, Pulley, 16.9o x 22.23mm x 12.32i		each	3		
100	SCD12912	Spacer, Col, Drl,12.9 mm x 34.9o x 12.3i		each	1		
110	SCD42512	Spacer, Col, Drl,42.5mm x 34.9o x 12.3i		each	1		
120	SCD46012	Spacer, Col, Drl,46mm x 34.9o x 12.3i		each	1		
130	KBM64197	Bag Kit, Fasteners, KMM64197		each	1		

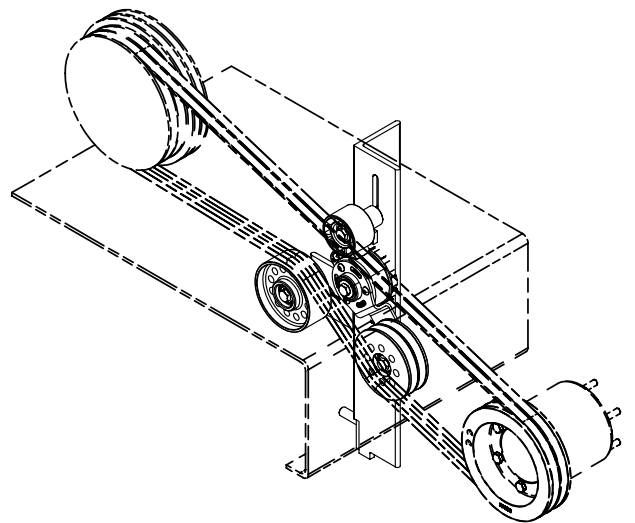
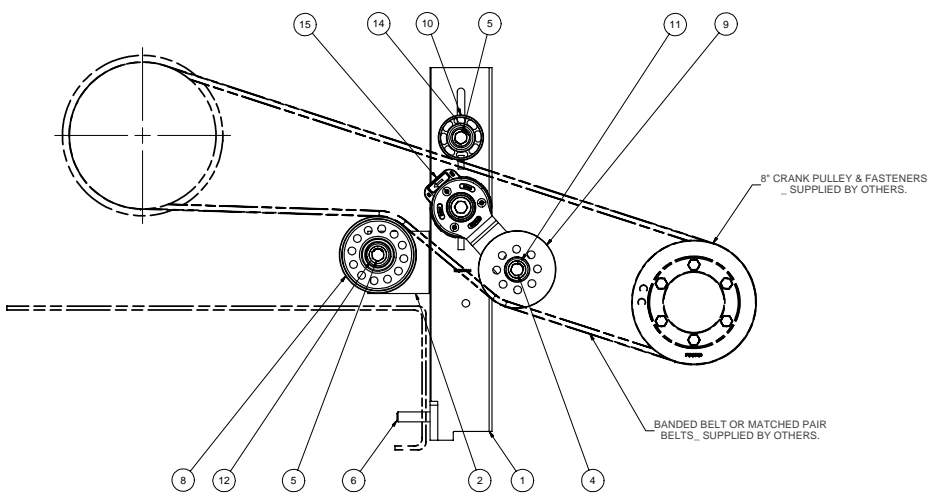
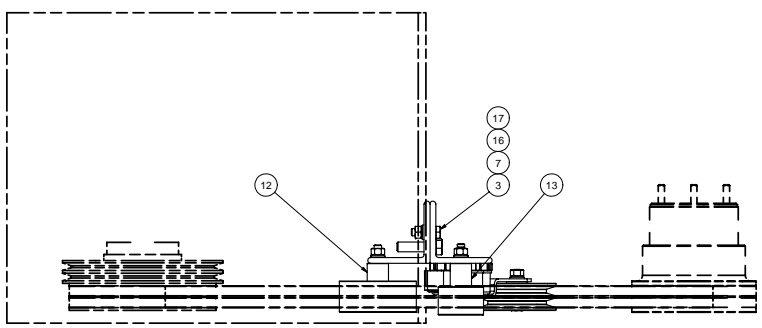
Bill of Materials Listing

TransArctic Canada Inc.

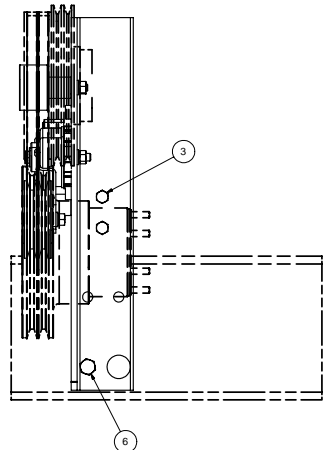
12/18/2006

Page 1 of 1

Product Number		Description	Bin	Date	Weight	Uof M	Yield
Line	Component Prod#	Description		Unit	Qty		
KBM64197		Bag Kit, Fasteners, KMM64197		5/12/2005		1.23	0
10	BTC12060	Bolt, Hex, 12 x 1.75 x 60mm, 10.9, Plt		each	1		
20	BTC12100	Bolt, Hex, 12 x 1.75 x 100mm, 10.9, Plt		each	3		
30	BTC12040	Bolt, Hex, 12 x 1.75 x 40mm, 10.9, Plt		each	2		
40	BTQ10250	Bolt, Hex, 5/8-11unc, 2.5", 8, PLT		each	1		
50	NTA12000	Nut, Hex, 12 x 1.75, 8.8, Plt		each	6		
60	WFA12000	Washer, Flat, 12mm, 8.8, Plt		each	6		
70	WLA12000	Washer, Lock, 12mm, 8.8, Plt		each	6		



ISOMETRIC VIEW



NOTES:
 1) USE SERVICABLE THREADLOCKER ON ALL FASTENERS TO ENGINE COMPONENTS AND TORQUE **ALL BOLTS** TO S.A.E. SPECIFICATIONS.
 2) SEE "TRANSARCTIC A/C COMPRESSOR MOUNT INSTALLATION DISCLAIMER".

ITEM	QTY	U/M	PART NUMBER	DESCRIPTION
17	6	EACH	WLA12000	WASHER, LOCK, 12mm, 8.8, FLT
16	6	EACH	WFA12000	WASHER, FLAT, 12mm, 8.8, FLT
15	1	EACH	TEN00003	TENR, SPRING, UN-DIRECT, 90d, 1/2 x 4.5"
14	3	EACH	SLV17012	SLEEVE, PULLEY, 16.9o x 22.23 mm x 12.19i
13	1	EACH	SCD46012	SPACER, COL, DRL 46mm x 34.9o x 12.3i
12	1	EACH	SCD42512	SPACER, COL, DRL 42.5mm x 34.9o x 12.3i
11	1	EACH	SCD12912	SPACER, COL, DRL 12.9 mm x 34.9o x 12.3i
10	1	EACH	PUL00074	PULLEY, IDLER, BACKSIDE, P8, 74D, 46.27W
9	1	EACH	PUA05002	PULLEY, ASSY, IDLER, AB gr, 5" ALUM, PLT
8	1	EACH	PUA05000	PULLEY, ASSY, IDLER, B/S, 5", ALUM, PLT
7	6	EACH	NTA12000	NUT, HEX, 12 x 1.75, 8.8, FLT
6	1	EACH	BTC10250	BOLT, HEX, 5/8-11UNC, 2.50", 8, FLT
5	3	EACH	BTC12100	BOLT, HEX, 12 x 1.75 x 100mm, 10.9, PLT
4	1	EACH	BTC12060	BOLT, HEX, 12 x 1.75 x 60mm, 10.9, PLT
3	2	EACH	BTC12040	BOLT, HEX, 12 x 1.75 x 40mm, 10.9, PLT
2	1	EACH	BMK70049	BKT, ANGLE, HOR, HDX, C7
1	1	EACH	BMK70044	BKT, ANGLE, VERT, WELDMT, HDX, C7

Bills of Material
TRANSARCTIC INC.

DRAWN	jstewart	1/5/2007	
CHECKED	Ron Ingram	1/5/2007	
RELEASED TO PRODUCTION	1/5/2007	VAL	
REV	DESCRIPTION	DATE	BY
1	James Stewart	1/5/2007	GA
2	Val Jakovlew	1/5/2007	MFS
3	Date Mason	1/5/2007	APPROVED

MT KIT, 906, HDX ER, O5G, 2B, RETROFIT
 SIZE DWG NO
 D KMM64197
 SCALE 1:1 SHEET 1 OF 1

UNSPECIFIED TOLERANCES:
 DIM DECIMAL PLACE (X) .00 .000
 DIM FRACTIONAL PLACE (X) .00 .000
 DIM FRACTIONAL PLACE (X) .00 .000
 ANGULAR ± .01



DRAWING UNIT OF MEASURE: MM (INCH)

TransArctic A/C Compressor Mount Installation Disclaimer

All compressor mounts should be installed by qualified and trained personnel using proper tools and equipment in safe working conditions following industry standard guidelines for motor vehicle service and repair.

The installer of any compressor mount purchased from TransArctic must undertake all responsibility of issues arising from that compressor bracket being installed on any vehicle. Mount functionality, operation and durability can all be compromised by an incompetent installation.

Due to the many different situations, parameters and application criteria, which are beyond the compressor mount manufacturer's control, TransArctic does not warrant design, durability, or operational functionality of any compressor mount improperly installed by another party.

With no implied guarantees it is the mount installer's strict responsibility to determine safety and functionality, of the compressor mount, at the time of installation.

Please contact TransArctic with any issue arising from installation so we may better improve the product. If you have any reservations about the compressor mount integrity contact TransArctic immediately at 1-877-COLD-AIR.