

# Bill of Materials Listing

TransArctic Canada Inc.

10/7/2021  
Page 1 of 1

Product Number	Date	Description	Uof M	Weight	Yield	
Line	Qty	Component Prod#	Rev#	Bin	Unit	
<b>KMC96668</b>	<b>10/17/2016</b>	<b>0 Mt Kit, ISL13, T3RE TM55/65, 24V, '22</b>			<b>1652.26</b>	<b>0</b>
10	1	BEL32210			each	
20	1	BMC83053			each	
30	1	BMC83054			each	
40	1	BMC83058			each	
50	1	BMC83074			each	
60	1	BMC83107			each	
70	1	BMC83109			each	
80	1	BMC83113			each	
90	1	BMC83116			each	
100	1	BMC83120			each	
110	1	BMC83122			each	
120	1	BMC90009			each	
130	2	CLP04000			each	
140	1	HOA04083			each	
150	1	KCB65502			each	
160	1	PUA05012			each	
170	1	PUL80074			each	
180	1	PUL89024			each	
190	1	SCD46012			each	
200	1	SCD48012			each	
210	2	SLV17012			each	
220	1	TUS04093			each	
230	1	KBC96668			each	

WILL REQUIRE TMP00002 (TEMPLATE).

# Bill of Materials Listing

TransArctic Canada Inc.

10/6/2021  
Page 1 of 1

Product Number	Date	Description	Uof M	Weight	Yield	
Line	Qty	Component Prod#	Rev#	Bin	Unit	
<b>KBC96668</b>	<b>10/17/2016</b>	<b>0</b>	<b>Bag Kit, Fasteners, KMC96668</b>		<b>3.53</b>	<b>0</b>
10	4	BTC08035			each	
20	2	BTC10035			each	
25	5	BTC10070			each	
30	5	BTC12040			each	
40	2	BTC12050			each	
50	2	BTC12100			each	
60	6	BTQ08126			each	
70	2	NTA10000			each	
80	9	NTA12000			each	
90	3	SCP03075			each	
100	4	WFA08000			each	
110	4	WFA10000			each	
120	16	WFA12000			each	
130	6	WFQ08000			each	
140	4	WLA08000			each	
150	2	WLA10000			each	
160	9	WLA12000			each	
170	6	WLQ08000			each	

# Bill of Materials Listing

TransArctic Canada Inc.

2/8/2022  
Page 1 of 1

Product Number	Date	Description			Uof M	Weight	Yield		
Line	Qty	Component	Prod#	Rev#	Description	Bin	Unit		
<b>KCB65502</b>		<b>10/13/16</b>		<b>0</b>	<b>Kit, Compressor, D/S, 24v, TM-65/55, '16</b>			<b>668.52</b>	<b>0</b>
10	2	BMN80008		1	Vibration Isolator, Bar, 16.50 x 2 x 1.50		each		
20	1	BMN80025		0	Bkt, Back, PL, Slide, IC, RE300		each		
30	1	BMZ00043		3	Bkt, Main, Base PI, '13		each		
40	1	KAC65502		3	Kit, Alternator, TM-65, Driver Side, '13		each		
50	1	KBT65501		0	Kit, Platform, P/S, TM-55/65, '16		each		
60	1	KBC65502		0	Bag Kit, Fasteners, KCB65502		each		

# Bill of Materials Listing

TransArctic Canada Inc.

10/6/2021  
Page 1 of 1

Product Number	Date	Description			Uof M	Weight	Yield		
Line	Qty	Component	Prod#	Rev#	Description	Bin	Unit		
<b>KBC65502</b>		<b>10/31/2016</b>		<b>0</b>	<b>Bag Kit, Fasteners, KCB65502</b>			<b>1.14</b>	<b>0</b>
10	1	BTP08653			Bolt, Hex, 1/2-13unc, 6.5", 5, Plt, FT		each		
20	3	BTQ08101			Bolt, Hex, 1/2-20unf, 1.00", 8, Plt		each		
30	2	BTQ08126			Bolt, Hex, 1/2-20unf, 1.25", 8, Plt		each		
40	1	CSF08076			Capscrew, FH, 1/2-20unf x .75",Alloy,Plt		each		
50	5	WFQ08000			Washer, Flat, 1/2", 8, Plt		each		
60	6	WLQ08000			Washer, Lock, 1/2", 8, Plt		each		

# Bill of Materials Listing

TransArctic Canada Inc.

2/8/2022  
Page 1 of 1

Product Number	Date	Description			Uof M	Weight	Yield
Line	Qty	Component	Prod#	Rev#	Description	Bin	Unit
<b>KAC65502</b>	<b>08/11/16</b>	<b>3 Kit, Alternator, TM-65, Driver Side, '13</b>				<b>31.53</b>	<b>0</b>
5	1	PAC12110			Pack, Carton, 12" x 11" x 5", 51 ECT		each
10	2	BEL11040			Belt, A gr, 1040mm (41")		each
20	1	BMC96663			1 Bkt, Main, Alt, Weldmt,ISL,TM-65/55,'13		each
40	2	BMT10011			0 Bkt, Tenr, Block, Offset, 3mm		each
50	1	PUL03321			1 Pulley, ALT, Idler, 3.25"d, 2A		each
55	1	KBA84064			0 Bag Kit, ALT Shim, KC84064, KAC65501/02		each
60	1	TRD08080			Threaded, Rod, 1/2-13unc x 8", 5, Plt		each
70	1	KBA65502			0 Bag Kit, Fasteners, KAC65502		

**NOTE:**

1) Use KBA84064 "Shim bag kit", as required, to align the Alternator correctly.

# Bill of Materials Listing

TransArctic Canada Inc.

10/6/2021  
Page 1 of 1

Product Number	Date	Description			Uof M	Weight	Yield		
Line	Qty	Component	Prod#	Rev#	Description	Bin	Unit		
<b>KBA65502</b>	<b>8/10/2016</b>	<b>0</b>	<b>Bag Kit, Fasteners, KAC65502</b>					<b>1.52</b>	<b>0</b>
10	4	BTC12035			Bolt, Hex, 12 x 1.75 x 35mm, 10.9,Plt,FT		each		
20	1	BTQ08150			Bolt, Hex, 1/2-13unc, 1.5", 8, Plt		each		
30	1	BTQ08200			Bolt, Hex, 1/2-13unc, 2.0", 8, Plt		each		
40	1	BTQ08653			Bolt, Hex, 1/2-13unc, 6.5", 8, Plt		each		
50	6	NTQ08000			Nut, Hex, 1/2-13unc, 8, Plt		each		
60	4	WFA12000			Washer, Flat, 12mm, 8.8, Plt		each		
70	4	WFQ08000			Washer, Flat, 1/2", 8, Plt		each		
80	4	WLA12000			Washer, Lock, 12mm, 8.8, Plt		each		
90	5	WLQ08000			Washer, Lock, 1/2", 8, Plt		each		

# Bill of Materials Listing

TransArctic Canada Inc.

2/4/2022  
Page 1 of 1

Product Number	Date	Description		Uof M	Weight	Yield	
Line	Qty	Component Prod#	Rev#	Description	Bin	Unit	
<b>KBA84064</b>	<b>10/19/21</b>	<b>0</b>		<b>Bag Kit, ALT Shim, KC84064, KAC65501/02</b>		<b>0.09</b>	<b>0</b>
10	1	SCD03613	0	Spacer, Col, Drl, 3.56mm x 25.4o x12.7i	Alley	each	
20	2	WFA14000		Washer, Flat, 14mm, 8.8, Plt		each	
30	2	WFQ08000		Washer, Flat, 1/2", 8, Plt		each	

**NOTE:**

1) Use (1) SCD03613, (2) WFA14000, (2) WFQ08000, in any arrg'mt/qtys as required to align the Alternator correctly.

# Bill of Materials Listing

TransArctic Canada Inc.

10/6/2021  
Page 1 of 1

Product Number	Date	Description		Uof M	Weight	Yield	
Line	Qty	Component Prod#	Rev#	Description	Bin	Unit	
<b>KBT65501</b>		<b>8/10/2016</b>	<b>0</b>	<b>Kit, Platform, P/S, TM-55/65, '16</b>		<b>179.69</b>	<b>0</b>
5	1	PAC15110		Pack, Carton, 15" x 11" x 10", 51 ECT		each	
10	1	BMN80031		0 Bkt, Main, Slide, Assy, 05K, IC, RE300		each	
20	1	BMZ00056		0 Bkt, Comp, FRT, Z, TM-65/55, '13		each	
30	1	BMZ00057		0 Bkt, Comp, Rear, Z, TM-65/55, '13		each	
40	1	KBZ65501		0 Bag Kit, Fasteners, KBT65501		each	

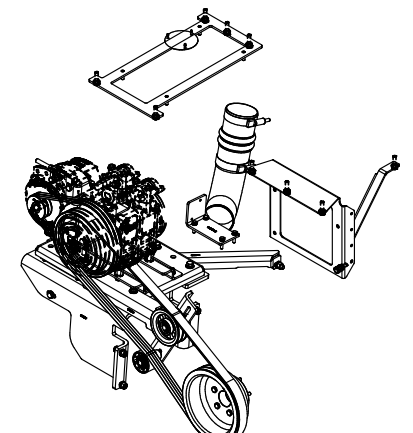
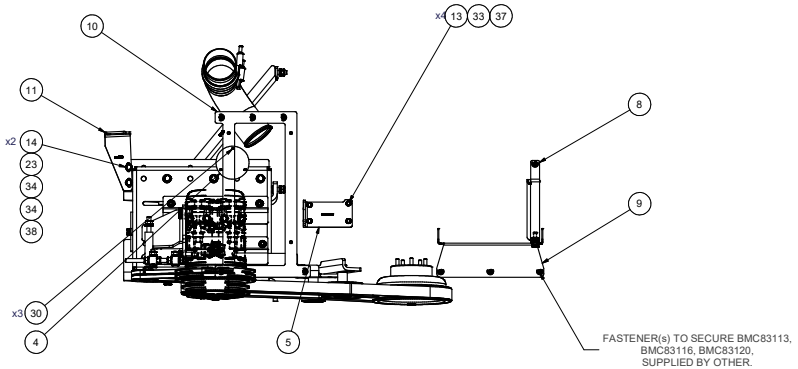


# Bill of Materials Listing

TransArctic Canada Inc.

10/6/2021  
Page 1 of 1

Product Number	Date	Description			Uof M	Weight	Yield		
Line	Qty	Component	Prod#	Rev#	Description	Bin	Unit		
<b>KBZ65501</b>	<b>8/10/2016</b>	<b>0</b>	<b>Bag Kit, Fasteners, KBT65501</b>					<b>0.69</b>	<b>0</b>
10	4	BTC12035			Bolt, Hex, 12 x 1.75 x 35mm, 10.9,Plt,FT		each		
20	4	NTP07000			Nut, Hex, 7/16-14unc, 5, Plt		each		
30	4	WFA12000			Washer, Flat, 12mm, 8.8, Plt		each		
40	4	WFN07000			Washer, Flat, 7/16", 2, Plt		each		
50	4	WLA12000			Washer, Lock, 12mm, 8.8, Plt		each		
60	4	WLQ07000			Washer, Lock, 7/16", 8, Plt		each		

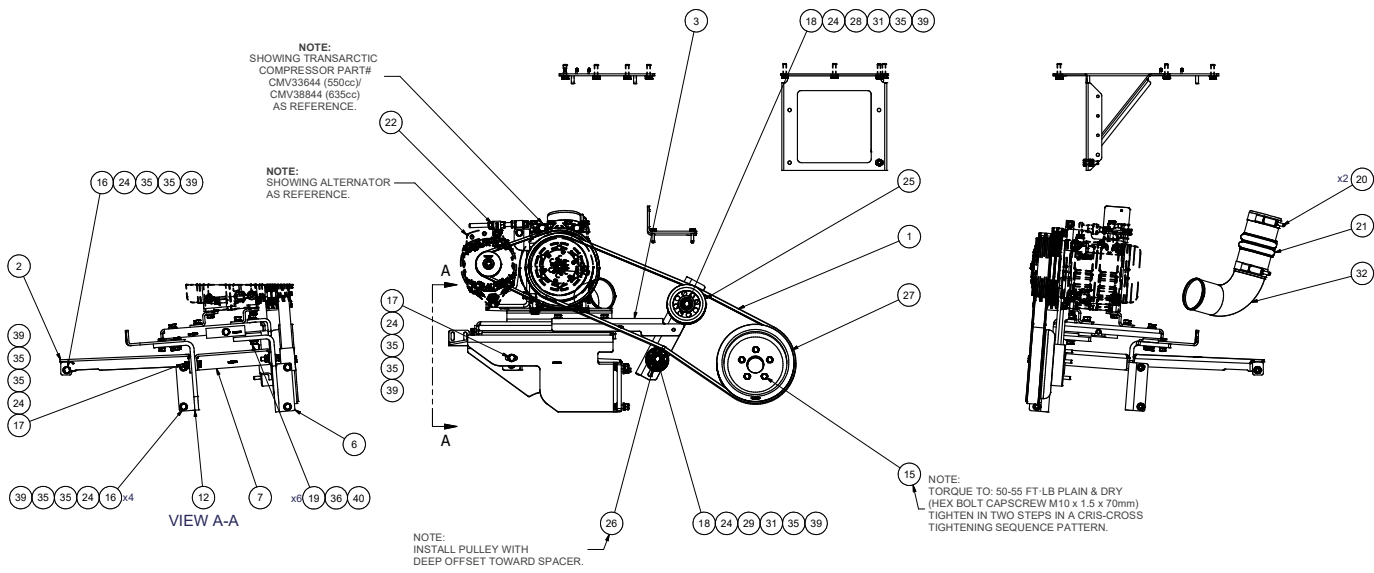


ISOMETRIC VIEW

ITEM	QTY	U/M	PART NUMBER	DESCRIPTION
40	6	EACH	WLQ08000	WASHER, LOCK, 1/2", 8, PLT
39	9	EACH	WLA12000	WASHER, LOCK, 12mm, 8.8, PLT
38	2	EACH	WLA10000	WASHER, LOCK, 10mm, 8.8, PLT
37	4	EACH	WLA08000	WASHER, LOCK, 8mm, 8.8, PLT
36	6	EACH	WFC08000	WASHER, FLAT, 1/2", 8, PLT
35	16	EACH	WFA12000	WASHER, FLAT, 12mm, 8.8, PLT
34	4	EACH	WFA10000	WASHER, FLAT, 10mm, 8.8, PLT
33	4	EACH	WFA08000	WASHER, FLAT, 8mm, 8.8, PLT
32	1	EACH	TUS04093	TUBE, STL, EXH, 4"o.d., 90 deg ELB, 8 x 8
31	2	EACH	SLV17012	SLEEVE, PULLEY, 16.9o x 22.23 mm x12.19l
30	3	EACH	SCP03075	SCREW, PH, SDT, #10-16 x .75, ST, PLT
29	1	EACH	SCD48012	SPACER, COL, DRL, 48mm x 31.8o x 12.0l
28	1	EACH	SCD46012	SPACER, COL, DRL, 46mm x 31.8o x 12.0l
27	1	EACH	PUL89024	PULLEY, CRANK, ADD-ON, ISL, 28, 21
26	1	EACH	PUL80074	PULLEY, IDLER, BACKSIDE, PB, 74o, 46.27W
25	1	EACH	PIA05012	PULLEY, ASSY, IDLER, B/BX gr, 5" STL, PLT
24	9	EACH	NTA12000	NUT, HEX, 12 x 1.75, 8.8, PLT
23	2	EACH	NTA10000	NUT, HEX, 10 x 1.5, 8.8, PLT
22	1	EACH	KCB65502	KIT, COMPRESSOR, D/S, 24V, TM-65/55, 16
21	1	EACH	HOA04083	HOSE, FLEX, CAC, 4.0d x 8.0, 3 RING
20	2	EACH	CLP04000	CLAMP, T BOLT, SPRING, 4", CAC
19	6	EACH	BTQ08126	BOLT, HEX, 1/2-20UNF x 1.25, 8, PLT
18	2	EACH	BTCT2100	BOLT, HEX, 12 x 1.75 x 100mm, 10.9, PLT
17	2	EACH	BTCT2050	BOLT, HEX, 12 x 1.75 x 50mm, 10.9, PLT
16	5	EACH	BTCT2040	BOLT, HEX, 12 x 1.75 x 40mm, 10.9, PLT
15	5	EACH	BTCT10070	BOLT, HEX, 10 x 1.5 x 70mm, 10.9, PLT
14	2	EACH	BTCT10035	BOLT, HEX, 10 x 1.5 x 35mm, 10.9, PLT
13	4	EACH	BTCT08035	BOLT, HEX, 8 x 1.25 x 35mm, 10.9, PLT
12	1	EACH	BMC90009	BKT, MAIN, RR SUPPORT, CNG, T3RE, 13
11	1	EACH	BMC83122	BKT, EXHAUST, ADAPTER, T3RE, 13
10	1	EACH	BMC83120	BKT, WELDMT, SUP, A.F HOUSING, T3RE, 13
9	1	EACH	BMC83116	BKT, SUPPORT, PDU PANEL, T3RE, 13
8	1	EACH	BMC83113	BKT, BRACE RR/RS, PDU PANEL, T3RE, 13
7	1	EACH	BMC83109	BKT, MAIN, LATERAL BRACE, T3RE, 13
6	1	EACH	BMC83107	BKT, MAIN, FRT SUPPORT, T3RE, 13
5	1	EACH	BMC83074	BKT, RELAY, ISC, D3RE, 2010
4	1	EACH	BMC83058	BKT, COVER, LIGHT PL, MFDT, RE300
3	1	EACH	BMC83054	BKT, MAIN, IDLER, WELDMT, RE300
2	1	EACH	BMC83053	BKT, DIAG, BRACE RR, MFDT, RE300
1	1	EACH	BEL32210	BELT, BANDED B Gr, 2210mm (87")

NOTE:  
SHOWING TRANSARCTIC  
COMPRESSOR PART#  
CMV33844 (550cc)  
CMV38844 (635cc)  
AS REFERENCE.

NOTE:  
SHOWING ALTERNATOR  
AS REFERENCE.



VIEW A-A

NOTE:  
INSTALL PULLEY WITH  
DEEP OFFSET TOWARD SPACER.

NOTES:  
1) USE SERVICABLE THREADLOCKER ON ALL FASTENERS TO ENGINE COMPONENTS AND TORQUE ALL BOLTS TO S.A.E. SPECIFICATIONS.  
2) SEE "TRANSARCTIC A/C COMPRESSOR MOUNT INSTALLATION DISCLAIMER".

REV	ECN	DESCRIPTION	DATE	BY	APP
0		RELEASED TO PRODUCTION	10/06/21	VAL	OR
				James Stewart	10/06/2021
				James Stewart	10/06/2021
				Dale Mason	10/06/2021

DRAWN: vjakowlew 10/6/2021  
CHECKED: Jose Rodriguez 10/6/2021  
DATE: 10/6/2021  
BY: James Stewart  
APPROVED: Dale Mason 10/6/2021

**TRANSARCTIC INC.**

MT KIT, ISL13, T3RE TM-65/55, 12/24V '22

SCALE: 1:8

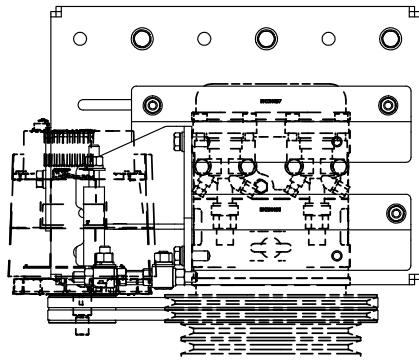
DWG NO: KMC96668

SHEET 1 OF 1

UNSPECIFIED TOLERANCES:	ALL DIMS	FRONT
ONE DECIMAL PLACE (X1)	20	VIEW
TWO DECIMAL PLACE (X2)	25	VIEW
THREE DECIMAL PLACE (X3)	30	VIEW
FRACTIONAL (X1/8)	32	VIEW

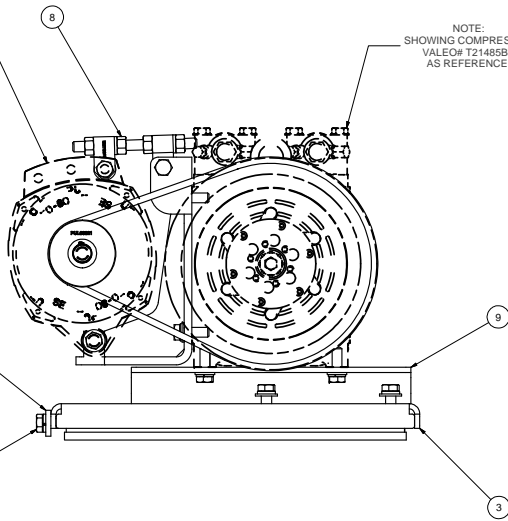


DRAWING UNIT OF MEASURE: MM (INCH)



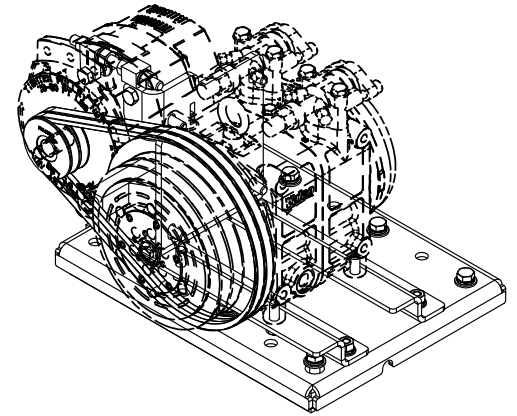
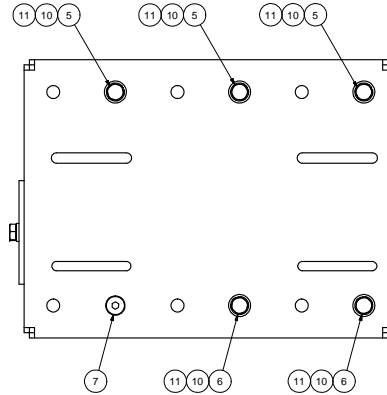
NOTE:  
SHOWING ALTERNATOR  
AS REFERENCE.

NOTE:  
SHOWING COMPRESSOR  
VALVE# T21485BY  
AS REFERENCE.

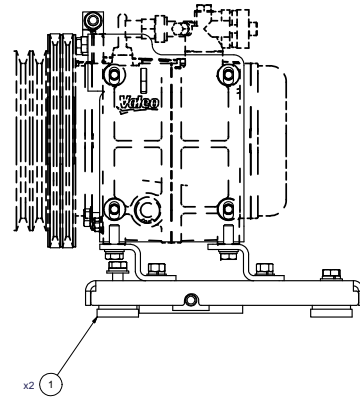


**TOP VIEW**

PARTS REMOVED FOR  
CLARITY.



ISOMETRIC VIEW



**NOTES:**

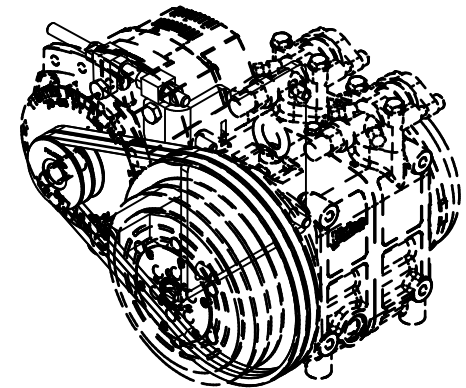
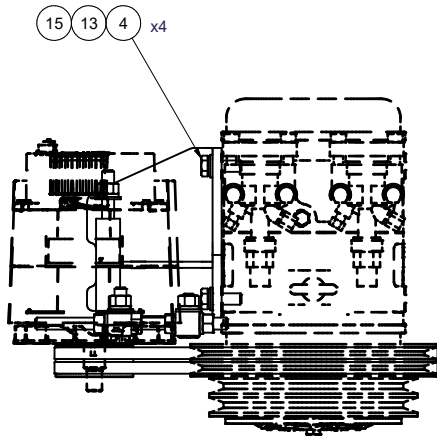
- 1) USE SERVICABLE THREADLOCKER ON ALL FASTENERS TO ENGINE COMPONENTS AND TORQUE **ALL** BOLTS TO S.A.E. SPECIFICATIONS.
- 2) SEE "TRANSARCTIC A/C COMPRESSOR MOUNT INSTALLATION DISCLAIMER".
- 3) WEIGHT: 68.75LBS.

ITEM	QTY	U/M	PART NUMBER	DESCRIPTION
11	6	EACH	WLO08000	WASHER, LOCK, 1/2", 8, PLT
10	5	EACH	WF008000	WASHER, FLAT, 1/2", 8, PLT
9	1	EACH	KBT65501	KIT, PLATFORM, P/S, TM-55/65, '16
8	1	EACH	KAC65502	KIT, ALTERNATOR, TM-65, DRIVER SIDE, '13
7	1	EACH	CSF08076	CAPSCREW, FH, 1/2-20UNF x .75", ALLOY, PLT
6	2	EACH	BTQ08126	BOLT, HEX, 1/2-20UNF x 1.25, 8, PLT
5	3	EACH	BTQ08101	BOLT, HEX, 1/2-20UNF x 1.00, 8, PLT
4	1	EACH	BTQ08653	BOLT, HEX, 1/2-13UNC x 6.50, 5, PLT, FT
3	1	EACH	BMZ00043	BKT, MAIN, BASE PL, '13
2	1	EACH	BMN80025	BKT, BACK, PL, SLIDE, IC, RE300
1	2	EACH	BMN80008	VIBRATION ISOLATOR, BAR, 1x.50 x 2 x 1.50

**BILL OF MATERIALS**

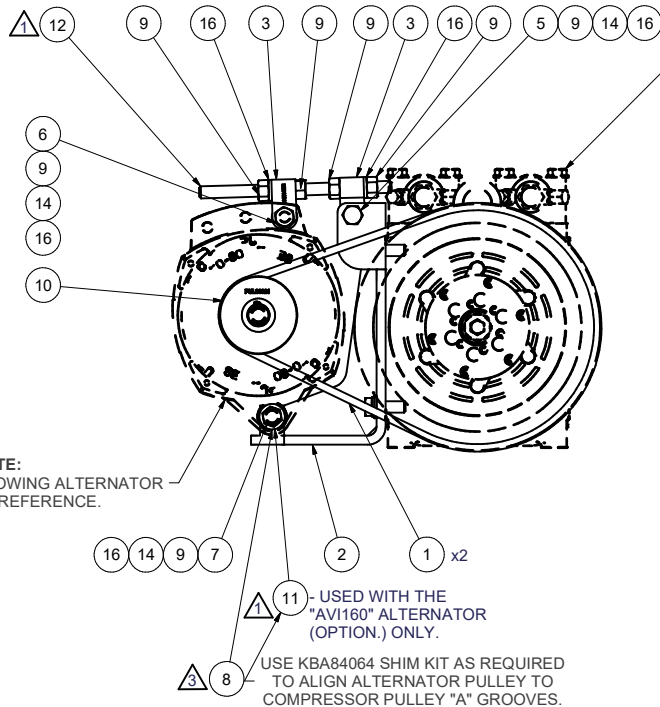
DRAWN		10/13/2016		<b>TRANSARCTIC INC.</b>
jrodriquez		10/13/2016		
CHECKED		10/13/2016		TITLE
Val_Jakowlew		10/13/2016		
REVISION		DESCRIPTION:	DATE:	BY:
1	RELEASED TO PRODUCTION	10/13/2016	JRK	GA
APPROVED		10/13/2016		KIT, COMPRESSOR, D/S, 24V, TM-65/55, '16
James Stewart		10/13/2016		
DATE		10/13/2016		DWG NO
Dale Mason		10/13/2016		
UNSPECIFIED TOLERANCES:		MM (INCH)		REV
ONE DECIMAL PLACE (X.0)		.005		
TWO DECIMAL PLACE (X.00)		.002		0
THREE DECIMAL PLACE (X.000)		.001		
FRACTIONAL (1/16")		.001		KCB65502
ANGULAR (± .01°)		± .01°		
DRAWING UNIT OF MEASURE:		MM (INCH)		SHEET 1 OF 1
SCALE:		1:3		

UNSPECIFIED TOLERANCES:	MM (INCH)
ONE DECIMAL PLACE (X.0)	.005
TWO DECIMAL PLACE (X.00)	.002
THREE DECIMAL PLACE (X.000)	.001
FRACTIONAL (1/16")	.001
ANGULAR (± .01°)	± .01°
THIRD ANGLE PROJECTION	

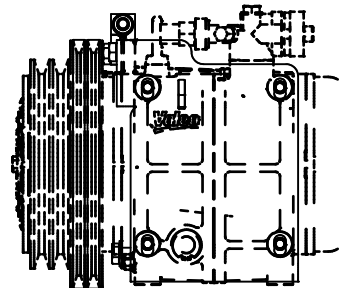


ISOMETRIC VIEW

NOTE:  
SHOWING TRANSARCTIC  
COMPRESSOR PART#  
CMV33644 (550cc)/  
CMV38844 (635cc)  
AS REFERENCE.



NOTE:  
SHOWING ALTERNATOR  
AS REFERENCE.



NOTES:

- 1) USE SERVICABLE THREADLOCKER ON ALL FASTENERS TO ENGINE COMPONENTS AND TORQUE ALL BOLTS TO S.A.E. SPECIFICATIONS.
- 2) SEE "TRANSARCTIC A/C COMPRESSOR MOUNT INSTALLATION DISCLAIMER".
- 3) WEIGHT: 18.11 LB

16	5	EACH	WLVQ08000	WASHER, LOCK, 1/2", 8, PLT
15	4	EACH	WLA12000	WASHER, LOCK, 12mm, 8.8, PLT
14	4	EACH	WFO08000	WASHER, FLAT, 1/2", 8, PLT
13	4	EACH	WFA12000	WASHER, FLAT, 12mm, 8.8, PLT
12	1	EACH	TRD08080	THREADED, ROD, 1/2-13UNC x 8", 5 PLT
11	1	EACH	SCD05513	SPACER, COL, DRL, 5.51mm x 25.4o x 12.7i
10	1	EACH	PUL03321	PULLEY, ALT, IDLER, 3.25"o, 2A
9	7	EACH	NTQ08000	NUT, HEX, 1/2-13UNC, 8, PLT
8	1	EACH	KBA84064	BAG KIT, ALT SHIM, KC84064, KAC65501/02
7	1	EACH	BTQ08653	BOLT, HEX, 1/2-13UNC x 6.50, 8, PLT
6	1	EACH	BTQ08200	BOLT, HEX, 1/2-13UNC x 2.00, 8, PLT
5	1	EACH	BTQ08150	BOLT, HEX, 1/2-13UNC x 1.50, 8, PLT
4	4	EACH	BTC12035	BOLT, HEX, 12 x 1.75 x 35mm, 10.9, PLT
3	2	EACH	BMT10011	BKT, TENR, BLOCK, OFFSET, 3mm
2	1	EACH	BMC96663	BKT, MAIN, ALT, WELDM'T, ISL, TM-65/55, '13
1	2	EACH	BEL11118	BELT, A gr, 1040mm (41")
ITEM	QTY	U/M	PART NUMBER	DESCRIPTION

BILL OF MATERIALS

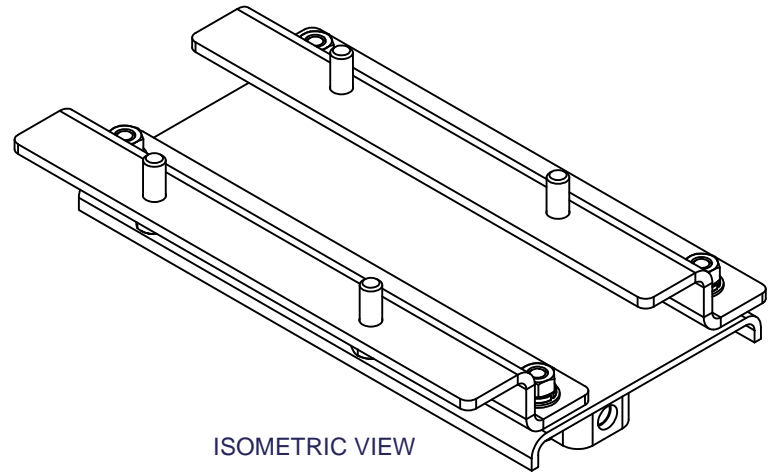
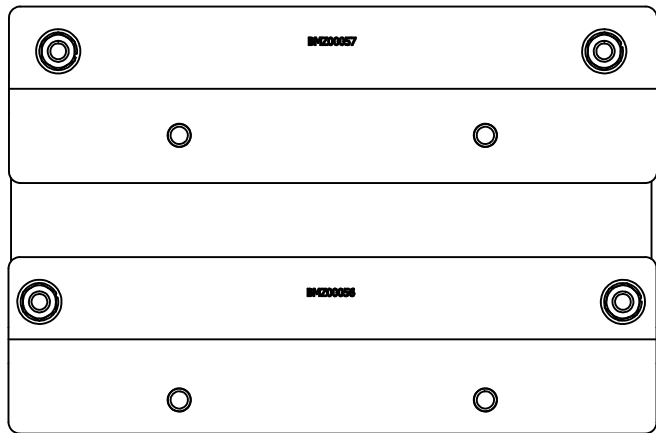
DRAWN	vjakowlew	10/04/16
CHECKED	Jose Rodriguez	10/04/16
QA	James Stewart	10/4/2016
MFG	James Stewart	10/04/16
APPROVED	Dale Mason	10/04/16

**TRANSARCTIC INC.**

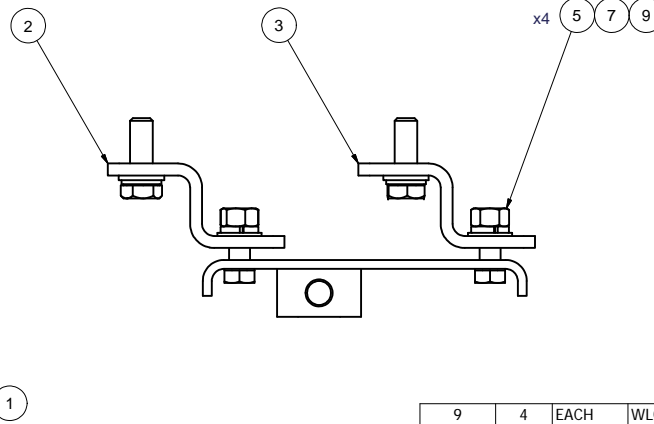
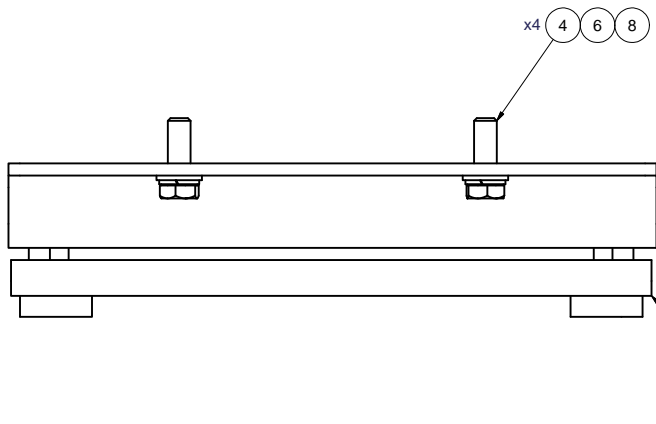
TITLE  
KIT, ALTERNATOR, TM-65, DRIVER  
SIDE, '13

SIZE	C	DWG NO	KAC65502	REV	3
SCALE	1:4	SHEET	1	OF	1

3	ADDED KBA84064 SHIM BAG KIT.	02/03/2022	VALJ	
2	WAS KBA96663 FASTENER BAG KIT.	10/11/2021	JRR	
1	WAS TRD08060 ADDED SCD05513	05/11/2021	VALJ	
0	RELEASED TO PRODUCTION.	10/4/2016	JRR	
REV:	ECN:	DESCRIPTION:	DATE:	BY:
THIS DRAWING CONTAINS PROPRIETARY CONFIDENTIAL INFORMATION OWNED BY TRANSARCTIC CANADA INC. THE DOCUMENT AND THE INFORMATION IN IT ARE NOT TO BE USED, DISCLOSED OR REPRODUCED WITHOUT EXPRESS WRITTEN PERMISSION OF THE COMPANY.				
UNSPECIFIED TOLERANCES: [ALT. DIM.]				
ONE DECIMAL PLACE (X)	MM	(INCH)		
TWO DECIMAL PLACE (XX)	.25	(.010)		
THREE DECIMAL PLACE (XXX)	.10	(.005)		
FRACTIONAL +/- .002"	ANGULAR +/- .50°			
THIRD ANGLE PROJECTION				
DRAWING UNIT OF MEASURE: MM (INCH)				



ISOMETRIC VIEW



**NOTES:**

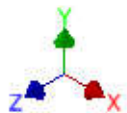
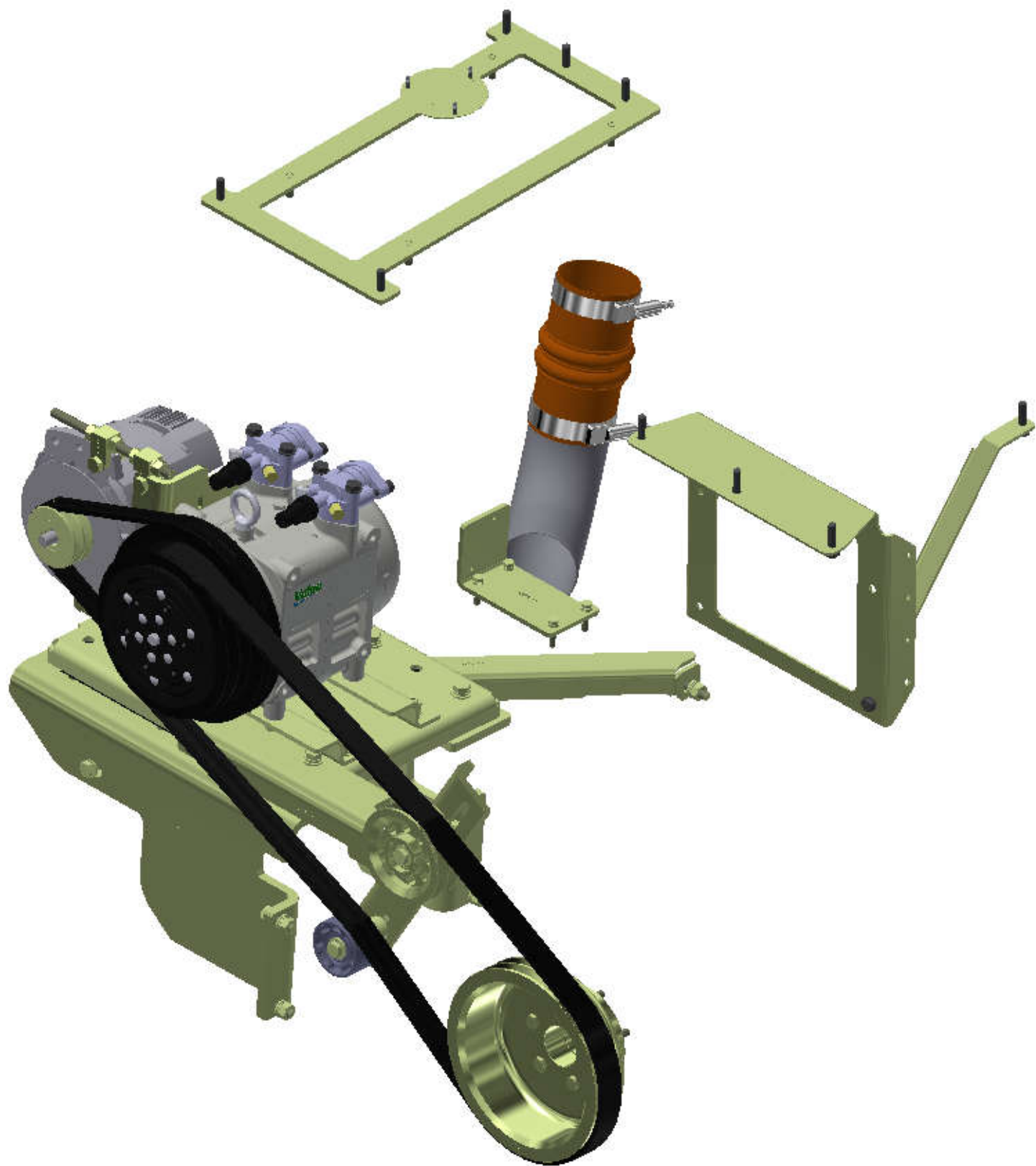
- 1) USE SERVICABLE THREADLOCKER ON ALL FASTENERS TO ENGINE COMPONENTS AND TORQUE **ALL** BOLTS TO S.A.E. SPECIFICATIONS.
- 2) SEE "TRANSARCTIC A/C COMPRESSOR MOUNT INSTALLATION DISCLAIMER".
- 3) WEIGHT: 16.47 LBS.

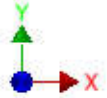
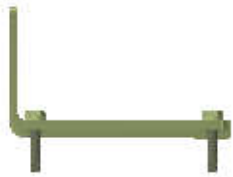
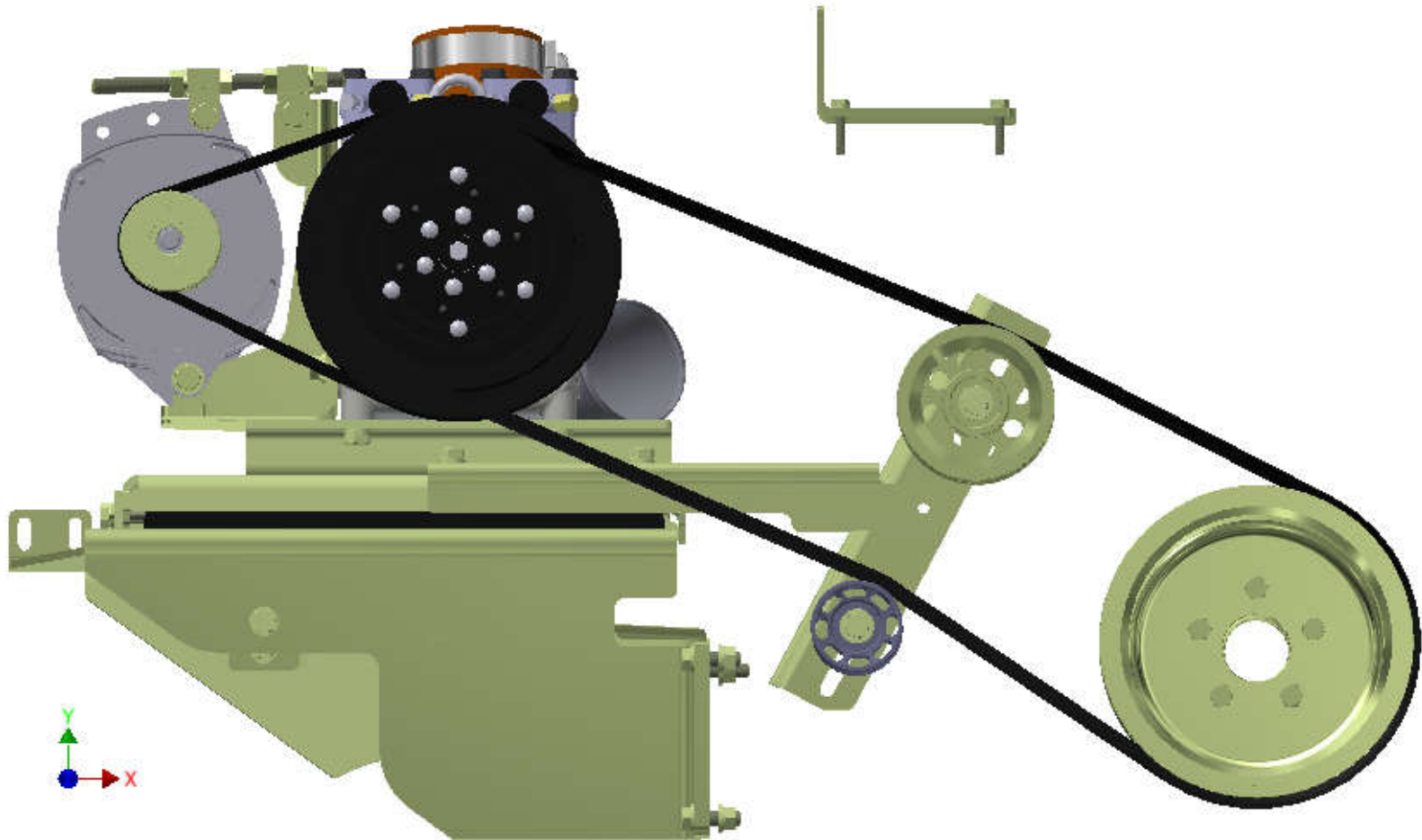
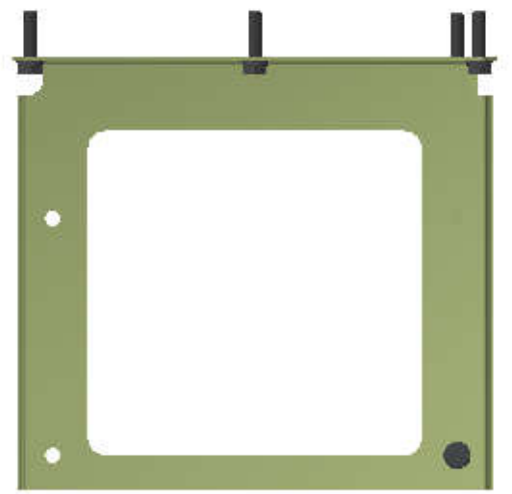
ITEM	QTY	U/M	PART NUMBER	DESCRIPTION
9	4	EACH	WLQ07000	WASHER, LOCK, 7/16", 8, PLT
8	4	EACH	WLA12000	WASHER, LOCK, 12mm, 8.8, PLT
7	4	EACH	WFN07000	WASHER, FLAT, 7/16", 2, PLT
6	4	EACH	WFA12000	WASHER, FLAT, 12mm, 8.8, PLT
5	4	EACH	NTP07000	NUT, HEX, 7/16-14UNC, 5, PLT
4	4	EACH	BTC12035	BOLT, HEX, 12 x 1.75 x 35mm, 10.9, PLT
3	1	EACH	BMZ00057	BKT, COMP, REAR, Z, TM-65/55, '13
2	1	EACH	BMZ00056	BKT, COMP, FRT, Z, TM-65/55, '13
1	1	EACH	BMN80031	BKT, MAIN, SLIDE, ASSY, 05K, IC, RE300

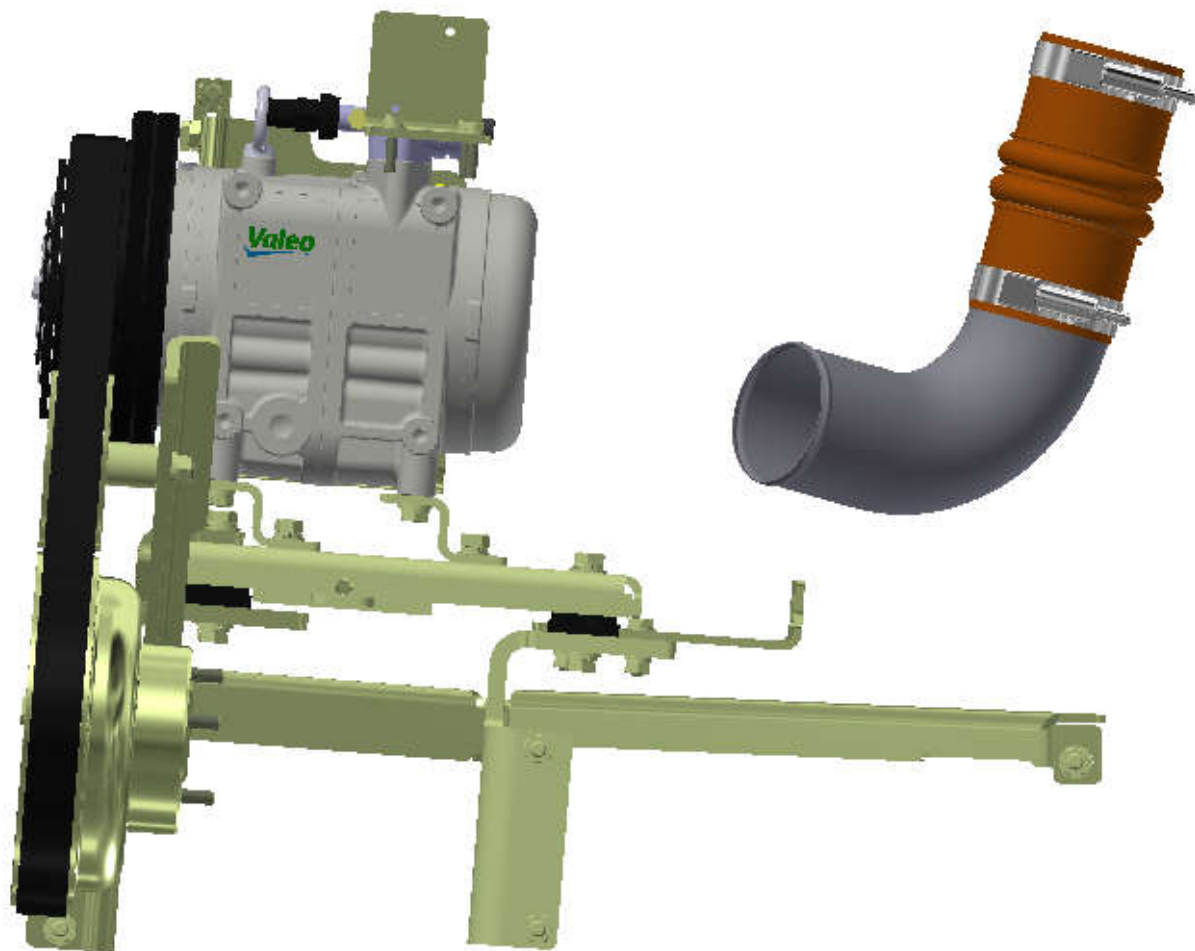
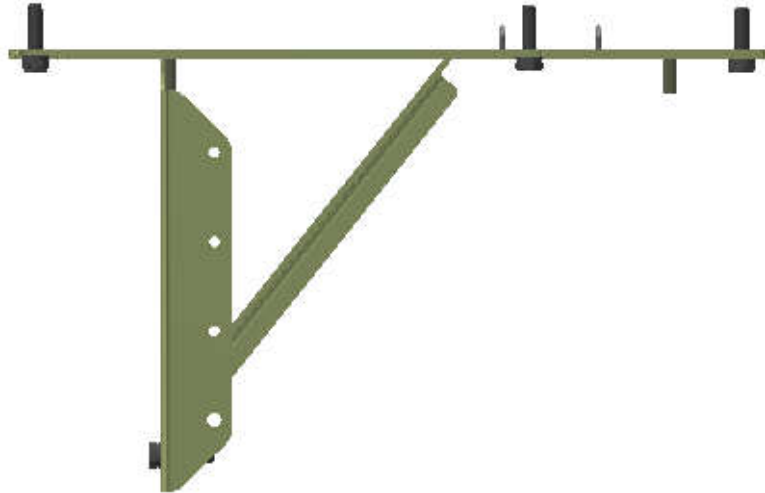
**BILL OF MATERIALS**

DRAWN	jrodriguez	8/8/2016	<b>TRANSARCTIC INC.</b>
CHECKED	Val Jakowlew	8/8/2016	
APPROVED	James Stewart	8/8/2016	
MFG	James Stewart	8/8/2016	
TITLE			<b>KIT, PLATFORM, P/S, TM-55/65, '16</b>
DRAWING UNIT OF MEASURE:			
SIZE	C	DWG NO	REV
SCALE	1:2	KBT65501	0
SHEET 1 OF 1			

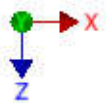
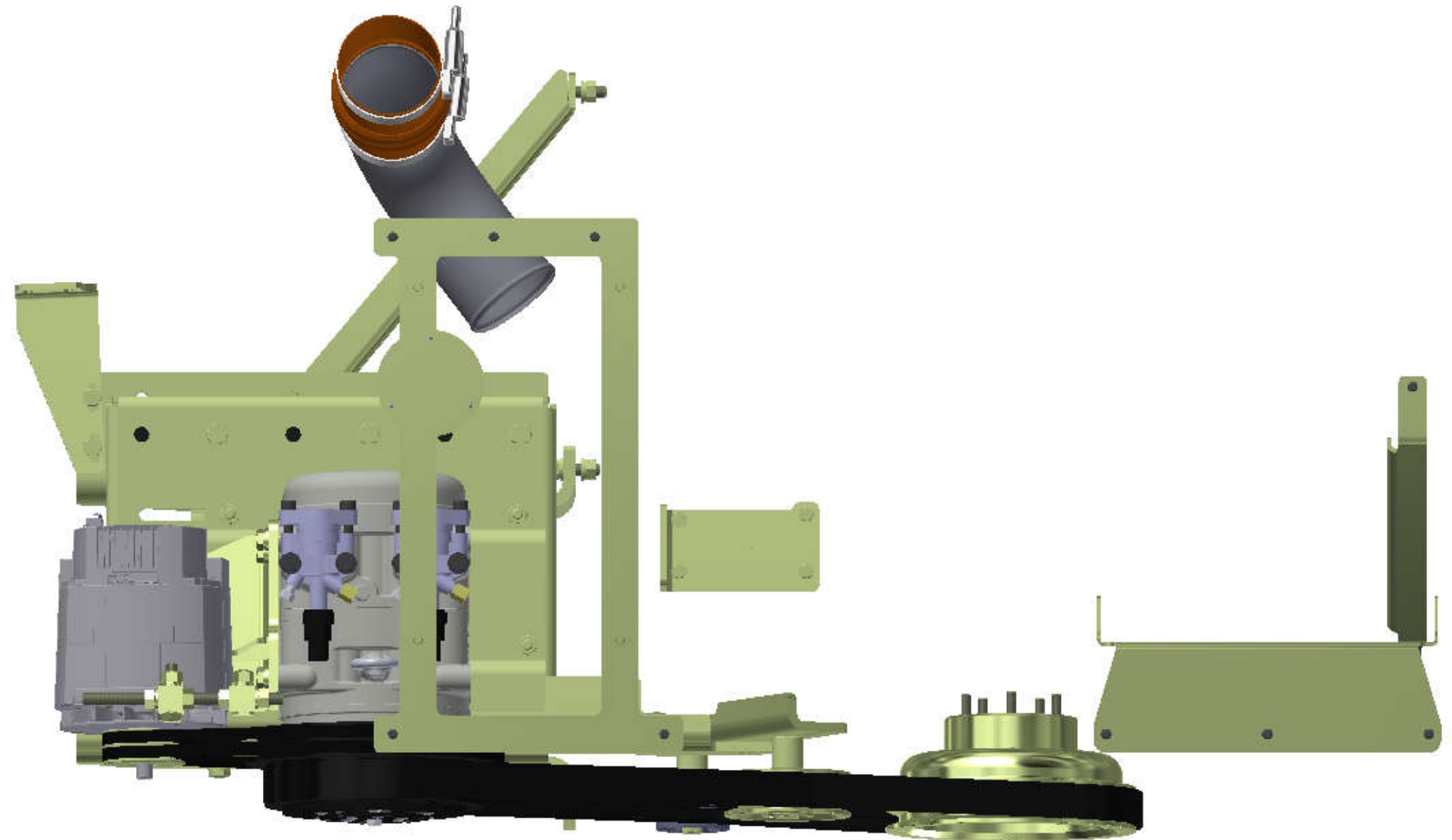
0	RELEASED TO PRODUCTION	8/8/2016	JRR
REV	ECN	DESCRIPTION	DATE
THIS DRAWING CONTAINS PROPRIETARY CONFIDENTIAL INFORMATION OWNED BY TRANSARCTIC CANADA INC. THE DOCUMENT AND THE INFORMATION IN IT ARE NOT TO BE USED, DISCLOSED OR REPRODUCED WITHOUT EXPRESS WRITTEN PERMISSION OF THE COMPANY.			
<b>UNSPECIFIED TOLERANCES:</b> (ALT. DIM.)			
ONE DECIMAL PLACE (.X)	MM	(.020)	
TWO DECIMAL PLACE (.XX)	MM	(.010)	
THREE DECIMAL PLACE (.XXX)	MM	(.005)	
FRACTIONAL +/- .102"	ANGULAR	+/- .50°	
THIRD ANGLE PROJECTION			











## **TransArctic A/C Compressor Mount Installation Disclaimer**

All compressor mounts should be installed by qualified and trained personnel using proper tools and equipment in safe working conditions following industry standard guidelines for motor vehicle service and repair.

The installer of any compressor mount purchased from TransArctic must undertake all responsibility of issues arising from that compressor bracket being installed on any vehicle. As well as insure that a **proper and sufficient ground** is established between the compressors' clutches and the vehicle's engine. Mount functionality, operation and durability can all be compromised by an incompetent installation.

Due to the many different situations, parameters and application criteria, which are beyond the compressor mount manufacturer's control, TransArctic does not warrant design, durability, or operational functionality of any compressor mount improperly installed by another party.

**With no implied guarantees it is the mount installer's strict responsibility to determine safety and functionality, of the compressor mount, at the time of installation.**

Please contact TransArctic with any issue arising from installation so we may better improve the product. If you have any reservations about the compressor mount integrity contact TransArctic immediately at 1-877-COLD-AIR.

**Mark OEM tensioner location**

**Install Kit**

**Check for Interferences**

**Check to ensure that the proper OEM tensioner orientation is maintained**

**Run engine with A/C system engaged for at least 10 minutes to run in belt**

**Check OEM tensioner orientation and adjust as required**

### **Responsabilidad limitada de TransArctic en la instalación del soporte del compresor**

Todos los soportes de los compresores deben ser instalados por personas calificadas y entrenadas, usando para ello los equipos y herramientas necesarios para esta labor en buenas condiciones y según las normas y guías para el servicio y/o reparación de motores de vehículos.

El instalador de los soportes comprados en TransArctic asume toda la responsabilidad de cualquier problema que surga en el soporte del compresor al vehículo; de igual manera es responsable que el cable a tierra sea conectado entre el embrague del compresor y el motor del vehículo.

Se advierte que el buen funcionamiento y la durabilidad del soporte pueden ser comprometidos por defectos en su instalación.

Debido a las diversas situaciones que se puedan presentar fuera del control del fabricante, TransArctic no garantiza el diseño, la durabilidad o el correcto funcionamiento de cualquier equipo inapropiadamente instalado por terceros.

**Esta sobreentendido que el Instalador del montaje del compresor es estrictamente responsable de la seguridad y funcionamiento del equipo en el momento de la instalación.**

Si tuviera algún problema o duda acerca de la instalación del soporte del compresor pongase en contacto inmediatamente con TransArctic al teléfono 1-877-COLD-AIR de modo que podamos mejorar nuestro producto.

**Note la ubicación del medidor de tensión OEM**

**Instale el equipo**

**Controlar si hay interferencias.**

**Asegurese que el medidor de tensión mantenga la orientación justa.**

**Encienda el motor por lo menos 10 minutos con el sistema A/C enganchado para que la correa corra**

**Controle la orientación justa del medidor de tensión y ajuste a las condiciones requeridas del fabricante**