



SERVICE PARTS LIST
for
SPLIT SYSTEMS
COMPRESSORS

T-299PL Compressors

REV. 03/2022



TABLE OF CONTENTS

INTRODUCTION ii

ORDERING INSTRUCTIONS ii

GENERAL NOTES ii

SECTION 1 - COMPRESSORS 1

1.1 MOUNTING IDENTIFICATION 1

1.2 CLUTCH IDENTIFICATION 1

1.3 MANIFOLD IDENTIFICATION 2

1.4 SANDEN SD7H15, (R134a) 3

1.5 QUE COMPRESSORS, QP-16 (Alternative Compressor for Valeo TM-16 Line) 3

1.5 QUE COMPRESSORS, QP-16 (Compressor Parts for QP-16 Line) 4

1.6 QUE COMPRESSORS (Alternative Compressor for Valeo TM21 Line) 5

1.6 Clutch Parts for Y61-Q2101 Que Compressors 5

1.6 MANIFOLDS for Y61-Q16 & Y61-Q21 Que Compressors 5

1.7 QUE COMPRESSORS (Alternative Compressor for Valeo TM31 Line) 5

1.8 YORK COMPRESSORS & PARTS 6

1.9 ALMA, A-6, (R134a) 6

1.10 ALMA, A-6 PARTS 7

1.11 OIL - COMPRESSOR 7

1.12 SUCTION LINE ACCUMULATOR 8

1.12 SUCTION LINE ACCUMULATORS 9

1.12 SUCTION LINE ACCUMULATORS 10

1.12 SUCTION LINE ACCUMULATORS 11



INTRODUCTION

This parts list identifies service replacement parts for Mobile Climate Control Split System compressors and related components.

ORDERING INSTRUCTIONS

All orders and inquiries for parts must include: Unit Serial Number, Part No., description of part as shown on list and quantity required. Parts can be ordered by going to the following website:

www.mcc-hvac.com

GENERAL NOTES

1. This catalog contains those items most commonly required for replacement purposes. If parts other than those cataloged are required, please provide the model number and serial number of the unit on which the parts are to be used and a complete description including references to items which are cataloged.
2. The replacement parts listed in this catalog are “Factory-Authorized Parts” and, as a result of “standardization,” may not be identical to the original part furnished on the equipment.
3. The following letter designations are used to classify parts throughout this list:

A/R = As Required,

H/C = Heat/Cool,

N/A = Not Available

N/S = Not Shown On Illustration

NSS = Not Sold Separately,

REF = For Reference Only

NSI = Non-stock Item

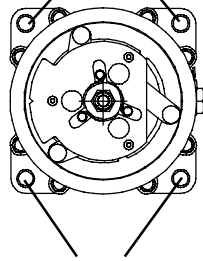


SECTION 1 - COMPRESSORS

COMPRESSOR IDENTIFICATION

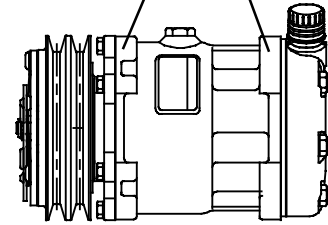
1.1 MOUNTING IDENTIFICATION

Mounting Holes



Mounting Holes

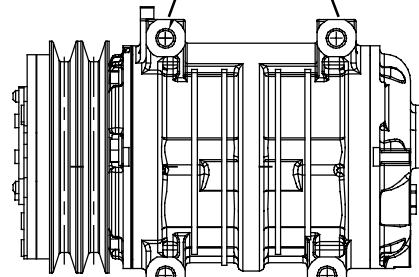
Mounting Holes



(Side View Reference Only)

EAR MOUNT VERSION

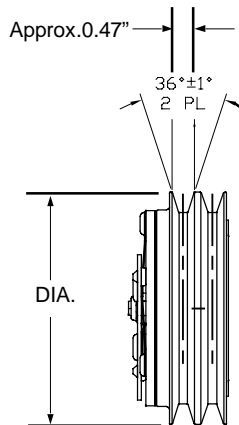
Mounting Holes



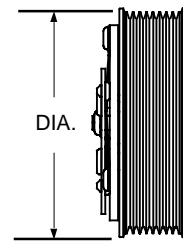
Mounting Holes

DIRECT MOUNT VERSION

1.2 CLUTCH IDENTIFICATION



2 A Groove Pulley



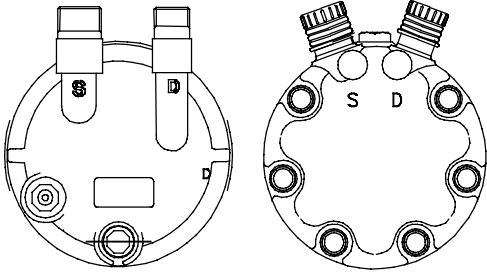
Poly-V Groove Pulley
6,8 & 10 Groove

NOTE: Clutch assembly kits are specific to pulley diameter and clutch coil voltage of 12 VDC or 24 VDC

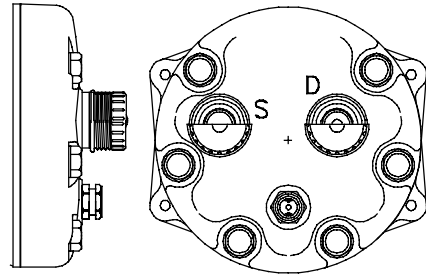


COMPRESSOR IDENTIFICATION

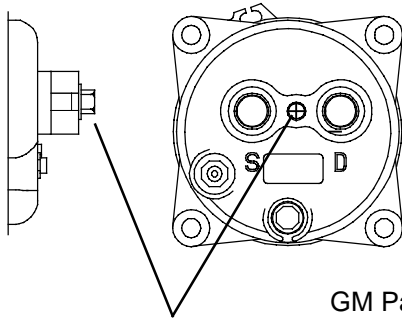
1.3 MANIFOLD IDENTIFICATION



Vertical O-Ring Fittings

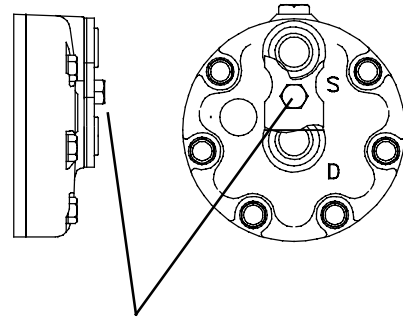


Horizontal O-Ring Fittings



GM Pad Mount Fittings

(Fittings are secured by a Manifold with Single Bolt in the Center)





1.4 SANDEN SD7H15, (R134a)	
26-1148	Compressor, (8) Grv. Poly-V, 119mm, 12 VDC, Direct Mount, Pad Mount Fitting

QUE Compressors (Alternative Compressor for Sanden SD7H15 Model)		
QUE Part #	Sanden Part #	Description
Y61-Q1601-05	18-00093-16	Compressor, SD7H15 EHC, 10 Grv., Poly-V123 mm, 12VDC, Direct Mount, GM Pad Fitting (4034)

1.5 QUE COMPRESSORS, QP-16 (Alternative Compressor for Valeo TM-16 Line)

12V QUE Compressors (Steel Shoe)		
QUE Part #	TM16 Part #	Description
Y61-Q1602-00	18-00093-13	Compressor, (8) Grv., Poly-V, (119mm),12 VDC, Direct Mount, GM Pad Fittings
Y61-Q1602-01	18-00093-09	Compressor, (8) Grv., Poly-V, (119 mm), 12 VDC, Ear Mount, GM Pad Fittings
Y61-Q1602-02	18-00093-11	Compressor, (2) "A" Grv., (125mm), 12 VDC, Ear Mount, GM Pad Fittings,
Y61-Q1602-03	18-00093-05	Compressor, (8) Grv., Poly-V, (119mm), 12 VDC, Ear Mount, 3/4" O-Ring & 7/8" O-Ring (V.O.R. Head)
Y61-Q1602-04	18-00093-07	Compressor, (2) "A" Grv., (125mm), 12 VDC, Ear Mount, 3/4" O-Ring & 7/8" O-Ring (V.O.R. Head)
Y61-Q1602-05	18-00093-16	Compressor, (10) Grv., (123mm), 12 VDC, Pad Mount, GM Pad Fittings

24V QUE Compressors (Steel Shoe)	
QUE Part #	Description
Y61-Q1603-00	Compressor, (8) Grv., Poly-V, (119mm), 24 VDC, Direct Mount, GM Pad Fittings
Y61-Q1603-01	Compressor, (8) Grv., Poly-V, (119 mm), 24 VDC, Ear Mount, GM Pad Fittings
Y61-Q1603-02	Compressor, (2) "A" Grv., (125mm), 24 VDC, Ear Mount, GM Pad Fittings,
Y61-Q1603-03	Compressor, (8) Grv., Poly-V, (119mm), 24 VDC, Ear Mount, 3/4" O-Ring & 7/8" O-Ring (V.O.R. Head)
Y61-Q1603-04	Compressor, (2) "A" Grv., (125mm), 24 VDC, Ear Mount, 3/4" O-Ring & 7/8" O-Ring (V.O.R. Head)
Y61-Q1603-05	Compressor, (10) Grv., (119mm), 24 VDC, Pad Mount, GM Pad Fittings



1.5 QUE COMPRESSORS, QP-16 (Compressor Parts for QP-16 Line)

Y61-Q1601, Y61-Q1602 & Y61-Q1603 QUE Compressor Parts		
QUE Compressor Part #	Clutch Assembly	Clutch Coil
Y61-Q1601-00 & Y61-Q1602-00	Y61-Q1601-50	Y61-Q1601-90
Y61-Q1601-01 & Y61-Q1602-01	Y61-Q1601-50	Y61-Q1601-90
Y61-Q1601-02 & Y61-Q1602-02	Y61-Q1601-51	Y61-Q1601-91
Y61-Q1601-03 & Y61-Q1602-03	Y61-Q1601-50	Y61-Q1601-90
Y61-Q1601-04 & Y61-Q1602-04	Y61-Q1601-51	Y61-Q1601-91
Y61-Q1601-05 & Y61-Q1602-05	Y61-Q1601-52	Y61-Q1601-92
Y61-Q1603-00	Y61-Q1603-50	Y61-Q1603-90
Y61-Q1603-01	Y61-Q1603-50	Y61-Q1603-90
Y61-Q1603-02	Y61-Q1603-51	Y61-Q1603-91
Y61-Q1603-03	Y61-Q1603-50	Y61-Q1603-90
Y61-Q1603-04	Y61-Q1603-51	Y61-Q1603-91
Y61-Q1603-05	Y61-Q1603-52	Y61-Q1603-92



1.6 QUE COMPRESSORS (Alternative Compressor for Valeo TM21 Line)

QUE Compressors (Alternative Compressor for Valeo TM21 Models)		
QUE Part #	TM21 Part #	Description
Y61-Q2101-00	18-10123-00	Compressor, (8) Grv., Poly-V, (137mm),12 VDC, Direct Mount, GM Pad Fittings, no diode in clutch wire
Y61-Q2101-01	18-10123-07	Compressor, (10) Grv., Poly-V, (141 mm), 12 VDC, Direct Mount, GM Pad Fittings
Y61-Q2101-02	18-10123-08	Compressor, (8) Grv., Poly-V, (127mm), 12 VDC, Direct Mount, GM Pad Fittings
Y61-Q2101-03	18-10123-09	Compressor, (2) "A" Grv., (145mm), 12 VDC, Direct Mount, GM Pad Fittings
Y61-Q2101-04	18-10123-06	Compressor, (6) Grv., Poly-V, (137mm), 12 VDC, Direct Mount, GM Pad Fittings

1.6 CLUTCH PARTS for Y61-Q2101 Que Compressors

Y61-Q2101 QUE Compressor Parts		
QUE Compressor Part #	Clutch Assembly	Clutch Coil
Y61-Q2101-00	Y61-Q2101-50	Y61-Q2101-90
Y61-Q2101-01	Y61-Q2101-51	Y61-Q2101-91
Y61-Q2101-02	Y61-Q2101-52	Y61-Q2101-90
Y61-Q2101-03	Y61-Q2101-53	Y61-Q2101-90
Y61-Q2101-04	Y61-Q2101-55	Y61-Q2101-91

1.6 MANIFOLDS for Y61-Q16 & Y61-Q21 Que Compressors

Y61-Q16 & Y61-Q21 QUE Compressor Parts	
QUE Manifold Part #	Description
Y60-00046-00	Vertical Orientation, 3/4"-16 UNF Discharge, 7/8"-14 UNF Suction, Male Thread w/O-Ring
Y60-00046-03	Horizontal Orientation, 1"-14 UNS Discharge, 1"-14 UNS Suction, Male Thread w/O-Ring
Y60-00046-05	Vertical Orientation, 3/4"-16 UNF Discharge, 7/8"-14 UNF Suction, Male Thread w/O-Ring, Inverted

1.7 QUE COMPRESSORS (Alternative Compressor for Valeo TM31 Line)

QUE Compressors (Alternative Compressor for Valeo TM31 Models)		
QUE Part #	TM31 Part #	Description
Y61-Q3101-00	18-60012-09	Compressor, (2) "B" Gr., 12 VDC, Direct Mount, Horizontal O-Ring,



1.8 YORK COMPRESSORS & PARTS



AC501-201A

AC501-201A Compressor, York, EF-210, (2) "A" Gr., 12 VDC, Horizontal Flow

THE LETTER "A" OR "B" AT END OF THE PART # (EX. AC501-224A) MEANS THAT THE COMPRESSOR IS SUPPLIED WITH FITTINGS AND O-RINGS

1.9 ALMA, A-6, (R134a)



18-00073-01

AC502-216 Compressor, A-6, (1) "A" Gr., 12 VDC

18-00073-00 Compressor, A-6, 6 Groove Poly-V, 12 VDC

18-00073-01 Compressor, A-6, 8 Groove Poly-V, 12 VDC



1.10 ALMA, A-6 PARTS



50-50062-00 Clutch Armature (Driver) & Key



50-50070-00 Clutch Assembly, 8 Groove Poly-V, 12 VDC, 4.81 Inch O.D.



50-50072-00 Clutch Assembly, 6 Groove Poly-V, 12 VDC, 5.5 Inch O.D.

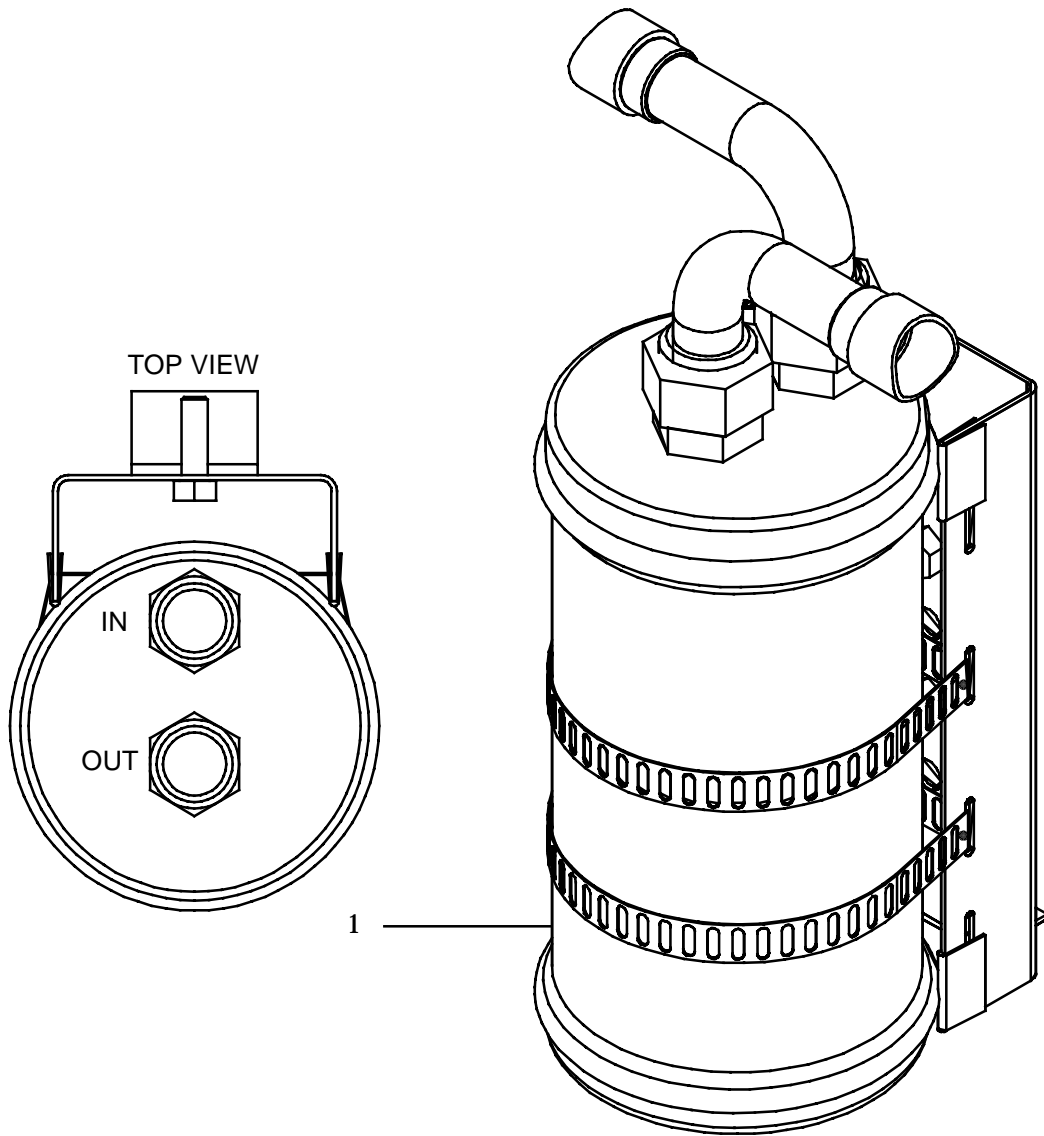
1.11 OIL - COMPRESSOR

46-50004-00 ISO 150 PAG For Alma Products A6 Compressors (R-134a) (250CC Metal Can)

46-50006-00 ISO 46 PAG For Valeo, Sanden & Que Compressors (R-134a) (1Quart Metal Can)



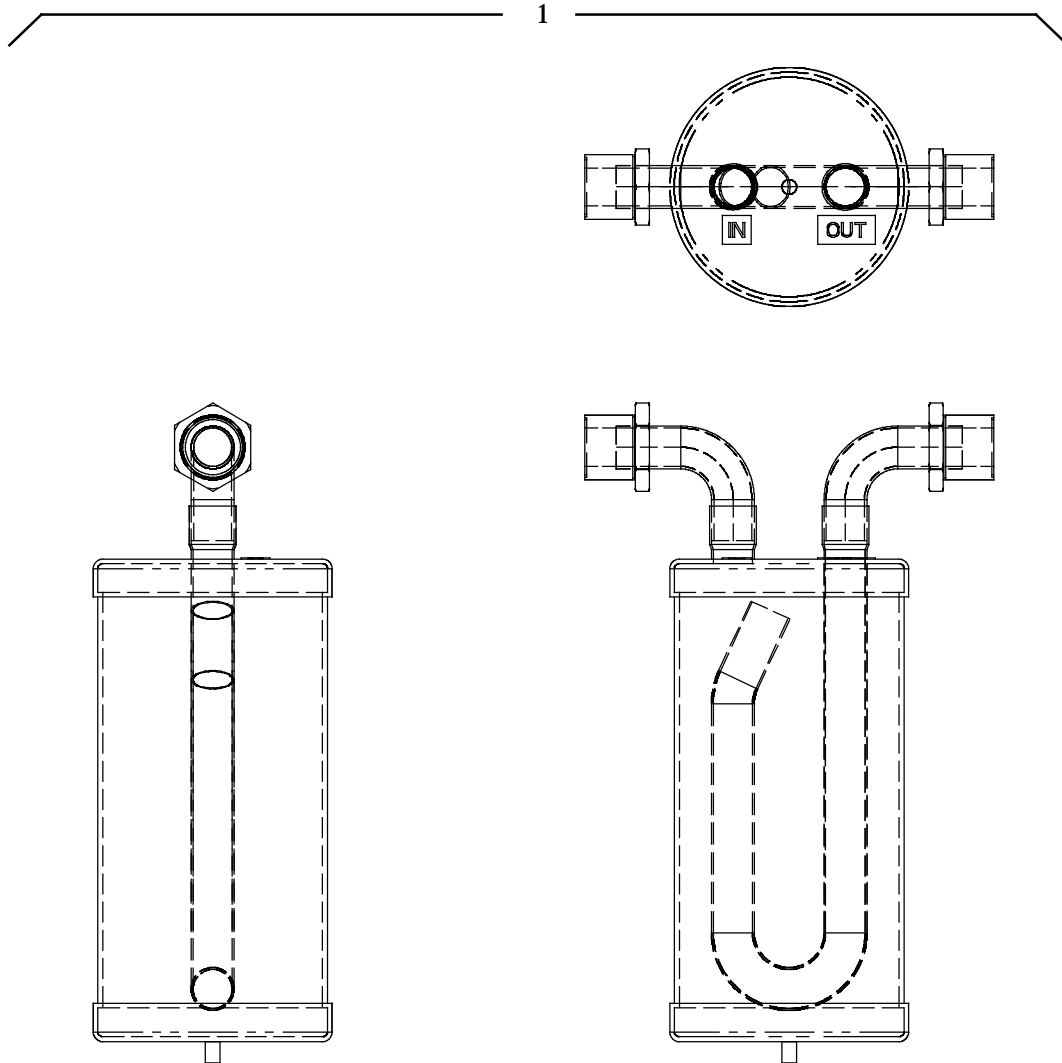
1.12 SUCTION LINE ACCUMULATOR



Item	Part Number	Description	Qty
1	65-62004-00	Accumulator, Suction Line	1



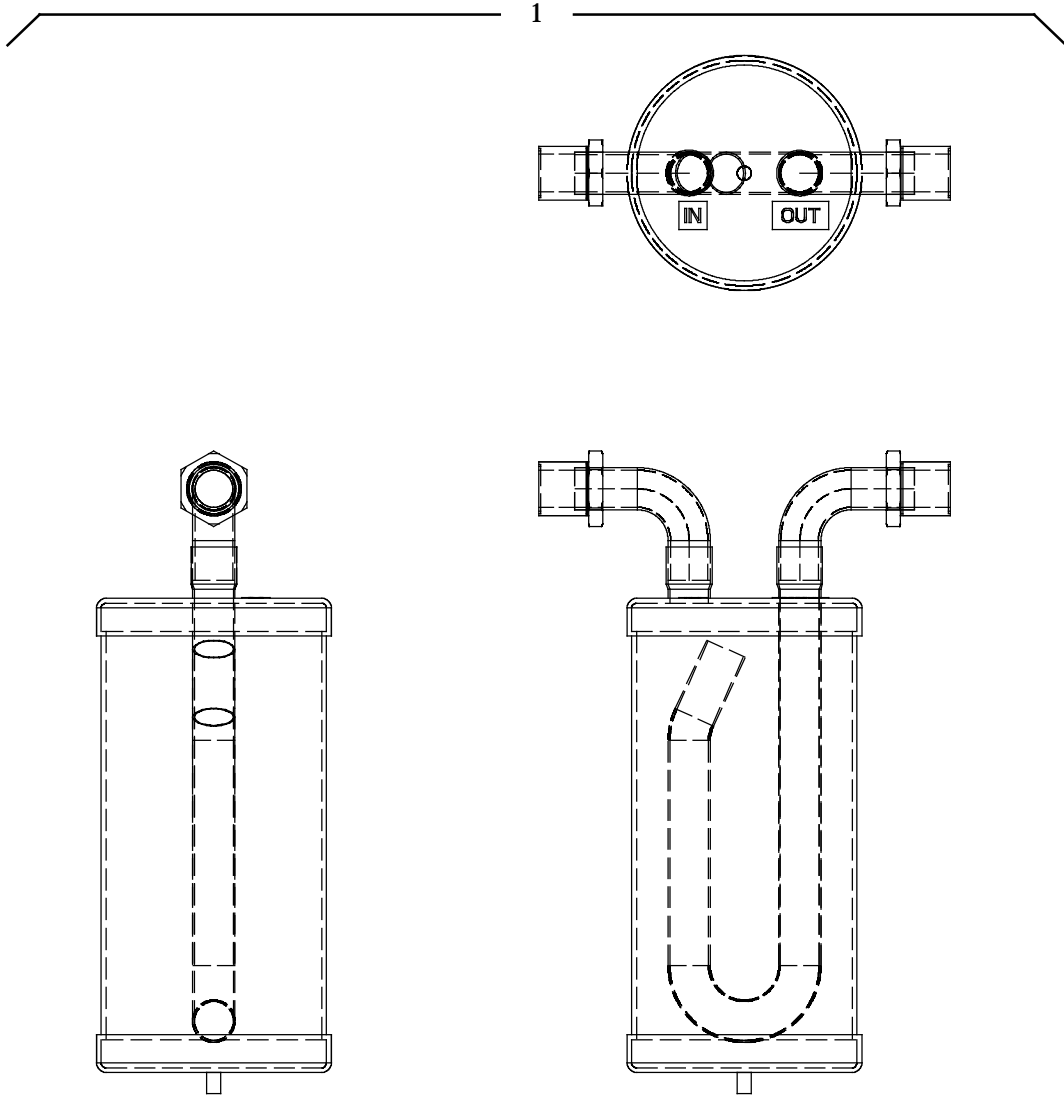
1.12 SUCTION LINE ACCUMULATORS



Item	Part Number	Description	Qty
1	Y26-00077-00	Accumulator Assembly, Suction, 1 11/16 - 12 (20 ORFS) x 1 11/16 -12 (20 ORFS)	1



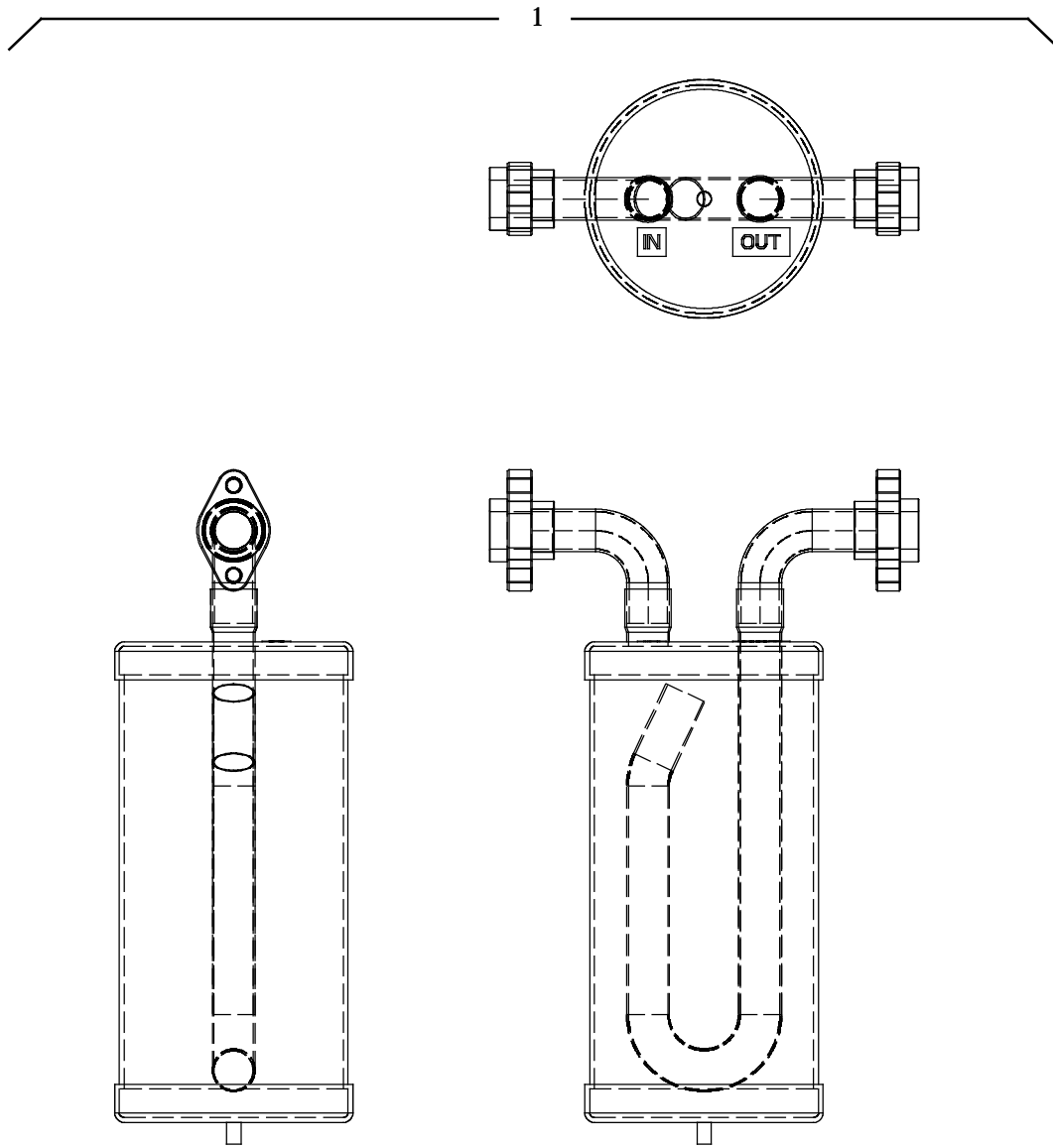
1.12 SUCTION LINE ACCUMULATORS



Item	Part Number	Description	Qty
1	Y26-00077-01	Accumulator Assembly, Suction, 1 7/16 - 12 (16 ORFS) x 1 7/16 -12 (16 ORFS)	1



1.12 SUCTION LINE ACCUMULATORS



Item	Part Number	Description	Qty
1	Y26-00077-02	Accumulator Assembly, Suction, Flange Fitting x Flange Fitting	1



INDEX

PART NO.	PAGE NO.	PART NO.	PAGE NO.
1		Y61-Q1601-51	4
18-00073-00	6	Y61-Q1601-52	4
18-00073-01	6	Y61-Q1601-90	4
2		Y61-Q1601-91	4
26-1148	3	Y61-Q1601-92	4
4		Y61-Q1602-00	3
46-50004-00	7	Y61-Q1602-01	3
46-50006-00	7	Y61-Q1602-02	3
5		Y61-Q1602-03	3
50-50062-00	7	Y61-Q1602-04	3
50-50070-00	7	Y61-Q1602-05	3
50-50072-00	7	Y61-Q1603-00	3
6		Y61-Q1603-01	3
65-62004-00	8	Y61-Q1603-02	3
A		Y61-Q1603-03	3
AC501-201A	6	Y61-Q1603-04	3
AC502-216	6	Y61-Q1603-05	3
Y		Y61-Q1603-50	4
Y26-00077-00	9	Y61-Q1603-51	4
Y26-00077-01	10	Y61-Q1603-52	4
Y26-00077-02	11	Y61-Q1603-90	4
Y60-00046-00	5	Y61-Q1603-91	4
Y60-00046-03	5	Y61-Q1603-92	4
Y60-00046-05	5	Y61-Q2101-00	5
Y61-Q1601-05	3	Y61-Q2101-01	5
Y61-Q1601-50	4	Y61-Q2101-02	5
		Y61-Q2101-03	5
		Y61-Q2101-04	5
		Y61-Q2101-50	5
		Y61-Q2101-51	5
		Y61-Q2101-52	5
		Y61-Q2101-53	5
		Y61-Q2101-55	5
		Y61-Q2101-90	5
		Y61-Q2101-91	5



INDEX


PART NO.	PAGE NO.	PART NO.	PAGE NO.
Y61-Q3101-00	5		

Every driver deserves the best possible vehicle climate with MCC products

MCC provides exceptional performance in mobile climate comfort.



www.mcc-hvac.com

Member of MCC Group  Certified ISO 9001 and ISO 1 4001.
Specifications subject to change without notice. MCC is a registered trademark.