

Bill of Materials Listing

TransArctic Canada Inc.

10/11/2019
Page 1 of 1

Product Number	Description	Rev#	Date	Weight	Uof M	Yield
Line	Component Prod#	Bin	Unit	Qty		
KMC62061	Mt Kit, ISB, 6.7L, D3/T3RE, 2 TM-16,'10+	2	5/14/2010	37.92		0
5	PAC15110		each	1		
10	BEL61100		each	1		
20	BMC67050		each	1		
30	BMC67053		each	1		
40	BMC67059		each	1		
50	BMC67159		each	1		
60	BMS16022	Alley	each	2		
70	CLP20016		each	1		
90	FSP67326		each	1		
100	PUL59005		each	1		
110	TEN80005		each	1		
120	KBC62661		each	1		

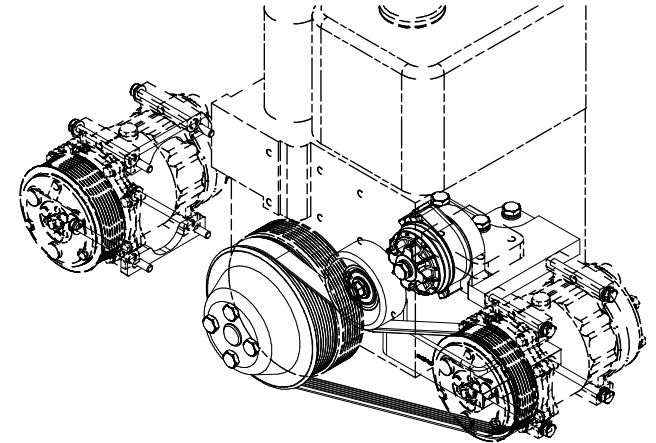
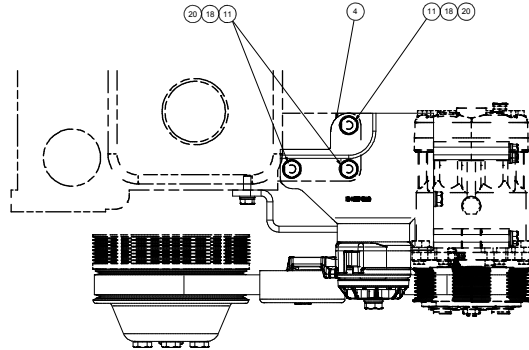
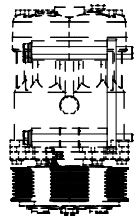
Bill of Materials Listing

TransArctic Canada Inc.

10/11/2019

Page 1 of 1

Product Number		Description	Rev#	Date	Weight	Uof M	Yield
Line	Component Prod#	Description	Bin	Unit	Qty		
KBC62661		Bag Kit, Fasteners, KMC62661/KMC62061		5/14/2010	2.12		0
10	BTC10080	Bolt, Hex, 10 x 1.5 x 80mm, 10.9, Plt,FT		each	1		
25	BTC10055	Bolt, Hex, 10 x 1.5 x 55mm, 10.9, Plt,FT		each	7		
40	BTC08100	Bolt, Hex, 8 x 1.25 x 100mm, 10.9, Plt		each	8		
45	BTC08110	Bolt, Hex, 8 x 1.25 x 110mm, 10.9, Plt		each	4		
50	BTC08045	Bolt, Hex, 8 x 1.25 x 45mm, 10.9, Plt		each	1		
60	BTC08025	Bolt, Hex, 8 x 1.25 x 25mm, 10.9, Plt		each	1		
80	WFA10000	Washer, Flat, 10mm, 8.8, Plt		each	4		
90	WFA08000	Washer, Flat, 8mm, 8.8, Plt		each	10		
100	WLA10000	Washer, Lock, 10mm, 8.8, Plt		each	4		
110	WLA08000	Washer, Lock, 8mm, 8.8, Plt		each	10		



ISOMETRIC VIEW

NOTE:
INSTALL THE 6 GR. BELT ON THE
MIDDLE 6 GROOVES OF THE 8 GR.
COMPRESSOR PULLEY.

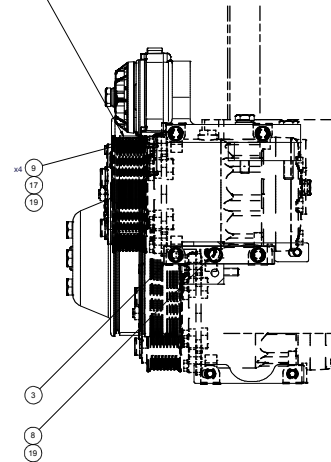
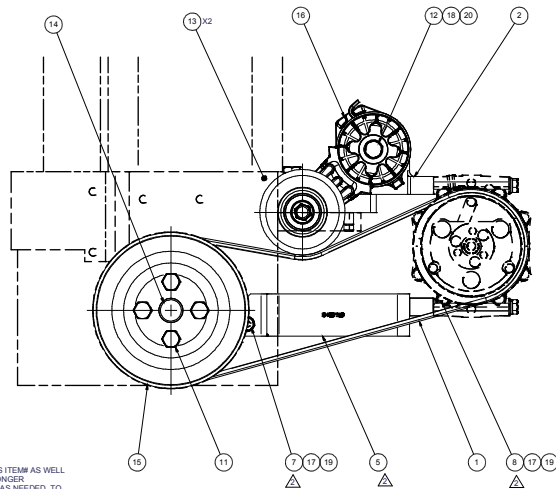
NOTE:
- ON A SINGLE MOUNT.
- DELETE (4) OF EACH OF THESE ITEM#s 9, 10, 17, 19.
- THESE PARTS ARE NOT REQ'D IN THESE CASES.

USE THIS ITEM IN LIEU
OF ITEM # 10 WHEN NOT
USING ITEM # 6.

USE THIS ITEM IN LIEU
OF ITEM # 9 WHEN
USING ITEM # 6.

OEM POSITION

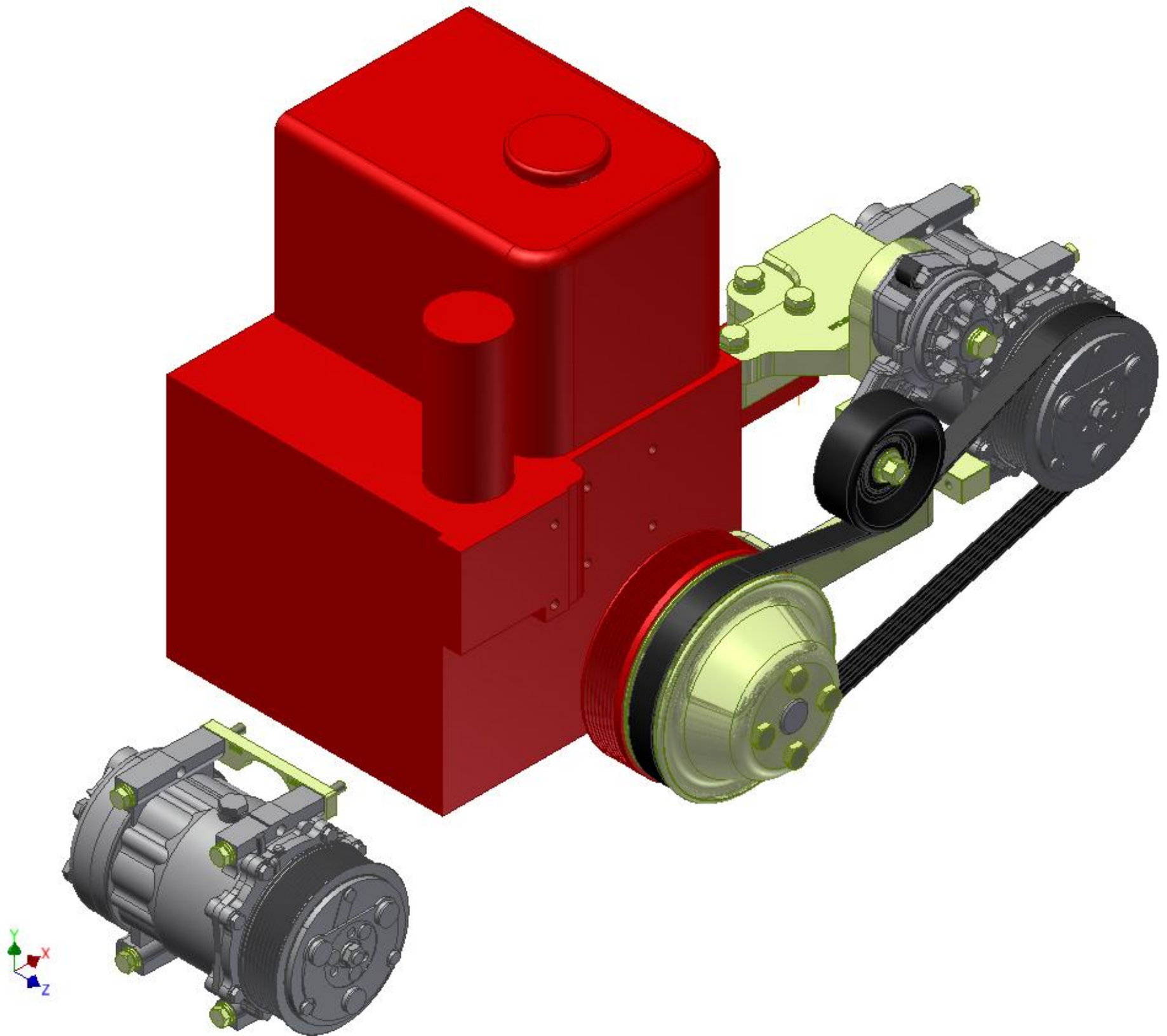
NOTE:
UTILIZE THIS ITEM AS WELL
AS THE (4) LONGER
FASTENERS AS NEEDED TO
CLOCK THE OEM TENSIONER
BACK TO ITS ORIGINAL OEM
POSITION OR SLIGHTLY
TIGHTER.

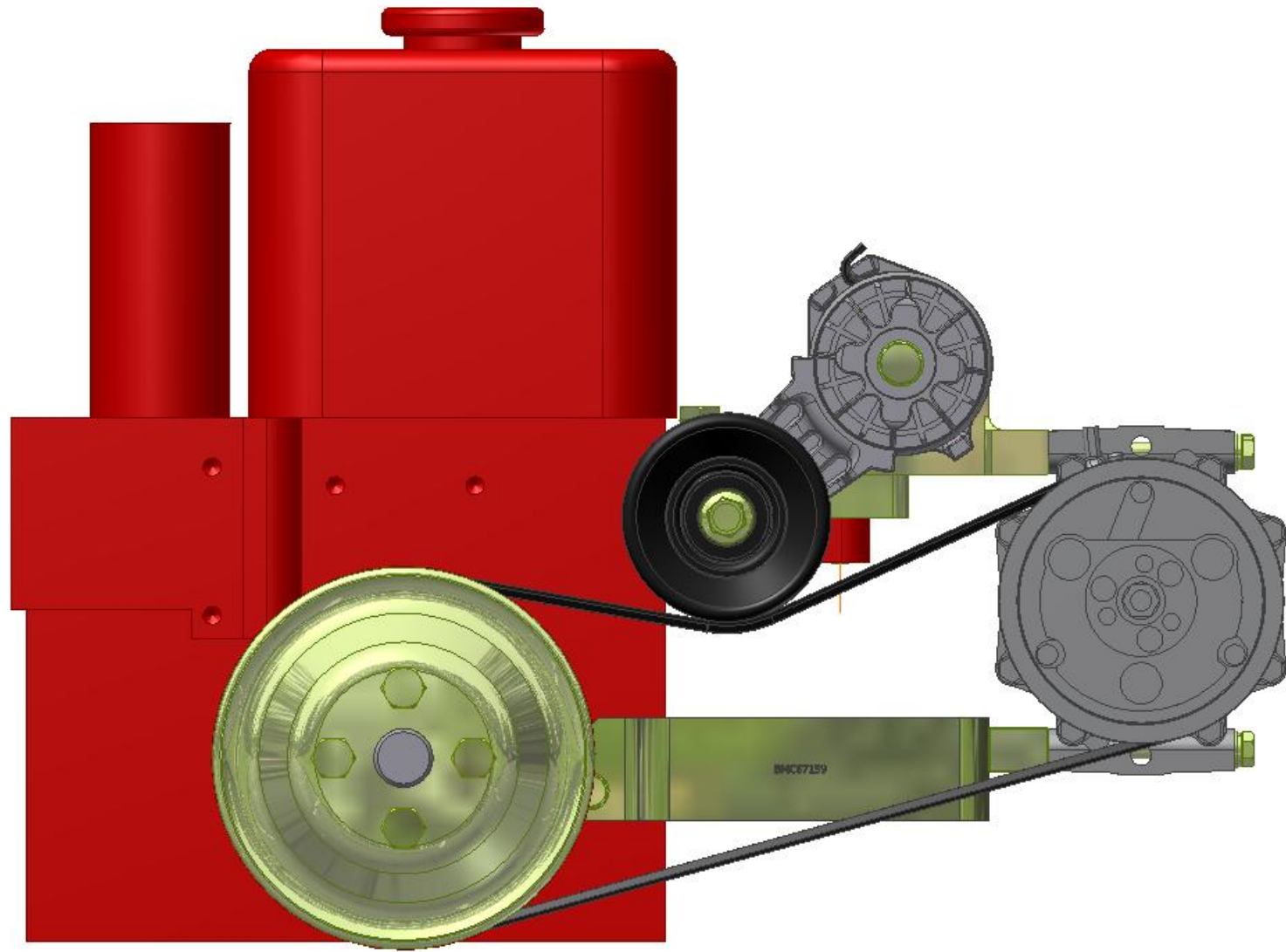
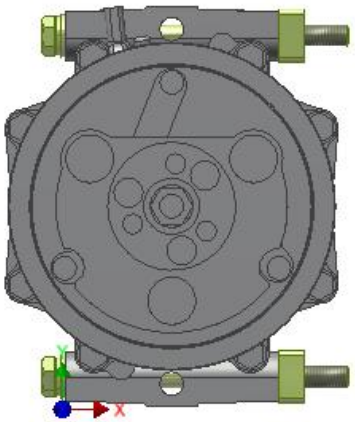


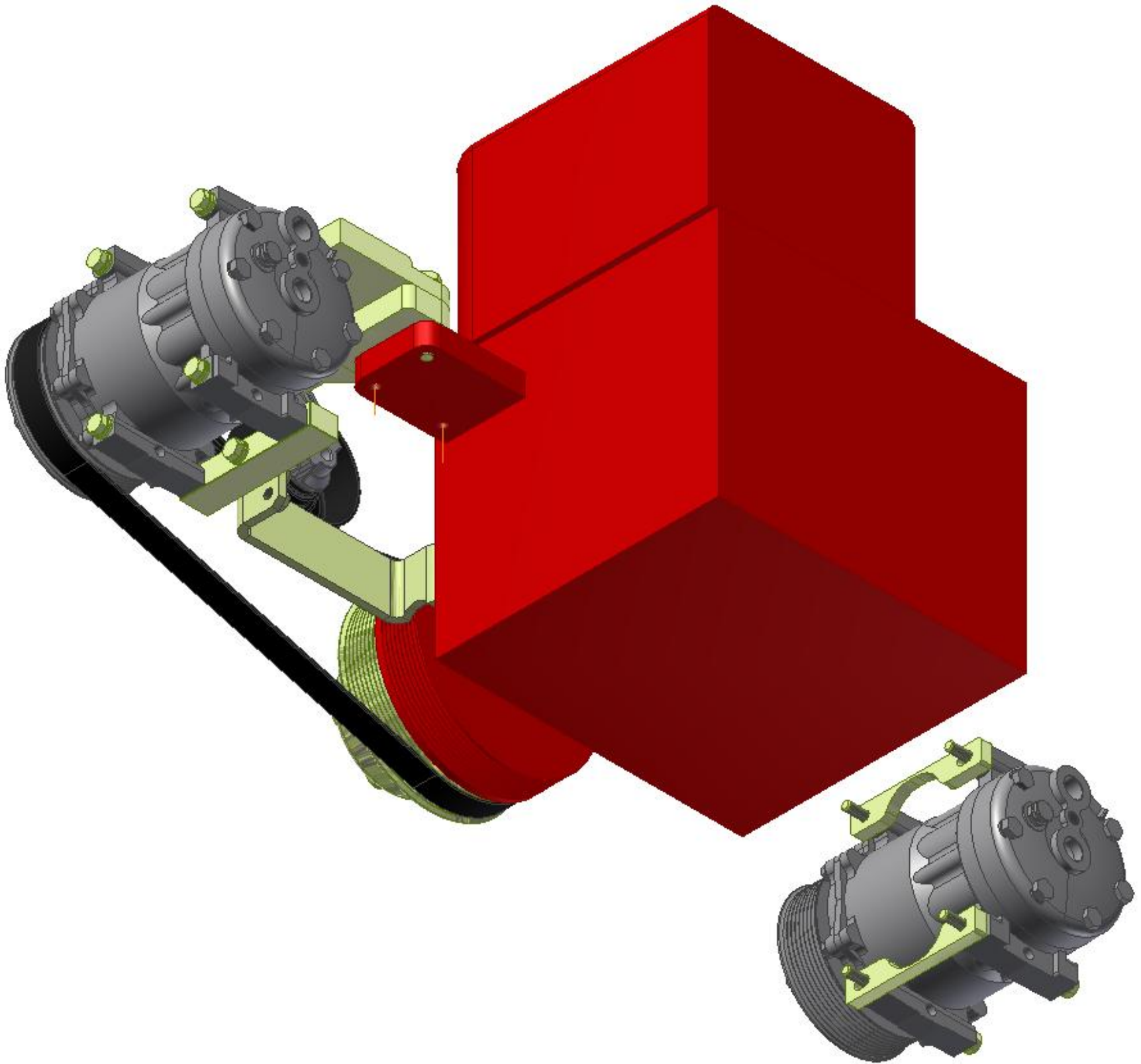
NOTES:
1) USE SERVICABLE THREADLOCKER ON ALL FASTENERS TO ENGINE COMPONENTS AND
TORQUE ALL BOLTS TO S.A.E. SPECIFICATIONS.
2) SEE "TRANSARCTIC A/C COMPRESSOR MOUNT INSTALLATION DISCLAIMER".

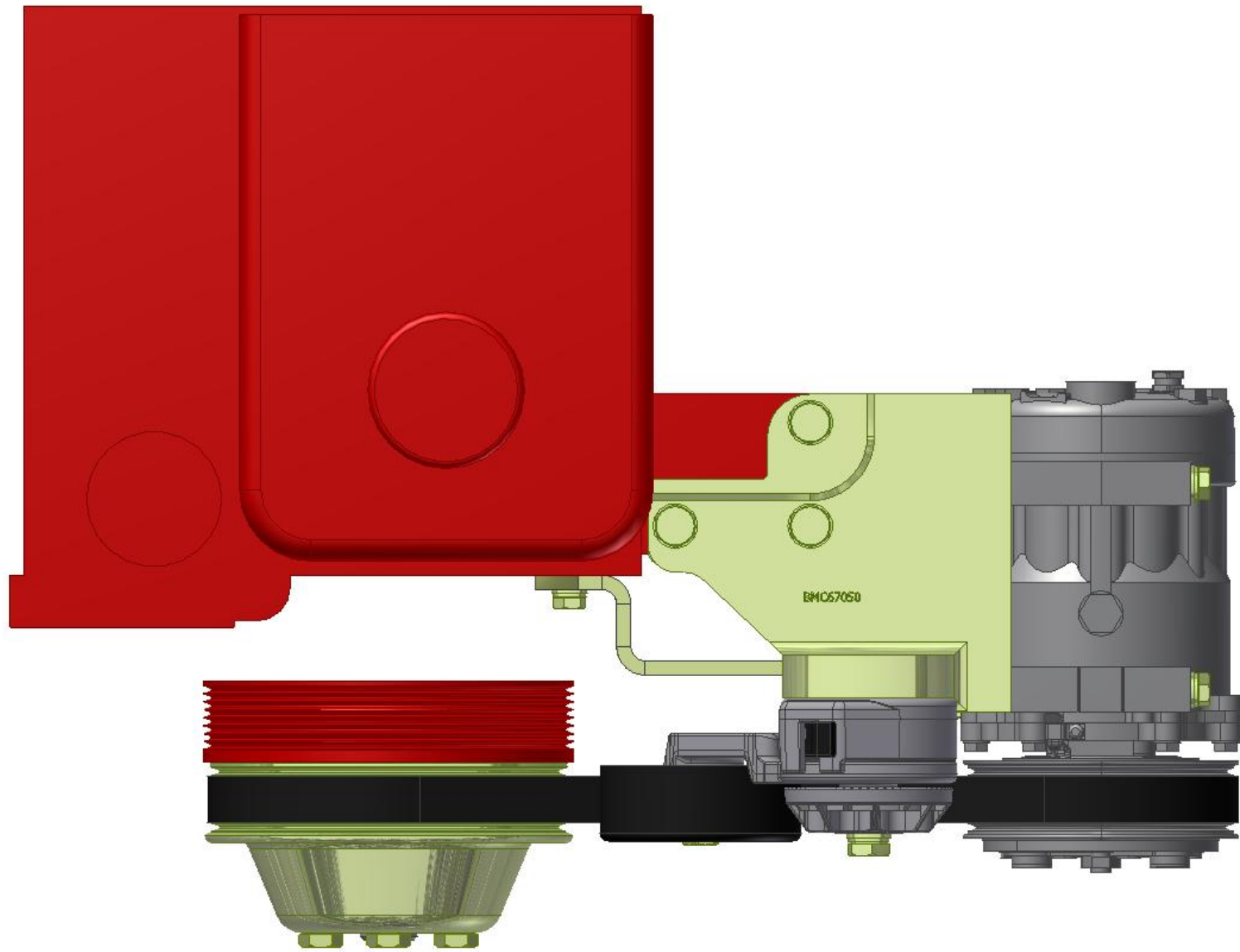
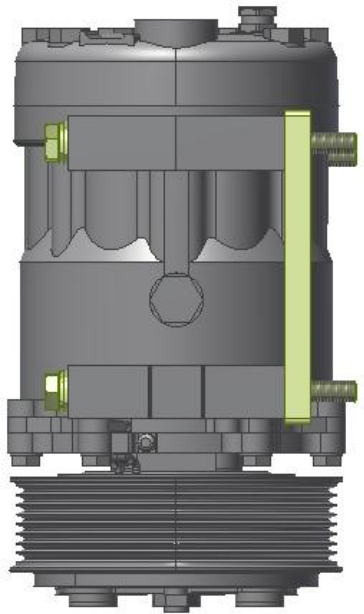
ITEM	QTY	UOM	PART NUMBER	DESCRIPTION
20	4	EACH	WLA10000	WASHER LOCK, 10mm, 8.8, PLT
19	10	EACH	WLA20000	WASHER LOCK, 8mm, 8.8, PLT
18	4	EACH	WFA10000	WASHER FLAT, 10mm, 8.8, PLT
17	10	EACH	WFA20000	WASHER FLAT, 8mm, 8.8, PLT
16	1	EACH	TEN80005	TENR. HD SPRING, BACKSIDE, CCW (89430)
15	1	EACH	PUL59005	PULLEY, FAN, CUMMINS, ISB, 5.9, 6gr
14	1	EACH	SPR7500	SPACER, FAN, PULLEY, ISB, 32.0mm (1.26")
13	1	EACH	CLP20016	CLAMP "P" TYPE, #20, 1/2" W, 1" PC
12	1	EACH	BTC10089	BOLT, HEX, 10 x 1.5 x 80mm, 10.9, PLT
11	7	EACH	BTC10055	BOLT, HEX, 10 x 1.5 x 50mm, 10.9, PLT
10	4	EACH	BTC08110	BOLT, HEX, 8 x 1.25 x 110mm, 10.9, PLT
9	8	EACH	BTC08100	BOLT, HEX, 8 x 1.25 x 100mm, 10.9, PLT
8	1	EACH	BTC08045	BOLT, HEX, 8 x 1.25 x 45mm, 10.9, PLT
7	1	EACH	BTC08025	BOLT, HEX, 8 x 1.25 x 25mm, 10.9, PLT
6	2	EACH	BMS16022	BKT, TM-16, SPACER PLATE
5	1	EACH	BMC37159	BKT, SSB, WELDMT, ISB, D3RE, F, BCCV, 10"
4	1	EACH	BMC37059	BKT, RISER PLATE, ISB, D3RE, 2010
3	1	EACH	BMC37053	BKT, CRADLE, BTM, 87mm, ISB, D3FE, 2010
2	1	EACH	BMC37050	BKT, MAIN WELDMT, ISB, D3FE, 2010
1	1	EACH	BE161100	BELT, 6 gr, 1100mm (43.3") (5060433)

DRAWN: Jose Rodriguez 12/10/2010
 CHECKED: Ron Ingram 12/10/2010
 REV ECN DESCRIPTION DATE BY: James Stewart 12/10/2010
 APPROVED: Dale Mason 12/10/2010
 TITLE: MT KIT, ISB, 6.7L, D3RE, 2 TM-16, '10
 SCALE: 1:2
 SHEET 1 OF 1

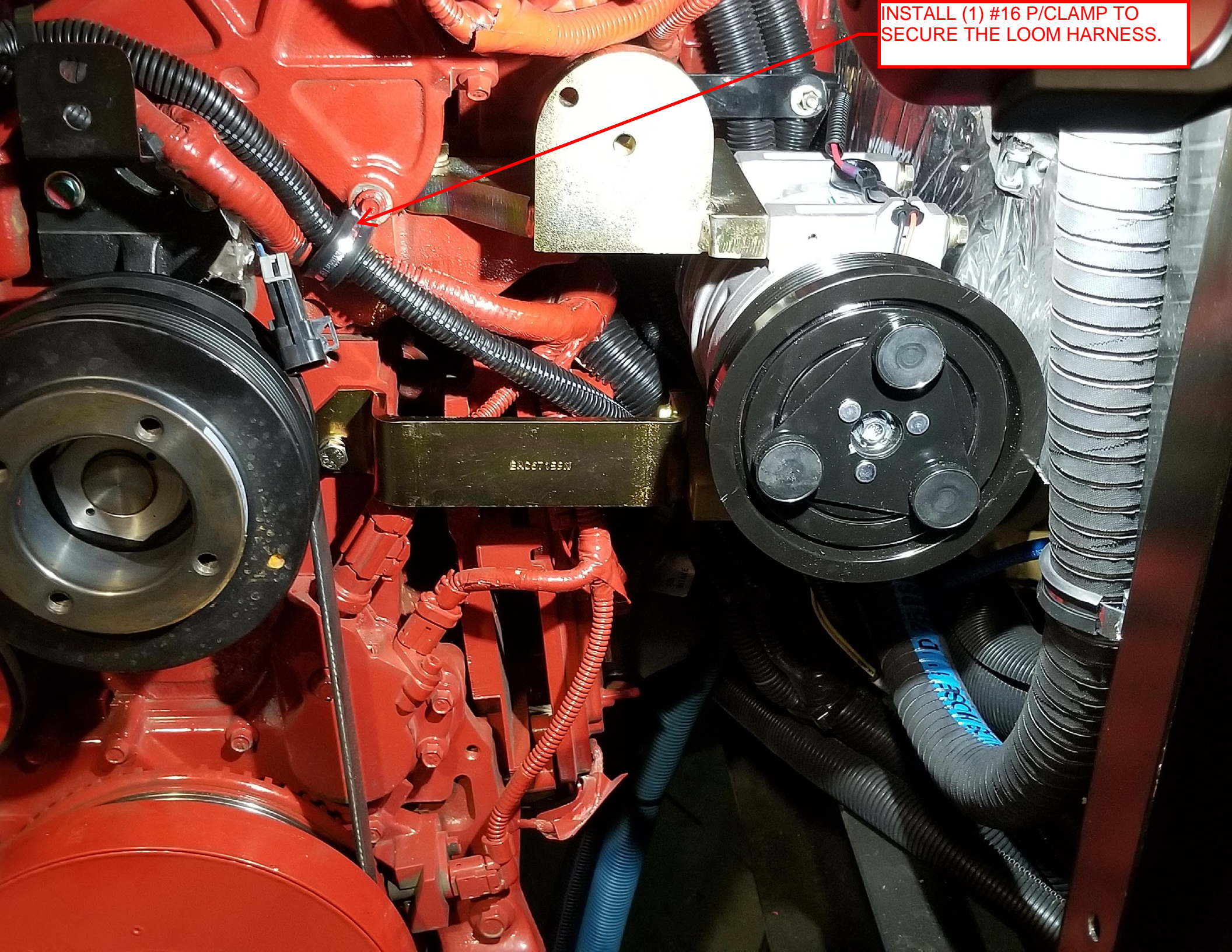








INSTALL (1) #16 P/CLAMP TO SECURE THE LOOM HARNESS.



TransArctic A/C Compressor Mount Installation Disclaimer

All compressor mounts should be installed by qualified and trained personnel using proper tools and equipment in safe working conditions following industry standard guidelines for motor vehicle service and repair.

The installer of any compressor mount purchased from TransArctic must undertake all responsibility of issues arising from that compressor bracket being installed on any vehicle. As well as insure that a **proper and sufficient ground** is established between the compressors' clutches and the vehicle's engine. Mount functionality, operation and durability can all be compromised by an incompetent installation.

Due to the many different situations, parameters and application criteria, which are beyond the compressor mount manufacturer's control, TransArctic does not warrant design, durability, or operational functionality of any compressor mount improperly installed by another party.

With no implied guarantees it is the mount installer's strict responsibility to determine safety and functionality, of the compressor mount, at the time of installation.

Please contact TransArctic with any issue arising from installation so we may better improve the product. If you have any reservations about the compressor mount integrity contact TransArctic immediately at 1-877-COLD-AIR.

Mark OEM tensioner location

Install Kit

Check for Interferences

Check to ensure that the proper OEM tensioner orientation is maintained

Run engine with A/C system engaged for at least 10 minutes to run in belt

Check OEM tensioner orientation and adjust as required

Responsabilidad limitada de TransArctic en la instalación del soporte del compresor

Todos los soportes de los compresores deben ser instalados por personas calificadas y entrenadas, usando para ello los equipos y herramientas necesarios para esta labor en buenas condiciones y según las normas y guías para el servicio y/o reparación de motores de vehículos.

El instalador de los soportes comprados en TransArctic asume toda la responsabilidad de cualquier problema que surja en el soporte del compresor al vehículo; de igual manera es responsable que el cable a tierra sea conectado entre el embrague del compresor y el motor del vehículo.

Se advierte que el buen funcionamiento y la durabilidad del soporte pueden ser comprometidos por defectos en su instalación.

Debido a las diversas situaciones que se puedan presentar fuera del control del fabricante, TransArctic no garantiza el diseño, la durabilidad o el correcto funcionamiento de cualquier equipo inapropiadamente instalado por terceros.

Esta sobreentendido que el Instalador del montaje del compresor es estrictamente responsable de la seguridad y funcionamiento del equipo en el momento de la instalación.

Si tuviera algún problema o duda acerca de la instalación del soporte del compresor pongase en contacto inmediatamente con TransArctic al teléfono 1-877-COLD-AIR de modo que podamos mejorar nuestro producto.

Note la ubicación del medidor de tensión OEM

Instale el equipo

Controlar si hay interferencias.

Asegure que el medidor de tensión mantenga la orientación justa.

Encienda el motor por lo menos 10 minutos con el sistema A/C enganchado para que la correa corra

Controle la orientación justa del medidor de tensión y ajuste a las condiciones requeridas del fabricante