

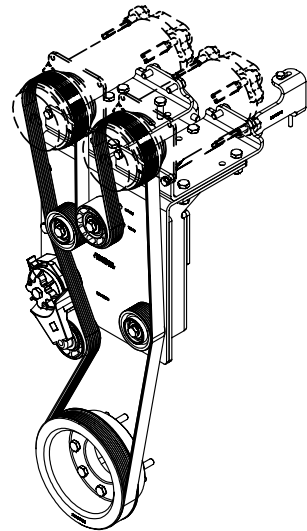
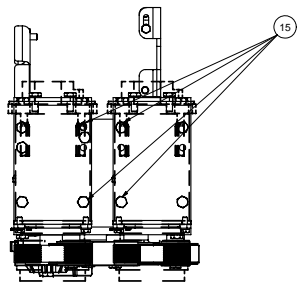
Bill of Materials Listing

TransArctic Canada Inc.

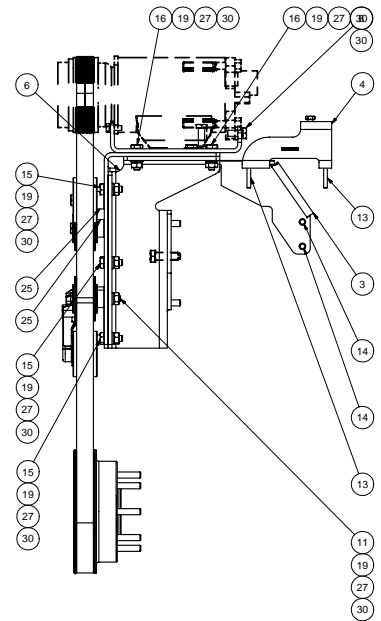
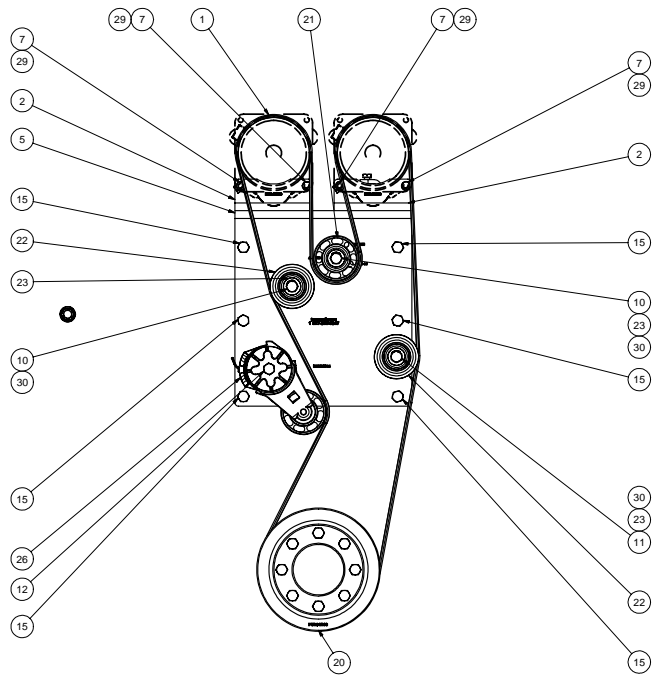
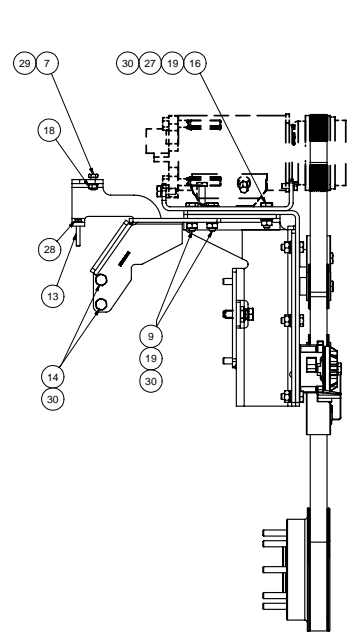
5/6/2010
Page 1 of 1

Product Number	Description	Date	Weight	Uof M	Yield
Line Component Prod#	Description	Bin Unit	Qty		
KMK62571	Mt Kit, 3126, A3RE, 2 A-6, P8	2/21/2003	76.11		0
10 BEL82590	Belt, 8gr, 2590mm (102") (5081020)	each	1		
20 BMK60015	Bkt, Main, Hat, Weldmt, 3126, BBRE, P8	each	1		
30 BMK60014	Bkt, Main, Weldmt, 3126, BBRE, P8	each	1		
35 BMK60013	Bkt, Support, Pl, Hose, 3126, BBRE, P8	each	1		
40 BMK60011	Bkt, Brace, RR, Support, 3126, BBRE, P8	each	1		
50 BMA60000	Bkt, Cradle, A-6, 3126, BBRE, P8	each	2		
70 PUL31268	Pulley, Crank, 3126, P8	each	1		
80 PUL81074	Pulley, Idler, Frontside, P8,74d (89103)	each	2		
90 PUL80076	Pulley, Idler, Backside, P8, 76d (89062)	each	1		
100 TEN80002	Tenr, HD Spring, BackSide, CCW (89200A)	each	1		
110 SPC06413	Spacer, Col, Drl, 6.35mm x 25.4o x 12.7i	each	1		
120 SPC19010	Spacer, Col, Drl, 19mm x 28.58o x 10.32i	each	3		
130 SLV17010	Sleeve, Pulley, 16.9o x 22.23mm x 10.32i	each	3		
140 HOA89076	Hose, Flex, Silicon, 3.00 x 3.50 x 8.50	each	1		
150 BTC10055	Bolt, Hex, 10 x 1.5 x 55mm, 10.9, Plt,FT	each	8		
160 BTC10035	Bolt, Hex, 10 x 1.5 x 35mm, 10.9, Plt,FT	each	4		
170 BTC10030	Bolt, Hex, 10 x 1.5 x 30mm, 10.9, Plt	each	15		
180 BTC10020	Bolt, Hex, 10 x 1.5 x 20mm, 10.9, Plt	each	2		
190 BTC06040	Bolt, Hex, 6 x 1.0 x 40mm, 10.9, Plt	each	2		
200 BTA10080	Bolt, Hex, 10 x 1.5 x 80mm, 8.8, Plt	each	1		
210 BTA10075	Bolt, Hex, 10 x 1.5 x 75mm, 8.8, Plt	each	1		
220 BTA10070	Bolt, Hex, 10 x 1.5 x 70mm, 8.8, Plt	each	2		
230 BTC10040	Bolt, Hex, 10 x 1.5 x 40mm, 10.9, Plt,FT	each	2		
250 BTC10025	Bolt, Hex, 10 x 1.5 x 25mm, 10.9, Plt	each	4		
270 BTA08020	Bolt, Hex, 8 x 1.25 x 20mm, 8.8, Plt	each	5		
280 NTA10000	Nut, Hex, 10 x 1.5, 8.8, Plt	each	17		
290 NTA08000	Nut, Hex, 8 x 1.25, 8.8, Plt	each	1		
300 WLC10000	Washer, Lock, 10mm, 10.9, Plt	each	32		
310 WLC06000	Washer, Lock, 6mm, 10.9, Plt	each	2		
330 WLA08000	Washer, Lock, 8mm, 8.8, Plt	each	5		
340 WFA10000	Washer, Flat, 10mm, 8.8, Plt	each	10		

EXISTING 1/2-13UNC x 1.50" LG.
ALTERNATOR BOLT



ISOMETRIC VIEW



ITEM	QTY	UM	PART NUMBER	DESCRIPTION
30	32	EACH	WLA10000	WASHER, LOCK, 10mm, 8.8, PLT
29	5	EACH	WLA08000	WASHER, LOCK, 8mm, 8.8, PLT
28	2	EACH	WLA06000	WASHER, LOCK, 6mm, 8.8, PLT
27	10	EACH	WFA10000	WASHER, FLAT, 10mm, 8.8, PLT
26	1	EACH	TEN80002	TENR, HD SPRING, BACKSIDE, CCW
25	3	EACH	SPC19010	SPACER, COL, DRL, 19.05mm x25.4o x10.57i
24	1	EACH	SPC06413	SPACER, COL, DRL, 6.35mm x 25.4o x 12.8i
23	3	EACH	SLV17010	SLEEVE, PULLEY, 16.9o x 22.23mm x 10.32i
22	2	EACH	PUL81074	PULLEY, IDLER, FRONTSIDE, P8, 74d x 39w
21	1	EACH	PUL80076	PULLEY, IDLER, BACKSIDE, P8, 76D, 39W
20	1	EACH	PUL31268	PULLEY, CRANK, 3126, P8, 8" DIA
19	17	EACH	NTA10000	NUT, HEX, 10 x 1.5, 8.8, PLT
18	1	EACH	NTA08000	NUT, HEX, 8 x 1.25, 8.8, PLT
17	8	EACH	BTC10055	BOLT, HEX, 10 x 1.5 x 55mm, 10.9, PLT
16	4	EACH	BTC10035	BOLT, HEX, 10 x 1.5 x 35mm, 10.9, PLT
15	15	EACH	BTC10030	BOLT, HEX, 10 x 1.5 x 30mm, 10.9, PLT
14	2	EACH	BTC10020	BOLT, HEX, 10 x 1.5 x 20mm, 10.9, PLT
13	2	EACH	BTC06040	BOLT, HEX, 6 x 1.0 x 40mm, 10.9, PLT
12	1	EACH	BTA10080	BOLT, HEX, 10 x 1.5 x 80mm, 8.8, PLT
11	1	EACH	BTA10075	BOLT, HEX, 10 x 1.5 x 75mm, 8.8, PLT
10	2	EACH	BTA10070	BOLT, HEX, 10 x 1.5 x 70mm, 8.8, PLT
9	2	EACH	BTA10040	BOLT, HEX, 10 x 1.5 x 40mm, 8.8, PLT
8	4	EACH	BTA10025	BOLT, HEX, 10 x 1.5 x 25mm, 8.8, PLT
7	5	EACH	BTA08020	BOLT, HEX, 8 x 1.25 x 20mm, 8.8, PLT
6	1	EACH	BMK60015	BRKT, MAIN, HAT, WELDMT, 3126, BBRE, P8
5	1	EACH	BMK60014	BRKT, MAIN, WELDMT, 3126, BBRE, P8
4	1	EACH	BMK60013	BRKT, SUPPORT, PL, HOSE, 3126, BBRE, P8
3	1	EACH	BMK60011	BRKT, BRACE, RR, SUPPORT, 3126, BBRE, P8
2	2	EACH	BMK60000	BRKT, CRADLE, A-6, 3126, BBRE, P8
1	1	EACH	BEL82590	BELT, 8 GR, 2590mm (102")

TRANSARGTIC INC.

MT KIT, 3126E, BBRE, AB, 2 A-6, P8

DWG NO: **KMK62571**

SCALE: 1:4

SHEET 1 OF 1

REV	DESCRIPTION	DATE	BY
2	GENERAL UPDATE	3/6/2003	VAL
1	GENERAL UPDATE	3/26/2003	VAL
0	RELEASED TO PRODUCTION	3/6/2003	CA

UNSPECIFIED TOLERANCES:

THIS DRAWING CONTAINS PROPRIETARY/CONFIDENTIAL INFORMATION OWNED BY TRANSARGTIC CANADA INC. THE DOCUMENT AND THE INFORMATION IN IT ARE NOT TO BE USED, DISCLOSED OR REPRODUCED WITHOUT EXPRESS WRITTEN PERMISSION OF THE COMPANY.

THIRD ANGLE PROJECTION