

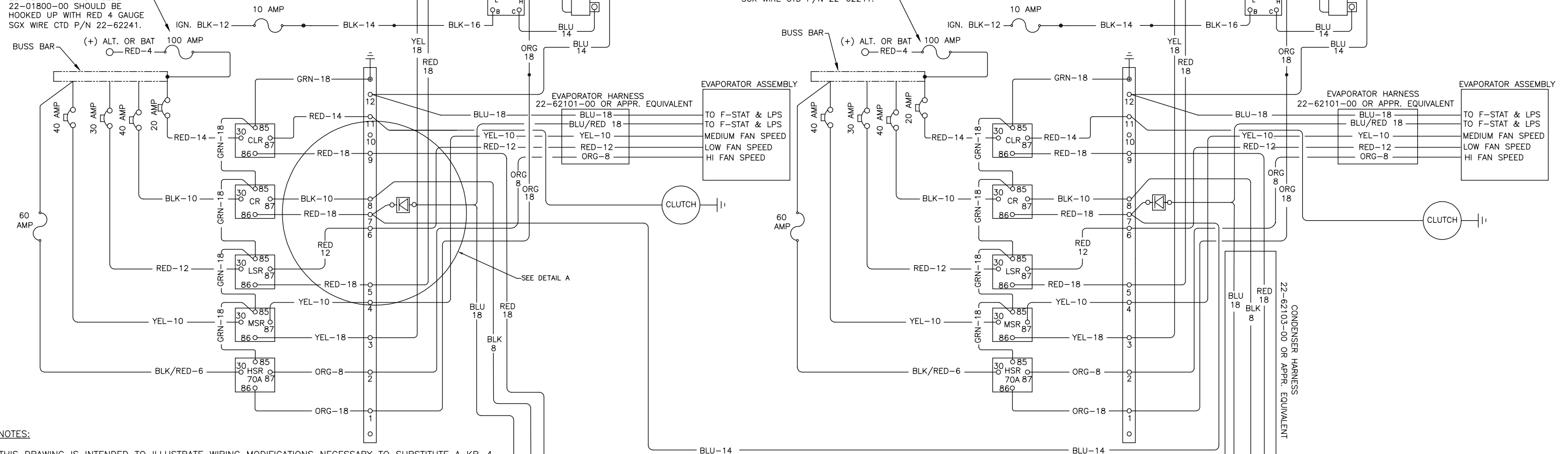
CIRCUIT BREAKER IDENTIFICATION
 TYPE III - MANUAL RESET-RESETS WHEN EXTERNAL BUTTON IS PUSHED.
 TYPE II - RESETS WHEN OVERCURRENT IS CORRECTED OR REMOVED.

BATTERY FUSE NOTE:
 FUSE (100 AMP) MUST BE MOUNTED WITHIN 12" OF THE SOURCE. FUSE CTD PART NO. 22-02336-31 AND HOLDER 22-01800-00 SHOULD BE HOOKED UP WITH RED 4 GAUGE SGX WIRE CTD P/N 22-62241.

PANEL ASSY #91-62046-00

BATTERY FUSE NOTE:
 FUSE (100 AMP) MUST BE MOUNTED WITHIN 12" OF THE SOURCE. FUSE CTD PART NO. 22-02336-31 AND HOLDER 22-01800-00 SHOULD BE HOOKED UP WITH RED 4 GAUGE SGX WIRE CTD P/N 22-62241.

PANEL ASSY #91-62046-00



NOTES:

THIS DRAWING IS INTENDED TO ILLUSTRATE WIRING MODIFICATIONS NECESSARY TO SUBSTITUTE A KR-4 UNIT IN PLACE OF TWO CM-2/3 SKIRT CONDENSERS. THE PANELS AND SCHEMATIC SHOWN HERE ARE FOR ILLUSTRATION ONLY AND SHOW A STANDARD AC 101133/81053 CONFIGURATION.

REFERENCE SCHEMATICS SUPPLIED WITH INSTALLATION KIT AND/OR CONTACT CTD SERVICE HOTLINE FOR ADDITIONAL SUPPORT.

KEY POINTS:

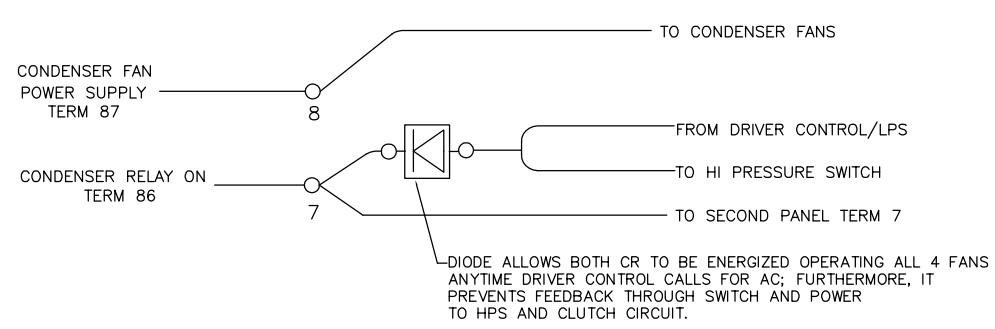
ALL FOUR CONDENSER FANS MUST OPERATE ANYTIME A COMPRESSOR IS IN OPERATION.

DIODES ARE REQUIRED/ADDED TO ALLOW EITHER OF THE MULTIPLE CONTROLS TO TURN ON ALL 4 FANS OF THE KR4 UNIT USING TWO CONDENSER RELAYS ANY TIME A COMPRESSOR IS ON. DIODES PREVENT FEEDBACK THROUGH CONTROLS OR SAFETY CIRCUIT THAT WOULD ALLOW SECOND COMPRESSOR TO BE ON WHEN NOT CALLED FOR BY CONTROLS OR SAFETY CIRCUIT.

CR (CONDENSER RELAY) ARE INTENDED TO OPERATE 2 FANS IN THIS APPLICATION. WHEN USING STANDARD CONDENSER HARNESS (SHOWN) CONNECT TWO OF FOUR FANS TO EACH FAN POWER WIRE.

SAFETY CIRCUITS (INCLUDING FREEZE THERMOSTAT, LOW AND HIGH PRESSURE SWITCHES) MUST BE WIRED TO THE PROPER COMPRESSOR. INSTALLER SHOULD VERIFY THAT THE PROPER COMPRESSOR IS DISENGAGED WHEN CONTROLS OR SAFETY SWITCHES CALL FOR COMPRESSOR TO BE DIS-ABELED.

DETAIL A



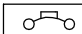
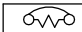
DIODE ALLOWS BOTH CR TO BE ENERGIZED OPERATING ALL 4 FANS ANYTIME DRIVER CONTROL CALLS FOR AC; FURTHERMORE, IT PREVENTS FEEDBACK THROUGH SWITCH AND POWER TO HPS AND CLUTCH CIRCUIT.

SHEET	REV	A	A
INDEX	SHEET	1	2

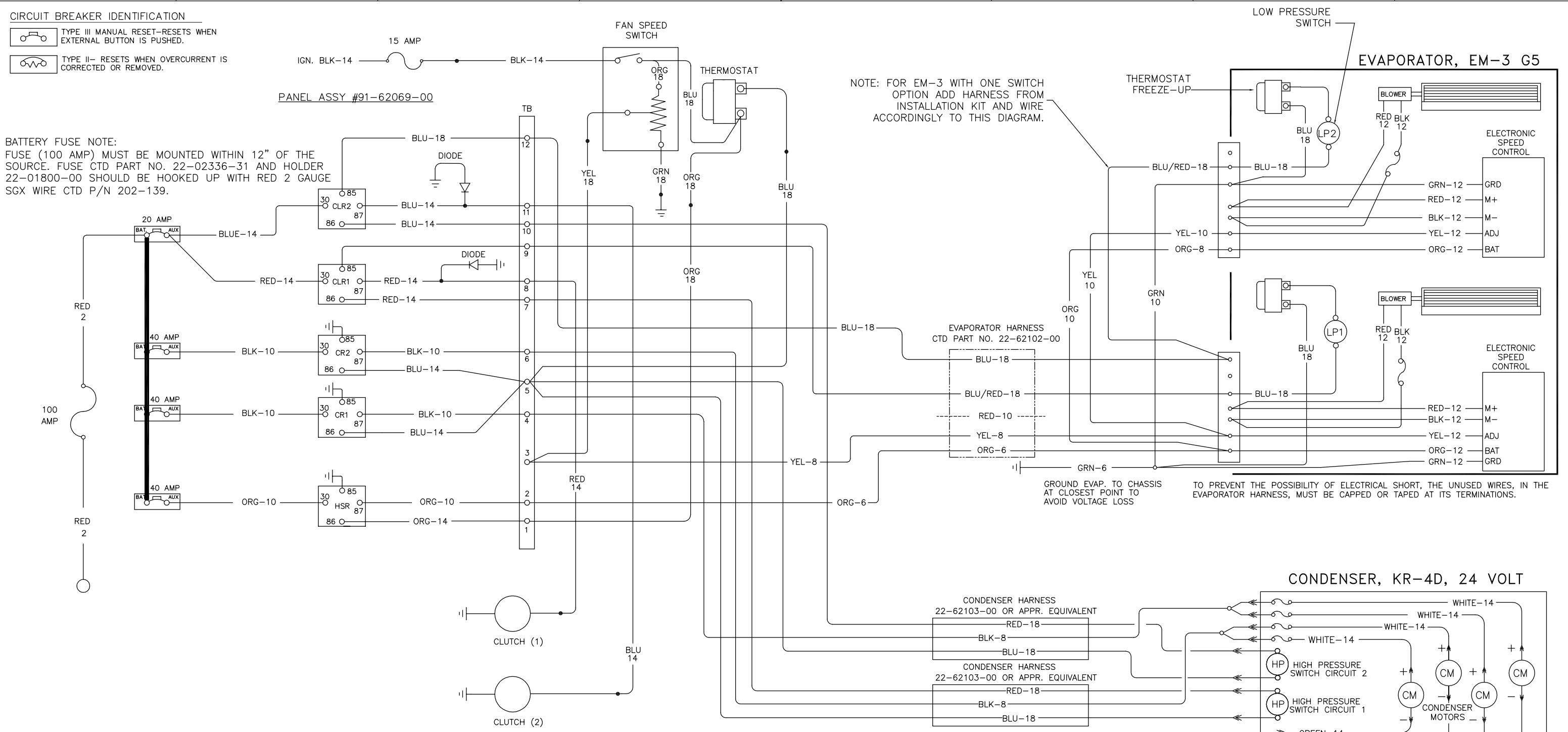
CAD SYSTEM: AutoCAD		IMPERIAL INCH FORMAT: UNLESS OTHERWISE SPECIFIED DIMENSIONS ARE IN INCHES, WITH METRIC CONVERSIONS IN [MILLIMETERS].		<p>Carrier A United Technologies Company Carrier Refrigeration Operations Carrier Transport A/C 715 Willow Springs Lane York, Pennsylvania 17402 USA</p>		
THIRD ANGLE PROJECTION		UNLESS OTHERWISE SPECIFIED TOLERANCES ON: .00 DEC .000 DEC DEC ANG ± .04 ± .020 ± ± 2' [.0] DEC [.00] DEC DEC ±[1.0] ±[.50] ± []				
MATERIAL		SURFACES	HOLE DIA.	HOLE SPACING	HOLE LOC	THIS DOCUMENT AND THE INFORMATION CONTAINED THEREIN IS PROPRIETARY TO CARRIER CORPORATION AND SHALL NOT BE USED OR DISCLOSED TO OTHERS, IN WHOLE OR IN PART, WITHOUT THE WRITTEN AUTHORIZATION OF CARRIER CORPORATION. TITLE INSTAL DIAGRAM SUPPLEMENTAL FOR KR-4D APPLICATIONS SIZE DRAWING NO. 98-63163 REV A SHEET 1 OF 2 NEXT DRAWING NONE SCALE 1:4
		✓ AA	± .005 ± [.13]	± .015 ± [.38] NON-CUMULATIVE	± .03 ± [.8]	
A INITIAL RELEASE		4/12/2010		KMS KMS - 68N430GP09		DIMENSIONS IN (PARENTHESIS) ARE FOR INFORMATION ONLY. TOLERANCES DO NOT APPLY.
SYM REVISION RECORD		DATE	BY	ENGR.	M.E.	WEIGHT
						MFG/PURCH MFG

REV 98-63163 A DWG NO 98-63163 COMMODITY CODE

CIRCUIT BREAKER IDENTIFICATION

-  TYPE III MANUAL RESET—RESETS WHEN EXTERNAL BUTTON IS PUSHED.
-  TYPE II— RESETS WHEN OVERCURRENT IS CORRECTED OR REMOVED.

BATTERY FUSE NOTE:
 FUSE (100 AMP) MUST BE MOUNTED WITHIN 12" OF THE SOURCE. FUSE CTD PART NO. 22-02336-31 AND HOLDER 22-01800-00 SHOULD BE HOOKED UP WITH RED 2 GAUGE SGX WIRE CTD P/N 202-139.




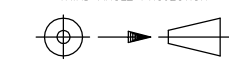
NOTE: FOR EM-3 WITH ONE SWITCH OPTION ADD HARNESS FROM INSTALLATION KIT AND WIRE ACCORDINGLY TO THIS DIAGRAM.

GROUND EVAP. TO CHASSIS AT CLOSEST POINT TO AVOID VOLTAGE LOSS
 TO PREVENT THE POSSIBILITY OF ELECTRICAL SHORT, THE UNUSED WIRES, IN THE EVAPORATOR HARNESS, MUST BE CAPPED OR TAPED AT ITS TERMINATIONS.

NOTES:
 THIS DRAWING IS INTENDED TO ILLUSTRATE WIRING MODIFICATIONS NECESSARY TO SUBSTITUTE A KR-4 UNIT IN PLACE OF CM-2/3 SKIRT CONDENSERS. THE PANELS AND SCHEMATIC SHOWN HERE ARE FOR ILLUSTRATION ONLY AND SHOW A STANDARD AC 833/863 CONFIGURATION.
 REFERENCE SCHEMATICS SUPPLIED WITH INSTALLATION KIT AND/OR CONTACT CTD SERVICE HOTLINE FOR ADDITIONAL SUPPORT.

KEY POINTS:
 ALL FOUR CONDENSER FANS MUST OPERATE ANYTIME A COMPRESSOR IS OPERATION.
 NO DIODES ARE REQUIRED IN THIS APPLICATION TO TURN ON ALL FANS USING TWO CONDENSER RELAYS. VERIFY THAT CR FAN RELAYS ON SIGNAL (POWER TO TERM 86) ARE ON COMMON TERMINAL.
 CR (CONDENSER RELAY) ARE INTENDED TO OPERATE 2 FANS IN THIS APPLICATION. WHEN USING STANDARD CONDENSER HARNESS SHOWN CONNECT TWO OF FOUR FANS TO EACH FAN POWER WIRE.
 SAFETY CIRCUITS (INCLUDING FREEZE THERMOSTAT, LOW AND HIGH PRESSURE SWITCHES) MUST BE WIRED TO THE PROPER COMPRESSOR. INSTALLER SHOULD VERIFY THAT THE PROPER COMPRESSOR IS DISENGAGED WHEN CONTROLS OR SAFETY SWITCHES CALL FOR COMPRESSOR TO BE DIS-ABELED.

A	INITIAL RELEASE	4/12/2010	KMS	KMS	-	68N430GP09
SYM	REVISION RECORD	DATE	BY	ENGR.	M.E.	NPCA NO.

CAD SYSTEM: AutoCAD		IMPERIAL INCH FORMAT: UNLESS OTHERWISE SPECIFIED DIMENSIONS ARE IN INCHES, WITH METRIC CONVERSIONS IN [MILLIMETERS].		 Carrier A United Technologies Company Carrier Refrigeration Operations Carrier Transport A/C 715 Willow Springs Lane York, Pennsylvania 17402 USA	
 THIRD ANGLE PROJECTION		UNLESS OTHERWISE SPECIFIED TOLERANCES ON: .00 DEC .000 DEC DEC ANG ± .04 ± .020 ± ± 2' [.0] DEC [.00] DEC DEC ±[1.0] ±[.50] ± []			
MATERIAL		SURFACES ✓ AA	HOLE DIA. ± .005 ± [.13]	HOLE SPACING ± .015 ± [.38] NON-CUMULATIVE	THIS DOCUMENT AND THE INFORMATION CONTAINED THEREIN IS PROPRIETARY TO CARRIER CORPORATION AND SHALL NOT BE USED OR DISCLOSED TO OTHERS, IN WHOLE OR IN PART, WITHOUT THE WRITTEN AUTHORIZATION OF CARRIER CORPORATION. TITLE INSTAL DIAGRAM SUPPLEMENT FOR KR-4D APPLICATIONS SIZE D DRAWING NO. 98-63163 REV A SHEET 2 OF NEXT DRAWING NONE SCALE 1:4
DIMENSIONS IN (PARENTHESIS) ARE FOR INFORMATION ONLY. TOLERANCES DO NOT APPLY.					

A
 REV
 98-63163
 DWG NO
 COMMODITY CODE