



**TRANSICOLD**

# Compressor

**MODEL  
05G**

**SERVICE  
PARTS LIST**

**62-10299**

**\$3.00**



**TRANSCOLD**

# Service Parts List

## MODEL

### 05G COMPRESSOR

#### CONTENTS

INTRODUCTION .....	I
ORDERING INSTRUCTIONS .....	I
GENERAL NOTES .....	i
1. TOOLS / OILS / FITTINGS .....	1
2. CRANKCASE AND SUCTION SERVICE VALVE .....	2
3. COMPRESSOR BASE GROUP .....	3
4. BEARING HEAD AND OIL PUMP .....	4
5. UNLOADERS .....	6
6. CRANKSHAFT, ROD AND PISTON GROUP .....	8
7. SHAFT END GROUP .....	9
8. SIDE CYLINDER HEAD .....	10
9. CENTER CYLINDER HEAD .....	10
10. VALVE PLATE ASSEMBLY .....	11
11. GASKET SET – FIBER UNIVERSAL .....	12
12. GASKET SET – METAL .....	13

Carrier Transicold Division, Carrier Corporation, P.O. Box 4805, Syracuse, N.Y. 13221 U. S. A.

Carrier Transicold E.T.O. Boite Postale Nr. 16 Franqueville – Saint–Pierre 76520 Boos, FRANCE

© Carrier Corporation 1999 • Printed in U. S. A. 0999



**Carrier**

A United Technologies Company

# 05G

---

## INTRODUCTION

This parts list identifies service replacement parts for the Model 05G Compressors listed in the Model Chart below.

## MODEL CHART

MODEL	PART NO.	USED ON	REMARKS
05GX-37CFM	17-44051-00	NDB/NDS/NDF NDJ – Prior to S/N AAN	Remanufactured compressors (less service valves), for use with or without unloaders.
05GX-37CFM	17-44052-01	NDJ/NDA – Starting with S/N AAN	
05GX-41CFM	17-44101-01	NDJ/NDA – Starting with S/N AAN	
05GX-37CFM	18-00059-126RM	NDA Phoenix Extra	
05GX-37CFM	18-00059-128RM	NDM Extra/Ultra Standby	
05GX-41CFM	18-00059-127RM	NDA/NDX Phoenix Ultra/Ultima	
05GX-41CFM	18-00059-129RM	NDM Ultra Standby	
05GX-37CFM	18-00059-130RM	Supra 922/944	

## ORDERING INSTRUCTIONS

All orders and inquiries for parts must include: Unit Serial Number, Part no., description of part as shown on list and quantity required. Address all correspondence for parts to the following address:

CARRIER TRANSICOLD DIVISION  
Replacement Components Group, TR-20  
P.O. Box 4805, Syracuse, NY 13221.  
or  
Fax to: (315) 432-3778

## GENERAL NOTES

To find replacement parts consult table of contents, and turn to the appropriate page for the illustrated breakdown of replacement parts. The following letter designations are used to classify parts throughout this list.

A/R *As Required*

NS *Not Shown* in the illustration

NSA *Non-Stock Assembly* – order components listed under the assembly.

NSI *Non-Stock Item* – may be available on special order.

NSS *Not Sold Separately* – order next higher assembly or kit.

PL *Purchase Locally*

# 05G

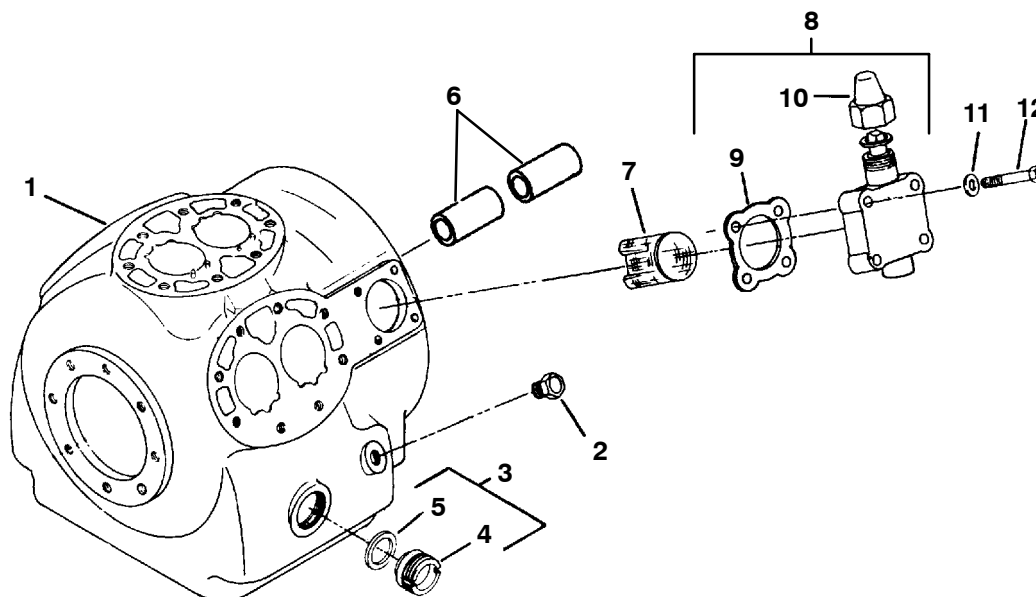
## 1. TOOLS / OILS / FITTINGS

ITEM	PART NO.	DESCRIPTION
NS	07-00219-00	Wrench, Compressor Sight Glass
NS	07-00223-00	Pliers, Compressor Unloader Ring
NS	07-00260-00	Acid Test Kit, Mineral oils
NS	07-00337-00	Acid Test Kit, POE oils
NS	07-00265-01	Total Test Kit (Package of 1)
NS	07-00266-00	Replacement Tubes for Total Test Kit
NS	07-00274-00	Oil Synthetic 150 (1 gallon)
NS	07-00275-00	Oil Non-Synthetic 150 (1 gallon)
NS	07-00317-00	Oil POE 68 (1 gallon)
NS	07-00316-00	Meter, Refractometer for compressor oil
NS	17-55013-00	Kit, Unloader Valve Blank-off plate (hot gas by pass)
NS	17-21056-00	Kit, Unloader Valve Blank-off plate (suction cut out)
NS	17-13006-00	Kit Valve Pad Blank off 4 bolt Suction Service Valve
NS	17-13004-00	Kit Valve Pad Blank off 2 bolt Discharge Service Valve
NS	58-00869-00	Filter, Felt (Suction Sock for System Clean Up)
NS	17-13010-00	Fitting, Male 1/8 NPT X Male 1/4 Flare Access Port W/Shrader
NS	06DA403844	Fitting, Male 1/4 NPT X Male 1/4 Flare Access Port W/Shrader
NS	OTBO889	Fitting, Male 7/16-20 O-Ring X Male 1/4 Flare Access Port /Shrader
NS	07-00319-00	Bushing, Male 1/4 NPT X Female 7/16 O-Ring
NS	40-00528-02	Bushing, Male 7/16-20 O-Ring X Female 1/4 NPT
NS	40-00528-00	Bushing, Male 9/16-18 O-Ring X Female 1/4 NPT
NS	40-00121-01	Bushing, 1/4 NPT x 1/8 NPT
NS	40-00129-02	Elbow, Street 90 degree 1/4 MPT x 1/4 FPT
NS	40-00102-03	Elbow, 1/4 Flare x 1/8 NPT
NS	40-01166-00	Elbow, 90 degree Male 9/16-18 O-Ring X Female 1/4 NPT
NS	40-01166-01	Elbow, 90 degree Male 7/16-20 O-Ring X Female 1/4 NPT
NS	17-44037-00	Plug, 7/16-20 O-Ring
NS	17-44706-00	Plug, 9/16-18 O-Ring
NS	79-00965-00	Tee, Snubber 1/8 x 1/8 x 1/8

# 05G

ITEM	PART NO.	DESCRIPTION	QTY
------	----------	-------------	-----

## 2. CRANKCASE AND SUCTION SERVICE VALVE

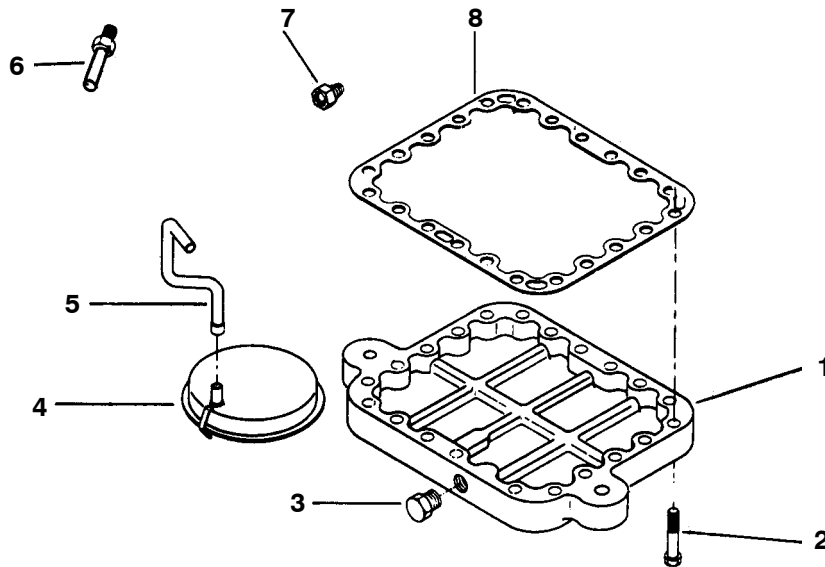


1	NSA	Crankcase	1
2	PL	Pipe Plug, 1/4-18 NPT	3
2	17-44037-00	Plug, with O-Ring 7/16-20	1
NS	42-00243-07	O-Ring, for 7/16-20 straight thread fittings	1
3	17-10218-00	Sight Glass, Oil Level - Includes:	2
4	NSS	Sight Glass	1
5	17-10218-02	Gasket (Fiber)	1
5	17-44021-00	Gasket (Metal)	1
6	17-44015-00	Bearing, Main Seal End (Requires Line Boring)	2
7	17-44005-00	Strainer, Suction	1
8	17-40002-01	Valve, Service, 1-3/8 ODF (4 Bolt) - Includes:	1
9	17-40005-05	Gasket, Service Valve (Fiber)	1
10	17-10812-00	Cap, Service Valve (Plastic) - Includes:	1
9	17-44141-00	Gasket, Service Valve (Metal)	1
10	17-10806-10	Cap, Service Valve (Brass)	1
11	17-40007-00	Gasket, Capscrew, 1/2	4
12	17-40006-00	Capscrew, Hex Head, 1/2-13 x 2-1/2 lg - SAE Grade 8	4
NS	17-13006-00	Kit Valve Pad Blank off 4 bolt Suction Service Valve	1
NS	17-13022-00	Packing, Service Valve Stem	1

# 05G

ITEM	PART NO.	DESCRIPTION	QTY
------	----------	-------------	-----

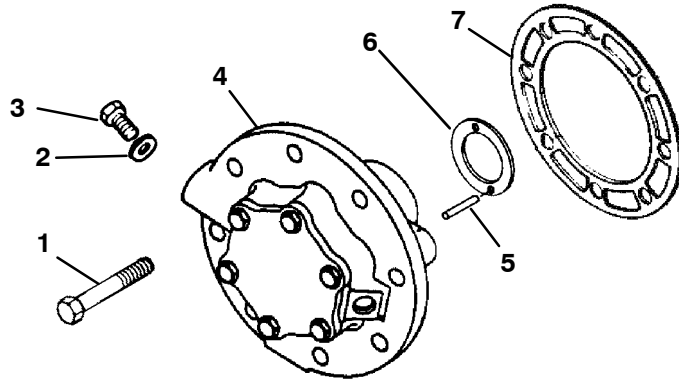
## 3. COMPRESSOR BASE GROUP



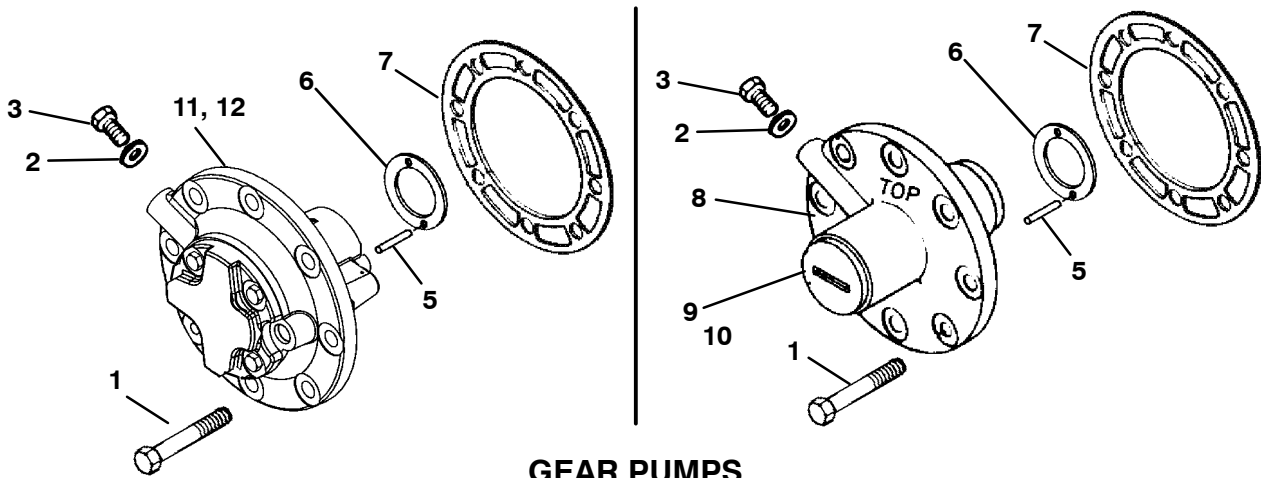
1	17-44035-00	Plate, Bottom Cover ( <b>"NON"</b> Ultra Style Compressors )	1
1	17-44026-00	Plate, Bottom Cover ( <b>Ultra Style Compressors</b> )	1
2	17-44117-00	Capscrew, Hex Head, 3/8-16 x 2-1/4 lg - SAE Grade 8	22
3	PL	Pipe Plug, <b>1/4-18 NPT</b>	1
3	17-44037-00	Plug, with O-Ring <b>7/16-20</b>	1
NS	42-00243-07	O-Ring, for 7/16-20 straight thread fittings	1
4	17-40020-00	Oil Filter Screen Assembly	1
5	17-40021-00	Tube, Oil Suction	1
6	17-44011-00	Oil Relief Valve	1
7	17-40042-00	Oil Return Check Valve Assembly	2
8	17-40033-05	Gasket, Bottom Plate ( <b>Fiber</b> )	1
8	17-44129-00	Gasket, Bottom Plate ( <b>Metal</b> )	1

# 05G

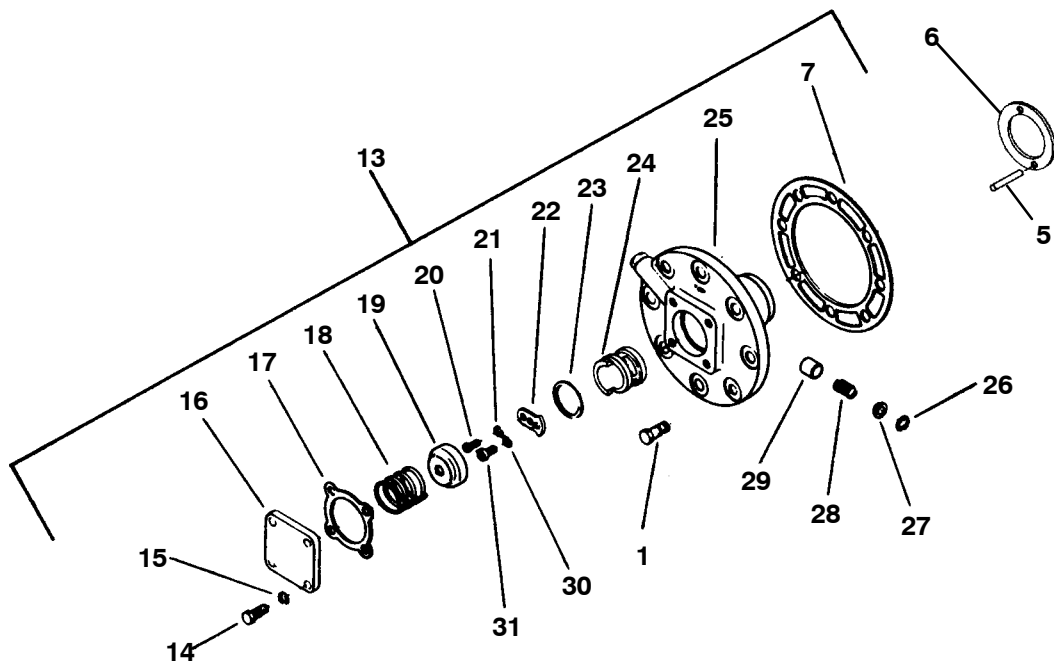
## 4. BEARING HEAD AND OIL PUMP



**UNIVERSAL GEAR PUMP**



**GEAR PUMPS**



**VANE PUMP**

# 05G

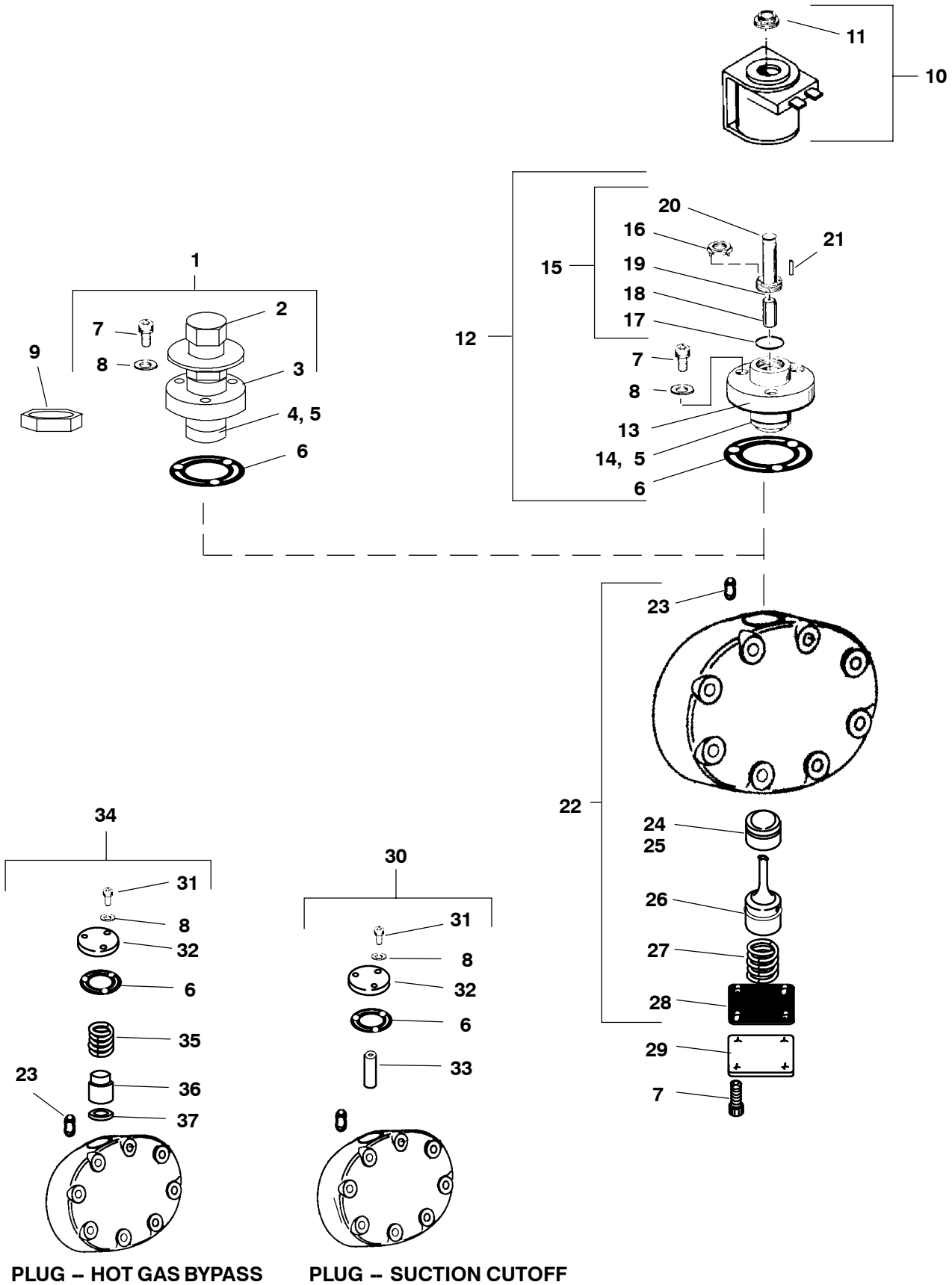
ITEM	PART NO.	DESCRIPTION	QTY
<b>4. BEARING HEAD AND OIL PUMP</b>			
1	17-10308-00	Capscrew, Hex Head, 3/8-16 x 1-1/4 lg - SAE Grade 5	8
2	17-40019-00	Washer, Seal	1
2	42-00243-07	O-Ring, for <b>7/16-20 straight thread fittings</b>	1
3	PL	Capscrew, <b>3/8-16 X3/4 lg</b>	1
3	17-44037-00	Plug, with O-Ring <b>7/16-20</b>	1
4	17-44137-00	Oil Pump and Bearing Head ( <b>Universal Gear Pump</b> )	1
NS	17-44139-00	O-Ring, Pump cover plate	1
5	17-40204-00	Pin Roll, 1/8 dia X 1/2 lg	2
6	17-55009-01	Thrustwasher, Pump End	1
7	17-40078-05	Gasket, Bearing Head ( <b>Fiber</b> )	1
7	17-44022-00	Gasket, Bearing Head ( <b>Metal</b> )	1
8	SEE NOTE	Oil Pump and Bearing Head Assembly ( <b>Gear Pump</b> )- Includes:	1
9	17-44033-01	Cover Assembly, Screw - Includes:	1
10	17-44033-02	O-Ring	1
11	SEE NOTE	Oil Pump and Bearing Head ( <b>Low Profile Gear Pump</b> ) - Includes:	1
12	42-00045-01	O-Ring	1
13	17-40200-02	Oil Pump and Bearing Head Assembly ( <b>Vane Pump</b> ) - Includes:	1
7	17-40078-05	Gasket, Bearing Head	1
14	17-40077-05	Capscrew, Hex Head, 5/16-18 x 3/4 - SAE Grade 8	4
15	17-40013-00	Gasket, Capscrew, 5/16	4
16	17-40076-00	Cover, Oil Pump	1
17	17-40075-05	Gasket, Oil Pump Cover	1
18	17-40069-00	Spring, Oil Feed Vane	1
19	17-40070-00	Guide, Oil Feed Vane	1
20	17-40072-00	Capscrew, Socket Head, #10-32 x 1/2 - SAE Grade B7	1
21	17-40073-00	Lockwasher, #10	1
22	17-40071-00	Drive Segment, Oil Pump	1
23	17-40068-00	Retaining Ring, Rotor	1
24	17-40067-00 (NSI)	Pump, Rotor	1
25	NSS	Head (Includes Bearing)	1
26	17-40066-00	Ring, Plunger Retaining	2
27	17-40065-00	Guide Plunger Vane Spring	2
28	17-40064-00	Spring Plunger	2
29	17-40063-00 (NSI)	Vane, Pump	2
30	17-10715-00	Lockwasher, 1/4	1
31	17-40074-01	Capscrew, Socket Head, 1/4-28 x 5/8 - SAE Grade B7	1

NOTE: 17-44033-10 and 17-44714-00 Oil Pump and Bearing Head Assemblies (Gear Pump) are **No Longer Offered use Item 4**



# 05G

## 5. UNLOADERS



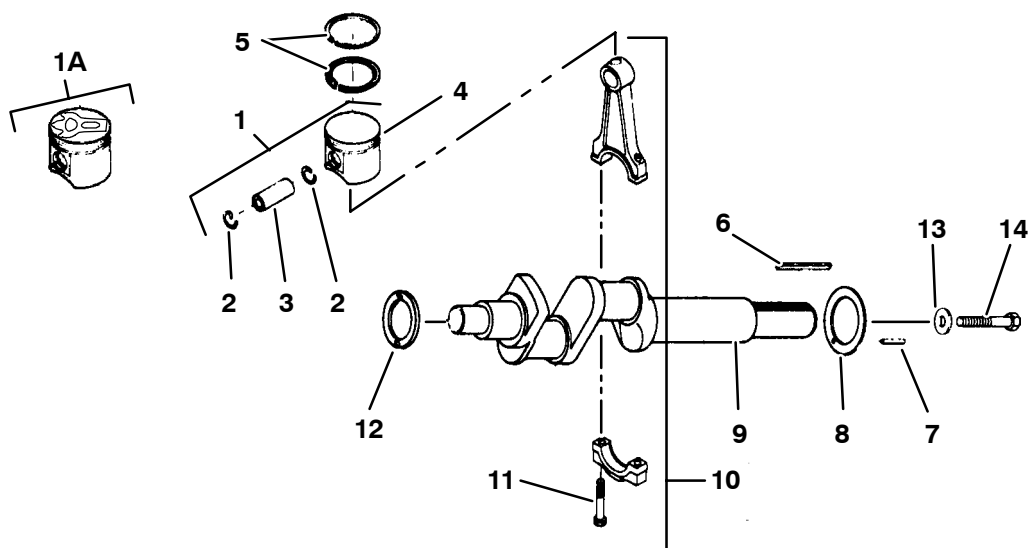
# 05G

ITEM	PART NO.	DESCRIPTION	QTY
<b>5. UNLOADERS</b>			
1	17-55018-01	Valve Assembly (Pressure) – Includes:	A/R
2	NSS	Power Assembly, Unloader (Suction Press Activated)	1
3	NSS	Body Assembly, Valve	1
4	17-40409-00	Piston (For Hot Gas Bypass Unloaders) – Includes:	1
5	17-55010-00	Ring, Piston	1
6	17-40104-07	Gasket, Unloader Valve	1
7	17-40111-00	Screw, Socket Head (1/4-28 x 0.75" lg)	1
8	17-40104-20	Gasket, Socket Head Screw (1/4)	1
9	34-01139-00	Nut, Unloader Adjuster Lock	
10	22-02567-00	Coil, Valve <b>(12 v-dc with Spade Terminal)</b> – Includes:	A/R
10	14-00143-07	Coil, Valve <b>(12 v-dc)</b> – Includes:	A/R
10	22-50030-00	Coil, Valve <b>(24 v-dc)</b> – Includes:	A/R
10	22-02567-01	Coil, Valve <b>(24 v-ac)</b> – Includes:	A/R
10	16-00149-00	Coil, Valve <b>(115 v-ac)</b> – Includes:	A/R
10	17-10829-00	Coil, Valve <b>(230 v-ac)</b> – Includes:	A/R
11	17-40408-02	Cap, Snap	1
12	17-40407-20	Valve Assembly (Electric) – Includes:	A/R
13	NSS	Body Assembly, Valve	1
14	17-40409-00	Piston (For Hot Gas Bypass Unloaders) – Includes:	1
5	17-55010-00	Ring, Piston	1
15	16-00143-01	Kit, Valve Body – Includes:	1
16	NSS	Installation/Remover Tool	1
17	17-55022-00	Gasket, O-Ring	1
18	NSS	Plunger Assembly	1
19	NSS	Spring, Plunger	1
20	NSS	Tube, Enclosing	1
21	34-06026-00	Pin, Unloader Coil Retainer	
11	17-40408-02	Cap, Snap	1
6	17-40104-07	Gasket, Unloader Valve	1
7	17-40111-00	Screw, Socket Head (1/4-28 x 0.75" lg)	3
8	17-40104-20	Gasket, Socket Head Screw (1/4)	3
22	17-21055-00	Kit, Repair (For Suction Cutoff Unloaders) – Includes:	2
23	17-40108-00	Strainer	1
24	17-21047-00	Ring, Piston	1
25	NSS	Piston	1
26	NSS	Body, Valve	1
27	17-21044-00	Spring, Compression	1
28	17-21046-00	Gasket, Valve Cover	1
6	17-40104-07	Gasket, Unloader Valve	1
29	17-21045-00	Cover, Valve	1
30	17-21056-00	Kit, Plug (Suction Cutoff To Fully Loaded) – Includes:	A/R
31	17-10721-00	Capscrew, Socket (1/4-28 x 1.00" lg)	3
32	NSS	Plate, Cover	1
33	NSS	Sleeve, Plug	1
6	17-40104-07	Gasket, Unloader Valve	1
8	17-40104-20	Gasket, Screw (1/4)	3
34	17-55013-00	Kit, Plug (Hot Gas Bypass To Fully Loaded) – Includes:	A/R
35	NSS	Spring	1
36	NSS	Plug	1
37	17-55014-00	Ring, Seat	1
6	17-40104-07	Gasket, Unloader Valve	1
8	17-40104-20	Gasket, Screw (1/4)	3
23	17-40108-00	Strainer	1
31	17-10721-00	Capscrew, Socket (1/4-28 x 1.00" lg)	3
32	NSS	Plate, Cover	1

# 05G

ITEM	PART NO.	DESCRIPTION	QTY
------	----------	-------------	-----

## 6. CRANKSHAFT, ROD AND PISTON GROUP



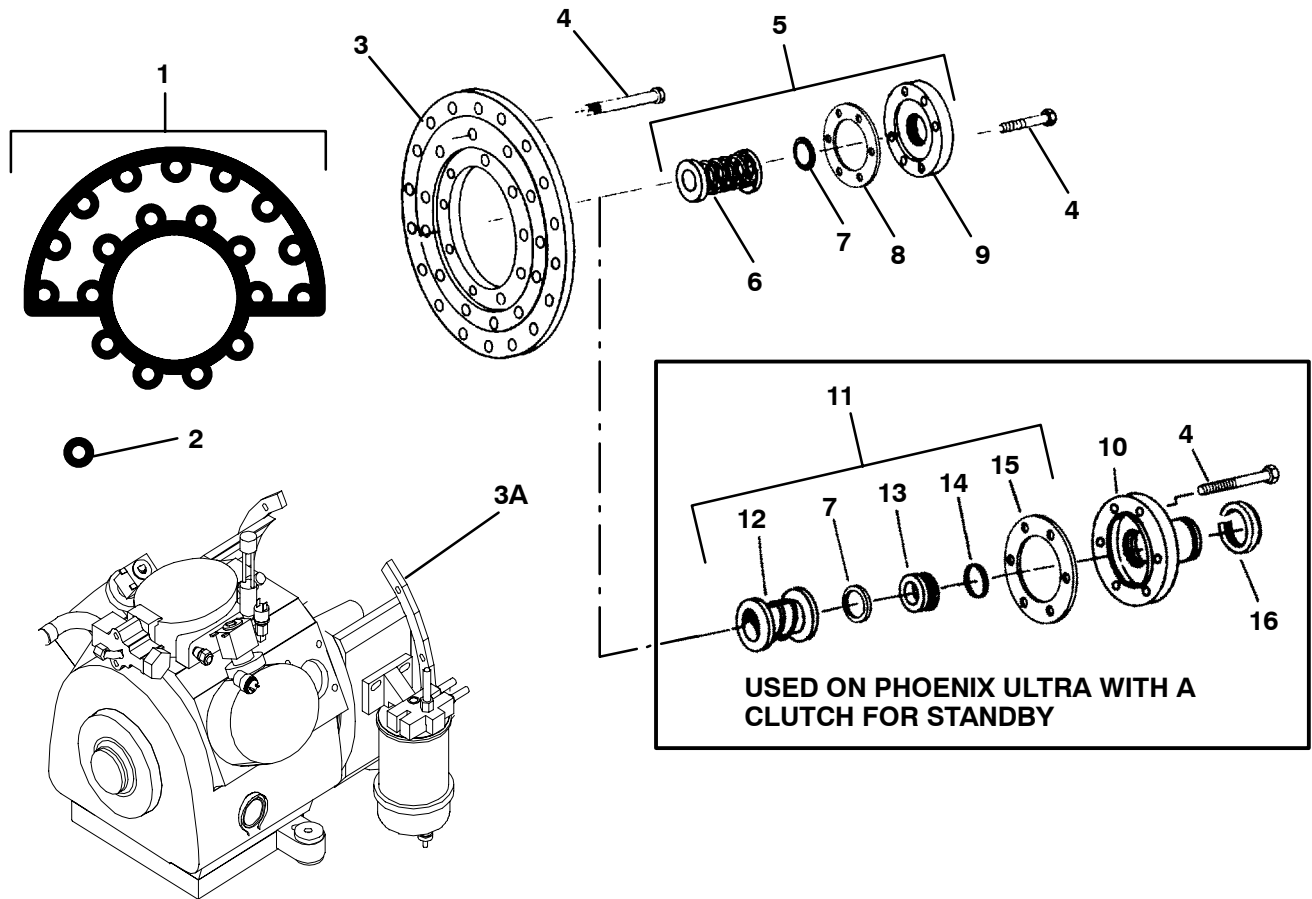
*1A	17-44016-05	Piston & Pin ( <b>Standard-Contoured Head - 37 cfm</b> ) - Includes:	6
*1A	17-44016-07	Piston & Pin ( <b>.020 Over-Contoured Head - 37 cfm</b> ) - Includes:	A/R
*1A	17-44115-01	Piston & Pin ( <b>Standard-Contoured Head- 41 cfm</b> )- Includes:	6
*1A	17-44115-20	Piston & Pin ( <b>.020 Over-Contoured Head- 41 cfm</b> )- Includes:	6
1	17-44045-01	Piston & Pin ( <b>Standard - 37 cfm</b> ) - Includes:	6
1	17-44045-03	Piston & Pin ( <b>.020 Over - 37 cfm</b> ) - Includes:	A/R
2	17-40053-00	Retainer, Piston Pin	2
3	NSS	Pin, Piston	1
4	NSS	Piston	1
5	17-40055-00	Ring, Compression ( <b>Standard</b> )	12
5	17-55025-00	Ring, Compression ( <b>.020 Inch Oversize</b> )	12
5	17-40054-00	Ring, Oil ( <b>Used on old 37 cfm pistons with wider lower ring groove</b> )	A/R
6	17-40324-00	Key, Crankshaft, 1/4 x 1/4 x 1-1/2 lg	1
6	68G2-9072	Key, Crankshaft ( <b>For Units With Clutch Hub</b> )	1
7	17-44036-00	Pin, Spiral, 1/8 x 1/2 lg	2
8	17-44008-00	Thrustwasher, Seal End	1
9	17-44010-00	Crankshaft ( <b>37 cfm Vane Pump</b> ) - Includes:	1
9	17-40410-00	Crankshaft ( <b>37 cfm "All" Gear Pumps</b> ) - Includes:	1
9	17-40412-00	Crankshaft Assembly ( <b>41 cfm "All" Gear Pump</b> ) - Includes:	1
NS	17-40312-00	Expansion Plug ( <b>Vane Pump</b> )	2
NS	17-40317-00	Expansion Plug ( <b>Gear Pump</b> )	2
NS	PL	Setscrew, 1/4-28 x 1/2 lg	1
NS	NSS	Counterweight	1
NS	PL	Screw, Hex Head, 1/4-20 x 7/8 lg	2
10	17-40056-02	Connecting Rod & Cap Assembly ( <b>Standard</b> ) - Includes:	6
10	17-40056-21	Connecting Rod & Cap Assembly ( <b>.010</b> ) - Includes:	A/R
NS	17-40057-00	Pin, Dowel	2
11	17-55008-00	Capscrew (Special)	2
12	17-55009-01	Thrustwasher, Pump End	1
13	34-00616-00	Washer, 13/32 ID x 1-1/2 OD x 3/16 Thick	1
14	34-00613-07	Capscrew, Hex Head, 3/8 UNF x 7/8 - SAE Grade 8	1

\*For Refrigeration Use Only

# 05G

ITEM	PART NO.	DESCRIPTION	QTY
------	----------	-------------	-----

## 7. SHAFT END GROUP



1	17-44001-06	Gasket, Shaft End Cover ( <b>Fiber</b> ) - Includes:	1
1	17-44119-00	Gasket, Shaft End Cover ( <b>Metal</b> ) - Includes:	1
2	17-44014-00	Gasket, Flange Spacer	2
3	17-44002-00	Flange, Mounting Shaft End ( <b>Non Ultra Style</b> )	1
3A	17-44025-00	Flange, Mounting Shaft End ( <b>Ultra Style</b> )	2
4	17-10308-00	Capscrew, 3/8-16 x 1-1/4 lg - SAE Grade 5	21
5	17-44130-00	Seal Assembly ( <b>Standard</b> ) - Includes:	1
5	17-44145-00	Seal Assembly ( <b>Silicone Carbide</b> ) - Includes:	1
6	NSS	Seal Shaft	1
7	17-44131-01	Washer, Carbon	1
8	17-44004-06	Gasket, Seal Cover - <b>Steel</b>	1
9	NSS	Seal Cover, Shaft ( <b>Standard</b> )	1
9	NSS	Seal Cover, Shaft ( <b>Silicone Carbide</b> )	1
NS	17-44043-02	O-Ring Used with Silicone Carbide	1

### THE FOLLOWING PARTS ARE USED ON PHOENIX ULTRA WITH A CLUTCH FOR STANDBY

10	17-44019-00	Hub, Clutch Mounting	1
NS	17-44042-00	Felt ring and Retainer	1
11	17-44140-00	Seal Assembly ( <b>Standard</b> ) - Includes:	1
11	17-44150-00	Seal Assembly ( <b>Silicone Carbide</b> ) - Includes:	1
7	17-44131-01	Washer, Carbon	1
12	NSS	Seal Shaft	1
13	NSS	Ring, Wear (Silicone Carbide)	1
14	17-44043-02	O-Ring	1
15	17-44004-05	Gasket, Seal Cover ( <b>Fiber</b> )	1
15	17-44004-06	Gasket, Seal Cover ( <b>Metal</b> )	1
16	50-00221-30	Ring, Snap	1

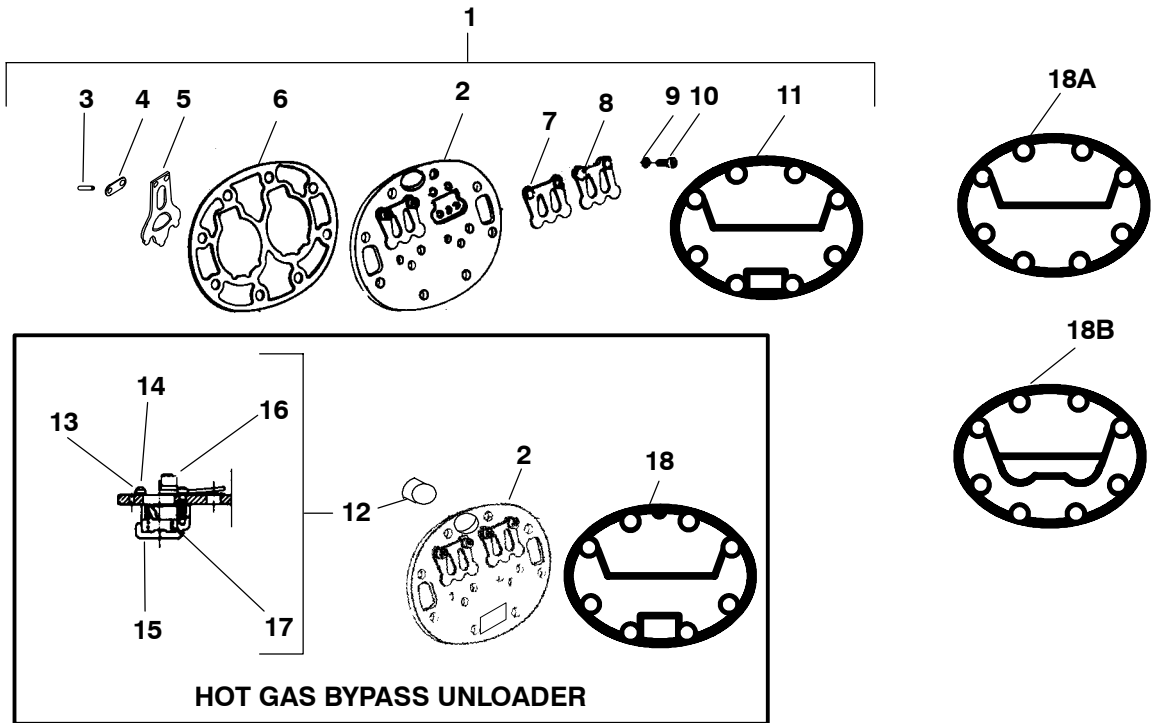
# 05G

ITEM	PART NO.	DESCRIPTION	QTY
<b>8. SIDE CYLINDER HEAD</b>			
1	17-40108-00	Strainer	2
2	17-21041-00	Cylinder Head - Side Banks ( <b>Suction Cutoff Unloader</b> )	2
2	17-40104-05	Cylinder Head - Side Banks ( <b>Hot Gas Bypass Unloader</b> )	2
3	17-10224-05	Capscrew, Hex Head, 3/8-16 x 3-1/4 lg - SAE Grade 8	16
4	17-44017-00	Stud, Cylinder Head, 3/8-16 x 4-1/4 lg	A/R
5	17-40015-00	Cylinder Head - Side Bank (No Unloader)	2
6	17-44116-00	Capscrew, Hex Head, 3/8-16 x 2-3/4 lg - SAE Grade 8	16
7	17-44017-01	Stud, Cylinder Head, 3/8-16 x 3-3/4 lg	A/R
8	17-21040-00	Cylinder Head - Side Bank (Shaved)	A/R
9	17-40034-05	Capscrew, Hex Head, 3/8-16 x 2 lg - SAE Grade 8	6
10	17-40037-05	Capscrew, Hex Head, 3/8-16 x 1 lg - SAE Grade 8	2
11	17-44732-00	Stud, Cylinder Head, 3/8-16 x 2 lg	A/R
<b>9. CENTER CYLINDER HEAD</b>			
1	17-40012-00	Capscrew, Hex Head, 5/16-18 x 2 lg - SAE Grade 8	2
2	17-40013-00	Gasket, Capscrew, 5/16	2
3	14-01042-04	Valve, Service 7/8 ODF - Includes:	1
3	14-01042-03	Valve, Service 1-1/8 ODF - Includes:	1
4	17-10812-00	Cap, Service Valve ( <b>Plastic</b> )	1
5	17-10811-05	Gasket, Service Valve ( <b>Fiber</b> )	1
4	17-10806-10	Cap, Service Valve ( <b>Brass</b> )	1
6	17-40016-01	Cylinder Head - Center Bank	1
7	17-10224-05	Capscrew, Hex Head, 3/8-16 x 3-1/4 lg - SAE Grade 8	8
8	PL	Pipe Plug 1/4-18 NPT	2
9	17-44017-00	Stud, Cylinder Head, 3/8-16 x 4-1/4 lg	A/R
NS	17-13004-00	Kit Valve Pad Blank off 2 bolt Discharge Service Valve	1
NS	17-13022-00	Packing, Service Valve Stem	1

# 05G

ITEM	PART NO.	DESCRIPTION	QTY
------	----------	-------------	-----

## 10. VALVE PLATE ASSEMBLY

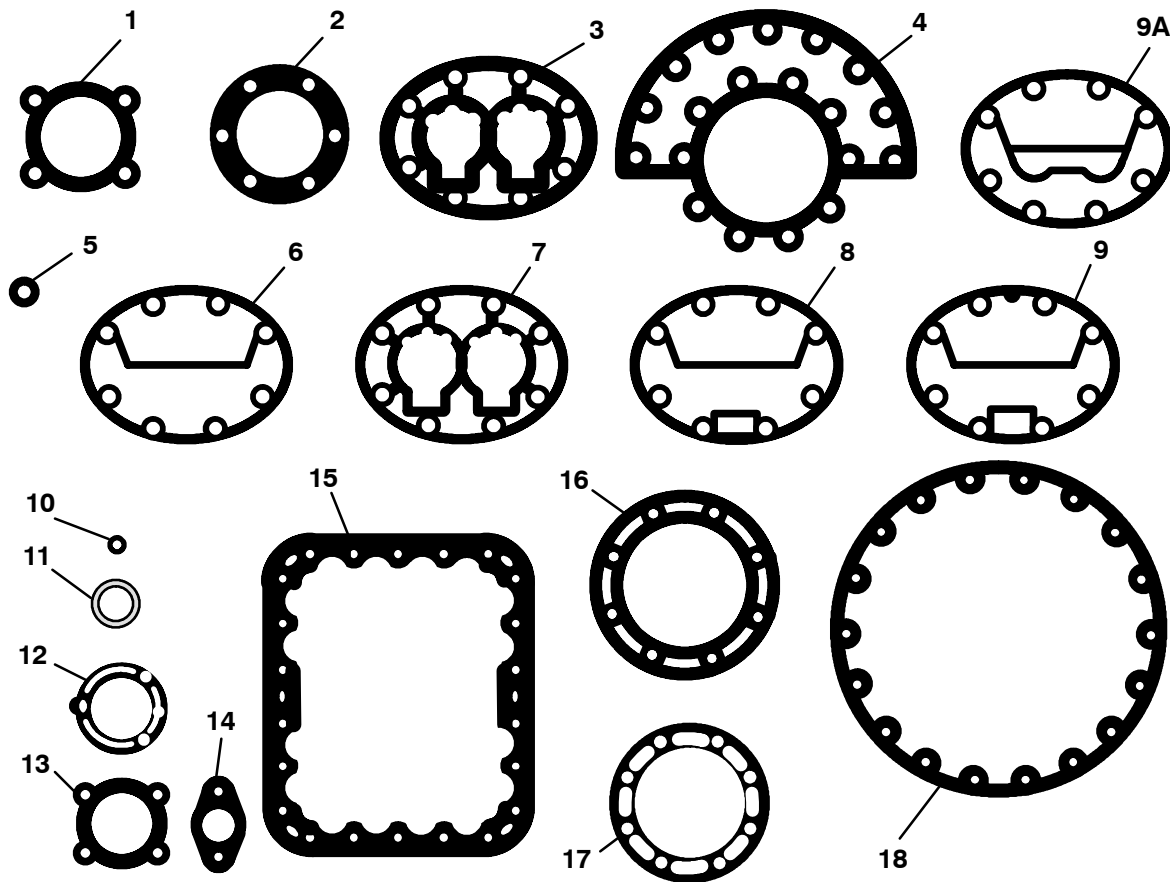


1	17-44104-00	Valve Plate ( <b>Canted Narrow Seat, Side Bank with hot gas bypass unloader</b> ) -Includes:	1
1	17-44105-00	Valve Plate ( <b>Canted Narrow Seat, Center or Side with suction cutoff unloader or No unloader</b> ) - Includes:	1
2	NSS	Valve Plate	1
3	17-40057-00	Dowel, Pin Suction Valve	4
4	17-40083-00	Spring, Suction Valve Position	2
5	17-44111-00	Valve, Suction ( <b>0.018</b> ) - <b>05G and 05K</b>	2
6	17-44007-06	Gasket, Valve Plate ( <b>05G</b> )	1
6	17-55002-00	Gasket, Valve Plate ( <b>05D &amp; 05K</b> )	1
7	17-40086-00	Valve, Discharge	2
8	17-44160-00	Stop, Discharge Valve	2
9	17-10715-00	Lockwasher, 1/4	4
10	17-44113-00	Capscrew, Hex Head, 1/4-28 x 3/8 lg	4
11	17-44123-00	Gasket, Center Cylinder Head	1
12	17-55012-00	Unloader Check Valve ( <b>Hot Gas Bypass Unloader</b> ) - Includes:	1
13	NSS	Lockwasher, #6	2
14	NSS	Screw, Round Phillips Head, #6-32 x 1/2 lg	2
15	NSS	Body Check Valve	1
16	17-40104-08	Piston, Check Valve	1
17	17-40104-09	Spring, Check Valve	1
18	17-44126-00	Gasket, Side Cylinder Head ( <b>Hot Gas Bypass Unloader</b> )	1
18A	17-44124-00	Gasket, Side Cylinder Head ( <b>No Unloader</b> )	1
18B	17-44125-00	Gasket, Side Cylinder Head ( <b>Suction Cutoff Unloader</b> )	1

# 05G

ITEM	PART NO.	DESCRIPTION	QTY
------	----------	-------------	-----

## 11. GASKET SET - FIBER UNIVERSAL

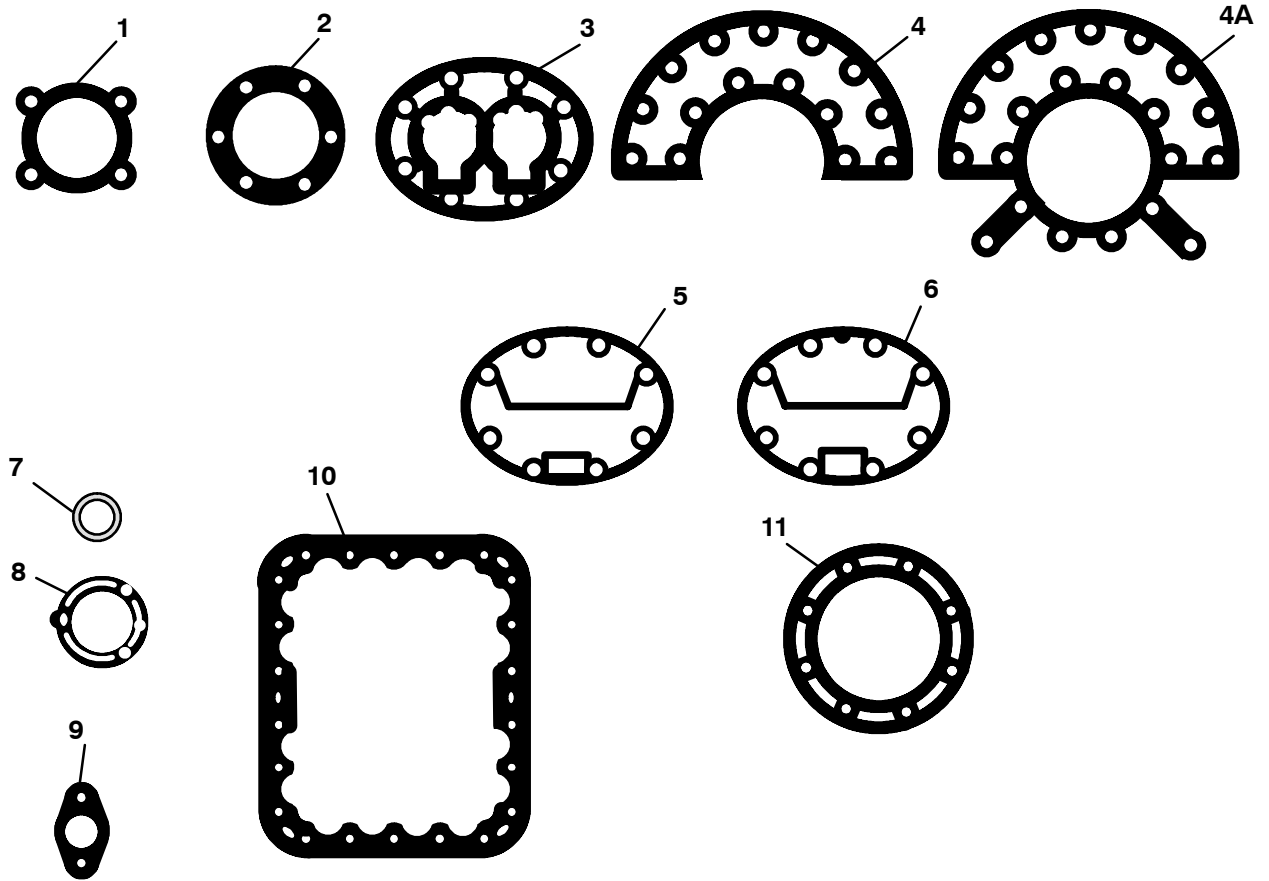


-	17-55020-20	Gasket Set (Fiber Universal) - Includes:	1
1	17-40005-05	Gasket, Suction Service Valve (4 Bolt)	1
2	17-44004-05	Gasket, Shaft Seal <b>(05G with hub - Fiber)</b>	1
2	17-44004-06	Gasket, Shaft Seal <b>(05G with standard cover plate-Steel)</b>	1
3	17-44007-06	Gasket, Valve Plate <b>(05G)</b>	3
4	17-44001-06	Gasket, End Flange <b>(05G)</b> - Includes:	1
5	17-44014-00	Gasket, Flange Spacer <b>(05G)</b>	2
6	17-44124-00	Gasket, Cylinder Head - Side Bank <b>(No Unloader)</b>	2
7	17-55002-00	Gasket, Valve Plate <b>(05D)</b>	3
8	17-44123-00	Gasket, Cylinder Head - Center	1
9	17-44126-00	Gasket, Cylinder Head - Side Bank <b>(Hot Gas Bypass Unloader)</b>	2
9A	17-44125-00	Gasket, Cylinder Head - Side Bank <b>(Suction Cutoff Unloader)</b>	2
10	17-40316-00	Gasket, Oil Supply Tube (O-Ring) <b>(05D)</b>	1
11	17-10218-02	Gasket, Sight Glass	2
12	17-40104-07	Gasket, Unloader Body	2
13	17-40075-05	Gasket, Oil Pump Cover	1
14	17-10811-05	Gasket, Service Valve (2 Bolt)	2
15	17-40033-05	Gasket, Bottom Plate	1
16	17-40078-05	Gasket, Pump End Bearing Head	1
17	17-40319-05	Gasket, Shaft Seal <b>(05D)</b>	1
18	17-40029-05	Gasket, Motor End Cover	1

# 05G

ITEM	PART NO.	DESCRIPTION	QTY
------	----------	-------------	-----

## 12. GASKET SET - METAL



-	17-55026-00	Gasket Set (METAL) - Includes:	1
1	17-44141-00	Gasket, Suction Service Valve (4 Bolt)	1
2	17-44004-06	Gasket, Shaft Seal <b>(05G with standard cover plate-Steel)</b>	1
3	17-44007-06	Gasket, Valve Plate	3
4	17-44119-00	Gasket, End Flange	1
4A	17-44118-00	Gasket, End Flange	1
5	17-44123-00	Gasket, Cylinder Head - Center	1
6	17-44126-00	Gasket, Cylinder Head - Side Bank <b>(Hot Gas Bypass Unloader)</b>	2
7	17-44021-00	Gasket, Sight Glass	2
8	17-40104-07	Gasket, Unloader Body	2
9	17-44138-00	Gasket, Service Valve (2 Bolt)	2
10	17-44129-00	Gasket, Bottom Plate	1
11	17-44022-00	Gasket, Pump End Bearing Head	1