

# Bill of Materials Listing

TransArctic Canada Inc.

8/3/2010  
Page 1 of 1

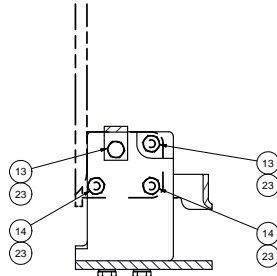
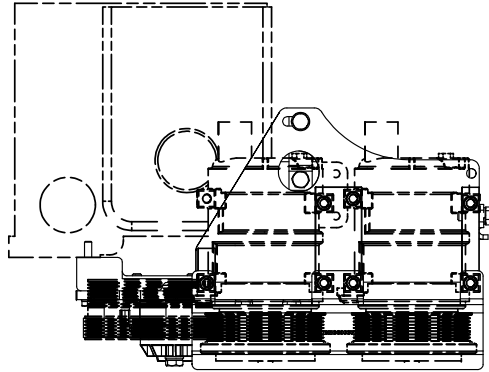
Product Number	Description	Date	Weight	Uof M	Yield
Line    Component    Prod#	Description	Bin            Unit	Qty		
<b>KMC62673</b>	<b>Mt Kit, ISB, 6.7L, BBCV, 2 TM-21, '07</b>	<b>5/5/2010</b>	<b>46.57</b>		<b>0</b>
10	BEL61956				
	Belt, 6gr, 1956mm (77") (5060770)			each	1
20	BMC60037				
	Bkt, Shroud, Cover, 12 Ga. (.1046")			each	1
30	BMC67003				
	Bkt, Brace, Diag, D/S, Sup,6.7,LISB,Conv			each	1
40	BMC67045				
	Bkt, Main, Weldmt, 6.7L, ISB, Conv, '10			each	1
50	BMC67048				
	Bkt, Spacer, Weldm't, 6.7L, ISB, '10			each	1
60	BMC67049				
	Bkt, Brace, Diag, RR, Sup,6.7L, ISB,'10			each	1
70	PUL80076				
	Pulley, Idler, Backside, P8, 76d (89062)			each	1
80	TEN80002				
	Tenr, HD Spring, BackSide, CCW (89200A)			each	1
90	KBC62672				
	Bag Kit, Fasteners, KMC62672/KMC62072			each	1

# Bill of Materials Listing

TransArctic Canada Inc.

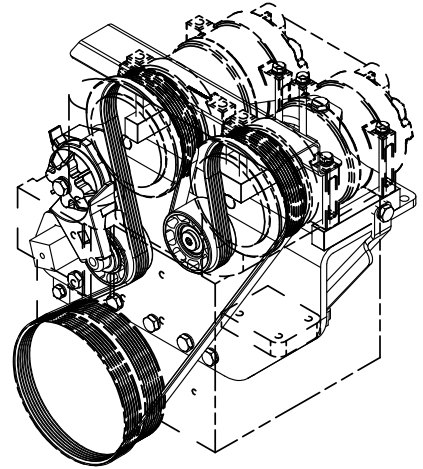
8/3/2010  
Page 1 of 1

Product Number	Description	Date	Weight	Uof M	Yield
Line    Component    Prod#	Description	Bin                    Unit	Qty		
<b>KBC62672</b>	<b>Bag Kit, Fasteners, KMC62672/2072,&amp; 73</b>		<b>5/6/2010</b>	<b>1.93</b>	<b>0</b>
10	BTC08035	Bolt, Hex, 8 x 1.25 x 35mm, 10.9, Plt,FT	each	1	
20	BTC08065	Bolt, Hex, 8 x 1.25 x 65mm, 10.9, Plt	each	1	
30	BTC08100	Bolt, Hex, 8 x 1.25 x 100mm, 10.9, Plt	each	7	
40	BTC10025	Bolt, Hex, 10 x 1.5 x 25mm, 10.9, Plt	each	1	
50	BTC10030	Bolt, Hex, 10 x 1.5 x 30mm, 10.9, Plt	each	6	
60	BTC10035	Bolt, Hex, 10 x 1.5 x 35mm, 10.9, Plt,FT	each	1	
70	BTC10040	Bolt, Hex, 10 x 1.5 x 40mm, 10.9, Plt,FT	each	2	
80	BTC10060	Bolt, Hex, 10 x 1.5 x 60mm, 10.9, Plt	each	2	
90	BTC10080	Bolt, Hex, 10 x 1.5 x 80mm, 10.9, Plt,FT	each	1	
100	BTS10001	Bolt, Shoulder, 10mm (89064)	each	1	
110	NTA10000	Nut, Hex, 10 x 1.5, 8.8, Plt	each	1	
120	WFA08000	Washer, Flat, 8mm, 8.8, Plt	each	7	
130	WFA10000	Washer, Flat, 10mm, 8.8, Plt	each	3	
140	WLA08000	Washer, Lock, 8mm, 8.8, Plt	each	9	
150	WLA10000	Washer, Lock, 10mm, 8.8, Plt	each	13	



SECTION A-A

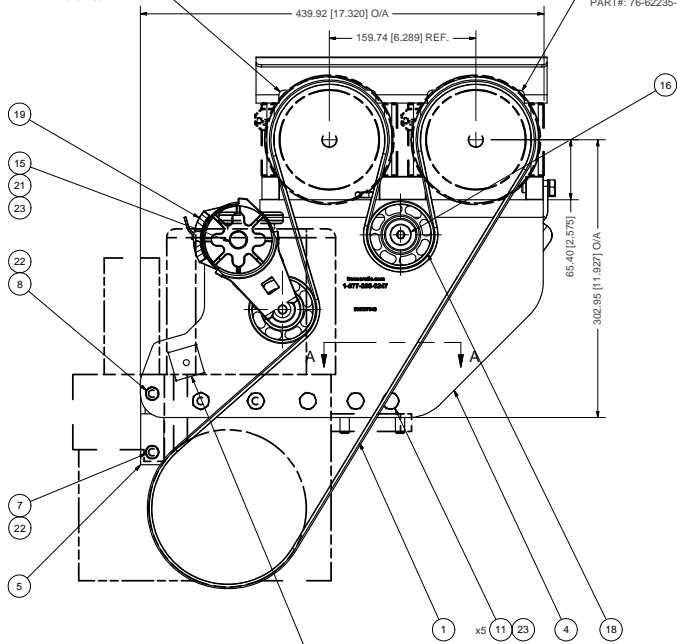
NOTE:  
INSTALL THE 6 GR. BELT ON THE  
MIDDLE 6 GROOVES OF THE 8 GR.  
COMPRESSOR PULLEY.



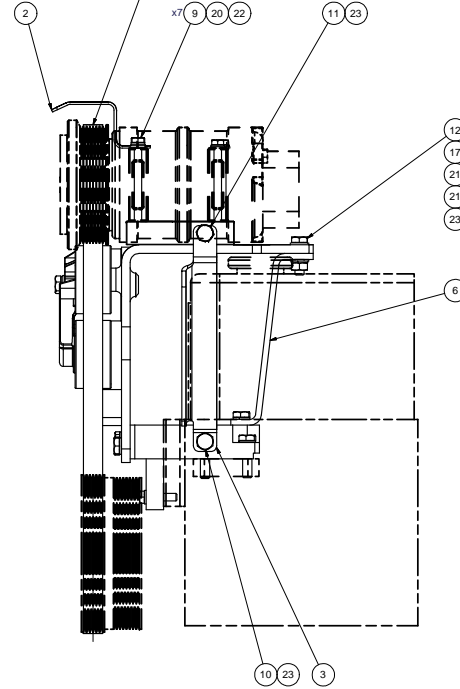
ISOMETRIC VIEW

NOTE:  
CARRIER COMPRESSOR  
PART#: 76-62235-xx

NOTE:  
CARRIER COMPRESSOR  
PART#: 76-62235-xx



NOTE:  
-REDUNDANT BOSS FOR THE 2007 EMISSIONS. (NOT USED.)



NOTES:  
1) USE SERVICABLE THREADLOCKER ON ALL FASTENERS TO ENGINE COMPONENTS AND TORQUE ALL BOLTS TO S.A.E. SPECIFICATIONS.  
2) SEE "TRANSARGTIC A/C COMPRESSOR MOUNT INSTALLATION DISCLAIMER".

ITEM	QTY	U/M	PART NUMBER	DESCRIPTION
23	13	EACH	WLA10000	WASHER, LOCK, 10mm, 8.8, PLT
22	9	EACH	WLA08000	WASHER, LOCK, 8mm, 8.8, PLT
21	3	EACH	WFA10000	WASHER, FLAT, 10mm, 8.8, PLT
20	7	EACH	WFA08000	WASHER, FLAT, 8mm, 8.8, PLT
19	1	EACH	TEN80002	TENR, HD SPRING, BACKSIDE, CCW
18	1	EACH	PUL80076	PULLEY, IDLER, BACKSIDE, P8, 76D, 39W
17	1	EACH	NTA10000	NUT, HEX, 10 x 1.5, 8.8, PLT
16	1	EACH	BTS10001	BOLT, SHOULDER, 10mm (IDLER PULLEY)
15	1	EACH	BTC10080	BOLT, HEX, 10 x 1.5 x 80mm, 10.9, PLT, FT
14	2	EACH	BTC10060	BOLT, HEX, 10 x 1.5 x 60mm, 10.9, PLT
13	2	EACH	BTC10040	BOLT, HEX, 10 x 1.5 x 40mm, 10.9, PLT
12	1	EACH	BTC10035	BOLT, HEX, 10 x 1.5 x 35mm, 10.9, PLT
11	6	EACH	BTC10030	BOLT, HEX, 10 x 1.5 x 30mm, 10.9, PLT
10	1	EACH	BTC10025	BOLT, HEX, 10 x 1.5 x 25mm, 10.9, PLT
9	7	EACH	BTC08100	BOLT, HEX, 8 x 1.25 x 100mm, 10.9, PLT
8	1	EACH	BTC08065	BOLT, HEX, 8 x 1.25 x 65mm, 10.9, PLT
7	1	EACH	BTC08035	BOLT, HEX, 8 x 1.25 x 35mm, 10.9, PLT
6	1	EACH	BMC67049	BKT, BRACE, DIAG, RR, SUP, 6.7L, ISB, '10
5	1	EACH	BMC67048	BKT, SPACER, WELDMT, 6.7L, ISB, '10
4	1	EACH	BMC67045	BKT, MAIN, WELDMT, 6.7L, ISB, CONV, '10
3	1	EACH	BMC67003	BKT, BRACE, DIAG, D/S, SUP, 6.7L, ISB, CON
2	1	EACH	BMC60037	BKT, SHROUD, COVER, 12 GA, (1044)
1	1	EACH	BEL1956	BELT, 6gr, 1956mm (77") (5040770)

BILL OF MATERIALS  
**TRANSARGTIC INC.**

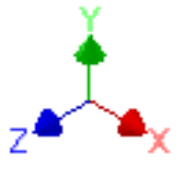
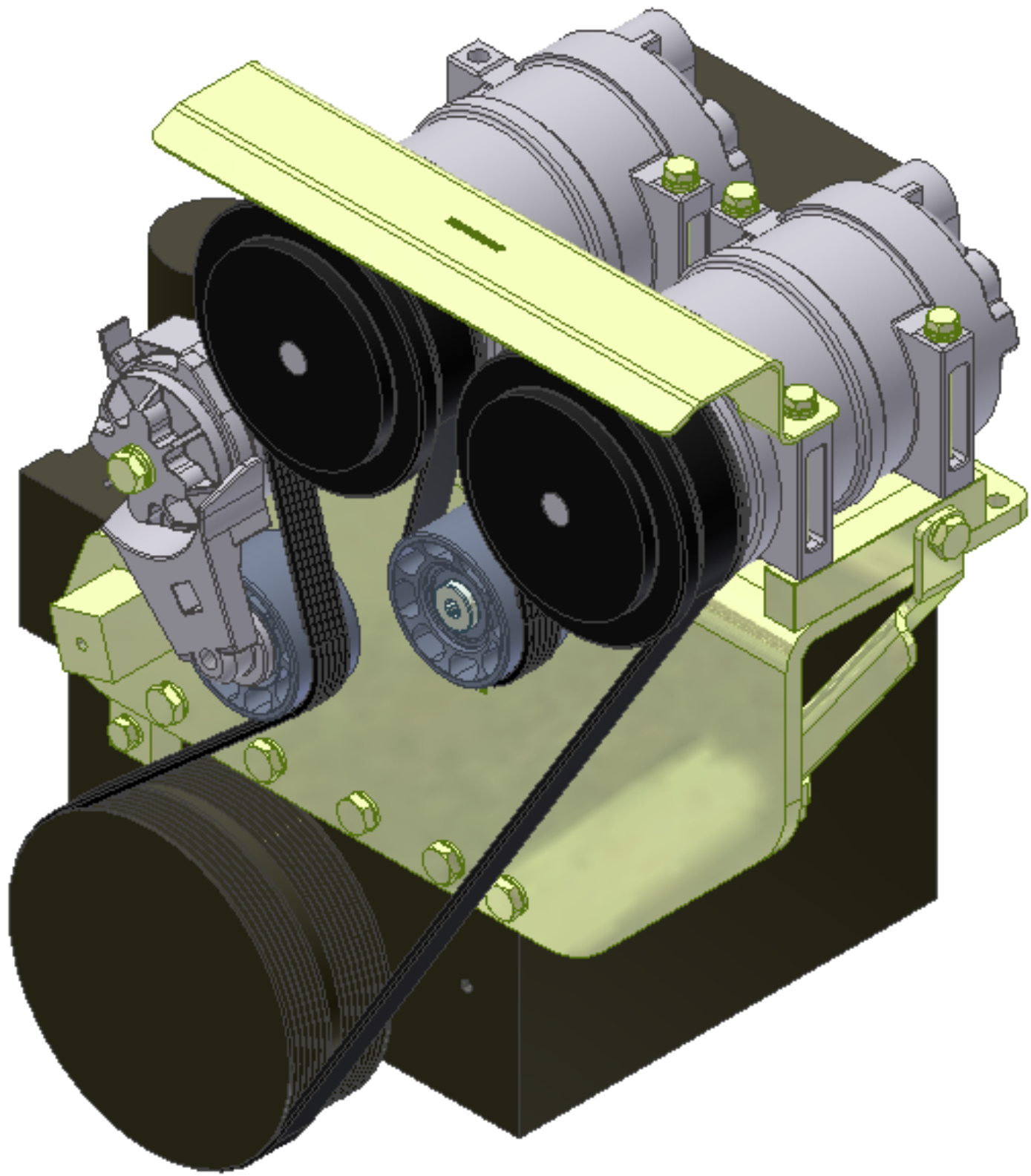
DATE	RELEASED TO PRODUCTION	8/27/2010	VAL	GA
REVIEW	DESCRIPTION	DATE	BY	
		3/12/2007	Ron Ingram	
		3/12/2007	James Stewart	
		3/12/2007	Val Jakovlew	
		3/12/2007	Dale Mason	

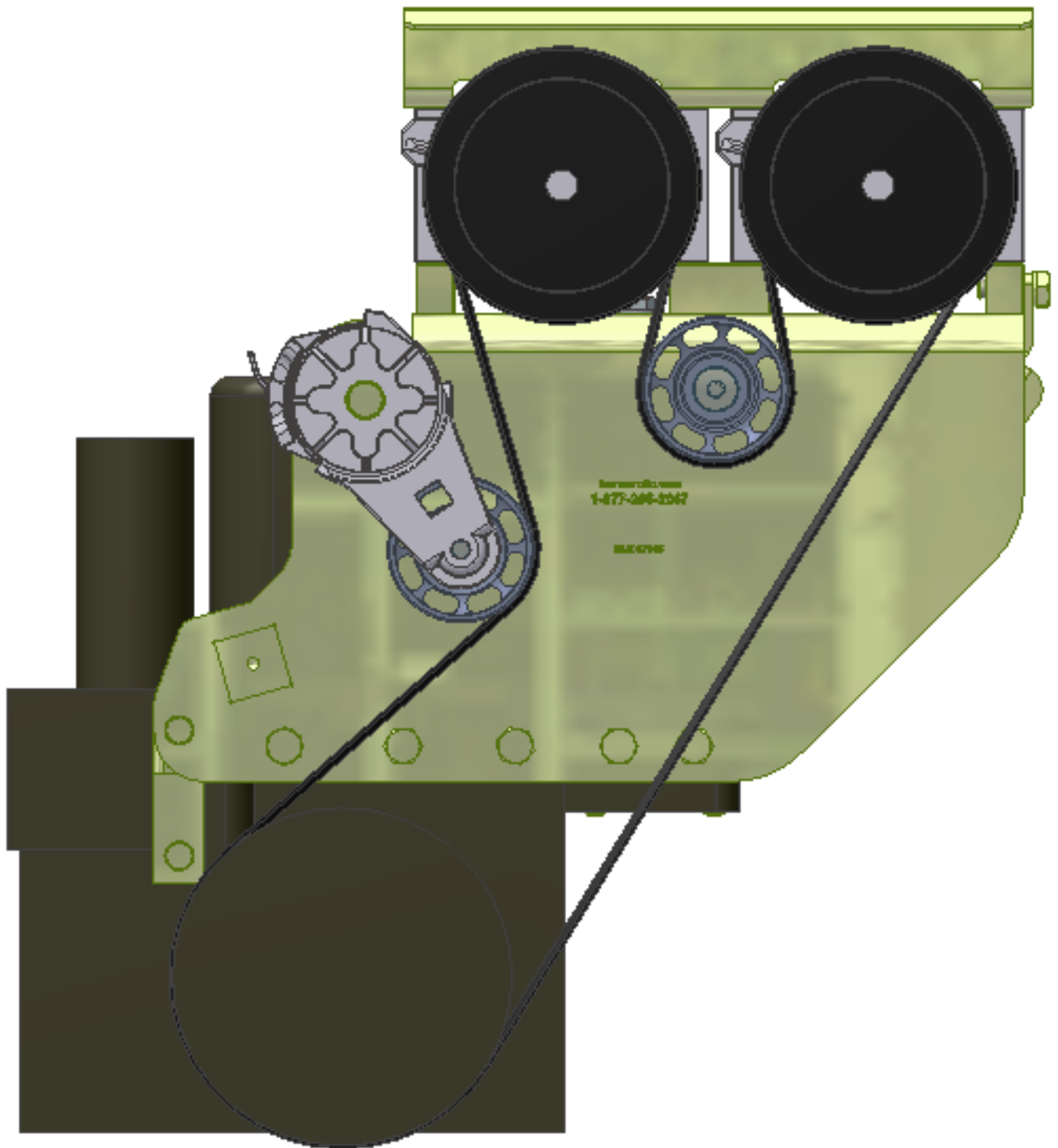
DRAWN	vjakovlew	8/16/2010		
CHECKED	Ron Ingram	3/12/2007		
TITLE	<b>TRANSARGTIC INC.</b>			
TITLE	MT KIT, ISB, 6.7L, BBCV, 2 TM-21, '07			
SIZE	D	DWG NO	KMC62673	REV 0
SCALE	3:8	SHEET	1	OF 1

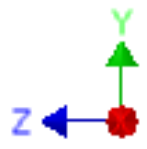
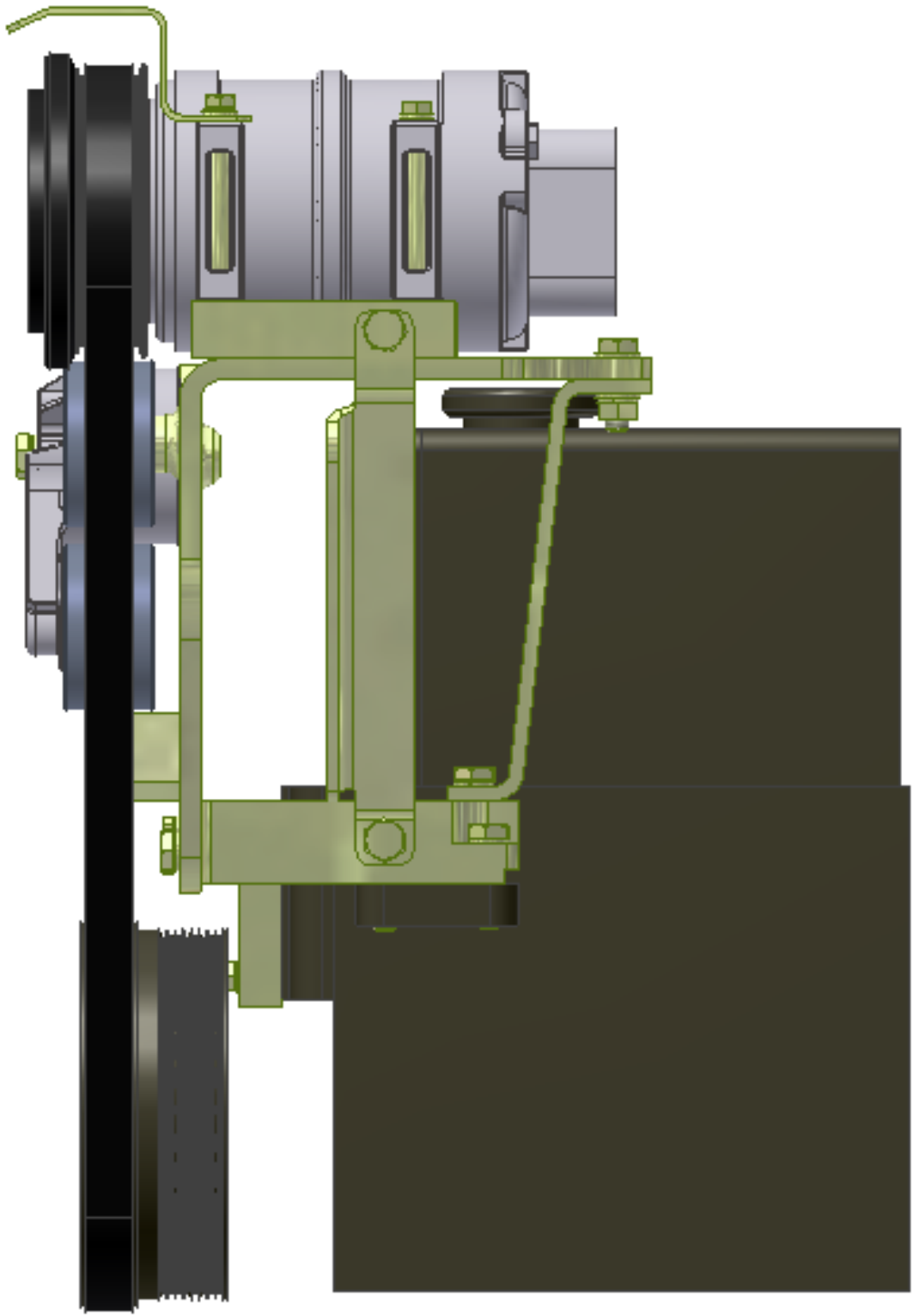
UNSPECIFIED TOLERANCES:  
ONE DECIMAL PLACE (X.0) .05 (30%)  
TWO DECIMAL PLACE (X.00) .01 (5%)  
THREE DECIMAL PLACE (X.000) .005 (5%)  
FRACTIONAL (1/16) .005 (5%)  
ANGULAR ± .50°

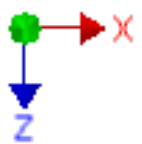
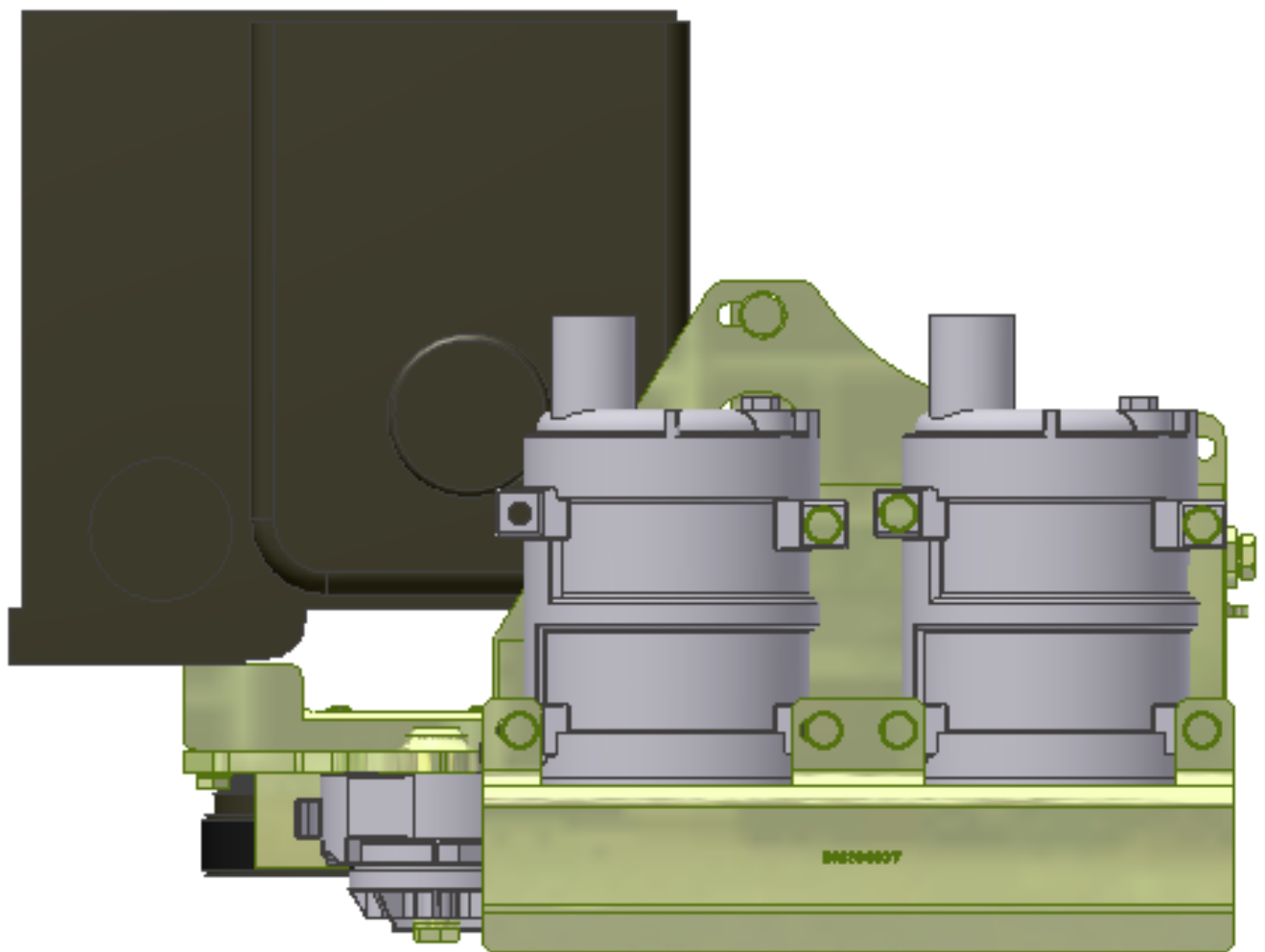


DRAWING UNIT OF MEASURE: MM (INCH)









## **TransArctic A/C Compressor Mount Installation Disclaimer**

All compressor mounts should be installed by qualified and trained personnel using proper tools and equipment in safe working conditions following industry standard guidelines for motor vehicle service and repair.

The installer of any compressor mount purchased from TransArctic must undertake all responsibility of issues arising from that compressor bracket being installed on any vehicle. As well as insure that a **proper and sufficient ground** is established between the compressors' clutches and the vehicle's engine. Mount functionality, operation and durability can all be compromised by an incompetent installation.

Due to the many different situations, parameters and application criteria, which are beyond the compressor mount manufacturer's control, TransArctic does not warrant design, durability, or operational functionality of any compressor mount improperly installed by another party.

**With no implied guarantees it is the mount installer's strict responsibility to determine safety and functionality, of the compressor mount, at the time of installation.**

Please contact TransArctic with any issue arising from installation so we may better improve the product. If you have any reservations about the compressor mount integrity contact TransArctic immediately at 1-877-COLD-AIR.

**Mark OEM tensioner location**

**Install Kit**

**Check for Interferences**

**Check to ensure that the proper OEM tensioner orientation is maintained**

**Run engine with A/C system engaged for at least 10 minutes to run in belt**

**Check OEM tensioner orientation and adjust as required**

### **Responsabilidad limitada de TransArctic en la instalación del soporte del compresor**

Todos los soportes de los compresores deben ser instalados por personas calificadas y entrenadas, usando para ello los equipos y herramientas necesarios para esta labor en buenas condiciones y según las normas y guías para el servicio y/o reparación de motores de vehículos.

El instalador de los soportes comprados en TransArctic asume toda la responsabilidad de cualquier problema que surga en el soporte del compresor al vehículo; de igual manera es responsable que el cable a tierra sea conectado entre el embrague del compresor y el motor del vehículo.

Se advierte que el buen funcionamiento y la durabilidad del soporte pueden ser comprometidos por defectos en su instalación.

Debido a las diversas situaciones que se puedan presentar fuera del control del fabricante, TransArctic no garantiza el diseño, la durabilidad o el correcto funcionamiento de cualquier equipo inapropiadamente instalado por terceros.

**Esta sobreentendido que el Instalador del montaje del compresor es estrictamente responsable de la seguridad y funcionamiento del equipo en el momento de la instalación.**

Si tuviera algún problema o duda acerca de la instalación del soporte del compresor pongase en contacto inmediatamente con TransArctic al teléfono 1-877-COLD-AIR de modo que podamos mejorar nuestro producto.

**Note la ubicación del medidor de tensión OEM**

**Instale el equipo**

**Controlar si hay interferencias.**

**Asegurese que el medidor de tensión mantenga la orientación justa.**

**Encienda el motor por lo menos 10 minutos con el sistema A/C enganchado para que la correa corra**

**Controle la orientación justa del medidor de tensión y ajuste a las condiciones requeridas del fabricante**