

# Simply the Best

**EATON**

*Powering Business Worldwide*



# Table of Contents

<b>How to Use This Catalog</b> .....	4
<b>E-Z Clip System™</b>	
Tool Kit.....	5
GH134 Multi-Refridgerant Hose .....	6
O-Rings.....	7
End Connections .....	8
Fittings (see chart below and on next page for specific part numbers) .....	9
Cages and Clips.....	34
Aluminum Lifesaver .....	35
E-Z Clip, Size 4 .....	36
Assembly Tools .....	38
Components: Ordering and Identifying.....	39
Assembly Instructions.....	40
Fitting Kits.....	42
<b>Reusable Fitting Program</b>	
Hose Selection Guide and Design Guidelines.....	44
FC802/FC558 with 100R5 .....	45
Fittings.....	46
<b>Factory Crimp Program</b>	
GH134 .....	51
Fittings.....	52
Adapters .....	65
<b>Accessories</b> .....	66

## E-Z Clip System™ Fittings and other Components

<b>Part #</b>	<b>Description</b>	<b>Page</b>	<b>Part #</b>	<b>Description</b>	<b>Page</b>
1F20340	90° to STC.....	32	EJ3422	45° Female Rotalok.....	24
1F40104	Clip Hose/Cage Connections .....	34	EJ3533	90° Female JIC 37° Flare .....	20
1F40105	Cages.....	34	EJ3534	45° Female JIC 37° Flare .....	18
22546	Neoprene O-ring .....	7	EJ3543	45° Female O-ring w/R134a Port .....	13
EJ3111	Female O-ring .....	9	EJ3809	Compression Fitting.....	32
EJ3158	Tee-Style Fitting w/Male O-ring Connection.....	23	FF12262	Lifesaver Braze on Hose Nipple .....	34
EJ3297	90° Female O-ring and Switch Port .....	15	FF13727	Lifesaver - Aluminum.....	35
EJ3298	90° Female O-ring, R134a and Switch Port .....	14	FF90178	HNBR O-ring .....	7
EJ3299	Straight Female O-ring with Switch Port.....	11	FJ3012	90° Female O-ring w/R134a Port .....	13
EJ3302	90° Female O-ring w/R134a Port .....	13	FJ3013	90° Female O-ring w/R134a Port .....	13
EJ3321	Short Drop, 90° Female Rotalok .....	24	FJ3019	90° Male O-ring.....	16
EJ3410	45° Female O-ring w/R134a Port .....	13	FJ3026	Male MIO, Straight .....	17
EJ3421	45° Female Rotalok .....	24	FJ3045	Straight Splicer/Mender .....	26

# Table of Contents

## E-Z Clip System™ Fittings and other Components

(continued from previous page)

Part #	Description	Page	Part #	Description	Page
FJ3047	90° Female O-ring w/Switch Port .....	14	FJ3510	90° Female Rotalok w/R134a Port.....	25
FJ3052	Male O-ring, Straight.....	15	FJ3511	90° Female Rotalok w/R134a Port.....	25
FJ3053	Straight Female O-ring, w/R134a Port.....	10	FJ3513	Straight Bulkhead.....	26
FJ3054	Straight Female O-ring, w/R134a Port.....	10	FJ3514	90° Male Bulkhead .....	26
FJ3055	45° Elbow, Female O-ring, Short Pilot .....	9	FJ3568	90° GM Block.....	26
FJ3056	Straight Male MIO .....	18	FJ3611	90° Male MIO w/R134a Port.....	17
FJ3057	SAE 45° Female Flare .....	18	FJ3623	180° Female O-ring Pilot.....	29
FJ3058	90° Splicer/Mender .....	27	FJ3624	180° Splicer/Mender .....	29
FJ3059	SAE 45° Female 45° Elbow .....	19	FJ3632	Straight Female O-Ring, Long .....	9
FJ3066	"T" Splicer - 3-Hose Connector.....	28	FJ3731	Straight Female 37° Flare .....	18
FJ3067	GM Tie In Metric Tee .....	23	FJ3734	Female O-ring, Compound Tube .....	30
FJ3111	90° Female O-ring, Metric Thread.....	21	FJ3801	Female O-ring, Compound Tube .....	30
FJ3112	90° Female O-ring, w/R134a, Metric Thread .....	22	FJ3804	180° Male O-ring .....	29
FJ3113	90° Male O-ring, Metric Thread .....	23	FJ3890	Str. Female O-ring, R134a Port, Metric Thd. ....	22
FJ3116	45° Male O-ring, Short Pilot .....	16	FJ3891	Str. Female O-ring, R134a Port, Metric Thd. ....	22
FJ3131	Straight Male O-ring, w/R134a Port.....	16	FJ3892	90° Female O-ring, R134a Port, Metric Thd. ....	22
FJ3132	Straight Male O-ring, w/R134a Port .....	17	FJ3914	90° 5400 Coupling Thread.....	29
FJ3133	90° Female SAE 45° Flare w/R134a Port .....	19	FJ3970	Straight 5400 Coupling Thread .....	30
FJ3134	90° Male O-ring, w/R134a Port.....	17	FJ3977	Pad-Style Connection.....	30
FJ3135	90° Male O-ring, w/R134a Port.....	17	FJ3978	Straight Pad-Style Connection w/R134a.....	31
FJ3136	Straight Male O-ring, Metric Thread.....	21	FJ3979	60° Elbow Pad-Style Connection w/R134a .....	32
FJ3149	90° Female SAE 45° Universal Flare .....	19	FJ3980	180° Pad-Style Connection.....	31
FJ3161	45° ORS Female Swivel .....	20	FJ3981	90° Elbow Pad-Style Connection w/R134a .....	32
FJ3162	Straight Female O-ring, w/Switch Port .....	11	FJ3982	90° Pad-Style Connection.....	31
FJ3163	90° Female O-ring, w/Switch Port .....	14	FJ3983	90° Pad-Style Connection.....	31
FJ3171	Splicer with Switch Port .....	27	FJ5984	Straight Female O-ring .....	9
FJ3192	45° Female O-ring, Metric Thread.....	21	FJ5985	90° Female O-ring, 90°.....	10
FJ3225	90° Female Rotalok.....	24	FJ5986	Splicer w/R134a Port .....	28
FJ3226	90° Female Rotalok w/Switch Port .....	25	FJ5994	90° ORS Female Swivel.....	20
FJ3230	45° Female O-ring w/Switch Port .....	12	FJ5995	Splicer w/R134a Port .....	27
FJ3274	Straight Female Rotalok.....	23	GA23854	45° Female O-ring .....	33
FJ3288	90° Female O-ring, Long Pilot.....	10	GA23911	Straight ORS Female Swivel .....	20
FJ3289	90° Female O-ring w/Switch Port .....	14	GA23912	45° ORS Female Swivel .....	20
FJ3301	Female O-ring, R134a Port, Metric Thread.....	22	GA23913	90° ORS Female Swivel .....	20
FJ3319	90° ORS, Female Swivel .....	21	GA24335	Straight Bock Compressor Fitting.....	33
FJ3363	Straight Female O-ring, w/R134a Port & Switch .....	12	GA24336	45° Bock Compressor Fitting .....	33
FJ3365	45° Female O-ring w/R134a & Switch Port .....	12	GA24337	90° Bock Compressor Fitting .....	33
FJ3366	90° Female w/R134a Port & Switch Port.....	19	GH134	Multi-Refrigerant Hose .....	35
FJ3408	Female O-ring, Metric Thread (Long Pilot) .....	9			
FJ3409	90° Female O-ring, Metric Thread.....	21			
FJ3416	Straight Female O-ring w/Switch Port.....	11			
FJ3427	Splicer w/Switch Port .....	28			
FJ3428	Splicer w/Switch Port .....	28			
FJ3444	90° Female O-ring w/Switch Port .....	15			
FJ3460	90° Female O-ring w/Switch Port .....	15			
FJ3461	Straight Female O-ring w/Switch Port.....	11			
FJ3495	GM Tie-In .....	23			
FJ3496	90° Pilot Connection .....	27			

# How to Use This Catalog

Accurate processing and prompt delivery of your order depend on easy identification of your requirements. Please order Aeroquip® parts using correct part numbers as described in this catalog. Inquiries and orders should be directed to your Aeroquip Distributor or:

Eaton  
14615 Lone Oak Road  
Eden Prairie, MN 55344  
USA  
Tel: 952 937-9800  
Fax: 952 974-7722  
[www.hydraulics.eaton.com](http://www.hydraulics.eaton.com)

## Part Numbers and Dash Sizes

The first two numbers of the dash size of each part number, (example: -0608) indicates the size of the terminal, or connecting end. The second two numbers of the dash sizes (example: -0608) indicates the hose size. In the example -0608, 08 is the hose size.

## Dimensions

Dimensions given in this catalog for Aeroquip products are approximate and should be used for reference only. Exact dimensional information for a given product is subject to change and varying tolerances; contact Eaton directly for full current information.

## Cut Length Hose

Cut lengths of hose should be ordered as shown below by specifying lengths in inches.

For alpha-numeric part numbers: GH134-8-00484  
 Hose type \_\_\_\_\_  
 Hose dash size (in 16ths of an inch) \_\_\_\_\_  
 Cut length (in inches) \_\_\_\_\_  
 Last digit is in 8ths of an inch. Example: 00484 = 48½ inches

## Bulk Hose

Bulk hose should be ordered by specifying length in feet as shown below.

Complete number: 500 ft.-GH134-8  
 Quantity (in feet) \_\_\_\_\_  
 Hose type \_\_\_\_\_  
 Hose size (refer to hose spec sheet) \_\_\_\_\_

## Reeled Hose

GH134 hose is available on reels. Maximum number of lengths per reel is three (3). The approximate lengths per reel are shown below:

Part Number	Avg # Ft/Reel	Max # Pieces/Reel	?? Length Reel
GH134-6RL	560	3	40
GH134-8RL	575	3	40
GH134-10RL	560	3	40
GH134-12RL	367	3	45
GH134-16RL	250	3	40

## General Information

Flexible hose lines offer many advantages over rigid tubing including routing ease, vibration absorption, sound deadening and the ability to accommodate movement of connected components. However, hose lines require caution in use – not only to provide long service – but also to guard against potentially dangerous failure.

### Important

Special care should be taken when selecting the proper refrigerant hose and fittings. The information contained in this bulletin is provided as a general guide to assist in making the appropriate product selection. This guide does not address every parameter that must be considered when selecting a product. The user must make the final product selection in consideration of the user's unique requirements.

Additionally, special care must be taken when working with refrigerant systems. Sudden escape of refrigerant gases may result in blindness or severe injury. Eaton recommends adherence to the guidelines and general practices as defined in SAE J2211 for the service and

containment of HFC-134a, as well as all applicable EPA guidelines and procedures concerning the service of refrigerant systems.



### Warning

Aeroquip fitting tolerances are engineered to match Aeroquip hose tolerances. The use of Aeroquip fittings on hose supplied by other manufacturers and/or the use of Aeroquip hose with fittings supplied by other manufacturers may result in the production of unreliable and unsafe hose assemblies and is not authorized by Eaton.

EATON SHALL NOT BE SUBJECT TO AND DISCLAIMS ANY OBLIGATIONS OR LIABILITIES (INCLUDING

BUT NOT LIMITED TO ALL CONSEQUENTIAL, INCIDENTAL AND CONTINGENT DAMAGES) ARISING OUT OF BREACH OF CONTRACT OR OF WARRANTY OR ARISING FROM TORT CLAIMS (INCLUDING WITHOUT LIMITATION NEGLIGENCE AND STRICT LIABILITY) OR OTHER THEORIES OF LAW WITH RESPECT TO ANY HOSE ASSEMBLIES NOT PRODUCED FROM GENUINE AEROQUIP HOSE FITTINGS, HOSE AND AEROQUIP APPROVED EQUIPMENT, AND IN CONFORMANCE WITH AEROQUIP PROCESS AND PRODUCT INSTRUCTIONS FOR EACH SPECIFIC HOSE ASSEMBLY.

# E-Z Clip System™ - Tool Case

## Part # FF12139

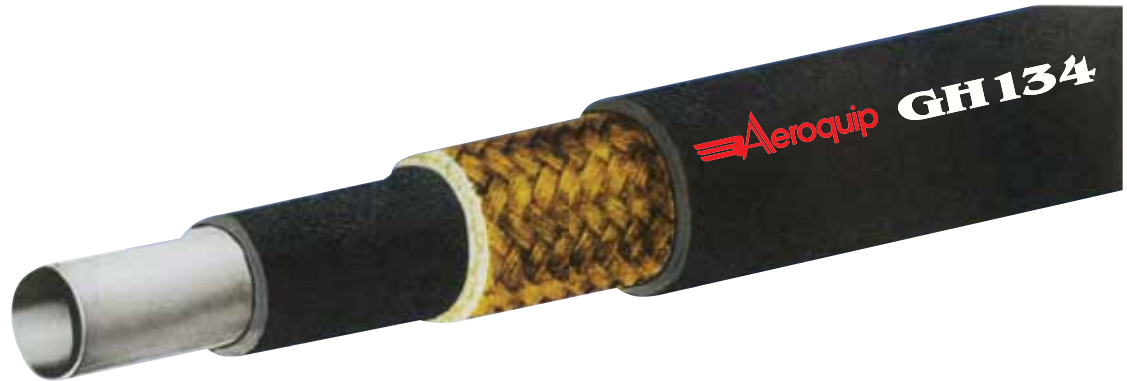
**NOTE:** The E-Z Clip System has been designed to work exclusively with Aeroquip GH134 Hose.



Kit Contents Components	Part Number	Description	Qty/Per Kit
	1F40104-size	Clips	20
	1F40105-size	Cages	10
	FT1357	Assy. Tool	1
	FT1356	Hose Cutter	1
	FT1356-2-1	Replacement Blade	1

# E-Z Clip System™ - GH134 Multi-Refrigerant Hose

SAE J2064 Type E Class 1



Part Number	Hose I.D.	Hose O.D.	Maximum Operating Pressure	E-Z Clip Minimum Burst Pressure	Minimum Bend Radius	Weight Per Foot
	mm/inches	mm/inches	bar/psi	bar/psi	mm/inches	pounds
GH134-6	7.9/.31	14.7/.58	35/500	140/2000	50/2.00	.09
GH134-8	10.3/.41	17.8/.70	35/500	140/2000	63/2.50	.12
GH134-10	12.7/.50	19.8/.78	35/500	140/2000	76.2/3.00	.15
GH134-12	15.9/.63	24.9/.98	35/500	140/2000	101.6/4.00	.18
GH134-16	22.4/.88	31.2/1.23	35/500	140/2000	127/7.00	.22

**Application:** Transportation, refrigeration and air conditioning systems.

**Operating Temperature Range:** -40°F to +275°F (-40°C to +135°C)

**R404a Effusion:** .2 lbs./ft<sup>2</sup>/yr. at 140°F (.8 kg./m<sup>2</sup>/yr. at 60°C)

**HFC 134a Effusion:** .50 lbs./ft<sup>2</sup>/yr. at 176°F (2.42 kg./m<sup>2</sup>/yr. at 80°C)

**Moisture Ingression:** .08 gm./in<sup>2</sup>/yr. (.013/cm<sup>2</sup>/yr)

## Features

- Internal polyamide veneer tube
- Synthetic-rubber backing layer
- Stabilized, synthetic braided reinforcement
- Chlorobutyl rubber cover
- E-Z Clip fittings

## Benefits

- Excellent effusion resistance
- Maximum resistance to moisture ingress
- Extended service performance
- Superior flexibility
- Assured coupling integrity, exceeds SAE J2064 performance

## Warning

E-Z Clip has been designed and engineered to work EXCLUSIVELY with Aeroquip GH134 hose. Size -04 has been designed to work with FC505 hose.

For information regarding other refrigerants and lubricants, please contact Eaton customer service at 952-937-9800.

## Refrigerant Compatibility Chart of Refrigerant Hoses

Refrigerant	Hose Style FC802	FC505	GH134	FC558
R-12	Y	Y	Y	N
R-22	Y	Y	Y	N
R-134a	Y	Y	Y	Y
R-502	Y	Y	Y	N
MP39	Y	Y	Y	N
MP66	Y	Y	Y	N
R404a	Y	Y	Y	N

## Lubricant Compatibility Chart

Lubricant	Hose Style FC802	FC505	GH134	FC558
Mineral Oil	Y	Y	Y	N
PAG	Y	Y	Y	Y
Ester Oil	Y	Y	Y	Y
Alkylbenzene	Y	Y	*	N

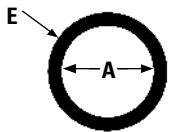
Y = Compatible N = Non-compatible

\* Contact product support for application review

## Tubing Identification

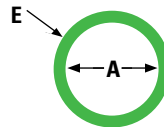
Size	Tubing Style	Wall Thickness
-6	SAE J526	0.035
-0608	SAE J526	0.035
-8	SAE J526	0.035
-0810	SAE J526	0.035
-10	SAE J525	0.049
-1012	SAE J525	0.049
-12	SAE J525	0.049
-16	SAE J525	0.0625

## O-Rings for Bump Tube O-Ring Seal and O-Ring Pilot Fittings



**22546**  
 Material: Chloroprene (Neoprene)  
 Durometer: 70  
 Temperature Range: -65°F to +300°F  
 Color: Black

O-ring Part Number	O-ring Pilot Dash Size	A	E
22546-11	-06	.301	.07
22546-13	-08	.426	.07
22546-15	-10	.551	.07
22546-17	-12	.676	.07



**FF90178**  
 Material: HNBR  
 Durometer: 70  
 Temperature Range: -25°F to +300°F  
 Color - Green

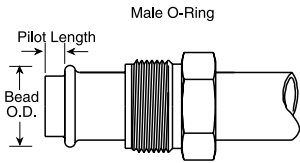
O-ring Part Number	O-ring Pilot Dash Size	A	E
FF90178-11	-06	.301	.0625
FF90178-13	-08	.426	.0625
FF90178-15	-10	.551	.0625
FF90178-17	-12	.676	.0625

# E-Z Clip System™ - End Connections

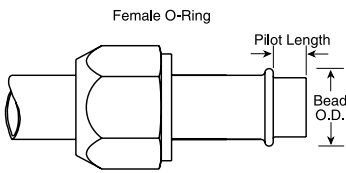
## How to Identify O-ring Pilot Thread Sizes

This connection is common to air conditioning systems, both in vehicle and commercial applications. Both the male and female halves of the connections have a pilot,

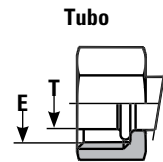
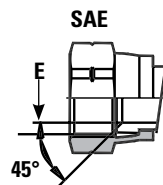
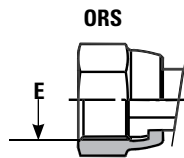
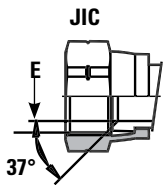
either long or short. The seal takes place by compressing an O-ring adjacent to the bead of the tube. The threads hold the connection together mechanically.



Inch Size	Dash Size	Male Thread O.D. (Inch)			Female Thread I.D. (Inch)		
		Nominal Thread	Fraction	Decimal	Nominal Thread	Fraction	Decimal
3/8	06	5/8 - 18	5/8	.62	5/8 - 18	9/16	.57
1/2	08	3/4 - 18	3/4	.75	3/4 - 16	11/16	.69
5/8	10	7/8 - 18	7/8	.87	7/8 - 14	13/16	.81
3/4	12	1-1/16 - 16	1-1/16	1.06	11/16 - 14	1	.99



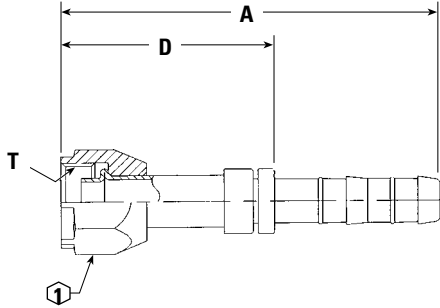
Inch Size	Nominal Tube Size	Long Pilot		Short Pilot	
		Bead O.D. (Inch)	Pilot Length	Bead O.D. (Inch)	Pilot Length
3/8	06	.52	.28	.52	.19
1/2	08	.64	.39	.64	.19
5/8	10	.77	.39	.77	.19
3/4	12	.91	.39	.91	.19



Size	JIC Thread	ORS Thread	ØE	SAE Thread	ØE	Tubo Thread	ØE	ØT
-4	7/16-20	9/16-18	12,9	7/16-20	—	—	—	—
-6	9/16-18	11/16-16	15,9	5/8-18	14,5	5/8-18	14,5	8,4
-8	3/4-18	13/16-16	19,1	3/4-16	17,5	3/4-16	17,5	11,6
-10	7/8-14	1-14	23,6	7/8-14	20,5	7/8-14	20,5	14,4
-12	1-1/16-12	1-3/16-12	28,1	1-1/16-14	25,2	1-1/16-14	25,2	17,5
-16	1-5/16-12	1-7/16-12	34,5	—	—	—	—	—
-20	—	1-11/16-12	40,7	—	—	—	—	—
-24	—	—	—	—	—	—	—	—



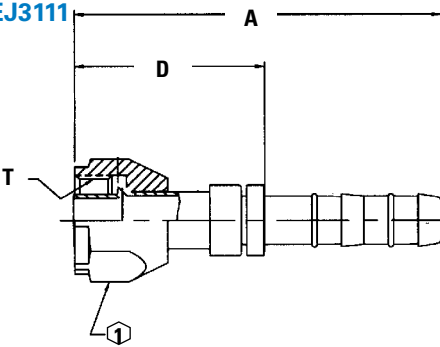
## FJ5984



### Straight - Female O-ring (Short Pilot)

Part Number	TH'D "T"	Hose Size	A Ref	D Ref	F Ref	H Ref	① Ref
FJ5984-0606S	5/8-18	6	3.14	1.62	—	—	0.75
FJ5984-0608S	5/8-18	8	3.16	1.62	—	—	0.75
FJ5984-0808S	3/4-16	8	3.56	2.02	—	—	0.88
FJ5984-0810S	3/4-16	10	3.57	2.02	—	—	0.88
FJ5984-1008S	7/8-14	8	3.62	2.08	—	—	0.88
FJ5984-1010S	7/8-14	10	3.63	2.08	—	—	1.06
FJ5984-1012S	7/8-14	12	3.66	2.08	—	—	1.06
FJ5984-1210S	1-1/16-14	10	4.25	2.62	—	—	1.25
FJ5984-1212S	1-1/16-14	12	4.25	2.67	—	—	1.25
FJ5984-1016S	7/8-14	16	3.76	2.08	—	—	1.06
FJ5984-1216S	1-1/16-14	16	4.35	2.67	—	—	1.25

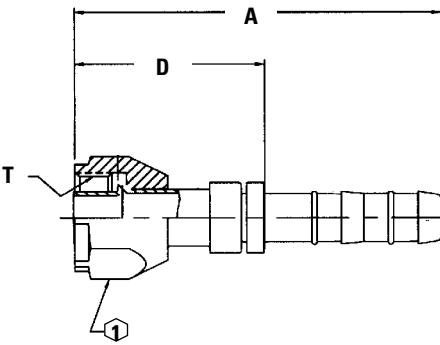
## FJ3632/EJ3111



### Straight - Female O-ring, (Long Pilot)

Part Number	TH'D "T"	Hose Size	A Ref	D Ref	F Ref	H Ref	① Ref
FJ3632-0806S	3/4-16	6	2.91	1.36	—	—	0.88
EJ3111-1216S	1-1/16-14	16	4.35	2.67	—	—	1.25
EJ3111-1016S*	7/8-14	16	3.76	2.08	—	—	1.06

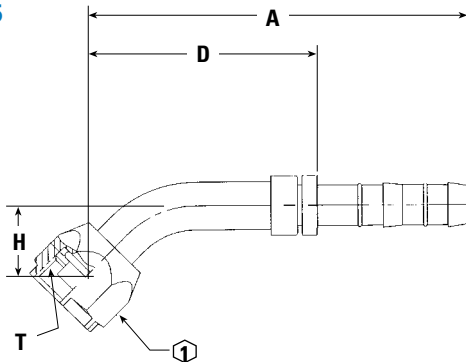
## FJ3408



### Straight - Female O-ring, Metric Thread (Long Pilot)

Part Number	TH'D "T"	Hose Size	A Ref	D Ref	F Ref	H Ref	① Ref
FJ3408-0808S	M20 x 1.5	8	3.20	1.66	—	—	0.94
FJ3408-0810S	M20 x 1.5	10	3.21	1.66	—	—	0.94
FJ3408-1212S	M27 x 2	12	4.25	2.67	—	—	1.25

## FJ3055

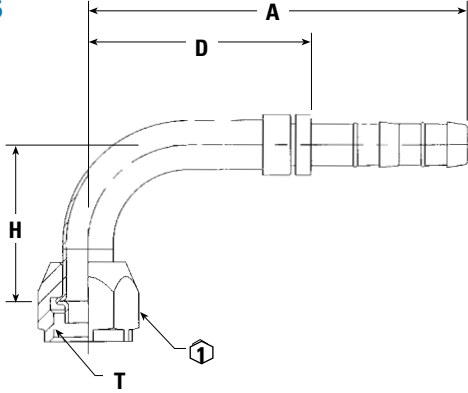


### 45° Elbow Female O-ring (Short Pilot)

Part Number	TH'D "T"	Hose Size	A Ref	D Ref	F Ref	H Ref	① Ref
FJ3055-01-0606S	5/8-18	6	3.60	2.08	—	0.67	0.75
FJ3055-02-0608S	5/8-18	8	3.62	2.08	—	0.67	0.75
FJ3055-03-0808S	3/4-16	8	3.94	2.40	—	0.73	0.88
FJ3055-04-0810S	3/4-16	10	3.95	2.40	—	0.73	0.88
FJ3055-05-1010S	7/8-14	10	4.37	2.81	—	1.19	1.06
FJ3055-06-1012S	7/8-14	12	4.46	2.88	—	1.25	1.06
FJ3055-07-1212S	1-1/16-14	12	5.33	3.75	—	1.47	1.25
FJ3055-09-1216S*	1-1/16-14	16	5.43	3.15	—	1.47	1.25
FJ3055-08-1016S	7/8-14	16	4.56	2.66	—	1.25	1.06

\* MTO (made to order)

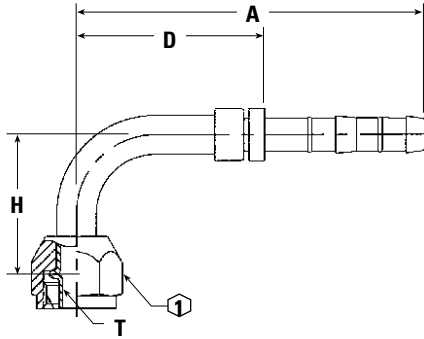
## FJ5985



### 90° Elbow – Female O-ring (Short Pilot)

Part Number	TH'D "T"	Hose Size	A Ref	D Ref	F Ref	H Ref	① Ref
FJ5985-0606S	5/8-18	6	3.32	1.79	—	1.38	0.75
FJ5985-0608S	5/8-18	8	3.33	1.79	—	1.38	0.75
FJ5985-0806S	3/4-16	6	3.86	2.33	—	1.62	0.88
FJ5985-0808S	3/4-16	8	3.77	2.23	—	1.62	0.88
FJ5985-0810S	3/4-16	10	3.78	2.23	—	1.62	0.88
FJ5985-1010S	7/8-14	10	4.22	2.67	—	1.89	1.06
FJ5985-1012S	7/8-14	12	4.24	2.67	—	1.89	1.06
FJ5985-1210S	1-1/16-14	10	4.76	3.31	—	2.56	1.25
FJ5985-1212S	1-1/16-14	12	4.74	3.16	—	2.56	1.25
FJ5985-1216S	1-1/16-14	16	4.84	3.16	—	2.56	1.25

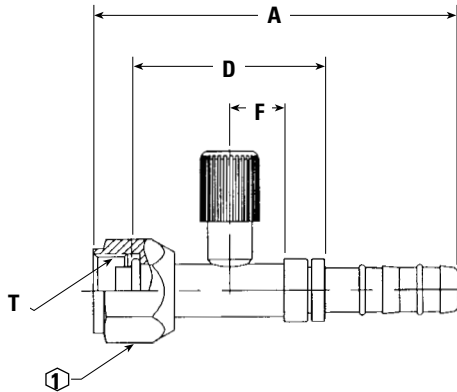
## FJ3288



### 90° Female O-ring (Long Pilot)

Part Number	TH'D "T"	Hose Size	A Ref	D Ref	F Ref	H Ref	① Ref
FJ3288-01-0606S	5/8-18	6	3.32	1.79	—	1.38	0.75
FJ3288-02-0808S	3/4-16	8	3.77	2.23	—	1.62	0.88
FJ3288-03-0806S	3/4-16	6	3.75	2.33	—	1.62	0.88
FJ3288-04-0810S	3/4-16	10	3.78	2.23	—	1.62	0.88
FJ3288-06-1216S	1-1/16-14	16	4.84	3.16	—	2.56	1.25
FJ3288-05-1016S	7/8-14	16	4.40	2.72	—	1.89	1.06
FJ3288-07-1012S	7/8-14	12	4.24	2.67	—	1.89	1.06
FJ3288-08-1212S	1-1/16-14	12	4.74	3.16	—	2.56	1.25
FJ3288-11-1010S	7/8-14	16	4.22	2.67	—	1.89	1.06

## FJ3054

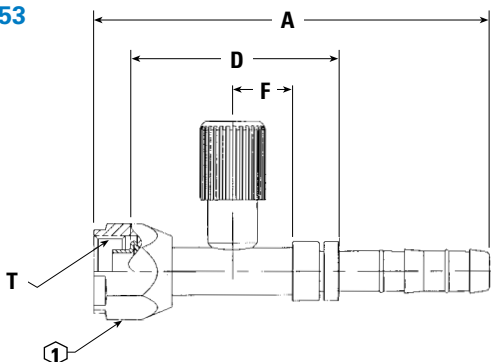


### Straight – Female O-ring (Short Pilot) with R134a Low Side Port

Part Number	TH'D "T"	Hose Size	A Ref	D Ref	F Ref	H Ref	① Ref
FJ3054-1010S	7/8-14	10	4.24	2.25	0.63	—	1.06
FJ3054-1012S	7/8-14	12	4.27	2.25	0.63	—	1.06
FJ3054-1212S	1-1/16-14	12	4.58	2.43	0.54	—	1.25
FJ3054-1216S*	1-1/16-14	16	4.68	2.43	0.54	—	1.25

\* MTO (made to order)

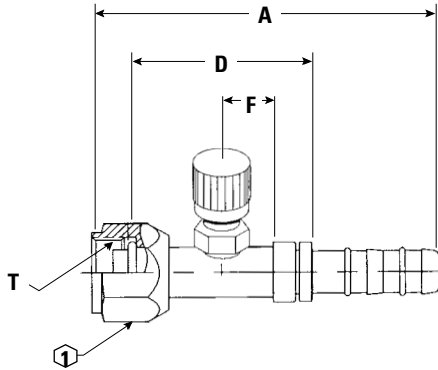
## FJ3053



### Straight – Female O-ring (Short Pilot) with R134a High Side Port

Part Number	TH'D "T"	Hose Size	A Ref	D Ref	F Ref	H Ref	① Ref
FJ3053-0606S	5/8-18	6	3.91	2.10	0.63	—	0.75
FJ3053-0806S	3/4-16	6	4.06	2.26	0.63	—	0.88
FJ3053-0808S	3/4-16	8	4.09	2.16	0.63	—	0.88
FJ3053-0810S	3/4-16	10	4.09	2.16	0.63	—	0.88

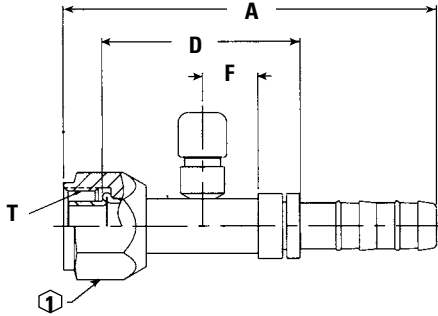
## FJ3162



### Straight – Female O-ring (Long Pilot) with Switch Port (7/16-20 thd)

Part Number	TH'D "T"	Hose Size	A Ref	D Ref	F Ref	H Ref	① Ref
FJ3162-0808S	3/4-16	8	4.09	2.16	0.79	—	0.88
FJ3162-1010S	7/8-14	10	4.25	2.25	0.79	—	1.06
FJ3162-1012S	7/8-14	12	4.27	2.25	0.79	—	1.06
FJ3162-1212S	1-1/16-14	12	4.86	2.71	0.79	—	1.25
FJ3162-1016S	7/8-14	16	4.42	2.30	0.79	—	1.06

## FJ3416

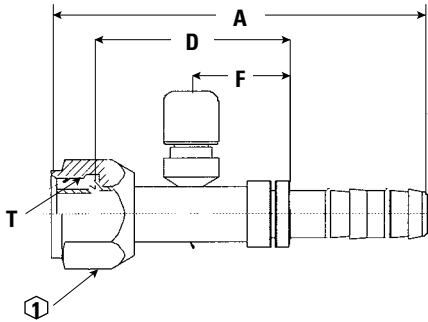


### Straight – Female O-ring (Long Pilot) with Switch Port (M10 X 1.25)

Part Number	TH'D "T"	Hose Size	A Ref	D Ref	F Ref	H Ref	① Ref
FJ3416-01-1010S	7/8-14	10	4.25	2.25	.63	—	1.06
FJ3416-02-0808S*	7/8-14	8	4.25	2.25	.63	—	1.06

\* MTO (made to order)

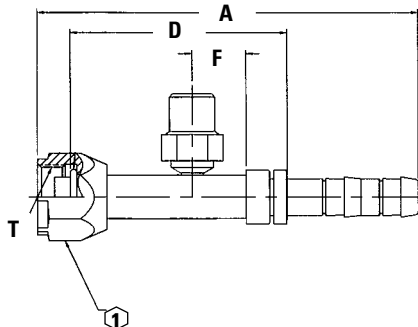
## FJ3461



### Straight – Female O-ring (Long Pilot) with Switch Port (M12 X 1.25)

Part Number	TH'D "T"	Hose Size	A Ref	D Ref	F Ref	H Ref	① Ref
FJ3461-01-1010S	7/8-14	10	4.25	2.25	.63	—	1.06
FJ3461-02-1012S	7/8-14	12	4.27	2.25	.63	—	1.06
FJ3461-03-1212S	1-1/16-14	12	4.86	2.71	.54	—	1.25

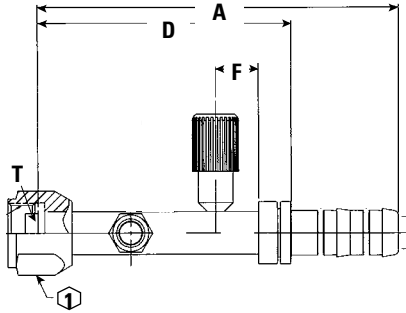
## EJ3299



### Straight - Female O-ring (Short Pilot) with Switch Port (M12 X 1.25)

Part Number	TH'D "T"	Hose Size	A Ref	D Ref	F Ref	H Ref	① Ref
EJ3299-01-0808S	3/4-16	8	4.46	2.53	.63	—	.88

## FJ3363

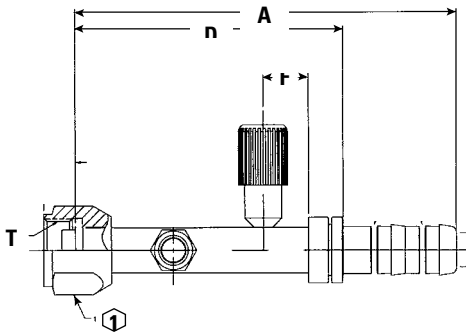


### Straight – Female O-ring (Short Pilot), with R134a High Side Port and Female Switch Connection, (1/8-27 Thread)

Part Number	TH'D "T"	Hose Size	A Ref	D Ref	F Ref	H Ref	Ⓛ Ref
FJ3363-03-0808S*	3/4-16	8	5.16	3.62	.63	—	.88
FJ3363-02-0810S*	3/4-16	10	5.54	3.62	.63	—	.88

\* MTO (made to order)

## FJ3363

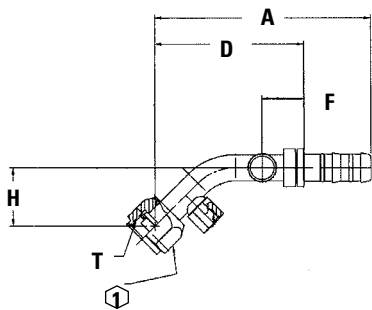


### Straight – Female O-ring (Short Pilot), with R134a Low Side Port and Female Switch Connection, (1/8-27 Thread)

Part Number	TH'D "T"	Hose Size	A Ref	D Ref	F Ref	H Ref	Ⓛ Ref
FJ3363-01-1012S	7/8-14	12	5.30	3.72	.63	—	1.06

\* MTO (made to order)

## FJ3365

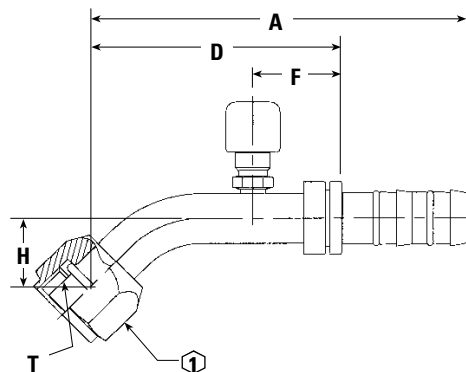


### 45° Female O-ring (Short Pilot) with R134a Low Side Port and Switch Port

Part Number	TH'D "T"	Hose Size	A Ref	D Ref	F Ref	H Ref	Ⓛ Ref
FJ3365-01-1012S*	7/8-14	12	5.09	3.51	0.50	1.43	1.13

\* MTO (made to order)

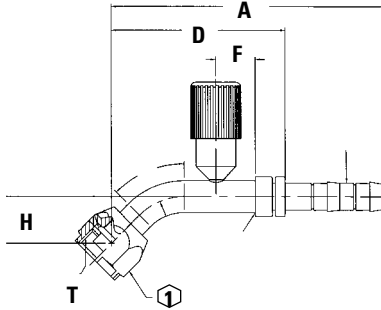
## FJ3230



### 45° Female O-ring (Long Pilot) with Switch Port (7/16-20 thd)

Part Number	TH'D "T"	Hose Size	A Ref	D Ref	F Ref	H Ref	Ⓛ Ref
FJ3230-01-0810S	3/4-16	10	4.61	2.58	0.63	0.80	0.88
FJ3230-02-1012S	7/8-14	12	4.73	2.67	0.63	0.89	1.06
FJ3230-03-0808S	3/4-16	8	4.43	2.40	0.63	0.73	0.88
FJ3230-04-1010S	7/8-14	10	5.00	2.97	0.63	1.19	1.06
FJ3230-05-1016S	7/8-14	16	4.88	2.67	0.63	0.89	1.06

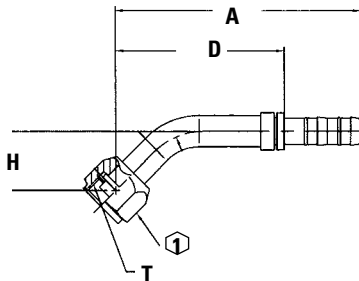
## EJ3410



### 45° Female O-ring (Short Pilot) with R134a High Side Port

Part Number	TH'D "T"	Hose Size	A Ref	D Ref	F Ref	H Ref	① Ref
EJ3410-0808S	3/4-16	8	4.3	2.76	0.62	0.73	0.88

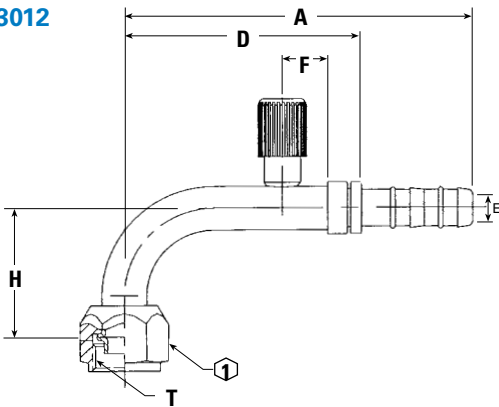
## EJ3543



### 45° Female O-ring (Short Pilot) with R134a Low Side Port (Rotated 270°)

Part Number	TH'D "T"	Hose Size	A Ref	D Ref	F Ref	H Ref	① Ref
EJ3543-1010S	7/8-14	10	4.99	3.44	0.52	1.19	1.06

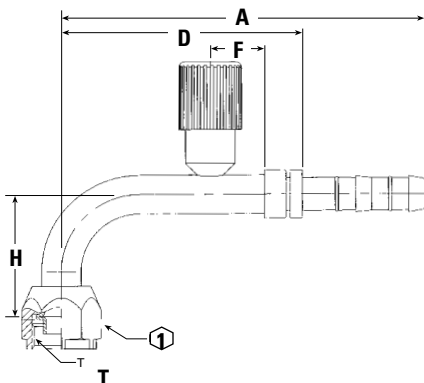
## FJ3012



### 90° Female O-ring (Short Pilot) with R134a Low Side Port

Part Number	TH'D "T"	Hose Size	A Ref	D Ref	F Ref	H Ref	① Ref
FJ3012-02-1010S	7/8-14	10	4.88	3.33	0.63	1.89	1.06
FJ3012-01-1012S	7/8-14	12	4.83	3.25	0.63	1.89	1.06
FJ3012-03-1212S	1-1/16-14	12	5.10	3.52	0.63	2.56	1.25

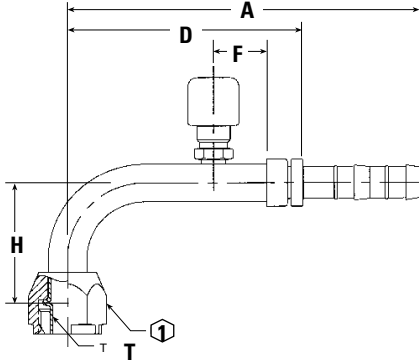
## FJ3013/ EJ3302



### 90° Female O-ring (Short Pilot) with R134a High Side Port

Part Number	TH'D "T"	Hose Size	A Ref	D Ref	F Ref	H Ref	① Ref
FJ3013-02-0606S	5/8-18	6	4.35	2.82	0.63	1.38	0.75
FJ3013-03-0808S	3/4-16	8	4.61	3.07	0.69	1.62	0.88
FJ3013-01-0810S	3/4-16	10	4.53	2.98	0.69	1.62	0.88
EJ3302-01-0608S	M18 x 1.5	8	4.36	2.82	0.94	1.38	0.88
EJ3302-01-0808S	M20 x 1.5	8	4.52	2.98	0.69	1.62	0.94

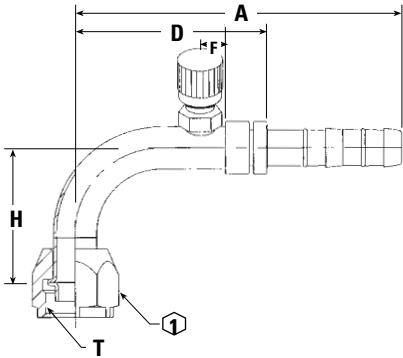
## FJ3289



### 90° Female O-ring (Long Pilot) with Switch Port (7/16-20 thd)

Part Number	TH'D "T"	Hose Size	A Ref	D Ref	F Ref	H Ref	Ⓛ Ref
FJ3289-01-0808S	3/4-16	8	4.61	2.59	0.69	1.62	0.88
FJ3289-02-1010S	7/8-14	10	4.80	2.77	0.63	1.93	1.06
FJ3289-03-0606S	5/8-18	6	4.35	2.82	0.69	1.35	0.75
FJ3289-04-0810S	3/4-16	10	4.62	2.59	0.69	1.62	0.88
FJ3289-05-1012S	7/8-14	12	4.82	2.77	0.63	1.93	1.06

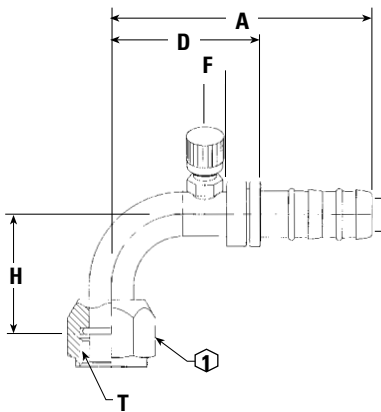
## FJ3163



### 90° Elbow - Female O-ring (Short Pilot) with Switch Port (7/16-20 thd)

Part Number	TH'D "T"	Hose Size	A Ref	D Ref	F Ref	H Ref	Ⓛ Ref
FJ3163-01-1010S	7/8-14	10	4.80	3.25	0.79	1.89	1.06
FJ3163-02-1212S	1-1/16-14	12	5.08	3.50	0.79	2.56	1.25

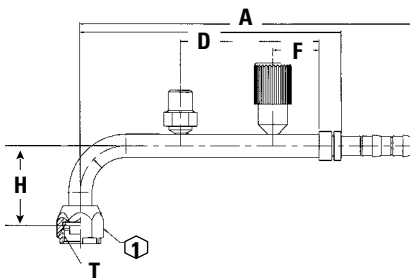
## FJ3047



### 90° Female O-ring (Long Pilot) with Charge Port (7/16-20Thd) - 45° Port Rotation

Part Number	TH'D "T"	Hose Size	A Ref	D Ref	F Ref	H Ref	Ⓛ Ref
FJ3047-1012S	7/8-14	12	4.06	2.48	0.50	1.69	1.06
FJ3047-1016S	7/8-14	16	4.21	2.53	0.50	1.69	1.06

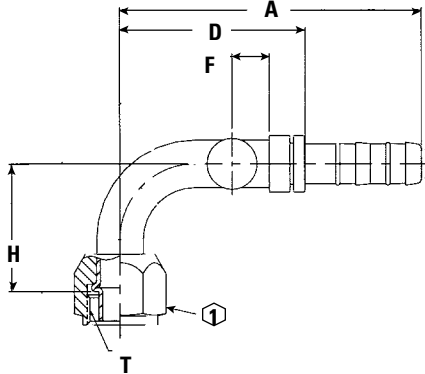
## EJ3298



### 90° Female O-ring (Short Pilot) with R134a High Side Port and a Switch Port

Part Number	TH'D "T"	Hose Size	A Ref	D Ref	F Ref	H Ref	Ⓛ Ref
EJ3298-01-0808S	3/4-16	8	7.22	5.67	1	1.71	0.88

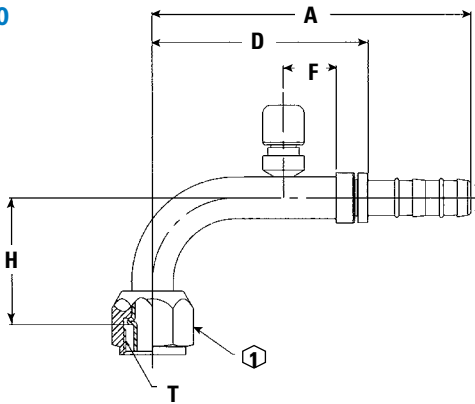
## FJ3444



### 90° Female O-ring (long pilot) with Switch Port (7/16-20 thd) – 90° Port Rotation

Part Number	TH'D "T"	Hose Size	A Ref	D Ref	F Ref	H Ref	① Ref
FJ3444-1010S	7/8-14	10	4.03	2.48	.50	1.69	1.06

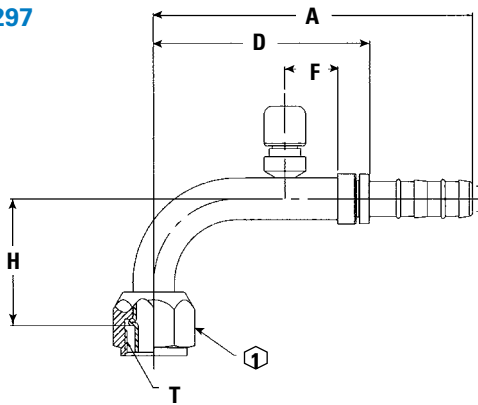
## FJ3460



### 90° Female O-ring (Long Pilot) with Switch Port (M12 X 1.25)

Part Number	TH'D "T"	Hose Size	A Ref	D Ref	F Ref	H Ref	① Ref
FJ3460-01-1010S	7/8-14	10	4.80	3.25	0.79	1.89	1.06
FJ3460-02-1012S	7/8-14	12	4.83	3.25	0.79	1.89	1.06
FJ3460-03-1212S	1-1/16-14	12	5.08	3.50	.54	2.56	1.25

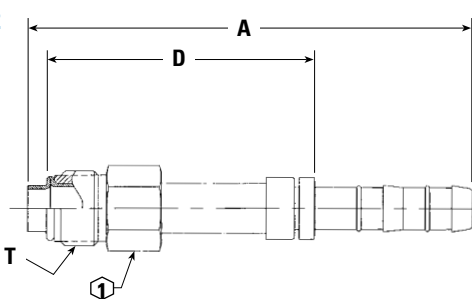
## EJ3297



### 90° Female O-ring (Short Pilot) with Switch Port (M12 X 1.25)

Part Number	TH'D "T"	Hose Size	A Ref	D Ref	F Ref	H Ref	① Ref
EJ3297-01-0808S	3/4-16	8	4.16	2.62	0.87	1.68	0.88

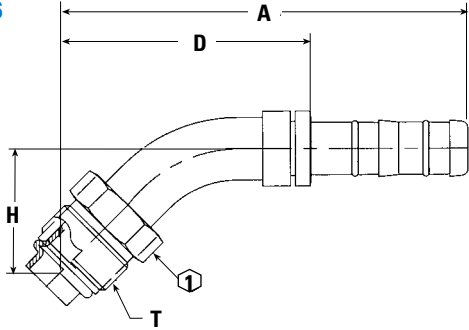
## FJ3052



### Straight Male O-ring (Short Pilot)

Part Number	TH'D "T"	Hose Size	A Ref	D Ref	F Ref	H Ref	① Ref
FJ3052-0606S	5/8-18	6	3.41	1.70	—	—	0.62
FJ3052-0608S	5/8-18	8	3.43	1.70	—	—	0.62
FJ3052-0808S	3/4-18	8	4.37	2.64	—	—	0.75
FJ3052-1010S	7/8-18	10	3.66	1.92	—	—	0.88
FJ3052-1012S	7/8-18	12	3.68	1.92	—	—	0.88
FJ3052-1212S	1-1/16-16	12	3.68	1.92	—	—	1.06
FJ3052-1016S	7/8-18	16	4.33	2.47	—	—	0.88
FJ3052-1216S	1 1/16 -16	16	4.28	2.42	—	—	1.06

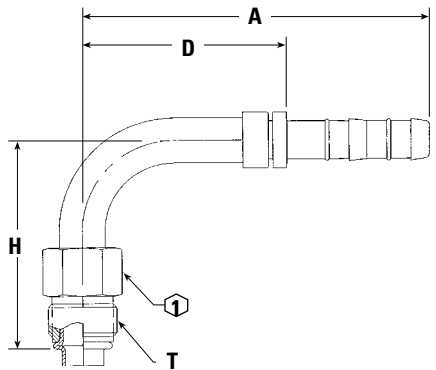
## FJ3116



### 45° Male O-ring (Short Pilot)

Part Number	TH'D "T"	Hose Size	A Ref	D Ref	F Ref	H Ref	① Ref
FJ3116-01-0606S	5/8-18	6	3.99	2.47	—	0.94	0.62
FJ3116-03-0808S	3/4-18	8	4.59	2.83	—	1.20	0.75
FJ3116-02-1010S	7/8-18	10	4.65	3.10	—	1.46	0.88
FJ3116-04-0608S	5/8-18	8	4.01	2.47	—	0.94	0.62
FJ3116-05-1012S	7/8-18	12	4.68	3.10	—	1.47	0.88
FJ3116-06-1212S	1 1/16-16	12	4.90	3.32	—	1.53	1.06

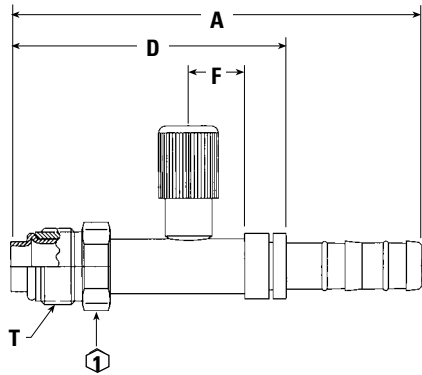
## FJ3019



### 90° Male O-ring (Short Pilot)

Part Number	TH'D "T"	Hose Size	A Ref	D Ref	F Ref	H Ref	① Ref
FJ3019-03-0606S	5/8-18	6	3.33	1.80	—	1.77	0.62
FJ3019-02-0608S	5/8-18	8	3.34	1.80	—	1.77	0.62
FJ3019-04-0808S	3/4-18	8	3.77	2.23	—	2.31	0.75
FJ3019-06-0810S	3/4-18	10	3.78	2.23	—	2.31	0.75
FJ3019-01-1012S	7/8-18	12	4.24	2.67	—	2.45	0.88
FJ3019-05-1212S	1-1/16-16	12	4.22	2.64	—	2.79	1.06
FJ3019-07-1010S	7/8-18	10	4.22	2.67	—	2.45	0.88
FJ3019-08-1210S	1-1/16-16	10	4.19	2.64	—	2.79	1.06

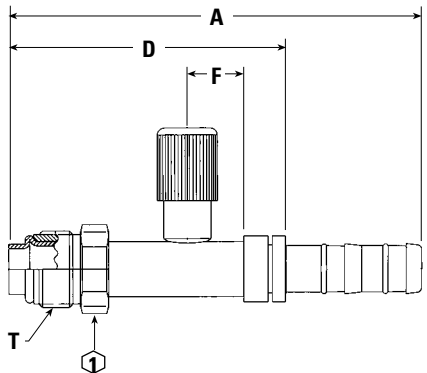
## FJ3132



### Straight Male O-ring (Short Pilot) with R134a Low Side Port

Part Number	TH'D "T"	Hose Size	A Ref	D Ref	F Ref	H Ref	① Ref
FJ3132-01-1010S	7/8-18	10	4.43	2.70	0.63	—	0.88
FJ3132-02-1012S	7/8-18	12	4.46	2.70	0.63	—	0.88

## FJ3131



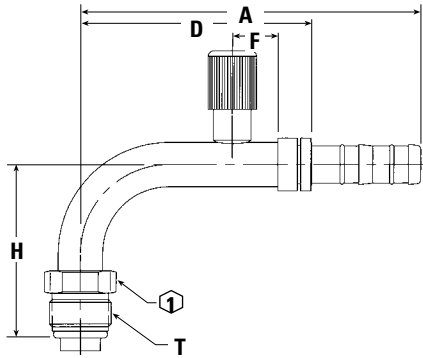
### Straight Male O-ring (Short Pilot) with R134a High Side Port

Part Number	TH'D "T"	Hose Size	A Ref	D Ref	F Ref	H Ref	① Ref
FJ3131-01-0606S	5/8-18	6	4.18	2.47	0.63	—	0.62
FJ3131-02-0808S	3/4-18	8	4.58	2.85	0.63	—	0.75
FJ3131-03-1010S	7/8-18	10	4.34	2.61	0.63	—	0.88



# E-Z Clip System™ - Fittings

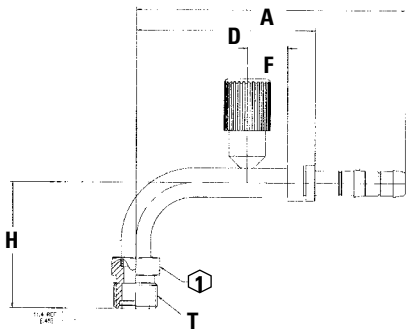
## FJ3134



### 90° Elbow Male O-ring (Short Pilot) with R134a High Side Port

Part Number	TH'D "T"	Hose Size	A Ref	D Ref	F Ref	H Ref	① Ref
FJ3134-01-0606S	5/8-18	6	4.34	2.82	0.63	1.75	0.62
FJ3134-02-0808S	3/4-18	8	4.61	3.07	0.63	2.31	0.75
FJ3134-03-1010S	7/8-18	10	4.81	3.25	0.63	2.34	0.88

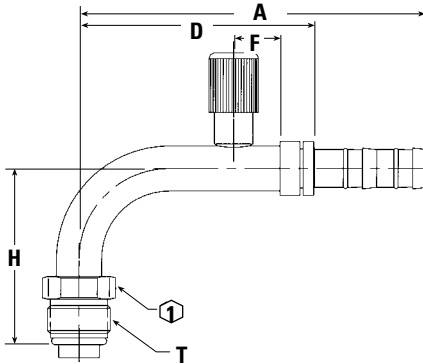
## FJ3611



### 90° Elbow Male MIO with R134a High Side Port

Part Number	TH'D "T"	Hose Size	A Ref	D Ref	F Ref	H Ref	① Ref
FJ3611-01-0808S	3/4-16	8	4.61	3.07	0.69	2.17	0.813

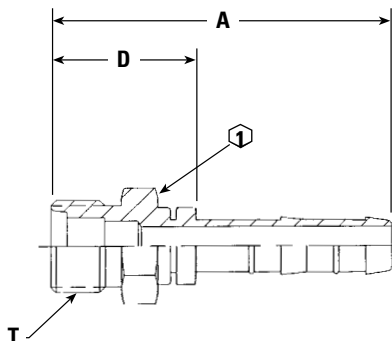
## FJ3135



### 90° Elbow Male O-ring (Short Pilot) with R134a Low Side Port

Part Number	TH'D "T"	Hose Size	A Ref	D Ref	F Ref	H Ref	① Ref
FJ3135-01-1010S	7/8-18	10	4.81	3.25	0.63	2.34	0.88
FJ3135-02-1012S	7/8-18	12	4.81	3.25	0.63	2.34	0.88

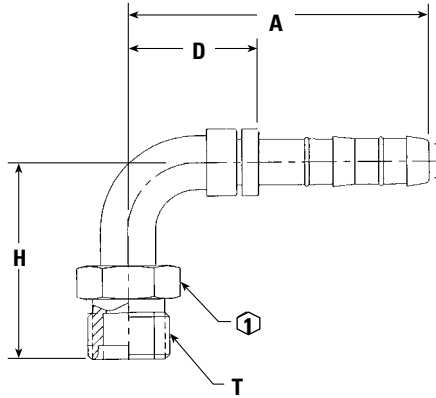
## FJ3026



### Male MIO (Male Insert O-ring) Straight

Part Number	TH'D "T"	Hose Size	A Ref	D Ref	F Ref	H Ref	① Ref
FJ3026-0606S	5/8-18	6	3.36	1.83	—	—	0.690
FJ3026-0808S	3/4-16	8	2.69	1.15	—	—	0.810
FJ3026-1010S	7/8-14	10	2.90	1.35	—	—	0.940
FJ3026-1012S	7/8-14	12	4.11	2.50	—	—	0.940
FJ3026-1212S	1-1/16-14	12	4.29	2.71	—	—	1.125

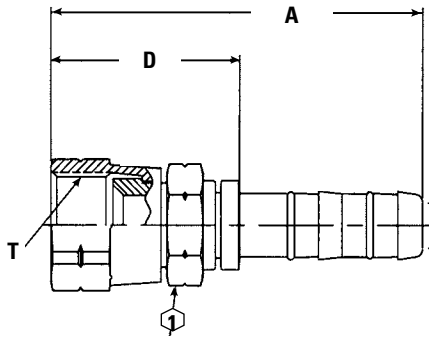
## FJ3056



### 90° Male MIO – (Male Insert O-ring)

Part Number	TH'D "T"	Hose Size	A Ref	D Ref	F Ref	H Ref	① Ref
FJ3056-01-0606S	5/8-18	6	2.50	0.98	—	1.44	0.69
FJ3056-02-0808S	3/4-16	8	2.74	1.20	—	1.82	0.81
FJ3056-03-1010S	7/8-14	10	3.09	1.54	—	2.13	0.94
FJ3056-04-0810S	3/4-16	10	2.75	1.20	—	1.82	0.81
FJ3056-05-0608S	5/8-18	8	2.52	0.98	—	1.44	0.69

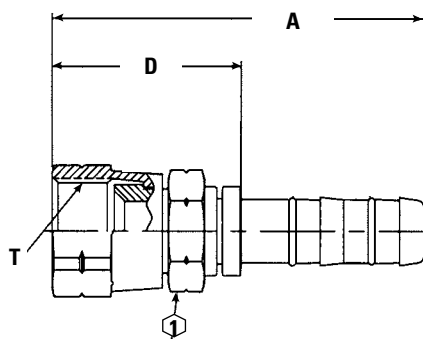
## FJ3057



### Female SAE 45° Flares

Part Number	TH'D "T"	Hose Size	A Ref	D Ref	F Ref	H Ref	① Ref
FJ3057-01-0606S	5/8-18	6	2.88	1.35	—	—	0.56
FJ3057-02-0608S	5/8-18	8	3.14	1.62	—	—	0.75
FJ3057-03-0808S	3/4-16	8	2.96	1.42	—	—	0.69
FJ3057-04-0810S	3/4-16	10	3.56	2.02	—	—	0.88
FJ3057-05-1010S	7/8-14	10	3.63	2.08	—	—	1.00
FJ3057-06-1012S	7/8-14	12	3.66	2.08	—	—	1.00
FJ3057-07-1212S	1-1/16-14	12	3.20	1.62	—	—	1.25

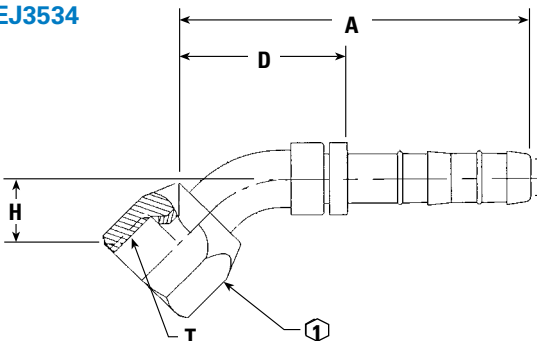
## FJ3731



### Straight – Female 37° Flares

Part Number	TH'D "T"	Hose Size	A Ref	D Ref	F Ref	H Ref	① Ref
FJ3731-1010S	7/8-14	10	4.21	2.66	—	—	1.00
FJ3731-0606S	9/16-18	6	3.66	2.13	—	—	0.68
FJ3731-0808S	3/4-16	8	4.35	2.81	—	—	0.88
FJ3731-1212S	1-1/16-12	12	4.62	3.04	—	—	1.25
FJ3731-1616S	1-5/16-12	16	5.99	4.31	—	—	1.50
FJ3731-0404S	7/16-20	4	2.75	2.08	—	—	0.56

## EJ3534

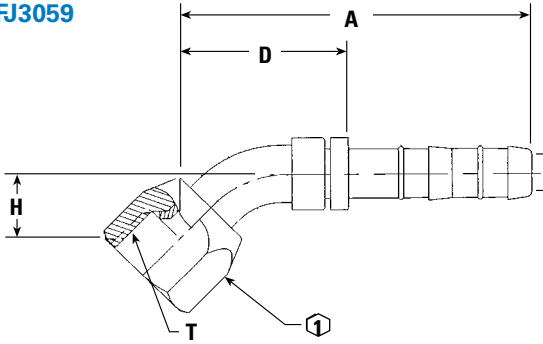


### 45° Female JIC 37° Flare

Part Number	TH'D "T"	Hose Size	A Ref	D Ref	F Ref	H Ref	① Ref
EJ3534-02-0606S	9/16-18	6	3.31	1.79	—	0.74	1.00
EJ3534-03-0608S	9/16-18	8	3.76	3.22	—	1.10	0.68
EJ3534-04-0808S	3/4-16	8	4.04	2.49	—	1.10	0.88
EJ3534-05-1010S	7/8-14	10	4.21	2.66	—	1.27	1.25
EJ3534-06-1212S	1-1/16-12	12	4.30	2.73	—	1.33	1.50
EJ3534-07-1616S	1-5/16-12	16	5.46	3.79	—	1.92	1.50
EJ3534-01-0404S	7/16-20	4	2.37	1.70	—	0.63	0.56

# E-Z Clip System™ - Fittings

## FJ3059

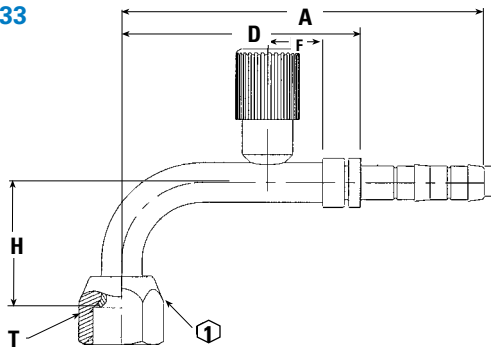


## 45° Female SAE 45° and Universal Flares

Part Number	TH'D "T"	Hose Size	A Ref	D Ref	F Ref	H Ref	① Ref
FJ3059-01-0606S†	5/8-18	6	2.61	1.08	—	0.39	0.75
FJ3059-02-0608S†	5/8-18	8	2.62	1.08	—	0.39	0.75
FJ3059-03-0808S*	3/4-16	8	2.97	1.43	—	0.55	0.88
FJ3059-04-0810S*	3/4-16	10	2.98	1.43	—	0.55	0.88
FJ3059-05-1010S*	7/8-14	10	3.08	1.53	—	0.63	1.00
FJ3059-06-1012S*	7/8-14	12	3.11	1.53	—	0.63	1.00

† Double notch in nut for universal type identification  
\* Universal Flare

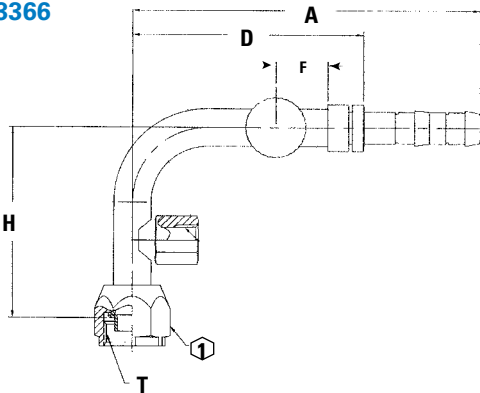
## FJ3133



## 90° Female SAE 45° with High Side Charge Port (R134a)

Part Number	TH'D "T"	Hose Size	A Ref	D Ref	F Ref	H Ref	① Ref
FJ3133-01-0606S	5/8-18	6	4.35	2.82	0.63	1.28	0.75
FJ3133-02-0808S	3/4-16	8	4.61	3.07	0.63	1.53	0.88
FJ3133-03-1010S	7/8-14	10	4.80	3.25	0.63	1.84	0.88

## FJ3366

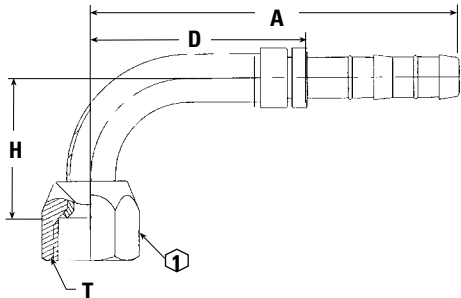


## SAE 90° and with R134a C/Port and Switch Port

Part Number	TH'D "T"	Hose Size	A Ref	D Ref	F Ref	H Ref	① Ref
FJ3366-01-0810S*	3/4-16	10	4.62	3.07	0.69	2.53	0.875
FJ3366-02-0808S*	3/4-16	8	4.61	3.07	0.69	2.53	0.875

\* MTO (made to order)

## FJ3149



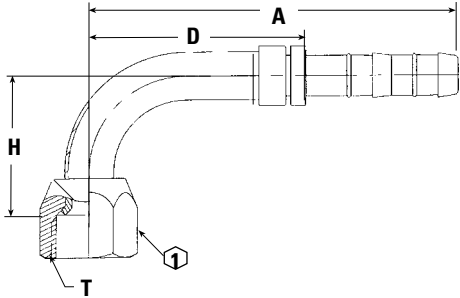
## 90° Female SAE 45° and Universal Flares

Part Number	TH'D "T"	Hose Size	A Ref	D Ref	F Ref	H Ref	① Ref
FJ3149-01-0606S†	5/8-18	6	2.51	0.98	—	0.85	0.75
FJ3149-02-0608S†	5/8-18	8	2.52	0.98	—	0.85	0.75
FJ3149-03-0808S*	3/4-16	8	2.74	1.20	—	1.09	0.88
FJ3149-04-1010S*	7/8-14	10	3.09	1.54	—	1.19	1.00
FJ3149-05-1012S*	7/8-14	12	3.09	1.54	—	1.19	1.00
FJ3149-06-1212S†	1-1/16-14	12	3.68	2.11	—	1.80	1.25

† Double notch in nut for universal type identification  
\* Universal Flare

# E-Z Clip System™ - Fittings

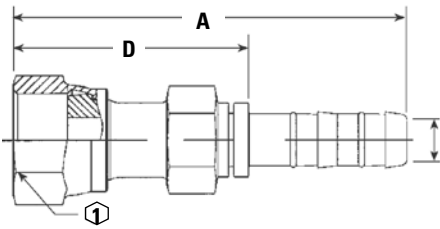
## EJ3533



### 90° Female JIC 37° Flare

Part Number	TH'D "T"	Hose Size	A Ref	D Ref	F Ref	H Ref	① Ref
EJ3533-02-0606S	9/16-18	6	3.27	1.74	—	1.69	0.69
EJ3533-03-0608S	9/16-18	8	3.28	1.74	—	1.69	0.69
EJ3533-04-0808S	3/4-16	8	3.14	1.60	—	1.77	0.88
EJ3533-05-1010S	7/8-14	10	3.78	2.23	—	2.59	1.00
EJ3533-06-1212S	1 1/16-12	12	4.11	2.53	—	3.02	1.25
EJ3533-07-1616S	1 5/16-12	16	5.16	3.48	—	3.86	1.50
EJ3533-01-0404S	7/16-20	4	2.09	1.42	—	1.21	0.56

## GA23911

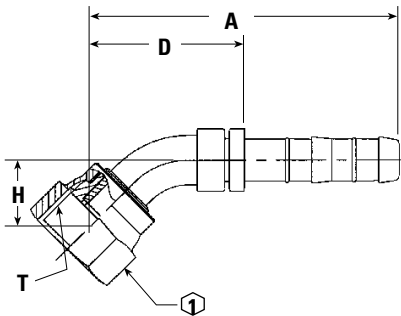


### Straight - ORS Female Swivel Metric Hex Nut<sup>Δ</sup>

Part Number	TH'D "T"	Hose Size	A Ref	D Ref	F Ref	H Ref	① Ref
GA23911-6-6	1-1/16-16	6	2.95	1.43	—	—	22mm
GA23911-8-8	1-3/16-16	8	3.17	1.62	—	—	24mm
GA23911-10-12	1-14	12	3.32	1.74	—	—	30mm
GA23911-10-10	1-14	10	3.33	1.78	—	—	30mm
GA23911-12-12	1-3/16-12	12	3.320	1.52	—	—	41mm

Δ Metric Hex

## FJ3161 GA23912

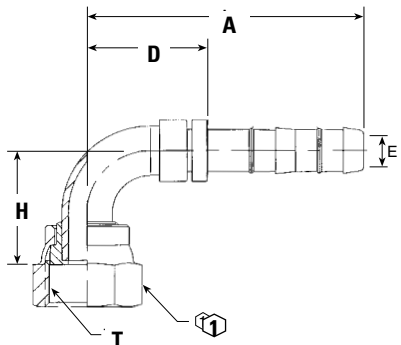


### 45° ORS Female Swivel

Part Number	TH'D "T"	Hose Size	A Ref	D Ref	F Ref	H Ref	① Ref
FJ3161-01-0606S	11/16-16	6	2.65	1.12	—	0.44	0.81
FJ3161-02-0808S	13/16-16	8	3.02	1.47	—	0.59	0.94
FJ3161-03-1010S	1-14	10	3.22	1.67	—	0.70	1.13
FJ3161-04-1008S	1-14	8	3.32	1.78	—	0.70	1.13
GA23912-10-8*	1-14	8	3.50	1.96	—	0.68	30mm
GA23912-12-12*	1-3/16-12	12	4.23	2.65	—	0.83	36mm
F3161-08-0810S	13/16-16	10	3.02	1.47	—	0.59	0.94
GA23912-10-10*	1-14	10	3.77	2.22	—	0.68	30mm
GA23912-8-8	13-16-16	8	3.43	1.89	—	0.59	30mm

\* GA Part numbers have a metric hex

## FJ5994/ GA23913



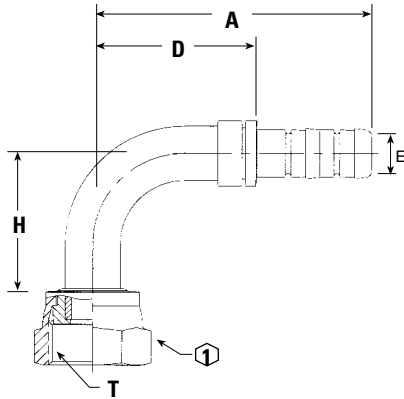
### 90° ORS Female Swivel

Part Number	TH'D "T"	Hose Size	A Ref	D Ref	F Ref	H Ref	① Ref
FJ5994-01-0606S*	1-1/16-16	6	2.50	0.98	—	0.91	0.81
FJ5994-02-0808S*	13/16-16	8	2.74	1.20	—	1.15	0.94
FJ5994-04-1010S*	1-14	10	3.09	1.53	—	1.27	1.12
FJ5994-03-1212S*	1-3/16-12	12	3.36	1.78	—	1.90	1.38
FJ5994-05-0406S*	9/16-18	6	2.44	0.92	—	0.82	0.69
FJ5994-05-1012S*	1-14	12	3.11	1.53	—	1.78	1.13
FJ5994-07-0806S*	13/16-16	6	2.66	1.10	—	1.15	0.94
FJ5994-09-1016S	1-14	16	3.30	1.62	—	1.78	1.125
GA23913-10-12*	1-14	12	3.67	2.10	—	1.54	1.18

\* GA Part numbers have a metric hex

# E-Z Clip System™ - Fittings

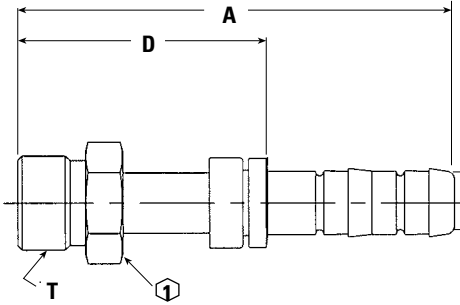
## FJ3319



### 90° ORS Female Swivel (Long Drop)

Part Number	TH'D "T"	Hose Size	A Ref	D Ref	F Ref	H Ref	① Ref
FJ3319-1212S	1-3/16-12	12	3.82	2.24	—	2.38	1.13

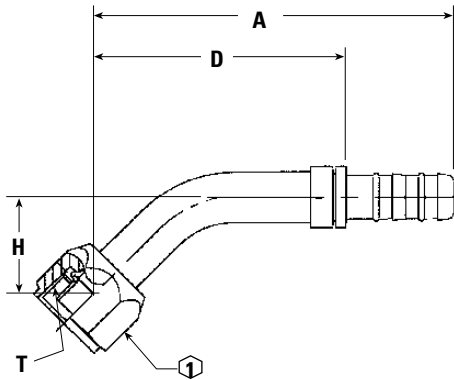
## FJ3136



### Straight Male O-ring (Rigid) Metric Thread

Part Number	TH'D "T"	Hose Size	A Ref	D Ref	F Ref	H Ref	① Ref
FJ3136-0810S	M20 x 1.5	10	3.62	2.07	0.69	—	0.88

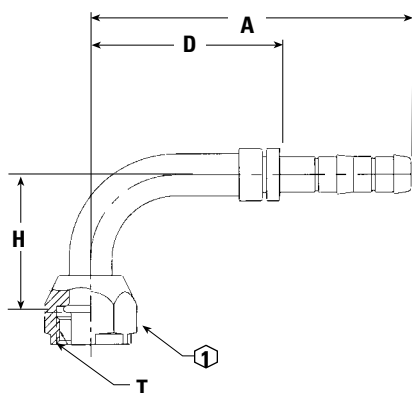
## FJ3192



### 45° Female O-ring (long pilot, metric thread)

Part Number	TH'D "T"	Hose Size	A Ref	D Ref	F Ref	H Ref	① Ref
FJ3192-02-1212S	M27x2	12	4.74	3.17	—	1.47	1.25

## FJ3111 FJ3409

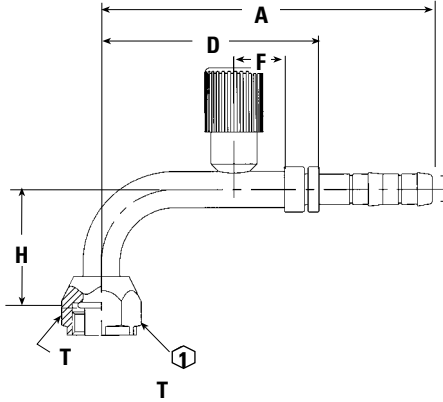


### 90° Female O-ring (Long Pilot) Metric Thread

Part Number	TH'D "T"	Hose Size	A Ref	D Ref	F Ref	H Ref	① Ref
FJ3111-01-0808S	M20 x 1.5	8	3.77	2.23	—	1.62	0.94
FJ3111-02-0810S	M20 x 1.5	10	3.78	2.23	—	1.62	0.94
FJ3111-03-0806S*	M20 x 1.5	6	3.75	2.23	—	1.62	0.94
FJ3409-1212S	M27 x 2	12	4.74	3.16	—	2.56	1.25

\* MTO (made to order)

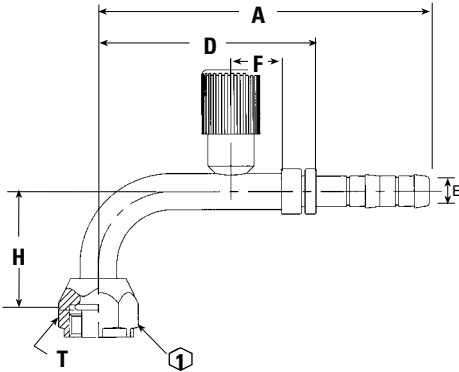
## FJ3892



### 90° Female O-ring (Long Pilot) with R134a Low Side Port (Metric Thread)

Part Number	TH'D "T"	Hose Size	A Ref	D Ref	F Ref	H Ref	① Ref
FJ3892-01-1010S	M24 x 1.5	10	4.88	3.33	.63	1.89	1.125

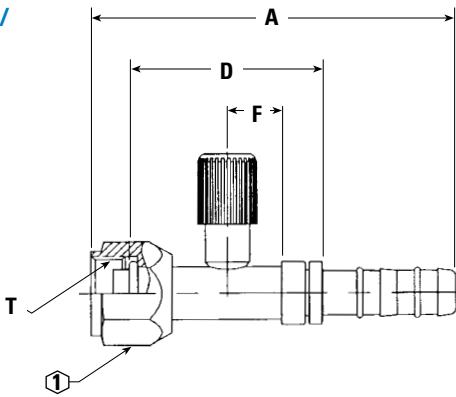
## FJ3112



### 90° Female O-ring (Long Pilot) Metric Thread with High Side Charge Port (R134a)

Part Number	TH'D "T"	Hose Size	A Ref	D Ref	F Ref	H Ref	① Ref
FJ3112-01-0808S	M20 x 1.5	8	4.52	2.98	0.69	1.62	0.94
FJ3112-02-0810S	M20 x 1.5	10	4.53	2.98	0.69	1.62	0.94
FJ3112-03-0806S	M20 x 1.5	6	4.50	2.98	0.69	1.62	0.94
FJ3112-03-1010S	M24 x 1.5	10	4.88	3.33	0.63	1.89	1.125

## FJ3890/ FJ3301

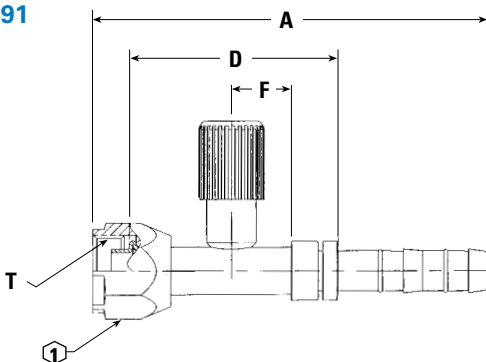


### Straight – Female O-ring (Long Pilot) with R134a High Side Port (Metric Thread)

Part Number	TH'D "T"	Hose Size	A Ref	D Ref	F Ref	H Ref	① Ref
FJ3890-01-0806S	M20 x 1.5	6	4.06	2.16	0.63	—	0.94
FJ3301-01-0606S*	M18 x 1.5	6	3.91	2.10	0.63	—	0.94

\* MTO (made to order)

## FJ3891

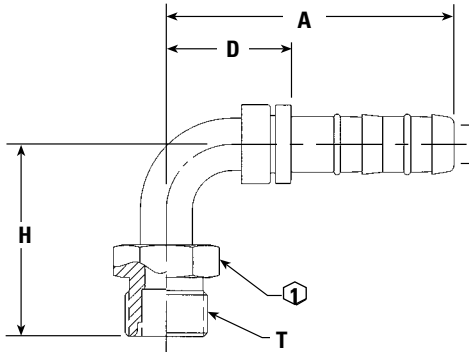


### Straight – Female O-ring (Long Pilot) with R134a Low Side Port (Metric Thread)

Part Number	TH'D "T"	Hose Size	A Ref	D Ref	F Ref	H Ref	① Ref
FJ3891-01-1010S	M24 x 1.5	10	4.24	2.25	0.62	1.62	1.125

# E-Z Clip System™ - Fittings

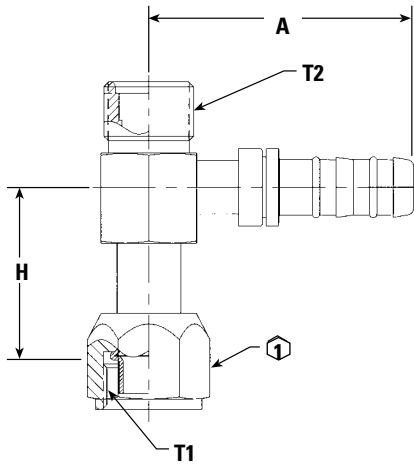
## FJ3113



### 90° Male O-ring (Rigid) Metric Thread

Part Number	TH'D "T"	Hose Size	A Ref	D Ref	F Ref	H Ref	① Ref
FJ3113-0810S	M20 x 1.5	10	2.75	1.20	—	1.82	0.88

## FJ3067 FJ3495

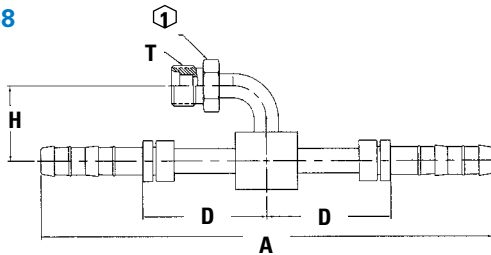


### GM Tie In – Metric Tee

Part Number	TH'D "T"	Hose Size	A Ref	D Ref	F Ref	H Ref	① Ref
FJ3067-1212S*	M27 x 2	12	3.12	—	—	2.02	1.25
FJ3495-0808S	M20 x 1.5	8	2.71	—	—	1.68	0.94

\* MTO (made to order)

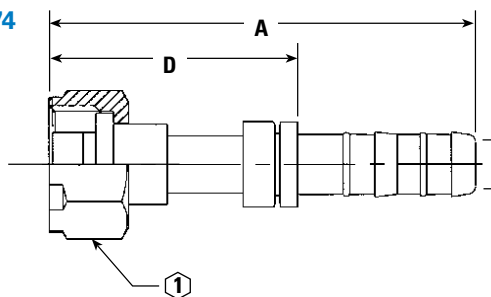
## EJ3158



### Tee Style Fitting with Male O-ring Connection

Part Number	TH'D "T"	Hose Size	A Ref	D Ref	F Ref	H Ref	① Ref
EJ3158-101212S	7/8-14	12	5.67	1.26	—	1.49	0.94
EJ3158-121616S	1-1/16-14	16	6.79	1.72	—	2.13	1.13
EJ3158-060808S	5/8-18	8	6.86	1.88	—	1.14	0.69
EJ3158-080808S	3/4-16	8	6.86	1.89	—	1.39	0.81

## FJ3274

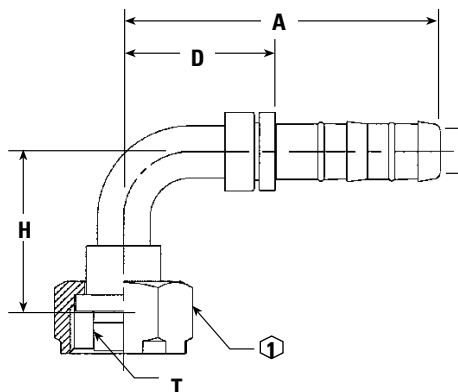


### Straight – Female Rotolok

Part Number	TH'D "T"	Hose Size	A Ref	D Ref	F Ref	H Ref	① Ref
FJ3274-1010S	1-14	10	3.69	2.14	—	—	1.13
FJ3274-1012S*	1-14	12	3.75	2.14	—	—	1.13

\* MTO (made to order)

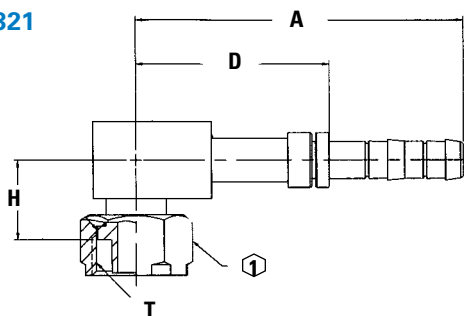
## FJ3225



### 90° Female Rotalok

Part Number	TH'D "T"	Hose Size	A Ref	D Ref	F Ref	H Ref	① Ref
FJ3225-1010S	1-14	10	2.98	1.43	—	1.52	1.13
FJ3225-1008S	1-14	8	2.98	1.43	—	1.52	1.13
FJ3225-1012S	1-14	12	3.11	1.54	—	1.62	1.13

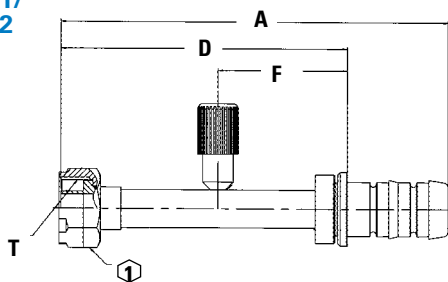
## EJ3321



### Short Drop 90° Female Rotalok

Part Number	TH'D "T"	Hose Size	A Ref	D Ref	F Ref	H Ref	① Ref
EJ3321-1008S	1-14	8	3.62	2.07	—	0.91	1.13
EJ3321-1012S	1-14	12	3.87	2.29	—	0.91	1.13

## EJ3421/ EJ3422

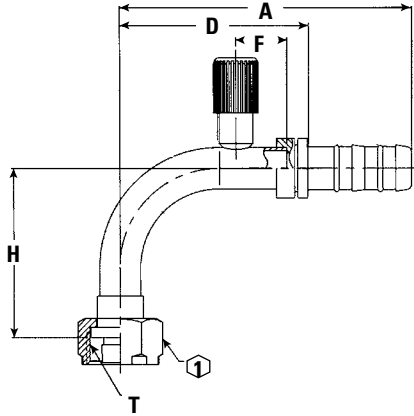


### Female Rotalok with R134 Port

Part Number	TH'D "T"	Hose Size	A Ref	D Ref	F Ref	H Ref	① Ref
EJ3421-1012S	1-14	12	6.44	4.86	2.17	High	1.13
EJ3422-1016S	1-14	16	6.45	4.77	2.15	Low	1.13



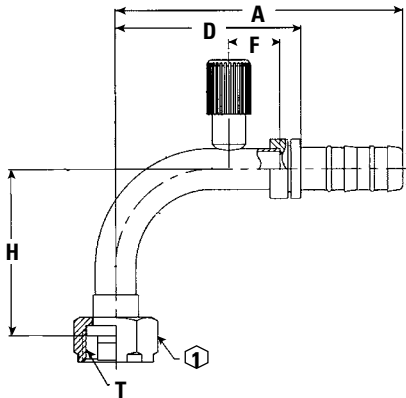
## FJ3510



### 90° Female Rotalok with R134a Low Side Port

Part Number	TH'D "T"	Hose Size	A Ref	D Ref	F Ref	H Ref	① Ref
FJ3510-1012S	1-14	12	4.48	2.88	.79	2.58	1.13

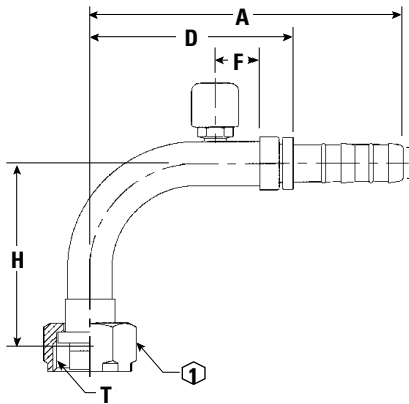
## FJ3511



### 90° Female Rotalok with R134a High Side Port

Part Number	TH'D "T"	Hose Size	A Ref	D Ref	F Ref	H Ref	① Ref
FJ3511-1010S	1-14	10	4.43	2.88	.79	2.58	1.13

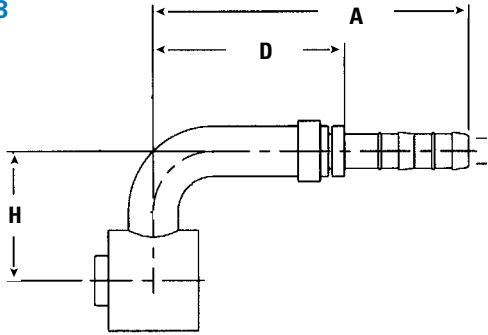
## FJ3226



### 90° Female Rotalok with Switch Port (7/16-20 Thread)

Part Number	TH'D "T"	Hose Size	A Ref	D Ref	F Ref	H Ref	① Ref
FJ3226-1010S	1-14	10	4.43	2.88	0.63	2.56	1.13

## FJ3568

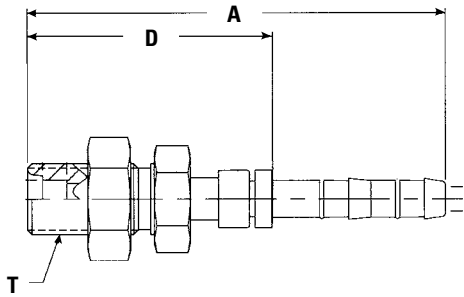


### 90° GM Block Style

Part Number	TH'D "T"	Hose Size	A Ref	D Ref	F Ref	H Ref	① Ref
FJ3568-1008S*	—	8	3.92	2.38	—	1.60	—
FJ3568-1010S*	—	10	3.83	2.28	—	2.31	—
FJ3568-1012S*	—	12	3.86	2.28	—	2.38	—

\* MTO (made to order)

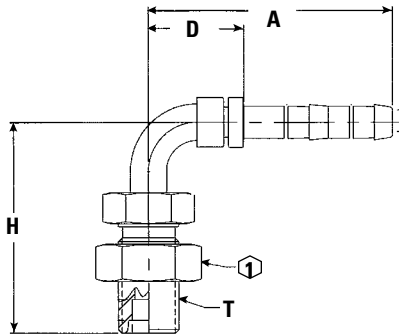
## FJ3513



### Straight Bulkhead

Part Number	TH'D "T"	Hose Size	A Ref	D Ref	F Ref	H Ref	① Ref
FJ3513-0606S	5/8-18	6	3.69	2.16	—	—	.94
FJ3513-0808S	3/4-16	8	3.93	2.39	—	—	1.0
FJ3513-1010S	7/8-14	10	4.49	2.94	—	—	1.13
FJ3513-1212S	1-1/16-14	12	4.83	3.24	—	—	1.38
FJ3513-1216S	1-1/16-14	16	4.92	3.24	—	—	1.38

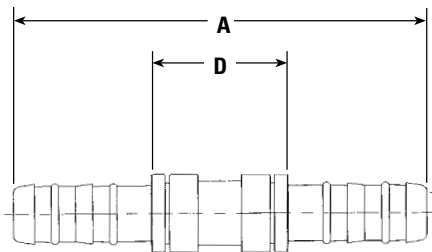
## FJ3514



### 90° Male Bulkhead

Part Number	TH'D "T"	Hose Size	A Ref	D Ref	F Ref	H Ref	① Ref
FJ3514-0606S	5/8-18	6	2.50	.98	—	2.15	.94
FJ3514-0808S	3/4-16	8	2.74	1.20	—	2.61	1.0
FJ3514-1010S	7/8-14	10	3.08	1.53	—	3.26	1.13
FJ3514-1012S	7/8-14	12	3.11	1.53	—	3.26	1.13
FJ3514-1212S	1-1/16-14	12	3.69	2.11	—	3.78	1.38

## FJ3045

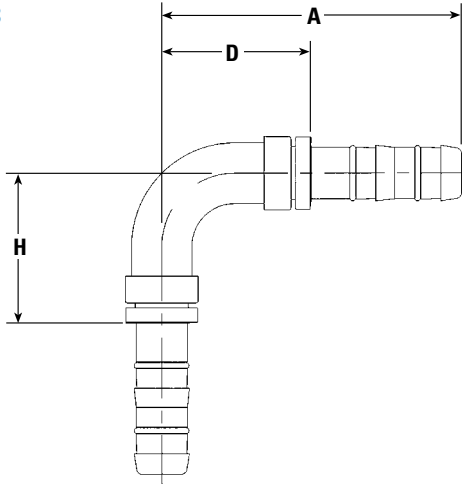


### Straight Splicer

Part Number	TH'D "T"	Hose Size	A Ref	D Ref	F Ref	H Ref	① Ref
FJ3045-0606S	—	6	4.63	1.58	—	—	—
FJ3045-0808S	—	8	4.76	1.68	—	—	—
FJ3045-1010S	—	10	5.68	2.58	—	—	—
FJ3045-1212S	—	12	4.72	1.57	—	—	—
FJ3045-1008S	—	8	5.78	2.69	—	—	—
FJ3045-1616S	—	16	5.18	1.82	—	—	—

# E-Z Clip System™ - Fittings

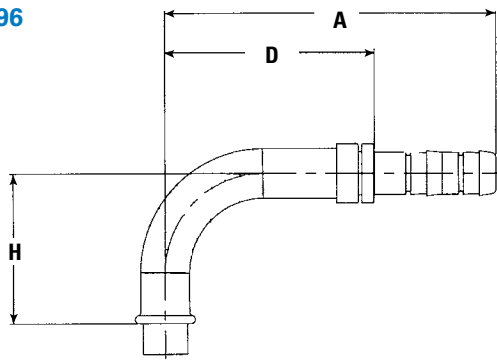
## FJ3058



### 90° Splicer

Part Number	TH'D "T"	Hose Size	A Ref	D Ref	F Ref	H Ref	① Ref
FJ3058-01-0606S	—	6	2.71	1.18	—	2.71	—
FJ3058-02-0808S	—	8	2.98	1.43	—	2.98	—
FJ3058-03-1010S	—	10	3.08	1.53	—	3.08	—
FJ3058-04-1212S	—	12	3.68	2.11	—	3.68	—
FJ3058-05-1010S	—	10	6.86	5.61	—	6.86	—
FJ3058-06-1212S	—	12	6.86	5.36	—	6.86	—

## FJ3496

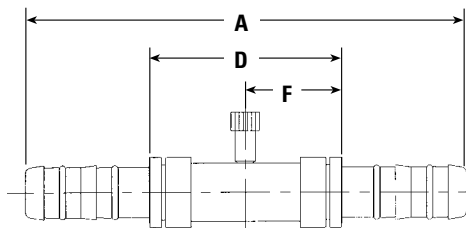


### 90° Pilot Connection (Long Pilot)

Part Number	TH'D "T"	Hose Size	A Ref	D Ref	F Ref	H Ref	① Ref
FJ3496-01-1010S	—	10	4.22	2.67	—	1.89	—
FJ3496-02-0808S*	—	8	3.77	2.23	—	1.62	—
FJ3496-03-1012S	—	12	4.25	2.67	—	1.89	—

\* MTO (made to order)

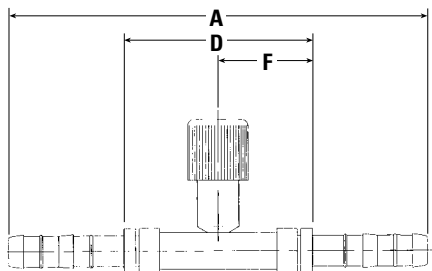
## FJ3171



### Splicer with Switch Port (7/16-20 Thd)

Part Number	TH'D "T"	Hose Size	A Ref	D Ref	F Ref	H Ref	① Ref
FJ3171-0606S	—	6	5.41	2.36	1.18	—	—
FJ3171-0808S	—	8	5.61	2.52	1.26	—	—
FJ3171-1010S	—	10	5.54	2.44	1.22	—	—
FJ3171-1212S	—	12	5.60	2.44	1.22	—	—
FJ3171-1616S	—	16	6.79	3.44	1.72	—	—

## FJ5995

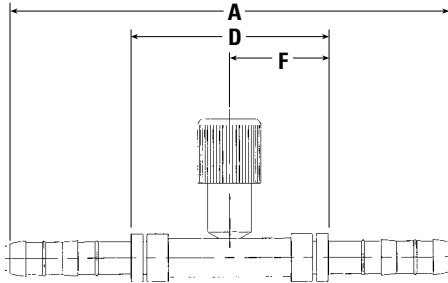


### Splicer with High Side R134a Port

Part Number	TH'D "T"	Hose Size	A Ref	D Ref	F Ref	H Ref	① Ref
FJ5995-0606S	—	6	5.41	2.36	1.18	—	—
FJ5995-0808S	—	8	5.61	2.52	1.26	—	—
FJ5995-1010S	—	10	5.62	2.52	1.26	—	—
FJ5995-1212S	—	12	5.67	2.52	1.26	—	—

\* MTO (made to order)

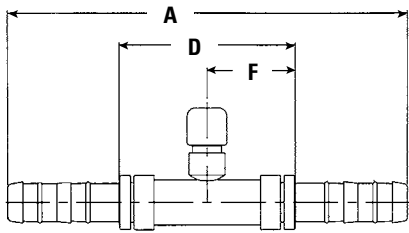
FJ5986



### Splicer with R134a Low Side Port

Part Number	TH'D "T"	Hose Size	A Ref	D Ref	F Ref	H Ref	① Ref
FJ5986-1010S	—	10	5.54	2.44	1.22	—	—
FJ5986-1212S	—	12	5.60	2.44	1.22	—	—
FJ5986-1616S	—	16	6.79	3.44	1.72	—	—

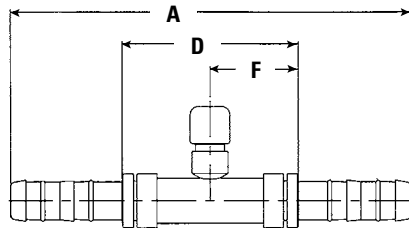
FJ3427



### Splicer with High Side Switch Port (M10 X 1.25)

Part Number	TH'D "T"	Hose Size	A Ref	D Ref	F Ref	H Ref	① Ref
FJ3427-0808S	—	8	5.61	2.52	1.26	—	—
FJ3427-1010S	—	10	5.54	2.44	1.22	—	—

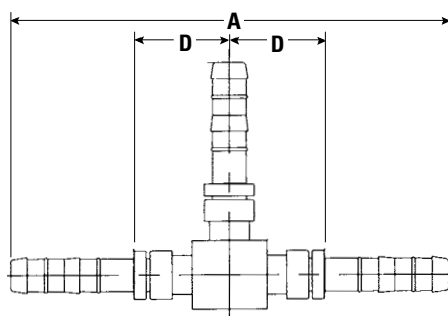
FJ3428



### Splicer with Low Side Switch Port (M12 X 1.25)

Part Number	TH'D "T"	Hose Size	A Ref	D Ref	F Ref	H Ref	① Ref
FJ3428-1212S	—	12	5.59	2.44	1.22	—	—

FJ3066



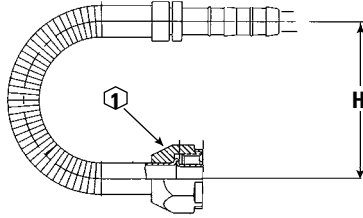
### "T" Splicer - 3 Hose Connector

Part Number	TH'D "T"	Hose Size	A Ref	D Ref	F Ref	H Ref	① Ref
FJ3066-0808S	—	8	5.48	2.40	—	—	—
FJ3066-1010S	—	10	5.62	2.52	—	—	—
FJ3066-1212S	—	12	5.67	2.52	—	—	—
FJ3066-101212S	—	10x12x12	5.67	2.52	—	—	—
FJ3066-060808S	—	6x8x8	5.48	2.40	—	—	—
FJ3066-060606S*	—	6x6x6	5.48	2.40	—	—	—

\* MTO (made to order)

# E-Z Clip System™ - Fittings

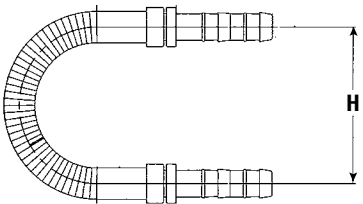
FJ3623



## 180° Female O-ring Pilot

Part Number	TH'D "T"	Hose Size	A Ref	D Ref	F Ref	H Ref	① Ref
FJ3623-0808S	M20 x 1.5	8	—	—	—	2.50	.94

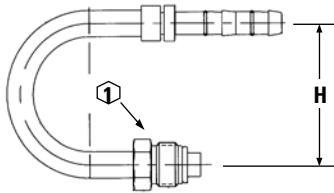
FJ3624



## 180° Spicer

Part Number	TH'D "T"	Hose Size	A Ref	D Ref	F Ref	H Ref	① Ref
FJ3624-0808S	—	8	—	—	—	2.50	—

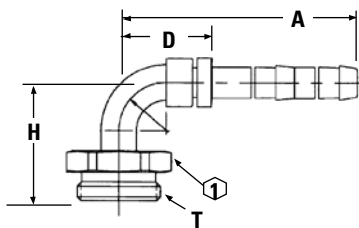
FJ3804



## 180° Male O-ring

Part Number	TH'D "T"	Hose Size	A Ref	D Ref	F Ref	H Ref	① Ref
FJ3804-0606S	5/8-18	6	—	—	—	2.00	.625
FJ3804-1010S	7/8-18	10	—	—	—	3.00	.88

FJ3914

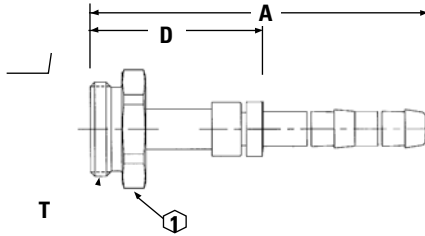


## 90° 5400 Coupling Thread

Part Number	TH'D "T"	Hose Size	A Ref	D Ref	F Ref	H Ref	① Ref
FJ3914-03-1210S	1 1/4-18	10	3.08	1.53	—	1.23	1.375
FJ3914-03-0806S	7/8-20	6	2.50	0.98	—	1.23	1.00

# E-Z Clip System™ - Fittings

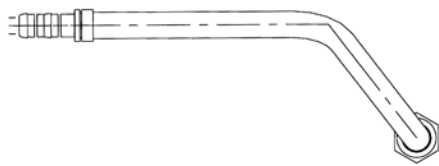
**FJ3970**



## Straight 5400 Coupling Thread

Part Number	TH'D "T"	Hose Size	A Ref	D Ref	F Ref	H Ref	① Ref
FJ3970-0606S	7/8 x 20	6	3.14	1.82	—	—	1.00

**FJ3734**

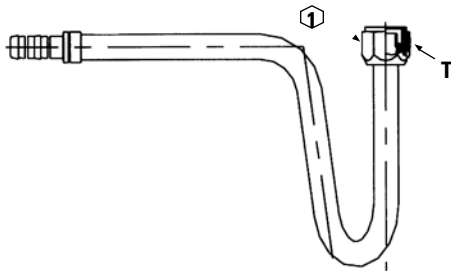


## Female O-ring (Long Pilot) Compound Tube

Part Number	TH'D "T"	Hose Size	A Ref	D Ref	F Ref	H Ref	① Ref
FJ3734-1212S*	1 1/16 x 14	12	—	—	—	—	1.25

\* MTO (made to order)

**FJ3801**

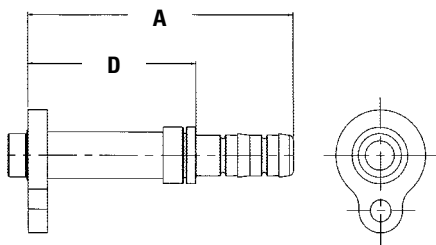


## Female O-ring (Long Pilot) Compound Tube

Part Number	TH'D "T"	Hose Size	A Ref	D Ref	F Ref	H Ref	① Ref
FJ3801-1212S*	1 1/16 x 14	12	—	—	—	—	1.25

\* MTO (made to order)

**FJ3977**

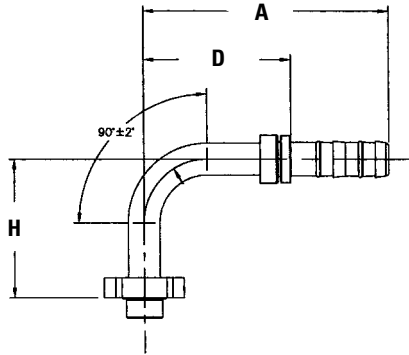


## Pad Style Connection (Volvo)

Part Number	TH'D "T"	Hose Size	A Ref	D Ref	F Ref	H Ref	① Ref
FJ3977-0806S	—	6	3.34	1.82	—	—	—
FJ3977-0810S	—	10	3.74	2.19	—	—	—
FJ3977-1012S	—	12	4.32	2.73	—	—	—

# E-Z Clip System™ - Fittings

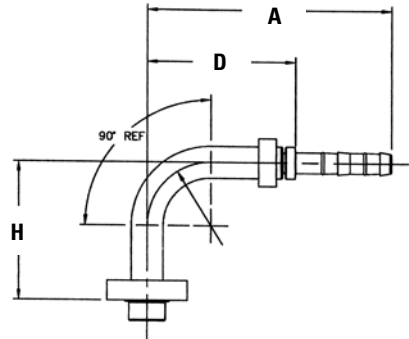
## FJ3982



### 90° Pad Style Connection (Volvo)

Part Number	TH'D "T"	Hose Size	A Ref	D Ref	F Ref	H Ref	① Ref
FJ3982-0806S	—	6	3.86	2.33	—	2.18	—
FJ3982-0810S	—	10	3.86	2.31	—	2.18	—

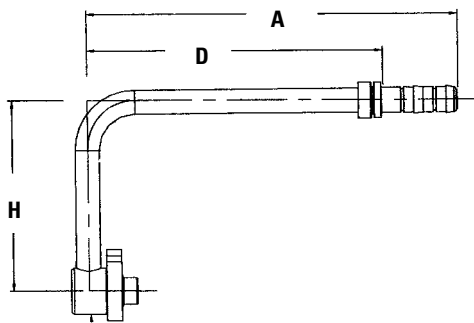
## FJ3983



### 90° Pad Style Connection (Volvo) (Pad Orientation 90°)

Part Number	TH'D "T"	Hose Size	A Ref	D Ref	F Ref	H Ref	① Ref
FJ3983-0806S	—	6	3.86	2.33	—	2.18	—

## FJ3980

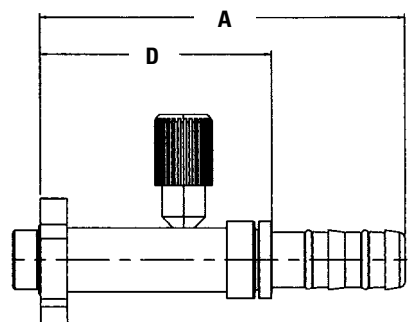


### 180° Pad Style Connection

Part Number	TH'D "T"	Hose Size	A Ref	D Ref	F Ref	H Ref	① Ref
FJ3980-0810S*	—	10	6.04	4.48	—	3.92	—

\* MTO (made to order)

## FJ3978

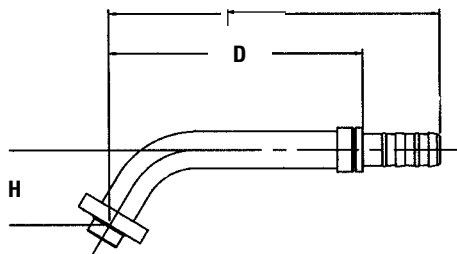


### Straight Pad Style (Volvo) with R134a Low Side Port

Part Number	TH'D "T"	Hose Size	A Ref	D Ref	F Ref	H Ref	① Ref
FJ3978-1012S*	—	12	4.32	2.73	—	—	—

\* MTO (made to order)

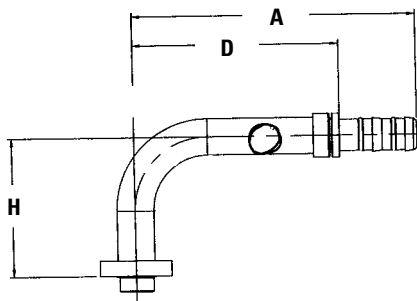
## FJ3979



### 60° Elbow, Pad Style (Volvo) with R134a Low Side Port

Part Number	TH'D "T"	Hose Size	A Ref	D Ref	F Ref	H Ref	① Ref
FJ3979-1012S	—	12	6.78	5.2	—	1.53	—

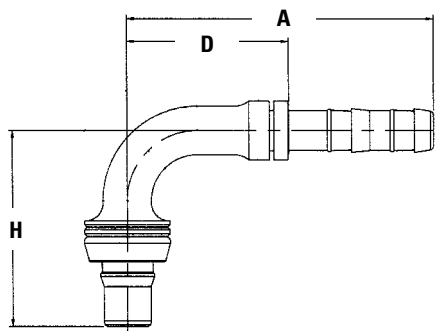
## FJ3981



### 90° Elbow, Pad Style (Volvo) with R134a Low Side Port

Part Number	TH'D "T"	Hose Size	A Ref	D Ref	F Ref	H Ref	① Ref
FJ3981-1012S	—	12	5.9	4.32	—	2.84	—

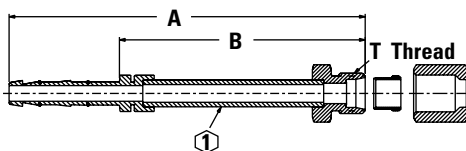
## IF20340



### 90° to STC

Part Number	TH'D "T"	Hose Size	A Ref	D Ref	F Ref	H Ref	① Ref
1F20340-0808-S	—	8	3.03	1.49	—	2.09	—

## EJ3809



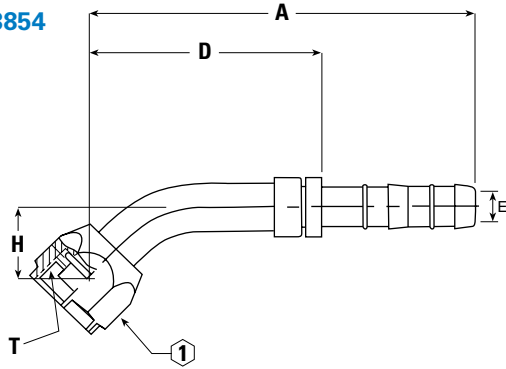
### E-Z Clip Compression Fitting

Part Number	TH'D "T"	Hose Size	A Ref	B Ref	F Ref	H Ref	① Ref
EJ3809-01-0606S	9/16-18	6	4.92	3.40	—	—	0.69
EJ3809-02-0806S	2/4-16	6	4.93	2.40	—	—	0.88
EJ3809-03-0606S	9/16-18	6	4.94	3.40	—	—	0.69
EJ3809-04-0808S	3/4-16	8	4.84	3.30	—	—	0.88
EJ3809-05-1008S	7/8-14	8	4.73	3.19	—	—	1.00
EJ3809-06-0810S	3/4-16	10	4.85	3.30	—	—	0.88
EJ3809-07-1010S	7/8-14	10	4.64	3.09	—	—	1.00
EJ3809-08-1012S	7/8-14	12	4.66	3.09	—	—	1.00
EJ3809-09-1212S	1-1/16-12	12	4.98	3.40	—	—	1.25
EJ3809-10-1210S	1-1/16-12	10	5.05	3.50	—	—	1.25



# E-Z Clip System™ - Fittings, Special Order

GA23854

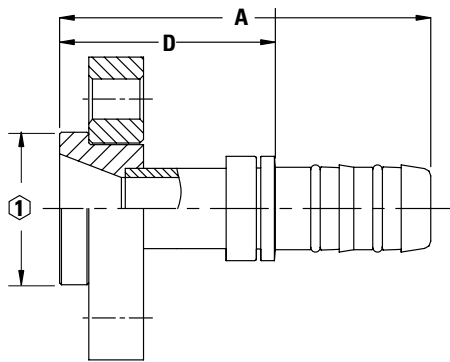


## 45° Female O-ring (Long Pilot)

Part Number	TH'D "T"	Hose Size	A Ref	D Ref	F Ref	H Ref	① Ref
GA23854-12-16*	1 1/16-14	16	5.125	3.175	—	1.39	32mm

\* MTO (made to order)

GA24335

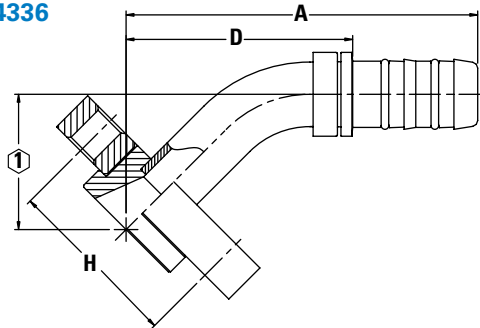


## Straight Bock Compressor Fitting

Part Number	TH'D "T"	Hose Size	A Ref	D Ref	F Ref	H Ref	① Ref
GA24335-22-16	—	16	4.01	2.33	—	—	1.65

\* MTO (made to order)

GA24336

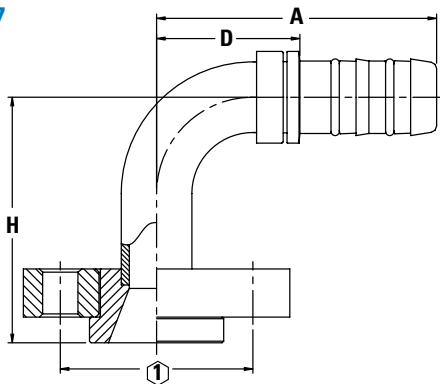


## 45° Bock Compressor Fitting

Part Number	TH'D "T"	Hose Size	A Ref	D Ref	F Ref	H Ref	① Ref
GA24336-22-16	—	16	4.72	3.04	—	1.81	1.65

\* MTO (made to order)

GA24337



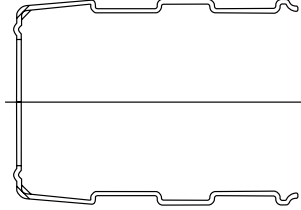
## 90° Bock Compressor Fitting

Part Number	TH'D "T"	Hose Size	A Ref	D Ref	F Ref	H Ref	① Ref
GA24337-22-16	—	16	3.44	1.76	—	3.01	1.65

\* MTO (made to order)

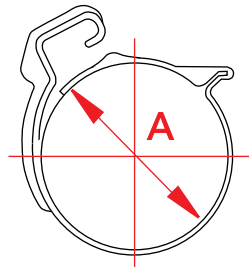
# E-Z Clip System™ - Cages, Clips, and Lifesavers

## Cages/Fitting to Hose Attachment



Part Number	Cage Size	Hose Description
1F40105-04C	-04	Cages for size -04 hose
1F40105-06C	-06	Cages for size -06 hose
1F40105-08C	-08	Cages for size -08 hose
1F40105-10C	-10	Cages for size -10 hose
1F40105-12C	-12	Cages for size -12 hose
1F40105-16C	-16	Cages for size -16 hose

## Clips Hose/Cage Connection

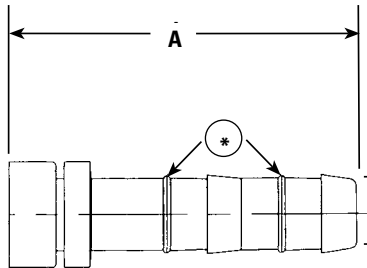


Part Number	A Ref	Description
1F40104-04C	14.0 mm	Clips for size -04 hose
1F40104-06C	18.0 mm	Clips for size -06 hose
1F40104-08C	20.5 mm	Clips for size -08 hose
1F40104-10C	23.0 mm	Clips for size -10 hose
1F40104-12C	27.5 mm	Clips for size -12 hose
1F40104-16C	33.0 mm	Clips for size -16 hose

## Clip and Cage Kits

Kit Part Number	Hose Size	Number of Clips per Kit	Number of Cages per kit
FF14175	4	1	1
FF14171	6	2	1
FF14172	8	2	1
FF14173	10	2	1
FF14174	12	2	1
FF14401	16	2	1
FF13819	6	4	2
FF13820	8	4	2
FF13821	10	4	2
FF13822	12	4	2
FF14402	16	4	2

## Lifesaver Braze Nipple



Part Number	TH'D "T"	Hose Size	A Ref
FF12262-0606	—	6	2.01
FF12262-0608	—	8	2.02
FF12262-0808	—	8	2.02
FF12262-0810	—	10	2.03
FF12262-1010	—	10	2.03
FF12262-1012	—	12	2.06
FF12262-1212	—	12	2.21
FF12262-1616	—	16	2.21
FF12262-1016	—	16	2.21
FF12262-1216	—	16	2.21

\* O-rings packaged separately

# E-Z Clip System™ - Aluminum Lifesaver

## A/C Hose Repair System

The Aluminum Lifesaver braze fitting is designed to rework failed OEM aluminum air conditioning tubing and hose assemblies in sizes 10mm to 18mm (metric tubing only, -6 to -12). This repair system allows the installer to reuse unique OEM terminal connections, while replacing the failed OEM hose and nipple with the E-Z Clip attachment system.

**NOTE:** The E-Z Clip system can only be used with Aeroquip GH134 hose.



## E-Z to use

Each kit contains the correct components for replacement of a single hose assembly.

Aeroquip GH134 hose must be ordered or purchased separately.

Determine tube OD for Hose ID per chart below:

### Standard Configurations

Size *	Tube OD mm (in)	Hose ID mm (in)	Hose Part Number	Use Lifesaver Kit Part Number
-6	10 (.39)	8 (.32)	GH134-6	FF13727-1006
-8	12 (.47)	11 (.42)	GH134-8	FF13727-1208
-10	16 (.63)	13 (.51)	GH134-10	FF13727-1610
-12	18 (.71)	16 (.64)	GH134-12	FF13727-1812

\*This (-) size label will be referenced throughout the instructions

## E-Z Clip Aluminum Lifesaver Kits – Part number Ordering Guide:

Order Kit No.	Kit Component	Description	Qty
FF13727 -size	GW1172-size	Braze-on nipple	2
	1F40106-size	Nipple O-ring	5
	GA7000579-size	Silver Braze Ring	3
		Assembly Instructions	1

# E-Z Clip System™ - E-Z Clip Size 4\*\*

Refrigeration/air conditioning SAE J2064 Type E Class 1, Multi-refrigerant



#							
Part Number	Hose I.D. Inches	Hose O.D. Inches	Maximum Operating Pressure psi	Minimum Burst Pressure psi	Minimum Bend Radius Inches	Vacuum *Service* Inch/Hg	Weight Per Foot Pounds
	mm/inches	mm/inches	Bar	Bar	mm/inches	Inches	Pounds
FC505-04	5.08/.20	11.2/.44	500	2500	38.0/1.50	29.5	07

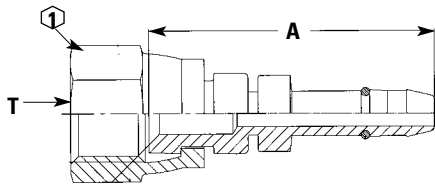
**Construction:** Nylon veneer tube, stabilized synthetic braided reinforcement and chlorobutyl rubber cover.

**Application:** Transportation refrigeration and air conditioning systems using R-134a, R-12, R-22 or R-502 (contact Eaton for additional refrigerants).

**Operating Temperature Range:** -40°F to +275°F (-40°C to +135°C).

\*All sizes will withstand full negative pressure for charging purposes.

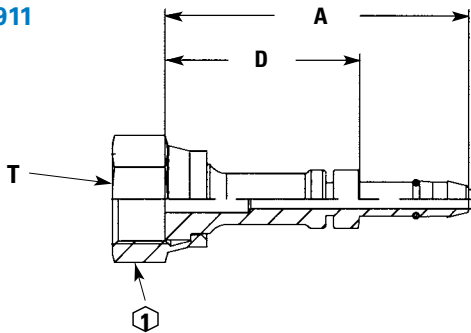
## GA24048



### Straight Female SAE Flare

Part Number	TH'D "T"	Hose Size	A Ref	D Ref	F Ref	H Ref	① Ref
GA24048-4-4	7/16	4	1.34	—	—	—	14mm

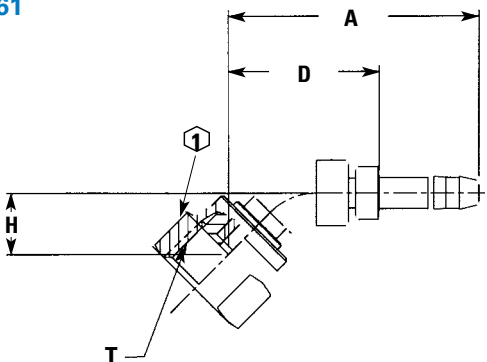
## GA23911



### Straight Female ORS

Part Number	TH'D "T"	Hose Size	A Ref	D Ref	F Ref	H Ref	① Ref
GA23911-4-4	9/16-18	4	1.86	1.19	—	—	17mm

## FJ3161

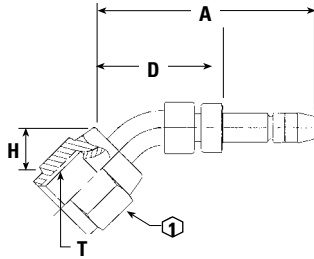


### 45° Female ORS

Part Number	TH'D "T"	Hose Size	A Ref	D Ref	F Ref	H Ref	① Ref
FJ3161-05-0404S	9/16-18	4	1.68	1.01	—	.41	.69

# E-Z Clip System™ - E-Z Clip Size 4\*\*

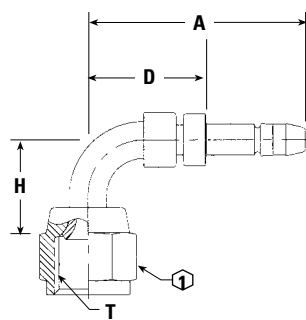
## FJ3059



### 45° Universal Swivel (SAE 37° or 45°)

Part Number	TH'D "T"	Hose Size	A Ref	D Ref	F Ref	H Ref	① Ref
FJ3059-0404S	7/16-20	4	1.57	0.91	—	0.33	0.56

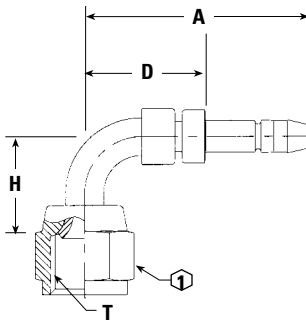
## FJ3149



### 90° Universal Swivel (SAE 37° or 45°)

Part Number	TH'D "T"	Hose Size	A Ref	D Ref	F Ref	H Ref	① Ref
FJ3149-0404S	7/16-20	4	2.47	0.8	—	0.68	0.56

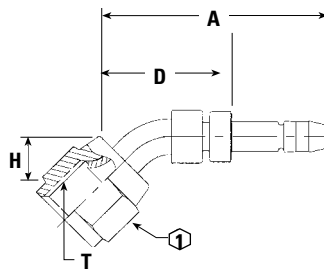
## EJ3533



### 90° Female JIC 37° Flare

Part Number	TH'D "T"	Hose Size	A Ref	D Ref	F Ref	H Ref	① Ref
EJ3533-01-0404S	7/16-20	4	2.09	1.42	—	1.21	0.56

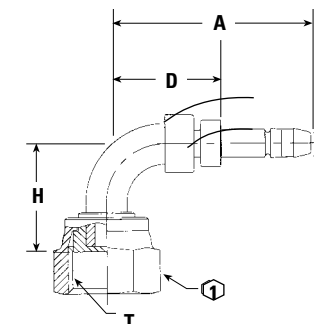
## EJ3544



### 45° Female JIC 37° Flare

Part Number	TH'D "T"	Hose Size	A Ref	D Ref	F Ref	H Ref	① Ref
EJ3544-0404S	7/16-20	4	2.37	1.70	—	0.63	0.56

## GA23913



### 90° ORS Swivel

Part Number	TH'D "T"	Hose Size	A Ref	D Ref	F Ref	H Ref	① Ref
GA23913-4-4	9/16-18	4	1.79	1.12	—	0.82	17mm

\*\* FC505 is qualified for the EZ Clip System in size 4 only.

# E-Z Clip System™ - Assembly Tools

## Pliers/Connecting Tool



Part Number	Description
FT1357	Connecting Tool
FT1421	Connecting Tool for #16 (replaces FT1417)

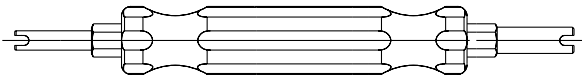


## Hose Cutter



Part Number	Description
FT1356	Hose Cutter
FT1356-2-1	Replacement Blade

## Core Tool



Part Number	Description
FT1406	Core Tool
FF90192-02	High Side Core*
FF90192-01	Low Side Core*
FF90193-02	High Side Cap
FF90193-01	Low Side Cap
FF9872-04	Cap for 7/16-20 Thd. port

\* For Aeroquip high flow charge ports only.



FF90192-02



FF90192-01



FF90193-02, FF90193-01



FF9872-04

# E-Z Clip Components - Ordering & Identifying



The E-Z Clip System is designed for assembly with Aeroquip GH134 multi-refrigerant hose. Its engineered connection exceeds SAE J2064 and has been vibration and impulse tested.

The benefits of E-Z Clip are virtually endless:

- No guess work
- No leaking crimps
- No power supply needed
- As easy to use as a pair of pliers
- Easy to use in confined areas

## Checklist

- Pliers (FT1357)
- Guillotine blade (FT1356) or equivalent cutting tool
- Refrigerant oil compatible with refrigeration or A/C system
- GH134 Multi-Refrigerant hose
- Nipple assembly\*
- Appropriately sized clips and cage

## \*NOTE:

The two black O-rings on the nipple assembly are of a specific rubber compound and size. They should NOT be removed or replaced.



## Assembly Materials

### E-Z Clip System Components Are Simple to Identify, Order and Use

#### Ordering Information

Hose	Nipple	Cage	Clips
GH134-6	FJ__-__06S	1F40105-06C	1F40104-06C
GH134-8	FJ__-__08S	1F40105-08C	1F40104-08C
GH134-10	FJ__-__10S	1F40105-10C	1F40104-10C
GH134-12	FJ__-__12S	1F40105-12C	1F40104-12C
GH134-16	FJ__-__16S	1F40105-16C	1F40104-16C

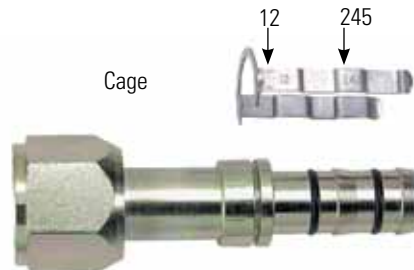
#### Identification Guide

Hose	Nipple	Cage	Nipple O-Rings (HNBR)
GH134-6	-6 and 150	150	1F40106-06
GH134-8	-8 and 175	175	1F40106-08
GH134-10	-10 and 200	200	1F40106-10
GH134-12	-12 and 245	245	1F40106-12
GH134-16	-16 and 285	285	1F40106-16

For Example...



Hose



Cage

Cage Groove



Clips

# E-Z Clip System™ - Assembly Instructions

## Step 1. Cut the Hose

Cut the hose to proper length with an appropriate cutting tool. Aeroquip's hand-held hose cutter (FT1356) has been specially designed for cutting all non-wire reinforced hose, such as GH134 Multi-Refrigerant hose. Be sure the cut is made square to the hose length.



## Step 2. Slip on Two Clips

Install two proper-sized clips onto the cut end of the hose. Orientation of the clips does not affect the performance of the connection. However, for ease of assembly, both clips should have the same orientation.

NOTE: Failure to slide the clips over the hose at this time will require the clips to be stretched over the hose or fitting later. This may permanently damage the clip.



## Step 3. Oil the Nipple

Lubricate the nipple with a generous amount of the refrigeration or A/C system's compressor lubricating oil. This MUST be done to lower the force of nipple insertion.



## Step 4. Insert the Nipple into the Hose

Insert the nipple into the hose. To ensure that the nipple is fully inserted, check the gap between the cut end of the hose and the shoulder on the nipple. Care should be taken to avoid kinking or other damage to the hose during nipple insertion.

NOTE: Be sure to wipe excess oil from the nipple and hose.



## Step 5. Snap on the Cage

Snap the cage into the groove on the nipple. The arms should extend over the hose length. When the cage has been correctly installed in the cage groove, the cage will be able to rotate in the groove. This step MUST be performed to ensure:

1. The clips will be located over the O-rings on the nipple.
2. The connection will be compatible with the connection's pressure rating.





# E-Z Clip System™ - Assembly Instructions (cont.)

## Step 6: Slide the Clips

Slide the clips over the cage arms and into the channels on each arm.

## Step 7: Close the Clips

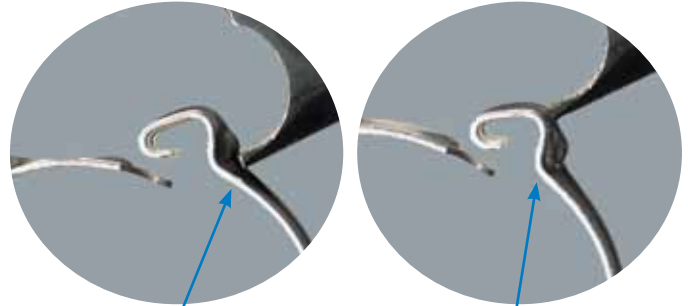
Use the FT1357 pliers to close the clips. The pliers should be positioned squarely on the clip connection points and should remain square during the closing of the clip.

Nose of the pliers should be firmly seated under the assembly bump and lock latch.

If the pliers are not kept square during closing of the clip, the clasp may have an offset. Use the pliers to correct the clasp alignment.



For easiest assembly, the clasp should be closed between the cage arms.

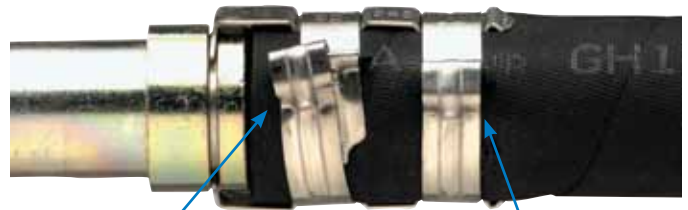


Correct

Incorrect

## Notice

E-Z Clip components should not be reused. For recommendations on cleaning and routing hose assemblies, please consult Aeroquip Assembly Bulletin JA776.



Incorrect

Correct



**CAUTION:** Failure to follow these assembly instructions and/or the use of Aeroquip hose with fittings supplied by other manufacturers may result in unreliable and unsafe hose assemblies, which may result in sudden or unintended escape of refrigerant gases. Personal injury and/or violations of EPA regulations may occur as a consequence.

Aeroquip recommends adherence to all guidelines, including EPA guidelines, concerning the service of refrigerant systems.

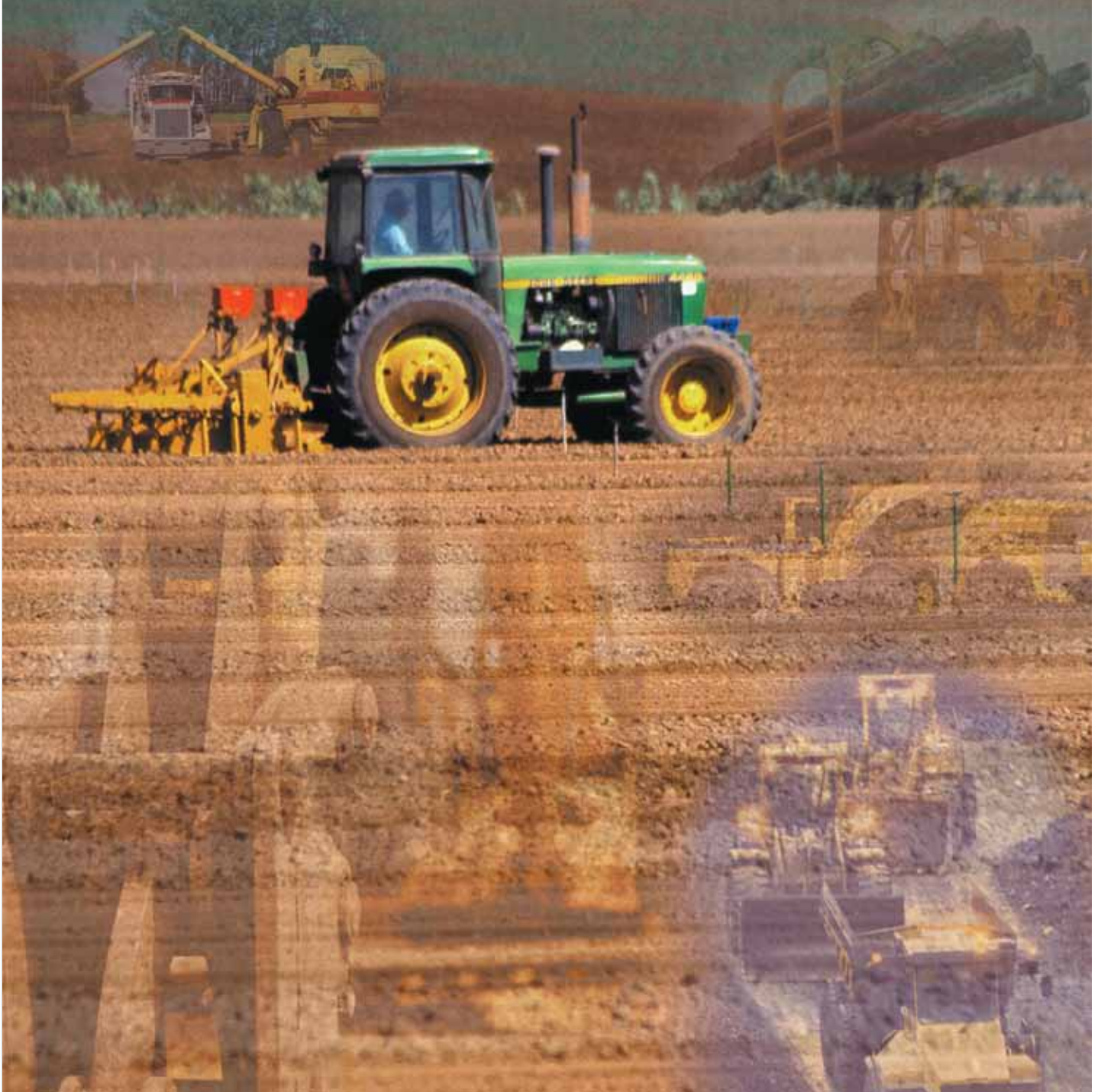
# E-Z Clip System™ - Fitting Kits

**NEW! Our most popular E-Z Clip Fittings are available, pre-packed, with the needed clips and cages for installation, in a single package.**

E-Z Clip Kit Part #	E-Z Clip Fitting #	Qty Per Kit	E-Z Clip, Cage & Clip Kit	Qty Per Kit
FF14176	FJ5984-0606S	1	FF14171	1
FF14177	FJ5984-0608S	1	FF14172	1
FF14178	FJ5984-0808S	1	FF14172	1
FF14179	FJ5984-0810S	1	FF14173	1
FF14180	FJ5984-1010S	1	FF14173	1
FF14181	FJ5984-1012S	1	FF14174	1
FF14182	FJ5984-1212S	1	FF14174	1
FF14183	FJ3055-01-0606S	1	FF14171	1
FF14184	FJ3055-03-0808S	1	FF14172	1
FF14185	FJ3055-05-1010S	1	FF14173	1
FF14186	FJ3055-07-1212S	1	FF14174	1
FF14187	FJ5985-0606S	1	FF14171	1
FF14188	FJ5985-0608S	1	FF14172	1
FF14189	FJ5985-0808S	1	FF14172	1
FF14190	FJ5985-0810S	1	FF14173	1
FF14191	FJ5985-1010S	1	FF14173	1
FF14192	FJ5985-1012S	1	FF14174	1
FF14193	FJ5985-1212S	1	FF14174	1
FF14194	FJ3012-02-1010S	1	FF14173	1
FF14195	FJ3012-01-1012S	1	FF14174	1
FF14196	FJ3012-03-1212S	1	FF14174	1
FF14197	FJ3052-0606S	1	FF14171	1
FF14198	FJ3052-0608S	1	FF14172	1
FF14199	FJ3052-0808S	1	FF14172	1
FF14200	FJ3052-1010S	1	FF14173	1
FF14201	FJ3052-1012S	1	FF14174	1
FF14202	FJ3052-1212S	1	FF14174	1
FF14203	FJ3019-03-0606S	1	FF14171	1
FF14204	FJ3019-02-0608S	1	FF14172	1
FF14205	FJ3019-04-0808S	1	FF14172	1
FF14206	FJ3019-06-0810S	1	FF14173	1
FF14207	FJ3019-01-1012S	1	FF14174	1
FF14208	FJ3019-05-1212S	1	FF14174	1
FF14209	FJ3019-07-1010S	1	FF14173	1
FF14210	FF12262-0606	1	FF14171	1
FF14211	FF12262-0808	1	FF14172	1
FF14212	FF12262-1010	1	FF14173	1
FF14213	FF12262-1012	1	FF14174	1
FF14214	FJ3116-03-0808S	1	FF14172	1
FF14215	FJ3116-01-0606S	1	FF14171	1
FF14216	FJ3116-02-1010S	1	FF14173	1
FF14217	FJ3513-0606S	1	FF14171	1
FF14218	FJ3513-0808S	1	FF14172	1
FF14219	FJ3513-1010S	1	FF14173	1
FF14220	FJ3514-0606S	1	FF14171	1
FF14221	FJ3514-0808S	1	FF14172	1
FF14222	FJ3514-1010S	1	FF14173	1
FF14223	FJ3514-1012S	1	FF14174	1
FF14224	FJ3054-1010S	1	FF14173	1
FF14225	FJ3054-1012S	1	FF14174	1
FF14226	FJ3053-0808S	1	FF14172	1
FF14227	FJ3289-03-0606S	1	FF14171	1
FF14228	FJ3289-01-0808S	1	FF14172	1
FF14229	FJ3289-05-1012S	1	FF14174	1
FF14230	FJ3171-0606S	1	FF13819	1
FF14231	FJ3171-0808S	1	FF13820	1
FF14232	FJ3171-1010S	1	FF13821	1

E-Z Clip Kit Part #	E-Z Clip Fitting #	Qty Per Kit	E-Z Clip, Cage & Clip Kit	Qty Per Kit
FF14233	FJ3171-1212S	1	FF13822	1
FF14234	FJ3132-02-1012S	1	FF14174	1
FF14235	FJ3131-02-0808S	1	FF14172	1
FF14236	FJ3134-02-0808S	1	FF14172	1
FF14237	FJ3135-02-1012S	1	FF14174	1
FF14238	FJ3058-01-0606S	1	FF14171	1
FF14239	FJ3058-02-0808S	1	FF14172	1
FF14240	FJ3058-03-1010S	1	FF14173	1
FF14241	FJ3057-01-0606S	1	FF14171	1
FF14242	FJ3057-03-0808S	1	FF14172	1
FF14243	FJ3057-05-1010S	1	FF14173	1
FF14244	FJ3057-07-1212S	1	FF14174	1
FF14245	FJ5994-01-0606S	1	FF14171	1
FF14246	FJ5994-02-0808S	1	FF14172	1
FF14247	FJ5994-04-1010S	1	FF14173	1
FF14248	FJ5994-03-1212S	1	FF14174	1
FF14249	FJ5994-05-1012S	1	FF14174	1
FF14250	FJ3045-0606S	1	FF14171	1
FF14251	FJ3045-0808S	1	FF14172	1
FF14252	FJ3045-1010S	1	FF14173	1
FF14253	FJ3045-1212S	1	FF14174	1
FF14254	FJ3058-04-1212S	1	FF14174	1
FF14255	FJ5986-1010S	1	FF13821	1
FF14256	FJ5986-1212S	1	FF13822	1
FF14257	FJ5995-0606S	1	FF13819	1
FF14258	FJ5995-0808S	1	FF13820	1
FF14259	FJ5995-1010S	1	FF13821	1
FF14260	FJ3013-02-0606S	1	FF14171	1
FF14261	FJ3013-03-0808S	1	FF14172	1
FF14262	FJ3013-01-0810S	1	FF14173	1
FF14263	FJ3977-0806S	1	FF14171	1
FF14264	FJ3977-0810S	1	FF14173	1
FF14265	FJ3977-1012S	1	FF14174	1
FF14266	FJ3978-1012S	1	FF14174	1
FF14267	FJ3979-1012S	1	FF14174	1
FF14268	FJ3980-0810S	1	FF14173	1
FF14269	FJ3981-1012S	1	FF14174	1
FF14270	FJ3982-0806S	1	FF14171	1
FF14271	FJ3982-0810S	1	FF14173	1
FF14272	FJ3983-0806S	1	FF14171	1
FF14369	EJ3320-1008S	1	FF14172	1
FF14370	EJ3320-1012S	1	FF14174	1
FF14371	EJ3321-1008S	1	FF14172	1
FF14372	EJ3321-1012S	1	FF14174	1
FF14373	FJ3225-1008S	1	FF14172	1
FF14374	FJ3225-1012S	1	FF14174	1
FF14375	FJ3225-1010S	1	FF14173	1
FF14376	FJ3274-1010S	1	FF14173	1
FF14377	FJ3510-1012S	1	FF14174	1
FF14378	FJ3511-1010S	1	FF14173	1
FF14379	FJ3226-1010S	1	FF14173	1
FF14380	FJ5984-1210S	1	FF14173	1
FF14381	FJ3289-02-1010S	1	FF14173	1
FF14382	FJ3149-01-0606S	1	FF14171	1
FF14383	FJ3149-03-0808S	1	FF14172	1
FF14384	FJ3149-04-1010S	1	FF14173	1

# Reusable Fitting Program



# Reusable Fitting Program - Hose Selection Guide and Design Guidelines

For information regarding other refrigerants and lubricants, please contact Eaton, 952-937-9800.

## Refrigerant Compatibility Chart

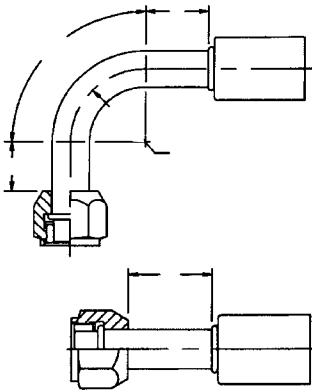
Refrigerant	Hose Style			
	FC802	FC505	FC558	GH134
R-12	Y	Y	N	Y
R-22	Y	Y	N	Y
R-134a	Y	Y	Y	Y

## Lubricant Compatibility Chart

Lubricant	Hose Style			
	FC802	FC505	FC558	GH134
Mineral Oil	Y	Y	N	Y
PAG	Y	Y	Y	Y
Ester Oil	Y	Y	Y	Y
Alkylbenzene	Y	Y	N	Y

Y = Compatible      N = Non-compatible

## Consult Eaton on fittings with more than one bend.



Tube Size	L. Minimum	Size	Tubing Style	Wall Thickness	Tangent Length	Tolerance
-6	1.1	-6	SAE J526	0.04	$0 > 12 \leq$	$\pm 0.031$
-8	1.62	-8	SAE J526	0.04	$12 \leq > 36 \leq$	$\pm 0.047$
-10	1.62	-10	SAE J525	0.05	$36 \leq > 72 \leq$	$\pm 0.062$
-1012	1.62	-1012	SAE J525	0.05	$72 \leq >$	$\pm 0.125$
-12	1.38	-12	SAE J525	0.049		

$$L = A + B + C$$

$$A = .500 \text{ Minimum}$$

$$B = .250 \text{ Minimum}$$

$$C = .01745 \times R \times \text{Bend Angle}$$

$$R = 2 \times \text{O.D. of Tube Minimum}$$

$$\text{Bend Angle Tolerance } \pm .30^\circ$$

$$\text{Rotation Angle Tolerance } \pm 1^\circ$$

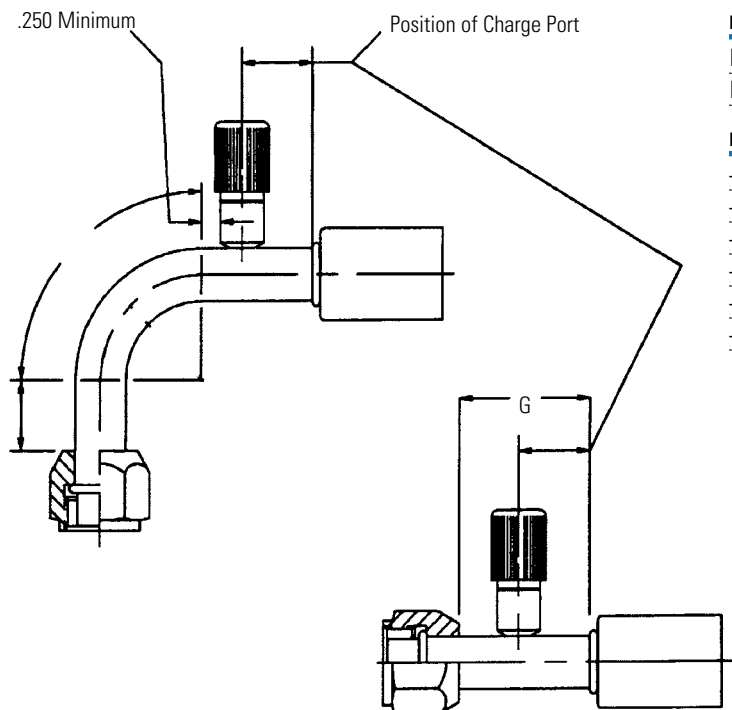
All Dimensions Are In Inches

## Position of Charge Port

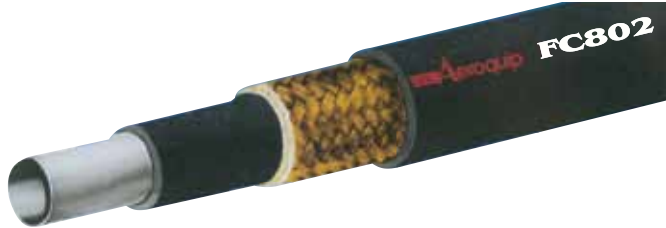
High Side	.940 Minimum
Low Side	.881 Minimum

## Dash Size

Dash Size	G
-6	1.54 Minimum
-8	1.63 Minimum
-10 High Side	1.69 Minimum
-10 Low Side	1.62 Minimum
-1012	1.62 Minimum
-12	1.70 Minimum



# Reusable Fitting Program - FC802/FC558



## Maximum Operating Pressure (bar/psi)

- 35/500

## Minimum Burst Pressure (bar/psi)

- 175/2500

## Temperature Range

- -40°F to +250°F (-40°C to +121°C)

## HFC 134a Effusion

- .25 lbs./ft<sup>2</sup>/yr. at 176°F (1.21 kg/m<sup>2</sup>/yr. at 80°C)

## Moisture Ingression

- .08 gm./in.<sup>2</sup>/yr. (.013/cm<sup>2</sup>/yr.)

## Fittings

- SAE 100R5

## R-12 Effusion

- 1.25 lbs./ft<sup>2</sup>/yr. at 176°F (6.07 kg/m<sup>2</sup>/yr. at 80°C)

## R-401B Effusion

- 2.86 lbs./ft<sup>2</sup>/yr. at 176°F (13.88 kg/m<sup>2</sup>/yr. at 80°C)

## R-22 Effusion

- 18.04 lbs./ft<sup>2</sup>/yr. at 176°F (87.55 kg/m<sup>2</sup>/yr. at 80°C)




## Features

- Bromobutyl cover
- Polyamide-veneer tube
- Synthetic braid reinforcement
- Synthetic rubber backing layer
- SAE 100R5 reusable fittings

## Benefits

- Excellent flexibility and heat resistance
- Maximum effusion resistance
- Superior resistance to moisture ingress
- Excellent noise and kink resistance
- Field attachable fittings
- Ease of installation and routing

## Specifications and Performance (SAE J51 Type D)

Part Number	Hose I.D.	Hose O.D.	Minimum Bend Radius
			
	mm/inches	mm/inches	mm/inches
FC802-04	5.1/.20	13.2/.52	50.8/2.0
FC802-06	8.38/.33	17.3/.68	63.5/2.5
FC802-08	10.67/.42	19.6/.77	76.2/3.0
FC802-10	13.2/.52	23.4/.92	88.9/3.5
FC802-12	16.51/.65	27.4/1.08	114.3/4.5



- Abrasion Resistant Polyester Braid Cover
- Synthetic Rubber Insulation Layer
- High Tensile Carbon Steel
- Butyl Rubber Tube

## Features

- Butyl rubber tube
- High tensile steel wire reinforcement
- Synthetic rubber insulation layer
- Polyester braid cover
- SAE 100R5 reusable fittings

## Benefits

- Excellent effusion resistance
- Extended service life
- Maximum resistance to moisture ingress
- Superior abrasion resistance
- Field attachable fittings

## Maximum Operating Pressure (bar/psi)

- 35/500

## Minimum Burst Pressure (bar/psi)

- 175/2500

## Temperature Range

- -40°F to +250°F (-40°C to +121°C)

## R-134a Effusion

- 5.5 lbs./ft<sup>2</sup>/yr. at 176°F




## Moisture Ingression

- .08 gm./in.<sup>2</sup>/yr.

## Fittings

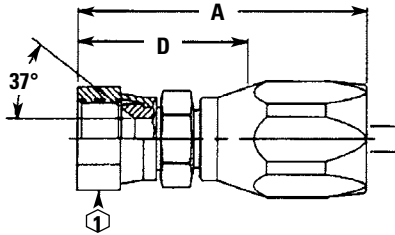
- Standard Aeroquip SAE 100R5 reusable fittings

## Specifications and Performance (Meets or Exceeds SAE J2064 Type B; for R-134a Refrigerant Only)

Part Number	Hose I.D.	Hose O.D.	Minimum Bend Radius
			
	mm/inches	mm/inches	mm/inches
FC558-10	12.7/.50	23.4/.92	139/5.50
FC558-12	15.9/.62	26.9/1.06	165/6.50
FC558-16	22.2/.88	31.5/1.24	187/7.38
FC558-20	28.6/1.12	38.4/1.51	229/9.00
FC558-24	34.9/1.38	44.5/1.75	267/10.50

# Reusable Fitting Program - FC802/FC558

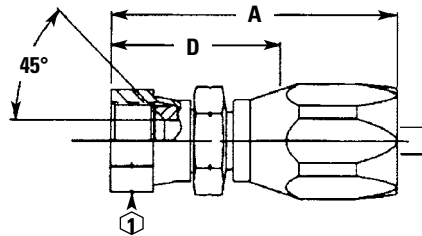
4411



## S.A.E. 37° (J.I.C.) Swivel

Part Number	TH'D "T"	Hose Size	A Ref	D Ref	F Ref	H Ref	① Ref
4411-4S	7/16-20	4	1.97	1.23	—	—	0.69
4411-6S	9/16-18	6	2.33	1.43	—	—	0.69
4411-8S	3/4-16	8	2.78	1.62	—	—	0.88
4411-10S	7/8-14	10	3.10	1.81	—	—	1.00
4411-10-12S	7/8-14	12	3.40	1.83	—	—	1.00
4411-12S	1-1/16-12	12	3.49	1.92	—	—	1.25
4411-16S	1-5/16-12	16	3.19	1.93	—	—	1.50
4411-20S	1-5/8-12	20	3.43	2.07	—	—	2.00
4411-24S	1-7/8-12	24	3.68	2.22	—	—	2.25

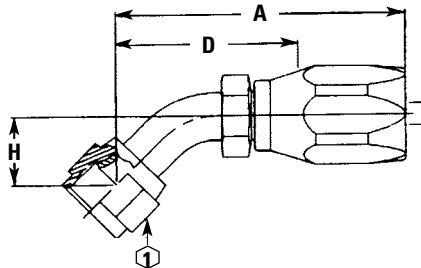
4401



## S.A.E. 45° Swivel

Part Number	TH'D "T"	Hose Size	A Ref	D Ref	F Ref	H Ref	① Ref
4401-4S	7/16-20	4	1.97	1.22	—	—	0.56
4401-6S	5/8-18	6	2.36	1.46	—	—	0.75
4401-8S	3/4-16	8	2.78	1.62	—	—	0.88
4401-10S	7/8-14	10	3.10	1.81	—	—	1.00
4401-12S	1-1/16-14	12	3.49	1.92	—	—	1.25

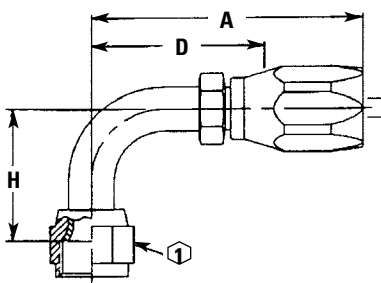
190297  
190299  
190265



## 45° Elbow 190297 Universal Swivel, 190299 S.A.E. 45° Swivel 190265 S.A.E. 37° Swivel

Part Number	TH'D "T"	Hose Size	A Ref	D Ref	F Ref	H Ref	① Ref
190297-4S	7/16-20	4	1.85	1.10	—	0.33	0.56
190297-8S	3/4-16	8	2.99	1.84	—	0.55	0.88
190297-10S	7/8-14	10	3.24	1.95	—	0.64	1.00
190299-6S	5/8-18	6	2.23	1.33	—	0.39	0.75
190299-12S	1-1/16-14	12	3.78	2.21	—	0.78	1.25
190265-6S	9/16-18	6	2.23	1.33	—	0.39	0.69
190265-12S	1-1/16-12	12	3.78	2.21	—	0.78	1.25
190265-16S	1-5/16-12	16	3.74	2.47	—	1.07	1.50
190265-20S	1-5/8-12	20	4.21	2.85	—	1.22	2.00

190296  
190302  
190261

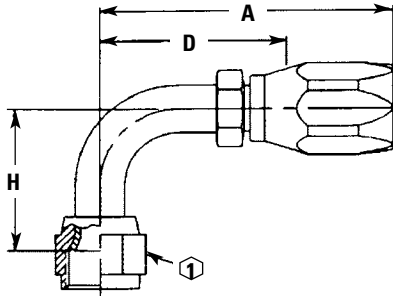


## 90° Elbow 190296 Universal Swivel (Short Drop), 190302 S.A.E. 45° Swivel 190261 S.A.E. 37° Swivel

Part Number	TH'D "T"	Hose Size	A Ref	D Ref	F Ref	H Ref	① Ref
190296-4S	7/16-20	4	1.74	0.99	—	0.68	0.56
190296-8S	3/4-16	8	2.76	1.61	—	1.09	0.88
190296-10S	7/8-14	10	2.94	1.65	—	1.23	1.00
190302-6S	5/8-18	6	2.13	1.23	—	0.85	0.75
190302-12S	1-1/16-14	12	3.74	2.17	—	1.82	1.25
190261-6S	9/16-18	6	2.13	1.23	—	0.85	0.69
190261-12S	1-1/16-12	12	3.74	2.17	—	1.82	1.25
190261-16S	1-5/16-12	16	3.55	2.28	—	2.39	1.50
190261-20S	1-5/8-12	20	4.02	2.65	—	2.75	2.00
190261-20-24S	1-5/8-12	24	4.11	2.66	—	2.75	2.00

# Reusable Fitting Program - FC802/FC558

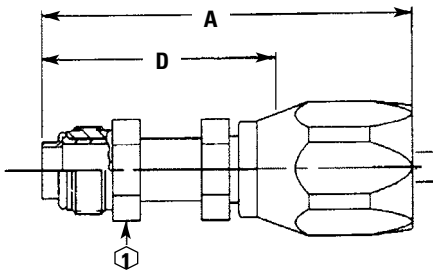
190295  
190301  
190260



## 90° Elbow 190295 Universal Swivel (Long Drop), 190301 S.A.E. 45° Swivel 190260 S.A.E. 37° Swivel

Part Number	TH'D "T"	Hose Size	A Ref	D Ref	H Ref	① Ref
190295-4S	7/16-20	4	1.74	0.99	1.80	0.56
190295-8S	3/4-16	8	2.76	1.73	2.43	0.88
190295-10S	7/8-14	10	2.94	1.90	2.57	1.00
190295-10-12S	7/8-14	12	3.49	1.92	2.57	1.00
190301-6S	5/8-18	6	2.13	1.23	2.18	0.75
190301-12S	1-1/16-14	12	3.74	2.17	3.73	1.25
190260-6S	9/16-18	6	2.13	1.23	2.18	0.69
190260-12S	1-1/16-12	12	3.74	2.17	3.73	1.25
190260-16S	1-5/16-12	16	3.55	2.28	4.58	1.50
190260-20S	1-5/8-12	20	4.02	2.65	5.53	2.00

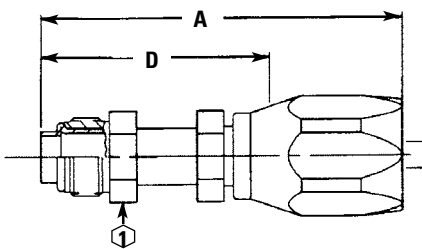
FJ7646



## Male O-ring Pilot (Short)

Part Number	TH'D "T"	Hose Size	A Ref	D Ref	F Ref	H Ref	① Ref
FC7646-0606S	5/8-18	6	3.03	2.13	—	—	0.62
FC7646-0808S	3/4-18	8	3.43	2.28	—	—	0.75
FC7646-1010S	7/8-18	10	3.85	2.56	—	—	0.88

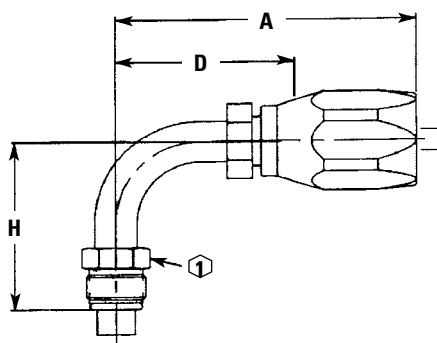
FC7049



## Male O-ring Pilot (Long)

Part Number	TH'D "T"	Hose Size	A Ref	D Ref	F Ref	H Ref	① Ref
FC7049-0606S	5/8-18	6	3.03	2.13	—	—	0.62
FC7049-0808S	3/4-18	8	3.63	2.48	—	—	0.75
FC7049-1010S	7/8-18	10	3.85	2.56	—	—	0.88

FC7662

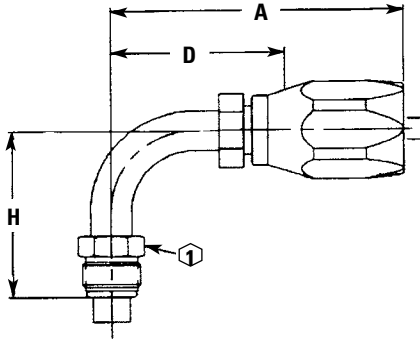


## 90° Male O-ring Pilot (Short)

Part Number	TH'D "T"	Hose Size	A Ref	D Ref	F Ref	H Ref	① Ref
FC7662-0606S	5/8-18	6	2.47	1.57	—	1.77	0.62
FC7662-1010S	7/8-18	10	3.28	1.99	—	2.07	0.88
FC7662-1012S	7/8-18	12	3.57	2.00	—	2.07	1.06

# Reusable Fitting Program - FC802/FC558

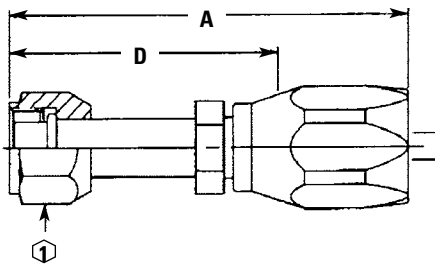
## FC7474



### 90° Male O-ring Pilot (Long)

Part Number	TH'D "T"	Hose Size	A Ref	D Ref	F Ref	H Ref	① Ref
FC7474-0606S	5/8-18	6	2.72	1.82	—	2.02	0.62
FC7474-0808S	3/4-18	8	3.13	1.98	—	2.62	0.75
FC7474-1010S	7/8-18	10	3.28	1.99	—	2.45	0.88
FC7474-1012S	7/8-18	12	3.58	2.01	—	2.45	0.88

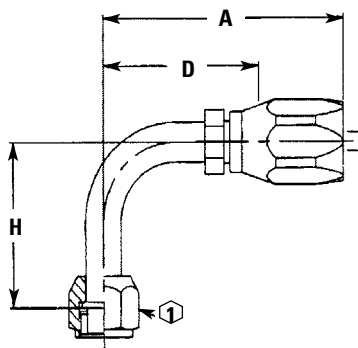
## FC7049



### Female O-ring Pilot (Long)

Part Number	TH'D "T"	Hose Size	A Ref	D Ref	F Ref	H Ref	① Ref
FC7048-0606S	5/8-18	6	2.67	1.77	—	—	0.75
FC7048-0808S	3/4-16	8	3.27	2.12	—	—	0.88
FC7048-1010S	7/8-14	10	3.61	2.32	—	—	1.06
FC7048-1212S	1-1/16-14	12	4.00	2.44	—	—	1.25

## FC7573



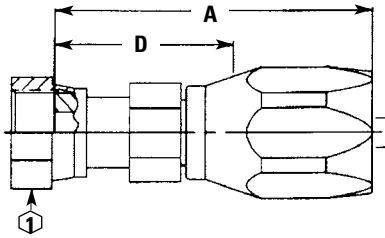
### 90° Female O-ring Pilot (Long)

Part Number	TH'D "T"	Hose Size	A Ref	D Ref	F Ref	H Ref	① Ref
FC7573-0606S	5/8-18	6	2.72	1.82	—	1.17	0.75
FC7573-0808S	3/4-16	8	3.50	2.35	—	1.24	0.88
FC7573-1010S	7/8-14	10	4.22	2.93	—	1.50	1.06
FC7573-1210S	1-1/16-14	10	4.69	3.40	—	1.99	1.25
FC7573-1212S	1-1/16-14	12	4.99	3.42	—	1.99	1.25



# Reusable Fitting Program - FC802/FC558

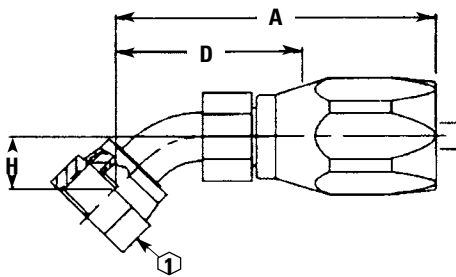
## FJ9706



### ORS Female Swivel

Part Number	TH'D "T"	Hose Size	A Ref	D Ref	F Ref	H Ref	① Ref
FJ9706-0404S	9/16-18	4	2.09	1.34	—	—	0.69
FJ9706-0606S	11/16-16	6	2.43	1.53	—	—	0.81
FJ9706-0808S	13/16-16	8	3.13	1.98	—	—	0.94
FJ9706-1010S	1-14	10	3.37	2.08	—	—	1.12
FJ9706-1212S	1-3/16-12	12	3.68	2.11	—	—	1.38
FJ9706-1616S	1-7/16-12	16	3.50	2.23	—	—	1.62
FJ9706-2020S	1-11/16-12	20	3.64	2.28	—	—	1.88
FJ9706-2424S	2-12	24	3.86	2.40	—	—	2.25

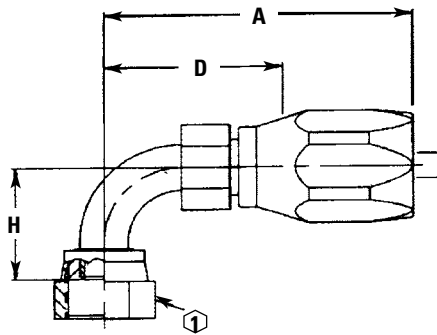
## FJ9707



### 45° ORS Female Swivel

Part Number	TH'D "T"	Hose Size	A Ref	D Ref	F Ref	H Ref	① Ref
FJ9707-0404S	9/16-18	4	1.96	1.21	—	0.41	0.69
FJ9707-0606S	11/16-16	6	2.27	1.37	—	0.43	0.81
FJ9707-0808S	13/16-16	8	3.03	1.88	—	0.59	0.94
FJ9707-1010S	1-14	10	3.38	2.08	—	0.65	1.12
FJ9707-1212S	1-3/16-12	12	3.84	2.27	—	0.83	1.38
FJ9707-1616S	1-7/16-12	16	3.62	2.35	—	0.94	1.62
FJ9707-2020S	1-11/16-12	20	4.09	2.72	—	1.00	1.88
FJ9707-2424S	2-12	24	4.32	2.87	—	1.07	2.25

## FJ9708



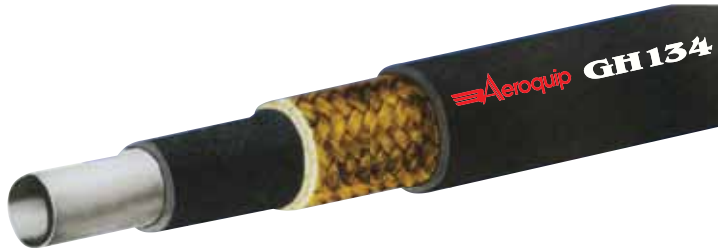
### 90° ORS Female Swivel

Part Number	TH'D "T"	Hose Size	A Ref	D Ref	F Ref	H Ref	① Ref
FJ9708-0404S	9/16-18	4	1.80	1.05	—	0.82	0.69
FJ9708-0606S	11/16-16	6	2.13	1.23	—	0.90	0.81
FJ9708-0808S	13/16-16	8	2.76	1.61	—	1.15	0.94
FJ9708-1010S	1-14	10	3.03	1.74	—	1.27	1.12
FJ9708-1212S	1-3/16-12	12	3.74	2.17	—	1.88	1.38
FJ9708-1616S	1-7/16-12	16	3.55	2.28	—	2.21	1.62
FJ9708-2020S	1-11/16-12	20	4.02	2.65	—	2.51	1.88
FJ9708-2424S	2-12	24	4.42	2.97	—	2.70	2.25

# Factory Crimp Program



# Factory Crimp Program - GH134



## Features

- Internal polyamide veneer
- Synthetic rubber backing layer
- Stabilized synthetic braided reinforcement
- Specially formulated synthetic rubber cover
- Roll-formed fittings

## Benefits

- Excellent effusion resistance
- Maximum resistance to moisture ingress and superior flexibility
- Extended service performance
- Excellent resistance to oil and abrasion
- Assured coupling integrity

## Maximum Operating Pressure (bar/psi)

- 35/500

## Minimum Burst Pressure (bar/psi)

- 175/2500

## Temperature Range

- -40°F to +275°F  
(-40°C to +135°C)

## R-134a Effusion

- .50 lbs./ft<sup>2</sup>/yr. at 176°F

## Moisture Ingression

- .08 gm./in.<sup>2</sup>/yr.

## Specifications and Performance (Meets or Exceeds SAE J2064 Type E; for R-134a Refrigerant Only)

Part Number	Hose I.D. mm/inches	Hose O.D. mm/inches	Minimum Bend Radius mm/inches
GH134-6	7.9/.31	14.7/.58	50.0/2.0
GH134-8	10.3/.41	17.8/.70	63.5/2.5
GH134-10	12.7/.50	19.8/.78	76.2/3.0
GH134-12	15.9/.62	24.9/.98	101.6/4.0
GH134-16	22.4/.88	31.2/1.23	127/7.0



All factory crimp fittings are double O-ring formed nipple design and offer assured sealing.

## Features

•GH134 assemblies are factory crimped.\* The Eaton double o-ring 2 piece fitting design is simply the best in the industry for containing refrigerant at the hose fitting connection.

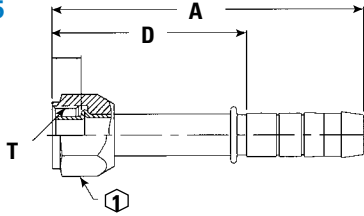
\* Distributor certification program is available.

## Eaton Double O-ring A/C Crimp Fittings are a 2-piece Design

Socket Part Number	Hose Size	Socket Material
GH23246-4	4	Steel
GH23246-6	6	Steel
GH23246-8	8	Steel
GH23246-10	10	Steel
GH23246-12	12	Steel
GH23246-16	16	Steel
GH23246-16D	16	Aluminum

# Factory Crimp Program - Fittings

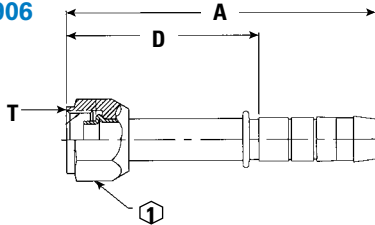
## FJ4905



### Female O-ring (Long Pilot)

Part Number	TH'D "T"	Hose Size	A Ref	D Ref	F Ref	H Ref	① Ref
FJ4905-07-0606S	5/8-18	6	2.98	1.94	—	—	0.75
FJ4905-02-0606S	5/8-18	6	4.08	3.04	—	—	0.75
FJ4905-04-0606S	5/8-18	6	2.85	1.82	—	—	0.75
FJ4905-01-0808S	3/4-16	8	4.21	3.07	—	—	0.88
FJ4905-08-0808S	3/4-16	8	3.72	2.58	—	—	0.88
FJ4905-10-0808S	3/4-16	8	2.50	1.38	—	—	0.88
FJ4905-09-0810S	7/8-14	10	4.14	2.62	—	—	0.88
FJ4905-05-1010S	7/8-14	10	4.33	2.81	—	—	1.06
FJ4905-03-1012S	1-1/16-14	12	4.69	2.93	—	—	1.06
FJ4905-09-1212S	1-1/16-14	12	4.99	3.22	—	—	1.25

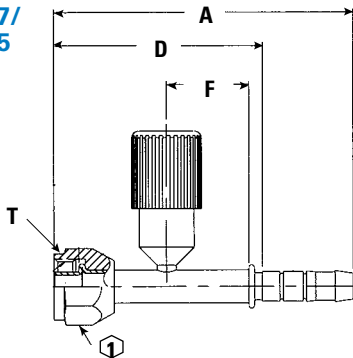
## FJ4906



### Female O-ring (Short Pilot)

Part Number	TH'D "T"	Hose Size	A Ref	D Ref	F Ref	H Ref	① Ref
FJ4906-03-0606S	5/8-18	6	3.00	1.95	—	—	0.75
FJ4906-04-0808S	3/4-16	8	3.59	2.46	—	—	0.88
FJ4906-05-1010S	7/8-14	10	4.27	2.75	—	—	1.06
FJ4906-01-1012S	7/8-14	12	4.66	2.90	—	—	1.06
FJ4906-06-1212S	1-1/16-14	12	5.19	3.43	—	—	1.25
FJ4906-06-0606S	5/8-18	6	2.49	1.45	—	—	0.75
FJ4906-07-0806S	3/4-16	6	3.16	2.11	—	—	0.88

## FJ4917/ FJ2815

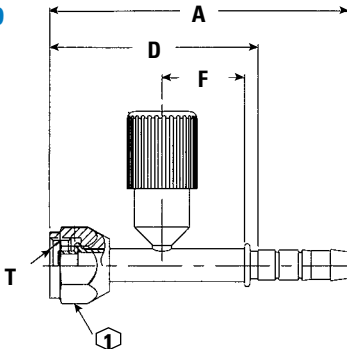


### Female O-ring (Long Pilot) with High Side Charge Port

Part Number	TH'D "T"	Hose Size	A Ref	D Ref	F Ref	H Ref	① Ref
FJ4917-01-0606S*	5/8-18	6	3.43	2.39	0.94	—	0.75
FJ4917-02-0808S*	3/4-16	8	3.74	2.60	0.94	—	0.88
FJ4917-03-1010S*	7/8-14	10	4.00	2.88	0.94	—	1.06
FJ2815-01-0606S*	M18 x 1.5	6	4.62	3.58	0.94	—	0.88

\* MTO (made to order)

## FJ4919



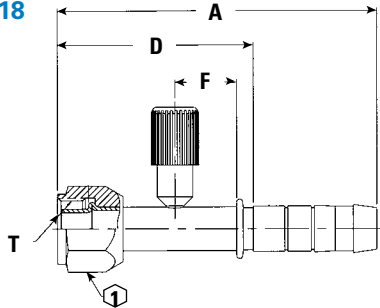
### Female O-ring (Short Pilot) with High Side Charge Port

Part Number	TH'D "T"	Hose Size	A Ref	D Ref	F Ref	H Ref	① Ref
FJ4919-01-0606S*	5/8-18	6	3.42	2.38	0.94	—	0.75
FJ4919-02-0808S	3/4-16	8	3.73	2.14	1.12	—	0.88
FJ4919-03-1212S*	1-1/16-14	12	4.00*	2.88	0.94	—	1.25

\* MTO (made to order)

# Factory Crimp Program - Fittings

## FJ4918

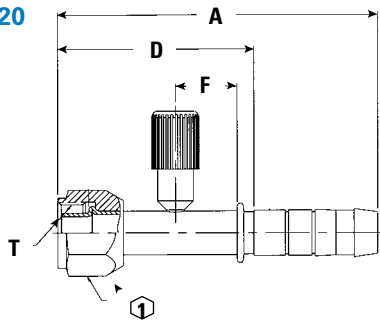


### Female O-ring (Long Pilot) with Low Side Charge Port

Part Number	TH'D "T"	Hose Size	A Ref	D Ref	F Ref	H Ref	① Ref
FJ4918-01-1010S*	7/8-14	10	4.33	2.81	0.88	—	0.88
FJ4918-02-1012S	7/8-14	12	4.57	2.80	0.88	—	0.88
FJ4918-03-1212S*	1-1/16-14	12	4.21	3.09	0.88	—	1.06

\* MTO (made to order)

## FJ4920

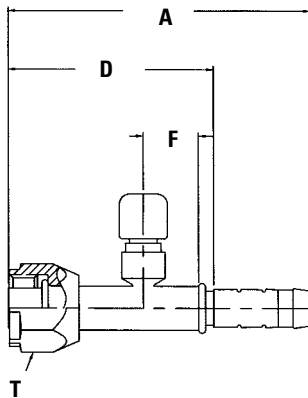


### Female O-ring (Short Pilot) with Low Side Charge Port

Part Number	TH'D "T"	Hose Size	A Ref	D Ref	F Ref	H Ref	① Ref
FJ4920-01-1010S	7/8-14	10	4.83	3.31	0.88	—	1.06
FJ4920-02-1012S*	7/8-14	12	3.93	2.81	0.88	—	1.06
FJ4920-03-1212S*	1-1/16-14	12	4.19	3.07	0.88	—	1.25

\* MTO (made to order)

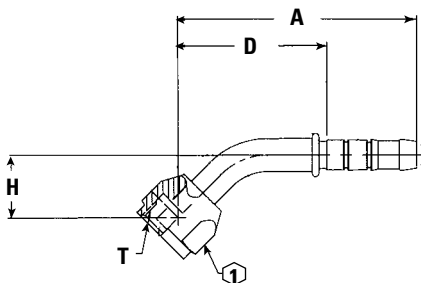
## FJ2748/ FJ2822/ FJ2863



### Straight Female O-ring, (Long Pilot) with Switch Port

Part Number	TH'D "T"	Hose Size	A Ref	D Ref	F Ref	H Ref	① Ref
FJ2748-0808S	3/4-16	8	5.17	—	0.87	—	7/16-20
FJ2822-01-0808S	3/4-16	8	3.49	2.37	0.63	—	M10 x 1.25
FJ2863-01-0810S	3/4-16	10	4.51	12.99	0.63	—	M10 x 1.25

## FJ2463

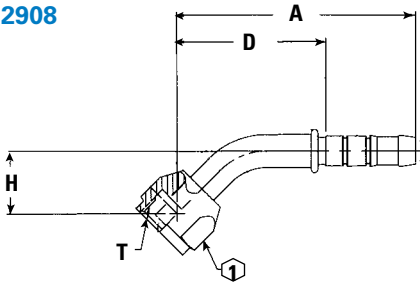


### 45° Female O-ring (Short Pilot)

Part Number	TH'D "T"	Hose Size	A Ref	D Ref	F Ref	H Ref	① Ref
FJ2463-01-0606S	5/8-18	6	2.74	1.70	—	0.71	0.75
FJ2463-04-1010S	7/8-14	10	3.92	2.40	—	1.19	1.06
FJ2463-02-0808S	3/4-16	8	3.07	1.93	—	0.87	0.88
FJ2463-03-1010S	7/8-14	10	4.22	2.48	—	1.12	1.06

# Factory Crimp Program - Fittings

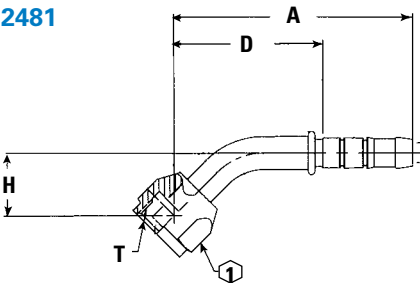
## FJ2908



### 45° Female O-ring (Long Pilot)

Part Number	TH'D "T"	Hose Size	A Ref	D Ref	F Ref	H Ref	⊕ Ref
FJ2908-02-0808S	3/4-16	8	3.07	1.93	0.87	—	0.88

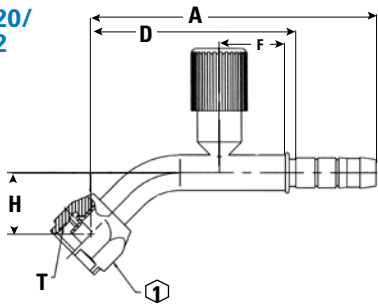
## FJ2481



### 45° Female O-ring (Long Pilot)

Part Number	TH'D "T"	Hose Size	A Ref	D Ref	F Ref	H Ref	⊕ Ref
FJ2481-1212S	1 1/16-14	12	2.75	—	—	1.02	1.25

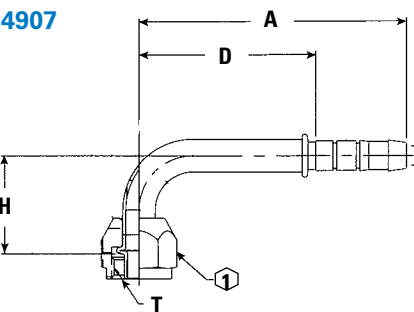
## FJ2220/ FJ222



### 45° Female O-ring (Short Pilot) with Charge Port

Part Number	TH'D "T"	Hose Size	A Ref	D Ref	F Ref	H Ref	⊕ Ref
FJ2220-01-0808S	3/4-16	8	4.08	2.94	0.94	0.87	High
FJ2221-01-1010S	7/8-14	10	4.79	3.27	0.88	1.19	Low

## FJ4907



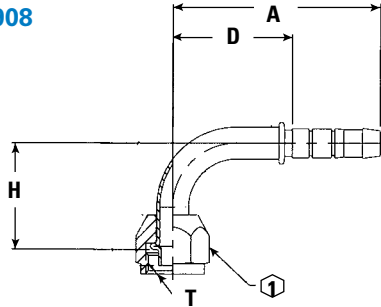
### 90° O-ring (Long Pilot)

Part Number	TH'D "T"	Hose Size	A Ref	D Ref	F Ref	H Ref	⊕ Ref
FJ4907-02-0606S	5/8-18	6	3.06	2.03	—	1.25	0.75
FJ4907-04-0606S	5/8-18	6	2.78	1.75	—	1.38	0.75
FJ4907-09-0606S	5/8-18	6	3.10	2.07	—	2.40	0.75
FJ4907-03-0808S	3/4-16	8	2.79	1.65	—	1.62	0.88
FJ4907-11-0808S	3/4-16	8	2.79	1.65	—	2.95	0.88
FJ4907-07-1010S	7/8-14	10	3.46	1.93	—	1.89	1.06
FJ4907-05-1012S	7/8-14	12	3.75	1.99	—	1.80	1.06
FJ4907-12-1012S*	7/8-14	12	3.75	1.99	—	2.95	1.06
FJ4907-08-1212S	1-1/16-14	12	4.05	2.29	—	2.56	1.25
FJ4907-01-0606S	5/8-18	6	2.69	1.66	—	1.25	0.75

\*MTO (made to order)

# Factory Crimp Program - Fittings

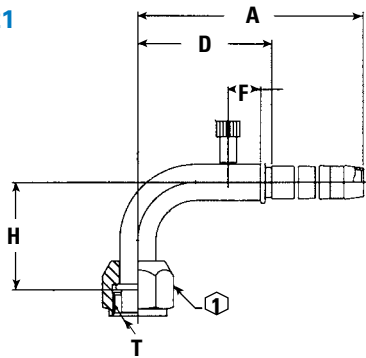
**FJ4908**



**90° O-ring (Short Pilot)**

Part Number	TH'D "T"	Hose Size	A Ref	D Ref	F Ref	H Ref	① Ref
FJ4908-02-0606S	5/8-18	6	2.46	1.42	—	1.25	0.75
FJ4908-01-0808S	3/4-16	8	2.79	1.65	—	1.68	0.88
FJ4908-05-1010S	7/8-14	10	3.46	1.94	—	2.00	1.06
FJ4908-04-1012S	7/8-14	12	3.75	1.99	—	2.00	1.06
FJ4908-06-1212S	1-1/16-14	12	4.06	2.29	—	2.30	1.25
FJ4908-09-0606S	5/8-18	6	2.48	1.42	—	2.50	0.75
FJ4908-10-0806S	3/4-16	6	2.74	1.68	—	1.88	0.88

**FJ4921**

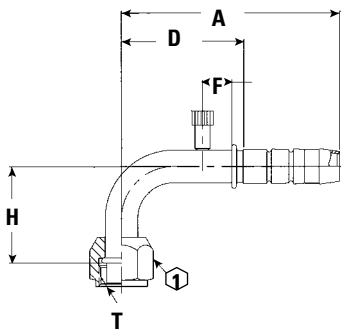


**90° Female O-ring (Long Pilot) with High Side Charge Port**

Part Number	TH'D "T"	Hose Size	A Ref	D Ref	F Ref	H Ref	① Ref
FJ4921-01-0606S*	5/8-18	6	3.38	2.44	0.94	1.40	0.75
FJ4921-02-0808S	3/4-16	8	4.05	2.91	0.94	1.68	0.88
FJ4921-03-1010S*	7/8-14	10	4.10	3.00	0.94	2.00	1.06

\*MTO (made to order)

**FJ4922**

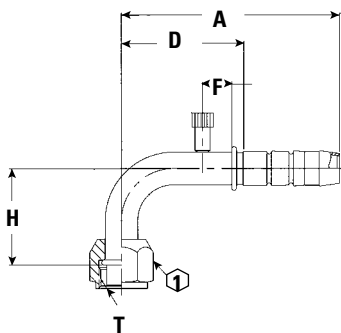


**90° Female O-ring (Long Pilot) with Low Side Charge Port**

Part Number	TH'D "T"	Hose Size	A Ref	D Ref	F Ref	H Ref	① Ref
FJ4922-01-1010S*	7/8-14	10	3.98	2.88	0.88	2.00	1.06
FJ4922-02-1012S	7/8-14	12	4.73	2.83	0.88	2.00	1.06
FJ4922-03-1212S*	1-1/16-14	12	4.24	3.13	0.88	2.30	1.25

\*MTO (made to order)

**FJ4923**



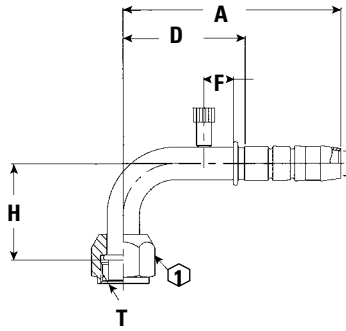
**90° Female O-ring (Short Pilot) with High Side Charge Port**

Part Number	TH'D "T"	Hose Size	A Ref	D Ref	F Ref	H Ref	① Ref
FJ4923-01-0606S*	5/8-18	6	3.38	2.44	0.94	1.40	0.75
FJ4923-02-0808S	3/4-16	8	3.83	2.69	0.94	1.68	0.88
FJ4923-03-1010S*	7/8-14	10	4.10	3.00	0.94	2.00	1.06

\*MTO (made to order)

# Factory Crimp Program - Fittings

## FJ4924

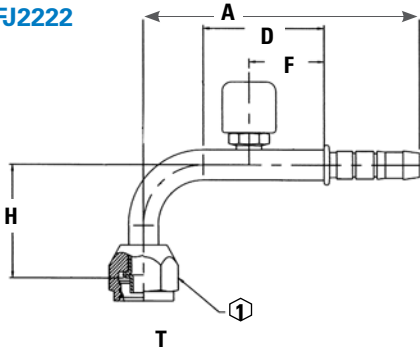


### 90° Female O-ring (Short Pilot) with Low Side Charge Port

Part Number	TH'D "T"	Hose Size	A Ref	D Ref	F Ref	H Ref	① Ref
FJ4924-01-1010S	7/8-14	10	4.39	2.88	0.88	2.00	1.06
FJ4924-02-1012S*	7/8-14	12	3.98	2.88	0.88	2.00	1.06
FJ4924-03-1212S*	1-1/16-14	12	4.24	3.13	0.88	2.30	1.25

\* MTO (made to order)

## FJ2222

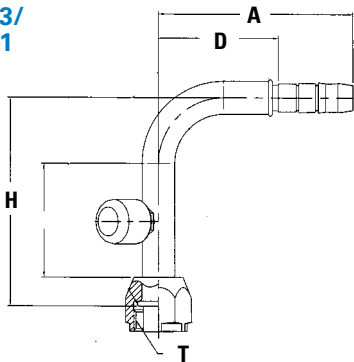


### 90° Female O-ring (Short Pilot) with Switch port

Part Number	TH'D "T"	Hose Size	A Ref	D Ref	F Ref	H Ref	① Ref
FJ2222-01-0606S	5/8-18	6	3.45	1.51	0.94	1.40	7/16-20

\* MTO (made to order)

## EJ2083/ EJ2561

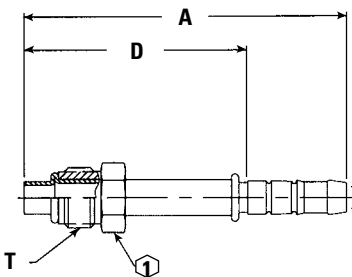


### 90° Female O-ring (Long Pilot) with Switch port

Part Number	TH'D "T"	Hose Size	A Ref	D Ref	F Ref	H Ref	① Ref
EJ2083-01-0808S	3/4-16	8	2.97	1.83	*	3.15	7/16-20
EJ2561-01-0810S	3/4-16	10	4.46	2.94	*	1.68	M10 x 1.25

\* Port located on drop

## FJ4901



### Male O-ring (Long Pilot)

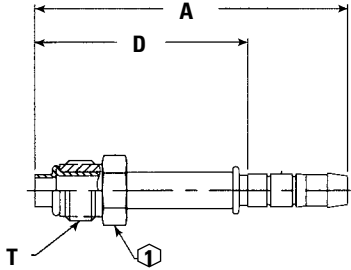
Part Number	TH'D "T"	Hose Size	A Ref	D Ref	F Ref	H Ref	① Ref
FJ4901-05-0606S	5/8-18	6	3.34	2.31	—	—	0.62
FJ4901-01-0606S	5/8-18	6	4.09	3.05	—	—	0.62
FJ4901-06-0808S*	3/4-18	8	3.81	2.88	—	—	0.75
FJ4901-03-1010S*	7/8-18	10	4.30	3.20	—	—	0.88
FJ4901-07-1012S*	7/8-18	12	4.32	3.20	—	—	0.88
FJ4901-04-1212S*	1-1/16-16	12	4.41	3.29	—	—	1.06

\* MTO (made to order)



# Factory Crimp Program - Fittings

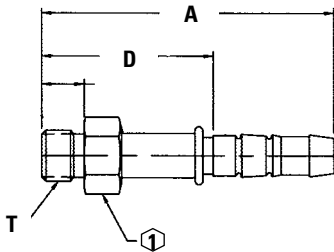
## FJ4902



### Male O-ring (Short Pilot)

Part Number	TH'D "T"	Hose Size	A Ref	D Ref	F Ref	H Ref	① Ref
FJ4902-02-0606S	5/8-18	6	3.25	2.21	—	—	0.62
FJ4902-04-0808S	3/4-18	8	4.30	3.16	—	—	0.75
FJ4902-01-1010S	7/8-18	10	4.46	2.94	—	—	0.88
FJ4902-03-1012S	7/8-18	12	4.76	3.00	—	—	0.88
FJ4902-05-1212S	1-1/16-16	12	4.90	3.13	—	—	1.06

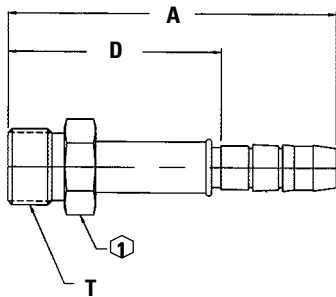
## FJ2241



### Straight Male O-ring Boss

Part Number	TH'D "T"	Hose Size	A Ref	D Ref	F Ref	H Ref	① Ref
FJ2241-0406S	7/16-20	6	2.50	1.46	—	—	0.56

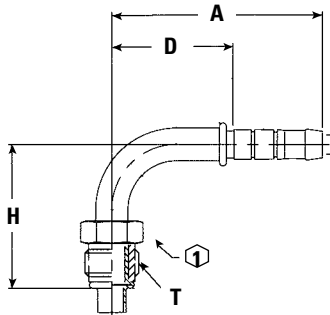
## FJ2074/ FJ2710/ FJ2749



### Straight MIO (Male Insert O-ring)

Part Number	TH'D "T"	Hose Size	A Ref	D Ref	F Ref	H Ref	① Ref
FJ2074-05-0808S	3/4-16	8	3.25	2.11	—	—	0.81
FJ2074-02-1012S	7/8-14	12	4.35	2.59	—	—	0.94
FJ2710-0606S	5/8-18	6	4.16	3.12	—	—	0.69
FJ2749-1012S	7/8-14	12	5.08	3.32	—	—	0.94

## FJ4903



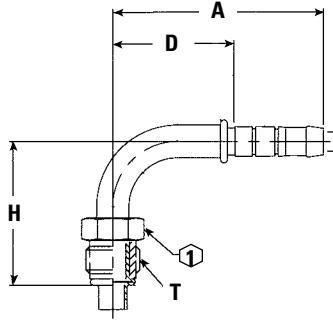
### 90° Male O-ring (Long Pilot)

Part Number	TH'D "T"	Hose Size	A Ref	D Ref	F Ref	H Ref	① Ref
FJ4903-01-0606S	5/8-18	6	2.44	1.40	—	1.65	0.62
FJ4903-02-0808S*	3/4-18	8	2.61	1.68	—	2.38	0.75
FJ4903-04-1010S*	7/8-18	10	3.11	2.00	—	2.69	0.88
FJ4903-03-1012S*	7/8-18	12	3.11	2.00	—	2.69	0.88
FJ4903-05-1212S*	1-1/16-16	12	3.36	2.24	—	2.79	1.06
FJ4903-09-0606S	5/8-18	6	2.43	1.40	—	1.97	0.62

\* MTO (made to order)

# Factory Crimp Program - Fittings

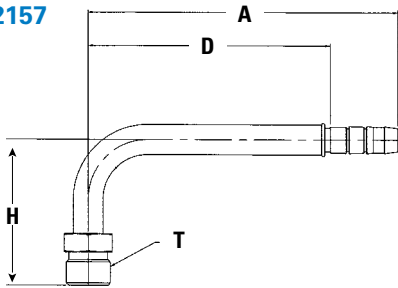
## FJ4904



### 90° Male O-ring (Short Pilot)

Part Number	TH'D "T"	Hose Size	A Ref	D Ref	F Ref	H Ref	① Ref
FJ4904-01-0606S	5/8-18	6	2.44	1.40	—	1.65	0.62
FJ4904-05-0808S	3/4-18	8	2.79	1.65	—	2.10	0.75
FJ4904-02-1010S	7/8-18	10	3.45	1.93	—	3.00	0.88
FJ4904-03-1012S	7/8-18	12	3.75	1.98	—	2.45	0.88
FJ4904-04-1212S	1-1/16-16	12	4.05	2.29	—	2.79	1.06

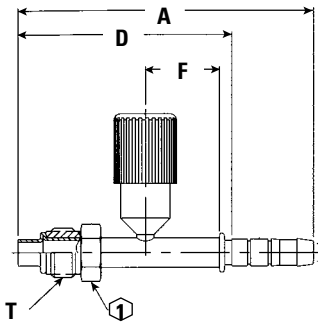
## EJ2157



### 90° Male MIO (Male Insert O-ring)

Part Number	TH'D "T"	Hose Size	A Ref	D Ref	F Ref	H Ref	① Ref
EJ2157-01-0808S	3/4-16	8	5.23	4.09	—	2.44	0.25

## FJ4909

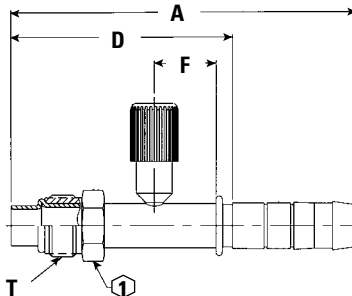


### Male O-ring (Long Pilot) with High Side Charge Port

Part Number	TH'D "T"	Hose Size	A Ref	D Ref	F Ref	H Ref	① Ref
FJ4909-01-0606S	5/8-18	6	3.73	2.71	0.94	—	0.63
FJ4909-02-0808S	3/4-18	8	4.29	3.15	0.94	—	0.75
FJ4909-03-1010S*	7/8-18	10	4.29	3.15	0.94	—	0.88

\* MTO (made to order)

## FJ4910

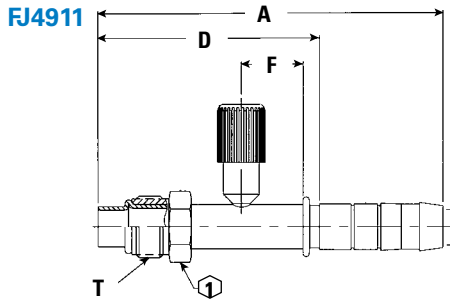


### Male O-ring (Long Pilot) with Low Side Charge Port

Part Number	TH'D "T"	Hose Size	A Ref	D Ref	F Ref	H Ref	① Ref
FJ4910-01-1010S*	7/8-18	10	4.95	3.20	0.88	—	0.88
FJ4910-02-1012S	7/8-18	12	4.95	3.20	0.88	—	0.88
FJ4910-03-1212S*	1-1/16-16	12	4.95	3.29	0.88	—	1.06

\* MTO (made to order)

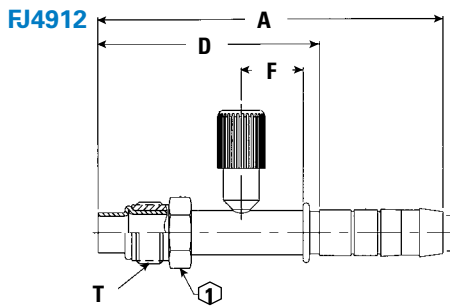
# Factory Crimp Program - Fittings



**Male O-ring (Short Pilot) with High Side Charge Port**

Part Number	TH'D "T"	Hose Size	A Ref	D Ref	F Ref	H Ref	① Ref
FJ4911-01-0606S*	5/8-18	6	3.57*	2.63	0.94	—	0.63
FJ4911-02-0808S*	3/4-18	8	3.92*	2.98	0.94	—	0.75
FJ4911-03-1010S*	7/8-18	10	4.95	3.00	0.94	—	0.88
FJ4911-05-0808S	3/4-18	8	5.36	4.22	0.99	—	0.75

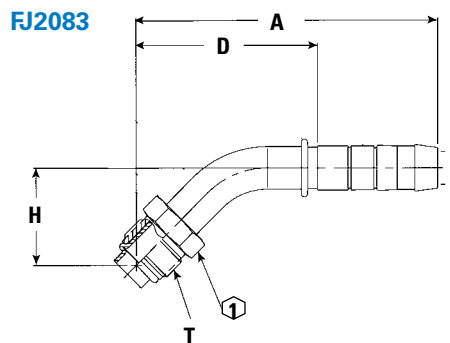
\* MTO (made to order)



**Male O-ring (Short Pilot) with Low Side Charge Port**

Part Number	TH'D "T"	Hose Size	A Ref	D Ref	F Ref	H Ref	① Ref
FJ4912-01-1010S*	7/8-18	10	4.95	3.00	0.88	—	0.88
FJ4912-05-1012S	7/8-18	12	6.10	4.34	0.99	—	0.88
FJ4912-03-1212S*	1-1/16-16	12	4.95	3.09	0.88	—	1.06

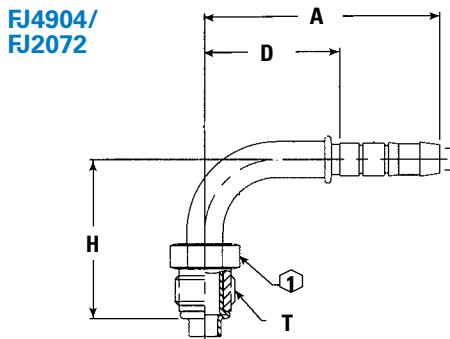
\* MTO (made to order)



**45° Male O-ring (Short Pilot)**

Part Number	TH'D "T"	Hose Size	A Ref	D Ref	F Ref	H Ref	① Ref
FJ2083-01-1012S	7/8-18	12	4.44	2.68	—	1.42	1.06
FJ2083-02-0606S*	5/8-18	6	3.08	2.05	—	1.08	0.63

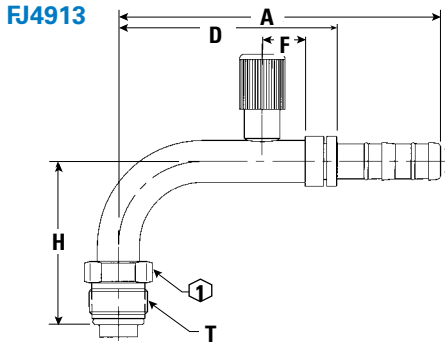
\* MTO (made to order)



**90° Male O-ring (Short Pilot)**

Part Number	TH'D "T"	Hose Size	A Ref	D Ref	F Ref	H Ref	① Ref
FJ4904-01-0606S	5/8-18	6	2.44	1.40	—	1.65	0.62
FJ4904-05-0808S	3/4-18	8	2.79	1.65	—	2.38	0.75
FJ4904-02-1010S	7/8-18	10	3.45	1.93	—	3.00	0.88
FJ4904-03-1012S	7/8-18	12	3.75	1.98	—	2.69	0.88
FJ4904-04-1212S	1-1/16-16	12	4.05	2.29	—	2.79	1.06
FJ2072-1012S	7/8-18	12	3.50	1.74	—	3.32	0.88

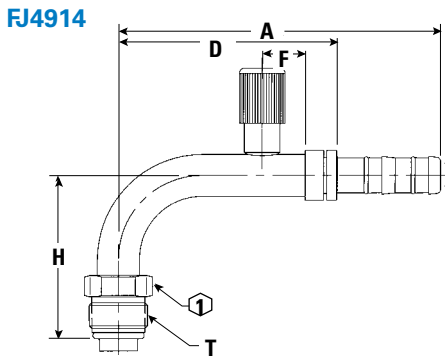
# Factory Crimp Program - Fittings



## 90° Male O-ring (Long Pilot) with High Side Charge Port

Part Number	TH'D "T"	Hose Size	A Ref	D Ref	F Ref	H Ref	① Ref
FJ4913-01-0606S*	5/8-18	6	3.86	2.43	0.94	1.77	0.63
FJ4913-02-0808S*	3/4-18	8	3.86	2.68	0.94	2.37	0.75
FJ4913-03-1010S*	7/8-18	10	4.92	3.00	0.94	2.45	0.88

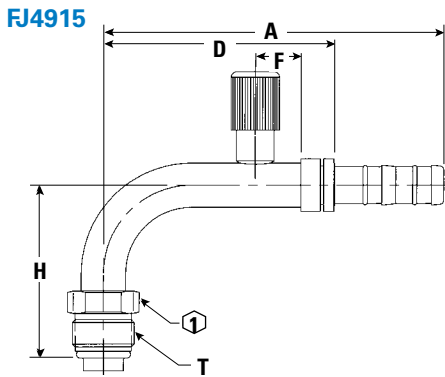
\* MTO (made to order)



## 90° Male O-ring (Long Pilot) with Low Side Charge Port

Part Number	TH'D "T"	Hose Size	A Ref	D Ref	F Ref	H Ref	① Ref
FJ4914-01-1010S*	7/8-18	10	4.00	2.88	0.88	2.45	0.88
FJ4914-02-1012S*	7/8-18	12	4.00	2.88	0.88	2.45	0.88
FJ4914-03-1212S*	1-1/16-16	12	4.25	3.13	0.88	3.67	1.06

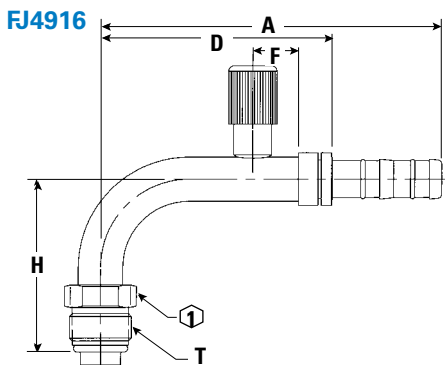
\* MTO (made to order)



## 90° Male O-ring (Short Pilot) with High Side Charge Port

Part Number	TH'D "T"	Hose Size	A Ref	D Ref	F Ref	H Ref	① Ref
FJ4915-01-0606S*	5/8-18	6	3.36	2.43	0.94	1.77	0.63
FJ4915-02-0808S	3/4-18	8	4.09	2.95	0.85	2.37	0.75
FJ4915-03-1010S*	7/8-18	10	4.12	3.00	0.94	2.45	0.88

\* MTO (made to order)



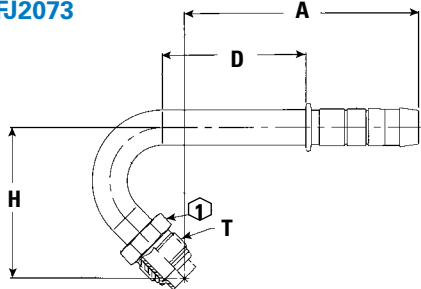
## 90° Male O-ring (Short Pilot) with Low Side Charge Port

Part Number	TH'D "T"	Hose Size	A Ref	D Ref	F Ref	H Ref	① Ref
FJ4916-01-1010S*	7/8-18	10	4.00	2.88	0.88	2.45	0.88
FJ4916-02-1012S*	7/8-18	12	4.00	2.88	0.88	2.45	0.88
FJ4916-03-1212S*	1-1/16-16	12	4.25	3.13	0.88	2.79	1.06

\* MTO (made to order)

# Factory Crimp Program - Fittings

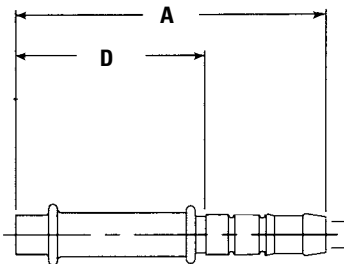
**FJ2073**



**135° Male O-ring (Short Pilot)**

Part Number	TH'D "T"	Hose Size	A Ref	D Ref	F Ref	H Ref	① Ref
FJ2073-1012S	7/8-18	12	4.15	2.39	—	2.66	1.06

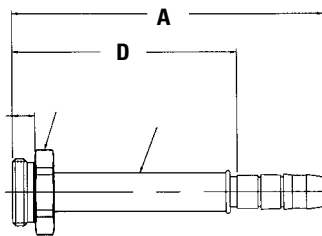
**FJ2086/  
FJ2087**



**O-ring Connection**

Nipple Part #	Hose Size	A Ref	D Ref	F Ref	H Ref	Pilot
FJ2086-0606S	6	2.65	1.61	—	—	Long
FJ2087-1212S	12	3.94	2.18	—	—	Short

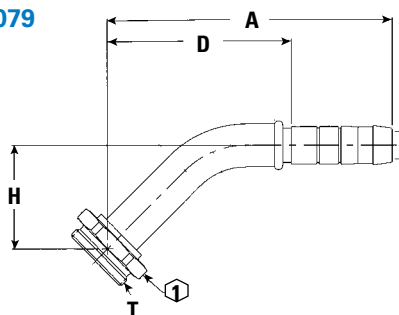
**FJ2909**



**Straight 5400 Coupling Thread**

Part Number	TH'D "T"	Hose Size	A Ref	D Ref	F Ref	H Ref	① Ref
FJ2909-01-1212S	1 1/4-18	12	4.03	2.27	—	—	1.38
FJ2909-02-0808S	7/8-20	8	4.09	2.95	—	—	1.00
FJ2909-04-0806S	7/8-20	6	4.09	3.05	—	—	1.00

**FJ2079**

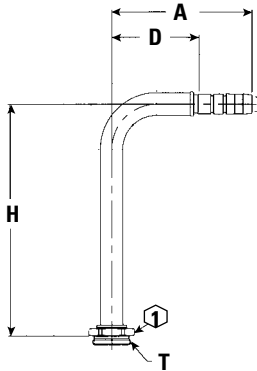


**45° 5400 Coupling Thread**

Part Number	TH'D "T"	Hose Size	A Ref	D Ref	F Ref	H Ref	① Ref
FJ2079-1212S	1-1/4-18	12	4.97	3.21	—	1.80	1.38
FJ2079-01-0808S	7/8-20	8	3.70	2.58	—	1.00	1.00

# Factory Crimp Program - Fittings

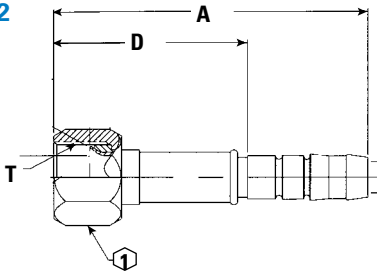
FJ2077/  
EJ2012



## 90° 5400 Coupling Thread

Part Number	TH'D "T"	Hose Size	A Ref	D Ref	F Ref	H Ref	① Ref
FJ2077-05-1212S	1-1/4-18	12	4.68	2.98	—	7.70	1.38
FJ2077-10-0806S	7/8-20	6	2.57	1.53	—	1.20	1.00
FJ2077-14-0806S	7/8-20	6	3.20	2.17	—	2.07	1.00
FJ2077-12-0808S	7/8-20	8	2.79	1.85	—	1.77	1.00
EJ2012-01-1212S	1-1/4-18	12	4.75	2.99	—	2.72	1.38
EJ2012-02-1212S	1-1/4-18	12	4.75	2.99	—	2.72	1.38

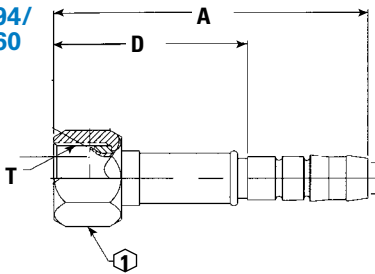
FJ3462



## S.A.E. 37° Swivel

Part Number	TH'D "T"	Hose Size	A Ref	D Ref	F Ref	H Ref	① Ref
FJ3462-03-1212	1-1/16-12	12	4.65	2.89	—	—	1.06

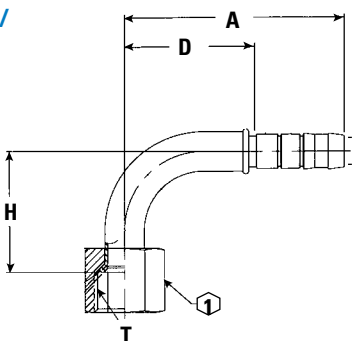
FJ4894/  
FJ4960



## S.A.E. 45° Female Swivel

Part Number	TH'D "T"	Hose Size	A Ref	D Ref	F Ref	H Ref	① Ref
FJ4960-0404S	7/16-20	4	2.08	1.41	—	—	0.56
FJ4894-07-0606S	5/8-18	6	3.01	1.97	—	—	0.75
FJ4894-08-0808S	3/4-16	8	3.61	2.48	—	—	0.88
FJ4894-03-1010S	7/8-14	10	4.86	3.34	—	—	1.06
FJ4894-06-1012S	7/8-14	12	4.56	2.80	—	—	1.06
FJ4894-04-1212S	1-1/16-14	12	5.56	3.80	—	—	1.31

FJ4964/  
FJ4896



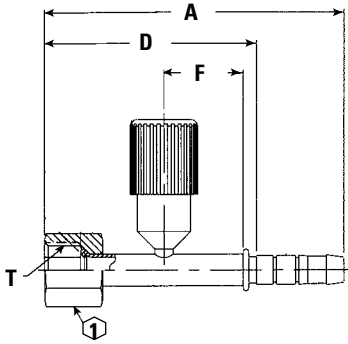
## 90° S.A.E. 45° Female Swivel

Part Number	TH'D "T"	Hose Size	A Ref	D Ref	F Ref	H Ref	① Ref
FJ4964-0404S	7/16-20	4	2.08	1.41	—	1.00	0.56
FJ4896-03-0606S	5/8-18	6	2.44	1.42	—	1.25	0.75
FJ4896-04-0808S	3/4-16	8	2.79	1.65	—	1.53	0.88
FJ4896-05-1010S	7/8-14	10	3.48	1.94	—	1.78	1.06
FJ4896-06-1012S	7/8-14	12	3.82	2.07	—	1.78	1.06
FJ4896-01-1212S*	1-1/16-14	12	3.37	2.25	—	2.10	1.31

\* MTO (made to order)

# Factory Crimp Program - Fittings

## FJ4897

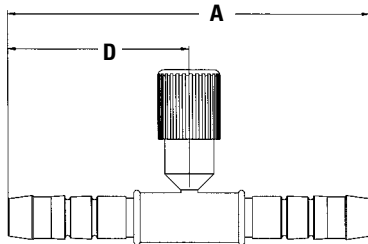


### S.A.E. 45° Swivel with High Side Charge Port

Part Number	TH'D "T"	Hose Size	A Ref	D Ref	F Ref	H Ref	⊕ Ref
FJ4897-01-0606S	5/8-18	6	3.46	2.51	0.94	—	0.75
FJ4897-02-0808S*	3/4-16	8	3.70	2.77	0.94	—	0.88
FJ4897-03-1010S*	7/8-14	10	4.22	3.10	0.94	—	1.06

\* MTO (made to order)

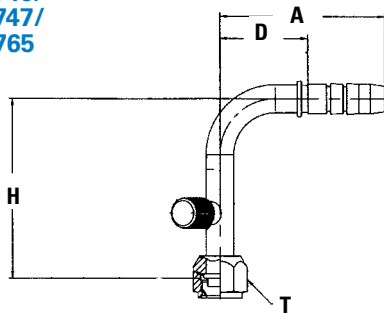
## FJ2674/ FJ2675



### Splicer with Charge Port

Nipple Part #	TH'D "T"	Hose Size	A Ref	D Ref	F Ref	H Ref	Port
FJ2674-1010S	—	10	7.87	3.93	—	—	Low
FJ2674-1212S	—	12	8.39	4.87	—	—	Low
FJ2675-0808S	—	8	5.61	3.33	—	—	High

## FJ2746/ FJ2747/ FJ2765

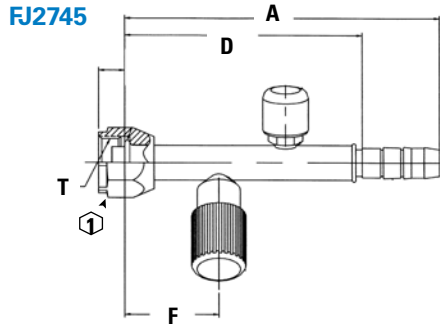


### 90° Female O-ring (Short Pilot), R134a Low-Side Port and Switch Port (Port to Port Rotations will vary - Contact Eaton Application Engineering)

Nipple Part #	TH'D "T"	Hose Size	A Ref	D Ref	F Ref	H Ref	Switch TH'D
FJ2746-1012S	7/8-14	12	3.75	1.99	*	4.02	7/16-20
FJ2747-1012S	7/8-14	12	3.75	1.99	*	4.02	7/16-20
FJ2765-1012S	7/8-14	12	6.71	4.95	0.88	2.06	7/16-20

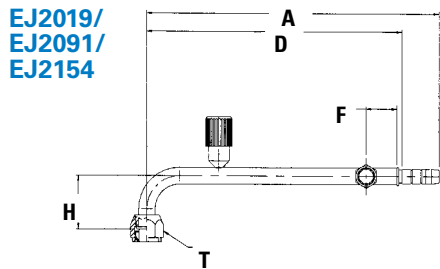
\* Ports located on drop

# Factory Crimp Program - Fittings



**FJ2745**  
**Straight Female O-ring (Long Pilot), R134a Hi-Side Port and Switch Port (Port to Port Rotations will vary - Contact Eaton Application Engineering)**

Nipple Part #	TH'D "T"	Hose Size	A Ref	D Ref	F Ref	H Ref	Switch TH'D
FJ2745-0808S	3/4-16	8	3.75	1.99	1.14	—	7/16-20

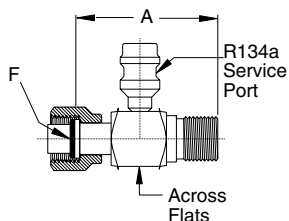


**EJ2019/  
EJ2091/  
EJ2154**  
**90° Female O-ring (Long Pilot), R134a Hi-Side Port and Switch port (Port to Port Rotations will vary - Contact Eaton Application Engineering)**

Nipple Part #	TH'D "T"	Hose Size	A Ref	D Ref	F Ref	H Ref	Switch TH'D
EJ2019-01-0808S	3/4-16	8	8.93	6.64	0.94	1.62	M12 x 1.25
EJ2091-01-0606S	5/8-18	6	5.37	4.33	1.30	2.52	7/16-20
EJ2154-0808S	3/4-16	8	4.43	3.29	1.09	1.71	M12 x 1.25

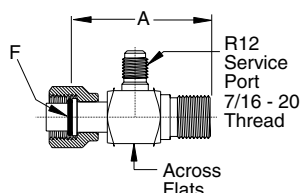


# Factory Crimp Program - Adapters



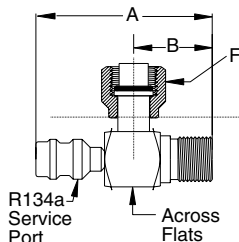
## Bumped Tube O-Ring Adapter with R134a Service Port

Tube Size	Catalog Number	Thread Size	Length A	Across Flats	Hex F	O-ring
3/8	75701*	5/8-18	2.02	5/8 <sup>1</sup>	3/4	ZW74706
1/2	75702*	3/4-16	2.22	7/8	7/8	ZW74708
5/8	75704**	7/8-14	2.63	7/8	1-1/16	ZW74710
3/4	75706**	1-1/16-14	2.89	1-1/16	1-1/4	ZW74712



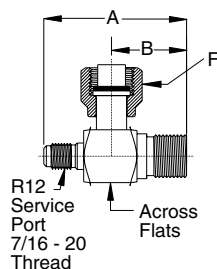
## Bumped Tube O-Ring Adapter with R12 Service Port

Tube Size	Catalog Number	Thread Size	Length A	Across Flats	Hex F	O-ring
3/8	R12-Z56	5/8-18	2.02	5/8 <sup>1</sup>	3/4	ZW74706
1/2	R12-Z58	3/4-16	2.22	7/8	7/8	ZW74708
5/8	R12-Z60	7/8-14	2.63	7/8	1-1/16	ZW74710
3/4	R12-Z62	1-1/16-14	2.89	1-1/16	1-1/4	ZW74712



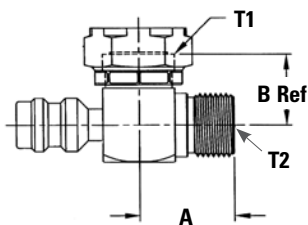
## 90° Bumped Tube O-ring Adapter with R134a Service Port

Tube Size	Catalog Number	Thread Size	Length A	Drop B	Across Flats	Hex F	O-ring
3/8	75729*	5/8-18	2.46	1.05	5/8 <sup>1</sup>	3/4	ZW74706
1/2	75730*	3/4-16	2.66	1.15	7/8	7/8	ZW74708
5/8	75731**	7/8-14	2.80	1.30	7/8	1-1/16	ZW74710
3/4	75732**	1-1/16-14	3.16	1.39	1-1/16 <sup>1</sup>	1-1/4	ZW74712



## 90° Bumped Tube O-ring Adapter with R12 Service Port

Tube Size	Catalog Number	Thread Size	Length A	Drop B	Across Flats	Hex F	O-ring
3/8	R12-Z96	5/8-18	2.07	1.05	5/8 <sup>1</sup>	3/4	ZW74706
1/2	R12-Z97	3/4-16	2.27	1.15	7/8	7/8	ZW74708
5/8	R12-Z98	7/8-14	2.41	1.30	7/8	1-1/16	ZW74710
3/4	R12-Z99	1-1/16-16	2.77	1.39	1-1/16 <sup>1</sup>	1-1/4	ZW74712



## Rotolok to MIO

Catalog Number	Tube Size	Thread Size (T1)	Thread Size (T2)	Drop A	Ref Drop	B Port	Ref
75750	1/2	1-14	3/4-16	1.15	0.84	Hi-Side	—
75751	5/8	1-14	7/8-16	1.29	0.84	Low-Side	—
75760*	Same as 75750, except includes threaded cap for Rotolock end.						—
75761*	Same as 75751, except includes threaded cap for Rotolock end.						—

\* High Side Port

\*\* Low Side Port



## Nylon Sleevings



Designed for abrasion protection of air conditioning hoses

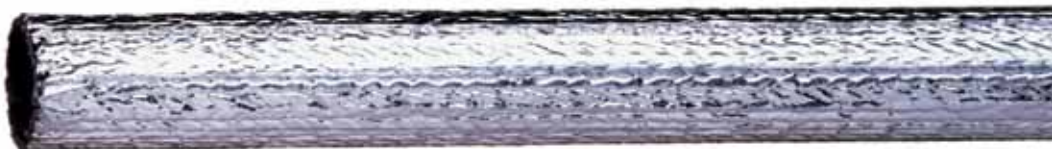
### Features and Benefits

- Easy to cut and assemble
- Tight fit for tight spaces
- Nylon tie straps will hold in place (FF9349-22-150 for all sizes of sleeve)

Hose Sizes	Sleeve Size used for GH134 (Part Number)
GH134-6	FF90224-16
GH134-8	FF90224-16
GH134-10	FF90224-24
GH134-12	FF90224-24

Part Number	Sleeve Will Accept a Maximum O.D. of	Hose with a Minimum O.D. of
FF90224-16	1.12	0.68
FF90224-24	1.93	1.18

## Heat Sleevings



Designed for heat deflection of air conditioning hoses

### Features and Benefits

- Fiberglass reinforced
- Wall thickness .025
- Protects from radiant heat to plus 400°C (review application with Eaton Sales Representative)
- Nylon tie straps will hold in place (FF9349-22-150 for all sizes)

FF90356 Reflective Heat Sleeve	Cross Diameter Size (inches)	For GH134 and FC505 Hose Size
FF90356-01	1.00	-6 & -8
FF90356-02	1.25	-10 & -12
FF90356-04	0.75	-6
FF90356-05	0.62	-4
FF90356-06	1.50	-16

## Retaining Bracket

### “Eaton introduces mechanical tube brackets!”

Eaton’s new tube brackets have been designed specifically for a customer’s unique bracketing requirements. The three-piece design begins with an EPDM grommet (figure 4), which minimizes tube friction, and “locks” the bracket onto the tube. This design withstands vibration in the toughest of environments, without slippage, and offers ease of fit up, that is often difficult with

welded brackets. To complete the assembly, the bracket connection is the customer’s design, and the bracket retainer, or bracket top, is sized for a specific tube O.D.

To install the assembly, the bracket top and bracket bottom, lock into place, with the ease of a flange screw.

Part numbers for the grommet, bracket top and flange

screw are shown in the chart below. A sample of the connecting bracket, is shown in figure A.

Please contact your Eaton Sales Representative, or Eaton Applications Team to discuss additional designs that are currently available, or the opportunity to support a new design for your specific application.

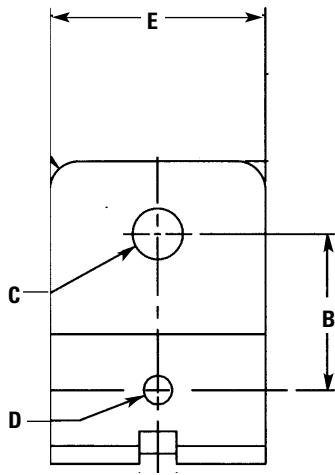


Figure 1 Bracket Top

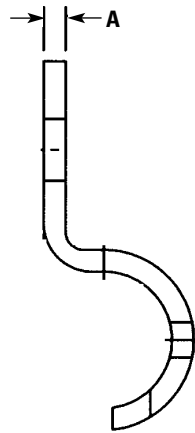


Figure 2 Bracket Top

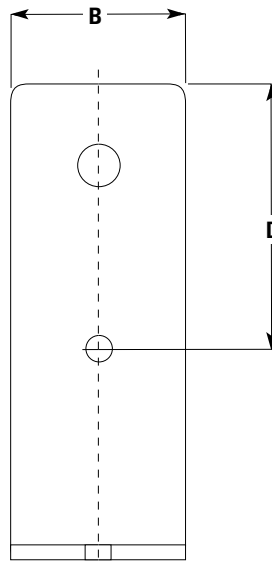


Figure 3 Base Bracket



Figure 4 Grommet

Description	Part Number	Tube Size Used On	“A” Bracket Thickness	“B” Bracket Retainer Width	“C” Bracket Retainer Height	“D” Base Bracket Length
Tube Grommet	FF90420-06	6	—	—	—	—
Tube Grommet	FF90420-08	8	—	—	—	—
Tube Grommet	FF90420-14	14	—	—	—	—
Flange Screw	FF90453	All	—	—	—	—
Bracket Top*	FF90421-06	6	2.5/.098	30/1.181	7/.276	—
Bracket Top*	FF90421-08	8	2.5/.098	30/1.181	7/.276	—
Bracket Top*	FF90421-14	14	2.5/.098	30/1.181	7/.276	—
Base Bracket**	FF90422-14	14	2.5/.098	30/1.181	—	54/2.13

\* Figure 1 and 2

\*\* Figure 3

# Notes



# Notes

Eaton  
Hydraulics Business USA  
14615 Lone Oak Road  
Eden Prairie, MN 55344  
USA  
Tel: 952-937-9800  
Fax: 952-294-7722  
[www.eaton.com/hydraulics](http://www.eaton.com/hydraulics)

Eaton  
Hydraulics Business Europe  
Route de la Longeraie 7  
1110 Morges  
Switzerland  
Tel: +41 (0) 21 811 4600  
Fax: +41 (0) 21 811 4601

Eaton  
Hydraulics Group Asia Pacific  
Eaton Building  
4<sup>th</sup> Floor, No. 3 Lane 280 Linhong Rd.  
Changning District  
Shanghai 200335  
China  
Tel: (+86 21) 5200 0099  
Fax: (+86 21) 5200 0400