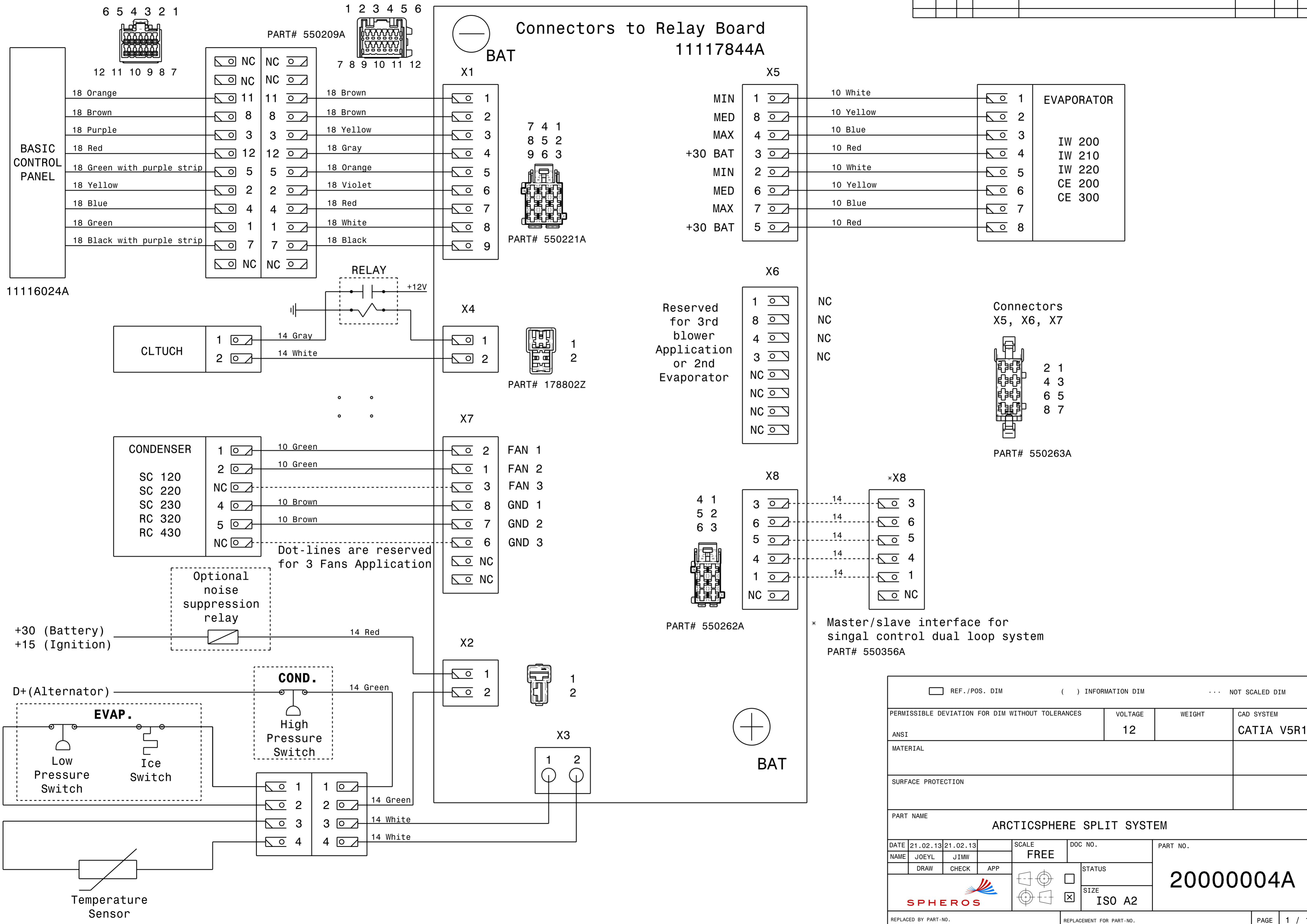


CL1	CL2	QTY	NUMBER	CHANGE	DD. MM. YY	DRAW	CHECK



REF./POS. DIM		INFORMATION DIM		NOT SCALED DIM	
PERMISSIBLE DEVIATION FOR DIM WITHOUT TOLERANCES		VOLTAGE	WEIGHT	CAD SYSTEM	
ANSI		12		CATIA V5R19	
MATERIAL					
SURFACE PROTECTION					
PART NAME					
ARCTICSPHERE SPLIT SYSTEM					
DATE	21.02.13	21.02.13	SCALE	DOC NO.	PART NO.
NAME	JOEYL	JIMW	FREE		
	DRAW	CHECK	APP		
			STATUS		20000004A
			<input type="checkbox"/> <input checked="" type="checkbox"/>		
REPLACED BY PART-NO.			REPLACEMENT FOR PART-NO.		PAGE 1 / 1