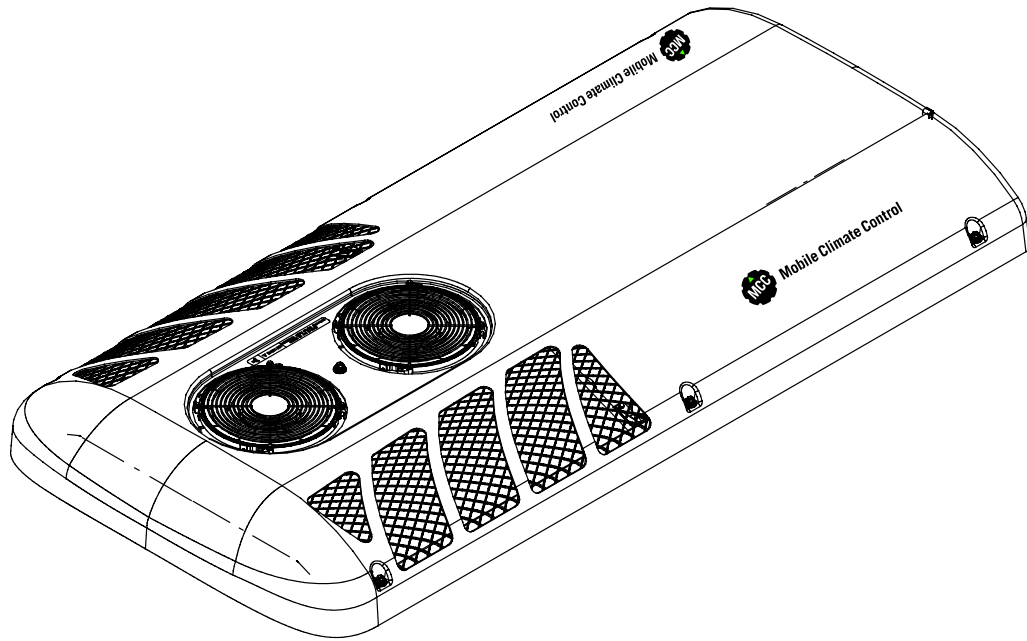




**Mobile Climate Control**

T-353PL Manual



# **SERVICE PARTS LIST**

## **for**

### **68AC430-100**

**T-353PL**

REV. 06/2012



TABLE OF CONTENTS

INTRODUCTION ..... ii

MODEL/SERIAL NUMBER PLATE LOCATION ..... ii

MODEL CHART ..... ii

ORDERING INSTRUCTIONS ..... iii

GENERAL NOTES ..... iii

1 EVAPORATOR HOUSING KIT - STANDARD (2 BLOWERS) ..... 1

2 AIR EXCHANGE KIT (WITHOUT FRESH AIR) ..... 3

3 EVAPORATOR BLOWER KIT (BRUSHLESS) ..... 4

4 EVAPORATOR COIL KIT ..... 5

5 EVAPORATOR CONNECTION KIT ..... 7

6 EVAPORATOR HEATING KITS ..... 8

    6.1 Evaporator With Heat, Units 68AC430-100, 100-6 ..... 8

    6.2 Evaporator Without Heat, Units 68AC430-100-2, 100-7 ..... 9

7 EVAPORATOR FILTER KIT ..... 10

8 AIR DELIVERY ..... 11

    8.1 Plenum Assembly ..... 11

    8.2 Return Air Filter Assembly ..... 12

9 ELECTRICAL KIT ..... 13

10 EVAPORATOR ELECTRICAL KIT (RELAY BOARD) ..... 15

11 DECAL KIT ..... 17

12 COVER KITS ..... 18

    12.1 Cover Kit, Units 68AC430-100, 100-2 ..... 18

    12.2 Cover Kit, Units 68AC430-100-6, 100-7 ..... 19

13 CONDENSER KIT - (1-CIRCUIT) ..... 20

14 CONDENSER FAN AND MOTOR KIT ..... 21

15 PIPING KIT ..... 22

16 CONTROL PANEL AND HARNESS ..... 25

17 ELECTRIC COMPONENTS ..... 26

18 MISCELLANEOUS COMPONENTS ..... 27

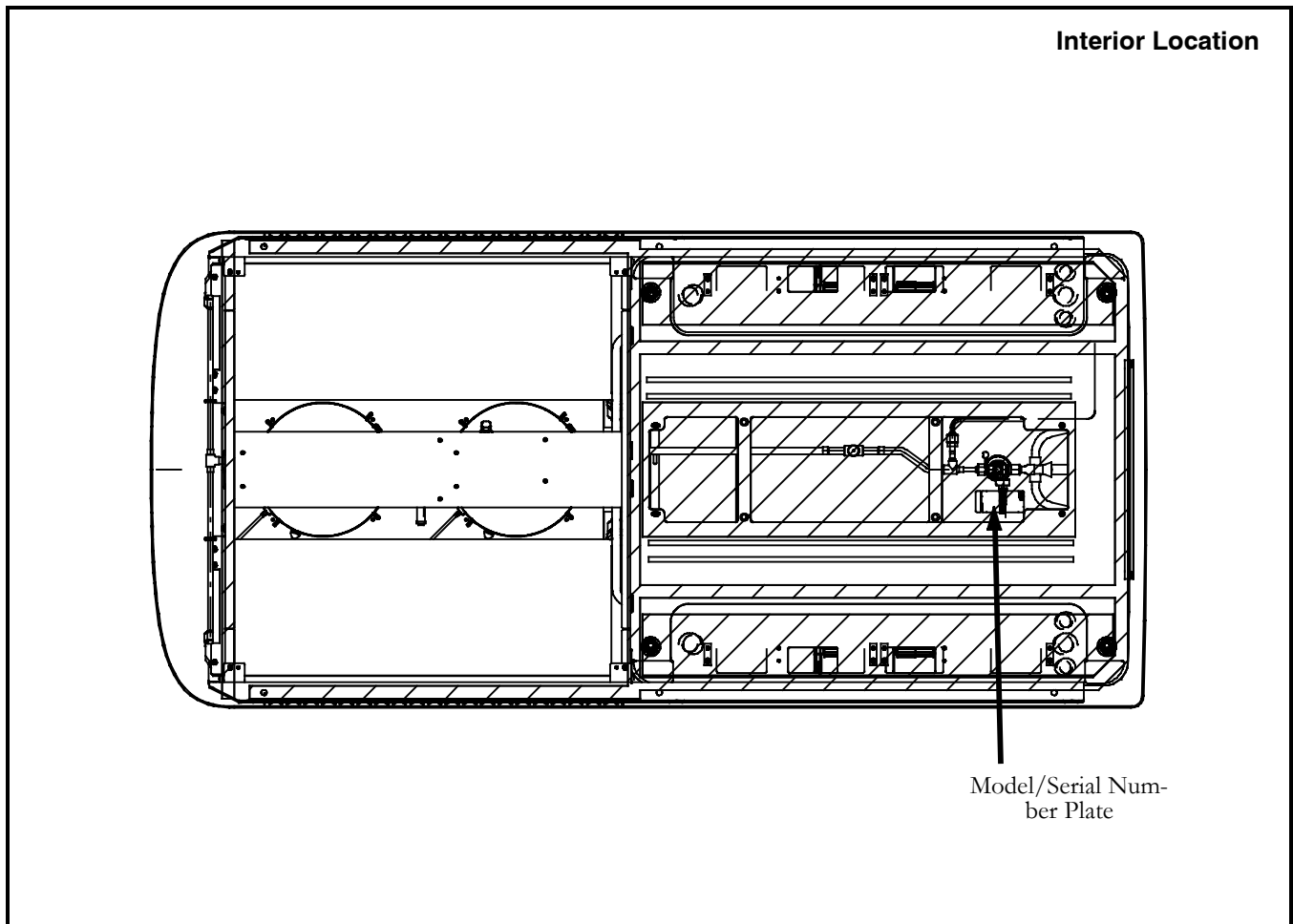
PART NUMBER INDEX ..... Index-1



**INTRODUCTION**

The Mobile Climate Control Model 68AC430-100 series units are of lightweight frame construction, designed to be installed on the vehicle roof. This parts list identifies service replacement parts for units found in the Model Chart.

**MODEL/SERIAL NUMBER PLATE LOCATION**



**MODEL CHART**

Part (Model) Number	Refrigerant	Controller	Thermostat	Filter Material	Evaporator & Condenser Motors
68AC430-100	R-134a	Micro-Max	Adjustable	Natural Hair	Brushless
68AC430-100-2	R-134a	Micro-Max	Adjustable	Natural Hair	Brushless
68AC430-100-6	R-134a	Micro-Max	Adjustable	Natural Hair	Brushless
68AC430-100-7	R-134a	Micro-Max	Adjustable	Natural Hair	Brushless



## **ORDERING INSTRUCTIONS**

All orders and inquiries for parts must include: Unit Serial Number, Part no., description of part as shown on list and quantity required. Parts can be ordered by going to the following website:

**[www.mcc-hvac.com](http://www.mcc-hvac.com)**

## **GENERAL NOTES**

To find replacement parts, determine major group in which replacement part is located, consult table of contents for the appropriate page for the illustrated breakdown of the replacement part. The following letter designations are used to classify parts throughout this list.

A/R *As Required*

NSA *Non-Stock Assembly* - order components listed under the assembly.

NSS *Not Sold Separately* - order next higher assembly or kit.

NS *Not Shown*

P *Painted*

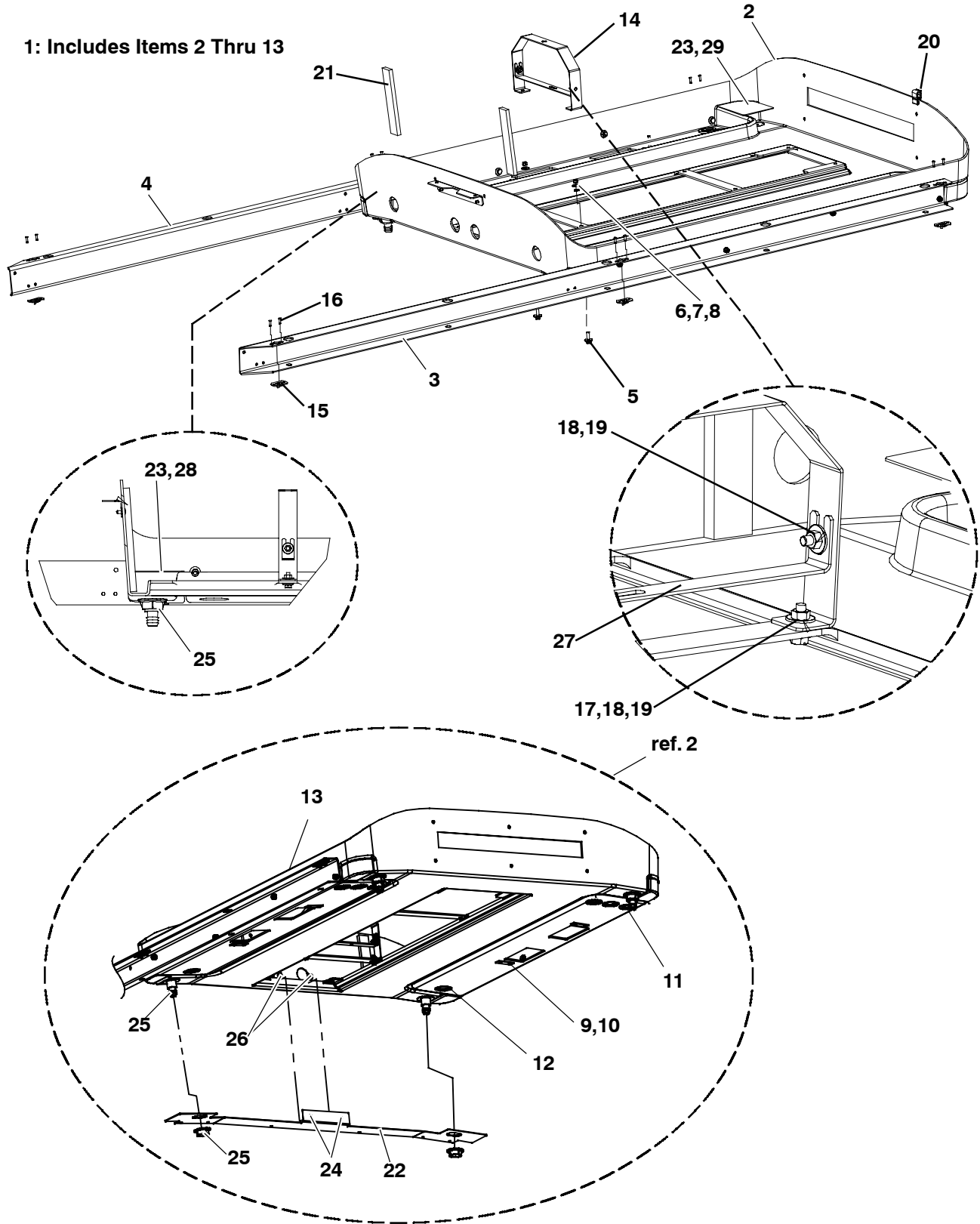
SST *Stainless Steel* - 300 Series unless otherwise specified.

SV Suffix SV added to part number designates service replacement part.



# 1 EVAPORATOR HOUSING KIT - STANDARD (2 BLOWERS)

1: Includes Items 2 Thru 13

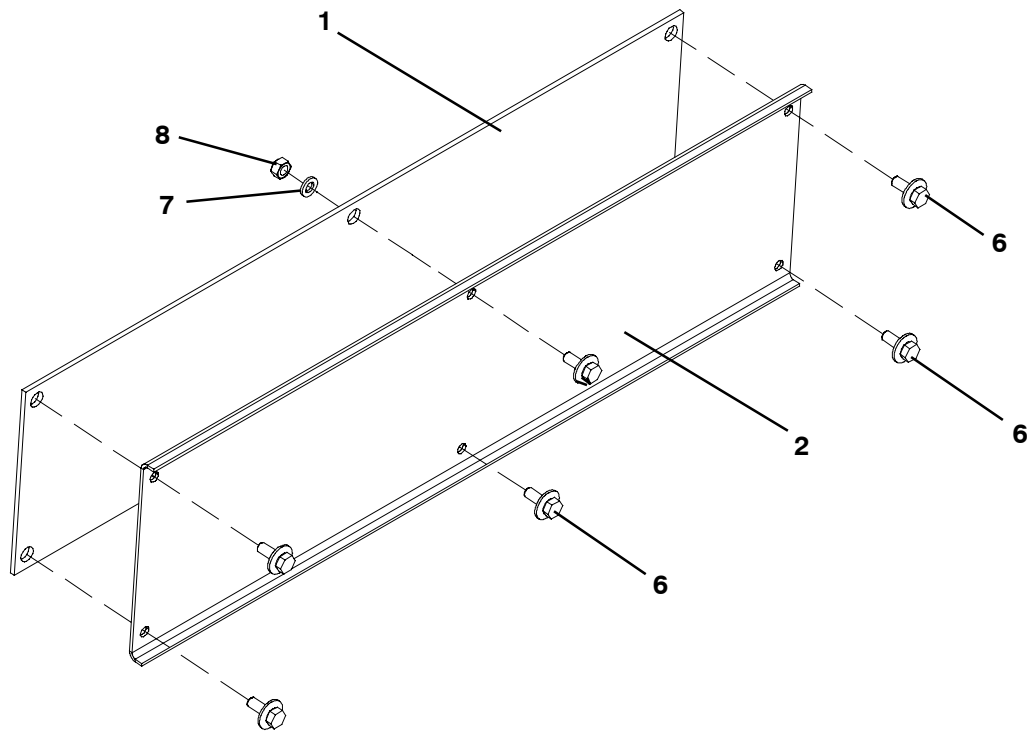
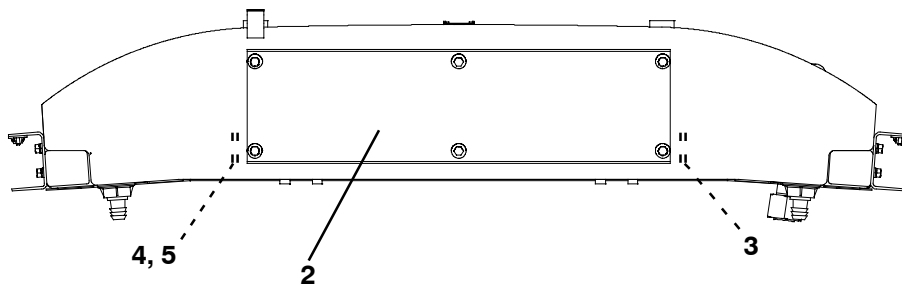




<b>1 EVAPORATOR HOUSING KIT - STANDARD (2 BLOWERS) - Continued</b>			
<b>Item</b>	<b>Part Number</b>	<b>Description</b>	<b>Qty</b>
1	79-62134-00	Housing Assembly, Evaporator - Includes:	1
2	58-62220-00	Housing, Evaporator	1
3	68-67290-00	Mounting Rail, Evaporator Housing (Road Side)	1
4	68-67290-01	Mounting Rail, Evaporator Housing (Curb Side)	1
5	34-60068-20	Screw, Hex Head, SEMS, M6 X 20mm Long, SST	8
6	34-01151-06	Washer, Flat, M6	8
7	34-01146-06	Washer, Lock, M6 Spring	8
8	34-01145-04	Nut, Hex M6	8
9	34-00928-13	Rivet, Blind, 0.187 Diameter (Grip Range 0.126 - 0.250)	4
10	67-67013-00	Support Assembly, Blower, M6 DiameterStud x 40mm	4
11	58-60302-07	Grommet, 2.5mm x 36.0mm x 47.0mm	4
12	58-60302-06	Grommet, 2.0mm x 29.0mm x 37.0mm	4
13	02-00067-00	Sealant, Adhesive Caulk, White	A/R
14	67-67274-00	Bracket, Mounting, Panel Assembly	1
15	34-62016-00	Plate, Locking, Cover Mounting	6
16	34-00999-04	Rivet, Blind, Countersunk Head, 0.156 Inch Diameter (Grip Range 0.188 - 0.250)	12
17	34-01266-20	Screw, Hex Head, Slotted, SEMS, M6 X 20mm Long, SST	2
18	34-60095-46	Washer, Lock, M6 X 18mm OD	4
19	34-01184-06	Nut, Lock, M6 Nylock	4
20	42-00264-62	Seal Trim, Black	A/R
21	42-67009-100	Gasket, 0.39 Thick x 1.18 x 78.74 Inches Long, Adhesive	A/R
22	68-63848-00	Plate,Block off, Cond-Evap	1
23	02-62001-01	Sealant, Adhesive Caulk, White	1
24	34-00774-02	Rivet, Blind, 0.188 Diameter (Grip Range 0.187 - 0.437)	2
25	58-67105-00	Drain, Condensate	4
26	34-00366-09	Washer, Plain #10, Zinc Plated	2
27	68-63869-00	Bracket, Support, Liquid Line	1
28	68-63866-00	Plate, Drain Cover	2
29	68-63866-01	Plate, Drain Cover, With Hole	2



## 2 AIR EXCHANGE KIT (WITHOUT FRESH AIR)

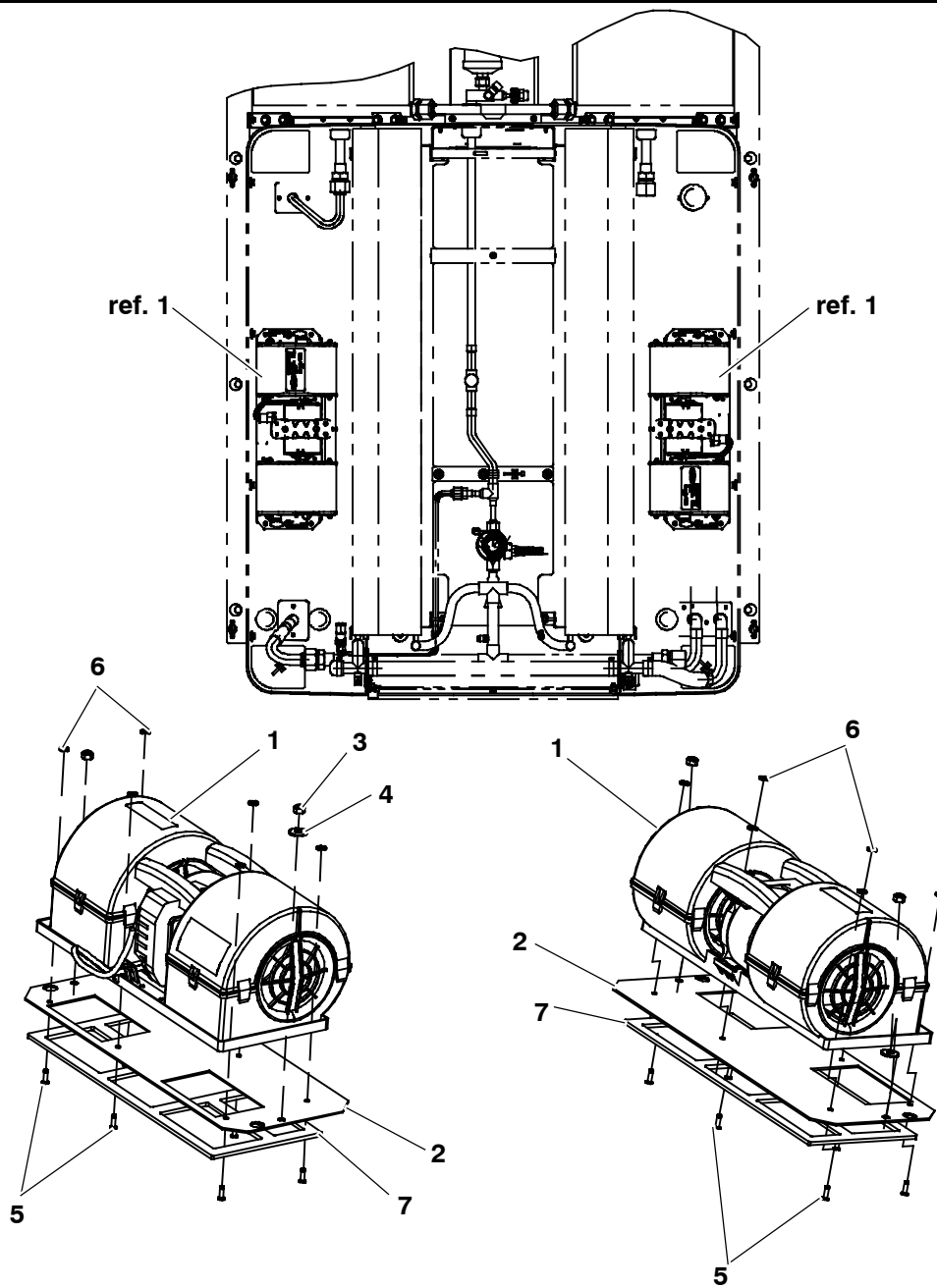


REF. KIT 77-00286-00 D

Item	Part Number	Description	Qty
1	42-62159-00	Insulation, Foam, 0.12 Thick x 5.12 x 20.47 Inches, Adhesive Backed	1
2	68-67317-01	Panel, Blank Off, Fresh Air	1
3	58-60302-04	Grommet, 2.0mm x 16.0mm x 22.5mm	1
4	58-00616-03	Plug, Hole 1.09 Inch Diameter	1
5	34-00928-08	Rivet, Blind, 0.156 Diameter (Grip Range 0.126 - 0.187)	2
6	34-01266-20	Screw, Hex Head, Slotted, SEMS, M6 X 20mm Long, SST	6
7	34-60095-46	Washer, Lock, M6 X 18mm OD	6
8	34-01184-06	Nut, Lock, M6 Nylock	6



3 EVAPORATOR BLOWER KIT (BRUSHLESS)



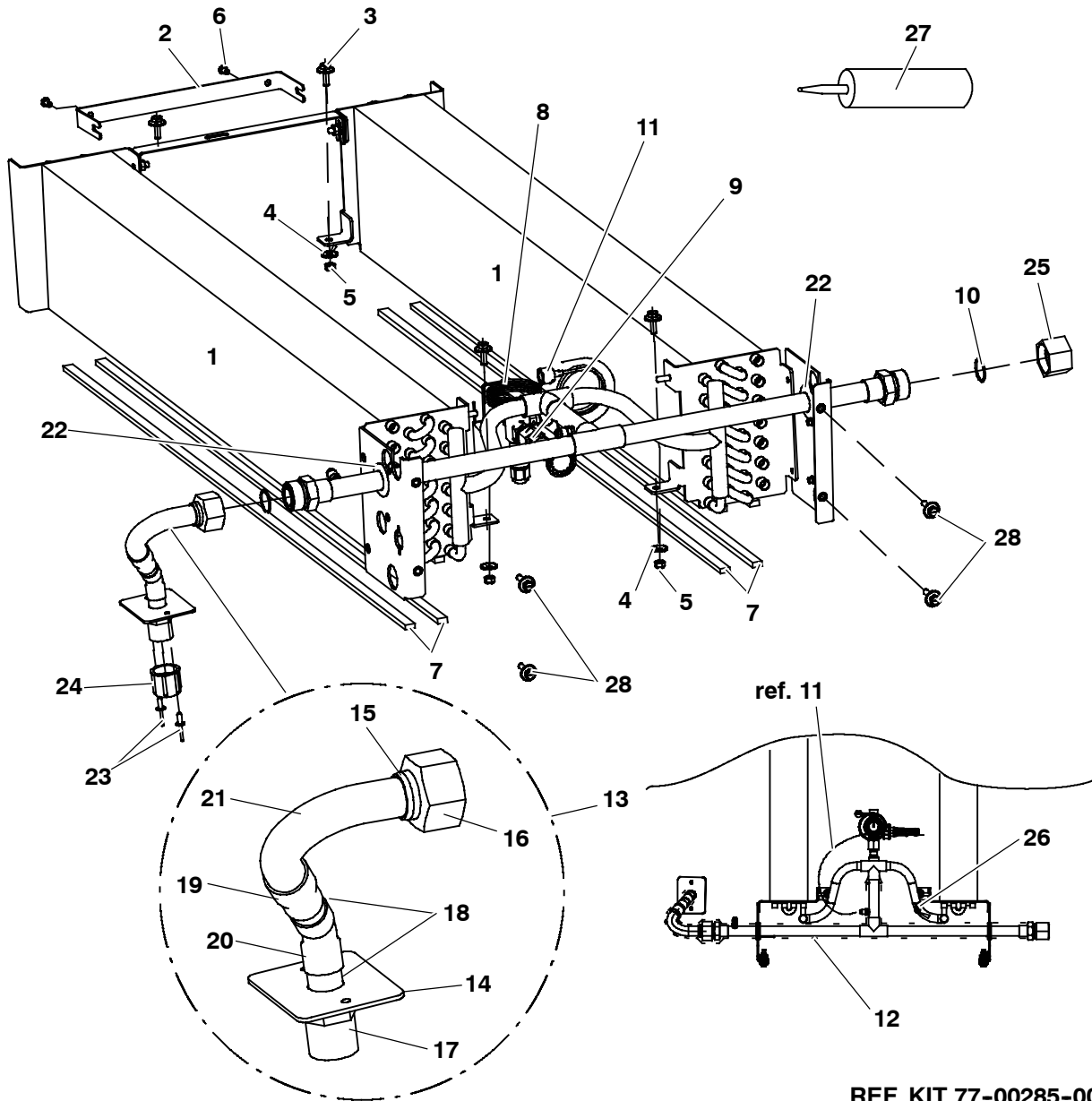
REF. KIT 77-00288-00 D

Item	Part Number	Description	Qty
1	54-00627-03	Blower Assembly, 13VDC 3250 RPM	2
2	68-67097-00	Plate, 2.0mm Thick Aluminum	2
3	34-01184-06	Nut, Lock, M6 Nylock	4
4	34-60095-46	Washer, Lock, M6 X 18mm OD	4
5	34-00999-04	Rivet, Blind, Countersunk Head, 0.156 Inch Diameter (Grip Range 0.188 - 0.250)	12
6	34-00662-08	Washer, Plain, #8, SST	12
7	42-62161-00	Gasket, Blower/Motor Assembly, Adhesive Backed	2





### 4 EVAPORATOR COIL KIT



REF. KIT 77-00285-00 D

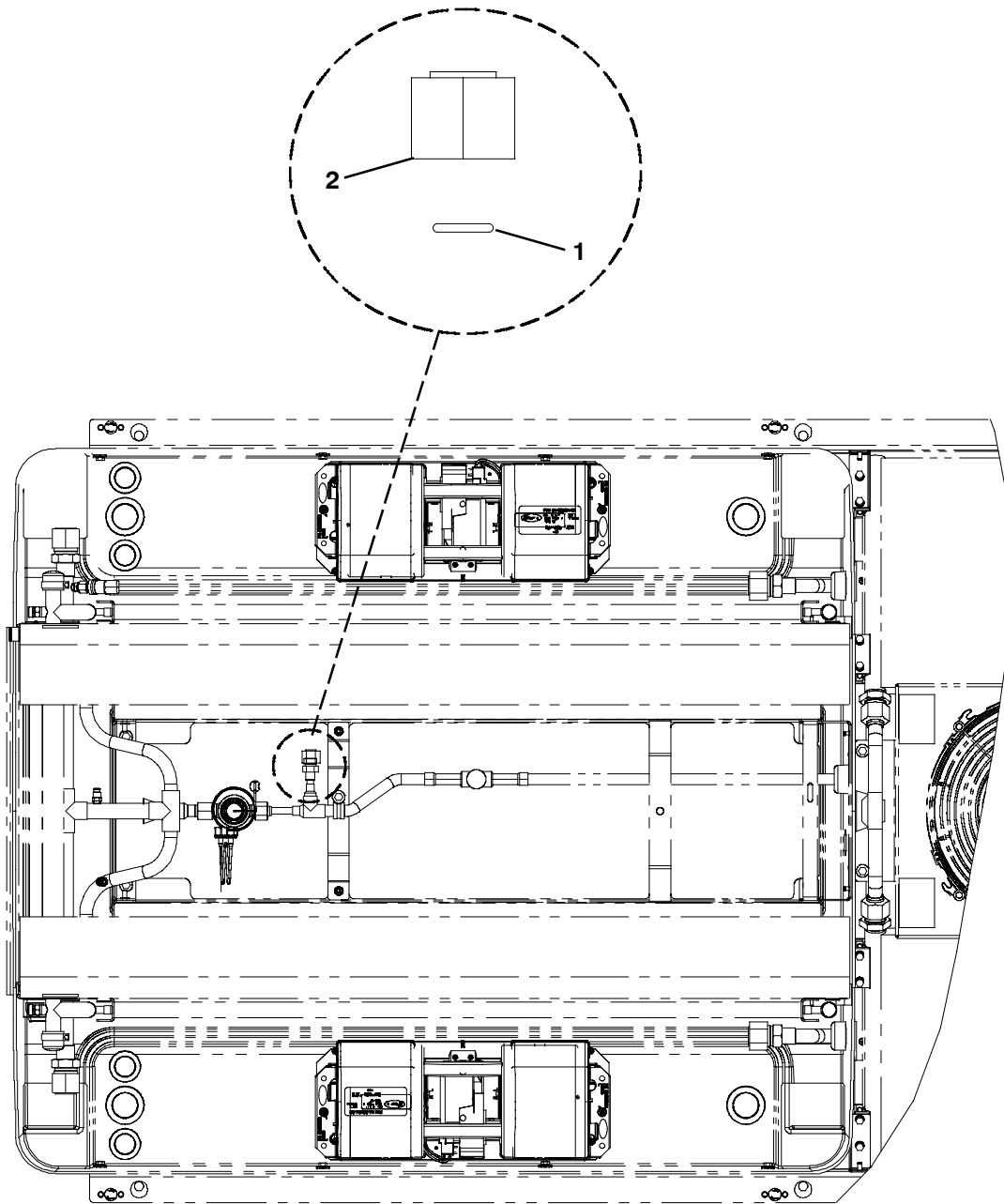
Item	Part Number	Description	Qty
1	08-67029-00	Coil Assembly, Evaporator (Aluminum/Copper)	1
2	68-67301-00	Bracket, Coil Support (Aluminum)	1
3	34-01266-20	Screw, Hex Head, Slotted, Sems, M6 x 20mm Long, Zinc	4
4	34-60095-46	Washer, Lock, M6 X 18mm OD	4
5	34-01184-06	Nut, Lock, M6 Nylock	4
6	34-00928-13	Rivet, Blind, 0.187 Diameter (Grip Range 0.126 - 0.250)	2
7	AC801-401	Gasket, Adhesive Backed, 0.19 x 0.38 x 50 Feet Roll, Black	16
8	14-00344-00	Valve, Expansion, TXV, 3/8 ODF Inlet x 1/2 ODF Outlet, 20 KW (R134a)	1
9	42-00243-04	O-Ring, 0.489 ID x 0.070 Thick	1
10	42-00243-16	O-Ring, 0.926 ID x 0.070 Thick	2



4 EVAPORATOR COIL KIT - Continued			
Item	Part Number	Description	Qty
11	56-62187-00	Tube Assembly, Equalizer	1
12	42-00032-00	Tape, Insulation, Presstite, 1/8 Thick x 2.00 x 30.00 Feet Long	18
13	81-62167-00	Tube Assembly, Suction Line, (Road Side), - Includes:	1
14	68-63840-00	Plate, Tube Support, Brass	1
15	40-60008-07	Sleeve, ORS, 7/8 Tube	1
16	40-60009-06	Nut, ORS, 7/8 Tube	1
17	40-62032-00	Fitting, 1-1/16-14 UNF X 3/4 Tube	1
18	56-62333-00	Tube, Suction, Straight, 7/8 OD x .045W Copper	2
19	40-00130-13	Fitting, Reducer, 7/8 x 3/4	1
20	40-00074-06	Elbow, 45 Degree, Copper, 3/4 x 3/4	1
21	56-62331-00	Tube, Suction, Bent, 7/8 OD x .045W Copper	1
22	58-60302-04	Grommet, 2.0mm x 16.0mm x 22.5mm	2
23	34-00774-02	Rivet, Blind, 0.188 Diameter (Grip Range 0.187 - 0.437)	2
24	58-62226-00	Cap, 1/16-14 Flared	1
25	40-60010-06	Plug, Female, ORS, 7/8 Tube	1
26	40-01184-00	Fitting Assembly, Low Side Adapter	1
27	02-62001-01	Sealant, Adhesive Caulk, White	1
28	34-01266-25	Screw, Hex Head, Slotted, Sems, M6 x 25mm Long, Zinc	4



5 EVAPORATOR CONNECTION KIT



REF. KIT 77-62271-01 A

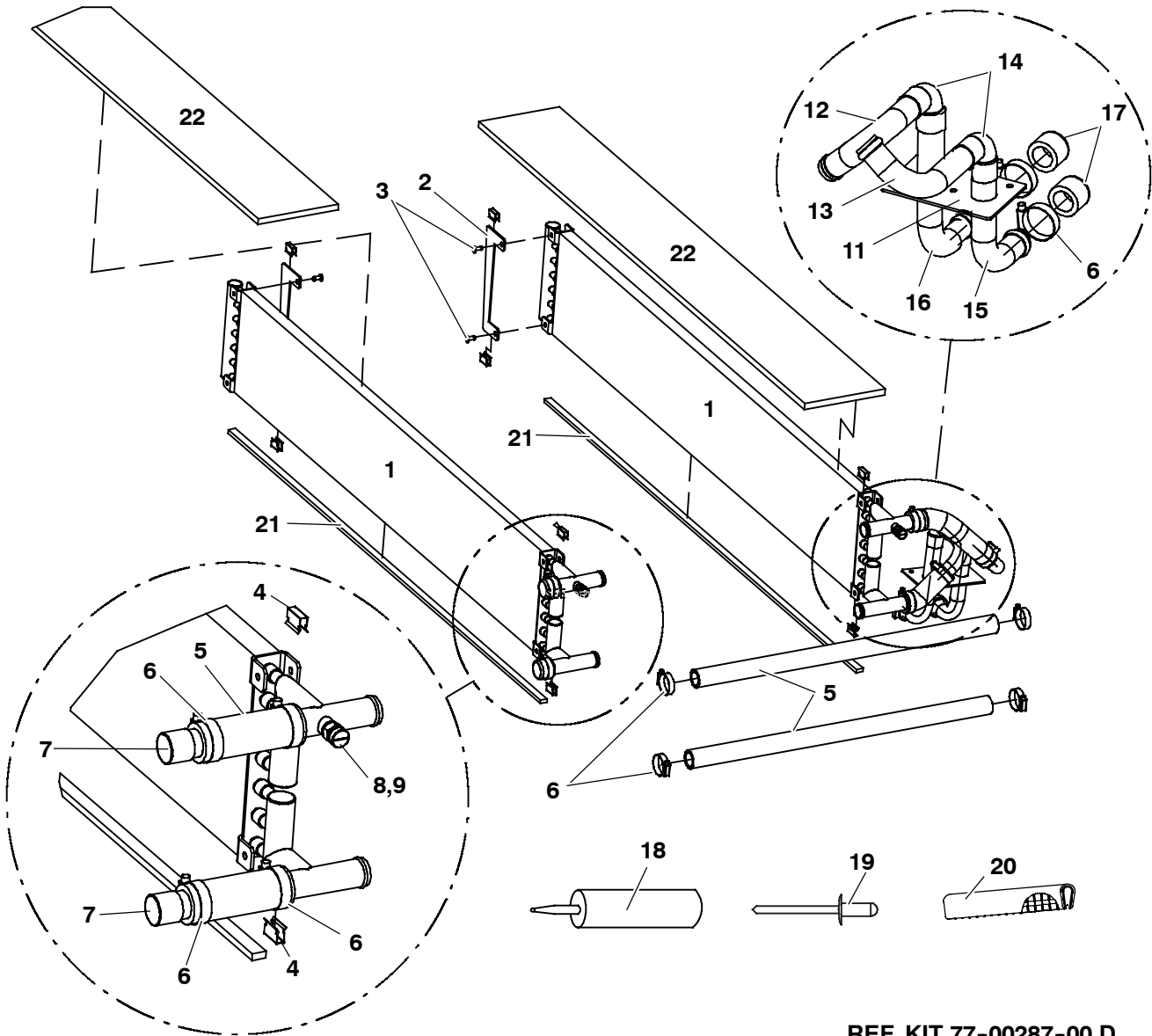
Item	Part Number	Description	Qty
1	42-00243-09	O-Ring, 0.364 ID x 0.070 Thick	1
2	40-00521-00	Cap, Seal ORS 0.375 OD Tube	1



**6 EVAPORATOR HEATING KITS**

**6.1 Evaporator With Heat, Units 68AC430-100, 100-6**

**10: Includes Items 11 Thru 16**



**REF. KIT 77-00287-00 D**

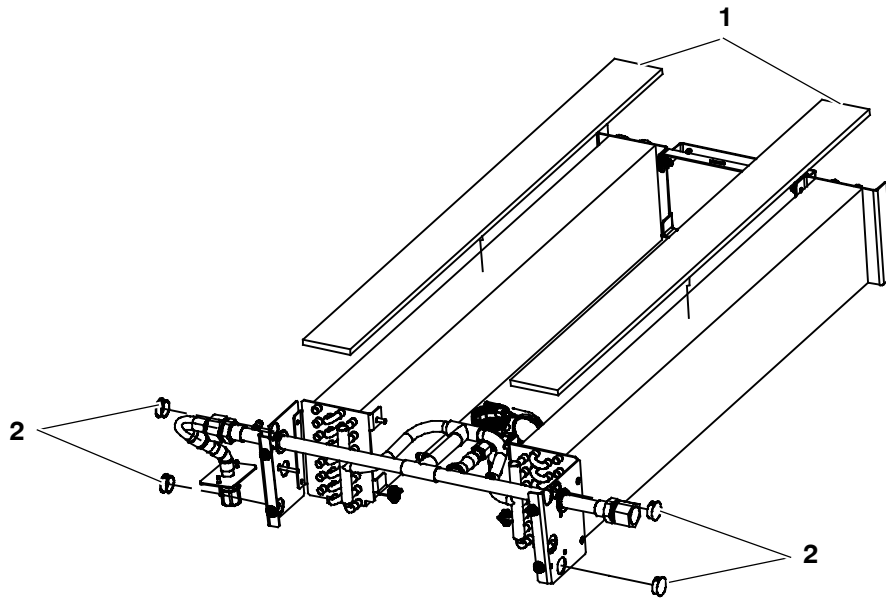
Item	Part Number	Description	Qty
1	08-67030-01	Coil Assembly, Heater (Aluminum/Copper)	2
2	68-67291-00	Plate, Extension, Mounting	2
3	34-00928-13	Rivet, Blind, 0.187 Diameter (Grip Range 0.126 - 0.250)	4
4	44-67003-00	Clamp	8
5	AC301-244	Hose, Heater, Inlet And Outlet, EPDM, 50 Feet Roll	A/R
6	44-62012-02	Clamp, Hose, Worm Type (0.79-1.26), Flared Edge, SST	14
7	81-62178-00	Tube Assembly, Capped, 7/8 OD	2
8	40-67038-00	Valve, Relief, Water	2
9	AC801-201	O-Ring, 0.301 ID x 0.070 Thick	2



**6.1 Evaporator With Heat, Units 68AC430-100, 100-6 - Continued**

Item	Part Number	Description	Qty
10	81-62171-00	Heater Plate Assembly, Heater Coil Connections - Includes:	1
11	68-63863-00	Plate, Tube Support, Brass	1
12	56-62334-00	Tube, Bent, Heater, 7/8 OD x .045W Copper, Bead End	1
13	56-62334-02	Tube, Bent, Heater, 7/8 OD x .045W Copper, Bead End	1
14	40-00071-07	Elbow, 90 Degree, Short Radius, Copper, 7/8 ODS	2
15	56-62334-01	Tube, Bent, Heater, 7/8 OD x .045W Copper, Bead End	1
16	56-62334-03	Tube, Bent, Heater, 7/8 OD x .045W Copper, Bead End	1
17	58-67083-01	Cap, Closed End, 20mm ID	2
18	02-62001-01	Sealant, Adhesive Caulk, White	1
19	34-00774-10	Rivet, Blind, 0.188 Diameter (Grip Range 0.157 - 0.433)	3
20	AC801-415	Gasket, Trimlok, Black	A/R
21	AC801-401	Gasket, Adhesive Backed, 0.19 x 0.38 x 50 Feet Roll, Black	A/R
22	42-62162-00	Gasket, 0.38 Thick x 5.60 x 41.50 Inches Long, Adhesive	2

**6.2 Evaporator Without Heat, Units 68AC430-100-2, 100-7**

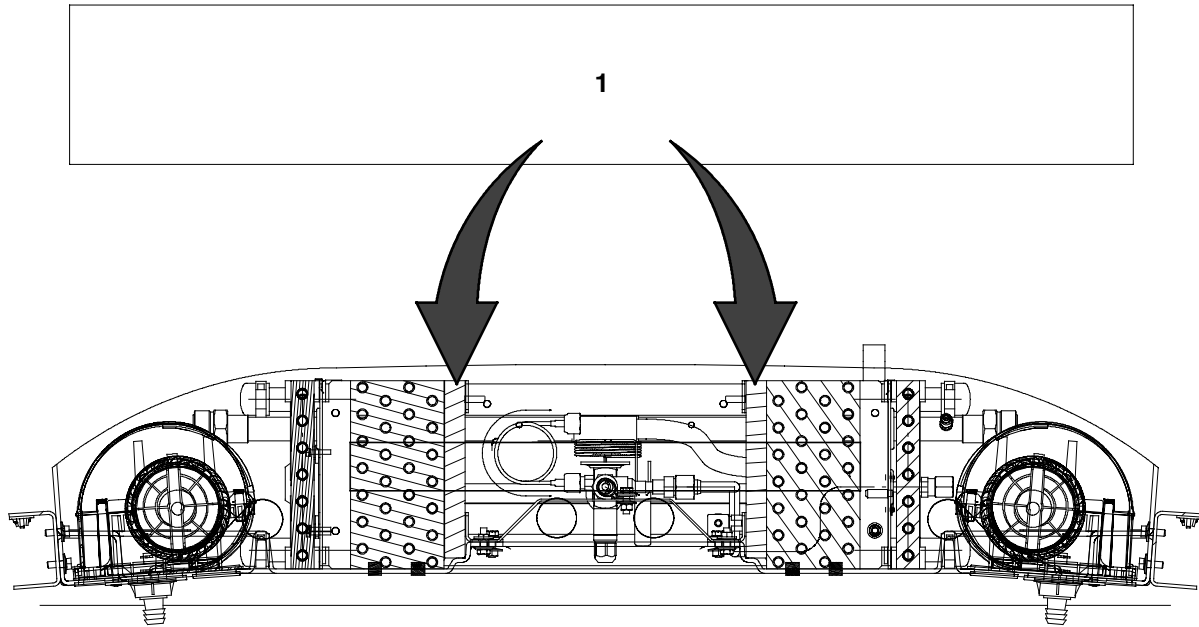


**REF. KIT 77-00287-01 C**

Item	Part Number	Description	Qty
1	42-62162-01	Gasket, 0.38 Thick x 3.50 x 41.50 Inches Long, Adhesive	2
2	58-00616-03	Plug, Hole 1.09 Diameter	4



7 EVAPORATOR FILTER KIT

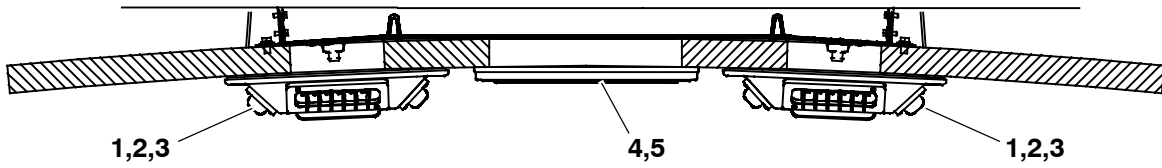


REF. KIT 77-00289-00 A

Item	Part Number	Description	Qty
1	42-62045-03	Filter, Air, Evaporator, Foam, 0.75 Thick x 6.50 x 39.37 Inches	2



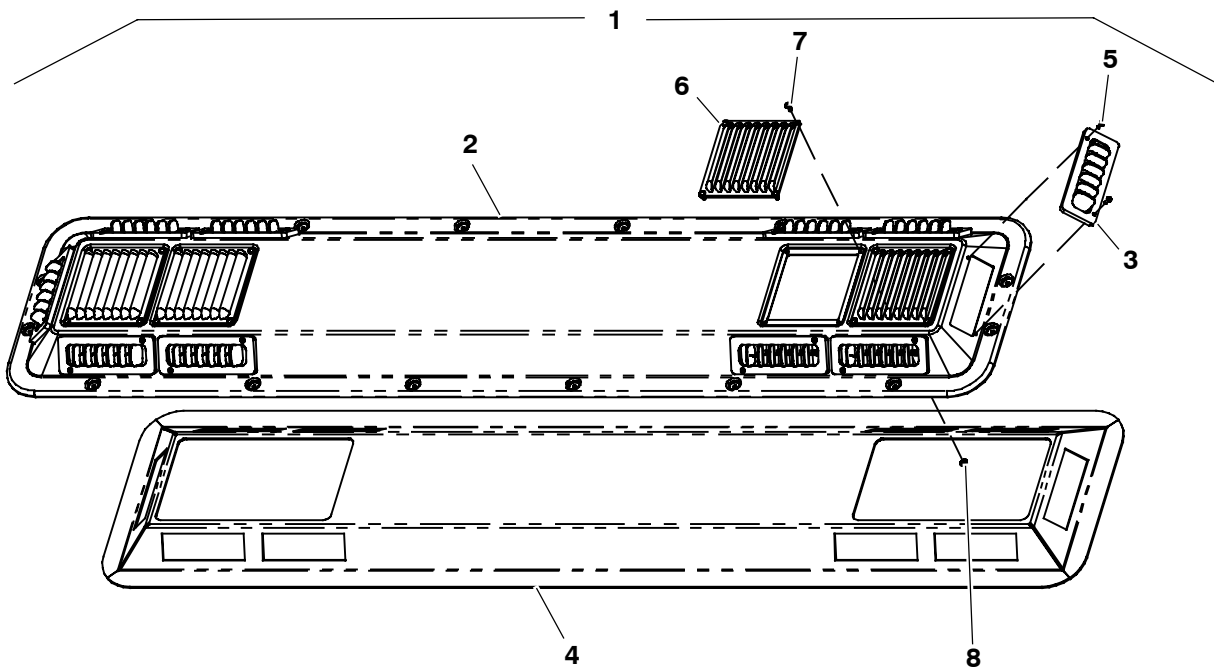
**8 AIR DELIVERY**



REF. KIT 76-62345-00 C

Item	Part Number	Description	Qty
1	79-62124-00	Plenum Assembly, Triflow - See Section 8.1	2
2	AC801-529	Washer, Snap Cap	32
3	58-62217-00	Cap, Snap	32
4	58-62024-00	Return Air Filter and Frame Assembly - See Section 8.2	2
5	34-01317-00	Screw, Pan Head, Phillips, #10-16 x 3/4 Inch Long, Black	16

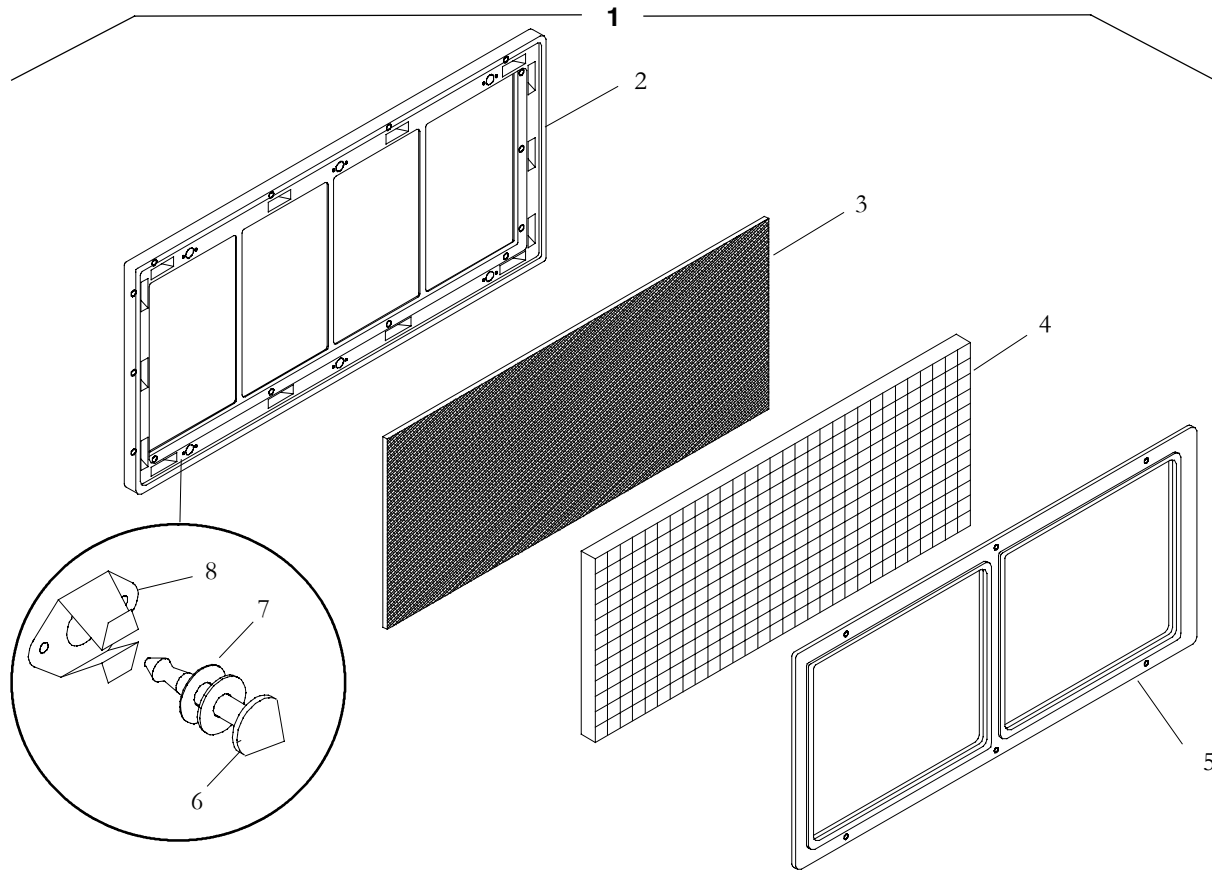
**8.1 Plenum Assembly**



Item	Part Number	Description	Qty
1	79-62124-00	Plenum Assembly, Triflow - Includes:	2
2	58-62213-00	Plenum, Tri-Flow	1
3	58-62211-00	Louver, Rect, Low Profile	10
4	42-62149-00	Insulation, Plenum, Tri-Flow	1
5	34-62077-00	Screw, Oval Head, #6 Countersunk	20
6	58-62202-00	Grille, Outlet, Air Distribution	4
7	34-00774-08	Rivet, Blind, 0.157 Diameter (Grip Range 0.157 - 0.374)	16
8	34-00366-08	Washer, Plain #8	16



### 8.2 Return Air Filter Assembly

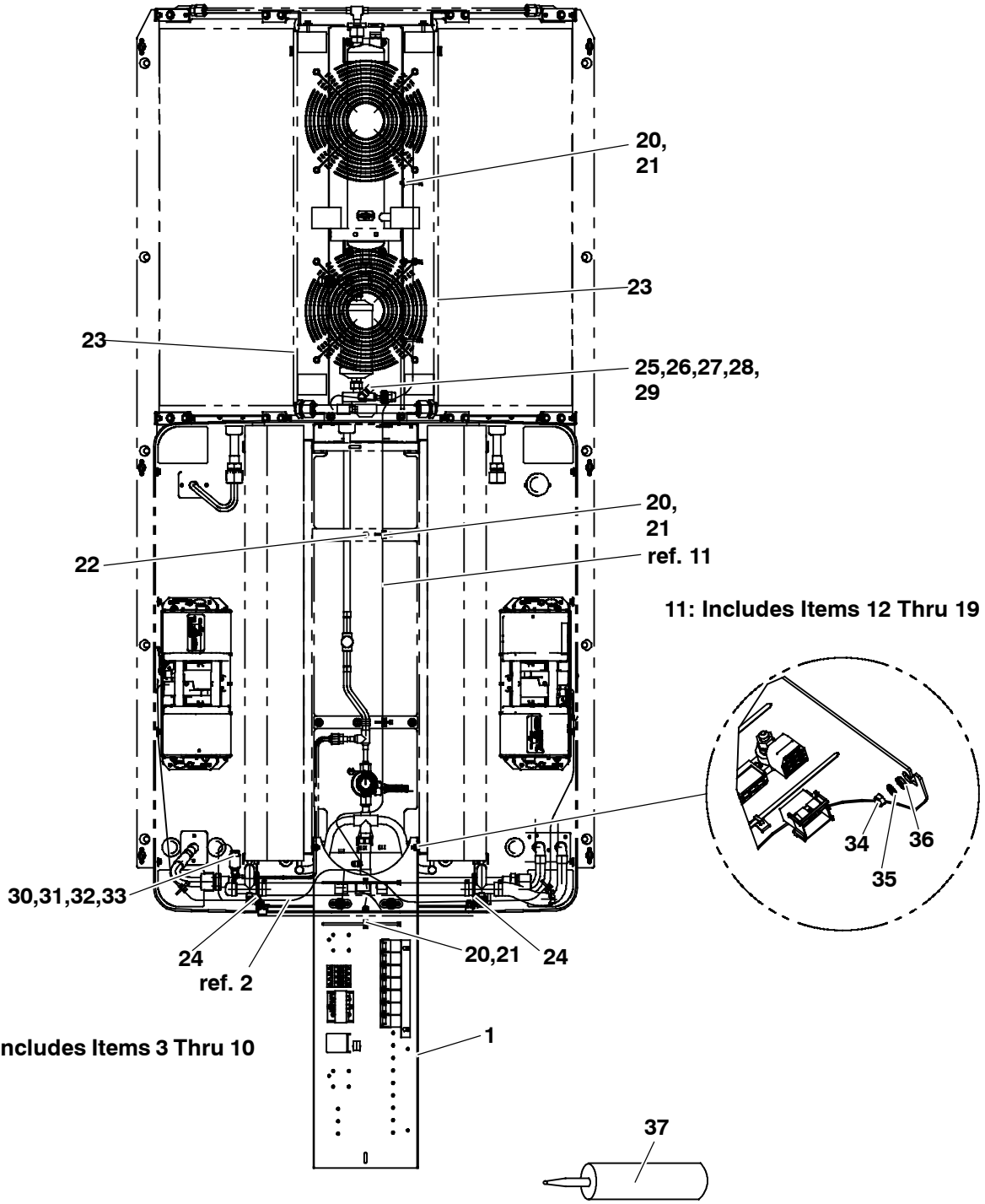


Item	Part Number	Description	Qty
1	58-62024-00	Return Air Filter and Frame Assembly - Includes:	1
2	10-85-03-043	Frame, Composite	1
3	21-08-06-019	Filter Mat, Return Air	1
4	10-85-03-047	Grille, Diffuser, White	1
5	10-85-03-044	Cover, Frame	1
6	32-24-01-058	Bolt, Locking, (1/4 Turn)	6
7	32-24-01-059	Washer, Retaining, Mylar	6
8	32-15-45-002	Clip, Retaining	12





9 ELECTRICAL KIT



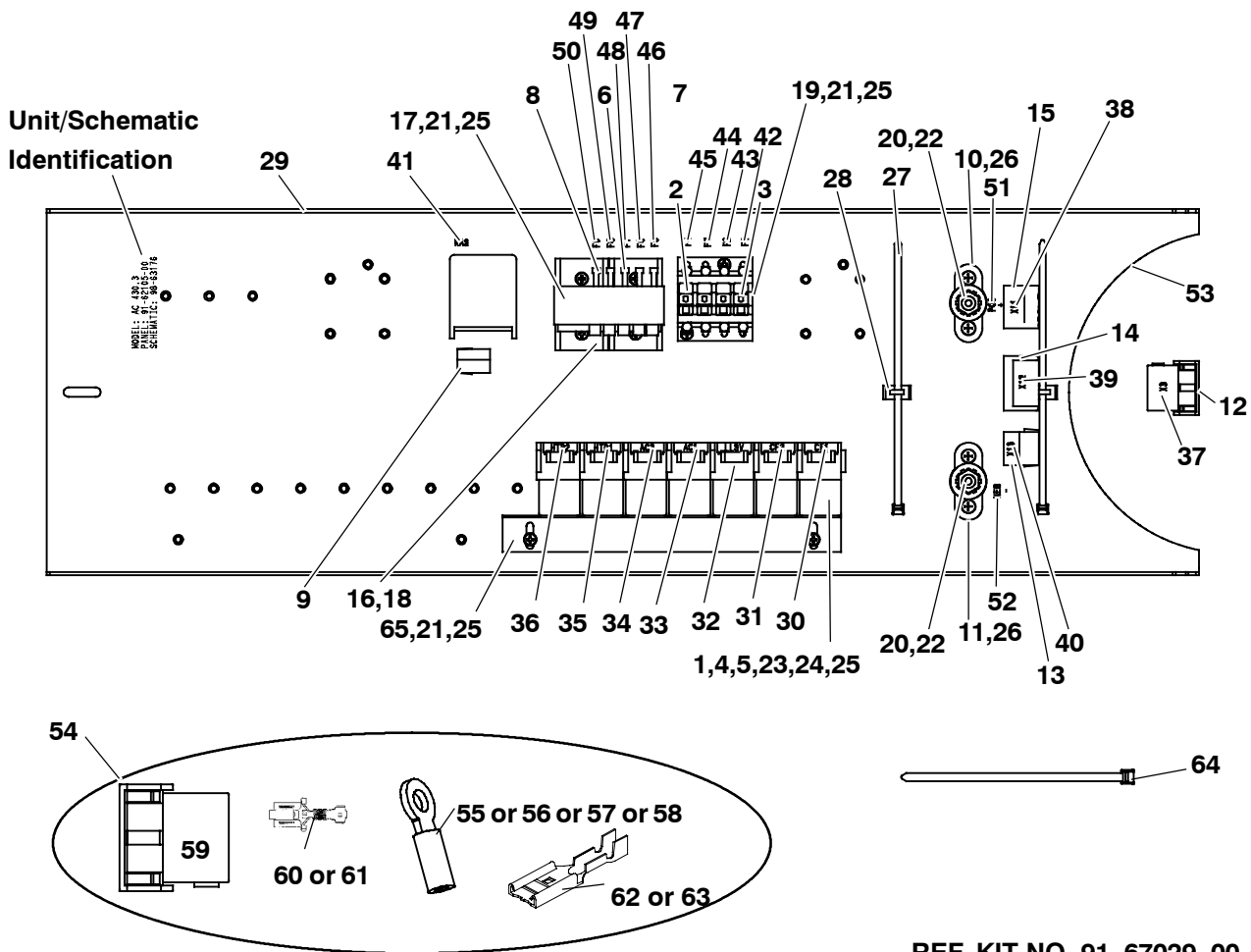
REF. KIT 77-62265-00 B



<b>9 ELECTRICAL KIT - Continued:</b>			
<b>Item</b>	<b>Part Number</b>	<b>Description</b>	<b>Qty</b>
1	91-62105-00	Panel Assembly, Electrical (See Section 10)	1
2	22-62320-00	Wire Harness, Evaporator - Includes:	1
3	22-50098-76	Receptacle, 2 Position	2
4	22-60254-01	Connector, Female, 1 Position	2
5	22-02392-00	Connector, 2 Pin, Black	1
6	22-01566-01	Terminal, Female (18-20 AWG)	2
7	22-02394-02	Seal, Cable, Green (0.06 - 0.08 Cable OD)	2
8	22-60254-35	Connector, Female, 11 Position	1
9	22-60254-09	Connector, Female, 4 Position	1
10	22-00119-06	Terminal, Ring, 3/8, 12-10 Gauge, Yellow	2
11	22-62321-00	Wire Harness, Condenser - Includes:	1
12	22-60254-15	Connector, Female, 8 Position	1
13	22-01585-02	Connector, Male, 2 Pin, Gray	1
14	22-01566-01	Terminal, Female (18-20 AWG)	2
15	22-02394-02	Seal, Cable, Green (0.06 - 0.08 Cable OD)	2
16	22-01585-00	Connector, Male, 2 Pin, Black	2
17	22-50078-58H	Terminal, Female (12 AWG)	4
18	22-02394-01	Seal, Cable, Blue	4
19	58-60298-04	Grommet	1
20	58-04315-00	Base, Ty-Wrap, .250 Diameter Mounting Hole	8
21	58-00079-02	Wire Tie, Self-Locking, 7.50 Inches, Black	21
22	34-01266-20	Screw, Hex Head, Slotted, Sems, M6 x 20mm Long, Zinc	1
23	AC801-415	Gasket, Trimlok, Black	A/R
24	58-60302-05	Grommet, 2.0mm x 21.0mm x 28.0mm	2
25	12-00299-03	Switch, Pressure, High - Includes:	1
26	22-02392-00SV	Connector Kit, 2 Pin - Includes:	1
27	<b>NSS</b>	Connector, 2 Pin, Black	1
28	22-02393-00	Terminal, Male (14-16 AWG)	2
29	22-02394-01	Seal, Cable, Blue	2
30	12-00299-01	Switch, Pressure, Low - Includes:	1
31	22-02392-01	Connector, 2 Pin, Medium Gray	1
32	22-02393-00	Terminal, Male (14-16 AWG)	2
33	22-02394-01	Seal, Cable, Blue	2
34	48-67005-00	Spacer, 6mm ID x 12mm OD x 3mm Thick, Nylon	2
35	34-67007-06	Washer, Flat, M6, SST	2
36	34-01184-06	Nut, Lock, M6 Nylock	2
37	02-62001-01	Sealant, Adhesive Caulk, White	A/R



**10 EVAPORATOR ELECTRICAL KIT (RELAY BOARD)**



REF. KIT NO. 91-67029-00 A

Item	Part Number	Description	Qty
1	10-00286-07	Relay, 12 VDC, SPDT	7
2	10-00479-01	Circuit Breaker, Thermal, 20 Amp	2
3	10-00479-02	Circuit Breaker, Thermal, 25 Amp	2
4	AC201-901	Connector, Relay Socket	7
5	AC201-931	Lock, Connector, Secondary	7
6	22-02336-02	Fuse, 5 Amp	1
7	22-02336-03	Fuse, 3 Amp	2
8	22-02336-04	Fuse, 10 Amp	2
9	22-50098-76	Receptacle, 2 Position	1
10	22-50098-91	Junction Block, 3/8-16 Stud, Red	1
11	22-50098-91A	Junction Block, 3/8-16 Stud, Black	1
12	22-50099-47	Connector, Male, 18 Position	1
13	22-60254-08	Connector, Male, 4 Position	1
14	22-60254-14	Connector, Male, 8 Position	1
15	22-60254-34	Connector, Male, 11 Position	1
16	22-62036-00	Fuse Holder	1
17	22-62038-00	Bracket, Fuse Holder	2
18	22-62039-01	Lock, Secondary, Fuse Holder	10



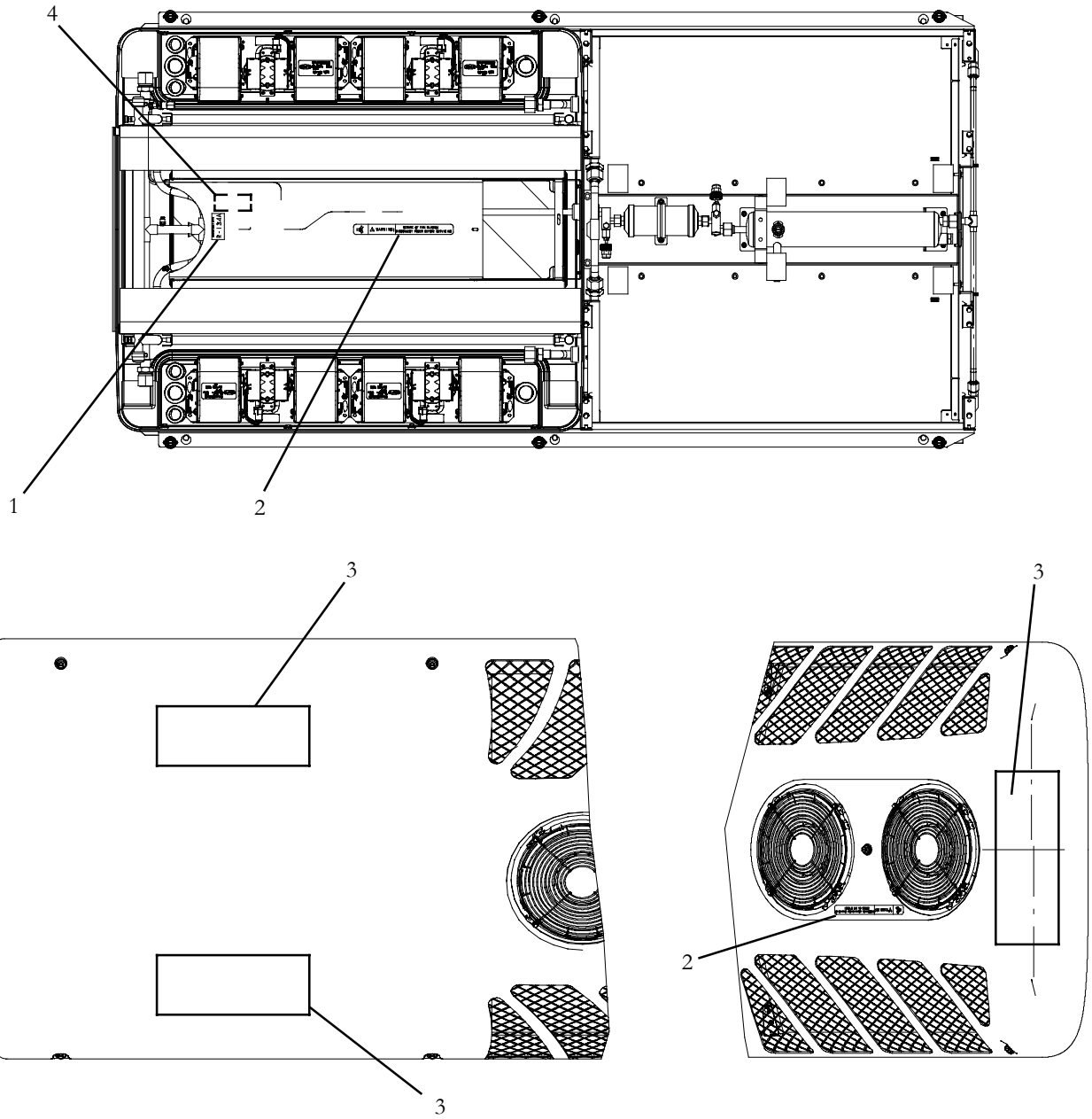
<b>10 EVAPORATOR ELECTRICAL KIT (RELAY BOARD) - Continued</b>			
<b>Item</b>	<b>Part Number</b>	<b>Description</b>	<b>Qty</b>
19	22-62295-00	Fuse Holder	1
20	34-00363-13	Nut, Hex, 3/8-16, Zinc Plated	2
21	34-00371-08	Washer, Lock, #8, Internal Tooth, Zinc Plated	8
22	34-00372-13	Washer, Lock, 3/8, External Tooth	2
23	34-00662-08	Washer, Plain, #8, SST	7
24	34-00663-08	Washer, Split Lock, #8, SST	7
25	34-06132-04	Screw, Mach, Pan Head, #8-32X1/2Lg, SST	15
26	34-62050-04	Screw, Mach, Pan Head, SEMS, #10-32 X 1/2 Long, Ext Tooth, Zinc	4
27	58-00079-02	Wire Tie, Self-Locking, 7.50 Inches, Black	2
28	58-04315-00	Base, Ty-Wrap, .250 Diameter Mounting Hole	2
29	68-63864-00	Panel, Mounting, Electrical	1
30	62-62041-36	Label, <b>Cf1</b>	1
31	62-62041-37	Label, <b>Cf2</b>	1
32	62-62041-38	Label, <b>Llsv</b>	1
33	62-62041-39	Label, <b>Ac1</b>	1
34	62-62041-40	Label, <b>Ac2</b>	1
35	62-62041-41	Label, <b>Htr1</b>	1
36	62-62041-42	Label, <b>Htr2</b>	1
37	62-62041-43	Label, <b>X3</b>	1
38	62-62041-44	Label, <b>X11</b>	1
39	62-62041-45	Label, <b>X12</b>	1
40	62-62041-46	Label, <b>X13</b>	1
41	62-62041-47	Label, <b>Ras</b>	1
42	62-62041-48	Label, <b>F1</b>	1
43	62-62041-49	Label, <b>F2</b>	1
44	62-62041-50	Label, <b>F3</b>	1
45	62-62041-51	Label, <b>F4</b>	1
46	62-62041-52	Label, <b>F5</b>	1
47	62-62041-53	Label, <b>F6</b>	1
48	62-62041-54	Label, <b>F7</b>	1
49	62-62041-55	Label, <b>F8</b>	1
50	62-62041-56	Label, <b>F9</b>	1
51	62-62041-04	Label, <b>Pos +</b>	1
52	62-62041-05	Label, <b>Neg -</b>	1
53	AC801-415	Gasket, Trimlok, Black	1
54	22-62319-00	Wire List, Control Panel - Includes:	1
55	22-00119-01	Terminal, Ring, #6, 12-10 Gauge, Yellow	8
56	22-00119-06	Terminal, Ring, 3/8, 12-10 Gauge, Yellow	8
57	22-00121-10	Terminal, Ring, 3/8, 22-16 Gauge, Red	2
58	22-01139-04	Terminal, Ring, 3/8, 16-14 Gauge, Blue	1
59	22-50099-47A	Terminal, Tab Contact	12



<b>10 EVAPORATOR ELECTRICAL KIT (RELAY BOARD) - Continued</b>			
<b>Item</b>	<b>Part Number</b>	<b>Description</b>	<b>Qty</b>
60	22-50252-00	Terminal, Female (Metri-Pack)	14
61	22-50333-00	Terminal, Female (Metri-Pack)	24
62	22-60254-28	Terminal, Female, .25 Faston	6
63	22-60254-32	Terminal, Female, .25 Faston	9
64	58-00079-04	Sta-Strap 0-1.25" Diameter Cable	4
65	68-63879-00	Panel, Mounting	1



11 DECAL KIT



REF. KIT 77-62238-00 A

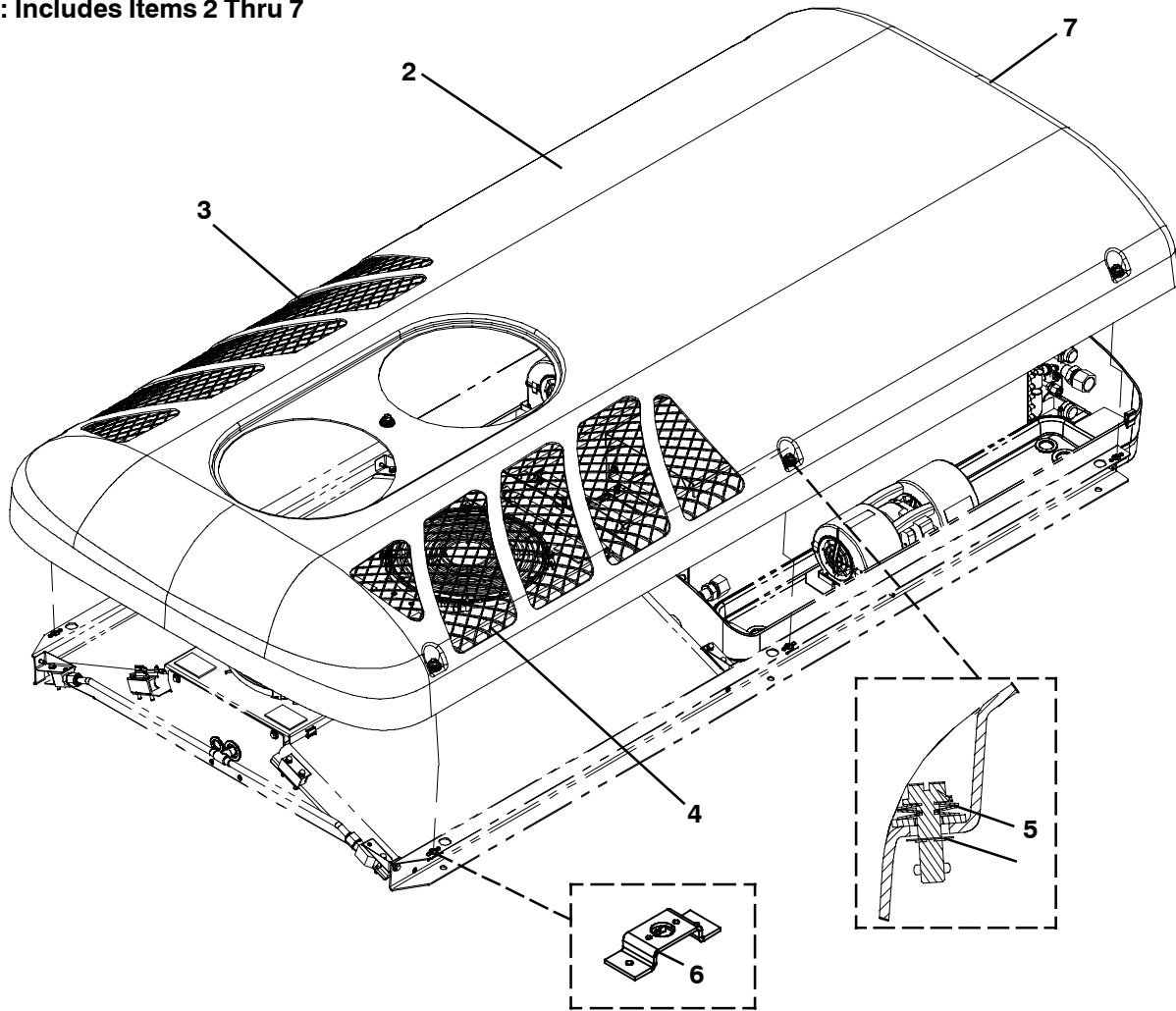
Item	Part Number	Description	Qty
1	62-62039-00	Label, Refrigerant, <b>CHARGE ONLY WITH R-134a</b>	1
2	62-62045-00	Label, <b>WARNING: BEWARE OF FAN BLADES!</b>	2
3	62-03882-01	Decal, <b>MOBILE CLIMATE CONTROL</b>	3
4	-	Decal, Warranty I.D. (Pid And Model/Serial Number)	1



12 COVER KITS

12.1 Cover Kit, Units 68AC430-100, 100-2

1: Includes Items 2 Thru 7



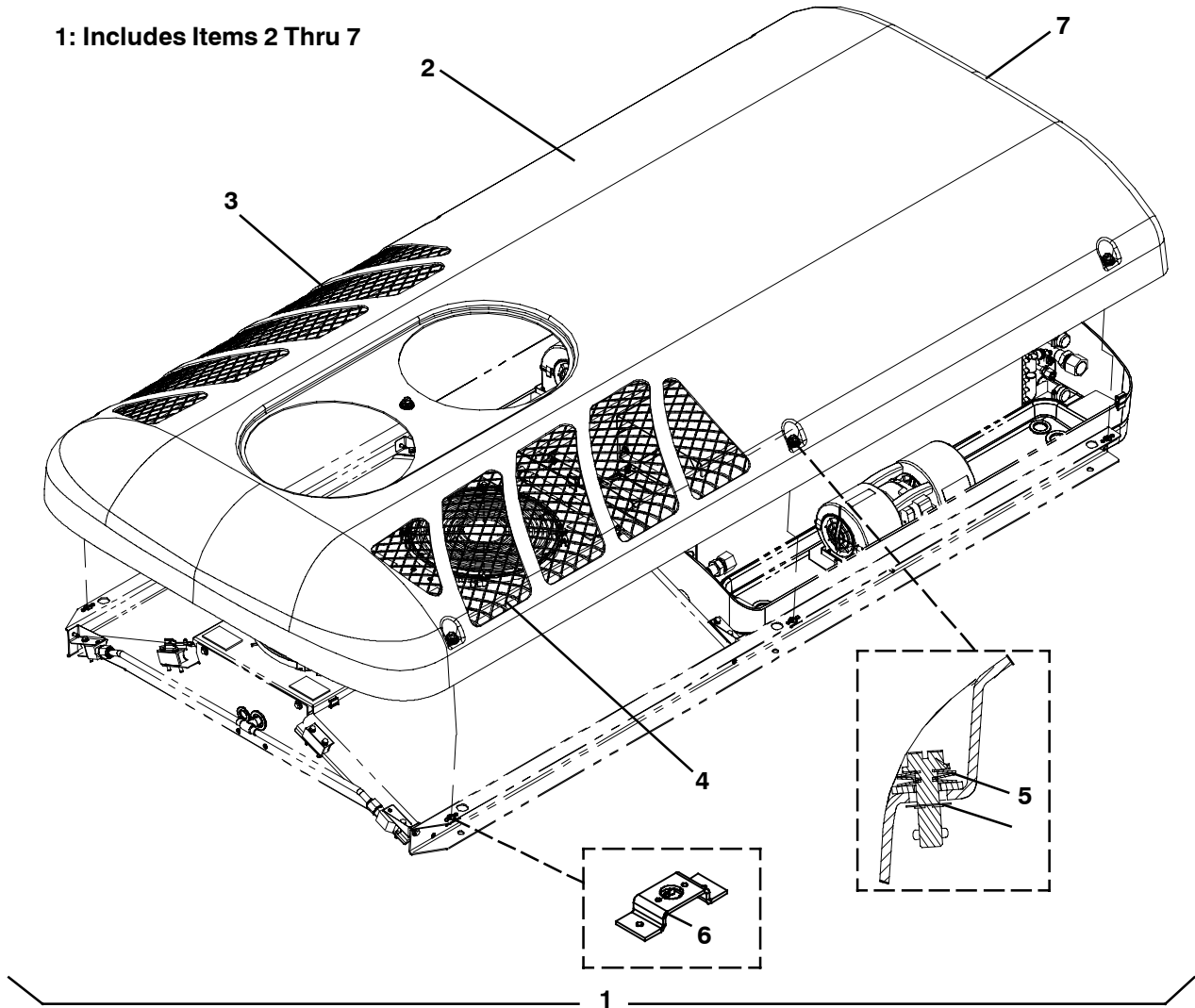
REF. KIT 77-62246-00 A

Item	Part Number	Description	Qty
1	79-62135-00	Cover Assembly, AC430 R4.6 - Includes:	1
2	58-62221-00	Cover AC430 R4.6	1
3	73-67020-00	Grille, Condenser (Curb Side)	1
4	73-67020-01	Grille, Condenser (Road Side)	1
5	34-67009-01	Stud, Captive, With Disc and Flat Washers	7
6	34-67022-00	Receptacle, Locking Plate	7
7	42-67003-07	Insulation, Cover, Adhesive Backed, Gray	1



12.2 Cover Kit, Units 68AC430-100-6, 100-7

1: Includes Items 2 Thru 7



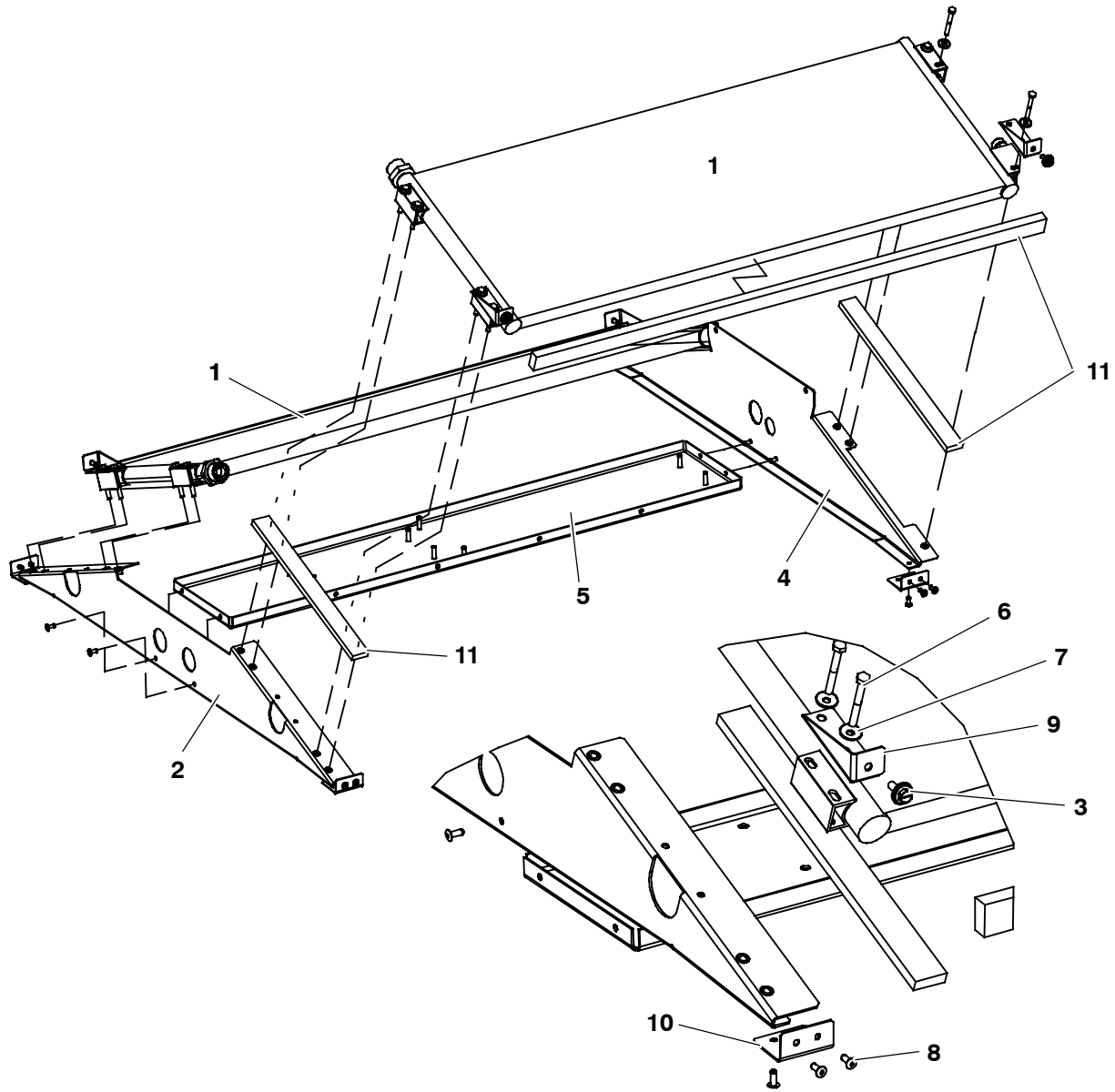
REF. KIT 77-62246-01 B

Item	Part Number	Description	Qty
1	79-62135-01	Cover Assembly, AC430 R7.8- Includes:	1
2	58-62221-01	Cover AC430 R7.8	1
3	73-67020-00	Grille,Condenser (Curb Side)	1
4	73-67020-01	Grille,Condenser (Road Side)	1
5	34-67009-01	Stud, Captive, With Disc and Flat Washers	7
6	34-67022-00	Receptacle, Locking Plate	7
7	42-67003-07	Insulation, Cover, Adhesive Backed, Gray	1





**13 CONDENSER KIT - (1-CIRCUIT)**

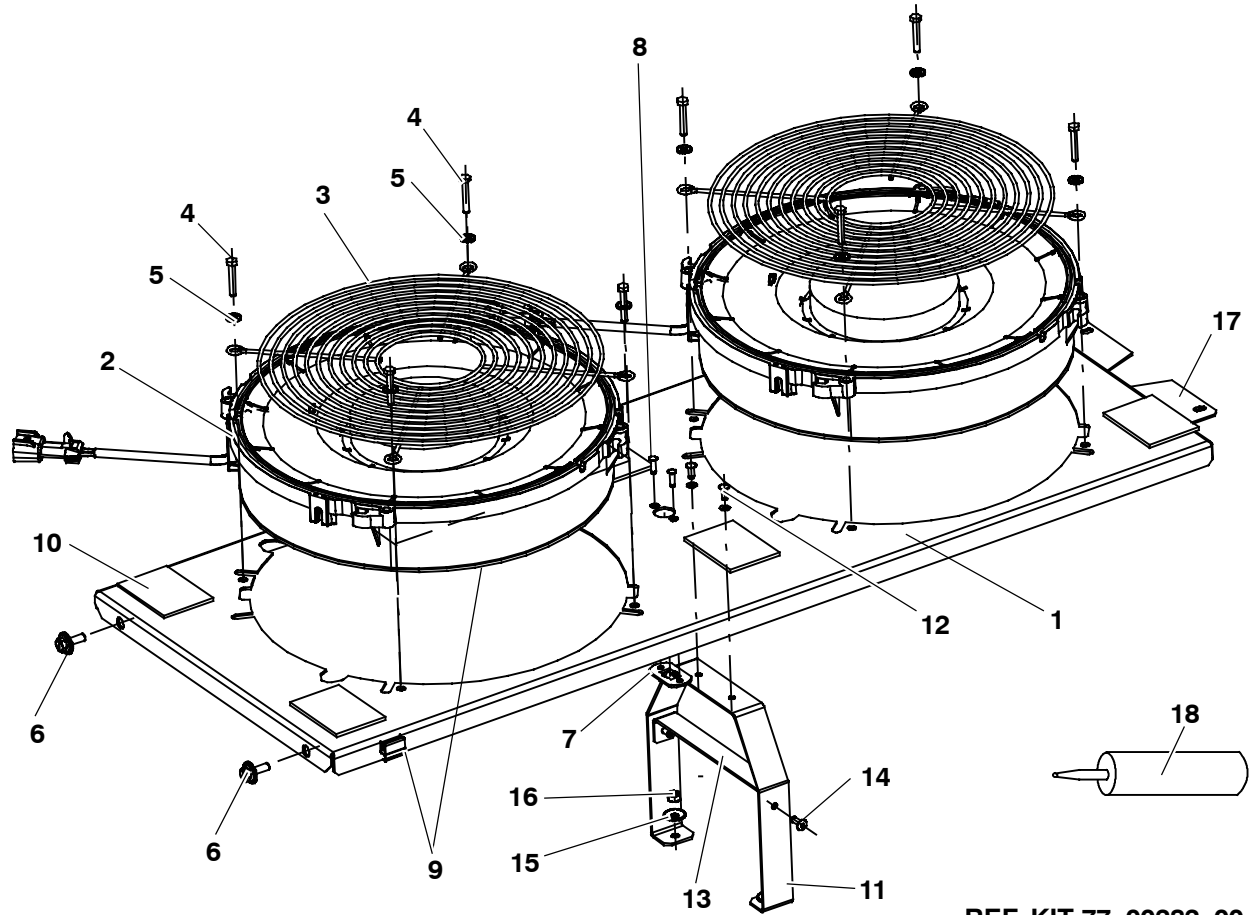


**REF. KIT 77-00281-00 C**

Item	Part Number	Description	Qty
1	08-67033-00	Coil Assembly, Condenser, MCHX (Aluminum)	2
2	67-67269-00	Bracket 2.0mm Thick Aluminum	1
3	34-01266-20	Screw, Hex Head, Slotted, SEMS, M6 X 20mm Long, SST	4
4	67-67276-00	Bracket, 2.0mm Thick, Aluminum	1
5	68-63865-00	Bracket, 14 Guage Thick, Steel	1
6	34-00967-45	Screw, Cap, Hex Head, M6 x 45mm	14
7	34-60095-46	Washer, Lock, M6 X 18mm OD	14
8	34-00928-13	Rivet, Blind, 0.187 Diameter (Grip Range 0.126 - 0.250)	16
9	67-67300-00	Bracket, 1.5mm Thick, Steel	4
10	68-67318-00	Bracket, 1.5mm Thick, Steel	4
11	42-67009-100	Gasket, 0.39 Thick x 1.18 x 78.74 Inches Long, Adhesive	2



14 CONDENSER FAN AND MOTOR KIT

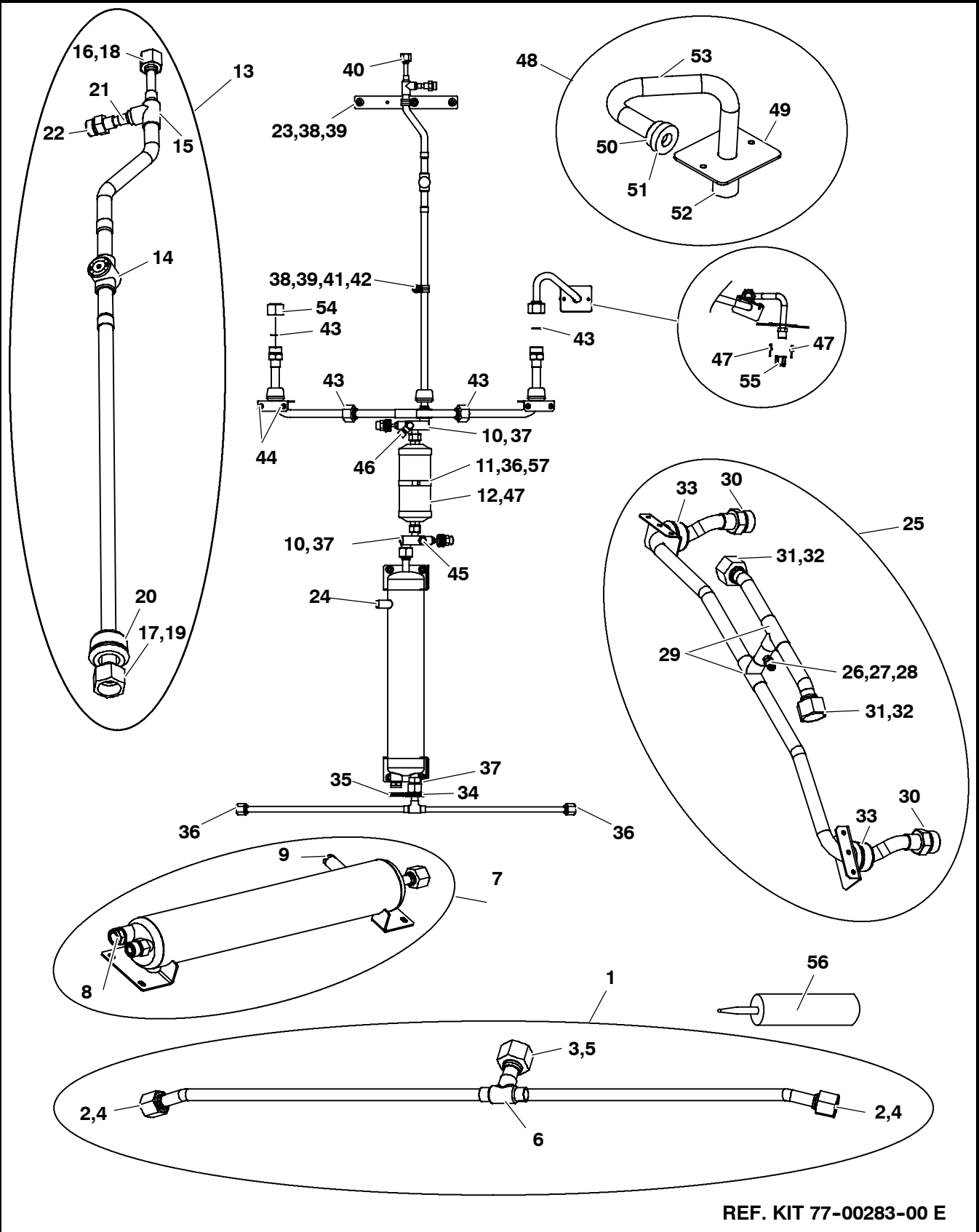


REF. KIT 77-00282-00 D

Item	Part Number	Description	Qty
1	67-67277-00	Panel, Fan Deck	1
2	54-00622-01	Fan And Motor Assembly, Condenser, 12VDC, Permanent Magnet	2
3	73-67002-00	Grill, Condenser Fan	2
4	34-60000-30	Screw, Machine, Hex Head, M5 x 30mm	8
5	34-60095-45	Washer, Lock, M5 x 16mm OD	8
6	34-01266-20	Screw, Hex Head, Slotted, SEMS, M6 X 20mm Long, SST	4
7	34-62016-00	Plate, Locking, Cover Mounting	1
8	34-00999-04	Rivet, Blind, Countersunk Head, 0.156 Inch Diameter (Grip Range 0.188 - 0.250)	2
9	AC801-412	Gasket, Trimlok With Bulb, Black	A/R
10	42-67017-100	Gasket, Coil, Nitrile Rubber, 0.12 T x 1.97 W x 590 Inches Long, Adhesive	A/R
11	68-67335-00	Bracket, Fan Deck Support	1
12	34-00999-06	Rivet, Blind, Countersunk Head, 0.187 Diameter (Grip Range 0.126 - 0.250)	2
13	68-67336-00	Bracket, Support	1
14	34-00928-13	Rivet, Blind, 0.187 Diameter (Grip Range 0.126 - 0.250)	4
15	34-60095-46	Washer, Lock, M6 X 18mm OD	2
16	34-01184-06	Nut, Lock, M6 Nylock	2
17	67-67283-00	Bracket, Fan Deck Mounting	1
18	02-62001-01	Sealant, Adhesive Caulk, White	A/R



15 PIPING KIT





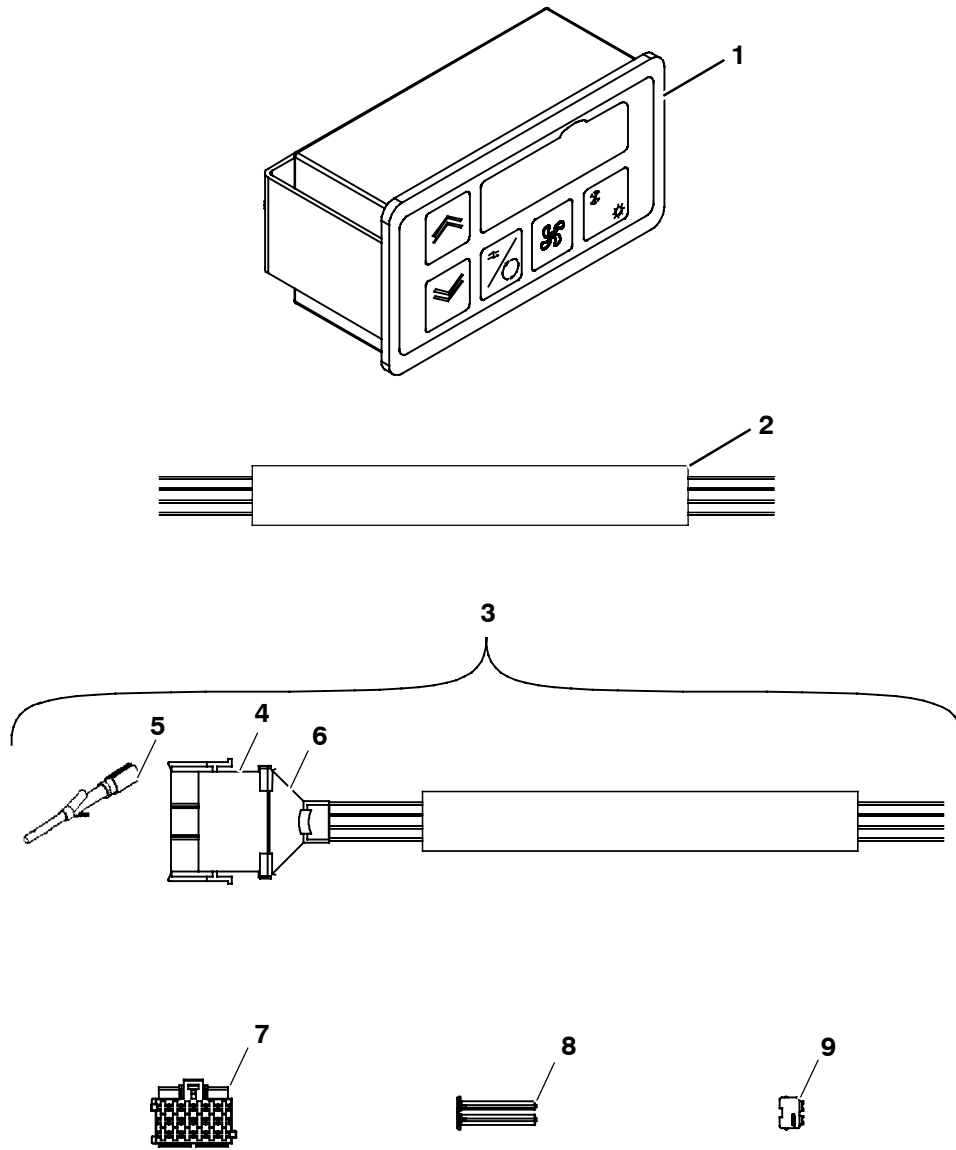
<b>15 PIPING KIT - Continued</b>			
<b>Item</b>	<b>Part Number</b>	<b>Description</b>	<b>Qty</b>
1	81-67155-00	Tube Assembly, Liquid Line - Includes:	1
2	40-60009-03	Nut, ORS, #8 X 1/2" Tube	2
3	40-60009-04	Nut, ORS, #10 X 5/8" Tube	1
4	40-60008-03	Sleeve, ORS, 1/2" Tube	2
5	40-60008-04	Sleeve, ORS, 5/8" Tube	1
6	40-00169-24	Tee, Reducing, 1/2 X 1/2 X 5/8	1
7	65-67005-00	Receiver Assembly, Refrigerant - Includes:	1
8	14-00111-00	Sight Glass, Receiver, (White Ball Float)	1
9	14-01032-01	Plug, Fusible, Safety, 3/8 NPTF	1
10	14-00343-01	Valve, Service, 1/2 ORSF Inlet x 5/8 ORSF Outlet	2
11	14-00326-05	Drier, Filter, 1/2 ORS - Includes:	1
12	AC033-115	Channel, Mounting, Filter Drier	1
13	81-67157-00	Tube Assy, Liquid Line - Includes:	1
14	14-01092-14	Indicator, Moisture & Liquid, 5/8 ODF X 5/8 ODF	1
15	40-00169-18	Tee, Reducing 5/8 X 3/8 X 5/8	1
16	40-60009-02	Nut, ORS, #6 X 3/8 Tube	1
17	40-60009-04	Nut, ORS, #10 X 5/8" Tube	1
18	40-60008-02	Sleeve, ORS, 3/8" Tube	1
19	40-60008-04	Sleeve, ORS, 5/8" Tube	1
20	58-60298-04	Grommet	1
21	40-00090-07	Reducer, 5/8 ODF X 3/8 ODS	1
22	40-60007-02	Fitting, ORFS 3/8" ODF	1
23	68-63868-00	Bracket, Liquid Tube Assembly	1
24	14-01032-01	Plug, Fusible, Safety, 3/8 NPTF	1
25	81-62172-00	Tube Assembly, Discharge Line - Includes:	1
26	40-01124-00	Body, Valve, Brass, 1/4 SAE Flare - Includes:	1
27	14-00351-00	Core, Access Valve (Nickel Plated)	1
28	DD19CA061	Cap, Seal Flare, 1/4 Inch	1
29	40-00168-06	Tee 3/4S X 3/4S X 3/4S	2
30	40-60007-05	Fitting, ORFS 3/4 ODF	2
31	40-60009-05	Nut, ORS, #12 X 3/4 Tube	2
32	40-60008-05	Sleeve, ORS, 3/4" Tube	2
33	58-60298-04	Grommet	2
34	58-60302-06	Grommet, 2.0mm x 29.0mm x 37.0mm	1
35	58-00616-03	Plug, Hole 1.09 Diameter X .12 Panel	1
36	42-00243-04	O-Ring, 0.489 ID x 0.070 Thick	4
37	42-00243-03	O-Ring, 0.614 ID x 0.070 Thick	3
38	34-60095-46	Washer, Lock, M6 X 18mm OD	8
39	34-01184-06	Nut, Lock, M6 Nylock	8
40	42-00243-09	O-Ring, 0.364 ID x 0.070 Thick	1



<b>15 PIPING KIT - Continued</b>			
<b>Item</b>	<b>Part Number</b>	<b>Description</b>	<b>Qty</b>
41	34-00373-07	Clamp, Tube, Insulated, 5/8 Inch, SST	2
42	34-01266-20	Screw, Hex Head, Slotted, SEMS, M6 X 20mm Long, SST	4
43	42-00243-11	O-Ring, 0.739 ID x 0.070 Thick	4
44	34-00928-13	Rivet, Blind, 0.187 Diameter (Grip Range 0.126 - 0.250)	4
45	40-60042-01	Fitting, Straight, 7/16-20 Female, High Pressure Side	1
46	40-60044-00	Fitting, 90 Degree, 7/16-20 Female, High Pressure Side	1
47	34-00774-02	Rivet, Blind, 0.188 Diameter (Grip Range 0.187 - 0.437)	6
48	81-62168-00	Tube Assembly, Discharge Line, (Road Side) - Includes:	1
49	68-63841-00	Plate, Mounting, Feed thru, Discharge	1
50	40-00503-04	Collar, Tube, 5/8 ORS, Nickel Plated Steel	1
51	40-60009-05	Nut, ORS, #12 X 3/4 Tube	1
52	40-62032-01	Fitting, Swivel Nut, 5/8 x 7/8-14 M.I.O.	1
53	56-62332-00	Tube, Discharge, ORS To Pilot O-Ring	1
54	40-00521-04	Cap, Seal 1-3/16-12 ORS, 0.625 OD Tube	1
55	58-62226-01	Cap - 7/8-14 UNF	1
56	02-62001-01	Sealant, Adhesive Caulk, White	A/R
57	44-00045-19	Clamp, Hose, Worm Type (2.56-3.50)	1



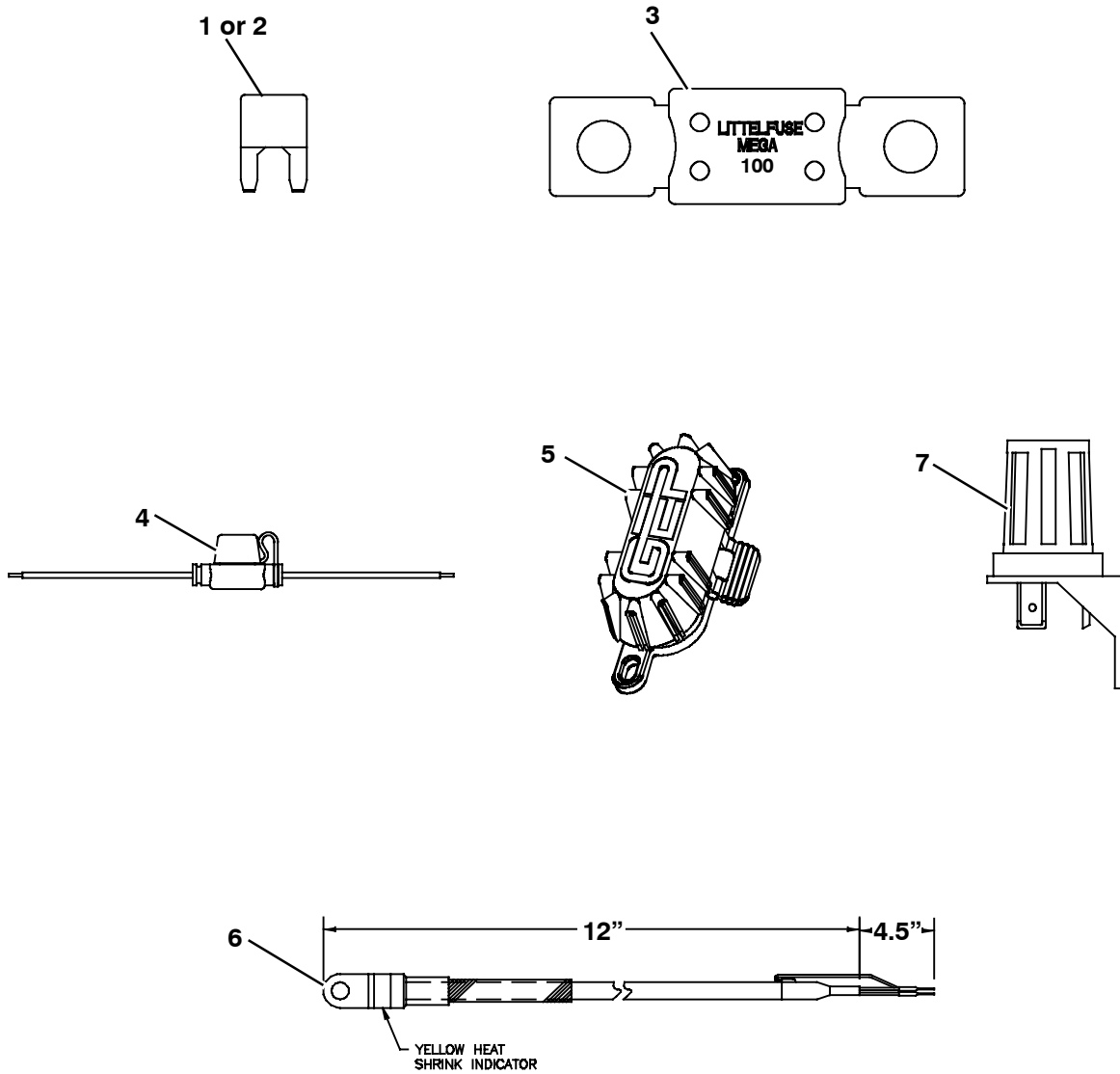
16 CONTROL PANEL AND HARNESS



Item	Part Number	Description	Qty
1	12-00642-05	Module, Controller / Drivers Display (BT324)	1
2	22-62311-00	Wire Harness, Controller/ Display (600 inches)	1
	22-62311-01	Wire Harness, Controller/ Display (312 inches)	
3	22-62322-00	Wire Harness, Controller/ Display (396 inches) - Includes:	1
4	22-50099-11	Connector, Male, 24 Position	1
5	22-50099-10	Terminal, Pin, Male (16-18 AWG)	24
6	22-50099-12	Strain Relief Hood	1
7	22-50099-46	Connector, Female, 18 Position	1
8	22-50099-46A	Terminal, Female (18 AWG)	18
9	22-50099-46C	Lock, Secondary	1



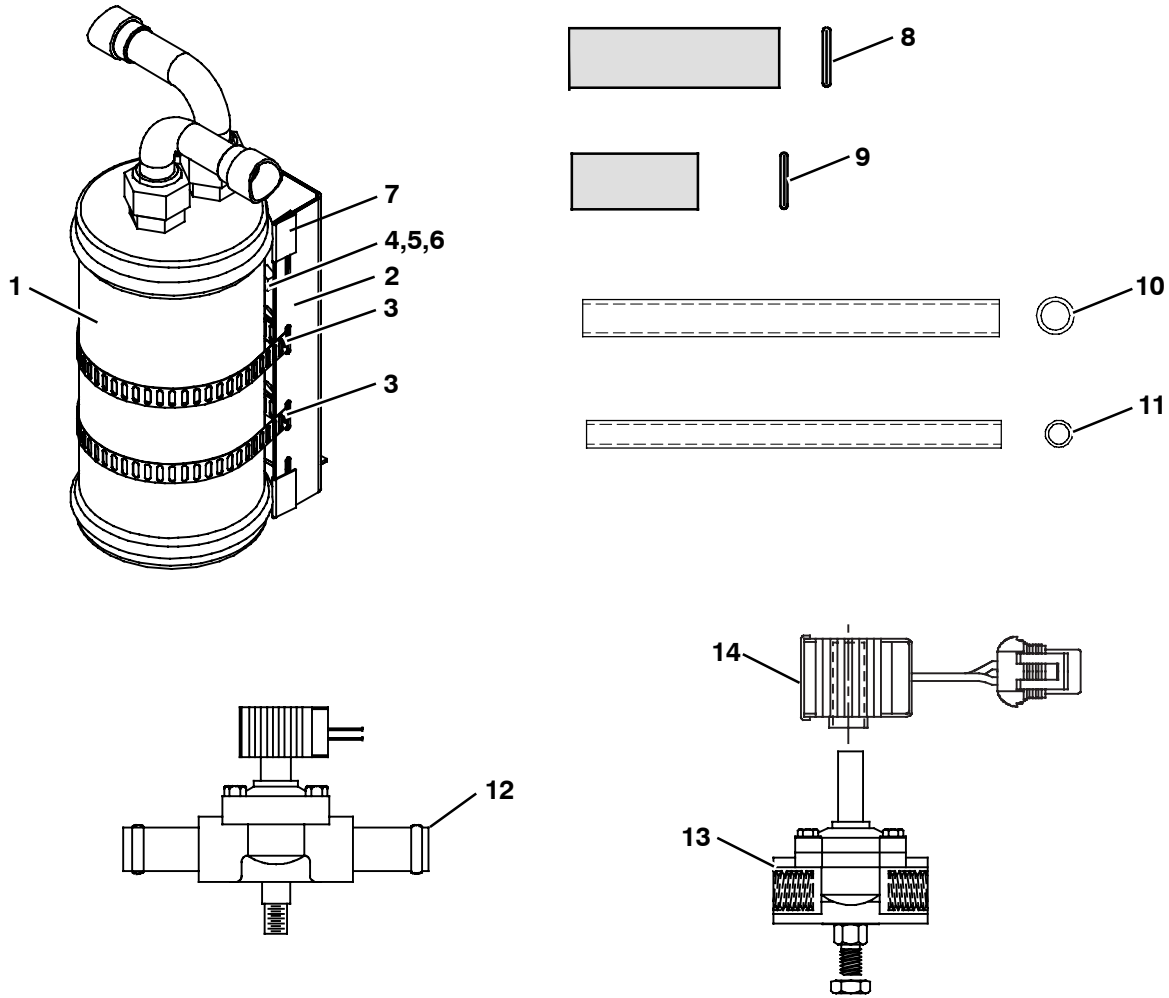
17 ELECTRIC COMPONENTS



Item	Part Number	Description	Qty
1	22-02336-18	Fuse, 2A	
2	22-02336-19	Fuse, 3A	
3	22-02336-31	Fuse, 100A, Mega	
4	22-02338-03	Holder, Fuse, With Cap	
5	22-02898-00	Fuse, Holder, Mega Fuse/Cover	
6	22-62271-01	Sensor, Ambient - ATS	
7	12-00696-00	Thermistor, NTC Type	



18 MISCELLANEOUS COMPONENTS



Item	Part Number	Description	Qty
1	65-62004-00	Accumulator, Suction Line	1
2	68-63588-00	Bracket, Accumulator, Painted	1
3	44-00045-30	Clamp, Accumulator	2
4	34-00615-08	Screw, Cap, Hex Head, 5/16-18 X 1.00 Inch Long, Grade 8	2
5	34-00588-12	Washer, Plain, 5/16	4
6	34-00361-12	Nut, Self Locking, 5/16-18	2
7	AC801-412F25	Gasket, Trimlock, Black (25 Foot Roll)	1
8	AC301-226	Hose, Condensate Valve, 1.60 Inch X 7.25 inch Long (Kazoo)	A/R
9	AC301-240	Hose, Condensate Valve, 1.25 Inch X 3 inch Long (Kazoo)	A/R
10	AC301-236	Hose, Drain, 1 Inch ID X 50 Feet Long	A/R
11	AC301-239	Hose, Drain, 0.625 Inch ID X 50 Feet Long	A/R
12	14-00194-02	Valve, Solenoid, Coolant, 7/8 OD Tube (w/ Coil)	1
NS	14-50036-00	Repair Kit, Solenoid Valve (Used with Item 12)	1
13	14-00299-00	Valve, Solenoid, Coolant, 3/4 FPT (w/o Coil)	1
14	14-01110-01	Coil, Solenoid Valve, 12 VDC	1





# INDEX

PART NUMBER PAGE NUMBER

## 0

02-00067-00 ..... 2  
 02-62001-01 ..... 2, 6, 9, 14, 22, 25  
 08-67029-00 ..... 5  
 08-67030-01 ..... 8  
 08-67033-00 ..... 21

## 1

10-00286-07 ..... 15  
 10-00479-01 ..... 15  
 10-00479-02 ..... 15  
 10-85-03-043 ..... 12  
 10-85-03-044 ..... 12  
 10-85-03-047 ..... 12  
 12-00299-01 ..... 14  
 12-00299-03 ..... 14  
 12-00642-05 ..... 26  
 12-00696-00 ..... 27  
 14-00111-00 ..... 24  
 14-00194-02 ..... 28  
 14-00299-00 ..... 28  
 14-00326-05 ..... 24  
 14-00343-01 ..... 24  
 14-00344-00 ..... 5  
 14-00351-00 ..... 24  
 14-01032-01 ..... 24  
 14-01092-14 ..... 24  
 14-01110-01 ..... 28  
 14-50036-00 ..... 28

## 2

21-08-06-019 ..... 12  
 22-00119-01 ..... 16

PART NUMBER PAGE NUMBER

22-00119-06 ..... 14, 16  
 22-00121-10 ..... 16  
 22-01139-04 ..... 16  
 22-01566-01 ..... 14  
 22-01585-00 ..... 14  
 22-01585-02 ..... 14  
 22-02336-02 ..... 15  
 22-02336-03 ..... 15  
 22-02336-04 ..... 15  
 22-02336-18 ..... 27  
 22-02336-19 ..... 27  
 22-02336-31 ..... 27  
 22-02338-03 ..... 27  
 22-02392-00 ..... 14  
 22-02392-00SV ..... 14  
 22-02392-01 ..... 14  
 22-02393-00 ..... 14  
 22-02394-01 ..... 14  
 22-02394-02 ..... 14  
 22-02898-00 ..... 27  
 22-50078-58H ..... 14  
 22-50098-76 ..... 14, 15  
 22-50098-91 ..... 15  
 22-50098-91A ..... 15  
 22-50099-10 ..... 26  
 22-50099-11 ..... 26  
 22-50099-12 ..... 26  
 22-50099-46 ..... 26  
 22-50099-46A ..... 26  
 22-50099-46C ..... 26  
 22-50099-47 ..... 15  
 22-50099-47A ..... 16  
 22-50252-00 ..... 17  
 22-50333-00 ..... 17  
 22-60254-01 ..... 14



# INDEX

PART NUMBER	PAGE NUMBER
22-60254-08	15
22-60254-09	14
22-60254-14	15
22-60254-15	14
22-60254-28	17
22-60254-32	17
22-60254-34	15
22-60254-35	14
22-62036-00	15
22-62038-00	15
22-62039-01	15
22-62271-01	27
22-62295-00	16
22-62311-00	26
22-62311-01	26
22-62319-00	16
22-62320-00	14
22-62321-00	14
22-62322-00	26

## 3

32-15-45-002	12
32-24-01-058	12
32-24-01-059	12
34-00361-12	28
34-00363-13	16
34-00366-08	11
34-00366-09	2
34-00371-08	16
34-00372-13	16
34-00373-07	25
34-00588-12	28
34-00615-08	28
34-00662-08	4, 16

PART NUMBER	PAGE NUMBER
34-00663-08	16
34-00774-02	2, 6, 25
34-00774-08	11
34-00774-10	9
34-00928-08	3
34-00928-13	2, 5, 8, 21, 22, 25
34-00967-45	21
34-00999-04	2, 4, 22
34-00999-06	22
34-01145-04	2
34-01146-06	2
34-01151-06	2
34-01184-06	2, 3, 4, 5, 14, 22, 24
34-01266-20	2, 3, 5, 14, 21, 22, 25
34-01266-25	6
34-01317-00	11
34-06132-04	16
34-60000-30	22
34-60068-20	2
34-60095-45	22
34-60095-46	2, 3, 4, 5, 21, 22, 24
34-62016-00	2, 22
34-62050-04	16
34-62077-00	11
34-67007-06	14
34-67009-01	19, 20
34-67022-00	19, 20

## 4

40-00071-07	9
40-00074-06	6
40-00090-07	24
40-00130-13	6
40-00168-06	24



# INDEX

PART NUMBER	PAGE NUMBER
40-00169-18	24
40-00169-24	24
40-00503-04	25
40-00521-00	7
40-00521-04	25
40-01124-00	24
40-01184-00	6
40-60007-02	24
40-60007-05	24
40-60008-02	24
40-60008-03	24
40-60008-04	24
40-60008-05	24
40-60008-07	6
40-60009-02	24
40-60009-03	24
40-60009-04	24
40-60009-05	24, 25
40-60009-06	6
40-60010-06	6
40-60042-01	25
40-60044-00	25
40-62032-00	6
40-62032-01	25
40-67038-00	8
42-00032-00	6
42-00243-03	24
42-00243-04	5, 24
42-00243-09	7, 24
42-00243-11	25
42-00243-16	5
42-00264-62	2
42-62045-03	10
42-62149-00	11

PART NUMBER	PAGE NUMBER
42-62159-00	3
42-62161-00	4
42-62162-00	9
42-62162-01	9
42-67003-07	19, 20
42-67009-100	2, 21
42-67017-100	22
44-00045-19	25
44-00045-30	28
44-62012-02	8
44-67003-00	8
48-67005-00	14

## 5

54-00622-01	22
54-00627-03	4
56-62187-00	6
56-62331-00	6
56-62332-00	25
56-62333-00	6
56-62334-00	9
56-62334-01	9
56-62334-02	9
56-62334-03	9
58-00079-02	14, 16
58-00079-04	17
58-00616-03	3, 9, 24
58-04315-00	14, 16
58-60298-04	14, 24
58-60302-04	3, 6
58-60302-05	14
58-60302-06	2, 24
58-60302-07	2
58-62024-00	11, 12
58-62202-00	11



# INDEX

PART NUMBER	PAGE NUMBER
58-62211-00	11
58-62213-00	11
58-62217-00	11
58-62220-00	2
58-62221-00	19
58-62221-01	20
58-62226-00	6
58-62226-01	25
58-67083-01	9
58-67105-00	2

## 6

62-03882-01	18
62-62039-00	18
62-62041-04	16
62-62041-05	16
62-62041-36	16
62-62041-37	16
62-62041-38	16
62-62041-39	16
62-62041-40	16
62-62041-41	16
62-62041-42	16
62-62041-43	16
62-62041-44	16
62-62041-45	16
62-62041-46	16
62-62041-47	16
62-62041-48	16
62-62041-49	16
62-62041-50	16
62-62041-51	16
62-62041-52	16
62-62041-53	16

PART NUMBER	PAGE NUMBER
62-62041-54	16
62-62041-55	16
62-62041-56	16
62-62045-00	18
65-62004-00	28
65-67005-00	24
67-67013-00	2
67-67269-00	21
67-67274-00	2
67-67276-00	21
67-67277-00	22
67-67283-00	22
67-67300-00	21
68-63588-00	28
68-63840-00	6
68-63841-00	25
68-63848-00	2
68-63863-00	9
68-63864-00	16
68-63865-00	21
68-63866-00	2
68-63866-01	2
68-63868-00	24
68-63869-00	2
68-63879-00	17
68-67097-00	4
68-67290-00	2
68-67290-01	2
68-67291-00	8
68-67301-00	5
68-67317-01	3
68-67318-00	21
68-67335-00	22
68-67336-00	22

## 7

73-67002-00	22
-------------	----



# INDEX

PART NUMBER      PAGE NUMBER

73-67020-00 ..... 19, 20  
 73-67020-01 ..... 19, 20  
 79-62124-00 ..... 11  
 79-62134-00 ..... 2  
 79-62135-00 ..... 19  
 79-62135-01 ..... 20

## 8

81-62167-00 ..... 6  
 81-62168-00 ..... 25  
 81-62171-00 ..... 9  
 81-62172-00 ..... 24  
 81-62178-00 ..... 8  
 81-67155-00 ..... 24  
 81-67157-00 ..... 24

## 9

91-62105-00 ..... 14  
 91-67029-00 ..... 15

PART NUMBER      PAGE NUMBER

## A

AC033-115 ..... 24  
 AC201-901 ..... 15  
 AC201-931 ..... 15  
 AC301-226 ..... 28  
 AC301-236 ..... 28  
 AC301-239 ..... 28  
 AC301-240 ..... 28  
 AC301-244 ..... 8  
 AC801-201 ..... 8  
 AC801-401 ..... 5, 9  
 AC801-412 ..... 22  
 AC801-412F25 .... 28  
 AC801-415 ..... 9, 14, 16  
 AC801-529 ..... 11

## D

DD19CA061 ..... 24

# Every driver deserves the best possible vehicle climate with MCC products

MCC provides exceptional performance in mobile climate comfort.



[www.mcc-hvac.com](http://www.mcc-hvac.com)

Member of MCC Group • Certified ISO 9001 and ISO 14001.  
Specifications subject to change without notice. MCC is a registered trademark.