

Bill of Materials Listing

TransArctic Canada Inc.

6/6/2006
Page 1 of 1

Product Number		Description	Bin	Date	Weight	Uof M	Yield
Line	Component Prod#	Description		Unit	Qty		
KMK72092		Mt Kit, C7, HDX-ER, 2 TM-16, '06		2/2/2006	28.04		0
10	BEL82629	Belt, 8gr, 2629mm (103.5") (5081035)		each	1		
20	BMK70064	Bkt, Main, Weldmt, Inner, Plate		each	1		
30	BMK70065	Bkt, Main, Weldmt, Outer, Plate		each	1		
40	BMK70067	Bkt, Brace, Plate		each	1		
60	PUL80076	Pulley, Idler, Backside, P8, 76d (89062)		each	1		
65	PUL80089	Pulley, Idler, Backside, P8, 86.4d (89106)		each	1		
70	SCD12710	Spacer, Col, Drl, 12.7mm x 25.4o x 10.32i		each	2		
80	SLV17010	Sleeve, Pulley, 16.9o x 22.23mm x 10.32i		each	2		
90	HOR02004	Hose, Rad, 2" ID, Long, 90 deg		each	1		
120	KBK72692	Bag Kit, Fasteners, KMK72692/2092		each	1		

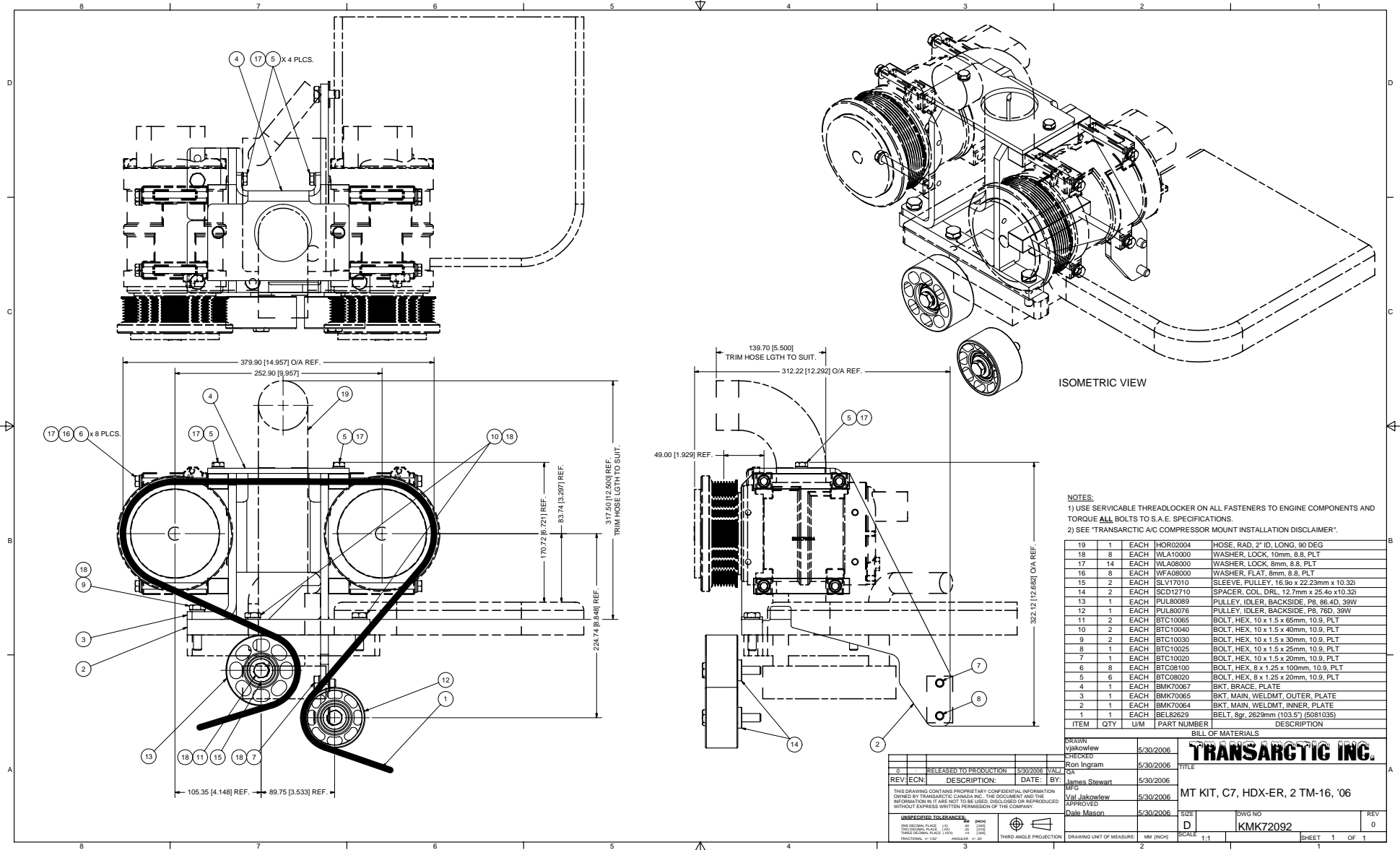
Bill of Materials Listing

TransArctic Canada Inc.

9/7/2006

Page 1 of 1

Product Number		Description	Bin	Date	Weight	Uof M	Yield
Line	Component Prod#	Description		Unit	Qty		
KBK72692		Bag Kit, Fasteners, KMK72692/2092		2/2/2006	1.54		0
5	BTC10065	Bolt, Hex, 10 x 1.5 x 65mm, 10.9, Plt		each	2		
10	BTC10040	Bolt, Hex, 10 x 1.5 x 40mm, 10.9, Plt		each	2		
20	BTC10030	Bolt, Hex, 10 x 1.5 x 30mm, 10.9, Plt		each	2		
30	BTC10025	Bolt, Hex, 10 x 1.5 x 25mm, 10.9, Plt		each	1		
40	BTC10020	Bolt, Hex, 10 x 1.5 x 20mm, 10.9, Plt		each	1		
50	BTC08100	Bolt, Hex, 8 x 1.25 x 100mm, 10.9, Plt		each	8		
70	BTC08020	Bolt, Hex, 8 x 1.25 x 20mm, 10.9, Plt		each	6		
100	WFA08000	Washer, Flat, 8mm, 8.8, Plt		each	8		
110	WLA10000	Washer, Lock, 10mm, 8.8, Plt		each	8		
120	WLA08000	Washer, Lock, 8mm, 8.8, Plt		each	14		



NOTES:
 1) USE SERVICABLE THREADLOCKER ON ALL FASTENERS TO ENGINE COMPONENTS AND TORQUE ALL BOLTS TO S.A.E. SPECIFICATIONS.
 2) SEE "TRANSARCTIC A/C COMPRESSOR MOUNT INSTALLATION DISCLAIMER".

ITEM	QTY	UOM	PART NUMBER	DESCRIPTION
19	1	EACH	HOR02004	HOSE, RAD, 2" ID, LONG, 90 DEG
18	8	EACH	WLA10000	WASHER, LOCK, 10mm, 8.8, PLT
17	14	EACH	WLA08000	WASHER, LOCK, 8mm, 8.8, PLT
16	8	EACH	WFA08000	WASHER, FLAT, 8mm, 8.8, PLT
15	2	EACH	SLV17010	SLEEVE, PULLEY, 16.90 x 22.23mm x 10.32i
14	2	EACH	SCD12710	SPACER, COL, DRL, 12.7mm x 25.40 x 10.32i
13	1	EACH	PUL80089	PULLEY, IDLER, BACKSIDE, P8, 86.40, 39W
12	1	EACH	PUL80076	PULLEY, IDLER, BACKSIDE, P8, 70D, 39W
11	2	EACH	BTC10065	BOLT, HEX, 10 x 1.5 x 65mm, 10.9, PLT
10	2	EACH	BTC10040	BOLT, HEX, 10 x 1.5 x 40mm, 10.9, PLT
9	2	EACH	BTC10030	BOLT, HEX, 10 x 1.5 x 30mm, 10.9, PLT
8	1	EACH	BTC10025	BOLT, HEX, 10 x 1.5 x 25mm, 10.9, PLT
7	1	EACH	BTC10020	BOLT, HEX, 10 x 1.5 x 20mm, 10.9, PLT
6	8	EACH	BTC08100	BOLT, HEX, 8 x 1.25 x 100mm, 10.9, PLT
5	6	EACH	BTC08020	BOLT, HEX, 8 x 1.25 x 20mm, 10.9, PLT
4	1	EACH	BMK70067	BKT, BRACE, PLATE
3	1	EACH	BMK70065	BKT, MAIN, WELDMT, OUTER, PLATE
2	1	EACH	BMK70064	BKT, MAIN, WELDMT, INNER, PLATE
1	1	EACH	BCL62629	BELT, 8gr, 2623mm (103.51) (5081035)

TRANSARCTIC INC.

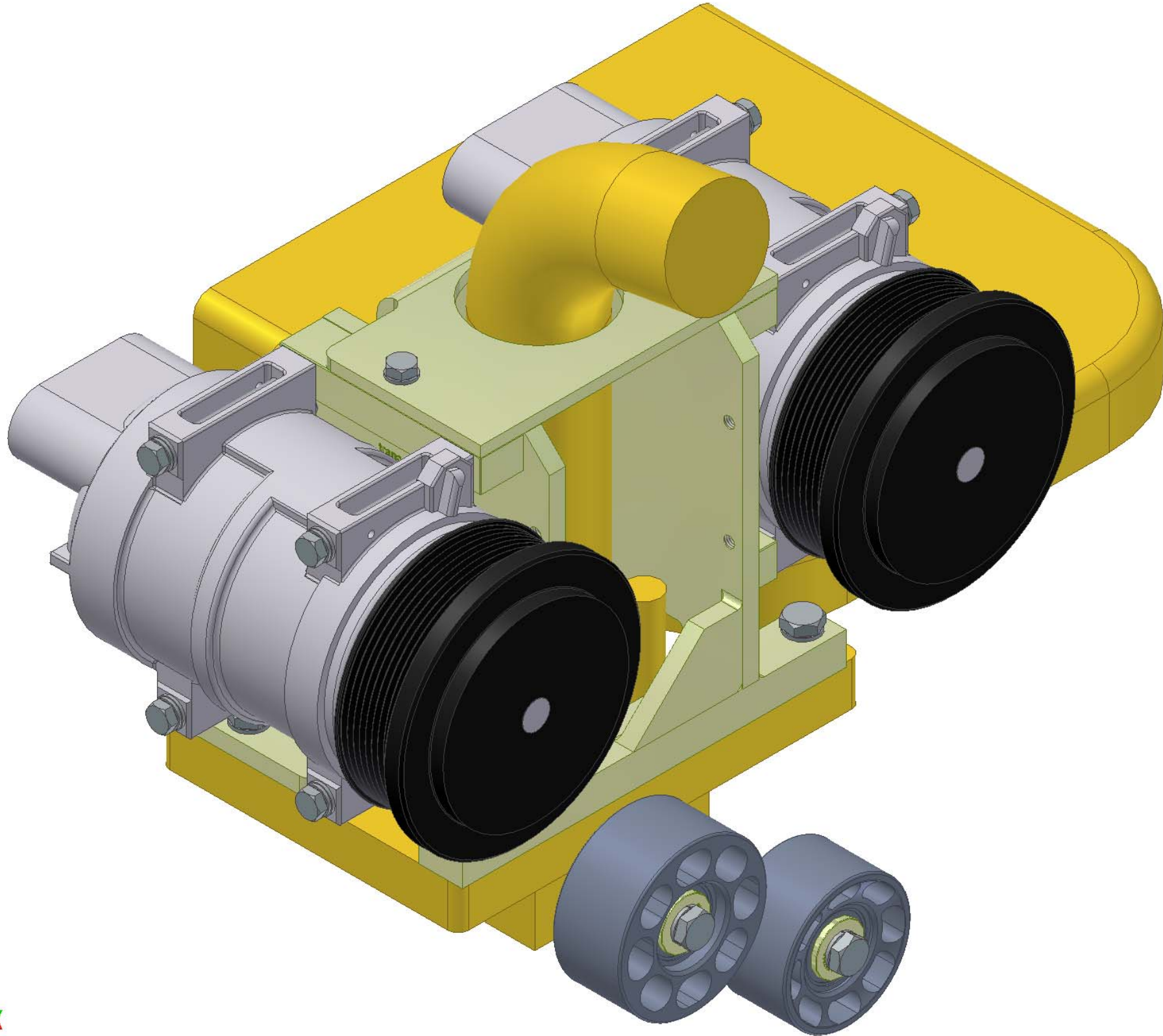
REV	DATE	DESCRIPTION	BY	APP
0	5/30/2006	RELEASED TO PRODUCTION	James Stewart	
1	5/30/2006	REVISION		

DRAWN: Viskowfaw 5/30/2006
 CHECKED: Ron Ingram 5/30/2006
 DATE: 5/30/2006
 TITLE: MT KIT, C7, HDX-ER, 2 TM-16, '06
 APPROVED: Dale Mason 5/30/2006
 SIZE: D
 DWG NO: KMK72092
 SCALE: 1:1
 SHEET 1 OF 1

THIS DRAWING CONTAINS PROPRIETARY, CONFIDENTIAL INFORMATION OWNED BY TRANSARCTIC CANADA INC. THE DOCUMENT AND THE INFORMATION IN IT ARE NOT TO BE USED, DISCLOSED OR REPRODUCED WITHOUT EXPRESS WRITTEN PERMISSION OF THE COMPANY.

UNSPECIFIED TOLERANCES:
 ONE DECIMAL PLACE .10
 TWO DECIMAL PLACE .05
 THREE DECIMAL PLACE 0.010
 ANGLES ± 30'
 HOLE ± .010
 HOLE ± .010
 HOLE ± .010

THIRD ANGLE PROJECTION



TransArctic A/C Compressor Mount Installation Disclaimer

All compressor mounts should be installed by qualified and trained personnel using proper tools and equipment in safe working conditions following industry standard guidelines for motor vehicle service and repair.

The installer of any compressor mount purchased from TransArctic must undertake all responsibility of issues arising from that compressor bracket being installed on any vehicle. Mount functionality, operation and durability can all be compromised by an incompetent installation.

Due to the many different situations, parameters and application criteria, which are beyond the compressor mount manufacturer's control, TransArctic does not warrant design, durability, or operational functionality of any compressor mount improperly installed by another party.

With no implied guarantees it is the mount installer's strict responsibility to determine safety and functionality, of the compressor mount, at the time of installation.

Please contact TransArctic with any issue arising from installation so we may better improve the product. If you have any reservations about the compressor mount integrity contact TransArctic immediately at 1-877-COLD-AIR.