



**SERVICE PARTS LIST**  
for  
**SPLIT SYSTEMS**  
**ELECTRICAL PARTS**

**T-299PL Electrical**

REV. 04/2022



# TABLE OF CONTENTS

INTRODUCTION .....	iii
ORDERING INSTRUCTIONS .....	iii
GENERAL NOTES .....	iii
<b>SECTION 1 - ELECTRICAL .....</b>	<b>1</b>
1.1 FUSE AND FUSE HOLDERS .....	1
1.2 RELAY ASSEMBLIES, 70 Amp .....	2
1.3 RELAY CONNECTOR ASSEMBLIES, (40/50 Amp) .....	2
1.4 RELAYS - SOLENOIDS .....	3
1.5 SWITCHES .....	3
1.6 CIRCUIT BREAKER .....	4
1.7 TERMINAL BOARDS .....	4
1.8 PRESSURE SWITCHES .....	5
1.9 THERMOSTATS .....	5
1.10 DIODES-LIGHTS-RESISTORS .....	5
1.11 HARNESS, ELECTRICAL .....	5
1.12 CONNECTORS, ELECTRICAL .....	5
1.13 ALTERNATOR, BATTERYLESS, 24VDC .....	6
1.14 FAN BLADES AND FAN ASSEMBLIES .....	7
1.15 MOTORS .....	7
1.16 BLOWER ASSEMBLIES .....	8
1.17 DRIVERS CONTROL PANEL (GEN 1 THROUGH GEN 4) .....	10
1.18 DRIVERS CONTROL PANEL GEN-5 (VARIABLE) .....	11
1.19 DRIVERS CONTROL PANEL KITS 77-62135-00, -01, -02, 03, -04 & -05 .....	12
1.20 DRIVERS CONTROL PANEL KITS 77-62135-06 & -07 .....	13
1.21 TEMPCON CONTROL PANELS .....	14
1.21.1 TEMPCON SENSOR ASSEMBLY (KITS) .....	14
1.21.2 TEMPCON II CONTROL PANELS .....	15
1.22 DRIVERS CONTROL PANEL, (TOTAL CONTROL) .....	16
1.23 DRIVERS CONTROL PANEL, (EnviroMATE) .....	17
1.24 DRIVERS CONTROL PANEL, (EnviroMATE II) .....	17
1.25 REPLACEMENT ELECTRICAL CONTROL PANELS, CROSS-REFERENCE MATRIX .....	18
1.26 ELECTRICAL CONTROL PANELS (TYPICAL) .....	19
1.27 ELECTRICAL Panel, Y25-00012-00 .....	20
1.28 ELECTRICAL Panel, Y25-00013-00 .....	21
1.29 ELECTRICAL Panel, Y25-00014-00 .....	22
1.30 ELECTRICAL Panel, Y25-00031-00 .....	23
1.31 ELECTRICAL CONTROL PANELS (THOMAS) .....	24
1.32 ELECTRICAL HARNESS Replacement Parts (THOMAS) .....	25
1.33 PANEL ASSEMBLIES, TOTAL CONTROL (TYPICAL) .....	30



## **TABLE OF CONTENTS**

1.34	CONTROL PANEL, EM-17 SPLIT, KR-4D, (24 VDC) .....	31
1.35	CONTROL PANEL, EM-17 & CM-5, (WITH HEAT) .....	33
1.36	CONTROL PANEL, EM-17 & CM-5 (W/O HEAT) .....	35
1.37	CONTROL PANEL, EM-17 & KR4, 91-62011-04 .....	37



## INTRODUCTION

This parts list identifies service replacement parts for Mobile Climate Control Split System electrical components.

## ORDERING INSTRUCTIONS

All orders and inquiries for parts must include: Unit Serial Number, Part No., description of part as shown on list and quantity required. Parts can be ordered by going to the following website:

**[www.mcc-hvac.com](http://www.mcc-hvac.com)**

## GENERAL NOTES

1. This catalog contains those items most commonly required for replacement purposes. If parts other than those cataloged are required, please provide the model number and serial number of the unit on which the parts are to be used and a complete description including references to items which are cataloged.
2. The replacement parts listed in this catalog are “Factory-Authorized Parts” and, as a result of “standardization,” may not be identical to the original part furnished on the equipment.
3. The following letter designations are used to classify parts throughout this list:
  - A/R = As Required,
  - H/C = Heat/Cool,
  - N/A = Not Available
  - N/S = Not Shown On Illustration
  - NSS = Not Sold Separately,
  - REF = For Reference Only
  - NSI = Non-stock Item

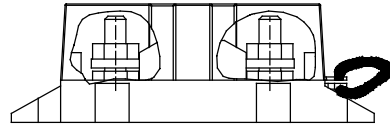


SECTION 1 - ELECTRICAL

1.1 FUSE AND FUSE HOLDERS



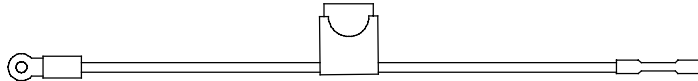
Mega - Series  
22-02336-xx



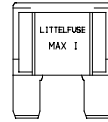
Mega - Series  
22-02898-00



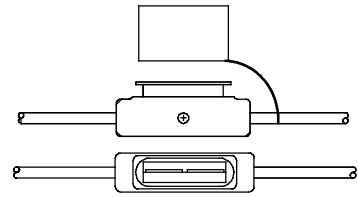
22-02338



22-62119  
ATC - Series



Maxi - Series  
22-02336-17

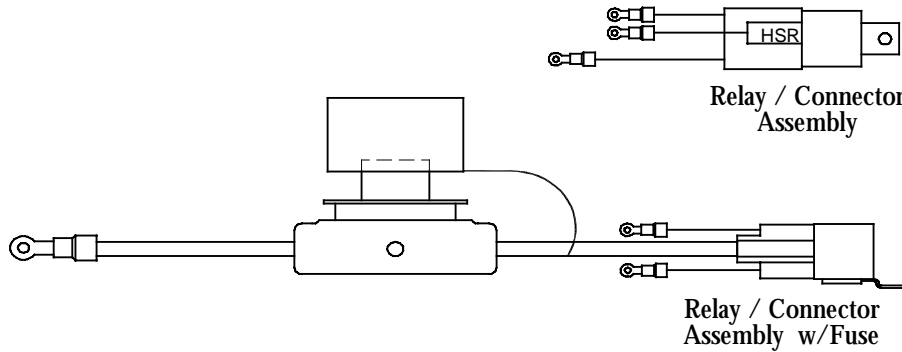


Maxi - Series  
22-62110-00

22-62119-00	Assembly, Fuse Holder, 10 AMP/ ATC-Series
22-62119-01	Assembly, Fuse Holder, 15 AMP/ ATC-Series
22-62119-02	Assembly, Fuse Holder, 20 AMP/ ATC-Series
22-02336-02	Fuse, 5 AMP/ ATC-Series
22-02336-04	Fuse, 10 AMP/ ATC-Series
22-02336-06	Fuse, 14 AMP/ ATC-Series
22-02336-01	Fuse, 20 AMP/ ATC-Series
22-02338-02	Fuse Holder, #16 AWG Stranded, (In-Line ATC Series)
22-62110-00	Fuse Holder, With Cover, (In-Line Maxi Series)
22-02898-00	Fuse Holder, With Cover (Mega- Series) Surface Mount (150A Rating)
22-02336-15	Fuse, 150 AMP/ Mega- Series
22-02336-32	Fuse, 125 AMP/ Mega- Series
22-02336-31	Fuse, 100 AMP/ Mega- Series
22-02336-17	Fuse, 60 AMP/ Maxi- Series

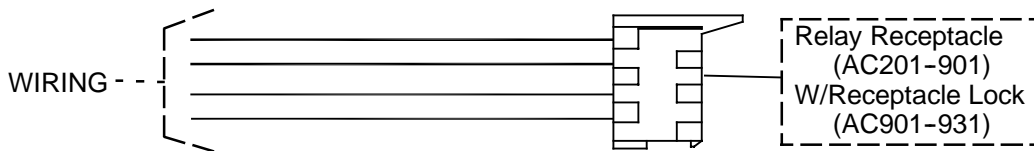


**1.2 RELAY ASSEMBLIES, 70 Amp**



Part Number	Description
22-62210-00	Relay/Connector Assembly, (HSR), (With Wiring) - Includes:
Y25-00089-00	Relay, 70 Amp (12VDC)
22-62210-02	Connector/Wiring Assembly, (HSR), ( <b>Less Relay</b> ) - Includes:
22-50078-18	Connector, Relay
NSI	Label, HSR (High Speed Relay)
22-62210-01	Relay/Connector Assembly, (HSR), With Wiring & Fuse- Includes:
Y25-00089-00	Relay, 70 Amp (12VDC)
22-50078-18	Connector, Relay
22-62110-00	Fuse Holder, With Cover
22-02336-17	Fuse, 60 Amp
NSI	Label, HSR (High Speed Relay)
22-62210-04	Relay/Connector Assembly, (CR), With Wiring, - Includes:
Y25-00089-00	Relay, 70 Amp (12VDC)
22-62210-05	Relay/Connector Assembly, (MSR), With Wiring, - Includes:
Y25-00089-00	Relay, 70 Amp (12VDC)

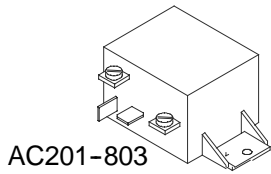
**1.3 RELAY CONNECTOR ASSEMBLIES, (40/50 Amp)**



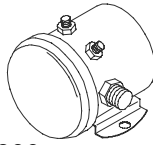
Part Number	Description
AC201-922	Connector Assembly, High Speed Relay, 4 Prong
22-62238-00	Connector Assembly, Medium Speed Relay, 4 Prong
22-62238-01	Connector Assembly, Low Speed Relay, 4 Prong
22-62238-02	Connector Assembly, Clutch Relay, 4 Prong
22-62238-03	Connector Assembly, Condenser Relay, 4 Prong



**1.4 RELAYS - SOLENOIDS**



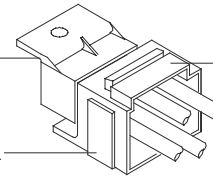
AC201-803



AC201-800

10-00286-00  
RELAY

AC201-901  
CONNECTOR

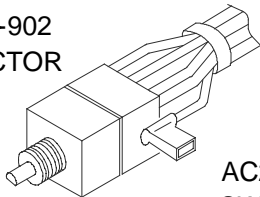


AC201-931  
LOCK

Part Number	Description
AC201-800	Contactora, Solenoid, 12 VDC, 70 AMP (With Nuts & Washers)
AC201-803	Contactora, Solenoid, 24 VDC, 50 AMP
AC201-804	Relay, 5 Prong, 24 VDC, 30 AMP
AC201-812	Contactora, Relay, 12 VDC, 20/30 AMP
10-00286-00	Relay, 4 Prong, 12 VDC, 40 AMP, With Bracket <b>(Inactive, Superseded to Y25-00001-00)</b>
Y25-00001-00	Relay, 5 Prong, 12 VDC, 30 AMP, With Bracket <b>(Was 10-00286-03)</b>
Y25-00001-02	Relay, 5 Prong, 24 VDC, 40 AMP, No Bracket <b>(Was 10-00286-09)</b>
10-00286-12	Relay, 5 Prong, 24 VDC, 40 AMP, No Bracket
10-00286-14	Relay, 5 Prong, 12 VDC, 50 AMP, With Bracket, (Arc Suppression Diode)
Y25-00001-05	Relay, 5 Prong, 12 VDC, 50 AMP, No Bracket
10-00286-15	Relay, 5 Prong, 12 VDC, 40 AMP, With Bracket, (Arc Suppression Diode)
Y25-00089-00	Relay, 4 Prong, 12 VDC, 70 AMP, With Bracket

**1.5 SWITCHES**

AC201-902  
CONNECTOR



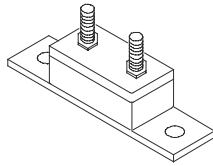
AC201-305  
SWITCH

NOTE:  
USE AC201-902 CONNECTOR  
WITH AC201-305

Part Number	Description
AC201-302	Switch, Toggle, SPDT, (ON-OFF-ON)
AC201-303	Switch, Toggle, SPST, (OFF-ON)
201-305	Switch, Rotary, Heavy Duty, (Double Nuts) (Was AC201-305)



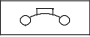

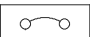
**1.6 CIRCUIT BREAKER**



CIRCUIT BREAKER COLOR CODE

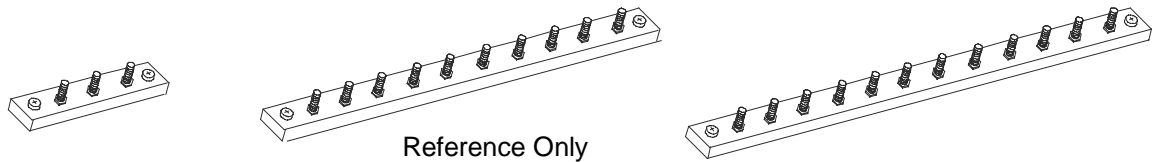
20 AMP - YELLOW DOT  
 30 AMP - GREEN DOT  
 40 AMP - RED DOT  
 50 AMP - WHITE DOT

CIRCUIT BREAKER IDENTIFICATION

	TYPE III - MANUAL RESET-RESETS WHEN EXTERNAL BUTTON IS PUSHED.
	TYPE II - RESETS WHEN OVERCURRENT IS CORRECTED OR REMOVED.
	TYPE I - AUTOMATIC RESET CYCLES CONTINUOUSLY.

Part Number	Description
AC201-109	Circuit Breaker, 0.5 AMP, Manual Reset
AC201-121	Circuit Breaker, 20 Amp, Type I
AC201-105	Circuit Breaker, 20 AMP, Manual Reset, Type III
AC201-105-1	Circuit Breaker, 10 AMP, Manual Reset, Type III
AC201-113	Circuit Breaker, 20 Amp, Thermal Reset, (Panel Mount)
AC201-101	Circuit Breaker, 30 Amp, Type II
AC201-106	Circuit Breaker, 30 AMP, Manual Reset, Type III
AC201-119	Circuit Breaker, 40 Amp, Type I
AC201-112	Circuit Breaker, 40 AMP, Manual Reset, Type III
AC201-102	Circuit Breaker, 50 Amp, Type II, <b>(Supersedes to AC201-107)</b>
AC201-107	Circuit Breaker, 50 AMP, Manual Reset, Type III

**1.7 TERMINAL BOARDS**

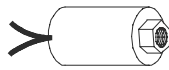


-	Terminal Board, 3 Position, 300 VDC, 30 Amp <b>(Inactive, Was 22-02897-00)</b>
22-02897-07	Terminal Board, 10 Position, 300 VDC, 30 Amp (Replaces 22-01334-07)
22-02897-09	Terminal Board, 12 Position, 300 VDC, 30 Amp (Replaces 22-01334-09)
22-02897-11	Terminal Board, 14 Position, 300 VDC, 30 Amp (Replaces 22-01334-11)
22-02897-13	Terminal Board, 16 Position, 300 VDC, 30 Amp (Replaces 22-01334-13)





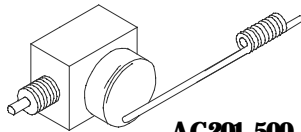
**1.8 PRESSURE SWITCHES**



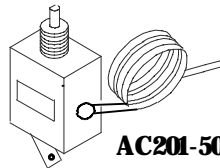
Pressure switch (Female)

Part Number	Description
AC201-400	Switch, High, Female, 350-250 PSI, (GEN-I & GEN-II)
AC201-414	Switch, High, Female, 400-300 PSI, (GEN III & GEN 4)
AC201-404	Switch, Low, Female, 10-25 PSI, (GEN I & GEN II)
AC201-412	Switch, Low, Female, 10-25 PSI, (GEN III & GEN 4)
AC201-409	Switch, Low, Female, 40-80 PSI
AC201-410	Switch, Low, Female, 60 PSI
AC201-403	Switch, Oil Pressure, (DM Series)

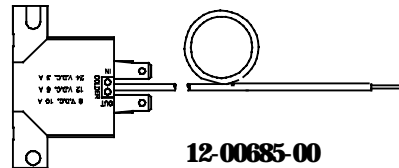
**1.9 THERMOSTATS**



AC201-500



AC201-501



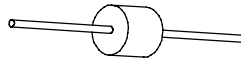
12-00685-00

AC201-500	Thermostat, Air, (With 2 Nuts)
AC201-501	Thermostat, Coil, Insert, (With 2 Nuts)
22-62007-00	Temperature Selector Assembly
12-00685-00	Thermostat, Non-Adjustable, Gen 5

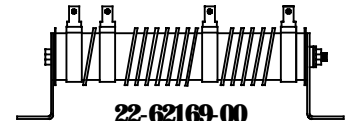
**1.10 DIODES-LIGHTS-RESISTORS**



76-62019-00



AC201-600



22-62169-00

Part Number	Description
AC201-600	Diode, In line, 6 AMP
AC201-609	Resistor, 1.6 OHM, 3 Post
AC201-610	Resistor, 2.5 OHM, (For AC401-200 Blower Assembly)
AC201-623	Resistor, 1 OHM, With Bracket, (For AC401-205 Blower Assembly)
76-62019-00	Resistor, Kit, 1.8 OHM, 4 Post, GEN 4 Evaporators, (AC201-611)
22-62169-00	Resistor, 0.815 OHM, 220 Watt, 4 Post, Gen V Evaporators, (3 Speed)

**1.11 HARNESS, ELECTRICAL**

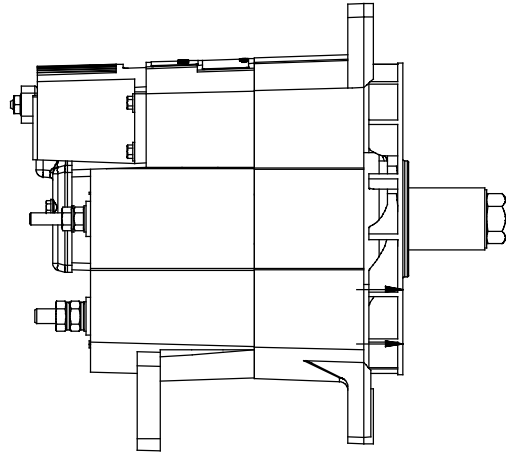
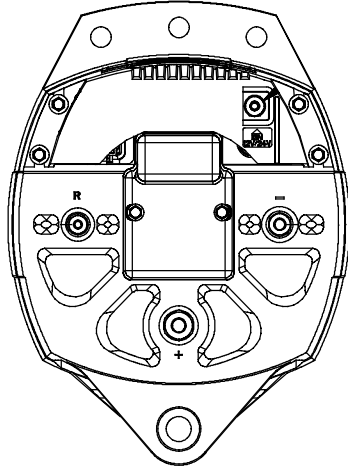
22-62101-00	Cable, Evaporator, Gen 5 - GSA, Orange Jacket
22-62102-00	Cable, Evaporator, Gen 5 - GSA, White Jacket (NSI)
22-62103-00	Cable, Condenser, Gen 5 - GSA, Red Jacket

**1.12 CONNECTORS, ELECTRICAL**

25-0781	Block, Junction, Stud-Type, 3/8-16, Black (Was 10-50052-00)
25-2420	Block, Junction, Stud-Type, 3/8-16, Red (Was 10-50052-01)



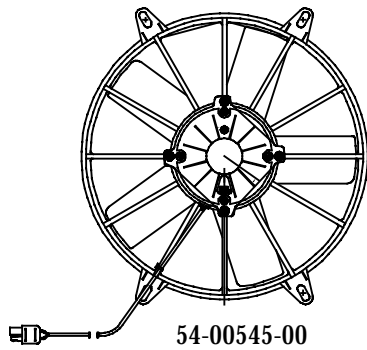
1.13 ALTERNATOR, BATTERYLESS, 24VDC



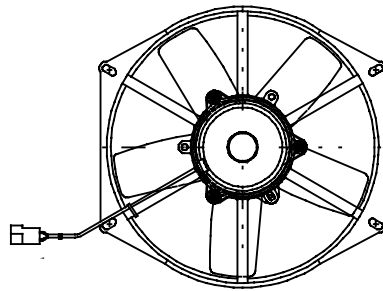
Part Number	Description
30-62004-00	Alternator, 24 VDC Batteryless, 150A
Y45-00006-00	Alternator, 24 VDC Batteryless, 200A



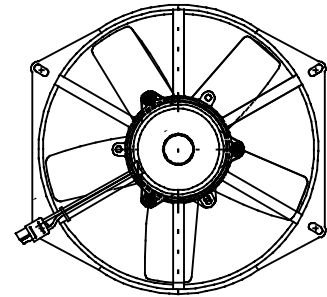
**1.14 FAN BLADES AND FAN ASSEMBLIES**



54-00545-00

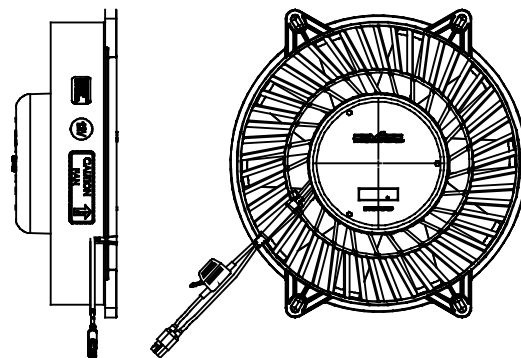


54-00545-01



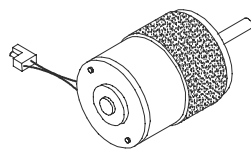
54-00545-02

AC401-100	Blade, Fan, 10 inch, 35, Condenser
AC410-110	Assembly, Fan, Condenser, 11 inch, 12 VDC, <b>(Superseded to 54-00618-01)</b>
54-00618-02	Assembly, Fan, Condenser, 11 inch, 24 VDC, (SPAL) <b>(Was 54-00545-00)</b>
54-00618-01	Fan & Motor Assembly, Vector, 12V With 20 Amp Fuse (No Replacement Motor) Includes:
22-02336-25	Fuse, 20 Amp



54-00618-01

**1.15 MOTORS**

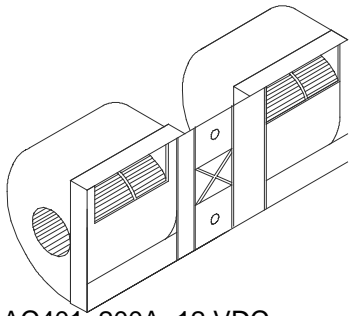


AC501-102A (12 VDC)  
AC501-103A, (24 VDC)

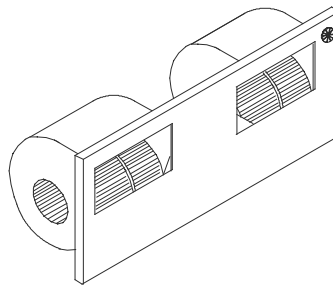
AC501-102A	Motor, Condenser, 12 VDC, 2-1/2 Diameter With Gasket
AC501-103A	Motor, Condenser, 24 VDC, 2-1/2 Diameter With gasket
AC501-122	Motor, Evaporator, 24 VDC, (EM-10 & EM-17) - Includes:
22-50091-00	.....Brush, Motor
54-50080-00	Motor, Condenser, 12 VDC, <b>(Supersedes to 54-00618-01)</b>



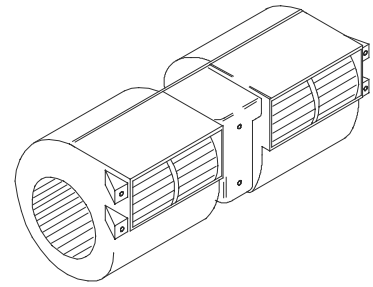
**1.16 BLOWER ASSEMBLIES**



AC401-200A, 12 VDC  
AC401-201A, 24 VDC



54-00546-03

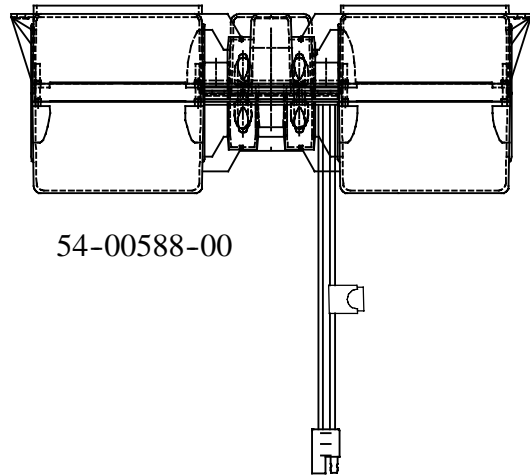
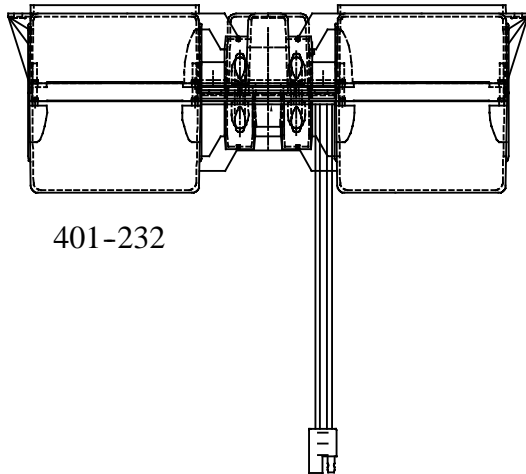
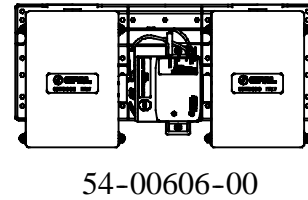
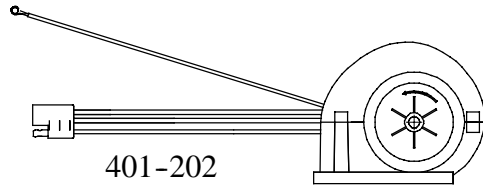
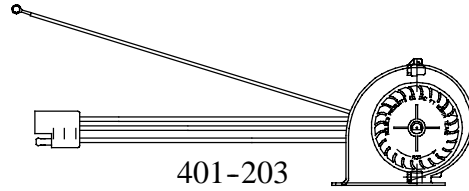
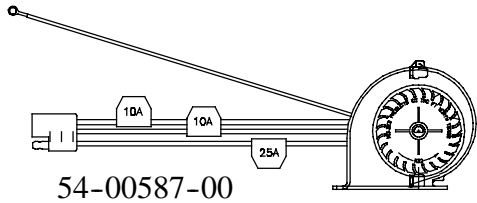


AC401-209A, 12 VDC  
AC401-210A, 24 VDC

<b>Part Number</b>	<b>Description</b>
AC401-200A	Assembly, Blower, Dual, 12 VDC, GEN I Replacement Kit
AC401-204	Assembly, Blower, Dual, 24 VDC, GEN II, (EM-14)
54-00546-03	Assembly, Blower, Dual, 24 VDC, (EM-21 / EM-22 / EM-30)
AC401-209A	Assembly, Blower, Dual, 12 VDC, GEN II, (EM-1 / EM-2 / EM-3 / EM-6)
AC401-210A	Assembly, Blower, Dual, 24 VDC, GEN II, (EM-1 / EM-2 / EM-3 / EM-6)
401-215	Blower Wheel, (EM-10)
AC401-217	Venturi Ring, (EM-10)
AC401-220	Blower Wheel, EM-10, Driver's Side
AC401-221	Assembly, Blower, Dual, 12 VDC, GEN III, (EM-1 / EM-2 / EM-3 / EM-6)
AC401-222	Assembly, Blower, Dual, 12 VDC, GEN III, (EM-1 / EM-2 / EM-3 / EM-6)
AC401-229	Assembly, Blower, Dual, 24 VDC, GEN III, (EM-14)
AC040-074	Assembly, Blower, Dual, 12 VDC, (EM-21) <b>(Also Replacement Number AC401-202)</b>
AC401-202	Assembly, Blower, Dual, 12 VDC, (IW-1)



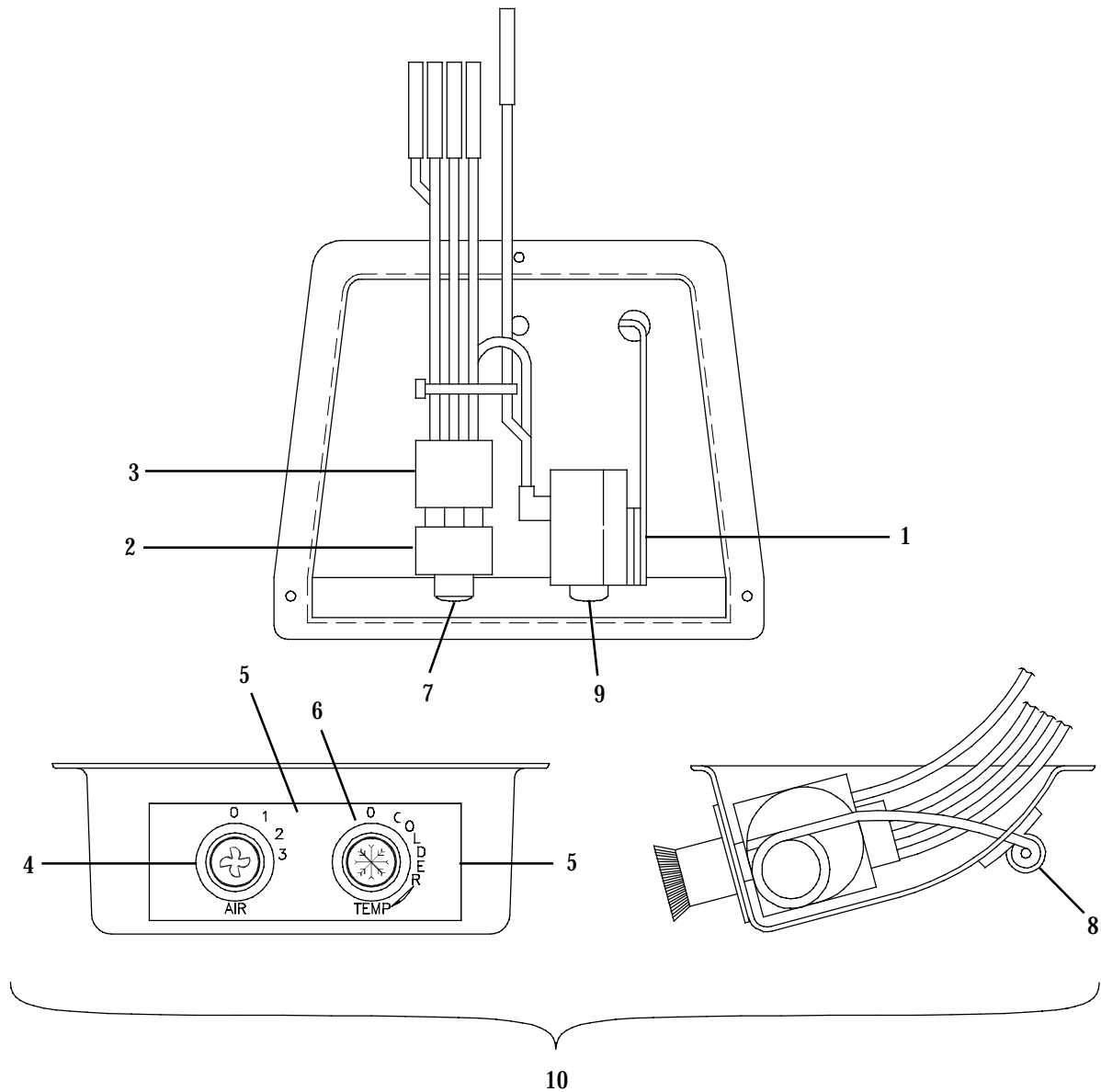
1.16 BLOWER ASSEMBLIES - Continued



Part Number	Description
AC401-202	Fan & Motor Assembly, 12 VDC, EM-21, EM-22 & IW-1 <b>(Was AC040-074)</b>
AC401-203	Fan & Motor Assembly, 12 VDC, GEN II, EM-14
AC401-232	Fan & Motor Assembly, 12 VDC, GEN 4, (EM-1 / EM-2 / EM-3 / EM-6) <b>(Supersede to 54-00588-00)</b>
AC401-233	Fan & Motor Assembly, 24 VDC, GEN 4, (EM-1 / EM-2 / EM-3 / EM-6)
54-00588-00	Fan & Motor Assembly, 12 VDC, Fused, Gen 4, GSA
54-00606-00	Fan & Motor Assembly, 12 VDC, Permanent Magnet, IW-7



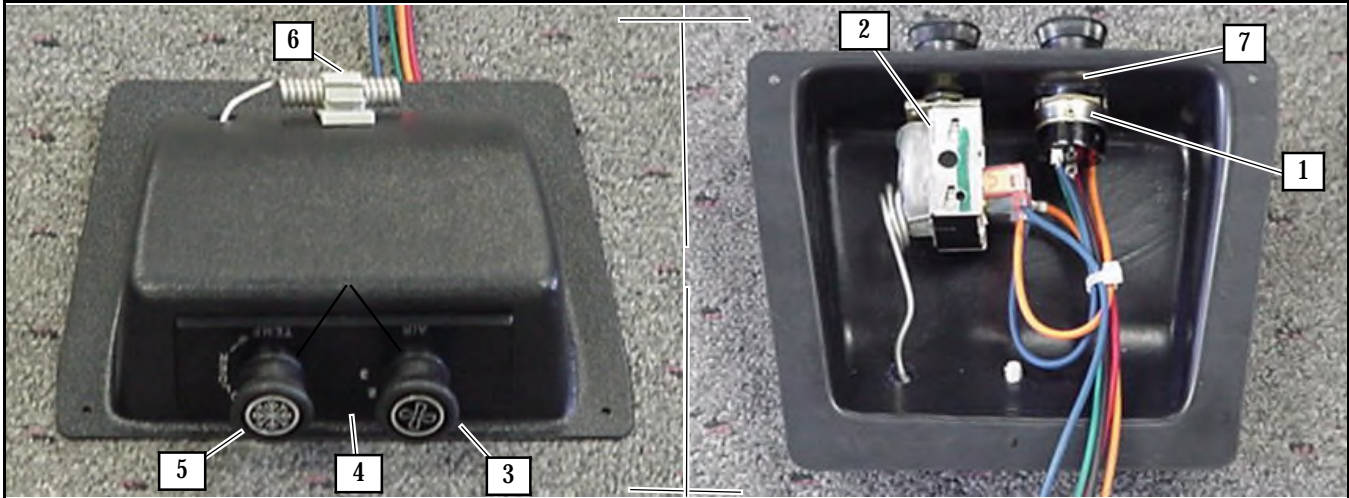
1.17 DRIVERS CONTROL PANEL (GEN 1 THROUGH GEN 4)



Item	Part Number	Description	Qty
1	AC201-500	.....Thermostat, With Double Nut	1
2	AC201-305	.....Switch, Fan Speed	1
3	AC201-902	.....Harness, With 5 Position Connector, ( Fan Speed Switch)	1
4	AC202-300	.....Knob, Fan	1
5	AC202-301	.....Nameplate, plastic, Black	1
6	AC202-303	.....Knob, Snowflake	1
7	AC202-305	.....Nut, Cover, Dressing	2
8	AC701-206	.....Clamp, Thermostat Coil	1
9	AC202-307	.....Nut, Hex, 7/16-28 Thread	2
10	77-62135-00	Kit, Drivers Control Panel, (Items 1 through 9)	1



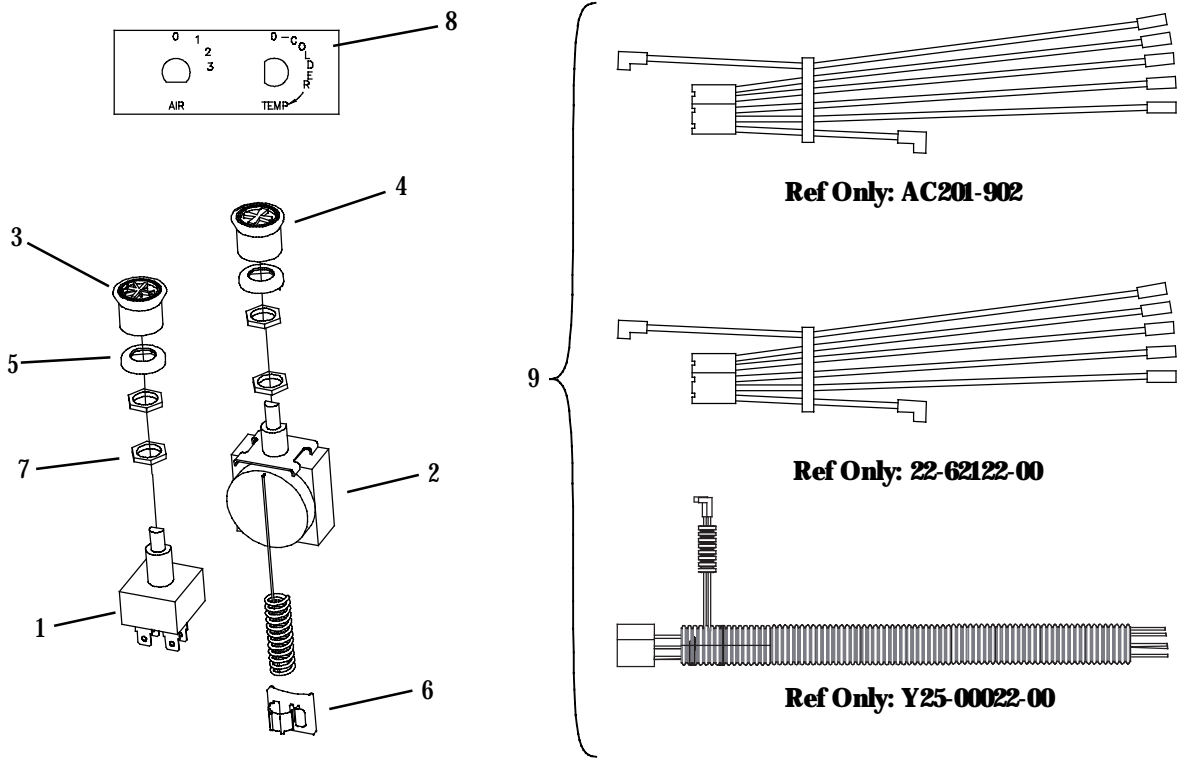
1.18 DRIVERS CONTROL PANEL GEN-5 (VARIABLE)



Item	Part Number	Description	Qty
1	22-62131-00	.....Switch, Fan Speed	1
2	AC201-500	.....Thermostat, Control With Double Nut	1
3	AC202-300	.....Knob, Fan	1
4	AC202-301	.....Switchplate, Control Panel, Plastic, Black	1
5	AC202-303	.....Knob, Snowflake	1
6	AC701-206	.....Clamp, Thermostat Coil	1
7	AC202-307	..... Nut, Hex, (Fan Speed Switch)	2



**1.19 DRIVERS CONTROL PANEL KITS 77-62135-00, -01, -02, 03, -04 & -05**

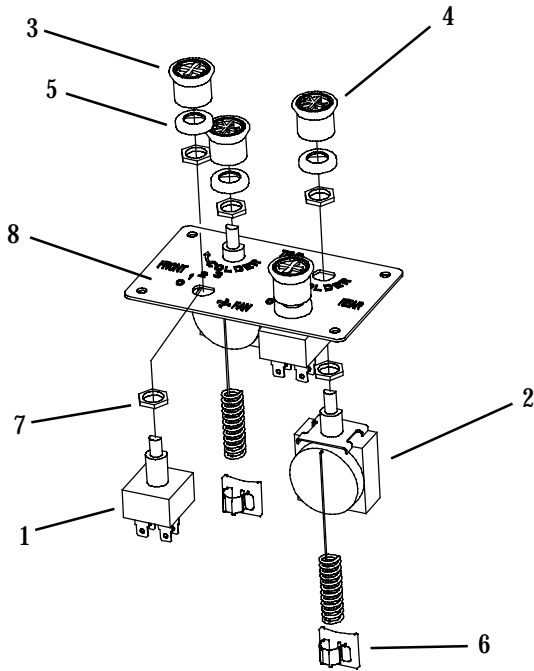


Item	Part Number	Description	Qty
-	77-62135-XX	Assembly, Drivers Control Panel, Consisting Of:	1
1	AC201-305	.....Switch, Fan Speed	1
2	AC201-500	.....Thermostat, Control With Double Nut	1
3	AC202-300	.....Knob, Fan	1
4	AC202-303	.....Knob, Snowflake	1
5	AC302-305	.....Nut, Cover	<b>NSI</b>
6	AC701-206	.....Clamp, Thermostat Coil	1
7	AC202-307	..... Nut, Hex, (Fan Speed Switch)	A/R
8	AC202-301	.....Switch Plate, Mounting	1
9	AC201-902	.....Wire Harness, Fan Speed Switch ( <b>77-62135-00 ONLY</b> )	1
	22-62122-00	.....Wire Harness, Fan Speed Switch ( <b>77-62135-02 ONLY</b> )	1
	Y25-00022-00	.....Wire Harness, Fan Speed Switch ( <b>77-62135-05 ONLY</b> )	1

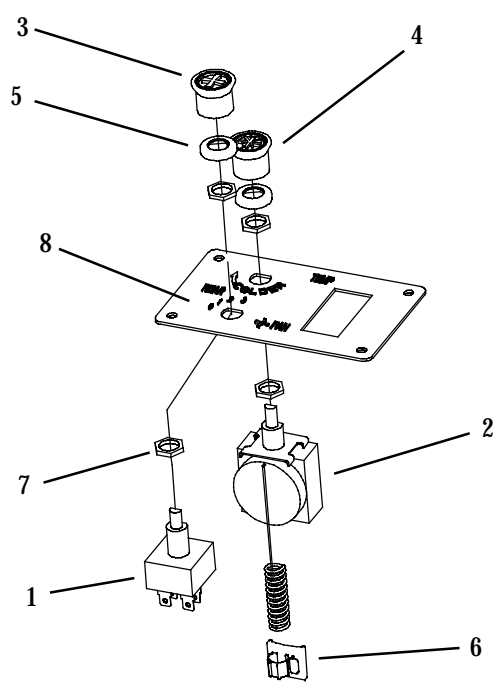




1.20 DRIVERS CONTROL PANEL KITS 77-62135-06 & -07



Ref: 77-62135-06

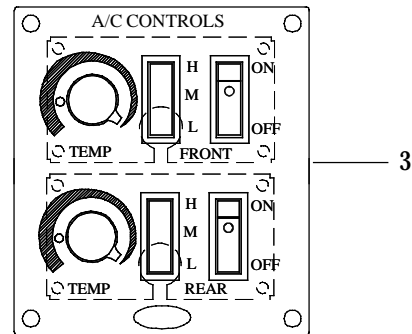
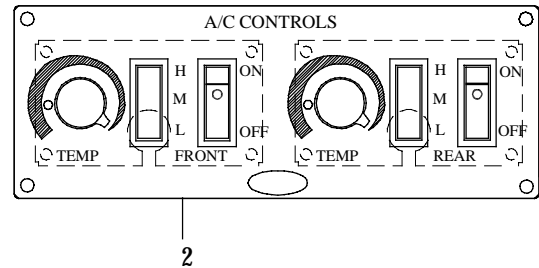
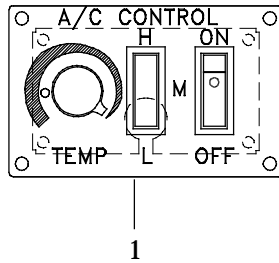
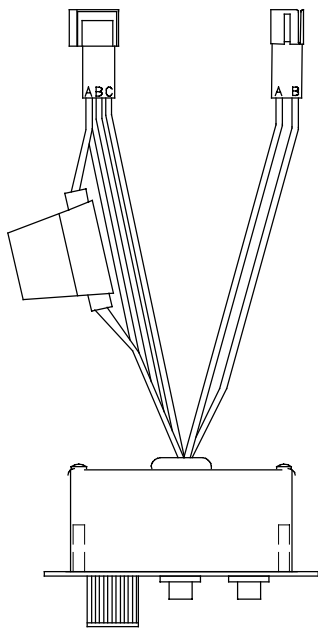


Ref: 77-62135-07

Item	Part Number	Description	Qty
-	77-62135-XX	Assembly, Drivers Control Panel, Consisting Of:	1
1	AC201-305	.....Switch, Fan Speed	A/R
2	AC201-500	.....Thermostat, Control With Double Nut	A/R
3	AC202-300	.....Knob, Fan	A/R
4	AC202-303	.....Knob, Snowflake	A/R
5	AC302-305	.....Nut, Cover	<b>NSI</b>
6	AC701-206	.....Clamp, Thermostat Coil	A/R
7	AC202-307	..... Nut, Hex, (Fan Speed Switch)	A/R
8	Y24-00196-00	.....Switch Plate, Mounting (Dual Circuit)	1
	Y24-00196-01	.....Switch Plate, Mounting (Single Circuit)	1

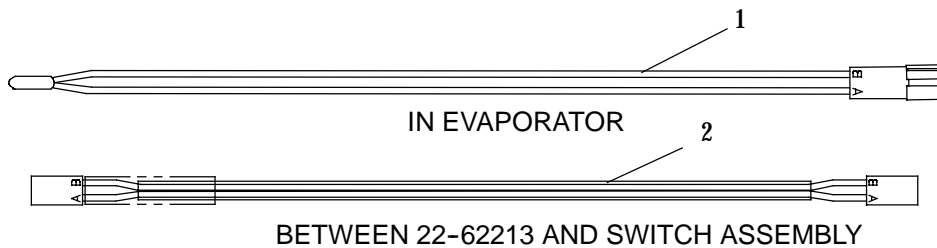


**1.21 TEMPCON CONTROL PANELS**



Item	Part Number	Description	Qty
1	22-62212-00	Switch Assembly, Tempcon, (Single)	1
2	22-62212-01	Switch Assembly, Tempcon, (Dual, Horizontal)	1
3	22-62212-02	Switch Assembly, Tempcon, (Dual, Vertical)	1

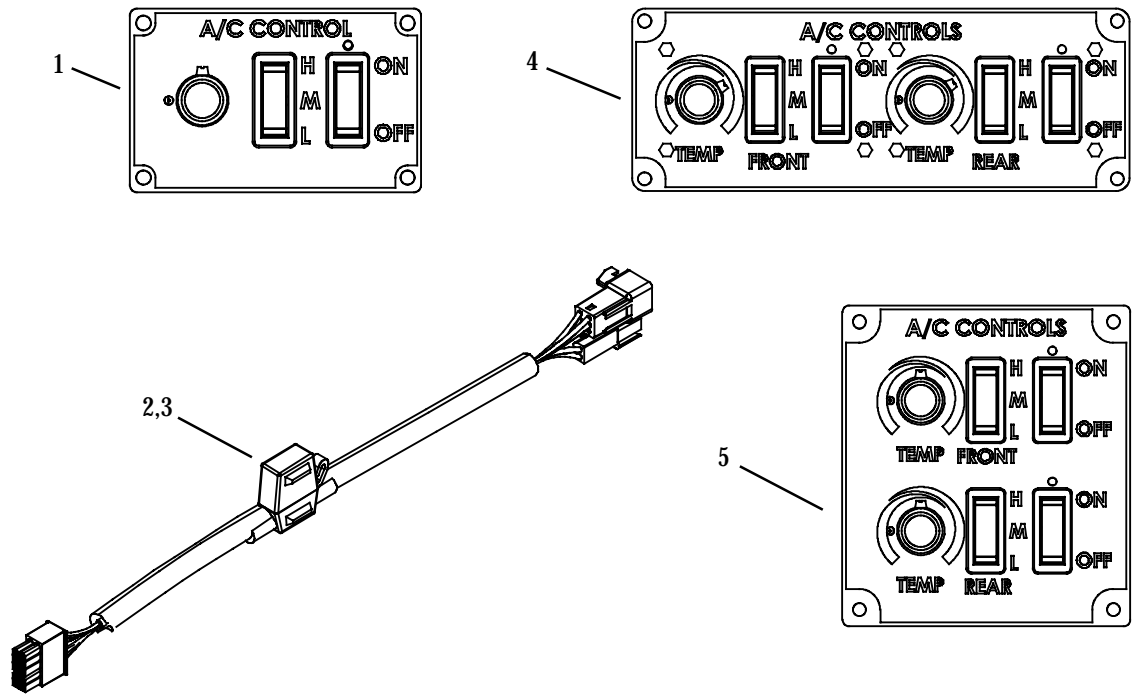
**1.21.1 TEMPCON SENSOR ASSEMBLY (KITS)**



Part Number	Description	Qty
1	22-62213-00 Sensor Assembly, Tempcon (13 Inch)	1
	22-62213-01 Sensor Assembly, Tempcon (46 Inch)	1
2	22-62214-30 Cable Assembly, Shielded, Tempcon, Florida Control (360 Inches)	1
	22-62214-58 Cable Assembly, Shielded, Tempcon, Florida Control (696 Inches)	1
	22-62214-68 Cable Assembly, Shielded, Tempcon, Florida Control (816 Inches)	1



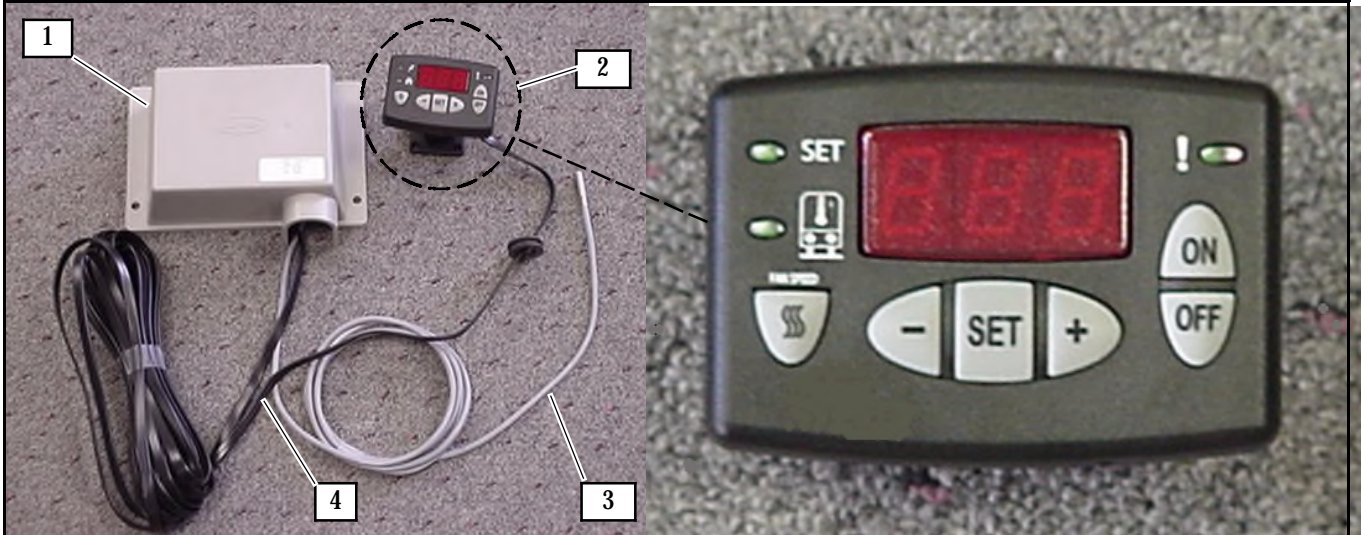
1.21.2 TEMPCON II CONTROL PANELS



Item	Part Number	Description	Qty
1	T35-1298	Switch Assembly, Tempcon, (Single), Includes:	1
2	T25-3756	Wire Harness, Fused, (W/O Fuse)	1
3	25-0568	Fuse, 3A	1
4	T35-1300	Switch Assembly, Tempcon, (Dual, Horizontal)	1
2	T25-3756	Wire Harness, Fused, (W/O Fuse)	2
3	25-0568	Fuse, 3A	2
5	T35-1299	Switch Assembly, Tempcon, (Dual, Vertical)	1
2	T25-3756	Wire Harness, Fused, (W/O Fuse)	2
3	25-0568	Fuse, 3A	2



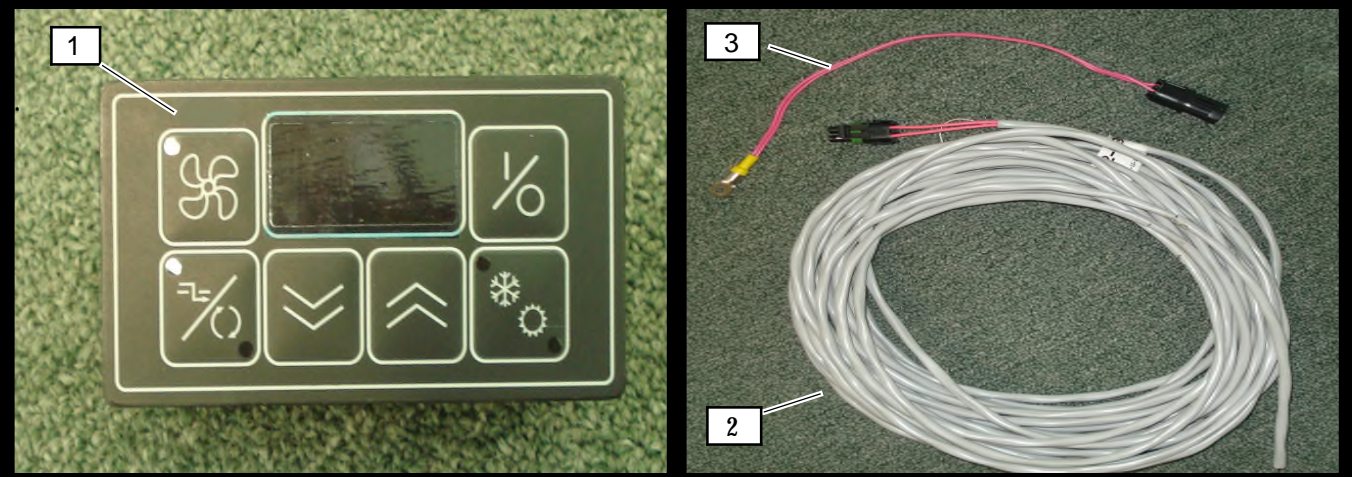
1.22 DRIVERS CONTROL PANEL, (TOTAL CONTROL)



Item	Part Number	Description	Qty
1	12-00567-00	Module, Logic	1
2	12-00570-00	Cab Command	1
3	12-00512-02	Sensor, Thermistor, (50 Ft.)	1
4	22-60551-07	Cable, Cab Command, (52 Ft.)	1
	22-60168-04	Cable, Cab Command, (32 Ft.)	1
	22-60168-03	Cable, Cab Command, (15 Ft.)	1

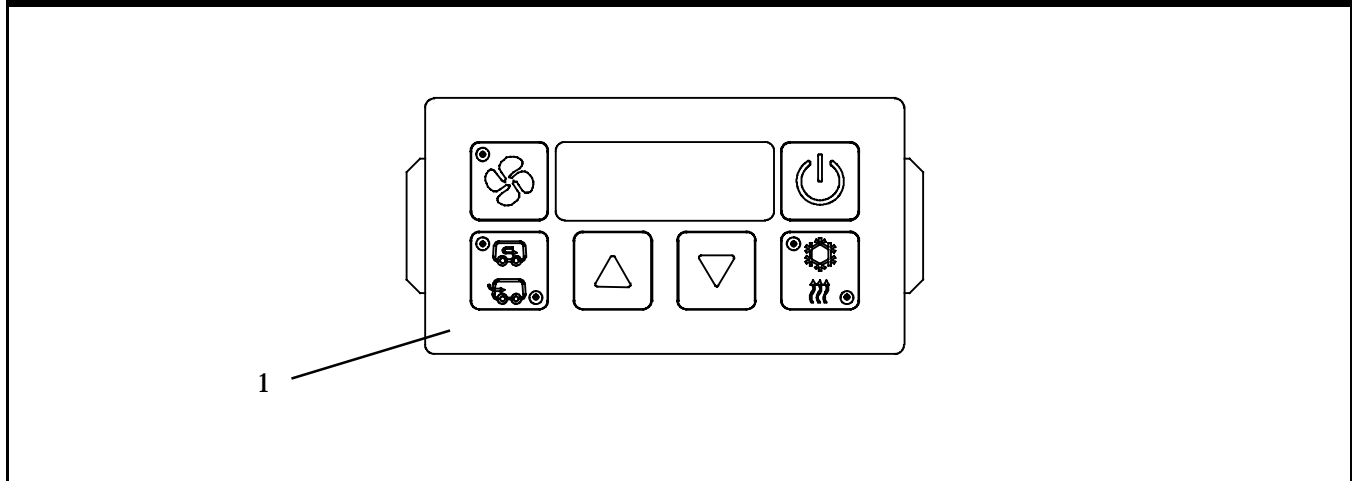


1.23 DRIVERS CONTROL PANEL, (EnviroMATE)



Item	Part Number	Description	Qty
1	12-00672-00	Display, EnviroMATE, Small Bus, Zone 1	1
	12-00672-01	Display, EnviroMATE, EM-17	1
	12-00672-03	Display, EnviroMATE, Small Bus, 2 Zone, GSA Qualified	1
2	22-62290-00	Cable Assembly, Thermistor/Sensor (55 ft.), (NSI)	1
	22-62290-02	Cable Assembly, Thermistor/Sensor (20 ft.), (NSI)	1
	22-62290-03	Cable Assembly, Thermistor/Sensor (10 ft.), (NSI)	1
	22-62290-04	Cable Assembly, Thermistor/Sensor (14 ft.), (NSI)	1
	22-62290-06	Cable Assembly, Thermistor/Sensor (16 ft.), (NSI)	1
	22-62290-07	Cable Assembly, Thermistor/Sensor (29 ft.), (NSI)	1
3	12-00305-07	Sensor, Thermistor w/connector, (12")	1

1.24 DRIVERS CONTROL PANEL, (EnviroMATE II)



Item	Part Number	Description	Qty
1	35-1056	Display, EnviroMATE II, Dual Zone, Single Transit Compressor	1



**1.25 REPLACEMENT ELECTRICAL CONTROL PANELS, CROSS-REFERENCE MATRIX**

A listing of obsolete relay panels can be found below with the current replacement relay panel identified. Individual components can be found in referenced sections listed in Sections 1.26 and 1.31.

<b>OLD ELECTRICAL PANEL</b>	<b>NEW ELECTRICAL PANEL</b>
AC010-560	Y25-00012-00
AC010-561	
AC010-565	
91-62022-00	
91-62040-00	
AC010-566	Y25-00013-00
91-62017-00	
91-62046-00	
AC010-568	Y25-00014-00
AC010-570	
91-62018-00	
91-62019-00	
91-62023-00	
91-62045-00	
91-62052-00	

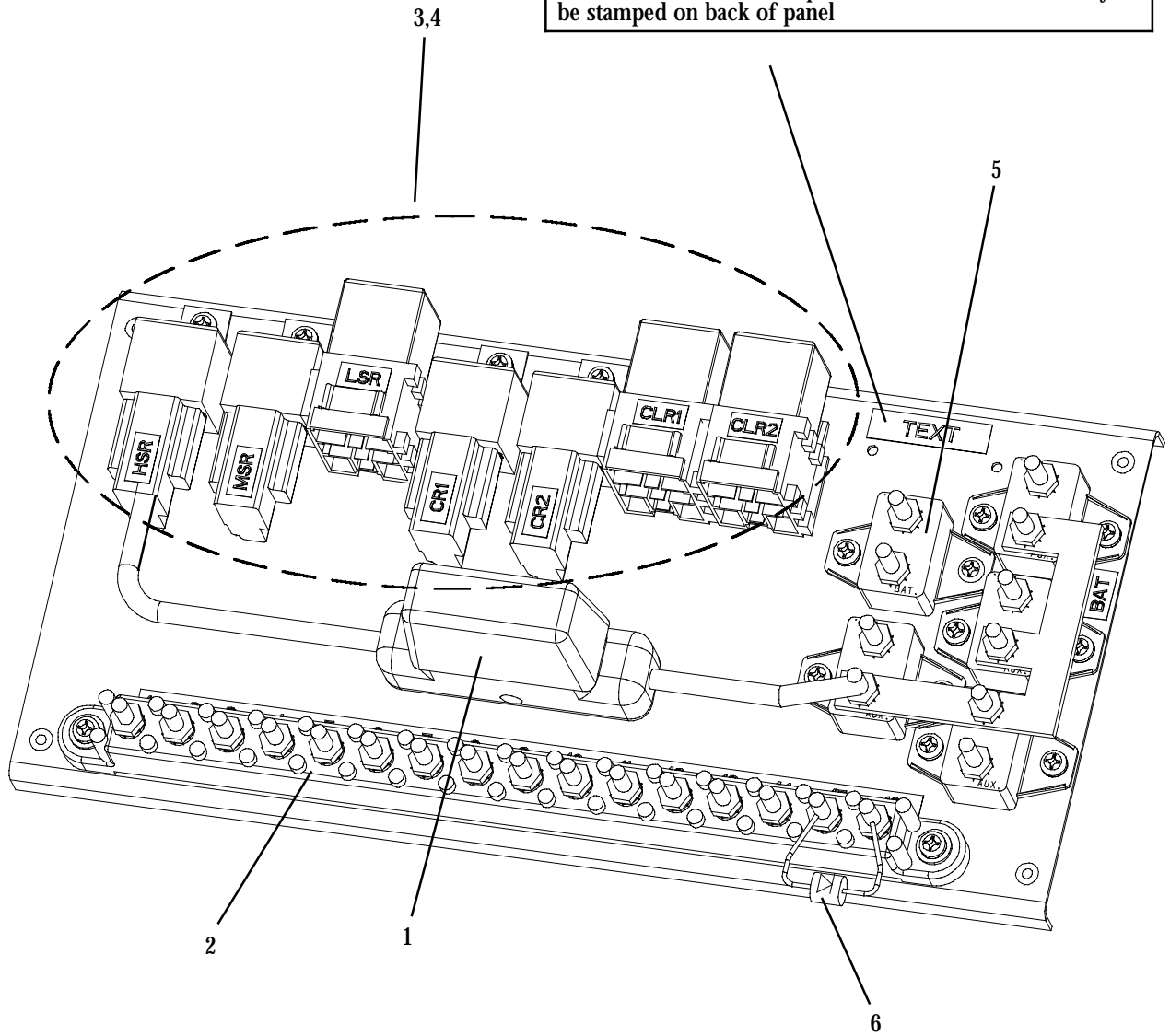
<b>OLD ELECTRICAL PANEL</b>	<b>NEW ELECTRICAL PANEL</b>
91-62027-00	Y25-00031-00
AC010-563	Y25-00032-00
91-62070-00	
91-62024-00	
91-62044-00	
91-62081-00	91-62110-00
91-62083-00	91-62111-00
91-62085-00	91-62112-00
91-62102-00 & 91-62113-00	Y25-00256-00
91-62103-00	91-62114-00





1.26 ELECTRICAL CONTROL PANELS (TYPICAL)

NOTE: For Electrical Panel Assembly Part Number, refer to label shown. For older panels, Panel Part Number may be stamped on back of panel

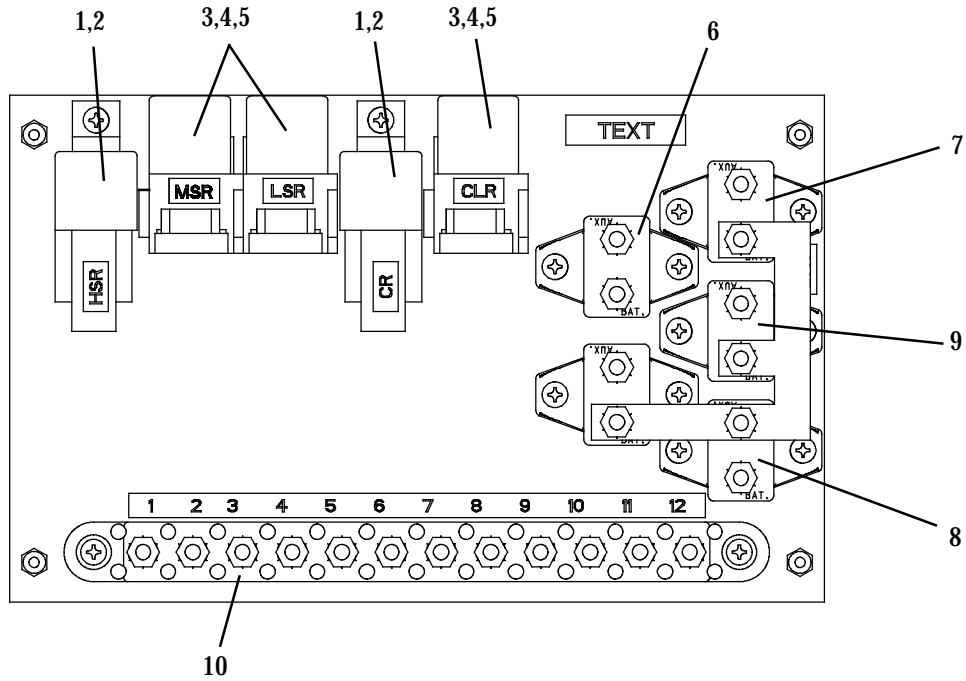


TYPICAL PANEL COMPONENTS  
REFERENCE ONLY

Item	Description
1	Fuses and Fuse Holders, <b>Refer to section 1.1</b> for proper replacement options
2	Terminal Boards, <b>Refer to section 1.7</b> for proper replacement options
3	Relays, <b>Refer to section 1.4</b> for proper replacement options
4	Relay Base Assemblies, <b>Refer to sections 1.2 and 1.3</b> for proper replacement options
5	Circuit Breakers, <b>Refer to section 1.6</b> for proper replacement options
6	Diodes, <b>Refer to section 1.10</b> for proper replacement options



1.27 ELECTRICAL Panel, Y25-00012-00



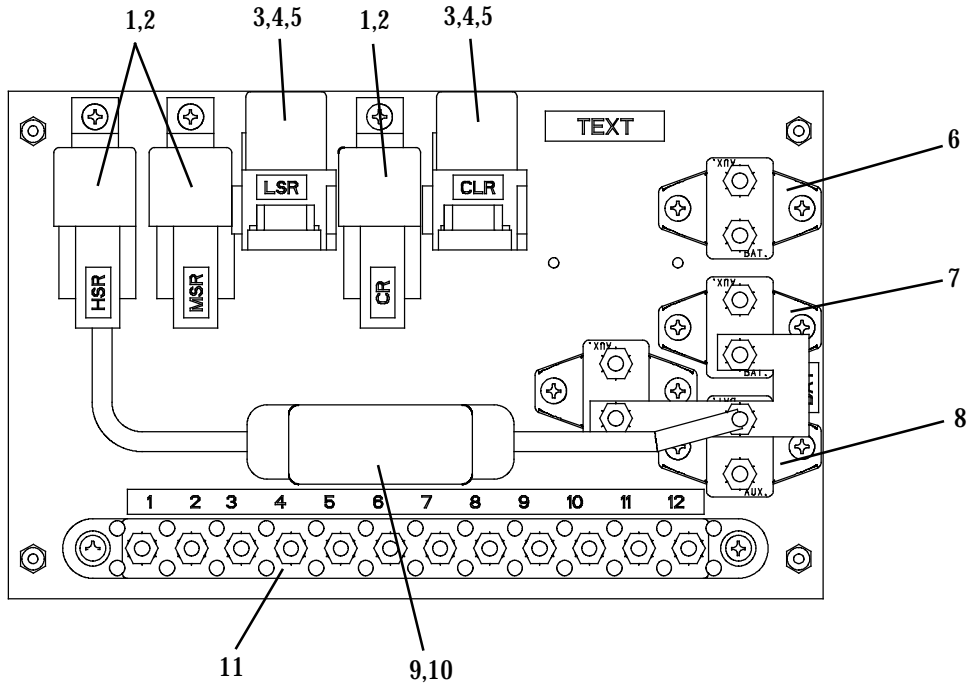
Used w/ 1EM w/1CM

Item	Part Number	Description	Qty
1	Y25-00089-00	Relay, 70A, 12VDC	2
2	22-50078-18	Connector, Relay Socket	2
3	Y25-00001-05	Relay, 50A, SPDT, 12VDC	3
4	AC201-901	Connector, Relay Socket	3
5	AC201-931	Connector Lock	3
6	AC201-105-1	Circuit Breaker, 10A Manual Reset	1
7	AC201-105	Circuit Breaker, 20A Manual Reset	1
8	AC201-112	Circuit Breaker, 40A Manual Reset	2
9	AC201-107	Circuit Breaker, 50A Manual Reset	1
10	22-02897-09	Junction Block, (12) #10-32	1





1.28 ELECTRICAL Panel, Y25-00013-00

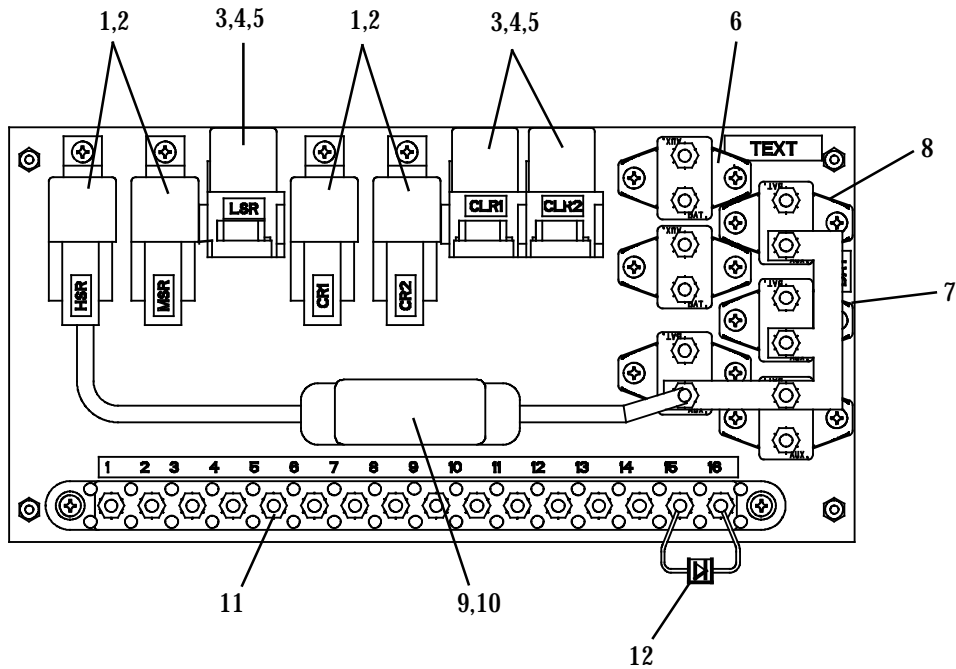


Used w/ 1 EM3 & 1 CM

Item	Part Number	Description	Qty
1	Y25-00089-00	Relay, 70A, 12VDC	3
2	22-50078-18	Connector, Relay Socket	3
3	Y25-00001-05	Relay, 50A, SPDT, 12VDC	2
4	AC201-901	Connector, Relay Socket	2
5	AC201-931	Connector Lock	2
6	AC201-105	Circuit Breaker, 20A Manual Reset	1
7	AC201-106	Circuit Breaker, 30A Manual Reset	1
8	AC201-112	Circuit Breaker, 40A Manual Reset	2
9	22-62110-00	Fuse Holder	1
10	22-02336-17	Fuse, 60A	1
11	22-02897-09	Junction Block, (12) #10-32	1



1.29 ELECTRICAL Panel, Y25-00014-00

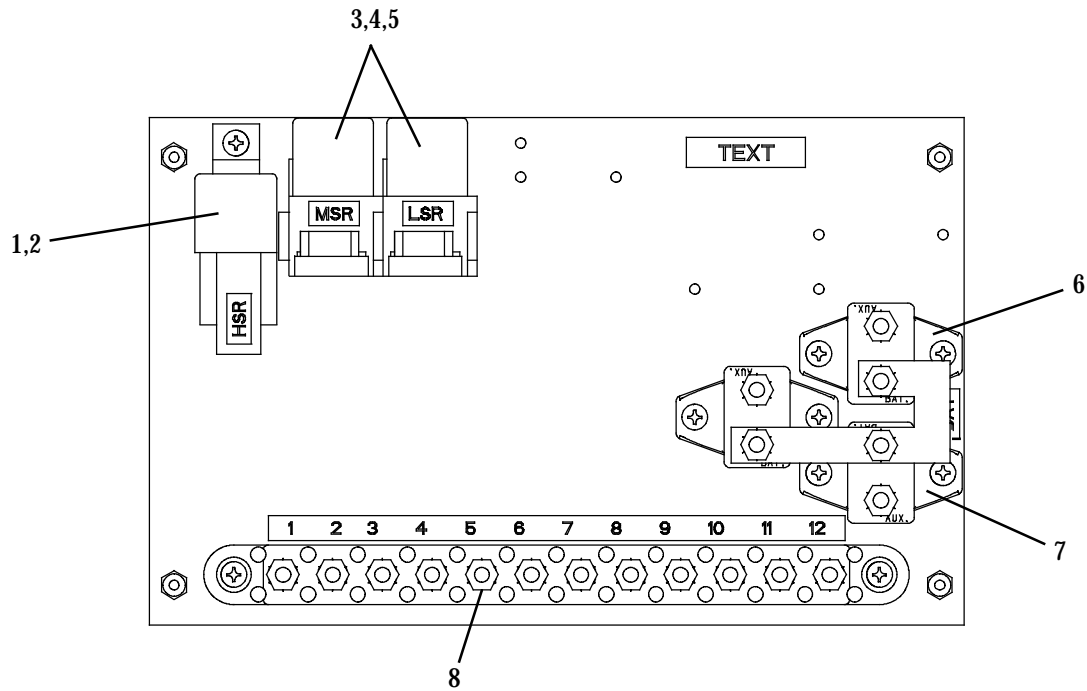


Used w/ EM3 and 2 CM

Item	Part Number	Description	Qty
1	Y25-00089-00	Relay, 70A, 12VDC	4
2	22-50078-18	Connector, Relay Socket	4
3	Y25-00001-05	Relay, 50A, SPDT, 12VDC	3
4	AC201-901	Connector, Relay Socket	3
5	AC201-931	Connector Lock	3
6	AC201-105	Circuit Breaker, 20A Manual Reset	2
7	AC201-106	Circuit Breaker, 30A Manual Reset	1
8	AC201-112	Circuit Breaker, 40A Manual Reset	3
9	22-62110-00	Fuse Holder	1
10	22-02336-17	Fuse, 60A	1
11	22-02897-13	Junction Block, (16) #10-32	1
12	AC201-600	In-Line Diode, 6 AMP	1



1.30 ELECTRICAL Panel, Y25-00031-00



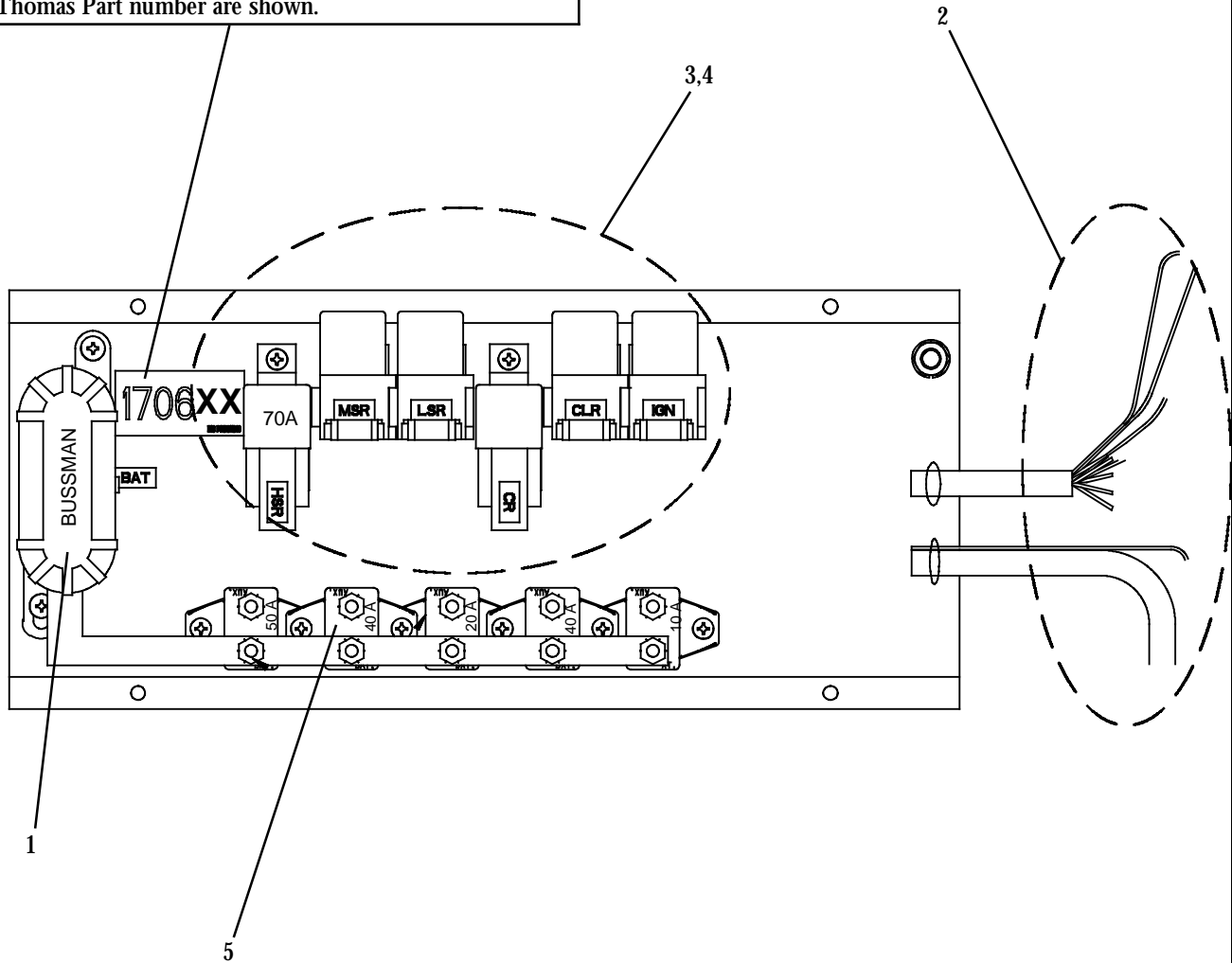
Used w/ Add On Evaporator

Item	Part Number	Description	Qty
1	Y25-00089-00	Relay, 70A, 12VDC	1
2	22-50078-18	Connector, Relay Socket	1
3	Y25-00001-05	Relay, 50A, SPDT, 12VDC	2
4	AC201-901	Connector, Relay Socket	2
5	AC201-931	Connector Lock	2
6	AC201-105	Circuit Breaker, 20A Manual Reset	2
7	AC201-112	Circuit Breaker, 40A Manual Reset	1
8	22-02897-09	Junction Block, (12) #10-32	1



1.31 ELECTRICAL CONTROL PANELS (THOMAS)

NOTE: For Electrical Panel Assembly Part Number, refer to label shown. MCC Part number, as well as Thomas Part number are shown.



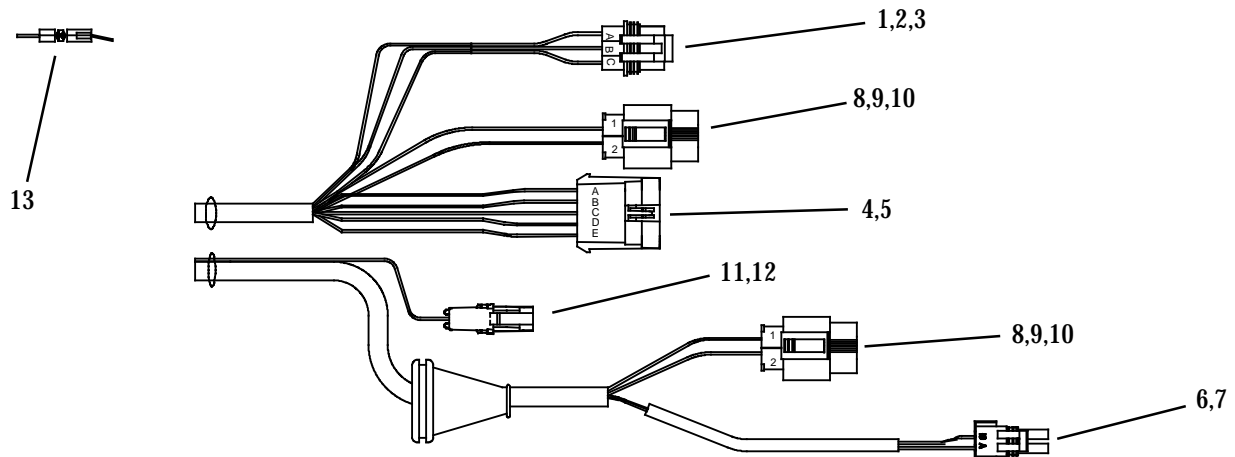
**TYPICAL PANEL COMPONENTS  
REFERENCE ONLY**

Item	Description
1	Fuses and Fuse Holders, <b>Refer to section 1.1</b> for proper replacement options
2	Harness Connectors, <b>Refer to section 1.32</b> for proper replacement options
3	Relays, <b>Refer to section 1.4</b> for proper replacement options
4	Relay Base Assemblies, <b>Refer to sections 1.2 and 1.3</b> for proper replacement options
5	Circuit Breakers, <b>Refer to section 1.6</b> for proper replacement options



**1.32 ELECTRICAL HARNESS Replacement Parts (THOMAS)**

**NOTE: Complete Wire Harnesses are Non-Stock Items. Replacement Components are Listed and can be cross referenced to supplier part number in manual T-375PL.**



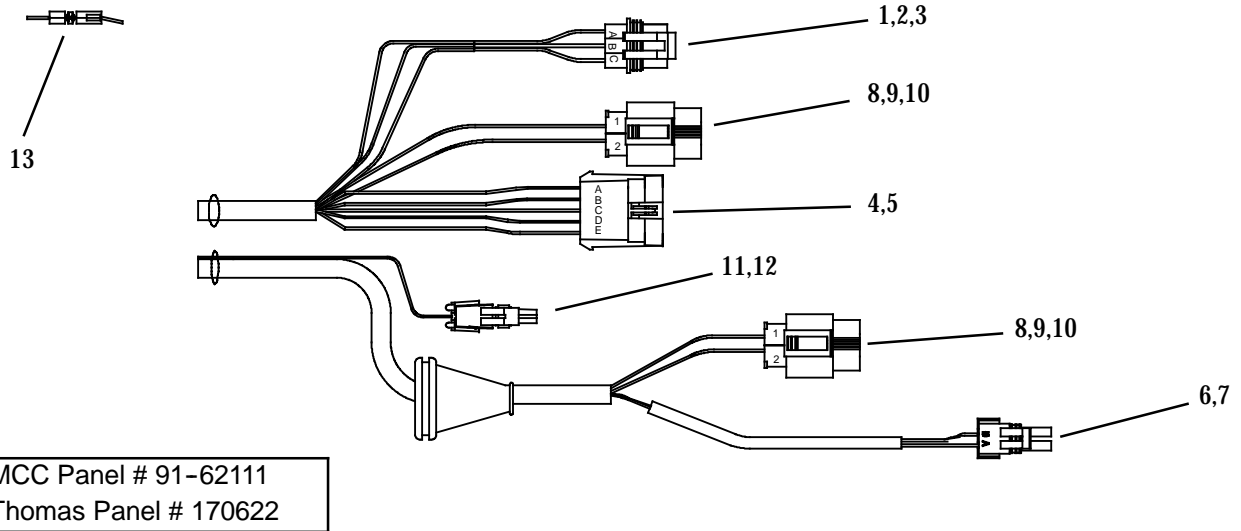
MCC Panel # 91-62113 & Y25-00148  
 Thomas Panel # 170623 & 218691

Item	Part Number	Description	Qty
1	22-50078-87	Connector, Female, 3 Pin, Black (Packard# 12124685)	1
2	22-50078-49E	Terminal, Female, 18-20 AWG (Packard# 12052457)	2
3	22-50078-49H	Terminal, Female, 10 AWG (Packard# 12052456)	1
4	22-50078-45	Connector, Male, 10 Pin, Black (Packard # 12045808)	1
5	22-50078-46A	Terminal, Male, 16-18 AWG (Packard # 12045773)	7
6	22-01585-02	Connector, Female, 2 Pin, Black (Packard # 12015378)	1
7	22-02393-01	Terminal, Male, 18-20 AWG (Packard # 12089040)	2
8	22-50098-71	Connector, Female, 2 Pin, Black (Tyco # 1544317-1)	2
9	22-50098-71B	Terminal, Female, 8 AWG (Tyco # 1544228-1)	3
10	22-50098-71A	Terminal, Female, 10-12 AWG (Tyco # 1544227-1)	1
11	22-50078-64	Connector, Male, 1 Pin, Black (Packard # 12010996)	1
12	22-02393-01	Terminal, Male, 18-20 AWG (Packard # 12089040)	2
13	AC201-600	In-Line Diode, 6 AMP (Taitron Components # GI 754)	2



1.32 ELECTRICAL HARNESS Replacement Parts (THOMAS) : Continued

**NOTE: Complete Wire Harnesses are Non-Stock Items. Replacement Components are Listed and can be cross referenced to supplier part number in manual T-375PL.**

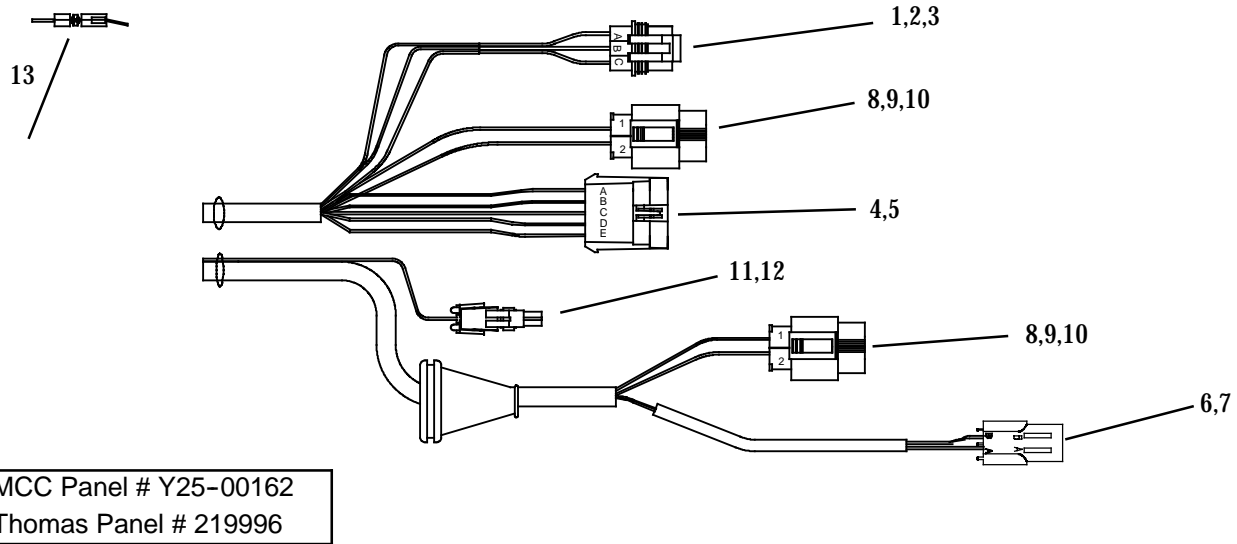


Item	Part Number	Description	Qty
1	22-50078-87	Connector, Female, 3 Pin, Black (Packard# 12124685)	1
2	22-50078-49E	Terminal, Female, 18-20 AWG (Packard# 12052457)	2
3	22-50078-49H	Terminal, Female, 10-12 AWG (Packard# 12052456)	1
4	22-50078-45	Connector, Male, 10 Pin, Black (Packard # 12045808)	1
5	22-50078-46A	Terminal, Male, 16-18 AWG (Packard # 12045773)	7
6	22-01585-02	Connector, Female, 2 Pin, Gray (Packard # 12015378)	1
7	22-02393-01	Terminal, Male, 18-20 AWG (Packard # 12089040)	2
8	22-50098-71	Connector, Female, 2 Pin, Black (Tyco # 1544317-1)	2
9	22-50098-71B	Terminal, Female, 8 AWG (Tyco # 1544228-1)	3
10	22-50098-71A	Terminal, Female, 10-12 AWG (Tyco # 1544227-1)	1
11	22-50078-63	Connector, Female, 1 Pin, Black (Packard # 12015791)	1
12	22-50078-58F	Terminal, Female, 18-20 AWG (Packard # 12089188)	1
13	AC201-600	In-Line Diode, 6 AMP (Taitron Components # GI 754)	2



1.32 ELECTRICAL HARNESS Replacement Parts (THOMAS) : Continued

**NOTE: Complete Wire Harnesses are Non-Stock Items. Replacement Components are Listed and can be cross referenced to supplier part number in manual T-375PL.**

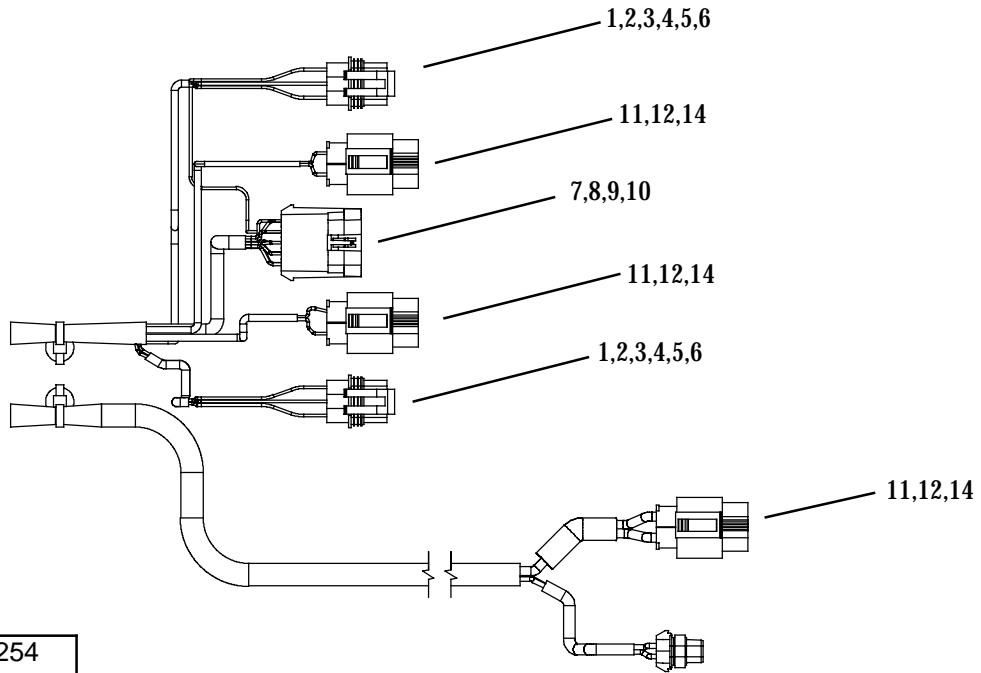


Item	Part Number	Description	Qty
1	22-50078-87	Connector, Female, 3 Pin, Black (Packard# 12124685)	1
2	22-50078-49E	Terminal, Female, 18-20 AWG (Packard# 12052457)	2
3	22-50078-49H	Terminal, Female, 10-12 AWG (Packard# 12052456)	1
4	22-50078-45	Connector, Male, 10 Pin, Black (Packard # 12045808)	1
5	22-50078-46A	Terminal, Male, 16-18 AWG (Packard # 12045773)	7
6	22-02392-01	Connector, Male (Shroud), 2 Pin, Gray (Packard # 12034074)	1
7	22-02393-01	Terminal, Male, 18-20 AWG (Packard # 12089040)	2
8	22-50098-71	Connector, Female, 2 Pin, Black (Tyco # 1544317-1)	2
9	22-50098-71B	Terminal, Female, 8 AWG (Tyco # 1544228-1)	3
10	22-50098-71A	Terminal, Female, 10-12 AWG (Tyco # 1544227-1)	1
11	22-50078-63	Connector, Female, 1 Pin, Black (Packard # 12015791)	1
12	22-50078-58F	Terminal, Female, 18-20 AWG (Packard # 12089188)	1
13	AC201-600	In-Line Diode, 6 AMP (Taitron Components # GI 754)	2



1.32 ELECTRICAL HARNESS Replacement Parts (THOMAS) : Continued

**NOTE: Complete wire harnesses are non-stock items. Replacement components are listed and can be cross referenced to supplier part number in manual T-375PL.**



MCC Panel # Y25-00254  
Thomas Panel # 170619

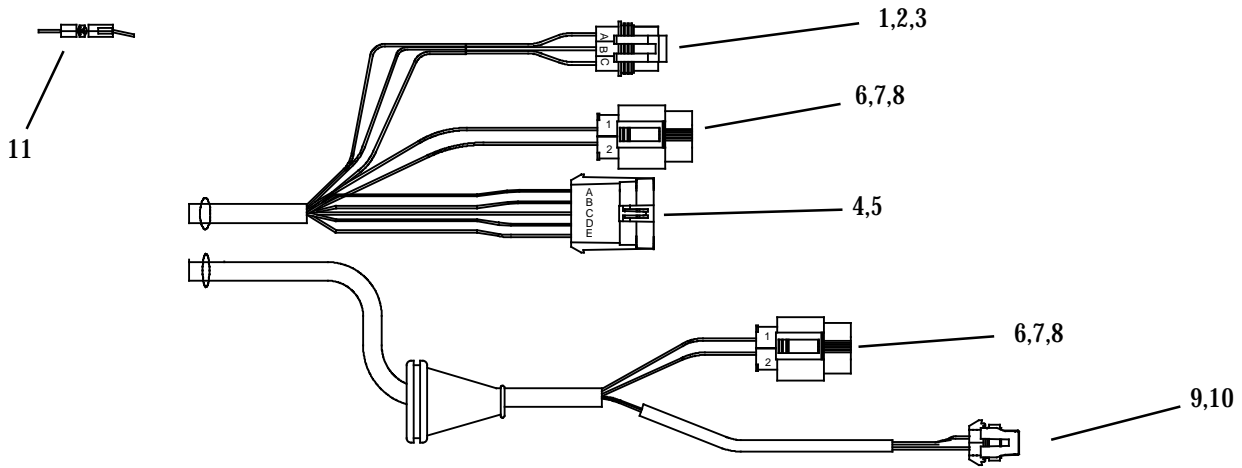
Item	Part Number	Description	Qty
1	22-50078-87	Connector, Female, 3 Pin, Black (Packard# 12124685)	3
2	22-50078-49E	Terminal, Female, 18-20 AWG (Packard# 12052457)	4
3	-	Seal, 18-20 AWG (Packard# 12059259)	4
4	22-50078-49H	Terminal, Female, 10-12 AWG (Packard# 12052456)	2
5	-	Seal, 10-12 AWG (Packard# 12059260)	2
6	22-50078-86A	Secondary Lock, TPA (Packard# 12045699)	2
7	22-50078-45	Connector, Male, 10 Pin, Black (Packard# 12045808)	1
8	22-50078-46A	Terminal, Male, 16-18 AWG (Packard# 12045773)	10
9	22-50078-50A	Seal, 16-18 AWG (Packard# 15324973)	10
10	22-50078-44A	Secondary Lock, TPA (Packard# 12124264)	1
11	22-50098-71	Connector, Female, 2 Pin, Black (Tyco# 1544317-1)	3
12	22-50098-71B	Terminal, Female, 8 AWG (Tyco# 1544228-1)	3
13	22-50098-67D	Seal, 8 AWG (Packard# 1544316-2)	3
14	22-50098-71A	Terminal, Female, 10-12 AWG (Tyco# 1544227-1)	3
15	22-50098-67C	Seal, 10-12 AWG (Packard# 1544316-1)	3
16	22-50078-73	Connector, Female, 2F M/P 150 (Packard# 12052641)	1
17	22-50078-46B	Terminal, Female, 16-18 AWG (Packard# 12048074)	2
18	-	Seal, 16-18 AWG (Packard# 12048086)	2
19	22-50078-72A	Secondary Lock, TPA (Packard# 12052634)	1





1.32 ELECTRICAL HARNESS Replacement Parts (THOMAS) : Continued

**NOTE: Complete Wire Harnesses are Non-Stock Items. Replacement Components are Listed and can be cross referenced to supplier part number in manual T-375PL.**

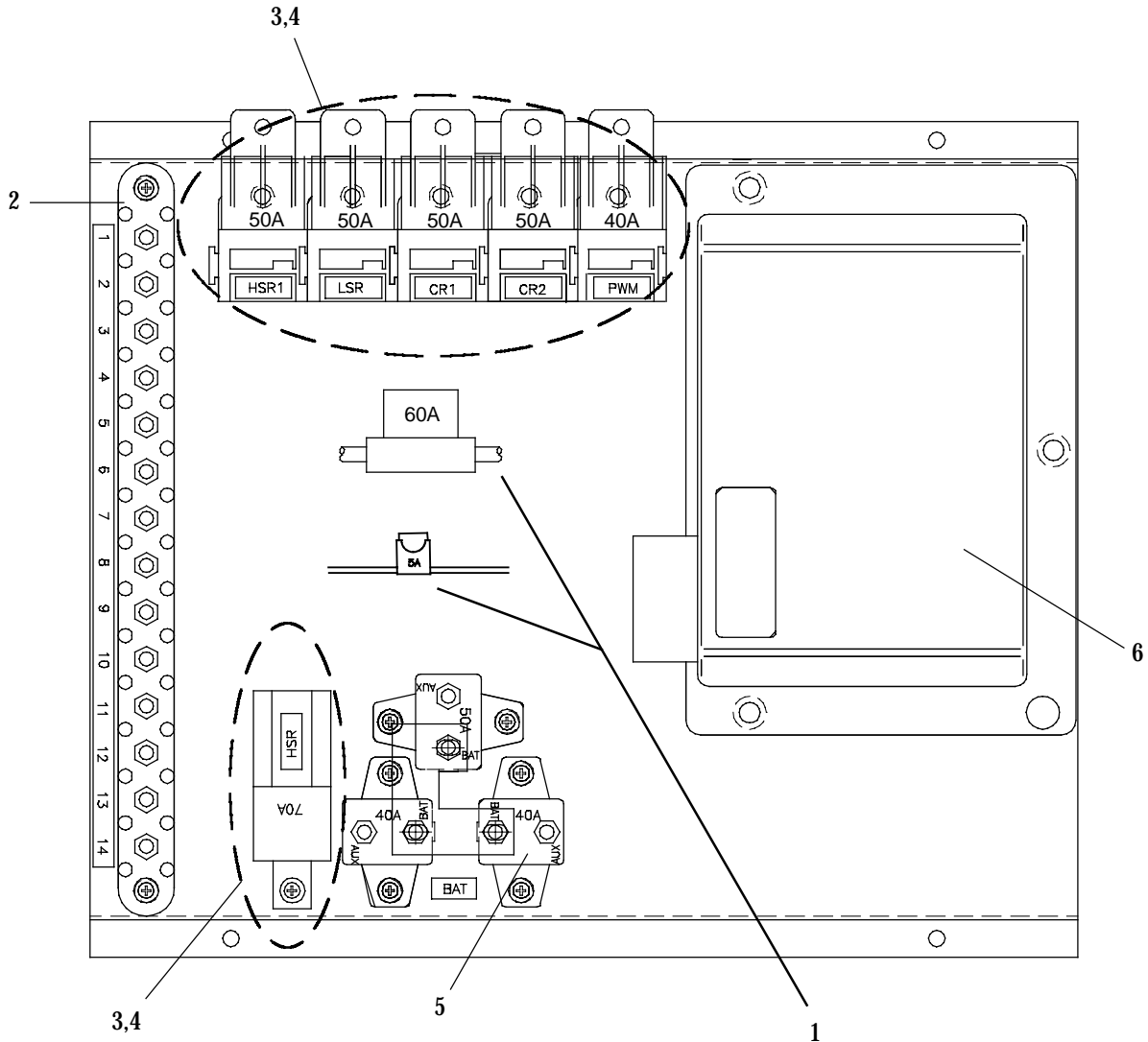


MCC Panel # 91-62110, 91-62112 & 91-62114  
 Thomas Panel # 170619, 170621 & 170620

Item	Part Number	Description	Qty
1	22-50078-87	Connector, Female, 3 Pin, Black (Packard# 12124685)	1
2	22-50078-49E	Terminal, Female, 18-20 AWG (Packard# 12052457)	2
3	22-50078-49H	Terminal, Female, 10-12 AWG (Packard# 12052456)	1
4	22-50078-45	Connector, Male, 10 Pin, Black (Packard# 12045808)	1
5	22-50078-46A	Terminal, Male, 16-18 AWG (Packard# 12045773)	7
6	22-50098-71	Connector, Female, 2 Pin, Black (Tyco# 1544317-1)	2
7	22-50098-71B	Terminal, Female, 8 AWG (Tyco# 1544228-1)	3
8	22-50098-71A	Terminal, Female, 10-12 AWG (Tyco# 1544227-1)	1
9	22-50078-73	Connector, Female, 2 Pin, Black (Packard# 12052641)	1
10	22-50078-46B	Terminal, Female, 16-18 AWG (Packard# 12048074)	2
11	AC201-600	In-Line Diode, 6 AMP (Taitron Components # GI 754)	1



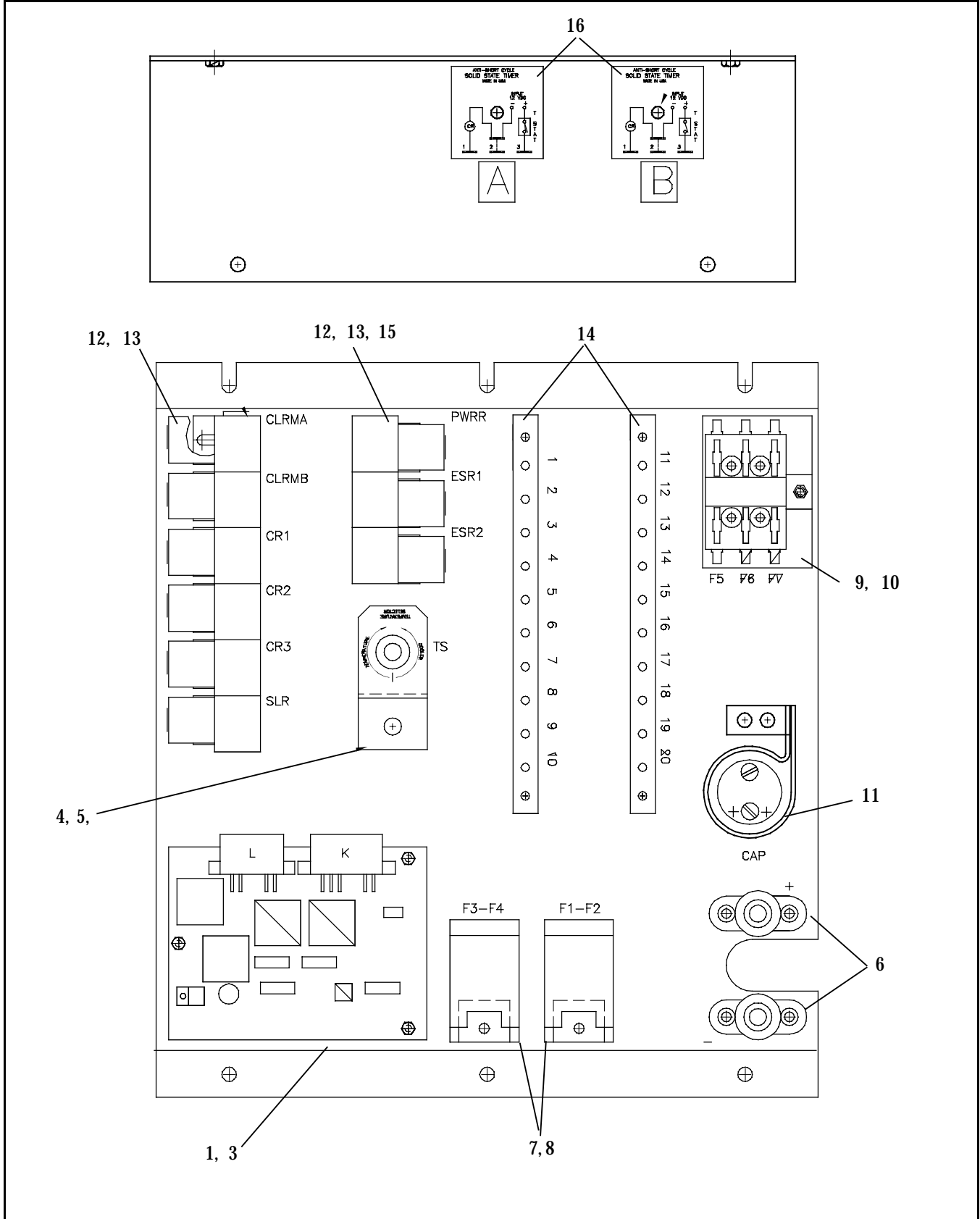
1.33 PANEL ASSEMBLIES, TOTAL CONTROL (TYPICAL)



Item	Description
1	Fuses and Fuse Holders, <b>Refer to section 1.1</b> for proper replacement options
2	Terminal Boards, <b>Refer to section 1.7</b> for proper replacement options
3	Relays, <b>Refer to section 1.4</b> for proper replacement options
4	Relay Base Assemblies, <b>Refer to sections 1.2 and 1.3</b> for proper replacement options
5	Circuit Breakers, <b>Refer to section 1.6</b> for proper replacement options
6	Module, Logic <b>Refer to section 1.22</b> for proper replacement options



1.34 CONTROL PANEL, EM-17 SPLIT, KR-4D, (24 VDC)

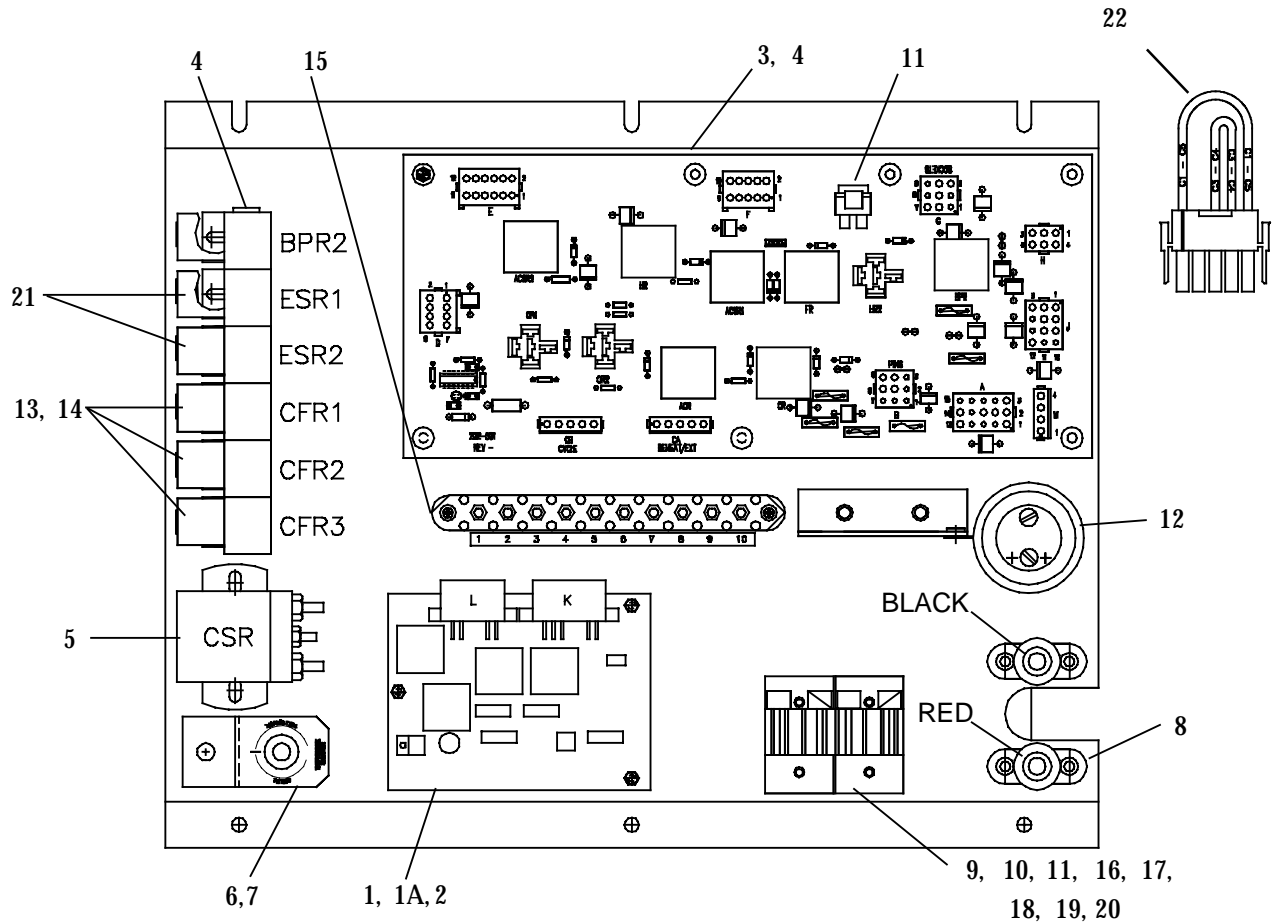




<b>1.34 CONTROL PANEL, EM-17 SPLIT, KR-4D, (24 VDC) - Continued:</b>			
<b>Item</b>	<b>Part Number</b>	<b>Description</b>	<b>Qty</b>
<b>NSI</b>	91-62035-00 (Ref)	Assembly Panel, EM-17 Split, KR-4D, (24 VDC) - (Above), Includes:	<b>1</b>
1	12-00657-00	Controller, Temp-4 Relay, W/O Box - Includes:	1
2	Y25-00001-02	Relay, SPDT, 40Amp, 24V	4
3	AC201-508	Return Air Probe	1
4	10-00311-00	Temperature Selector	1
5	10-00312-00	Knob, Temperature Selector	1
6	25-0781	Stud-Type, Junction Block, (3/8-16)	2
7	22-01828-00	Fuse Holder (For 22-02336-16)	4
8	22-02336-16	Fuse, 40 Amp, (Use With Fuse Holder 22-01828-00)	4
9	-	Fuse Holder, 6 PC. Common Ground, (For AC201-123)	<b>NSI</b>
10	22-02336-06	Fuse, 15 Amp, (ATC)	3
11	AC201-634	Capacitor, 50 VDC, 18,000 Micro F.	1
12	AC201-901	Connector, Relay Socket	10
13	AC201-931	Lock, Packard Connector	10
14	22-02897-07	Terminal Board, 10 Position	2
15	Y25-00001-00	Relay, 12 VDC, 30 Amp	3
16	10-00436-01	Lockout, Timer, 24 VDC	2



**1.35 CONTROL PANEL, EM-17 & CM-5, (WITH HEAT)**



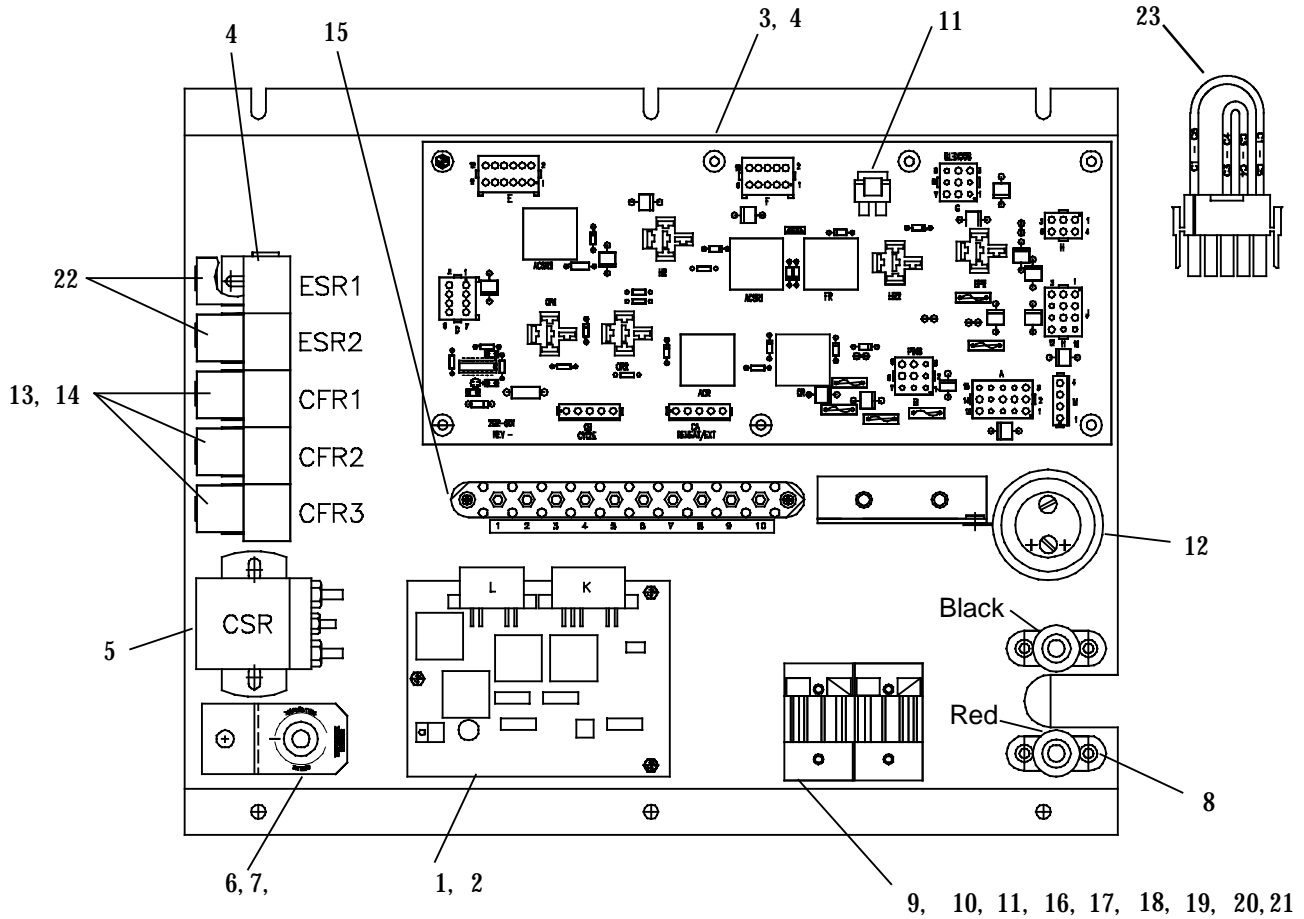
Item	Part Number	Description	Qty
NSI	91-62011-01	Assembly, Panel, EM-17 With CM-5, (With Heat), Above, Includes:	1
1	12-00657-00	Controller, Temp-4 Relay, W/O Box - Includes:	1
1A	Y25-00001-02	Relay, Single Pole, Double Throw, (24 VDC)	4
2	AC201-508	Return Air Probe	1
3	AC202-501	Relay Board, Fused	1
4	Y25-00001-02	Relay, Single Pole, Double Throw, (24 VDC)	13
5	10-00300-02	Solenoid, Normally Open (N.O.), 28 VDC	1
6	10-00311-00	Temperature Selector	1
7	10-00312-00	Knob, Temperature Selector	1
8	25-0781	Junction Block, Stud-Type, (3/8-16) Black	1
	25-2420	Junction Block, Stud-Type, (3/8-16) Red	1
9	22-02336-16	Fuse, 40 Amp, (Use With Fuse Holder 22-01828)	2
10	22-02336-17	Fuse, 60 Amp, (Use With Fuse Holder 22-01828)	1
11	22-02336-06	Fuse, 15 Amp, (ATC)	6
12	AC201-634	Capacitor, 50 VDC, 18,000 Micro F.	1
13	AC201-901	Connector, Relay Socket	4
14	AC201-931	Lock, Packard Connector	4



<b>1.35 CONTROL PANEL, EM-17 &amp; CM-5, (WITH HEAT) - Continued:</b>			
<b>Item</b>	<b>Part Number</b>	<b>Description</b>	<b>Qty</b>
15	22-02897-07	Terminal Board, 10 Position	1
16	22-62036-00	Fuse Holder, 7 Position	1
17	22-62037-00	Maxifuse Holder, 4 Position	1
18	22-62039-01	Secondary Lock, (Used with 22-62036-00)	12
19	22-62039-02	Secondary Lock, (Used with 22-62037-00)	6
20	22-62040-00	Locking Wedge, (Fuse Holder)	2
21	22-62216-00	Connector/Lock Assembly, RElay, With Wiring (ESR) - Includes:	2
21A	AC201-901	Connector, Relay	1
21B	AC201-931	Lock, Connector, Relay	1
22	AC202-502	Connector, Reheat/Cycle, Jumper	1



**1.36 CONTROL PANEL, EM-17 & CM-5 (W/O HEAT)**



Item	Part Number	Description	Qty
NSI	91-62011-00	Assembly, Panel, EM-17 With CM-5, Shown Above, Includes:	1
1	12-00657-00	Controller, Temp-4 Relay, W/O Box - Includes:	1
1A	Y25-00001-02	Relay, Single Pole, Double Throw, (24 VDC)	4
2	AC201-508	Return Air Probe	1
3	AC202-501	Relay Board, Fused	1
4	Y25-00001-02	Relay, Single Pole, Double Throw, (24 VDC)	10
5	10-00300-02	Solenoid, Normally Open (N.O.), 28 VDC	1
6	10-00311-00	Temperature Selector	1
7	10-00312-00	Knob, Temperature Selector	1
8	25-0781	Junction Block, Stud-Type, (3/8-16) Black	1
	25-2420	Junction Block, Stud-Type, (3/8-16) Red	1
9	22-02336-16	Fuse, 40 Amp, (Use With Fuse Holder 22-01828)	2
10	22-02336-17	Fuse, 60 Amp, (Use With Fuse Holder 22-01828)	1
11	22-02336-06	Fuse, 15 Amp, (ATC)	6
12	AC201-634	Capacitor, 50 VDC, 18,000 Micro F.	1
13	AC201-901	Connector, Relay Socket	3
14	AC201-931	Lock, Packard Connector	3

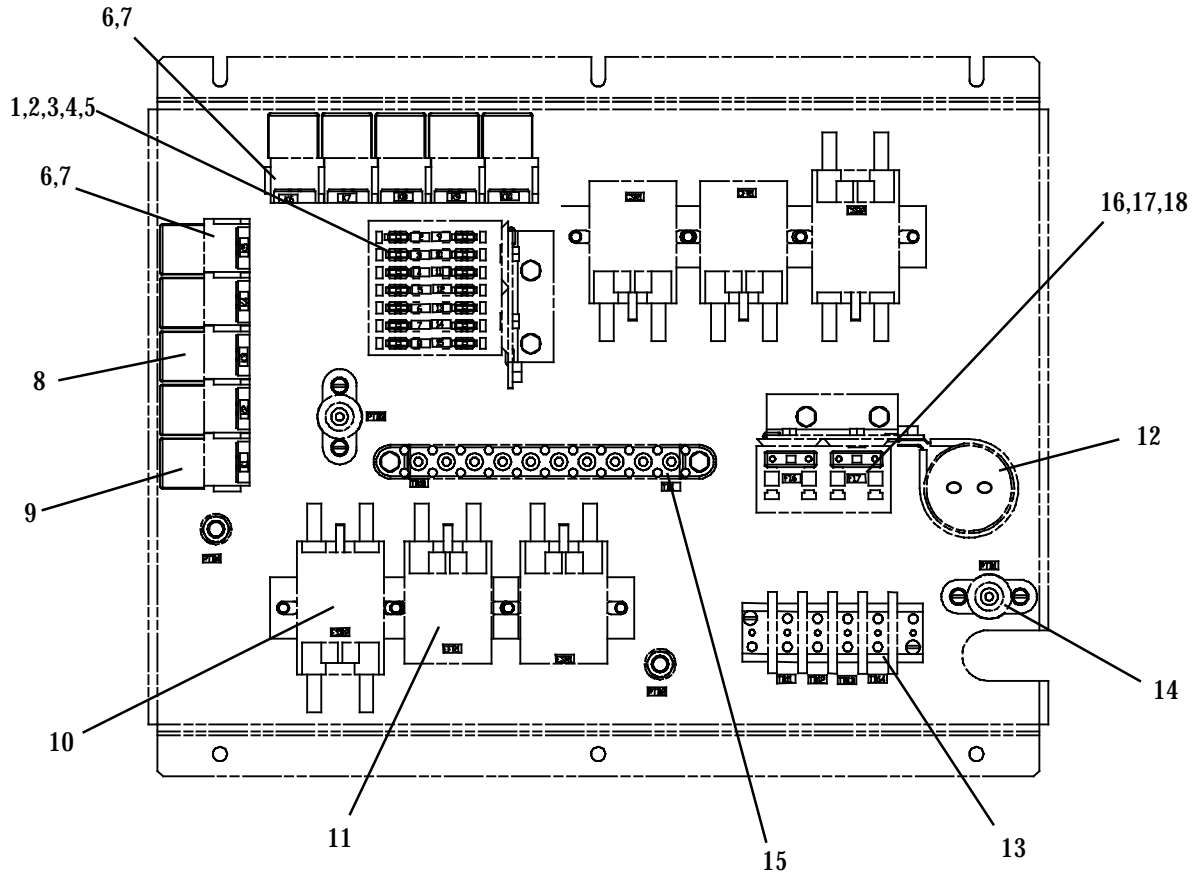


<b>1.36 CONTROL PANEL, EM-17 &amp; CM-5 - (W/O HEAT) Continued:</b>			
<b>Item</b>	<b>Part Number</b>	<b>Description</b>	<b>Qty</b>
15	22-02897-07	Terminal Board, 10 Position	1
16	22-62036-00	Fuse Holder, 7 Position	1
17	22-62037-00	Maxifuse Holder, 4 Position	1
18	22-62038-00	Mounting Bracket, (Fuse Holder)	2
19	22-62039-01	Secondary Lock, (22-62036-00)	12
20	22-62039-02	Secondary Lock, (22-62037-00)	6
21	22-62040-00	Locking Wedge, (Fuse Holder)	2
22	22-62216-00	Connector/Lock Assembly, Relay, With Wiring (ESR) - Includes:	2
22A	AC201-901	Connector, Relay	1
22B	AC201-931	Lock, Connector, Relay	1
23	AC202-502	Connector, Reheat/Cycle, Jumper	1





**1.37 CONTROL PANEL, EM-17 & KR4, 91-62011-04**



Item	Part Number	Description	Qty
NSI	91-62011-04	Assembly, Panel, EM-17 With KR-4, Shown Above, Includes:	1
1	22-62036-00	Fuse Holder, ATC	2
2	22-62040-00	Secondary Lock, Wedge, Fuse Holder	2
3	22-62039-01	Secondary Lock, Fuse Holder	28
4	22-02336-21	Fuse, 5 Amp	8
5	22-02336-06	Fuse, 15 Amp	6
6	AC201-901	Connector, Relay Socket	10
7	AC201-931	Lock	10
8	10-00286-13	Relay, 24VDC	9
9	10-00286-07	Relay, 12VDC	1
10	10-00300-07	Contactora,28 VDC, N.O.	2
11	10-00300-02	Contactora,28 VDC, N.O.	4
12	AC201-634	Capacitor, 50 V, 18,000 micro f	1
13	22-62100-03	Terminal Block, 4 Position	1
14	25-2420	Junction Block, Stud-Type, (3/8-16) Red	2
15	22-02897-07	Terminal Block, 10 Position	1
16	22-62037-00	Fuse Holder, Maxi	1
17	22-62237-00	Secondary Lock, Fuse Holder	4
18	22-02336-16	Fuse, 40 Amp, Maxi	2



# INDEX

PART NO.	PAGE NO.	PART NO.	PAGE NO.
<b>1</b>		22-02336-31	1
10-00286-00	3	22-02336-32	1
10-00286-07	37	22-02338-02	1
10-00286-12	3	22-02897-07	4, 32, 34, 36, 37
10-00286-13	37	22-02897-09	4, 20, 21
10-00286-14	3	22-02897-11	4
10-00300-02	33, 35, 37	22-02897-13	4, 22
10-00300-07	37	22-02898-00	1
10-00311-00	32, 33, 35	22-50078-18	2, 20, 21, 22, 23
10-00312-00	32, 33, 35	22-50091-00	7
10-00328-07	2	22-60168-03	16
10-00436-01	32	22-60168-04	16
12-00305-07	17	22-60551-07	16
12-00512-02	16	22-62007-00	5
12-00567-00	16	22-62036-00	34, 36, 37
12-00570-00	16	22-62037-00	34, 36, 37
12-00657-00	32, 33, 35	22-62038-00	36
12-00672-00	17	22-62039-01	34, 36, 37
12-00672-01	17	22-62039-02	34, 36
12-00672-03	17	22-62040-00	34, 36, 37
12-00685-00	5	22-62100-03	37
<b>2</b>		22-62101-00	5
22-01828-00	32	22-62102-00	5
22-02336-01	1	22-62103-00	5
22-02336-02	1	22-62110-00	1, 2, 21, 22
22-02336-04	1	22-62119-00	1
22-02336-06	1, 32, 33, 35, 37	22-62119-01	1
22-02336-15	1	22-62119-02	1
22-02336-16	32, 33, 35, 37	22-62122-00	12
22-02336-17	1, 2, 21, 22, 33, 35	22-62131-00	11
22-02336-21	37	22-62169-00	5
22-02336-25	7	22-62210-00	2
		22-62210-02	2
		22-62210-04	2
		22-62210-05	2



# INDEX

PART NO.	PAGE NO.	PART NO.	PAGE NO.
22-62212-00	14	54-00588-00	9
22-62212-01	14	54-00606-00	9
22-62212-02	14	54-00618-01	7
22-62213-00	14	54-00618-02	7
22-62213-01	14	54-50080-00	7
22-62214-30	14		
22-62214-58	14	<b>7</b>	
22-62214-68	14	76-62019-00	5
22-62216-00	34, 36	77-62135-00	10
22-62237-00	37		
22-62238-00	2	<b>9</b>	
22-62238-01	2	91-62011-00	35
22-62238-02	2	91-62011-01	33
22-62238-03	2		
22-62290-00	17	<b>A</b>	
22-62290-02	17	AC040-074	8
22-62290-03	17	AC201-101	4
22-62290-04	17	AC201-102	4
22-62290-06	17	AC201-105	4, 20, 21, 22, 23
22-62290-07	17	AC201-105-1	4, 20
25-0568	15	AC201-106	4, 21, 22
25-0781	5, 32, 33, 35	AC201-107	4, 20
25-2420	5, 33, 35, 37	AC201-109	4
		AC201-112	4, 20, 21, 22, 23
<b>3</b>		AC201-113	4
30-62004-00	6	AC201-119	4
35-1056	17	AC201-121	4
		AC201-302	3
<b>4</b>		AC201-303	3
401-215	8	AC201-305	10, 12, 13
		AC201-400	5
<b>5</b>		AC201-403	5
54-00546-03	8	AC201-404	5
		AC201-409	5



# INDEX


PART NO.	PAGE NO.	PART NO.	PAGE NO.
AC201-410	5	AC401-209A	8
AC201-412	5	AC401-210A	8
AC201-414	5	AC401-217	8
AC201-500	5, 10, 11, 12, 13	AC401-220	8
AC201-501	5	AC401-221	8
AC201-508	32, 33, 35	AC401-222	8
AC201-600	5, 22, 25, 26, 27, 29	AC401-229	8
AC201-609	5	AC401-233	9
AC201-610	5	AC501-102A	7
AC201-611	5	AC501-103A	7
AC201-623	5	AC501-122	7
AC201-634	32, 33, 35, 37	AC701-206	10, 11, 12, 13
AC201-800	3		
AC201-803	3	<b>T</b>	
AC201-804	3	T25-3756	15
AC201-812	3	T35-1298	15
AC201-901	20, 21, 22, 23, 32, 33, 34, 35, 36, 37	T35-1299	15
AC201-902	10, 12	T35-1300	15
AC201-922	2		
AC201-931	20, 21, 22, 23, 32, 33, 34, 35, 36, 37	<b>Y</b>	
AC202-300	10, 11, 12, 13	Y24-00196-00	13
AC202-301	10, 11, 12	Y24-00196-01	13
AC202-303	10, 11, 12, 13	Y25-00001-00	3, 32
AC202-305	10	Y25-00001-02	3, 32, 33, 35
AC202-307	10, 11, 12, 13	Y25-00001-05	3, 20, 21, 22, 23
AC202-501	33, 35	Y25-00012-00	18
AC202-502	34, 36	Y25-00013-00	18
AC302-305	12, 13	Y25-00014-00	18
AC401-100	7	Y25-00022-00	12
AC401-200A	8	Y25-00031-00	18
AC401-202	8, 9	Y25-00032-00	18
AC401-203	9	Y25-00089-00	2, 3, 20, 21, 22, 23
AC401-204	8	Y45-00006-00	6

# Every driver deserves the best possible vehicle climate with MCC products

MCC provides exceptional performance in mobile climate comfort.



[www.mcc-hvac.com](http://www.mcc-hvac.com)

Member of MCC Group  Certified ISO 9001 and ISO 1 4001.  
Specifications subject to change without notice. MCC is a registered trademark.