

SYMBOL	DESCRIPTION
ACMS	A/C MODE SWITCH
ACR	A/C RELAY
ACRS1	A/C STOP RELAY #1 (TIME DELAYED)
ACRS2	A/C STOP RELAY #2 (TIME DELAYED)
CFR1-CFR3	CONDENSER FAN RELAY
CFS1-CFS2	CONDENSER FAN SPEED SWITCH
CL	CLUTCH
CF1-CF5	CONDENSER FAN MOTORS
CR	CLUTCH RELAY
CSR	CONDENSER SPEED RELAY
D1-D30	DIODES
DA2-DR2	DEUTSCH CONNECTOR 2 (EVAP)
DA1-DR1	DEUTSCH CONNECTOR 1 (COND)
EM1	EVAPORATOR FAN MOTOR #1
EM2	EVAPORATOR FAN MOTOR #2
ESR1-ESR2	EVAPORATOR SPEED RELAY
FR	FAULT RELAY
F2-F11,F15	FUSE, 15 AMP
F12-F13	FUSE 40A
F14	FUSE 60A
HPS	HIGH PRESSURE SWITCH
LATH	LOW AMBIENT THERMOSTAT
LPS	LOW PRESSURE SWITCH
LLS	LIQUID LINE SOLENOID
TB1,3,5	TERMINAL STRIP POSITIONS
UPS1	UNLOADER PRESSURE SWITCH #1
UPS2	UNLOADER PRESSURE SWITCH #2
UPS3	UNLOADER PRESSURE SWITCH #3
UV1	UNLOADER VALVE #1
UV2	UNLOADER VALVE #2

SCHEMATIC NO. 98-62158 - COOL, R-134A, P/M CONDENSER & P/M EVAPORATOR MOTORS
 THIS SCHEMATIC SHOULD NOT BE CHANGED UNLESS APPROVED BY A/C INDUSTRIES ENG.

- NOTES
- UNIT SHOWN IS IN THE OFF POSITION.
 - RELAY CONTACTS SHOWN ARE IN THEIR NORMAL UNENERGIZED POSITION.
 - ADDRESS SYSTEM: EXAMPLE, CB6-CR30 INDICATES A WIRE BETWEEN CIRCUIT BREAKER #6 AND CLUTCH RELAY TERMINAL #30.
 - WIRE IDENTIFICATION SYSTEM:
 COLORS: WHITE - DC CONTROL CIRCUIT
 GREEN - GROUND
 YELLOW - OPTIONAL CIRCUITS

SYM	REVISION RECORD	DATE	BY	ENGR.	M.E.	NPCA NO.
C	INACTIVE	MAY 17, 2010	TDL	KMS		68N0458P10
B	REV SHEET INDEX, REV. SHT NO.2, ADD ACMS NOTE	JAN 4, 2004	TDL			68N415GP05
A	ADDED 150 AMP FUSE, REM. CONTROL ACTION DIAGRAM	8/9/02	TDL			68N409GP02/39

CAD SYSTEM: **AutoCAD**

THIRD ANGLE PROJECTION

MATERIAL: AA

IMPERIAL INCH FORMAT:
 UNLESS OTHERWISE SPECIFIED DIMENSIONS ARE IN INCHES, WITH METRIC CONVERSIONS IN [MILLIMETERS].

UNLESS OTHERWISE SPECIFIED TOLERANCES ON:
 .00 DEC .000 DEC DEC ANG
 ± .04 ± .020 ± ± 2'
 [.0] DEC [.00] DEC DEC
 ±[1.0] ±[.50] ± []

SURFACES: AA
 HOLE DIA. ±.005 ±.13
 HOLE SPACING ±.015 ±.38
 HOLE LOC ±.03 ±.8

DIMENSIONS IN (PARENTHESIS) ARE FOR INFORMATION ONLY. TOLERANCES DO NOT APPLY.

Carrier
 A United Technologies Company
 Carrier Refrigeration Operations
 Carrier Transport A/C
 715 Willow Springs Lane
 York, Pennsylvania 17402 USA

THIS DOCUMENT AND THE INFORMATION CONTAINED THEREIN IS PROPRIETARY TO CARRIER CORPORATION AND SHALL NOT BE USED OR DISCLOSED TO OTHERS, IN WHOLE OR IN PART, WITHOUT THE WRITTEN AUTHORIZATION OF CARRIER CORPORATION.

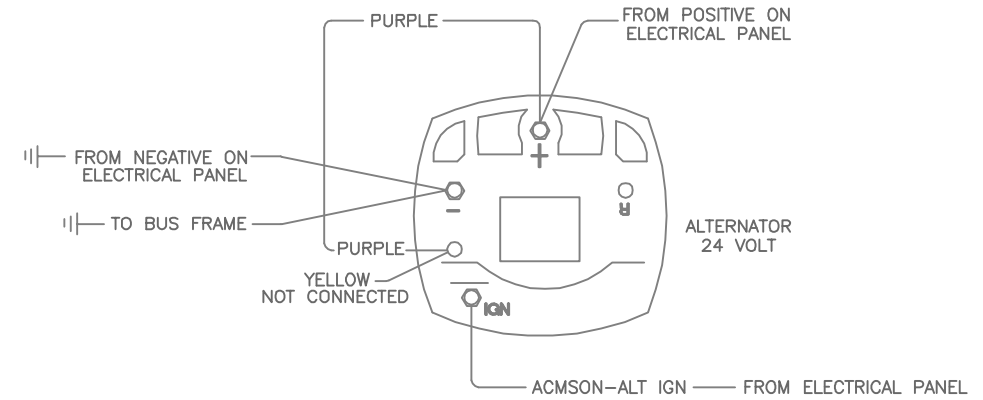
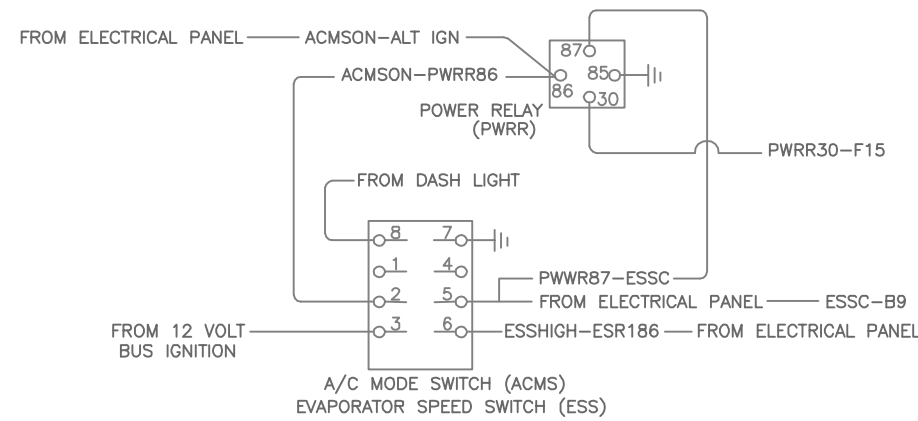
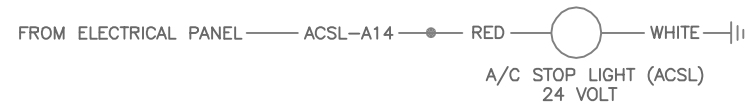
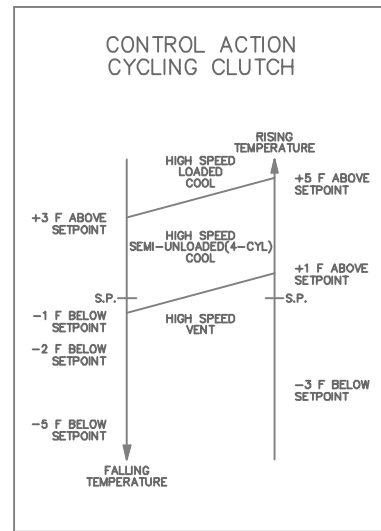
TITLE: **SCHEMATIC**
 EM-17/ CM-5 W/O5G

SIZE: D DRAWING NO. 98-62158 REV C
 SHEET 1 OF 2

NEXT DRAWING: NONE SCALE: FULL

DWG NO. 98-62158 REV C

CONTROL ACTION DIAGRAM



- INDICATES RELAY BOARD TRACE
- - - INDICATES OPTIONAL R.B. TRACE
- AI INDICATES PLUG LOCATION ON RELAY BOARD
- INDICATES A WIRE GROUND
- - - INDICATES BUS WIRING
- INDICATES STANDARD OPTIONS
- ⊙ INDICATES A TERMINAL CONNECTION
- ← ← INDICATES A CONNECTOR (WEATHER PACK)
- ⋈ INDICATES A NORMALLY OPEN CONTACT
- ⋈ INDICATES A NORMALLY CLOSED CONTACT
- TB INDICATES TERMINAL STRIP

'INACTIVE'

DIAGRAM SUPPLEMENT FOR SCHEMATIC 98-62158
COOL, R134A, P/M COND, P/M EVAP

SYM	REVISION RECORD	DATE	BY	ENGR.	M.E.	NPCA NO.	WEIGHT	MFG/PURCH	MFG
C	INACTIVE	MAY 17, 2010	TDL	KMS		68N0458P10			
A	ADDED CONTROL ACTION DIAGRAM	8/9/02	TDL			68N409GP02/39			

CAD SYSTEM: AutoCAD		IMPERIAL INCH FORMAT: UNLESS OTHERWISE SPECIFIED DIMENSIONS ARE IN INCHES, WITH METRIC CONVERSIONS IN [MILLIMETERS].		Carrier A United Technologies Company Carrier Refrigeration Operations Carrier Transport A/C 715 Willow Springs Lane York, Pennsylvania 17402 USA		
THIRD ANGLE PROJECTION 		UNLESS OTHERWISE SPECIFIED TOLERANCES ON: .00 DEC .000 DEC DEC ANG ± .04 ± .020 ± ± 2° [.0] DEC [.00] DEC DEC ±[1.0] ±[.50] ± []		THIS DOCUMENT AND THE INFORMATION CONTAINED THEREIN IS PROPRIETARY TO CARRIER CORPORATION AND SHALL NOT BE USED OR DISCLOSED TO OTHERS, IN WHOLE OR IN PART, WITHOUT THE WRITTEN AUTHORIZATION OF CARRIER CORPORATION.		
MATERIAL		SURFACES HOLE DIA. HOLE SPACING HOLE LOC ✓ AA ± .005 ± .015 ± .03 ± [.13] ± [.38] ± [.8]		TITLE SCHEMATIC		
		DIMENSIONS IN (PARENTHESIS) ARE FOR INFORMATION ONLY. TOLERANCES DO NOT APPLY.		SIZE DRAWING NO. REV D 98-62158 C SHEET 2 OF		
		NEXT DRAWING SCALE NONE FULL		EM-17 COMMODITY CODE		

REV 98-62158 DWG NO 98-62158