

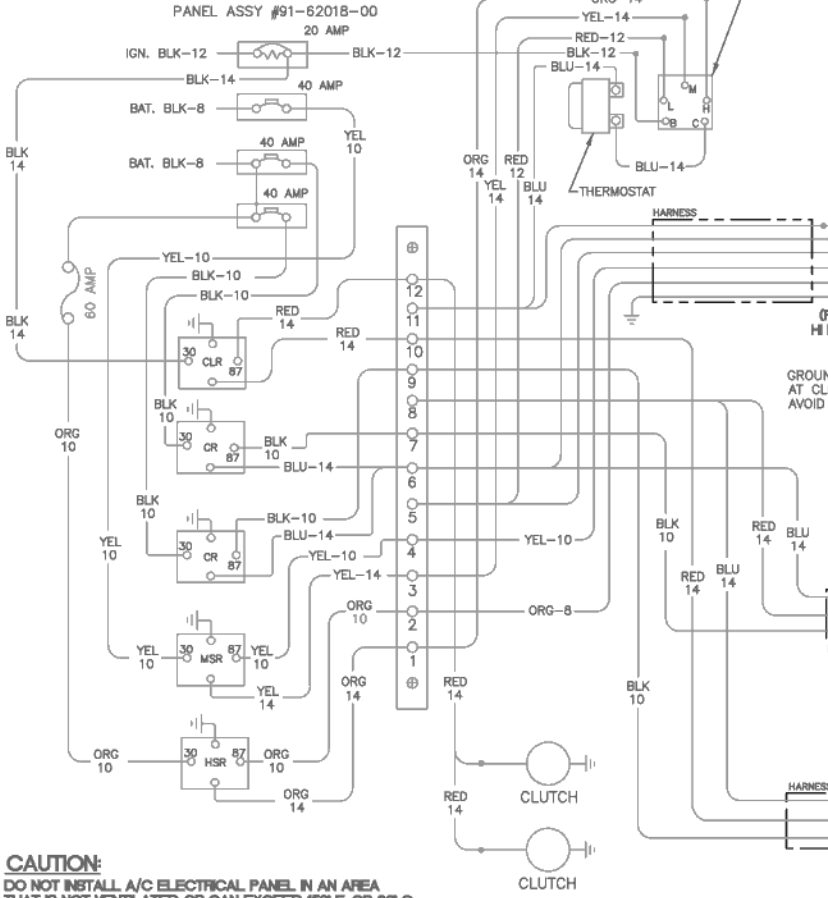


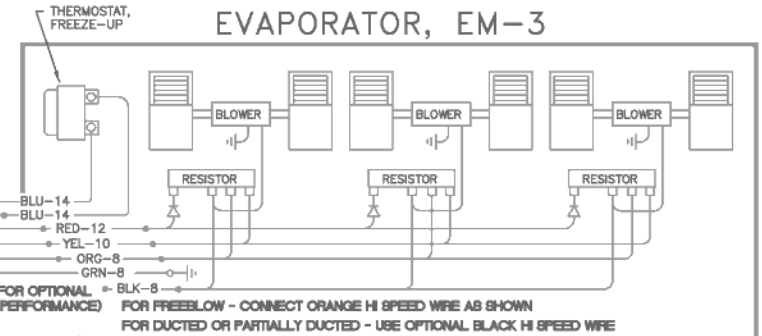
NOTES:
 1.0 THIS DRAWING WAS DEVELOPED IN ACCORDANCE WITH CTD
 ENGINEERING REQUIREMENT 57-00583-00 AND SHOULD BE
 INTERPRETED ACCORDINGLY BY BOTH INTERNAL CTD
 MANUFACTURING PERSONNEL AND EXTERNAL SUPPLIERS.

CIRCUIT BREAKER IDENTIFICATION
 TYPE III MANUAL RESET—RESETS WHEN EXTERNAL BUTTON IS PUSHED.
 TYPE II—RESETS WHEN OVERCURRENT IS CORRECTED OR REMOVED.

CIRCUIT BREAKER COLOR CODE
 20 AMP—YELLOW DOT
 30 AMP—GREEN DOT
 40 AMP—RED DOT

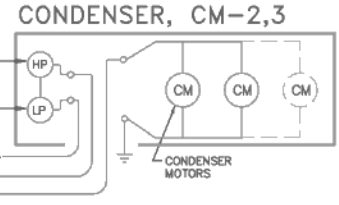
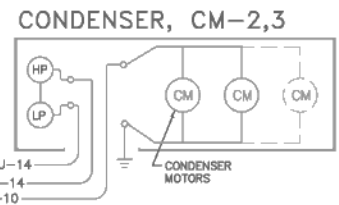


TO PREVENT THE POSSIBILITY OF ELECTRICAL SHORT, THE UNUSED HIGH SPEED WIRE, IN THE EVAPORATOR HARNESS, I.E. HIGH PERFORMANCE (BLACK) OR HIGH STANDARD (ORANGE), MUST BE CAPPED OR TAPED AT ITS TERMINATION.



GROUND EVAP. TO CHASSIS AT CLOSEST POINT TO AVOID VOLTAGE LOSS

WHEN EVAP. HARNESS LENGTH EXCEEDS 25' EXCESSIVE VOLTAGE DROP MAY OCCUR RESULTING IN LESS THAN OPTIMUM PERFORMANCE. TO PREVENT THIS IT IS RECOMMENDED THAT BOTH ORANGE & BLACK 8 GA. WIRES BE USED IN PARALLEL TO POWER HIGH SPEED.



CAUTION:
 DO NOT INSTALL A/C ELECTRICAL PANEL IN AN AREA THAT IS NOT VENTILATED OR CAN EXCEED 150° F. OR 66° C.

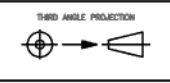
NOTE:
 DISCONNECT OEM DASH AIR CLUTCH WIRE WHEN WIRING A/C SYSTEM (UNLESS WIRING MAX SYSTEM)

'VOID'

B	VOID & DISCONTINUED	AUG 27, 2010	TDL		68N449GP09
A	INITIAL RELEASE	4/6/01	TDL		68N493GN01
SYM	REVISION RECORD	DATE	BY	ENGR.	M.E.
					NPCA NO.
					WEIGHT
					MFG/PURCH/ MFG

CAD SYSTEM AutoCAD

IMPERIAL INCH FORMAT:
 UNLESS OTHERWISE SPECIFIED DIMENSIONS ARE IN INCHES, WITH METRIC CONVERSIONS IN [MILLIMETERS].



UNLESS OTHERWISE SPECIFIED TOLERANCES ON:
 .00 DEC .000 DEC DEC ANG
 ± .04 ± .020 ± ± 2°
 [0]DEC [00]DEC DEC
 ±[1.0] ±[.50] ± []

MATERIAL

SURFACES
 ✓ AA
 HOLE DIA. ±.005 ±.015 ±.03
 ±(.15) ±(.38) ±(.8)

HOLE SPACING HOLE LOC
 ±.005 ±.015 ±.03
 ±(.15) ±(.38) ±(.8)

DIMENSIONS IN PARENTHESES ARE FOR INFORMATION ONLY. TOLERANCES DO NOT APPLY.

Carrier
 A United Technologies Company
 Carrier Refrigeration Operations
 Carrier Transport A/C
 715 Wilke Springs Lane
 York, Pennsylvania 17406 USA

THIS DOCUMENT AND THE INFORMATION CONTAINED THEREIN IS PROPRIETARY TO CARRIER CORPORATION AND SHALL NOT BE USED OR DISCLOSED TO OTHERS, IN WHOLE OR IN PART, WITHOUT THE WRITTEN APPROVAL OF CARRIER CORPORATION.

TITLE
WIRE, DIAGRAM

AC-862/863

SIZE DRAWING NO. 98-62323 REV B
 SHEET 1 OF 1

NEXT DRAWING NONE SOLE FULL