

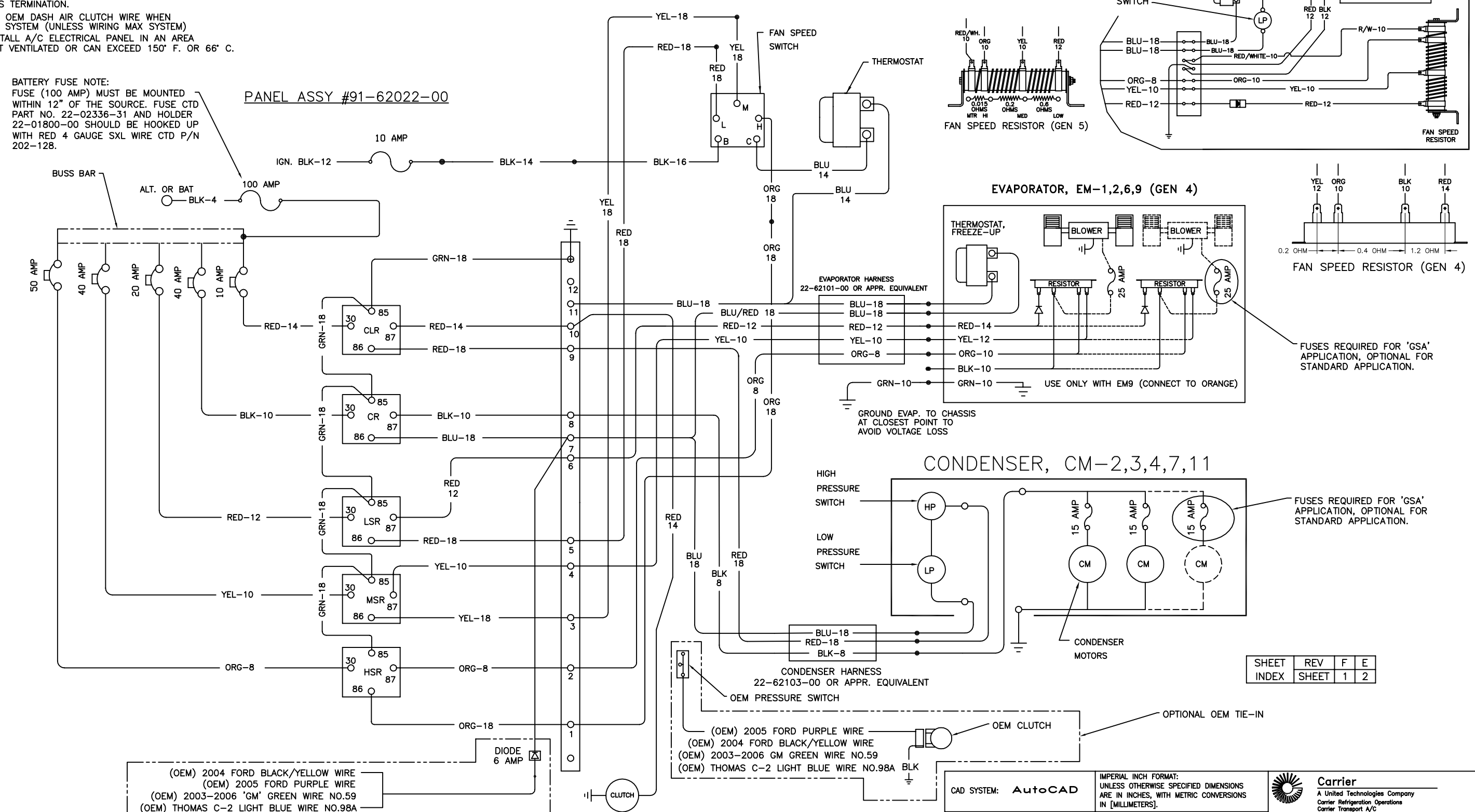
NOTES:
 1.0 TO PREVENT THE POSSIBILITY OF ELECTRICAL SHORT, THE UNUSED HIGH SPEED WIRE, IN THE EVAPORATOR HARNESS, I.E. HIGH PERFORMANCE (BLACK) OR HIGH STANDARD (ORANGE), MUST BE CAPPED OR TAPED AT ITS TERMINATION.
 2.0 DISCONNECT OEM DASH AIR CLUTCH WIRE WHEN WIRING A/C SYSTEM (UNLESS WIRING MAX SYSTEM)
 3.0 DO NOT INSTALL A/C ELECTRICAL PANEL IN AN AREA THAT IS NOT VENTILATED OR CAN EXCEED 150° F. OR 66° C.

CIRCUIT BREAKER IDENTIFICATION

 TYPE III MANUAL RESET—RESETS WHEN EXTERNAL BUTTON IS PUSHED.
 TYPE II—RESETS WHEN OVERCURRENT IS CORRECTED OR REMOVED.

BATTERY FUSE NOTE:
 FUSE (100 AMP) MUST BE MOUNTED WITHIN 12" OF THE SOURCE. FUSE CTD PART NO. 22-02336-31 AND HOLDER 22-01800-00 SHOULD BE HOOKED UP WITH RED 4 GAUGE SXL WIRE CTD P/N 202-128.

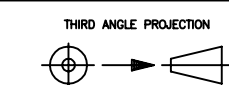
PANEL ASSY #91-62022-00



(OEM) 2004 FORD BLACK/YELLOW WIRE
 (OEM) 2005 FORD PURPLE WIRE
 (OEM) 2003-2006 'GM' GREEN WIRE NO.59
 (OEM) THOMAS C-2 LIGHT BLUE WIRE NO.98A

SYM	REVISION RECORD	DATE	BY	ENGR.	M.E.	NPCA NO.
F	ADD GM/TBB C-2 TIE-IN WIRE INFORMATION	OCT 6, 2005	TDL			68N530GP05
E	ADDED SHT NO. 2, ADD SHT INDEX	JUL 20, 2005	TDL			68N481GP05
D	ADDED GEN 5 WIRING OPTION, ADDED FAN SPEED RESISTOR DIAGRAMS	8/3/04	TDL			68N540GP04
C	REV GREEN WIRE GAUGE NOW 10 WAS 8	8/10/02	TDL			68N530GN02
B	MVD LSR & HSR POSITIONING FOR EASE OF WIRING	7/31/01	TDL			68N535GA01
A	INITIAL RELEASE	7/6/01	TDL			68N535GN01

CAD SYSTEM: AutoCAD



IMPERIAL INCH FORMAT:
 UNLESS OTHERWISE SPECIFIED DIMENSIONS ARE IN INCHES, WITH METRIC CONVERSIONS IN [MILLIMETERS].

UNLESS OTHERWISE SPECIFIED TOLERANCES ON:
 .00 DEC .000 DEC DEC ANG
 ± .04 ± .020 ± ± 2'
 [.0] DEC [.00] DEC DEC
 ±[1.0] ±[.50] ± []

SURFACES
 ✓ AA
 HOLE DIA.
 ± .005
 ±[.13]
 HOLE SPACING
 ± .015
 ±[.38]
 NON-CUMULATIVE
 HOLE LOC
 ± .03
 ±[.8]

DIMENSIONS IN (PARENTHESES) ARE FOR INFORMATION ONLY. TOLERANCES DO NOT APPLY.

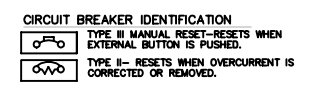
Carrier
 A United Technologies Company
 Carrier Refrigeration Operations
 Carrier Transport A/C
 715 Willow Springs Lane
 York, Pennsylvania 17402 USA

THIS DOCUMENT AND THE INFORMATION CONTAINED THEREIN IS PROPRIETARY TO CARRIER CORPORATION AND SHALL NOT BE USED OR DISCLOSED TO OTHERS, IN WHOLE OR IN PART, WITHOUT THE WRITTEN AUTHORIZATION OF CARRIER CORPORATION.

TITLE WIRE DIAGRAM			
EM W/CM AC-553T 'GSA'			
SIZE D	DRAWING NO. 98-62338	REV F	
SHEET 1 OF 2			
NEXT DRAWING NONE	SCALE 1:2		

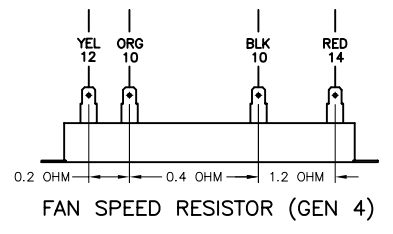
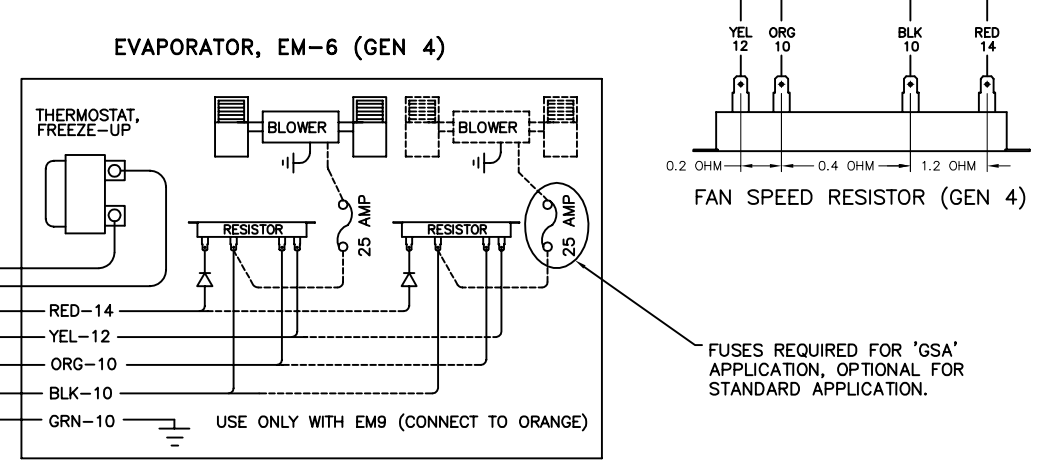
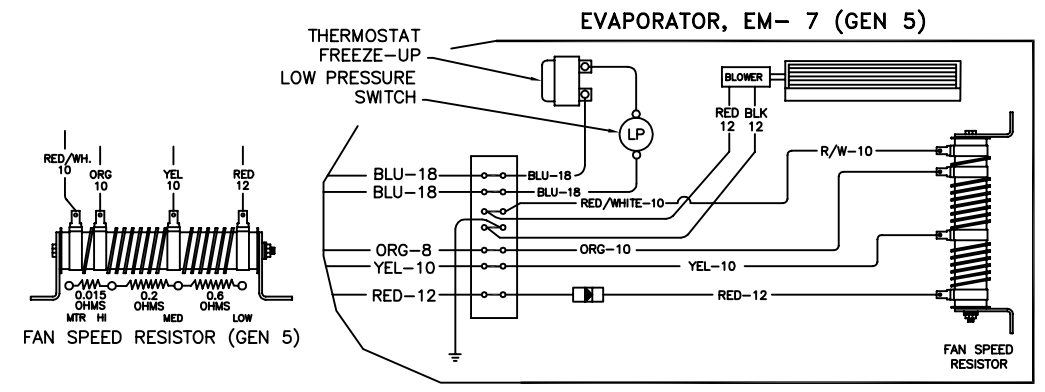
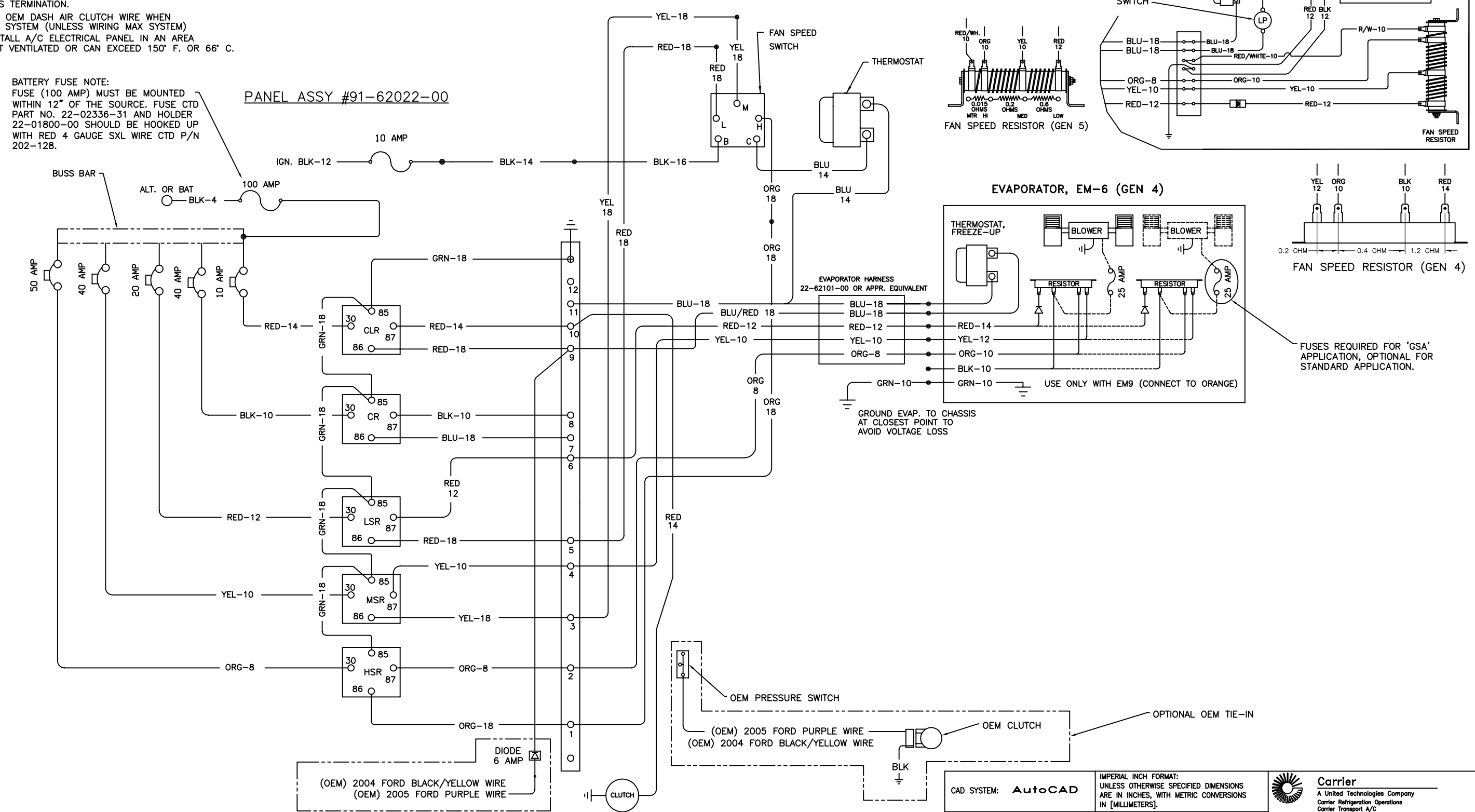
REV 98-62338 DWG NO

NOTES:
 1.0 TO PREVENT THE POSSIBILITY OF ELECTRICAL SHORT, THE UNUSED HIGH SPEED WIRE, IN THE EVAPORATOR HARNESS, I.E. HIGH PERFORMANCE (BLACK) OR HIGH STANDARD (ORANGE), MUST BE CAPPED OR TAPED AT ITS TERMINATION.
 2.0 DISCONNECT OEM DASH AIR CLUTCH WIRE WHEN WIRING A/C SYSTEM (UNLESS WIRING MAX SYSTEM)
 3.0 DO NOT INSTALL A/C ELECTRICAL PANEL IN AN AREA THAT IS NOT VENTILATED OR CAN EXCEED 150° F. OR 66° C.



BATTERY FUSE NOTE:
 FUSE (100 AMP) MUST BE MOUNTED WITHIN 12" OF THE SOURCE. FUSE CTD PART NO. 22-02336-31 AND HOLDER 22-01800-00 SHOULD BE HOOKED UP WITH RED 4 GAUGE SXL WIRE CTD P/N 202-128.

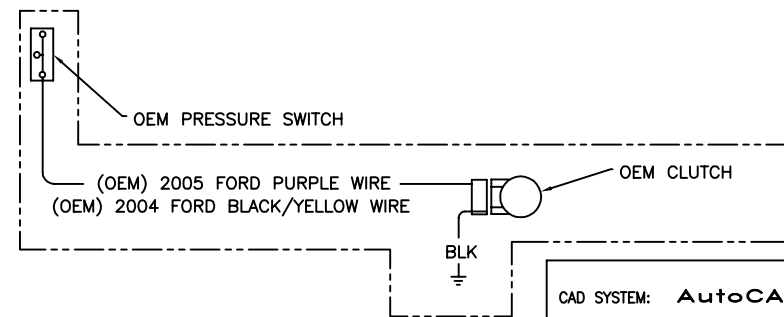
PANEL ASSY #91-62022-00



FUSES REQUIRED FOR 'GSA' APPLICATION, OPTIONAL FOR STANDARD APPLICATION.

GROUND EVAP. TO CHASSIS AT CLOSEST POINT TO AVOID VOLTAGE LOSS

(OEM) 2004 FORD BLACK/YELLOW WIRE
 (OEM) 2005 FORD PURPLE WIRE



E	INITIAL RELEASE OF SHT 2	JUN 21, 2005	MJG	MJG	68N481GP05
SYM	REVISION RECORD	DATE	BY	ENGR.	M.E. NPCA NO.

CAD SYSTEM: AutoCAD		IMPERIAL INCH FORMAT: UNLESS OTHERWISE SPECIFIED DIMENSIONS ARE IN INCHES, WITH METRIC CONVERSIONS IN [MILLIMETERS].		Carrier A United Technologies Company Carrier Refrigeration Operations Carrier Transport A/C 50 GRUMBACHER ROAD York, Pennsylvania 17402 USA	
THIRD ANGLE PROJECTION		UNLESS OTHERWISE SPECIFIED TOLERANCES ON: .00 DEC .000 DEC DEC ANG ± .04 ± .020 ± ± 2' [.0] DEC [.00] DEC DEC ±[1.0] ±[.50] ± []			
MATERIAL		SURFACES ✓ AA	HOLE DIA. ± .005 ±[.13]	HOLE SPACING ± .015 ±[.38] NON-CUMULATIVE	HOLE LOC ± .03 ±[.8]
DIMENSIONS IN (PARENTHESIS) ARE FOR INFORMATION ONLY. TOLERANCES DO NOT APPLY.		TITLE WIRE DIAGRAM EVAP W/OEM RAD. CONDENSER		THIS DOCUMENT AND THE INFORMATION CONTAINED THEREIN IS PROPRIETARY TO CARRIER CORPORATION AND SHALL NOT BE USED OR DISCLOSED TO OTHERS, IN WHOLE OR IN PART, WITHOUT THE WRITTEN AUTHORIZATION OF CARRIER CORPORATION.	
SIZE D	DRAWING NO. 98-62338	SHEET 2 OF		REV E	COMMODITY CODE
NEXT DRAWING NONE		SCALE 1:2		PRINT DISTRIBUTION	

REV 98-62338 DWG NO 98-62338