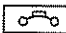

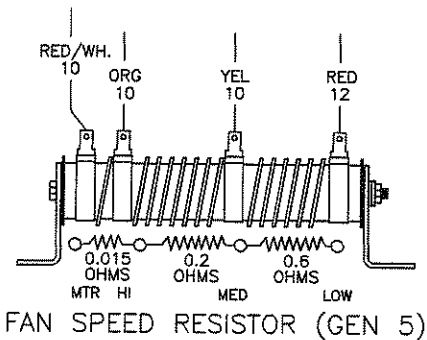
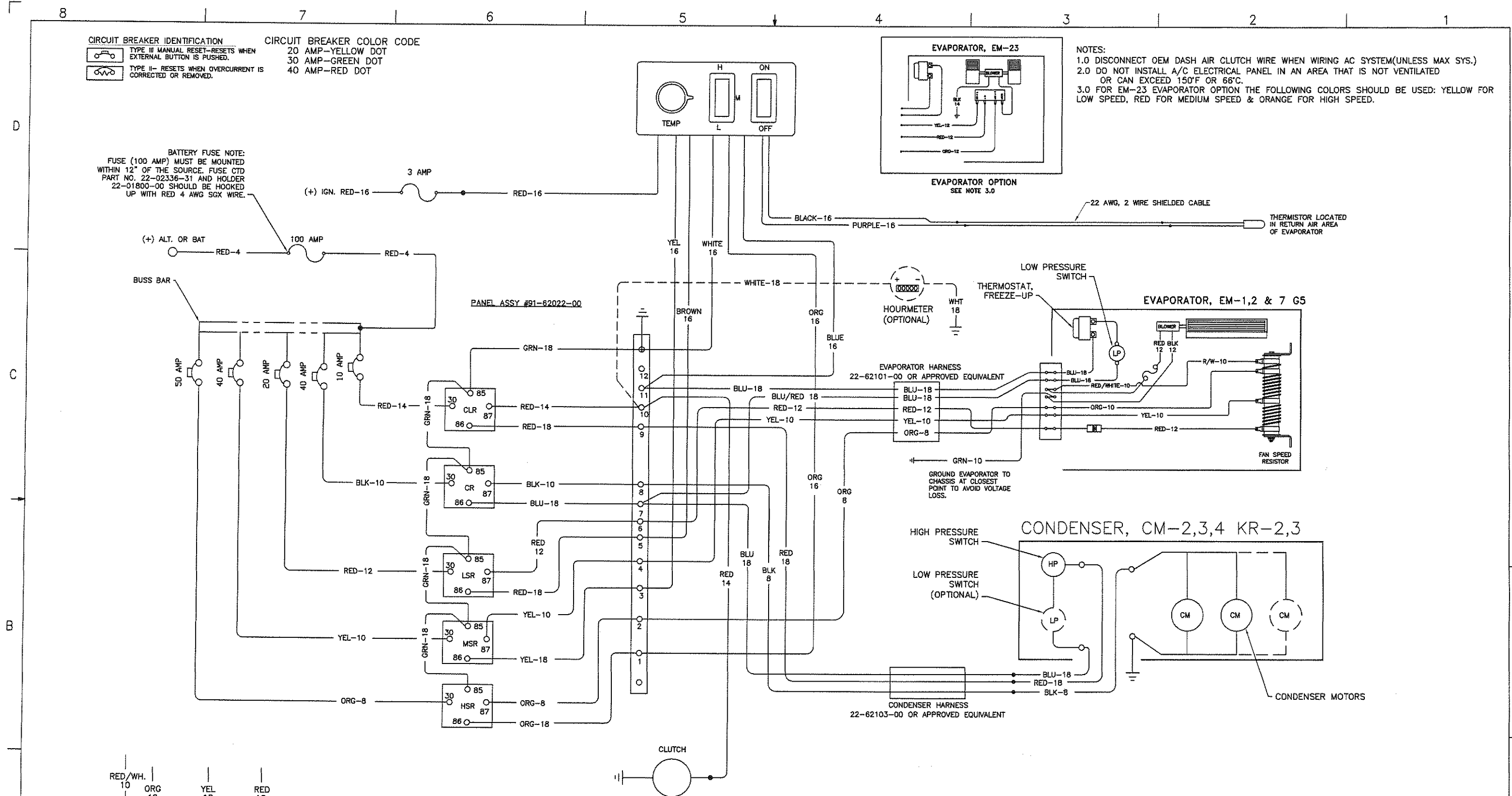


CIRCUIT BREAKER IDENTIFICATION
 TYPE III MANUAL RESET—RESETS WHEN EXTERNAL BUTTON IS PUSHED.
 TYPE II— RESETS WHEN OVERCURRENT IS CORRECTED OR REMOVED.


CIRCUIT BREAKER COLOR CODE
 20 AMP—YELLOW DOT
 30 AMP—GREEN DOT
 40 AMP—RED DOT

BATTERY FUSE NOTE:
 FUSE (100 AMP) MUST BE MOUNTED WITHIN 12" OF THE SOURCE. FUSE CTD PART NO. 22-02336-31 AND HOLDER 22-01800-00 SHOULD BE HOOKED UP WITH RED 4 AWG SGX WIRE.

NOTES:
 1.0 DISCONNECT OEM DASH AIR CLUTCH WIRE WHEN WIRING AC SYSTEM (UNLESS MAX SYS.)
 2.0 DO NOT INSTALL A/C ELECTRICAL PANEL IN AN AREA THAT IS NOT VENTILATED OR CAN EXCEED 150°F OR 66°C.
 3.0 FOR EM-23 EVAPORATOR OPTION THE FOLLOWING COLORS SHOULD BE USED: YELLOW FOR LOW SPEED, RED FOR MEDIUM SPEED & ORANGE FOR HIGH SPEED.



SYM	REVISION RECORD	DATE	BY	ENGR.	M.E.	NPCA NO.	WEIGHT	MFG/PURCH	MFG
B	ADD HOURMETER & EM-23 EVAPORATOR OPTIONS	FEB 16, 2007	TDL	SB		66N438GP07			
A	INITIAL RELEASE	OCT 18, 2005	WJG			68N538GP05			

CAD SYSTEM: AutoCAD	IMPERIAL INCH FORMAT: UNLESS OTHERWISE SPECIFIED DIMENSIONS ARE IN INCHES, WITH METRIC CONVERSIONS IN [MILLIMETERS].	 Carrier A United Technologies Company Carrier Refrigeration Operations Carrier Transport A/C 715 Willow Springs Lane York, Pennsylvania 17402 USA
THIRD ANGLE PROJECTION	UNLESS OTHERWISE SPECIFIED TOLERANCES ON: .00 DEC .000 DEC DEC ANG ± .04 ± .020 ± ± 2' [.0] DEC [.00] DEC DEC ± [1.0] ± [.50] ± []	
MATERIAL	SURFACES: ✓ AA HOLE DIA. ± .005 HOLE SPACING ± .015 HOLE LOC ± .03 NON-CUMULATIVE DIMENSIONS IN (PARENTHESES) ARE FOR INFORMATION ONLY. TOLERANCES DO NOT APPLY.	THIS DOCUMENT AND THE INFORMATION CONTAINED THEREIN IS PROPRIETARY TO CARRIER CORPORATION AND SHALL NOT BE USED OR DISCLOSED TO OTHERS, IN WHOLE OR IN PART, WITHOUT THE WRITTEN AUTHORIZATION OF CARRIER CORPORATION. TITLE WIRE DIAGRAM (1)EM-(1)CM, 12 V TEMP CON CONTROL SIZE D DRAWING NO. 98-62749 SHEET 1 OF 1 REV B SCALE NTS PRINT DISTRIBUTION