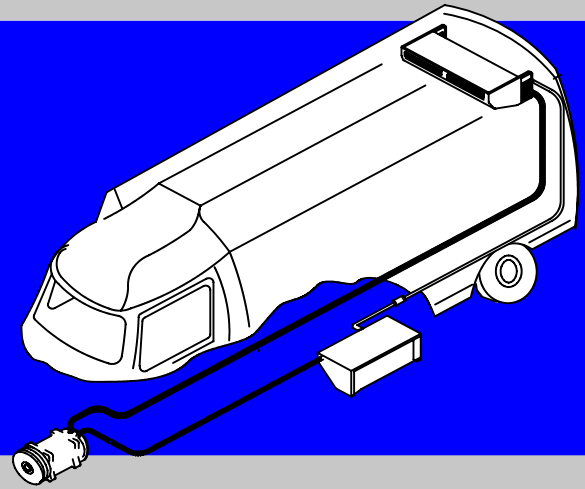
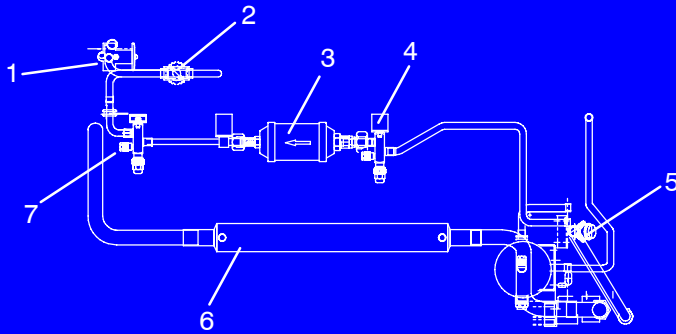




Transport Air Conditioning



SERVICE PARTS LIST for GEN-1-2-3 SPLIT SYSTEM Air Conditioning Units

NOTE: For GEN 4 & 5 Equipment
Use Parts List T-299PL



TRANSICOLD

SERVICE PARTS LIST

TRANSPORT AIR CONDITIONING EQUIPMENT

SPLIT SYSTEMS

GEN-1

GEN-2

GEN-3

K310 CONDENSER

KR-4 100 SERIES

POWER PACKS

BEAD-LOCK FITTINGS

TABLE OF CONTENTS

INTRODUCTION	iv
ORDERING INSTRUCTIONS	iv
GENERAL NOTES	iv
SECTION 1 - EVAPORATORS	1
SECTION 1.1 EM-1 EVAPORATORS	1
1.1.1 EVAPORATOR, EM-1, GEN I, FREE BLOW	1
1.1.2 PLENUM FOR EVAPORATORS EM-1 AND 2, GEN I	2
1.1.3 SIDE MOUNT EVAPORATOR, EM-1 & 2, GEN I	3
1.1.4 EVAPORATOR, EM-1, GEN 2, FREE BLOW	4
1.1.5 PLENUM FOR EVAPORATORS - EM-1 & 2, GEN 2	5
1.1.6 SIDE MOUNT EVAPORATOR, EM-1 & 2, GEN 2	6
1.1.7 EVAPORATOR, EM-1, GEN 3, FREE BLOW	7
1.1.8 SIDE MOUNT EVAPORATOR, EM-1 & 2, GEN 3	8
1.1.9 PLENUM & GRILL BOX FOR EVAPORATORS EM-1 & 2, GEN I	9
SECTION 1.2 EM-2 EVAPORATORS	10
1.2.1 EVAPORATOR, EM-2, GEN 1, FREE BLOW	10
1.2.2 EVAPORATOR, EM-2, GEN 2, FREE BLOW	11
1.2.3 EVAPORATOR, EM-2, GEN 3, FREE BLOW	12
SECTION 1.3 EM-3 EVAPORATORS	13
1.3.1 EVAPORATOR, EM-3, GEN-1, FREE BLOW	13
1.3.2 EVAPORATOR, EM-3, GEN-2 FREE BLOW	14
1.3.3 PLENUM & GRILL BOX FOR EVAPORATOR EM-3, GEN 2	15
1.3.4 EVAPORATOR, EM-3, GEN 2, DUCTED	16
1.3.5 EVAPORATOR, EM-3, GEN-3, FREE BLOW	17
1.3.6 EVAPORATOR, EM-3, GEN 3, DUCTED, WITH PLENUM OR GRILL BOX	18
SECTION 1.4 EM-6 EVAPORATORS	19
1.4.1 EVAPORATOR, EM-6, GEN-2, FREE BLOW	19
1.4.2 EVAPORATOR, EM-6, GEN 2, SIDE MOUNT, FREE BLOW	20
1.4.3 EVAPORATOR, EM-6, GEN-3, FREE BLOW	21
1.4.4 EVAPORATOR, EM-6, GEN 3, SIDE MOUNT, FREE BLOW	22
SECTION 1.5 EM-8 EVAPORATOR	23
1.5.1 EVAPORATOR, EM-8, GEN 1, DUCTED	23
1.5.2 EVAPORATOR, EM-8 & 9, GEN 1, SIDE MOUNT, DUCTED	24
SECTION 1.6 EM-9 EVAPORATORS	25
1.6.1 EVAPORATOR, EM-9, GEN 1, DUCTED	25
1.6.2 EVAPORATOR, EM-9, GEN 2, DUCTED	26
SECTION 1.7 EM-10 EVAPORATORS	27
1.7.1 EVAPORATOR, EM-10, STD & NAT MODELS	27
SECTION 1.8 EM-14 EVAPORATORS	28
1.8.1 EVAPORATOR, EM-14, GEN 1, FREE BLOW	28
1.8.2 EVAPORATOR, EM-14, GEN 2, FREE BLOW	29
1.8.3 EVAPORATOR, EM-14, GEN 3, FREE BLOW	30
SECTION 1.9 EM-20 EVAPORATORS	31
1.9.1 EVAPORATOR, EM-20, HEAT/COOL, DUCTED	31

TABLE OF CONTENTS - Continued:

SECTION 1.10 EM-21 EVAPORATORS	32
1.10.1 EVAPORATOR, EM-21, HEAT/COOL, FREE BLOW OR DUCTED	32
SECTION 1.11 EM-22 EVAPORATORS	33
1.11.1 EVAPORATOR, EM-22, HEAT/COOL, FREE BLOW OR DUCTED	33
1.11.2 EVAPORATOR, EM-22, HEAT/COOL, (MODEL 77-62079-00 THRU -05)	34
1.11.4 EVAPORATOR, EM-22, HEAT/COOL, PLENUM ASSEMBLY, (MODEL 77-62079-01)	37
1.11.5 EVAPORATOR, EM-22, HEAT/COOL, PLENUM ASSEMBLY, (MODEL 77-62079-02)	37
1.11.6 EVAPORATOR, EM-22, HEAT/COOL, PLENUM ASSEMBLY, (MODEL 77-62079-03)	37
SECTION 1.12 EM-30 EVAPORATORS	38
1.12.1 EVAPORATOR, EM-30	38
SECTION 2 - CONDENSERS	39
SECTION 2.1 CM-2 CONDENSERS	39
2.1.1 CONDENSER, CM-2, GEN 1 AND GEN 2	39
2.1.2 CONDENSER, CM-2, GEN 3	40
SECTION 2.2 CM-3 CONDENSERS	41
2.2.1 CONDENSER, CM-3, GEN 1 & GEN 2	41
2.2.2 CONDENSER, CM-3, GEN 3	42
SECTION 2.3 CM-4 CONDENSER	43
2.3.1 CONDENSER, CM-4	43
SECTION 2.4 CM-5 CONDENSER	44
2.4.1 CONDENSER, CM-5	44
2.4.2 LIQUID LINE ASSEMBLY, CM-5, CM-14, & C4RE, (REMOTE)	46
SECTION 2.5 CM-6 CONDENSER	48
2.5.1 CONDENSER, CM-6	48
SECTION 2.6 CM-7 CONDENSER	49
2.6.1 CONDENSER, CM-7, ROOF-TOP MOUNTED	49
SECTION 2.7 CM-8 CONDENSER	50
2.7.1 CONDENSER, CM-8	50
SECTION 2.8 CM-9 CONDENSER	51
2.8.1 CONDENSER, CM-9	51
SECTION 2.9 CM-11 CONDENSER	52
2.9.1 CONDENSER, CM-11, ROOF-TOP MOUNTED	52
SECTION 2.10 CM-13 CONDENSER	53
2.10.1 CONDENSER, CM-13	53
SECTION 2.11 CONDENSER, K-310	54
2.11.1 CONDENSER, K-310, DUAL LOOP	54
2.11.2 CONDENSER, K-310, SINGLE LOOP	56
2.11.3 CONDENSER, 68KR4-100 SERIES, DUAL LOOP	58
SECTION 3 - POWER PACKS & AUXILIARY DRIVE MODULES	59
SECTION 3.1 AUXILIARY DRIVE MODULES	59
3.1.1 AUXILIARY DRIVE MODULE, (ADM)	59
SECTION 3.2 DIESEL & GAS POWER PACKS	60
3.2.1 DIESEL POWERPAK, CUMMINS DM-1 & DM-2	60
3.2.2 DIESEL POWERPAK, KUBOTA, DM-1 & DM-2	62
3.2.3 GAS POWERPAK, GM-1 & GM-2	64

TABLE OF CONTENTS - Continued:

SECTION 3.3 INSTALLATION ACCESSORIES	66
3.3.1 INSTALLATION PIECES, DM-1, DM-2, CUMMINS DIESEL	66
3.3.2 INSTALLATION PIECES, DM-1, DM-2, KUBOTA DIESEL	67
3.3.3 INSTALLATION PIECES, GM-1, GM-2, GAS	68
SECTION 4 - FITTINGS & HOSE	69
SECTION 4.1 FITTINGS	69
4.1.1 HOSE & FITTING - SIZE DETERMINATION	69
4.1.2 FITTINGS, FORD	70
4.1.3 FITTINGS, METRIC (CHEVROLET AND DODGE TIE-IN)	71
4.1.4 FITTING, BEADLOCK, WITH ACCESS VALVE	71
4.1.5 FITTING, A-6 COMPRESSOR, (GM STYLE)	72
4.1.6 FITTINGS, TEE	72
4.1.7 FITTING, FLARE TO O-RING	72
4.1.8 FITTING, BEADLOCK, MALE INSERT O-RING	73
4.1.9 FITTING, BEADLOCK, BULKHEAD	73
4.1.10 FITTING, TUBE-O, R12 AND R134a	74
4.1.11 FITTING, BEADLOCK, FEMALE O-RING	74
4.1.12 FITTING, BEADLOCK, MALE O-RING	75
4.1.13 FITTING, BEADLOCK, FLARE	76
4.1.14 FITTING, BEADLOCK, SPLICERS, STRAIGHT	77
4.1.15 FITTING, BEADLOCK, SPLICERS, OTHER	77
4.1.16 "O"-RINGS, HNBR	78
SECTION 4.2 REFRIGERANT HOSE AND CLAMPS	79
4.2.1 REFRIGERANT HOSE - BARRIER	79
4.2.2 FERRULES - (BARRIER TYPE HOSE CLAMPS)	79

INTRODUCTION

This manual provides identification of service replacement parts for the Carrier Transport Air Conditioning air conditioning units listed in this manual. To find replacement parts, determine group in which replacement parts are located and turn to the appropriate page for the illustrated breakdown of the replacement parts.

ORDERING INSTRUCTIONS

All orders and inquiries for parts must include: Unit Serial Number, Part No., description of part as shown on list and quantity required. Address all correspondence for parts to the following address or fax number:

MAIL : CARRIER TRANSICOLD DIVISION
Performance Parts Group, TR-20
P.O. Box 4805
Syracuse, NY 13221
FAX: (315) 432-3778

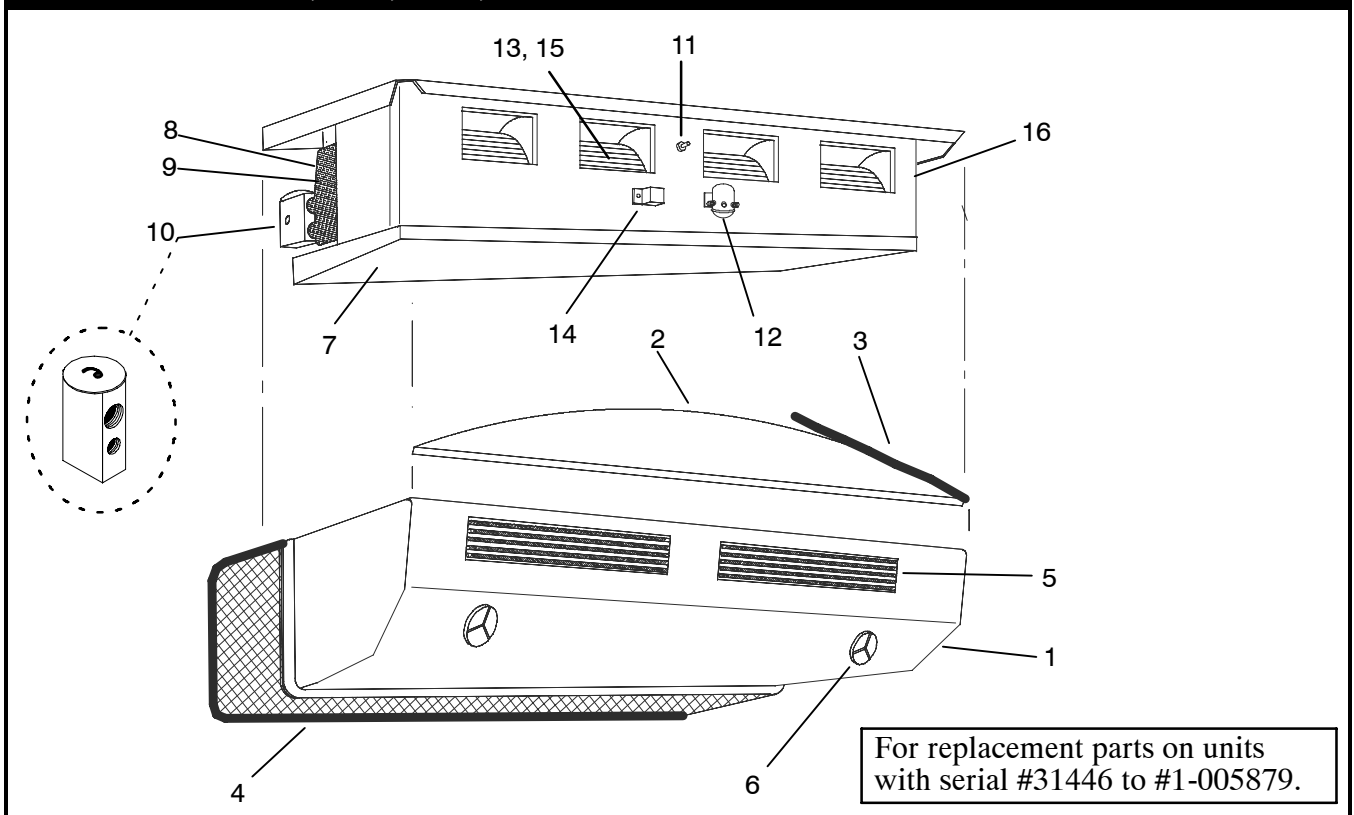
GENERAL NOTES

1. This catalog contains those items most commonly required for replacement purposes. If parts other than those cataloged are required, please provide the model number and serial number of the unit on which the parts are to be used and a complete description including references to items which are cataloged.
2. Casing parts and panels are not normally stocked, but are available upon request while in production. Requests for casing parts and panels for units no longer in production must be cleared for availability prior to submitting an order.
3. The replacement parts listed in this catalog are PPG "Factory-Authorized Parts" and, as a result of "standardization," may not be identical to the original part furnished on the equipment.
4. The following letter designations are used to classify parts throughout this list:
A/R = As Required, H/C = Heat/Cool, NSS = Not Sold Separately, N/S = Not Shown, NLA = No Longer Available

SECTION 1 - EVAPORATORS

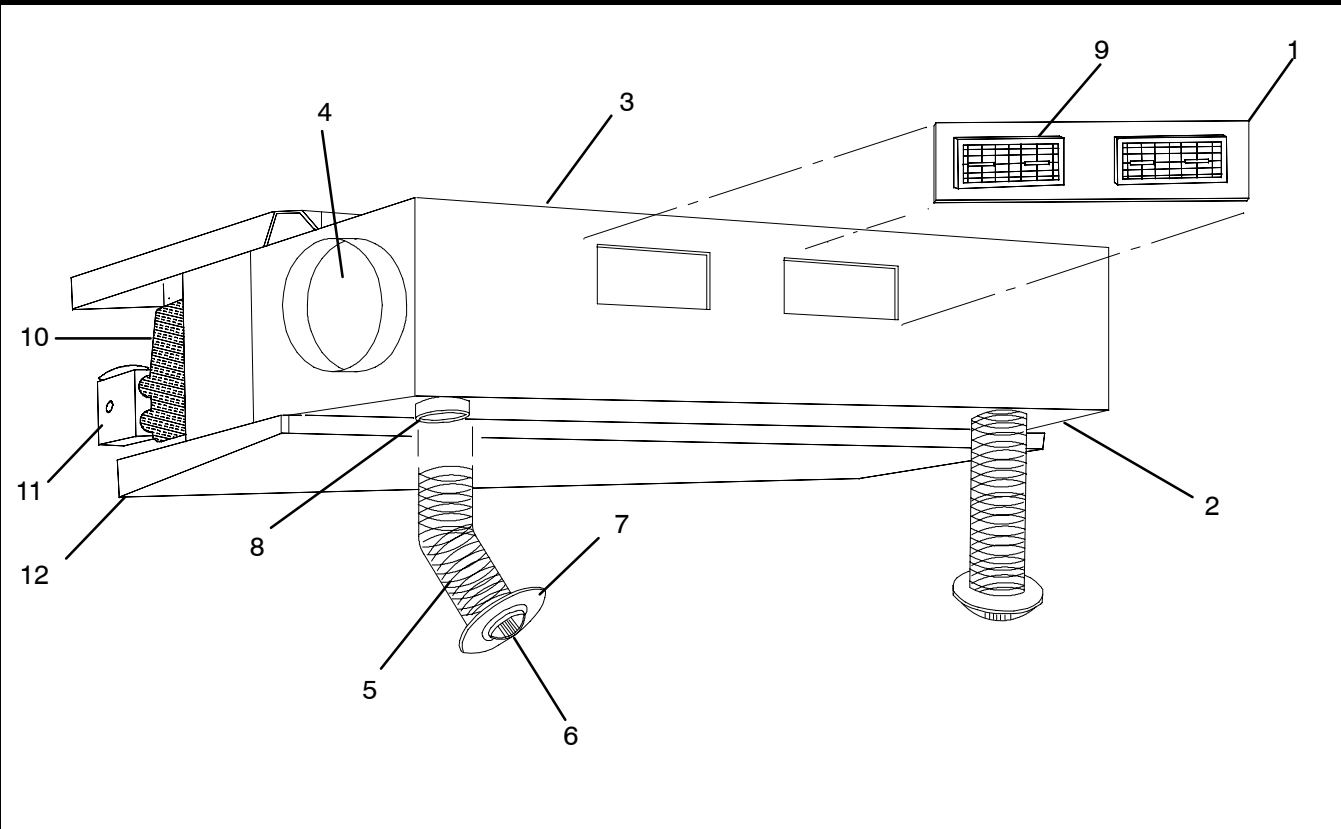
SECTION 1.1 EM-1 EVAPORATORS

1.1.1 EVAPORATOR, EM-1, GEN I, FREE BLOW



Item	Part Number	Description	Qty
1	N/A	Cover, Evaporator, Beige, (AC020-057)	1
	N/A	Cover, Evaporator, White, (AC020-145)	
2	N/A	Trim Strip, White (AC020-005-1)	1
3	AC801-412F25	Trim, Flexible, Black	1
4	AC020-012	Screen, Air Inlet	1
5	AC020-013	Grill, Air Outlet	2
6	58-01379-00	Louver, 2 1/4 inch Ball	2
7	N/A	Drain Pan Assembly, (Standard) (AC020-040)	1
	N/A	Drain Pan Assembly, Molded, (Optional) (AC020-215)	
8	AC021-113	Coil Assembly	1
9	N/A	Coil Assembly, Heat (Optional) (AC020-003)	1
10	N/A	Thermal Expansion Valve (TXV) (AC101-100)	1
11	AC201-501	Thermostat, Coil Insert (Optional)	1
12	AC201-800	Solenoid, High Speed, 12 Volt	1
	AC201-803	Solenoid, High Speed, 24 Volt	
13	AC201-600	Diode, In-Line, 6 Amp	1
14	AC201-806	Relay, 12 Volt, Medium Speed	1
	AC201-807	Relay, 24 Volt, Medium Speed	
15	AC401-200A	Blower Assembly, Dual, 12 Volt	1
	N/A	Blower Assembly, Dual, 24 Volt (AC401-201)	
16	AC801-405	Filter, Metal, (8 X 35 3/8 inches)	1

1.1.2 PLENUM FOR EVAPORATORS EM-1 AND 2, GEN I

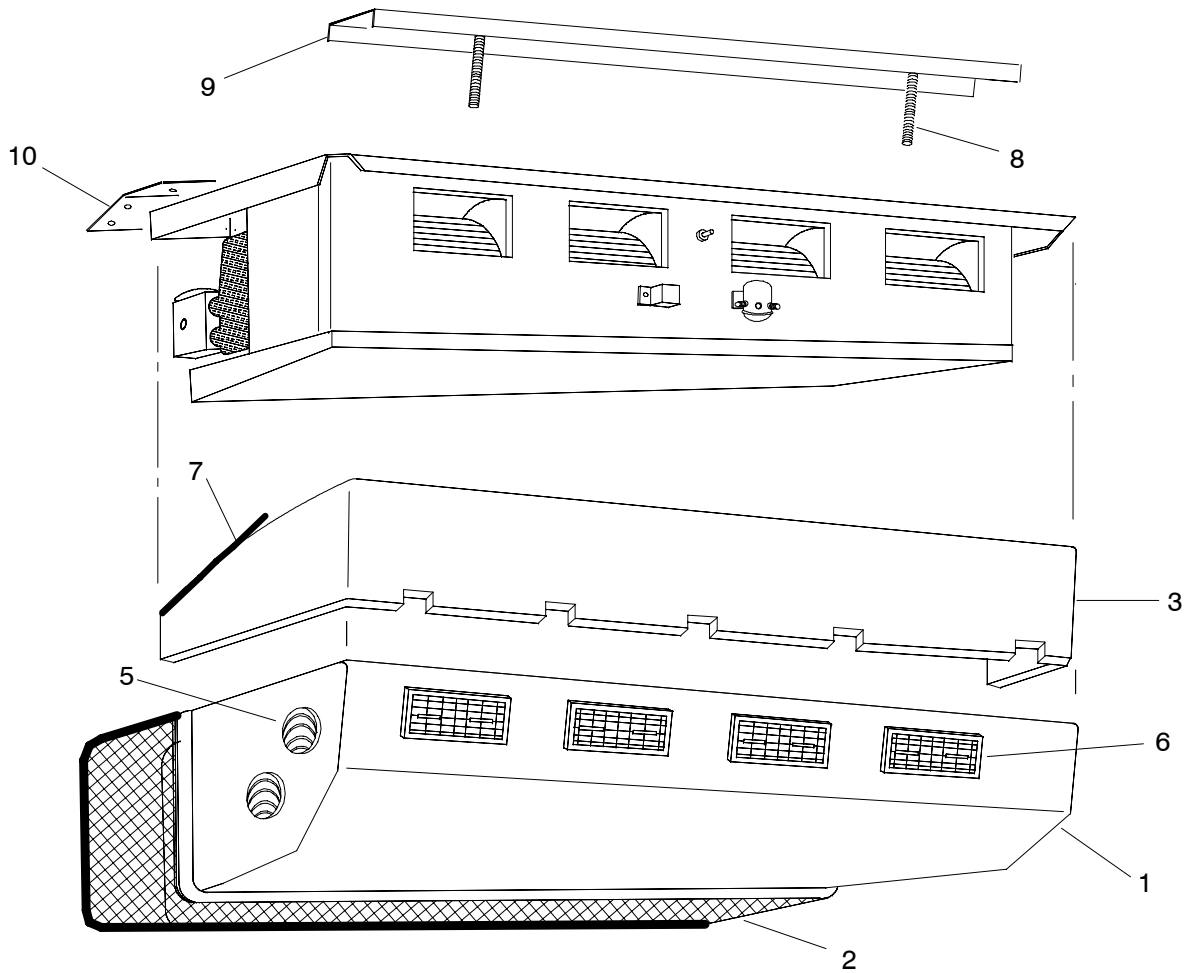


For replacement parts on EM-1 with serial #31446 to #1-1005879

For replacement parts on EM-2 with serial #31514 to #2-203386

Item	Part Number	Description	Qty
1	AC011-026	Plate, Louver, Black	1
2	AC020-075	Bottom Panel, Plenum	1
3	AC020-089	Weldment, Plenum	1
4	AC020-079	Block-Off Plate, Plenum	2
5	AC301-205	Hose, Flexible Duct, 2-1/2 Inch x Foot	3
6	58-01386-00	Louver, Ball, 2-1/2 Inch	2
7	AC401-306	Ring, Mounting, 4 Inch OD, Black	2
8	AC401-307	Adapter, Hose, 2-1/2 Inch	2
9	AC401-308	Louver, With Bezel Assembly (3.0 X 7.0 Inches)	2
10	AC021-113	Assembly, Coil	1
11	N/A	Thermal Expansion Valve (AC101-100)	1
12	N/A	Assembly, Drain Pan (AC020-040)	1

1.1.3 SIDE MOUNT EVAPORATOR, EM-1 & 2, GEN I

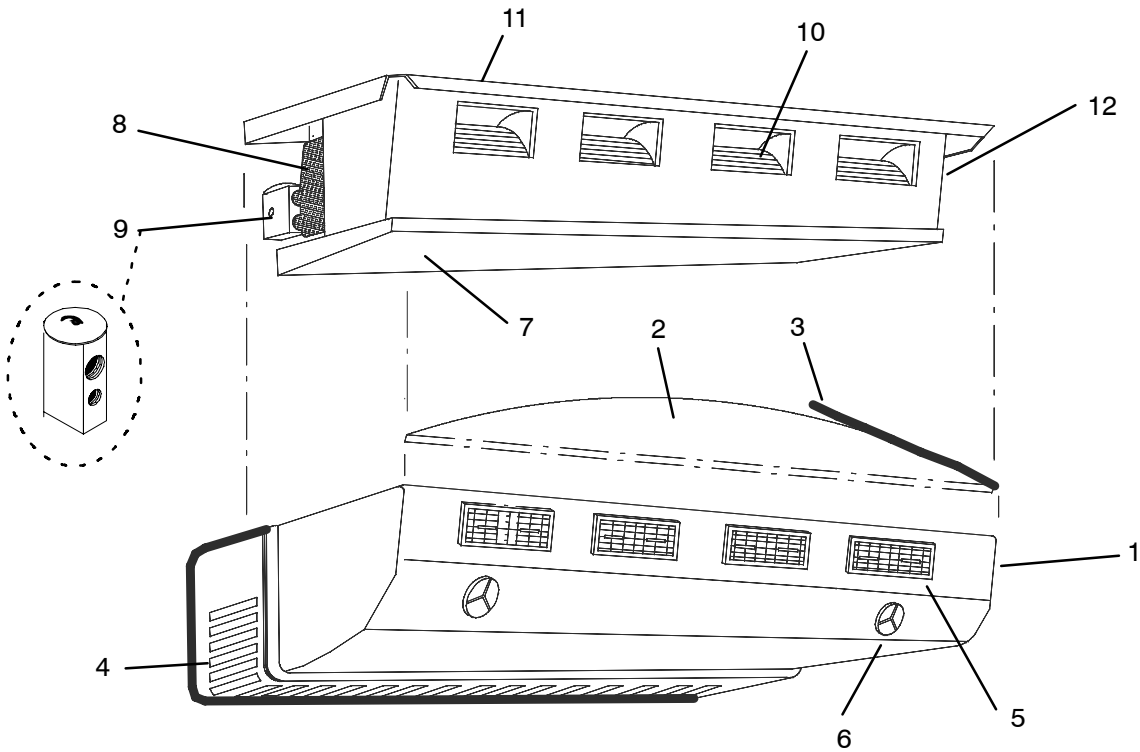


For replacement parts on EM-1 with serial #31446 to #1-005879

For replacement parts on EM-2 with serial #31514 to #2-203386

Item	Part Number	Description	Qty
1	N/A	Cover Assembly, Side Mount, Beige, (AC020-187)	1
2	AC020-176	Screen, Air Inlet	1
3	N/A	Trim Strip, Side Mount (AC020-177)	1
4	AC020-179P	Angle, Screen Support, Painted	2
5	AC401-301	Grill, Air Outlet, Side, (3 Inch)	4
6	AC401-308	Louver Assembly, (3 Inch X 7 Inch)	4
7	AC801-412F25	Trim, Flexible, Black (25 Ft. Roll)	1
8	AC020-171P	Rod, Hanger Adjuster, Painted	2
9	AC020-174	Hanger, Front	1
10	AC020-172	Hanger, Rear	1

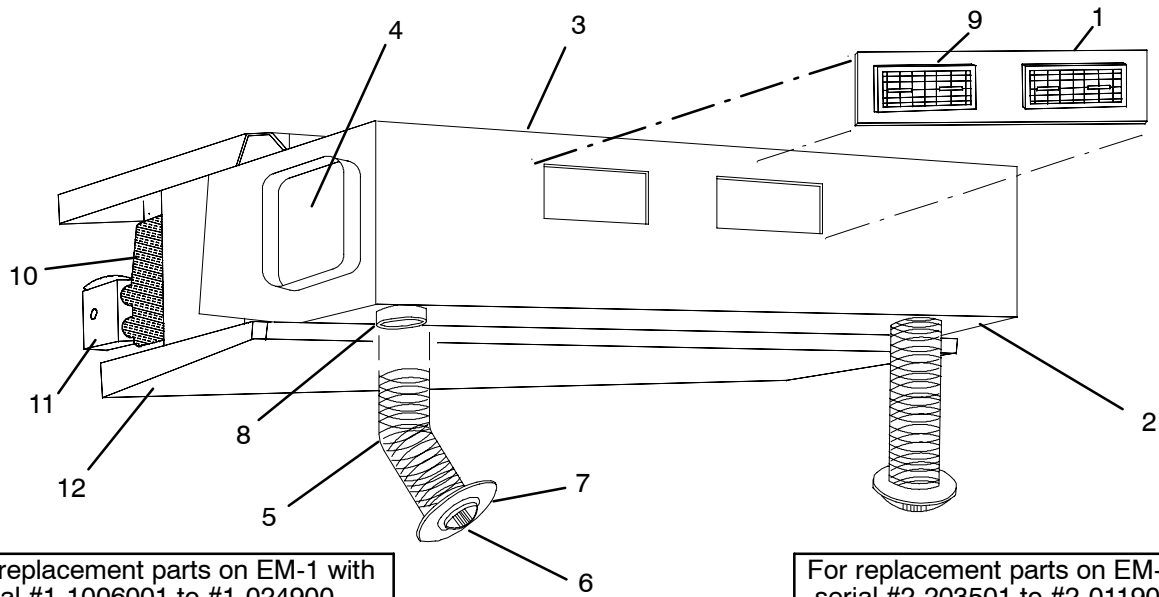
1.1.4 EVAPORATOR, EM-1, GEN 2, FREE BLOW



For replacement parts on units with serial #1-006001 to #1-024900.

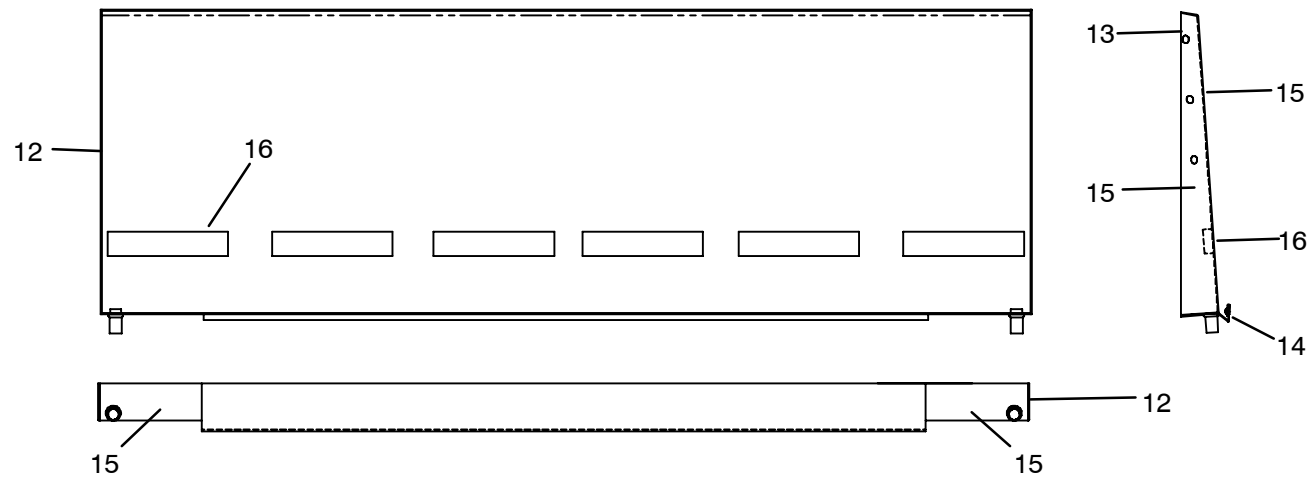
Item	Part Number	Description	Qty
1	N/A	Cover, Evaporator, Beige (AC021-003)	1
	N/A	Cover, Evaporator, White (AC021-007)	1
	N/A	Cover, Evaporator, Gray Noryl (AC021-180)	1
2	N/A	Trim Strip, White (AC020-005-1)	1
3	AC801-412F25	Flexible Trim, Black (25 Ft. Roll)	1
4	AC021-109	Grill, Rear Air Inlet, Black	1
5	AC401-308	Louver Assembly, (3.0 Inch X 7.0 Inch)	4
6	58-01379-00	Ball Louver, (2 1/4 Inch)	1
7	NSS	Drain Pan Assembly (AC021-114)	1
8	AC021-113	Coil Assembly, R12	1
	N/A	Coil Assembly, R134a, (AC021-601)	1
9	N/A	Thermal Expansion Valve, R12 (AC101-100)	1
	14-00301-03	Thermal Expansion Valve, R134a	1
10	AC401-209A	Blower Assembly (Kit), 12 VDC, Includes:	1
	76-62019-00Resistor Kit, (4 Prong)	1
	NSSBlower Assembly, Dual, 12 VDC - Includes: (AC401-209)	1
	54-50070-00Motor, Blower, 12 VDC	1
10	AC401-210A	Blower Assembly (Kit), 24 VDC, Includes:	1
	76-62019-00 Resistor Kit, (4 Prong)	2
	NSSBlower Assembly, Dual, 24 VDC, (AC401-210)	1
11	AC201-501	Thermostat, Coil Insert, (Optional)	1
12	AC801-405	Filter, Metal, (35 3/8 X 8 Inch)	1

1.1.5 PLENUM FOR EVAPORATORS - EM-1 & 2, GEN 2



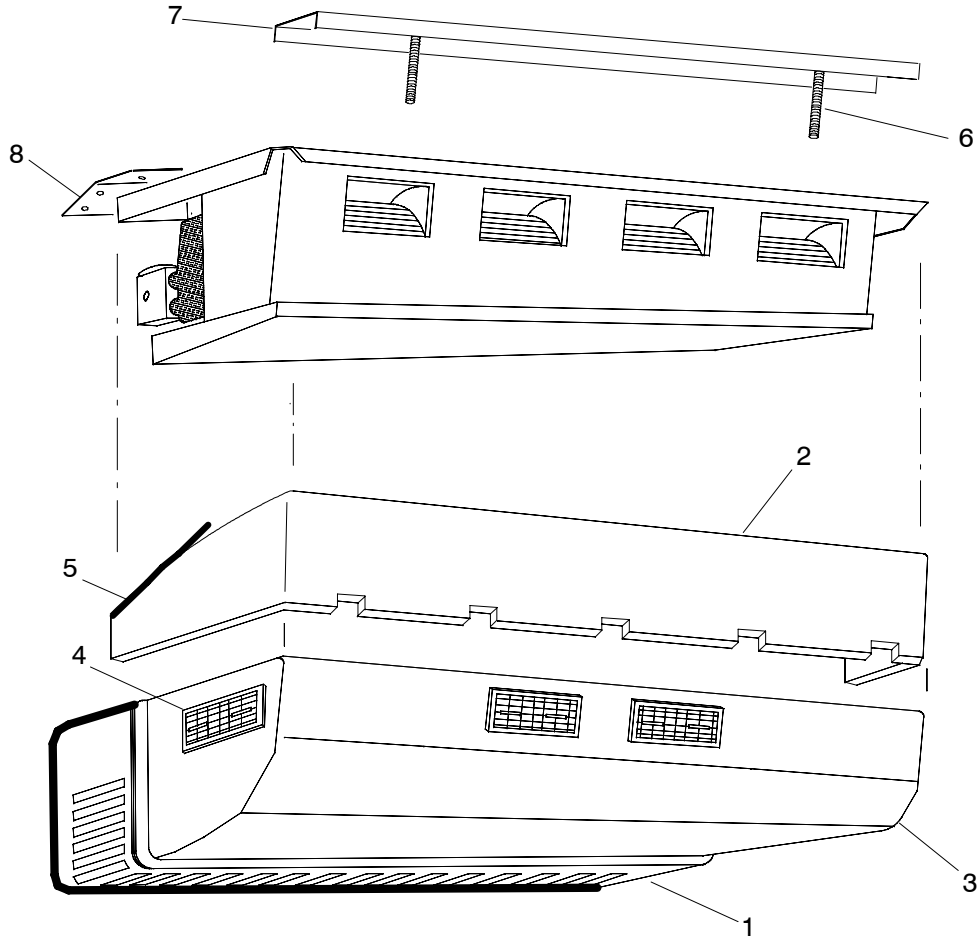
For replacement parts on EM-1 with serial #1-1006001 to #1-024900

For replacement parts on EM-2 with serial #2-203501 to #2-011900



Item	Part Number	Description	Qty
1	AC011-026	Plate, Louver, Black	1
2	AC021-146	Bottom Panel, Plenum	1
3	AC021-148	Weldment, Plenum	1
4	AC021-152	Block-Off Plate, Plenum	2
5	AC301-205	Hose, Flexible Duct, 2-1/2 Inch x Foot	3
6	58-01386-00	Louver, Ball, 2-1/2 Inch	2
7	AC401-306	Ring, Mounting, 4 Inch OD, Black	2
8	AC401-307	Adapter, Hose, 2-1/2 Inch	2
9	AC401-308	Louver, With Bezel Assembly, 3 Inch X 7 Inch	2
10	N/A	Assembly, Coil (AC021-601)	1
11	14-00301-03	Thermal Expansion Valve	1
12	NSS	Assembly, Drain Pan (AC021-114)	1
13	AC021-102	Drain Pan	1
14	AC701-100	Clip	3
15	AC801-400	Gasket, 1/8 inch x 5 foot x 300 inches W/Adhesive	1
16	AC801-402	Gasket, 3/8 x 1 inch Hard Foam	3
N/S	AC801-403	Gasket, Foam, 1-1/4 inch x 1-1/4 inch	1

1.1.6 SIDE MOUNT EVAPORATOR, EM-1 & 2, GEN 2

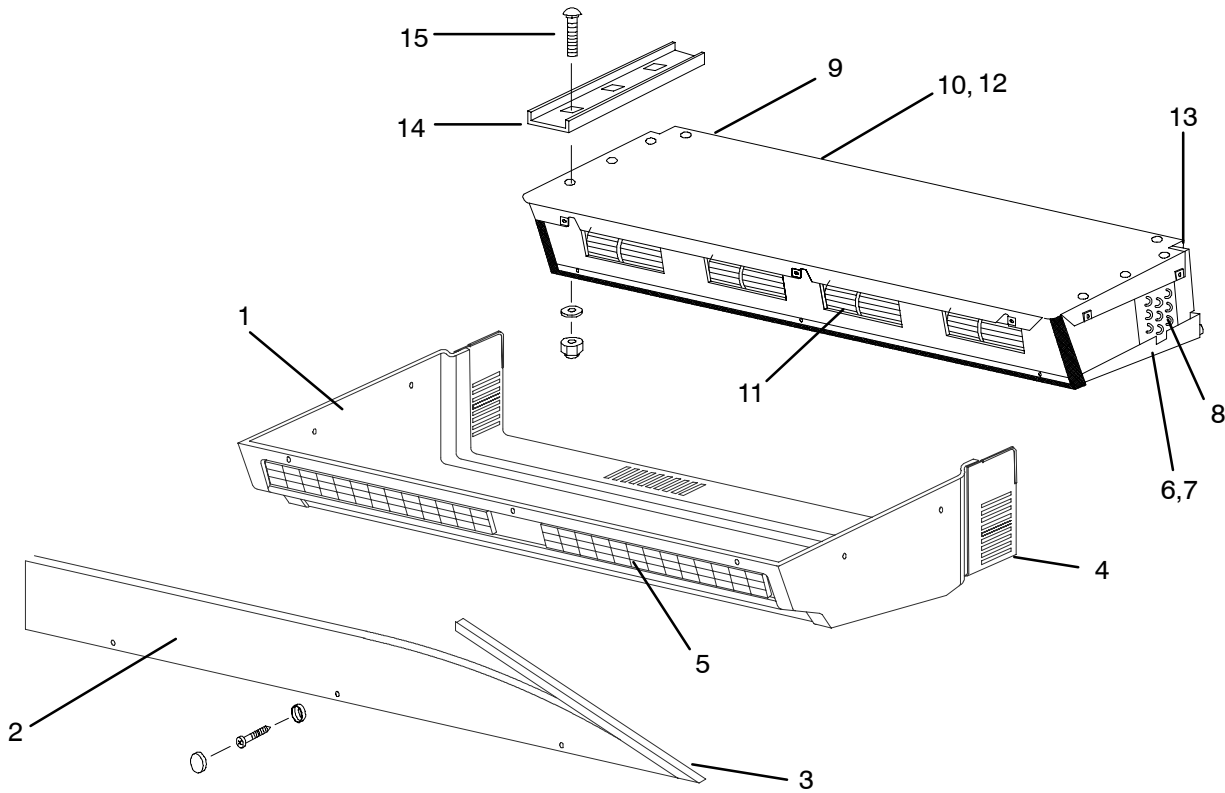


For replacement parts on EM-1 with serial #1-1006001 to #1-024900

For replacement parts on EM-2 with serial #2-203501 to #2-011900

Item	Part Number	Description	Qty
1	AC021-157P	Grill, Air Inlet, Rear, (Painted Black)	1
2	N/A	Trim Strip, Side Mount, Beige (AC021-154-1)	1
3	N/A	Cover Assembly, Side Mount, Beige (AC021-020)	1
4	AC401-308	Louver Assembly, (3 Inch X 7 Inch)	4
5	AC801-412F25	Trim, Flexible, Black (25 Ft. Roll)	1
6	AC020-171P	Rod, Hanger Adjuster, Painted	2
7	AC020-174	Hanger, Front	1
8	AC020-172	Hanger, Rear	1

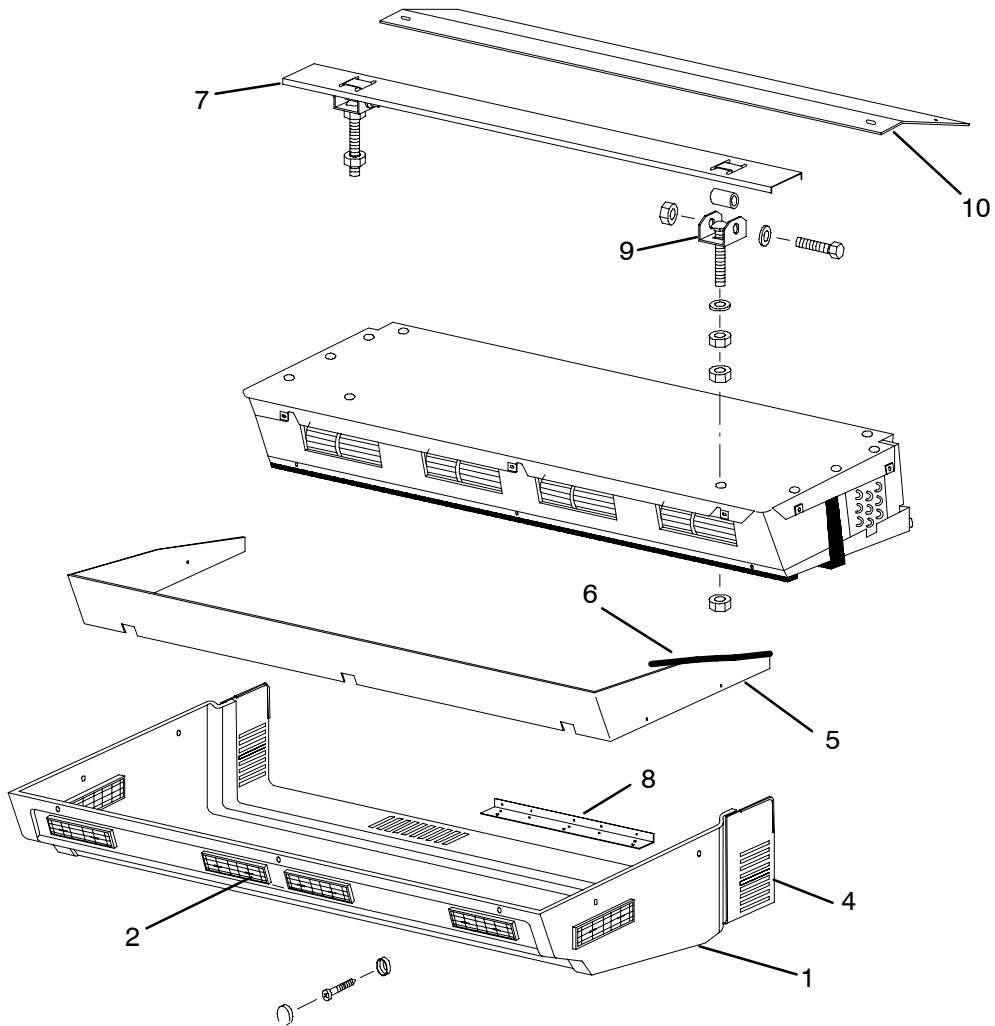
1.1.7 EVAPORATOR, EM-1, GEN 3, FREE BLOW



For replacement parts on units with serial #1-025002 to #1-032500

Item	Part Number	Description	Qty
1	N/A	Cover, Evaporator, Beige (AC022-346-S)	1
	79-62071-00	Cover, Evaporator, White	
	N/A	Cover, Evaporator, Gray (AC022-351-S)	
2	N/A	Trim Strip, Beige (AC022-282)	1
	N/A	Trim Strip, White (AC022-282-1)	
	N/A	Trim Strip, Gray (AC022-282-2)	
3	AC801-412F25	Flexible Trim, Black (25 Ft. Roll)	1
4	AC022-251	Grill, Return Air Inlet, Black	1
5	AC401-320	Louver, Assembly, (14 3/8 Inch X 3 3/8 Inch)	2
6	AC022-310-S	Drain Pan Assembly, (Foamed)	1
7	AC022-313	Drain Pan Baffle, Foam	1
8	AC022-217	Coil Assembly, Without Heat (TXV & Thermostat Not Included)	1
	AC022-228	Coil Assembly, With Heat (TXV & Thermostat Not Included)	
9	14-00301-03	Thermal Expansion Valve	1
10	AC201-501	Thermostat, Freeze-Up	1
11	AC401-221	Blower Assembly, Dual, 12 Volt	1
	AC401-222	Blower Assembly, Dual, 24 Volt	
12	76-62019-00	Resistor Kit, (1.8 Ohm, 4 Prong)	2
13	AC801-451	Filter, Return Air, (35 X 7 1/4 Inch)	1
14	AC020-009	Mounting Channel	2
15	34-01310-01	Bolt, Carriage Head, 3/8-16 X 4 inch, Full Thread, GD-8, Zinc Plated	4

1.1.8 SIDE MOUNT EVAPORATOR, EM-1 & 2, GEN 3

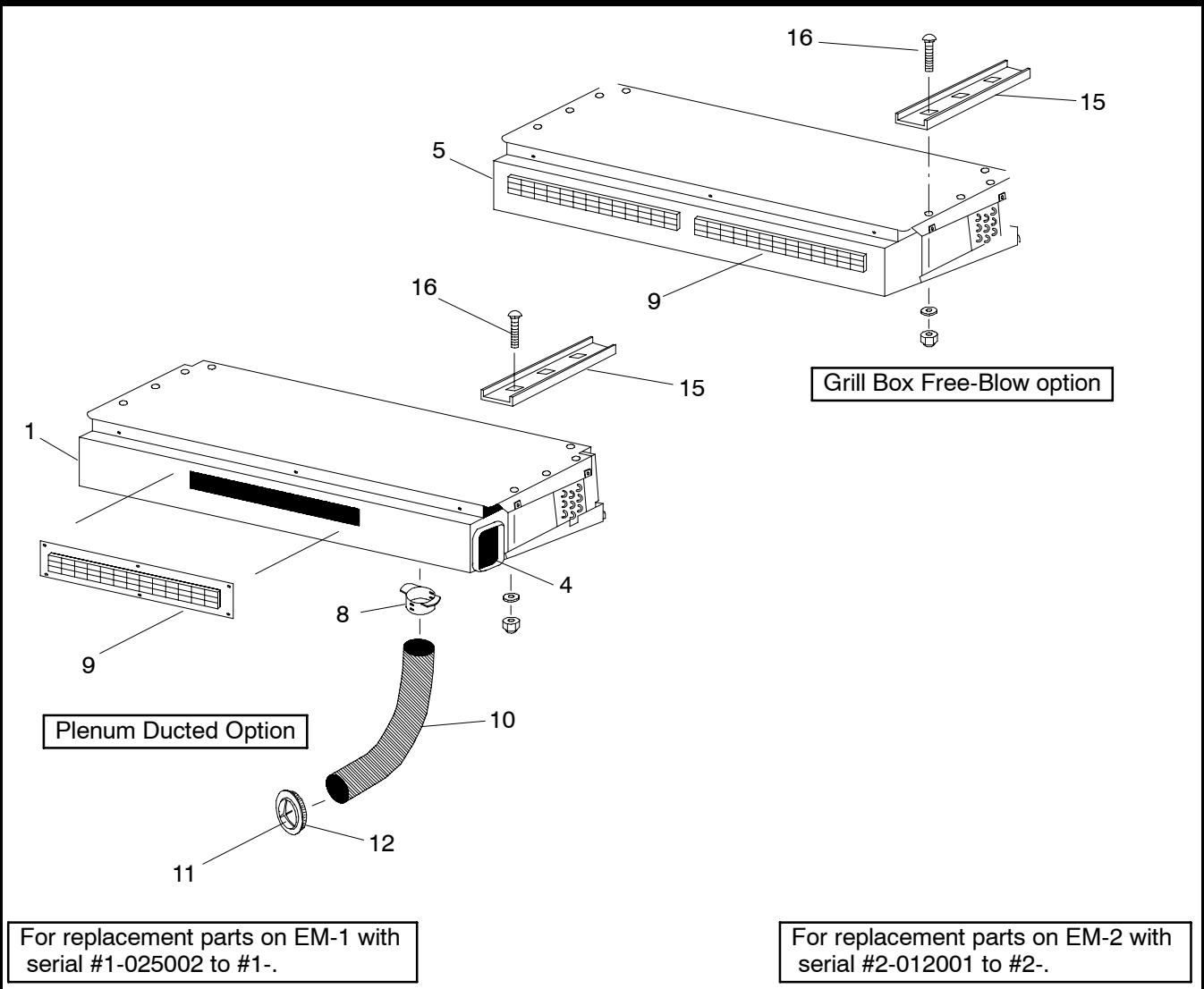


For replacement parts on EM-1
with serial #1-25002 to #1-

For replacement parts on EM-2
with serial #2-012001 to #2-

Item	Part Number	Description	Qty
1	79-62075-00	Cover Assembly, White	1
	79-62075-01	Cover Assembly, Gray	1
	N/A	Cover Assembly, Beige, (AC022-479-S)	1
2	AC401-308	Louver Assembly, With Bezel, (3 Inch X 7 Inch)	6
3	AC022-289	Emblem, Carrier, (2-7/8 Inch)	1
4	AC022-290P	Grill, Return Air, Painted	1
5	AC022-286-1	Trim Strip, White, (39-1/2 x 31/4 Inches)	1
	AC022-286-2	Trim Strip, Gray, (39-1/2 x 31/4 Inches)	1
6	AC801-412F25	Trim, Flexible, Black (25 Ft. Roll)	1
7	AC020-174	Weldment, Hanger	1
8	AC020-179P	Angle, Support, Rear Screen, (Painted)	1
9	AC021-223	Hanger, Front	2
10	AC022-292	Hanger, Rear	1

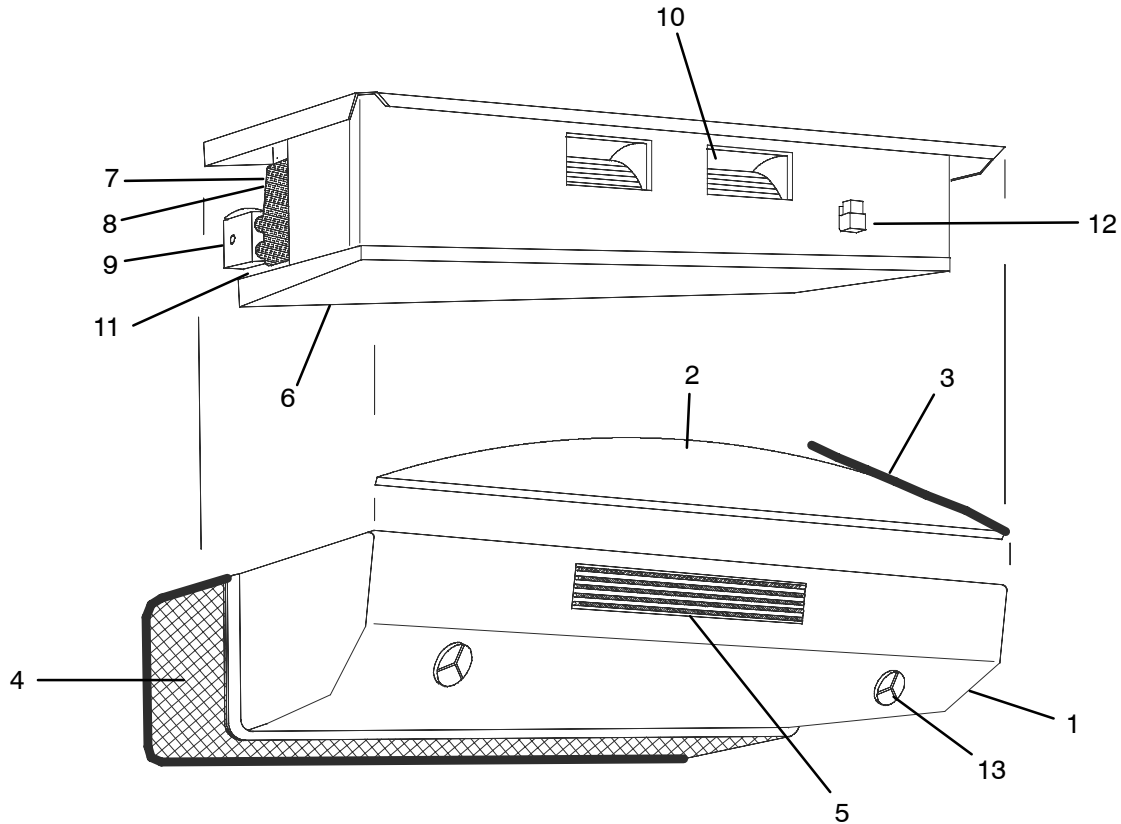
1.1.9 PLENUM & GRILL BOX FOR EVAPORATORS EM-1 & 2, GEN I



Item	Part Number	Description	Qty
1	AC022-298	Weldment, Plenum, EM-1	1
2	AC022-302	Bottom Panel, Plenum, EM-1	1
3	AC022-463	Angle, Plenum, EM-1/2	1
4	AC021-152	Block-Off Plate, EM-2	2
5	AC022-327P	Weldment, Grillbox, EM-1, (Painted)	1
6	AC022-331P	Grillbox Bottom, EM-1, (Painted)	1
7	AC022-464P	Plate, Louver, EM-1, (Painted)	1
8	AC401-307	Adapter, Hose, 2-1/2 Inch	2
9	AC401-320	Louver, 14-3/8 Inch X 3-3/8 Inch	2
10	AC301-205	Duct, Hose, 2-1/2 inch X foot	3
11	58-01386-00	Louver, Ball, 2-1/2 inch with Hose Back	2
12	AC401-306	Ring, Mounting, Louver Ball	2
13	AC801-400	Gasket, Foam, 1/8 inch X 54 inch X foot	1.5
14	AC801-414	Gasket, Foam, 3/8 inch X 1 inch X 25 Foot Roll	1
15	AC020-009	Channel, Mounting	2
16	34-01310-01	Bolt, Carriage Head, 3/8-16 X 4, Full Thread, GD-8, Zinc Plated	4

SECTION 1.2 EM-2 EVAPORATORS

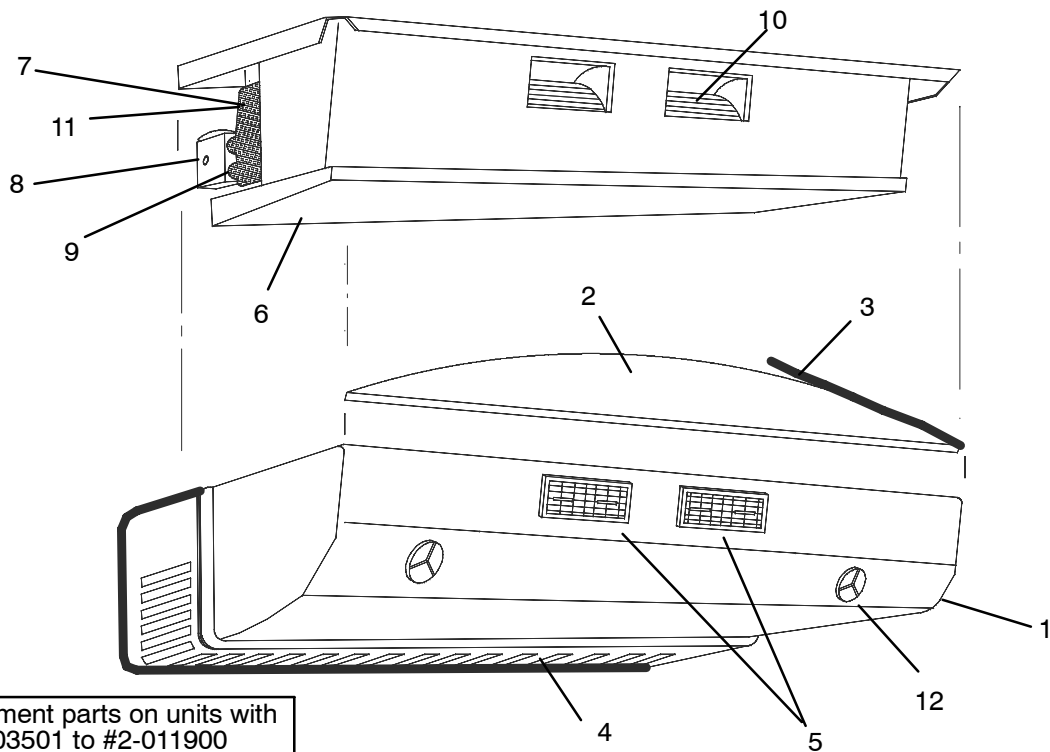
1.2.1 EVAPORATOR, EM-2, GEN 1, FREE BLOW



For replacement parts on units with serial #31514 to #2-203386

Item	Part Number	Description	Qty
1	N/A	Cover Assembly, Evaporator, Beige (AC020-058)	1
	N/A	Cover Assembly, Evaporator, White (AC020-146)	1
2	N/A	Trim Strip, White (AC020-005-1)	1
3	AC801-412F25	Flexible Trim, Black (25 Ft. Roll)	1
4	AC020-012	Screen, Air Inlet	1
5	AC020-013	Grill, Air Outlet	1
6	N/A	Drain Pan Assembly, (Standard) (AC020-040)	1
	N/A	Drain Pan Assembly, (Moulded) (AC020-215)	1
7	AC021-113	Coil Assembly	1
8	N/A	Coil Assembly, (Heat Option) (AC020-003)	1
9	N/A	Thermal Expansion Valve (AC101-100)	1
10	AC401-200A	Blower Assembly, Dual, 12 Volt	1
	N/A	Blower Assembly, Dual, 24 Volt (AC401-201A)	1
11	AC801-405	Filter, Return Air, (35 3/8 X 8 Inch)	1
12	AC201-806	Relay, 12 Volt, (High Speed)	1
	AC201-807	Relay, 24 Volt, (High Speed)	1
13	58-01379-00	Louver, Ball, 2 1/4 inch	2

1.2.2 EVAPORATOR, EM-2, GEN 2, FREE BLOW

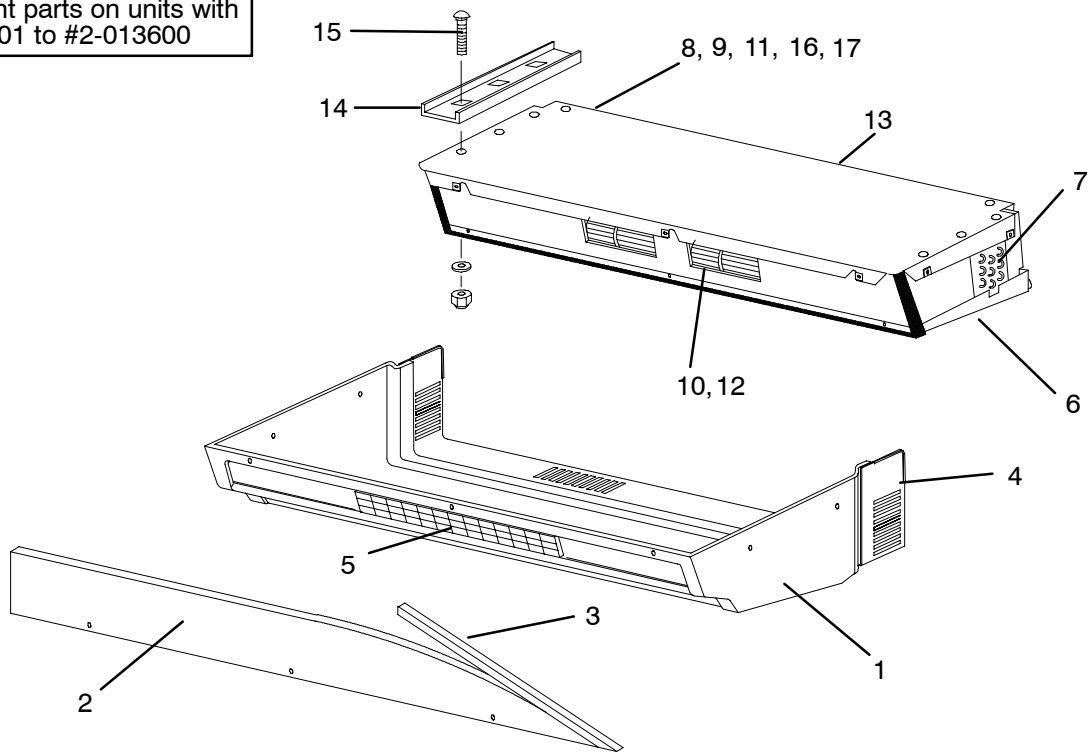


For replacement parts on units with serial #2-203501 to #2-011900

Item	Part Number	Description	Qty
1	N/A	Cover Assembly, Evaporator, Beige (AC021-004)	1
	N/A	Cover Assembly, Evaporator, White (AC021-008)	1
	AC021-256	Cover Assembly, Gray	1
2	N/A	Trim Strip, White (AC020-005-1)	1
3	AC801-412F25	Flexible Trim, Black (25 Ft. Roll)	1
4	AC021-109	Grill, Air Inlet, Black	1
5	AC401-308	Louver Assembly, Air Outlet, (3 Inch X 7 Inch)	2
6	NSS	Drain Pan Assembly (AC021-114)	1
	AC021-113	Coil Assembly, R12	1
7	N/A	Coil Assembly, R134a (AC021-601)	1
	N/A	Thermal Expansion Valve, R12 (AC101-100)	1
8	14-00301-03	Thermal Expansion Valve, R134a	1
	AC801-202	O-Ring, 1/2 Inch (R-12/R134a)	2
10	AC401-209A	Blower Assembly (Kit), 12 VDC, Includes:	1
	76-62019-00Resistor Kit, (1.8 Ohm, 4 Prong)	1
	NSSBlower Assembly, Dual, 12 VDC - Includes: (AC401-209)	1
	54-50079-00Motor, Blower, 12 VDC	1
10	AC401-210A	Blower Assembly Kit, 24 VDC, Includes:	1
	76-62019-00Resistor Kit, (1.8 Ohm, 4 Prong)	2
	NSSBlower Assembly, Dual, 24 VDC, (AC401-210)	1
11	AC801-405	Filter, Return Air, (35 3/8 X 8 Inch)	1
12	58-01379-00	Louver, Ball, 2 1/4 inch	2

1.2.3 EVAPORATOR, EM-2, GEN 3, FREE BLOW

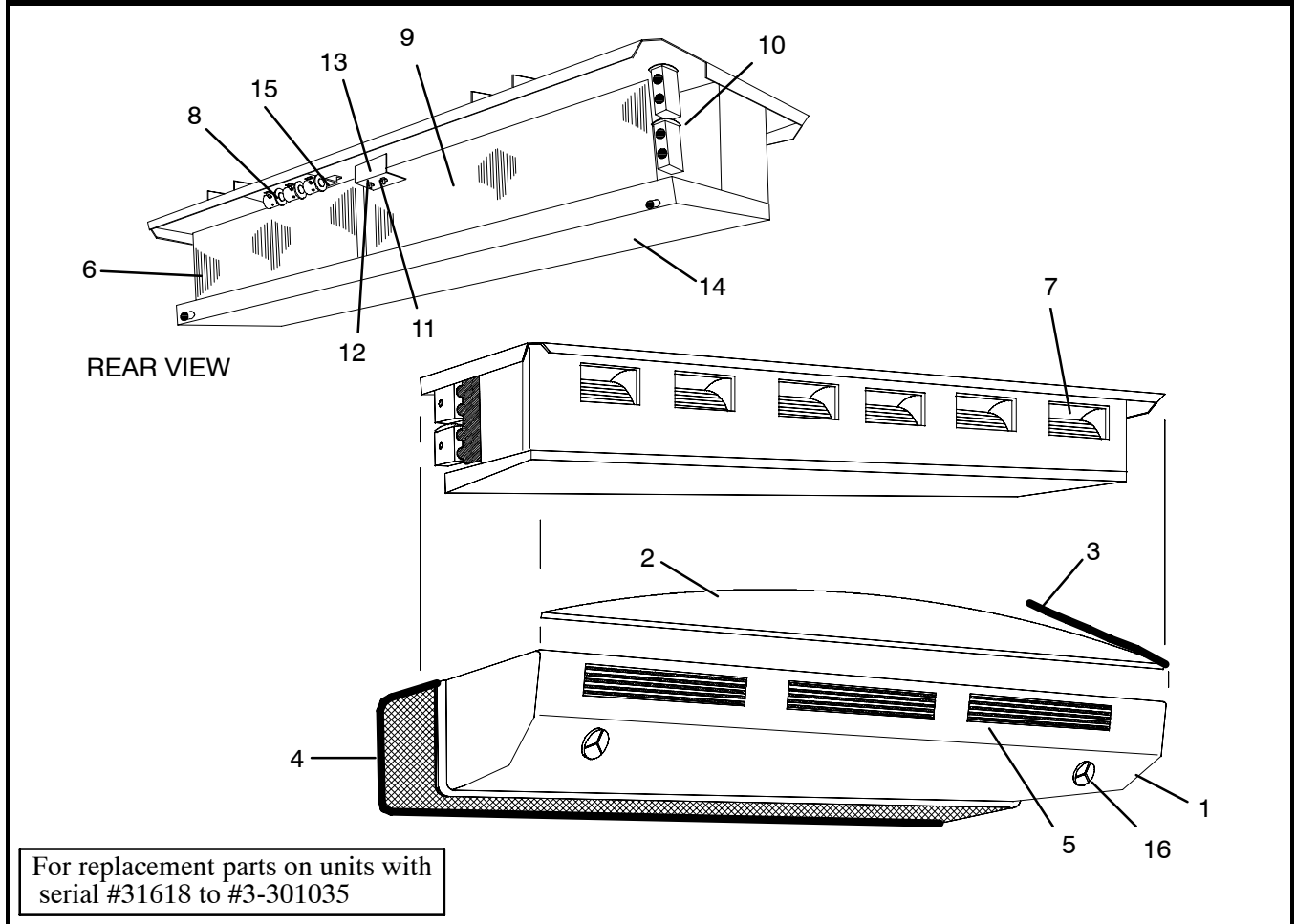
For replacement parts on units with serial #2-012001 to #2-013600



Item	Part Number	Description	Qty
1	AC022-347-S	Cover Assembly, Evaporator, Beige	1
	79-62072-00	Cover Assembly, Evaporator, White	1
	79-62072-01	Cover Assembly, Evaporator, Gray	1
2	N/A	Trim Strip, Beige (AC022-282)	1
	N/A	Trim Strip, White (AC022-282-1)	1
	N/A	Trim Strip, Gray (AC022-282-2)	1
3	AC801-412F25	Flexible Trim, Black (25 Ft. Roll)	1
4	AC022-251	Grill, Air Inlet, Painted (Black)	1
5	AC401-320	Louver Assembly, Air Outlet, (3 3/8 Inch X 14 3/8 Inch)	1
6	AC022-310-S	Drain Pan Assembly, (Foamed)	1
7	AC022-217	Coil Assembly, Without Heat (TXV & Thermostat Not Included)	1
	AC022-228	Coil Assembly, With Heat (TXV & Thermostat Not Included)	1
8	14-00301-03	Thermal Expansion Valve, R134a	1
9	AC201-501	Thermostat, Freeze-Up	1
10	AC401-221	Blower Assembly, Dual, 12 Volt	1
	AC401-222	Blower Assembly, Dual, 24 Volt	1
11	AC022-318	Harness, Unit, EM-2, 12 VDC	1
	AC022-453	Harness, Unit, EM-2, 24 VDC	1
12	76-62019-00	Resistor Kit, (1.8 Ohm, 4 Prong)	1
13	AC801-451	Filter, Return Air, (35 X 7 1/4 Inch)	1
14	AC020-009	Channel, Mounting	2
15	34-01310-01	Bolt, Carriage, 3/8-16 X 4 Inch, Full Thread, GD-8, Zinc Plated	4
16	AC801-202	O-Ring, 1/2 Inch	2
17	AC022-287	Bracket, TXV	1

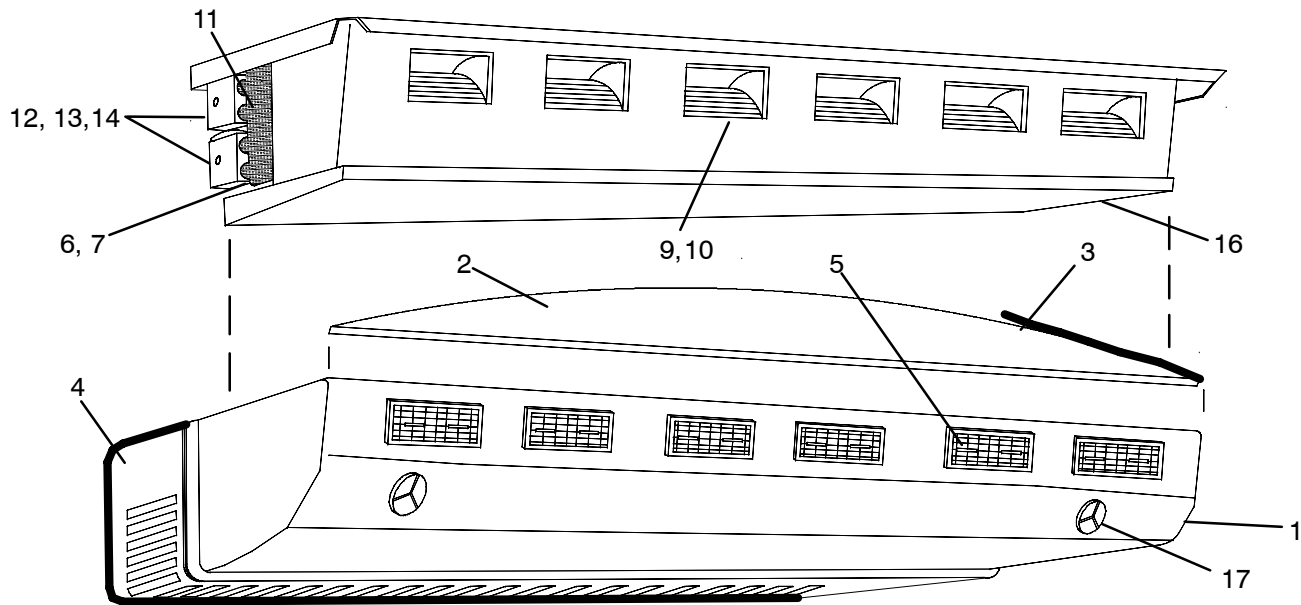
SECTION 1.3 EM-3 EVAPORATORS

1.3.1 EVAPORATOR, EM-3, GEN-1, FREE BLOW



Item	Part Number	Description	Qty
1	N/A	Cover Assembly, Beige (AC020-071)	1
2	AC020-069	Trim Strip, (Beige)	1
3	AC801-412F25	Flexible Trim, Black (25 Ft. Roll)	1
4	AC020-068	Screen, Air Inlet	1
5	AC020-013	Grill, Air Outlet,	3
6	38-00573-07	Filter, Metal	1
7	AC401-200A	Blower Assembly, Dual, 12 VDC	3
	N/A	Blower Assembly, Dual, 24 VDC (AC401-201A)	3
8	AC201-800	Solenoid, Contactor, 12 VDC	3
	AC201-803	Solenoid, Contactor, 24 VDC	3
9	AC021-125	Coil Assembly	1
	N/A	Coil Assembly, Heat, (Optional) (AC020-048)	1
10	N/A	Valve, Thermal Expansion (AC101-100)	2
11	AC201-500	Thermostat, Return Air, (Optional)	1
12	AC201-501	Thermostat, Coil Insert	1
13	AC020-072	Bracket, Mounting, Thermostats	1
14	N/A	Drain Pan Assembly (AC020-131)	1
15	AC010-072	Bracket, Mounting, Electrical Components	1
16	58-01379-00	Louver, Ball, 2-1/4 inch, with locking ring	2

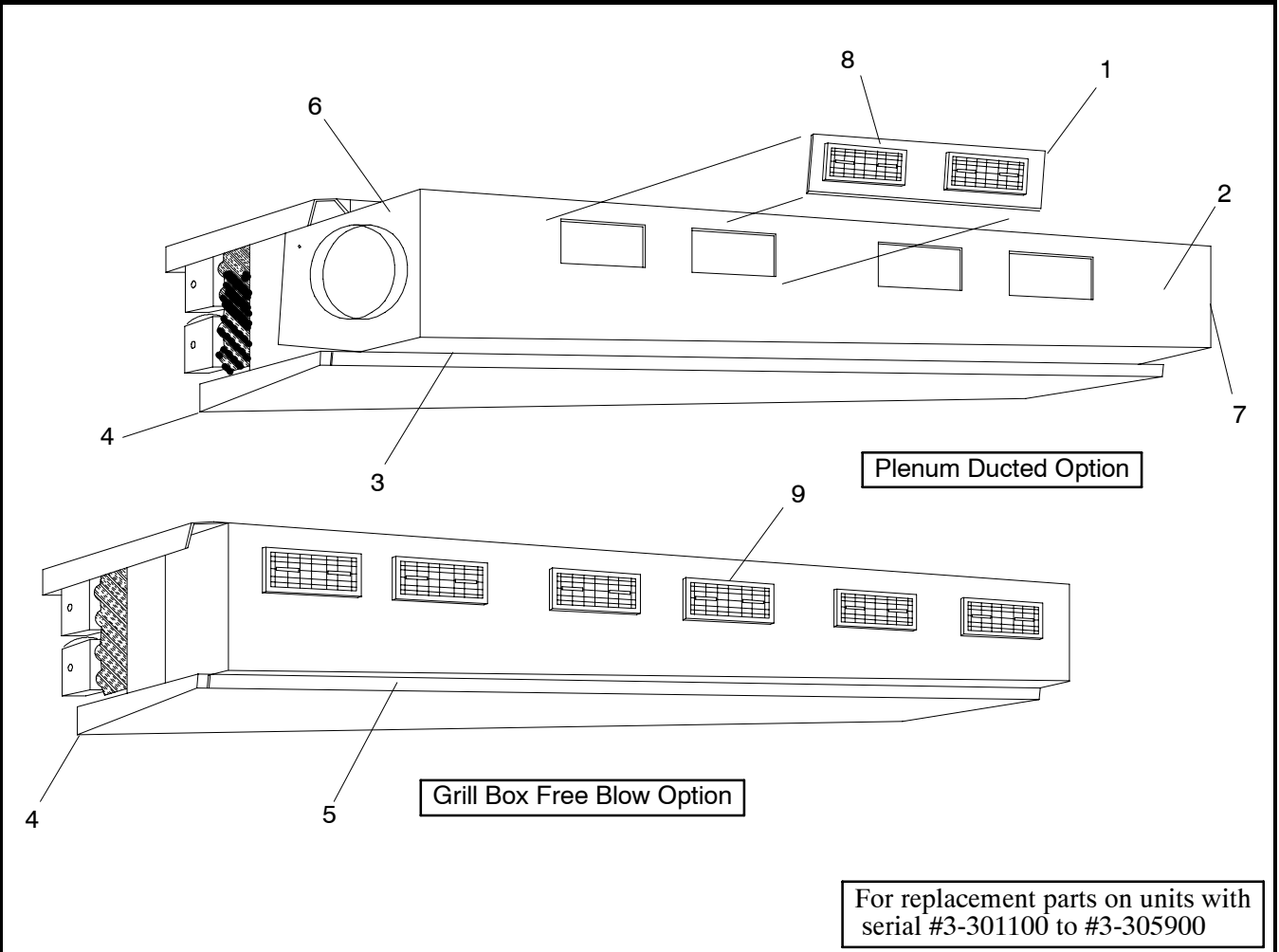
1.3.2 EVAPORATOR, EM-3, GEN-2 FREE BLOW



For replacement parts on units with serial #3-301100 to #3-305900

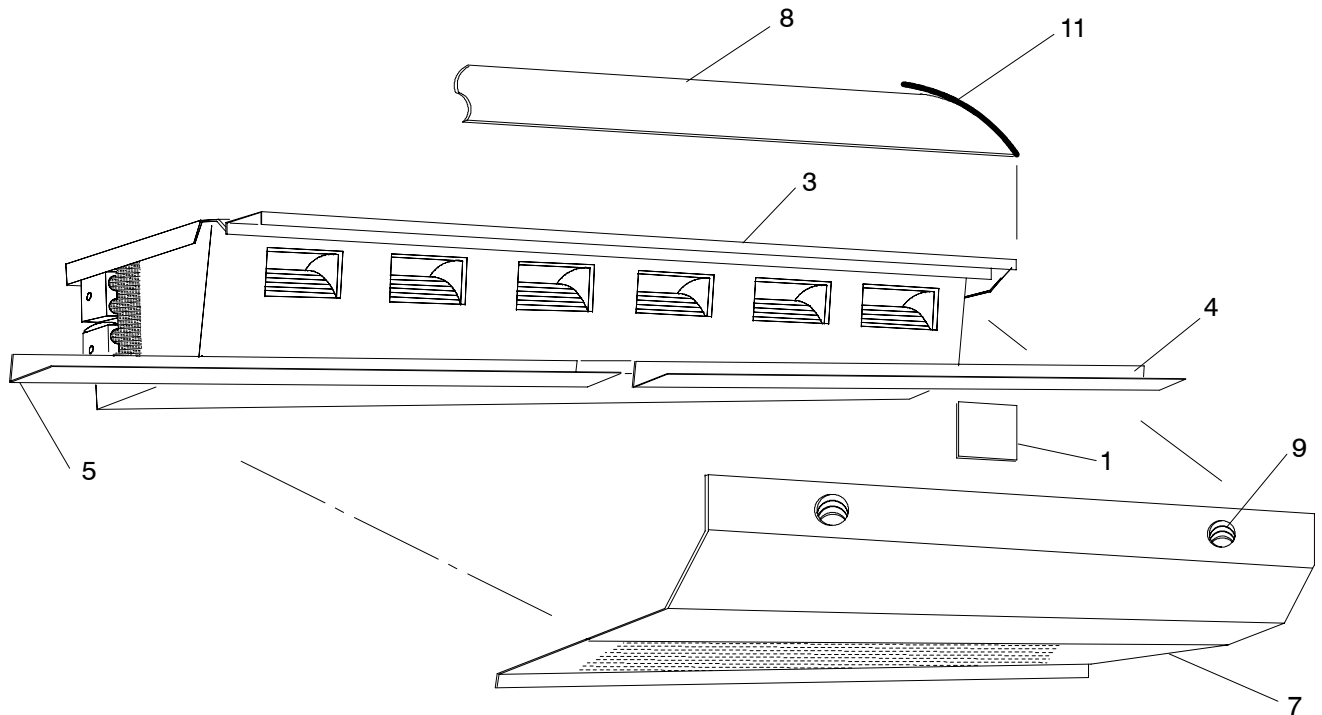
Item	Part Number	Description	Qty
1	N/A	Cover, Assembly, Beige, (AC021-012)	1
	N/A	Cover Assembly, Gray (AC021-181)	1
	N/A	Cover Assembly, Cover, White (AC021-326)	1
2	AC020-069	Trim Strip, (Beige)	1
3	AC801-412F25	Flexible Trim, Black (25 Ft. Roll)	1
4	AC021-140	Grill, Air Inlet, Black	1
5	AC401-308	Louver Assembly, Air Outlet, (3 inch X 7 inch)	6
6	38-00573-07	Filter, Metal, (1/4 X 8 X 26-1/4 Inches)	2
7	AC701-107	Clip, Filter	4
8	AC401-209A	Blower Assembly Kit, 12 VDC, Includes:	1
	76-62019-00Resistor Kit, (1.8 Ohm, 4 Prong)	1
	NSSBlower Assembly, Dual, 12 VDC - Includes: (AC401-209)	1
	54-50079-00Motor, Blower, 12 VDC	1
8	AC401-210A	Blower Assembly Kit, 24 VDC, Includes:	1
	76-62019-00Resistor Kit, (1.8 Ohm, 4 Prong)	1
	NSSBlower Assembly, Dual, 24 VDC, (AC401-210)	1
9	AC021-244	Harness Assembly, EM-3, 12 VDC	1
	AC021-323	Harness Assembly, EM-3, 24 VDC	1
10	AC021-142	Bracket, Harness Stand-Off	1
11	AC021-125	Coil Assembly, R12	1
	N/A	Coil Assembly, R134a (AC021-609)	1
12	N/A	Valve, Thermal Expansion, R12 (AC101-100)	2
	14-00301-03	Valve, Thermal Expansion, R134a	2
13	AC801-202	O-Ring, 1/2 Inch, R12/R134a	4
14	AC020-126	Bracket, Thermal Expansion Valve	1
15	AC201-501	Thermostat, Coil Insert	1
16	AC021-126	Assembly, Drain Pan	1
17	58-01379-00	Louver, Ball, 2-1/4 inch, with locking ring	2

1.3.3 PLENUM & GRILL BOX FOR EVAPORATOR EM-3, GEN 2



Item	Part Number	Description	Qty
1	AC011-026	Plate, Louver, Black	2
2	AC021-209	Panel, Plenum, Front	1
3	AC021-210	Panel, Plenum, Bottom	1
4	AC021-229	Weldment, Grill Box	1
5	AC021-230	Panel, Bottom, Grill Box	1
6	AC021-239	Plenum, Left Side, 6 Inch	1
7	AC021-240	Plenum, Right Side, 6 Inch	14
8	AC401-308	Louver, With Bezel, Black, (3 Inch X 7 Inches)	1
9	AC401-314	Louver, With Bezel, Black, (3-1/4 X 7-3/4 Inches)	2

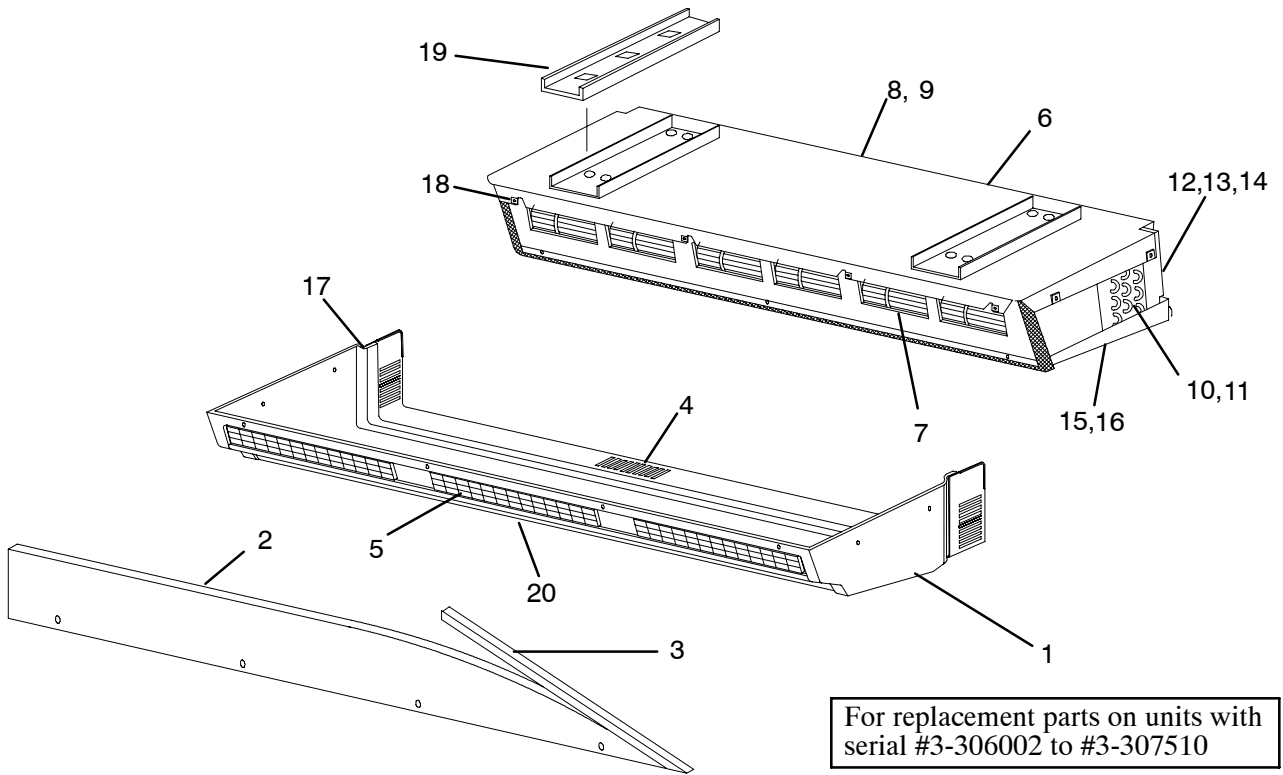
1.3.4 EVAPORATOR, EM-3, GEN 2, DUCTED



For replacement parts on units with serial #3-301100 to #3-305900

Item	Part Number	Description	Qty
1	68-62580-00	Air Block, Side, (Beige)	2
	68-62580-01	Air Block, Side, (Gray/White)	2
2	AC011-018	Angle, Mounting, End Cap	2
3	AC011-078	Channel, Support	1
4	AC011-079	Angle, Drain Pan, Right	1
5	AC011-080	Angle, Draion Pan, Left	1
6	AC011-081	Cover, 18 Inch, Side Section, (Beige)	2
	AC011-081-1	Cover, 18 Inch, Side Section, (White)	2
	AC011-081-2	Cover, 18 Inch, Side Section, (Gray)	2
7	AC011-082	Cover, 55 Inch, Center Section, (Beige)	1
	AC011-082-1	Cover, 55 Inch, Center Section, (White)	1
	AC011-082-2	Cover, 55 Inch, Center Section, (Gray)	1
8	AC020-069	Trim Strip, Beige	1
9	AC401-301	Grill, 3 Inch, Round	3
10	AC801-403	Gasket, Foam, 1-1/4 Inch 1-1/4 Inch x 25 Foot Roll	1
11	AC801-412F25	Trim, Flexible, Black (25 Ft. Roll)	1

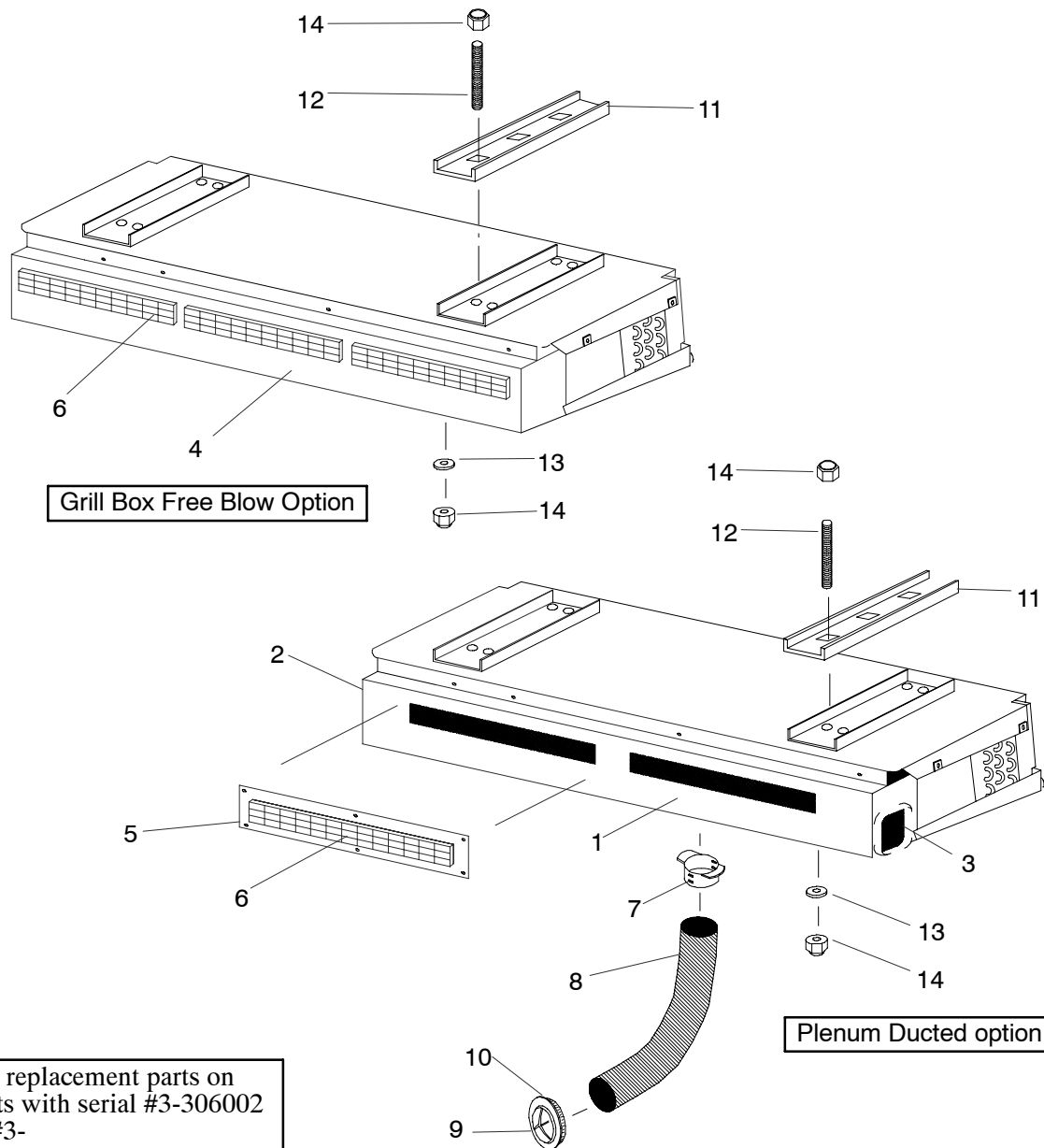
1.3.5 EVAPORATOR, EM-3, GEN-3, FREE BLOW



For replacement parts on units with serial #3-306002 to #3-307510

Item	Part Number	Description	Qty
1	AC022-348-S	Cover Assembly, Beige, (Standard)	1
	79-62073-01	Cover Assembly, Gray	1
	79-62073-00	Cover Assembly, White	1
2	AC022-283	Trim Strip, Beige	1
	AC022-283-1	Trim Strip, White	1
	AC022-283-2	Trim Strip, Gray	1
3	AC801-412F25	Flexible Trim, Black (25 Ft. Roll)	1
4	AC022-252	Grill, Air Inlet, Painted, Black	1
5	AC401-320	Louver Assembly, Air Outlet, (14-3/8 inch X 7-1/4 inch)	2
6	AC801-452	Filter, Return Air, (35 inch X 3-3/8 inch)	4
7	AC401-232	Blower Assembly, Dual, 12 VDC	3
	AC401-233	Blower Assembly, Dual, 24 VDC	3
8	76-62019-00	Resistor Kit, (1.8 Ohm, 4 Prong)	3
9	AC022-324	Harness, Unit, EM-3, 12 VDC	1
	AC022-454	Harness, Unit, EM-3, 24 VDC	1
10	AC022-320-S	Assembly, Coil, R134a, Without Heat	1
11	N/A	Assembly, Coil, With Heat, R134a (AC022-473-S)	1
12	14-00301-03	Valve, Thermal Expansion, R134a	2
13	AC801-202	O-Ring, 1/2 Inch	4
14	AC201-501	Thermostat, Freeze-Up, Coil Insert	1
15	AC022-321-S	Drain Pan Assembly, (Foamed)	1
16	AC022-314	Baffel, Foam, EM_3 Drain Pan	1
17	AC801-403	Gasket, Foam, 1-1/4 inch X 1-1/4 inch X 25 Foot Roll	1
18	AC701-123	Clip, Tinnerman, High-Torque, (#10AB)	14
19	AC020-028	Channel, Mounting	2
20	AC022-289	Emblem, Carrier	1

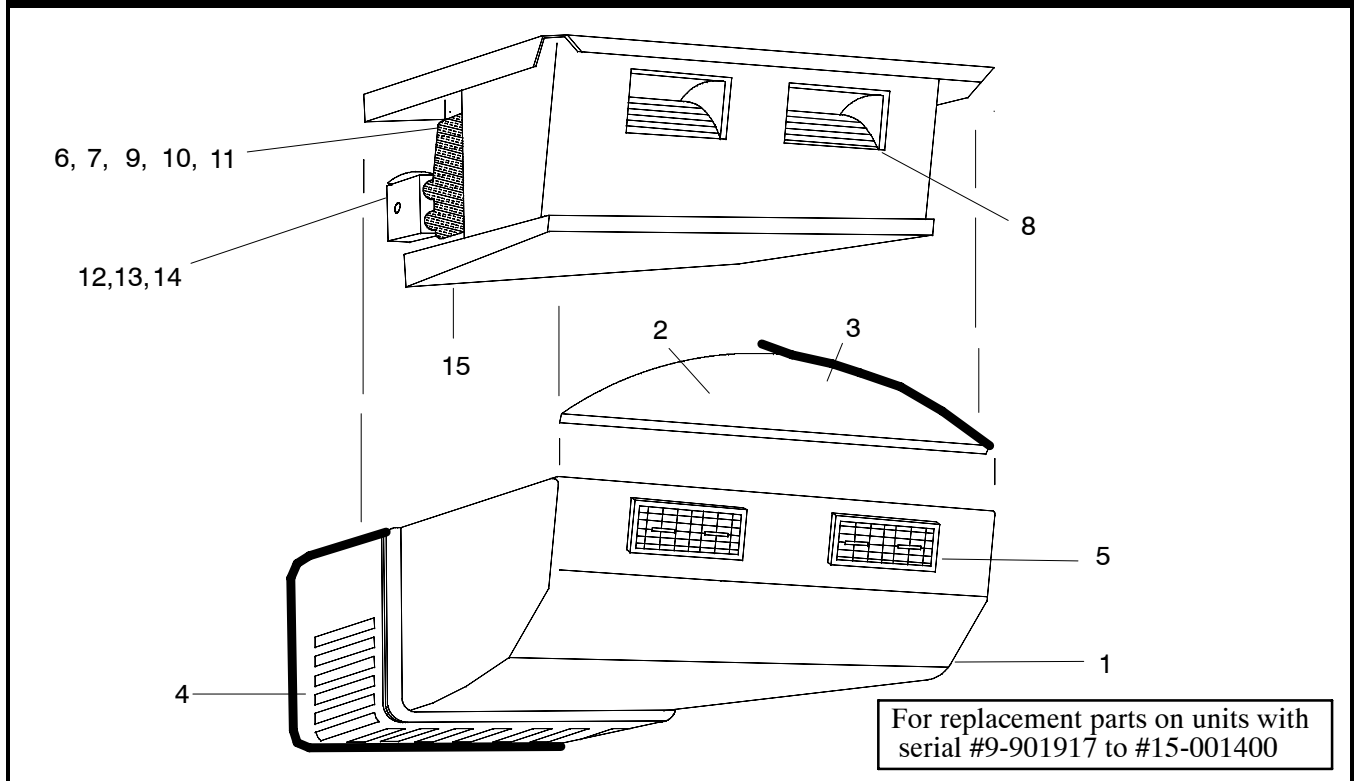
1.3.6 EVAPORATOR, EM-3, GEN 3, DUCTED, WITH PLENUM OR GRILL BOX



Item	Part Number	Description	Qty
1	AC022-304	Plenum, Front	1
2	AC022-332	Weldment, Plenum, Left Side	1
3	AC022-333	Weldment, Plenum, Right Side	1
4	AC022-342P	Grill Box, Front, (Painted)	1
5	AC022-464P	Plate, Louver, (Painted)	1
6	AC401-320	Louver, (14-3/8 X 3-3/8 Inches)	A/R
7	AC401-307	Adapter, Hose, (2-1/2 Inch)	2
8	AC301-205	Hose, Duct, 2-1/2 Inch Diameter X Foot	3
9	58-01386-00	Ball, Louver, 2-1/2 Inch Diameter With Hose Back	2
10	AC401-306	Ring, Mounting, For Louver Ball	2
11	AC020-028	Channel, Mounting	2
12	34-00971-02	Threaded Rod, 3/8-16 X 3 Ft.	2
13	34-00588-13	Washer, Flat, 3/8 Inch, Zinc Plated	12
14	34-00361-13	Nut, Hex, Lock, (Esna), 3/8-16, Zinc Plated	12

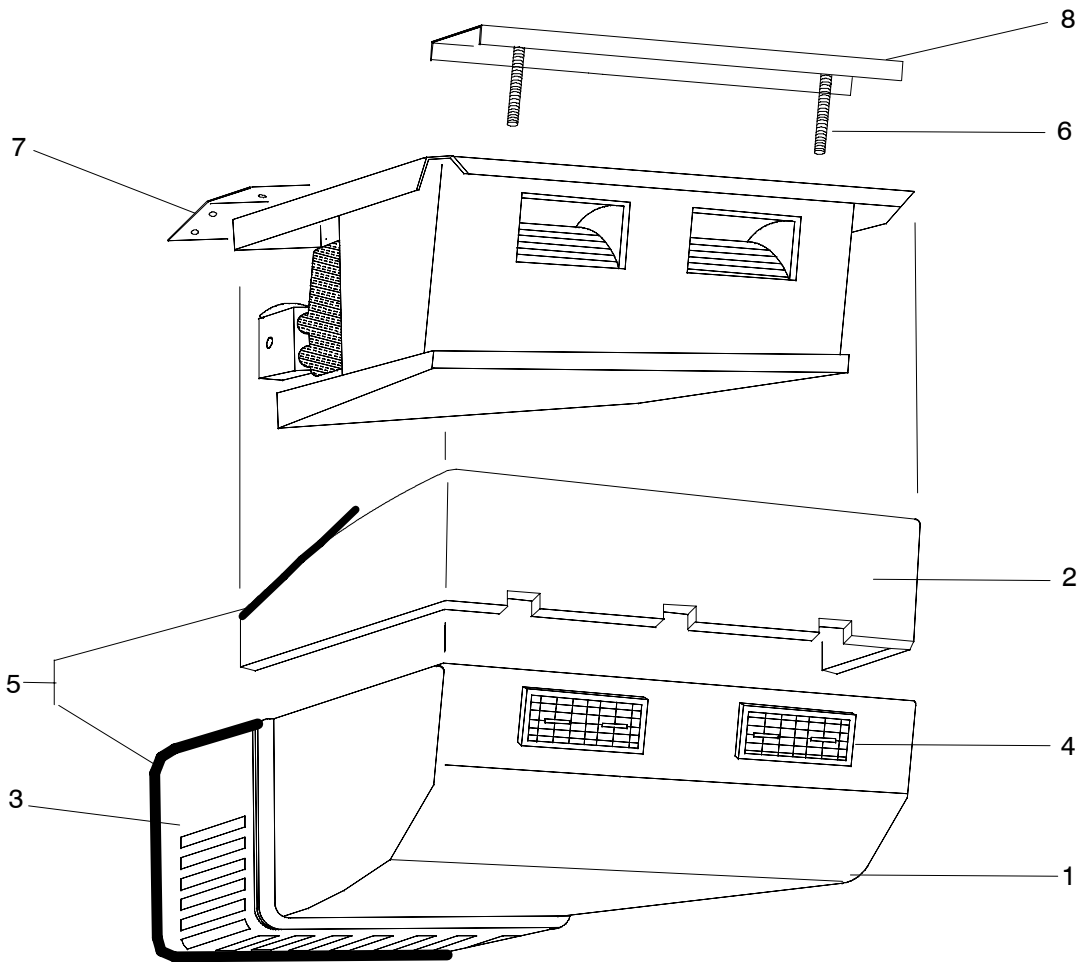
SECTION 1.4 EM-6 EVAPORATORS

1.4.1 EVAPORATOR, EM-6, GEN-2, FREE BLOW



Item	Part Number	Description	Qty
1	N/A	Cover Assembly, Beige, (AC021-036)	1
	AC021-321	Cover Assembly, White	1
2	N/A	Trim Strip, White (AC020-005-1)	1
3	AC801-412F25	Flexible Trim, Black (25 Ft. Roll)	1
4	AC021-171	Grill, Air Inlet, Black	1
5	AC401-308	Louver Assembly, Air Outlet, (3 inch X 7 inch)	2
6	AC801-440	Filter, Return Air, Metal (.090 X 8.0 X 19.88 Inches)	1
7	AC701-107	Clip, Filter	2
8	AC401-209A	Blower Assembly Kit, 12 VDC, Includes:	1
	76-62019-00Resistor Kit, (1.8 Ohm, 4 Prong)	1
	NSSBlower Assembly, Dual, 12 VDC - Includes: (AC401-209)	1
	54-50079-00Motor, Blower, 12 VDC	1
8	AC401-210A	Blower Assembly Kit, 24 VDC, Includes:	1
	76-62019-00Resistor Kit, (1.8 Ohm, 4 Prong)	1
	NSSBlower Assembly, Dual, 24 VDC, (AC401-210)	1
9	AC021-142	Bracket, Harness Stand-Off	1
10	AC021-150	Harness Assembly, EM-6, 12 VDC	1
	AC021-307	Harness Assembly, EM-6, 24 VDC	1
11	AC020-094	Coil Assembly, (TXV Not Included)	1
12	N/A	Valve, Thermal Expansion, R12 (AC101-100)	1
	14-00301-03	Valve, Thermal Expansion, R134a	1
13	AC801-202	O-Ring, 1/2 Inch	2
14	AC021-196	Bracket, Thermal Expansion Valve, (TXV)	1
N/S	AC201-501	Thermostat, Freeze-Up, Coil Insert, (Optional)	1
15	N/A	Drain Pan Assembly (AC021-176)	1

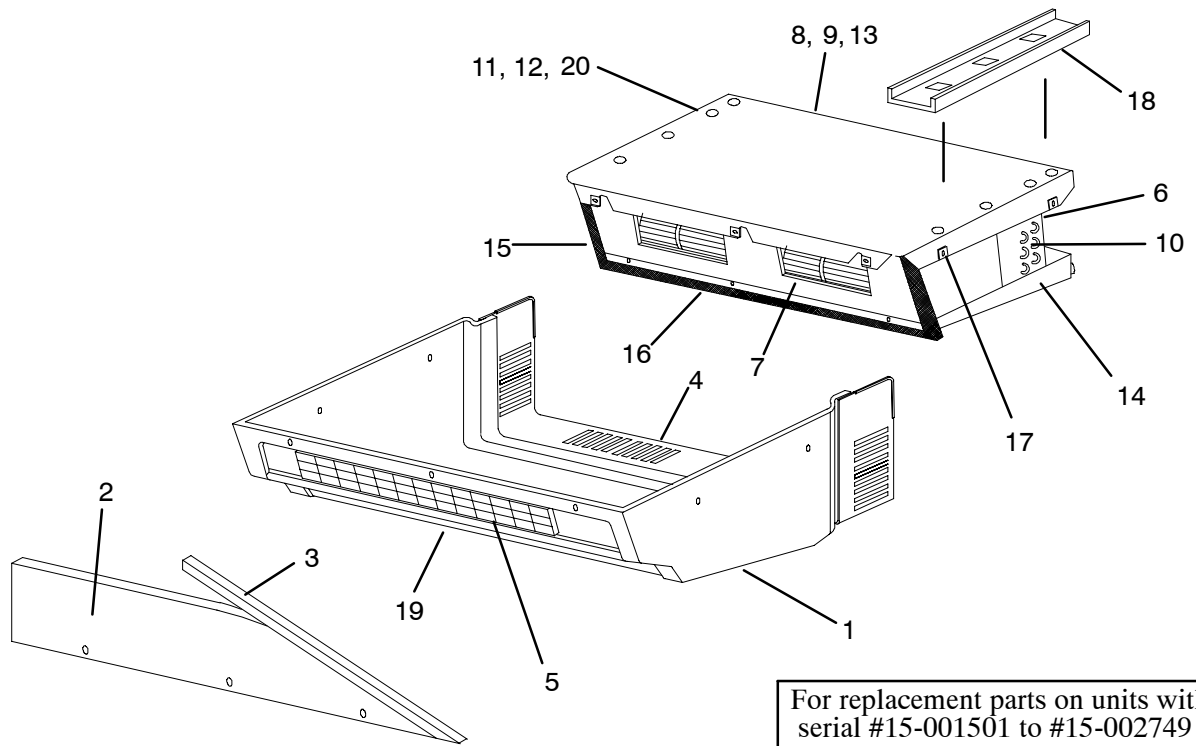
1.4.2 EVAPORATOR, EM-6, GEN 2, SIDE MOUNT, FREE BLOW



For replacement parts on units with serial #9-901917 to #15-001400

Item	Part Number	Description	Qty
1	AC021-036	Cover Assembly, Beige, (Side Mount)	1
2	N/A	Trim Strip, Beige (AC021-280)	1
3	AC021-262P	Grill, Air Inlet, Black, Painted	1
4	AC401-308	Louver Assembly, 3 X 7 Inch, (Black)	2
5	AC801-412F25	Trim, Flexible, Black (25 Ft. Roll)	1
6	AC020-171P	Rod, Hanger Adjuster	2
7	AC021-277	Hanger, Rear	1
8	AC021-278	Hanger, Front	1

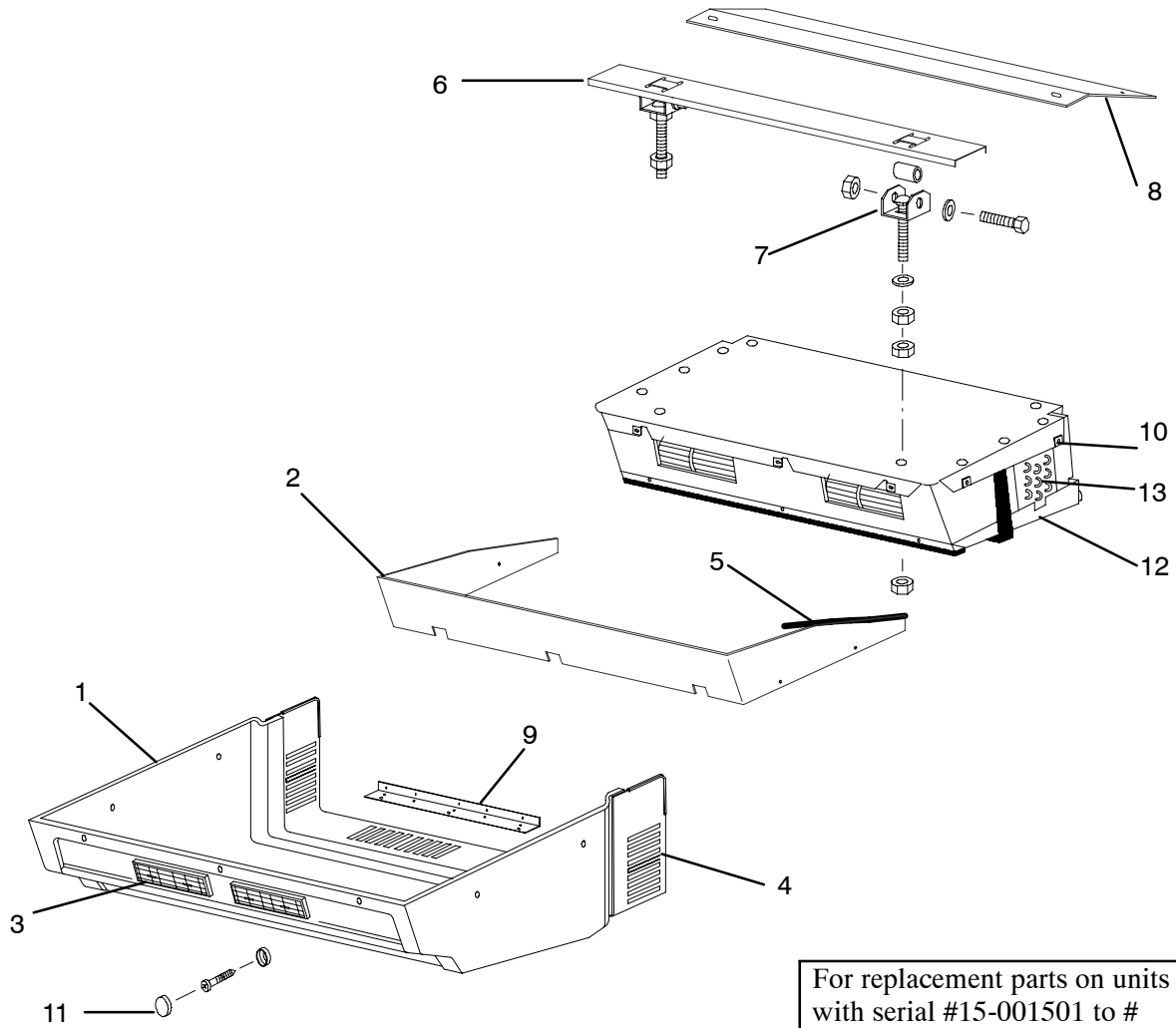
1.4.3 EVAPORATOR, EM-6, GEN-3, FREE BLOW



For replacement parts on units with serial #15-001501 to #15-002749

Item	Part Number	Description	Qty
1	N/A	Cover Assembly, Beige (AC022-349-S)	1
	79-62074-00	Cover Assembly, White	1
	AC022-354-S	Cover Assembly, Gray	1
2	N/A	Trim Strip, Beige, (39-1/2 X 3-1/4 Inch) (AC022-284)	1
	N/A	Trim Strip, White, (39-1/2 X 3-1/4 Inch) (AC022-284-1)	1
	N/A	Trim Strip, Gray, (39-1/2 X 3-1/4 Inch) (AC022-284-2)	1
3	AC801-412F25	Flexible Trim, Black (25 Ft. Roll)	1
4	AC022-253	Grill, Air Inlet, Black, (Painted)	1
5	AC401-320	Louver Assembly, Air Outlet, (14-3/8 inch X 3-3/8 Inch)	1
6	AC801-453	Filter, Return Air (1/2 X 8-1/4 X 19-1/4 Inch)	1
7	AC401-221	Blower Assembly, Dual, 12 VDC	1
	AC401-222	Blower Assembly, Dual, 24 VDC	1
8	76-62019-00	Resistor Kit, (1.8 Ohm, 4 Prong)	1
9	AC022-325	Harness, Unit, EM-6, 12 VDC	1
	AC022-455	Harness, Unit, EM-6, 24 VDC	1
10	AC020-094	Coil Assembly, TXV Not Included	1
11	14-00301-03	Valve, Thermal Expansion, R134a	1
12	AC801-202	O-Ring, 1/2 Inch	2
13	AC201-501	Thermostat, Freeze-Up, Coil Insert	1
14	AC022-335S	Drain Pan Assembly, (Foamed)	1
15	AC801-403	Gasket, Foam, (1-1/4 Inch X 1-1/4 Inch X 25 Foot Roll)	1
16	AC801-414	Gasket, Foam, (3/8 Inch X 1 Inch X Foot)	4
17	AC701-123	Clip, Tinnerman, High-Torque (#10AB)	11
18	AC020-009	Channel, Mounting	2
19	AC022-289	Emblem, Carrier, (2-7/8 Inch)	1
20	AC021-196	Bracket, Thermal Expansion Valve (TXV)	1

1.4.4 EVAPORATOR, EM-6, GEN 3, SIDE MOUNT, FREE BLOW

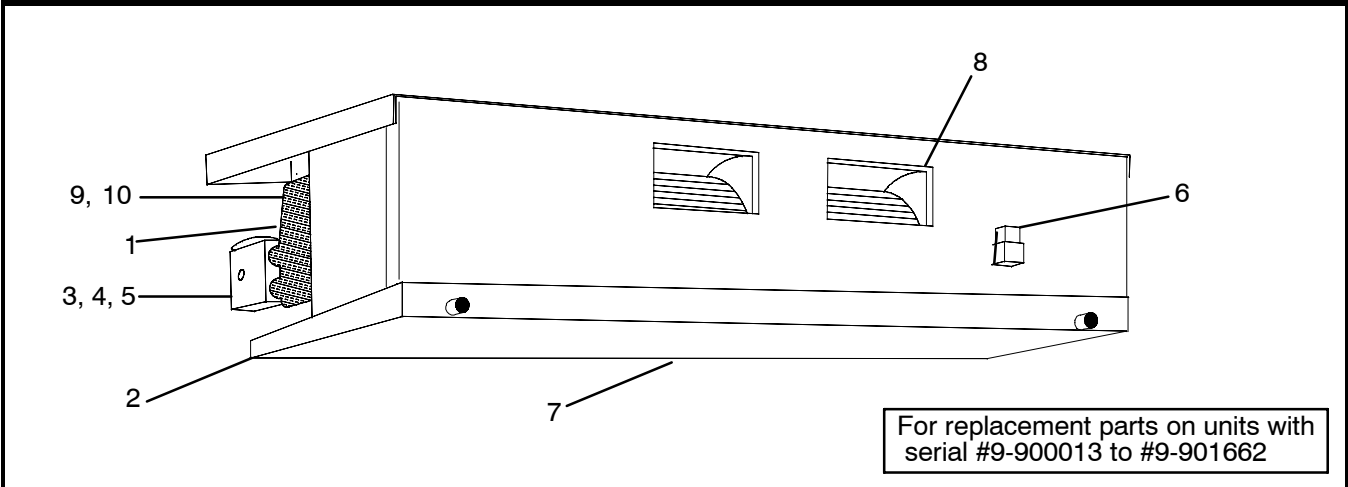


For replacement parts on units with serial #15-001501 to #

Item	Part Number	Description	Qty
1	79-62076-00	Cover Assembly, White	1
	79-62076-01	Cover Assembly, Gray	1
	N/A	Cover Assembly, Beige, (AC022-490-S)	1
2	AC022-293-1	Strip, Trim, White	1
	AC022-293-2	Strip, Trim, Gray	1
3	AC401-308	Assembly, Louver (7.0 X 3.0 Inches)	2
4	AC022-295P	Grill, Return Air, (Painted)	1
5	AC801-412F25	Trim, Flexible, Black (25 Ft. Roll)	1
6	AC021-278	Weldment, Hanger	1
7	AC021-223	Hanger, Front	2
8	AC022-297	Hanger, Rear	1
9	AC020-179P	Angle, Rear Screen Support	1
10	AC701-123	Clip, Tinnerman, High Torque, #10AB	10
11	AC801-530	Cap, Snap, Beige	7
	AC801-531	Cap, Snap, White	7
	AC801-532	Cap, Snap, Gray	7
12	AC022-772	Drain Pan	1
13	AC022-773-S	Coil Assembly, 3 Row, W/O Heat (Includes TXV)	1

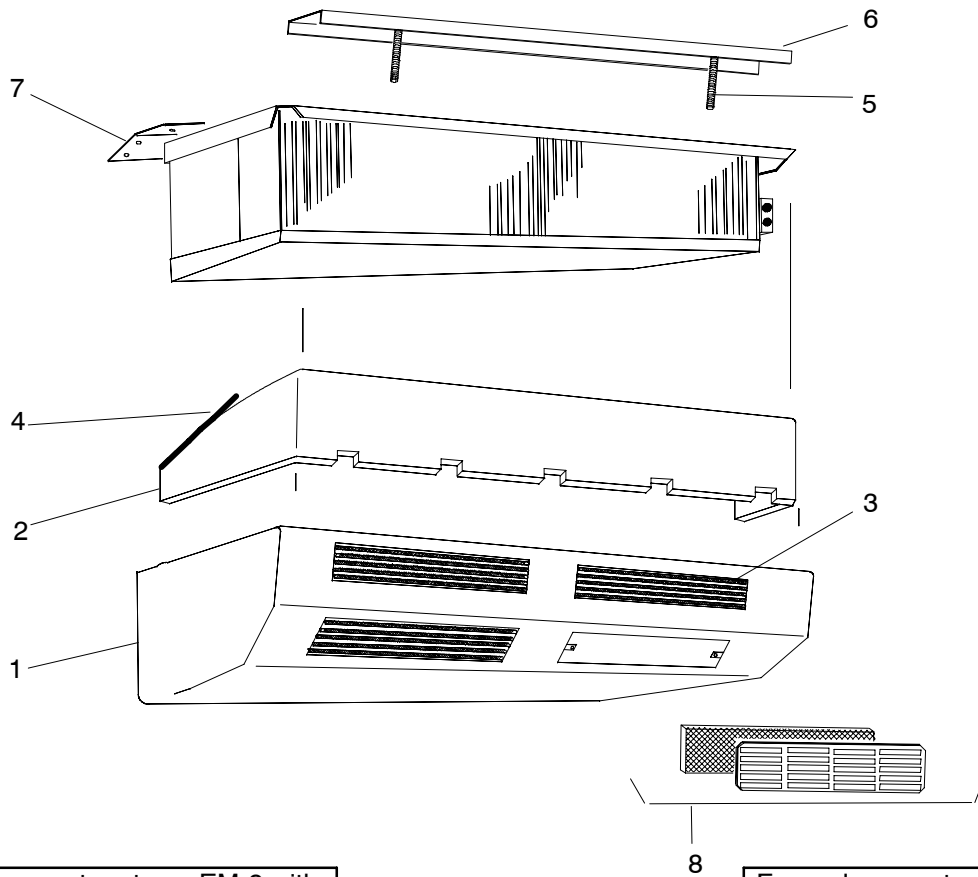
SECTION 1.5 EM-8 EVAPORATOR

1.5.1 EVAPORATOR, EM-8, GEN 1, DUCTED



Item	Part Number	Description	Qty
1	AC021-113	Coil Assembly	1
2	N/A	Drain Pan Assembly, (EM-8/9) (AC020-120)	1
3	N/A	Valve, Thermal Expansion (AC101-100)	1
4	AC801-202	O-Ring, 1/2 Inch	2
5	AC020-126	Bracket, TXV	1
6	AC201-806	Relay, 12 VDC, (Medium Speed)	1
	AC201-807	Relay, 24 VDC, (Medium Speed)	1
7	AC201-904	Harness With Connector, EM-8	1
8	AC401-200A	Blower Assembly, 12 VDC	1
	N/A	Blower Assembly, 24 VDC (AC401-201A)	1
9	38-00558-00	Filter Assembly, Inlet, Metal	1
10	AC701-107	Clip, Filter	4

1.5.2 EVAPORATOR, EM-8 & 9, GEN 1, SIDE MOUNT, DUCTED



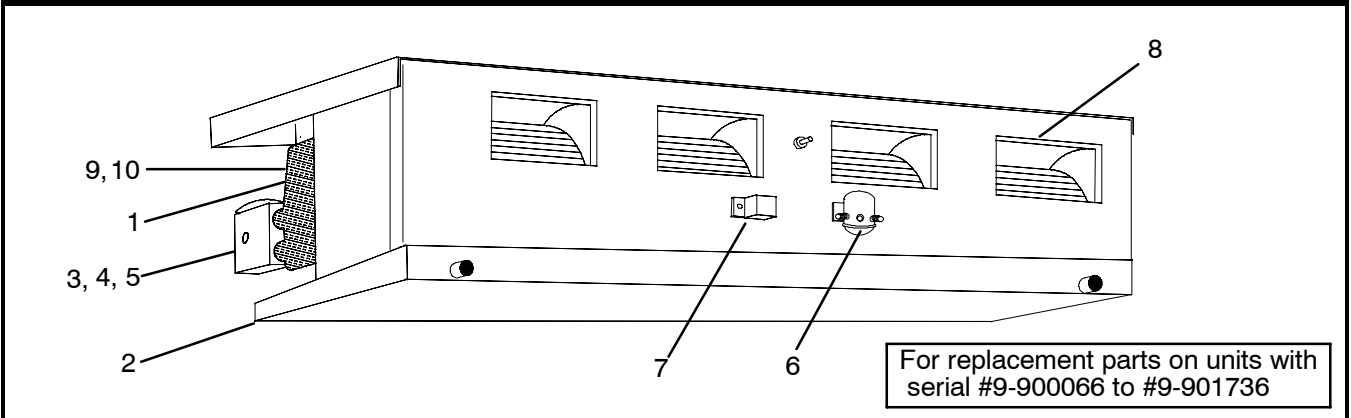
For replacement parts on EM-8 with serial #9-900013 to #9-901662

For replacement parts on EM-9 with serial # 9-900066 to #9-901736

Item	Part Number	Description	Qty
1	N/A	Cover Assembly, Beige (AC020-199)	1
2	N/A	Trim Strip (AC020-177)	1
3	AC020-013	Grill, Return Air, (Front)	4
4	AC801-412F25	Trim, Flexible, Black (25 Ft. Roll)	1
5	AC020-171P	Rod, Hanger Adjuster	2
6	AC020-174	Hanger, Front	1
7	AC020-172	Hanger, Rear	1
8	N/A	Removable Filter Installation Kit, (Optional) (AC010-198)	1

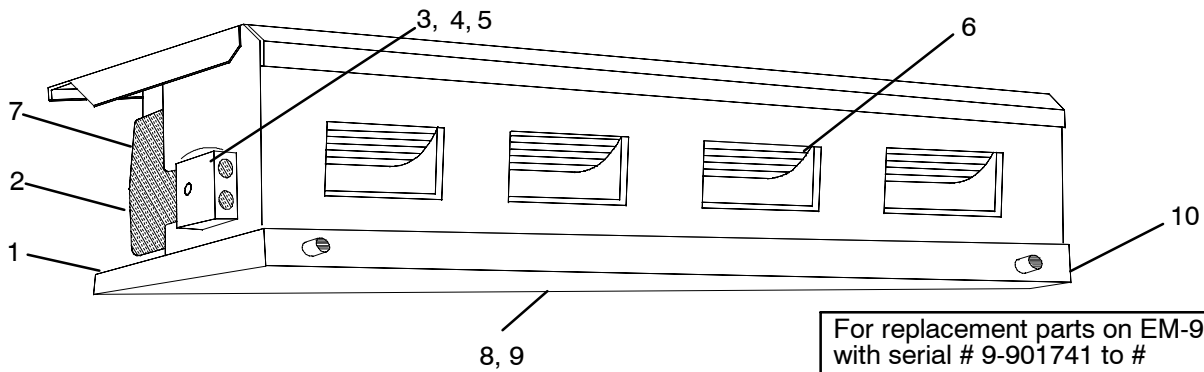
SECTION 1.6 EM-9 EVAPORATORS

1.6.1 EVAPORATOR, EM-9, GEN 1, DUCTED



Item	Part Number	Description	Qty
1	AC021-113	Coil Assembly	1
2	N/A	Drain Pan Assembly (AC020-120)	1
3	N/A	Valve, Thermal Expansion (AC101-100)	1
4	AC801-202	O-Ring, 1/2 Inch	2
5	AC020-126	Bracket, TXV	1
6	AC201-800	Solenoid, 12 VDC, (High Speed)	1
	AC201-803	Solenoid, 24 VDC, (High Speed)	1
7	AC201-806	Relay, 12 VDC, (Medium Speed)	1
	AC201-807	Relay, 24 VDC, (Medium Speed)	1
8	AC401-200A	Blower Assembly, 12 VDC	2
	N/A	Blower Assembly, 24 VDC (AC401-201A)	2
9	38-00558-00	Filter Assembly, Inlet, Metal	1
10	AC701-107	Clip, Filter	4

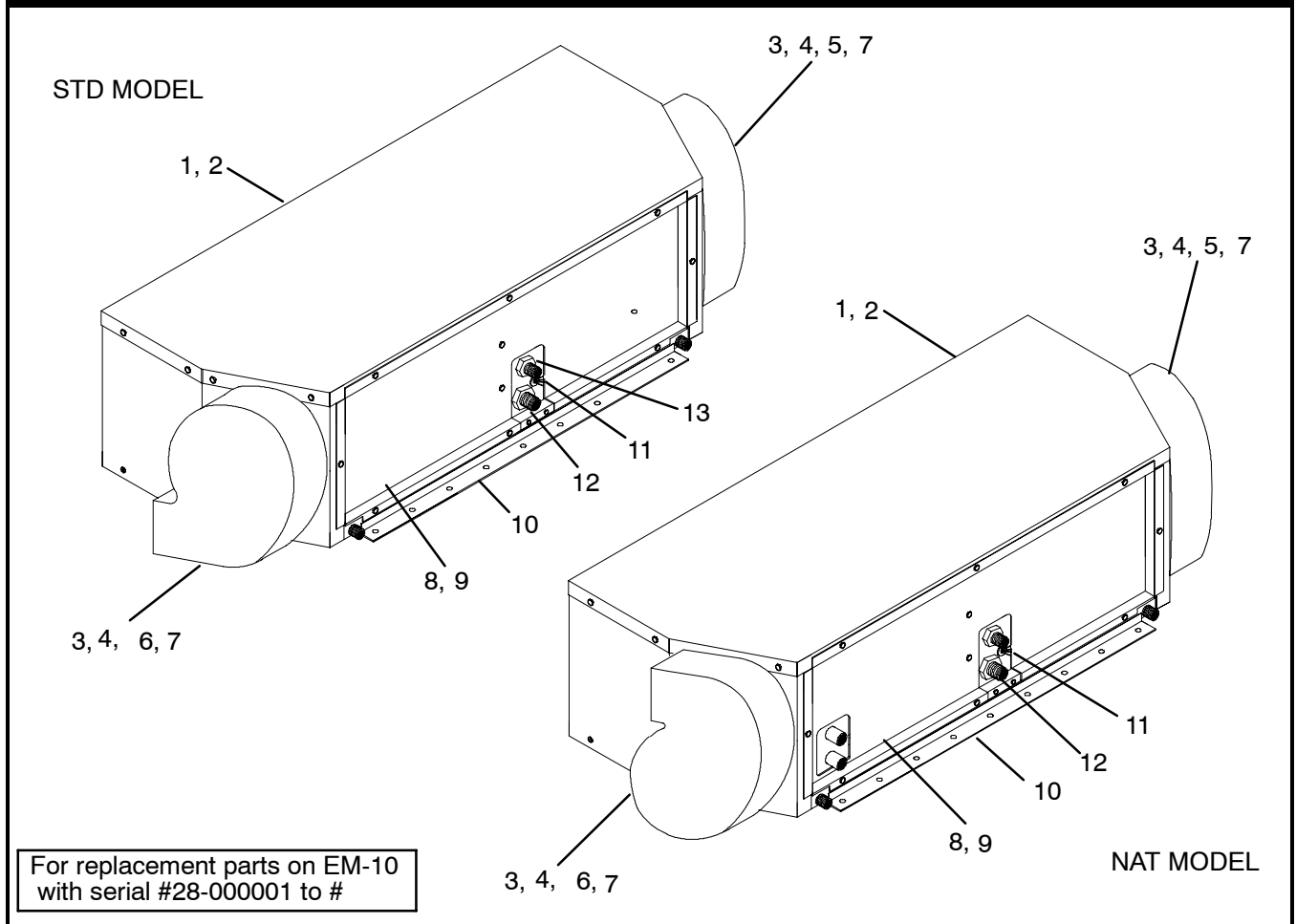
1.6.2 EVAPORATOR, EM-9, GEN 2, DUCTED



Item	Part Number	Description	Qty
1	AC021-158	Drain Pan Assembly	1
2	AC021-191	Coil Assembly, R12	1
	AC021-178	Coil Assembly, R134a (TXV Not Included)	1
3	N/A	Valve, Thermal Expansion, R12 (AC101-100)	1
	14-00301-03	Valve, Thermal Expansion, R134a	1
4	AC021-195	Bracket, TXV	1
5	AC801-202	O-Ring, 1/2 Inch, (R-12/R-134a)	2
6	AC401-209A	Blower Assembly Kit, 12 VDC, Includes:	1
	76-62019-00Resistor Kit, (1.8 Ohm, 4 Prong)	1
	NSSBlower Assembly, Dual, 12 VDC - Includes: (AC401-209)	1
6	54-50079-00Motor, Blower, 12 VDC	1
	AC401-210A	Blower Assembly Kit, 24 VDC, Includes:	1
	76-62019-00Resistor Kit, (1.8 Ohm, 4 Prong)	1
7	NSSBlower Assembly, Dual, 24 VDC, (AC401-210)	1
	38-00558-00	Filter Assembly, Inlet, Metal	1
8	AC021-149	Harness Assembly, EM-9, 12 VDC	1
	AC021-307	Harness Assembly, EM-9, 24 VDC	1
9	AC021-142	Bracket, Harness Strand-off	2
N/S	AC201-609	Resistor, 3 Prong (Optional)	2
10	81-62019-00	Drain Pan	1

SECTION 1.7 EM-10 EVAPORATORS

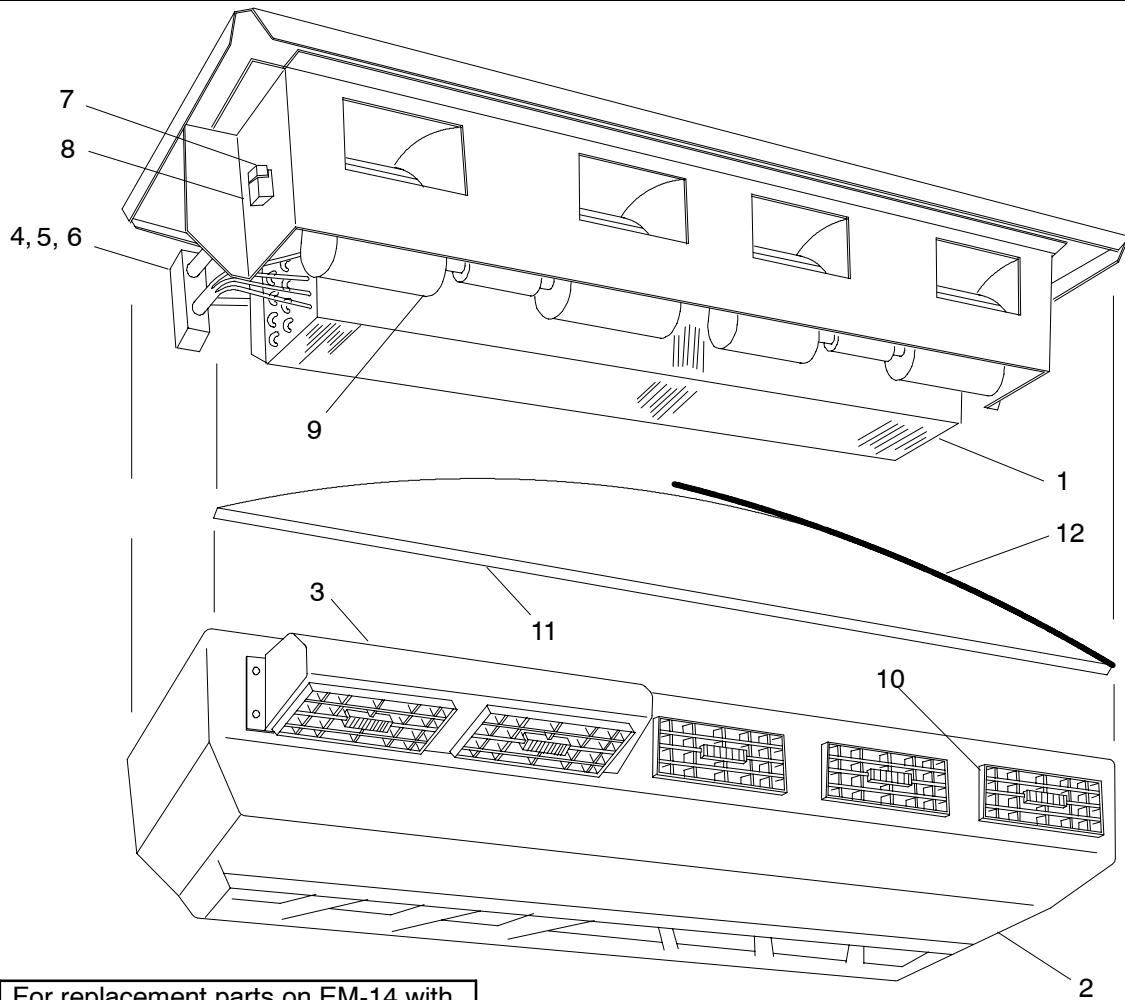
1.7.1 EVAPORATOR, EM-10, STD & NAT MODELS



Item	Part Number	Description	Qty-STD	Qty-NAT
1	AC021-318	Coil Assembly,	1	1
2	AC021-394	Coil Assembly, Heat	1	1
3	AC501-122	Motor	2	2
4	AC401-215	Blower Wheel	2	2
5	AC021-356	Housing, Blower, Insulated, Passenger Side	2	1
6	AC021-396	Housing, Blower, Insulated, Drivers Side	N/A	1
7	AC401-217	Ring, Venturi	2	2
8	66U1-1224-24	Valve, Expansion, R12	1	N/A
	66U1-1224-7	Valve, Expansion, R134a	N/A	1
9	AC201-615	Resistor, .25OHMS, With Mounting Brackets	N/A	1
10	AC801-443	Filter, Return Air	1	1
11	AC301-682	Fitting, 37°, JIC O-Ring, 1-1/16 X 12 Thread	1	N/A
	40-00491-09	Fitting, ORS, 1-14 X 5/8 Inch Outside Diameter	N/A	1
12	DE07DA612	Fitting, 37°, JIC O-Ring, 1-5/8 X 12 Thread	1	N/A
	40-00491-03	Fitting, ORS, 1-11/16 X 1-1/8 Inch Outside Diameter	N/A	1
13	34-06088-01	Locknut, ORS, 1-11/16 X 12 Thread	N/A	1

SECTION 1.8 EM-14 EVAPORATORS

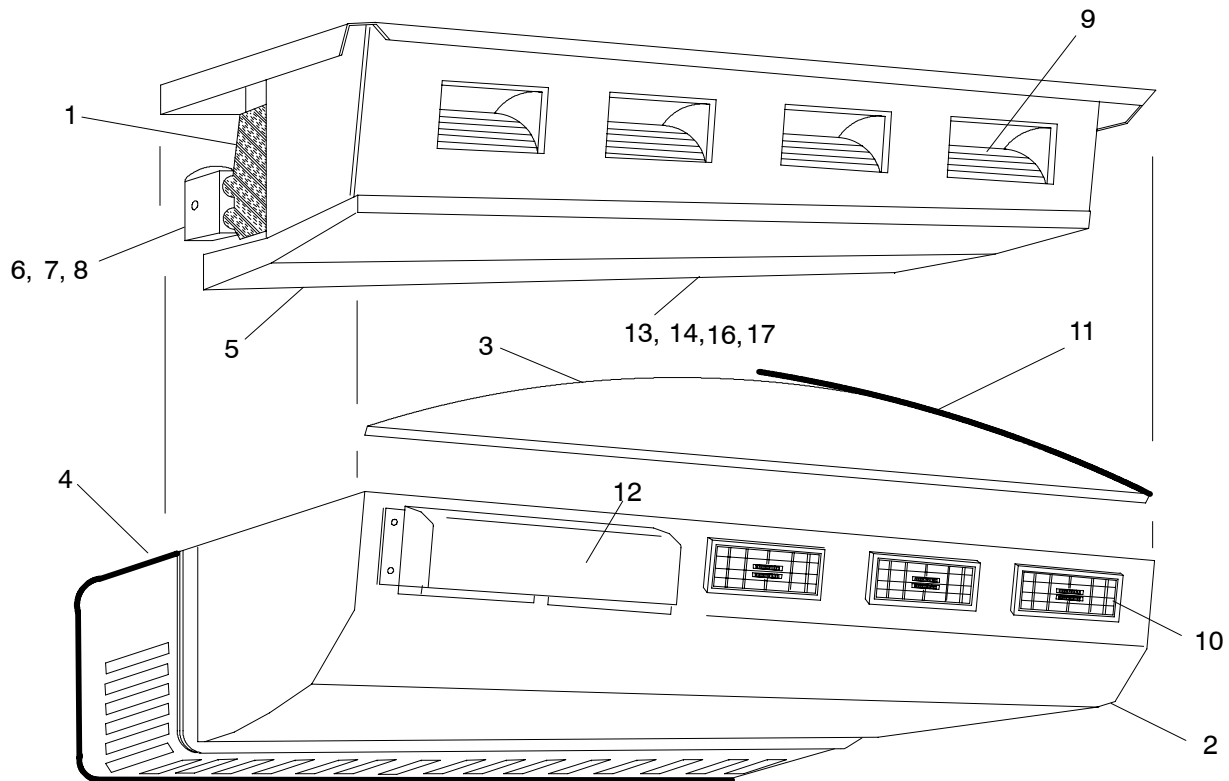
1.8.1 EVAPORATOR, EM-14, GEN 1, FREE BLOW



For replacement parts on EM-14 with serial #37683 to #4-006861

Item	Part Number	Description	Qty
1	AC020-105	Coil Assembly	1
2	AC020-118	Cover Assembly, Beige, (Standard)	1
	N/A	Cover Assembly, White, (Optional) (AC020-129)	1
3	AC020-253	Snoot, Black, (Optional)	1
4	N/A	Valve, Thermal Expansion (AC101-100)	1
5	AC020-121	Spacer, TXV	1
6	AC801-202	O-Ring, 1/2 Inch	2
7	AC201-806	Relay, 12 VDC, High Speed	1
	AC201-807	Relay, 24 VDC, High Speed	1
8	AC201-904	Connector, Harness	1
9	AC401-203	Blower Assembly, 12 VDC	2
	AC401-204	Blower Assembly, 24 VDC	2
10	AC401-302	Louver Assembly, (2 Inch X 5-1/2 Inch)	5
11	N/A	Trim Strip, White (AC020-005-1)	1
12	AC801-412F25	Trim, Flexible, Black (25 Ft. Roll)	1

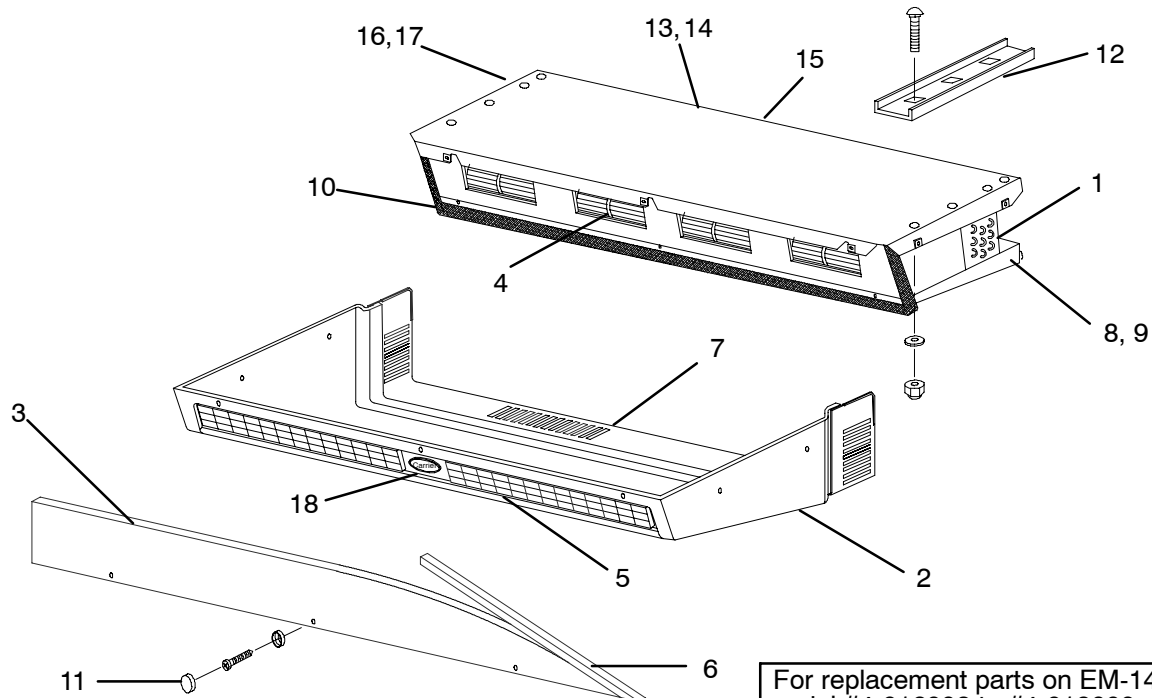
1.8.2 EVAPORATOR, EM-14, GEN 2, FREE BLOW



For replacement parts on EM-14 with serial #4-007001 to #4-016001

Item	Part Number	Description	Qty
1	AC021-218	Coil Assembly, R12	1
	AC021-202	Coil Assembly, R134a (TXV Not Included)	1
2	N/A	Cover, Assembly, Beige, (Standard) (AC021-059)	1
	N/A	Cover Assembly, White, (Optional) (AC021-060)	1
	N/A	Cover Assembly, Gray, (Optional) (AC021-076)	1
3	N/A	Trim Strip, White (AC020-005-1)	1
4	AC021-203	Grill, Air Inlet, Rear, (Black)	1
5	AC021-220	Drain Pan Assembly	1
6	N/A	Valve, Thermal Expansion, R12 (AC101-100)	1
	14-00301-03	Valve, Thermal Expansion, R134a	1
7	AC021-207	Bracket, TXV	1
8	AC801-202	O-Ring, 1/2 Inch, (R-12/R-134a)	2
9	AC401-203	Blower Assembly, 12 VDC	2
	AC401-204	Blower Assembly, 24 VDC	2
10	AC401-302	Louver Assembly, (2 Inch X 5-1/2 Inch)	5
11	AC801-412F25	Trim, Flexible, Black (25 Ft. Roll)	1
12	AC020-253	Snoot, EM-14, Black, (Optional)	1
13	AC801-419	Filter, Metal	1
14	AC701-107	Clip, Filter	2
15	AC021-208	Bracket, Heat Connections	1
16	AC201-501	Thermostat, Coil Insert, (Optional)	1
17	AC701-233	Clamp, Double, 5/8 Inch O.D. Tube	1

1.8.3 EVAPORATOR, EM-14, GEN 3, FREE BLOW

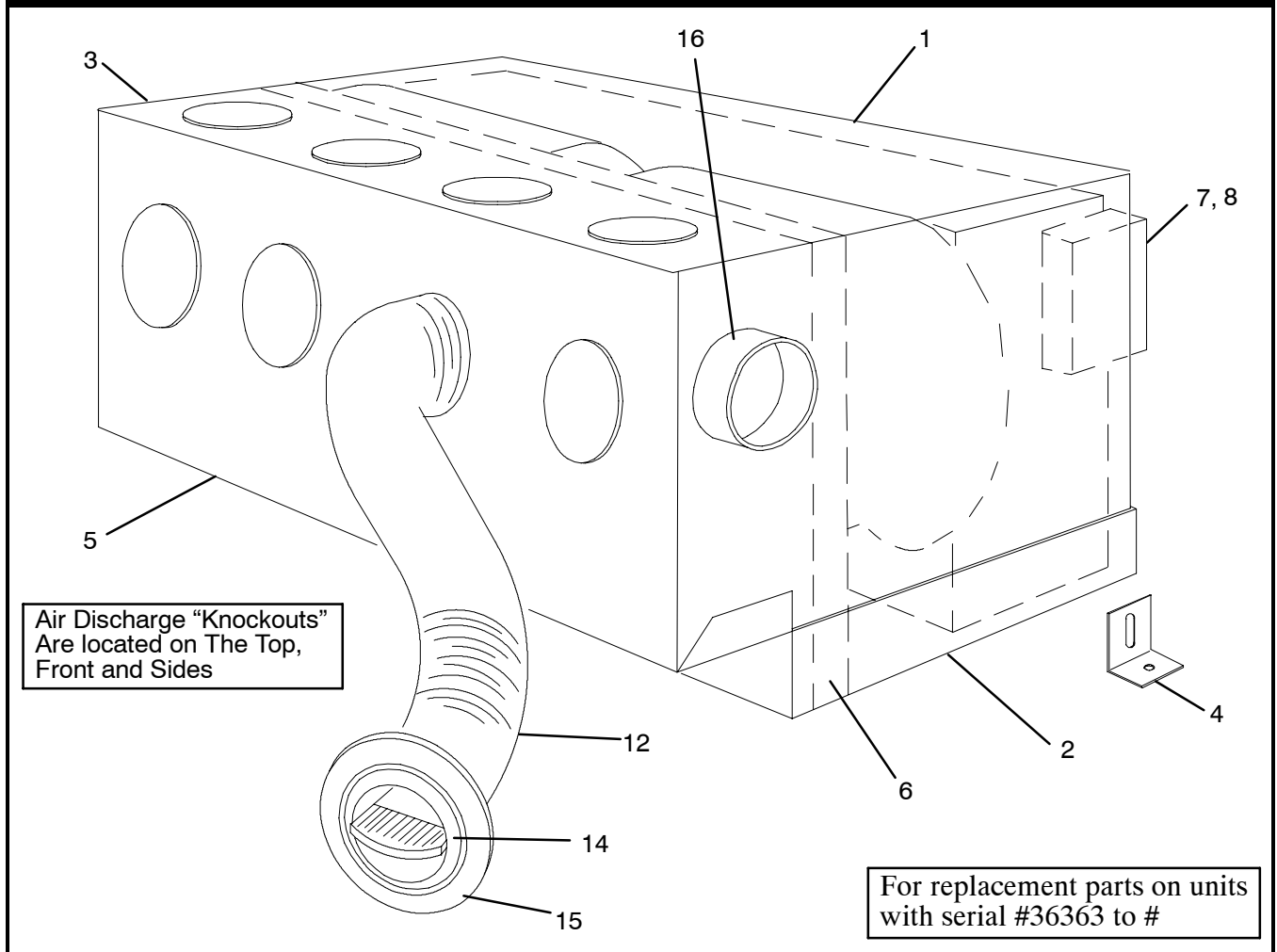


For replacement parts on EM-14 with serial #4-016002 to #4-019000

Item	Part Number	Description	Qty
1	AC022-338-S	Coil Assembly	1
	N/A	Coil Assembly, With Heat (AC022-475-S)	1
2	N/A	Cover Assembly, Beige (AC022-350-S)	1
	79-62070-00	Cover Assembly, White	1
	79-62070-01	Cover Assembly, Gray	1
3	68-62574-00	Trim Strip, Beige	1
	68-62579-01	Trim Strip, White/Gray	1
4	AC401-203	Blower Assembly, 12 VDC	2
	AC401-229	Blower Assembly, 24 VDC	2
5	AC401-320	Louver Assembly, (14-3/8 Inch X 3-3/8 Inch)	2
6	AC801-412F25	Trim, Flexible, Black (25 Ft. Roll)	1
7	AC022-254	Grill, Return Air, Painted	1
8	AC022-339	Drain Pan Assembly, (Foamed)	1
9	AC022-316	Baffel, Foam, EM-14 Drain Pan	1
10	AC801-403	Gasket, Foam, 1-1/4 Inch X 1-1/4 Inch X 25 Foot Roll	1
11	AC801-530	Cap, Snap, Beige	7
	AC801-531	Cap, Snap, White	7
	AC801-532	Cap, Snap, Gray	7
12	AC020-009	Channel, Mounting	2
13	AC201-501	Thermostat, Freeze-Up	1
14	AC022-326	Harness, Unit, EM-14, 12/24 VDC	1
15	AC801-454	Filter, Return Air, 35 X 7-1/4 Inches	1
16	14-00301-03	Valve, Thermal Expansion	1
17	AC801-202	O-Ring, 1/2 Inch	2
18	AC022-291	Emblem, Carrier, (1-3/4 Inch)	1
N/S	AC022-390	Snoot & Adapter Assembly (Optional)	1

SECTION 1.9 EM-20 EVAPORATORS

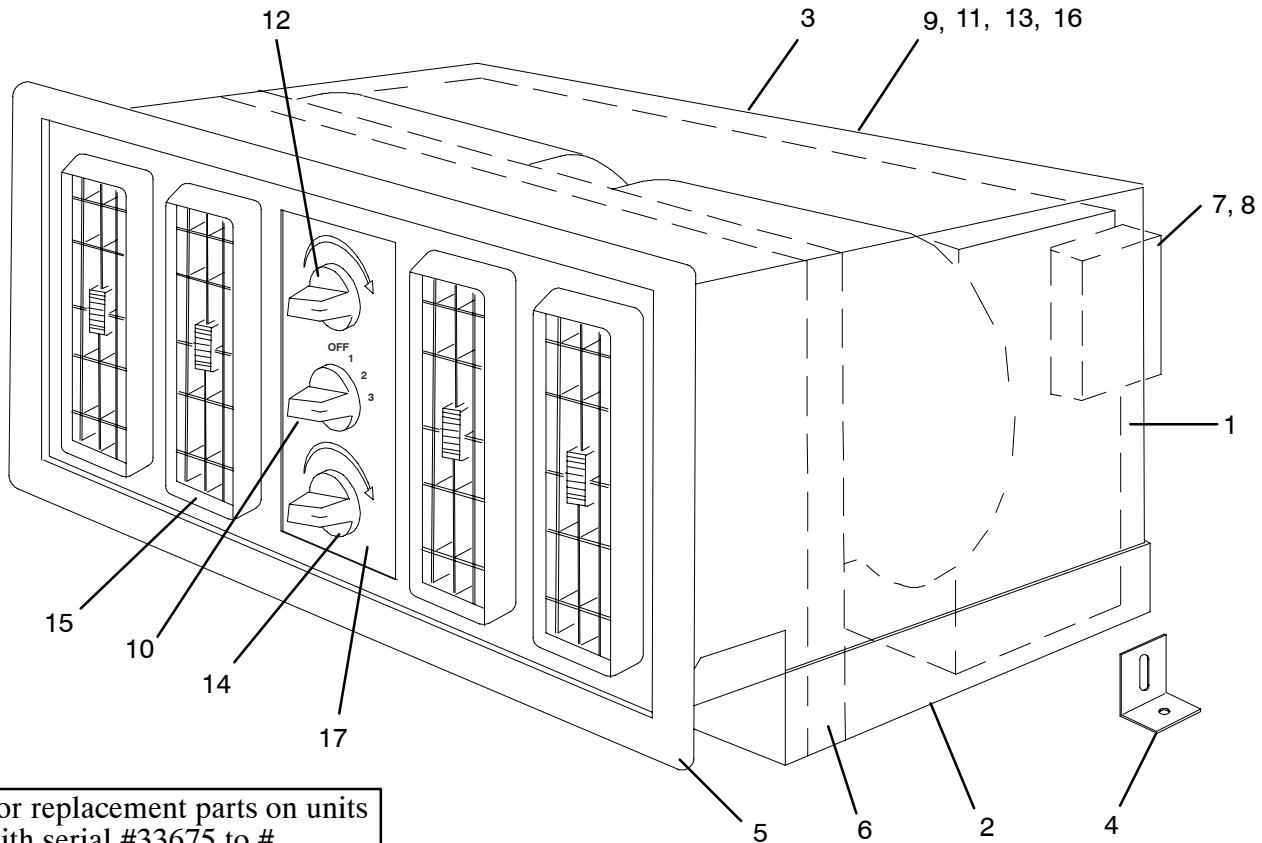
1.9.1 EVAPORATOR, EM-20, HEAT/COOL, DUCTED



Item	Part Number	Description	Qty
1	AC040-012	Coil Assembly, (TXV Not Included)	1
2	AC040-014	Weldment, Bottom Pan	1
3	AC040-015	Weldment, Cover	1
4	AC040-023	Angle, Mounting	2
5	AC040-024	Panel, Front	1
6	AC040-074	Blower Assembly, W/Mounting panel, 12 VDC	1
	AC040-075	Blower Assembly, W/Mounting panel, 24 VDC	1
7	AC040-076	Valve, Thermal Expansion, R12	1
	AC040-103	Valve, Thermal Expansion, R134a	1
8	AC801-202	O-Ring, 1/2 Inch, (R-12/R-134a)	2
9	AC101-402	Valve, Air Vent	1
10	AC201-501	Thermostat, Coil Insert, (Optional)	1
11	AC202-303	Knob, W/Snowflake, (Optional)	1
12	AC301-205	Hose, Flexible Duct 2-1/2 Inch Diameter X Foot	24
13	AC301-807	Nipple, 90°, (Heater Hose)	2
14	58-01386-00	Louver, Ball, 2 Inch, (Metalized)	4
15	AC401-306	Sleeve, Mounting, Round, 4 Inch Diameter	4
16	AC401-307	Adapter, Hose, 2-1/2 Inch	4

SECTION 1.10 EM-21 EVAPORATORS

1.10.1 EVAPORATOR, EM-21, HEAT/COOL, FREE BLOW OR DUCTED

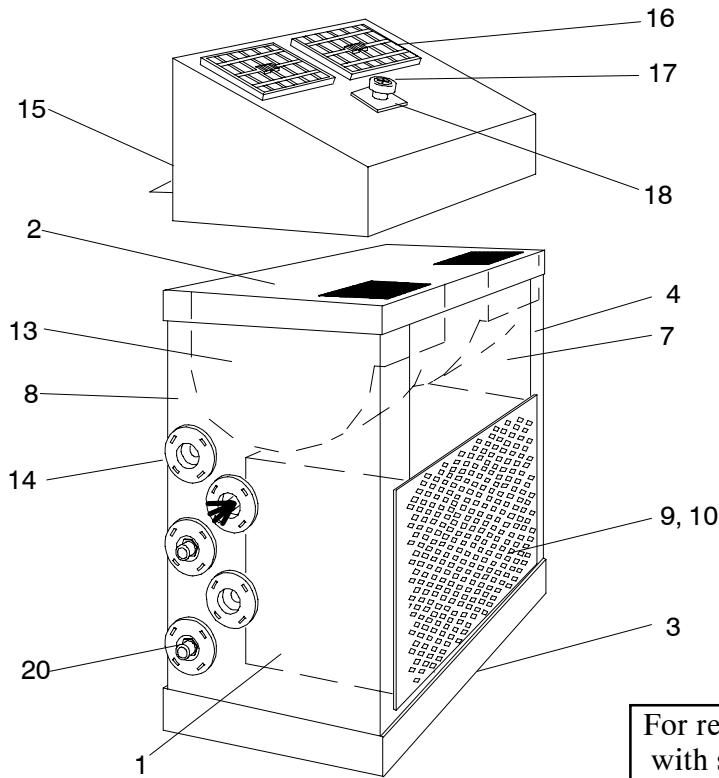


For replacement parts on units with serial #33675 to #

Item	Part Number	Description	Qty
1	AC040-095	Coil Assembly, R12	1
	AC040-012	Coil Assembly, R134a (TXV Not Included)	1
2	AC040-014	Weldment, Bottom Pan	1
3	AC040-015	Weldment, Cover	1
4	AC040-023	Angle, Mounting	2
5	AC040-013	Bezel, Front	1
6	AC040-074	Blower Assembly, W/Mounting panel, 12 VDC	1
	AC040-075	Blower Assembly, W/Mounting panel, 24 VDC	1
7	AC040-076	Valve, Thermal Expansion, R12	1
	AC040-103	Valve, Thermal Expansion, R134a	1
8	AC801-202	O-Ring, 1/2 Inch, (R12/R 134a)	2
9	AC101-402	Valve, Air Vent	1
10	AC201-305	Switch, Fan Speed	1
11	AC101-400	Valve, Heat	1
12	AC701-502	Control, Heater Valve	1
13	AC201-501	Thermostat, Coil Insert	1
14	AC202-304	Knob, Pointer	3
15	AC401-302	Grill, Rectangle	4
16	AC301-807	Nipple, 90°, (Heater Hose)	1
17	AC901-502	Panel, Switch, W/Nameplate	1

SECTION 1.11 EM-22 EVAPORATORS

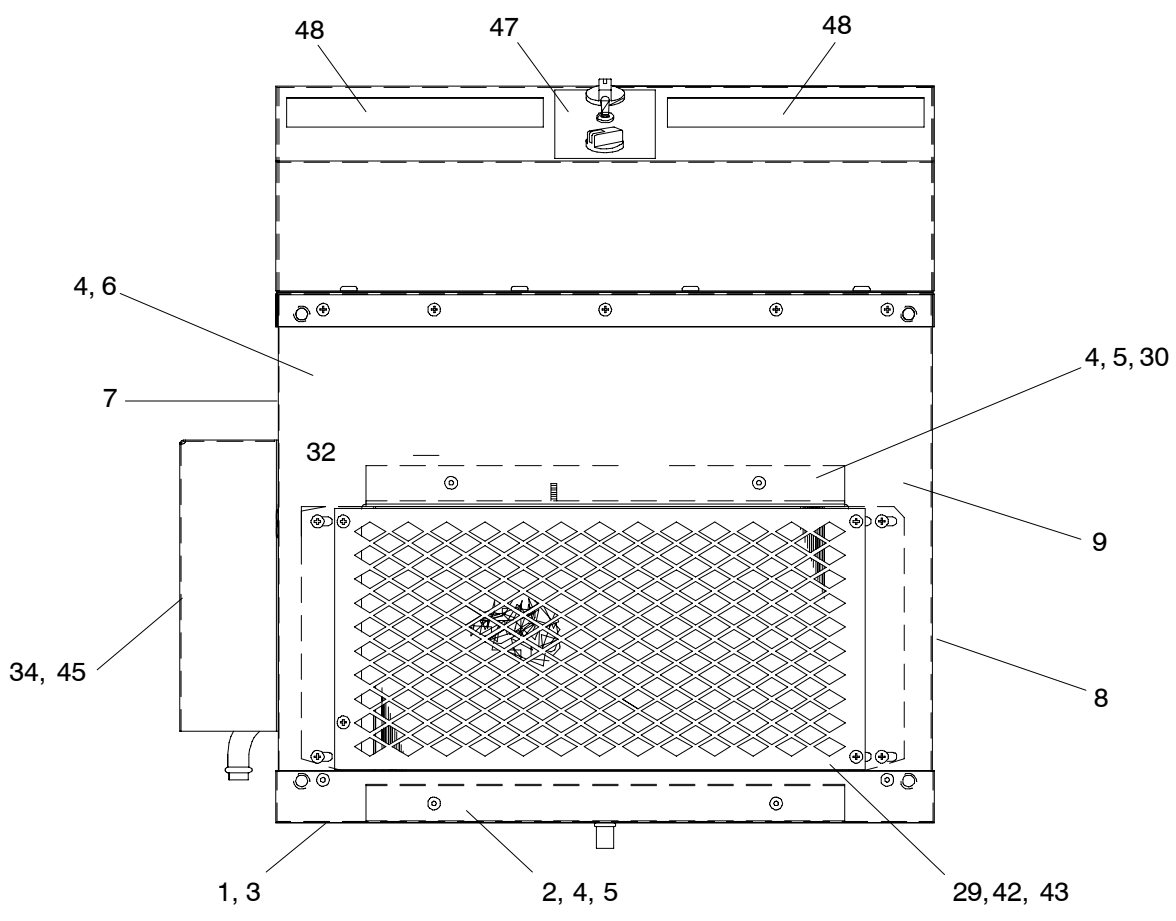
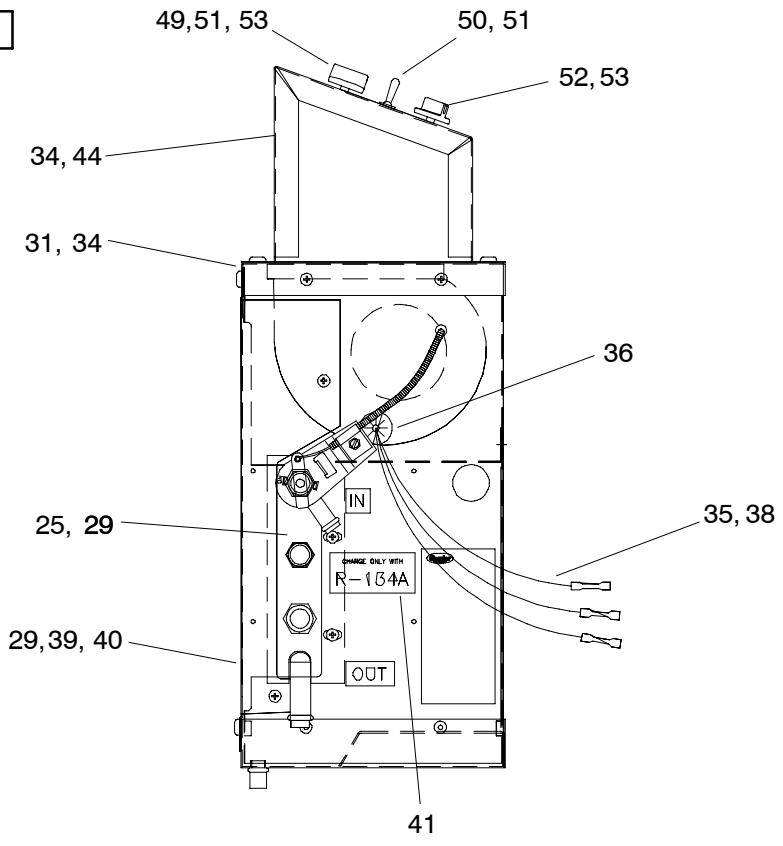
1.11.1 EVAPORATOR, EM-22, HEAT/COOL, FREE BLOW OR DUCTED



Item	Part Number	Description	Qty
1	AC040-094	Coil Assembly, R12	1
	AC040-110	Coil Assembly, R134a	1
2	AC040-041	Assembly, Top Panel	1
3	AC040-045	Assembly, Bottom Panel	1
4	AC040-046	Panel, Top Front	1
5	AC040-047	Panel, Top Rear	1
6	AC040-048	Panel, Bottom Rear	1
7	AC040-049	Panel, Right Side	1
8	AC040-050	Panel, Left Side	1
9	AC040-055	Assembly, Inlet Screen	1
10	38-00573-00	Filter, Air (.090 X 8.0 X 13.82 Inch)	
11	AC040-076	Valve, Thermal Expansion, R12	1
	AC040-103	Valve, Thermal Expansion, R134a	1
12	AC101-402	Valve, Air Vent	1
13	AC040-074	Blower Assembly, 12 VDC	1
	54-00546-03	Blower Assembly, 24 VDC	1
14	AC801-308	Grommet, Quick-Loc	5
15	AC040-080	Weldment, Plenum	1
16	AC401-308	Assembly, Louver, 3 Inch X 7 Inch, Black	2
17	AC202-300	Knob, Fan, (Optional)	1
18	AC202-301	Plate, Fan, (Optional)	1
19	AC301-610	Fitting, 90 Brass Elbow, 3/8 MPT X 3/8 FPT	2
20	AC301-808	Fitting, Straight, Heater, 3/8 MPT X 5/8 Inch Hose	2
21	AC801-202	O-Ring, 1/2 Inch, (R 12/R 134a)	2

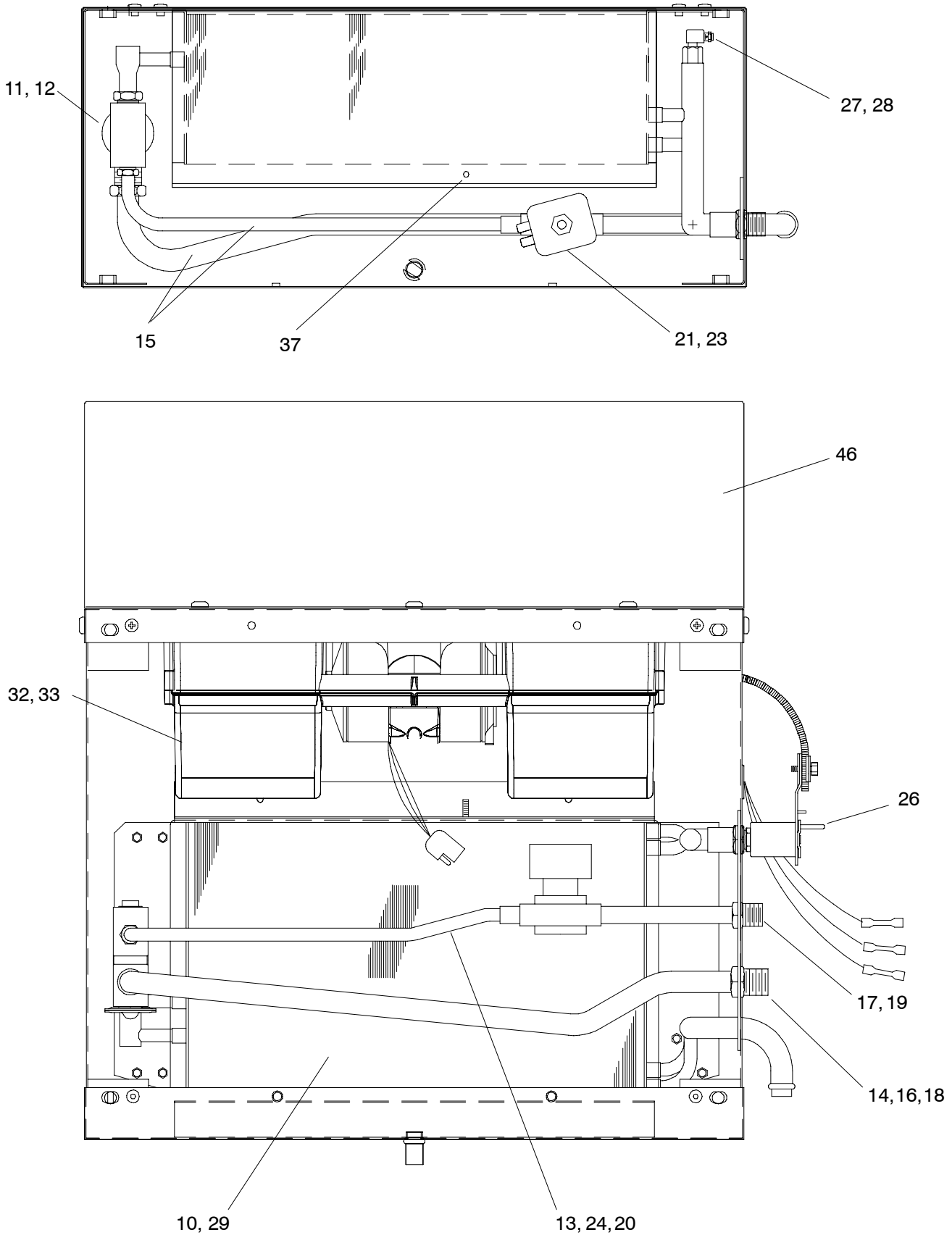
1.11.2 EVAPORATOR, EM-22, HEAT/COOL, (MODEL 77-62079-00 THRU -05)

12 VDC - AIR OUT TOP



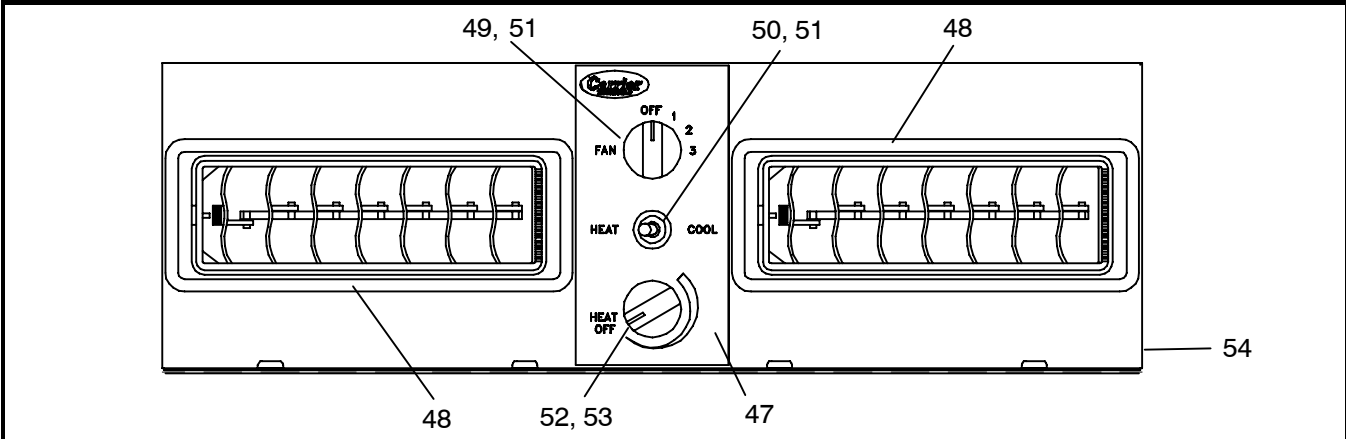
1.11.2 EVAPORATOR, EM-22, HEAT/COOL, (MODEL 77-62079-00 THRU -05) - Continued			
Item	Part Number	Description	Qty
1	68-62882-00	Drain Pan Assembly, Painted (-00, -01, -02)	1
	68-62887-00	Drain Pan Assembly, Painted (-03, -04, -05)	1
2	68-62883-00	Support, Coil	1
3	42-62078-00	Gasket, Drain Pan	1
4	34-00928-12	Rivet, Blind, .187 Dia., Grip Range: .063 -.125	10
5	42-62074-00	Gasket, Coil Support	2
6	68-62884-00	Panel Assembly, Wraparound, Painted	1
7	42-62072-00	Gasket, Road Side	1
8	42-62073-00	Gasket, Curb Side	1
9	42-62076-00	Gasket, Front	1
10	08-62033-00	Coil Assembly, Evaporator, EM-22	1
11	AC801-202	O-Ring, 1/2 Inch, HNBR	2
12	AC040-103	Valve, Expansion, TXV	1
13	AC801-201	O-Ring, 3/8 Inch, HNBR	1
14	AC801-203	O-Ring, 5/8 Inch, HNBR	1
15	81-04051-00	Tube Assembly, EM-22 (-00 & -01 Only) - Includes:	
16	56-62217-00	...Tube Assy, Suction, Bent, 5/8 OD X .040 Copper W/7/8-14 Swivel Nut	1
17	56-62216-00	...Tube Assy, Liquid, Bent, 3/8 OD X .028W Copper W/1/2-20 Swivel Nut	1
18	40-62032-02	...Fitting, Swivel Nut, 1/2 X 3/4-16 M.I.O.	1
19	40-62032-01	...Fitting, Swivel Nut, 5/8 X 7/8-14 M.I.O.	1
20	40-00090-04	...Fitting, Reducer, 1/2 ODM X 3/8 ODS	1
21	14-00150-14	...Valve, Solenoid, Liquid, 1/2 ODF Connections, Without Coil - Includes:	1
22	14-00150-50Repair Kit, Solenoid Valve	1
23	22-02567-00	...Coil, Solenoid Valve, 12 VDC	1
24	56-62215-00	...Tube, Liquid, Straight, 1/2 OD X .049W X 4.46 Inches Long, Copper	1
25	68-62904-00	...Plate Assembly, Tube Connector, Brass	1
26	40-62065-00	Valve, Coolant, Cable Operated	1
27	40-00060-01	Elbow, 90 Degree Street, 1/8 FTP X 1/8 MPT	1
28	AC101-402	Valve, Air Vent, Heat/Cool	1
29	34-50041-00	Screw, Pan Head, W/Ext. Tooth Lock Washer, Phillips, #10-32 X 1/2	18
30	68-63157-00	Panel Assembly, Air Block	1
31	68-62885-00	Panel Assembly, Top, Painted	1
32	AC040-074	Blower Assembly, 12 VDC	1
	54-00546-03	Blower Assembly, 24 VDC	1
33	34-50057-00	Screw, Phillips, W/Internal Tooth Lock Washer, #8-32 X 5/16 inch Long	5
34	34-62046-00	Screw, Pan Head Phillips, #10 AB X 5/8 Inch Long	22
35	22-62142-00	Harness Assembly, Electrical (-00, -01, -03)	1
36	AC801-300	Bushing, Universal, 1 Inch	1
37	34-00733-05	Nut, Hex, Lock (KEPS), #8-32	1
38	66U1-3882	Wire Tie, Self-Locking, 7.0 Inches, Black	2
39	68-62886-00	Panel Assembly, Rear, Painted	1
40	42-62077-00	Gasket, Rear Panel	1
41	62-62039-00	Label, CHARGE ONLY WITH R-134a	1
42	AC022-313	Baffel, Foam, Drain Pan	1
43	AC040-055P	Screen, Air Inlet, Painted	1
44	86-62241-00	Plenum Assembly, Air Out, Top	1
45	68-63210-00	Panel Assembly, Protective, Painted	1

1.11.2 EVAPORATOR, EM-22, HEAT/COOL, (MODEL 77-62079-00 THRU -05) - Continued



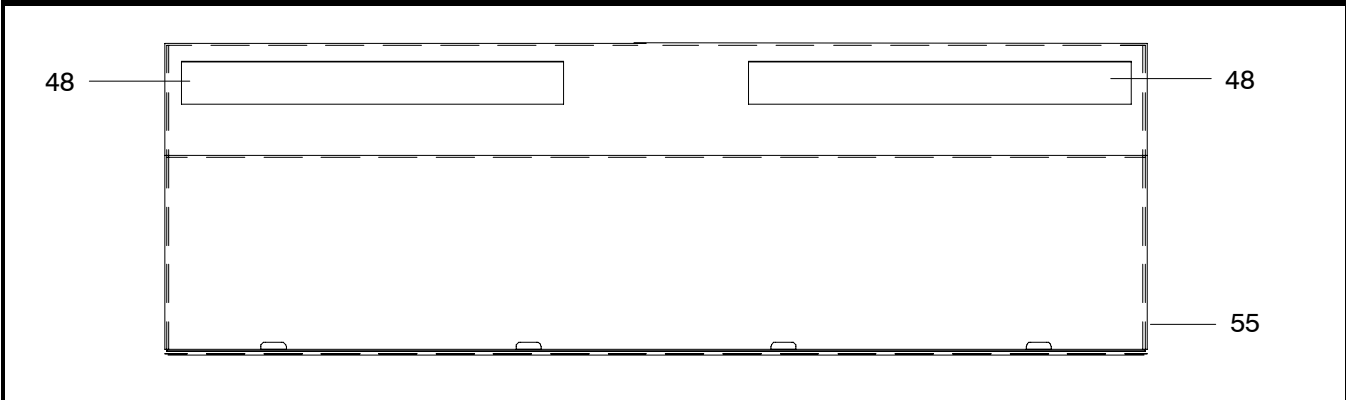
1.11.3 EVAPORATOR, EM-22, HEAT/COOL, PLENUM ASSEMBLY, (MODEL 77-62079-00)			
46	86-62241-00	Plenum Assembly, Air Out, Top	1
47	62-62032-00	Label, Fan & Heat Controls	1
48	58-62042-00	Louver Assembly, Air Outlet, Adjustable, Rectangular (8.0 X 3.0 Inches)	2
49	AC201-305	Switch, Fan Speed, Rotary, W/O Nut	1
50	AC201-304	Switch, Toggle, ON/OFF, SPDT	1
51	AC202-307	Nut, Hex, Fan Speed Switch	3
52	AC701-502	Control, Heater Valve	1
53	AC202-304	Knob, Indicator, Black W/White Line	2

1.11.4 EVAPORATOR, EM-22, HEAT/COOL, PLENUM ASSEMBLY, (MODEL 77-62079-01)



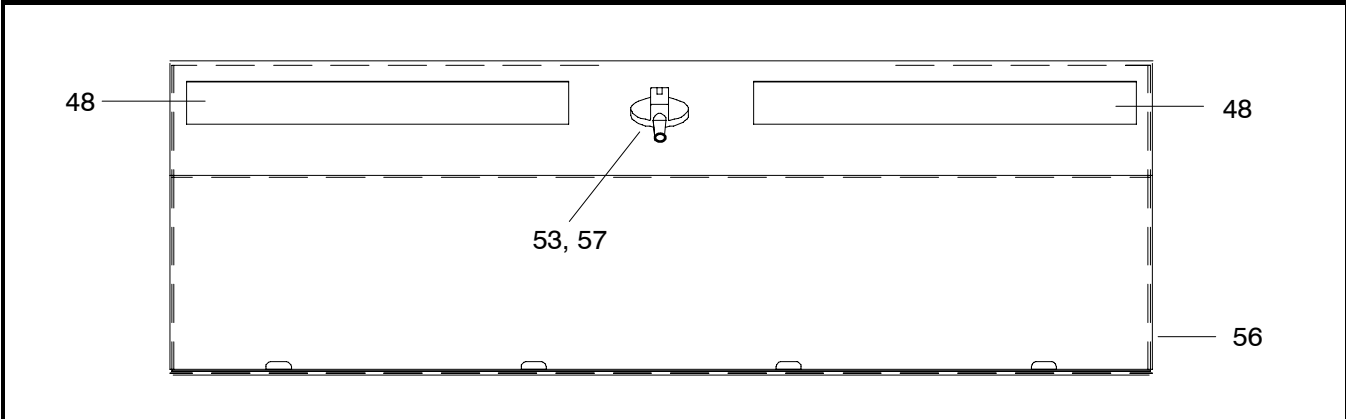
54	86-62239-00	Plenum Assembly, Air Out, Front	1
----	-------------	---------------------------------	---

1.11.5 EVAPORATOR, EM-22, HEAT/COOL, PLENUM ASSEMBLY, (MODEL 77-62079-02)



55	86-62242-00	Plenum Assembly, Air Out Top, Dash Controls	1
----	-------------	---	---

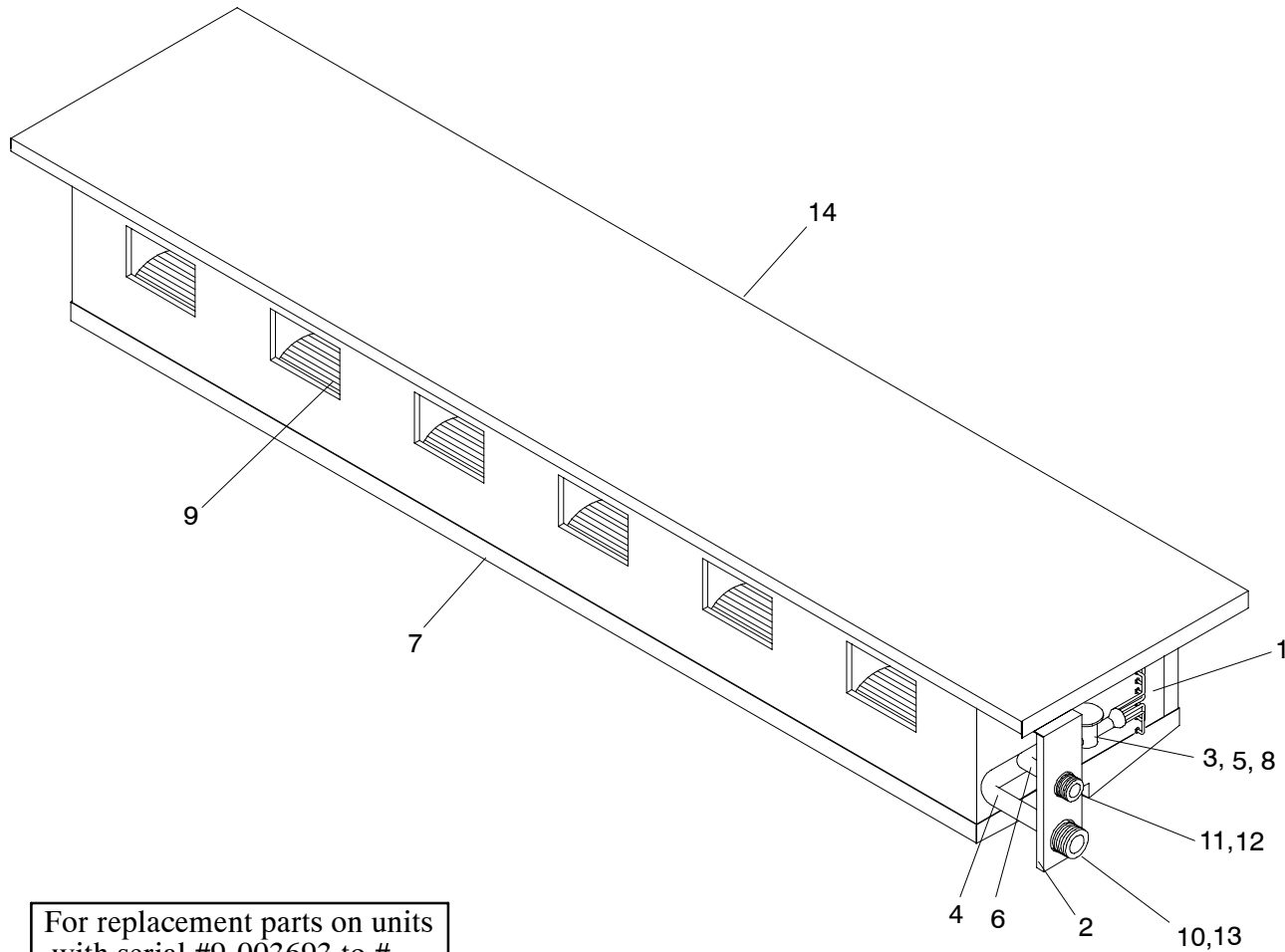
1.11.6 EVAPORATOR, EM-22, HEAT/COOL, PLENUM ASSEMBLY, (MODEL 77-62079-03)



56	86-62220-00	Plenum Assembly, Air Out Top, Fan Speed Only	1
57	AC202-302	Switch Plate, Fans	1

SECTION 1.12 EM-30 EVAPORATORS

1.12.1 EVAPORATOR, EM-30



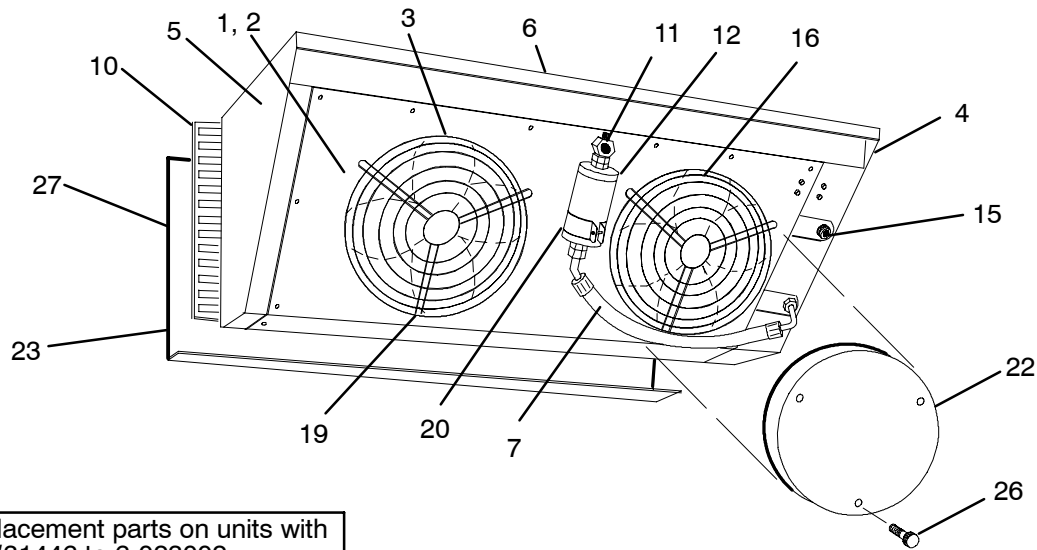
For replacement parts on units with serial #9-003693 to #

Item	Part Number	Description	Qty
1	AC021-283	Coil Assembly	1
2	AC021-298	Plate, Fitting	1
3	AC021-299	Angle, TXV Bracket	1
4	AC021-300	Tube, Coil To Fitting	1
5	AC021-301	Tube, Equalizer	1
6	AC021-302	Tube, Liquid TXV To Fitting	1
7	AC021-311	Assembly, Drain Pan	1
8	AC101-108	Valve, Thermal Expansion	1
9	AC040-074	Blower Assembly, 12 VDC	3
	54-00546-03	Blower Assembly, 24 VDC	3
10	40-00491-00	Fitting, Suction, ORS	1
11	40-00491-09	Fitting, Liquid, ORS	1
12	42-00243-00	O-Ring, Liquid	1
13	42-00243-03	O-Ring, Suction	1
14	AC021-306	Harness Assembly, EM-30 Housing	1

SECTION 2 - CONDENSERS

SECTION 2.1 CM-2 CONDENSERS

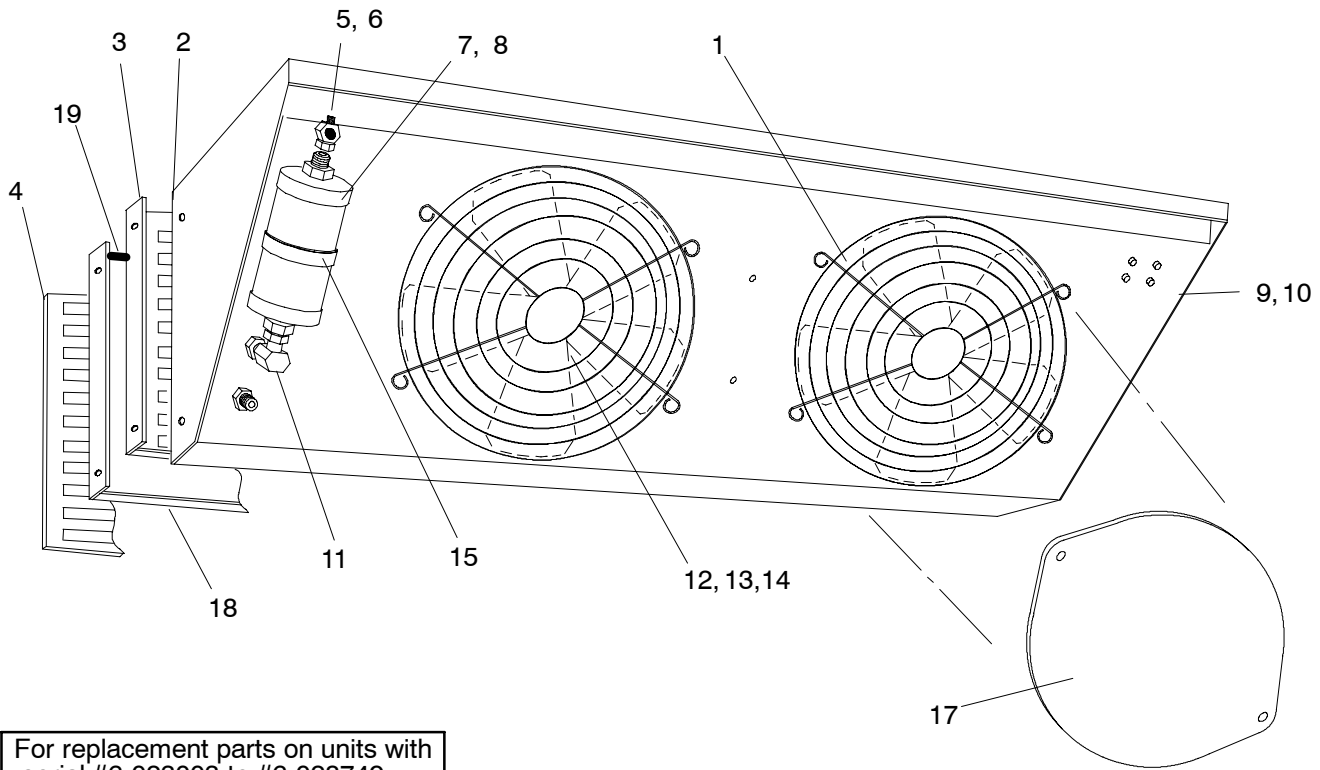
2.1.1 CONDENSER, CM-2, GEN 1 AND GEN 2



For replacement parts on units with serial #31446 to 6-023002

Item	Part Number	Description	Qty
1	AC030-003P	Panel, Venturi	1
2	AC030-004P	Baffle	1
3	AC030-006	Guard, Fan, (Wire Formed)	2
4	AC030-152P	Side, Left, Painted, (CM-2/3)	1
5	AC030-153P	Side, Right, Painted, (CM-2/3)	1
6	AC030-160P	Weldment, Top Panel, Painted	1
7	AC030-072	Hose Assembly	1
8	AC030-080	Coil Assembly, With Pressure Switches, (32 X 12 x 3 Inches)	1
9	AC030-147P	Grill, Condenser	1
10	AC033-136	Grill, Bus Skirt, (Optional)	1
11	AC101-200	Sightglass Indicator, 1/2 Inch Male Fl. x 1/2 Inch Female Fl. - Includes:	1
11A	P806-B2-8	...Gasket, Flare, 1/2 SAE, Copper	1
12	AC101-303	Filter Drier. 16 Cubic Inch	1
13	AC201-400	Switch, Pressure, High	1
14	AC201-404	Switch, Pressure, Low	1
15	AC301-601	Fitting, Nut, 1/2 Inch Male O-Ring, (Brass)	2
16	AC401-100	Fan Blade	2
17	AC501-102A	Motor, Condenser, 12VDC	2
	AC501-103A	Motor, Condenser, 24VDC	2
18	AC030-005	Mount, Motor, (Wire Formed)	2
19	AC701-105	Nut, Nylon	6
20	AC701-208	Clamp, Filter Drier, With Bolt	1
21	AC010-112	Kit, Winterization, Consisting Of:	1
22	AC030-075Cover, Fan	2
23	AC030-076PCover, Coil	1
24	AC701-106Clip, Tinnerman, (1/4-20)	6
25	AC801-305Washer, Nylon,	6
26	AC801-307Screw, Nylon, 1/4-20 Knurled Head	6
27	AC801-412F25Gasket, Trim Seal, Black (25 Ft. Roll)	1

2.1.2 CONDENSER, CM-2, GEN 3

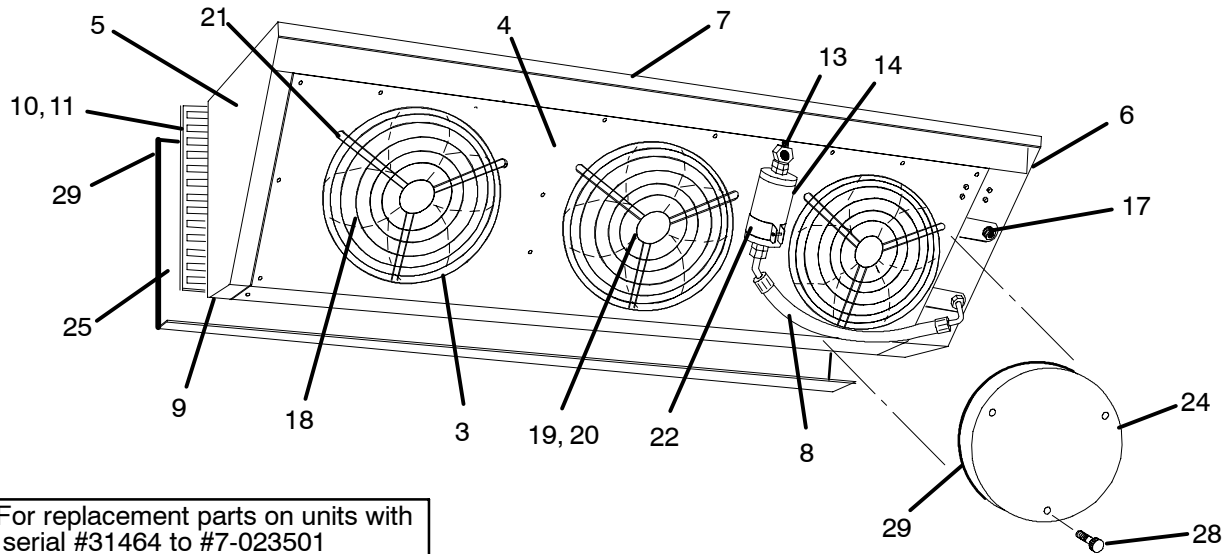


For replacement parts on units with serial #6-023003 to #6-028749

Item	Part Number	Description	Qty
1	AC030-234	Guard, Fan (Not used with 54-00618-01 Assembly)	2
2	AC033-119S	Coil Assembly, With Pressure Switches, (32 X 10 x 2-1/2 Inches)	1
3	AC033-134	Grill, Condenser Mounted	1
4	AC033-136	Grill, Bus Skirt Mounted	1
5	AC101-202	Sightglass, Bullseye Type, 7/8-14 Thread	1
6	AC801-221	O-Ring, Sightglass, (Use With AC101-202)	1
7	AC101-312	Filter Drier, 16 Cubic Inch, 1/2 Inch Male Flare-O	1
8	AC801-220	O-Ring, 1/2 Inch	1
9	AC201-414	Switch, High Pressure	1
10	AC201-412	Switch, Low Pressure	1
11	AC301-441	Fitting, Swivel Union, 1/2 Inch Female Flare X 1/2 Inch Female Flare	1
12	54-00618-01	Fan & Motor Assembly, Vector, 12 Volt W/Fuse, 11 In. (No Replacement Motor)	2
	AC401-110	Fan & Motor Assembly, 12 VDC - Includes:	2
	54-50080-00	...Motor, Fan, 12 VDC	1
	44-50024-00	...Clip, Fan Blade	1
13	AC033-128	Harness, Condenser, CM-2	1
14	CM205-197	Fan Assembly, 24 VDC	2
15	AC701-269	Clamp, Worm Gear, (Filter Drier)	1
16	AC033-146	Kit, Winterization, Consisting Of:	1
17	AC033-145Cover, Fan	2
18	AC033-142Cover, Coil	1
19	AC801-412F25Gasket, Trim Seal, Black (25 Ft. Roll)	1

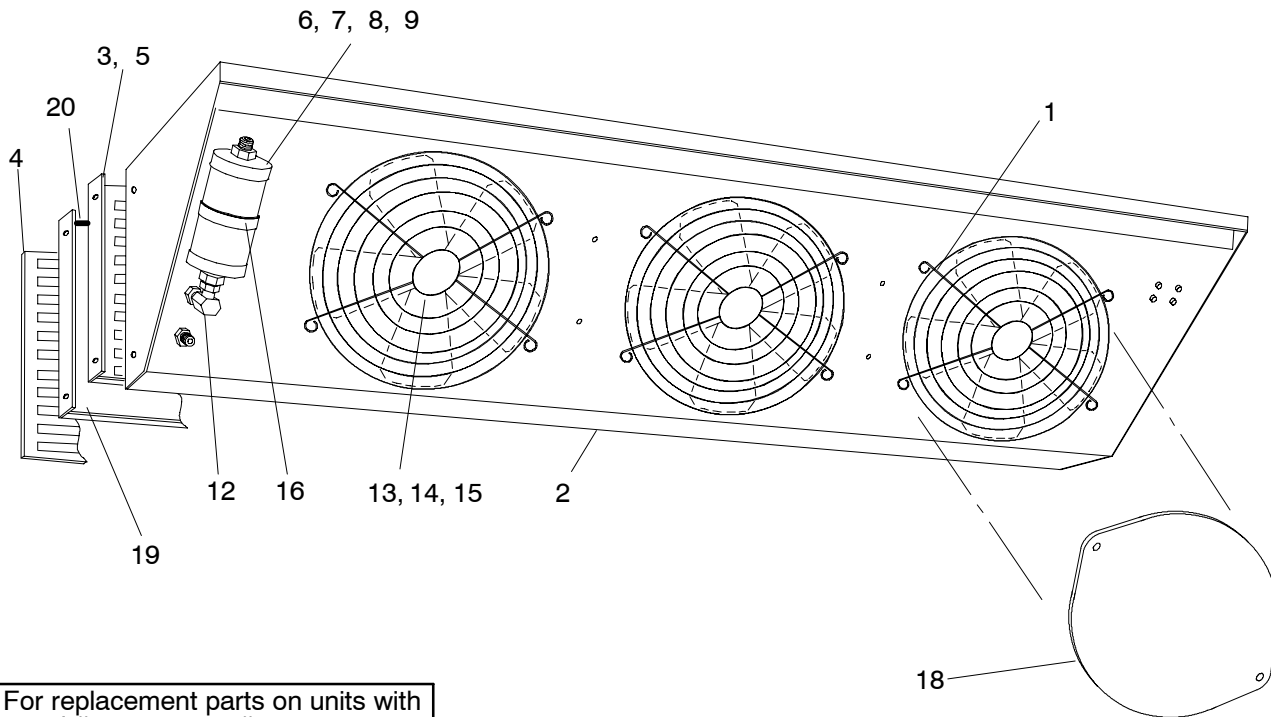
SECTION 2.2 CM-3 CONDENSERS

2.2.1 CONDENSER, CM-3, GEN 1 & GEN 2



Item	Part Number	Description	Qty
1	AC030-004P	Baffle	2
2	AC030-005	Mount, Motor, (Wire Formed)	3
3	AC030-006	Guard, Fan, (Wire Formed)	3
4	AC030-017	Panel, Venturi	1
5	AC030-152P	Side, Left, Painted, (CM-2/3)	1
6	AC030-153P	Side, right, Painted, (CM-2/3)	1
7	AC030-151P	Weldment, Top Panel, Painted	1
8	AC030-073	Assembly, Hose	1
9	AC030-013	Coil Assembly (No Pressure Switches)	1
10	AC030-122P	Grill, Condenser	1
11	AC030-019	Screen, Condenser, CM-3	1
12	AC030-217P	Grill, Bus Skirt, (Optional)	1
13	AC101-200	Sightglass Indicator, 1/2 Inch Male Fl. x 1/2 Inch Female Fl. - Includes:	1
13A	P806-B2-8Gasket, Flare, 1/2 SAE, Copper	1
14	AC101-303	Filter Drier. 16 Cubic Inch	1
15	AC201-400	Switch, Pressure, High	1
16	AC201-404	Switch, Pressure, Low	1
17	AC301-601	Fitting, Nut, 1/2 Inch Male O-Ring, (Brass)	2
18	AC401-100	Blade, Fan	3
19	AC501-102A	Motor, Condenser, 12VDC	3
	AC501-103A	Motor, Condenser, 24VDC	3
20	AC201-905	Harness, Condenser Motor	3
21	AC701-105	Nut, Nylon	9
22	AC701-208	Clamp, Filter Drier, With Bolt	1
23	AC010-113	Kit, Winterization, Consisting Of:	1
24	AC030-075Cover, Fan	3
25	NSSCover, Coil	1
26	AC701-106Clip, Tinnerman, (1/4-20)	9
27	AC801-305Washer, Nylon,	9
28	AC801-307Screw, Nylon, 1/4-20 Knurled Head	9
29	AC801-412F25Gasket, Trim Seal, Black (25 Ft. Roll)	1

2.2.2 CONDENSER, CM-3, GEN 3

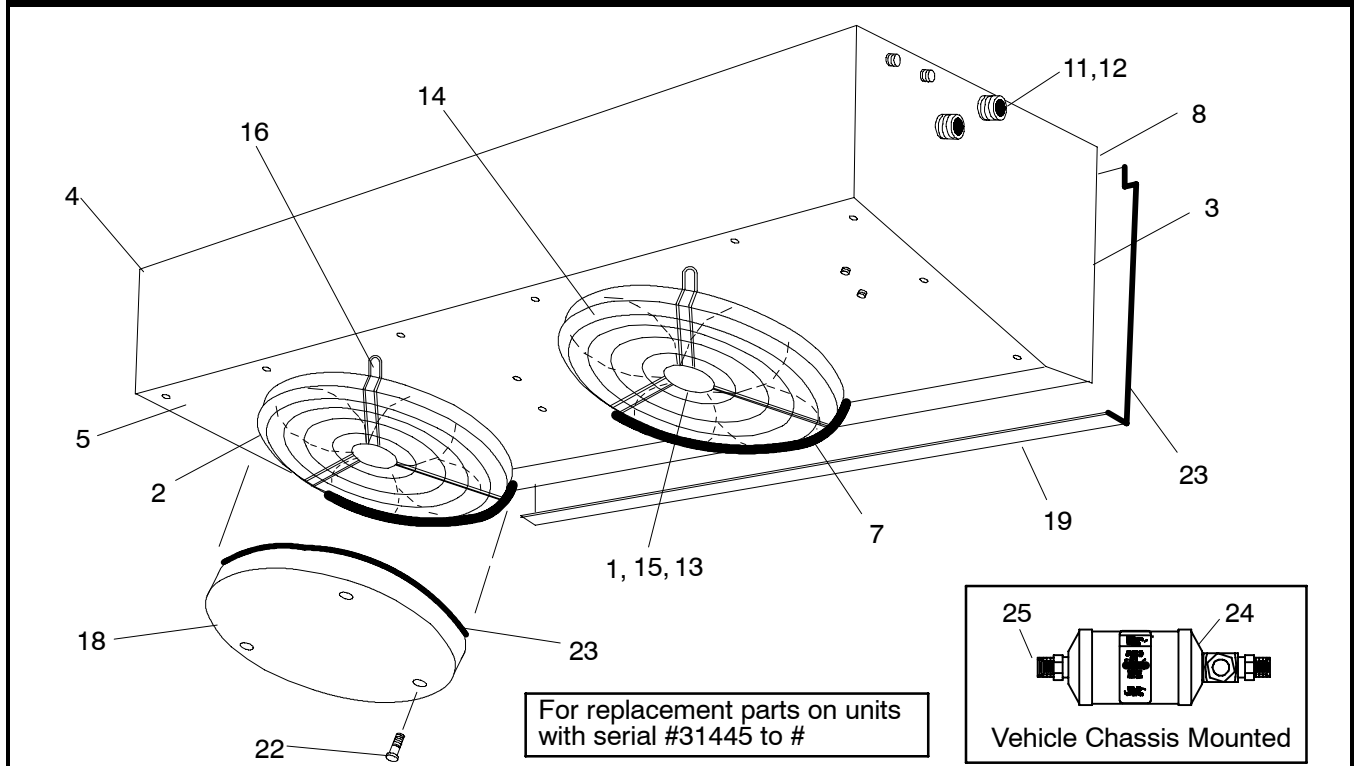


For replacement parts on units with serial #7-023502 to #7-028399

Item	Part Number	Description	Qty
1	AC030-234	Guard, Fan (Not Used With 54-00618-01)	3
2	AC033-120S	Coil Assembly, With Pressure Switch, (44.25 X 10 x 2-1/2 Inches)	1
3	68-15461-00	Grill, Condenser Mounted, Black	1
4	AC033-135	Grill, Bus Skirt Mounted	1
5	AC033-144	Assembly, Tab, (Used with Condenser Mounted Grill)	1
6	AC101-202	Sightglass, Bullseye Type, 7/8-14 Thread	1
7	AC101-312	Filter Drier, 16 Cubic Inch, 1/2 Inch Male Flare-O	1
8	AC801-220	O-Ring, 1/2 Inch MF-O	1
9	AC801-221	O-Ring, Sightglass, (Use With AC101-202)	1
10	AC201-414	Switch, High Pressure	1
11	AC201-412	Switch, Low Pressure	1
12	AC301-441	Fitting, Swivel Union, 1/2 Inch Female Flare X 1/2 Inch Female Flare	1
13	54-00618-01	Fan & Motor Assembly, Vector, 12 V W/Fuse, 11 In. (No Replacement Motor)	1
	AC401-110	Assembly, Fan, 12 VDC - Includes:	3
	54-50080-00	...Motor, Fan, 12 VDC	1
	44-50024-00	...Clip, Fan Blade	1
14	CM205-197	Assembly, Fan, 24 VDC	3
15	AC033-127	Harness, Condenser, CM-3	1
16	AC701-269	Clamp, Worm Gear, (Filter Drier)	1
17	AC033-147	Kit, Winterization, Consisting Of:	1
18	AC033-145Cover, Fan, (Winterguard)	3
19	AC033-143Cover, Coil, (Winterguard)	1
20	AC801-412F25Gasket, Trim Seal, Black (25 Ft. Roll)	1

SECTION 2.3 CM-4 CONDENSER

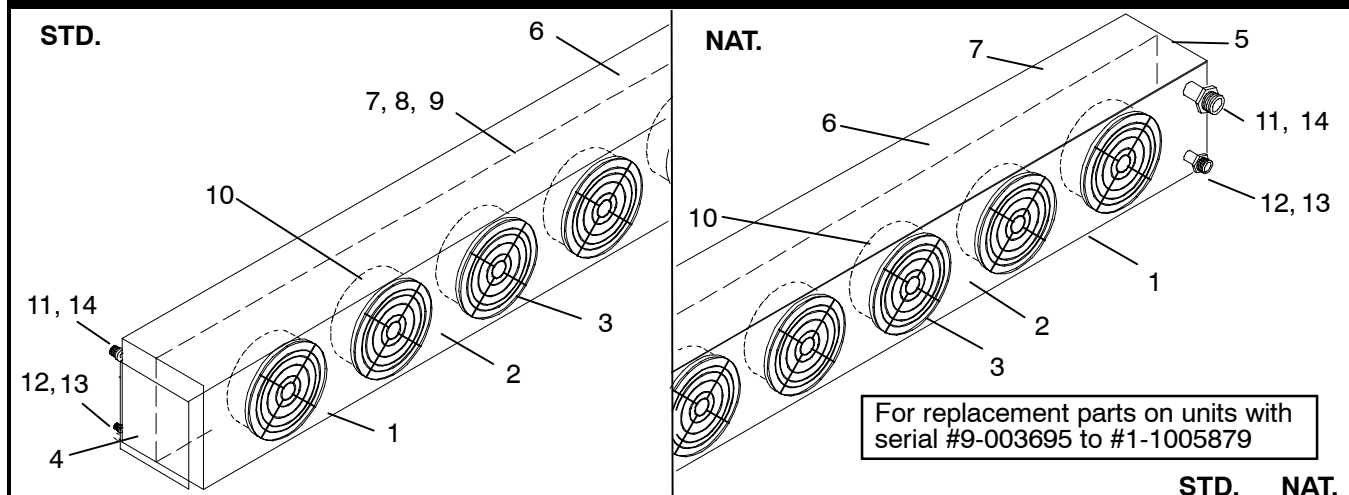
2.3.1 CONDENSER, CM-4



Item	Part Number	Description	Qty
1	AC030-005	Mount, Motor, Wire Formed	2
2	AC030-006	Guard, Fan, Wire Formed	2
3	AC030-018	Screen, Condenser	1
4	AC030-026	Wrapper, Condenser	1
5	AC030-027	Panel, Venturi	1
6	AC030-028	Baffle	1
7	AC030-032	Ring, Air Deflector	2
8	AC030-082	Coil Assembly, With Pressure Switches, (35 X 8 X 3 Inches)	1
9	AC201-400	Switch, Pressure, High	1
10	AC201-404	Switch, Pressure, Low	1
11	AC301-601	Fitting, Nut, 1/2 Inch M.I.O-Ring, (Brass)	2
12	AC801-202	O-Ring, 1/2 Inch, HNBR	2
13	AC201-905	Harness, Motor	2
14	AC401-100	Blade, Fan	2
15	AC501-102A	Motor, Condenser, 12 VDC	2
	AC501-103A	Motor, Condenser, 24 VDC	2
16	AC701-105	Nut, Nylon	6
17	AC010-114	Kit, Winterization, Consisting Of:	1
18	AC030-075Cover, Fan	2
19	AC030-078Cover, Coil	1
20	AC701-106Clip, Tinnerman, 1/4-20	6
21	AC801-305Washer, Nylon	6
22	AC801-307Screw, Nylon, 1/4-20 Knured Heads	6
23	AC801-412F25Gasket, Trim Seal, Black (25 Ft. Roll)	1
24	14-00288-00	Filter Drier/Sight Glass, 1/2 Inch Male O-Ring	1
25	AC801-202	O-Ring, 1/2 Inch HNBR	2

SECTION 2.4 CM-5 CONDENSER

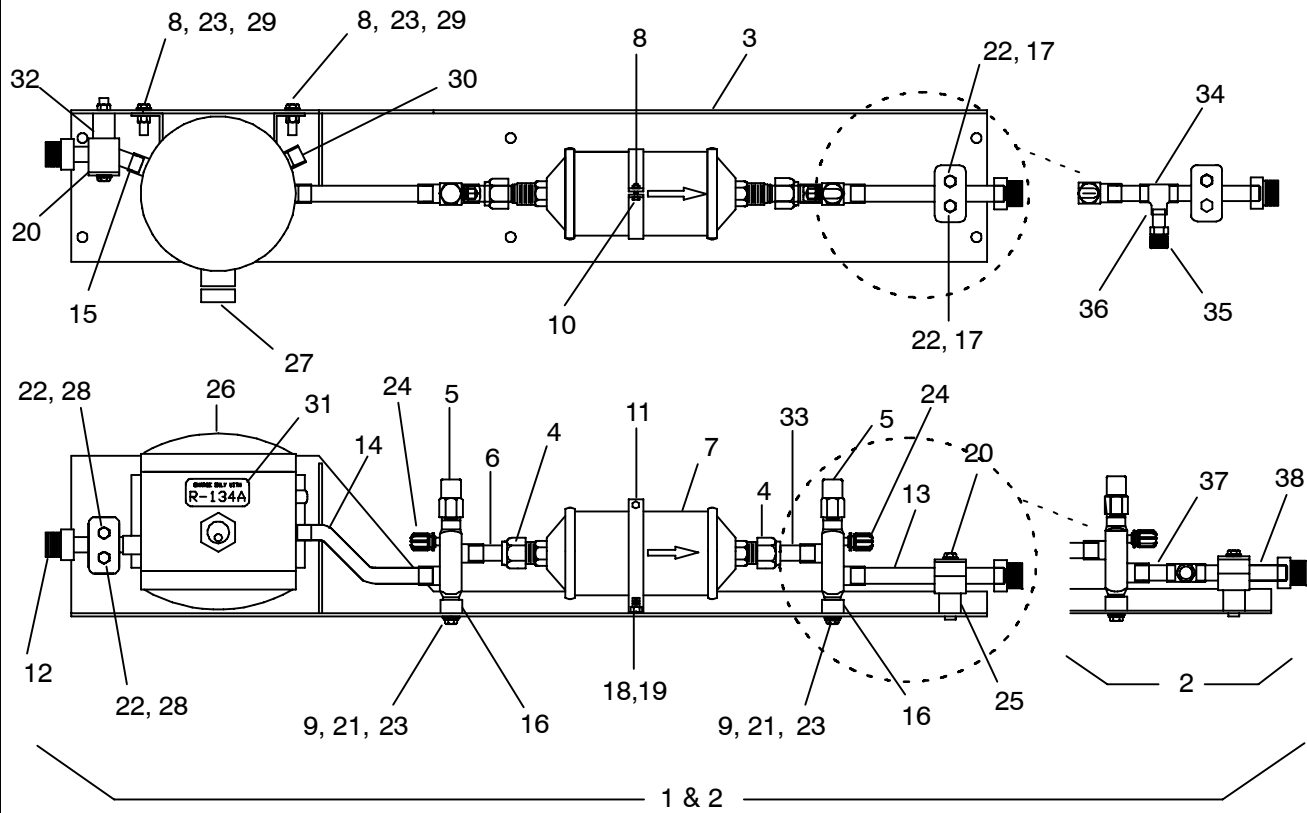
2.4.1 CONDENSER, CM-5



Item	Part Number	Description	STD. Qty	NAT. Qty
N/S	AC030-231	Baffle	4	3
N/S	AC030-335	Baffel, Solenoid Mount	NA	1
1	AC030-232P	Panel, Bottom	1	1
2	AC030-233P	Panel, Front	1	NA
	AC030-333P	Panel, Front, (NAT)	NA	1
3	AC030-234	Guard, Fan	5	5
4	AC030-235	Panel, Left Side	1	NA
	AC030-334	Panel, Left Side, (NATI)	NA	1
5	AC030-236	Panel, Right Side	1	NA
	AC030-332	Panel, Right Side, (NAT)	NA	1
6	AC030-237	Panel, Top	1	1
N/S	AC030-240	Bracket, Discharge Tube	1	NA
	AC030-337	Bracket, Discharge Tube, (NAT)	NA	1
7	AC030-340	Coil Assembly	NA	1
	81-62062-00	Coil Assembly - Includes:	1	NA
8	08-62005-00	...Coil	1	NA
9	14-00029-07	...Check Valve	1	NA
N/S	AC030-247	Bracket, Liquid Tube	1	NA
	AC030-336	Bracket, Liquid Tube, (NAT)	NA	1
N/S	22-02336-06	Fuse, 15 AMP	5	5
N/S	22-50078-23	Cover, Fuse	5	5
N/S	22-50078-22	Holder, Fuse	5	5
N/S	22-50078-49L	Terminal, Fuse	10	10
10	AC030-313	Assembly, Fan, 12 VDC	5	NA
	AC030-314	Assembly, Fan, 24 VDC	5	NA
	AC030-315	Assembly, Fan, 24 VDC, (2-Speeds)	5	5
N/S	10-00300-00	Solenoid, (Normally Open)	NA	1
N/S	12-00299-11	Switch, Pressure-CFS/R134a	NA	1
N/S	12-01132-00	Switch, Temperature (LATH)	1	NA
11	40-00491-00	Fitting, ORS, (Discharge)	1	1

2.4.1 CONDENSER, CM-5 - Continued:				
Item	Part Number	Description	Qty	Qty
12	40-00491-09	Fitting, ORS, (Liquid)	1	1
N/S	AC201-615	Resistor, .25 OHM, With Mounting Brackets	N/A	1
13	42-00243-00	O-Ring, ORS, #16	1	1
14	42-00243-03	O-Ring, ORS, #10	1	1

2.4.2 LIQUID LINE ASSEMBLY, CM-5, CM-14, & C4RE, (REMOTE)



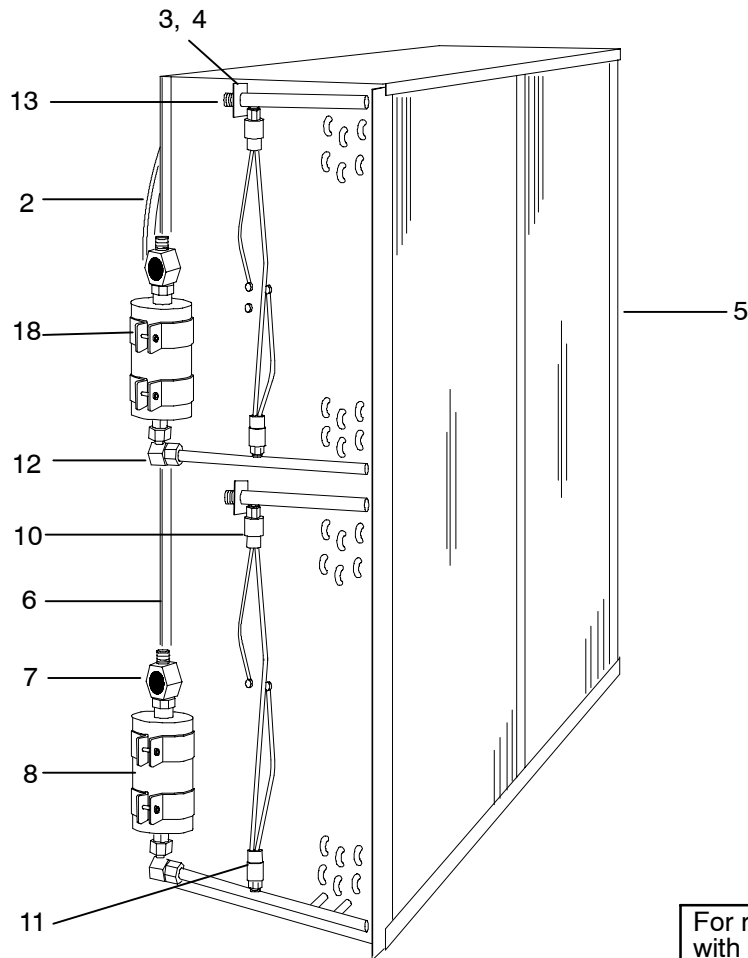
Item	Part Number	Description	Qty
1	81-62003-00	Liquid Line Assembly (Used With CM-5 & CM-14)	1
2	81-62003-01	Liquid Line Assembly (Used With C4RE Only)	1
3	86-62024-00	Bracket Assembly Painted	1
4	40-00097-10	Nut, Flare, 5/8 Short	2
5	40-00501-05	Valve, King	2
6	68RT10-1462	Tube, Flared, 5/8 OD X .040W Copper	1
7	14-00200-00	Filter Drier, 41 Cubic Inch	1
8	34-00666-12	Nut, Lock, 5/16-18	5
9	34-00368-12	Washer, Lock, 5/16 Spring, Plated	2
10	34-00792-12	Bolt, Machine, Hex Head, 5/16-18 X 1-1/2 Inch Long, SST	1
11	AC701-243	Clamp, Conduit, 3 Inch, SST	1
12	40-00491-09	Fitting, 5/8 ODF x 1.00 ORS	2
13	56-00143-36	Tube, Copper, 5/8 OD X .040W (Used With Item #1 Only)	1
14	56-62010-00	Tube, Copper, 5/8 OD X .040W	1
15	56-62011-00	Tube, Copper, 5/8 OD X .040W	1
16	AC601-609	Spacer, 7/8 X 1/2 X 9/16 Inch	2
17	34-00655-22	Bolt, Machine, Hex Head, 1/4-20 X 2-3/4 Inch Long	2
18	34-00361-11	Nut, Lock, 1/4-20 ESNA	1
19	34-06212-12	Washer, Flat, 1/4 Inch, SST	1
20	44-00285-82	Clamp, Tube, 5/8 OD	2
21	34-00677-10	Bolt, Machine, Hex Head, 5/16-24 X 1-1/4 Inch Long, Grade 8	2
22	34-00663-11	Washer, Lock, 1/4 Inch Nominal, Spring	4

2.4.2 LIQUID LINE ASSEMBLY, CM-5 AND CM-14, (REMOTE) - Continued

Item	Part Number	Description	Qty
23	34-06212-13	Washer, Flat, 5/16 Inch Nominal	6
24	40-00501-50	Cap, King Valve, Service Part	2
25	AC601-615	Spacer, 7/8 X 1/2 X 15/16 Inch	2
26	65-01035-01	Receiver Assembly	1
27	AC101-203	Sightglass, Moisture Indicator, 7/8-14	1
28	34-00655-24	Bolt, Machine, Hex Head, 1/4-20 X 3 Inch Long, SST	2
29	34-00792-08	Bolt, Hex Head, 5/16-18 X 1 Inch, SST	4
30	14-01032-01	Plug, Fusible, 3/8 MPT	1
31	62-62039-00	Label, Charge With R-134a, (CM5 & CM-14)	1
	AC901-535	Label, R-134a, (C4RE)	1
32	AC601-618	Spacer, 7/8 X 1/2 X 1-1/8 Inch	2
33	68RM35-1122	Tube, Liquid, 5/8 OD X .040W Copper	1
34	40-00169-33	Tee, Reducing, 5/8 X 5/8 X 1/2 , (C4RE Only)	1
35	40-62032-02	Nut, Swivel Fitting, #8 MIO X 1/2 Tube, (C4RE Only)	1
36	56-00142-24	Tube, Copper, 1/2 OD x .035W X 1.38 Inch Long, (C4RE Only)	1
37	56-00143-75	Tube, Copper, 5/8 OD x .040W, (C4RE Only)	1
38	56-00143-47	Tube, Copper, 5/8 OD x .040W, (C4RE Only)	1

SECTION 2.5 CM-6 CONDENSER

2.5.1 CONDENSER, CM-6

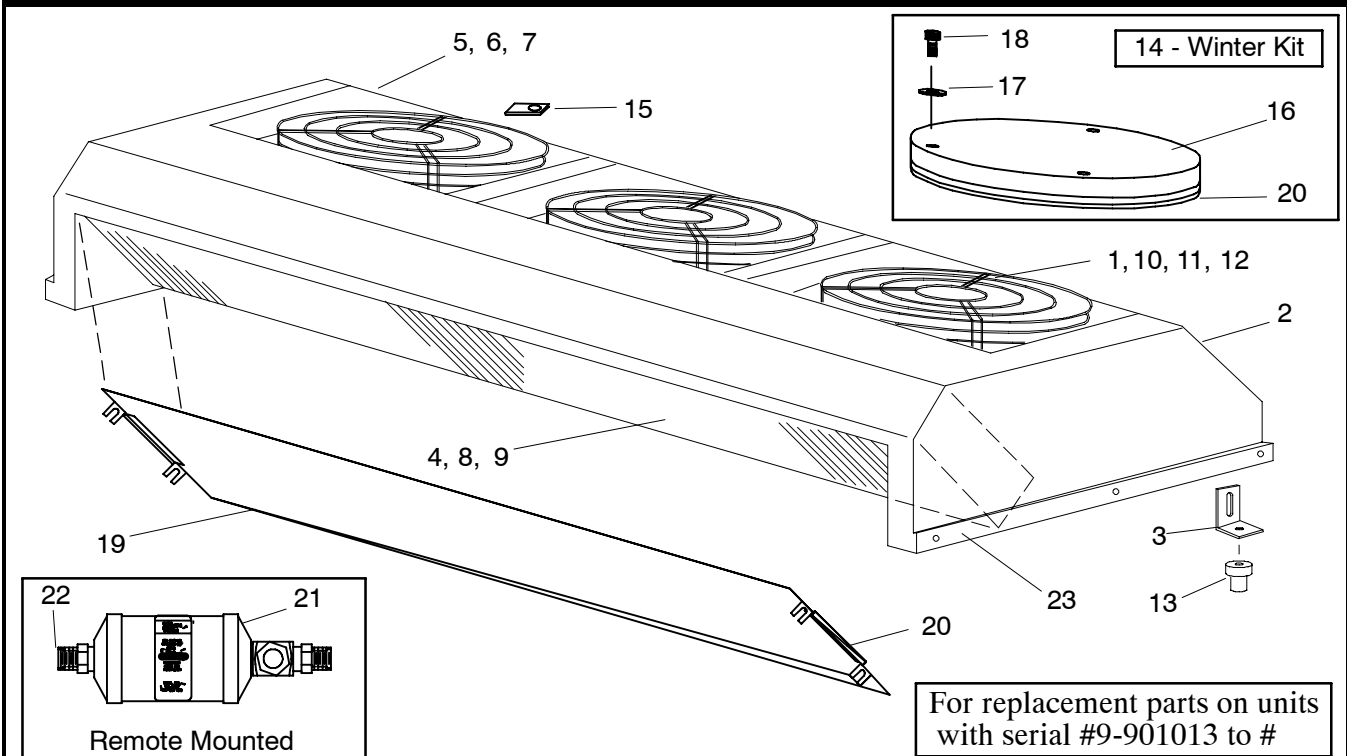


For replacement parts on units with serial #34979 to #

Item	Part Number	Description	Qty
1	AC030-005	Mount, Motor, Wire Formed	6
2	AC030-006	Guard, Fan, Wire Formed	6
3	AC030-024	Plate, O-Ring	2
4	AC030-056	Bracket, O-Ring Plate	2
5	AC030-052	Coil, Condenser	1
6	AC030-053	Plate, Venturi	1
7	AC101-200	Sightglass Indicator, 1/2 Inch Male Fl. x 1/2 Inch Female Fl. - Includes:	2
7A	P806-B2-8Gasket, Flare, 1/2 SAE, Copper	1
8	AC101-303	Filter drier	2
9	AC201-100	Circuit breaker, 20 AMP	6
10	AC201-400	Switch, Pressure, High	2
11	AC201-404	Switch, Pressure, Low	2
12	AC301-452	Fitting, 90° Swivel Union, 1/2 Inch FFL X 1/2 Inch MFL	2
13	AC301-601	Fitting, Nut, 1/2 Inch Male O-Ring, (Brass)	2
14	AC201-905	Harness, Motor	2
15	AC401-100	Blade, Fan	6
16	AC501-102A	Motor, Condenser, 12 VDC	6
	AC501-103A	Motor, Condenser, 24 VDC	6
17	AC701-105	Nut, Nylon	18
18	AC701-208	Clamp, Filter Drier, With Bolt	4

SECTION 2.6 CM-7 CONDENSER

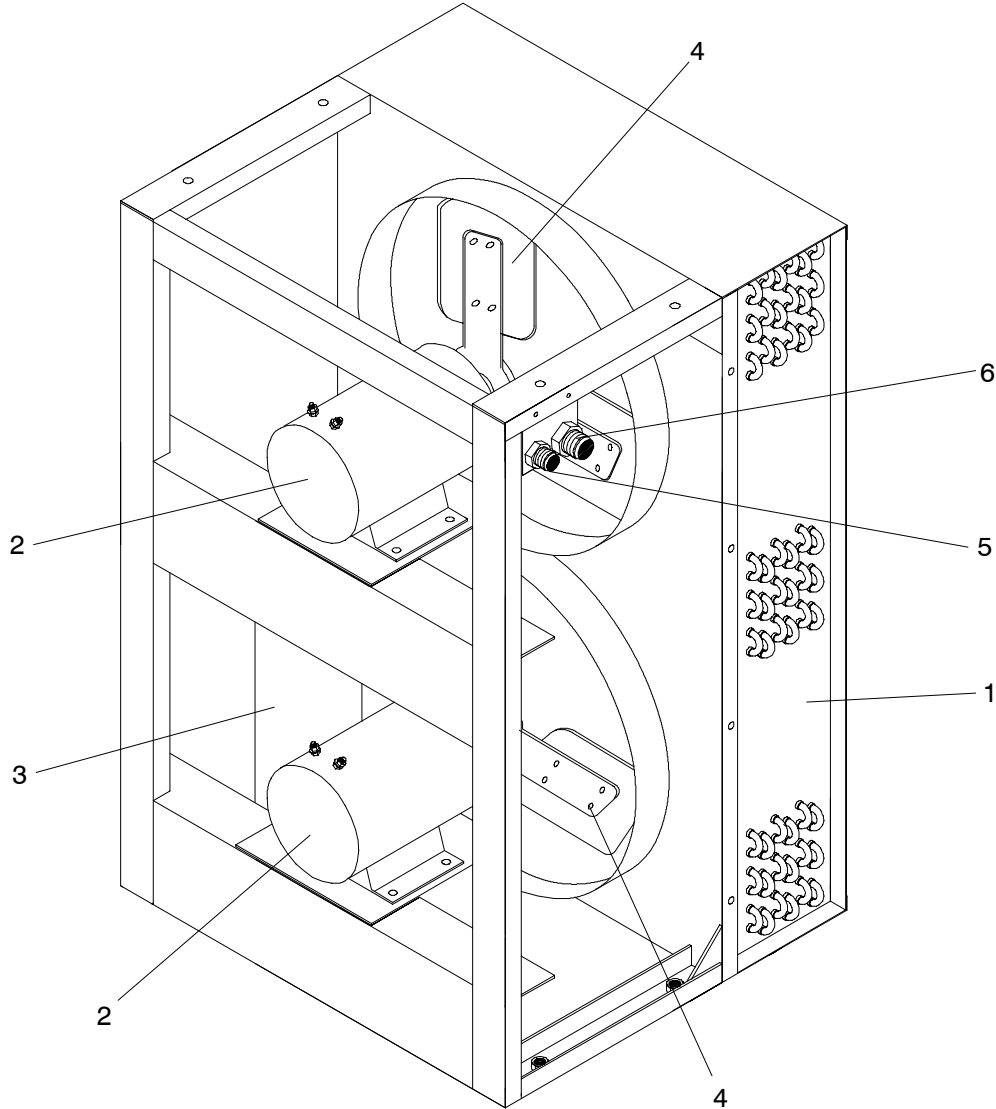
2.6.1 CONDENSER, CM-7, ROOF-TOP MOUNTED



Item	Part Number	Description	Qty
N/S	AC030-005	Mount, Motor, Wire Formed	3
1	AC030-006	Guard, Fan, Wire Formed	3
2	AC031-005	Cover, High Impact, Molded, (White)	1
3	AC031-016	Foot, Mounting	4
4	AC031-019	Coil Assembly, With Pressure Switches	1
5	AC031-020	Assembly, Hose, Inlet, (CM-7, CM-11)	1
6	AC031-021	Assembly, Hose, Outlet, (CM-7, CM-11)	1
7	AC031-029	Assembly, Feed-Thru Plate, (CM-7, CM-11)	1
8	AC201-400	Switch, Pressure, High	1
9	AC201-404	Switch, Pressure, Low	1
N/S	AC201-905	Harness, Condenser Motor	3
10	AC401-100	Blade, Fan	3
11	AC501-102A	Motor, Condenser, 12 VDC	3
	AC501-103A	Motor, Condenser, 24 VDC	3
12	AC701-105	Nut, Nylon	10
13	AC801-602	Wellnut	4
14	76-62028-00	Winterization Kit, Consisting Of:	1
15	AC701-106 Tinnerman Clip, 1/4-20, (Clips On To Fan Guards)	9
16	AC030-075 Cover, Fan, ABS	3
17	AC801-305 Washer, Nylon	9
18	AC801-307 Screw, Nylon, 1/4-20	9
19	68-62287-00 Coil Cover, Metal	1
20	AC801-412F25 Gasket, Trim Seal, Black (25 Ft. Roll)	1
21	14-00288-00	Filter Drier/Sight Glass Assembly 1/2 Inch Male O-Ring	1
22	AC801-202	O-Ring, 1/2 Inch HNBR	2
23	AC031-018	Assembly, Frame, Condenser, CM-7	1

SECTION 2.7 CM-8 CONDENSER

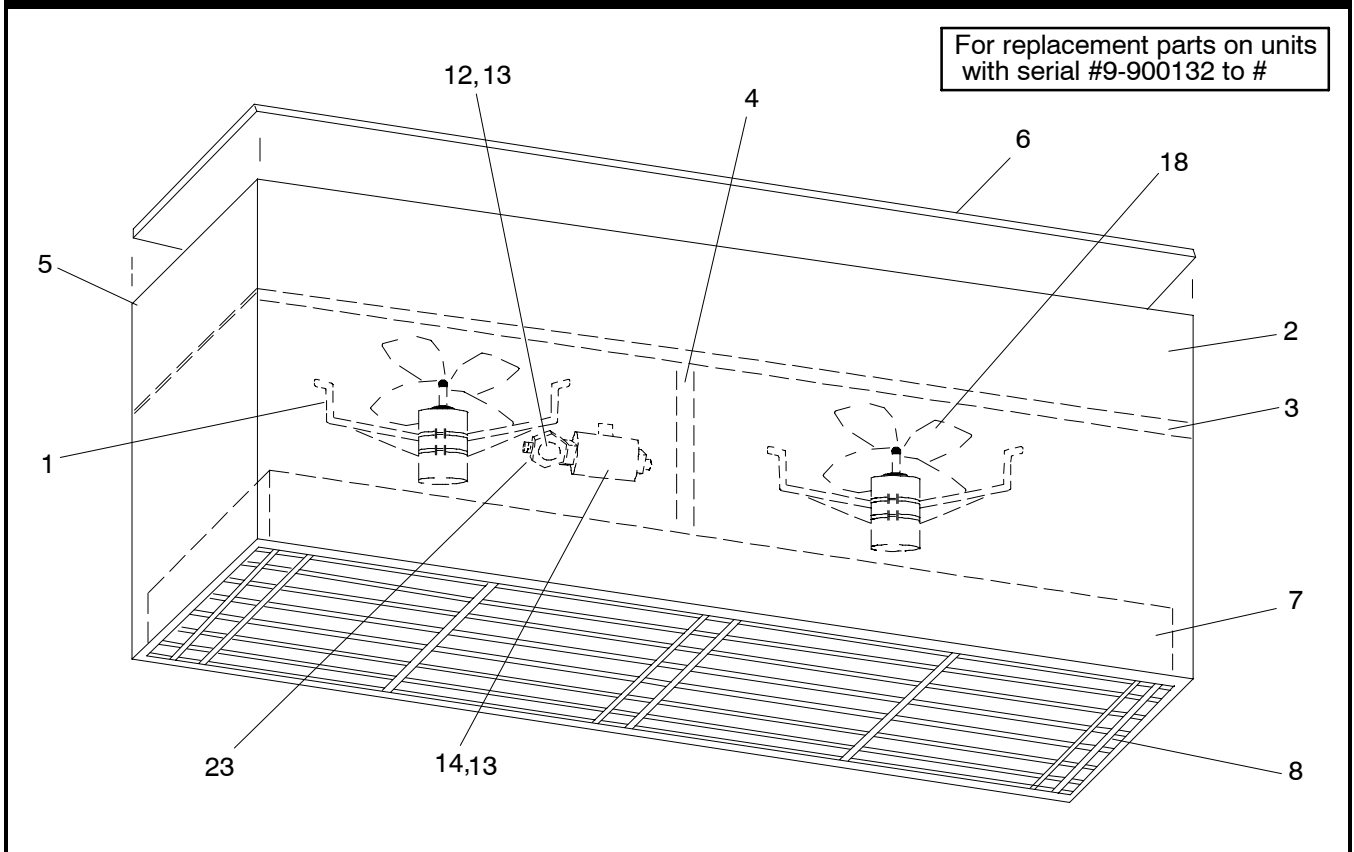
2.7.1 CONDENSER, CM-8



Item	Part Number	Description	Qty
1	AC030-268	Coil Assembly, Condenser	1
2	AC501-123	Motor, Condenser, 12 VDC	2
3	AC101-310	Receiver	1
4	AC401-112	Blade, Fan	2
5	AC301-682	Fitting, 37°, O-Ring, (1-1/16-12 Thread)	1
6	DE07DA608	Fitting, 37°, O-Ring, (1-5/16-12 Thread)	1
7	AC701-248	Clamp, Stauff, 5/8 Inch	3
8	44-00285-72	Clamp, Stauff, 7/8 Inch	1

SECTION 2.8 CM-9 CONDENSER

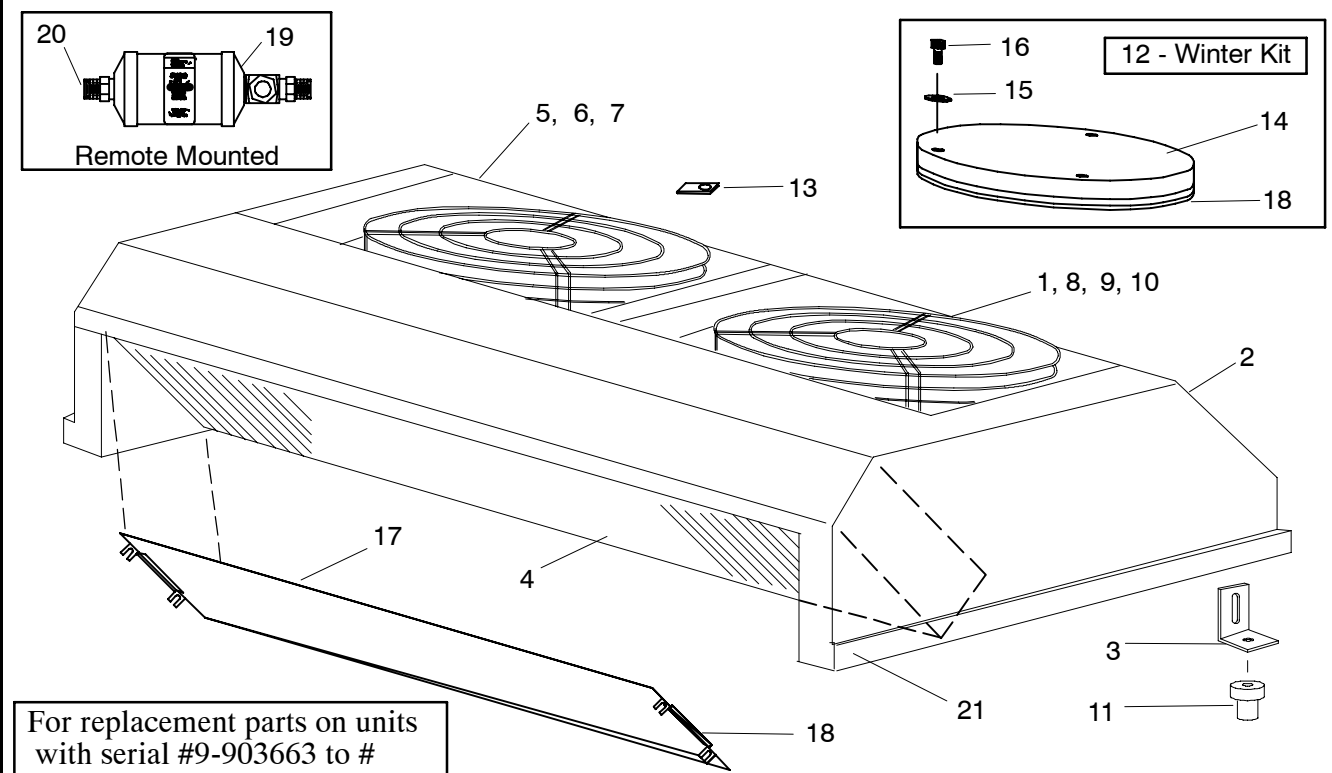
2.8.1 CONDENSER, CM-9



Item	Part Number	Description	Qty
1	AC030-005	Mount, Motor, Wire Formed	2
2	AC030-083	Panel, Front	1
3	AC030-087	Panel, Venturi	1
4	AC030-088	Support, Center	1
5	AC030-092	Weldment, Wrapper, CM-9	1
6	AC030-095	Cover, Winterization	1
7	AC030-103	Coil Assembly, With Pressure switches	1
8	AC030-117	Grill, Air Outlet	2
9	AC030-127	Assembly, Hose	1
10	AC030-128	Assembly, Hose, Liquid	1
11	AC030-129	Assembly, Hose, Discharge	1
12	AC101-200	Sightglass Indicator, 1/2 Inch Male Fl. x 1/2 Inch Female Fl. - Includes:	1
12A	P806-B2-8Gasket, Flare, 1/2 SAE, Copper	1
13	AC801-202	O-Ring, 1/2 Inch	2
14	AC101-303	Filter Drier	1
15	AC201-400	Switch, Pressure, High	1
16	AC201-404	Switch, Pressure, Low	1
17	AC201-905	Harness, Condenser Motor	2
18	AC401-100	Blade, Fan	2
19	AC501-102A	Motor, Condenser, 12 VDC	2
20	AC701-231	Clamp, Conduit, 2 inch, (filter Drier)	2
21	AC801-300	Bushing, Universal, 1 Inch	1
22	AC801-306	Grommet, Quick-Loc	2
23	AC801-513	Plug, Black, 1-1/4 Inch	1

SECTION 2.9 CM-11 CONDENSER

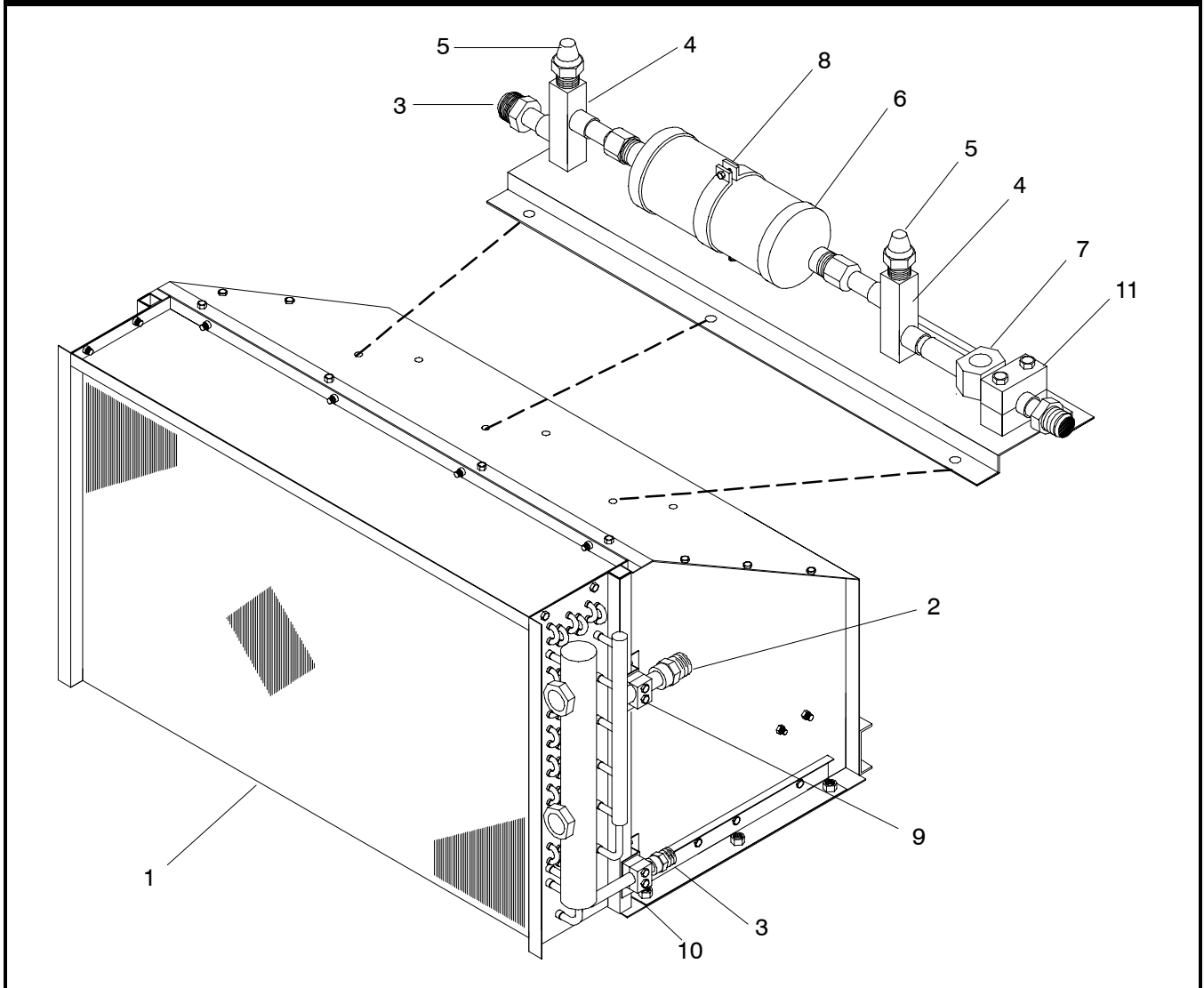
2.9.1 CONDENSER, CM-11, ROOF-TOP MOUNTED



Item	Part Number	Description	Qty
N/S	AC030-005	Mount, Motor, Wire Formed	2
1	AC030-006	Guard, Fan, Wire Formed	2
2	AC031-044	Cover, High Impact, Molded, (White)	1
3	AC031-016	Foot, Mounting	4
4	AC031-048	Coil Assembly, With Pressure Switches	1
5	AC031-020	Assembly, Hose, Inlet, (CM-7, CM-11)	1
6	AC031-021	Assembly, Hose, Outlet, (CM-7, CM-11)	1
7	AC031-029	Assembly, Feed-Thru Plate, (CM-7, CM-11)	1
N/S	AC201-400	Switch, Pressure, High	1
N/S	AC201-404	Switch, Pressure, Low	1
N/S	AC201-905	Harness, Condenser Motor	2
8	AC401-100	Blade, Fan	2
9	AC501-102A	Motor, Condenser, 12 VDC	2
	AC501-103A	Motor, Condenser, 24 VDC	2
10	AC701-105	Nut, Nylon	10
11	AC801-602	Wellnut	4
12	76-62029-00	Winterization Kit, (Optional), Consisting Of:	1
13	AC701-106 Tinnerman Clip, 1/4-20	6
14	AC030-075 Cover, Fan, ABS	2
15	AC801-305 Washer, Nylon	6
16	AC801-307 Screw, Nylon, 1/4-20	6
17	68-62288-00 Coil Cover, Metal	1
18	AC801-412F25 Gasket, Trim Seal, Black (25 Ft. Roll)	1
19	14-00288-00	Filter Drier/Sight Glass, 1/2 Inch Male O-Ring	1
20	AC801-202	O-Ring, 1/2 Inch HNBR	2
21	AC031-043	Assembly, Frame, Condenser, CM-11	1

SECTION 2.10 CM-13 CONDENSER

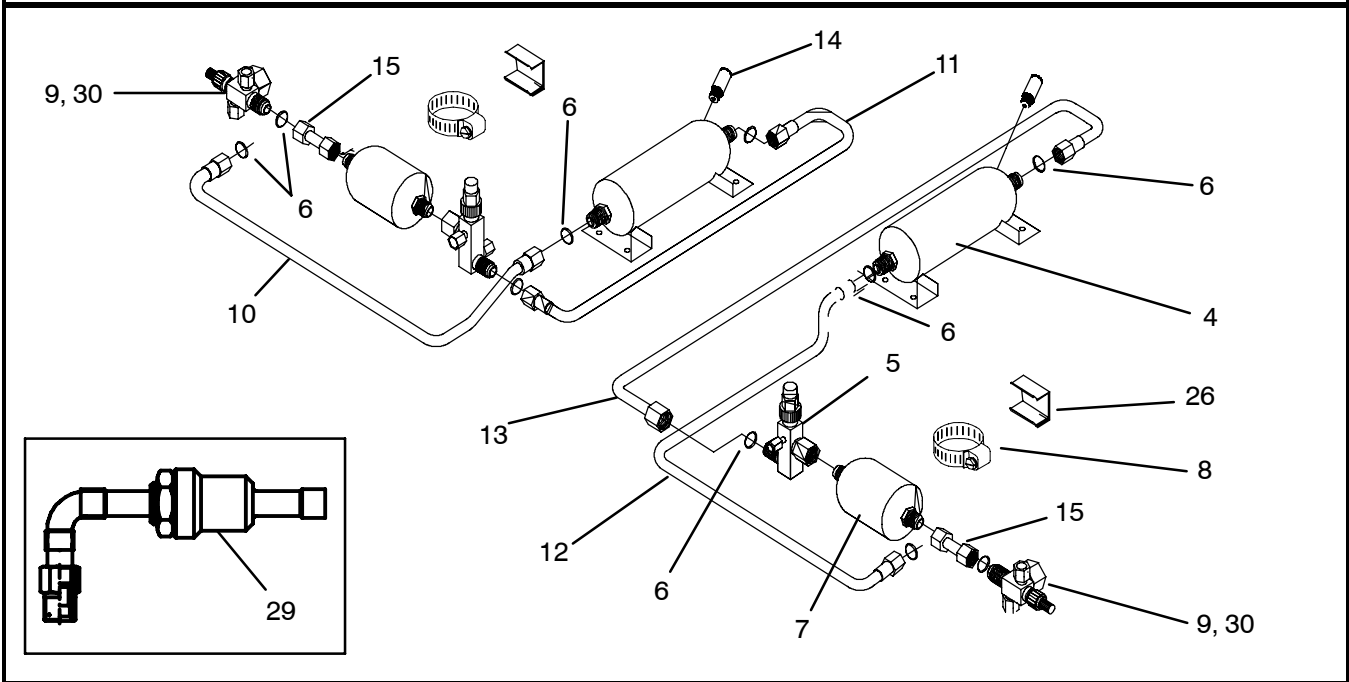
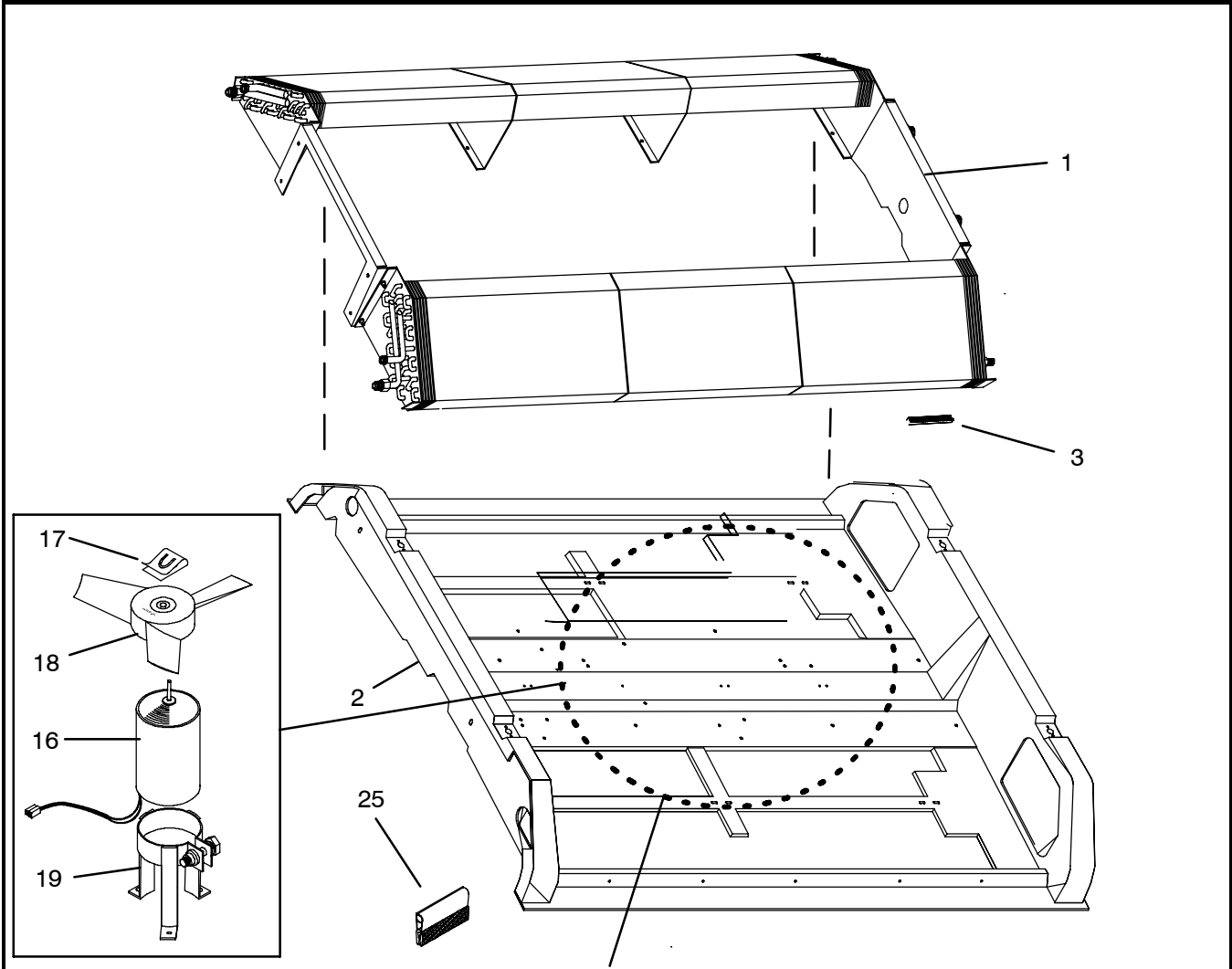
2.10.1 CONDENSER, CM-13



Item	Part Number	Description	Qty
1	AC030-269	Coil Assembly, Condenser	1
N/S	AC501-123	Motor, Condenser, 12 VDC	2
2	DE07DA608	Fitting, 37°, O-Ring, 1-5/16-12 Thread	1
N/S	AC401-112	Blade, Fan	2
3	AC301-682	Fitting, 37°, O-Ring, (1-1/16-12 Thread)	3
4	40-00501-06	Valve, King, Shutoff	2
5	40-00501-50	Cap, King Valve	2
6	14-01105-00	Filter Drier	1
7	KM43AG301	Sightglass	1
8	AC701-243	Clamp, Filter Drier	1
9	44-00285-72	Clamp, Stauff, 7/8 Inch	1
10	AC701-248	Clamp, Stauff, 5/8 Inch	1
11	AC701-242	Clamp, Stauff, 3/4 Inch	1

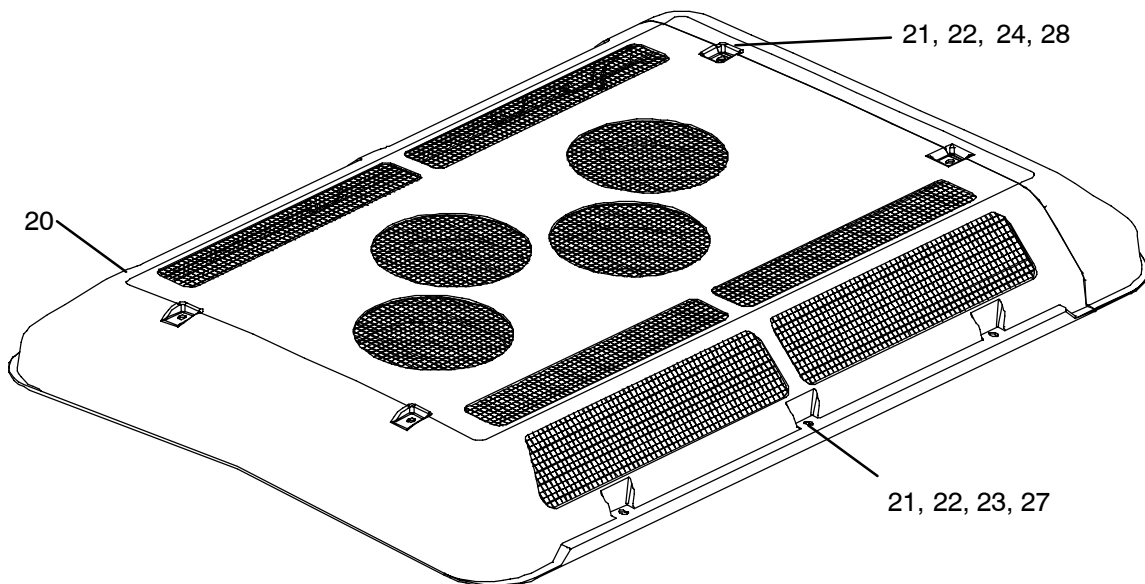
SECTION 2.11 CONDENSER, K-310

2.11.1 CONDENSER, K-310, DUAL LOOP

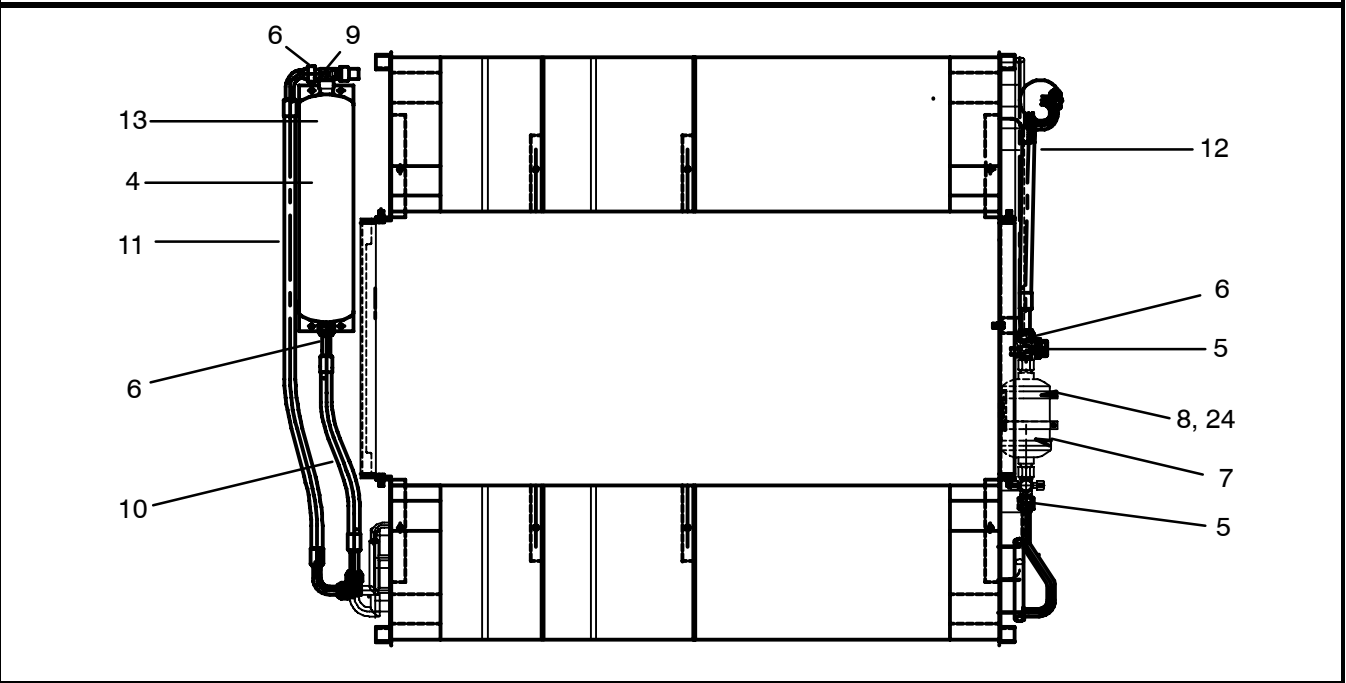
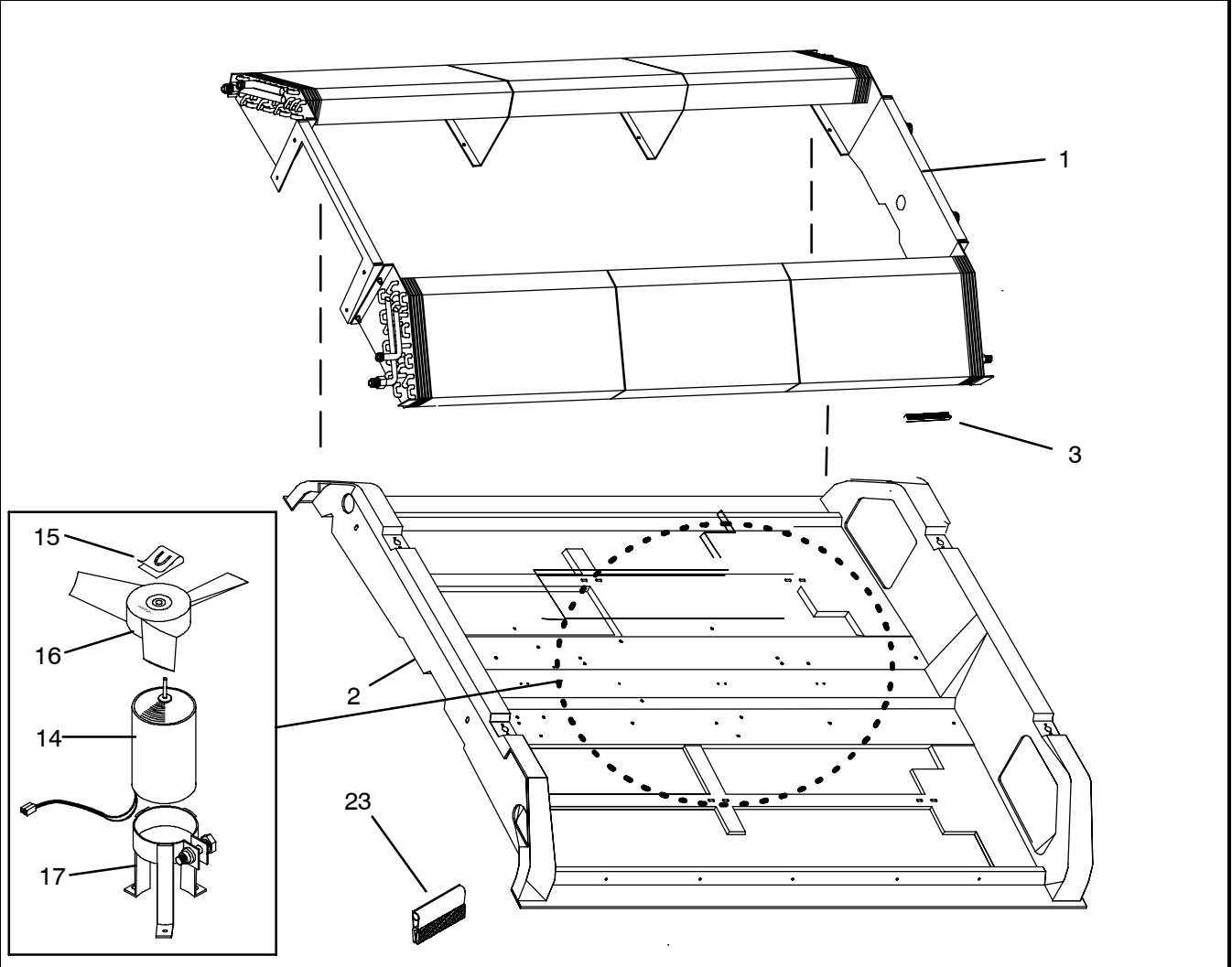


2.11.1 CONDENSER, K-310, DUAL LOOP - Continued:

Item	Part Number	Description	Qty
1	24-02-11-153	Condenser Coil Assembly, "O"-Ring Fittings - (Includes Both Coils)	1
2	75-47-05-403	Housing, Condenser, (12 & 24 Volt)	1
3	21-10-01-001	Foam Rubber Tape 15mm X 30mm	3 M
4	10-63-01-013	Receiver Tank	2
5	22-05-15-100	Valve, Shut-Off	2
6	32-23-26-236	Gasket, 7/8 inch (Flare Washer)	10
7	24-06-01-026	Filter Drier	2
8	32-15-11-005	Clamp, Filter Drier	2
9	22-05-15-305	Valve, Shut-Off	2
10	10-60-03-026	Tube Assembly, Liquid Line, Receiver Inlet	1
11	10-60-03-027	Tube Assembly, Liquid Line, Receiver Outlet	1
12	10-60-03-028	Tube Assembly, Liquid Line, Receiver Inlet	1
13	10-60-03-029	Tube Assembly, Liquid Line, Receiver Outlet	1
14	24-04-02-005	Valve, Pressure Relief	2
15	10-60-71-003	Tube Assembly, Filter Drier Outlet	2
16	28-02-05-013	Motor, Fan, 12 VDC	4
	28-02-10-015	Motor, Fan, 24 VDC	4
17	32-13-05-001	Clip, Fan Blade	4
18	28-23-01-024	Fan Blade, (3 Blade)	4
19	86-62216-01	Bracket, Motor Support (4.25 Inches)	4
20	75-47-05-117	Cover Assembly, Condenser	1
21	32-10-10-500	Rivet	20
22	32-24-01-016	Washer, Retaining	10
23	32-24-01-039	Base, Lock, (Side)	6
24	32-24-01-034	Bolt, Locking, (End)	4
25	21-03-51-025	Gasket, Profiled Joint	3 M
26	15-07-12-002	Bracket, Filter Drier	2
27	32-24-01-013	Bolt, Locking, (Side)	6
28	32-24-01-010	Lock, Base, (End)	4
29	10-60-15-080	Check Valve Assembly (Discharge Line)	1
30	17-31205-00	Ring, Teflon (White)	2

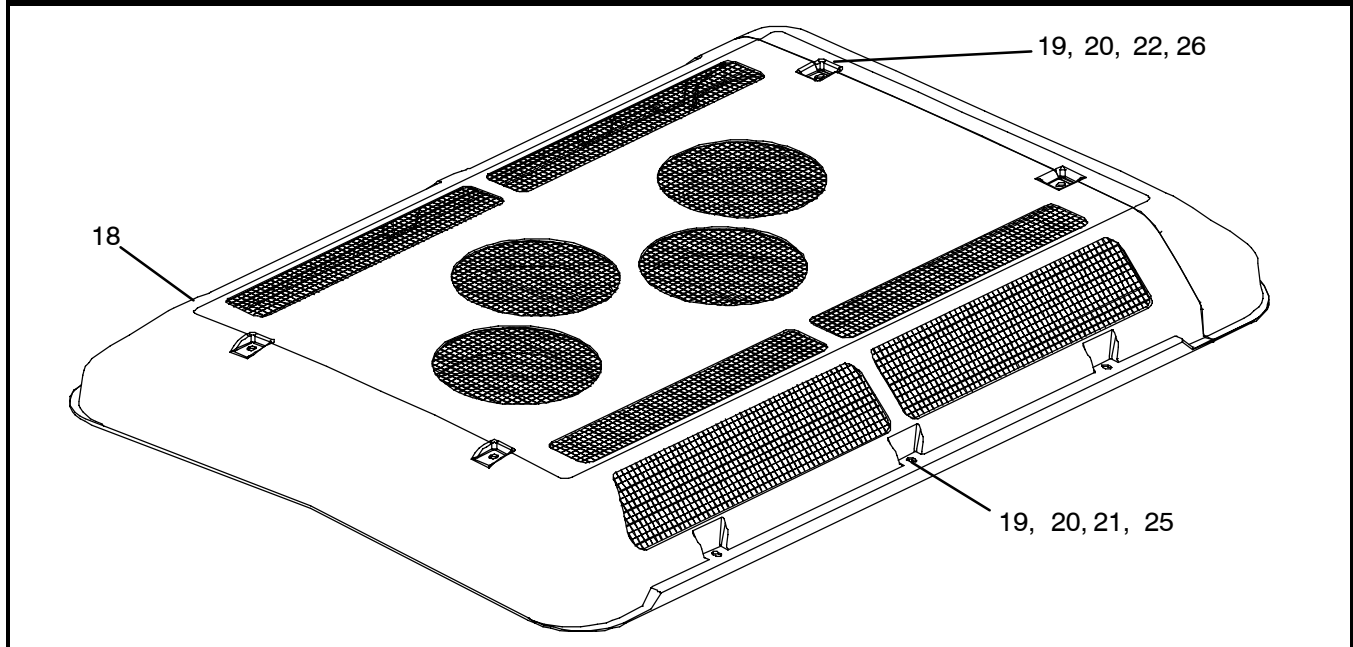


2.11.2 CONDENSER, K-310, SINGLE LOOP

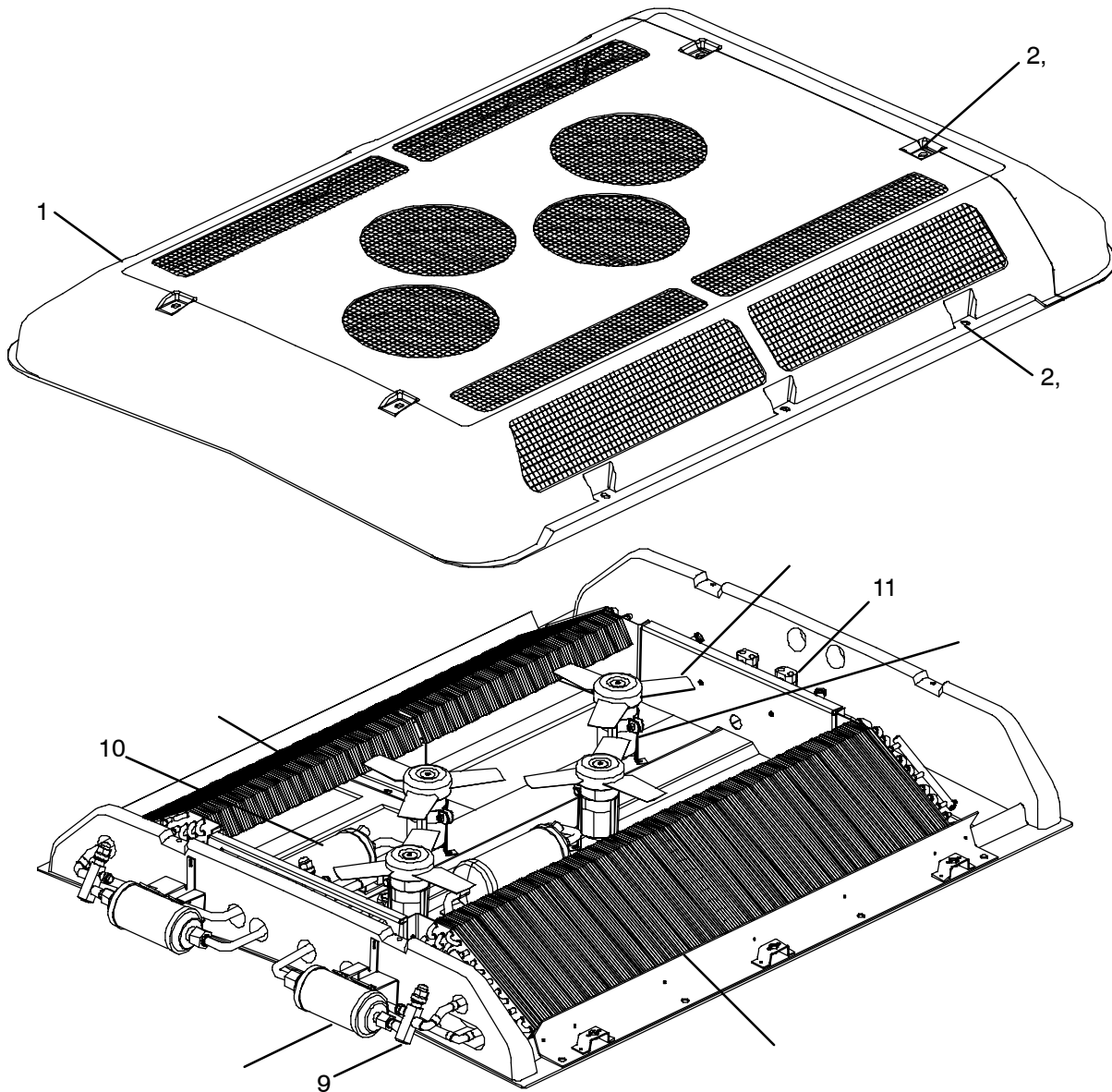


2.11.2 CONDENSER, K-310, SINGLE LOOP - Continued:

Item	Part Number	Description	Qty
1	24-02-11-201	Condenser Coil Assembly, With O-Ring Fittings (Both Coils)	1
2	75-47-05-115	Housing, Condenser, (12 & 24 Volt)	1
3	21-10-01-001	Foam Rubber Tape 15mm X 30mm	4 M
4	10-63-01-010	Receiver Tank	1
5	22-05-15-100	Valve, Shut-Off	2
6	32-23-26-236	Gasket, 7/8 inch (Flare Washer)	6
7	24-06-01-026	Filter Drier	1
8	32-15-11-005	Clamp, Filter Drier	1
9	22-05-15-305	Valve, Shut-Off	1
10	10-60-22-023	Tube Assembly, Liquid Line, Receiver Inlet	1
11	10-60-22-033	Tube Assembly, Liquid Line, Receiver Outlet	1
12	10-60-22-048	Tube Assembly, Liquid Line, Receiver Inlet	1
13	24-04-02-005	Valve, Pressure Relief	1
14	28-02-05-013	Motor, Fan, 12 VDC	4
	28-02-10-015-01	Motor, Fan, 24 VDC	4
15	32-13-05-001	Clip, Fan Blade	4
16	28-23-01-024	Fan Blade, (3 Blade)	4
17	86-62216-01	Bracket, Motor Support (4.25 Inches)	4
18	75-47-05-117	Cover Assembly, Condenser	1
19	32-10-10-500	Rivet	20
20	32-24-01-016	Washer, Retaining	10
21	32-24-01-039	Base, Lock, (Side)	6
22	32-24-01-034	Bolt, Locking, (End)	4
23	21-03-51-025	Gasket, Profiled Joint	3 M
24	15-07-12-001	Bracket, Filter Drier	1
25	32-24-01-013	Bolt, Locking, (Side)	6
26	32-24-01-010	Lock, Base, (End)	4
N/S	10-60-15-080	Check Valve Assembly, (Discharge Line) (See Page 177 Item 29)	1
27	17-31205-00	Ring, Teflon (White)	1



2.11.3 CONDENSER, 68KR4-100 SERIES, DUAL LOOP

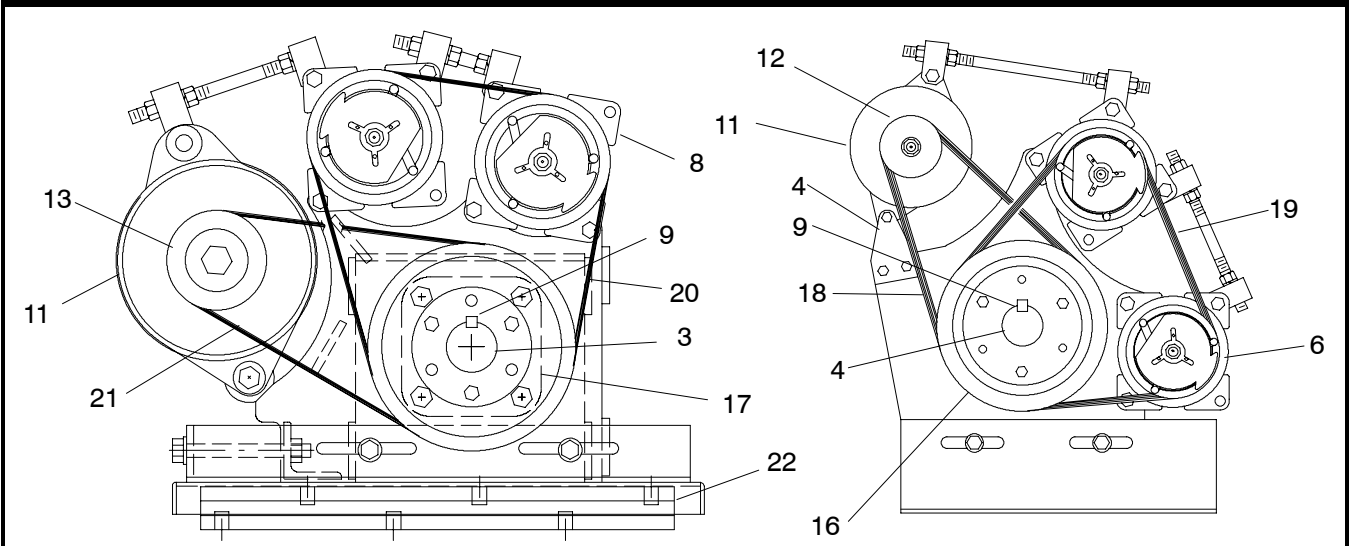


Item	Part Number	Description	Qty
1	58-62016-00	Cover Assembly, Condenser	1
2	34-62015-00	Stud, Captive, 1/4 Turn, Camloc	10
3	34-62022-00	Washer, Retaining, Special	10
4	38-00567-00	Fan, Condenser	4
5	28-02-05-013	Motor, 12 VDC	4
	28-02-10-015	Motor, 24 VDC	4
6	08-62029-00	Coil, Condenser	1
7	08-62029-01	Coil, Condenser	1
8	14-00320-00	Filter Drier	2
9	40-00501-05	Valve, King	4
10	65-62002-00	Receiver Tank Assembly, 4 Inch O.D.	2
11	14-00026-04	Indicator, Liquid & Moisture, 5/8 ODF	2

SECTION 3 - POWER PACKS & AUXILIARY DRIVE MODULES

SECTION 3.1 AUXILIARY DRIVE MODULES

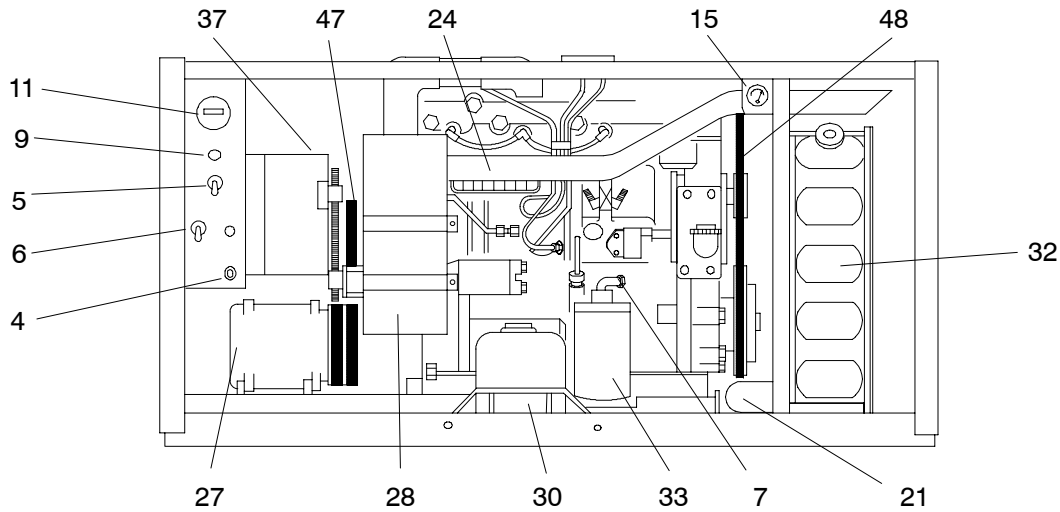
3.1.1 AUXILIARY DRIVE MODULE, (ADM)



Item	Part Number	Description	Qty
1	AC053-002	Assembly, Auxiliary Drive Module-1, (Without Alternator)	1
2	AC053-003	Assembly, Auxiliary Drive Module-1A, (With Alternator)	1
3	AC053-420	Assembly, Auxiliary Drive Module-4, (Thomas), Less Alternator	1
4	AC053-010	Shaft, 1-7/16 Inch Diameter X 14.250 Inch Long	1
5	AC053-382	Shaft, 1-7/16 Inch Diameter X 15.781 Inch Long	1
6	AC053-024	Bracket, Alternator Mounting	2
7	AC501-271A	Compressor, SD-709, 12VDC, R-12	2
	AC501-267	Compressor, SD-709, 12VDC, R-134a	2
8	AC501-266	Compressor, TM-15, 12VDC, R-134a	2
9	AC501-317	Key, .375 X .375 X 4 Inch	1
10	AC501-401	Regulator, With Harness	1
11	AC501-403	Alternator, 165 AMP	REF
	AC501-405	Alternator, 100 AMP	REF
	AC501-409	Alternator, 130 AMP	REF
12	AC501-407	Pully, Alternator, (2) 1/2 Grooves, 2.69 Inch Diameter	1
13	AC501-439	Pully, Alternator, (2) "A" Grooves, 3.04 Inch Diameter, (Leese-Neville)	1
14	AC601-306	Bushing, SH, 1-7/16 Inch	REF
	AC601-324	Bushing, SDS, 1-7/16 Inch	REF
	AC601-334	Bushing, SK, 1-7/16 Inch	REF
15	AC601-332	Sheave, 2 Groove, 5 V 6.3 Inch OD SK	REF
	AC601-333	Sheave, 3 Groove, 3A 7.25 OD Inch SK	1
	AC601-340	Sheave, 2 Groove, 2B 6.3 Inch OD SDS	REF
	AC601-341	Sheave, 2 Groove, 3v 5.6 Inch OD SH	REF
16	AC601-335	Flange, Bearing, 1-7/16 Inch	2
17	AC601-348	Bearing, Type E Flange	2
18	AC601-429	Belt, Alternator	1
19	AC602-469	Belt, Compressor	2
20	AC602-432	Belt, Compressor	2
21	AC602-412	Belt, Alternator	1
22	AC053-232	Mount, Shock	2

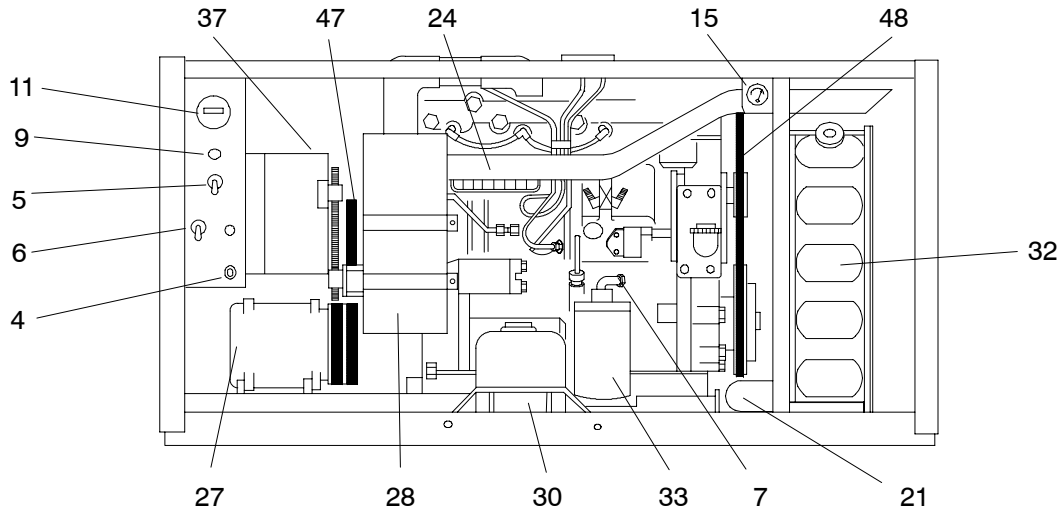
SECTION 3.2 DIESEL & GAS POWER PACKS

3.2.1 DIESEL POWERPAK, CUMMINS DM-1 & DM-2



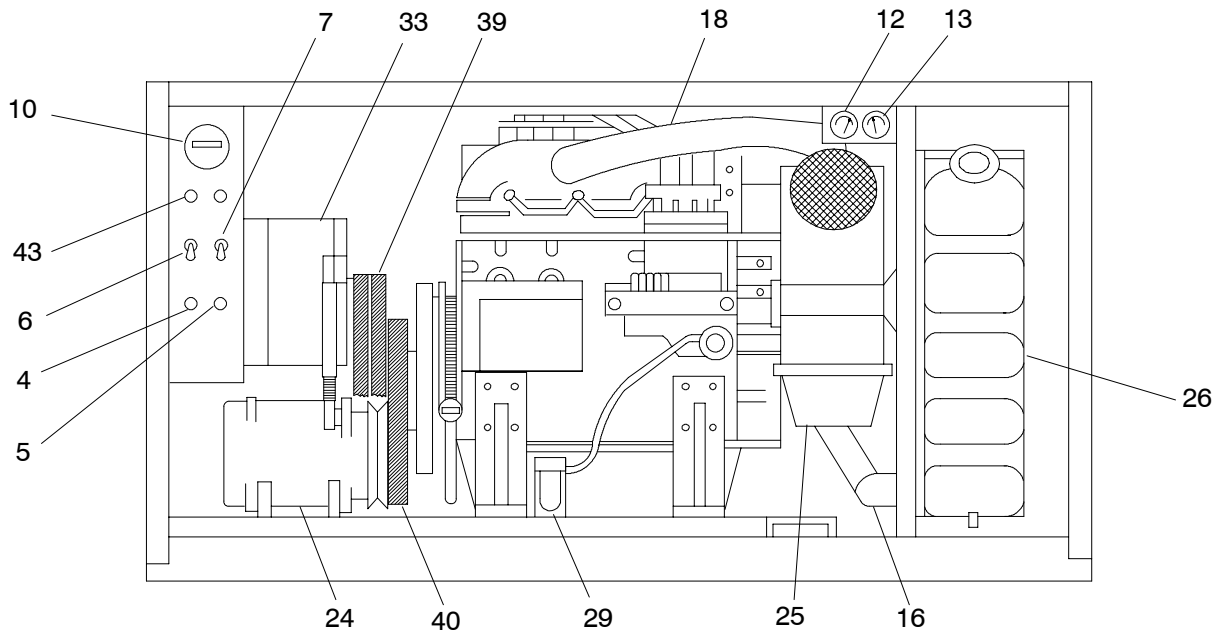
Item	Part Number	Description	Qty
1	AC201-100	Breaker, Circuit, 20 AMP	REF
2	AC201-101	Breaker, Circuit, 30 AMP	REF
3	AC201-102	Breaker, Circuit, 50 AMP	REF
4	AC201-109	Breaker, Circuit, .5 AMP	1
5	AC202-301	Switch, Toggle, DPDT, (ON-OFF-ON)	1
6	AC201-302	Switch, Toggle, SPDT, (ON-OFF-MOM)	1
7	AC201-403	Switch, Oil Pressure	1
8	AC201-600	Diode, In-Line, 6 AMP	1
9	AC201-601	Light, LED, Red	2
10	AC201-605	Light, Service	1
11	AC201-700	Hourmeter	1
12	AC201-701	Gauge, Voltmeter, (Optional)	1
13	AC201-702	Gauge, Oil Pressure, (Optional)	1
14	AC201-703	Sender, Oil Pressure, (Optional)	1
15	AC201-706	Gauge, Water Temperature (Includes: 3/8 Inch NPT Adapter)	1
16	AC201-800	Solenoid, 12 VDC	REF
17	AC201-806	Relay, 40 AMP, 12 VDC	REF
18	AC201-903	Board, Terminal, 6 Position	1
19	AC201-925	Board, Terminal, 10 Position	1
20	AC301-201	Hose, Fuel, 1/4 Inch Inside Diameter X Foot	6
21	AC201-202	Hose, Radiator, Lower	1
22	AC301-209	Hose, Fuel, 5/15 Inch Inside Diameter X Foot	3
23	AC301-211	Hose, Water Pump	1
24	AC301-215	Hose, Air Cleaner, Upper, X Foot	2
25	AC301-220	Hose, Radiator, Upper	1
26	AC401-102	Blade, Fan, Plastic, 14 Inch	1
27	AC501-271A	Compressor, SD-709, 12 VDC, O-Ring	A/R
28	AC501-305	Air Cleaner	1

3.2.1 DIESEL POWERPAK, CUMMINS DM-1 & DM-2 (Continued)



Item	Part Number	Description	Qty
29	AC501-310	Pad, Radiator	4
30	AC501-314	Bottle, Coolant Recovery	1
31	AC501-315	Filter, Fuel, Inline, (Optional)	1
32	AC501-323	Radiator	1
33	AC501-325	Filter, Oil	1
34	AC501-328	Filter, Fuel	1
35	AC501-330	Air Cleaner, Electric, (Cummins-Fleetguard #AF435KM)	1
36	AC501-332	Filter, Fuel, With Water Separator	1
37	AC501-403	Alternator, 165 AMP	REF
	AC501-405	Alternator, 100 AMP	REF
	AC501-413	Alternator, 130 AMP	REF
38	AC501-406	Regulator	1
39	AC501-407	Pulley, Alternator, (2) 1/2 Inch Grv., 2.69 Inch Dia. (100 AMP)	REF
	AC501-411	Pulley, Alternator, (2) 1/2 Inch Grv., 3.25 Inch Dia. (165 AMP)	REF
40	AC501-500	Pump, Fuel, 12 VDC	1
41	AC601-100	Plate, Adapter, Compressor	A/R
42	AC601-319	Bushing, SD-1-7/16 Inch	REF
43	AC601-321	Sheave, 2 Groove	REF
44	AC601-324	Bushing, Sheave	REF
45	AC601-330	Sheave, 3 Groove, 5.6 Inch Diameter	REF
46	AC601-423	Belt, Compressor, DM-2 Only	1
47	AC601-473	Belt, Alternator & Compressor	2
48	AC601-477	Belt, Water Pump	1
49	AC601-500	Idler, Single Groove	A/R
50	AC801-601	Mount, Shock	4

3.2.2 DIESEL POWERPAK, KUBOTA, DM-1 & DM-2

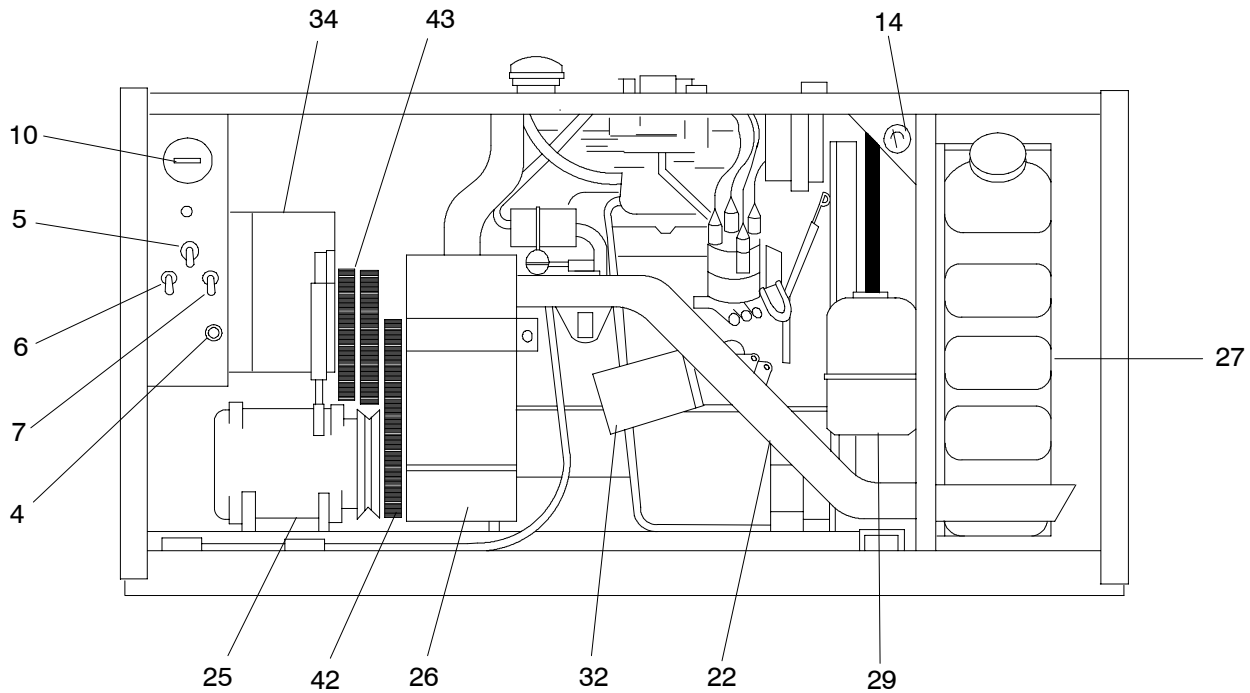


Item	Part Number	Description	Qty
1	AC201-100	Breaker, Circuit, 20 AMP	REF
2	AC201-101	Breaker, Circuit, 30 AMP	REF
3	AC201-102	Breaker, Circuit, 50 AMP	REF
4	AC201-113	Breaker, Circuit, 20 AMP, Thermal Reset	1
5	20-44-1659	Switch, Safety	1
6	AC202-301	Swiotch, Toggle, DPDT, (ON-OFF-ON)	1
7	AC201-302	Swiotch, Toggle, SPDT, (ON-OFF-MOM)	1
8	AC201-403	Switch, Oil Pressure	1
9	AC201-600	Diode, In-Line, 6 AMP	1
10	AC201-700	Hourmeter	2
11	AC201-701	Gauge, Voltmeter, (Optional)	1
12	AC201-709	Gauge, Oil Pressure	1
13	AC201-706	Gauge, Water Temperature (Includes: 3/8 Inch NPT Adapter)	1
14	AC201-806	Relay	REF
15	AC201-925	Board, Terminal, 10 Position	1
16	AC301-208	Hose, Radiator, Upper & Lower	2
17	AC301-201	Hose, Fuel, 1/4 Inch Inside Diameter X Foot	4
18	AC301-209	Hose, Fuel, 5/15 Inch Inside Diameter X foot	7
19	AC301-214	Hose, Heater, 1 x 4-1/2 Inches	1
20	AC301-215	Hose, Air Cleaner, Inlet & Outlet X Foot	2
21	AC301-210	Hose, Fuel Return, 3/16 Inch Inside Diameter X Foot	1.5
22	AC301-200	Hose, Drain, Black Vinyl, 1/2 Inch X 50 Feet Long	1
23	AC401-102	Blade, Fan, Plastic, 14 Inch	1
24	AC501-271A	Compressor, SD-709, 12 VDC, O-Ring	A/R
25	AC501-305	Air Cleaner	1
26	AC501-323	Radiator	1
27	AC501-310	Pad, Radiator	4
28	AC501-314	Bottle, Coolant Recovery	1

3.2.2 DIESEL POWERPAK, KUBOTA, DM-1 & DM-2 - Continued

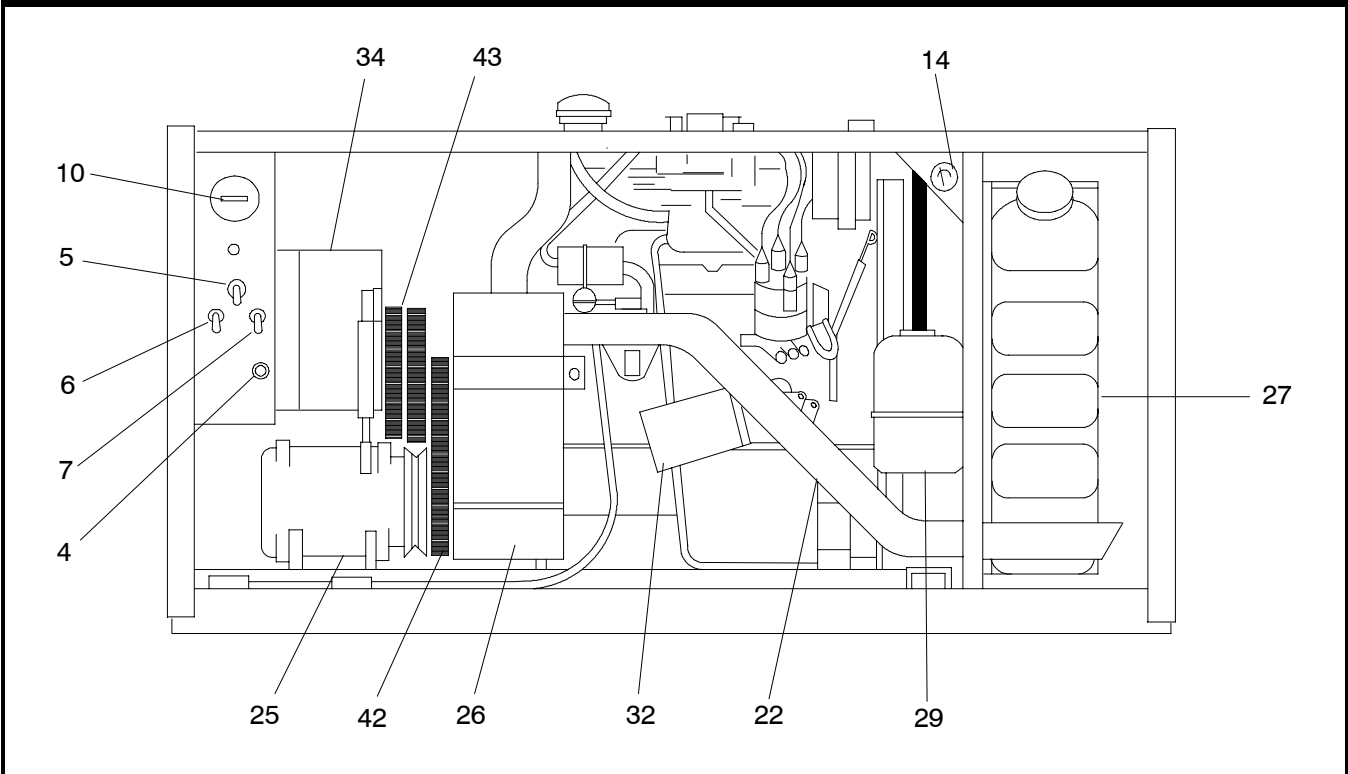
Item	Part Number	Description	Qty
29	AC501-315	Filter, Fuel, Inline	1
30	AC501-321	Cap, Oil Fill	1
31	AC501-326	Filter, Oil, (Kubota)	1
32	AC501-330	Element, Air Cleaner	1
33	AC501-400	Alternator, 130 AMP, 12 VDC	1
34	AC501-401	Regulator, 12 VDC, With Harness	1
35	AC061-283	Pulley, Alternator, (2) 1/2 Inch Grooves, 3.25 Inch, (165 AMP)	1
36	AC501-500	Pump, Fuel, 12 VDC	1
37	AC601-318	Sleeve, 4.2 X 3A X SD	1
38	AC601-319	Bushing, 1-7/16 SD	1
39	AC601-429	Belt, Compressor/Alternator	2
40	AC602-406	Belt, Compressor, DM-2 Only	1
41	AC601-500	Idler, Single Groove, DM-2 Only	1
42	AC801-601	Mount, Shock	1
43	AC201-601	Light, LED, Red, 12 VDC	2
44	AC501-334	Controller, Glow Plug	1
45	AC501-335	Cover, Thermostat Gasket	1

3.2.3 GAS POWERPAK, GM-1 & GM-2



Item	Part Number	Description	Qty
1	AC201-100	Breaker, Circuit, 20 AMP	REF
2	AC201-101	Breaker, Circuit, 30 AMP	REF
3	AC201-102	Breaker, Circuit, 50 AMP	REF
4	AC201-109	Breaker, Circuit, .5 AMP	1
5	AC202-301	Switch, Toggle, DPDT, (ON-OFF-ON)	1
6	AC201-302	Switch, Toggle, SPDT, (ON-OFF-MOM)	1
7	AC201-303	Switch, Toggle, SPST, (OFF-MOM)	1
8	AC201-403	Switch, Oil Pressure	1
9	AC201-600	Diode, In-Line, 6 AMP	1
10	AC201-700	Hourmeter	1
11	AC201-701	Gauge, Voltmeter, (Optional)	1
12	AC201-702	Gauge, Oil Pressure	1
13	AC201-703	Sender, Oil Pressure	1
14	AC201-707	Switch, Water Temperature Gauge	1
15	AC201-800	Solenoid, Contactor, 12 VDC	REF
16	AC201-805	Solenoid, Choke	1
17	AC201-806	Relay	REF
18	AC201-903	Board, Terminal, 6 Position	1
19	AC201-925	Board, Terminal, 10 Position	1
20	AC301-208	Hose, Radiator, Upper & Lower	2
21	AC301-209	Hose, Fuel, 5/15 Inch Inside Diameter X foot	9
22	AC301-215	Hose, Air Cleaner, Inlet & Outlet X Foot	3
23	AC301-218	Hose, Heater, 5/8 Inch ID X Foot	3
24	AC401-102	Blade, Fan, Plastic, 14 Inch	1
25	AC501-271A	Compressor, SD-709, 12 VDC, O-Ring	A/R
26	AC501-305	Air Cleaner	1

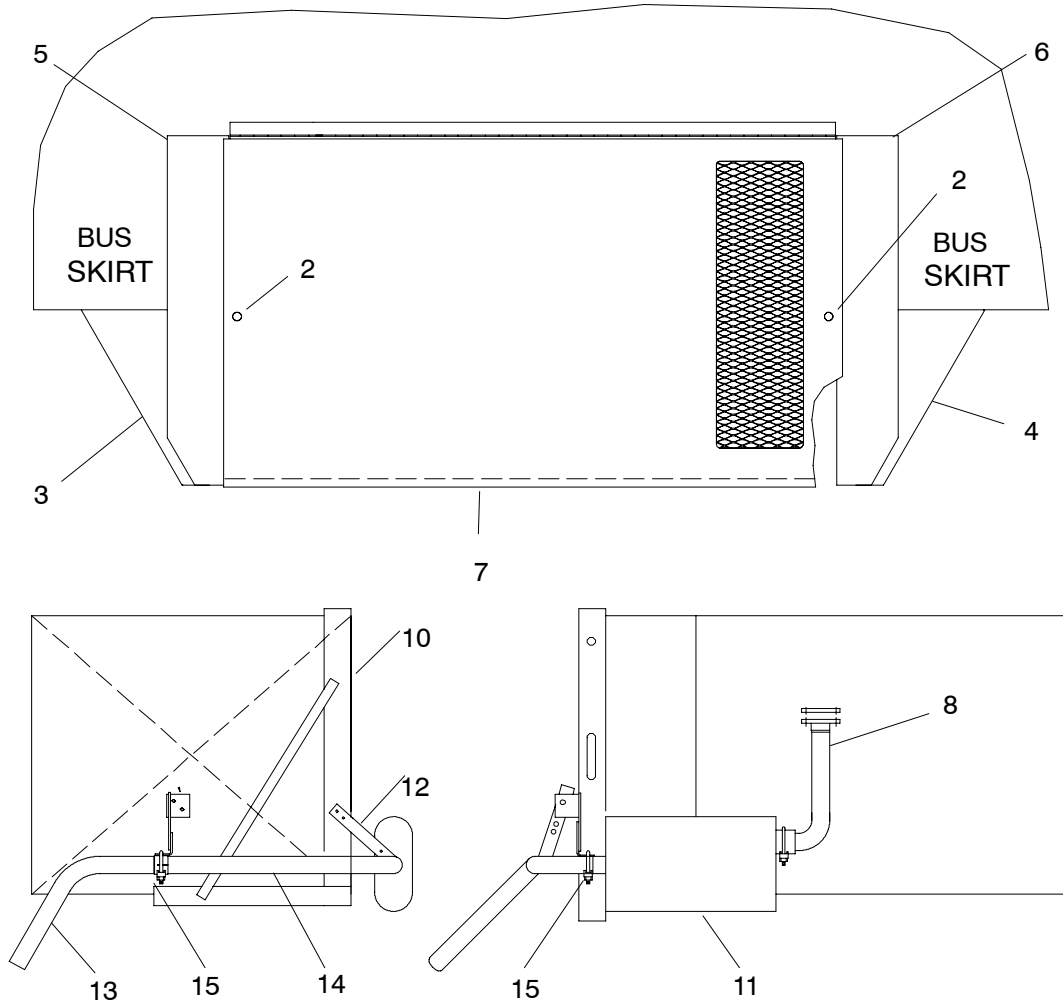
3.2.3 GAS POWERPAK, GM-1 & GM-2 - Continued



Item	Part Number	Description	Qty
27	AC501-308	Radiator	1
28	AC501-310	Pad, Radiator	4
29	AC501-314	Bottle, Coolant Recovery	1
30	AC501-315	Filter, Fuel, Inline	1
31	AC501-321	Cap, Oil Fill	1
32	AC501-326	Filter, Oil	1
33	AC501-330	Element, Air Cleaner	1
34	AC501-403	Alternator, 165 AMP, 12 VDC	REF
35	AC501-404	Regulator	1
36	AC501-405	Alternator, 100 AMP	REF
37	AC501-407	Pulley, Alternator, (2) 1/2 Inch Grooves, 2.69 Inch, (100 AMP)	REF
38	AC501-411	Pulley, Alternator, (2) 1/2 Inch Grooves, 3.25 Inch, (165 AMP)	REF
39	AC501-500	Pump, Fuel, 12 VDC	1
40	AC601-318	Sleeve, 4.2 X 3A X SD	1
41	AC601-319	Bushing, 1-7/16 SD	1
42	AC601-429	Belt, Compressor, GM-2 Only	1
43	AC602-430	Belt, Compressor/Alternator	2
44	AC601-447	Belt, Water Pump	1
45	AC601-500	Idler, Single Groove, GM-2 Only	1
46	AC801-601	Mount, Shock	1

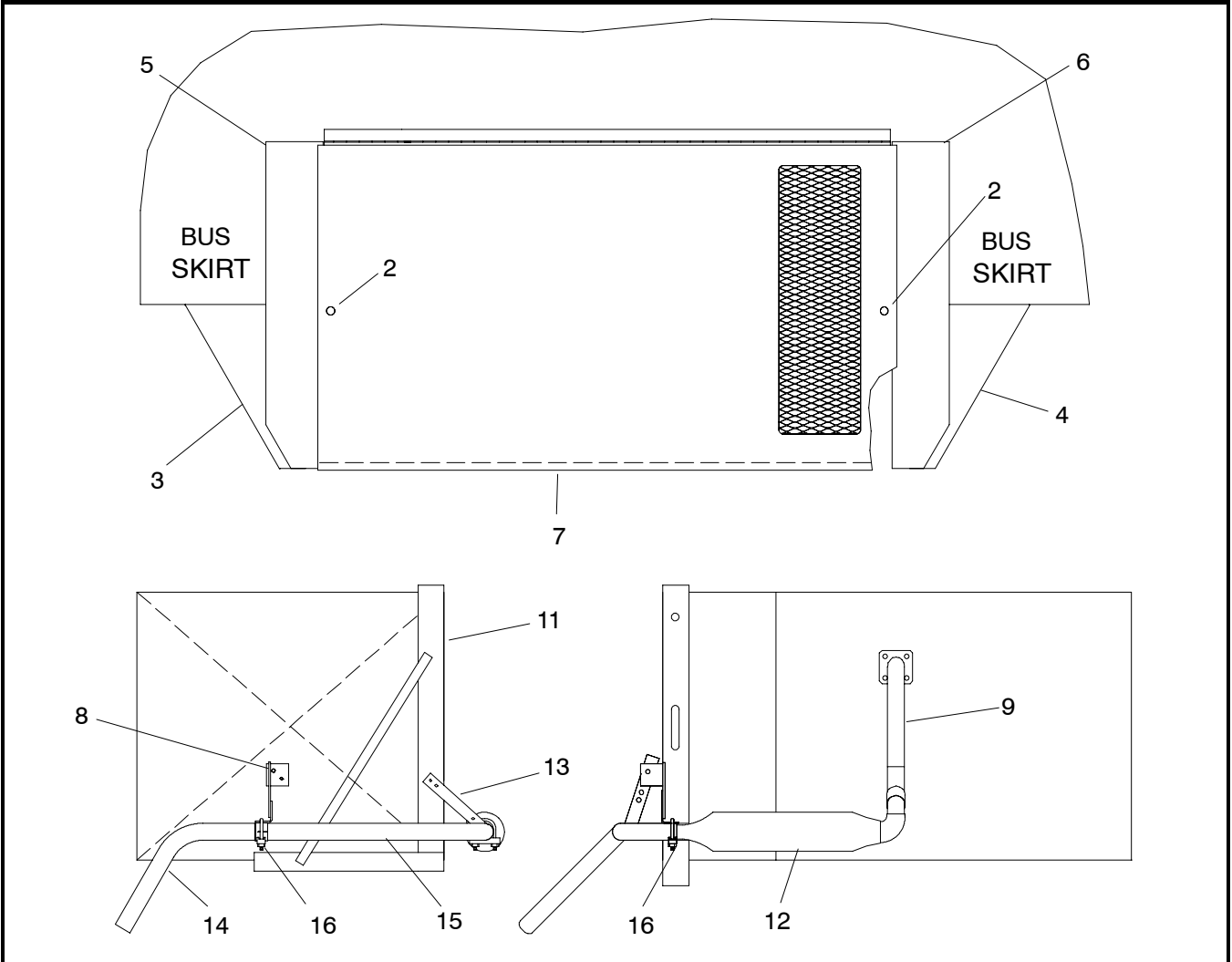
SECTION 3.3 INSTALLATION ACCESSORIES

3.3.1 INSTALLATION PIECES, DM-1, DM-2, CUMMINS DIESEL



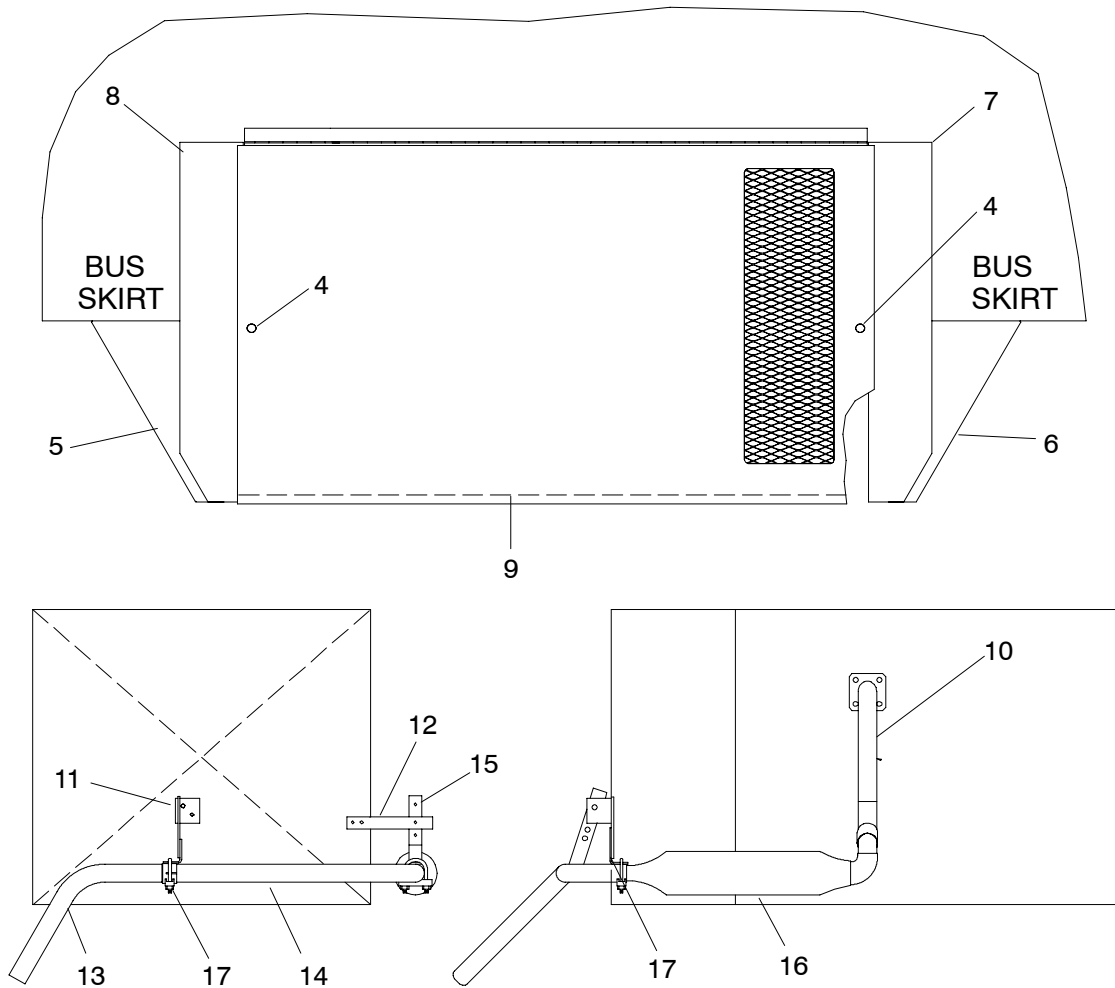
Item	Part Number	Description	Qty
1	AC061-092	Angle, Chassis Bolt	4
2	AC701-503	Latch, Door	2
3	AC063-021	Trim, Door, Left	1
4	AC063-022	Trim, Door, Right	1
5	AC063-023	Stiffner, Door Cut Out, Left	1
6	AC063-024	Stiffner, Door Cut Out, Right	1
7	AC063-073	Assembly, Door	1
8	AC063-074	Weldment, Exhaust	1
9	AC063-087P	Weldment, Hanger, Left	1
10	AC063-088P	Weldment, Hanger, Right	1
11	AC501-318	Muffler	1
12	AC501-320	Hanger, Exhaust	2
13	AC061-183	Pipe, EXhaust, 45°	1
14	AC061-184	Pipe, Exhaust, 90°	1
15	AC701-212	Clamp, Muffler, 1-1/2 Inch	3
16	AA06BS337	Bolt, Hex head, 5/8-11 X 5 Inch	4
17	34-01279-17	Washer, Flat, Structural, 5/8 Inch	4
18	34-00361-17	Nut, Hex, Lock, (ESNA), 5/8-11	4

3.3.2 INSTALLATION PIECES, DM-1, DM-2, KUBOTA DIESEL



Item	Part Number	Description	Qty
1	AC061-092	Angle, Chassis Bolt	4
2	AC701-503	Latch, Door	2
3	AC063-021	Trim, Door, Left	1
4	AC063-022	Trim, Door, Right	1
5	AC063-023	Stiffner, Door Cut Out, Left	1
6	AC063-024	Stiffner, Door Cut Out, Right	1
7	AC063-073	Assembly, Door	1
8	AC061-180P	Angle, Exhaust Hanger	1
9	AC061-189P	Weldment, Exhaust	1
10	AC063-087P	Weldment, Hanger, Left	1
11	AC063-088P	Weldment, Hanger, Right	1
12	AC061-185	Weldment, Muffler	1
13	AC501-320	Hanger, Exhaust	2
14	AC061-183	Pipe, EXhaust, 45°	1
15	AC061-184	Pipe, Exhaust, 90°	1
16	AC701-212	Clamp, Muffler, 1-1/2 Inch	3
17	AA06BS337	Bolt, Hex head, 5/8-11 X 5 Inch	4
18	34-01279-17	Washer, Flat, Structural, 5/8 Inch	4
19	34-00361-17	Nut, Hex, Lock, (ESNA), 5/8-11	4

3.3.3 INSTALLATION PIECES, GM-1, GM-2, GAS



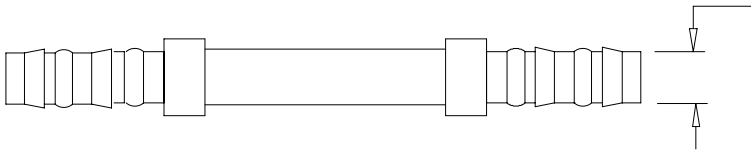
Item	Part Number	Description	Qty
1	AC060-133	Weldment, Hanger, Left	1
2	AC060-134	Weldment, Hanger, Right	1
3	AC061-092	Angle, Chassis Bolt	4
4	AC701-503	Latch, Door	2
5	AC063-021	Trim, Door, Left	1
6	AC063-022	Trim, Door, Right	1
7	AC061-169	Stiffner, Door Cut Out, Right	1
8	AC061-205	Stiffner, Door Cut Out, Left	1
9	AC061-215	Assembly, Door	1
10	AC060-176	Weldment, Exhaust Outlet	1
11	AC061-180P	Angle, Exhaust Hanger	1
12	AC061-181	Bar, Exhaust Hanger	1
13	AC061-183	Pipe, Exhaust, 45°	1
14	AC061-184	Pipe, Exhaust, 90°	1
15	AC501-320	Hanger, Exhaust	2
16	AC501-318	Muffler	1
17	AC701-212	Clamp, Muffler, 1-1/2 Inch	3
18	AA06BS337	Bolt, Hex head, 5/8-11 X 5 Inch	4
19	34-01279-17	Washer, Flat, Structural, 5/8 Inch	4
20	34-00361-17	Nut, Hex, Lock, (ESNA), 5/8-11	4

SECTION 4 - FITTINGS & HOSE

SECTION 4.1 FITTINGS

4.1.1 HOSE & FITTING - SIZE DETERMINATION

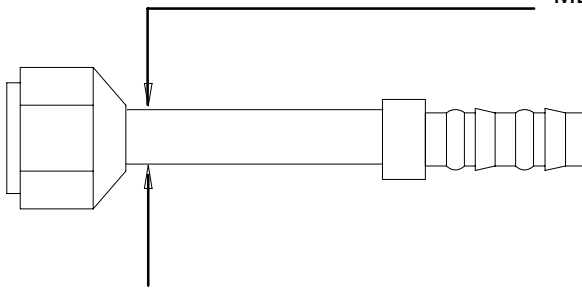
TO DETERMINE HOSE SIZE



MEASURE OUTER DIAMETER AT END OF FITTING, (NOT BARBS) TO DETERMINE HOSE SIZE (SEE CHART)

TUBE O.D.	HOSE SIZE
5/16" (7.93MM)	6
13/32" (10.5MM)	8
1/2" (12.7MM)	10
5/8" (16.1MM)	12
7/8" (22.22 MM)	16

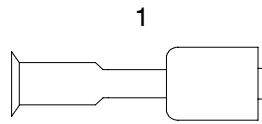
TO DETERMINE FITTING SIZE



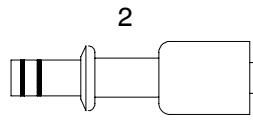
MEASURE OUTER DIAMETER JUST BEHIND NUT TO DETERMINE FITTING SIZE (SEE CHART)

TUBE O.D.	FITTING SIZE	THREAD SIZE
3/8"	6	5/8-18
1/2"	8	3/4-16
5/8"	10	7/8-14
3/4"	12	1 -1/16-14

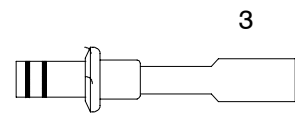
4.1.2 FITTINGS, FORD



FEMALE SPRING LOCK

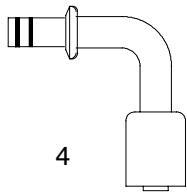


MALE SPRING LOCK

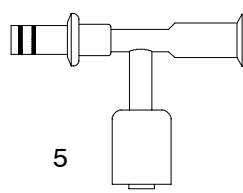


MALE-FEMALE SPRING LOCK

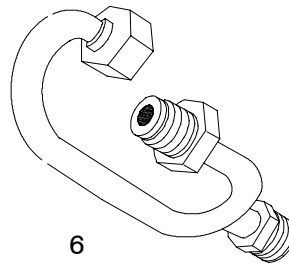
Item	Part Number	Description
1	AC301-493	Fitting, Straight, #6 Female, Spring-Lock X #6 Hose
	AC301-492	Fitting, Straight, #8 Female, Spring-Lock X #8 Hose
	AC302-470	Fitting, Straight, #8 Female, Spring-Lock X #10 Hose
	AC302-406	Fitting, Straight, #10 Female, Spring-Lock X #12 Hose
	AC302-469	Fitting, Straight, #12 Female, Spring-Lock X #12 Hose
2	AC302-420	Fitting, Straight, #8 Male, Spring-Lock X #8 Hose
	AC302-410	Fitting, Straight, #10 Male, Spring-Lock X #12 Hose
	AC302-468	Fitting, Straight, #12 Male, Spring-Lock X #12 Hose
3	AC302-423	Fitting, Straight, #10 FSL X #10 MSL with R12 Access Valve - NS
	AC302-462	Fitting, Straight, #12 Female Spring-Lock X #12 male Spring-Lock
	AC302-456	Fitting, Straight, #12 FSL X #12 MSL with R134a Suction Port - NS



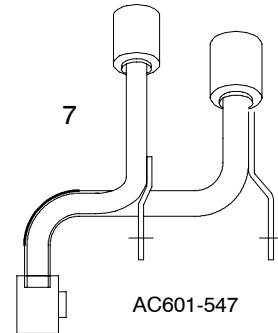
90 MALE SPRING LOCK



TEE, MALE-FEMALE
SPRING LOCK



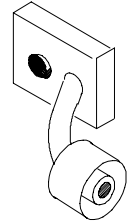
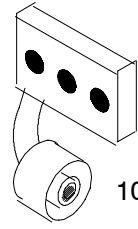
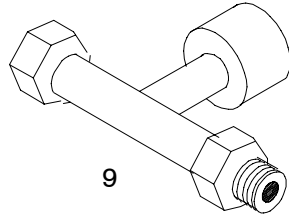
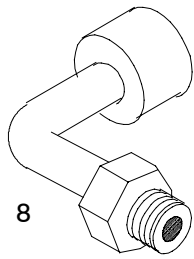
AC303-415



AC601-547

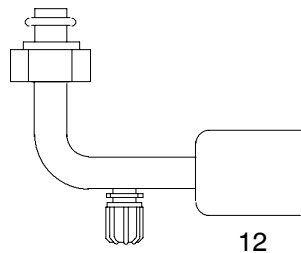
Item	Part Number	Description
4	AC302-403	Fitting, 90° #8 Male Spring-Lock X #8 Hose
	AC302-404	Fitting, 90° #8 MSL X #10 Hose with R12 Access Valve - NS
	AC302-444	Fitting, 90° #8 Male Spring-Lock X #10 Hose
5	AC302-427	Fitting, Tee #8 MSL X #8 FSL X #6 Hose
	AC302-409	Fitting, Tee #8 MSL X #8 FSL X #8 Hose
	AC303-405	Fitting, Tee #10 MSL X #10 FSL X #12 Hose
	AC302-460	Fitting, Tee #10 FSL X #12 Hose X #12 Hose
	AC302-461	Fitting, Tee #12 MSL X #12 Hose X #12 Hose
	AC302-442	Fitting, Tee 90° #10 MSL X #10 FSL X #12 Hose
	AC302-443	Fitting, Tee, 90° #12 MSL X #12 FSL X #12 Hose
6	AC303-415	Fitting, Suction Line, Factory Tie-In, #12 FIO X #12 MIO X #12 MIO
	40-50029-00	Fitting, Suction Line, Factory Tie-In, #12 FIO X #12 MIO X #10 MIO
7	AC601-547	Fitting, Manifold Assembly, with #10 and #12 Hose Connections (7.3 Ford)

4.1.3 FITTINGS, METRIC (CHEVROLET AND DODGE TIE-IN)



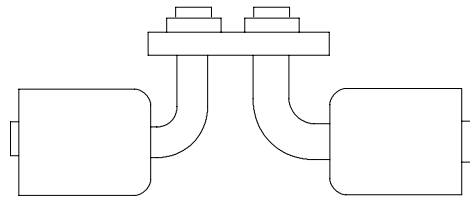
Item	Part Number	Description
N/S	AC302-464	Fitting, Straight, 27mm Female O-Ring X #12 Hose
8	AC302-473	Fitting, 90° 20mm Female O-Ring X #6 Hose
	AC302-431	Fitting, 90° 20mm Female O-Ring X #8 Hose
	AC302-481	Fitting, 90° 20mm Female O-Ring X #10 Hose with Access Port
	AC302-430	Fitting, 90° 20mm Male Insert O-Ring X #10 Hose with Access Port
	AC302-474	Fitting, 90° 24mm Female O-Ring X #10 Hose
9	AC302-433	Fitting, Tee, 20mm Female O-Ring X 20mm Male Insert O-Ring X #8 Hose
	AC302-457	Fitting, Tee, 22mm Female O-Ring X 22mm Male Insert O-Ring X #10 Hose
	AC302-452	Fitting, Tee, 22mm Female O-Ring X 22mm Male Insert O-Ring X #12 Hose
	AC302-429	Fitting, Tee, 27mm Female O-Ring X 27mm Male Insert O-Ring X #12 Hose
N/S	40-62018-01	Fitting, Tee, 20mm Female O-Ring X 20mm M.I. O-Ring X 3/4-16 M.I.O.R
	40-62018-00	Fitting, Tee, 27mm Female O-Ring X 27mm M.I. O-Ring X 7/8-14 M.I.O.R
N/S	AC301-470	Fitting, Block, #6 Hose, (Dodge Condenser)
N/S	AC301-470A	Gasket, use with AC301-470, (Dodge Block)
10	AC302-435	Fitting, Block, #6 Hose with Gasket (1994 Dodge)
11	AC301-491	Fitting, Block, #6 Hose with Gasket (Dodge Receiver/Drier)
N/S	AC302-496	Fitting, Block, #8 Hose with Gasket, (Dodge)

4.1.4 FITTING, BEADLOCK, WITH ACCESS VALVE

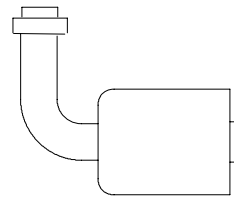


Item	Part Number	Description
12	AC302-494	Fitting, 90°, 1/2 Inch Female O-Ring X #10 Hose (R134a)
	AC302-482	Fitting, 90°, 5/8 Inch Female O-Ring X #10 Hose (R134a)
	AC302-495	Fitting, 90°, 5/8 Inch Female O-Ring X #12 Hose (R134a)
	AC302-483	Fitting, 90°, 3/4 Inch Female O-Ring X #12 Hose (R134a)
	AC301-490	Fitting, 90°, 1/2 Inch Female O-Ring X #8 Hose (R12)
	AC302-402	Fitting, 90°, 1/2 Inch Female O-Ring X #10 Hose (R12)
	AC301-449	Fitting, 90°, 1/2 Inch Female O-Ring X #12 Hose (R12)

4.1.5 FITTING, A-6 COMPRESSOR, (GM STYLE)



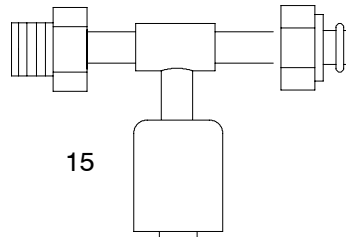
13



14

Item	Part Number	Description
13	AC301-488	Fitting, 90°, #8 Hose and #12 Hose, Dual Swivel
14	AC302-498	Fitting, 90°, (Single) X #10 Bead-Loc Hose
	AC302-499	Fitting, 90°, (Single) X #12 Bead-Loc Hose

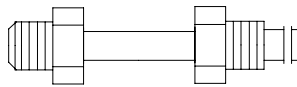
4.1.6 FITTINGS, TEE



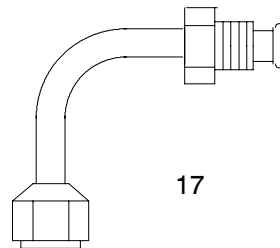
15

Item	Part Number	Description
15	AC301-439	Fitting, #10 Hose X #10 Hose X 1/2 Inch Female Flare
	AC301-440	Fitting, #12 Hose X #12 Hose X 5/8 Inch Female Flare
	AC301-468	Fitting, 3/8 inch Female O-Ring X 3/8 Inch Male Insert O-Ring X #6 Hose
	AC302-443	Fitting, 3/8 inch Female O-Ring X 3/8 Inch Male Insert O-Ring X #8 Hose
	AC302-400	Fitting, 1/2 inch Female O-Ring X 1/2 Inch Male Insert O-Ring X #6 Hose
	AC301-495	Fitting, 1/2 inch Female O-Ring X 1/2 Inch Male Insert O-Ring X #8 Hose
	AC302-434	Fitting, 5/8 inch Female O-Ring X 5/8 Inch Male Insert O-Ring X #12 Hose
	AC302-401	Fitting, 3/4 inch Female O-Ring X 3/4 Inch Male Insert O-Ring X #10 Hose
	AC301-494	Fitting, 3/4 inch Female O-Ring X 3/4 Inch Male Insert O-Ring X #12 Hose

4.1.7 FITTING, FLARE TO O-RING



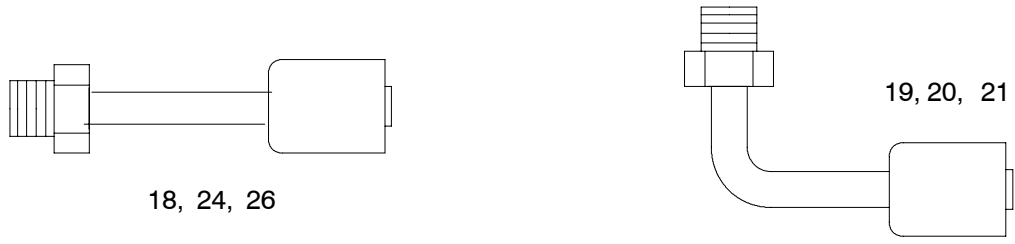
16



17

Item	Part Number	Description
16	AC301-459	Fitting, Straight, 3/8 Inch Male O-Ring X 3/8 inch Male Flare
17	AC301-460	Fitting, 90°, 5/8 Inch Male O-Ring X 5/8 inch Female Flare

4.1.8 FITTING, BEADLOCK, MALE INSERT O-RING



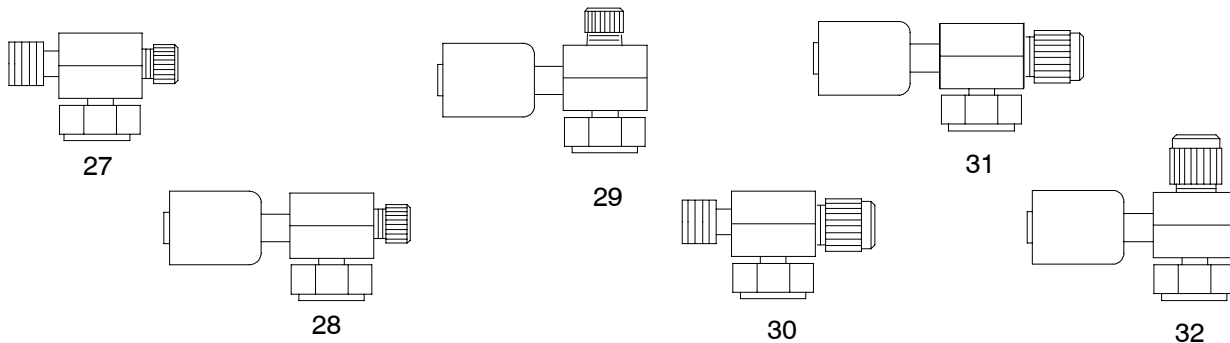
Item	Part Number	Description
18	AC302-476	Fitting, Straight, #8 Male Insert O-Ring X #8 Hose
19	AC301-487	Fitting, 90°, 1/2 Inch Male Insert O-Ring X #8 Hose
20	AC301-442	Fitting, 90°, 1/2 Inch Male Insert O-Ring X #10 Hose
21	AC301-475	Fitting, 90°, 5/8 Inch Male Insert O-Ring X #10 Hose

4.1.9 FITTING, BEADLOCK, BULKHEAD



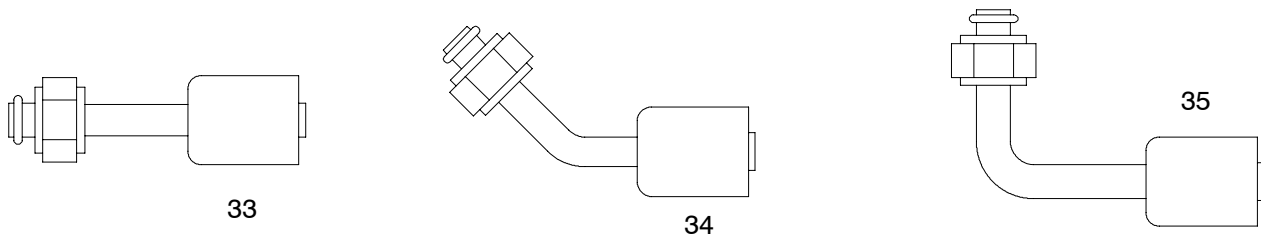
22	AC301-436	Fitting, 1/2 Inch Male Flare X #8 Hose, (Bulkhead)
23	AC302-486	Fitting, 5/8 Inch male Flare X #10 Hose, (Bulkhead)
24	40-62013-00	Fitting, Straight, 1/2 Inch Male Insert O-Ring X #8 Hose, (Bulkhead)
25	40-62013-01	Fitting, Straight, 5/8 Inch Male Insert O-Ring X #10 Hose, (Bulkhead)
26	40-62013-02	Fitting, Straight, 5/8 Inch Male Insert O-Ring X #12 Hos, (Bulkhead)

4.1.10 FITTING, TUBE-O, R12 AND R134a



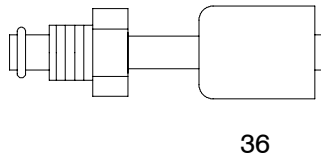
Item	Part Number	Description
27	AC301-457	Fitting, Tube-O X 1/2 Inch O-Ring with Access (R12)
	AC301-458	Fitting, Tube-O X 5/8 Inch O-Ring with Access (R12)
28	AC302-424	Fitting, Tube-O X #12 Hose with Access (R12)
	AC302-425	Fitting, Tube-O X #10 Hose with Access (R12)
29	AC302-471	Fitting, Tube-O X #10 Hose with Top Access (R12)
	AC302-472	Fitting, Tube-O X #12 Hose with Top Access (R12)
30	AC302-453	Fitting, Tube-O X 1/2 Inch O-Ring with Access (R134a)
	AC302-454	Fitting, Tube-O X 5/8 Inch O-Ring with Access (R134a)
31	AC303-403	Fitting, Tube-O X #8 Hose with Access (R134a)
32	AC302-466	Fitting, Tube-O X #10 Hose with Top Access (R134a)
	AC302-467	Fitting, Tube-O X #12 Hose with Top Access (R134a)

4.1.11 FITTING, BEADLOCK, FEMALE O-RING

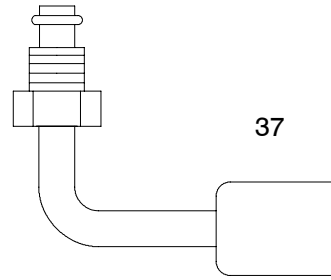


Item	Part Number	Description
33	AC301-463	Fitting, Straight, 3/8 Inch Female O-Ring X #6 Hose
	AC301-464	Fitting, Straight, 3/8 Inch Female O-Ring X #8 Hose
	AC301-482	Fitting, Straight, 1/2 Inch Female O-Ring X #8 Hose
	AC301-447	Fitting, Straight, 1/2 Inch Female O-Ring X #10 Hose
	AC301-483	Fitting, Straight, 5/8 Inch Female O-Ring X #10 Hose
	AC302-459	Fitting, Straight, 5/8 Inch Female O-Ring X #12 Hose
	AC301-497	Fitting, Straight, 3/4 Inch Female O-Ring X #12 Hose
34	AC301-484	Fitting, 45°, 3/8 Inch Female O-Ring X #6 Hose
35	AC301-462	Fitting, 90°, 3/8 Inch Female O-Ring X #6 Hose
	AC301-433	Fitting, 90°, 3/8 Inch Female O-Ring X #8 Hose
	AC302-426	Fitting, 90°, 1/2 Inch Female O-Ring X #6 Hose
	AC301-418	Fitting, 90°, 1/2 Inch Female O-Ring X #8 Hose
	AC301-419	Fitting, 90°, 1/2 Inch Female O-Ring X #10 Hose
	AC301-473	Fitting, 90°, 5/8 Inch Female O-Ring X #10 Hose
	AC302-432	Fitting, 90°, 5/8 Inch Female O-Ring X #12 Hose
	AC302-465	Fitting, 90°, 3/4 Inch Female O-Ring X #12 Hose

4.1.12 FITTING, BEADLOCK, MALE O-RING



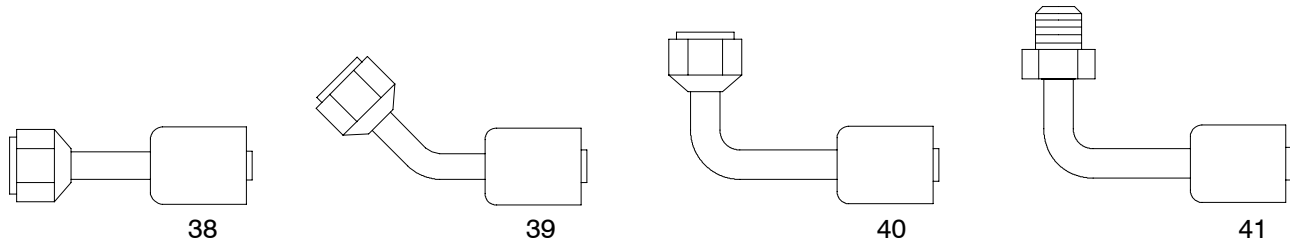
36



37

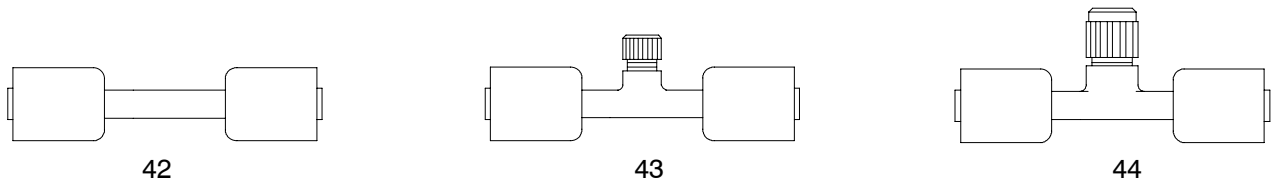
Item	Part Number	Description
36	AC301-423	Fitting, Straight, 3/8 Inch Male O-Ring X #6 Hose
	AC301-465	Fitting, Straight, 3/8 Inch Male O-Ring X #8 Hose
	AC302-475	Fitting, Straight, 1/2 Inch Male O-Ring X #10 Hose
	AC301-421	Fitting, Straight, 5/8 Inch Male O-Ring X #10 Hose
	AC301-435	Fitting, Straight, 5/8 Inch Male O-Ring X #12 Hose
37	AC301-424	Fitting, 90°, 3/8 Inch Male O-Ring X #6 Hose
	AC301-403	Fitting, 90°, 3/8 Inch Male O-Ring X #8 Hose
	AC301-498	Fitting, 90°, 1/2 Inch Male O-Ring X #8 Hose
	AC302-484	Fitting, 90°, 1/2 Inch Male O-Ring X #10 Hose
	AC301-422	Fitting, 90°, 5/8 Inch Male O-Ring X #10 Hose
	AC301-404	Fitting, 90°, 5/8 Inch Male O-Ring X #12 Hose

4.1.13 FITTING, BEADLOCK, FLARE



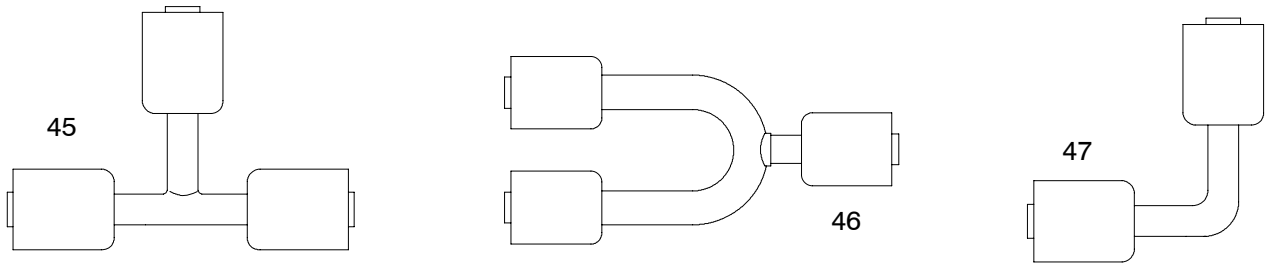
Item	Part Number	Description
38	AC301-428	Fitting, Straight, 3/8 Inch Female Flare X #6 Hose
	AC301-417	Fitting, Straight, 3/8 Inch Female Flare X #8 Hose
	AC301-427	Fitting, Straight, 1/2 Inch Female Flare X #6 Hose
	AC301-400	Fitting, Straight, 1/2 Inch Female Flare X #8 Hose
	AC301-405	Fitting, Straight, 1/2 Inch Female Flare X #10 Hose
	AC301-466	Fitting, Straight, 5/8 Inch Female Flare X #10 Hose
	AC301-456	Fitting, Straight, 5/8 Inch Female Flare X #12 Hose
	AC301-467	Fitting, Straight, 3/4 Inch Female Flare X #12 Hose
39	AC301-438	Fitting, Elbow, 45°, 1/2 Inch Female Flare X #8 Hose
	AC301-496	Fitting, Elbow, 45°, 1/2 Inch Female Flare X #10 Hose
40	AC301-431	Fitting, Elbow, 90°, 3/8 Inch Female Flare X #6 Hose
	AC301-420	Fitting, Elbow, 90°, 3/8 Inch Female Flare X #8 Hose
	AC301-469	Fitting, Elbow, 90°, 1/2 Inch Female Flare X #6 Hose
	AC301-426	Fitting, Elbow, 90°, 1/2 inch Female Flare X #8 Hose
	AC301-406	Fitting, Elbow, 90°, 1/2 Inch Female Flare X #10 Hose
	AC301-425	Fitting, Elbow, 90°, 5/8 Inch Female Flare X #10 Hose
	AC301-407	Fitting, Elbow, 90°, 5/8 Inch Female Flare X #12 Hose
	AC301-461	Fitting, Elbow, 90°, 3/4 Inch Female Flare X #12 Hose
41	AC301-499	Fitting, Elbow, 90°, 3/8 Inch Male Flare X #6 Hose
	AC301-401	Fitting, Elbow, 90°, 1/2 Inch Male Flare X #8 Hose
	AC301-402	Fitting, Elbow, 90°, 5/8 Inch Male Flare X #10 Hose

4.1.14 FITTING, BEADLOCK, SPLICERS, STRAIGHT



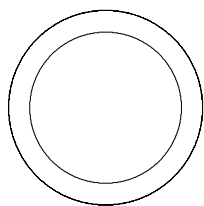
Item	Part Number	Description
42	AC301-450	Fitting, Straight, #6 Hose X #6 Hose
	AC301-412	Fitting, Straight, #8 Hose X #8 Hose
	AC301-413	Fitting, Straight, #10 Hose X #10 Hose
	AC301-414	Fitting, Straight, #12 Hose X #12 Hose
	AC301-455	Fitting, Straight, #6 Hose X #8 Hose
	AC301-410	Fitting, Straight, #8 Hose X #10 Hose
	AC301-411	Fitting, Straight, #10 Hose X #12 Hose
	AC301-437	Fitting, Straight, #12 Hose X #16 Hose
	AC302-421	Fitting, Straight, #16 Hose X #16 Hose
43	AC301-474	Fitting, Straight, #6 Hose X #6 Hose, With R12 Access Valve
	AC301-415	Fitting, Straight, #8 Hose X #8 Hose, With R12 Access Valve
	AC301-445	Fitting, Straight, #10 Hose X #10 Hose, With R12 Access Valve
	AC301-446	Fitting, Straight, #12 Hose X #12 Hose, With R12 Access Valve
	AC301-481	Fitting, Straight, #8 Hose X #10 Hose, With R12 Access Valve
44	AC302-437	Fitting, Straight, #10 Hose X #10 Hose, With R134a Access Valve
	AC302-436	Fitting, Straight, #12 Hose X #12 Hose, With R134a Access Valve

4.1.15 FITTING, BEADLOCK, SPLICERS, OTHER

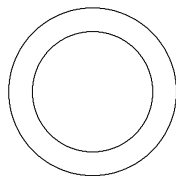


45	AC301-444	Fitting, "T", #6 Hose X #6 Hose X #6 Hose
	AC301-432	Fitting, "T", #8 Hose X #8 Hose X #8 Hose
	AC301-430	Fitting, "T", #10 Hose X #10 Hose X #10 Hose
	AC301-429	Fitting, "T", #12 Hose X #12 Hose X #12 Hose
	AC301-472	Fitting, "T", #6 Hose X #6 Hose X #8 Hose
	AC301-408	Fitting, "T", #8 Hose X #8 Hose X #6 Hose
	AC301-471	Fitting, "T", #8 Hose X #8 Hose X #10 Hose
	AC301-409	Fitting, "T", #12 Hose X #12 Hose X #10 Hose
	AC301-489	Fitting, "T", 5/16 Nylon X 5/16 Nylon X #6 Hose
46	AC301-451	Fitting, "Y", #8 Hose X #8 Hose X #8 Hose
	AC301-434	Fitting, "Y", #10 Hose X #10 Hose X #10 Hose
	AC301-448	Fitting, "Y", #12 Hose X #12 Hose X #12 Hose
47	AC301-485	Fitting, 90, #8 Hose X #8 Hose
	AC301-476	Fitting, 90, #12 Hose X #12 Hose

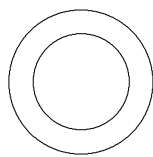
4.1.16 "O"-RINGS, HNBR



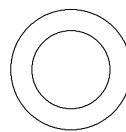
5



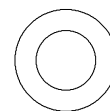
4



3



2

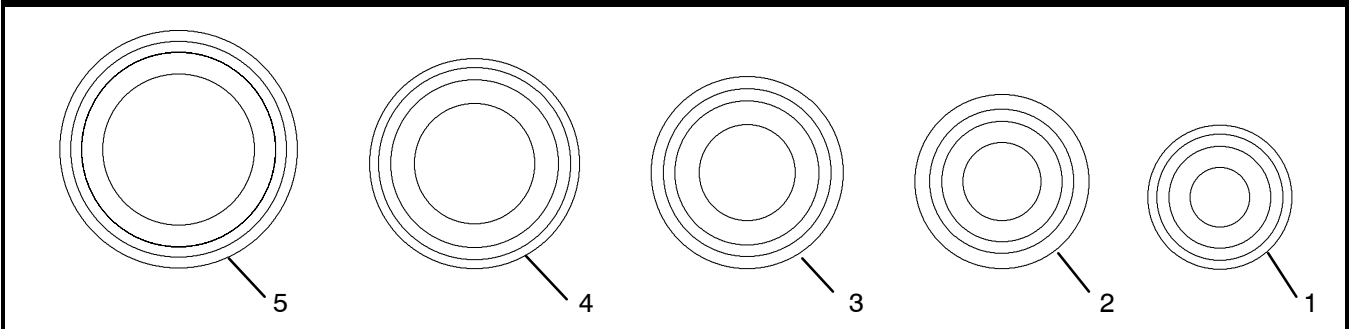


1

Item	Part Number	Description
1	AC801-201	O-Ring, Inch, HNBR, .301 I.D.
2	AC801-202	O-Ring, 1/2 Inch, HNBR, .426 I.D.
3	AC801-203	O-Ring, 5/8 Inch, HNBR, .551 I.D.
4	AC801-207	O-Ring, HNBR, .556 I.D.
5	AC801-217	O-Ring, HNBR, .676 I.D.
6	AC801-222	O-Ring, HNBR, Seltec/Sanden Manifold
7	42-00243-21	O-Ring, HNBR, A-6 Replacement, .796 I.D.

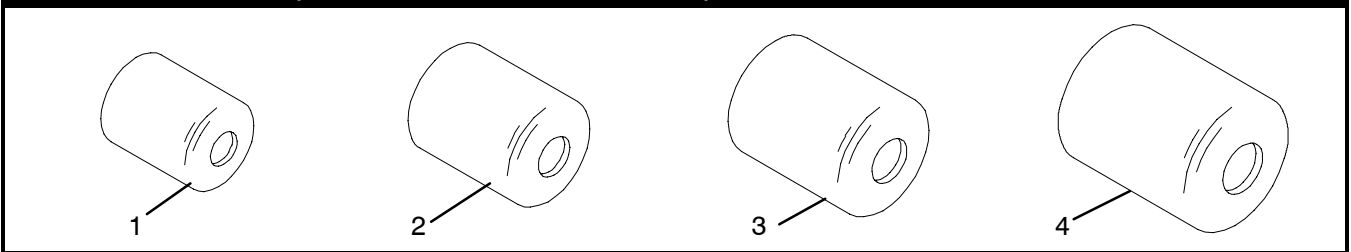
SECTION 4.2 REFRIGERANT HOSE AND CLAMPS

4.2.1 REFRIGERANT HOSE - BARRIER



Item	Part Number	Description
1	AC301-100F50	Hose, Double Braid, Barrier, #6, (5/16 Inch ID X 3/4 Inch OD)
2	AC301-101F50	Hose, Double Braid, Barrier, #8, (13/32 Inch ID X 29/32 Inch OD)
3	AC301-102F50	Hose, Double Braid, Barrier, #10, (1/2 Inch ID X 1 Inch OD)
4	AC301-103F50	Hose, Double Braid, Barrier, #12, (5/8 Inch ID X 1-3/32 Inch OD)
5	NLA	Hose, Double Braid, Barrier, #16, (7/8 Inch ID X 1-3/8 Inch OD) R-12 (AC301-104)

4.2.2 FERRULES - (BARRIER TYPE HOSE CLAMPS)



1	AC701-216	Ferrule, #6, Long
2	AC701-213	Ferrule, #8, Long
3	AC701-214	Ferrule, #10, Long
4	AC701-215	Ferrule, #12, Long

PART NUMBER INDEX

PART NO.	PAGE NO.	PART NO.	PAGE NO.	PART NO.	PAGE NO.
08-62005-00,	44	22-50078-22,	44	34-06212-13,	47
08-62029-00,	58	22-50078-23,	44	34-50041-00,	35
08-62029-01,	58	22-50078-49L,	44	34-50057-00,	35
08-62033-00,	35	22-62142-00,	35	34-62015-00,	58
10-00300-00,	44	24-02-11-153,	55	34-62022-00,	58
10-60-03-026,	55	24-02-11-201,	57	34-62046-00,	35
10-60-03-027,	55	24-04-02-005,	55, 57	38-00558-00,	23, 25, 26
10-60-03-028,	55	24-06-01-026,	55, 57	38-00567-00,	58
10-60-03-029,	55	28-02-05-013,	55, 57, 58	38-00573-00,	33
10-60-15-080,	55, 57	28-02-10-015,	55, 58	38-00573-07,	13, 14
10-60-22-023,	57	28-23-01-024,	55, 57	40-00060-01,	35
10-60-22-033,	57	28-02-10-015-01,	57	40-00090-04,	35
10-60-22-048,	57	32-10-10-500,	55, 57	40-00097-10,	46
10-60-71-003,	55	32-13-05-001,	55, 57	40-00169-33,	47
10-63-01-010,	57	32-15-11-005,	55, 57	40-00491-00,	38, 44
10-63-01-013,	55	32-23-26-236,	55, 57	40-00491-03,	27
12-00299-11,	44	32-24-01-010,	55, 57	40-00491-09,	27, 38, 45, 46
12-01132-00,	44	32-24-01-013,	55, 57	40-00501-05,	46, 58
14-00026-04,	58	32-24-01-016,	55, 57	40-00501-06,	53
14-00029-07,	44	32-24-01-034,	55, 57	40-00501-50,	47, 53
14-00150-14,	35	32-24-01-039,	55, 57	40-50029-00,	70
14-00150-50,	35	34-00361-11,	46	40-62013-00,	73
14-00200-00,	46	34-00361-13,	18	40-62013-01,	73
14-00288-00,	43, 49, 52	34-00361-17,	66, 67, 68	40-62013-02,	73
14-00301-03,	4, 5, 7, 11, 12, 14, 17, 19, 21, 26, 29, 30	34-00368-12,	46	40-62018-00,	71
14-00320-00,	58	34-00368-13,	18	40-62018-01,	71
14-01032-01,	47	34-00588-13,	18	40-62032-01,	35
14-01105-00,	53	34-00655-22,	46	40-62032-02,	35, 47
15-07-12-001,	57	34-00655-24,	47	40-62065-00,	35
15-07-12-002,	55	34-00663-11,	46	42-00243-00,	38, 45
17-31205-00,	55, 57	34-00666-12,	46	42-00243-03,	38, 45
20-44-1659,	62	34-00677-10,	46	42-00243-21,	78
21-03-51-025,	55, 57	34-00733-05,	35	42-62072-00,	35
21-10-01-001,	55, 57	34-00792-08,	47	42-62073-00,	35
22-02336-06,	44	34-00792-12,	46	42-62074-00,	35
22-02567-00,	35	34-00928-12,	35	42-62076-00,	35
22-05-15-100,	55, 57	34-00971-02,	18	42-62077-00,	35
22-05-15-305,	55, 57	34-01279-17,	66, 67, 68	42-62078-00,	35
		34-01310-01,	7, 9, 12	44-00285-72,	50, 53
		34-06088-01,	27	44-00285-82,	46
		34-06212-12,	46	44-50024-00,	40, 42

PART NUMBER INDEX

PART NO.	PAGE NO.	PART NO.	PAGE NO.	PART NO.	PAGE NO.
54-00546-03,	33, 35, 38	68-63210-00,	35	AC010-113,	41
54-00618-01,	40, 42	68RM35-1122,	47	AC010-114,	43
54-50070-00,	4, 19	68RT10-1462,	46	AC010-198,	24
54-50079-00,	11, 14, 26	75-47-05-115,	57	AC011-018,	16
54-50080-00,	40, 42	75-47-05-117,	55, 57	AC011-026,	2, 5, 15
56-00142-24,	47	75-47-05-403,	55	AC011-078,	16
56-00143-36,	46	76-62019-00,	4, 7, 11, 12, 14, 17, 19, 21, 26	AC011-079,	16
56-00143-47,	47			AC011-080,	16
56-00143-75,	47	76-62028-00,	49	AC011-081,	16
56-62010-00,	46	76-62029-00,	52	AC011-081-1,	16
56-62011-00,	46	79-62070-00,	30	AC011-081-2,	16
56-62215-00,	35	79-62070-01,	30	AC011-082,	16
56-62216-00,	35	79-62071-00,	7	AC011-082-1,	16
56-62217-00,	35	79-62072-00,	12	AC011-082-2,	16
58-01379-00,	1, 4, 10, 11, 13, 14	79-62072-01,	12	AC020-003,	1, 10
58-01386-00,	2, 5, 9, 18, 31	79-62073-00,	17	AC020-005-1,	1, 4, 10, 11, 19, 28, 29
58-62016-00,	58	79-62073-01,	17	AC020-009,	7, 9, 12, 21, 30
58-62042-00,	37	79-62074-00,	21	AC020-012,	1, 10
62-62032-00,	37	79-62075-00,	8	AC020-013,	1, 10, 13, 24
62-62039-00,	35, 47	79-62075-01,	8	AC020-028,	17, 18
65-01035-01,	47	79-62076-00,	22	AC020-040,	1, 2, 10
65-62002-00,	58	79-62076-01,	22	AC020-048,	13
66U1-1224-24,	27	81-04051-00,	35	AC020-057,	1
66U1-1224-7,	27	81-62003-00,	46	AC020-058,	10
66U1-3882,	35	81-62003-01,	46	AC020-068,	13
68-15461-00,	42	81-62019-00,	26	AC020-069,	13, 14, 16
68-62287-00,	49	81-62062-00,	44	AC020-071,	13
68-62288-00,	52	86-62024-00,	46	AC020-072,	13
68-62574-00,	30	86-62216-01,	55, 57	AC020-075,	2
68-62579-01,	30	86-62239-00,	37	AC020-079,	2
68-62580-00,	16	86-62240-00,	37	AC020-089,	2
68-62580-01,	16	86-62241-00,	35, 37	AC020-094,	19, 21
68-62882-00,	35	86-62242-00,	37	AC020-105,	28
68-62883-00,	35			AC020-118,	28
68-62884-00,	35			AC020-120,	23, 25
68-62885-00,	35			AC020-121,	28
68-62886-00,	35			AC020-126,	14, 23, 25
68-62904-00,	35			AC020-129,	28
68-63157-00,	35			AC020-131,	13
				AC020-145,	1

A

AA06BS337,	66, 67, 68
AC010-072,	13
AC010-112,	39

PART NUMBER INDEX

PART NO.	PAGE NO.	PART NO.	PAGE NO.	PART NO.	PAGE NO.
AC020-146,	10	AC021-178,	26	AC021-396,	27
AC020-171P,	3, 6, 20, 24	AC021-180,	4	AC021-601,	4, 5, 11
AC020-172,	3, 6, 24	AC021-181,	14	AC021-609,	14
AC020-174,	3, 6, 8, 24	AC021-191,	26	AC022-217,	7, 12
AC020-176,	3	AC021-195,	26	AC022-228,	7, 12
AC020-177,	3, 24	AC021-196,	19, 21	AC022-251,	7, 12
AC020-179P,	3, 8, 22	AC021-202,	29	AC022-252,	17
AC020-187,	3	AC021-203,	29	AC022-253P,	21
AC020-199,	24	AC021-207,	29	AC022-254,	30
AC020-215,	1, 10	AC021-208,	29	AC022-282,	7, 12
AC020-253,	28, 29	AC021-209,	15	AC022-282-1,	7, 12
AC021-003,	4	AC021-210,	15	AC022-282-2,	7, 12
AC021-004,	11	AC021-218,	29	AC022-283,	17
AC021-007,	4	AC021-220,	29	AC022-283-1,	17
AC021-008,	11	AC021-223,	8, 22	AC022-283-2,	17
AC021-012,	14	AC021-229,	15	AC022-284,	21
AC021-020,	6	AC021-230,	15	AC022-284-1,	21
AC021-036,	19, 20	AC021-239,	15	AC022-284-2,	21
AC021-059,	29	AC021-240,	15	AC022-286-1,	8
AC021-060,	29	AC021-244,	14	AC022-286-2,	8
AC021-076,	29	AC021-256,	11	AC022-287,	12
AC021-102,	5	AC021-262P,	20	AC022-289,	8, 17, 21
AC021-109,	4, 11	AC021-277,	20	AC022-290P,	8
AC021-113,	1, 2, 4, 10, 11, 23, 25	AC021-278,	20, 22	AC022-291,	30
AC021-114,	4, 5, 11	AC021-280,	20	AC022-292,	8
AC021-125,	13, 14	AC021-283,	38	AC022-293-1,	22
AC021-126,	14	AC021-298,	38	AC022-293-2,	22
AC021-140,	14	AC021-299,	38	AC022-295P,	22
AC021-142,	14, 19, 26	AC021-300,	38	AC022-297,	22
AC021-146,	5	AC021-301,	38	AC022-298,	9
AC021-148,	5	AC021-302,	38	AC022-302,	9
AC021-149,	26	AC021-306,	38	AC022-304,	18
AC021-150,	19	AC021-307,	19, 26	AC022-310-S,	7, 12
AC021-152,	5, 9	AC021-311,	38	AC022-313,	7, 35
AC021-154-1,	6	AC021-318,	27	AC022-314,	17
AC021-157P,	6	AC021-321,	19	AC022-316,	30
AC021-158,	26	AC021-323,	14	AC022-318,	12
AC021-171,	19	AC021-326,	14	AC022-320-S,	17
AC021-176,	19	AC021-356,	27	AC022-321-S,	17
		AC021-394,	27	AC022-324,	17
				AC022-325,	21

PART NUMBER INDEX

PART NO.	PAGE NO.	PART NO.	PAGE NO.	PART NO.	PAGE NO.
AC022-326,	30	AC030-028,	43	AC030-268,	50
AC022-327P,	9	AC030-032,	43	AC030-269,	53
AC022-331P,	9	AC030-052,	48	AC030-313,	44
AC022-332,	18	AC030-053,	48	AC030-314,	44
AC022-333,	18	AC030-056,	48	AC030-315,	44
AC022-335-S,	21	AC030-072,	39	AC030-332,	44
AC022-338-S,	30	AC030-073,	41	AC030-333P,	44
AC022-339-S,	30	AC030-075,	39, 41, 43, 49, 52	AC030-334,	44
AC022-342P,	18	AC030-076P,	39	AC030-335,	44
AC022-346-S,	7	AC030-078,	43	AC030-336,	44
AC022-347-S,	12	AC030-080,	39	AC030-337,	44
AC022-348-S,	17	AC030-081,	41	AC030-340,	44
AC022-349-S,	21	AC030-082,	43	AC031-005,	49
AC022-350-S,	30	AC030-083,	51	AC031-016,	49, 52
AC022-351-S,	7	AC030-087,	51	AC031-018,	49
AC022-354-S,	21	AC030-088,	51	AC031-019,	49
AC022-390,	30	AC030-092,	51	AC031-020,	49, 52
AC022-453,	12	AC030-095,	51	AC031-021,	49, 52
AC022-454,	17	AC030-103,	51	AC031-029,	49, 52
AC022-455,	21	AC030-117,	51	AC031-043,	52
AC022-463,	9	AC030-122P,	41	AC031-046,	52
AC022-464P,	9, 18	AC030-127,	51	AC031-048,	52
AC022-473-S,	17	AC030-128,	51	AC033-119S,	40
AC022-475-S,	30	AC030-129,	51	AC033-120S,	42
AC022-479-S,	8	AC030-147P,	39	AC033-127,	42
AC022-490-S,	22	AC030-151P,	41	AC033-128,	40
AC022-772,	22	AC030-152P,	39, 41	AC033-134P,	40
AC022-773-S,	22	AC030-153P,	39, 41	AC033-136P,	39
AC030-003P,	39	AC030-160P,	39	AC033-142,	40
AC030-004P,	39, 41	AC030-217P,	41	AC033-143,	42
AC030-005,	39, 41, 43, 48, 49, 51, 52	AC030-231,	44	AC033-144,	42
AC030-006,	39, 41, 43, 48, 49, 52	AC030-232P,	44	AC033-145,	40, 42
AC030-017,	41	AC030-233P,	44	AC033-146,	40
AC030-018,	43	AC030-234,	40, 42, 44	AC033-147,	42
AC030-019,	41	AC030-235,	44	AC033-148,	42
AC030-024,	48	AC030-236,	44	AC033-135,	42
AC030-026,	43	AC030-237,	44	AC033-136,	40
AC030-027,	43	AC030-240,	44	AC040-012,	31, 32
		AC030-247,	44	AC040-013,	32
				AC040-014,	31, 32
				AC040-015,	31, 32
				AC040-023,	31, 32

PART NUMBER INDEX

PART NO.	PAGE NO.	PART NO.	PAGE NO.	PART NO.	PAGE NO.
AC040-024,	31	AC063-022,	66, 67, 68	AC201-600,	1, 60, 62, 64
AC040-041,	33	AC063-023,	66, 67	AC201-601,	60, 63
AC040-045,	33	AC063-024,	66, 67	AC201-605,	60
AC040-046,	33	AC063-073,	66, 67	AC201-609,	26
AC040-047,	33	AC063-074,	66	AC201-615,	27, 45
AC040-049,	33	AC063-087P,	66, 67	AC201-700,	60, 62, 64
AC040-050,	33	AC063-088P,	66, 67	AC201-701,	60, 62, 64
AC040-055,	33	AC101-100,	1, 2, 4, 10, 11, 13, 14, 19, 23, 25, 26, 28, 29	AC201-702,	60, 64
AC040-055P,	35			AC201-703,	60
AC040-074,	31, 32, 33, 35, 38	AC101-108,	38	AC201-706,	60, 62
AC040-075,	31	AC101-200,	39, 41, 48, 51	AC201-707,	64
AC040-076,	32, 33	AC101-202,	40, 42	AC201-709,	62
AC040-080,	33	AC101-203,	47	AC201-800,	1, 13, 25, 60, 64
AC040-094,	33	AC101-303,	39, 41, 48, 51	AC201-803,	1, 13, 25
AC040-095,	32	AC101-310,	50	AC201-805,	64
AC040-103,	31, 32, 33, 35	AC101-312,	40, 42	AC201-806,	1, 10, 23, 25, 28, 60, 62, 64
AC040-110,	33	AC101-400,	32	AC201-807,	1, 10, 23, 25, 28
AC053-002,	59	AC101-402, 3	1, 32, 33, 35	AC201-903,	60, 64
AC053-003,	59	AC201--305,	37	AC201-904,	23, 28
AC053-010,	59	AC201-100,	48, 60, 62, 64	AC201-905,	41, 43, 48, 49, 51, 52
AC053-024,	59	AC201-101,	60, 62, 64	AC201-925,	60, 62, 64
AC053-232,	59	AC201-102,	60, 62, 64	AC202-300,	33
AC053-382,	59	AC201-109,	60, 64	AC202-301,	33, 60, 62, 64
AC053-420,	59	AC201-113,	62	AC202-302,	37
AC060-133,	68	AC201-202,	60	AC202-303,	31
AC060-134,	68	AC201-302,	60, 62, 64	AC202-304,	32, 37
AC060-176,	68	AC201-303,	64	AC202-307,	37
AC061-092,	66, 67, 68	AC201-304,	37	AC301-100F50,	79
AC061-169,	68	AC201-305,	32	AC301-101F50,	79
AC061-180P,	67, 68	AC201-400,	39, 41, 43, 48, 49, 51, 52	AC301-102F50,	79
AC061-181,	68			AC301-103F50,	79
AC061-183,	66, 67, 68	AC201-403,	60, 62, 64	AC301-104,	79
AC061-184,	66, 67, 68	AC201-404,	39, 41, 43, 48, 49, 51, 52	AC301-200,	62
AC061-185,	67			AC301-201,	60, 62
AC061-189P,	67	AC201-412,	40, 42	AC301-205,	2, 5, 9, 18, 31
AC061-205,	68	AC201-414,	40, 42	AC301-208,	62
AC061-215,	68	AC201-500,	13	AC301-209,	60, 62, 64
AC061-283,	63	AC201-501,	1, 4, 7, 12, 13, 14, 17, 19, 21, 29, 30, 31, 32	AC301-210,	62
AC063-021,	66, 67, 68			AC301-211,	60

PART NUMBER INDEX

PART NO.	PAGE NO.	PART NO.	PAGE NO.	PART NO.	PAGE NO.
AC301-214,	62	AC301-437,	77	AC301-484,	74
AC301-215,	60, 62, 64	AC301-438,	76	AC301-487,	73
AC301-218,	64	AC301-439,	72	AC301-488,	72
AC301-220,	60	AC301-440,	72	AC301-489,	77
AC301-400,	76	AC301-441,	40, 42	AC301-490,	71
AC301-401,	76	AC301-442,	73	AC301-491,	71
AC301-402,	76	AC301-444,	77	AC301-492,	70
AC301-403,	75	AC301-445,	77	AC301-493,	70
AC301-404,	75	AC301-446,	77	AC301-494,	72
AC301-405,	76	AC301-447,	74	AC301-495,	72
AC301-406,	76	AC301-448,	77	AC301-496,	76
AC301-407,	76	AC301-449,	71	AC301-497,	74
AC301-408,	77	AC301-450,	77	AC301-498,	75
AC301-409,	77	AC301-451,	77	AC301-499,	76
AC301-410,	77	AC301-452,	48	AC301-601,	39, 41, 43, 48
AC301-411,	77	AC301-455,	77	AC301-610,	33
AC301-412,	77	AC301-456,	76	AC301-682,	27, 50, 53
AC301-413,	77	AC301-457,	74	AC301-807,	31, 32
AC301-414,	77	AC301-458,	74	AC301-808,	33
AC301-415,	77	AC301-459,	72	AC302-400,	72
AC301-417,	76	AC301-460,	72	AC302-401,	72
AC301-418,	74	AC301-461,	76	AC302-402,	71
AC301-419,	74	AC301-462,	74	AC302-403,	70
AC301-420,	76	AC301-463,	74	AC302-404,	70
AC301-421,	75	AC301-464,	74	AC302-406,	70
AC301-422,	75	AC301-465,	75	AC302-409,	70
AC301-423,	75	AC301-466,	76	AC302-410,	70
AC301-424,	75	AC301-467,	76	AC302-420,	70
AC301-425,	76	AC301-468,	72	AC302-421,	77
AC301-426,	76	AC301-469,	76	AC302-423,	70
AC301-427,	76	AC301-470,	71	AC302-424,	74
AC301-428,	76	AC301-470A,	71	AC302-425,	74
AC301-429,	77	AC301-471,	77	AC302-427,	70
AC301-430,	77	AC301-472,	77	AC302-429,	71
AC301-431,	76	AC301-473,	74	AC302-430,	71
AC301-432,	77	AC301-474,	77	AC302-431,	71
AC301-433,	74	AC301-475,	73	AC302-433,	71
AC301-434,	77	AC301-481,	77	AC302-434,	72
AC301-435,	75	AC301-482,	74	AC302-435,	71
AC301-436,	73	AC301-483,	74	AC302-436,	77

PART NUMBER INDEX

PART NO.	PAGE NO.	PART NO.	PAGE NO.	PART NO.	PAGE NO.
AC302-437,	77	AC401-100,	39, 41, 43, 48, 49, 51, 52	AC501-314,	61, 62, 65
AC302-442,	70	AC401-102,	60, 62, 64	AC501-315,	61, 63, 65
AC302-443,	70, 72	AC401-110,	40, 42	AC501-317,	59
AC302-444,	70	AC401-112,	50, 53	AC501-318,	68
AC302-452,	71	AC401-200A,	1, 10, 13, 23, 25	AC501-320,	66, 67, 68
AC302-453,	74	AC401-201A,	10, 13, 23, 25	AC501-321,	63, 65
AC302-454,	74	AC401-203,	28, 29, 30	AC501-323,	61, 62
AC302-456,	70	AC401-204,	28, 29	AC501-325,	61
AC302-457,	71	AC401-209,	4, 11, 14, 19, 26	AC501-326,	63, 65
AC302-459,	74	AC401-209A,	4, 11, 14, 19, 26	AC501-328,	61
AC302-460,	70	AC401-210,	4, 11, 14, 19, 26	AC501-330,	61, 63, 65
AC302-461,	70	AC401-210A,	4, 11, 14, 19, 26	AC501-332,	61
AC302-462,	70	AC401-215,	27	AC501-334,	63
AC302-464,	71	AC401-217,	27	AC501-335,	63
AC302-465,	74	AC401-221,	7, 12, 21	AC501-400,	63
AC302-466,	74	AC401-222,	7, 12, 21	AC501-401,	59, 63
AC302-467,	74	AC401-229,	30	AC501-403,	59, 61, 65
AC302-468,	70	AC401-232,	17	AC501-404,	65
AC302-469,	70	AC401-233,	17	AC501-405,	59, 61, 65
AC302-470,	70	AC401-301,	3, 16	AC501-406,	61
AC302-471,	74	AC401-302,	28, 29, 32	AC501-407,	59, 61, 65
AC302-472,	74	AC401-306,	2, 5, 9, 18, 31	AC501-409,	59
AC302-473,	71	AC401-307,	2, 5, 9, 18, 31	AC501-411,	61, 65
AC302-474,	71	AC401-308,	2, 3, 4, 5, 6, 8, 11, 14, 15, 19, 20, 22, 33	AC501-413,	61
AC302-475,	75	AC401-314,	15	AC501-439,	59
AC302-476,	73	AC401-320,	7, 9, 12, 17, 18, 21, 30	AC501-500,	61, 63, 65
AC302-481,	71	AC501-102A,	39, 41, 43, 48, 49, 51, 52	AC601-100,	61
AC302-482,	71	AC501-103A,	39, 41, 43, 48, 49, 52	AC601-306,	59
AC302-483,	71	AC501-122,	27	AC601-318,	63, 65
AC302-484,	75	AC501-123,	50, 53	AC601-319,	61, 63, 65
AC302-486,	73	AC501-266,	59	AC601-321,	61
AC302-494,	71	AC501-267,	59	AC601-324,	59, 61
AC302-495,	71	AC501-271A,	59, 60, 62, 64	AC601-330,	61
AC302-496,	71	AC501-305,	60, 62, 64	AC601-332,	59
AC302-498,	72	AC501-308,	65	AC601-333,	59
AC302-499,	72	AC501-310,	61, 62, 65	AC601-334,	59
AC303-403,	74			AC601-335,	59
AC303-405,	70			AC601-340,	59
AC303-415,	70			AC601-341,	59
				AC601-348,	59
				AC601-423,	61

Carrier Transport Air Conditioning
50 Grumbacher Road
York PA 17406 USA
Tel: 1-800-673-2431
Fax: 1-717-764-0401



Carrier

A United Technologies Company
Carrier Transicold Division,
Carrier Corporation
Transport Air Conditioning Group
P.O. Box 4805
Syracuse, N.Y. 13221 U.S.A

www.carrier.transicold.com



A member of the United Technologies Corporation family. Stock symbol UTX
©2008 Carrier Corporation • Printed in U. S. A. 11/08