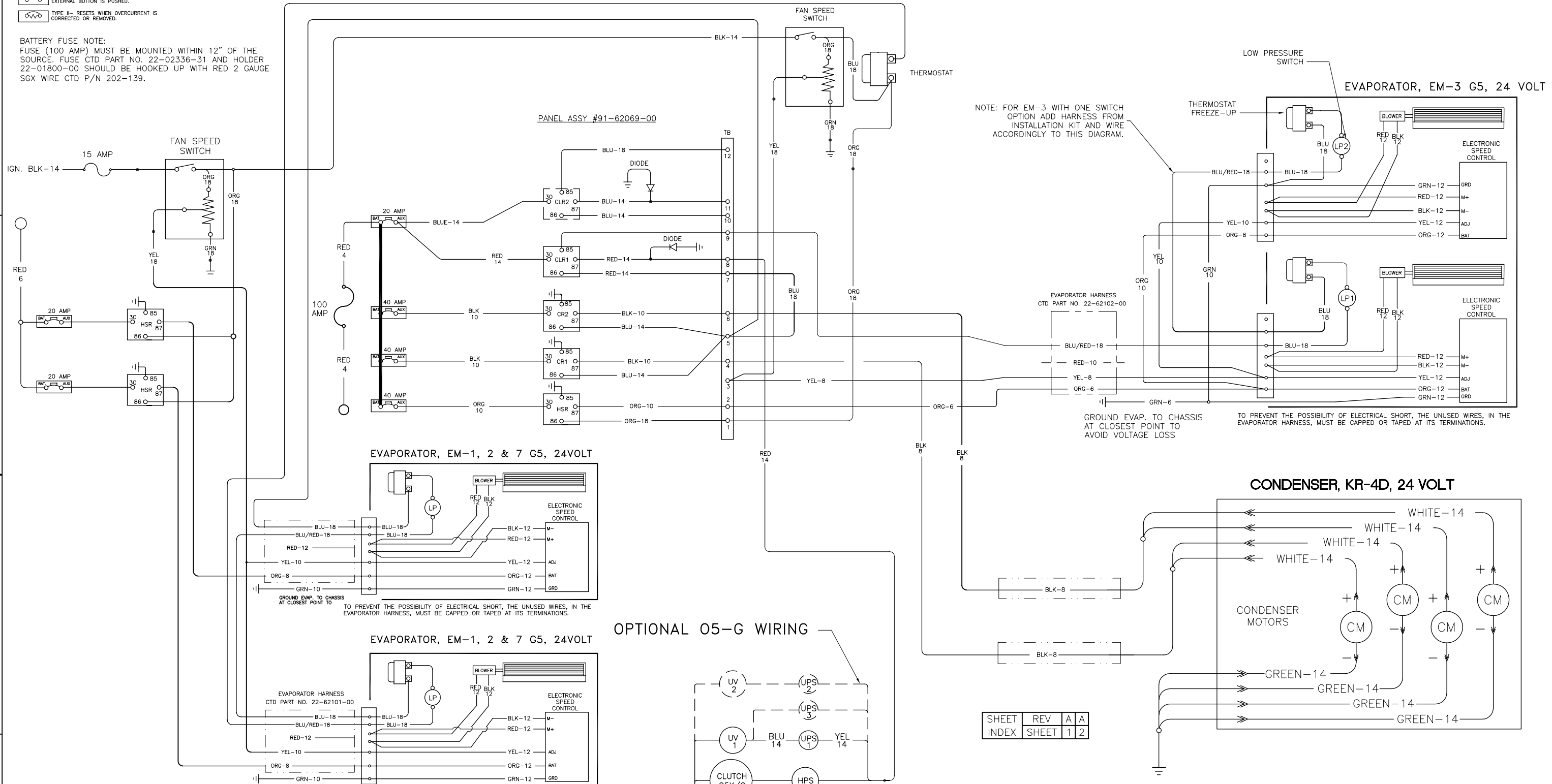


CIRCUIT BREAKER IDENTIFICATION
 TYPE III - MANUAL RESET—RESETS WHEN EXTERNAL BUTTON IS PUSHED.
 TYPE II— RESETS WHEN OVERCURRENT IS CORRECTED OR REMOVED.

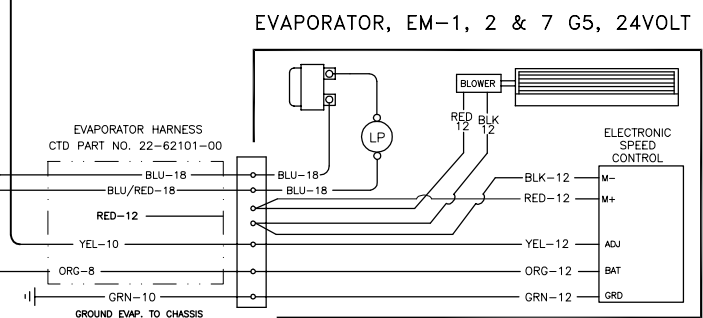
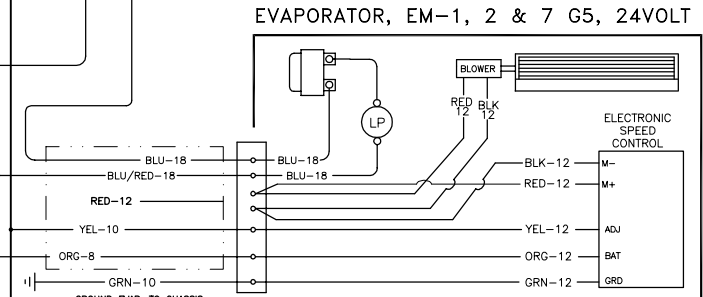
BATTERY FUSE NOTE:
 FUSE (100 AMP) MUST BE MOUNTED WITHIN 12" OF THE SOURCE. FUSE CTD PART NO. 22-02336-31 AND HOLDER 22-01800-00 SHOULD BE HOOKED UP WITH RED 2 GAUGE SGX WIRE CTD P/N 202-139.

D
C
B
A

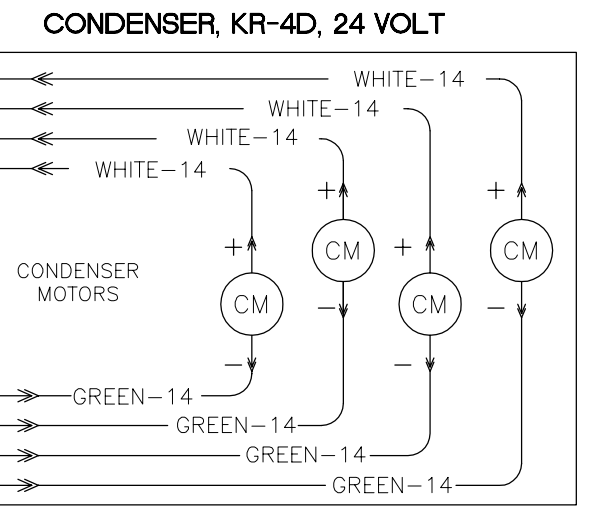
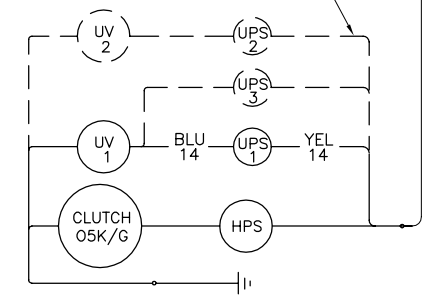


NOTE: FOR EM-3 WITH ONE SWITCH OPTION ADD HARNESS FROM INSTALLATION KIT AND WIRE ACCORDINGLY TO THIS DIAGRAM.

GROUND EVAP. TO CHASSIS AT CLOSEST POINT TO AVOID VOLTAGE LOSS
 TO PREVENT THE POSSIBILITY OF ELECTRICAL SHORT, THE UNUSED WIRES, IN THE EVAPORATOR HARNESS, MUST BE CAPPED OR TAPED AT ITS TERMINATIONS.

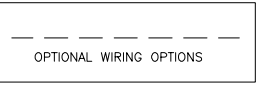


OPTIONAL O5-G WIRING



SHEET	REV	A	A
INDEX	SHEET	1	2

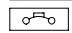

CAUTION:
 DO NOT INSTALL A/C ELECTRICAL PANEL IN AN AREA THAT IS NOT VENTILATED OR CAN EXCEED 150° F. OR 66° C.



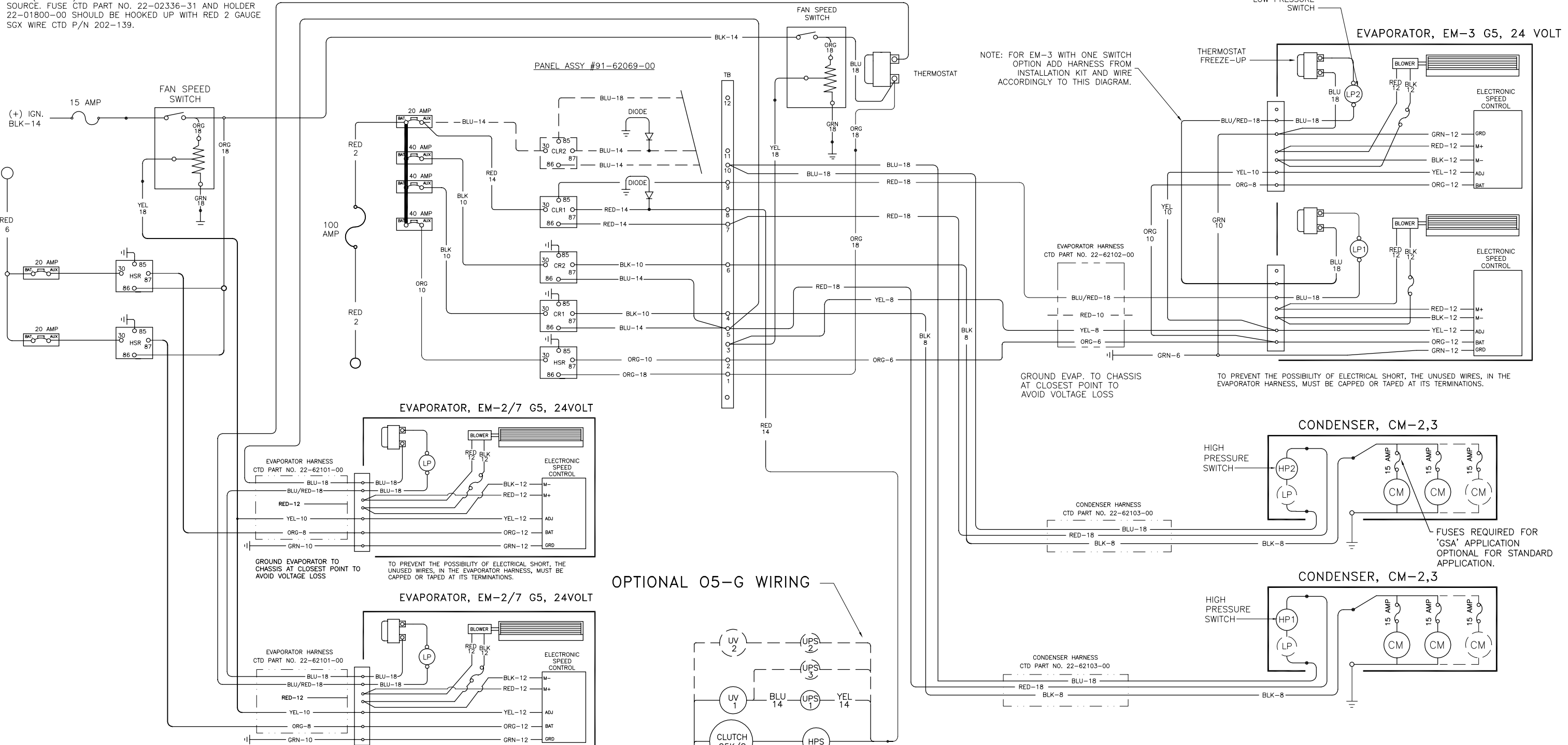
A	INITIAL RELEASE	JAN 9, 2007	TDL	SB	68N419GP07
SYM	REVISION RECORD	DATE	BY	ENGR.	M.E. NPCA NO.

CAD SYSTEM: AutoCAD	IMPERIAL INCH FORMAT: UNLESS OTHERWISE SPECIFIED DIMENSIONS ARE IN INCHES, WITH METRIC CONVERSIONS IN [MILLIMETERS].		Carrier A United Technologies Company Carrier Refrigeration Operations Carrier Transport A/C 50 GRUMBACHER ROAD York, Pennsylvania 17402 USA
THIRD ANGLE PROJECTION 	UNLESS OTHERWISE SPECIFIED TOLERANCES ON: .00 DEC .000 DEC DEC ANG ± .04 ± .020 ± ± 2° [.0] DEC [.00] DEC DEC ±[1.0] ±[.50] ± []	THIS DOCUMENT AND THE INFORMATION CONTAINED THEREIN IS PROPRIETARY TO CARRIER CORPORATION AND SHALL NOT BE USED OR DISCLOSED TO OTHERS, IN WHOLE OR IN PART, WITHOUT THE WRITTEN AUTHORIZATION OF CARRIER CORPORATION.	
MATERIAL	SURFACES ✓ AA	HOLE DIA. ± .005 ±[.13]	HOLE SPACING ± .015 ±[.38]
		HOLE LOC ± .03 ±[.8]	HOLE LOC ± .03 ±[.8]
		DIMENSIONS IN (PARENTHESIS) ARE FOR INFORMATION ONLY. TOLERANCES DO NOT APPLY.	
		WEIGHT	MFG/PURCH MFG
TITLE WIRE DIAGRAM EM-3,(2)EM, KR-4, O5G, 24V,VAR SPD		SIZE D	DRAWING NO. 98-62718 SHEET 1 OF 2
NEXT DRAWING NONE		SCALE FULL	REV A

REV A
98-62718
DWG NO
COMMODITY CODE

CIRCUIT BREAKER IDENTIFICATION
 TYPE III - MANUAL RESET—RESETS WHEN EXTERNAL BUTTON IS PUSHED.
 TYPE II— RESETS WHEN OVERCURRENT IS CORRECTED OR REMOVED.

BATTERY FUSE NOTE:
 FUSE (100 AMP) MUST BE MOUNTED WITHIN 12" OF THE SOURCE. FUSE CTD PART NO. 22-02336-31 AND HOLDER 22-01800-00 SHOULD BE HOOKED UP WITH RED 2 GAUGE SGX WIRE CTD P/N 202-139.



NOTE: FOR EM-3 WITH ONE SWITCH OPTION ADD HARNESS FROM INSTALLATION KIT AND WIRE ACCORDINGLY TO THIS DIAGRAM.

GROUND EVAP. TO CHASSIS AT CLOSEST POINT TO AVOID VOLTAGE LOSS

TO PREVENT THE POSSIBILITY OF ELECTRICAL SHORT, THE UNUSED WIRES, IN THE EVAPORATOR HARNESS, MUST BE CAPPED OR TAPED AT ITS TERMINATIONS.

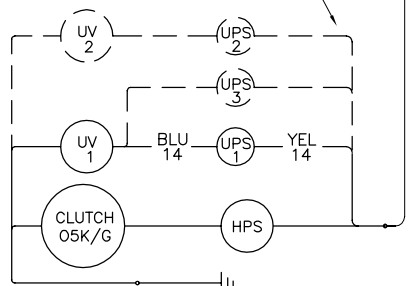
GROUND EVAPORATOR TO CHASSIS AT CLOSEST POINT TO AVOID VOLTAGE LOSS

TO PREVENT THE POSSIBILITY OF ELECTRICAL SHORT, THE UNUSED WIRES, IN THE EVAPORATOR HARNESS, MUST BE CAPPED OR TAPED AT ITS TERMINATIONS.

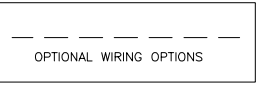
GROUND EVAPORATOR TO CHASSIS AT CLOSEST POINT TO AVOID VOLTAGE LOSS

TO PREVENT THE POSSIBILITY OF ELECTRICAL SHORT, THE UNUSED WIRES, IN THE EVAPORATOR HARNESS, MUST BE CAPPED OR TAPED AT ITS TERMINATIONS.


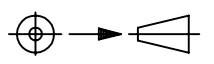
OPTIONAL O5-G WIRING



CAUTION:
 DO NOT INSTALL A/C ELECTRICAL PANEL IN AN AREA THAT IS NOT VENTILATED OR CAN EXCEED 150° F. OR 66° C.



SYMBOL	INITIALS	DATE	BY	ENGR.	M.E.	NPCA NO.	WEIGHT	MFG/PURCH	MFG
A	INITIAL RELEASE	JAN 9, 2007	TDL	SB		68N419GP07			
SYM	REVISION RECORD	DATE	BY	ENGR.	M.E.	NPCA NO.	WEIGHT	MFG/PURCH	MFG

CAD SYSTEM: AutoCAD	IMPERIAL INCH FORMAT: UNLESS OTHERWISE SPECIFIED DIMENSIONS ARE IN INCHES, WITH METRIC CONVERSIONS IN [MILLIMETERS].	 Carrier A United Technologies Company Carrier Refrigeration Operations Carrier Transport A/C 715 Willow Springs Lane York, Pennsylvania 17402 USA
THIRD ANGLE PROJECTION 	UNLESS OTHERWISE SPECIFIED TOLERANCES ON: .00 DEC .000 DEC DEC ANG ± .04 ± .020 ± ± 2° [.0] DEC [.00] DEC DEC ± [1.0] ± [.50] ± []	
MATERIAL	SURFACES ✓ AA	HOLE DIA. ± .005 ± [.13] HOLE SPACING ± .015 ± [.38] NON-CUMULATIVE HOLE LOC ± .03 ± [.8]
DIMENSIONS IN (PARENTHESIS) ARE FOR INFORMATION ONLY. TOLERANCES DO NOT APPLY.		TITLE WIRE DIAGRAM EM-3,(2)EM,(2)CM, O5G,24V,VAR SPD SIZE D DRAWING NO. 98-62718 SHEET 2 OF REV A NEXT DRAWING NONE SCALE FULL

REV 98-62718 DWG NO 98-62718 COMMODITY CODE A