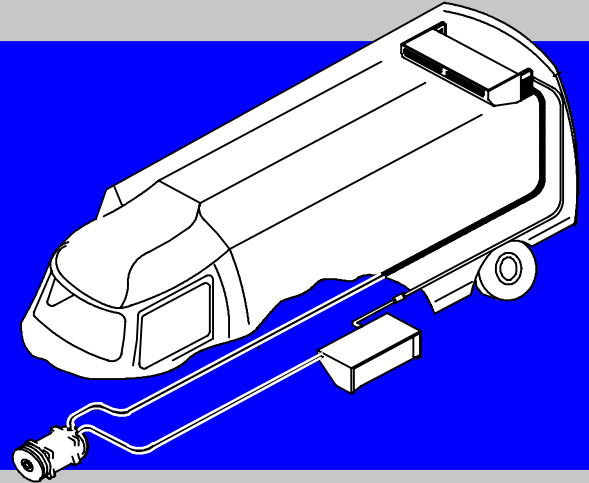
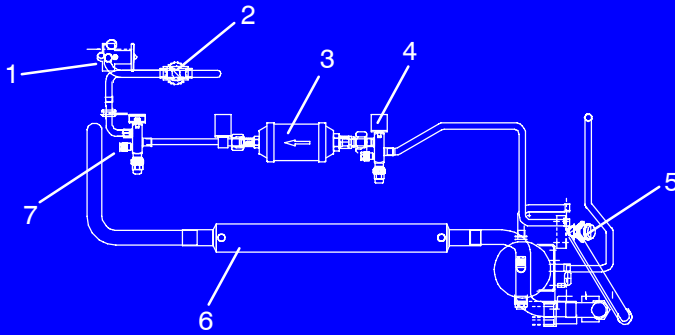




Transport Air Conditioning



SERVICE PARTS LIST for **SPLIT SYSTEMS** **GEN 4 & 5**

NOTE: For GEN 1, 2 & 3 Equipment,
Use Parts List T-346PL



TRANSICOLD

Service Parts List Transport Air Conditioning Unit

Model

**EM-1 through EM-23, (Gen 4 & Gen 5)
IW-1, IW-2, IW-7, & IW-14 Evaporators
CM-2 through CM-16,
K410 & KR2, KR3, & KR4 Condensers
Engine Mounted Compressors**

TABLE OF CONTENTS

INTRODUCTION	ix
ORDERING INSTRUCTIONS	ix
GENERAL NOTES	ix
SECTION 1 - EVAPORATORS	2
SECTION 1.1 EM-1 EVAPORATORS	2
1.1.1 EVAPORATOR, EM-1, GEN 4, FREE BLOW	2
1.1.2 EVAPORATOR, EM-1, GEN 4 CHASSIS KIT WITH HEAT	4
1.1.3 SIDE MOUNT EVAPORATOR, EM-1 & 2, GEN 4	6
1.1.4 PLENUM & GRILL BOX FOR EVAPORATORS EM-1 & 2, GEN 4	7
1.1.5 EVAPORATOR, EM-1, GEN-V, FREE BLOW, REAR MOUNT	8
1.1.6 INSTALLATION COMPONENTS, EM-1, GEN V, REAR MOUNT	11
1.1.7 EVAPORATOR, EM-1, GEN-V, FREE BLOW, SIDE MOUNT	12
1.1.8 INSTALLATION COMPONENTS, EM-1, GEN-V, SIDE MOUNT	16
1.1.9 EM-1, GEN-V, 3 SPEED CHASSIS KITS 77-62512-00 THRU -07 (COMMON PARTS)	18
1.1.10 EM-1, GEN-V, 3 SPEED CHASSIS KIT 77-62512-00 (SPECIFIC PARTS LIST)	20
1.1.11 EM-1, GEN-V, 3 SPEED CHASSIS KIT 77-62512-01 (SPECIFIC PARTS LIST)	20
1.1.12 EM-1, GEN-V, 3 SPEED CHASSIS KIT 77-62512-05 (SPECIFIC PARTS LIST)	20
1.1.13 EM-1, GEN-V, 3 SPEED CHASSIS KIT 77-62512-06 (SPECIFIC PARTS LIST)	20
1.1.14 EM-1, GEN-V, 3 SPEED CHASSIS KIT 77-62512-07 (SPECIFIC PARTS LIST)	20
1.1.15 COVER ASSEMBLY, EM-1, GEN-V, 3 SPEED, REAR MOUNT	21
1.1.16 COVER ASSEMBLY, EM-1, GEN-V, 3 SPEED, SIDE MOUNT	22
SECTION 1.2 EM-2 EVAPORATORS	23
1.2.1 EVAPORATOR, EM-2, GEN 4, FREE BLOW	23
1.2.2 EVAPORATOR, EM-2 CHASSIS KIT WITH HEAT, GEN 4	24
1.2.3 EVAPORATOR, EM-2, REAR MOUNT, GEN V	26
1.2.4 EM-2, 3 SPEED CHASSIS KITS 77-62522-00 THRU -07 (COMMON PARTS)	30
1.2.5 EM-2, GEN-V, 3 SPEED CHASSIS KIT 77-62522-05 (SPECIFIC PARTS LIST)	32
1.2.6 EM-2, GEN-V, 3 SPEED CHASSIS KIT 77-62522-06 (SPECIFIC PARTS LIST)	32
1.2.7 EM-2, GEN-V, 3 SPEED CHASSIS KIT 77-62522-07 (SPECIFIC PARTS LIST)	32
1.2.8 COVER ASSEMBLY, EM-2, GEN-V, 3 SPEED, REAR MOUNT	33
1.2.9 COVER ASSEMBLY, EM-2, GEN-V, 3 SPEED, SIDE MOUNT	34
1.2.10 INSTALLATION COMPONENTS, EM-2, GEN V, REAR MOUNT	35
1.2.11 EVAPORATOR, EM-2, GEN V, SIDE MOUNT	36
1.2.12 INSTALLATION COMPONENTS, EM-2, GEN-V, SIDE MOUNT	40
SECTION 1.3 EM-3 EVAPORATORS	42
1.3.1 EVAPORATOR, EM-3, GEN 4, DUCTED, WITH PLENUM OR GRILL BOX	42
1.3.2 EVAPORATOR, EM-3, GEN 4, FREE BLOW	43
1.3.3 EM-3, 3 SPEED CHASSIS KITS 77-62532-00 THRU -07 (COMMON PARTS)	44
1.3.4 EVAPORATOR, EM-3, GEN-5, INSTALLATION COMPONENTS	46
1.3.5 EM-3, GEN-5, COVER ASSEMBLY	47
SECTION 1.4 EM-6 EVAPORATORS	49
1.4.1 EVAPORATOR, EM-6, GEN 4, SIDE MOUNT, FREE BLOW	49
1.4.2 EVAPORATOR, EM-6, GEN 4, FREE BLOW	50

TABLE OF CONTENTS - Continued:

SECTION 1.5 EM-7 EVAPORATORS	52
1.5.1 EVAPORATOR, EM-7, GEN V, REAR MOUNT	52
1.5.2 EM-7, 3 SPEED CHASSIS KITS 77-62572-00 THRU -07 (COMMON PARTS)	56
1.5.3 EM-7, GEN-V, 3 SPEED CHASSIS KIT 77-62572-00 (SPECIFIC PARTS LIST)	58
1.5.4 EM-7, GEN-V, 3 SPEED CHASSIS KIT 77-62572-01 (SPECIFIC PARTS LIST)	58
1.5.5 EM-7, GEN-V, 3 SPEED CHASSIS KIT 77-62572-05 (SPECIFIC PARTS LIST)	58
1.5.6 EM-7, GEN-V, 3 SPEED CHASSIS KIT 77-62572-06 (SPECIFIC PARTS LIST)	58
1.5.7 EM-7, GEN-V, 3 SPEED CHASSIS KIT 77-62572-07 (SPECIFIC PARTS LIST)	58
1.5.8 COVER ASSEMBLY, EM-7, GEN-V, REAR MOUNT	59
1.5.9 COVER ASSEMBLY, EM-7, GEN-V, SIDE MOUNT	60
1.5.10 INSTALLATION COMPONENTS, EM-7, GEN V, REAR MOUNT	61
1.5.11 EVAPORATOR, EM-7, GEN V, SIDE MOUNT	62
1.5.12 INSTALLATION COMPONENTS, EM-7, GEN-V, SIDE MOUNT	66
SECTION 1.6 EM-9 EVAPORATORS	68
1.6.1 EVAPORATOR, EM-9, GEN 4, SIDE MOUNT, DUCTED	68
SECTION 1.7 EM-14 EVAPORATORS	72
1.7.1 EVAPORATOR, EM-14, GEN 4 SERIES, FREE BLOW	72
1.7.2 EVAPORATOR, EM-14, GEN 4, SIDE MOUNT	74
SECTION 1.8 EM-17 EVAPORATORS	76
1.8.1 EVAPORATOR, EM-17, SINGLE LOOP, GEN 4 SERIES	76
1.8.2 EVAPORATOR, EM-17, DUAL LOOP, GEN 4 SERIES	77
SECTION 1.9 EM-23 EVAPORATORS	78
1.9.1 EVAPORATOR KIT, EM-23, HEAT/COOL (77-62725-00)	78
1.9.2 EVAPORATOR KIT, EM-23 - COOL ONLY (77-62204-00)	79
SECTION 1.10 IW-1 IN-WALL EVAPORATORS	80
1.10.1 EVAPORATOR, IW-1, (77-62081-11)	80
1.10.2 EVAPORATOR, IW-1, (77-62160-00)	84
1.10.3 EVAPORATOR, IW-1 (77-62160-01)	86
1.10.4 EVAPORATOR, IW-1 (77-62160-02)	86
1.10.5 EVAPORATOR, IW-1 (77-62160-03)	86
1.10.6 EVAPORATOR, IW-1 (77-62160-04 & -06)	87
1.10.7 EVAPORATOR, IW-1 (77-62160-05, -07, -12 & -13)	88
1.11 IW-2 IN-WALL EVAPORATORS	102
1.11.1 EVAPORATOR, IW-2 - 77-62134-00, -01, -05 & -06	102
1.11.2 EVAPORATOR, IW-2 (77-62134-02)	105
1.11.3 EVAPORATOR, IW-2	106
1.11.4 EVAPORATOR, IW-2, 77-62134-03 & -04	107
1.11.5 COVER ASSEMBLY, EVAPORATOR, IW-2 (79-62098-00 THRU 79-62098-03)	108
1.11.6 AIR DEFLECTOR - COVER ASSEMBLY (ABS)	109
1.12 IW-7 IN-WALL EVAPORATORS	110
1.12.1 EVAPORATOR, IW-7 (77-62131-00)	110
1.13 IW-14 IN-WALL EVAPORATORS	112
1.13.1 EVAPORATOR, IW-14, (77-62080-00)	112
1.13.2 EVAPORATOR, IW-14, WITH LP SWITCH (77-62080-01)	114

TABLE OF CONTENTS - Continued:

SECTION 2 - CONDENSERS	118
SECTION 2.1 CM-2 CONDENSERS	118
2.1.1 CONDENSER, CM-2, GEN 4	118
2.1.2 CONDENSER, CM-2, MCHX, VENTURI ASSEMBLY	119
2.1.3 CONDENSER, CM-2, MCHX, VENTURI ASSEMBLY	120
2.1.4 CONDENSER, CM-2, MCHX, VENTURI ASSEMBLY	121
2.1.5 CONDENSER, CM-2, MCHX, VENTURI ASSEMBLY (24V)	122
2.1.6 CONDENSER, CM-2, MCHX, VENTURI ASSEMBLY (12V)	123
2.1.7 CM-2, CONDENSER GROUND/POWER HARNESS	123
2.1.8 CONDENSER COIL REPLACEMENT KIT, CM-2, MICRO-CHANNEL (MCHX)	124
2.1.9 CONDENSER, CM-2, MCHX, GRILL ASSEMBLY	126
2.1.9 CONDENSER, CM-2, MCHX, GRILL ASSEMBLY	126
2.1.9 CONDENSER, CM-2, MCHX, GRILL ASSEMBLY	126
2.1.10 CONDENSER, CM-2, MCHX, GRILL ASSEMBLY	127
SECTION 2.2 CM-3 CONDENSERS	128
2.2.1 CONDENSER, CM-3, GEN 4	128
2.2.2 CONDENSER, CM-3, MCHX, VENTURI ASSEMBLY	129
2.2.3 CONDENSER, CM-3, MCHX, VENTURI ASSEMBLY	130
2.2.4 CONDENSER, CM-3, MCHX, VENTURI ASSEMBLY	131
2.2.5 CONDENSER, CM-3, MCHX, VENTURI ASSEMBLY	132
2.2.6 CONDENSER, CM-3, MCHX, VENTURI ASSEMBLY	133
2.2.7 CM-3, CONDENSER GROUND/POWER HARNESS	133
2.2.8 CONDENSER, CM-3, MCHX, REPLACEMENT CHASSIS (77-01277-50)	134
2.2.9 CONDENSER, CM-3, MCHX, GRILL ASSEMBLY	136
2.2.9 CONDENSER, CM-3, MCHX, GRILL ASSEMBLY	136
2.2.9 CONDENSER, CM-3, MCHX, GRILL ASSEMBLY	136
2.2.10 CONDENSER, CM-3, MCHX, GRILL ASSEMBLY	137
2.2.11 CONDENSER, STACKED, CM-2/CM-3	138
SECTION 2.3 CM-5 CONDENSER	140
2.3.1 CONDENSER, CM-5	140
2.3.2 LIQUID LINE ASSEMBLY, CM-5, CM-14, & C4RE, (REMOTE)	142
SECTION 2.4 CM-14 CONDENSER SERIES	144
2.4.1 CONDENSER, CM-14 STANDARD MODEL (77-62083-02, -04, -08 & -09)	144
2.4.2 CONDENSER, CM-14, GRILL, STANDARD MODEL, (77-62083-02 & -04)	146
2.4.2 CONDENSER, CM-14, GRILL, CHASSIS MOUNTED - (77-62083-08 & -09)	146
2.4.3 CM-14, CONDENSER GROUND/POWER HARNESS (FOR 77-62083-02, -04, -08, -09)	146
2.4.4 CONDENSER, CM-14 C4RE MODEL (77-62083-00)	148
2.4.4 CONDENSER, CM-14 C4RE, CHECK VALVE & TUBE ASSEMBLY	149
2.4.4 CONDENSER, CM-14 C4RE, DISCHARGE VALVE ASSEMBLY (BB)	150
2.4.4 CONDENSER, CM-14 C4RE, SUCTION VALVE ASSEMBLY (BB)	150
2.4.4 CONDENSER, CM-14 C4RE LOW AMBIENT THERMOSTAT SWITCH & BRACKET	150
2.4.5 CONDENSER, CM-15 (77-62175-00)	151
2.4.6 CONDENSER, CM-16 (77-62201-00)	152
2.4.7 CONDENSER, K410, 3 MOTOR, 12V (CARRIER - SPAIN) 02-94-10-101-00	154

TABLE OF CONTENTS - Continued:

SECTION 2.5 CONDENSER, 68KR4-101 SERIES	157
INTRODUCTION	157
CONFIGURATION IDENTIFICATION	157
OPTION DESCRIPTION	157
Skins Kit	157
Refrigeration Kit	157
Electrical Kit	157
Frame Kit	157
2.5.1 CONDENSER, 68KR4-101 SERIES, DECAL KIT	158
2.5.2 CONDENSER, 68KR4-101 SERIES, SKINS KIT - OPTION 1 & 2	159
2.5.3 CONDENSER, 68KR4-101 SERIES, REFRIGERATION KIT, DUAL LOOP - OPTION 1	160
2.5.4 CONDENSER, 68KR4-101 SERIES, REFRIGERATION KIT, DUAL LOOP - OPTION 3	164
2.5.5 CONDENSER, 68KR4-101 SERIES, REFRIGERANT KIT, SINGLE LOOP - OPTION 2	166
2.5.6 CONDENSER, 68KR4-101 SERIES, ELECTRICAL KIT - OPTION 1, 2, 3 & 4	169
2.5.7 68KR4-101 SERIES, FRAME KIT, DUAL LOOP - OPTION 1	171
2.5.8 CONDENSER, 68KR4-101 SERIES, FRAME KIT, SINGLE LOOP - OPTION 2	172
2.5.9 68KR4-101 SERIES, FRAME KIT, DUAL LOOP, LESS FILTERS & VALVES - OPTION 3	173
2.5.10 KR4 FEED-THROUGH PLATE ASSEMBLY (81-62151-00)	174
2.5.11 KR4 BULKHEAD FEED-THROUGH ASSEMBLY (79-62105-00)	174
SECTION 2.6 CONDENSER, 68KR2/3-101 SERIES	175
INTRODUCTION	175
CONFIGURATION IDENTIFICATION	175
OPTION DESCRIPTION	175
Cover Kit	175
Electrical Kit	175
SECTION 2.7 CONDENSER, 68KR3-101 SERIES	176
2.7.1 CONDENSER, 68KR3-101 SERIES - FRAME KIT	176
2.7.2 CONDENSER, 68KR3-101 SERIES - FRAME KIT WITH FEED-THRU PLATE	177
2.7.3 CONDENSER, 68KR3-101 SERIES - COVER KIT - 77-62171-01, -03, -04 & -06	179
2.7.4 CONDENSER, 68KR3-101 SERIES - ELECTRICAL KITS - (77-62172-01, -03, -05, -07)	180
2.7.5 CONDENSER, 68KR3-101 SERIES - PACKAGE KITS - 77-62173-01, -03, -09, -12 & -14 ...	181
2.7.6 CONDENSER, 68KR3-101 SERIES - PACKAGE KIT - 77-62173-05	181
2.7.7 CONDENSER, 68KR3-101 SERIES - PACKAGE KIT - 77-62173-06	181
2.7.8 CONDENSER, 68KR3-101 SERIES - PACKAGE KIT - 77-62173-07	181
SECTION 2.8 CONDENSER, 68KR2-101 SERIES	182
2.8.1 CONDENSER, 68KR2-101 SERIES - FRAME KIT	182
2.8.2 CONDENSER, 68KR2-101 SERIES - FRAME KIT WITH FEED-THRU PLATE	183
2.8.3 CONDENSER, 68KR2-101 SERIES - COVER KIT - 77-62171-00, -02 & -05	185
2.8.4 CONDENSER, 68KR2-101 SERIES - ELECTRICAL KIT - 77-62172-00, -02, -04 & -06	186
2.8.5 CONDENSER, 68KR2-101 SERIES - PACKAGE KIT - 77-62173-00, -02, -08, -011 & -13	187
2.8.6 CONDENSER, 68KR2-101 SERIES - PACKAGE KIT - 77-62173-04	187
2.8.7 WINTERGUARD KITS - KR2/3 - (76-62269-00 & -01)	188
2.9 BRUSH GUARD, CONDENSER, KR2/3 AND CM-7/11	189

TABLE OF CONTENTS - Continued:

2.10	FEED-THROUGH PLATE ASSEMBLIES - ROOFTOPS - (81-62138)	189
2.10	FEED-THROUGH PLATE ASSEMBLIES - ROOFTOPS - (81-62145)	190
2.10	FEED-THROUGH PLATE ASSEMBLIES - ROOFTOPS - (81-62156)	190
2.10	FEED-THROUGH PLATE ASSEMBLIES - ROOFTOPS - (AC031-029)	191
2.10	FEED-THROUGH PLATE ASSEMBLIES - ROOFTOPS - (AC031-082)	191
SECTION 3	- FITTINGS & HOSE	192
SECTION 3.1	FITTINGS	192
3.1.1	HOSE & FITTING - SIZE DETERMINATION	192
3.1.2	FITTING, A-6 COMPRESSOR, (GM STYLE)	193
3.1.3	FITTINGS - TM-31	194
3.1.4	FITTINGS - MISCELLANEOUS	194
3.1.5	FITTINGS, TEE	195
3.1.6	FITTING, SWIVEL UNIONS	195
3.1.7	FITTING, FLARE TO O-RING	195
3.1.8	FITTING, TUBE-O, R134a	195
3.1.9	FITTING, ADAPTER AND CAP	196
3.1.10	FITTING, QUICK-CLICK, FEMALE, O-RING	196
3.1.11	FITTING, QUICK-CLICK, MALE, O-RING	197
3.1.12	FITTING, SUCTION (SPRINTER)	197
3.1.13	FITTING, QUICK-CLICK, FEMALE FLARE	198
3.1.14	FITTING, QUICK-CLICK, METRIC	198
3.1.15	FITTING, QUICK-CLICK, WITH ACCESS PORTS	199
3.1.16	FITTING, QUICK-CLICK, WITH ACCESS PORTS	199
3.1.17	FITTING, QUICK-CLICK, MALE INSERT O-RING	199
3.1.18	FITTING, QUICK-CLICK, SPLICERS	200
3.1.19	FITTING, QUICK-CLICK, 90, TXV, I.H.	200
3.1.20	FITTINGS - MISC.:	200
3.1.21	FITTINGS - BRONZE & BRASS - MISC.:	201
3.1.22	FITTING, HOSE BARB (40-01094)	201
3.1.23	FITTINGS - RE-USABLE - #16 NEWCLIMA HOSE	202
3.1.24	"O"-RINGS, HNBR	202
SECTION 3.2	COMPRESSOR FITTING KITS	203
3.2.1	INSTAL. INSTRUCTIONS FOR COMPRESSORS WITH GM STYLE PORTS ON REAR	203
3.2.2	INSTALLATION INSTRUCTIONS FOR SANDEN, SELTEC OR A-6	203
3.2.3	FITTING KITS - SANDEN, SELTEC OR A-6 COMP. KITS ENDING WITH D OR -01	204
3.2.4	FITTING KITS - SANDEN, SELTEC OR A-6 COMP. KITS ENDING WITH E OR -02	204
3.2.5	FITTING KITS - SANDEN, SELTEC OR A-6 COMP. KITS ENDING WITH F OR -03	204
3.2.6	FITTING KITS - SANDEN, SELTEC OR A-6 COMP. KITS ENDING WITH G OR -04	204
3.2.7	FITTING KITS - SANDEN, SELTEC OR A-6 COMP. KITS ENDING WITH H OR -05	205
3.2.8	FITTING KITS - SANDEN, SELTEC OR A-6 COMP. KITS ENDING WITH I OR -06	205
SECTION 3.3	REFRIGERANT HOSE AND CLAMPS	206
3.3.1	REFRIGERANT HOSE - QUICK-CLICK	206
3.3.2	REFRIGERANT HOSE, NEWCLIMA	206
3.3.3	HOSE CLAMPS - QUICK-CLICK	206

TABLE OF CONTENTS - Continued:

3.3.4	REFRIGERANT HOSE, AEROQUIP (GH134-6 THRU -12)	207
3.3.5	HOSE CLAMPS - AEROQUIP EZ CLIP	207
3.3.6	REFRIGERANT HOSE ASSEMBLIES (NEWCLIMA) 58-62017	208
3.3.7	REFRIGERANT HOSE ASSEMBLIES (NEWCLIMA #16) 58-62038	212
3.3.8	REFRIGERANT HOSE ASSEMBLIES (QUICK-CLICK - MANULI) 58-62045	214
SECTION 4 - COMPRESSORS		217
4.1	SANDEN, SD-508, (R12)	217
4.2	SANDEN, SD-709, (R12)	217
4.3	SANDEN, SD-709 (R12 & R134a)	218
4.4	SANDEN, SD-510, (R12)	219
4.5	SD-510 SANDEN PARTS	219
4.6	SANDEN, SD-7H15, (R134a)	220
4.7	SANDEN SD-7H15 SHD, PARTS	221
4.8	SELTEC, TM-15, (R12)	221
4.9	SELTEC, TM-15, (R134a)	222
4.11	SELTEC, TM-16 & TM-16HS, (R134a)	223
4.13	SELTEC, TM-15/16 PARTS (Replaces DK-15 Diesel Kiki Parts)	225
4.14	SELTEC, TM-21HX, (R134a)	226
4.15	SELTEC, TM-26, (R12)	227
4.16	SELTEC, TM-26, (R134a)	227
4.17	SELTEC, TM-26 PARTS	227
4.18	SELTEC, TM-31, (R134a)	228
4.19	SELTEC, TM-31 PARTS	228
4.20	YORK COMPRESSORS & PARTS	229
4.21	YORK COMPRESSOR PARTS	229
4.22	ALMA, A-6, (R12)	230
4.23	ALMA, A-6, (R134a)	230
4.24	ALMA, A-6 PARTS	231
4.25	FORD, (R12)	231
4.26	OIL - COMPRESSOR	231
4.27	COMPRESSOR PLUG WITH DIODE UP-GRADE	232
4.28	SUCTION LINE ACCUMULATOR KITS - COMMON PARTS (98-62790)	233
4.29	SUCTION LINE ACCUMULATOR KIT - SINGLE EVAPORATOR #12 HOSE (76-62258-00) ..	234
4.30	SUCTION LINE ACCUMULATOR KIT - DUAL EVAPORATOR #12 HOSE (76-62258-01)	234
4.31	SUCTION LINE ACCUMULATOR KIT - SINGLE EVAP. #16 & #12 HOSE (76-62258-02)	235
4.32	SUCTION LINE ACCUMULATOR KIT - DUAL EVAP. #16 & #12 HOSE (76-62258-03)	235
SECTION 5 - ELECTRICAL		236
5.1	FUSE AND FUSE HOLDERS	236
5.2	RELAY ASSEMBLIES	237
5.3	CONNECTOR ASSEMBLIES	237
5.4	RELAYS - SOLENOIDS	238
5.5	SWITCHES	238
5.6	SWITCH ASSEMBLIES - TEMPCON	239
5.7	SENSOR ASSEMBLY (KITS)	240

TABLE OF CONTENTS - Continued:

5.8	CIRCUIT BREAKER	240
5.9	PRESSURE SWITCHES	241
5.10	THERMOSTATS	241
5.11	DIODES-LIGHTS-RESISTORS	241
5.12	GAUGES-SENDERS	242
5.13	TERMINAL BOARDS	242
5.14	HARNESS, ELECTRICAL	243
5.15	CONNECTORS, ELECTRICAL	243
5.16	TIES, CABLE	243
5.17	KNOBS AND SWITCHPLATES	243
5.18	READING LIGHTS	243
5.19	FAN BLADES AND FAN ASSEMBLIES	244
5.20	MOTORS	244
5.21	BLOWER ASSEMBLIES	245
5.22	DRIVERS CONTROL PANEL (GEN 1 THROUGH GEN 4)	247
5.23	DRIVERS CONTROL PANEL GEN-5 (VARIABLE)	248
5.24	DRIVERS CONTROL PANEL, (TOTAL CONTROL)	249
5.25	DRIVERS CONTROL PANEL, POWER PACKS	250
5.26	CONTROL PANEL - AC-340 THROUGH AC-866	251
5.27	CONTROL PANEL, STANDARD, GEN V	253
5.28	CONTROL PANEL, AC663	254
5.29	CONTROL PANEL, AC863, 12 VDC	255
5.30	CONTROL PANEL, AC863 - (2) CL	256
5.31	CONTROL PANEL, GSA	257
5.32	CONTROL PANEL, EM-3 GSA	258
5.33	CONTROL PANEL, AC553, 24VDC, GEN V	259
5.34	CONTROL PANEL, GSA TIE-IN	260
5.35	CONTROL PANEL, TOTAL CONTROL, GEN V (OPTIONAL)	261
5.36	CONTROL PANEL, EM WITH CM, 12VDC, GEN V	262
5.37	CONTROL PANEL, EM WITH CM, 24VDC, GEN V	263
5.38	PANEL ASSEMBLY, TOTAL CONTROL, EM-3, GEN 4	264
5.39	CONTROL PANEL, EM-17 SPLIT, KR-4D, (24 VDC)	266
5.40	CONTROL PANEL, EM-17 & CM-5, (WITH HEAT)	268
5.41	CONTROL PANEL, EM-17 & CM-5	270
5.42	PANEL, CONTROL, 3-SPEED OPTION, (GEN 5)	272
5.44	PANEL ASSEMBLY, (GEN 5), EM-3, TOTAL CONTROL	274
5.45	PANEL ASSEMBLY, ELECTRICAL, EM-3 WITH (1) CM, 3-SPEED OPTION, (GEN 5)	276
5.46	CONTROL PANEL, GEN 5, TOTAL CONTROL	278
5.47	CONTROL PANEL, GEN 4, TOTAL CONTROL	280
5.48	PANEL ASSEMBLY, GEN 4, TOTAL CONTROL, EM-3 WITH (1) CM	282
5.49	CONTROL PANEL, EM-3, GEN V, VARIABLE SPEED	284
5.50	CONTROL PANEL, EM-3, GEN 5, THREE SPEED	285

TABLE OF CONTENTS - Continued:

5.51	CONTROL PANEL, THOMAS C2, (1) EM-1/2/7, (1) CM (056)	286
5.52	CONTROL PANEL, THOMAS C2, (1) EM-1/2/7, (1) CM WITH DASH AIR	288
5.53	CONTROL PANEL, THOMAS C2, (1) EM-3, (1) CM-3 (058)	290
5.54	CONTROL PANEL, THOMAS C2, (1) EM-3, (1) CM-3 (070)	292
5.55	CONTROL PANEL, THOMAS C2, (1) EM-1/2/7, KR-4	294
5.56	CONTROL PANEL, THOMAS C2, (1) EM-1/2/7, KR-4 WITH INDASH	296
5.57	CONTROL PANEL, THOMAS C2, (1) EM-1/2/7, (1) CM (079)	298
5.58	PANEL ASSEMBLY, THOMAS C2, (1) EM-1/2/7, (1) CM (081)	299
5.59	PANEL ASSEMBLY, THOMAS C2, (1) EM-1/2/7, (1) CM (082)	300
5.60	PANEL ASSEMBLY, THOMAS C2, (1) EM-1/2/7, KR-4 (083)	301
5.61	PANEL ASSEMBLY, THOMAS C2, (1) EM-1/2/7, KR-4, WITH IN-DASH (084)	302
5.62	PANEL ASSEMBLY, THOMAS C2, (1) EM-1/2/7, (1) CM (085)	303
SECTION 6 - ENGINE KIT PARTS		304
6.1	BUSHINGS - IDLERS - ECCENTRICS - FAN SPACERS	304
6.2	PULLEYS	305
6.3	PULLEYS	306
6.4	BELTS, POLY-V, 6 GROOVES, 0.840 WIDTH	307
6.6	BELTS, POLY-V, 8 GROOVES, 1.120 WIDTH	308
6.8	V-BELT, SINGLE "A" GROOVE	309
6.11	V-BELT, SINGLE "B" GROOVE	311
6.12	V-BELT, 2 GROOVE, BANDED	311
6.13	HOSE, MISCELLANEOUS	312
6.14	INSULATION TUBE, (HEAT)	312
SECTION 7 - MISCELLANEOUS		313
7.1	HOSECOVERS AND ACCESSORIES	313
7.2	HOSECOVERS - 2 PIECE DESIGN	314
7.3	HARDWARE KIT, EVAPORATOR MOUNTING TO CHANNELS, (REAR)	315
7.4	HARDWARE KIT, EVAPORATOR COVER MOUNTING, (REAR AND SIDE MOUNT)	315
7.5	CORNER DUCTING	316
7.6	LOUVERS	317
7.7	REFRIGERATION COMPONENTS	318
7.8	THERMAL EXPANSION VALVE, BLOCK	318
7.9	SIGHTGLASSES	319
7.10	DRIERS	319
7.11	PLASTIC FITTINGS	320
7.12	INSULATED CLAMPS	320
7.13	STAUFF CLAMPS	321
7.14	HOSE CLAMPS	321
7.15	CONDENSATE VALVE & DRAIN HOSE	321
7.16	MISCELLANEOUS CLAMPS	322
7.17	RETURN AIR FILTERS	322

INTRODUCTION

This parts list identifies service replacement parts for Carrier Transport Air Conditioning Split System components. The air conditioning/heating system consists of a condenser module, evaporator module, electrical controls and engine compartment mounted compressor. To complete the system, the air conditioning and heating equipment interfaces with electrical cabling, engine cooling piping, duct work and other components.

Information is supplied throughout the manual in sections outlining the major components. These sections include; the Evaporator Section, Condenser Section, Power Packs & Auxiliary Drive Modules Section, Fitting & Hose Section, Compressor Section, Electrical Section, Mount Kit Section and Miscellaneous Section. Each section is divided to provide information on various sizes of equipment and where required, various generations of design. Identification of the various size equipment is identified by model designation while generation of design is identified by serial number.

ORDERING INSTRUCTIONS

All orders and inquiries for parts must include: Unit Serial Number, Part No., description of part as shown on list and quantity required. Address all correspondence for parts to the following address or Fax number:

MAIL : CARRIER TRANSICOLD DIVISION
Performance Parts Group, TR-20
P.O. Box 4805
Syracuse, NY 13221
PHONE 800-255-7382
FAX: 315- 432-3778

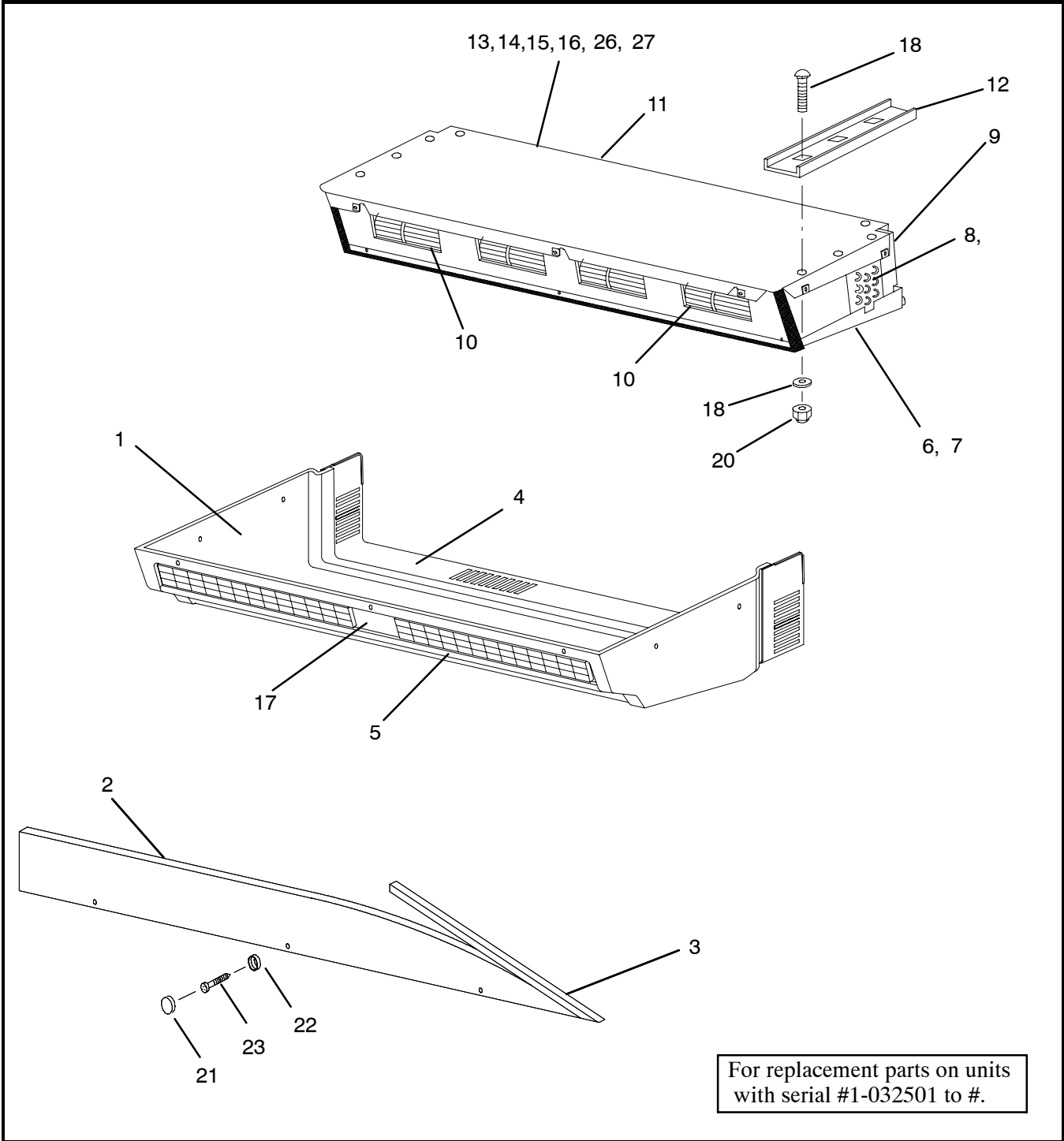
GENERAL NOTES

1. This catalog contains those items most commonly required for replacement purposes. If parts other than those cataloged are required, please provide the model number and serial number of the unit on which the parts are to be used and a complete description including references to items which are cataloged.
2. The replacement parts listed in this catalog are PPG "Factory-Authorized Parts" and, as a result of "standardization," may not be identical to the original part furnished on the equipment.
3. The following letter designations are used to classify parts throughout this list:
 - A/R = As Required,
 - H/C = Heat/Cool,
 - N/A = Not Available
 - N/S = Not Shown On Illustration
 - NSS = Not Sold Separately,
 - REF = For Reference Only

SECTION 1 - EVAPORATORS

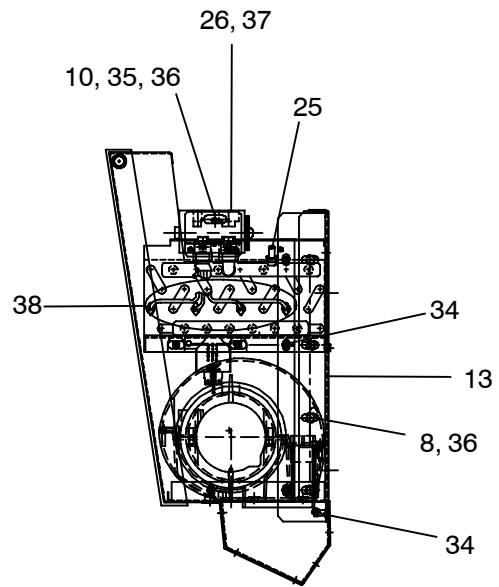
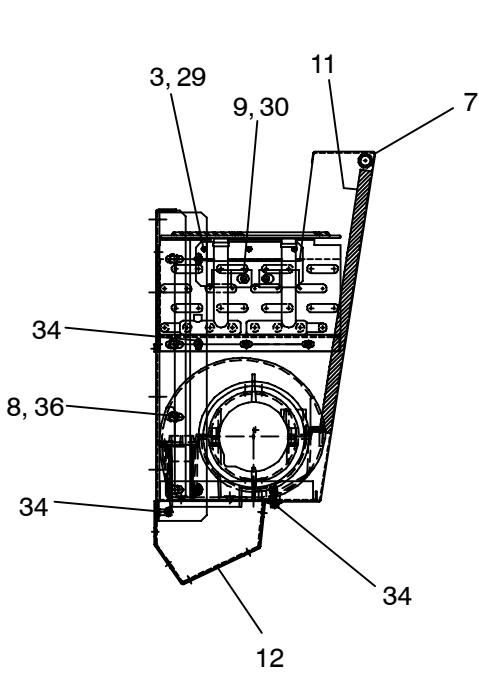
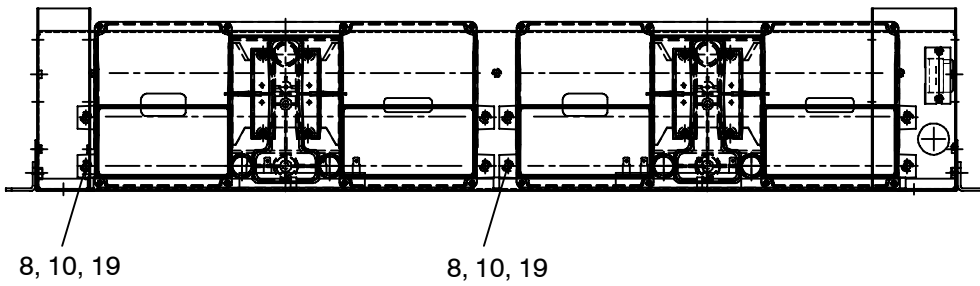
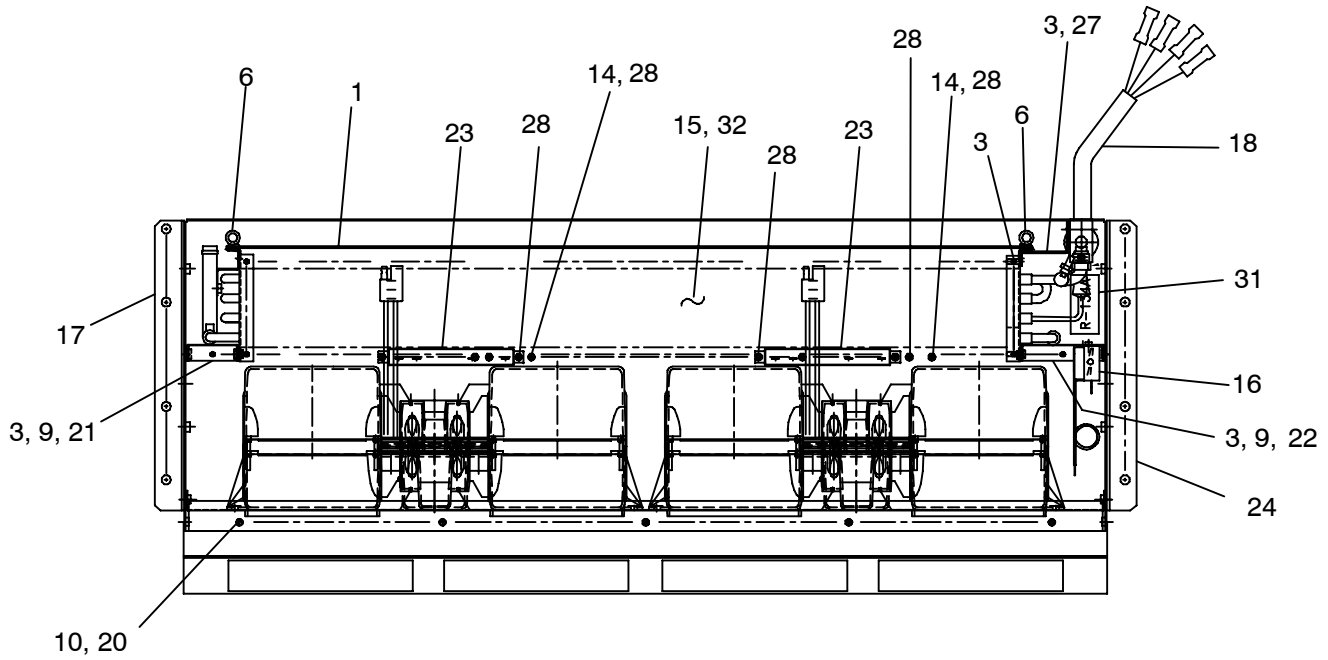
SECTION 1.1 EM-1 EVAPORATORS

1.1.1 EVAPORATOR, EM-1, GEN 4, FREE BLOW



1.1.1 EVAPORATOR, EM-1, GEN 4, FREE BLOW - Continued:			
Item	Part Number	Description	Qty
1	79-62071-00	Cover Assembly, White	1
	79-62071-01	Cover Assembly, Gray	1
2	68-62576-01	Trim Strip, White/Gray	1
3	AC801-412F25	Flexible Trim, Black (25 Ft. Roll)	1
4	AC022-251	Grill, Return Air Inlet, Painted Black	1
5	AC401-320	Louver Assembly, (14 3/8 Inch X 3 3/8 Inch)	2
6	AC022-712-S	Drain Pan Assembly, Includes:	1
7	AC022-313 Baffel, Foamed, Drain Pan	1
8	AC022-708-S	Coil, Assembly, Without Heat (.006 Fins - 14 Per inch)	1
	08-62059-00	Coil, Assembly, With Low Pressure Switch Connection, With Heat	1
	08-62060-00	Coil, Assembly, With Low Pressure Switch Connection, Cool Only	1
9	14-00301-03	Thermal Expansion Valve	1
10	AC401-232	Blower Assembly, Dual, 12 Volt	2
	AC401-233	Blower Assembly, Dual, 24 Volt	2
11	AC801-405	Filter, Return Air, (35 X 7 1/4 Inch)	1
12	AC020-009	Channel, Mounting	2
13	AC201-501	Thermostat, Freeze-Up	1
14	76-62019-00	Resistor Kit, (1.8 Ohm, 4 Prong)	2
15	22-62125-00	Harness, Evaporator, GSA, 12 VDC	1
	22-62240-00	Harness, Evaporator, W/Low Pressure Switch, 12 VDC	1
	AC022-717	Harness, Evaporator, 24 VDC	1
16	AC022-289	Emblem, Carrier	1
17	34-01310-01	Bolt, Carriage Head, 3/8-16 X 4 Inch, Full Thread, GD-8, Zinc Plated	4
18	34-00588-13 Washer, Flat, 3/8 Inch, Zinc Plated	4
19	34-00361-13 Nut, Hex, Lock, 3/8-16, Zinc Plated	4
20	76-62103-00	Hardware Kit, Cover Mounting To Unit, Gray, Includes:	1
21	AC801-529 Washer, Snap Cap	8
22	AC801-532 Snap Cap, Gray	8
23	34-62046-00 Screw, Pan Head, Phillips, #10 X 5/8 Inch, AB, Black	8
24	76-62103-04	Hardware Kit, Cover Mounting To Unit, White, Includes:	1
21	AC801-529 Washer, Snap Cap	8
22	AC801-531 Snap Cap, White	8
23	34-62046-00 Screw, Pan Head, Phillips, #10 X 5/8 Inch, AB, Black	8
25	AC201-412	Switch, Low Pressure	1
26	AC801-202	O-Ring, 1/2 Inch, TXV	2
27	AC022-700	Bracket, TXV Support	1

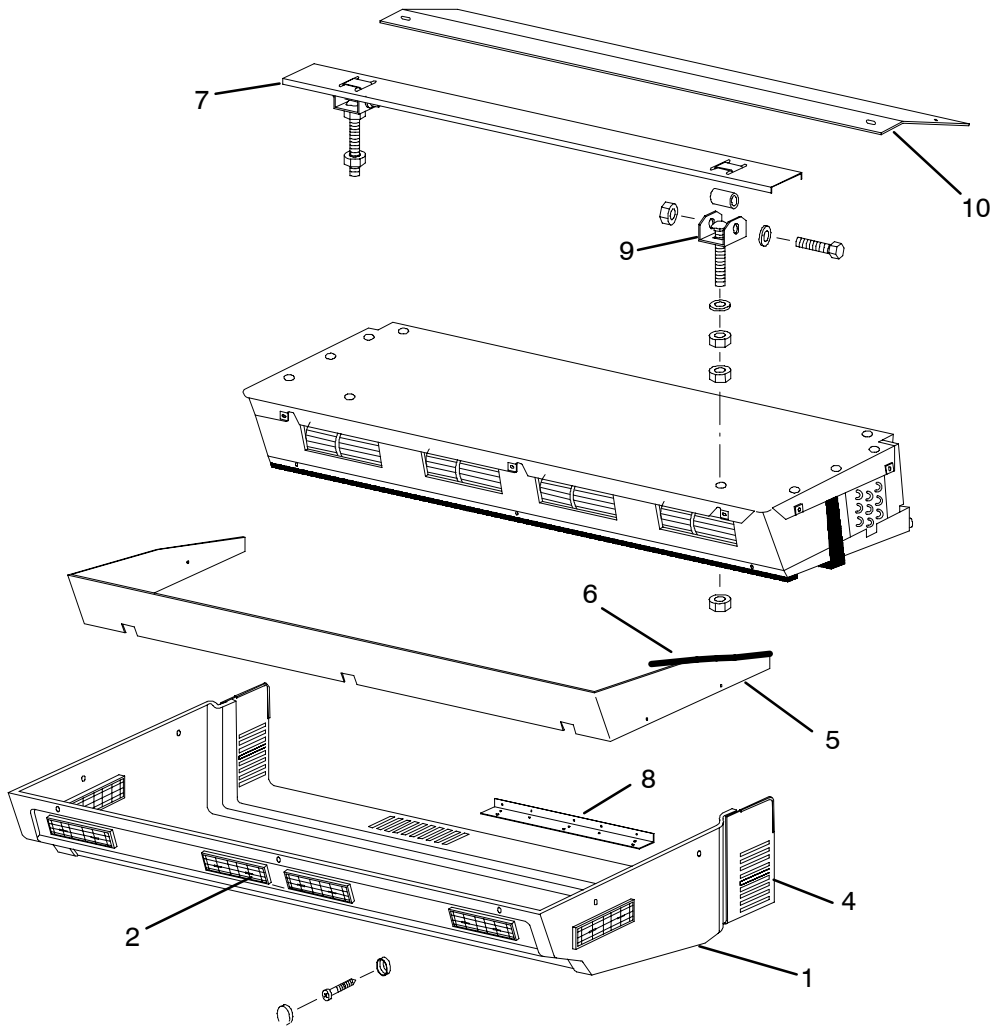
1.1.2 EVAPORATOR, EM-1, GEN 4 CHASSIS KIT WITH HEAT



REF. KIT ASSEMBLY 77-62012-01 H

1.1.2 EVAPORATOR, EM-1, GEN 4 CHASSIS KIT WITH HEAT - Continued:			
Item	Part Number	Description	Qty
1	AC801-405	Filter, Return Air (.090 Thick x 8.00 x 35.38 Inches)	1
2	66U1-3882	Wire Tie, Self-Locking, 7.00 Inches, Black	4
3	AC701-401	Rivet, Pop, 3/16, Steel	11
4	42-62137-00	Insulation, Drain Pan	1
5	AC801-412F25	Gasket, Trimlock, Black (25 Ft. Roll)	1
6	42-00264-12F25	Seal, Trim/Bulb, 3/16 x 5/8 Inch Diameter, Black, 25 Feet Roll	1
7	86-62503-00	Drain Pan Assembly, Evaporator, Painted	1
8	34-62055-00	Screw, Hex Head, W/Split Lockwasher, 1/4-20 x .62 Inch Long, SST	16
9	34-62050-04	Screw, Phillips, W/External Tooth Lockwasher, #10-32 x 0.50 Inch Long	8
10	34-00361-61	Nut, Self-Locking, 1/4-20, Zinc	14
11	AC022-313	Baffle, Drain Pan, Foam	1
12	79-62112-00	Plenum Assembly, Painted	1
13	68-62213-00	Panel Assembly, Top	1
14	AC021-142	Angle, Bracket, Harness Stand-Off	2
15	08-62059-00	Coil Assembly, Evaporator/Heater, With Low Pressure Switch Connection	1
16	12-00547-00	Thermostat, Freeze-Up, Non-Adjustable	1
17	68-62211-00	Bracket, Unit Mounting, Painted	1
18	22-62266-00	Harness Assembly, Evaporator	1
19	54-00588-00	Fan & Motor Assembly, Evaporator, 12 VDC - Includes:	2
19.1	22-02338-04	...Holder, Fuse, 25 AMP	1
19.2	22-02336-05	...Fuse, 25 AMP	1
20	68-62208-00	Panel Assembly, Front, Painted	1
21	68-62209-00	Baffle Assembly, Roadside, Painted	1
22	68-62210-00	Baffle Assembly, Curbside, Painted	1
23	22-62011-00	Resistor, 1.8 OHM, 4 Prong	2
24	68-62212-00	Bracket, Unit Mounting, Painted	1
25	AC201-412	Switch, Pressure, Low, Non-Adjustable	1
26	14-00301-03	Valve, Thermal Expansion, Block Type, R134a	1
27	AC022-700	Bracket, Support, TXV	1
28	34-62051-05	Screw, Pan Head, W/Lockwasher, #8-32 x 0.31 Inch Long, Zinc	7
29	AC022-701	Bracket Assembly, Coil Support	1
30	AC701-274	Clamp, Conduit, 3/8 Inch, Slotted Hole	2
31	62-62039-00	Label, Charge Only With R-134a	1
32	AC022-743-1	Gasket, Coil, Neoprene, Adhesive Backed	1
33	62-04062-01	Label, Warranty I.D.	1
34	34-00917-08	Screw, Hex Head, W/Captive Washer, #10-32 x .50 Inch Long, Zinc	13
35	34-00655-12	Screw, Cap Hex Head, 1/4-20 x 1.50 Inch Long, SST	1
36	34-00662-11	Washer, Flat, 1/4 Inch, SST	10
37	AC801-202	O-Ring, 1/2 Inch, HNBR	2
38	42-00032-00	Tape, Insulation, Presstite, 2.00 x 30.00 Feet Long	1

1.1.3 SIDE MOUNT EVAPORATOR, EM-1 & 2, GEN 4

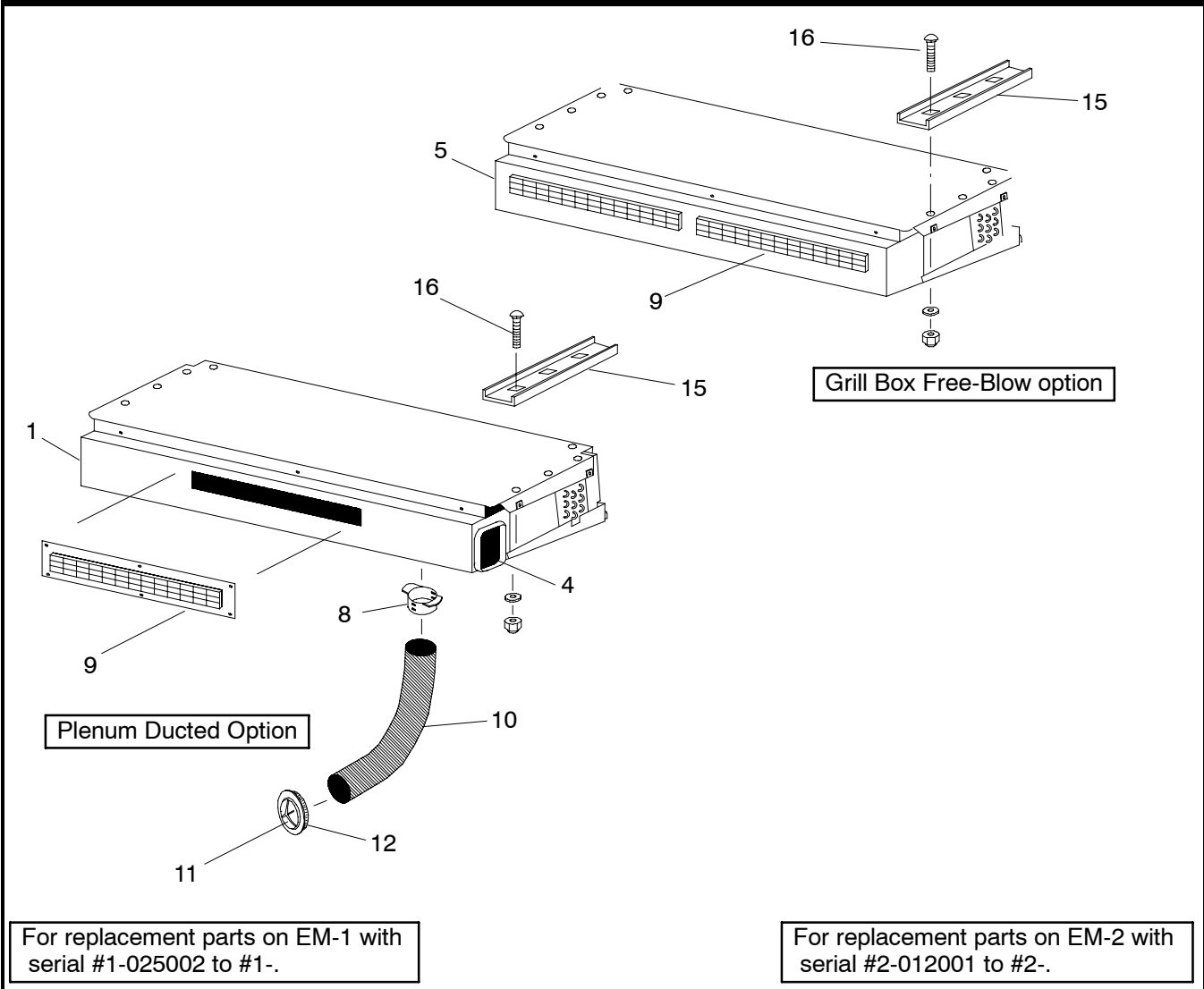


For replacement parts on EM-1
with serial #1-25002 to #1-

For replacement parts on EM-2
with serial #2-012001 to #2-

Item	Part Number	Description	Qty
1	79-62075-00	Cover Assembly, White	1
	79-62075-01	Cover Assembly, Gray	1
	N/A	Cover Assembly, Beige, (AC022-479-S)	1
2	AC401-308	Louver Assembly, With Bezel, (3 Inch X 7 Inch)	6
3	AC022-289	Emblem, Carrier, (2-7/8 Inch)	1
4	AC022-290P	Grill, Return Air, Painted	1
5	AC022-286-1	Trim Strip, White, (39-1/2 x 31/4 Inches)	1
	AC022-286-2	Trim Strip, Gray, (39-1/2 x 31/4 Inches)	1
6	AC801-412F25	Trim, Flexible, Black (25 Ft. Roll)	1
7	AC020-174	Weldment, Hanger	1
8	AC020-179P	Angle, Support, Rear Screen, (Painted)	1
9	AC021-223	Hanger, Front	2
10	AC022-292	Hanger, Rear	1

1.1.4 PLENUM & GRILL BOX FOR EVAPORATORS EM-1 & 2, GEN 4

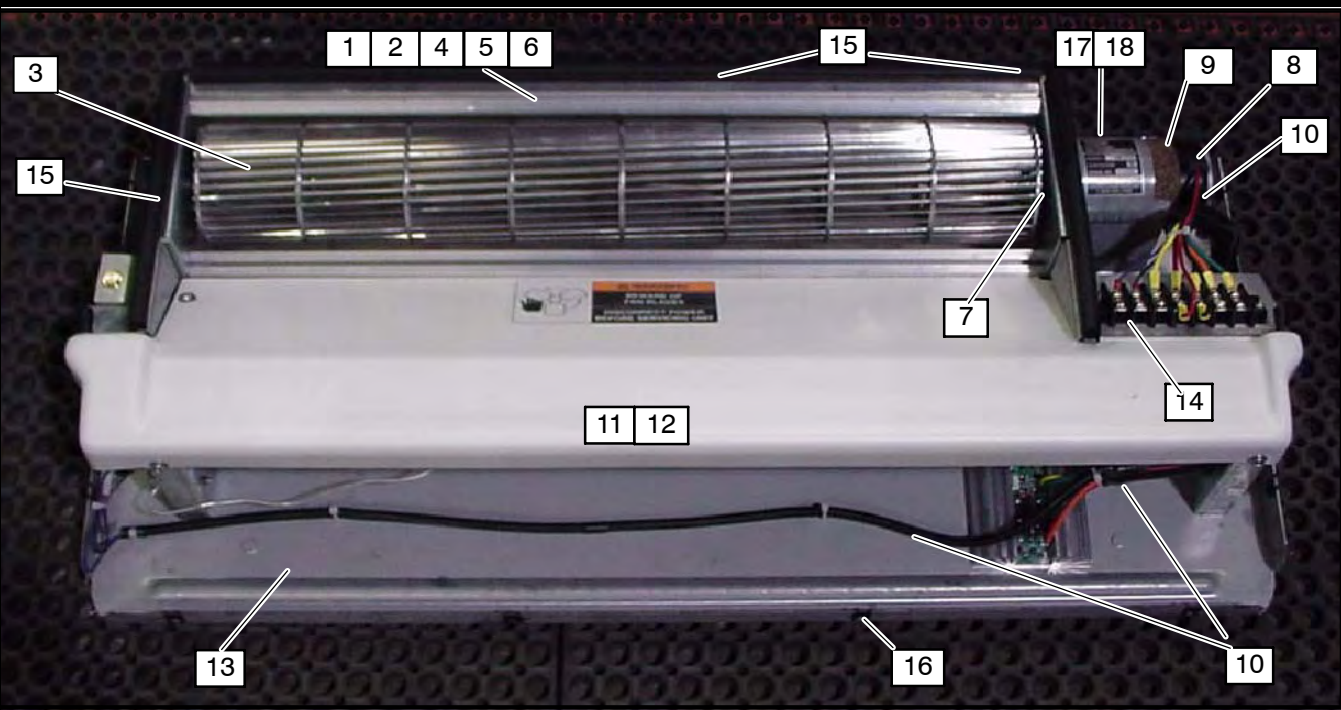


For replacement parts on EM-1 with serial #1-025002 to #1-.

For replacement parts on EM-2 with serial #2-012001 to #2-.

Item	Part Number	Description	Qty
1	AC022-298	Weldment, Plenum, EM-1	1
2	AC022-302	Bottom Panel, Plenum, EM-1	1
3	AC022-463	Angle, Plenum, EM-1/2	1
4	AC021-152	Block-Off Plate, EM-2	2
5	AC022-327P	Weldment, Grillbox, EM-1, (Painted)	1
6	AC022-331P	Grillbox Bottom, EM-1, (Painted)	1
7	AC022-464P	Plate, Louver, EM-1, (Painted)	1
8	AC401-307	Adapter, Hose, 2-1/2 Inch	2
9	AC401-320	Louver, 14-3/8 Inch X 3-3/8 Inch	2
10	AC301-205	Duct, Hose, 2-1/2 inch X foot	3
11	58-01386-00	Louver, Ball, 2-1/2 inch with Hose Back	2
12	AC401-306	Ring, Mounting, Louver Ball	2
13	AC801-400	Gasket, Foam, 1/8 inch X 54 inch X foot	1.5
14	AC801-414	Gasket, Foam, 3/8 inch X 1 inch X 25 Foot Roll	1
15	AC020-009	Channel, Mounting	2
16	34-01310-01	Bolt, Carriage Head, 3/8-16 X 4, Full Thread, GD-8, Zinc Plated	4

1.1.5 EVAPORATOR, EM-1, GEN-V, FREE BLOW, REAR MOUNT



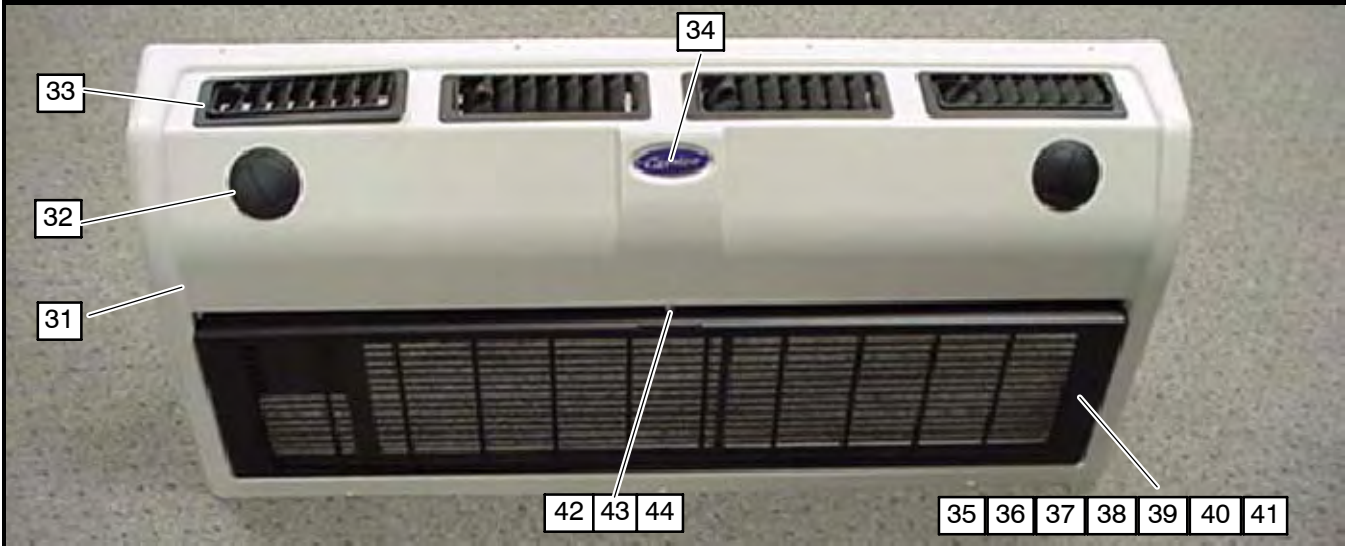
Item	Part Number	Description	Qty
1	NSS	Blower Housing & Gasket Assembly, (79-62079-00) Includes:	1
2	NSSBlower Housing & Wheel Assembly, (38-00564-00) Includes:	1
3	38-00564-50Blower Wheel (Length: 29.12 Inches - 739.8 mm)	1
4	38-00564-60Blower Housing	1
5	42-62118-00Gasket, Mounting, Blower Housing, 1/8 Inch Thick Neoprene	2
6	42-62117-00Gasket, Blower Housing, 3/16 Inch Thick Neoprene	1
7	34-00482-05Set Screw, Cup Point, 1/4-28, SS	1
8	54-00621-00	Motor, Evaporator, EM-1, 12 VDC, (GEN-V)	1
	54-00621-03	Motor, Evaporator, EM-1, 24 VDC, (GEN-V)	1
9	42-62052-00	Gasket, Motor, (GenV)	1
10	22-62099-00	Harness Assembly, Evap., With Speed Control, (12-00533-00, NSS)	1
	22-62168-00	Harness Assembly, Evap., 3 Speed	1
	22-62168-01	Harness Assembly, Evap., 3 Speed, With Return Air Sensor	1
11	79-62106-00	Drain Pan Assembly, EM-1 - Includes:	1
11.1	42-62140-00Baffle, drain Pan, Foam	1
12	68-62711-00	Bracket Assembly, Drain Pan (W/O .440 Hole)	1
	68-62711-01	Bracket Assembly, Drain Pan (W/2 .440 Holes)	1
13	68-62722-00	Panel, Top, EM-1, (GenV)	1
14	22-62100-00	Terminal Block, 7 Position, With Stainless Steel Screws	1
15	58-62064-00F25	Trim Seal, 1/8 Inch Grip, (25 Foot Roll)	1
16	AC701-123	Tinnerman Clip, High Torque, #10AB	8
17	68-62725-00	Bracket, Motor Mounting	1
18	68-08087-00	Shim, Bracket, Motor Mounting (Located Under Motor Mounting Bracket)	1

1.1.5 EVAPORATOR, EM-1, GEN-V, FREE BLOW, REAR MOUNT, - Continued



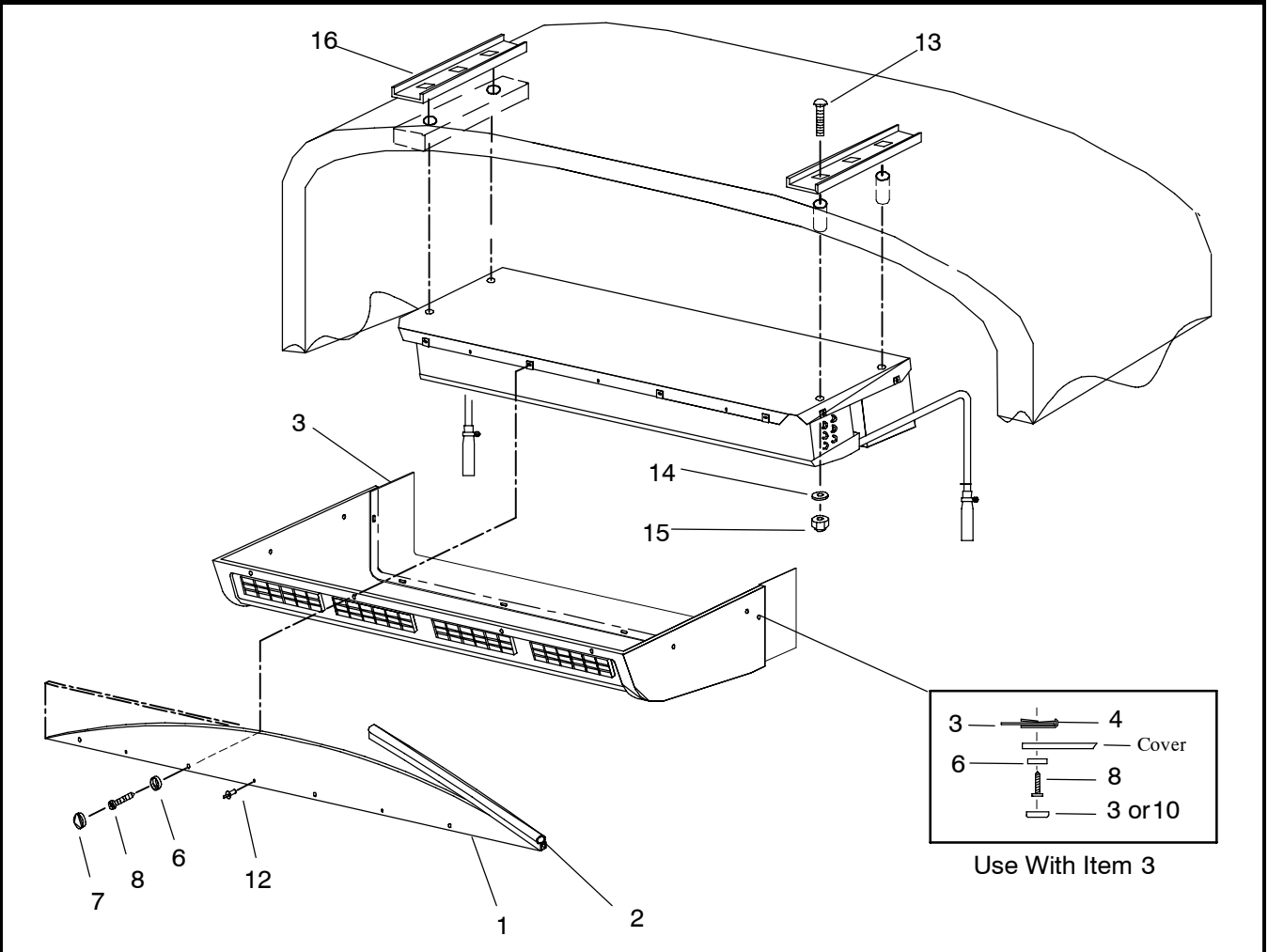
Item	Part Number	Description	Qty
19	79-02358-00	Coil Assembly, Includes:	1
20	08-62031-00Coil Assembly, EM-1	1
21	AC201-412Switch, Pressure, Low	1
22	14-00301-03Valve, Thermal Expansion, R134a	1
23	AC801-202O-Ring, 1/2 Inch	2
24	42-00032-00Tape, Insulation, Presstite, 2.00 Inch X 30 Feet Long	1
25	12-00547-00	Thermostat, Freeze, Non-Adjustable	1
26	76-62257-00	Bearing Housing & Boot Repair Kit - Includes:	1
27	NSSHousing, Bearing, Blower Wheel 38-00564-70	1
28	NSSBoot, Rubber, Blower Wheel 38-00564-71	1
29	AC701-401	Pop Rivet, 3/16, Steel	2
30	79-62086-01	Bracket Assembly, TXV	1

1.1.5 EVAPORATOR, EM-1, GEN-V, FREE BLOW, REAR MOUNT - Continued



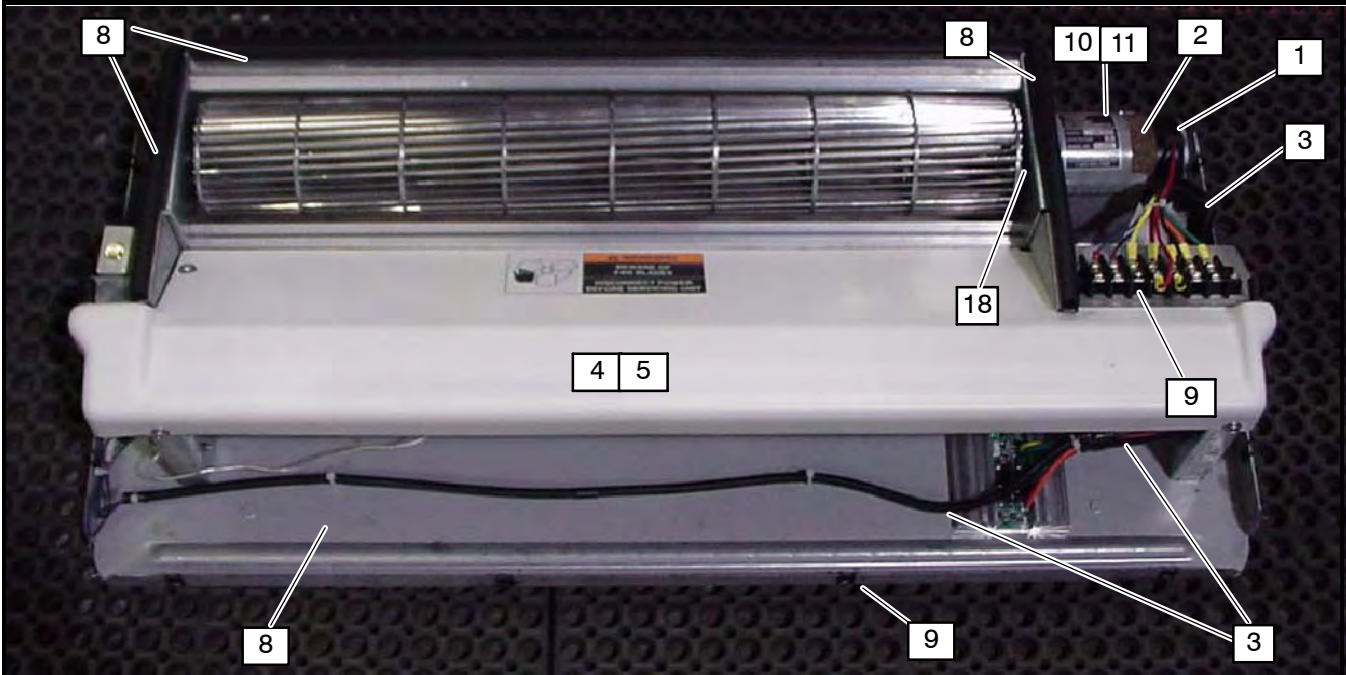
Item	Part Number	Description	Qty
31	79-62035-01	Cover Assembly, Complete, Rear Mount, White	1
	79-62035-02	Cover Assembly, Complete, Rear Mount, Gray	1
32	58-01385-00	Louver, Evaporator, 3 Inch (Requires Retaining Ring 58-01385-01)	2
	58-01385-01	Ring, Retaining, Louver (Used With Louver 58-01385-00)	2
33	58-62042-00	Louver, Rectangle (8.0 X 3.0 Inches)	4
34	AC022-289	Emblem, Carrier	1
35	38-00573-01	Filter, Air, 36.5 X 9.0 Inches, EM-1, (GenV)	1
36	76-50128-00	Grill Kit, EM-1 - Includes: (Replaces Grill 68-62735-00 & Channel 68-62736-00)	1
37	68-63275-01 Grill, Evaporator, EM-1, GEN V, (Painted)	1
38	68-63276-01 Door, Filter, EM-1, Gen V, (Painted)	1
39	68-63277-01 Baffel, Cover, EM-1, Gen V	1
40	AC701-403 Rivet, Pop, 1/8 inch, Steel (Fasten Door to Grill)	2
41	AC701-400 Rivet, Pop, 3/16 inch, Steel (Faster Baffel & Grill to Cover)	7
N/S	98-50168-00 Instructions, Grill, Door & Baffel Installation	1
42	34-62019-00	Receptacle, 1/4 Turn	1
43	34-62020-00	Stud, 1/4 Turn, .25 Grip Range	1
44	34-06169-01	Washer, Retaining, .215 I. D.	1

1.1.6 INSTALLATION COMPONENTS, EM-1, GEN V, REAR MOUNT



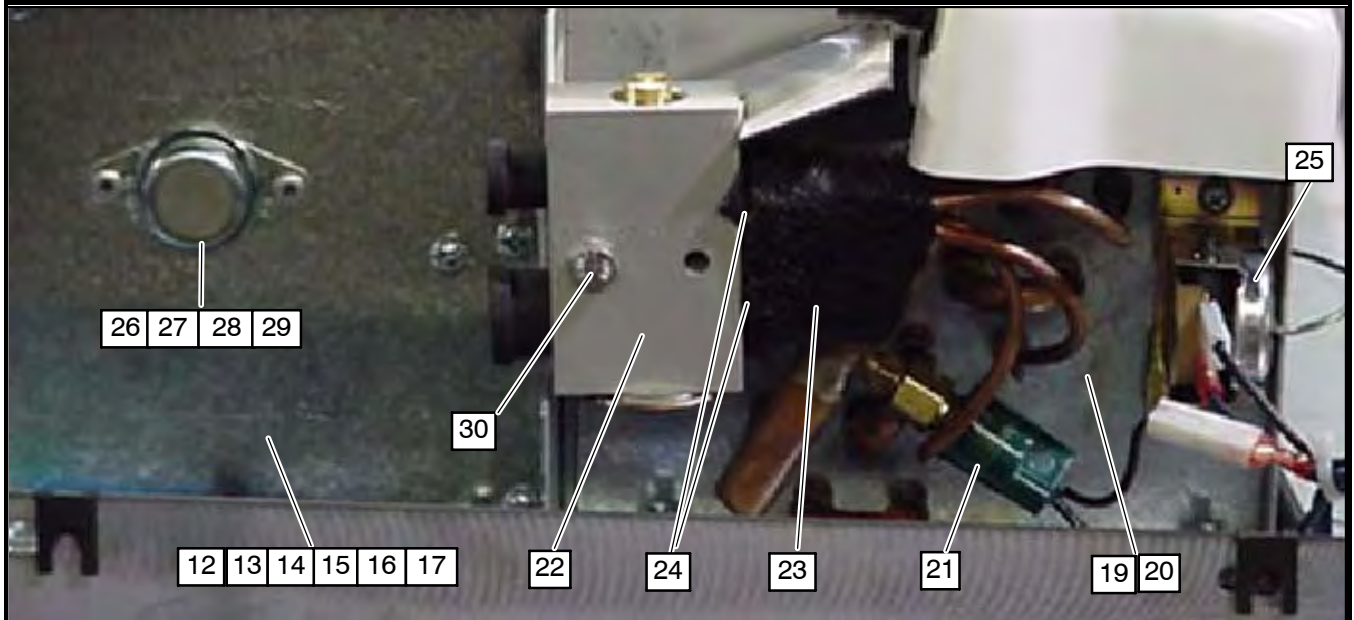
Item	Part Number	Description	Qty
1	68-62660-00	Trim Strip, Gray One Side & White Other Side, EM-1	1
2	AC801-412F25	Gasket, Trimlock, Black (25 Ft. Roll)	1
3	68-62662-00	Panel, Gray, Rear (Requires Additional Item #5)	1
	68-62662-01	Panel, White, Rear (Requires Additional Item #9)	1
4	AC701-123	Tinnerman Clip, Hi Torque, #10 AB	5
5	76-62103-00	Hardware Kit, Cover Mounting To Unit, Gray, Includes:	1
6	AC801-529 Washer, Snap Cap	8
7	AC801-532 Snap Cap, Gray	8
8	34-62046-00 Screw, Pan Head, Phillips, #10 X 5/8 Inch, AB, Black	8
9	76-62103-04	Hardware Kit, Cover Mounting To Unit, White, Includes:	1
6	AC801-529 Washer, Snap Cap	8
10	AC801-531 Snap Cap, White	8
8	34-62046-00 Screw, Pan Head, Phillips, #10 X 5/8 Inch, AB, Black	8
11	76-62103-01	Hardware Kit, Unit Mounting To Channels, Includes:	1
12	AC701-403 Rivet, Pop, 1/8-Steel	3
13	34-01310-01 Bolt, Carriage, 3/8-16 X 4 Inches, Full Thread, GD-8, Zinc Plated	4
14	34-00588-13 Washer, Flat, 3/8 Inch, Zinc Plated	4
15	34-00361-13 Nut, Hex, Lock, 3/8-16, Zinc Plated	4
16	AC020-009	Channel, Mounting, 3/16 X 30 Inches Long	2
	AC021-360	Channel, Mounting, 3/16 X 15.75 Inch, (Model 77-62112-80 & -82 Only)	2

1.1.7 EVAPORATOR, EM-1, GEN-V, FREE BLOW, SIDE MOUNT



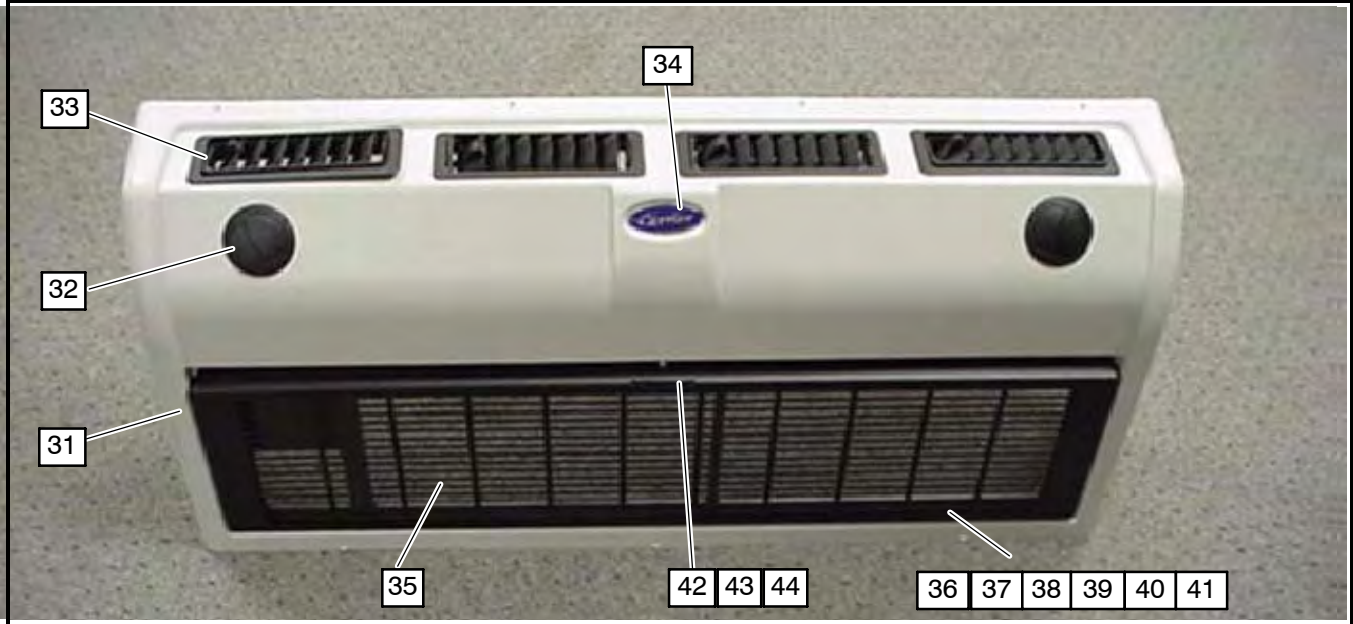
Item	Part Number	Description	Qty
1	54-00621-00	Motor, Evaporator, EM-1, 12 VDC, (GEN-V)	1
	54-00621-03	Motor, Evaporator, EM-1, 24 VDC, (GEN-V)	1
2	42-62052-00	Gasket, Motor, (GenV)	1
3	22-62099-00	Assembly, Harness, Evap., With Speed Control, (12-00533-00, NSS)	1
	22-62168-00	Harness Assembly, Evap., 3 Speed	1
	22-62168-01	Harness Assembly, Evap., 3 Speed, With Return Air Sensor	1
4	79-62106-00	Drain Pan Assembly, EM-1 - Includes:	1
4.1	42-62140-00Baffle, Drain Pan, Foam	1
5	68-62711-00	Bracket Assembly, Drain Pan (W/O .440 Hole)	1
	68-62711-01	Bracket Assembly, Drain Pan (W/2 .440 Holes)	1
6	68-62722-00	Panel, Top, EM-1, (GenV)	1
7	22-62100-01	Terminal Block, 7 Position, (50 Amp) Includes Stainless Steel Screws	1
8	58-62064-00F25	Trim Seal, 1/8 Inch Grip, (25 Foot Roll)	1
9	AC701-123	Tinnerman Clip, High Torque, #10AB	8
10	68-62725-00	Bracket, Motor Mounting	1
11	68-08087-00	Shim, Bracket, Motor Mounting (Located Under Mounting Bracket)	1

1.1.7 EVAPORATOR, EM-1, GEN-V, FREE BLOW, SIDE MOUNT - Continued:



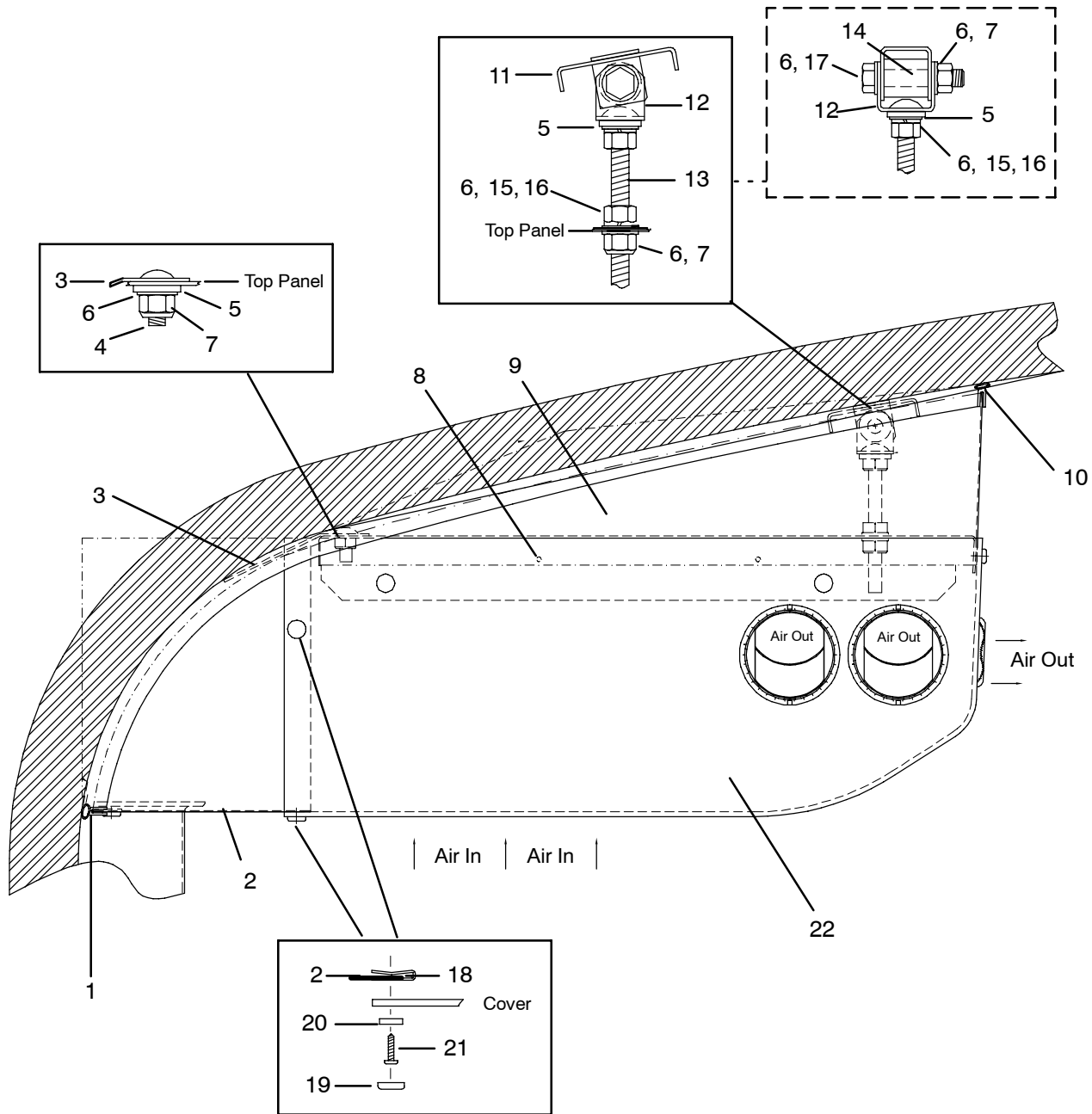
Item	Part Number	Description	Qty
12	NSS	Blower Housing & Gasket Assembly, (79-62079-00) Includes:	1
13	NSSBlower Housing And Wheel Assembly (38-00564-00)	1
14	38-00564-50Blower Wheel (Length: 29.12 Inches - 739.8 mm)	1
15	38-00564-60Blower Housing	1
16	42-62118-00Gasket, Mounting, Blower Housing, 1/8 Inch Thick Neoprene	2
17	42-62117-00Gasket, Blower Housing, 3/16 Inch Thick Neoprene	1
18	34-00482-05Set Screw, Cup Point, 1/4-28, SS	1
19	79-02358-00	Coil Assembly, Includes:	1
20	08-62031-00Coil Assembly, EM-1	1
21	AC201-412Switch, Pressure, Low	1
22	14-00301-03Valve, Thermal Expansion, R134a	1
23	42-00032-00Tape, Insulation, Presstite, 2.00 Inch X 30 Feet Long	1
24	AC801-202O-Ring, 1/2 Inch	2
25	12-00547-00	Thermostat, Freeze, Non-Adjustable	1
26	76-62257-00	Bearing Housing & Boot Repair Kit - Includes:	1
27	NSSHousing, Bearing	1
28	NSSBoot, Rubber	1
29	AC701-401	Pop Rivet, 3/16 SD62BS, Steel	2
30	79-62086-01	Bracket Assembly, TXV	1

1.1.7 EVAPORATOR, EM-1, GEN V, SIDE MOUNT - Continued:



1.1.7 EVAPORATOR, EM-1, GEN V, SIDE MOUNT - Continued:			
Item	Part Number	Description	Qty
31	79-62036-01	Cover Assembly, Complete, Side Mount, White	1
	79-62036-02	Cover Assembly, Complete, Side Mount, Gray	1
32	58-01385-00	Louver, Evaporator, 3 Inch (Requires Retaining Ring 58-01385-01)	6
	58-01385-01	Ring, Retaining, Louver (Used With Louver 58-01385-00)	6
33	58-62042-00	Louver, Rectangle (8.0 X 3.0 Inches)	4
34	AC022-289	Emblem, Carrier	1
35	38-00573-01	Filter, Air, EM-1, 36.5 X (Inches (GenV)	1
36	76-50128-00	Grill Kit, EM-1 - Includes: (Replaces Grill 68-62735-00 & Channel 68-62736-00)	1
37	68-63275-01 Grill, Evaporator, EM-1, GEN V, (Painted)	1
38	68-63276-01 Door, Filter, EM-1, Gen V, (Painted)	1
39	68-63277-01 Baffel, Cover, EM-1, Gen V	1
40	AC701-403 Rivet, Pop, 1/8 inch, Steel (Fasten Door to Grill)	2
41	AC701-400 Rivet, Pop, 3/16 inch, Steel (Faster Baffel & Grill to Cover)	7
N/S	98-50168-00 Instructions, Grill, Door & Baffel Installation	1
42	34-62019-00	Receptacle, 1/4 Turn	1
43	34-62020-00	Stud, 1/4 Turn, .25 Grip Range	1
44	34-06169-01	Washer, Retaining, .215 I. D.	1

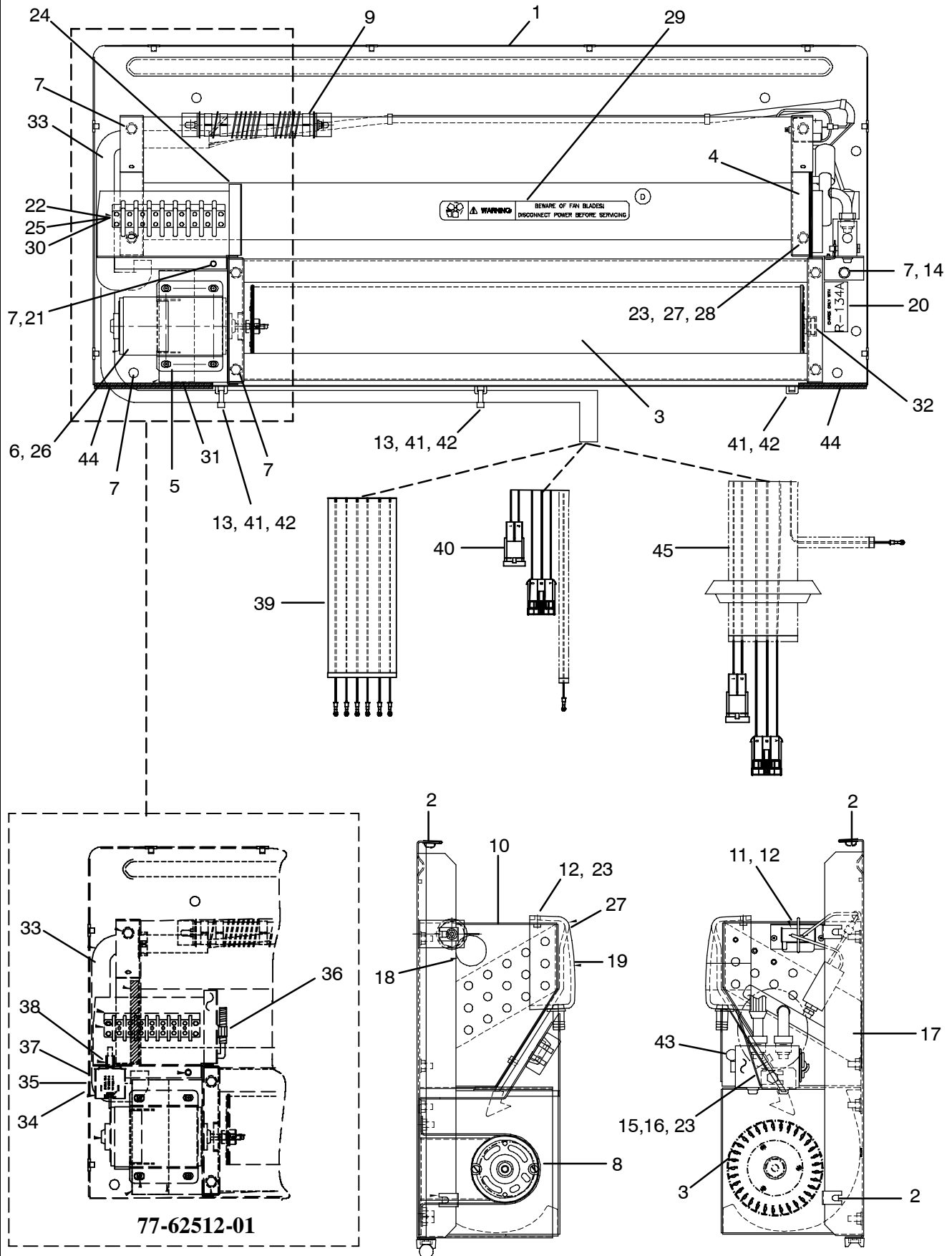
1.1.8 INSTALLATION COMPONENTS, EM-1, GEN-V, SIDE MOUNT



Item	Part Number	Description	Qty
1	AC020-179P	Support Angle	1
2	68-62662-00	Trim Strip, Rear, Gray	1
	68-62662-01	Trim Strip, Rear, White	1
3	AC022-292	Rear Hanger, Side Mount	1
4	34-01310-00	Bolt, Carriage, Round Head, 3/8-16 X 1-1/4 Inch, Zinc plated	2
5	AC601-602	Spacer, Steel, 7/8 OD X 1/2 ID X 1/8 InchLong	2
6	34-00588-13	Washer, Flat, 3/8 Inch, Zinc Plated	8
7	34-00361-13	Nut, Hex, Lock, 3/8-16, Zinc Plated	6
8	AC701-403	Rivet, Pop, 1/8 Inch, Steel	4

1.1.8 INSTALLATION COMPONENTS, EM-1, GEN-V, SIDE MOUNT - Continued:			
Item	Part Number	Description	Qty
9	68-62734-00	Trim Strip, Side, Gray	1
	68-62734-01	Trim Strip, Side, White	1
10	AC801-412F25	Gasket, Trimlock, Black (25 Ft. Roll)	1
11	AC020-174	Bracket, Weld Assembly, Front Hanger	1
12	AC021-223	Bracket, Hanger, Front	2
13	34-01310-02	Bolt, Carriage, Round Head, 3/8-16 X 6 Inch, Zinc plated	2
14	AC601-616	Spacer, Steel, 7/8 OD X 1/2 ID X 1 Inch Long	2
15	34-00368-13	Washer, Split Lock, 3/8 Inch, Zinc Plated	6
16	34-00363-13	Nut, Hex, 3/8-16, Zinc Plated	4
17	17-40034-05	Bolt, Hex Head, 3/8-16 X 2 Inch, Zinc Plated, Grade 8	2
18	AC701-123	Tinnerman Clip, Hi Torque, #10 AB	8
19	AC801-531	Cap, Snap, White	8
	AC801-532	Cap, Snap, Gray	8
20	AC801-529	Washer, Snap Cap	8
21	34-62046-00	Screw, Pan Head Phillips, #10 X 5/8 Inch, AB, Black	8
22	79-62036-01	Cover Assembly, White, EM-1	1
	79-62036-02	Cover Assembly, Gray, EM-1	1

1.1.9 EM-1, GEN-V, 3 SPEED CHASSIS KITS 77-62512-00 THRU -07 (COMMON PARTS)

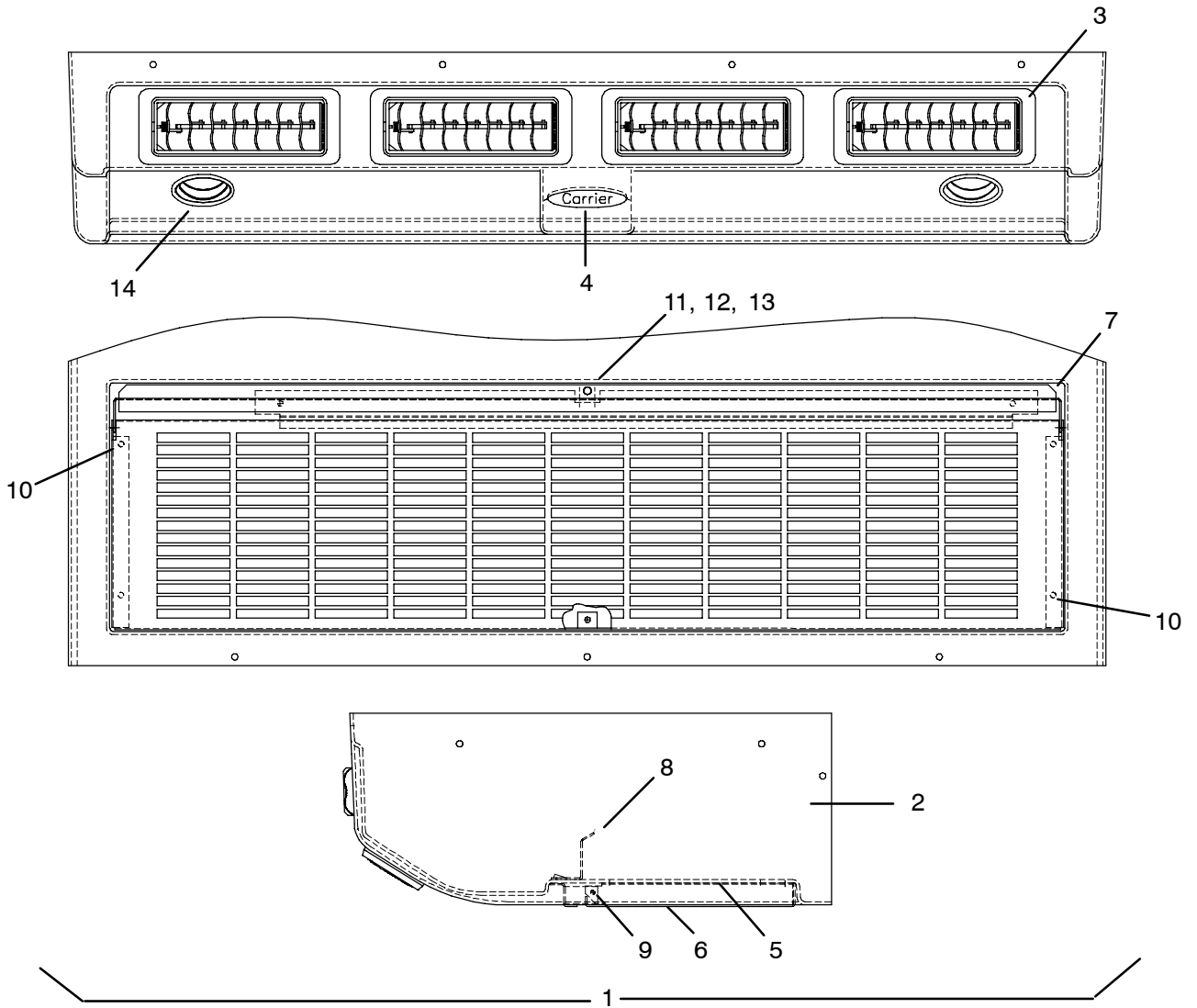


Reference Model Numbers: 77-62512-00, -01, -05, -06, -07

1.1.9 EM-1, GEN-V, 3 SPEED CHASSIS KITS 77-62512-00 THRU -07 (COMMON PARTS) - Cont:			
Item	Part Number	Description	Qty
1	68-62722-00	Panel Assembly, Top	1
2	AC701-123	Clip, Retaining, High Torque	10
3	NSS	Blower Housing & Gasket Assembly, (79-62079-00) Includes:	1
3.1	NSSBlower Housing & Wheel Assembly, (38-00564-00) Includes:	1
3.2	38-00564-50Blower Wheel (Length: 29.12 Inches - 739.8 mm)	1
3.3	38-00564-60Blower Housing	1
3.4	42-62118-00Gasket, Mounting, Blower Housing, 1/8 Inch Thick Neoprene	2
3.5	42-62117-00Gasket, Blower Housing, 3/16 Inch Thick Neoprene	1
3.6	34-00482-05Set Screw, Cup Point, 1/4-28, SST	1
4	AC801-401	Gasket, Foam, 3/16 x 3/8 x 50 Feet Roll	1
5	68-62725-00	Bracket, Motor Mounting	1
6	54-00621-00	Motor, Evaporator, EM-1, 12 VDC, (GEN-V)	1
7	34-62018-00	Nut, Flanged, Serrated Lock, 1/4-20, Zinc Plated	16
8	68-62726-00	Strap, Motor Support	1
9	22-62169-00	Resistor, Fan Speed, 220 Watt, .820 OHM	1
10	79-02358-00	Coil Assembly, Includes:	1
10.1	08-62031-00Coil Assembly, EM-1	1
10.2	AC201-412Switch, Pressure, Low	1
10.3	14-00301-03Valve, Thermal Expansion, R134a	1
10.4	AC801-202O-Ring, 1/2 Inch	2
11	12-00547-00	Thermostat, Freeze, Non-Adjustable	1
12	34-62050-04	Screw, Pan Head With External Tooth Washer, #10-32 x 0.50 Inch Long	5
13	66U1-3882	Wire Tie, Self-Locking, 7.00 Inches, Black	A/R
14	79-62086-01	Bracket Assembly, TXV	1
15	34-00655-12	Screw, Hex Head, 1/4-20 x 1.50 Inch Long, SST	1
16	AC701-101	Nut, Speed, 'J' Type, 1/4-20	1
17	AC022-743-5	Gasket, Coil, Neoprene, Adhesive Backed	1
18	58-62065-00	Bushing, Plastic, 1.00 Inch I.D.	1
19	79-62106-00	Drain Pan Assembly, EM-1 - Includes:	1
19.1	42-62140-00Baffle, Drain Pan, Foam	1
20	62-62039-00	Label, CHARGE ONLY WITH R134a	1
21	68-62711-01	Bracket, Mounting, Terminal Strip	1
22	22-62100-01	Terminal Block, 7 Position, Without Screws	1
23	34-06212-12	Washer, Plain, 1/4, SST	5
24	58-62064-00F25	Trim Seal, 1/8 Inch Grip, (25 Foot Roll)	1
25	34-62023-00	Screw, Binder Head, Phillips/Slotted, #10-32 x 0.38 Inch Long	14
26	42-62052-00	Gasket, Motor, (GenV)	1
27	34-62057-03	Screw, Pan Head, #10-32 x 0.75 Inch Long	1
28	34-00372-09	Washer, Lock, External Tooth, #10	1
29	62-62045-00	Label, WARNING FAN BLADES	2
30	34-00733-05	Nut, Hex, Keps, #8-32, Zinc	2
31	68-08087-00	Spacer, Motor Mounting (Located Under Mounting Bracket)	1
32	76-62257-00	Bearing Housing & Boot Repair Kit - Includes:	1
32.1	NSSHousing, Bearing, Blower Wheel	1
32.2	NSSBoot, Rubber, Blower Wheel	1
32.3	AC701-401	Pop Rivet, 3/16, Steel	2

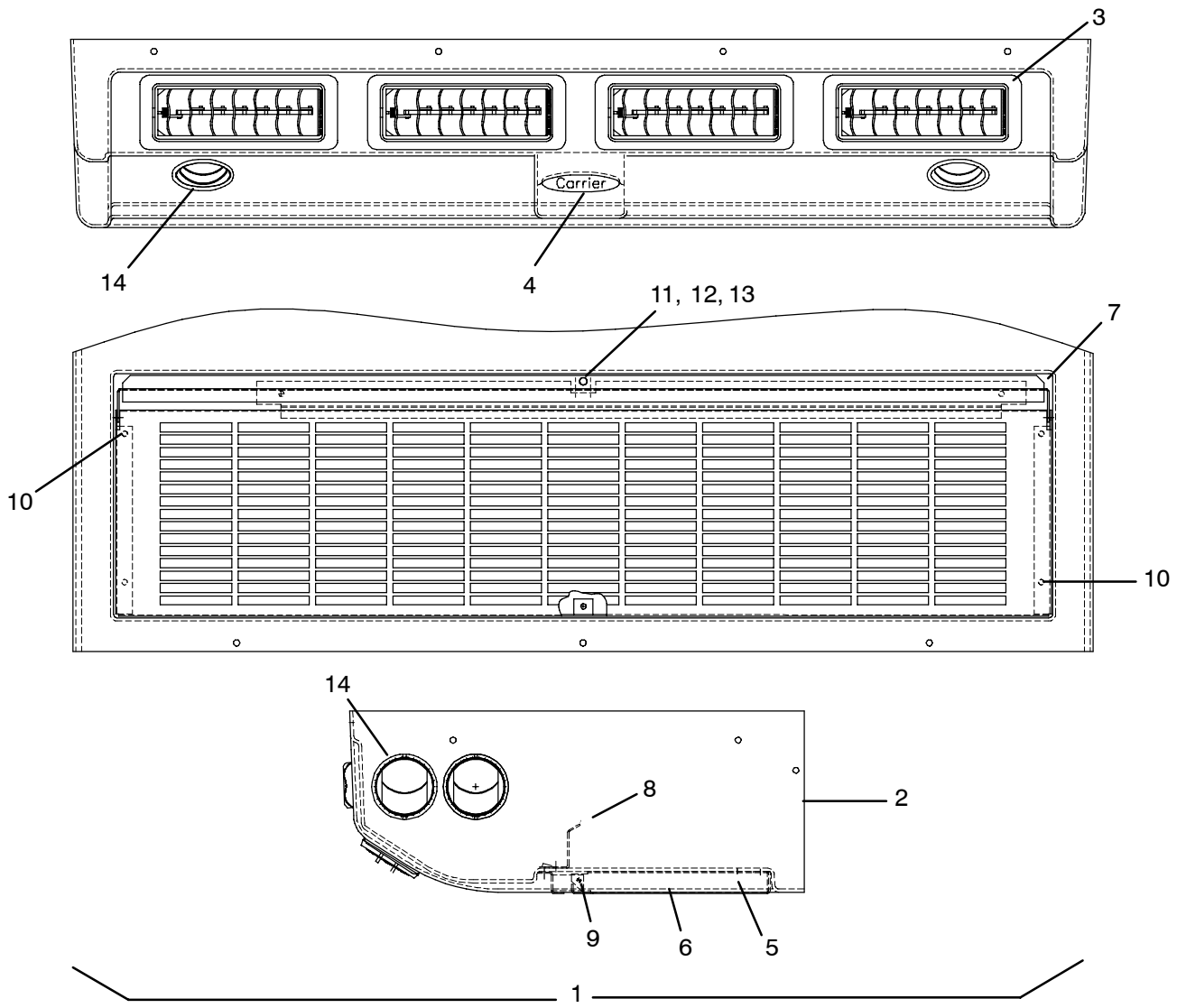
1.1.10 EM-1, GEN-V, 3 SPEED CHASSIS KIT 77-62512-00 (SPECIFIC PARTS LIST)			
Item	Part Number	Description	Qty
33	22-62168-00	Wire Harness Assembly, Evaporator, 3 Speed	1
1.1.11 EM-1, GEN-V, 3 SPEED CHASSIS KIT 77-62512-01 (SPECIFIC PARTS LIST)			
Item	Part Number	Description	Qty
33	22-62168-01	Wire Harness Assembly, Evaporator, 3 Speed	1
34	AC201-500	Thermostat, Return Air Sensor	1
35	22-04065-00	Wire Assembly, Jumper	1
36	AC701-206	Clamp, Thermostat Coil	1
37	58-00858-00	Tubing, Split, Corrugated, 1/4 Inch I.D. x 25 Foot Long	1
38	AC202-307	Nut, Hex, Fan Speed Switch	1
1.1.12 EM-1, GEN-V, 3 SPEED CHASSIS KIT 77-62512-05 (SPECIFIC PARTS LIST)			
Item	Part Number	Description	Qty
33	22-62168-00	Wire Harness Assembly, Evaporator, 3 Speed	1
39	22-62261-00	Wire Harness, Evaporator	1
1.1.13 EM-1, GEN-V, 3 SPEED CHASSIS KIT 77-62512-06 (SPECIFIC PARTS LIST)			
Item	Part Number	Description	Qty
33	22-62168-00	Wire Harness Assembly, Evaporator, 3 Speed	1
40	22-62204-00	Wire Harness, Evaporator, TBB-C2	1
41	AC701-401	Rivet, Pop, 3/16 Steel	3
42	AC701-303	Tie, Cable Holder	3
43	58-00616-02	Plug, Hole, Nylon, 0.50 Diameter	1
44	AC801-412F25	Trim, Flexible, Black (25 Ft. Roll)	1
1.1.14 EM-1, GEN-V, 3 SPEED CHASSIS KIT 77-62512-07 (SPECIFIC PARTS LIST)			
Item	Part Number	Description	Qty
33	22-62168-00	Wire Harness Assembly, Evaporator, 3 Speed	1
45	22-62247-00	Wire Harness, Evaporator, TBB-C2	1
41	AC701-401	Rivet, Pop, 3/16 Steel	3
42	AC701-303	Tie, Cable Holder	3
43	58-00616-02	Plug, Hole, Nylon, 0.50 Diameter	1
44	AC801-412F25	Trim, Flexible, Black (25 Ft. Roll)	1

1.1.15 COVER ASSEMBLY, EM-1, GEN-V, 3 SPEED, REAR MOUNT



Item	Part Number	Description	Qty
1	79-62035-01	Cover Assembly, Complete, Rear Mount, White - Includes:	1
	79-62036-02	Cover Assembly, Complete, Rear Mount, Gray - Includes:	1
2	NSSCover Trimmed, EM-1 White	1
	NSSCover Trimmed, EM-1 Gray	1
3	58-62042-00Louver, Rectangle (8.0 X 3.0 Inches)	4
4	AC022-289Emblem, Carrier	1
5	38-00573-01Filter, Air, EM-1, 36.5 X 9 Inches (GenV)	1
6	68-63275-01Grill, Evaporator, EM-1, GEN V, (Painted)	1
7	68-63276-01Door, Filter, EM-1, Gen V, (Painted)	1
8	68-63277-01Baffel, Cover, EM-1, Gen V	1
9	AC701-403Rivet, Pop, 1/8 inch, Steel (Fasten Door to Grill)	2
10	AC701-400Rivet, Pop, 3/16 inch, Steel (Faster Baffel & Grill to Cover)	7
11	34-62019-00Receptacle, 1/4 Turn	1
12	34-62020-00Stud, 1/4 Turn, .25 Grip Range	1
13	34-06169-01Washer, Retaining, .215 I. D.	1
14	58-62077-00Louver, Adjustable, 3.00 Inch (Round)	2

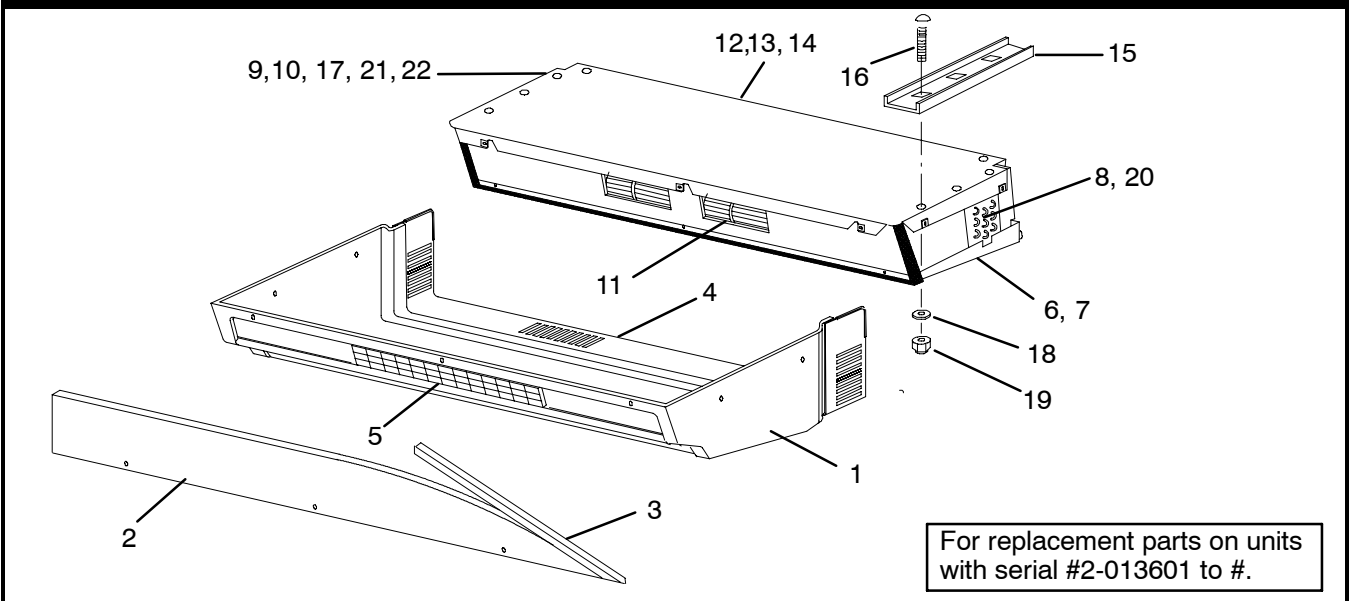
1.1.16 COVER ASSEMBLY, EM-1, GEN-V, 3 SPEED, SIDE MOUNT



Item	Part Number	Description	Qty
1	79-62036-01	Cover Assembly, Complete, Side Mount, White - Includes:	1
	79-62036-02	Cover Assembly, Complete, Side Mount, Gray - Includes:	1
2	NSSCover Trimmed, EM-1 White	1
	NSSCover Trimmed, EM-1 Gray	1
3	58-62042-00Louver, Rectangle (8.0 X 3.0 Inches)	4
4	AC022-289Emblem, Carrier	1
5	38-00573-01Filter, Air, EM-1, 36.5 X 9 Inches (GenV)	1
6	68-63275-01Grill, Evaporator, EM-1, GEN V, (Painted)	1
7	68-63276-01Door, Filter, EM-1, Gen V, (Painted)	1
8	68-63277-01Baffel, Cover, EM-1, Gen V	1
9	AC701-403Rivet, Pop, 1/8 inch, Steel (Fasten Door to Grill)	2
10	AC701-400Rivet, Pop, 3/16 inch, Steel (Faster Baffel & Grill to Cover)	7
11	34-62019-00Receptacle, 1/4 Turn	1
12	34-62020-00Stud, 1/4 Turn, .25 Grip Range	1
13	34-06169-01Washer, Retaining, .215 I. D.	1
14	58-62077-00Louver, Adjustable, 3.00 Inch (Round)	6

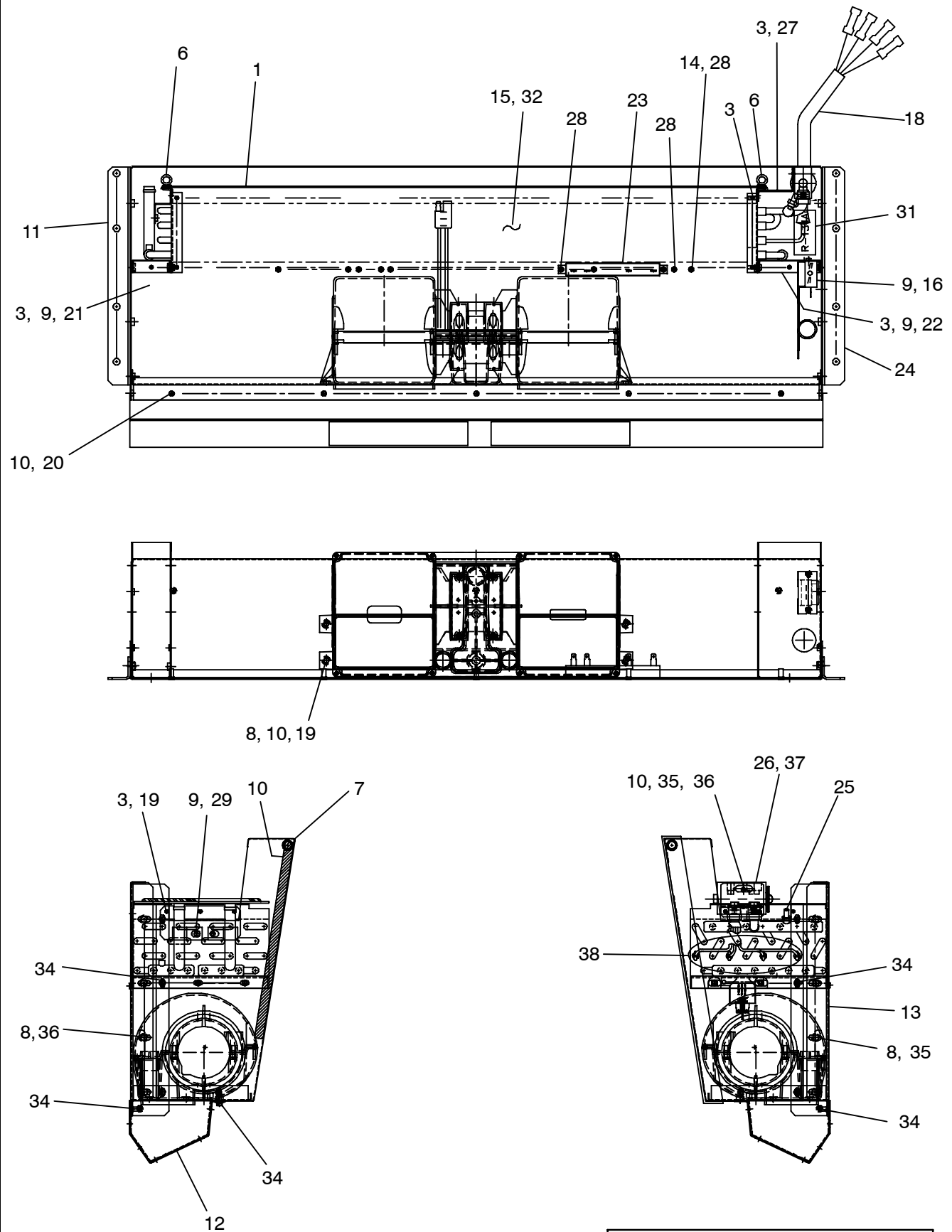
SECTION 1.2 EM-2 EVAPORATORS

1.2.1 EVAPORATOR, EM-2, GEN 4, FREE BLOW



Item	Part Number	Description	Qty
1	79-62072-00	Cover Assembly, White	1
	79-62072-01	Cover Assembly, Gray	1
	N/A	Cover Assembly, Beige, (AC022-346-S)	1
2	68-62576-00	Trim Strip, Beige	1
	68-62576-01	Trim Strip, White/Gray	1
3	AC801-412F25	Flexible Trim, Black (25 Ft. Roll)	1
4	AC022-251	Grill, Air Inlet, Painted (Black)	1
5	AC401-320	Louver Assembly, Air Outlet, (3 3/8 Inch X 14 3/8 Inch)	1
6	AC022-712-S	Drain Pan Assembly, (Foamed)	1
7	AC022-313	Baffle, Foam, EM-2 Drain Pan	1
8	AC022-708-S	Coil Assembly	1
	08-62059-00	Coil Assembly, With Heat, With Low Pressure Switch Connection	1
	08-62060-00	Coil Assembly, With Low Pressure Switch Connection	1
9	14-00301-03	Thermal Expansion Valve, R134a	1
10	AC201-501	Thermostat, Freeze-Up	1
11	AC401-232	Blower, Assembly, Dual, 12 Volt	1
	AC401-233	Blower, Assembly, Dual, 24 Volt	1
12	22-62126-00	Harness, Evaporator, GSA, 12 VDC	1
	22-62225-00	Harness, Evaporator, W/Low Pressure Switch, 12 VDC	1
	AC022-718	Harness, Evaporator, EM-2, 24 VDC	1
13	76-62019-00	Resistor Kit, (1.8 Ohm, 4 Prong)	1
14	AC801-451	Filter, Return Air, (35 X 7 1/4 Inch)	1
15	AC020-009	Channel, Mounting	2
16	34-01310-01	Bolt, Carriage, 3/8-16 X 4 Inch, Full Thread, GD-8, Zinc Plated	4
17	AC801-202	O-Ring, 1/2 Inch	2
18	34-00588-13	Washer, Flat, 3/8-16, Zinc Plated	4
19	34-00361-13	Nut, Hex, Lock, (Esna), 3/8-16, Zinc Plated	4
20	AC201-412	Switch, Low Pressure	1
21	AC801-202	O-Ring, 1/2 Inch, TXV	2
22	AC801-700	Bracket, TXV Support	1

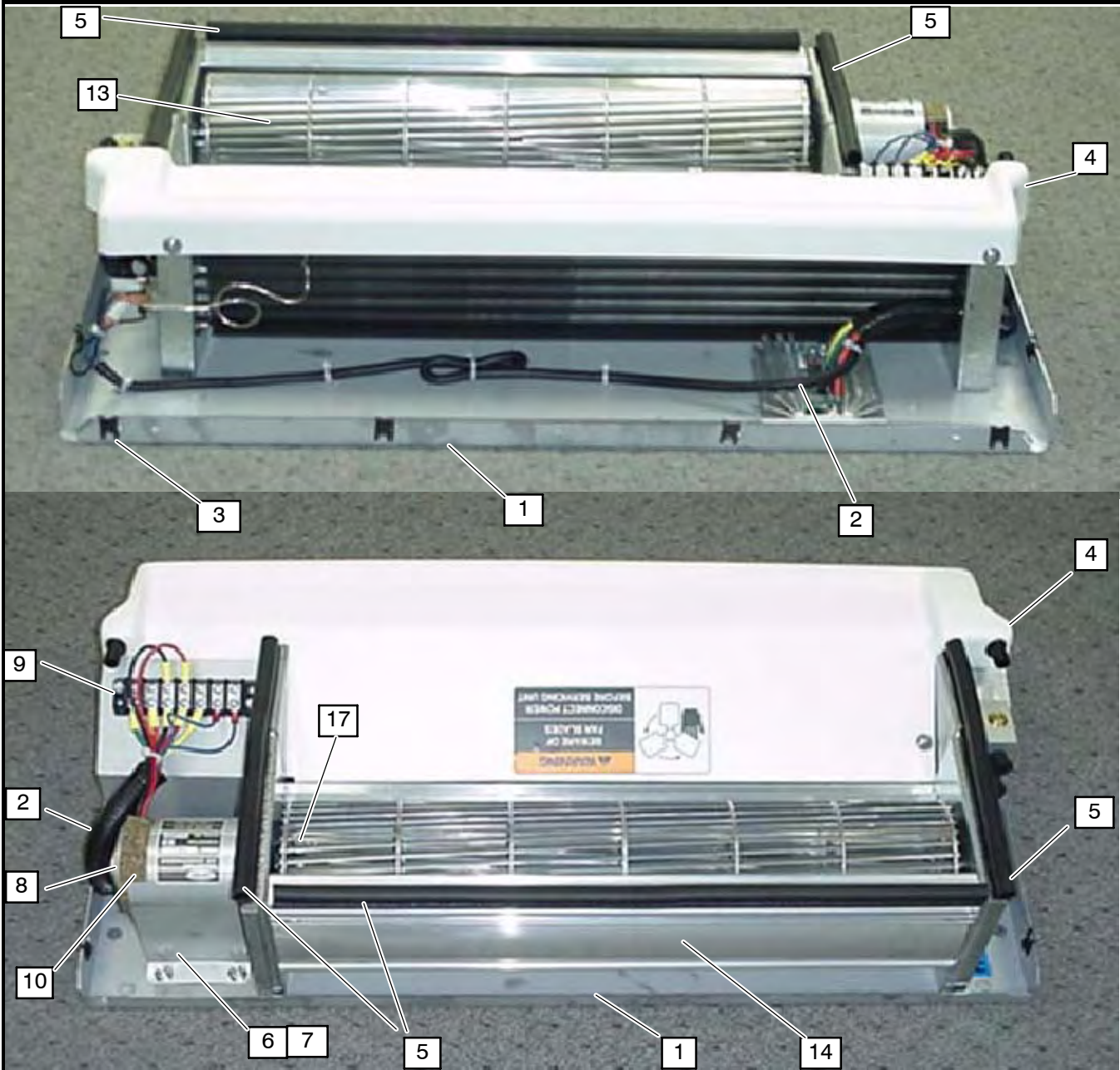
1.2.2 EVAPORATOR, EM-2 CHASSIS KIT WITH HEAT, GEN 4



REF. CHASSIS KIT #77-62210-01 A

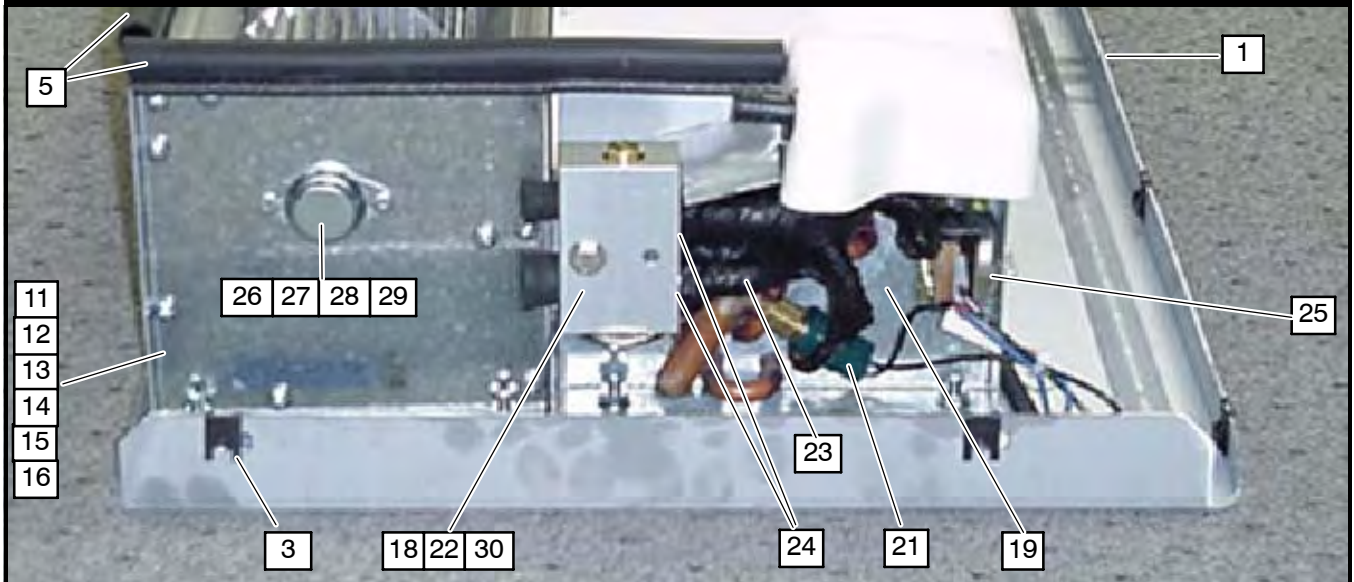
1.2.2 EVAPORATOR, EM-2 CHASSIS KIT WITH HEAT, GEN 4 - Continued:			
Item	Part Number	Description	Qty
1	AC801-405	Filter, Return Air (.090 Thick x 8.00 x 35.38 Inches)	1
2	66U1-3882	Wire Tie, Self-Locking, 7.00 Inches, Black	4
3	AC701-401	Rivet, Pop, 3/16, Steel	11
4	42-62137-00	Insulation, Drain Pan	1
5	AC801-412F25	Gasket, Trimlock, Black (25 Ft. Roll)	1
6	42-00264-12F25	Seal, Trim/Bulb, 3/16 x 5/8 Inch Diameter, Black, 25 Feet Roll	1
7	86-62503-00	Drain Pan Assembly, Evaporator, Painted	1
8	34-62055-00	Screw, Hex Head, W/Split Lockwasher, 1/4-20 x .62 Inch Long, SST	12
9	34-62050-04	Screw, Phillips, W/External Tooth Lockwasher, #10-32 x 0.50 Inch Long	8
10	34-00361-61	Nut, Self-Locking, 1/4-20, Zinc	10
11	AC022-313	Baffle, Drain Pan, Foam	1
12	79-62113-00	Plenum Assembly, Painted	1
13	68-62213-00	Panel Assembly, Top	1
14	AC021-142	Angle, Bracket, Harness Stand-Off	2
15	08-62059-00	Coil Assembly, Evaporator/Heater, With Low Pressure Switch Connection	1
16	12-00547-00	Thermostat, Freeze-Up, Non-Adjustable	1
17	68-62211-00	Bracket, Unit Mounting, Painted	1
18	22-62267-00	Harness Assembly, Evaporator	1
19	54-00588-00	Fan & Motor Assembly, Evaporator, 12 VDC - Includes:	1
19.1	22-02338-04	...Holder, Fuse, 25 AMP	1
19.2	22-02336-05	...Fuse, 25 AMP	1
20	68-62218-00	Panel Assembly, Front, Painted	1
21	68-62209-00	Baffle Assembly, Roadside, Painted	1
22	68-62210-00	Baffle Assembly, Curbside, Painted	1
23	22-62011-00	Resistor, 1.8 OHM, 4 Prong	1
24	68-62212-00	Bracket, Unit Mounting, Painted	1
25	AC201-412	Switch, Pressure, Low, Non-Adjustable	1
26	14-00301-03	Valve, Thermal Expansion, Block Type, R134a	1
27	AC022-700	Bracket, Support, TXV	1
28	34-62051-05	Screw, Pan Head, W/Lockwasher, #8-32 x 0.31 Inch Long, Zinc	4
29	AC022-701	Bracket Assembly, Coil Support	1
30	AC701-274	Clamp, Conduit, 3/8 Inch, Slotted Hole	2
31	62-62039-00	Label, Charge Only With R-134a	1
32	AC022-743-1	Gasket, Coil, Neoprene, Adhesive Backed	1
33	62-04062-01	Label, Warranty I.D.	1
34	34-00917-08	Screw, Hex Head, W/Captive Washer, #10-32 x .50 Inch Long, Zinc	13
35	34-00655-12	Screw, Cap Hex Head, 1/4-20 x 1.50 Inch Long, SST	1
36	34-00662-11	Washer, Flat, 1/4 Inch, SST	10
37	AC801-202	O-Ring, 1/2 Inch, HNBR	2
38	42-00032-00	Tape, Insulation, Presstite, 2.00 x 30.00 Feet Long	1

1.2.3 EVAPORATOR, EM-2, REAR MOUNT, GEN V



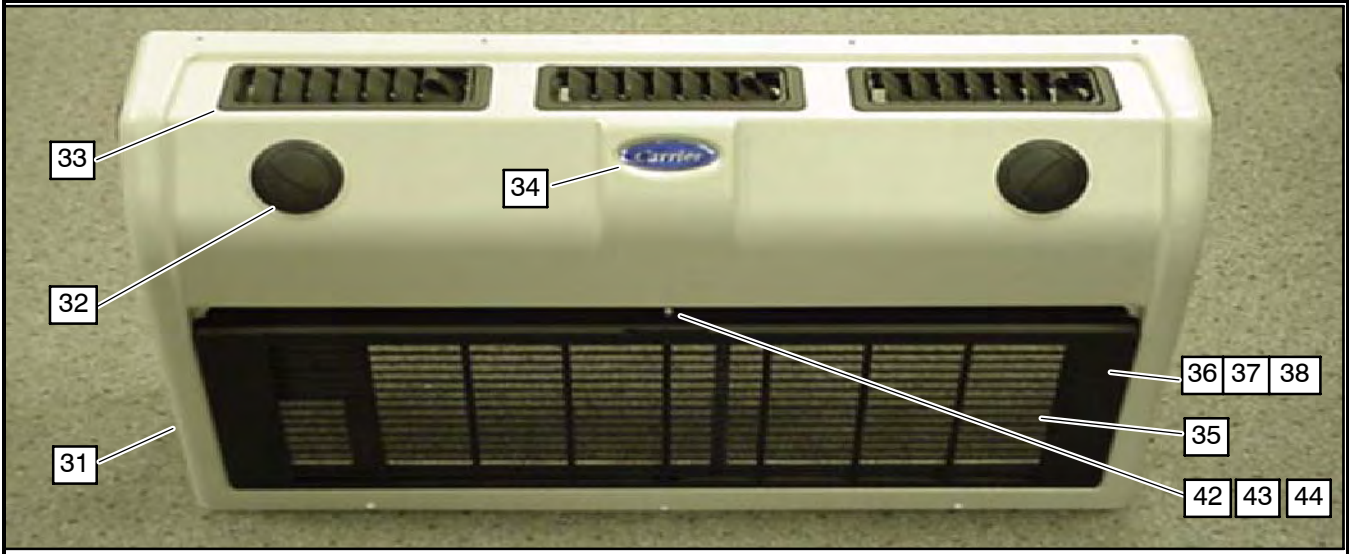
Item	Part Number	Description	Qty
1	68-62852-00	Top Panel, EM-2	1
2	22-62099-00	Harness Assembly, Evap., With Speed Control, (12-00533-00, NSS)	1
	22-62168-00	Harness Assembly, Evap., 3 Speed	1
3	AC701-123	Tinnerman Clip, High Torque, #10AB	8
4	79-62106-01	Drain Pan Assembly, EM-2 - Includes:	1
4.1	42-62140-01Baffle, Drain Pan, Foam	1
5	58-62064-00F25	Trim Seal, 1/8 Inch Grip, (25 Foot Roll)	1
6	68-62725-00	Bracket, Motor Mount	1
7	68-08087-00	Spacer, Motor Alignment	1
8	54-00621-01	Motor, Evaporator, EM-2, 12 VDC, (GEN V)	1
	54-00621-04	Motor, Evaporator, EM-2, 24 VDC, (GEN V)	1
9	22-62141-00	Terminal Block, 7 Position, (30 Amp)	1
10	42-62052-00	Gasket, Motor, (GEN V)	1

1.2.3 EVAPORATOR, EM-2, GEN V, REAR MOUNT - Continued:



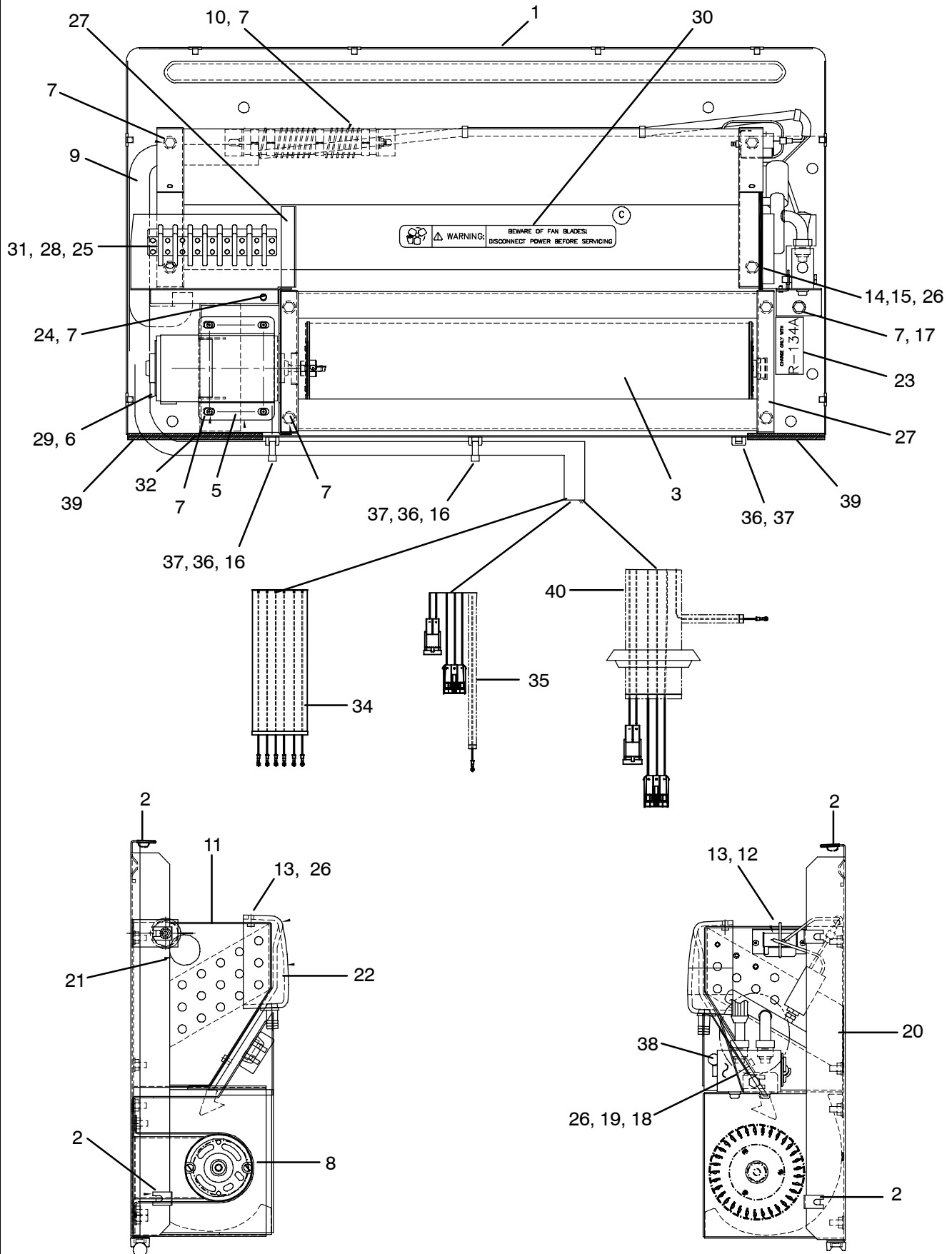
Item	Part Number	Description	Qty
1	68-62852-00	Top Panel, EM-2	1
11	NSS	Blower Housing & Gasket Assembly (79-62079-01) - Includes:	1
12	NSSBlower Housing & Wheel Assembly (38-00564-01) - Includes:	1
13	38-00564-51Blower Wheel (Length: 21.90 Inches - 556.3 mm)	1
14	38-00564-61Blower Housing	1
15	42-62118-00Gasket, Mounting, Blower Housing, 1/8 Inch Neoprene	2
16	42-62117-01Gasket, Blower Housing, 3/16 Inch Neoprene	1
17	34-00482-05Set Screw, Cup Point, 1/4-28, SS	1
18	AC701-101	Tinnerman Clip, High Torque, 1/4-20	1
3	AC701-123	Tinnerman Clip, High Torque, #10AB	8
19	79-02358-01	Coil Assembly. Evaporator, EM-2 - Includes:	1
20	08-62031-01Coil Assembly. EM-2	1
21	AC201-412Switch, Low Pressure	1
22	14-00301-03Valve, Thermal Expansion	1
23	42-00032-00Tape, Insulation, Presstite, 2.00 Inch X 30 Feet Long	1
24	AC801-202O-Ring, 1/2 Inch	2
25	12-00547-00	Thermostat, Freeze-Up, Non Adjustable	1
5	58-62064-00F25	Trim Seal, 1/8 Inch Grip, (25 Foot Roll)	1
26	76-62257-00	Blower Housing & Boot Repair Kit - Includes:	1
27	NSSHousing, Bearing, Blower Wheel	1
28	NSSBoot, Rubber, Blower Wheel	1
29	AC701-401	Pop Rivet, 3/16, Steel	2
30	79-62086-01	Bracket Assembly, TXV	1

1.2.3 EVAPORATOR, EM-2, GEN V, REAR MOUNT - Cont.inued:



1.2.3 EVAPORATOR, EM-2, GEN V, REAR MOUNT - Cont.inued:			
Item	Part Number	Description	Qty
31	79-62044-01	Cover Assembly, Complete, Rear Mount, White	1
	79-62044-02	Cover Assembly, Complete, Rear Mount, Gray	1
32	58-01385-00	Louver, Evaporator, 3 Inch (Requires Retaining Ring 58-01385-01)	2
	58-01385-01	Ring, Retaining, Louver (Used With Louver 58-01385-00)	2
33	58-62042-00	Louver, Rectangle (8.0 X 3.0 Inches)	3
34	AC022-289	Emblem, Carrier	1
35	38-00573-02	Filter, Air, EM-2, (GenV)	1
36	76-50129-00	Grill Kit, EM-2, Includes: (Replaces Grill 68-62868-00 & Channel 68-62869-00)	1
37	68-63275-02 Grill, Evaporator, EM-2, GEN V, (Painted)	1
38	68-63276-02 Doorl, Filter, EM-2, Gen V, (Painted)	1
39	68-63277-02 Baffle, Cover, EM-2, Gen V	1
40	AC701-403 Rivet, Pop, 1/8 Inch, Steel, (Fasten Door to Grill)	2
41	AC701-400 Rivet, Pop, 3/16 Inch, Steel, (Fasten Baffle & Grill to Cover))	7
N/S	98-50618-00 Instructions, Grill, Door & Baffle Installation	1
42	34-62019-00	Receptacle, 1/4 Turn	1
43	34-62020-00	Stud, 1/4 Turn, .25 Grip Range	1
44	34-06169-01	Washer, Retaining, .215 I. D.	1

1.2.4 EM-2, 3 SPEED CHASSIS KITS 77-62522-00 THRU -07 (COMMON PARTS)

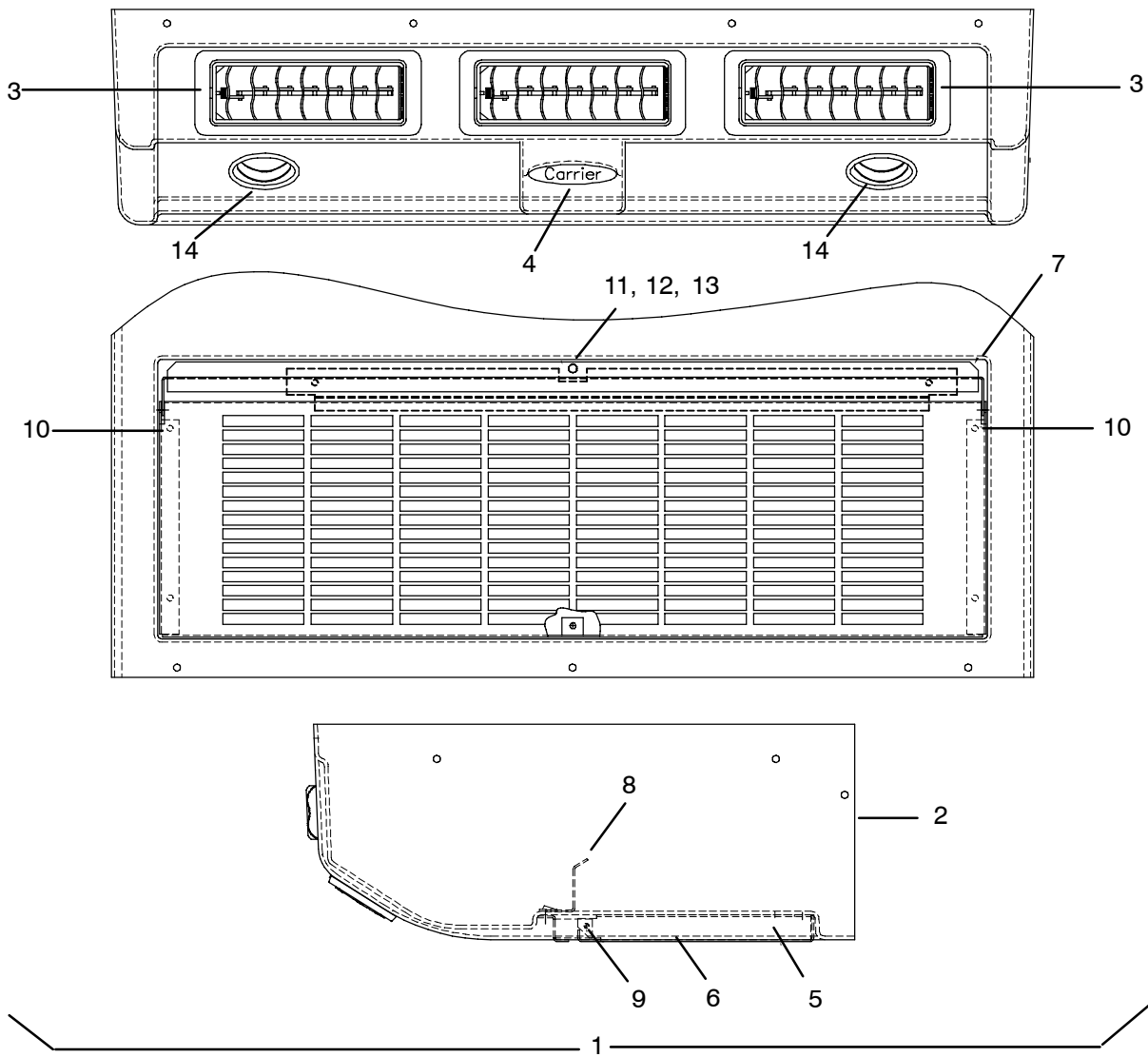


Reference Model Numbers: 77-62522-00, -05, -06, -07

1.2.4 EM-2, GEN-V, 3 SPEED CHASSIS KITS 77-62522-00 THRU -07 (COMMON PARTS) - Continued:			
Item	Part Number	Description	Qty
1	68-62852-00	Panel Assembly, Top	1
2	AC701-123	Clip, Retaining, High Torque	8
3	NSS	Blower Housing & Gasket Assembly, (79-62079-01) Includes:	1
3.1	NSSBlower Housing & Wheel Assembly, (38-00564-01) Includes:	1
3.2	38-00564-51Blower Wheel (Length: 21.90 Inches)	1
3.3	38-00564-61Blower Housing	1
3.4	42-62118-00Gasket, Mounting, Blower Housing, 1/8 Inch Thick Neoprene	2
3.5	42-62117-01Gasket, Blower Housing, 3/16 Inch Thick Neoprene	1
3.6	34-00482-05Set Screw, Cup Point, 1/4-28, SST	1
4	AC801-401	Gasket, Foam, 3/16 x 3/8 x 50 Feet Roll	1
5	68-62725-00	Bracket, Motor Mounting	1
6	54-00621-01	Motor, Evaporator, EM-2, 12 VDC, (GEN-V)	1
7	34-62018-00	Nut, Flanged, Serrated Lock, 1/4-20, Zinc Plated	16
8	68-62726-00	Strap, Motor Support	1
9	22-62168-00	Wire Harness, Evaporator, 3 Speed (Gen V)	1
10	22-62169-00	Resistor, Fan Speed, 220 Watt, .820 OHM	1
11	79-02358-01	Coil Assembly, Includes:	1
11.1	08-62031-01Coil Assembly, EM-2	1
11.2	AC201-412Switch, Pressure, Low	1
11.3	14-00301-03Valve, Thermal Expansion, R134a	1
11.4	AC801-202O-Ring, 1/2 Inch	2
12	12-00547-00	Thermostat, Freeze Up, Non-Adjustable	1
13	34-62050-04	Screw, Pan Head With External Tooth Washer, #10-32 x 0.50 Inch Long	5
14	34-62057-03	Screw, Pan Head, #10-32 x 0.75 Inch Long	1
15	34-00372-09	Washer, Lock, External Tooth, #10	1
16	66U1-3882	Wire Tie, Self-Locking, 7.00 Inches, Black	A/R
17	79-62086-01	Bracket Assembly, TXV	1
18	34-00655-12	Screw, Hex Head, 1/4-20 x 1.50 Inch Long, SST	1
19	AC701-101	Nut, Speed, 'J' Type, 1/4-20	1
20	AC022-743-3	Gasket, Coil, Neoprene, Adhesive Backed	1
21	58-62065-00	Bushing, Plastic, 1.00 Inch I.D.	1
22	79-62106-01	Drain Pan Assembly, EM-2 - Includes:	1
22.1	42-62140-01Baffle, Drain Pan, Foam	1
23	62-62039-00	Label, CHARGE ONLY WITH R134a	1
24	68-62870-00	Bracket, Mounting, Terminal Strip	1
25	22-62141-01	Terminal Block, 7 Position, Without Screws	1
26	34-06212-12	Washer, Plain, 1/4, SST	5
27	58-62064-00F25	Trim Seal, 1/8 Inch Grip, (25 Foot Roll)	1
28	34-62033-00	Screw, Binder Head, Phillips/Slotted, #10-32 x 0.38 Inch Long	14
29	42-62052-00	Gasket, Motor, (GenV)	1
30	62-62045-00	Label, WARNING FAN BLADES	2
31	34-00733-05	Nut, Hex, Keps, #8-32, Zinc	2
32	68-08087-00	Spacer, Motor Mounting (Located Under Mounting Bracket)	1
33	76-62257-00	Bearing Housing & Boot Repair Kit - Includes:	1
33.1	NSSHousing, Bearing, Blower Wheel	1
33.2	NSSBoot, Rubber, Blower Wheel	1
33.3	AC701-401	Pop Rivet, 3/16, Steel	2

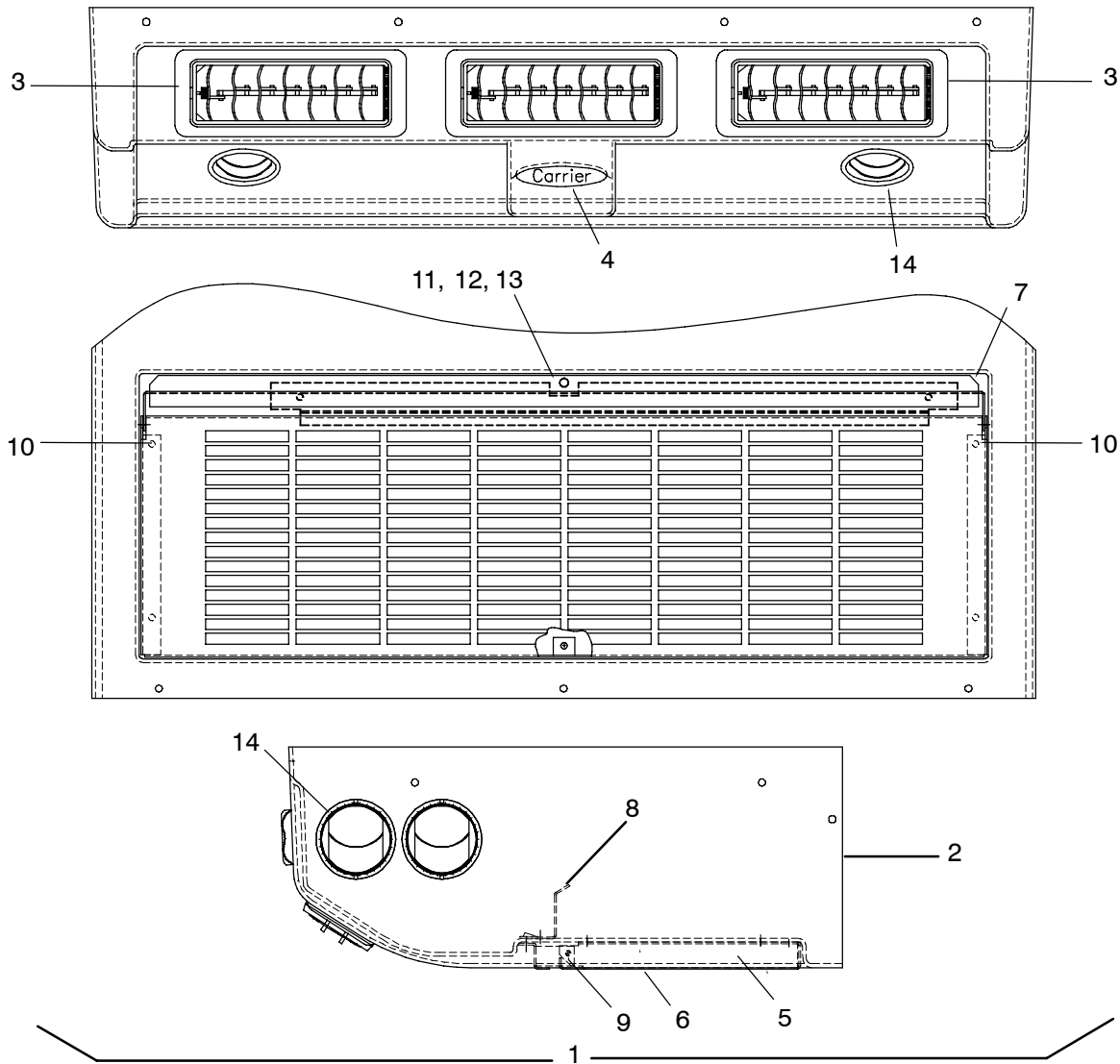
1.2.5 EM-2, GEN-V, 3 SPEED CHASSIS KIT 77-62522-05 (SPECIFIC PARTS LIST)			
Item	Part Number	Description	Qty
34	22-62261-00	Wire Harness Assembly, Evaporator, 3 Speed	1
1.2.6 EM-2, GEN-V, 3 SPEED CHASSIS KIT 77-62522-06 (SPECIFIC PARTS LIST)			
Item	Part Number	Description	Qty
35	22-62204-00	Wire Harness Assembly, Evaporator, 3 Speed, TBB C2	1
36	AC701-401	Rivet, Pop, 3/16 Steel	3
37	AC701-303	Tie, Cable Holder	3
38	58-00616-02	Plug, Hole, Nylon, 0.50 Diameter	1
39	AC801-412F25	Trim, Flexible, Black (25 Ft. Roll)	1
1.2.7 EM-2, GEN-V, 3 SPEED CHASSIS KIT 77-62522-07 (SPECIFIC PARTS LIST)			
Item	Part Number	Description	Qty
40	22-62247-00	Wire Harness Assembly, Evaporator, 3 Speed, TBB C2	1
36	AC701-401	Rivet, Pop, 3/16 Steel	3
37	AC701-303	Tie, Cable Holder	3
38	58-00616-02	Plug, Hole, Nylon, 0.50 Diameter	1
39	AC801-412F25	Trim, Flexible, Black (25 Ft. Roll)	1

1.2.8 COVER ASSEMBLY, EM-2, GEN-V, 3 SPEED, REAR MOUNT



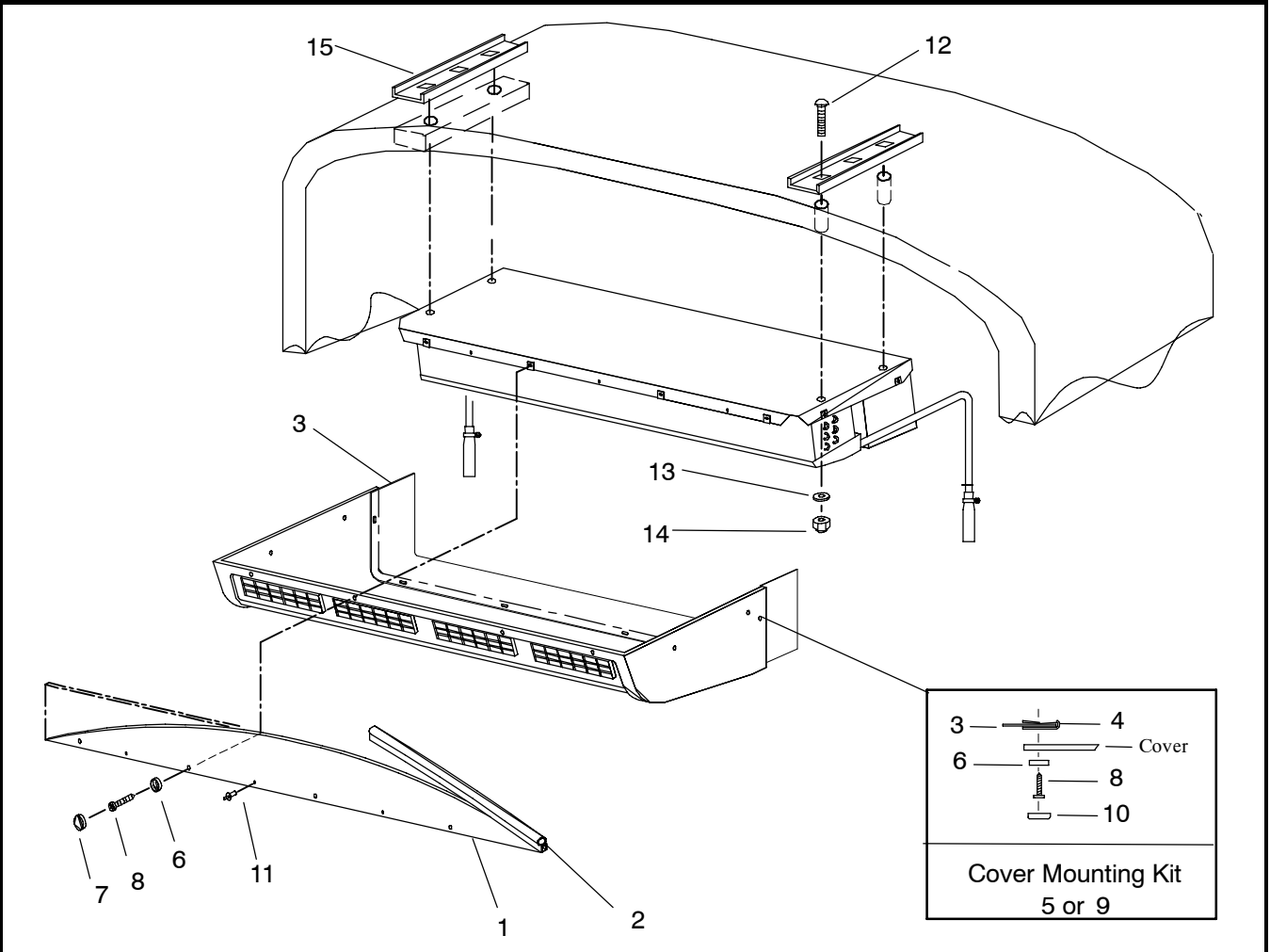
Item	Part Number	Description	Qty
1	79-62044-01	Cover Assembly, EM-2, Complete, Rear Mount, White - Includes:	1
	79-62044-02	Cover Assembly, EM-2, Complete, Rear Mount, Gray - Includes:	1
2	NSSCover Trimmed, EM-2 White	1
	NSSCover Trimmed, EM-2 Gray	1
3	58-62042-00Louver, Rectangle (8.0 X 3.0 Inches)	3
4	AC022-289Emblem, Carrier	1
5	38-00573-02Filter, Air, EM-2, GenV (27.92 X 9 Inches)	1
6	68-63275-02Grill, Evaporator, EM-2, GEN V, (Painted)	1
7	68-63276-02Door, Filter, EM-2, Gen V, (Painted)	1
8	68-63277-02Baffel, Cover, EM-2, Gen V	1
9	AC701-403Rivet, Pop, 1/8 inch, Steel (Fasten Door to Grill)	2
10	AC701-400Rivet, Pop, 3/16 inch, Steel (Faster Baffel & Grill to Cover)	7
11	34-62019-00Receptacle, 1/4 Turn	1
12	34-62020-00Stud, 1/4 Turn, .25 Grip Range	1
13	34-06169-01Washer, Retaining, .215 I. D.	1
14	58-62077-00Louver, Adjustable, 3.00 Inch (Round)	2

1.2.9 COVER ASSEMBLY, EM-2, GEN-V, 3 SPEED, SIDE MOUNT



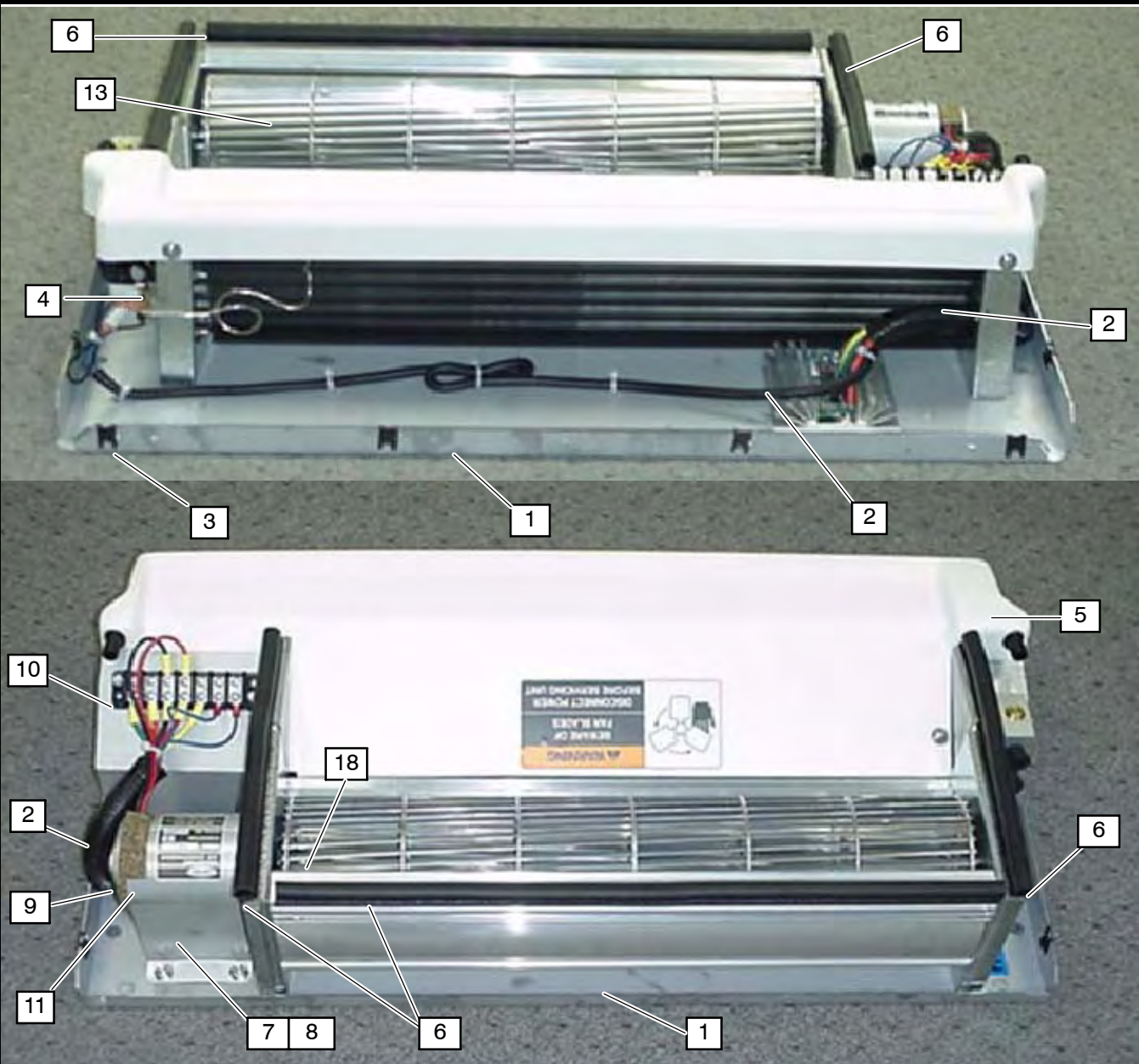
Item	Part Number	Description	Qty
1	79-62045-01	Cover Assembly, EM-2, Complete, Side Mount, White - Includes:	1
	79-62045-02	Cover Assembly, EM-2, Complete, Side Mount, Gray - Includes:	1
2	NSSCover Trimmed, EM-2 White	1
	NSSCover Trimmed, EM-2 Gray	1
3	58-62042-00Louver, Rectangle (8.0 X 3.0 Inches)	3
4	AC022-289Emblem, Carrier	1
5	38-00573-02Filter, Air, EM-2, GenV (27.92 X 9 Inches)	1
6	68-63275-02Grill, Evaporator, EM-2, GEN V, (Painted)	1
7	68-63276-02Door, Filter, EM-2, Gen V, (Painted)	1
8	68-63277-02Baffel, Cover, EM-2, Gen V	1
9	AC701-403Rivet, Pop, 1/8 inch, Steel (Fasten Door to Grill)	2
10	AC701-400Rivet, Pop, 3/16 inch, Steel (Faster Baffel & Grill to Cover)	7
11	34-62019-00Receptacle, 1/4 Turn	1
12	34-62020-00Stud, 1/4 Turn, .25 Grip Range	1
13	34-06169-01Washer, Retaining, .215 I. D.	1
14	58-62077-00Louver, Adjustable, 3.00 Inch (Round)	6

1.2.10 INSTALLATION COMPONENTS, EM-2, GEN V, REAR MOUNT



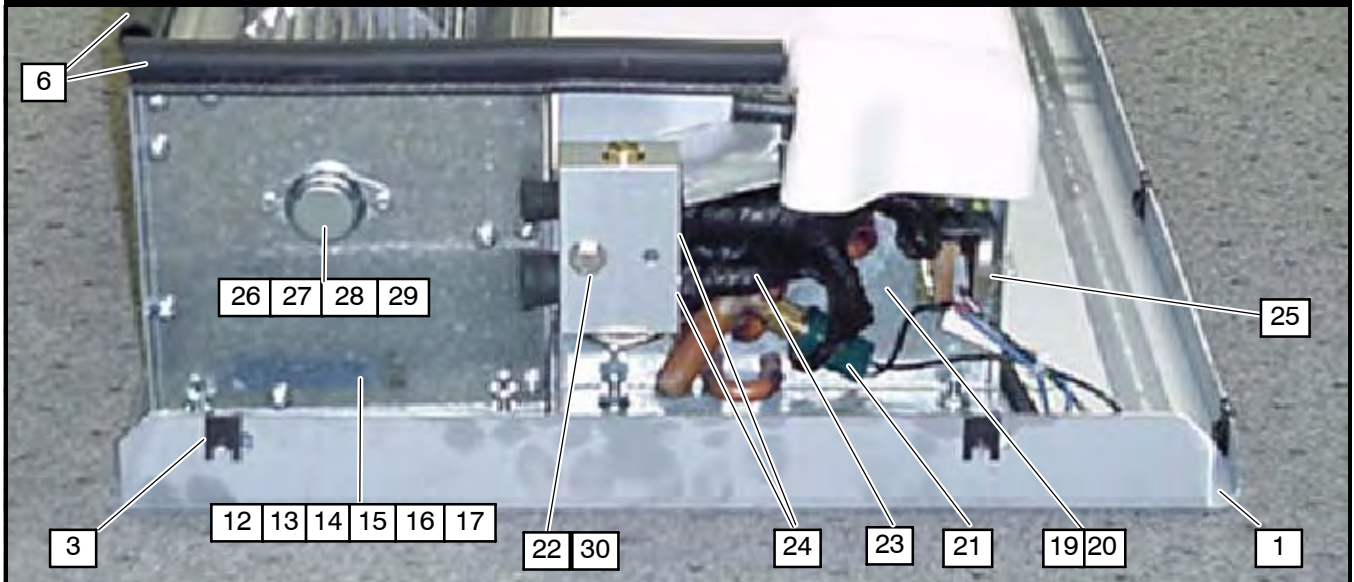
Item	Part Number	Description	Qty
1	68-62880-00	Strip, Trim, Gray One Side & White Other Side, EM-1	1
2	AC801-412F25	Gasket, Trimlock, Black (25 Ft. Roll)	1
3	68-62912-00	Panel, Gray, Rear (Requires Additional Item #5)	1
	68-62912-01	Panel, White, Rear (Requires Additional Item #9)	1
4	AC701-123	Tinnerman Clip, Hi Torque, #10 AB	5
5	76-62103-00	Hardware Kit, Cover Mounting To Unit, Gray, Includes:	1
6	AC801-529 Washer, Snap Cap	8
7	AC801-532 Snap Cap, Gray	8
8	34-62046-00 Screw, Pan Head, Phillips, #10 X 5/8 Inch, AB, Black	8
9	76-62103-04	Hardware Kit, Cover Mounting To Unit, White, Includes:	1
6	AC801-529 Washer, Snap Cap	8
10	AC801-531 Snap Cap, White	8
8	34-62046-00 Screw, Pan Head, Phillips, #10 X 5/8 Inch, AB, Black	8
N/S	76-62103-01	Hardware Kit, Unit Mounting To Channels, Includes:	1
11	AC701-403 Rivet, Pop, 1/8-Steel	3
12	34-01310-01 Bolt, Carriage, 3/8-16 X 4 Inches, Full Thread, GD-8, Zinc Plated	4
13	34-00588-13 Washer, Flat, 3/8 Inch, Zinc Plated	4
14	34-00361-13 Nut, Hex, Lock, 3/8-16, Zinc Plated	4
15	AC020-009	Channel, Mounting, 3/16 X 30 Inches Long	2
	AC021-360	Channel, Mounting, 3/16 X 15.75 Inch, (Model 77-62212-80 & -82 Only)	2

1.2.11 EVAPORATOR, EM-2, GEN V, SIDE MOUNT



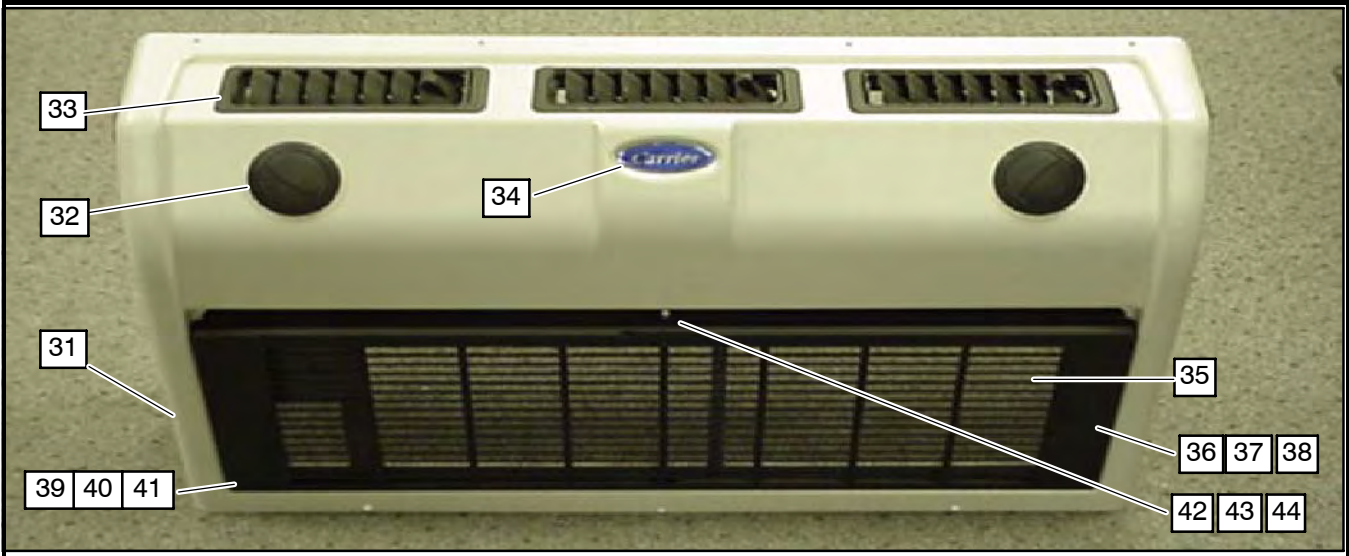
Item	Part Number	Description	Qty
1	68-62852-00	Top Panel, EM-2	1
2	22-62099-00	Assembly, Harness, Evap., With Speed Control, (12-00533-00, NSS)	1
	22-62168-00	Assembly, Harness, Evap., 3 Speed	1
3	AC701-123	Tinnerman Clip, High Torque, #10AB	8
4	12-00547-00	Thermostat, Freeze-Up, Non-Adjustable	1
5	79-62106-01	Drain Pan Assembly, EM-2 - Includes:	1
5.1	42-62140-01Baffle, Drain Pan, Foam	1
6	58-62064-00F25	Trim Seal, 1/8 Inch Grip, (25 Foot Roll)	1
7	68-62725-00	Bracket, Motor Mount	1
8	68-08087-00	Spacer, Motor Alignment	1
9	54-00621-01	Motor, Evaporator, EM-2, 12 VDC, (GEN V)	1
	54-00621-04	Motor, Evaporator, EM-2, 24 VDC, (GEN V)	1
10	22-62141-00	Terminal Block, 7 Position, (30 Amp)	1
11	42-62052-00	Gasket, Motor, (GEN V)	1

1.2.11 EVAPORATOR, EM-2, GEN V, SIDE MOUN - Continued:



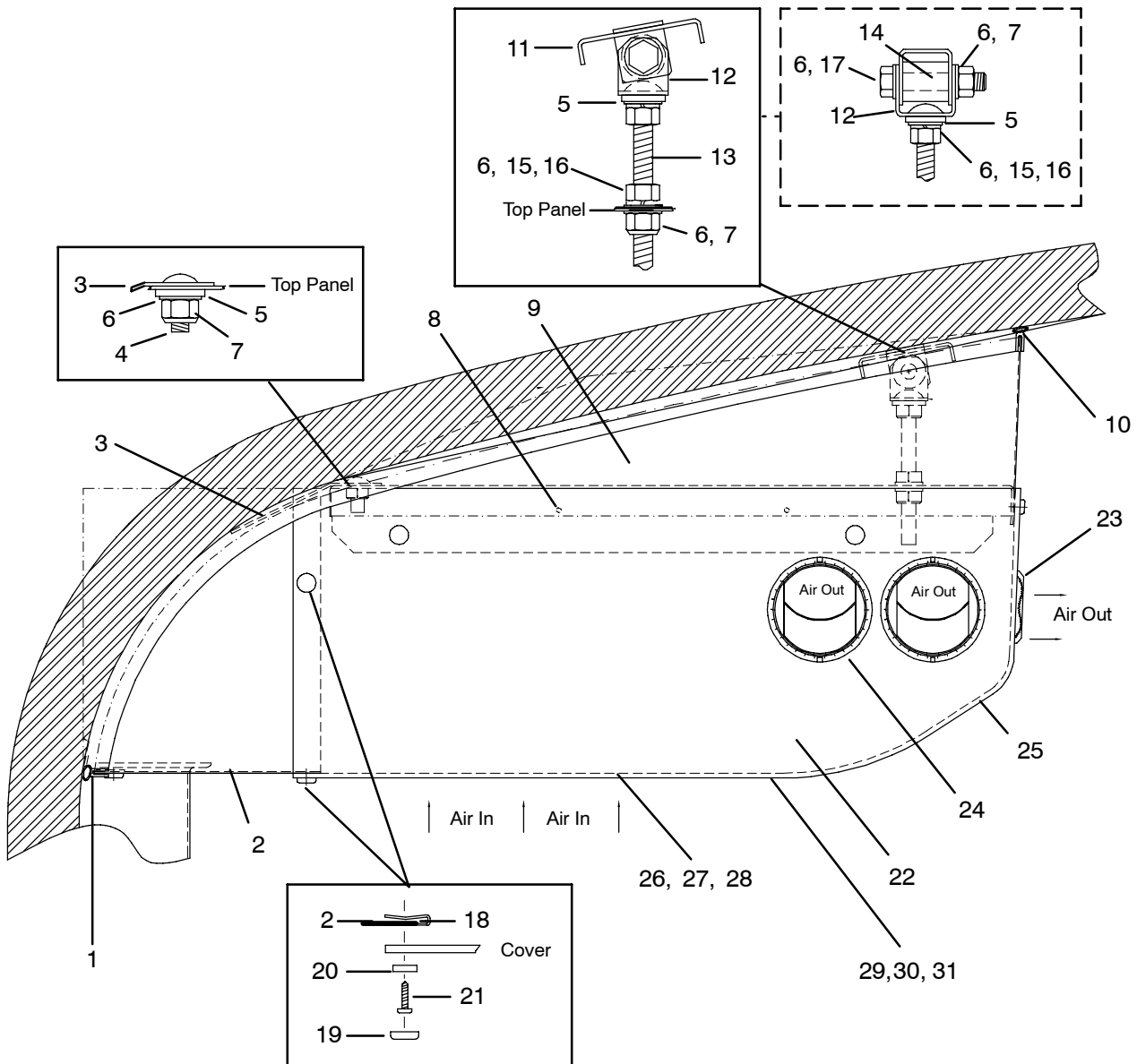
Item	Part Number	Description	Qty
1	68-62852-00	Top Panel, EM-2	1
12	NSS	Blower Housing & Gasket Assembly, (79-62079-01) Includes:	1
13	NSSBlower Wheel & Wheel Assembly (38-00564-01) Includes:	1
14	38-00564-51Blower Wheel (Length: 21.90 Inches - 556.3 mm)	1
15	38-00564-61Blower Housing	1
16	42-62118-00Gasket, Mounting, Blower Housing, 1/8 Inch Thick Neoprene	2
17	42-62117-01Gasket, Blower Housing, 3/16 Inch Thick Neoprene	1
18	34-00482-05Set Screw, Cup Point, 1/4-28, SS	1
3	AC701-123	Tinnerman Clip, High Torque, #10AB	8
19	79-02358-01	Coil Assembly. Evaporator, EM-2 Includes:	1
20	08-62031-01Coil Assembly. EM-2	1
21	AC201-412Switch, Low Pressure	1
22	14-00301-03Block Valve, (Thermal Expansion)	1
23	42-00032-00Tape, Insulation, Presstite, 2.00 Inch X 30 Feet Long	1
24	AC801-202O-Ring, 1/2 Inch HNBR	2
25	12-00547-00	Thermostat, Freeze-Up, Non Adjustable	1
6	58-62064-00F25	Trim Seal, 1/8 Inch Grip, (25 Foot Roll)	1
26	76-62257-00	Bearing Housing & Boot Repair Kit - Includes:	1
27	NSSHousing, Bearing, Blower Wheel	1
28	NSSBoot, Rubber, Blower Wheel	1
29	AC701-401	Pop Rivet, 3/16, Steel	2
30	79-62086-01	Bracket Assembly, TXV	1

1.2.11 EVAPORATOR, EM-2, GEN V, SIDE MOUNT - Continued:



1.2.11 EVAPORATOR, EM-2, GEN V, SIDE MOUNT - Continued:			
Item	Part Number	Description	Qty
31	79-62045-01	Cover Assembly, Complete, Side Mount, White	1
	79-62045-02	Cover Assembly, Complete, Side Mount, Gray	1
32	58-01385-00	Louver, Evaporator, 3 Inch (Requires Retaining Ring 58-01385-01)	6
	58-01385-01	Ring, Retaining, Louver (Used With Louver 58-01385-00)	6
33	58-62042-00	Louver, Rectangle (8.0 X 3.0 Inches)	3
34	AC022-289	Emblem, Carrier	1
35	38-00573-02	Filter, Air, EM-2, (GenV), 27.92 X9 Inches	1
36	76-50129-00	Grill Kit, EM-2, Includes: (Replaces Grill 68-62868-00 & Channel 68-62869-00)	1
37	68-63275-02 Grill, Evaporator, EM-2, GEN V, (Painted)	1
38	68-63276-02 Doorl, Filter, EM-2, Gen V, (Painted)	1
39	68-63277-02 Baffle, Cover, EM-2, Gen V	1
40	AC701-403 Rivet, Pop, 1/8 Inch, Steel, (Fasten Door to Grill)	2
41	AC701-400 Rivet, Pop, 3/16 Inch, Steel, (Fasten Baffle & Grill to Cover)	7
N/S	98-50618-00 Instructions, Grill, Door & Baffle Installation	1
42	34-62019-00	Receptacle, 1/4 Turn	1
43	34-62020-00	Stud, 1/4 Turn, .25 Grip Range	1
44	34-06169-01	Washer, Retaining, .215 I. D.	1

1.2.12 INSTALLATION COMPONENTS, EM-2, GEN-V, SIDE MOUNT

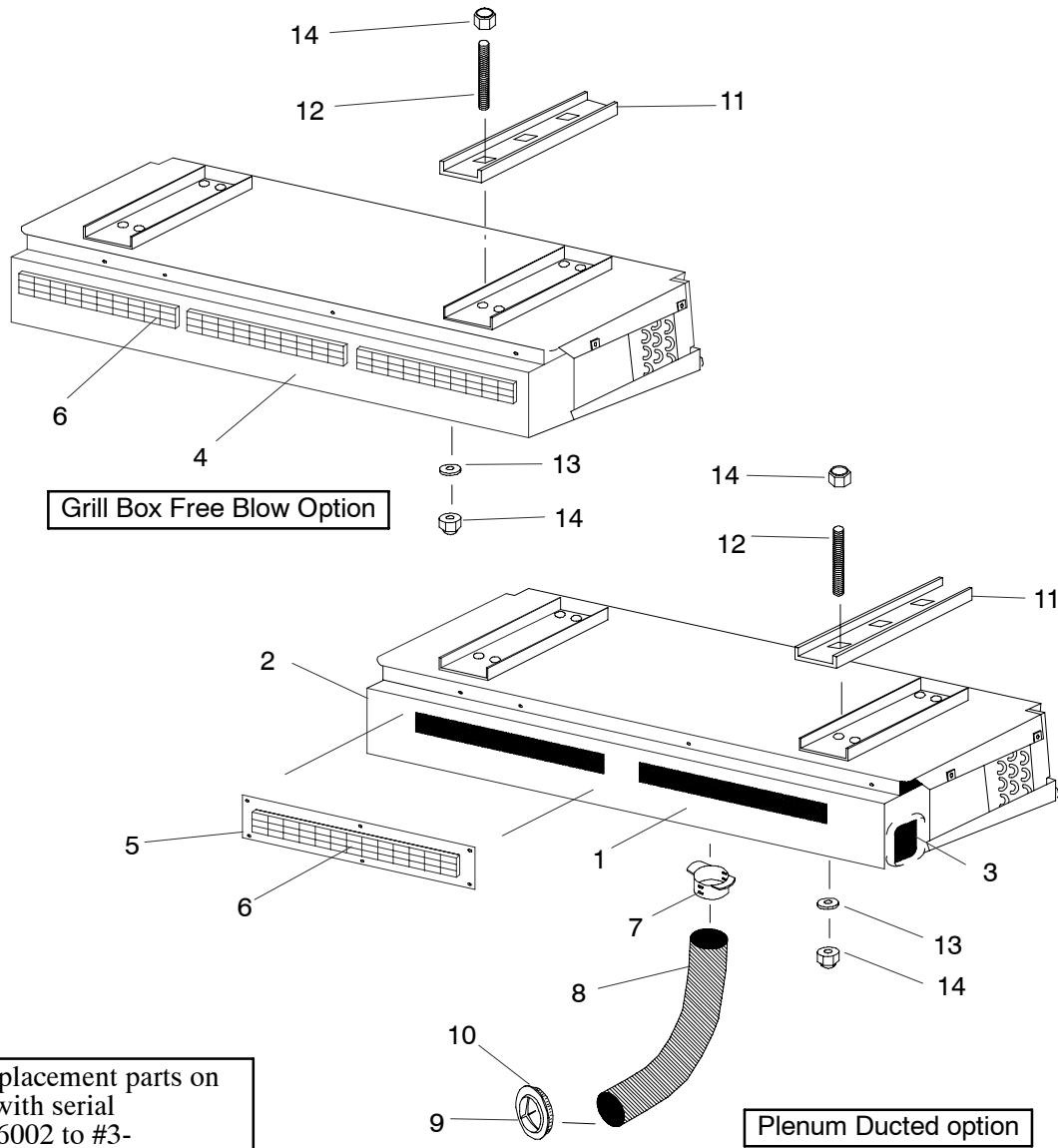


Item	Part Number	Description	Qty
1	AC020-179P	Support Angle	1
2	68-62912-00	Trim Strip, Rear, Gray	1
	68-62912-01	Trim Strip, Rear, White	1
3	68-62909-00	Rear Hanger, Side Mount	1
4	34-01310-00	Bolt, Carriage, Round Head, 3/8-16 X 1-1/4 Inch, Zinc plated	2
5	AC601-602	Spacer, Steel, 7/8 OD X 1/2 ID X 1/8 InchLong	2
6	34-00588-13	Washer, Flat, 3/8 Inch, Zinc Plated	8
7	34-00361-13	Nut, Hex, Lock, 3/8-16, Zinc Plated	6
8	AC701-403	Rivet, Pop, 1/8 Inch, Steel	4
9	68-62915-00	Trim Strip, Side, Gray	1
	68-62915-01	Trim Strip, Side, White	1
10	AC801-12F25	Gasket, Trimlock, Black (25 Ft. Roll)	1
11	86-62248-00	Bracket, Weld Assembly, Front Hanger	1

1.2.12 INSTALLATION COMPONENTS, EM-2, GEN-V, SIDE MOUNT - Continued:			
Item	Part Number	Description	Qty
12	AC021-223	Bracket, Hanger, Front	2
13	34-01310-02	Bolt, Carriage, Round Head, 3/8-16 X 6 Inch, Zinc Plated, Full Thread	2
14	AC601-616	Spacer, Steel, 7/8 OD X 1/2 ID X 1 Inch Long	2
15	34-00368-13	Washer, Split Lock, 3/8 Inch, Zinc Plated	6
16	34-00363-13	Nut, Hex, 3/8-16, Zinc Plated	4
17	17-40034-05	Bolt, Hex Head, 3/8-16 X 2 Inch, Zinc Plated, Grade 8	2
18	AC701-123	Tinnerman Clip, Hi Torque, #10 AB	8
19	AC801-531	Cap, Snap, White	8
	AC801-532	Cap, Snap, Gray	8
20	AC801-529	Washer, Snap Cap	8
21	34-62046-00	Screw, Pan Head Phillips, #10 X 5/8 Inch, AB, Black	8
22	79-62045-01	Cover Assembly, White, EM-2	1
	79-62045-02	Cover Assembly, Gray, EM-2	1
23	58-62042-00	Louver, Rectangle (8.0 X 3.0 Inches)	3
24	58-01385-00	Louver, Evaporator, 3 Inch (Requires Retaining Ring 58-01385-01)	6
	58-01385-01	Ring, Retaining, Louver (Used With Louver 58-01385-00)	6
25	AC022-289	Emblem, Carrier	1
26	38-00573-02	Filter, Air, 36.5 X 9.0 Inches, EM-2, (GenV)	1
27	68-62868-00	Grill, Evaporator, EM-2, GEN V, (Painted)	1
28	68-62869-00	Channel, Filter, EM-2, GEN V, (Painted)	1
29	34-06169-01	Washer, Retaining	1
30	34-62020-00	Stud, 1/4 Turn, .25 Grip Range	1
31	34-62019-00	Receptacle, 1/4 turn	1

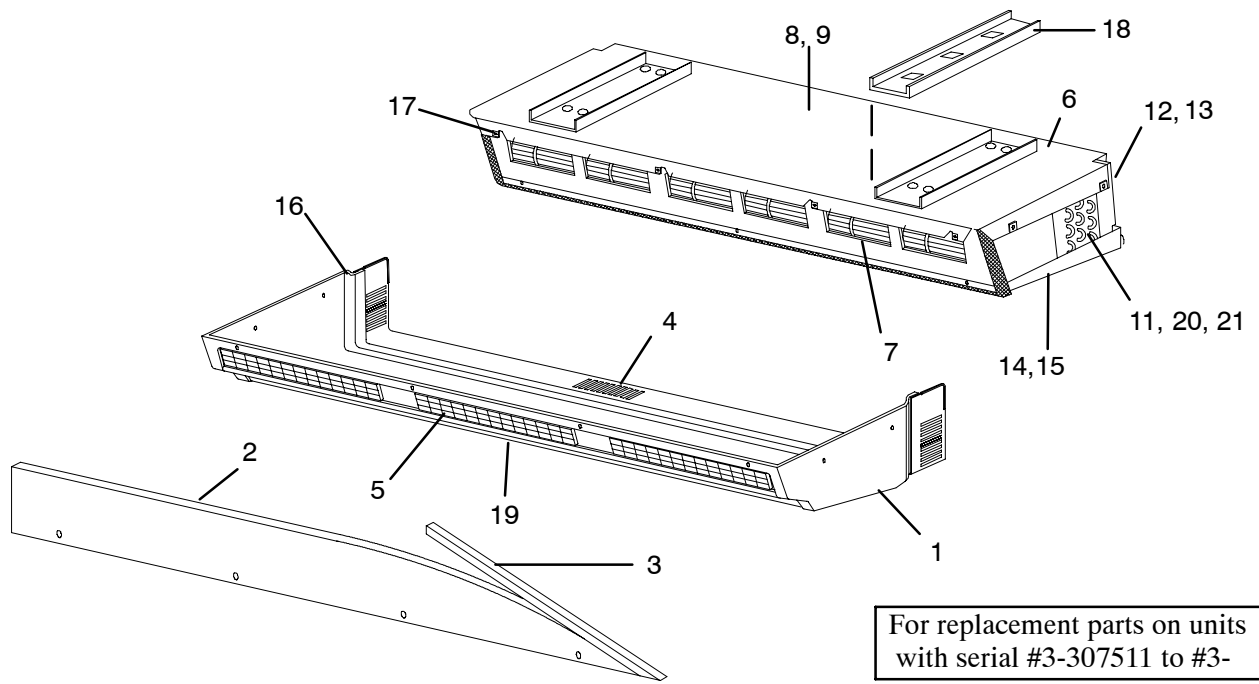
SECTION 1.3 EM-3 EVAPORATORS

1.3.1 EVAPORATOR, EM-3, GEN 4, DUCTED, WITH PLENUM OR GRILL BOX



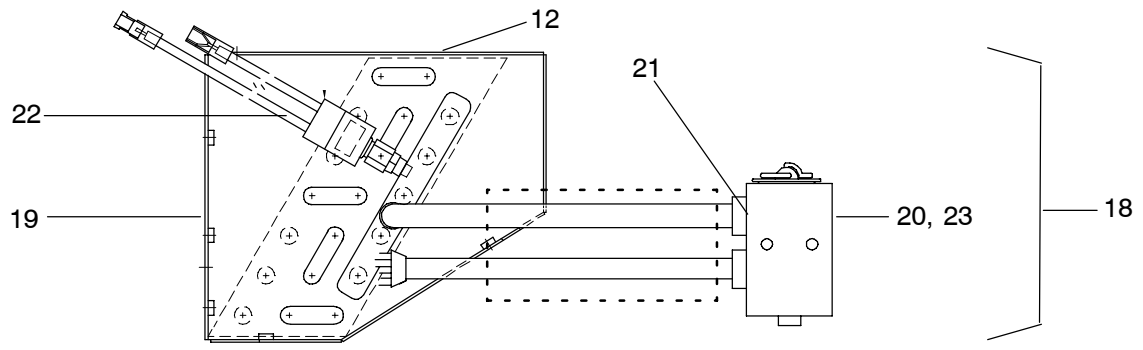
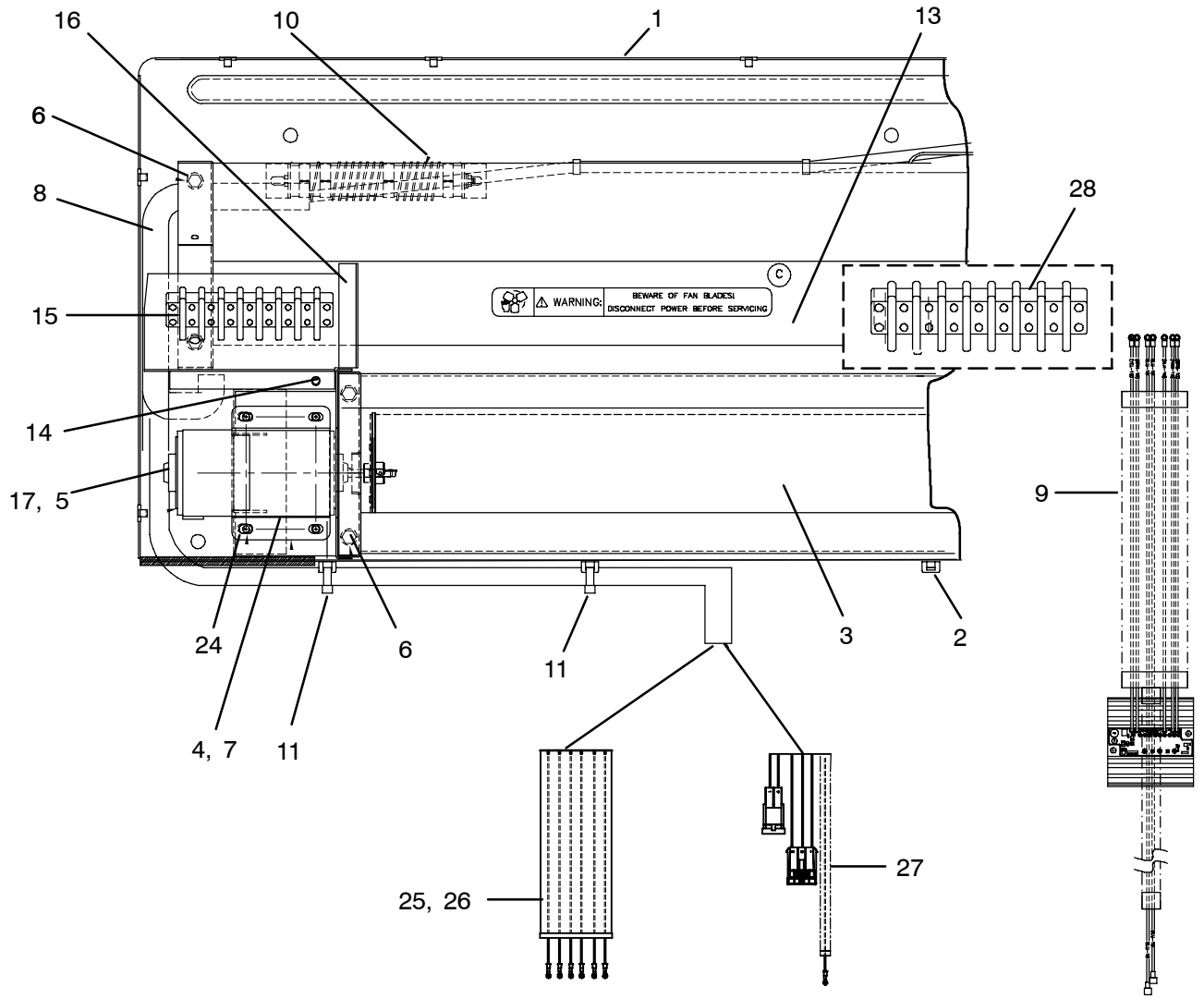
Item	Part Number	Description	Qty
1	AC022-304	Plenum, Front	1
2	AC022-332	Weldment, Plenum, Left Side	1
3	AC022-333	Weldment, Plenum, Right Side	1
4	AC022-342P	Grill Box, Front, (Painted)	1
5	AC022-464P	Plate, Louver, (Painted)	1
6	AC401-320	Louver, (14-3/8 X 3-3/8 Inches)	A/R
7	AC401-307	Adapter, Hose, (2-1/2 Inch)	2
8	AC301-205	Hose, Duct, 2-1/2 Inch Diameter X Foot	3
9	58-01386-00	Ball, Louver, 2-1/2 Inch Diameter With Hose Back	2
10	AC401-306	Ring, Mounting, For Louver Ball	2
11	AC020-028	Channel, Mounting	2
12	34-00971-02	Threaded Rod, 3/8-16 X 3 Ft.	2
13	34-00588-13	Washer, Flat, 3/8 Inch, Zinc Plated	12
14	34-00361-13	Nut, Hex, Lock, (Esna), 3/8-16, Zinc Plated	12

1.3.2 EVAPORATOR, EM-3, GEN 4, FREE BLOW



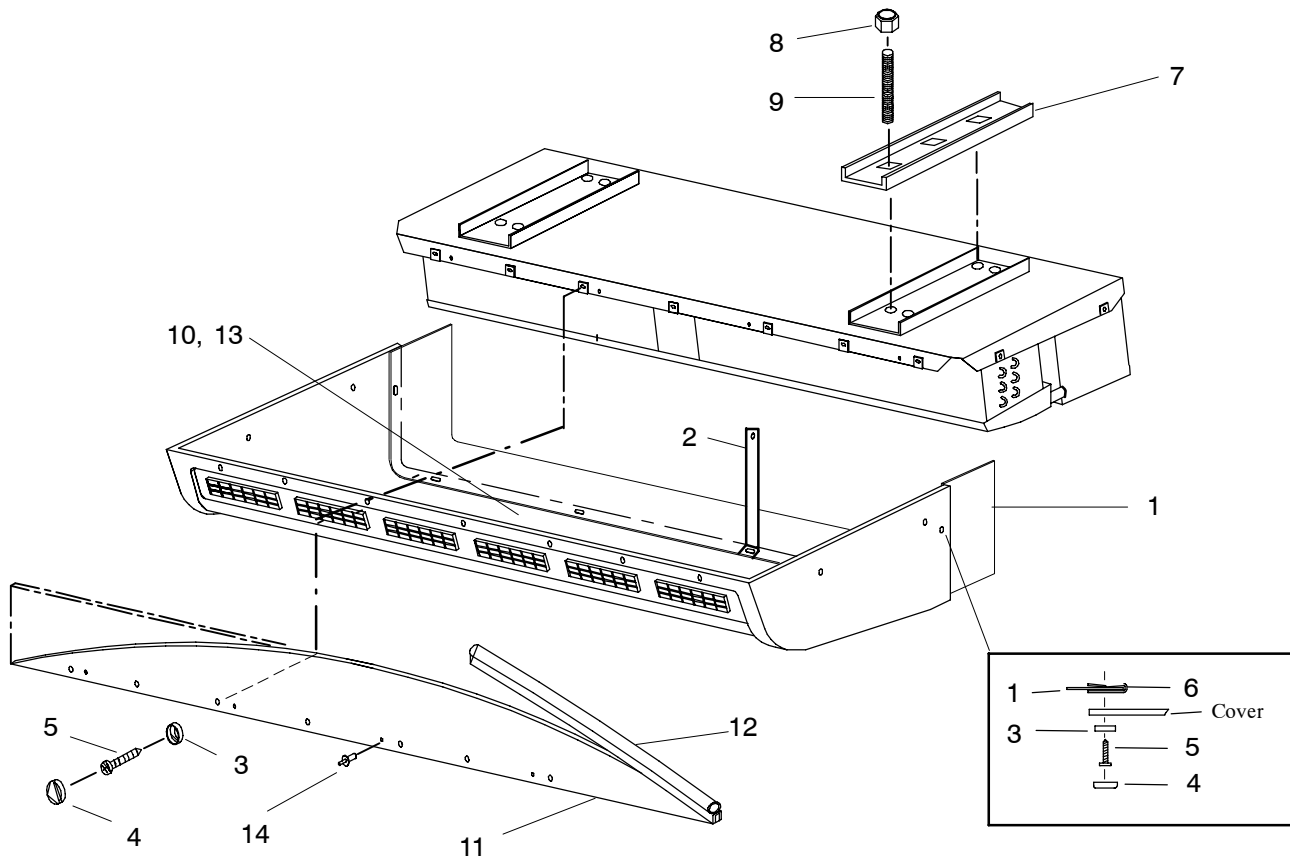
Item	Part Number	Description	Qty
1	79-62073-00	Assembly, Cover, White	1
	79-62073-01	Assembly, Cover, Gray	1
2	68-62577-01	Trim Strip, White/Gray	1
	68-62577-00	Trim Strip, Beige	1
3	AC801-412F25	Flexible Trim, Black (25 Ft. Roll)	1
4	AC022-252	Grill, Air Inlet, Painted, Black	1
5	AC401-320	Assembly, Louver, Air Outlet, (14-3/8 X 7-1/4 Inch)	2
6	38-00573-07	Filter, Return Air, (26.25 X 8 X 1/4 Inch)	2
7	AC401-232	Assembly, Blower, Dual, 12 VDC	3
	AC401-233	Assembly, Blower, Dual, 24 VDC	3
8	22-62011-00	Resistor, 1.8 Ohm, 4 Prong	3
9	22-62132-00	Harness, Unit, EM-3, GSA, 12 VDC	1
	22-62227-00	Harness, Unit, EM-3, With Low Pressure Switch, 12 VDC	1
	AC022-757	Harness, Unit, EM-3, 24 VDC	1
10	AC022-759	Assembly, Coil, R134a	1
	08-62067-00	Assembly, Coil, R134a, With Heat, With Low Pressure Switch Connection	1
	08-62068-00	Assembly, Coil, R134a, With Low Pressure Switch Connection	1
11	14-00301-03	Valve, Thermal Expansion, R134a	2
12	AC801-202	O-Ring, 1/2 Inch	4
13	AC201-501	Thermostat, Freeze-Up, Coil Insert	1
14	AC022-760-S	Assembly, Drain Pan, (Foamed)	1
15	AC022-314	Baffle, Foam, EM_3 Drain Pan	1
16	AC801-414	Gasket, Foam, 3/8 X 1 Inch X 25 Foot Roll	1
17	AC701-123	Clip, Tinnerman, High-Torque, (#10AB)	14
18	AC020-028	Channel, Mounting	2
19	AC022-289	Emblem, Carrier	1
20	AC201-412	Switch, Low Pressure	1
21	68-63614-00	Bracket, TXV Support	1

1.3.3 EM-3, 3 SPEED CHASSIS KITS 77-62532-00 THRU -07 (COMMON PARTS)



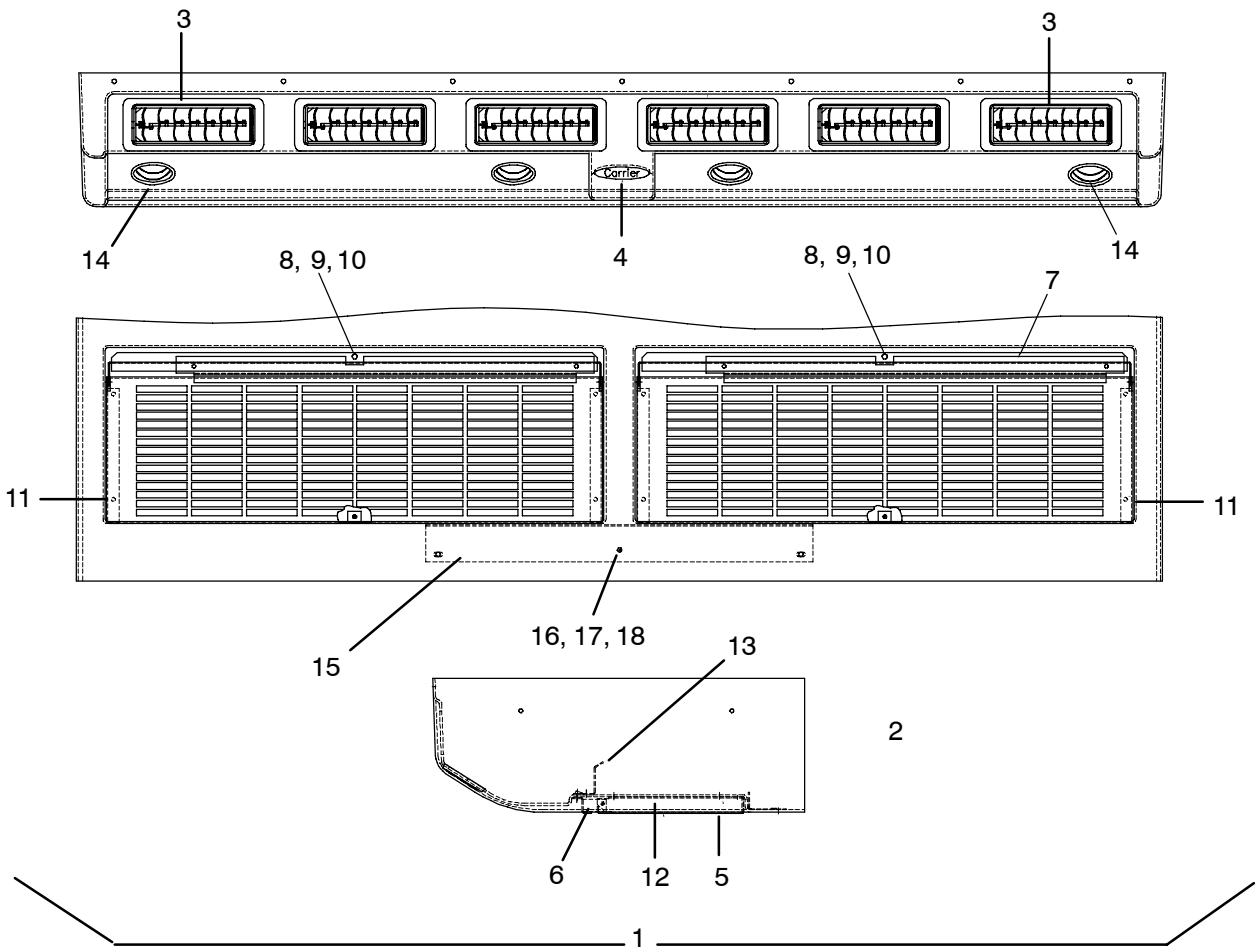
1.3.3 EM-3, 3 SPEED CHASSIS KITS 77-62532-00 THRU -07 COMMON PARTS - Continued:			
Item	Part Number	Description	Qty
1	86-62269-00	Panel Assembly, Top, EM-3	1
2	AC701-123	Clip, Retaining, Hi Torque	15
3	NSS	Blower Housing And Gasket Assembly (79-62079-03) - Includes:	2
3.1	NSS	...Blower Housing & Wheel Assembly (38-00564-03)	1
3.2	38-00564-53BlowerWheel (Length - 21.90 Inches - 556.3 mm)	1
3.3	38-00564-63Blower Housing	1
3.4	42-62118-00Gasket, Mounting, Blower Housing, 1/8 Inch Neoprene	2
3.5	42-62117-01Gasket, Blower Housing, 3/16 Inch Neoprene	1
3.6	34-00482-05Set Screw, Cup Point, 1/4-28, SS	1
4	68-62725-00	Bracket, Motor Mounting	2
5	54-00621-01	Motor, Evaporator, 12 VDC	2
	54-00621-04	Motor, Evaporator, 24VDC	2
6	34-62018-00	Nut, Flanged, Serrated Lock, 1/4-20, Zinc Plated	32
7	68-62726-00	Strap, Motor Support	2
8	22-62168-00	Wire Harness, Evaporator, 3 Speed	2
9	22-62099-00	Wire Harness, Evaporator, EM-3, With Speed Control (12-00533-00, NSS)	1
10	22-62169-00	Resistor, 220 W, .820 Ohm	2
N/S	12-00547-00	Thermostat, Freeze-Up, Non-Adjustable	2
11	66U1-3882	Wire Tie, Self Locking, 7.0 Inches, Black	12
12	AC022-743-2	Gasket, Coil, Neoprene, Adhesive Backed	2
N/S	58-62065-00	Bushing, Plastic 1.00 Inch I.D.	2
13	79-62107-00	Drain Pan Assembly, EM-3, Gen-V - Includes:	1
13.1	42-62140-01Baffle, Drain Pan, Foam	1
14	68-62979-00	Bracket Assembly, Mounting, Terminal Strip	1
15	22-62141-01	Terminal Block, 7 Position, Without Screws	1
16	58-62064-00F25	Trim Seal, 1/8 Inch Grip (25 Feet Roll)	1
17	42-62052-00	Gasket, Motor, (Gen-V)	2
18	79-62084-00	Coil Assembly, Evaporator, EM-3 Gen 5, Includes:	1
19	08-62037-00Coil Assembly	1
20	14-00301-03Valve, Thermal Expansion, Block, R134a	1
21	AC801-202O-Ring, 1/2 Inch	2
22	AC201-412Switch, Pressure, Low	1
23	42-00032-00Tape, Insulation, Presstite, 2 Inch X 30 Feet Long	1
24	68-08087-00	Spacer, Motor Mount	2
25	22-62164-00	Wire Harness, Evaporator, EM-3, Gen V, 3 Speed (56 Inches)	1
26	22-62261-00	Wire Harness, Evaporator, EM-3, Gen V, 3 Speed (47 Inches)	1
27	22-62204-00	Wire Harness, Evaporator, EM-3, Gen V, 3 Speed (TBBC2 Chassis)	1
N/S	76-62257-00	Blower Housing & Boot Repair Kit - Includes:	1
	NSSHousing, Bearing, Blower Wheel	1
	NSSBoot, Rubber, Blower Wheel	1
	AC701-401	Pop Rivet, 3/16, Steel	2
28	22-62100-01	Terminal Block, 7 Position, Without Screws	1

1.3.4 EVAPORATOR, EM-3, GEN-5, INSTALLATION COMPONENTS



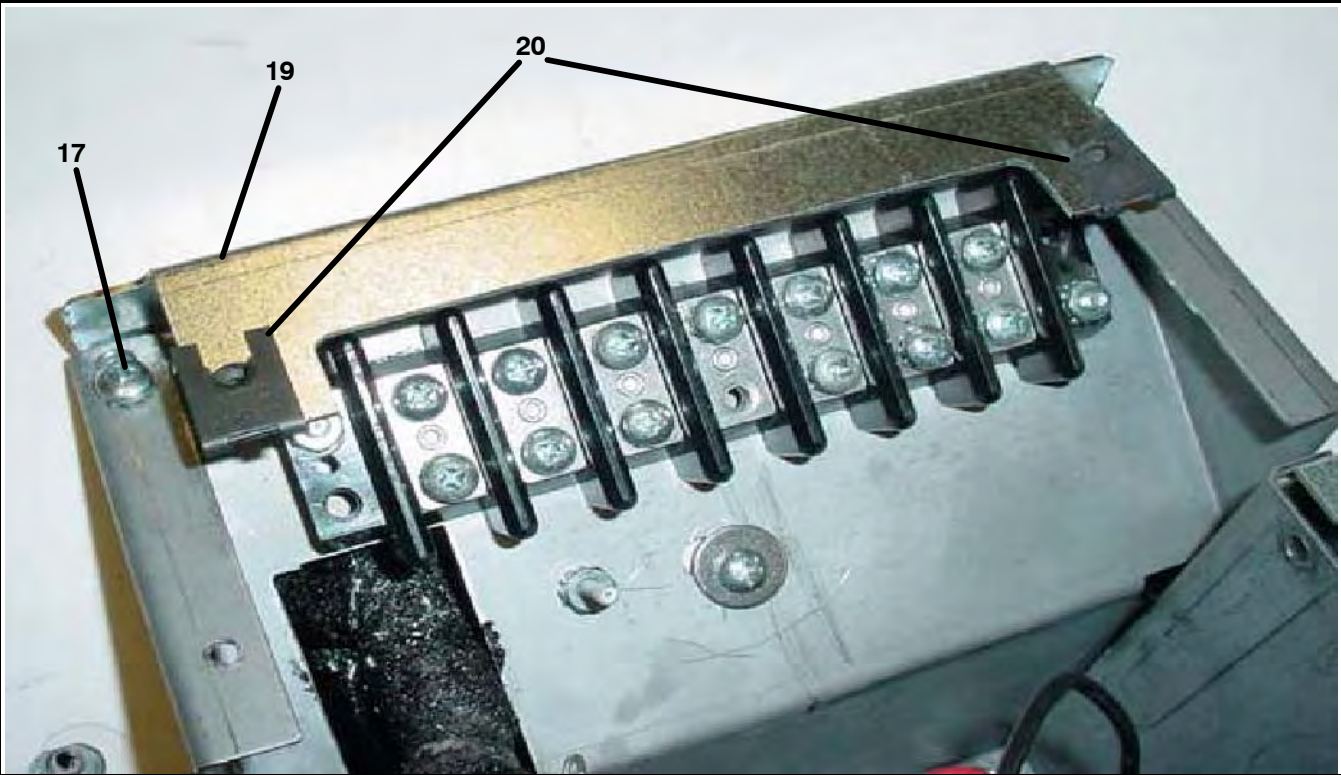
Item	Part Number	Description	Qty
1	68-63000-00	Rear Panel, Gray	1
	68-63000-01	Rear Panel, White	1
2	68-62982-00	Angle, Support, Cover	2
3	AC801-529	Washer, Snap Cap	13
4	AC801-532	Snap Cap, Gray	13
	AC801-531	Snap Cap, White	13
5	34-62046-00	Screw, Pan Head, Phillips, #10 X 5/8 Inch, AB, Black	13
6	AC701-123	Clip, Tinnerman, High-Torque, (#10AB)	13
7	AC020-028	Channel, Mounting	2
8	34-00361-13	Nut, Hex, Lock, 3/8-16, Zinc Plated	12
9	34-50045-00	Rod, Threaded, 3/8-16 X 3 Feet, Zinc Plated	2
10	68-63708-00	Bracket, Front Cover Support	1
11	68-62999-00	Trim Strip, White/Gray	1
12	AC801-412F25	Flexible Trim, Black (25 Ft Roll)	1
13	AC801-401	Gasket, Foam, 3/16x 3/8 x 50 Feet Roll	1
14	AC701-403	Rivet, Pop. 1/8 Inch, Steel	A/R

1.3.5 EM-3, GEN-5, COVER ASSEMBLY



Item	Part Number	Description	Qty
1	79-62065-01SV	Cover Assembly, EM-3, White - Includes:	1
	79-62065-02SV	Cover Assembly, EM-3, Gray - Includes:	1
2	NSSCover, Trimmed, EM-3, White	1
	NSSCover, Trimmed, EM-3, Gray	1
3	58-62042-00Louver, Rectangular, (8.00 x 3.00 Inches)	6
4	AC022-289Label, Carrier Emblem,	1
5	68-63275-03Grill, Evaporator, EM-3, Gen-V, (Painted)	2
6	AC701-403Rivet, Pop, 1/8 Inch, Steel	4
7	68-63276-03Door, Filter, EM-3, Gen-V, (Painted)	2
8	34-06169-01Washer, Retaining, 0.215 I.D.	2
9	34-62020-00Stud, 1/4 Turn, .25 Grip Range	2
10	34-62019-00Receptacle, 1/4 Turn	2
11	AC701-400Rivet, Pop, 3/16 Inch, Steel	14
12	38-00573-04Filter, Air, (26.81 inch X 9.00 inch)	2
13	68-63277-02Baffle, Cover, EM-3, Gen-V	2
14	58-62077-00Louver, Adjustable, 3.00 Inches, (Round)	4
15	68-63717-00Bracket, Cover Support, Rear	1
16	AC801-529Washer, Snap Cap	1
17	34-62050-04Screw, Pan Head W/External Tooth Washer, #10-32 x 0.50 Inch Long	3
18	AC801-531Snap Cap, White	1
	AC801-532Snap Cap, Gray	1

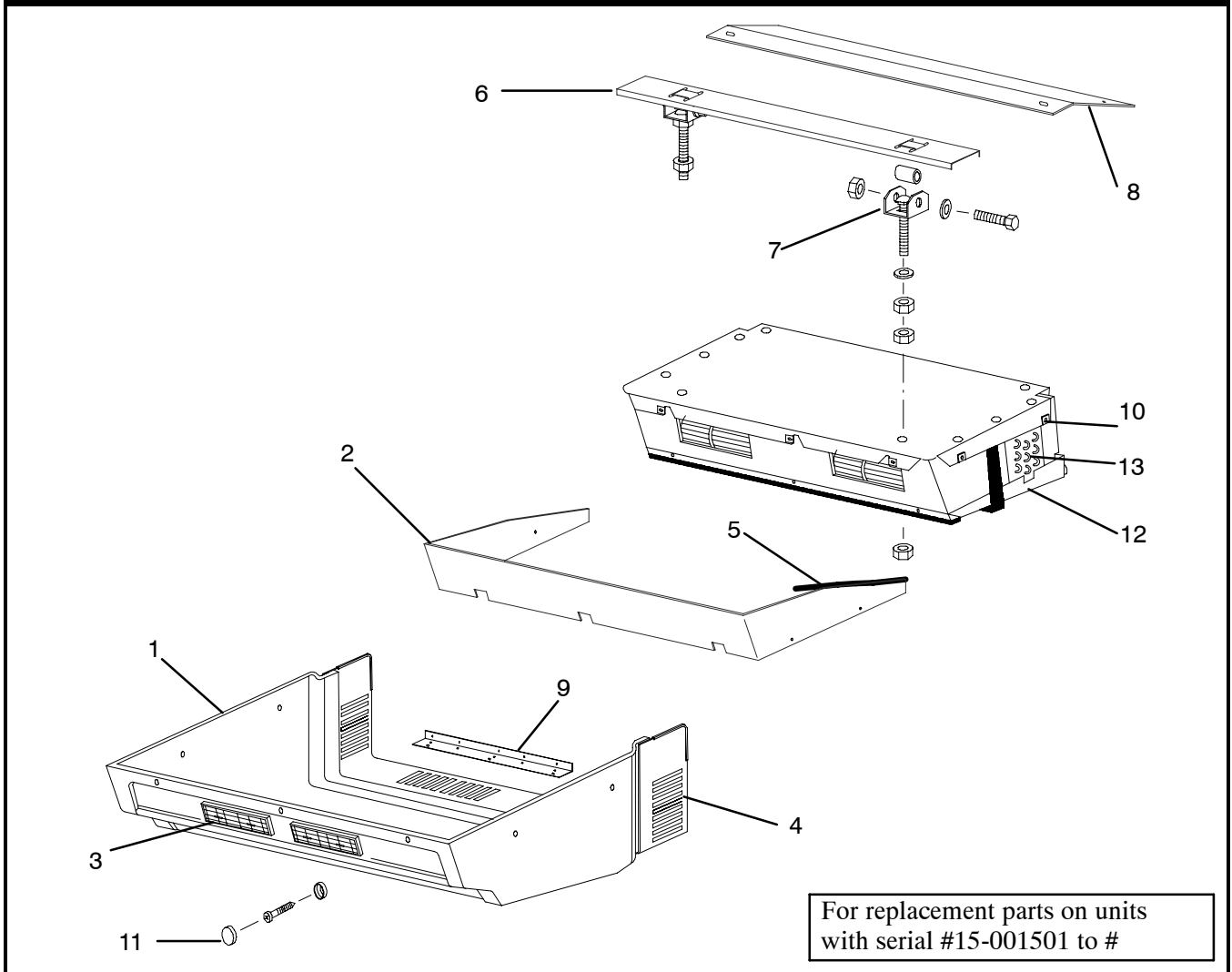
1.3.6 EM-3, GEN-5, COVER ASSEMBLY - Continued:



Item	Part Number	Description	Qty
19	68-63708-00	Bracket, Cover Support, Front, EM-3	1
20	AC701-123	Nut, Speed Clip, #10-16	2

SECTION 1.4 EM-6 EVAPORATORS

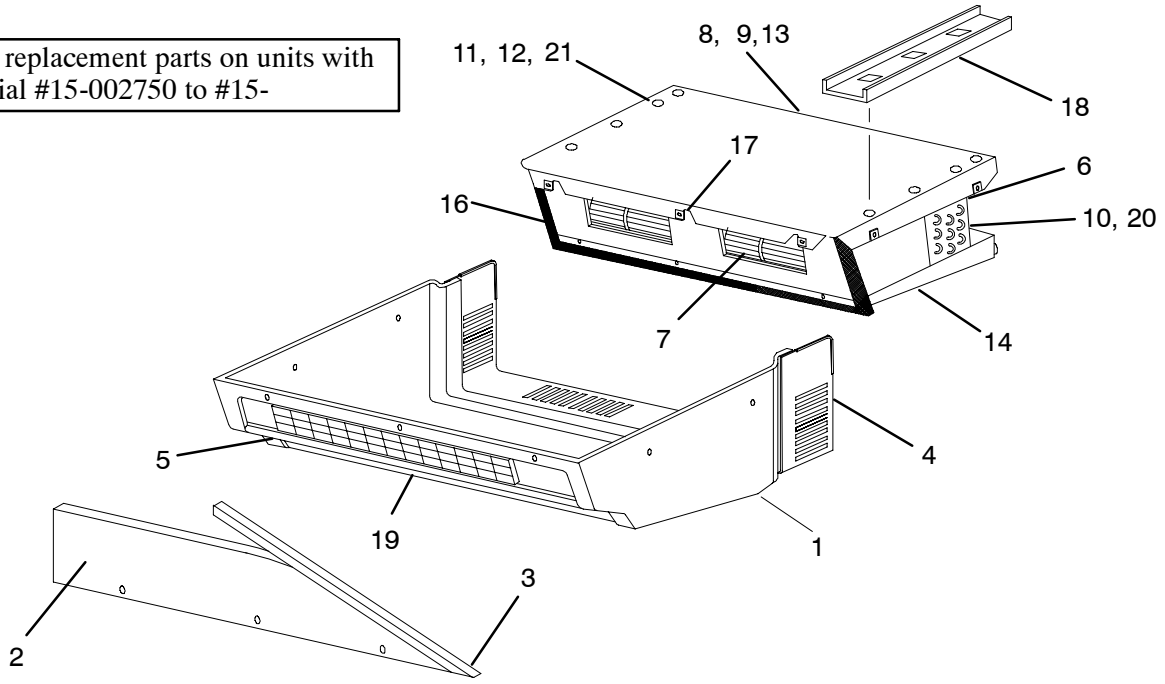
1.4.1 EVAPORATOR, EM-6, GEN 4, SIDE MOUNT, FREE BLOW



Item	Part Number	Description	Qty
1	79-62076-00	Cover Assembly, White	1
	79-62076-01	Cover Assembly, Gray	1
	N/A	Cover Assembly, Beige, (AC022-490-S)	1
2	AC022-293-1	Strip, Trim, White	1
	AC022-293-2	Strip, Trim, Gray	1
3	AC401-308	Assembly, Louver (7.0 X 3.0 Inches)	2
4	AC022-295P	Grill, Return Air, (Painted)	1
5	AC801-412F25	Trim, Flexible, Black (25 Ft. Roll)	1
6	AC021-278	Weldment, Hanger	1
7	AC021-223	Hanger, Front	2
8	AC022-297	Hanger, Rear	1
9	AC020-179P	Angle, Rear Screen Support	1
10	AC701-123	Clip, Tinnerman, High Torque, #10AB	10
11	AC801-530	Cap, Snap, Beige	7
	AC801-531	Cap, Snap, White	7
	AC801-532	Cap, Snap, Gray	7
12	AC022-772	Drain Pan	1
13	AC022-773-S	Coil Assembly, 3 Row, W/O Heat (Includes TXV)	1

1.4.2 EVAPORATOR, EM-6, GEN 4, FREE BLOW

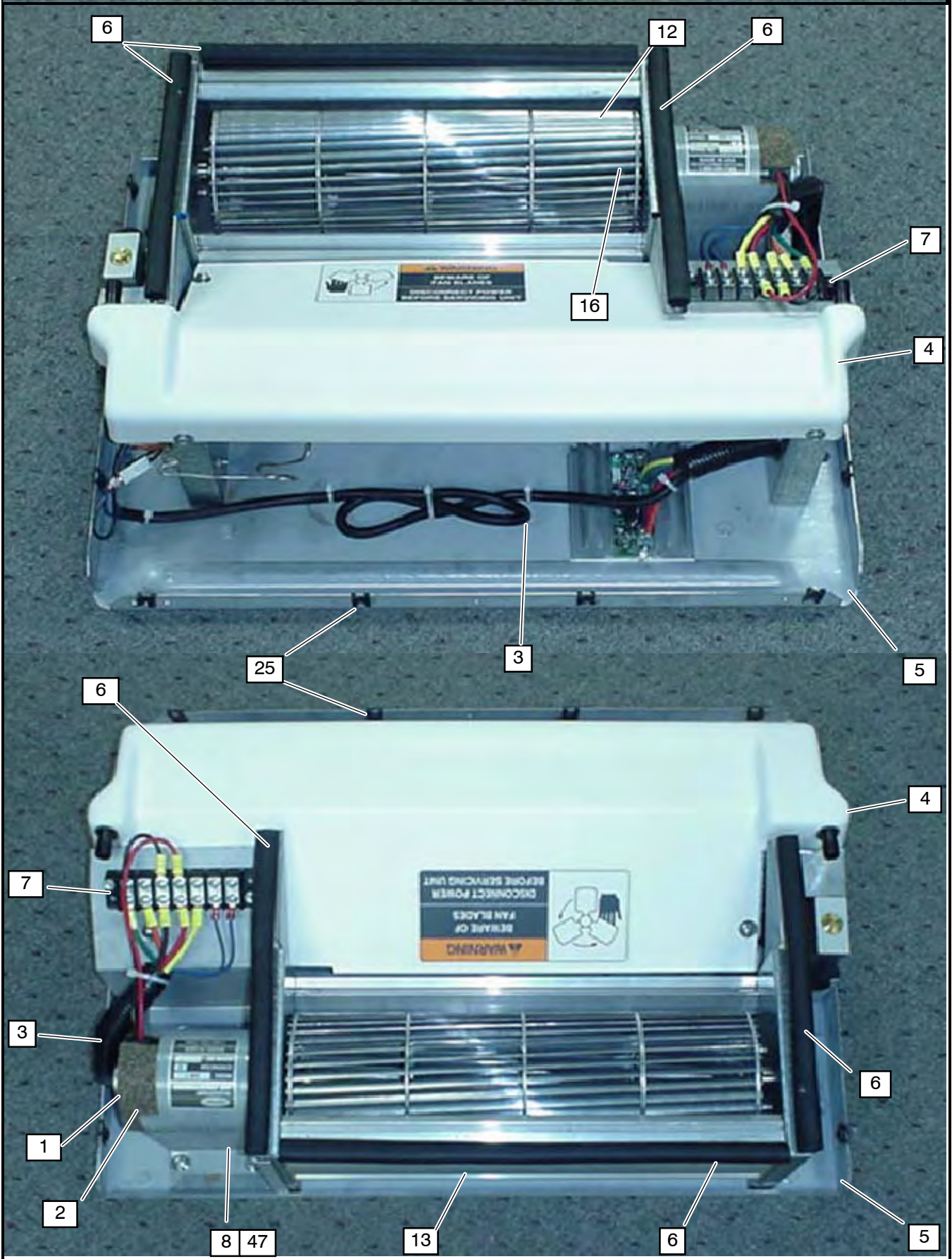
For replacement parts on units with serial #15-002750 to #15-



1.4.2 EVAPORATOR, EM-6, GEN 4, FREE BLOW - Continued:			
Item	Part Number	Description	Qty
1	79-62074-00	Cover Assembly, White	1
	79-62074-01	Cover Assembly, Gray	1
	N/A	Cover Assembly, Beige (AC022-349-S)	1
2	68-62578-01	Trim Strip, White/Gray, (39-1/2 inch X 3-1/4 Inch)	1
	68-62578-00	Trim Strip, Beige, (39-1/2 inch X 3-1/4 inch)	1
3	AC801-412F25	Flexible Trim, Black (25 Ft. Roll)	1
4	AC022-253	Grill, Air Inlet, Black, (Painted)	1
5	AC401-320	Assembly, Louver, Air Outlet, (14-3/8 X 3-3/8 Inch)	1
6	AC801-462	Filter, Return Air (1/4 X 8.0 X 19.0 Inch)	1
7	AC401-232	Assembly, Blower, Dual, 12 VDC	1
	AC401-233	Assembly, Blower, Dual, 24 VDC	1
8	22-62011-00	Resistor, 1.8 Ohm, 4 Prong X 6 Inches Long	1
9	22-62126-00	Harness, Unit, EM-6, GSA, 12 VDC	1
	22-62225-00	Harness, Unit, EM-6, With Low Pressure Switch, 12 VDC	1
	AC022-455	Harness, Unit, EM-6, 24 VDC	1
10	08-62061-00	Assembly, Coil, With Low Pressure Switch Connection	1
	08-62062-00	Assembly, Coil, With Heat, Coil, With Low Pressure Switch Connection	1
11	14-00301-03	Valve, Thermal Expansion	1
12	AC801-202	O-Ring, 1/2 Inch	2
13	AC201-501	Thermostat, Freeze-Up, Coil Insert	1
14	AC022-772-S	Assembly, Drain Pan, (Foamed)	1
15	AC801-403	Gasket, Foam (1-1/4 X 1-1/4 inch X 25 Foot Roll)	1
16	AC801-414	Gasket, Foam, Soft (3/8 X 1 inch X 25 Foot Roll)	1
17	AC701-123	Clip, Tinnerman, High-Torque (#10AB)	11
18	AC020-009	Channel, Mounting	2
19	AC022-289	Emblem, Carrier, (2-7/8 Inch)	1
20	AC201-412	Switch, Low Pressure	1
21	AC022-700	Bracket, TXV Support	1

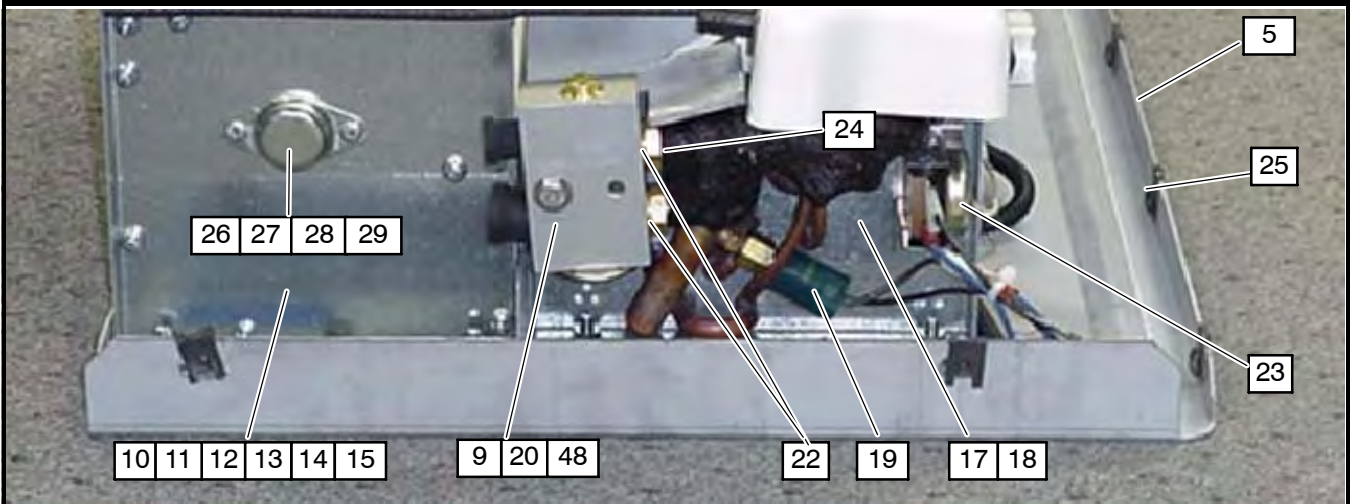
SECTION 1.5 EM-7 EVAPORATORS

1.5.1 EVAPORATOR, EM-7, GEN V, REAR MOUNT



1.5.1 EVAPORATOR, EM-7, GEN V, REAR MOUNT - Continued:

Item	Part Number	Description	Qty
1	54-00621-02	Motor Evaporator, 12 VDC, GEN-V	1
	54-00621-05	Motor Evaporator, 24 VDC, GEN-V	1
2	42-62052-00	Gasket, Motor	1
3	22-62099-00	Assembly, Harness, Evap., With Speed Control, (12-00533-00, NSS)	1
	22-62168-00	Assembly, Harness, Evap., 3 Speed	1
4	79-62106-02	Drain Pan Assembly, PVC, Includes:	1
4.1	42-62140-02Baffle, Drain Pan, Foam	1
5	68-62758-00	Panel, Top	1
6	58-62064-00F25	Trim Seal, 1/8 Inch Grip, (25 Foot Roll)	1
7	22-62141-01	Terminal Block, 7 Position, (30 Amp)	1
8	68-62726-00	Strap, Motor, (GEN V)	1
9	AC701-101	Clip, Tinnerman, high Torque, (1/4-20)	1



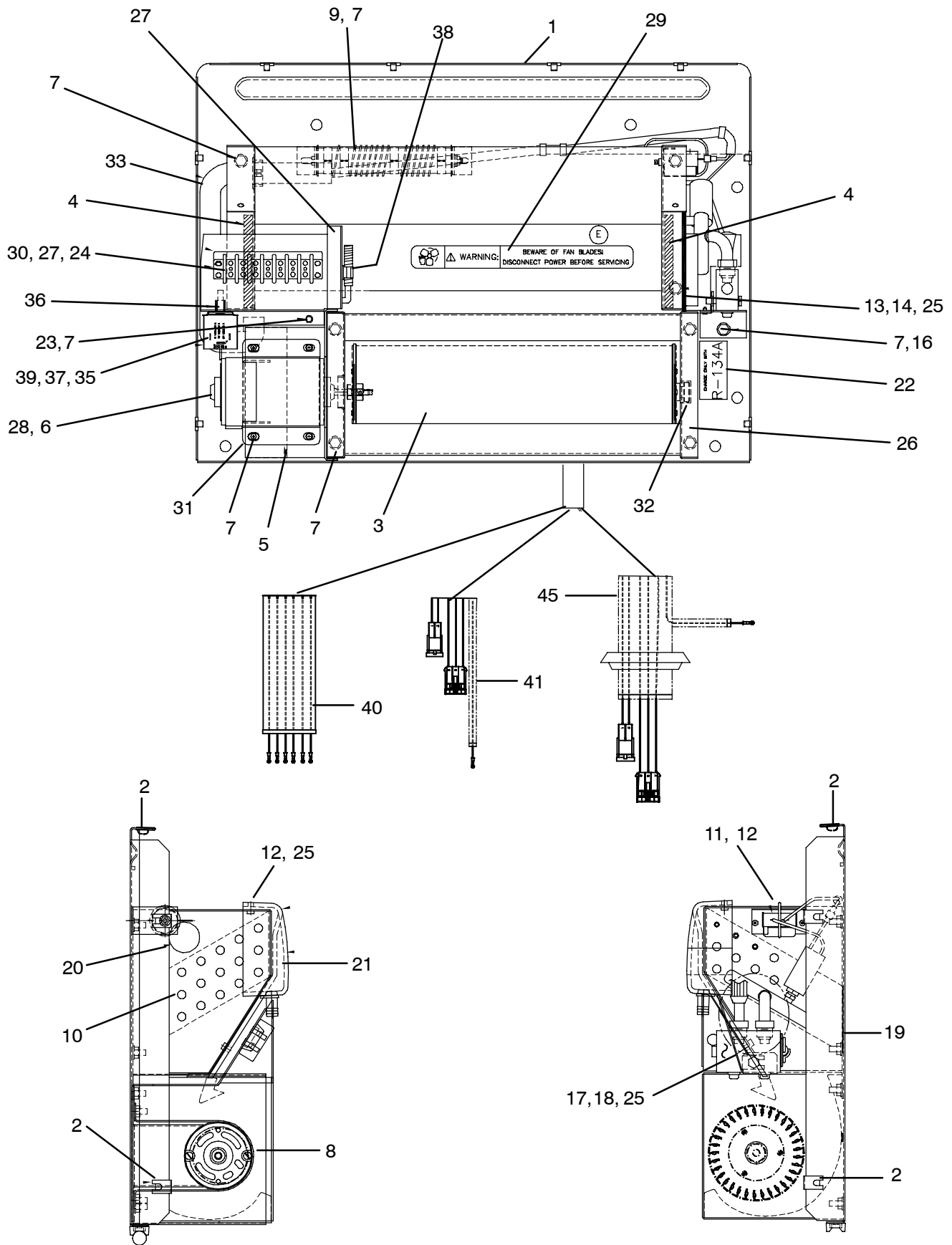
Item	Part Number	Description	Qty
10	NSS	Blower Housing & Gasket Assembly (79-62079-02) - Includes:	1
11	NSSBlower Housing & Wheel Assembly (38-00564-02) - Includes:	1
12	38-00564-52Blower Wheel (Length: 14.61 Inches - 371.1 mm)	1
13	38-00564-62Blower Housing	1
14	42-62118-00Gasket, Mounting, Blower Housing, 1/8 Inch Thick Neoprene	2
15	42-62117-02Gasket, Blower Housing, 3/16 Inch Thick Neoprene	1
16	34-00482-05Set Screw, Cup Point, 1/4-28, SS	1
17	79-02358-02	Coil Assembly, Evaporator, EM-7 - Includes:	1
18	08-62031-02Coil Assembly	1
19	AC201-412Switch, Pressure, Low, Female	1
20	14-00301-03Valve, Thermal Expansion, R134a	1
21	42-00032-00Tape, Insulation, Presstite, 2.00 Inch X 30 Feet Long	1
22	AC801-202O-Ring, HNBR, (1/2 Inch)	2
23	12-00547-00	Thermostat, Freeze, Non-Adjustable	1
24	68-62710-00	Assembly, Bracket, TXV	1
25	AC701-123	Clip, Tinnerman, High Torque, (#10AB)	8
26	76-62257-00	Blower Housing & Boot Repair Kit - Includes:	1
27	NSSHousing, Bearing, Blower Wheel	1
28	NSSBoot, Rubber, Blower Wheel	1
29	AC701-401	Pop Rivet, 3/16, Steel	2

1.5.1 EVAPORATOR, EM-7, GEN V, REAR MOUNT - Continued:



1.5.1 EVAPORATOR, EM-7, GEN V, REAR MOUNT - Continued:			
Item	Part Number	Description	Qty
30	79-62046-01	Cover Assembly, White, (Rear Mount)	1
	79-62046-02	Cover Assembly, Gray, (Rear Mount)	1
31	58-62042-00	Louver, Square, (GEN V) (8.0 X 3.0 Inches)	2
32	58-01385-00	Louver, Evaporator, 3 Inch (Requires Retaining Ring 58-01385-01)	2
	58-01385-01	Ring, Retaining, Louver (Used With Louver 58-01385-00)	2
33	68-62780-00	Trim Strip	1
34	AC020-009	Mounting Channel,	1
35	AC801-412F25	Gasket, Trim-Lock, Black (25 Ft. Roll)	1
36	AC022-289	Carrier Emblem	1
37	76-50131-00	Grill Kit, EM-7, - Includes: (Replaces Grill 68-62782-00 & Channel 68-62783-00)	1
38	68-63275-07 Grill, Evaporator, EM-7, Gen V (Painted)	1
39	68-63276-07 Door, Filter, EM-7, Gen V (Painted)	1
40	68-63277-07 Baffle, Cover, EM-7, Gen V	1
41	AC701-403 Rivet, Pop, 1/8 Inch, Steel (Fasten Door to Grill)	2
42	AC701-400 Rivet, Pop, 3/15 Inch, Steel (Fasten Baffle & Grill to Cover)	7
N/S	98-50618-00 Instructions, Grill, Door & Baffle Installation	1
43	38-00573-03	Filter, Air, EM-7	1
44	34-62019-00	Receptacle, 1/4 Turn	1
45	34-62020-00	Stud, 1/4 Turn, .25 Grip Range	1
46	34-06169-01	Washer, Retaining, .215 I. D.	1
47	68-08087-00	Spacer, Motor Alignment	1
48	79-62086-01	Bracket Assembly, TXV	1

1.5.2 EM-7, 3 SPEED CHASSIS KITS 77-62572-00 THRU -07 (COMMON PARTS)

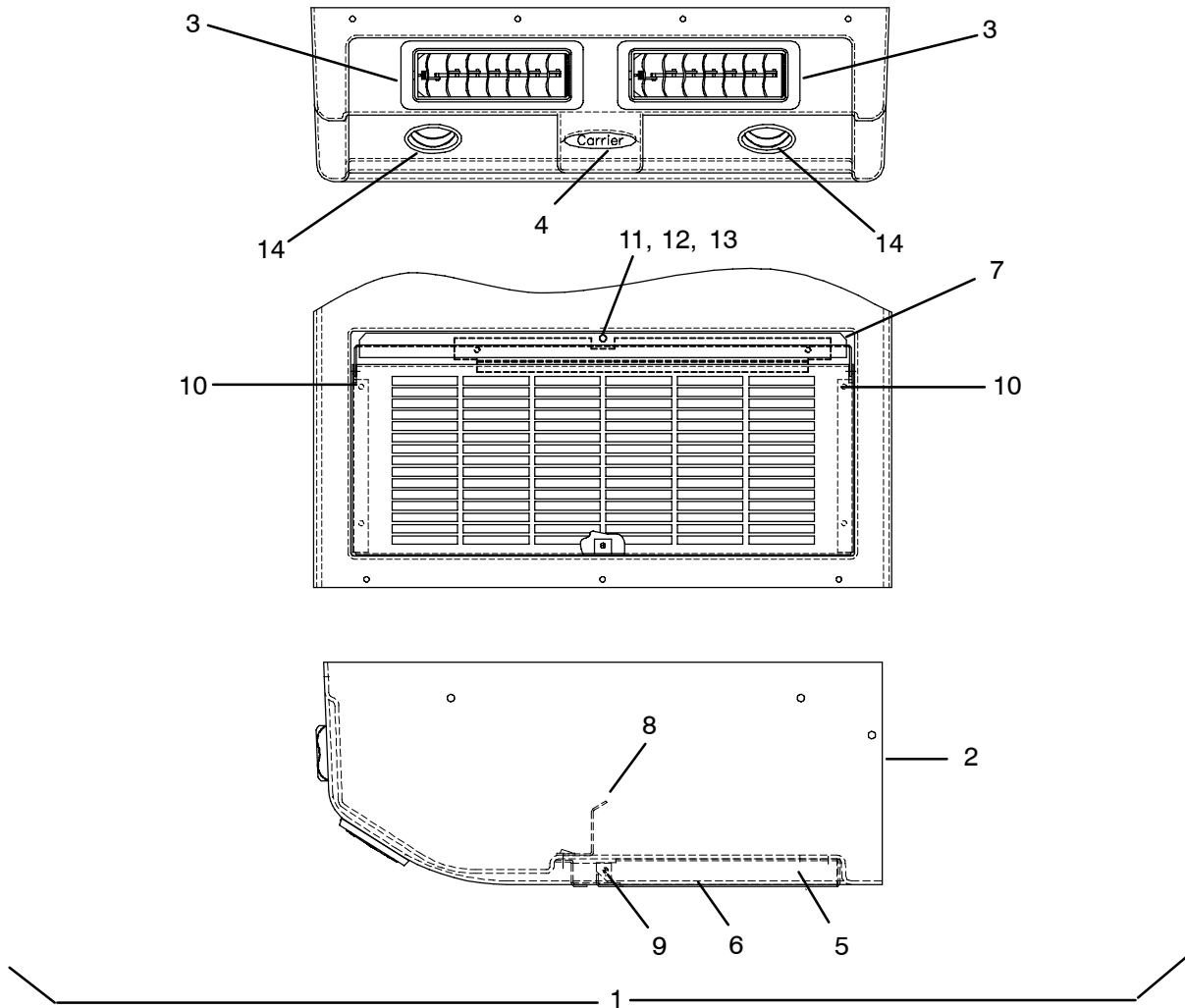


Reference Model Numbers: 77-62572-00 Thru -07

1.5.2 EM-7, GEN-V, 3 SPEED CHASSIS KITS 77-62572-00 THRU -07 (COMMON PARTS) - Continued:			
Item	Part Number	Description	Qty
1	68-62758-00	Panel Assembly, Top	1
2	AC701-123	Clip, Retaining, High Torque	8
3	NSS	Blower Housing & Gasket Assembly, (79-62079-01) Includes:	1
3.1	NSSBlower Housing & Wheel Assembly, (38-00564-01) Includes:	1
3.2	38-00564-52Blower Wheel (Length: 29.12 Inches - 739.8 mm)	1
3.3	38-00564-62Blower Housing	1
3.4	42-62118-00Gasket, Mounting, Blower Housing, 1/8 Inch Thick Neoprene	2
3.5	42-62117-02Gasket, Blower Housing, 3/16 Inch Thick Neoprene	1
3.6	34-00482-05Set Screw, Cup Point, 1/4-28, SS	1
4	AC801-401	Gasket, Foam, 3/16 x 3/8 x 50 Feet Roll	1
5	68-62725-00	Bracket, Motor Mounting	1
6	54-00621-02	Motor, Evaporator, EM-7, 12 VDC, (GEN-V)	1
7	34-62018-00	Nut, Flanged, Serrated Lock, 1/4-20, Zinc Plated	16
8	68-62726-00	Strap, Motor Support	1
9	22-62169-00	Resistor, Fan Speed, 220 Watt, .820 OHM	1
10	79-02358-02	Coil Assembly, Includes:	1
10.1	08-62031-02Coil Assembly, EM-7	1
10.2	AC201-412Switch, Pressure, Low	1
10.3	14-00301-03Valve, Thermal Expansion, R134a	1
10.4	42-00032-00Tape, Insulation, Presstite, 2.00 Inch x 30 Feet Long	1
10.5	AC801-202O-Ring, 1/2 Inch	2
11	12-00547-00	Thermostat, Freeze Up, Non-Adjustable	1
12	34-62050-04	Screw, Pan Head With External Tooth Washer, #10-32 x 0.50 Inch Long	5
13	34-62057-03	Screw, Pan Head, #10-32 x 0.75 Inch Long	1
14	34-00372-09	Washer, Lock, External Tooth, #10	1
15	66U1-3882	Wire Tie, Self-Locking, 7.00 Inches, Black	A/R
16	79-62086-01	Bracket Assembly, TXV	1
17	34-00655-12	Screw, Hex Head, 1/4-20 x 1.50 Inch Long, SST	1
18	AC701-101	Nut, Speed, 'J' Type, 1/4-20	1
19	AC022-743-7	Gasket, Coil, Neoprene, Adhesive Backed	1
20	58-62065-00	Bushing, Plastic, 1.00 Inch I.D.	1
21	79-62106-02	Drain Pan Assembly, EM-7 - Includes:	1
21.1	42-62140-02Baffle, Drain Pan, Foam	1
22	62-62039-00	Label, CHARGE ONLY WITH R134a	1
23	68-62870-00	Bracket, Mounting, Terminal Strip	1
24	22-62141-01	Terminal Block, 7 Position, Without Screws	1
25	34-06212-12	Washer, Plain, 1/4, SST	5
26	58-62064-00F25	Trim Seal, 1/8 Inch Grip, (25 Foot Roll)	A/R
27	34-62033-00	Screw, Binder Head, Phillips/Slotted, #10-32 x 0.38 Inch Long	14
28	42-62052-00	Gasket, Motor, (GenV)	1
29	62-62045-00	Label, WARNING FAN BLADES	2
30	34-00733-05	Nut, Hex, Keps, #8-32, Zinc	2
31	68-08087-00	Spacer, Motor Mounting (Located Under Mounting Bracket)	1
32	76-62257-00	Bearing Housing & Boot Repair Kit - Includes:	1
32.1	NSSHousing, Bearing, Blower Wheel	1
32.2	NSSBoot, Rubber, Blower Wheel	1
32.3	AC701-401	Rivet, Pop, 3/16 Steel	2

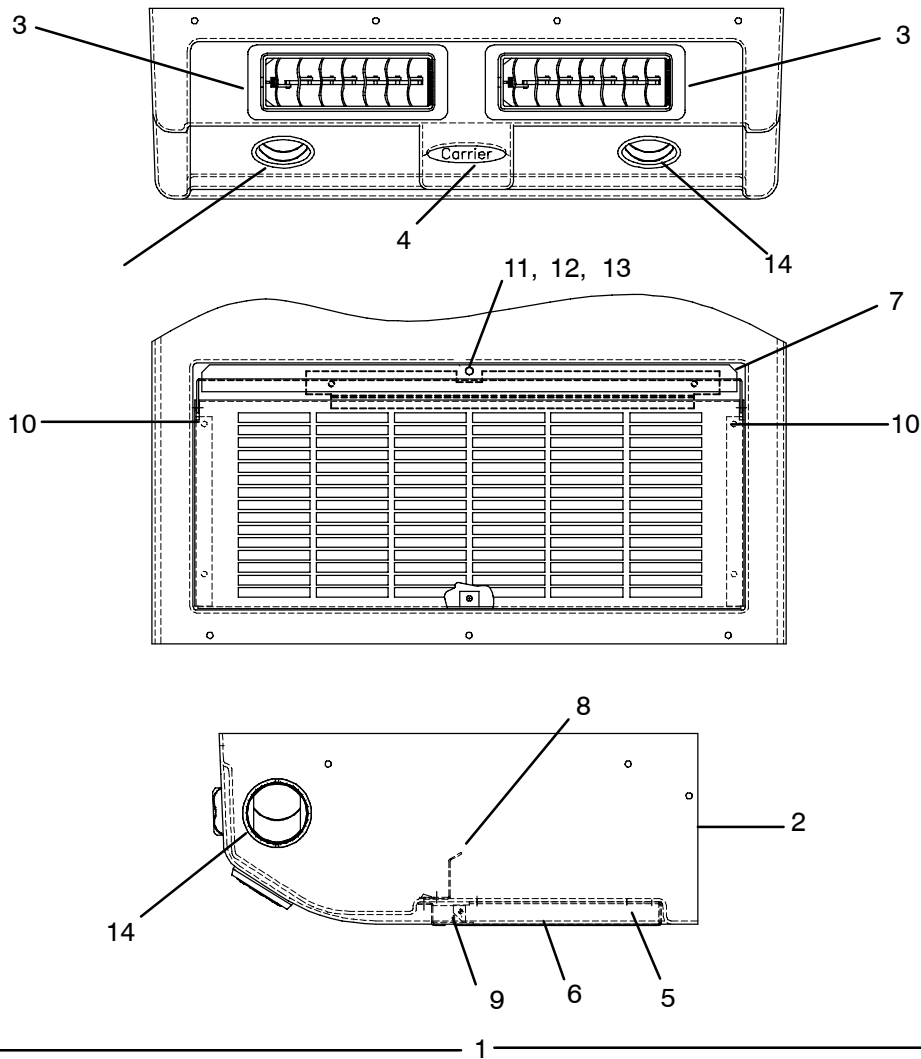
1.5.3 EM-7, GEN-V, 3 SPEED CHASSIS KIT 77-62572-00 (SPECIFIC PARTS LIST)			
Item	Part Number	Description	Qty
33	22-62168-00	Wire Harness, Evaporator, 3 Speed (Gen V)	1
34	58-00616-02	Plug, Hole, Nylon, 0.50 Diameter	1
1.5.4 EM-7, GEN-V, 3 SPEED CHASSIS KIT 77-62572-01 (SPECIFIC PARTS LIST)			
Item	Part Number	Description	Qty
33A	22-62168-01	Wire Harness, Evaporator, 3 Speed	1
35	AC201-500	Thermostat, Return Air	1
36	AC202-307	Nut, Hex, Fan Speed Switch	1
37	22-04065-00	Wire Assembly, Jumper	1
38	AC701-206	Clamp, Thermostat Coil	1
39	58-00858-00	Tubing, Split, Corrugated, 1/4 Inch I.D. x 25 Feet Long	1
1.5.5 EM-7, GEN-V, 3 SPEED CHASSIS KIT 77-62572-05 (SPECIFIC PARTS LIST)			
Item	Part Number	Description	Qty
33	22-62168-00	Wire Harness, Evaporator, 3 Speed	1
40	22-62261-00	Wire Harness, Evaporator	1
34	58-00616-02	Plug, Hole, Nylon, 0.50 Diameter	1
1.5.6 EM-7, GEN-V, 3 SPEED CHASSIS KIT 77-62572-06 (SPECIFIC PARTS LIST)			
Item	Part Number	Description	Qty
33	22-62168-00	Wire Harness, Evaporator, 3 Speed	1
41	22-62204-00	Wire Harness, Evaporator, TBB C2	1
42	AC701-401	Rivet, Pop, 3/16 Steel	2
43	AC701-303	Tie, Cable Holder	2
34	58-00616-02	Plug, Hole, Nylon, 0.50 Diameter	1
44	AC801-412F25	Trim, Flexible, Black 25 Ft. Roll)	1
1.5.7 EM-7, GEN-V, 3 SPEED CHASSIS KIT 77-62572-07 (SPECIFIC PARTS LIST)			
Item	Part Number	Description	Qty
33	22-62168-00	Wire Harness, Evaporator, 3 Speed	1
45	22-62247-00	Wire Harness, Evaporator, TBB C2	1
42	AC701-401	Rivet, Pop, 3/16 Steel	2
43	AC701-303	Tie, Cable Holder	2
34	58-00616-02	Plug, Hole, Nylon, 0.50 Diameter	1
44	AC801-412F25	Trim, Flexible, Black (25 Ft. Roll)	1

1.5.8 COVER ASSEMBLY, EM-7, GEN-V, REAR MOUNT



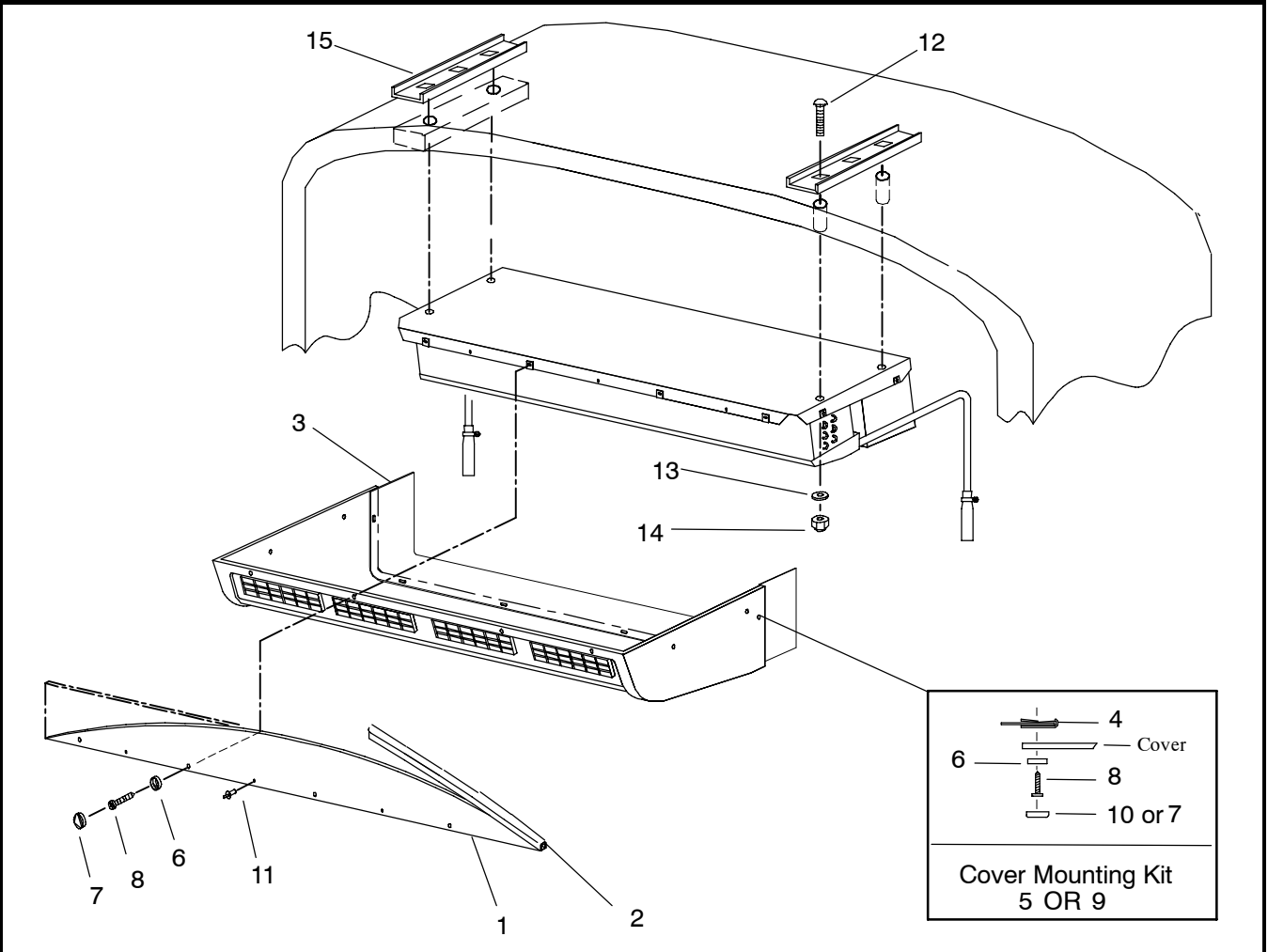
Item	Part Number	Description	Qty
1	79-62046-01	Cover Assembly, EM-7, Complete, Rear Mount, White - Includes:	1
	79-62044-02	Cover Assembly, EM-7, Complete, Rear Mount, Gray - Includes:	1
2	NSSCover Trimmed, EM-7 White	1
	NSSCover Trimmed, EM-7 Gray	1
3	58-62042-00Louver, Rectangle (8.0 X 3.0 Inches)	2
4	AC022-289Emblem, Carrier	1
5	38-00573-03Filter, Air, EM-7, GenV (20.65 X 9 Inches)	1
6	68-63275-07Grill, Evaporator, EM-7, GEN V, (Painted)	1
7	68-63276-07Door, Filter, EM-7, Gen V, (Painted)	1
8	68-63277-07Baffel, Cover, EM-7, Gen V	1
9	AC701-403Rivet, Pop, 1/8 inch, Steel (Fasten Door to Grill)	2
10	AC701-400Rivet, Pop, 3/16 inch, Steel (Faster Baffel & Grill to Cover)	7
11	34-62019-00Receptacle, 1/4 Turn	1
12	34-62020-00Stud, 1/4 Turn, .25 Grip Range	1
13	34-06169-01Washer, Retaining, .215 I. D.	1
14	58-62077-00Louver, Adjustable, 3.00 Inch (Round)	2

1.5.9 COVER ASSEMBLY, EM-7, GEN-V, SIDE MOUNT



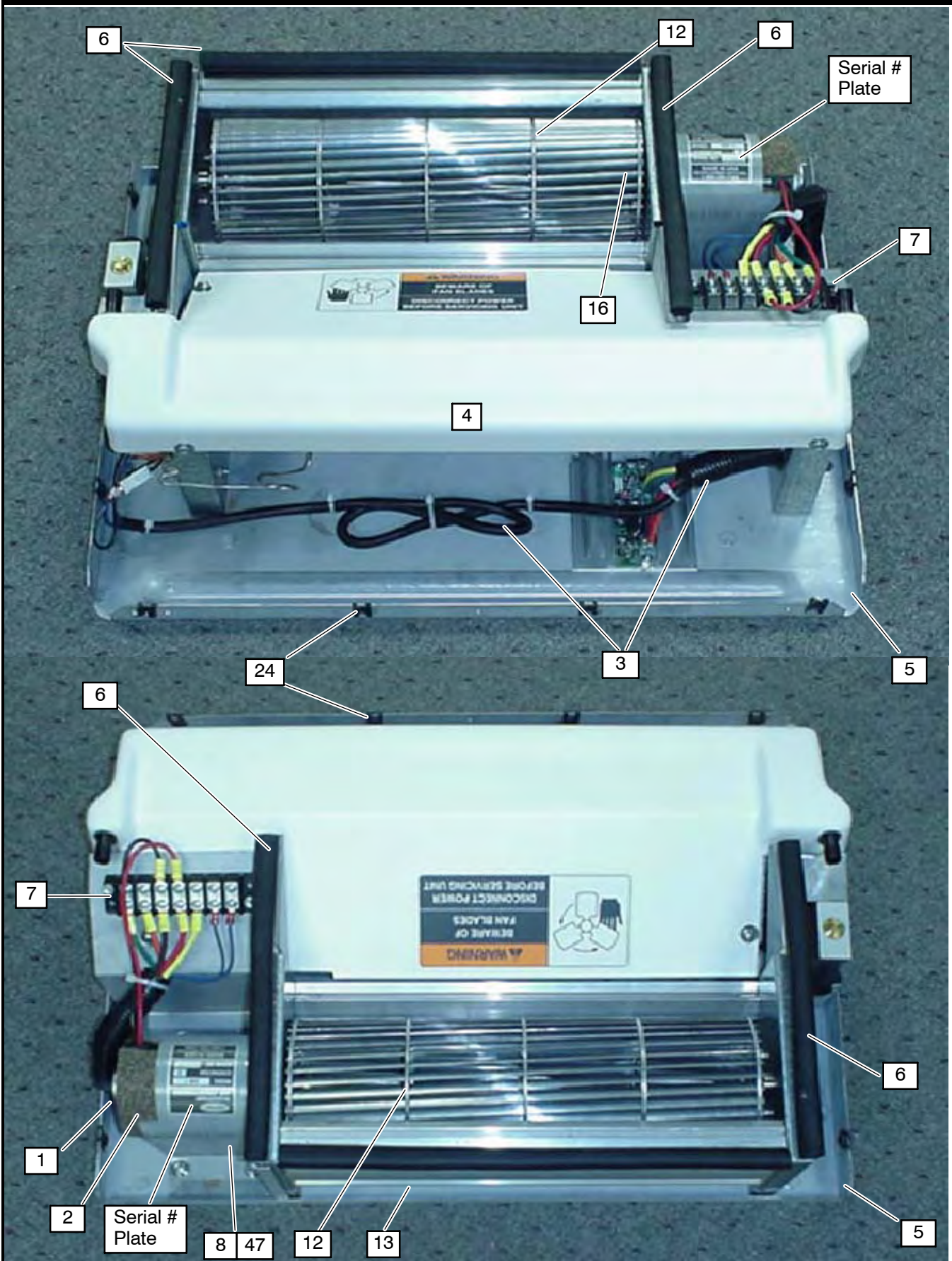
Item	Part Number	Description	Qty
1	79-62047-01	Cover Assembly, EM-7, Complete, Side Mount, White - Includes:	1
	79-62047-02	Cover Assembly, EM-7, Complete, Side Mount, Gray - Includes:	1
2	NSSCover Trimmed, EM-7 White	1
	NSSCover Trimmed, EM-7 Gray	1
3	58-62042-00Louver, Rectangle (8.0 X 3.0 Inches)	2
4	AC022-289Emblem, Carrier	1
5	38-00573-03Filter, Air, EM-7, GenV (20.65 X 9 Inches)	1
6	68-63275-07Grill, Evaporator, EM-7, GEN V, (Painted)	1
7	68-63276-07Door, Filter, EM-7, Gen V, (Painted)	1
8	68-63277-07Baffel, Cover, EM-7, Gen V	1
9	AC701-403Rivet, Pop, 1/8 inch, Steel (Fasten Door to Grill)	2
10	AC701-400Rivet, Pop, 3/16 inch, Steel (Faster Baffel & Grill to Cover)	7
11	34-62019-00Receptacle, 1/4 Turn	1
12	34-62020-00Stud, 1/4 Turn, .25 Grip Range	1
13	34-06169-01Washer, Retaining, .215 I. D.	1
14	58-62077-00Louver, Adjustable, 3.00 Inch (Round)	4

1.5.10 INSTALLATION COMPONENTS, EM-7, GEN V, REAR MOUNT

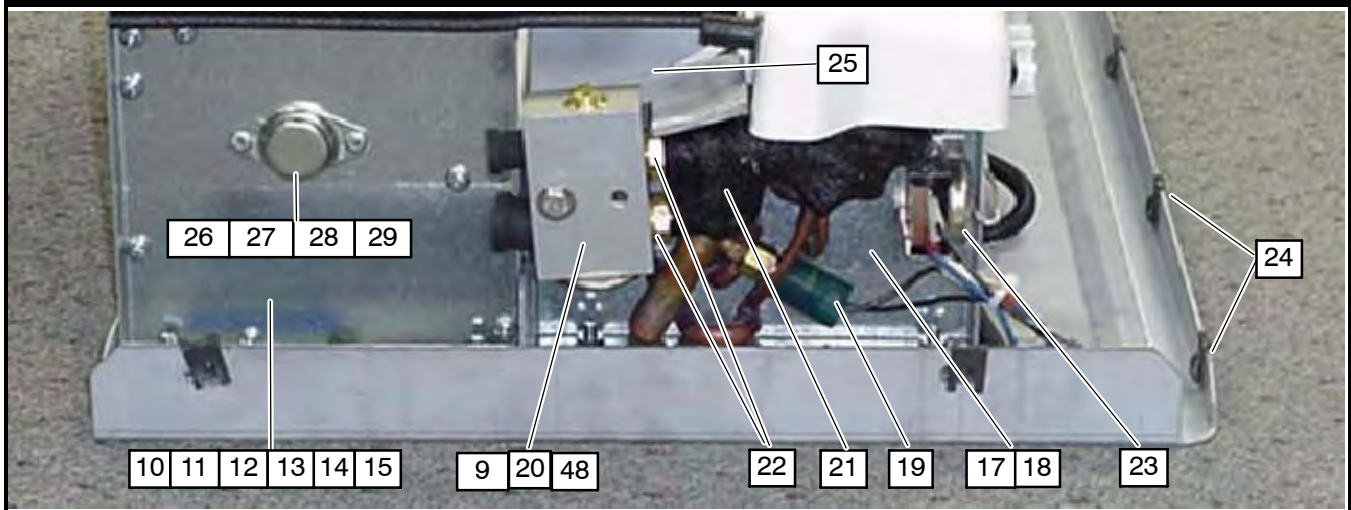


Item	Part Number	Description	Qty
1	68-62870-00	Trim Strip,, Gray One Side & White Other Side, EM-7	1
2	AC801-412F25	Gasket, Trimlock, Black (25 Ft. Roll)	1
3	68-62913-00	Panel, Gray, EM-7, Rear, (Requires Additional Item #5)	1
	68-62913-01	Panel, White, EM-7, Rear (Requires Additional Item #9)	1
4	AC701-123	Tinnerman Clip, Hi Torque, #10 AB	5
5	76-62103-00	Hardware Kit, Cover Mounting To Unit, Gray, Includes:	1
6	AC801-529 Washer, Snap Cap	8
7	AC801-532 Snap Cap, Gray	8
8	34-62046-00 Screw, Pan Head, Phillips, #10 X 5/8 Inch, AB, Black	8
9	76-62103-04	Hardware Kit, Cover Mounting To Unit, White, Includes:	1
6	AC801-529 Washer, Snap Cap	8
10	AC801-531 Snap Cap, White	8
8	34-62046-00 Screw, Pan Head, Phillips, #10 X 5/8 Inch, AB, Black	8
-	76-62103-01	Hardware Kit, Unit Mounting To Channels, Includes:	1
11	AC701-403 Rivet, Pop, 1/8-Steel	3
12	34-01310-01 Bolt, Carriage, 3/8-16 X 4 Inches, Full Thread, GD-8, Zinc Plated	4
13	34-00588-13 Washer, Flat, 3/8 Inch, Zinc Plated	4
14	34-00361-13 Nut, Hex, Lock, 3/8-16, Zinc Plated	4
15	AC020-009	Channel, Mounting, 3/16 X 30 Inches Long	2
	AC021-360	Channel, Mounting, 3/16 X 15.75 Inch, (Model 77-62712-80 & -82 Only)	2

1.5.11 EVAPORATOR, EM-7, GEN V, SIDE MOUNT



1.5.11 EVAPORATOR, EM-7, GEN V, SIDE MOUNT - Continued:



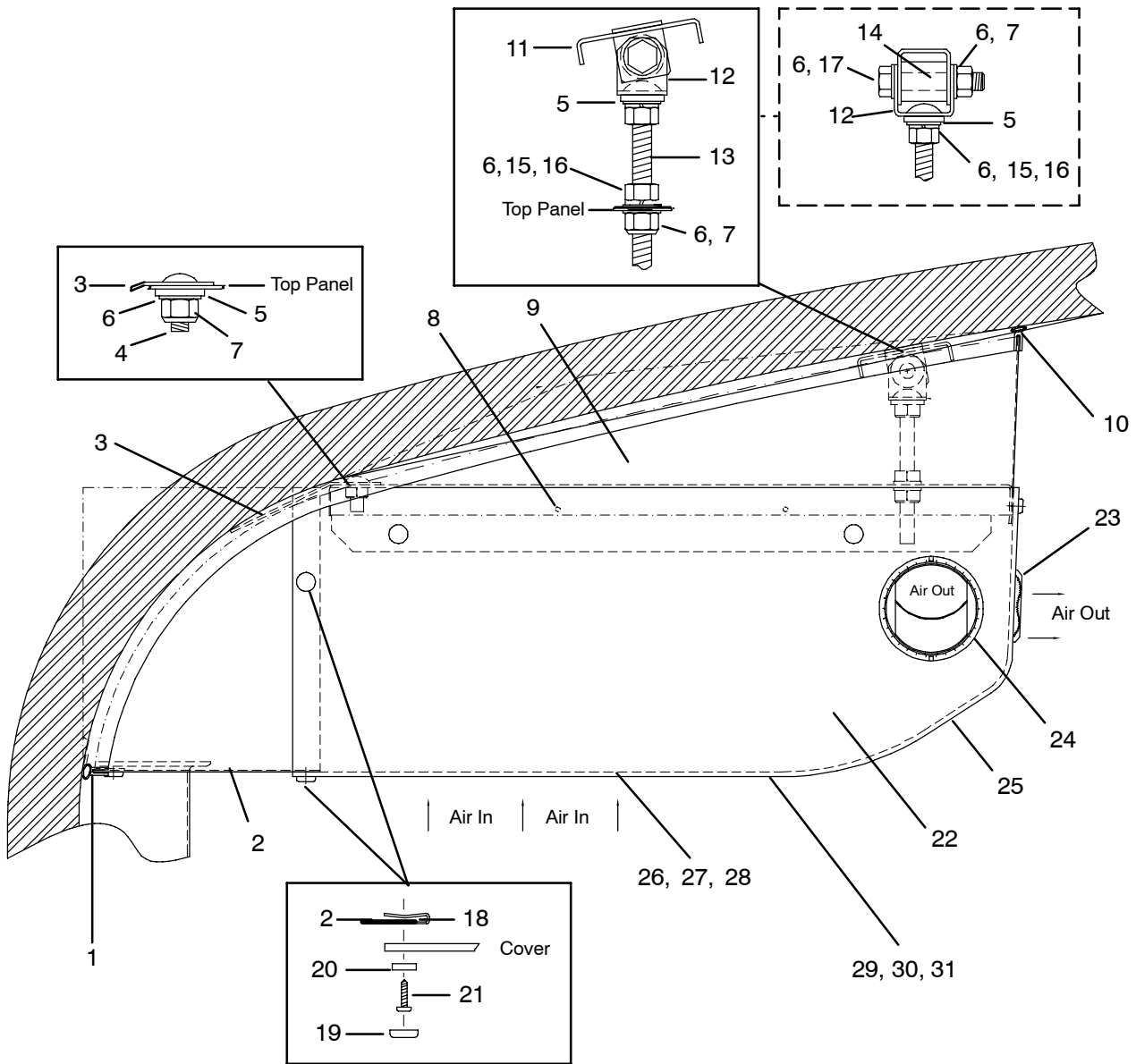
Item	Part Number	Description	Qty
1	54-00621-02	Motor Evaporator, GEN-V, 12 VDC	1
	54-00621-05	Motor Evaporator, GEN-V, 24 VDC	1
2	42-62052-00	Gasket, Motor	1
3	22-62099-00	Assembly, Harness, Evap., With Speed Control, (12-00533-00, NSS)	1
	22-62168-00	Assembly, Harness, Evap., 3 Speed	1
4	79-62106-02	Drain Pan Assembly, EM-7 - Includes:	1
4.1	42-62140-02Baffle, Drain Pan, Foam	1
5	68-62758-00	Panel, Top	1
6	58-62064-00F25	Seal, Trim, 1/8 Inch Grip, (25 Foot Roll)	1
7	22-62141-01	Terminal Block, 7 Position, (30 Amp)	1
8	68-62726-00	Strap, Motor, (GEN V)	1
9	AC701-101	Clip, Tinnerman, High Torque, 1/4-20	1
10	NSS	Blower Housing & Gasket Assembly (79-62079-02) - Includes:	1
11	NSS	Blower Housing & Wheel Assembly (38-00564-02) - Includes:	1
12	38-00564-52Blower Wheel, EM-7 (Length: 14.61 Inches - 371.1 mm)	1
13	38-00564-62Blower Housing (Length: 14.61 Inches - 371.1 mm)	1
14	42-62118-00Gasket, Mounting, Blower Housing, 1/8 Inch Thick Neoprene	2
15	42-62117-02Gasket, Blower Housing, 3/16 Inch Thick Neoprene	1
16	34-00482-05Set Screw, Cup Point, 1/4-28, SS	1
17	79-02358-02	Coil Assembly, EM-7, Includes:	1
18	08-62031-02Coil Assembly	1
19	AC201-412Switch, Pressure, Low, Female	1
20	14-00301-03Valve, Block, Thermal Expansion, R134a	1
21	42-00032-00Tape, Insulation, Presstite, 2.00 Inches X 30 Feet Long	1
22	AC801-202O-Ring, HNBR, (1/2 Inch)	2
23	12-00547-00	Thermostat, Freeze, Non-Adjustable	1
24	AC701-123	Clip, Tinnerman, High Torque, (#10AB)	8
25	68-62710-00	Assembly, Bracket, TXV	1
26	76-62257-00	Bearing Housing & Boot Repair Kit - Includes:	1
27	NSSHousing, Bearing	1
28	NSSBoot, Rubber	1
29	AC701-401	Pop Rivet, 3/16 SD62BS, Steel	2

1.5.11 EVAPORATOR, EM-7, GEN V , SIDE MOUNT - Continued:



1.5.11 EVAPORATOR, EM-7, GEN V , SIDE MOUNT - Continued:			
Item	Part Number	Description	Qty
30	79-62047-01	Cover Assembly, White, (Side Mount)	1
	79-62047-02	Cover Assembly, Gray, (Side Mount)	1
31	58-01385-00	Louver, Evaporator, 3 Inch (Requires Retaining Ring 58-01385-01)	4
	58-01385-01	Ring, Retaining, Louver (Used With Louver 58-01385-00)	4
32	58-62042-00	Louver, Rectangle, (GEN V) (8.0 X 3.0 Inches)	2
33	68-62780-00	Trim Strip	1
34	AC020-009	Mounting Channel,	1
35	AC801-412F25	Gasket, Trim-Lock, Black/Black X Foot	1
36	AC022-289	Carrier Emblem	1
37	38-00573-03	Filter, Air, EM-7	1
38	76-50131-00	Grill Kit, EM-7, - Includes: (Replaces Grill 68-62782-00 & Channel 68-62783-00)	1
39	68-63275-07 Grill, Evaporator, EM-7, Gen V (Painted)	1
40	68-63276-07 Door, Filter, EM-7, Gen V (Painted)	1
41	68-63277-07 Baffle, Cover, EM-7, Gen V	1
42	AC701-403 Rivet, Pop, 1/8 Inch, Steel (Fasten Door to Grill)	2
43	AC701-400 Rivet, Pop, 3/15 Inch, Steel (Fasten Baffle & Grill to Cover)	7
N/S	98-50618-00 Instructions, Grill, Door & Baffle Installation	1
44	34-62019-00	Receptacle, 1/4 Turn	1
45	34-62020-00	Stud, 1/4 Turn, .25 Grip Range	1
46	34-06169-01	Washer, Retaining, .215 I. D.	1
47	68-08087-00	Spacer, Motor alignment	1
48	79-62086-01	Bracket Assembly (TXV)	1

1.5.12 INSTALLATION COMPONENTS, EM-7, GEN-V, SIDE MOUNT



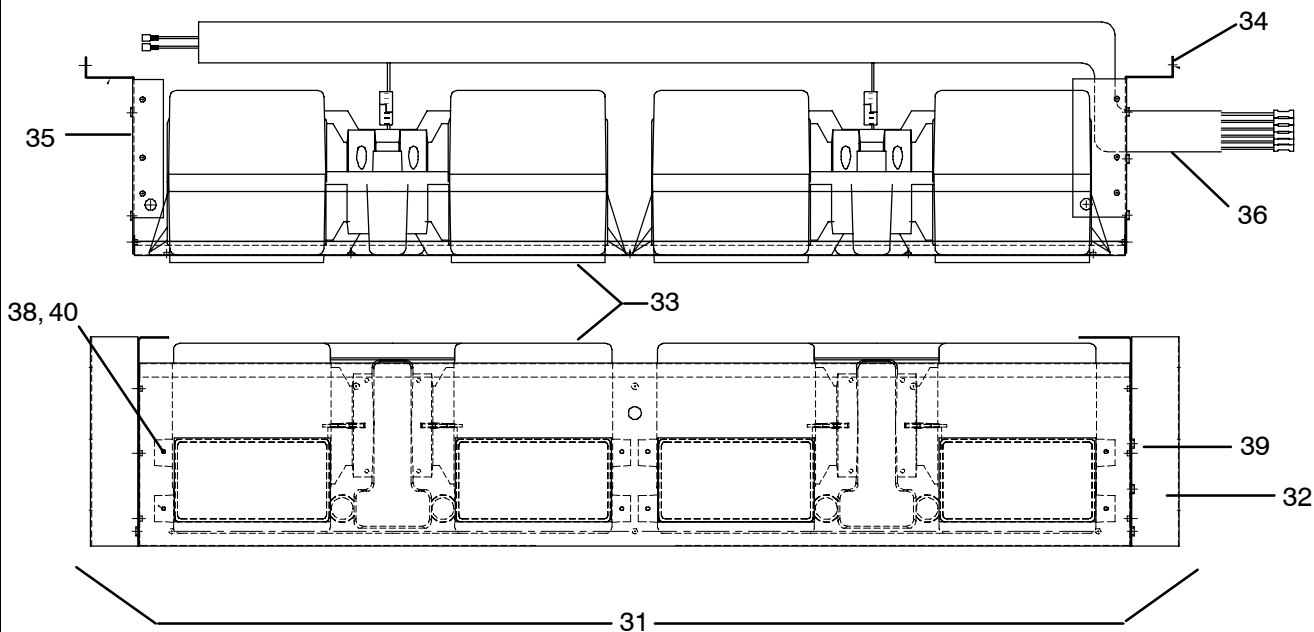
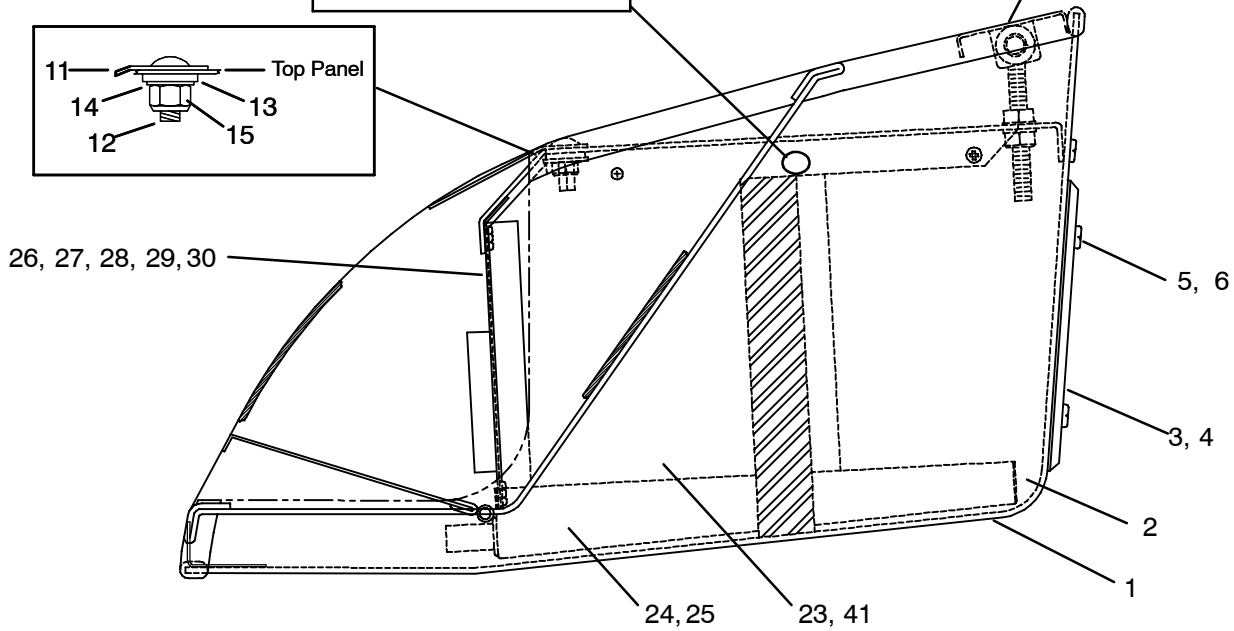
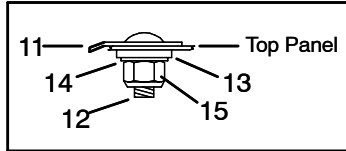
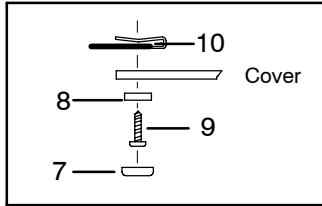
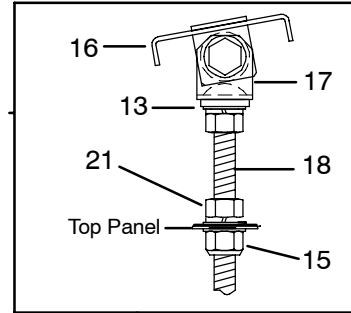
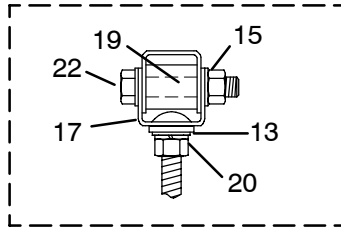
Item	Part Number	Description	Qty
1	AC020-179P	Support Angle	1
2	68-62913-00	Trim Strip, Rear, Gray	1
	68-62913-01	Trim Strip, Rear, White	1
3	68-62905-00	Rear Hanger, Side Mount	1
4	34-01310-00	Bolt, Carriage, Round Head, 3/8-16 X 1-1/4 Inch, Zinc plated	2
5	AC601-602	Spacer, Steel, 7/8 OD X 1/2 ID X 1/8 InchLong	2
6	34-00588-13	Washer, Flat, 3/8 Inch, Zinc Plated	8
7	34-00361-13	Nut, Hex, Lock, 3/8-16, Zinc Plated	6
8	AC701-403	Rivet, Pop, 1/8 Inch, Steel	4
9	68-62914-00	Trim Strip, Side, Gray	1
	68-62914-01	Trim Strip, Side, White	1
10	AC801-412F25	Gasket, Trimlock, Black (25 Ft. Roll)	1

1.5.12 INSTALLATION COMPONENTS, EM-7, GEN-V, SIDE MOUNT - Continued:			
Item	Part Number	Description	Qty
11	86-62246-00	Bracket, Weld Assembly, Front Hanger	1
12	AC021-223	Bracket, Hanger, Front	2
13	34-01310-02	Bolt, Carriage, Round Head, 3/8-16 X 6 Inch, Zinc plated, Full Thread	1
14	AC601-616	Spacer, Steel, 7/8 OD X 1/2 ID X 1 Inch Long	2
15	34-00368-13	Washer, Split Lock, 3/8 Inch, Zinc Plated	6
16	34-00363-13	Nut, Hex, 3/8-16, Zinc Plated	4
17	17-40034-05	Bolt, Hex Head, 3/8-16 X 2 Inch, Zinc Plated, Grade 8	2
18	AC701-123	Tinnerman Clip, Hi Torque, #10 AB	8
19	AC801-531	Cap, Snap, White	8
	AC801-532	Cap, Snap, Gray	8
20	AC801-529	Washer, Snap Cap	8
21	34-62046-00	Screw, Pan Head Phillips, #10 X 5/8 Inch, AB, Black	8
22	79-62047-01	Assembly, Cover, White, EM-7	1
	79-62047-02	Assembly, Cover, Gray, EM-7	1
23	58-62042-00	Louver, Rectangle (8.0 X 3.0 Inches)	2
24	58-01385-00	Louver, Evaporator, 3 Inch (Requires Retaining Ring 58-01385-01)	4
	58-01385-01	Ring, Retaining, Louver (Used With Louver 58-01385-00)	4
25	AC022-289	Emblem, Carrier	1
26	38-00573-03	Filter, Air, 36.5 X 9.0 Inches, EM-7, (GenV)	1
27	68-62782-00	Grill, Evaporator, EM-7, GEN V, (Painted)	1
28	68-62783-00	Channel, Filter, EM-7, GEN V, (Painted)	1
29	34-06169-01	Washer, Retaining	1
30	34-62020-00	Stud, 1/4 Turn, .25 Grip Range	1
31	34-62019-00	Receptacle, 1/4 turn	1

SECTION 1.6 EM-9 EVAPORATORS

1.6.1 EVAPORATOR, EM-9, GEN 4, SIDE MOUNT, DUCTED

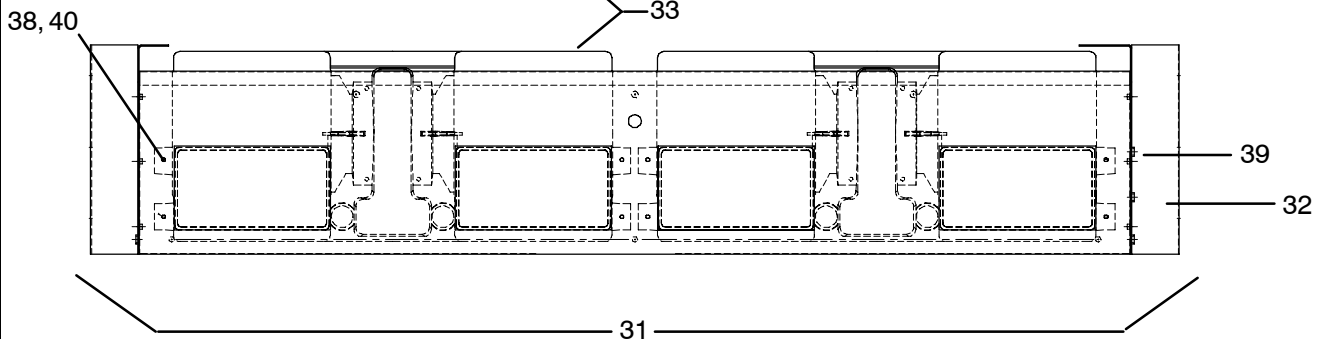
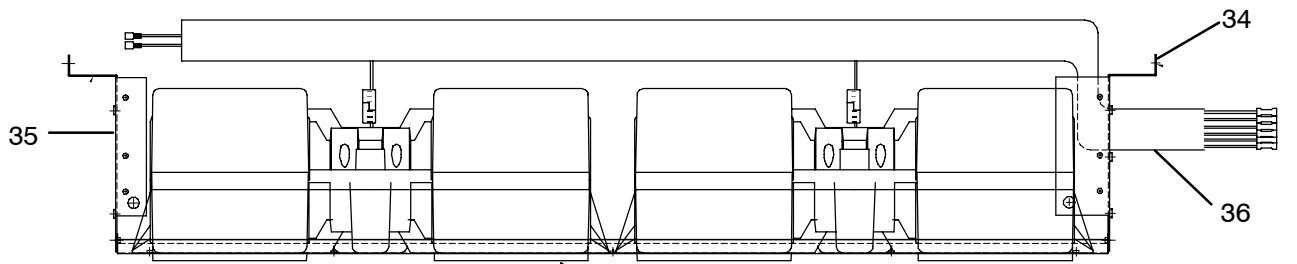
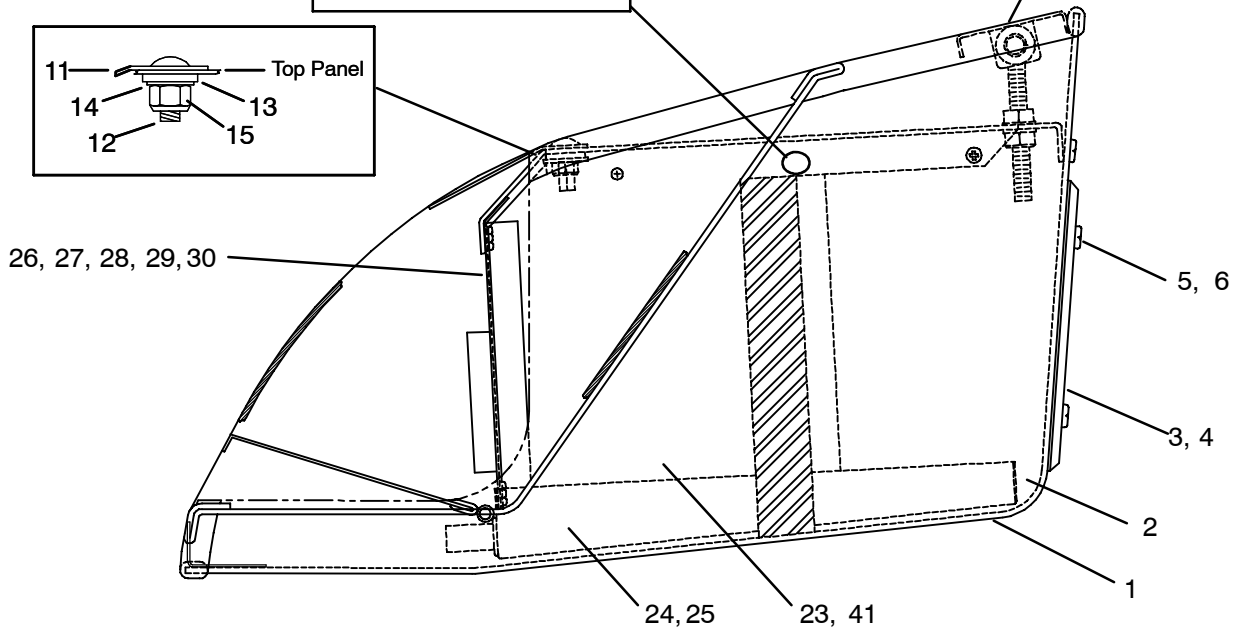
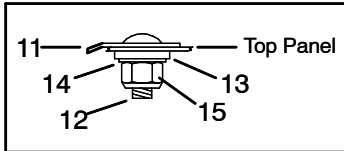
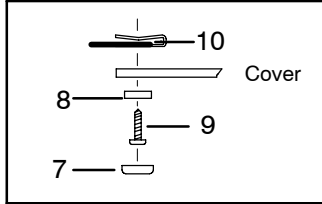
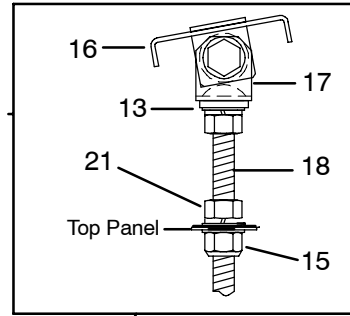
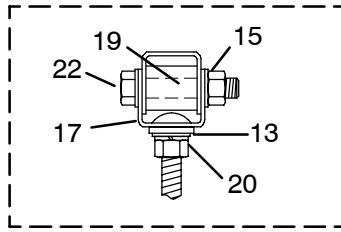
For replacement parts on EM-9
with serial #9-901741 to #



1.6.1 EVAPORATOR, EM-9, GEN 4, SIDE MOUNT, DUCTED - Continued:			
Item	Part Number	Description	Qty
1	AC021-358	Cover Assembly, White - Includes:	1
2	AC021-357Cover, White	1
3	AC021-190-1Grill, Return Air, White	2
4	38-00558-00Filter, Air, Metal	2
5	AC701-106Tinnerman Clip, 1/4-20	8
6	AC801-307Screw, Nylon, Knurled Head, 1/4-20	8
1	AC021-366	Cover Assembly, Gray - Includes:	1
2	AC021-365Cover, Gray	1
3	AC021-190-2Grill, Return Air, Gray	2
4	38-00558-00Filter, Air, Metal	2
5	AC701-106Tinnerman Clip, 1/4-20	8
6	AC801-307Screw, Nylon, Knurled Head, 1/4-20	8
1	AC021-042	Cover Assembly, Beige - Includes:	1
2	AC021-189Cover, Beige	1
3	AC021-190Grill, Return Air, Beige	2
4	38-00558-00Filter, Air, Metal	2
5	AC701-106Tinnerman Clip, 1/4-20	8
6	AC801-307Screw, Nylon, Knurled Head, 1/4-20	8
7	AC801-531	Snap Cap, White	11
	AC801-532	Snap Cap, Gray	11
	AC801-530	Snap Cap, Beige	11
8	AC801-529	Washer, Snap Cap	11
9	34-62046-00	Screw, TF Pan Head, #10 X 5/8 Inch Long, AB, Black	11
10	AC701-123	Clip, Tinnerman, High Torque, 10 AB	14
11	AC021-188	Rear Hanger, Side Mount	1
12	34-01310-00	Bolt, Carriage, Round Head, 3/8-16 X 1-1/4 Inch, Zinc plated	2
13	AC601-602	Spacer, Steel, 7/8 OD X 1/2 ID X 1/8 Inch Long	4
14	34-00366-13	Washer, Flat, 3/8 Inch, Zinc Plated	8
15	34-00361-13	Nut, Hex, Lock, 3/8-16, Zinc Plated	6
16	AC020-174	Bracket, Weld Assembly, Front Hanger	1
17	AC021-223	Bracket, Hanger, Front	2
18	34-01310-02	Bolt, Carriage, Round Head, 3/8-16 X 6 Inch, Zinc plated	2
19	AC601-616	Spacer, Steel, 7/8 OD X 1/2 ID X 1 Inch Long	2
20	34-00368-13	Washer, Split Lock, 3/8 Inch, Zinc Plated	6
21	34-00363-13	Nut, Hex, 3/8-16, Zinc Plated	4
22	17-40034-05	Bolt, Hex Head, 3/8-16 X 2 Inch, Zinc Plated, Grade 8	2
23	08-62066-00	Coil, Evaporator, EM-9, 3 Row, Without Heat	1
	08-62065-00	Coil, Evaporator/Heater, EM-9, 3/1 Row, With Heat	1
24	81-62019-00	Drain Pan Assembly, Painted	1
25	AC801-416	Gasket, Foam, 1/8 X 12-3/4 X 300 Ft.	1
26	AC201-501	Thermostat, Freeze-Up	1
27	76-62019-00	Resistor Kit, (1.8 OHM, 4-Prong)	2
28	14-00301-03	Valve, Thermal Expansion, Block	1
29	AC801-202	O-Ring, 1/2 Inch HNBR	2
30	AC021-195	Bracket, TXV	1
31	79-62005-00	Blower Mounting Assembly, 12 VDC, EM-9 - Includes:	1
32	AC021-187Panel, Blower Mounting	1

1.6.1 EVAPORATOR, EM-9, GEN 4, SIDE MOUNT, DUCTED - Continued:

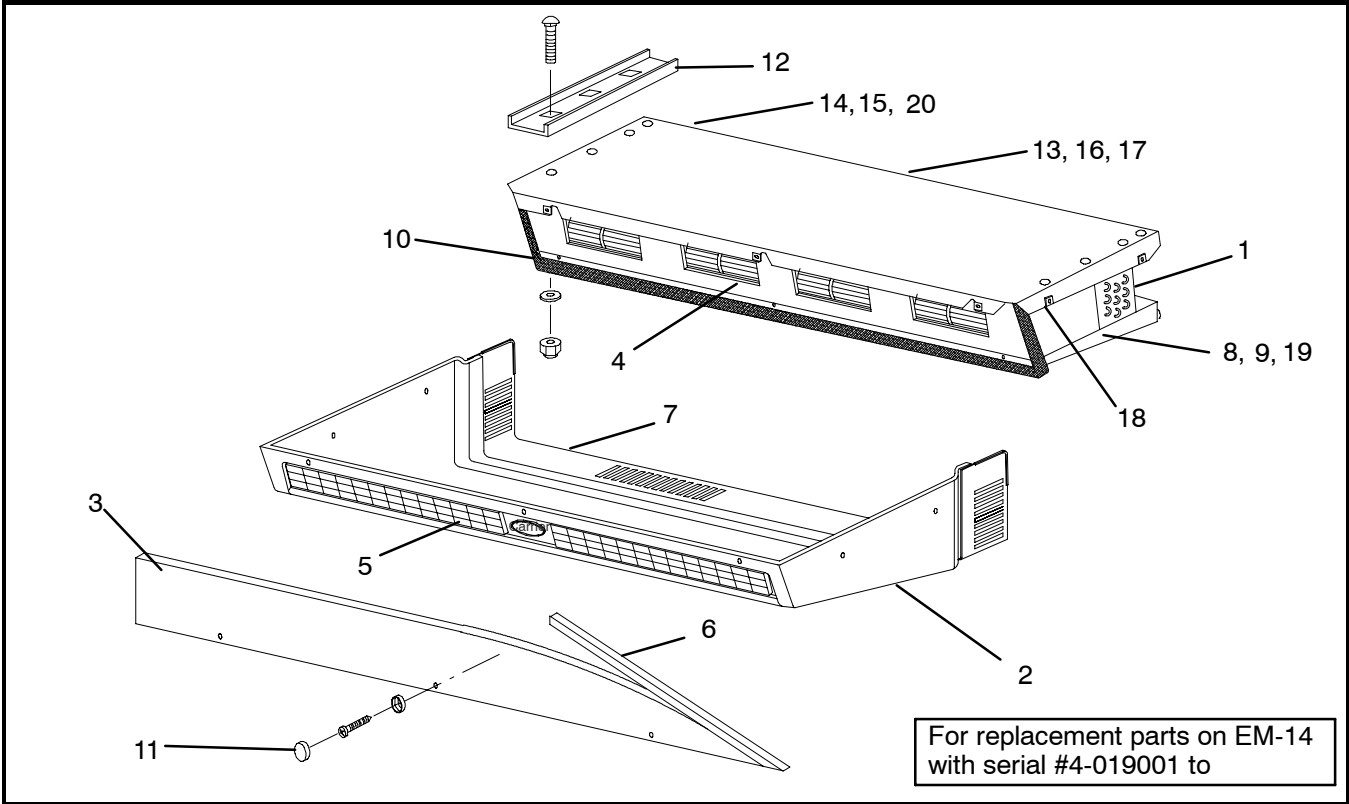
For replacement parts on EM-9
with serial #9-901741 to #



1.6.1 EVAPORATOR, EM-9, GEN 4, SIDE MOUNT, DUCTED - Continued:			
Item	Part Number	Description	Qty
33	AC401-232Blower Assembly, 12 VDC	2
34	AC021-182Blower Housing , Left	1
35	68-62237-00Blower Housing, Right Side	1
36	22-62226-00Wire, Harness, EM-9, With Low Pressure Switch	1
31	79-62005-01	Blower Mounting Assembly, 24 VDC, EM-9 - Includes:	1
32	AC021-187Panel, Blower Mounting	1
33	AC401-233Blower Assembly, 24 VDC	2
34	AC021-182Blower Housing , Left	1
35	68-62237-00Blower Housing, Right Side	1
36	22-62127-00Wire, Harness, EM-9, With Low Pressure Switch	1
31	79-62005-02	Blower Mounting Assembly, GSA, EM-9 - Includes:	1
32	AC021-187Panel, Blower Mounting	1
37	54-00588-00Fan & Motor Assembly, Evaporator (GSA) Includes:	2
37.1	22-02338-04Holder, Fuse, 25 Amp	1
37.2	22-02336-05Fuse, 25 Amp	1
34	AC021-182Blower Housing , Left	1
35	68-62237-00Blower Housing, Right Side	1
36	22-62127-00Wire, Harness, EM-9, GSA	1
38	34-00361-11	Nut , Lock, 1/4-20 ESNA	8
39	34-50057-00	Screw, Phillips W/Ext. Tooth Lock Washer, #10-32 X 1/2 Inch Long	6
40	34-50040-00	Bolt, Hex Head W/Split Lock Washer, 1/4-20 X 5/8	8
41	AC201-412	Switch, Low Pressure	1
42	22-62226-00	Wire Harness, Evaporator, EM-9	1

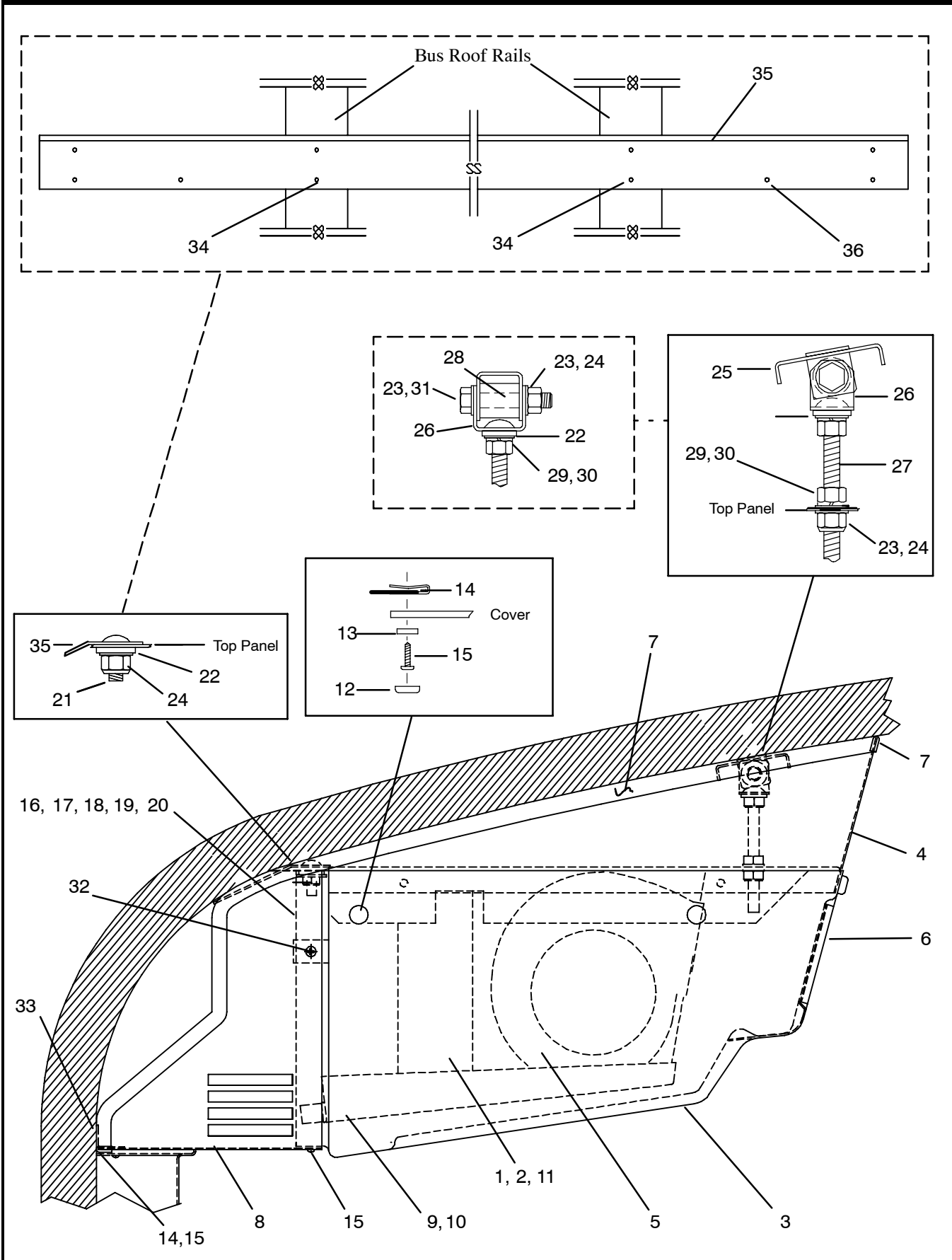
SECTION 1.7 EM-14 EVAPORATORS

1.7.1 EVAPORATOR, EM-14, GEN 4 SERIES, FREE BLOW



1.7.1 EVAPORATOR, EM-14, GEN 4 SERIES, FREE BLOW - Continued:			
Item	Part Number	Description	Qty
1	08-62064-00	Coil Assembly, With Low Pressure Switch Connection	1
	08-62063-00	Coil Assembly, With Heat, With Low Pressure Switch Connection	1
2	79-62070-00	Cover Assembly, White	1
	79-62070-01	Cover Assembly, Gray	1
	N/A	Cover Assembly, Beige (AC022-350-S)	1
3	68-62579-01	Trim Strip, White/Gray	1
	68-62574-00	Trim Strip, Beige	1
4	AC401-203	Blower Assembly, 12 VDC	2
	AC401-204	Blower Assembly, 24 VDC	2
5	AC401-320	Louver, Assembly, (14-3/8 Inch X 3-3/8 Inch)	2
6	AC801-412F25	Trim, Flexible, Black (25 Ft. Roll)	1
7	AC022-254	Grill, Return Air, Painted	1
8	AC022-739	Drain Pan, Assembly, (Foamed)	1
9	AC022-746	Baffle, Foam, EM-14 Drain Pan	1
10	AC801-403	Gasket, Foam, 1-1/4 Inch X 1-1/4 Inch X 25 Foot Roll	1
11	AC801-530	Cap, Snap, Beige	7
	AC801-531	Cap, Snap, White	7
	AC801-532	Cap, Snap, Gray	7
12	AC020-009	Channel, Mounting	2
13	AC201-501	Thermostat, Freeze-Up	1
14	14-00301-03	Valve, Thermal Expansion, R134a	1
15	AC801-202	O-Ring, 1/2 Inch	2
16	AC801-461	Filter, return Air, 28-1/2 X 5 Inches	1
17	22-62128-00	Harness, Unit, Em-14, GSA, (12/24 VDC)	1
	22-62223-00	Harness, Unit, Em-14, With Low Pressure Switch, (12/24 VDC)	1
18	AC701-123	Tinnerman Clip, Hi-Torque #10AB	7
19	AC201-412	Switch, Low Pressure	1
20	AC022-700	Bracket, TXV Support	1

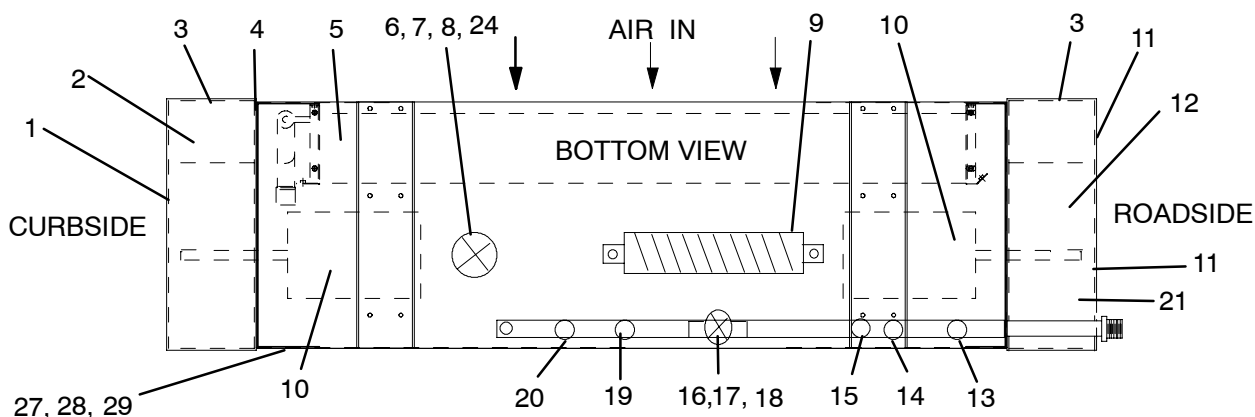
1.7.2 EVAPORATOR, EM-14, GEN 4, SIDE MOUNT



1.7.2 EVAPORATOR, EM-14, GEN 4, SIDE MOUN - Continued:			
Item	Part Number	Description	Qty
1	08-62064-00	Coil Assembly, With Low Pressure Switch Connection	1
	08-62063-00	Coil Assembly, With Heat, With Low Pressure Switch Connection	1
2	AC201-412	Switch, Low Pressure	1
3	79-62070-00	Cover Assembly, White	1
	79-62070-01	Cover Assembly, Gray	1
	AC022-350-S	Cover Assembly, Beige	1
4	AC022-294	Trim Strip, Beige	1
	AC022-294-1	Trim Strip, White	1
	AC022-294-2	Trim Strip, Gray	1
5	AC401-203	Blower Assembly, 12 VDC	2
	AC401-204	Blower Assembly, 24 VDC	2
6	AC401-320	Louver Assembly, (14-3/8 Inch X 3-3/8 Inch)	2
7	AC801-412F25	Trimlock, Flexible, Black (25 Ft. Roll)	1
8	AC022-296P	Grill, Air Inlet, Painted	1
9	AC022-739-S	Drain Pan, Assembly, (Foamed)	1
10	AC022-746	Baffle, Foam, EM-14 Drain Pan	1
11	AC801-403	Gasket, Foam, 1-1/4 Inch X 1-1/4 Inch X 25 Foot Roll	1
12	AC801-530	Cap, Snap, Beige	7
	AC801-531	Cap, Snap, White	7
	AC801-532	Cap, Snap, Gray	7
13	AC801-529	Washer, Snap Cap	7
14	AC701-123	Clip, Tinnerman, High Torque, 10 AB	11
15	34-62046-00	Screw, TF Pan Head, #10 X 5/8 Inch Long, AB, Black	41
16	AC201-501	Thermostat, Freeze-Up	1
17	14-00301-03	Valve, Thermal Expansion, R134a	1
18	AC801-202	O-Ring, 1/2 Inch	2
19	AC801-461	Filter, return Air, 28-1/2 X 5 Inches	1
20	22-62128-00	Harness, Unit, Em-14, GSA (12/24 VDC)	1
	22-62223-00	Harness, Evaporator, (12/24 VDC) With Low Pressure Switch	1
21	34-01310-00	Bolt, Carriage, Round Head, 3/8-16 X 1-1/4 Inch, Zinc plated	2
22	AC601-602	Spacer, Steel, 7/8 OD X 1/2 ID X 1/8 InchLong	4
23	34-00366-13	Washer, Flat, 3/8 Inch, Zinc Plated	8
24	34-00361-13	Nut, Hex, Lock, 3/8-16, Zinc Plated	6
25	AC021-226	Bracket, Weld Assembly, Front Hanger	1
26	AC021-223	Hanger Assembly, Front	2
27	34-01310-02	Bolt, Carriage, Round Head, 3/8-16 X 6 Inch, Zinc plated	2
28	AC601-616	Spacer, Steel, 7/8 OD X 1/2 ID X 1 Inch Long	2
29	34-00368-13	Washer, Split Lock, 3/8 Inch, Zinc Plated	6
30	34-00363-13	Nut, Hex, 3/8-16, Zinc Plated	4
31	17-40034-05	Bolt, Hex Head, 3/8-16 X 2 Inch, Zinc Plated, Grade 8	2
32	34-50060-00	Screw, Pan Head, Phillips, 1/4-20 X 1/2 Inch, AB, Black	2
33	AC020-179P	Angle, Rear, Screen Support, Painted Black	1
34	AC701-401	Rivet, Pop, 3/16 - Steel	20
35	AC022-308	Hanger Assembly, Rear	1
36	AC701-404	Rivet, Pop, 3/16 - Aluminum	60

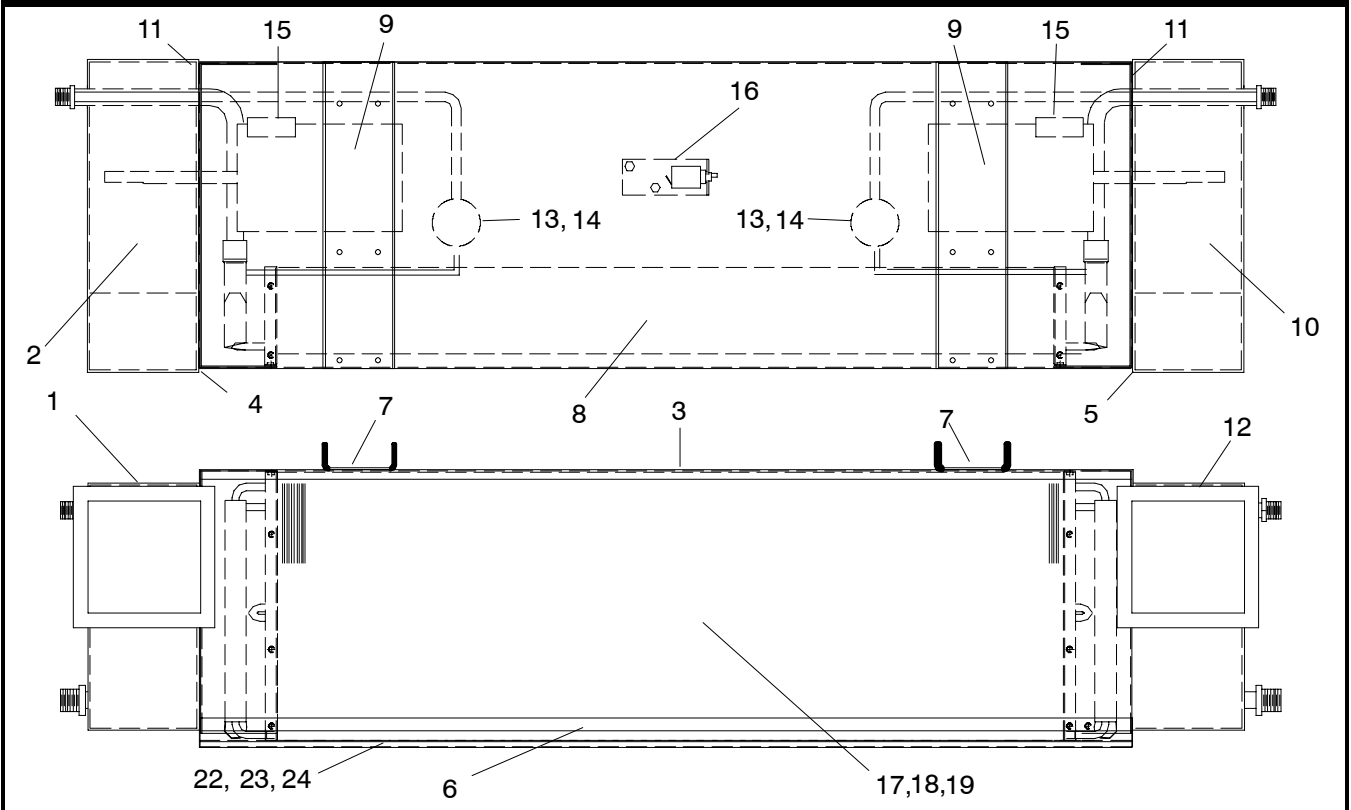
SECTION 1.8 EM-17 EVAPORATORS

1.8.1 EVAPORATOR, EM-17, SINGLE LOOP, GEN 4 SERIES



Item	Part Number	Description	Qty
1	AC021-356	Housing, Blower, Insulated, (Curbside)	1
2	AC401-215	Blower Wheel, (Curbside)	1
3	AC401-217	Venturi Ring	2
4	68-62037-00	Panel, Right, (Curbside)	1
5	08-62006-00	Coil Assembly, Evaporator, Cool Only	1
	08-62023-00	Coil Assembly, Evaporator, With Heat	1
6	66U1-1214-5	Flange, Body, (TXV)	1
7	AC021-348P	Bracket, Mounting, TXV	1
8	14-01104-39	Valve, Thermal Expansion, R134a	1
9	22-01584-00	Resistor, With Bracket, (420 Watts)	1
10	AC501-122	Motor, Evaporator, (Lesson) - Includes:	2
N/S	22-50091-00Brush, Motor	2
N/S	04-50023-00Bearing, Motor	2
11	AC021-396	Housing, Blower, Insulated, (Roadside)	1
12	AC401-220	Blower Wheel, (Roadside)	1
13	12-00299-02	Switch, Pressure, UPS3	1
14	12-00299-18	Switch, Pressure, CFS1	1
15	12-00299-09	Switch, Pressure, CFS2	1
16	AC101-422	Valve, Solenoid, 5/8 Inch, Less Coil	1
17	22-50030-00	Coil, Solenoid, 24 VDC	1
18	14-50047-00	Repair Kit For Solenoid Valve AC101-422	1
19	12-00334-03	Switch, Pressure, UPS1. (R134a)	1
20	12-00334-02	Switch, Pressure, UPS2, (R134a)	1
21	68-62036-00	Panel, End, Driver Side	1
22	68-62070-00	Grille, Return Air	1
23	AC801-443	Filter, Return Air (41.5" X 12.5")	1
24	AC021-344	Equalizer Tube, TXV	1
25	40-00491-15	Fitting, ORS, #10 X 2.11 X 5/8 Tube	1
26	40-00491-01	Fitting, ORS, #20 X 1.70 X 1-1/8 Tube	1
27	86-62016-00	Drain Pan Assembly (Painted)	1
28	AC022-314	Baffle, Drain Pan	1
29	42-62016-00	Insulation, Drain Pan	1

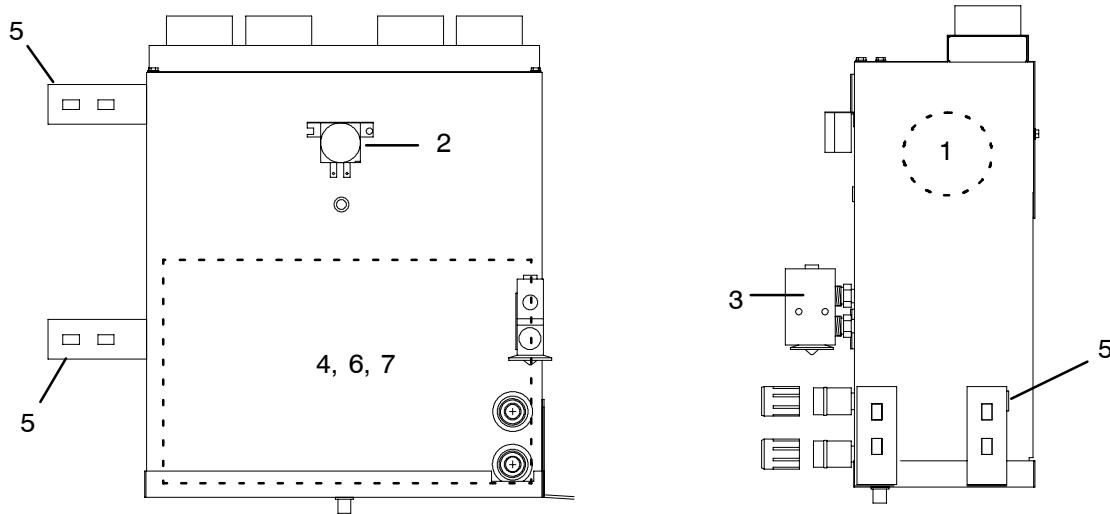
1.8.2 EVAPORATOR, EM-17, DUAL LOOP, GEN 4 SERIES



Item	Part Number	Description	Qty
1	AC021-396	Blower Housing, Right, (Curbside), Insulated	1
2	AC401-215	Blower Wheel, Right, (Curbside)	1
3	68-62049-00	Panel, Top, (Painted)	1
4	68-62497-00	Panel, Side, (Painted)	1
5	68-62498-00	Panel, Side, (Painted)	1
6	86-62016-00	Weldment, Drain Pan, (Painted)	1
7	68-62040-00	Bracket, Mounting, (Painted)	1
8	08-62012-00	Coil Assembly, Split	1
9	AC501-122	Motor, Evaporator, (Leeson) - Includes:	2
N/S	22-50091-00Brush, Motor	2
N/S	04-50023-00Bearing, Motor	2
10	AC401-220	Blower Wheel, (Drivers Side),	1
11	AC401-217	Venturi Ring	2
12	AC021-356	Blower Housing, Left, (Roadside), Insulated	1
13	66U1-1214-5	Flange Body, 1/2 ODF X 5/8 ODF, (TXV)	2
14	14-01104-37	Valve, Thermal Expansion, 2.5 Ton, No-MOP	2
15	12-00299-01	Switch, Pressure, Low	2
16	AC201-501	Thermostat, Freeze-Up, Dual Sensor	1
17	79-62019-00	Grill Assembly, Hinged	1
18	68-62411-00	Grill, Return Air	1
19	AC801-443	Filter, Return Air (41.5 X 12.5 Inches)	1
20	56-62123-00	Tube, Equalizer	1
21	56-62123-01	Tube, Equalizer	1
22	86-62016-00	Drain Pan Assembly (Painted)	1
23	AC022-314	Baffle, Drain Pan	1
24	42-62016-00	Insulation, Drain Pan	1

SECTION 1.9 EM-23 EVAPORATORS

1.9.1 EVAPORATOR KIT, EM-23, HEAT/COOL (77-62725-00)

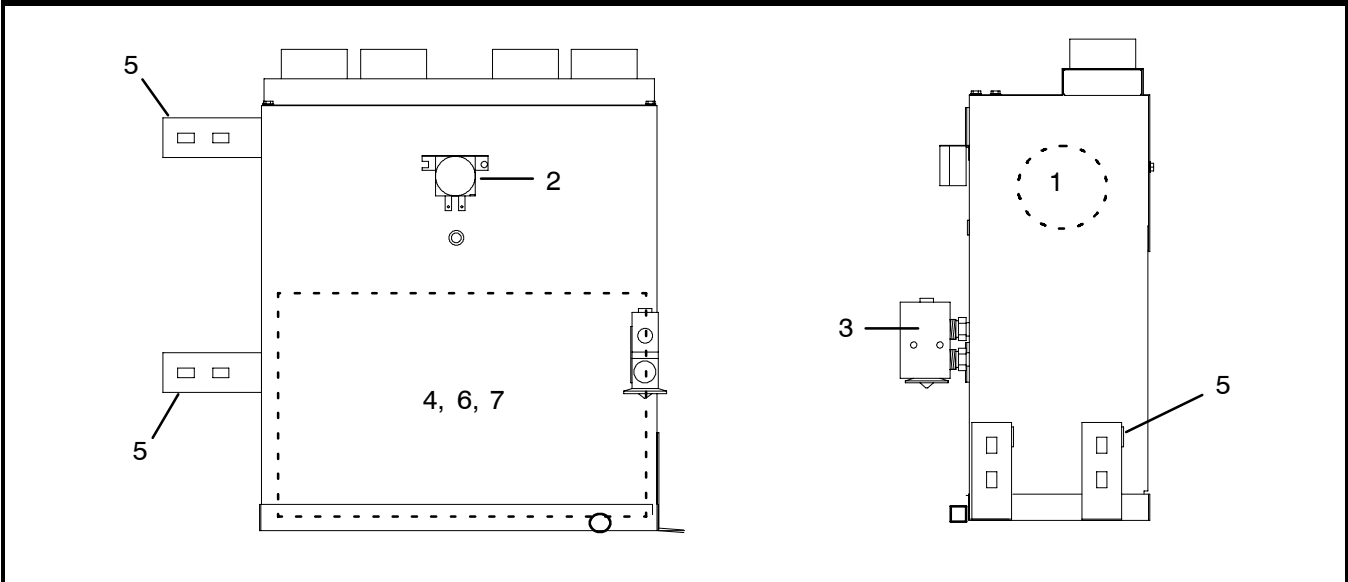


Item	Part Number	Description	Qty
1	54-50107-00	Blower & Motor Assembly, 12 VDC	1
2	12-50139-00	Switch, Freeze Thermostat	1
3	14-00301-03	Valve, Expansion, TXV, Block Type	1
4	08-50017-00	Coil Assembly, Cool/Heat, Evaporator	1
5	68-63659-00	Bracket, Mounting, EM-23	4
N/S	58-50119-00	Hose Assembly, Discharge, 10MM x 6.58	1
N/S	58-50120-00	Hose Assembly, Liquid Refrigerant, 8MM x 7.17	1
N/S	14-50098-00	Drier, Switch Port-Receiver	1
N/S	68-63660-00	Bracket, Mounting, Drier	1
N/S	12-50140-00	Switch, Hi/Low Pressure	1
N/S	58-50121-00	Hose Assembly, Liquid Refrigerant, 8MM x 3.00	1
N/S	58-50122-00	Hose Assembly, Suction, 5/16 x 25.25	1
6	68-50086-00	Grill, Filter Retaining, Evaporator	1
7	38-50032-00	Filter, Evaporator, (.44 Thick x 12.00 x 12.00 Inches)	1
N/S	77-62725-04	Control Head, IC, EM-23 Heat/Cool - Includes:	1
N/S	68-50087-00Plate, Switch/Louver	1
N/S	10-50067-00Switch, AC, Heat & Vent, 3 Position	1
N/S	10-50068-00Switch, Blower Speed Control, 4 Position	1
N/S	10-50069-00Relay, High Speed & Power	2
N/S	58-50118-00Knob, Hard, W/Set Screw	2
N/S	22-50341-00Harness, EM-23, Blower, Heater - A/C	1
N/S	77-62725-03	Kit, Parts, Installation - Includes:	1
N/S	AC801-412F25Gasket, Trimlock, Black (25 Ft. Roll)	1
N/S	42-00032-00Tape, Insulation, Presstite, 2.00 Inch X 30 Feet Long	1
N/S	58-00716-12Hose, Drain, Silicone, 1/2 Inch I.D. x 7.00 Inches Long	1
N/S	AC301-240Kazoo, Condensate Valve, 5/8 O.D.	1
N/S	44-00045-06Clamp, Worm, Drain Hose, 7/8	1
N/S	22-50342-00Coil, Solenoid Valve, 12 VDC	1
N/S	14-50097-00Valve, Solenoid, Water, 1/2 Inch NPT	1
N/S	AC201-105Breaker, Circuit, 20 Amp (Manual Reset)	2

1.9.1 EVAPORATOR KIT, EM-23, HEAT/COOL (77-62725-00) - Continued:

N/S	77-62725-02	Kit, Duct, IC - Includes:	1
N/S	58-50115-00Hose, 2-1/2 Inch Duct x 25 Feet Long	1
N/S	58-50116-00Louver, Rectangular	3
N/S	58-50117-00Louver Assembly, Vane, With 2-1/2 Inch Adapter	1

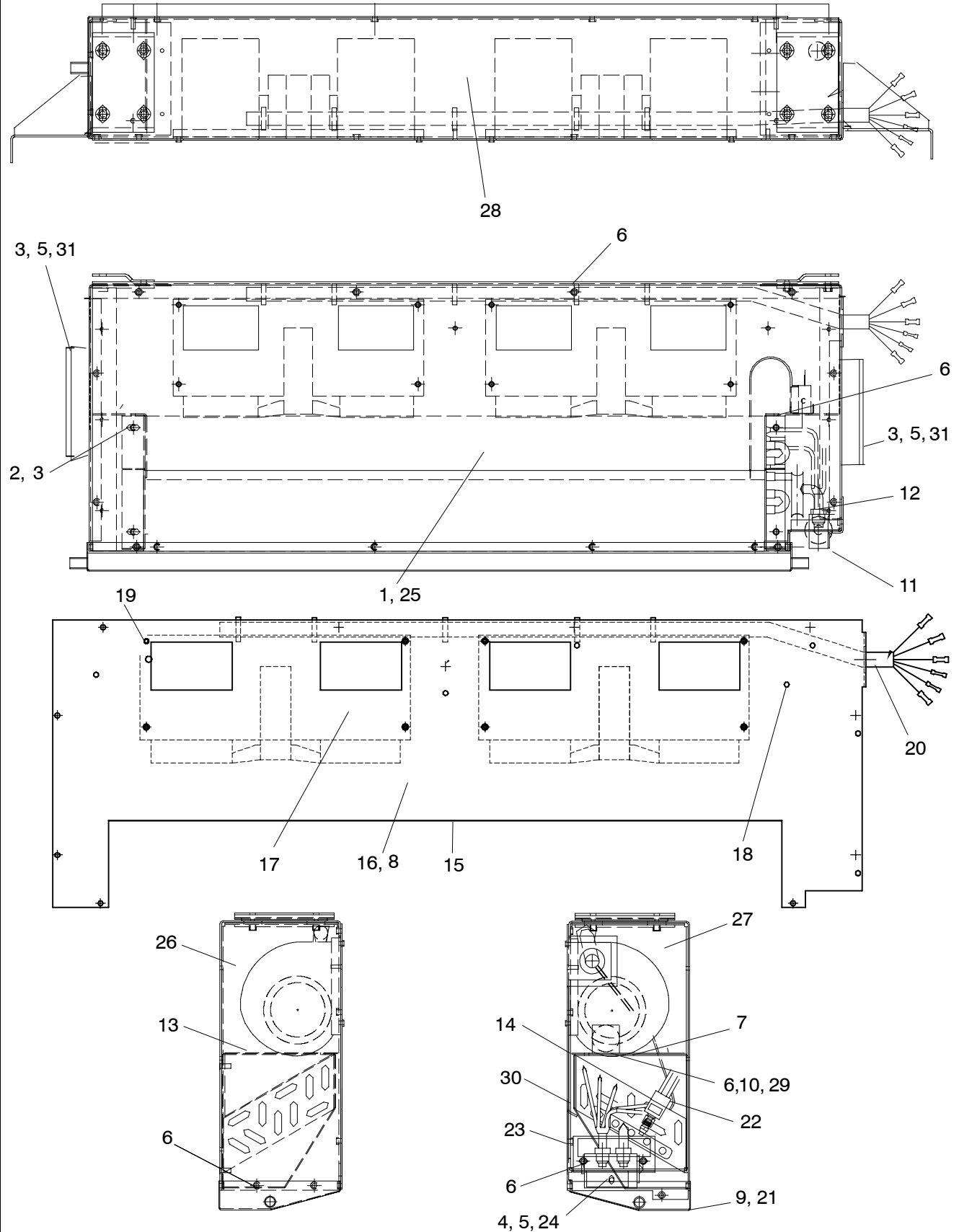
1.9.2 EVAPORATOR KIT, EM-23 - COOL ONLY (77-62204-00)



Item	Part Number	Description	Qty
1	54-50107-00	Blower & Motor Assembly, 12 VDC	1
2	12-50139-00	Switch, Freeze Thermostat	1
3	14-00301-03	Valve, Expansion, TXV, Block Type	1
4	08-50021-00	Coil Assembly, Cool Only, Evaporator	1
5	68-63659-00	Bracket, Mounting, EM-23	4
N/S	58-50119-00	Hose Assembly, Discharge, 10MM x 6.58	1
N/S	58-50120-00	Hose Assembly, Liquid Refrigerant, 8MM x 7.17	1
N/S	14-50098-00	Drier, Switch Port-Receiver	1
N/S	68-63660-00	Bracket, Mounting, Drier	1
N/S	12-50140-00	Switch, Hi/Low Pressure	1
N/S	58-50121-00	Hose Assembly, Liquid Refrigerant, 8MM x 3.00	1
N/S	58-50122-00	Hose Assembly, Suction, 5/16 x 25.25	1
6	68-50086-00	Grill, Filter Retaining, Evaporator	1
7	38-50032-00	Filter, Evaporator, (.44 Thick x 12.00 x 12.00 Inches)	1
N/S	77-62204-03	Kit, Parts, Installation - Includes:	1
N/S	AC801-412F25Gasket, Trimlock, Black (25 Ft. Roll)	1
N/S	42-00032-00Tape, Insulation, Presstite, 2.00 Inch X 30 Feet Long	1
N/S	58-00716-12Hose, Drain, Silicone, 1/2 Inch I.D. x 7.00 Inches Long	1
N/S	AC301-240Kazoo, Condensate Valve, 5/8 O.D.	1
N/S	44-00045-06Clamp, Worm, Drain Hose, 7/8	1
N/S	AC201-105Breaker, Circuit, 20 Amp (Manual Reset)	2
N/S	77-62204-02	Kit, Duct, IC - Includes:	1
N/S	58-50115-00Hose, 2-1/2 Inch Duct x 25 Feet Long	1
N/S	58-50117-00Louver Assembly, Vane, With 2-1/2 Inch adapter	4

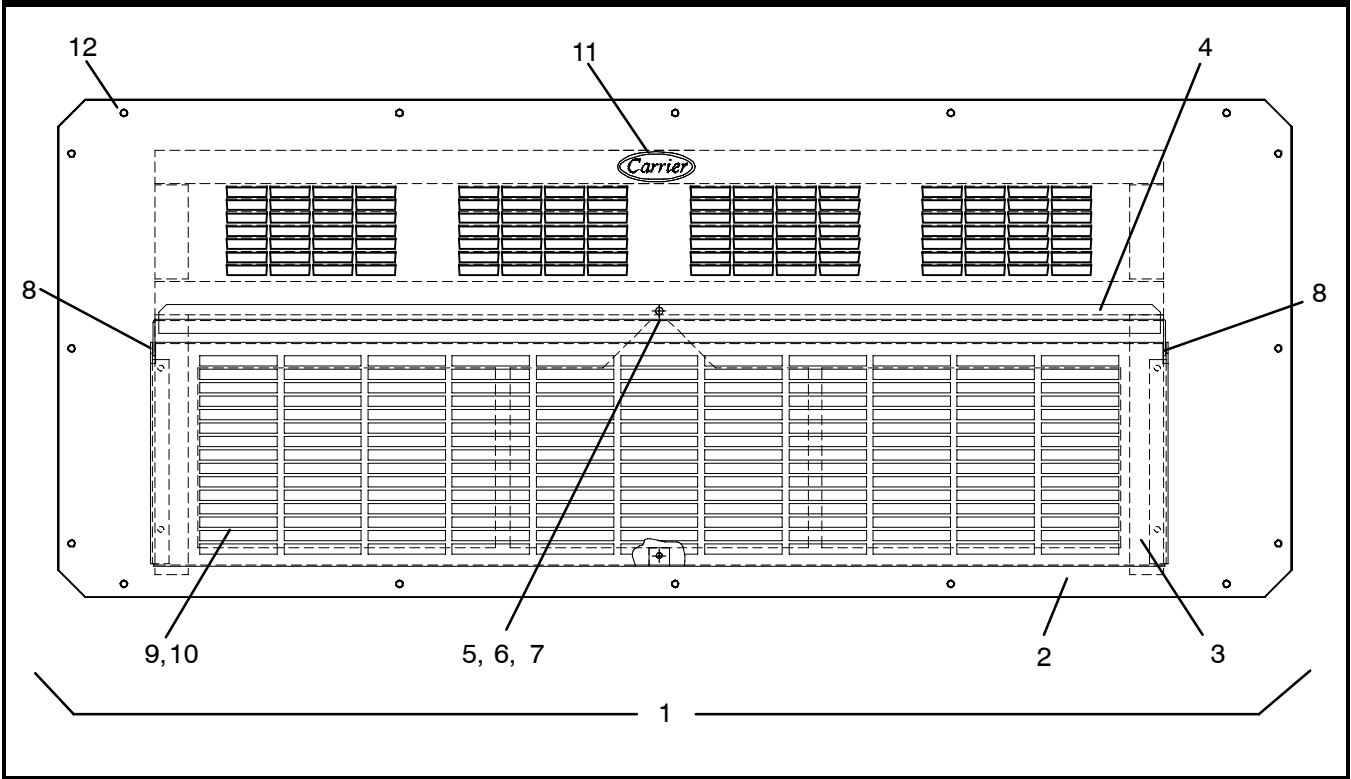
SECTION 1.10 IW-1 IN-WALL EVAPORATORS

1.10.1 EVAPORATOR, IW-1, (77-62081-11)



1.10.1 EVAPORATOR, IW-1, (77-62081-11) - Continued:			
Item	Part Number	Description	Qty
1	08-62031-00	Coil Assembly, EM-1, GEN V	1
2	AC701-101	Clip, Tinnerman, 1/4-20	4
3	34-62011-00	Screw, Hex Head, With Lock & Flat Washer, 1/4-20 X 1 Inch, SST	8
4	34-00667-61	Nut, Hex, Self-Locking, 1/4-20 SST	1
5	34-00662-11	Washer, Flat, 1/4 Inch, SST	10
6	34-00917-08	Screw, Hex Head, Captive Washer, 10-32 X 1/2 Inch Long	23
7	AC801-300	Bushing, Universal, 1 Inch	1
8	AC801-416	Gasket, Foam, 1/8 X 12-3/4 Inch, (300 Foot Roll)	1
9	AC022-746-1	Gasket, Drain Pan, .50 Thick X 5.50 33.25	1
10	12-00547-00	Thermostat, Freeze-Up, Non Adjustable	1
11	14-00301-03	Thermal Expansion Block Valve, (R134a)	1
12	AC801-202	O-Ring, 1/2 Inch HNBR (Package of 10)	1
13	68-62892-00	Baffle, Coil, Left	1
14	68-62893-00	Baffle, Coil, Right	1
15	79-62058-00	Panel Assembly, Evaporator, Includes:	1
16	68-62899-00 Panel, Evaporator, EM-1	1
17	AC040-074 Blower Assembly, 12 VDC	2
18	34-00733-00 Nut, Hex , W/Lockwasher, Keps, 10/32, Zinc Plated	2
19	34-50043-00 Screw, Phillips, W/Int. Tooth Lock Washer, #8-32 X 5/16 Lg.	8
20	AC022-744 Harness, Evaporator, EM-14, GEN 4, (12/24 VDC)	1
21	86-62243-00	Drain Pan Assembly	1
22	AC201-412	Switch, Pressure, Low	1
23	68-63025-00	Bracket, TXV	1
24	34-00655-12	Screw, Cap, Hex Head, 1/4-20 X 1-1/2 Inch SST	1
25	AC022-743-5	Gasket, Coil, 3 X 34.18 X .1 Inch	2
26	68-62896-00	Side, Left	1
27	68-62897-00	Side, Right	1
28	68-62898-00	Wrapper	1
29	22-62143-00	Wire Assembly	1
30	AC801-414	Gasket, 3/8 X 1 Inch, (25 Foot Roll)	1
31	68-63217-00	Bracket, Mounting	2

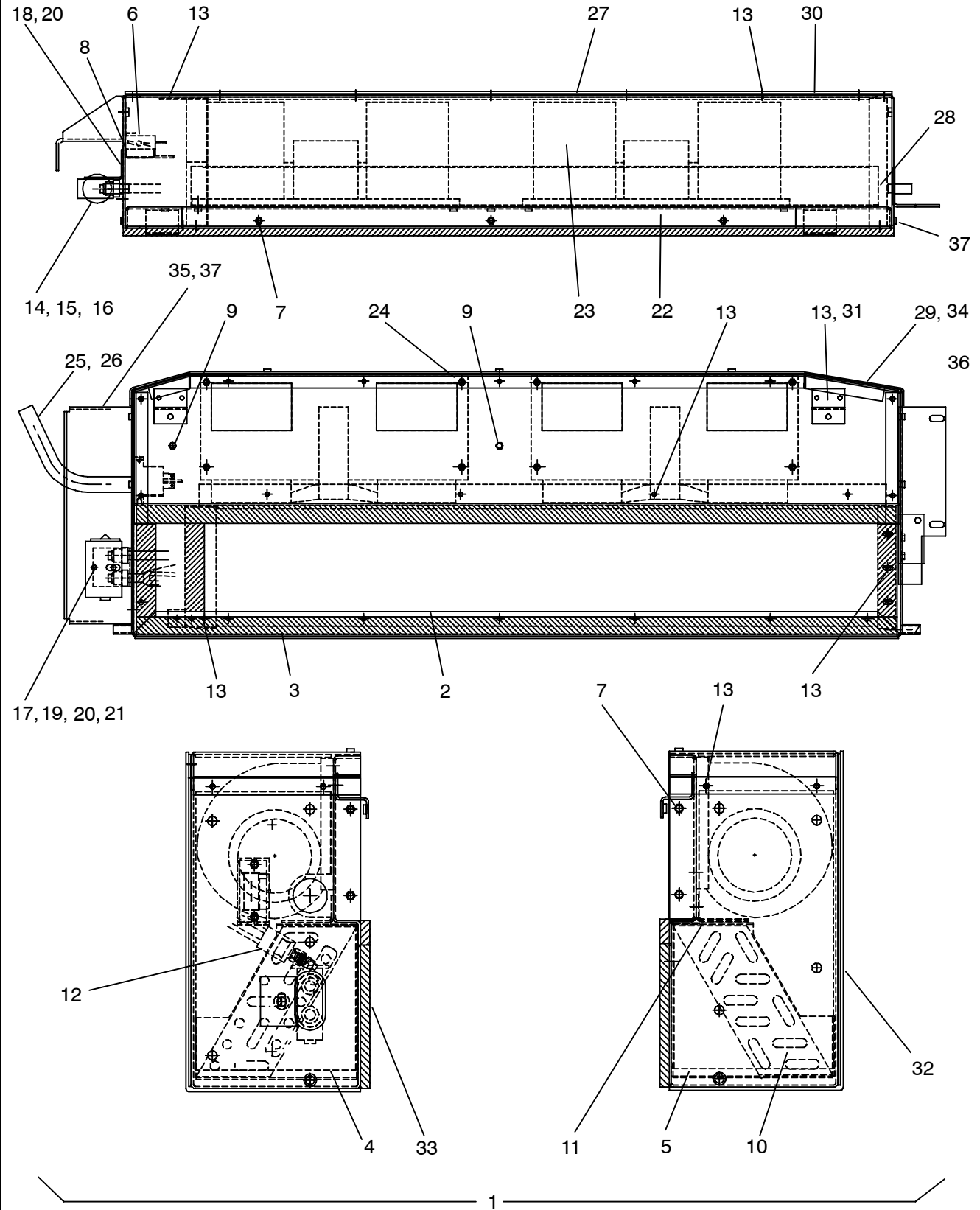
1.10.1 EVAPORATOR, IW-1 - GRILL ASSEMBLY (79-62056-00)



1.10.1 EVAPORATOR, IW-1 - GRILL ASSEMBLY (79-62056-00) - Continued:

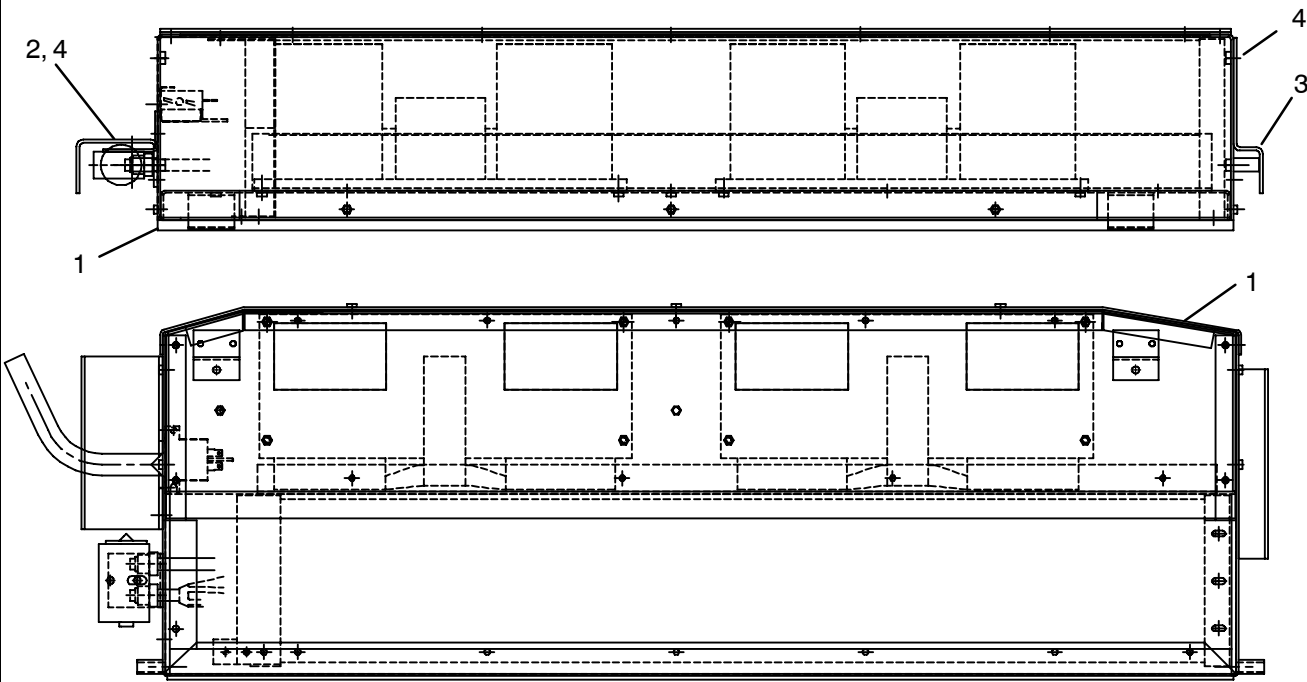
Item	Part Number	Description	Qty
1	79-62056-00	Grill Assembly IW-1, Includes:	1
2	68-62093-00Grill, EM-1 , (Painted	1
3	68-62735-00Grill, Evaporator, EM-1, Gen V, (Painted)	1
4	68-62736-00Channel, Filter, EM-1, Gen V, (Painted)	1
5	34-62019-00Receptacle, 1/4 Turn	1
6	34-62020-00Stud, 1/4 Turn, .25 Grip Range	1
7	34-06169-01Washer, Retaining, .215 I. D.	1
8	AC701-403Rivet, Pop, 1/8 AD43-H	2
9	38-00573-01Filter, Air, 36.50 X 9.00 X .12, EM-1	1
10	AC801-403Gasket, Foam, 1-1/4 X 1-1/4, (25 Foot Roll)	1
11	AC022-289Label, Carrier Emblem	1
12	34-50042-00	Screw, Pan Head, Phillips, #10 X 1 Inch, TEK	16

1.10.2 EVAPORATOR, IW-1, (77-62160-00)



1.10.2 EVAPORATOR, IW-1, (77-62160-00) - Continued:			
Item	Part Number	Description	Qty
-	77-62162-00	Evaporator Assembly, IW-1, With Mounting Brackets - Includes:	1
1	77-62161-02	...Evaporator Assembly, IW-1 - Includes:	1
2	68-63411-00Drain Pan Assembly	1
3	AC022-313-1Baffle, Drain Pan	1
4	42-62111-01Insulation, Side	1
5	42-62111-02Insulation, Side	1
6	12-00547-00Thermostat, Freeze-Up, Non Adjustable	1
7	34-00917-08Screw, Hex Head, W/Captive Washer, #10-32 X 1/2 Inch Lg, Zinc	7
8	34-00733-00Nut, Hex , KEPS, #10/32, Zinc	2
9	34-62050-04Screw, Pan Head, W/Lockwasher, #10-32 X 1/2 Inch Lg, Zinc	2
10	08-62056-00Coil Assembly, Evaporator, EM-1	1
11	AC022-743-5Gasket, Coil, .125 Inch Thick X 3 X 34.18	1
12	AC201-412Switch, Pressure, Low	1
13	AC701-401Rivet, Pop, 3/16, Steel	34
14	AC801-202O-Ring, 1/2 Inch HNBR	2
15	14-00301-03Valve, Thermal Expansion, (R134a)	1
16	42-00032-01Tape, Insulation, Presstite, 2.00 X 48.00 Inches Long	1
17	68-63410-00Bracket, TXV	1
18	34-62011-00Screw, Hex Head, With Lock & Flat Washer, 1/4-20 X 1 Inch, SST	1
19	34-00655-12Screw, Cap, Hex Head, 1/4-20 X 1-1/2 Inch SST	1
20	34-00662-11Washer, Flat, 1/4 Inch, SST	2
21	34-00667-61Nut, Hex, Self-Locking, 1/4-20 SST	1
22	68-63412-00Panel Assembly	1
23	AC040-074Fan & Motor Assembly, 12 VDC	2
24	34-62051-05Screw, Pan Head, With Lock Washer, #8-32 X 0.31 Inches Long	8
25	AC022-744Harness, Evaporator, EM-14, (12/24 VDC) - Includes:	1
26	22-62002-00Connector, Molded Plug, With 60.00 Inch Leads	2
27	58-00079-02Sta-Strap, Cable Clamp, 0 - 1.75 Inch Diameter, Black	2
28	68-63413-00Channel	1
29	68-63414-00Panel Assembly	1
30	68-63415-01Panel, Back	1
31	68-63436-00Bracket	2
32	42-01229-02Insulation, Foam, Bottom/Back Panel	10
33	AC801-414Gasket, Foam, 3/8 X 1 Inch, (25 Foot Roll)	1
34	42-01229-01Insulation, Foam, Top Panel	1
35	68-63416-00Bracket, Evaporator Mounting	1
36	68-63417-00Bracket, Evaporator Mounting	1
37	34-62011-00Screw, Hex Head, Sems, 1/4-20 x 1.00 Inch Long, SST	4
N/S	22-62109-00	Wire Assembly, Ground (144.0 Inches Long)	1

1.10.3 EVAPORATOR, IW-1 (77-62160-01)



Item	Part Number	Description	Qty
-	77-62162-01	..Evaporator Assembly, IW-1, With Mounting Brackets - Includes:	1
1	77-62161-02	...Evaporator Assembly, IW-1 - Includes: (See Parts List Section 1.10.2)	1
2	68-63440-00Bracket, Hanger, Evaporator Mounting	1
3	68-63441-00Bracket, Hanger, Evaporator Mounting	1
4	34-62011-00Screw, Hex Head, SEMS, 1/4-20 X 1.00 Inch Long, SST	4

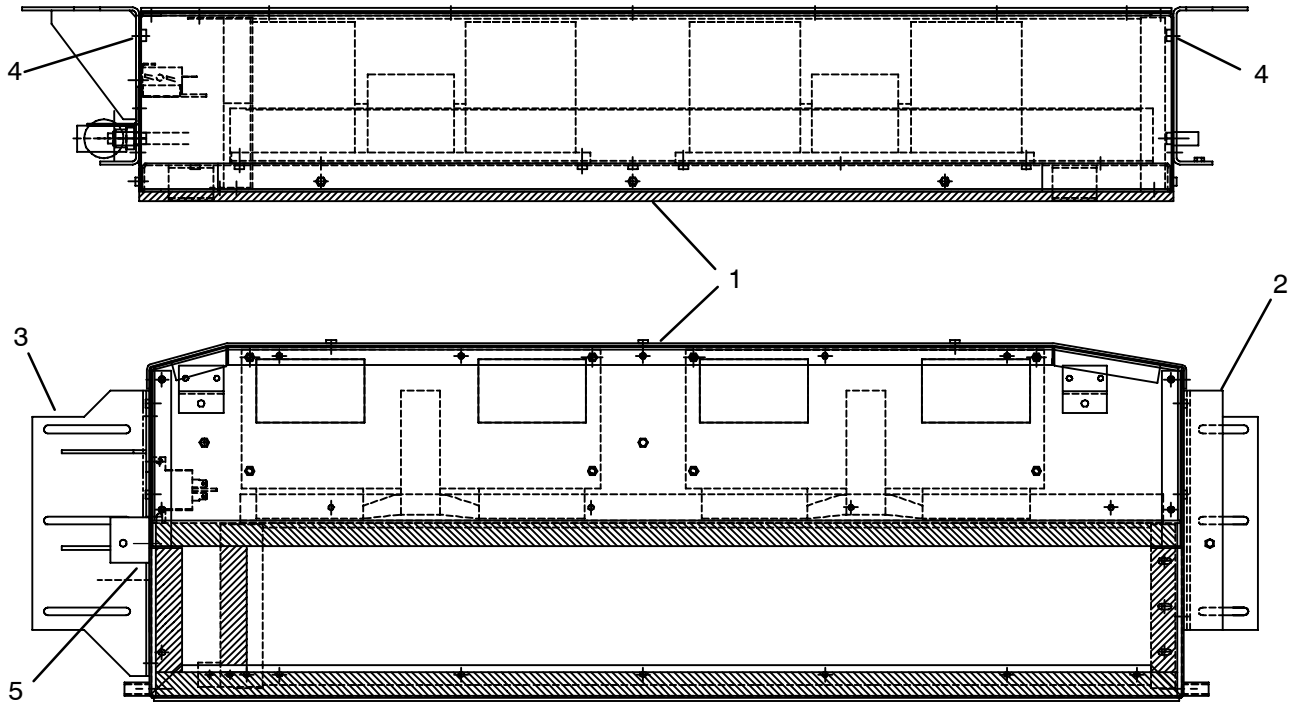
1.10.4 EVAPORATOR, IW-1 (77-62160-02)

Item	Part Number	Description	Qty
1	77-62161-02	Evaporator Assembly, IW-1 - Includes: (See Parts List Section 1.10.2)	1
N/S	58-62042-00Diffuser, Air, Fixed, Rectangular	2
N/S	AC022-289Decal, Carrier	1
N/S	AC022-313-1Baffle, Drain Pan	1

1.10.5 EVAPORATOR, IW-1 (77-62160-03)

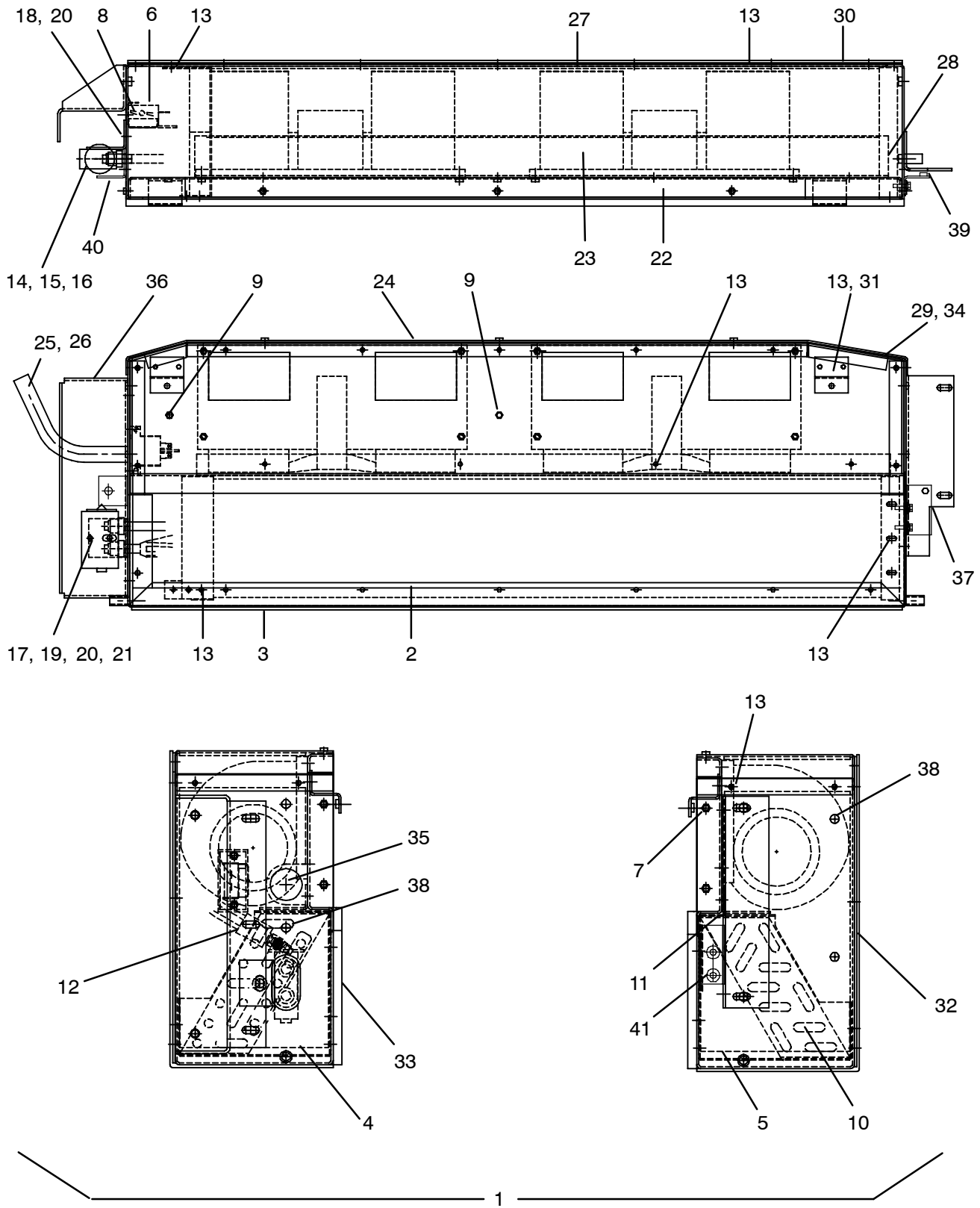
Item	Part Number	Description	Qty
-	77-62162-00	Evaporator Assembly, IW-1, With Mounting Brackets - Includes:	1
1	77-62161-02	...Evaporator Assembly, IW-1 - Includes: (See Parts List Section 1.10.2)	1
N/S	34-00917-08Screw, Hex Head, W/Captive Washer, 10/32 x .50 Inch Long, Zinc	2
N/S	68-63438-00Grille, Painted	1
N/S	58-62042-00Diffuser, Air, Louver, Rectangular	4
N/S	68-63437-00 Bracket	2
N/S	34-01099-02Rivet, Pop, 3/16, SST	4
N/S	34-62019-00Receptacle, , 1/4 Turn	1
N/S	34-62020-00Stud, 1/4 Turn, , .25 Grip Range	1
N/S	34-06169-01Washer, Retaining, .215 I.D.	1
N/S	38-00573-08Filter, Air, 34.00 x 6.40 x .25 , IW-1	1
N/S	AC022-289Decal, Carrier	1

1.10.6 EVAPORATOR, IW-1 (77-62160-04 & -06)



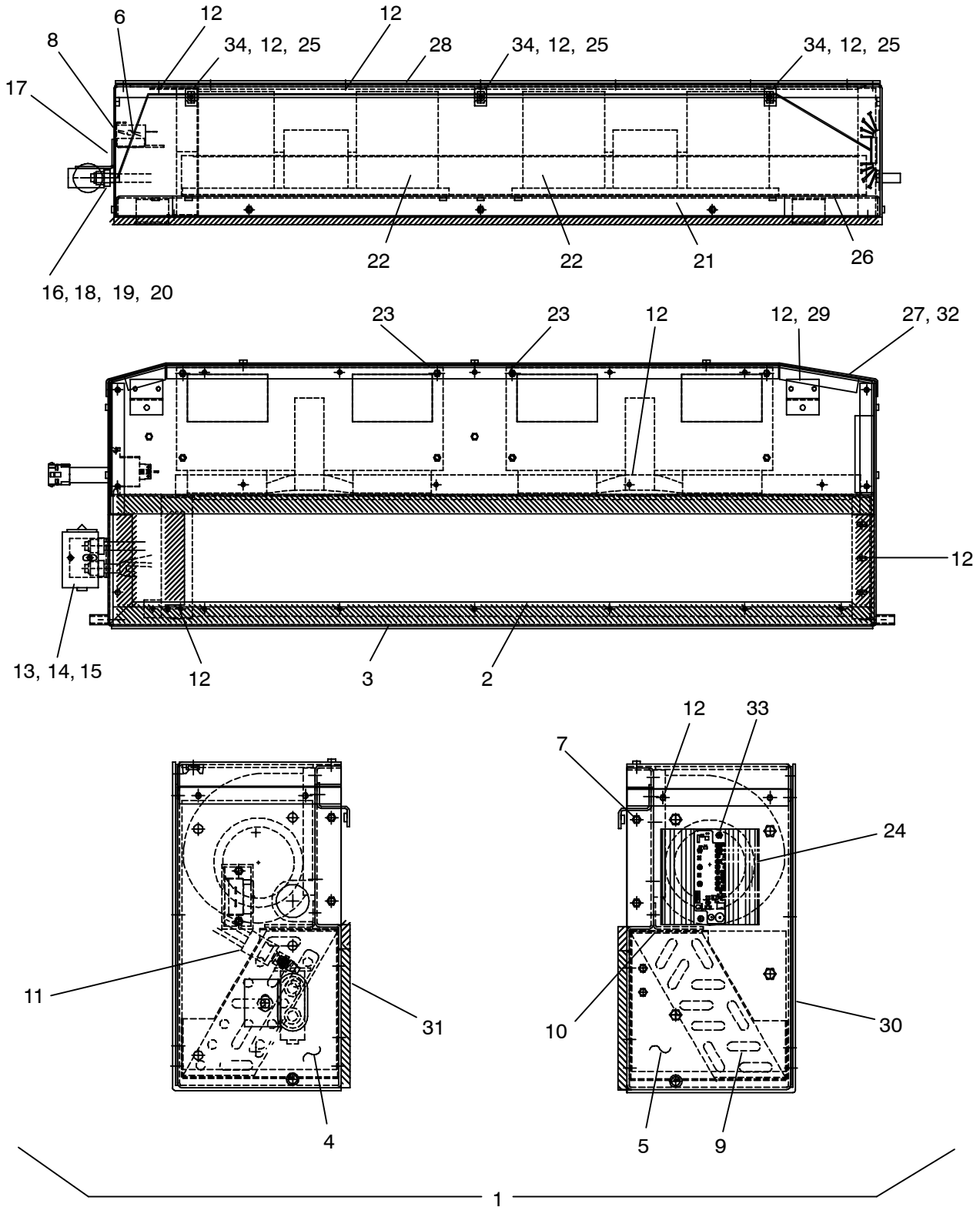
Item	Part Number	Description	Qty
-	77-62162-02	Evaporator Assembly, IW-1, With Mounting Brackets - Includes:	1
1	77-62161-02	...Evaporator Assembly, IW-1 - Includes: (See Parts List Section 1.10.2)	1
2	68-63577-00Bracket, Hanger, Evaporator Mounting	1
3	86-62437-00Bracket, Assembly, Evaporator Mounting	1
4	34-62011-00Screw, Hex Head, SEMS, 1/4-20 X 1.00 Inch Long, SST	8
5	34-00917-12Screw, Hex Head, W/Captive Washer, #10-32 X .75 Inch Long, Zinc	4
N/S	22-62109-00	Wire Assembly, Ground (144-00 Inches Long)	1

1.10.7 EVAPORATOR, IW-1 (77-62160-05, -07, -12 & -13)



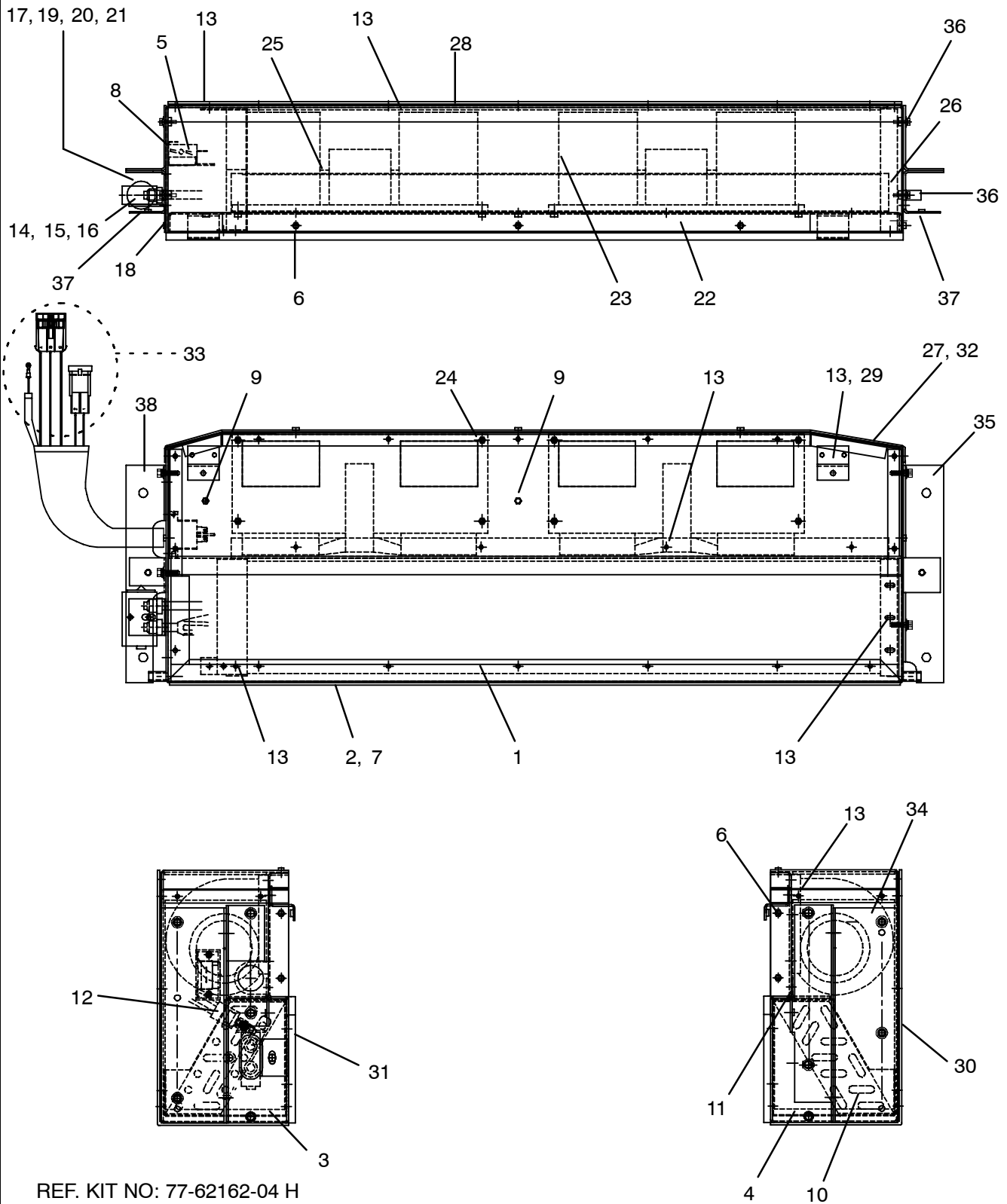
1.10.7 EVAPORATOR, IW-1 (77-62160-05, -07, -12 & -13) - Continued:			
Item	Part Number	Description	Qty
-	77-62162-03	Evaporator Assembly, IW-1, White, With Mounting Brackets - Includes:	1
-	77-62162-05	Evap. Assy., IW-1, White, BB - "CE", W/Mounting Brackets - Includes:	1
1	77-62161-02	...Evaporator Assembly, IW-1 - Includes:	1
2	86-62460-00Weld Assembly, Drain Pan	1
3	AC022-313-1Baffle, Drain Pan	1
4	42-62111-01Insulation, Side	1
5	42-62111-02Insulation, Side	1
6	12-00547-00Thermostat, Freeze-Up, Non Adjustable	1
7	34-00917-08Screw, Hex Head, W/Captive Washer, #10-32 X 1/2 Inch Lg, Zinc	7
8	34-00733-00Nut, Hex , KEPS, #10/32, Zinc	2
9	34-62050-04Screw, Pan Head, W/Lockwasher, #10-32 X 1/2 Inch Lg, Zinc	2
10	08-62056-00Coil Assembly, Evaporator, EM-1	1
11	AC022-743-5Gasket, Coil, .125 Inch Thick X 3 X 34.18	1
12	AC201-412Switch, Pressure, Low	1
13	AC701-401Rivet, Pop, 3/16, Steel	34
14	AC801-202O-Ring, 1/2 Inch HNBR	2
15	14-00301-03Valve, Thermal Expansion, (R134a)	1
16	42-00032-00Tape, Insulation, Presstite, 2.00 X 48.00 Inches Long	1
17	68-63410-00Bracket, TXV	1
18	34-62011-00Screw, Hex Head, With Lock & Flat Washer, 1/4-20 X 1 Inch, SST	1
19	34-00655-12Screw, Cap, Hex Head, 1/4-20 X 1-1/2 Inch SST	1
20	34-00662-11Washer, Flat, 1/4 Inch, SST	2
21	34-00667-61Nut, Hex, Self-Locking, 1/4-20 SST	1
22	68-63412-00Panel Assembly	1
23	AC040-074Fan & Motor Assembly, 12 VDC	2
24	34-62051-05Screw, Pan Head, With Lock Washer, #8-32 X 0.31 Inches Long	8
25	22-62240-00Harness, Evaporator, EM / IW, (12/24 VDC) - Includes:	1
26	22-62002-00Connector, Molded Plug, With 60.00 Inch Leads	2
27	58-00079-02Sta-Strap, Cable Clamp, 0 - 1.75 Inch Diameter, Black	2
28	68-63413-00Channel	1
29	68-63414-00Panel Assembly	1
30	68-63415-01Panel, Back	1
31	68-63436-00Bracket	2
32	42-01229-02Insulation, Foam, Bottom/Back Panel	1
33	AC801-414Gasket, Foam, 3/8 X 1 Inch, (25 Foot Roll)	1
34	42-01229-01Insulation, Foam, Top Panel	1
35	58-00661-07Bushing, 1.50 Diameter Hole	1
36	68-63416-00Bracket, Evaporator Mounting	1
37	68-63417-00Bracket, Evaporator Mounting	1
38	34-62011-00Screw, Hex Head, Sems, 1/4-20 x 1.00 Inch Long, SST	4
39	68-63645-00Bracket Assembly, Cover Support	1
40	68-63646-00Bracket Assembly, Cover Support	1
41	34-00917-12Screw, Hex Head, W/Captive Washer, #10-32 X .75 Inch Long, Zinc	2

1.10.8 EVAPORATOR, IW-1, VARIABLE SPEED - (77-62160-09)



1.10.8 EVAPORATOR, IW-1, VARIABLE SPEED - (77-62160-09) - Continued:			
Item	Part Number	Description	Qty
1	77-62161-01	Evaporator Assembly, IW-1, Variable Speed - Includes:	1
2	86-62460-00Drain Pan Assembly	1
3	AC022-313-1Baffle, Drain Pan	1
4	42-62111-01Insulation, Side	1
5	42-62111-03Insulation, Side	1
6	12-00547-00Thermostat, Freeze-Up, Non Adjustable	1
7	34-00917-08Screw, Hex Head, W/Captive Washer, #10-32 X 1/2 Inch Lg, Zinc	7
8	34-00733-00Nut, Hex , KEPS, #10/32, Zinc	2
9	08-62056-00Coil Assembly, Evaporator, EM-1	1
10	AC022-743-5Gasket, Coil, .125 Inch Thick X 3 X 34.18	1
11	AC201-412Switch, Pressure, Low	1
12	AC701-401Rivet, Pop, 3/16, Steel	37
13	AC801-202O-Ring, 1/2 Inch HNBR	2
14	14-00301-03Valve, Thermal Expansion, (R134a)	1
15	42-00032-00Tape, Insulation, Presstite, 2.00 X 48.00 Inches Long	1
16	68-63410-00Bracket, TXV	1
17	34-62011-00Screw, Hex Head, With Lock & Flat Washer, 1/4-20 X 1 Inch, SST	1
18	34-00655-12Screw, Cap, Hex Head, 1/4-20 X 1-1/2 Inch SST	1
19	34-00662-11Washer, Flat, 1/4 Inch, SST	1
20	34-00667-61Nut, Hex, Self-Locking, 1/4-20 SST	1
21	68-63412-00Panel Assembly	1
22	AC040-074Blower Assembly, 12 VDC	2
23	34-62051-05Screw, Pan Head, With Lock Washer, #8-32 X 0.31 Inches Long	8
24	22-62239-00Harness, Wiring, Variable Speed	1
25	58-00079-02Sta-Strap, Cable Clamp, 0 - 1.75 Inch Diameter, Black	5
26	68-63413-00Channel	1
27	68-63414-00Panel Assembly	1
28	68-63415-01Panel, Back	1
29	68-63436-00Bracket	2
30	42-01229-02Insulation, Foam, Bottom/Back Panel	1
31	AC801-414Gasket, Foam, 3/8 X 1 Inch, (25 Foot Roll)	1
32	42-01229-01Insulation, Foam, Top Panel	1
33	34-00733-05Nut, Hex, Keps, 8/32	2
34	AC701-303Wire Tie, Cable Mount, 15 Inches, White	3
N/S	22-62109-00	Wire Assembly, Ground, (144.00 Inches Long)	1

1.10.9 EVAPORATOR KIT, IW-1 (77-62160-10 & -11)

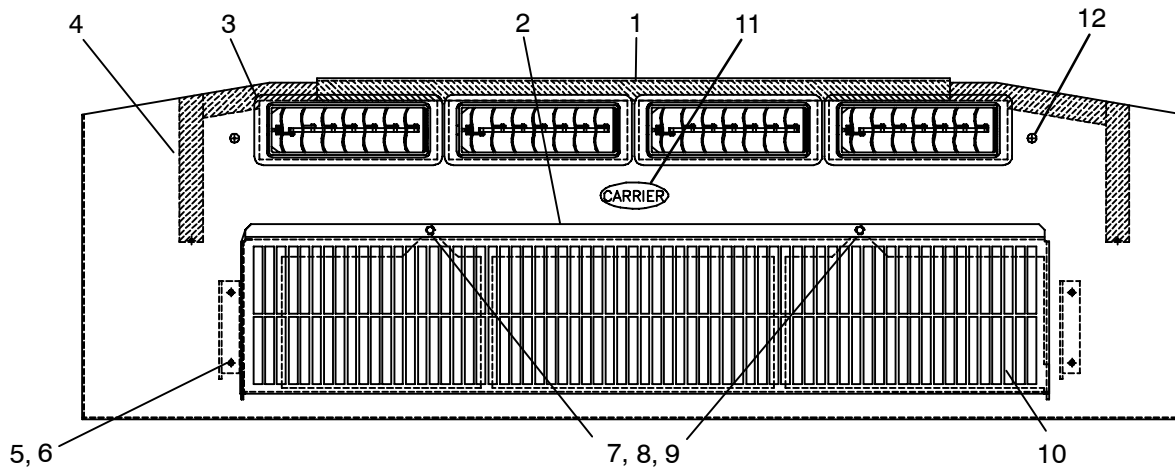


REF. KIT NO: 77-62162-04 H

Item	Part Number	Description	Qty
-	77-62162-04	Evaporator Assembly, IW-1, With Mounting Brackets - Includes:	1
-	77-62161-03	...Evaporator Assembly, IW-1 - Includes:	1
1	86-62460-00Drain Pan Assembly	1
2	AC022-313-1Baffle, Drain Pan	1

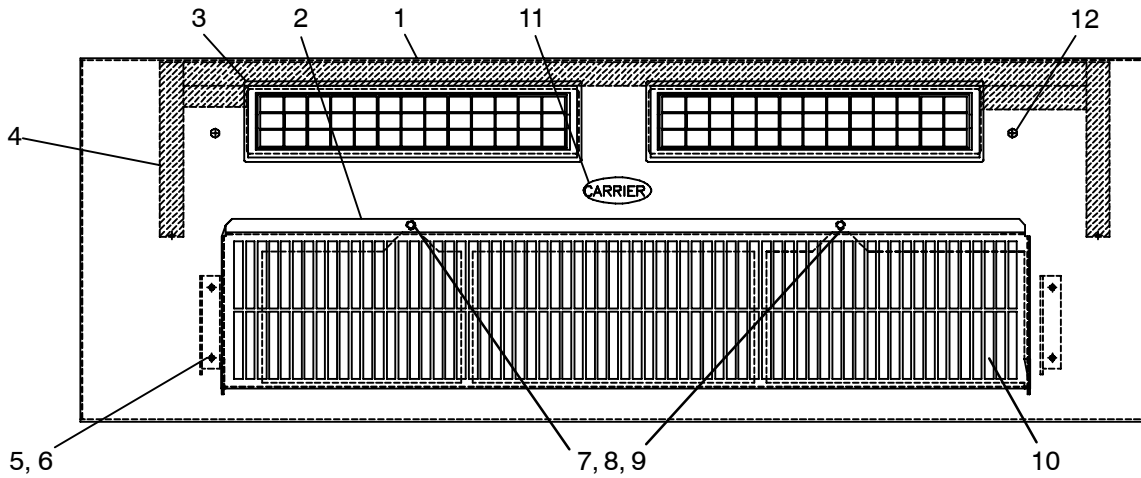
1.10.9 EVAPORATOR KIT, IW-1 (77-62160-10 & -11) - Continued:			
Item	Part Number	Description	Qty
3	42-62111-01Insulation, Side	1
4	42-62111-02Insulation, Side	1
5	12-00547-00Thermostat, Freeze-Up, Non Adjustable	1
6	34-00917-08Screw, Hex Head, W/Captive Washer, #10-32 X 1/2 Inch Lg, Zinc	7
7	02-62000-00Adhesive, Hot Melt, D/C Tape (3 LN FT.)	1
8	34-00733-00Nut, Hex , KEPS, #10/32, Zinc	2
9	34-62050-04Screw, Pan Head, With Lock Washer, #10-32 X 1/2 Inches Long	2
10	08-62056-00Coil Assembly, Evaporator, EM-1	1
11	AC022-743-5Gasket, Coil, .125 Inch Thick X 3.00 X 34.18	1
12	AC201-412Switch, Pressure, Low	1
13	AC701-401Rivet, Pop, 3/16, Steel	34
14	AC801-202O-Ring, 1/2 Inch HNBR	2
15	14-00301-03Valve, Thermal Expansion, (R134a)	1
16	42-00032-00Tape, Insulation, Presstite, 2.00 X 30.00 Feet Long	1
17	68-63410-00Bracket, TXV	1
18	34-62011-00Screw, Hex Head, With Lock & Flat Washer, 1/4-20 X 1 Inch, SST	1
19	34-00655-12Screw, Cap, Hex Head, 1/4-20 X 1-1/2 Inch SST	1
20	34-00662-11Washer, Flat, 1/4 Inch, SST	2
21	34-00667-61Nut, Hex, Self-Locking, 1/4-20 SST	1
22	68-63412-00Panel Assembly	1
23	AC401-202Blower Assembly, 12 VDC	2
24	34-62051-05Screw, Pan Head, With Lock Washer, #8-32 X 0.31 Inch Long, Zinc	8
25	66U1-3882Sta-Strap, Cable Clamp, 0 - 1.75 Inch Diameter, Black	2
26	68-63413-00Channel	1
27	68-63414-00Panel Assembly	1
28	68-63415-01Panel, Back	1
29	68-63436-00 Bracket	2
30	42-01229-02Insulation, Foam, Bottom/Back Panel	1
31	AC801-414Gasket, Foam, 3/8 X 1 Inch, (25 Foot Roll)	1
32	42-01229-01Insulation, Foam, Top Panel	1
33	22-62274-00Wire Harness, Evaporator, TBB C-2 - Includes:	1
33.1	22-50078-86Connector, Male, 3 Position, Black	1
33.2	22-50078-49ATerminal, Male (18 AWG)	2
33.3	22-50078-49CTerminal, Male (12 AWG)	1
33.4	22-50078-53CSeal, Cable, Red	2
33.5	22-50078-53DSeal, Cable, Blue	1
33.6	22-50078-86ALock, Secondary	1
33.7	22-50098-67Connector, Male, 2 Position, Black	1
33.8	22-50098-67BTerminal, Male (8 AWG)	1
33.9	22-50098-67ATerminal, Male (10-12 AWG)	1
33.10	22-50098-67CSeal, Cable, Green	1
33.11	22-50098-67DSeal, Cable, Orange	1
34	68-63756-00	...Bracket, Hanger, Evaporator Mounting	2
35	68-63757-00	...Bracket, Hanger, Evaporator Mounting	1
36	34-62011-00	...Screw, Hex Head, SEMS, 1/4-20 x 1.00 Inch Long, SST	8
37	34-00917-12	...Screw, Hex Head, Captive Washer, #10-32 x 3/4 In. Lg. (77-62162-03 Only)	4
38	68-63758-00	...Bracket, Hanger, Evaporator Mounting	1

1.10.10 GRILL ASSEMBLY, IW-1, LOUVER DIFFUSER - USE WITH 77-62160-00 & -09



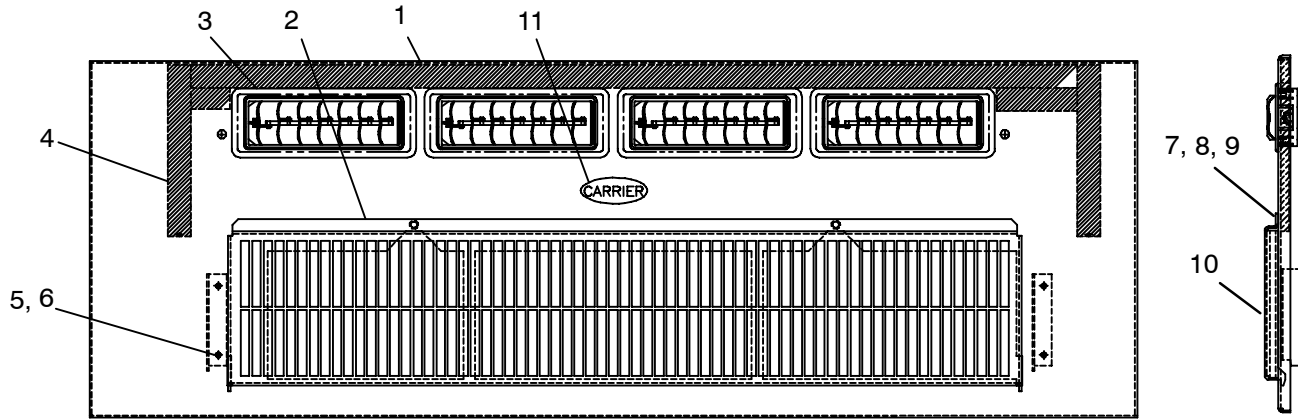
Item	Part Number	Description	Qty
-	79-62088-00	Grill Assembly, IW-1, Louver Diffuser, Includes:	1
1	68-63393-00Panel, Painted	1
2	68-63438-01Grill, Painted	1
3	58-62042-00Diffuser, Air, Louver, Rectangular (8.0 X 3.0 Inches)	4
4	AC801-414Gasket, Foam, 3/8 X 1.00 Inch (25 Foot Roll)	1
5	68-63437-00Bracket,	2
6	34-01099-02Pop Rivet, 3/16, SST	4
7	34-62019-00Receptacle, 1/4 Turn	2
8	34-62020-00Stud, 1/4 Turn, .25 Grip Range	2
9	34-06169-01Washer, Retaining, .215 I. D.	2
10	38-00573-08Filter, Air, 34.00 X 6.40 X .25, (IW-1)	1
11	AC022-289Decal, Carrier	1
12	34-00917-12	Screw, Hex Head, W/Captive Washer, #10-32 X .75 Inch Long, Zinc	2

1.10.11 GRILL ASSEMBLY, IW-1, FIXED DIFFUSER - USE WITH 77-62160-01



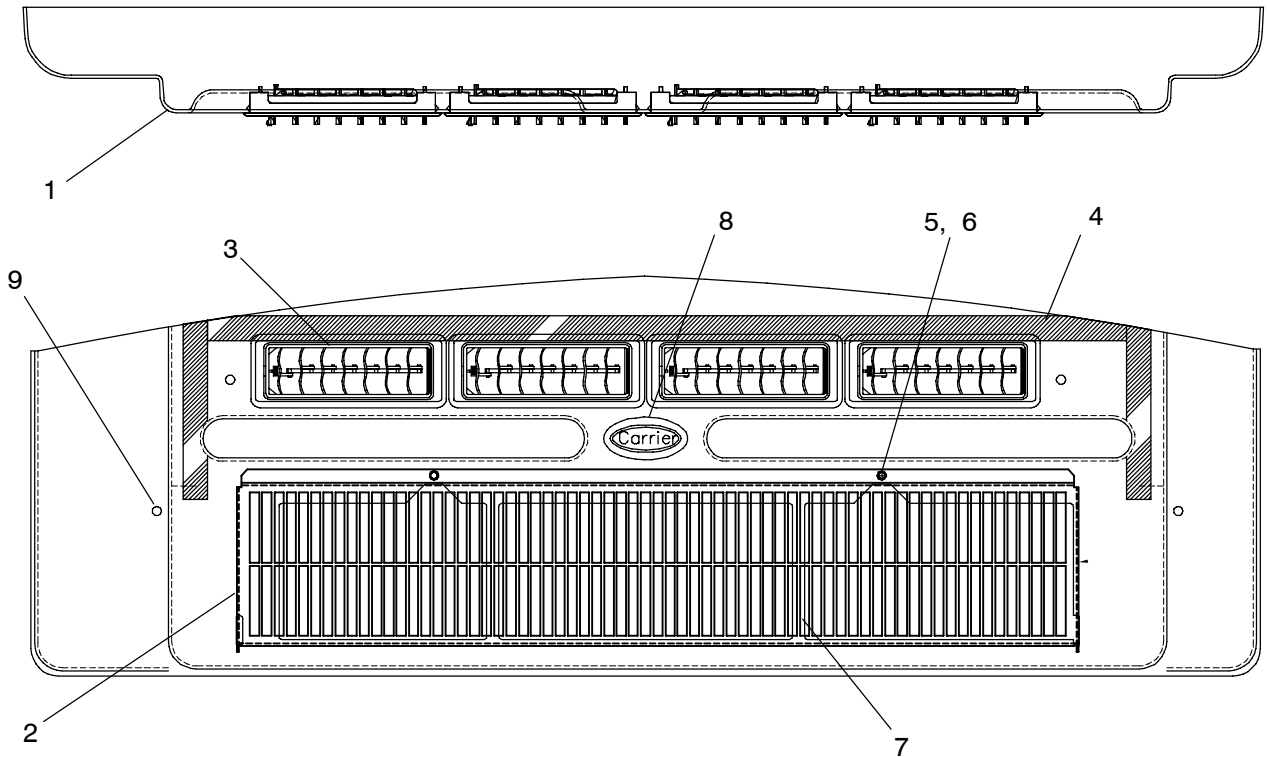
Item	Part Number	Description	Qty
	79-62088-01	Grill Assembly, Fixed Diffuser, IW-1, Includes:	1
1	68-63394-00Panel, Painted	1
2	68-63438-01Grill, Painted	1
3	AC401-320Diffuser, Air, Fixed, (Rectangular)	2
4	AC801-414Gasket, Foam, .38 X 1 Inch (25 Foot Roll)	1
5	68-63437-00 Bracket	2
6	34-01099-02Rivet, Pop, 3/16, SST	4
7	34-62019-00Receptacle, 1/4 Turn	2
8	34-62020-00Stud, 1/4 Turn, .25 Grip Range	2
9	34-06169-01Washer, Retaining, .215 I. D.	2
10	38-00573-08Filter, Air, 34.00 X 6.40 X .25 Inch	1
11	AC022-289Decal, Carrier	1
12	34-00917-08	Screw, Hex Head, W/Captive Washer, #10-32 X .50 Inch Long, Zinc	2

1.10.12 GRILL ASSEMBLY, IW-1, LOUVER DIFFUSER - USE WITH 77-62160-01



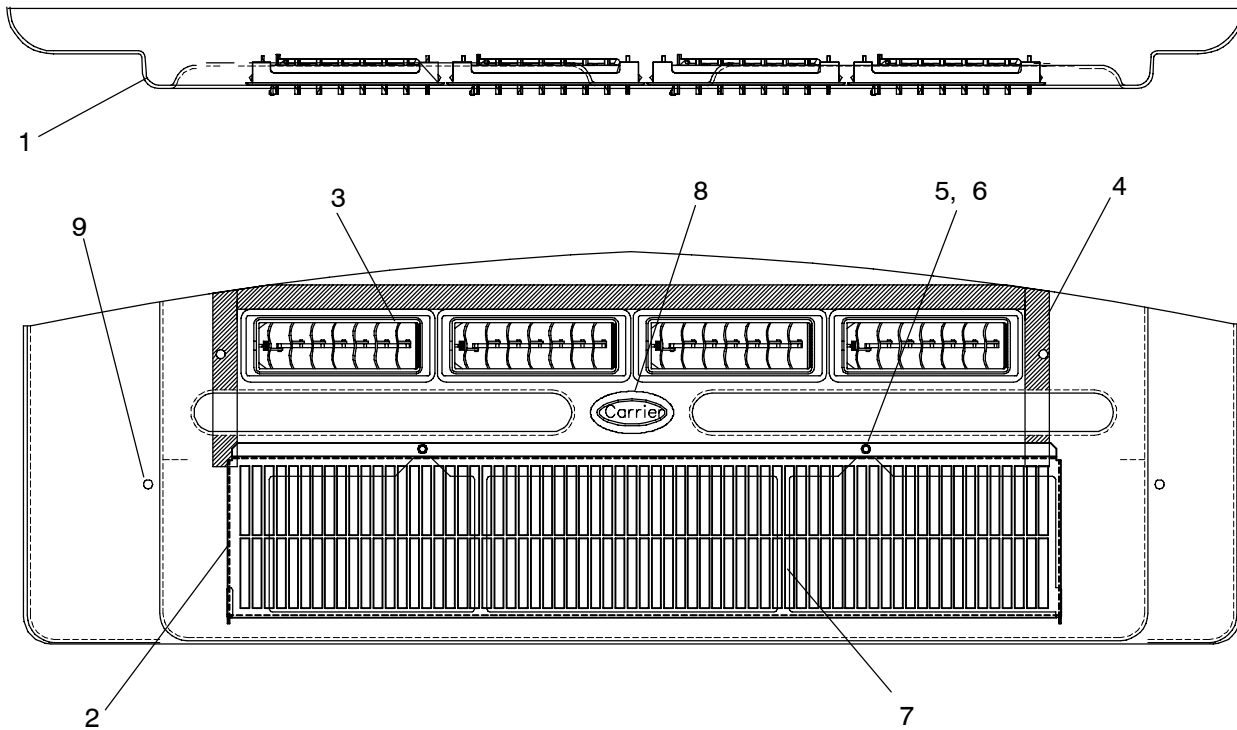
Item	Part Number	Description	Qty
-	79-62088-02	Grill Assemlly, IW-1 (Louver Diffuser) - Includes:	1
1	68-63704-00Panel, Painted	1
2	68-63438-01Grill, Painted	1
3	58-62042-00Diffuser, Air, Louver, Rectangular (8.0 X 3.0 Inches)	4
4	AC801-414Gasket, Foam, 3/8 X 1.00 Inch (25 Foot Roll)	1
5	68-63437-00Bracket,	2
6	34-01099-02Pop Rivet, 3/16, SST	4
7	34-62019-00Receptacle, 1/4 Turn	1
8	34-62020-00Stud, 1/4 Turn, .25 Grip Range	1
9	34-06169-01Washer, Retaining, .215 I. D.	1
10	38-00573-08Filter, Air, 34.00 X 6.40 X .25, (IW-1)	1
11	AC022-289Decal, Carrier	1

1.10.13 COVER ASSEMBLY, IW-1 - USE WITH 77-62160-04



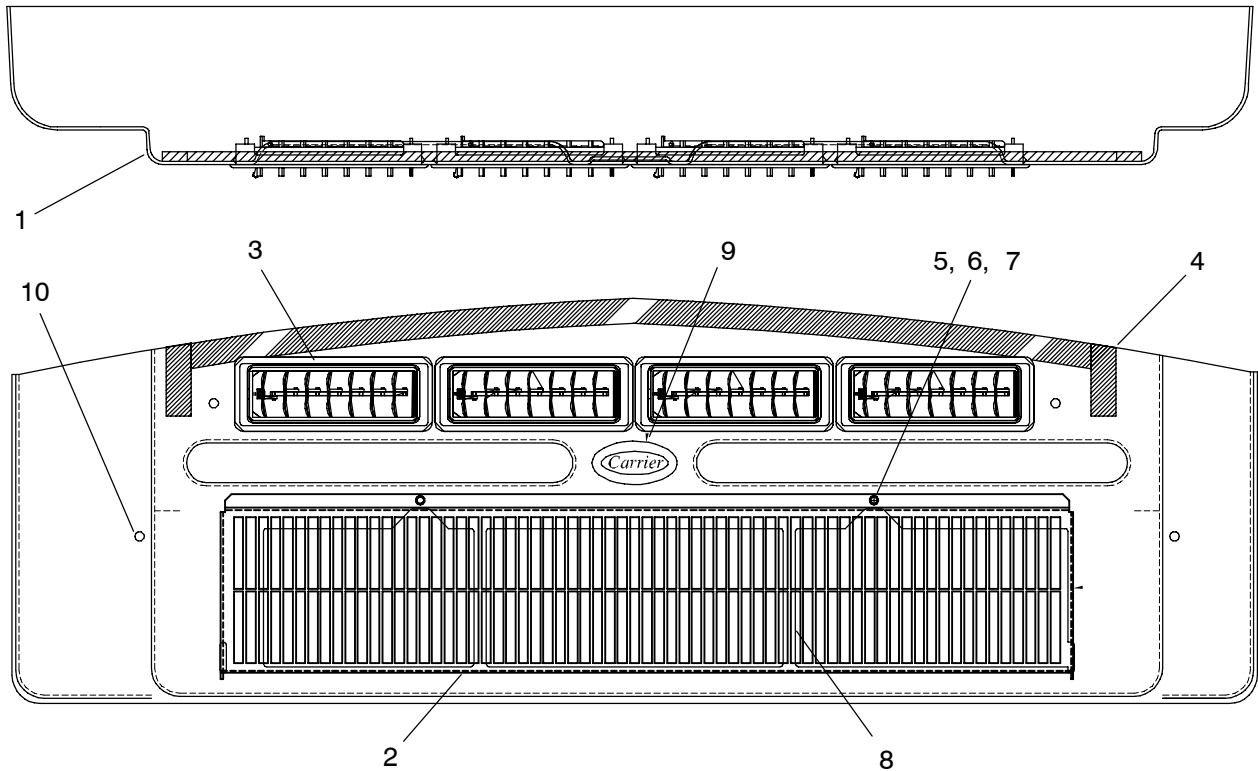
Item	Part Number	Description	Qty
-	79-62096-00	Cover Assembly, IW-1, Grey (TBB FS65) - Includes: (-04)	1
-	79-62096-01	Cover Assembly, IW-1, White (TBB FS65) - Includes: (Ref. Only)	1
1	58-62156-02Cover, TBB Grey (4.18 Inch Deep)	1
	58-62156-03Cover, TBB White (4.18 Inch Deep)	1
2	68-63438-01Grill, Painted	1
3	58-62042-00Diffuser, Air, Adjustable, (Rectangular)	4
4	AC801-414Gasket, Foam, 3/8 X 1 Inch (25 Foot Roll)	1
5	34-01306-00Nut, Retaining, Chimney Type, 1/4-20	2
6	AC801-307Screw, Knurled Slotted Head, 1/4-20 x 0.75 Inch Long, Nylon	2
7	38-00573-08Filter, Air, 34.00 X 6.40 X .25 Inch	1
8	AC022-289Decal, Carrier	1
9	34-00917-12	Screw, Hex Head, With Captive Washer, #10-32 x .75 Inches Long, Zinc	4

1.10.14 COVER ASSEMBLY, IW-1 - USE WITH 77-62160-06



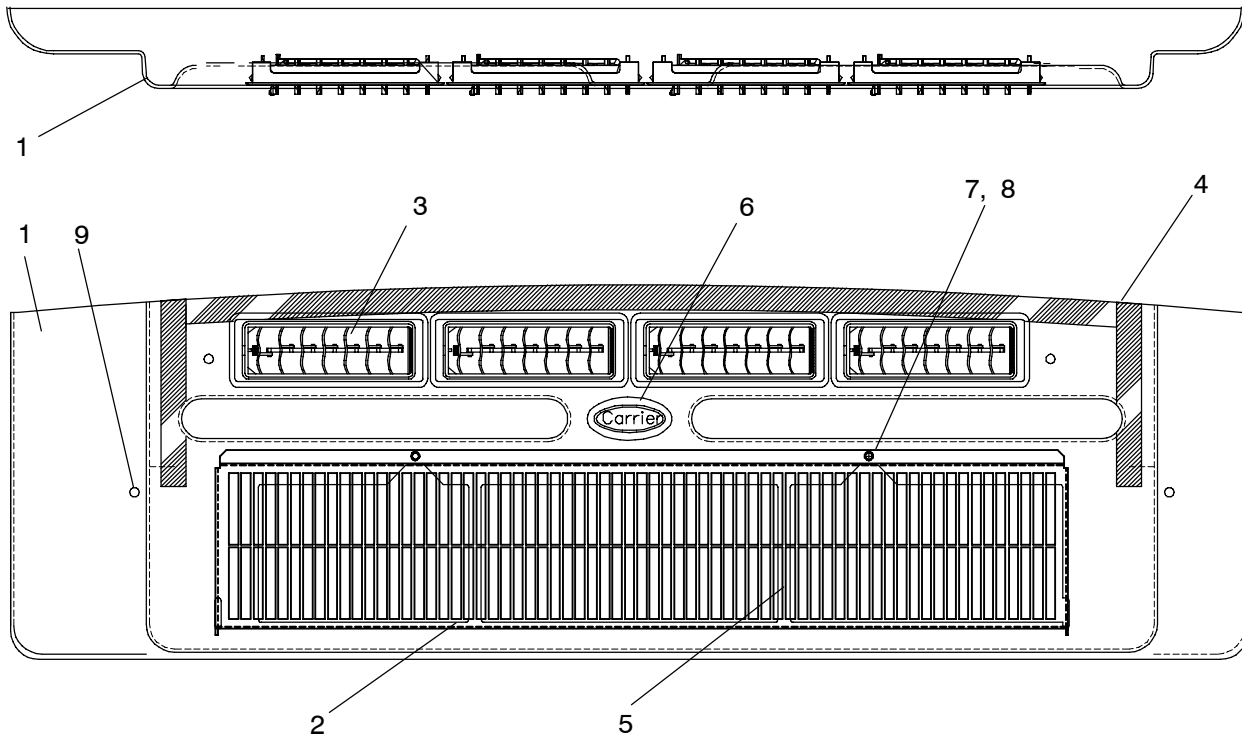
Item	Part Number	Description	Qty
-	79-62096-02	Cover Assembly, IW-1, Grey (TBB FS65) C & D Type - Includes: (-06)	1
-	79-62096-03	Cover Assembly, IW-1, White (TBB FS65) C & D Type - Includes: (Ref. Only)	1
1	58-62156-04Cover, TBB Grey (3.13 Inch Deep)	1
	58-62156-05Cover, TBB White (3.13 Inch Deep)	1
2	68-63438-01Grill, Painted	1
3	58-62042-00Diffuser, Air, Adjustable (Rectangular)	4
4	AC801-414Gasket, Foam, 3/8 X 1 Inch (25 Foot Roll)	1
5	34-01306-00Nut, Retaining, Chimney Type, 1/4-20	2
6	AC801-307Screw, Knurled Slotted Head, 1/4-20 x 0.75 Inch Long, Nylon	2
7	38-00573-08Filter, Air, 34.00 X 6.40 X .25 Inch	1
8	AC022-289Decal, Carrier	1
9	34-00917-12	Screw, Hex Head, With Captive Washer, #10-32 x .75 Inches Long, Zinc	4

1.10.15 COVER ASSEMBLY, IW-1 - USE WITH 77-62160-05 & -07



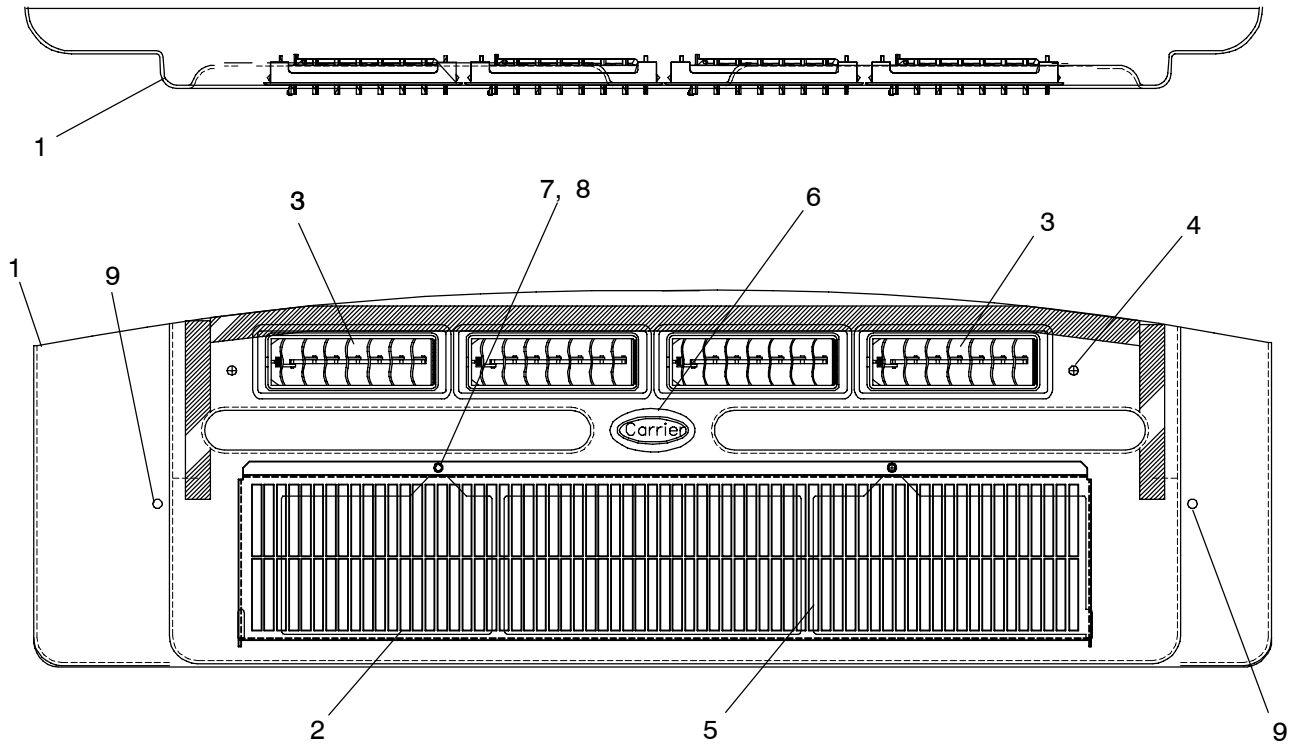
Item	Part Number	Description	Qty
-	79-62097-00	Cover Assembly, IW-1, Grey (TBB FS65) C & D Type - Includes: (-07)	1
	79-62097-01	Cover Assembly, IW-1, White (TBB FS65) C & D Type - Includes: (-05)	1
1	58-62156-00Cover, Grey (6.25 Inch Deep)	1
	58-62156-01Cover, White (6.25 Inch Deep)	1
2	68-63438-01Grill, Painted	1
3	58-62042-00Diffuser, Air, Adjustable (Rectangular)	4
4	AC801-414Gasket, Foam, 3/8 X 1 Inch (25 Foot Roll)	1
5	34-62019-00Receptable, 1/4 Turn	2
6	34-62020-00Stud, 1/4 Turn, .25 Grip Range	2
7	34-06169-01Washer, Retaining, .215 I. D.	2
8	38-00573-08Filter, Air, 34.00 X 6.40 X .25 Inch	1
9	AC022-289Decal, Carrier	1
10	34-00917-12	Screw, Hex Head, With Captive Washer, #10-32 x .75 Inches Long, Zinc	4

1.10.16 COVER ASSEMBLY, IW-1 - USE WITH 77-62160-10 & -11



Item	Part Number	Description	Qty
-	79-62096-04	Cover Assembly, Evaporator, Gray - Includes:	1
-	79-62096-05	Cover Assembly, Evaporator, White - Includes:	1
1	58-62156-06Cover, Trimmed, Gray	1
	58-62156-07Cover, Trimmed, White	1
2	68-63438-01Grill, Painted	1
3	58-62042-00Diffuser, Air, Adjustable (Rectangular)	4
4	AC801-414Gasket, Foam, 3/8 X 1 Inch (25 Foot Roll)	1
5	38-00573-08Filter, Air, 34.00 X 6.40 X .25 Inch	1
6	AC022-289Label, Carrier Emblem	1
7	34-01306-00Nut, Retaining, Chimney Type, 1/4-20	2
8	AC801-307Screw, Knurled Slotted Head, 1/4-20 x 0.75 Inch Long, Nylon	2
9	34-00917-12	Screw, Hex Head, With Captive Washer, #10-32 x .75 Inches Long, Zinc	4

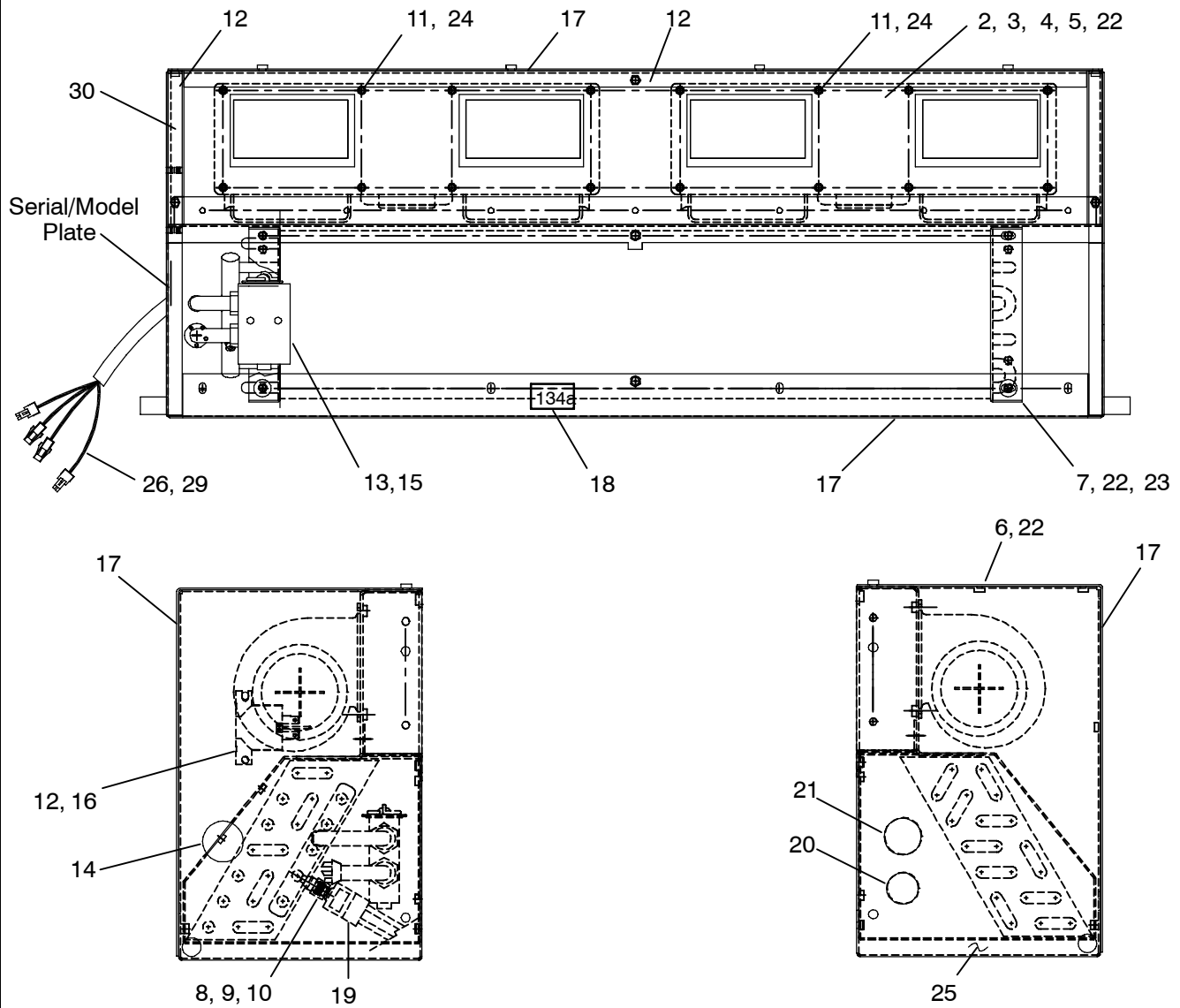
1.10.17 COVER ASSEMBLY, IW-1 - USE WITH 77-62160-12 & -13



Item	Part Number	Description	Qty
-	79-62096-06	Cover Assembly, Evaporator, Gray - Includes:	1
	79-62096-07	Cover Assembly, Evaporator, White - Includes:	1
1	58-62156-08Cover, Trimmed, Gray	1
	58-62156-09Cover, Trimmed, White	1
2	68-63438-01Grill, Painted	1
3	58-62042-00Diffuser, Air, Adjustable (Rectangular)	4
4	AC801-414Gasket, Foam, 3/8 X 1 Inch (25 Foot Roll)	1
5	38-00573-08Filter, Air, 34.00 X 6.40 X .25 Inch	1
6	AC022-289Label, Carrier Emblem	1
7	34-01306-00Nut, Retaining, Chimney Type, 1/4-20	2
8	AC801-307Screw, Knurled Slotted Head, 1/4-20 x 0.75 Inch Long, Nylon	2
9	34-00917-12	Screw, Hex Head, With Captive Washer, #10-32 x .75 Inches Long, Zinc	4

1.11 IW-2 IN-WALL EVAPORATORS

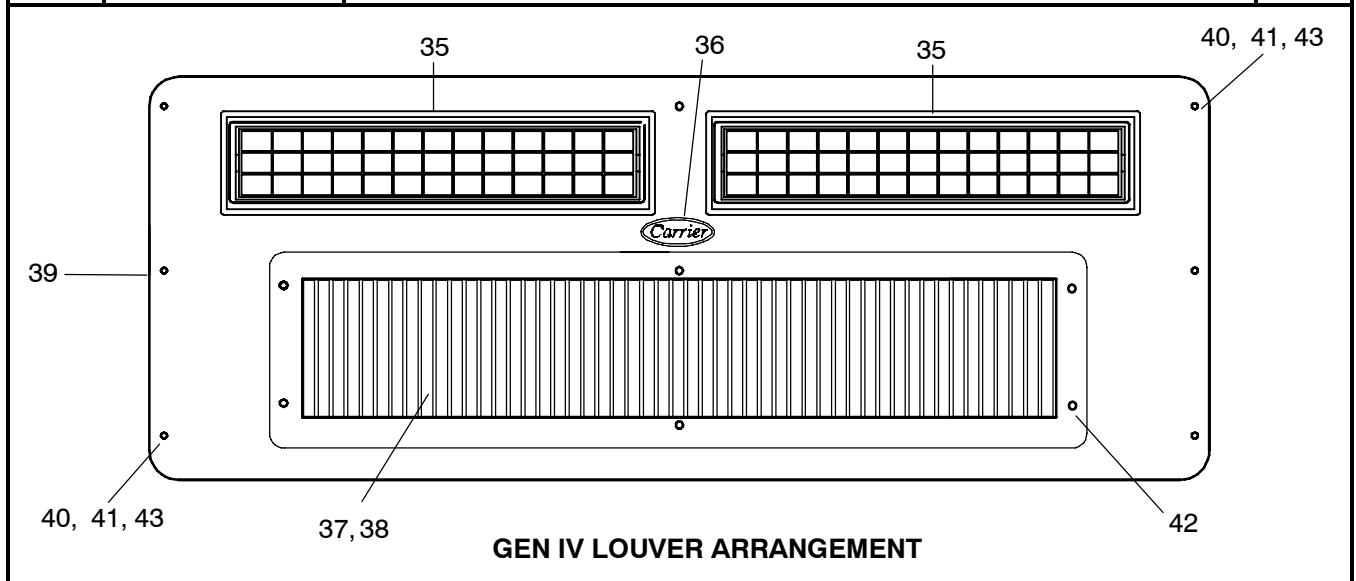
1.11.1 EVAPORATOR, IW-2 - 77-62134-00, -01, -05 & -06



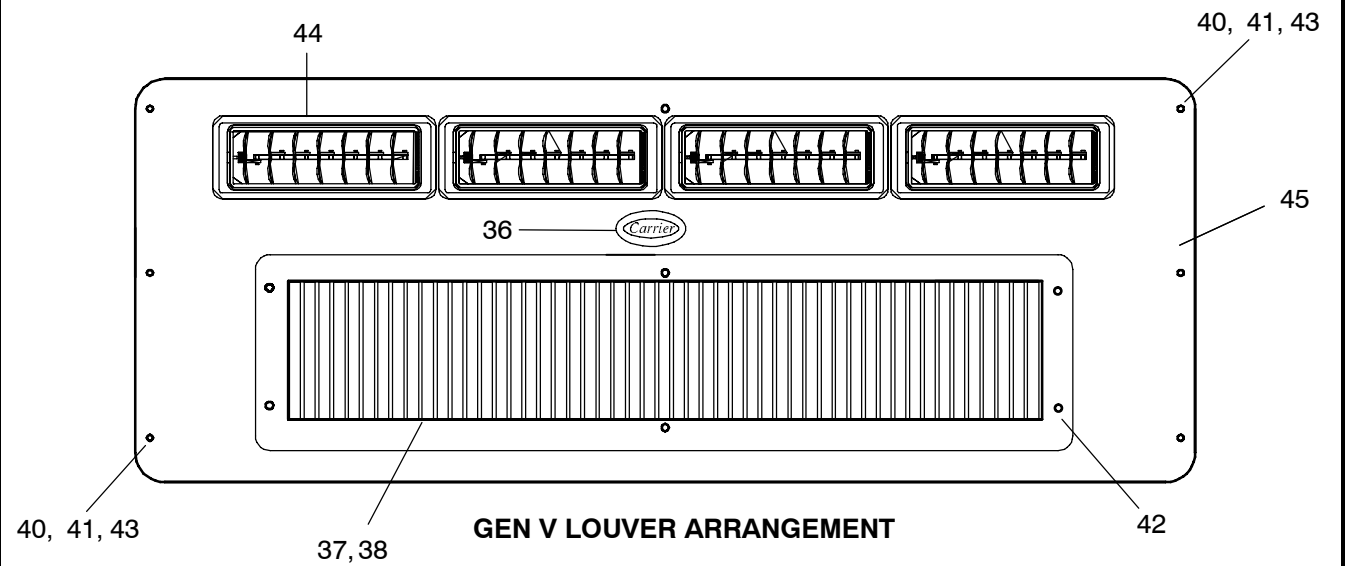
Item	Part Number	Description	Qty
NSS	77-62167-00	Evaporator Chassis Assembly, IW-2 - Includes:	-
1	86-62343-00	...Panel Assembly, Bottom, IW-2	1
2	79-62083-00	...Panel Assembly, IW-2, Blower - Includes:	1
3	63-63240-00Panel Assembly, Blower	1
4	68-63241-00Bracket Assembly, Blower	1
5	AC701-401Rivet, Pop, 3/16 SD62BS	7
6	68-63242-00	...Cover, Top, IW-2	1
7	08-62045-01	...Coil, Evaporator, IW-2 - Includes:	1
8	40-00124-00Body, Valve, Schrader, Brass, 1/4 SAE Flare - Includes:	1
9	14-00351-00Core, Access Valve (Nickel Plated)	1
10	DD19CA061Cap, Seal, Flare, 1/4 Inch	1
11	34-62051-05	...Screw, Pan Head, W/Lock Washer, #8-32 X 5/16 Long, Zinc	16
12	34-00733-00	...Nut, Hex, KEPS, #10/32, Zinc	2
13	14-00301-03	...Valve, Thermal Expansion, (R134a)	1

1.11.1 EVAPORATOR, IW-2, 77-62134-00, -01, -05 & -06 - Continued:

Item	Part Number	Description	Qty
14	58-00661-06	...Bushing, Nylon, 1-3/8 Inch Hole	1
15	AC801-202	...O-Ring, 1/2 Inch HNBR (Package of 10)	2
16	12-00547-00	...Thermostat, Freeze-Up, Non Adjustable	1
17	42-01227-00	...Insulation, Blower Panel, Evaporator	1
18	62-62039-00	...Label, Charge Only With R134a	1
19	AC201-412	...Switch, Low Pressure	1
20	58-00065-26	...Grommet, 0.75 I.D. X 1.06 Hole, .06 Inch Groove	2
21	58-00065-83	...Grommet, 1.00 ID X 1.25 Hole, .06 Inch Groove	2
22	34-62023-00	...Screw, Pan Head, Slotted, #10/32 X 0.38 Inch Long, Zinc	18
23	AC022-743-2	...Gasket, Coil, .125 Thick X 2.63 X 24.50	1
24	AC401-203	...Blower Assembly, 12 VDC	2
25	AC022-313-2	...Baffle, Drain Pan	1
26	22-62240-00	...Harness, Evaporator, EM-14, (12/24 VDC) - Includes:	1
27	22-62002-00Connector, Molded Plug With 60.00 Inch Leads	2
28	42-00032-00	...Tape, Insulation, Presstite, 2.00 Inch X 30 Feet Long	1
29	58-00079-02	...Sta-Strap, Cable Clamp, 0-1.75 Inch Diameter, Black	1
30	AC801-414	...Gasket, Foam, 3/8 X 1 Inch, (25 Foot Roll)	1
31	42-01230-00	...Insulation, Foam, Left Side	1
32	42-01230-01	...Insulation, Foam, Right Side	1
33	42-01229-00	...Insulation, Foam, Top Cover	1
34	42-01228-00	...Insulation, Foam, Bottom Panel	1
35	AC401-320	Diffuser, Air, Fixed	2
36	AC022-289	Label, Carrier	1
37	38-00573-06	Filter, Air, 26.30 X 5.75 X.25, IW-2, (Used On -00 Assembly Only))	1
38	68-07962-00	Grill, Painted	1
39	68-07963-00	Cover, Painted (2 Louvers)	1
40	AC801-529	Washer, Snap Cap	13
41	AC801-531	Cap, Snap, White	13
42	34-62046-00	Screw, Pan Head, TF, #10-16 X .63 Inch Long	6
43	34-50059-00	Screw, Pan Head, #10-32 X .50 Inch Long, Zinc	7
N/S	AC022-313	Baffle, Drain Pan	1

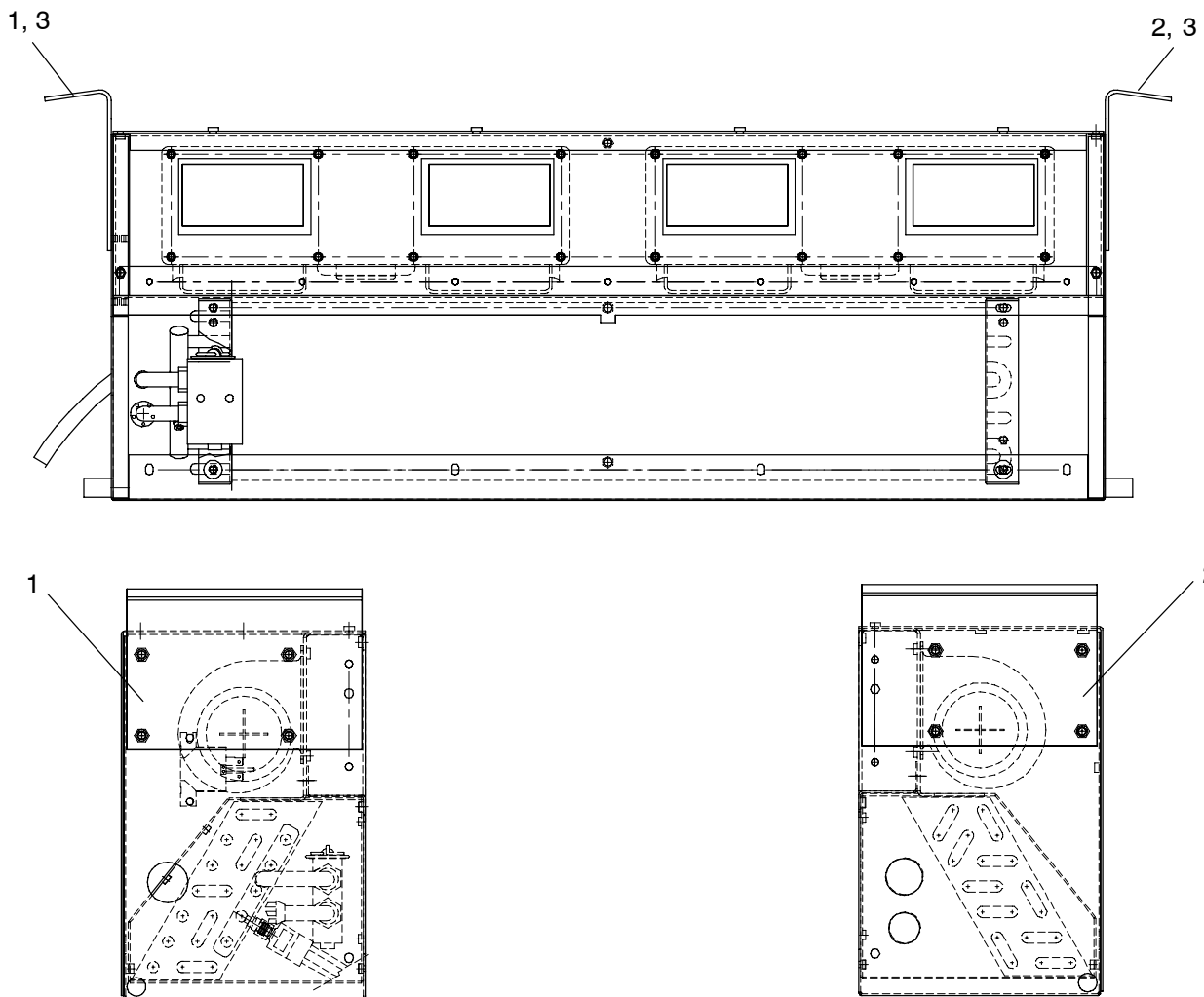


1.11.1 EVAPORATOR, IW-2, 77-62134-00 & -01 - Continued:



44	58-62042-00	Diffuser, Air, Fixed (Rectangular, 3 x 7 Inches)	4
45	68-63703-00	Cover, Painted (4 Louvers)	1

1.11.2 EVAPORATOR, IW-2 (77-62134-02)

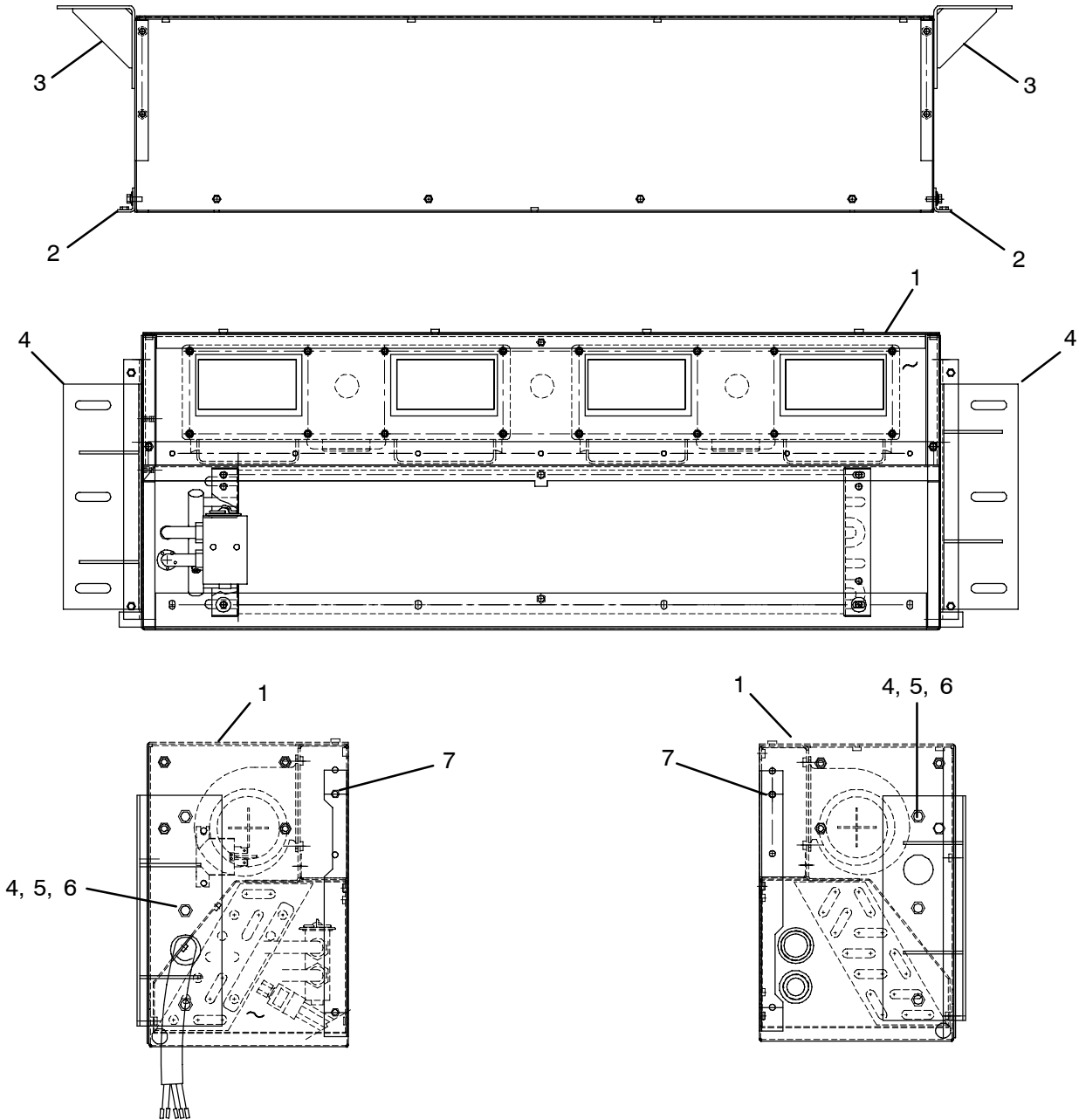


NOTE:

PARTS LIST FOR EVAPORATOR KIT 77-62134-02 IS THE SAME AS KIT 77-62134-00 EXCEPT AS SHOWN.

Item	Part Number	Description	Qty
NSS	77-62167-01	Evaporator Chassis Assembly, IW-2 - Includes:	-
1	68-63529-00	...Bracket, Evaporator Mounting	1
2	68-63529-01	...Bracket, Evaporator Mounting	1
3	34-06224-00	...Screw, Hex Head, With Captive Washer, 1/4-20 X .75 Inch Long, SST	8

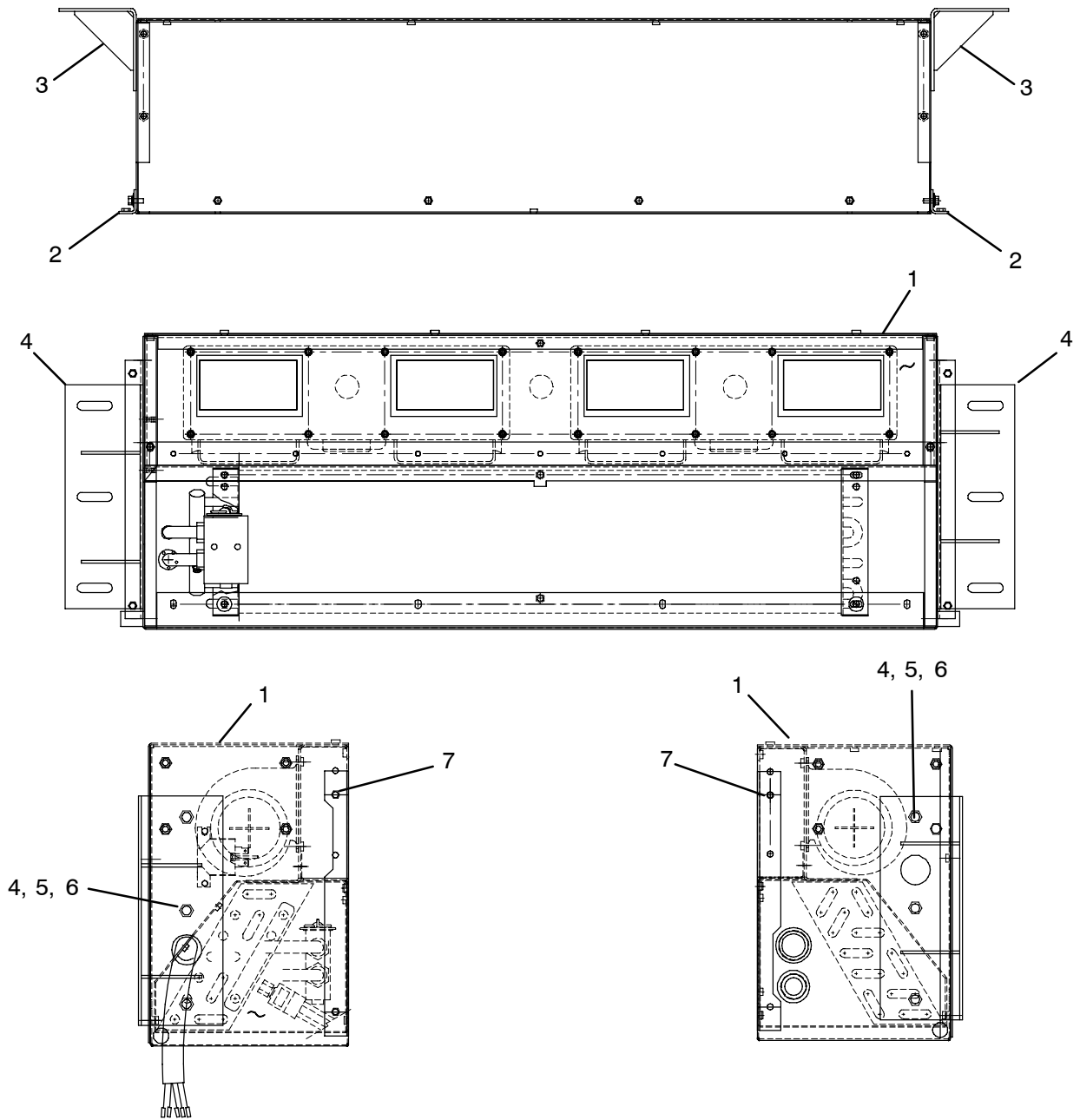
1.11.3 EVAPORATOR, IW-2



NOTE: SEE PARTS LIST 77-62134-00 FOR THIS EVAPORATOR BREAKDOWN

Item	Part Number	Description	Qty
-	77-62167-01	Evaporator Chassis Assembly, IW-2 - Includes:	1
1	68-63242-00	...Cover, Top, IW-2	1
2	68-63617-00	...Angle Assembly, Cover, IW-2	2
3	86-62449-00	...Bracket Assembly, Evaporator Mounting, IW-2 TBB SRW	2
4	34-00792-06	...Bolt, Hex Head, 5/16-18 X .750 Inch Long, SST	6
5	34-00663-12	...Washer, Split Lock, 5/16, SST	6
6	34-00662-12	...Washer, Flat, 5/16, SST	6
7	34-00917-08	...Screw, Hex Head, With Captive Washer, 1/4-20 X .75 Inch Long, SST	4

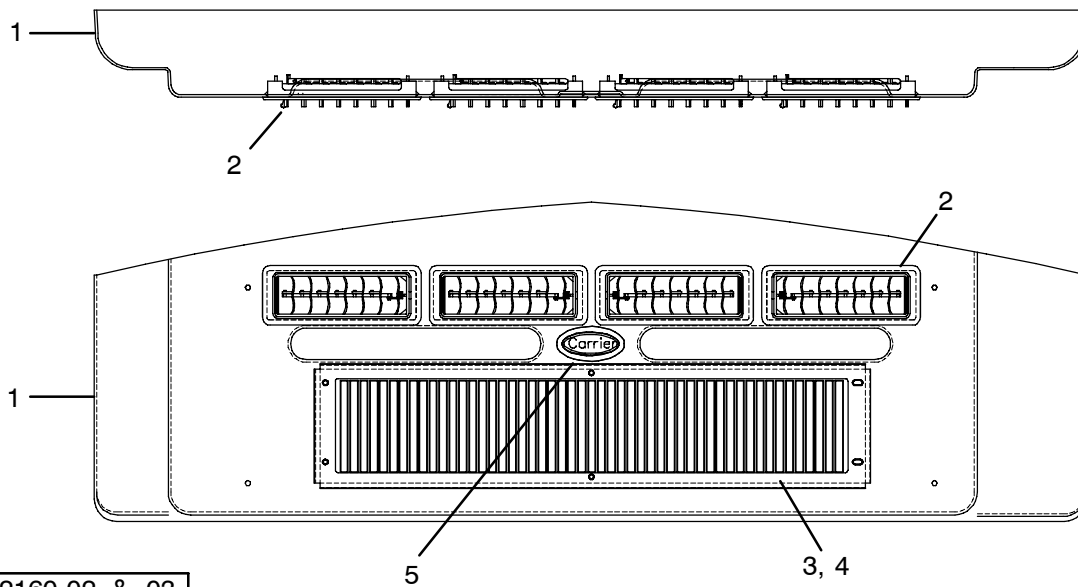
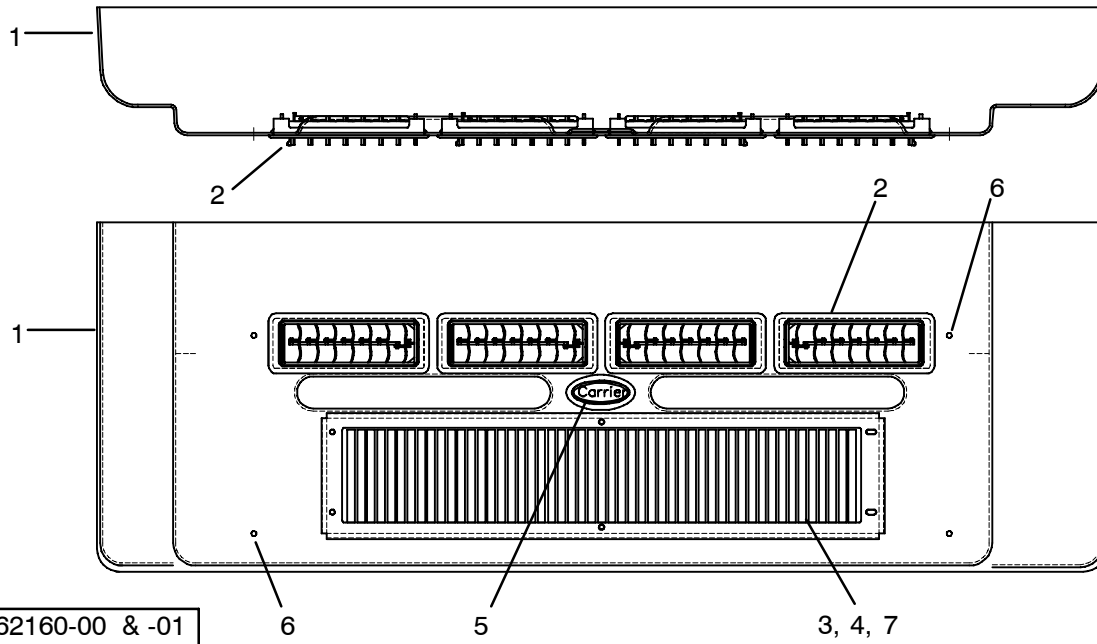
1.11.4 EVAPORATOR, IW-2, 77-62134-03 & -04



NOTE: PARTS LIST FOR EVAPORATOR KIT 77-62134-03 IS THE SAME AS KIT 77-62134-00 EXCEPT AS SHOWN.

Item	Part Number	Description	Qty
NSS	77-62167-02	Evaporator Chassis Assembly, IW-2 - Includes:	-
1	68-63242-01	...Cover, Top, IW-2 With (3) 1.00 Inch Diameter Knockouts	1
2	68-63617-00	...Angle, Cover	2
3	86-62449-00	...Bracket Assembly, Unit Mounting	2
4	34-00792-06	...Screw, Hex Head, 5/16-18 x 0.750 Inch Long, SST	6
5	34-00663-12	...Washer, Lock, 5/16, SST	6
6	34-00662-12	...Washer, Plain, 5/16, SST	6
7	34-00917-12	...Screw, Hex Washer Head Slotted, #10-32 x 0.75 Inch Long	4

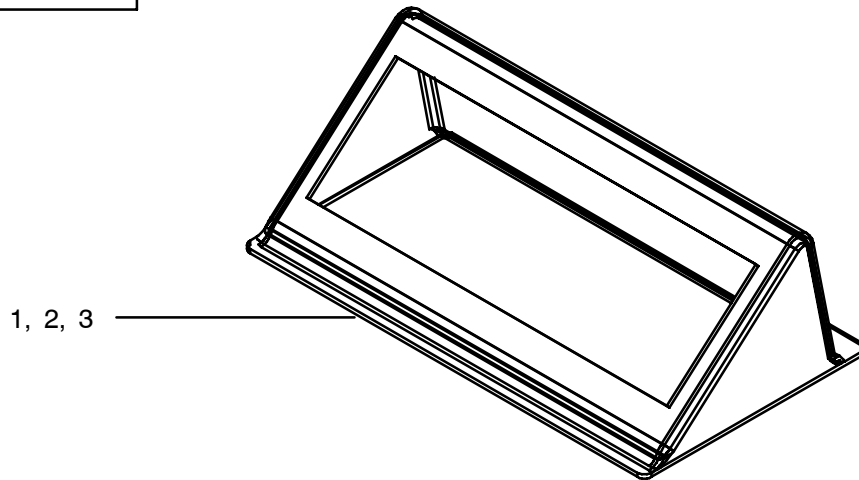
1.11.5 COVER ASSEMBLY, EVAPORATOR, IW-2 (79-62098-00 THRU 79-62098-03)



Item	Part Number	Description	Qty
1	58-62160-00	Cover, Trimmed, IW-2, Gray (4.26 Inch Deep)	1
	58-62160-01	Cover, Trimmed, IW-2, White (4.26 Inch Deep)	1
	58-62160-02	Cover, Trimmed, IW-2, Gray, TBB SRW (3.13 Inch Deep)	1
	58-62160-03	Cover, Trimmed, IW-2, White, TBB SRW (3.13 Inch Deep)	1
2	58-62042-00	Diffuser, Air, Adjustable (Rectangular)	4
3	68-63616-00	Grille, Evaporator, IW-2	1
4	38-00573-06	Filter, Air, IW-2 (26.30 X 5.75 X .25 Inch)	1
5	AC022-289	Label, Carrier	1
6	34-00917-12	Screw, Hex Head, Captive Washer, #10-32 X 3/4 Inch Long	4
7	34-00917-20	Screw, Hex Head, Captive Washer, #10-32 X 1-1/4 Inch Long	6

1.11.6 AIR DEFLECTOR - COVER ASSEMBLY (ABS)

Reference Kits
76-62288-00 & 01

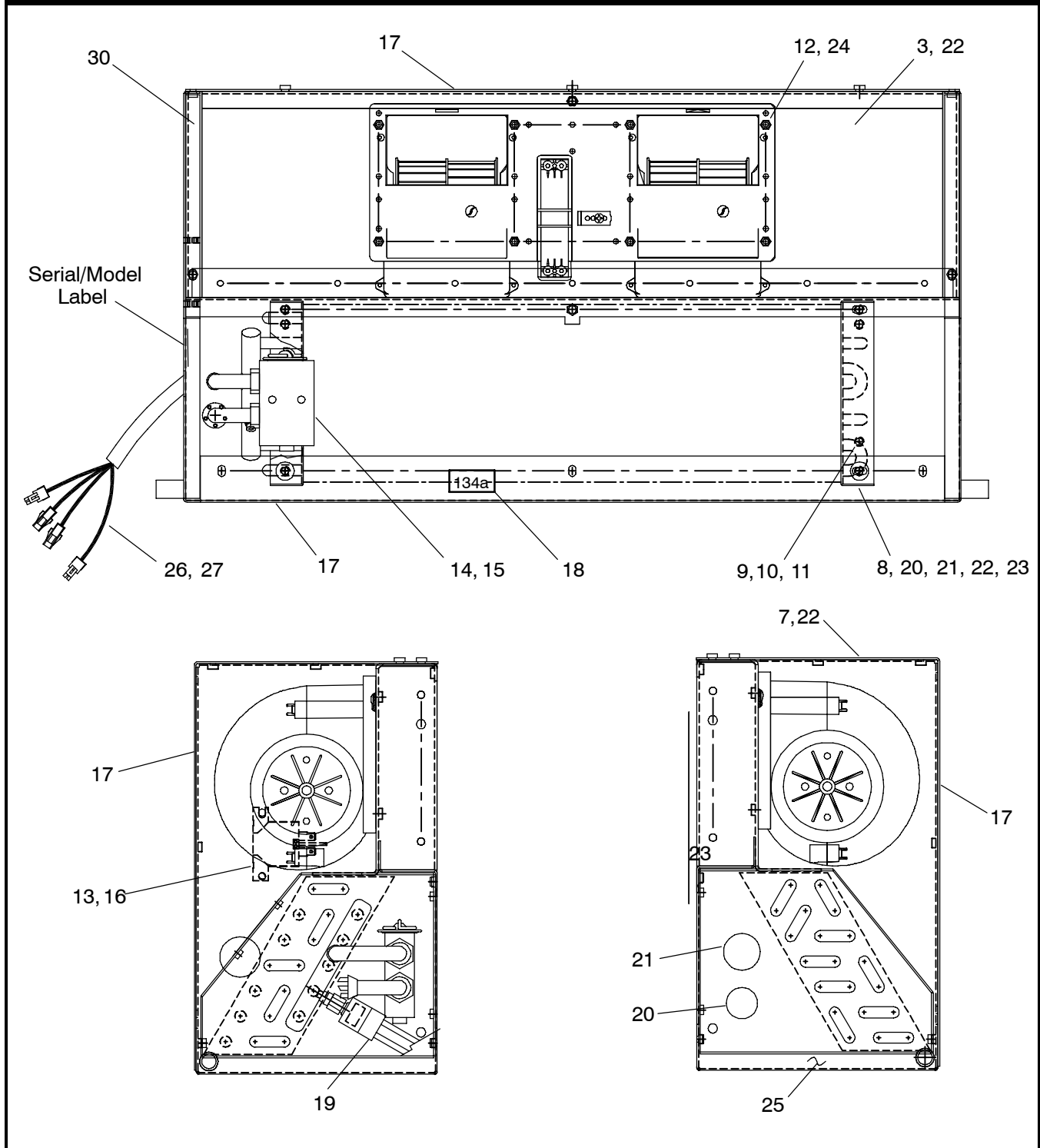


Can Be Used With All ABS IW Cover Assemblies

Item	Part Number	Description	Qty
1	58-62185-00	Deflector, Air Diverter, Gray	1
	58-62185-01	Deflector, Air Diverter, White	1
2	58-62189-00	Cap, Aluminum Tone (Kappet)	4
	58-62189-01	Cap, White (Kappet)	4
3	34-62068-00	Screw, #8-18 Self Threading	4

1.12 IW-7 IN-WALL EVAPORATORS

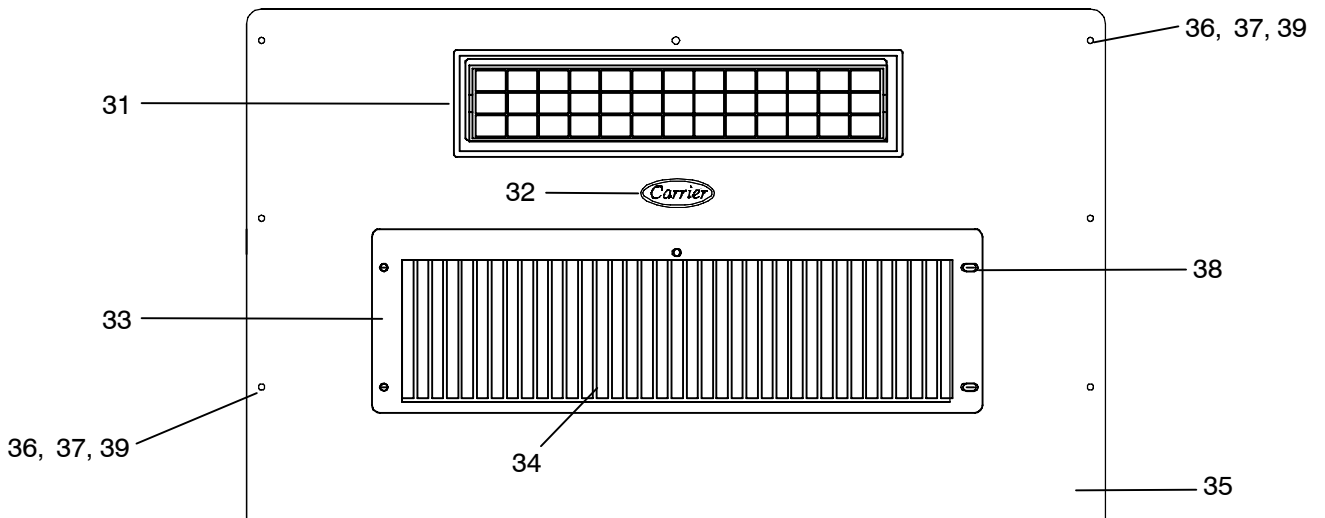
1.12.1 EVAPORATOR, IW-7 (77-62131-00)



Item	Part Number	Description	Qty
1	77-62166-00	Evaporator Chassis Assembly, IW-7 - Includes:	1
2	86-62325-00	...Panel Assembly, Bottom, IW-7, (Welded)	1
3	79-62081-00	...Panel Assembly, Blower, IW-7 - Includes:	1
4	68-63153-00Panel Assembly, Blower	1
5	68-63156-00Bracket Assembly, Blower	1
6	AC701-401Rivet, Pop, 3/16 Inch, Steel	7
7	68-63154-00	...Cover, Top, IW-7	1

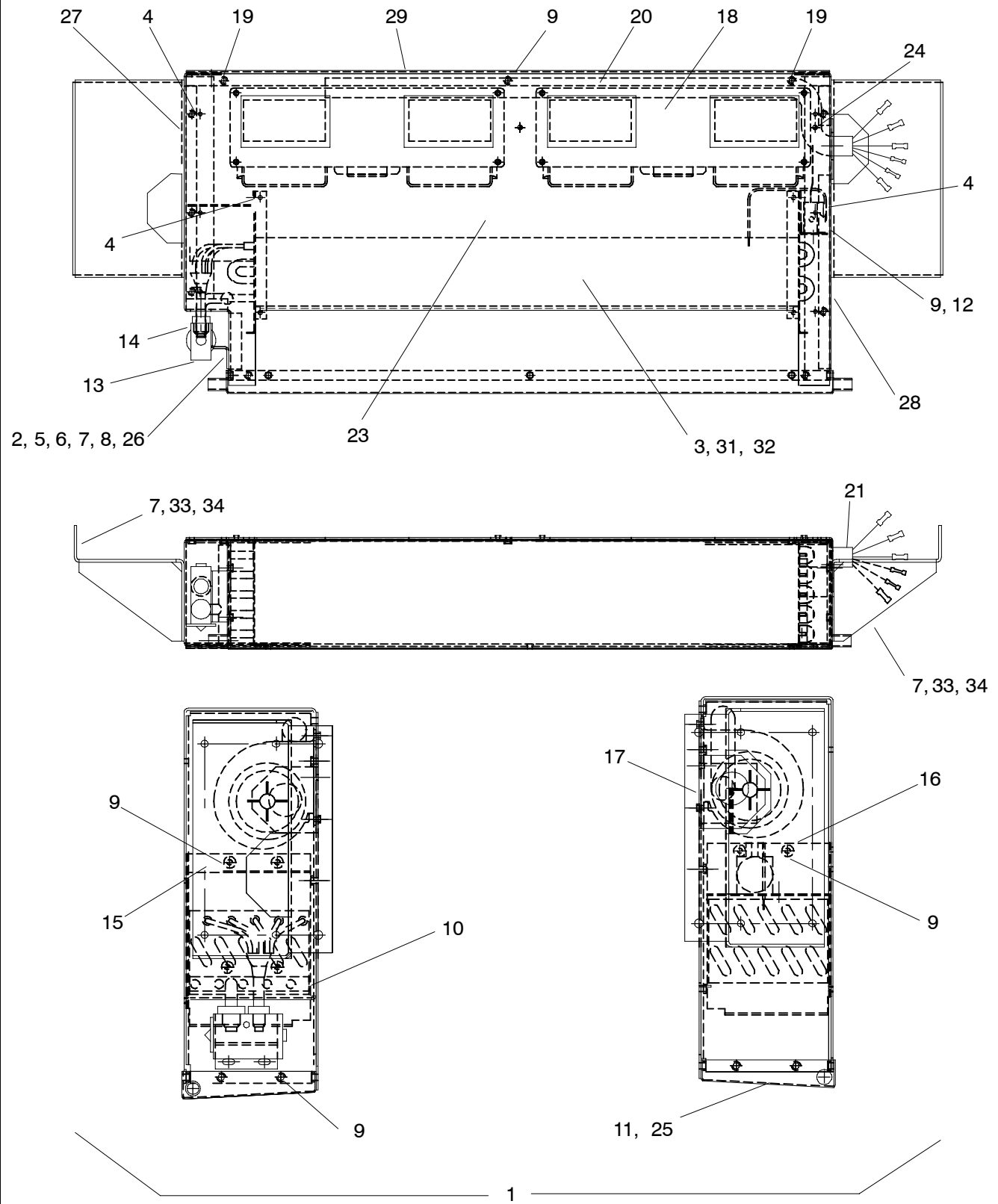
1.12.1 EVAPORATOR, IW-7, (77-62131-00) - Continued:

Item	Part Number	Description	Qty
8	08-62045-00	...Coil, Evaporator, IW-7 - Includes:	1
9	40-01124-00Body, Valve, Schrader, Brass, 1/4 SAE Flare - Includes:	1
10	14-00351-00Core, Access Valve, (Nickel Plated)	1
11	DD19CA061Cap, Seal, Flare, 1/4 Inch	1
12	34-62051-05	...Screw, Phillips, W/Int. Tooth Lock Washer, #8-32 X 5/16 Lg.	8
13	34-00733-00	...Nut, Lock, 10/32, Plated	2
14	14-00301-03	...Valve, Thermal Expansion Block, (R134a)	1
15	AC801-202	...O-Ring, 1/2 Inch HNBR	2
16	12-00547-00	...Thermostat, Freeze-Up, Non Adjustable	1
17	AC801-416	...Gasket, Foam, 1/8 X 12-3/4 Inch (25 Ft. Roll)	1
18	62-62039-00	...Label, R134a	1
19	AC201-412	...Switch, Low Pressure	1
20	58-00065-26	...Grommet, 3/4 Inch I.D.	2
21	58-00065-83	...Grommet, 1 Inch I.D.	2
22	34-62023-00	...Screw, Machine, Pan Head, 10/32 X 3/8 Inch Long	15
23	AC022-743	...Gasket, 1/8 Inch Thick PSAB	1
24	54-00606-00	...Fan & Motor Assembly, Permanent Magnet, 12 VDC	1
25	AC022-313-3	...Baffle, Drain Pan	1
26	22-62175-00	...Harness, Evaporator, IW-7, Includes:	1
27	AC201-600Diode, 6 Amp, 250 Volt	1
28	42-00032-01	...Tape, Insulation, Presstite, 2.00 X 48.00 Inches Long	1
29	58-00079-02	...Sta-Strap, Cable Clamp, 0 - 1.75 Inch Diameter, Black	1
30	AC801-414	...Gasket, Foam, 3/8 X 1.00 Inch, (25 Foot Roll)	1
31	AC401-320	Diffuser, Air, EM-1/2/3/6, GEN 3 (Used With OEM Supplied Grill Assy)	1
32	AC022-289	Decal, Carrier (Used With OEM Supplied Grill Assy)	1
33	38-00573-05	Filter, Air, IW-7, (5.5 X 19. Inches) (Used With OEM Supplied Grill Assy)	1
34	68-07964-00	Grill, Painted	1
35	68-07965-00	Cover, Painted	1
36	AC801-529	Washer, Snap Cap	12
37	AC801-531	Cap, Snap, White	12
38	34-62046-00	Screw, Pan Head, TF, #10-16 X .63 Inch Long	6
39	34-62057-01	Screw, Pan Head, #10-32 X .50 Inch Long, Zinc	6



1.13 IW-14 IN-WALL EVAPORATORS

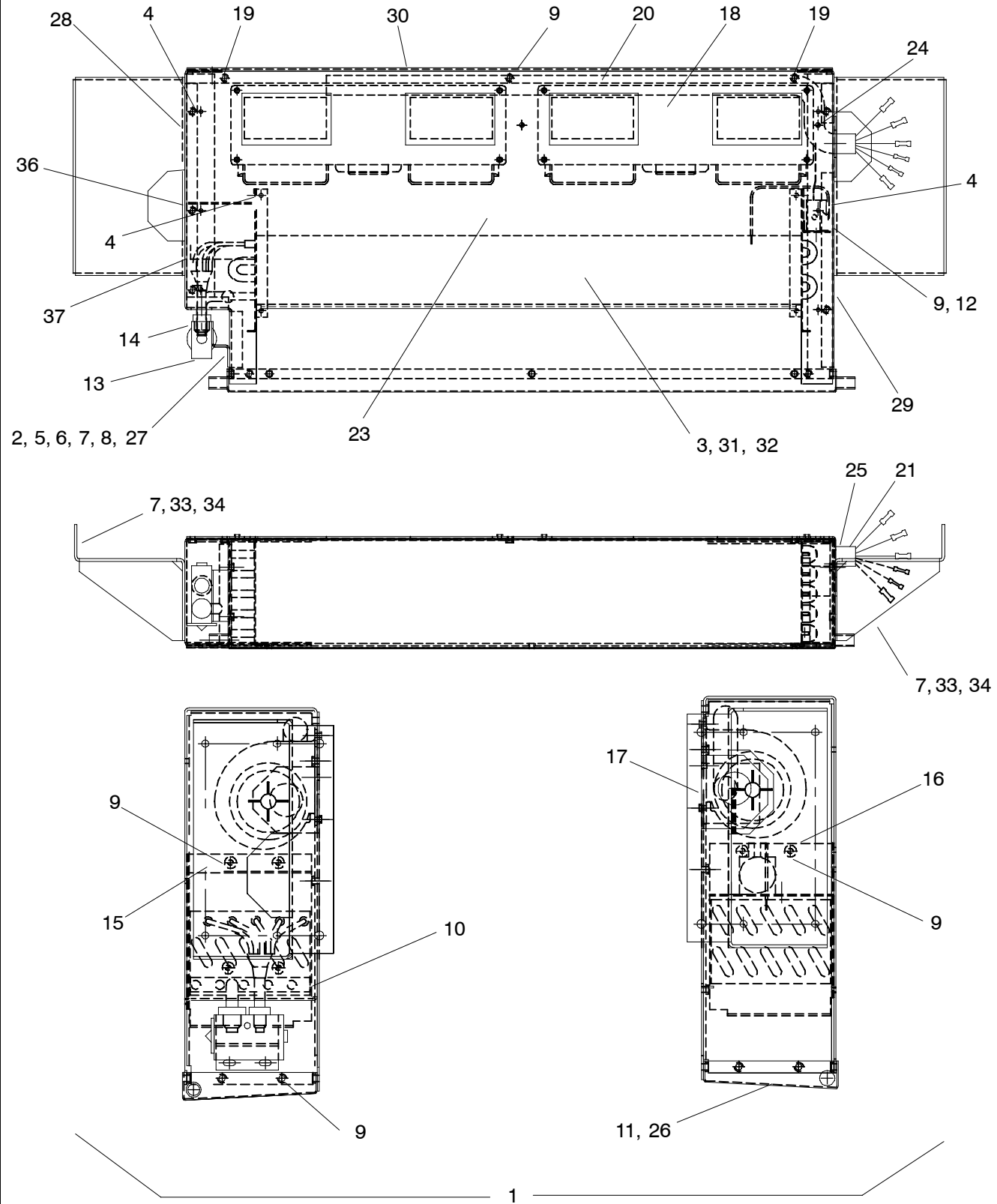
1.13.1 EVAPORATOR, IW-14, (77-62080-00)



1.13.1 EVAPORATOR, IW-14, (77-62080-00) - Continued:

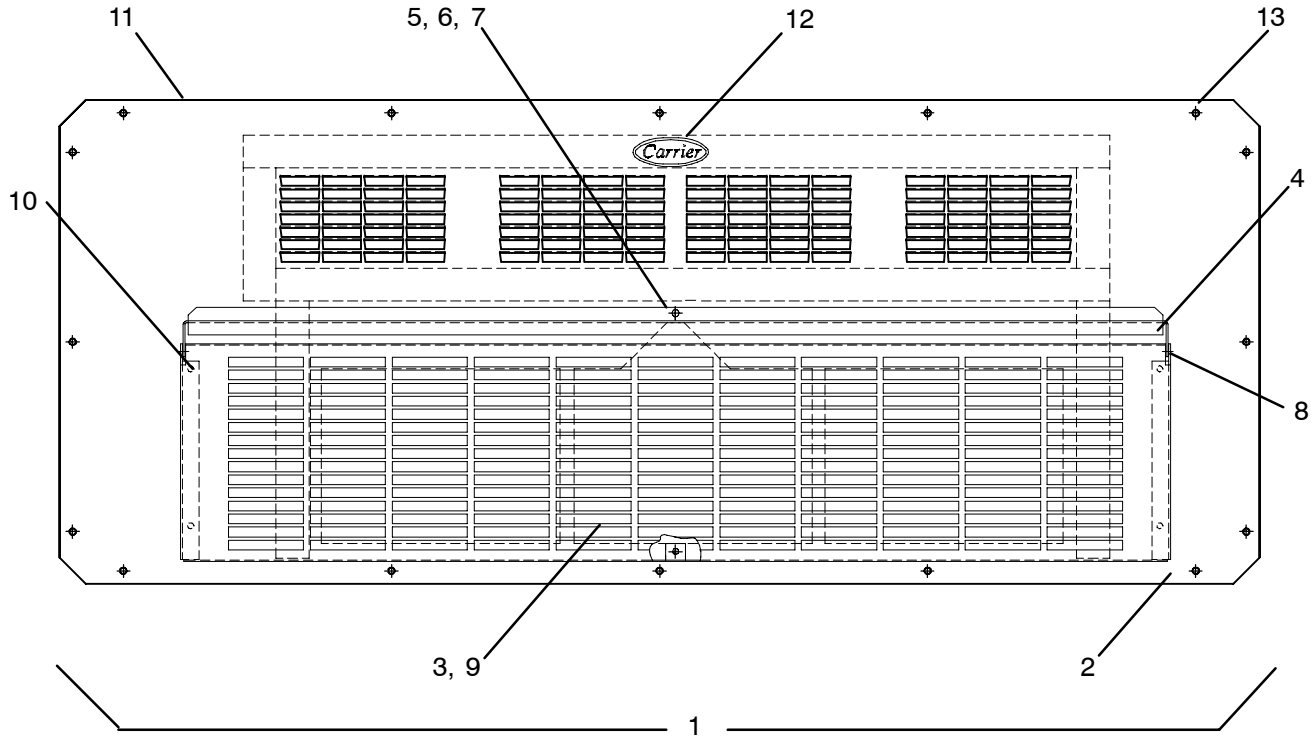
Item	Part Number	Description	Qty
1	77-62080-11	Chassis Assembly, Evaporator, IW-14 - Includes: (Reference Only - NSS)	1
2	62-62039-00	...Label, R134a	1
3	08-62064-00	...Coil Assembly, 4 Row, W/O Reheat	1
4	AC701-401	...Rivet, Pop, 3/16 SD62BS	14
5	68-63048-00	...Bracket, TXV	1
6	34-00663-11	...Washer, Split Lock, 1/4 Inch, SST	9
7	34-00662-11	...Washer, Flat, 1/4 Inch, SST	10
8	34-00666-11	...Nut, Hex, 1/4-20, SST	1
9	34-00917-08	...Screw, Hex Head, Captive Washer, 10-32 X .50 Inch	24
10	AC801-416	...Gasket, Foam, 1/8 X 12-3/4 Inch (300Ft. Roll)	1
11	AC022-746-1	...Gasket, Drain Pan, .50 Thick X 5.50 X 33.25	1
12	12-00547-00	...Thermostat, Freeze-Up, Non Adjustable	1
13	14-00301-03	...Valve, Thermal Expansion Block, (R134a)	1
14	AC801-202	...O-Ring, 1/2 Inch HNBR	2
15	68-62947-00	...Baffle, Coil, Left	1
16	68-62948-00	...Baffle, Coil, Right	1
17	79-62061-00	...Panel Assembly, Evaporator, Includes:	1
18	AC401-203Blower Assembly, EM-14, 12 VDC	2
19	34-62050-04Screw, Phillips, W/Ext. Tooth Lock Washer, #10-32 X 1/2 Inch Long	8
20	58-00079-02Sta-Strap, Cable Clamp, 0 - 1.75 Inch Diameter Black	5
21	AC022-744Harness, Evaporator, EM-14, (12/24 VDC) - Includes:	1
22	22-62002-00Connector, Molded Plug With 60.00 Inch leads	2
23	68-62954-00Panel, Evaporator, EM-1	1
24	34-00733-00Nut, Hex , W/Lockwasher, Keps, 10/32, Zinc Plated	2
25	86-62262-00	...Panel Assembly, Drain Pan	1
26	34-00655-12	...Screw, Cap, Hex Head, 1/4-20 X 1-1/2 Inch SST	1
27	68-62951-00	...Side, Left	1
28	68-62952-00	...Side, Right	1
29	68-62953-00	...Wrapper	1
30	42-00032-00	...Tape, Insulation, Presstite, 2.00 Inch X 30 Feet Long	1
31	AC801-414	...Gasket, Foam, 3/8 X 1 Inch X 25 Foot Roll	1
32	AC022-743	...Gasket, Foam, 0.12 Thick X 3.50 Wide X 26.25 Inches Long	1
33	68-63268-00	...Bracket, Mounting	2
34	34-62055-00	Screw, Hex Head, SEMS, W/Split Lockwasher, 1/4-20 X .62 Inch Long	8
N/S	34-00792-08	Bolt, Hex Head, 5/16-18 X 1 Inch Long, SST	4
N/S	34-00663-12	Washer, Split Lock, 5/16 Inch, SST	4
N/S	34-00662-12	Washer, Flat, 5/16 Inch, SST	4

1.13.2 EVAPORATOR, IW-14, WITH LP SWITCH (77-62080-01)



1.13.2 EVAPORATOR, IW-14, WITH LP SWITCH (77-62080-01) - Continued:			
Item	Part Number	Description	Qty
1	77-62080-12	Chassis Assembly, Evaporator, IW-14 - Includes: (Reference Only - NSS)	1
2	62-62039-00	...Label, R134a	1
3	08-62064-00	...Coil Assembly, 4 Row - Includes:	1
3.1	40-01124-00Body, Valve, Schrader, Brass 1/4 SAE Flare - Includes	1
3.2	14-00351-00Core, Access Valve (Nickel Plated)	1
3.3	DD19CA061Cap, Seal, Flare, 1/4 Inch	1
4	AC701-401	...Rivet, Pop, 3/16 SD62BS	14
5	68-63048-00	...Bracket, TXV	1
6	34-00663-11	...Washer, Split Lock, 1/4 Inch, SST	9
7	34-00662-11	...Washer, Flat, 1/4 Inch, SST	10
8	34-00666-11	...Nut, Hex, 1/4-20, SST	1
9	34-00917-08	...Screw, Hex Head, Captive Washer, 10-32 X .50 Inch	24
10	AC801-416	...Gasket, Foam, 1/8 X 12-3/4 Inch x 25 Feet Roll	1
11	AC022-746-1	...Gasket, Drain Pan, .50 Thick X 5.50 X 33.25	1
12	12-00547-00	...Thermostat, Freeze-Up, Non Adjustable	1
13	14-00301-03	...Valve, Thermal Expansion Block, (R134a)	1
14	AC801-202	...O-Ring, 1/2 Inch HNBR	2
15	68-63705-00	...Baffle, Coil, Left	1
16	68-62948-00	...Baffle, Coil, Right	1
17	79-62061-00	...Panel Assembly, Evaporator, Includes:	1
18	AC401-203Blower Assembly, EM-14, 12 VDC	2
19	34-62050-04Screw, Phillips, W/Ext. Tooth Lock Washer, #10-32 X 1/2 Inch Long	8
20	58-00079-02Sta-Strap, Cable Clamp, 0 - 1.75 Inch Diameter Black	5
21	22-62240-01Harness, Evaporator, EM-14, (12/24 VDC) - Includes:	1
22	22-62002-00Connector, Molded Plug With 60.00 Inch leads	2
23	68-62954-00Panel, Evaporator, EM-1	1
24	34-00733-00Nut, Hex, W/Lockwasher, Keps, 10/32, Zinc Plated	2
25	58-00661-06Bushing, Nylon, 1-3/8 Inch Hole	1
26	86-62497-00	...Drain Pan Assembly,	1
27	34-00655-12	...Screw, Cap, Hex Head, 1/4-20 X 1-1/2 Inch SST	1
28	68-62951-00	...Side, Left	1
29	68-62952-00	...Side, Right	1
30	68-62953-00	...Wrapper	1
31	42-00032-00	...Tape, Insulation, Presstite, 2.00 Inch X 30 Feet Long	1
32	AC801-414	...Gasket, Foam, 3/8 X 1 Inch X 25 Foot Roll	1
33	AC022-743	...Gasket, Foam, 0.12 Thick X 3.50 Wide X 26.25 Inches Long	1
34	68-63268-00	...Bracket, Mounting	2
35	34-62055-00	...Screw, Hex Head, W/Split Lockwasher, 1/4-20 X .62 Inch Long.	8
36	58-00661-04	...Bushing, Nylon, 1-3/8 Inch Hole	1
37	AC201-412	...Switch, Low Pressure	1
N/S	34-00792-08	Bolt, Hex Head, 5/16-18 X 1 Inch Long, SST	4
N/S	34-00663-12	Washer, Split Lock, 5/16 Inch, SST	4
N/S	34-00662-12	Washer, Flat, 5/16 Inch, SST	4

1.13.1 GRILL ASSEMBLY, EVAPORATOR, IW-14, (77-62080-00 & -01) - Continued:

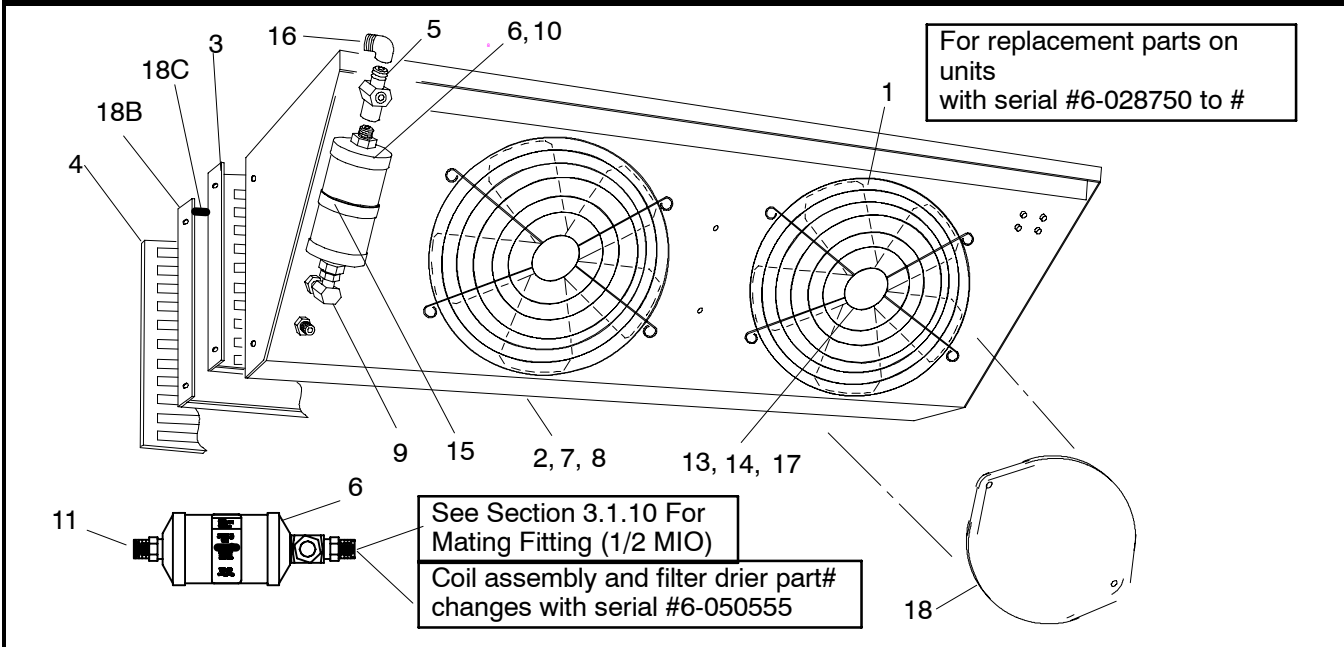


Item	Part Number	Description	Qty
1	79-62064-00	Grill Assembly IW-14, Includes:	1
2	68-62946-00Panel, Grill, EM-14, (Painted)	1
3	68-62735-00Grill, Evaporator, EM-1, GEN-5, (Painted)	1
4	68-62736-00Channel, Filter, EM-1, GEN-5, (Painted)	1
5	34-62019-00Receptable, 1/4 Turn	1
6	34-62020-00Stud, 1/4 Turn, .25 Grip Range	1
7	34-06169-01Washer, Retaining, (Southco 82 Series)	1
8	AC701-403Rivet, Pop, 1/8 Dia. AD43H	2
9	38-00573-01Filter, Air, 36.5 X 9 X .12 Inch (EM-1 GEN 5)	1
10	AC701-400Rivet, Pop, 3/16 Dia. SD64BS	5
11	AC801-403Gasket, Foam, 1-1/4 X 1-1/4 Inch (25 Foot Roll)	1
12	AC022-289 Decal, Carrier	1
13	34-62045-36	Screw, Pan Head, Phillips, #10 X 1 Inch TEK	16

SECTION 2 - CONDENSERS

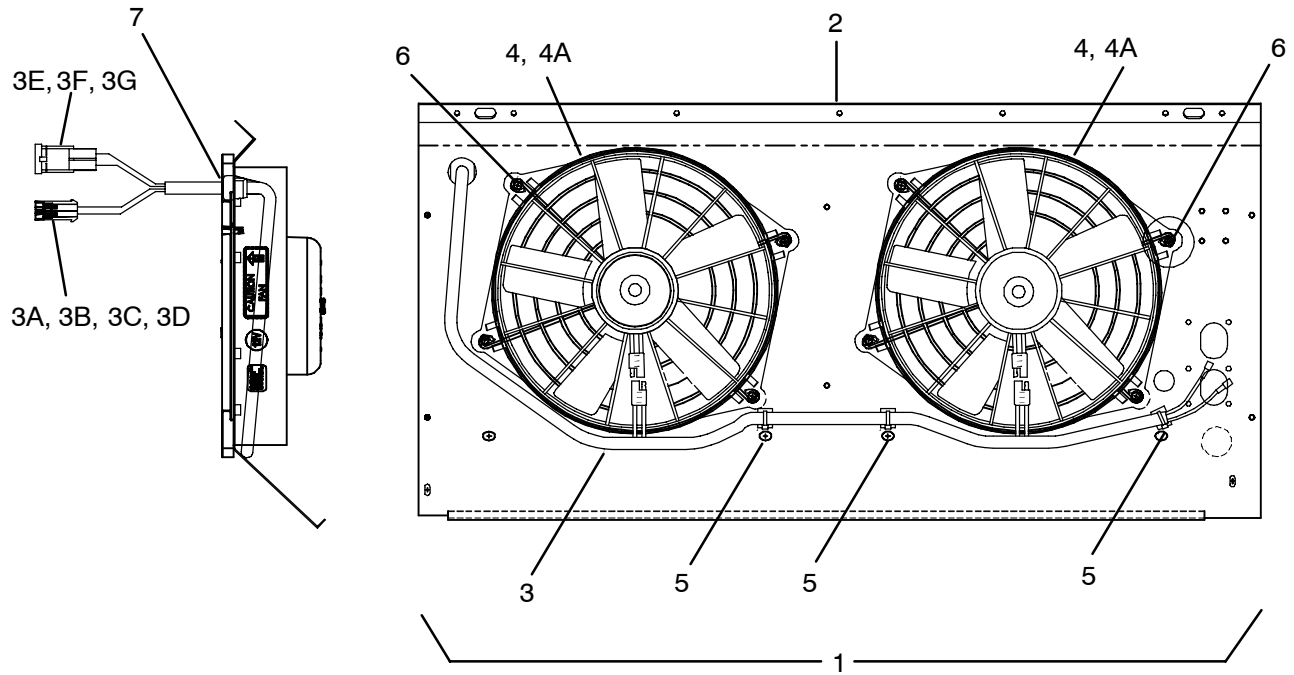
SECTION 2.1 CM-2 CONDENSERS

2.1.1 CONDENSER, CM-2, GEN 4



Item	Part Number	Description	Qty
1	AC030-234	Guard, Fan (Not used with 54-00618-01)	2
2	AC033-219	Coil Assembly, With Pressure Switches, (Before serial #6-050555)	1
	08-62035-00	Coil Assembly (Beginning serial #6-050555)	1
3	AC033-134P	Grill, Condenser Mounted	1
4	AC033-136	Grill, Bus Skirt Mounted	1
5	AC101-200	Sightglass	1
6	AC101-312	Filter Drier, 16 Cubic Inch, 1/2 Inch MFO (Before serial #6-050555)	1
	14-00288-00	Filter Drier/Sightglass Combination, (Beginning with serial #6-050555)	1
7	AC201-414	Switch, High Pressure	1
8	AC201-412	Switch, Low Pressure	1
9	AC301-441	Fitting, Swivel Union, 1/2 Inch Female Flare X 1/2 Inch Female Flare	1
	40-62036-00	Fitting, Swivel Union, 1/2 Inch Female O-Ring X 1/2 Inch Female O-Ring	1
10	AC801-220	O-Ring, 1/2 Inch MF-O, (Old)	2
11	AC801-202	O-Ring, 1/2 Inch HNBR, (New)	2
12	54-00618-01	Fan & Motor Asy., Vector, 12V, W/Fuse, 11 In. (No Repl. Motor) Includes:	2
12A	22-02336-25Fuse, 20 Amp	1
13	AC401-110	Assembly, Fan, 12 VDC - Includes:	2
	54-50080-00	...Motor, Fan, 12 VDC	1
	44-50024-00	...Clip, Fan Blade	1
14	CM205-197	Assembly, Fan, 24 VDC	2
15	AC701-269	Clamp, Worm Gear, (Filter Drier)	1
16	DD12CA201	Fitting, 90°, 1/2 Inch Male Flare X 1/2 Inch Female Flare	1
17	22-62123-00	Harness, Condenser, CM-2	1
18	AC033-146	Kit, Winterization, Consisting Of:	1
18A	AC033-145Cover, Fan, (Winterguard)	2
18B	AC033-142Cover, Coil, (Winterguard)	1
18C	AC801-412F25Gasket, Trim Seal, Black (25 Ft. Roll)	1

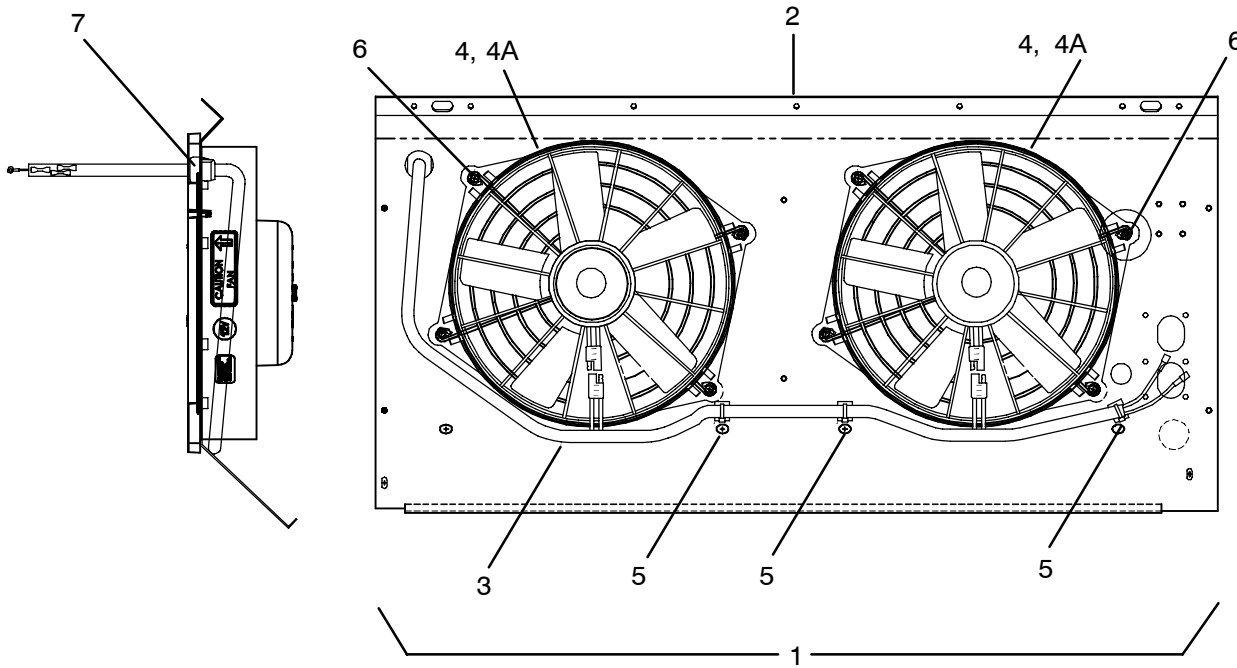
2.1.2 CONDENSER, CM-2, MCHX, VENTURI ASSEMBLY



REFERENCE KIT 77-01286-00 A

Item	Part Number	Description	Qty
1	79-62021-04	Venturi Assembly, CM-2 12VDC - Includes:	1
2	68-62500-00	...Panel, Venturi. Painted Black	1
3	22-62206-00	...Harness, Connector, CM-2 - Includes:	1
3A	22-50078-72Connector, Male	1
3B	22-50078-46ATerminal, Male	2
3C	22-50078-50ASeal, Cable	2
3D	22-50078-72ALock, Secondary	1
3E	22-50098-67Connector, 2 Pin Black	1
3F	22-50098-67BTerminal, Male	2
3G	22-50098-67DSeal, Cable	2
4	54-00618-01	...Fan & Motor Assembly, Vector, 12V W/Fuse (No Repl. Motor) Includes:	2
4A	22-02336-25Fuse, 20 Amp	1
5	66U1-3882	...Wire Tie, Self-Locking, 7.00 Inches, Black	3
6	34-62011-00	...Screw, Hex Head, With Lock & Flat Washers, 1/4-20 x 1 Inch Long, SST	8
7	58-62019-00	...Bushing, Strain Relief	1

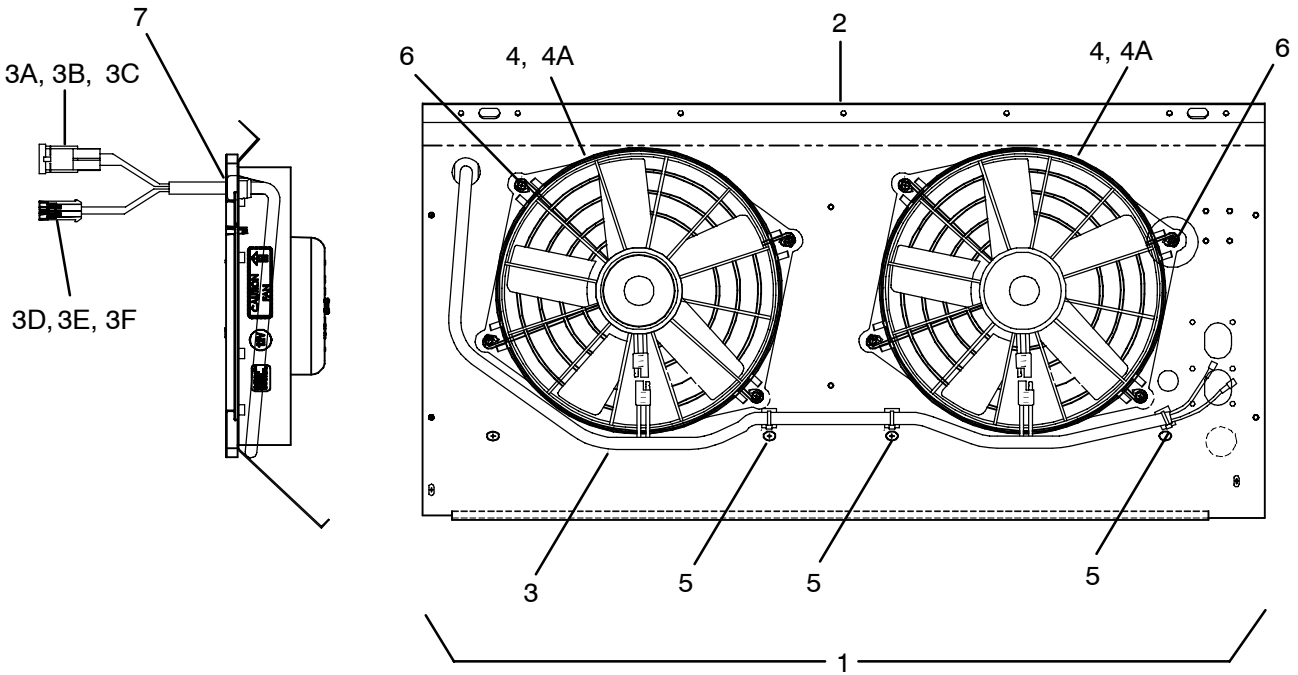
2.1.3 CONDENSER, CM-2, MCHX, VENTURI ASSEMBLY



REFERENCE KIT 77-01286-01 A

Item	Part Number	Description	Qty
1	79-62021-00	Venturi Assembly, CM-2 12VDC - Includes:	1
2	68-62500-00	...Panel, Venturi. Painted Black	1
3	22-62123-00	...Harness, Condenser, CM-2	1
4	54-00618-01	...Fan & Motor Assembly, Vector, 12V, W/Fuse (No Repl. Motor) Includes:	2
4A	22-02336-25Fuse, 20 Amp	1
5	66U1-3882	...Wire Tie, Self-Locking, 7.00 Inches, Black	3
6	34-62011-00	...Screw, Hex Head, With Lock & Flat Washers, 1/4-20 x 1 Inch Long, SST	8
7	58-62019-00	...Bushing, Strain Relief	1

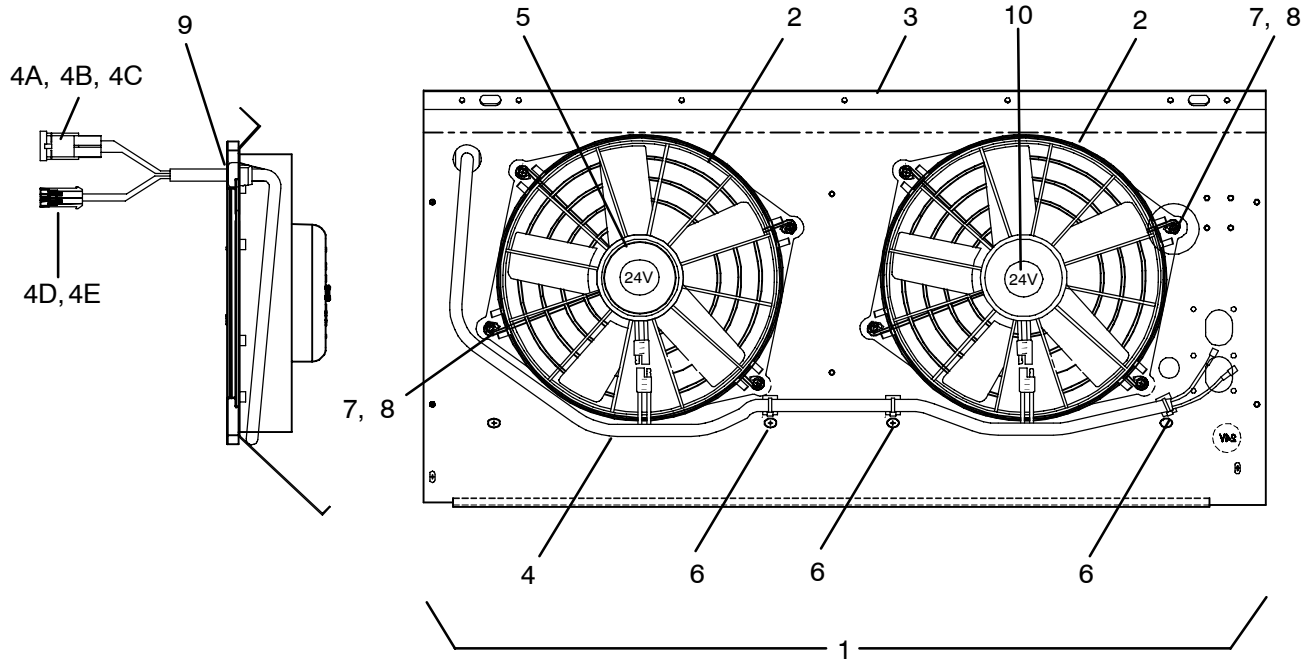
2.1.4 CONDENSER, CM-2, MCHX, VENTURI ASSEMBLY



REFERENCE KIT 77-01286-03 D

Item	Part Number	Description	Qty
1	79-62021-06	Venturi Assembly, CM-2 12VDC - Includes:	1
2	68-62500-00	...Panel, Venturi. Painted Black	1
3	22-62260-00	...Harness, Condenser, CM-2 - Includes:	1
3A	22-02392-00Connector, Male, 2 Pin Black	1
3B	22-02393-01Terminal, Male, (18-20 AWG)	2
3C	22-02394-00Seal, Cable, Gray	2
3D	22-50078-40Connector, 2 Pin, Female, Black	1
3E	22-50098-67BTerminal, Female, (10 AWG)	2
3F	22-50098-67DSeal, Cable, Orange	2
4	54-00618-01	...Fan & Motor Assembly, Vector, 12V W/Fuse (No Repl. Motor) Includes:	2
4A	22-02336-25Fuse, 20 Amp	1
5	66U1-3882	...Wire Tie, Self-Locking, 7.00 Inches, Black	3
6	34-62011-00	...Screw, Hex Head, With Lock & Flat Washers, 1/4-20 x 1 Inch Long, SST	8
7	58-62019-00	...Bushing, Strain Relief	1

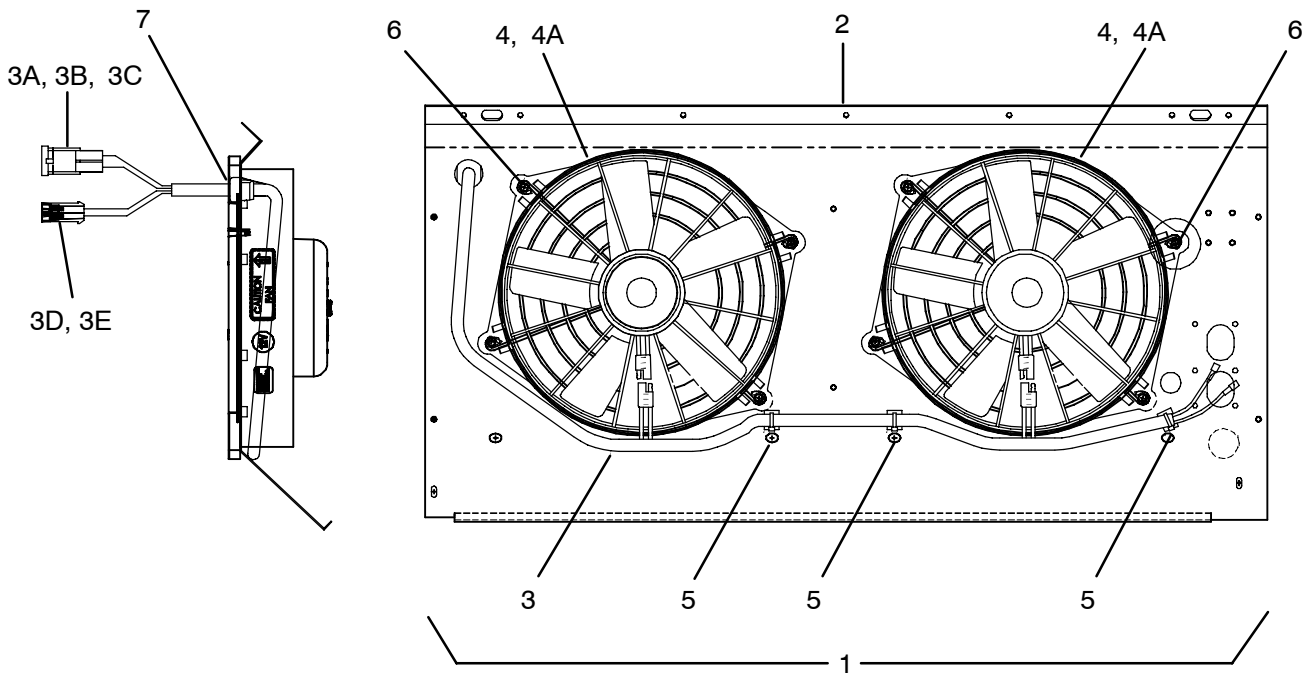
2.1.5 CONDENSER, CM-2, MCHX, VENTURI ASSEMBLY (24V)



REFERENCE KIT 77-01286-60

Item	Part Number	Description	Qty
1	79-62021-07	Venturi Assembly, CM-2 24VDC - Includes:	1
2	AC030-234	...Guard, Fan, Condenser	2
3	68-62500-00	...Panel, Venturi. Painted Black	1
4	22-62273-00	...Harness, Condenser, CM-2 - Includes:	1
4A	22-02392-00Connector, 2 Pin, Black	1
4B	22-02393-01Terminal, Male, (18-20 AWG)	2
4C	22-02394-00Seal, Cable, Gray	2
4D	22-50371-00Connector, 2 Pin	1
4E	22-50372-00Terminal, Male (8 AWG)	2
5	54-00545-00	...Fan & Motor Assembly, 24V	2
6	66U1-3882	...Wire Tie, Self-Locking, 7.00 Inches, Black	3
7	34-62011-00	...Screw, Hex Head, With Lock & Flat Washers, 1/4-20 x 1 Inch Long, SST	8
8	34-00662-11	...Washer, Plain, 1/4, SST	8
9	58-62019-00	...Bushing, Strain Relief	1
10	62-62008-00	...Label, 24V	3

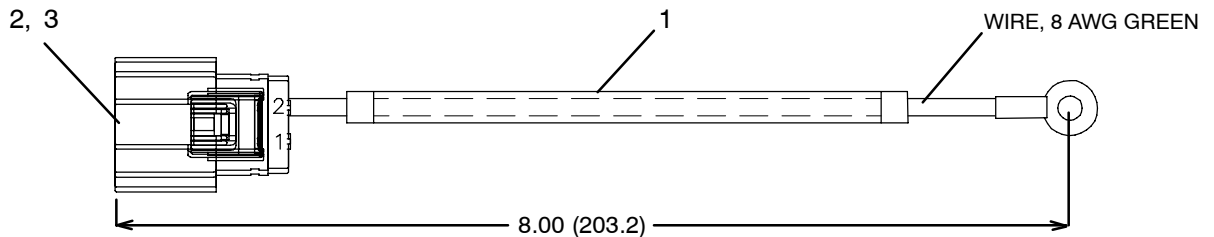
2.1.6 CONDENSER, CM-2, MCHX, VENTURI ASSEMBLY (12V)



REFERENCE KIT 77-01286-00

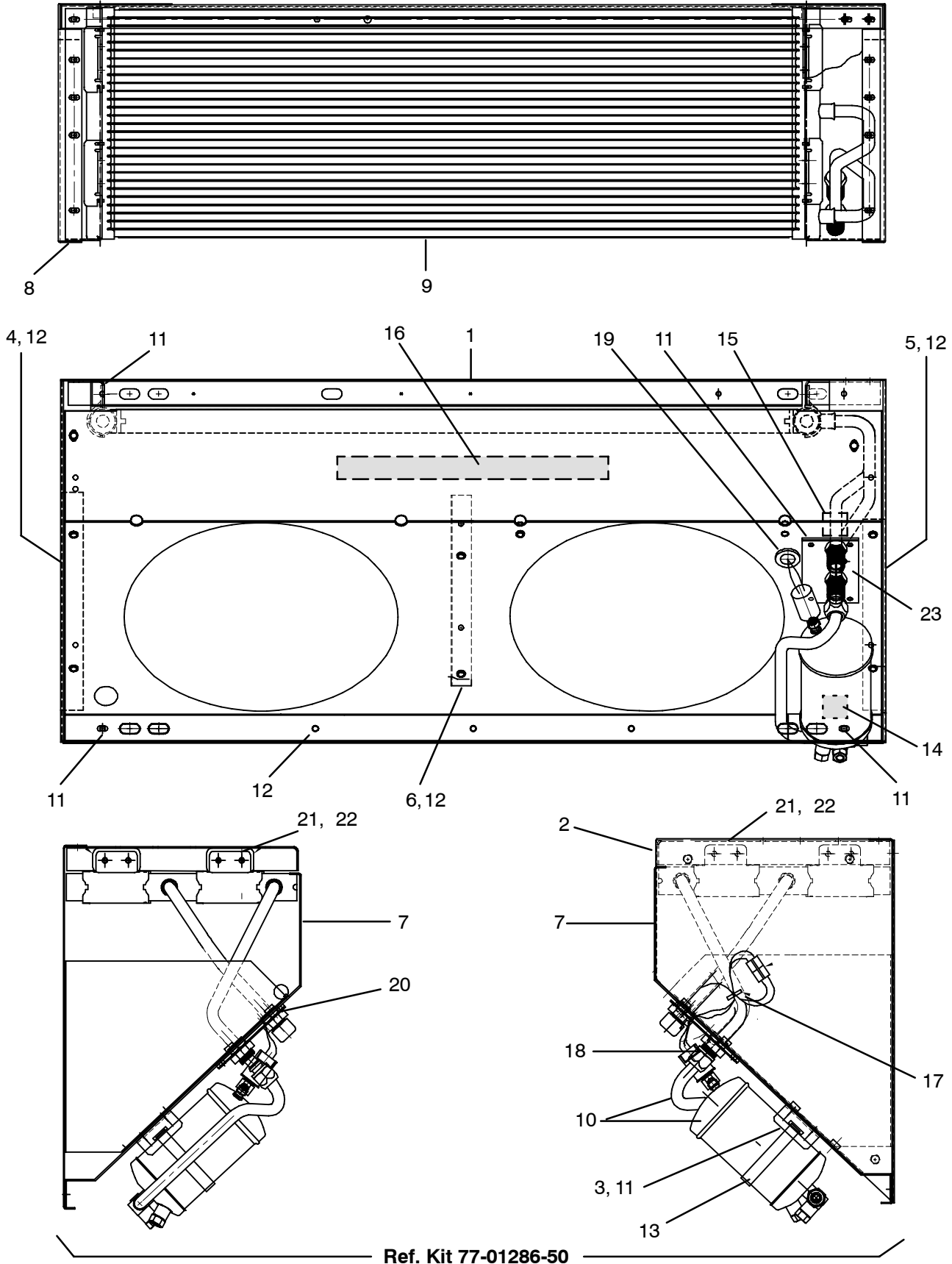
Item	Part Number	Description	Qty
1	79-62021-08	Venturi Assembly, CM-2 12VDC - Includes:	1
2	68-62500-00	...Panel, Venturi. Painted Black	1
3	22-62273-00	...Harness, Condenser, CM-2 - Includes:	1
3A	22-02392-00Connector, Male, 2 Pin Black	1
3B	22-02393-01Terminal, Male, (18-20 AWG)	2
3C	22-02394-00Seal, Cable, Gray	2
3D	22-50371-00Connector, 2 Pin	1
3E	22-50372-00Terminal, Male, (10 AWG)	2
4	54-00618-01	...Fan & Motor Assembly, Vector, 12V, W/Fuse (No Repl. Motor) Includes:	2
4A	22-02336-25Fuse, 20 Amp	1
5	66U1-3882	...Wire Tie, Self-Locking, 7.00 Inches, Black	3
6	34-62011-00	...Screw, Hex Head, With Lock & Flat Washers, 1/4-20 x 1 Inch Long, SST	8
7	58-62019-00	...Bushing, Strain Relief	1

2.1.7 CM-2, CONDENSER GROUND/POWER HARNESS



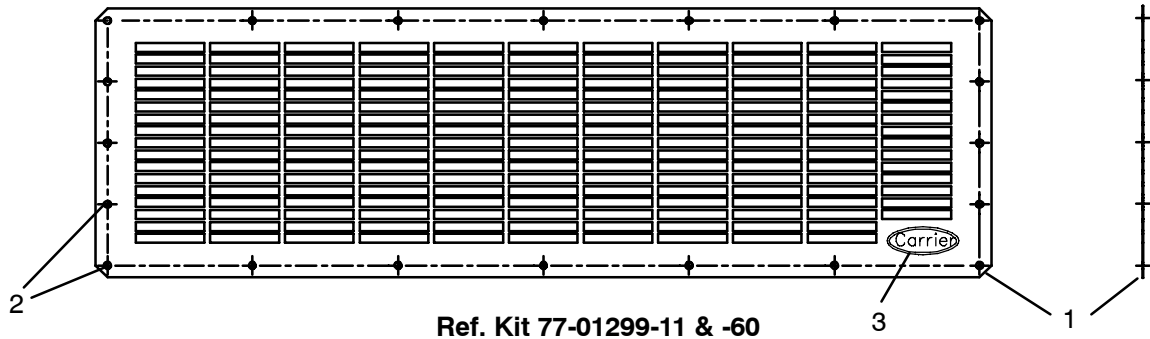
Item	Part Number	Description	Qty
1	22-62277-00	Harness, Condenser - Includes:	1
2	22-50099-28	...Housing, Receptacle, 2 Pin, Black	1
3	22-50099-28A	...Terminal, Female (8 AWG)	1

2.1.8 CONDENSER COIL REPLACEMENT KIT, CM-2, MICRO-CHANNEL (MCHX)



2.1.8 CONDENSER COIL REPLACEMENT KIT, CM-2, MICRO CHANNEL (MCHX) - Cont:			
Item	Part Number	Description	Qty
-	77-01286-50	CM-2 Service Chassis Kit - Includes:	1
1	86-62220-00	...Top Panel Assembly, Painted Black	1
2	68-15397-00	...Bracket, Coil, Painted	1
3	AC033-115	...Channel, Drier Mounting, Painted Black	1
4	AC033-203	...Pane Assemblyl, Left Side, Painted Black	1
5	AC033-204	...Panel Assembly, Right Side, Painted Black	1
6	AC033-211	...Baffel, Condenser, Painted Black	1
7	68-62500-00	...Panel, Venturi, Painted Black	1
8	68-15450-00	...Bracket, Coil	1
9	NSS	...Coil, Condenser, CM-2, MCHX (08-00312-01)	1
10	65-00193-00	...Receiver, With Filter Drier	1
11	AC701-400	...Rivet, Pop, 3/16, Steel	19
12	AC701-401	...Rivet, Pop, 3/16, Steel	31
13	44-00045-19	...Clamp, Hose, Worm Type, Range: 2.56-3.50 Inches	1
14	62-62042-15	...Label, "Liquid Out"	1
15	62-62042-14	...Label, "Hot Gas In"	1
16	62-62045-00	...Label, "Warning- Fan Blades"	1
17	66U1-3882	...Wire Tie, Self-Locking, 7.00 Inches, Black	4
18	AC201-414	...Switch, High Pressure, 400 - 300	1
19	58-04764-00	...Grommet, .25 ID x .84 Groove	1
20	34-06088-07	...Nut, Hex, Jam, 3/4-16	2
21	58-04026-75	...Protector, Mylar, Coil Mounting	4
22	34-06053-12	...Washer, .200 ID x .400 OD	8
23	68-08106-00	...Plate, Retainer, Fittings	1

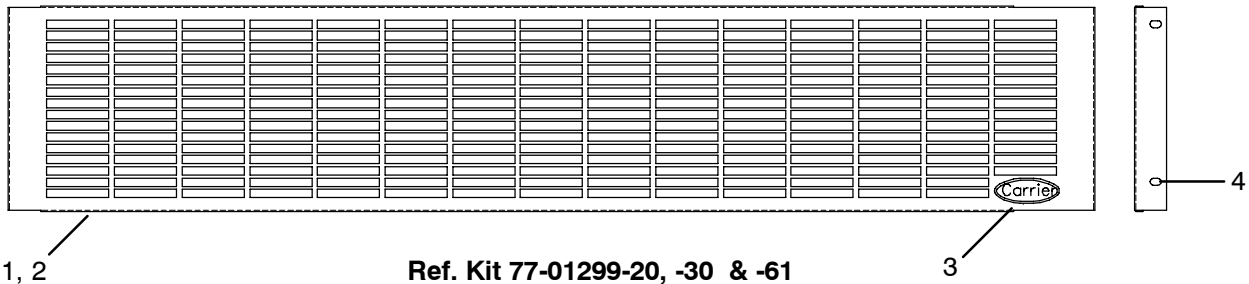
2.1.9 CONDENSER, CM-2, MCHX, GRILL ASSEMBLY



Ref. Kit 77-01299-11 & -60

Item	Part Number	Description	Qty
1	68-08122-01	Grill, Skirt Mounted, 37.50 x 11.25 Inches (Black Smooth)	1
2	34-01317-00	Screw, Pan Head, Phillips, #10-16 x 0.75" TEK	20
3	AC022-289	Decal, Carrier Emblem	1

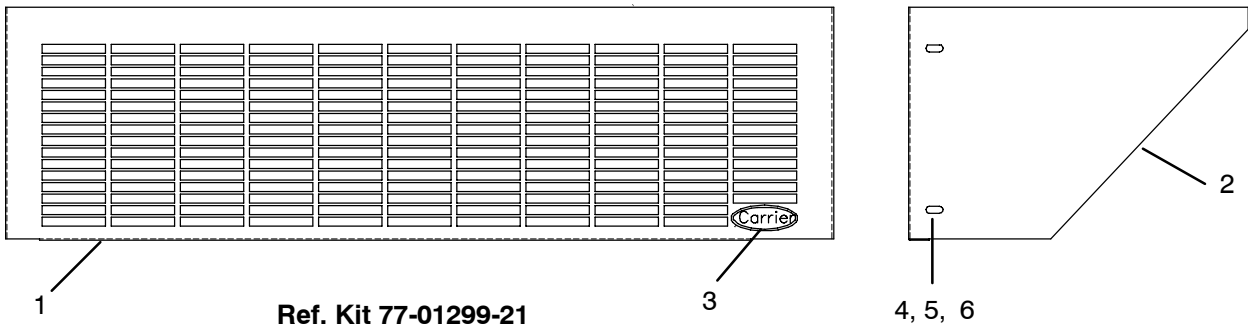
2.1.9 CONDENSER, CM-2, MCHX, GRILL ASSEMBLY



Ref. Kit 77-01299-20, -30 & -61

Item	Part Number	Description	Qty
1	79-62014-20	Grill Assembly, Condenser - Includes:	1
2	68-08124-00	...Grill, Condenser, Black Texture	1
3	AC022-289	...Decal, Carrier Emblem	1
4	34-62011-00	Bolt, Hex Head, SEMS, With Lock Washer, 1/4-20 x 1 Inch Long, SST	4

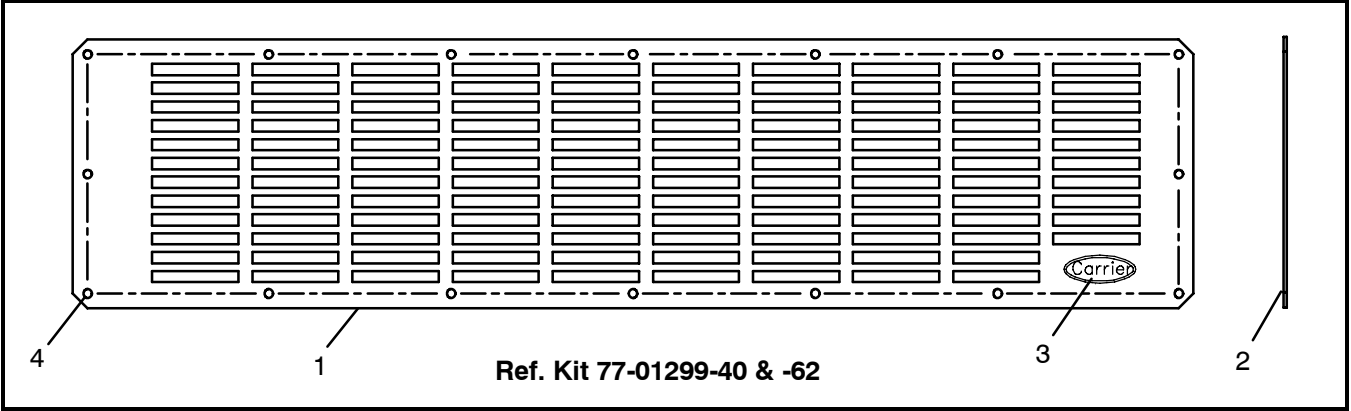
2.1.9 CONDENSER, CM-2, MCHX, GRILL ASSEMBLY



Ref. Kit 77-01299-21

Item	Part Number	Description	Qty
1	79-62014-21	Grill Assembly, Condenser - Includes:	1
2	68-62494-00	...Wrapper, Condenser, White	1
3	AC022-289	...Decal, Carrier Emblem	1
4	34-62011-00	Bolt, Hex Head, SEMS, With Lock Washer, 1/4-20 x 1 Inch Long, SST	4
5	AC801-414	Gasket, Foam, 3/8 x 1.00 x 25 Feet Long	1
6	AC033-144	Plate Assembly, Mounting, Painted	1

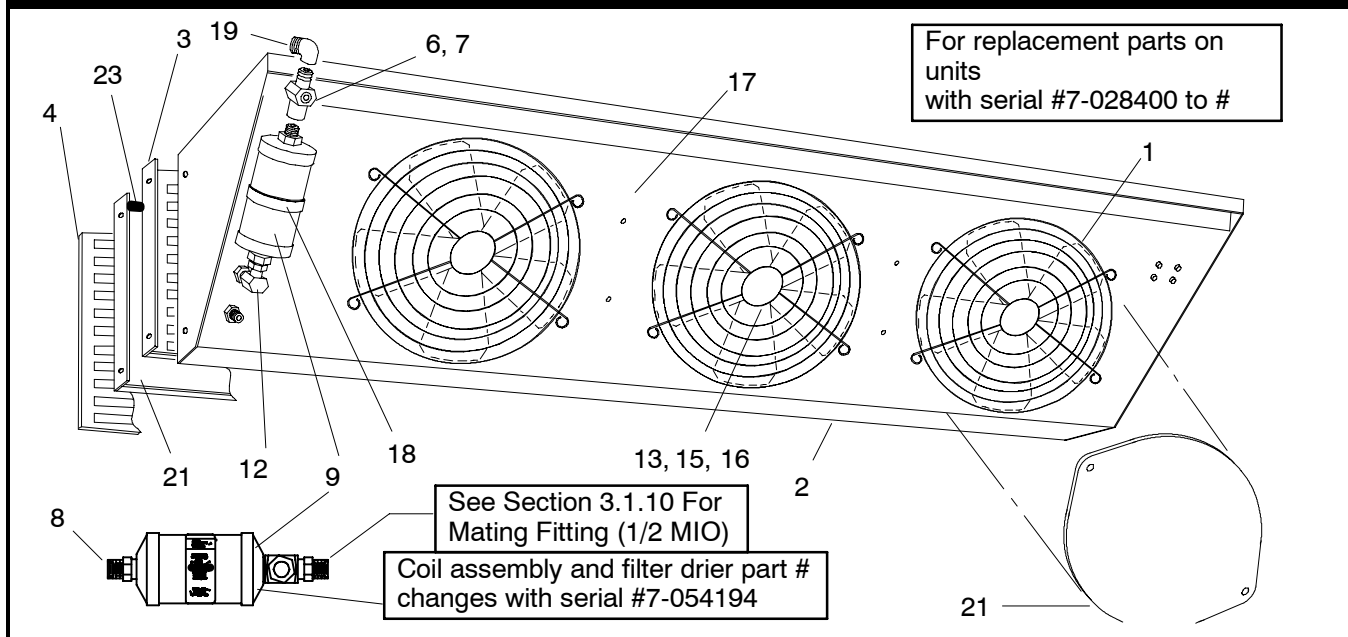
2.1.10 CONDENSER, CM-2, MCHX, GRILL ASSEMBLY



Item	Part Number	Description	Qty
1	79-62014-24	Grille Assembly, Condenser - Includes:	1
2	AC033-150	...Grille, Condenser, Painted	1
3	AC022-289	...Decal, Carrier Emblem	1
4	34-62045-00	Screw, Pan Head, Phillips, #10-16 x 0.75" TEK	16

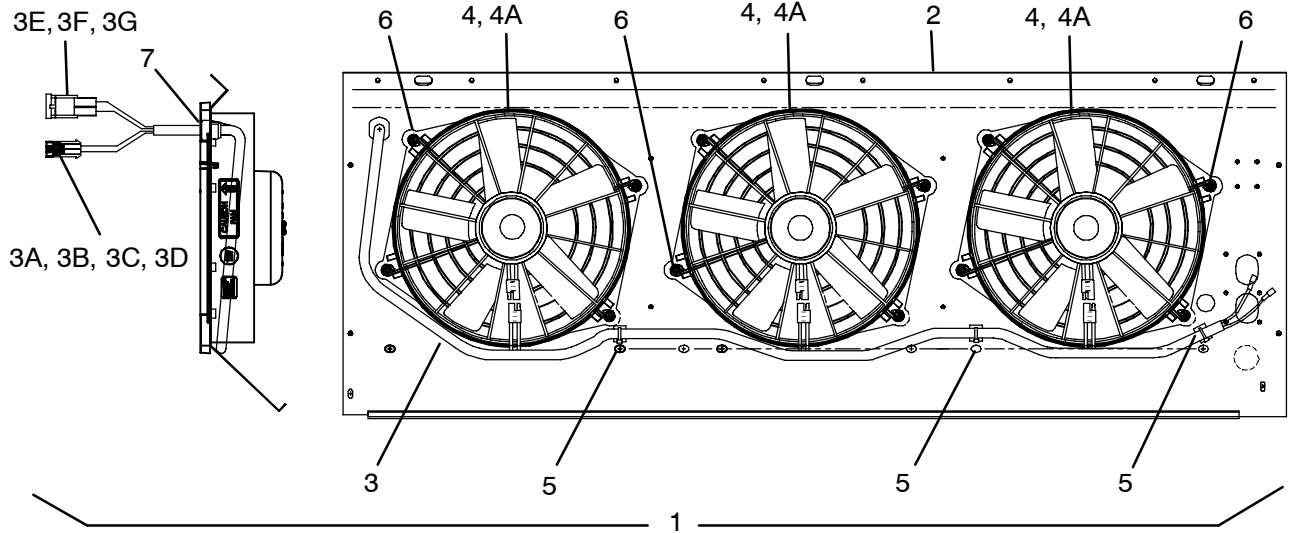
SECTION 2.2 CM-3 CONDENSERS

2.2.1 CONDENSER, CM-3, GEN 4



Item	Part Number	Description	Qty
1	AC030-234	Guard, Fan (Not used with 54-00618-01)	3
2	AC033-220	Coil Assembly, With Pressure Switches, (Before serial #7-054194)	1
	08-62035-01	Coil Assembly (Beginning w/serial #7-054194)	1
3	AC033-133P	Grill, Condenser Mounted, Black	1
	68-15461-00	Grill, Condenser Mounted, Black (MCHX)	1
4	AC033-135	Grill, Bus Skirt Mounted	1
5	AC033-144	Assembly, Tab, (Used with Condenser Mounted Grill)	1
6	AC101-200	Sightglass	1
7	AC801-220	O-Ring, 1/2 Inch MF-O, (Old)	2
8	AC801-202	O-Ring, 1/2 Inch HNBR, (New)	2
9	AC101-312	Filter Drier, 16 Cubic Inch, 1/2 Inch MFL-O, (Before serial #7-054194)	1
	14-00288-00	Filter Drier/Sightglass Combination, (Beginning with serial #7-054194)	1
10	AC201-414	Switch, High Pressure	1
11	AC201-412	Switch, Low Pressure	1
12	AC301-441	Fitting, Swivel Union, 1/2 Inch Female Flare X 1/2 Inch Female Flare (Old)	1
	40-62036-00	Fitting, Swivel Union, 1/2 Inch Female O-Ring X 1/2 Inch Female O-Ring	1
13	54-00618-01	Fan & Motor Assy, Vector, 12V W/Fuse, (No Repl. Motor) Includes:	3
	AC401-110	Assembly, Fan, 12 VDC - Includes:	3
13A	22-02336-25	...Fuse, 20 Amp	1
14	54-50080-00	...Motor, Fan, 12 VDC	1
	44-50024-00	...Clip, Fan Blade	1
15	CM205-197	Assembly, Fan, 24 VDC	3
16	22-62124-00	Harness, Condenser, CM-3	1
17	68-62501-00	Panel Assembly, Venturi	1
18	AC701-269	Clamp, Worm Gear, (Filter Drier)	1
19	DD12CA201	Fitting, 90°, 1/2 Inch Male Flare X 1/2 Inch Female Flare, (Brass)	1
20	AC033-147	Kit, Winterization, Consisting Of:	1
21	AC033-145Cover, Fan, (Winterguard)	3
22	AC033-143Cover, Coil, (Winterguard)	1
23	AC801-412F25Gasket, Trim Seal, Black (25 Ft. Roll)	1

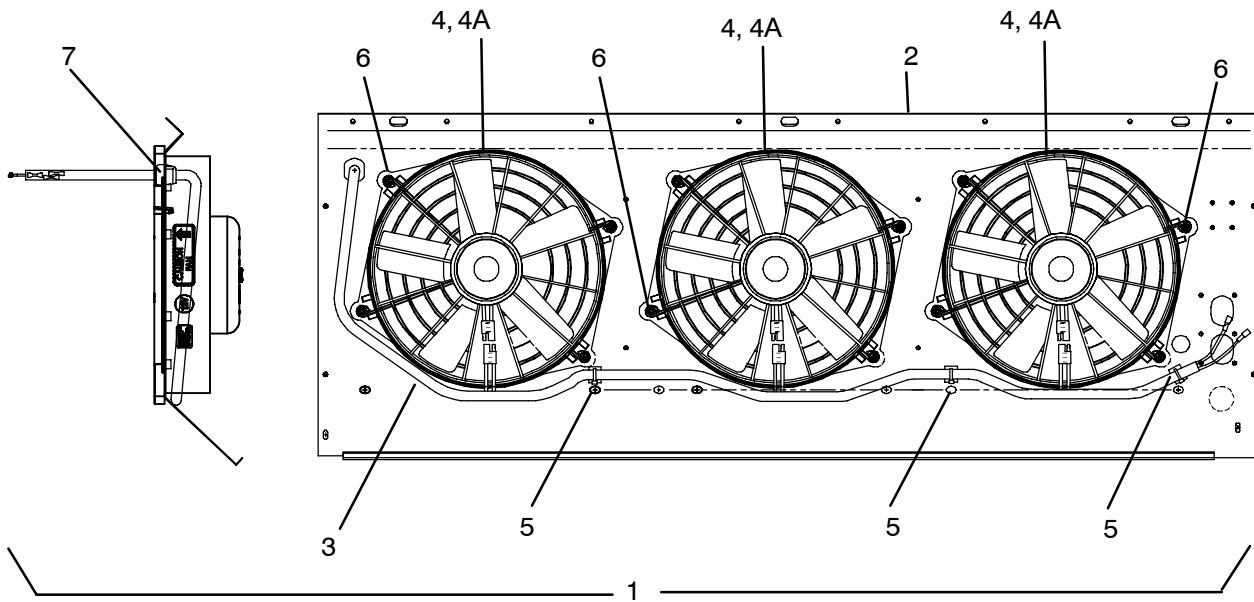
2.2.2 CONDENSER, CM-3, MCHX, VENTURI ASSEMBLY



REFERENCE CHASSIS KIT 77-01277-00 C

Item	Part Number	Description	Qty
1	79-62022-04	Venturi Assembly, CM-3 12VDC - Includes:	1
2	68-62501-00	...Panel, Venturi. Painted Black	1
3	22-62205-00	...Harness, Connector, CM-3 - Includes:	1
3A	22-50078-72Connector, Male	1
3B	22-50078-46ATerminal, Male	2
3C	22-50078-50ASeal, Cable	2
3D	22-50078-72ALock, Secondary	1
3E	22-50098-67Connector, 2 Pin Black	1
3F	22-50098-67BTerminal, Male	2
3G	22-50098-67DSeal, Cable	2
4	54-00618-01	...Fan & Motor Assembly, Vector, 12V W/Fuse (No Repl. Motor) Includes:	3
4A	22-02336-25Fuse, 20 Amp	1
5	66U1-3882	...Wire Tie, Self-Locking, 7.00 Inches, Black	3
6	34-62011-00	...Screw, Hex Head, With Lock & Flat Washers, 1/4-20 x 1 Inch Long, SST	12
7	58-62019-00	...Bushing, Strain Relief	1

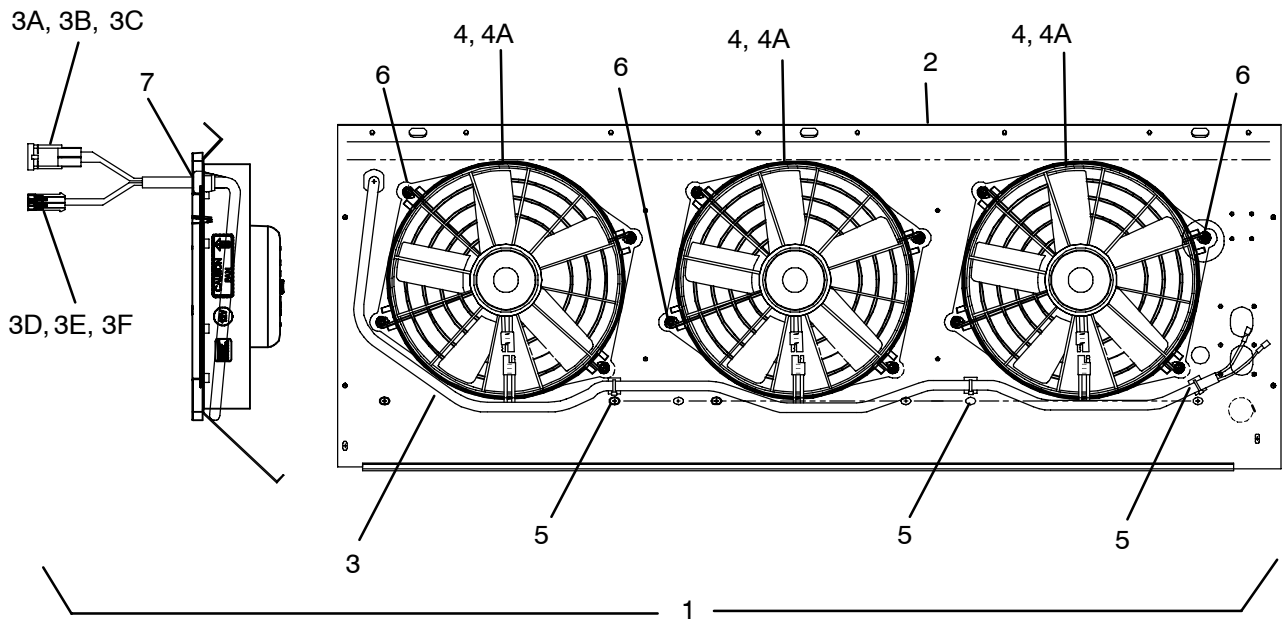
2.2.3 CONDENSER, CM-3, MCHX, VENTURI ASSEMBLY



REFERENCE CHASSIS KIT 77-01277-01

Item	Part Number	Description	Qty
1	79-62022-00	Venturi Assembly, CM-3 12VDC - Includes:	1
2	68-62501-00	...Panel, Venturi. Painted Black	1
3	22-62124-00	...Harness, Connector, CM-3	1
4	54-00618-01	...Fan & Motor Assembly, Vector, 12V W/Fuse (No Repl. Motor) Includes:	3
4A	22-02336-25Fuse, 20 Amp	1
5	66U1-3882	...Wire Tie, Self-Locking, 7.00 Inches, Black	3
6	34-62011-00	...Screw, Hex Head, With Lock & Flat Washers, 1/4-20 x 1 Inch Long, SST	12
7	58-62019-00	...Bushing, Strain Relief	1

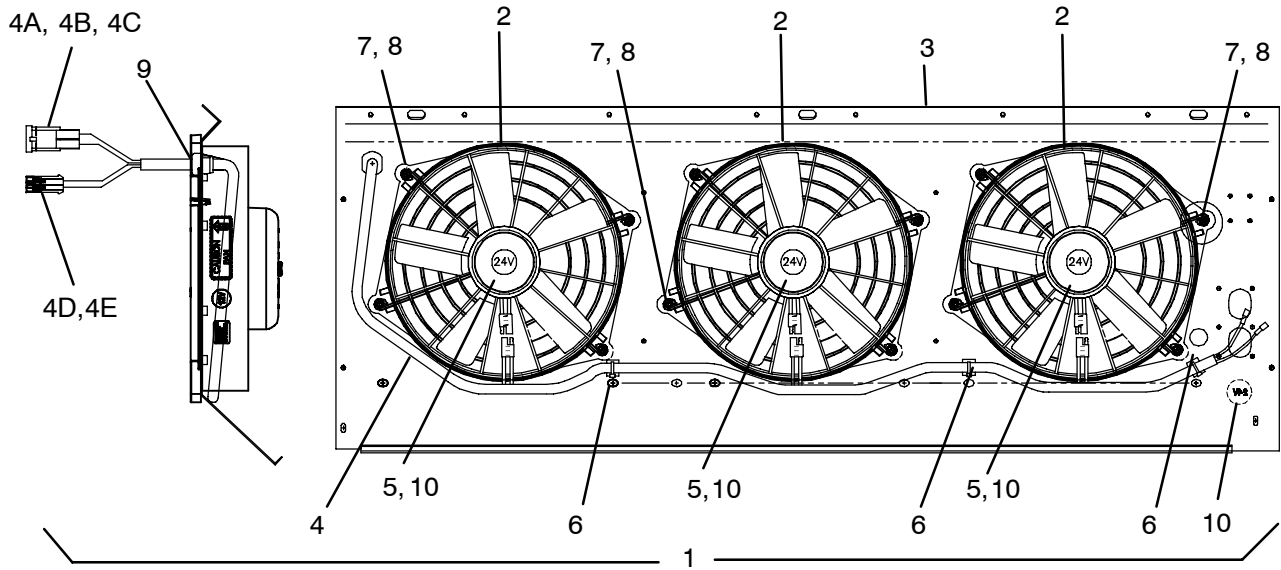
2.2.4 CONDENSER, CM-3, MCHX, VENTURI ASSEMBLY



REFERENCE CHASSIS KIT 77-01277-04

Item	Part Number	Description	Qty
1	79-62022-07	Venturi Assembly, CM-3 12VDC - Includes:	1
2	68-62501-00	...Panel, Venturi. Painted Black	1
3	22-62258-00	...Harness, Connector, CM-3 - Includes:	1
3A	22-02392-00Connector, Male, 2 Pin Black	1
3B	22-02393-01Terminal, Male, (18-20 AWG)	2
3C	22-02394-00Seal, Cable, Gray	2
3D	22-50078-40Connector, 2 Pin, Female, Black	1
3E	22-50078-48GTerminal, Female, (10 AWG)	2
3F	22-50078-52ESeal, Cable, Orange	2
4	54-00618-01	...Fan & Motor Assembly, Vector, 12V/Fuse (No Repl. Motor) Includes:	3
4A	22-02336-25Fuse, 20 Amp	1
5	66U1-3882	...Wire Tie, Self-Locking, 7.00 Inches, Black	3
6	34-62011-00	...Screw, Hex Head, With Lock & Flat Washers, 1/4-20 x 1 Inch Long, SST	12
7	58-62019-00	...Bushing, Strain Relief	1

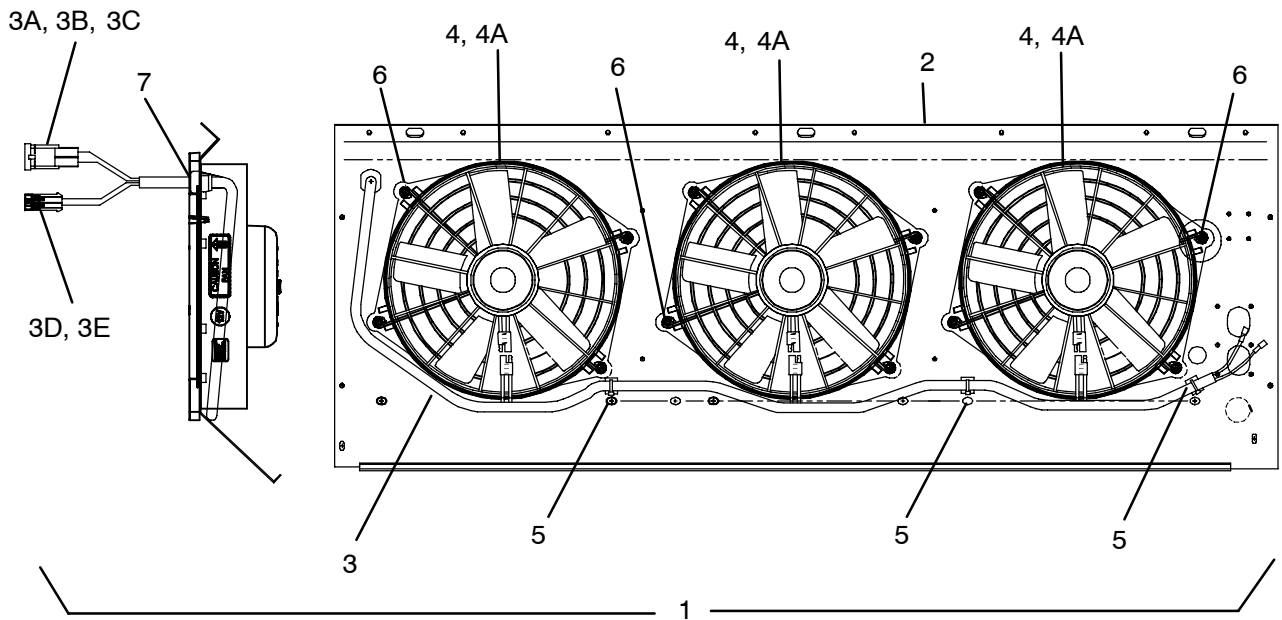
2.2.5 CONDENSER, CM-3, MCHX, VENTURI ASSEMBLY



REFERENCE CHASSIS KIT 77-01277-60 F

Item	Part Number	Description	Qty
1	79-62022-08	Venturi Assembly, CM-3 24VDC - Includes:	1
2	AC030-234	...Guard, Fan, Condenser	3
3	68-62501-00	...Panel, Venturi. Painted Black	1
4	22-62272-00	...Harness, Connector, CM-3 - Includes:	1
4A	22-02392-00Connector, 2 Pin, Black	1
4B	22-02393-01Terminal, Male, (18-20 AWG)	2
4C	22-02394-00Seal, Cable, Gray	2
4D	22-50371-00Connector, 2 Pin	1
4E	22-50372-00Terminal, Male (8 AWG)	2
5	54-00545-00	...Fan & Motor Assembly, 24V	3
6	66U1-3882	...Wire Tie, Self-Locking, 7.00 Inches, Black	3
7	34-62011-00	...Screw, Hex Head, With Lock & Flat Washers, 1/4-20 x 1 Inch Long, SST	12
8	34-00662-11	...Washer, Plain, 1/4, SST	12
9	58-62019-00	...Bushing, Strain Relief	1
10	62-62008-00	...Label, 24V	4

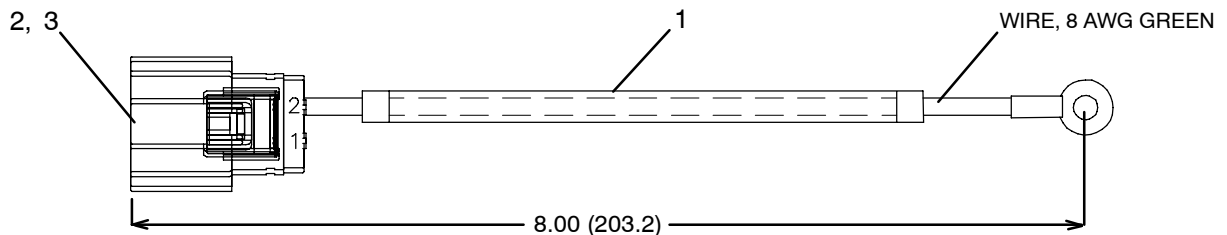
2.2.6 CONDENSER, CM-3, MCHX, VENTURI ASSEMBLY



REFERENCE CHASSIS KIT 77-01277-05 F

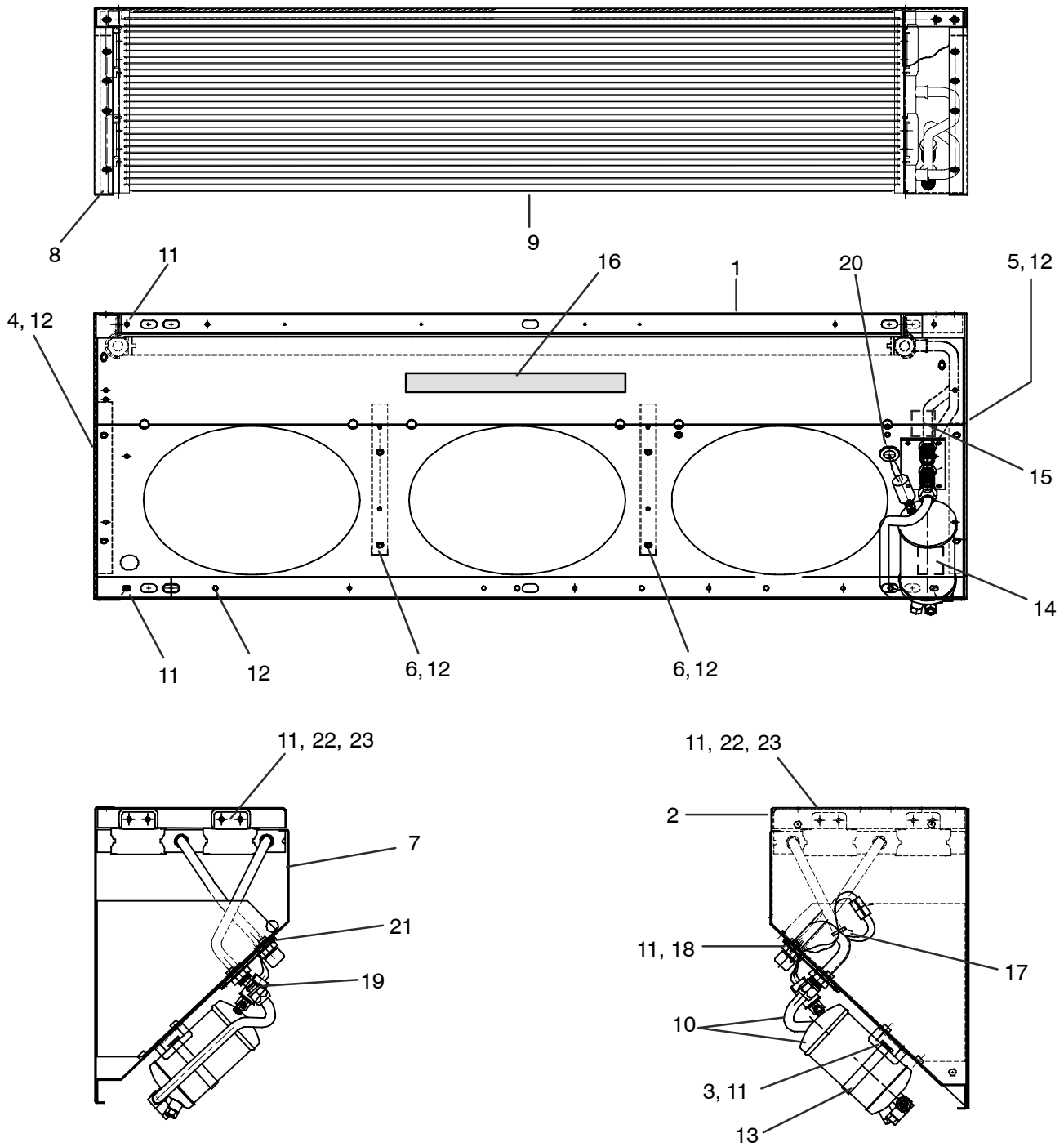
Item	Part Number	Description	Qty
1	79-62022-09	Venturi Assembly, CM-3 12VDC - Includes:	1
2	68-62501-00	...Panel, Venturi. Painted Black	1
3	22-62272-00	...Harness, Connector, CM-3 - Includes:	1
3A	22-02392-00Connector, 2 Pin, Black	1
3B	22-02393-01Terminal, Male, (18-20 AWG)	2
3C	22-02394-00Seal, Cable, Gray	2
3D	22-50371-00Connector, 2 Pin	1
3E	22-50372-00Terminal, Male, (8 AWG)	2
4	54-00618-01	...Fan & Motor Assembly, Vector, 12V W/Fuse (No Repl. Motor) Includes:	3
4A	22-02336-25Fuse, 20 Amp	1
5	66U1-3882	...Wire Tie, Self-Locking, 7.00 Inches, Black	3
6	34-62011-00	...Screw, Hex Head, With Lock & Flat Washers, 1/4-20 x 1 Inch Long, SST	12
7	58-62019-00	...Bushing, Strain Relief	1

2.2.7 CM-3, CONDENSER GROUND/POWER HARNESS



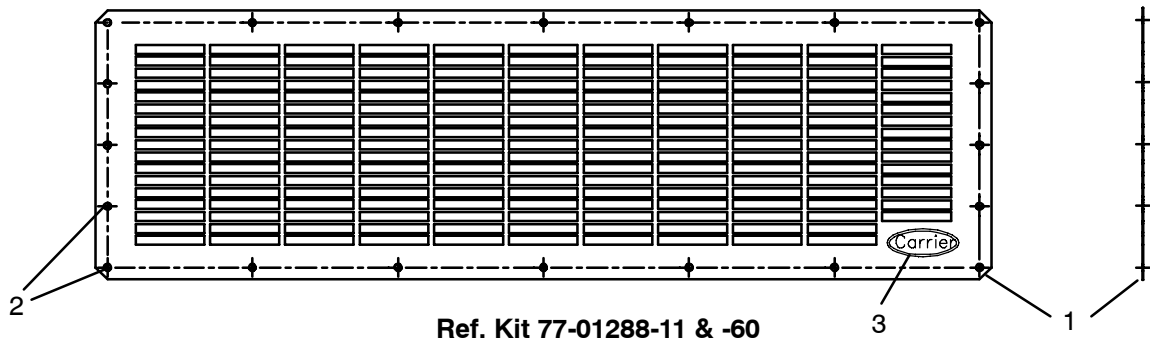
Item	Part Number	Description	Qty
1	22-62277-00	Harness, Condenser - Includes:	1
2	22-50099-28	...Housing, Receptacle, 2 Pin, Black	1
3	22-50099-28A	...Terminal, Female (8 AWG)	1

2.2.8 CONDENSER, CM-3, MCHX, REPLACEMENT CHASSIS (77-01277-50)



2.2.8 CONDENSER, CM-3, MCHX, REPLACEMENT CHASSIS (77-01277-50 D) - Continued:			
Item	Part Number	Description	Qty
-	77-01277-50	CM-3 Service Chassis Kit - Includes:	1
1	86-62221-00	...Top Panel Assembly, Painted Black	1
2	68-15397-00	...Bracket, Coil, Painted	1
3	AC033-115	...Channel, Drier Mounting, Painted Black	1
4	AC033-203	...Pane Assemblyl, Left Side, Painted Black	1
5	AC033-204	...Panel Assembly, Right Side, Painted Black	1
6	AC033-211	...Baffel, Condenser, Painted Black	2
7	68-62501-00	...Panel, Venturi, Painted Black	1
8	68-15398-00	...Bracket, Coil	1
9	NSS	...Coil, Condenser, CM-3, MCHX (08-00312-00)	1
10	65-00193-00	...Receiver, With Filter Drier	1
11	AC701-400	...Rivet, Pop, 3/16, Steel	19
12	AC701-401	...Rivet, Pop, 3/16, Steel	31
13	44-00045-19	...Clamp, Hose, Worm Type, Range: 2.56-3.50 Inches	1
14	62-62042-15	...Label, " Liquid Out "	1
15	62-62042-14	...Label, " Hot Gas In "	1
16	62-62045-00	...Label, " Warning- Fan Blades "	1
17	66U1-3882	...Wire Tie, Self-Locking, 7.00 Inches, Black	4
18	68-08106-00	...Plate, Retainer, Fittings	1
19	AC201-414	...Switch, High Pressure, 400 - 300	1
20	58-04764-00	...Grommet, .25 ID x .84 Groove	1
21	34-06088-07	...Nut, Hex, Jam, 3/4-16	2
22	58-04026-75	...Protector, Mylar, Coil Mounting	4
23	34-06053-12	...Washer, Mylar	8

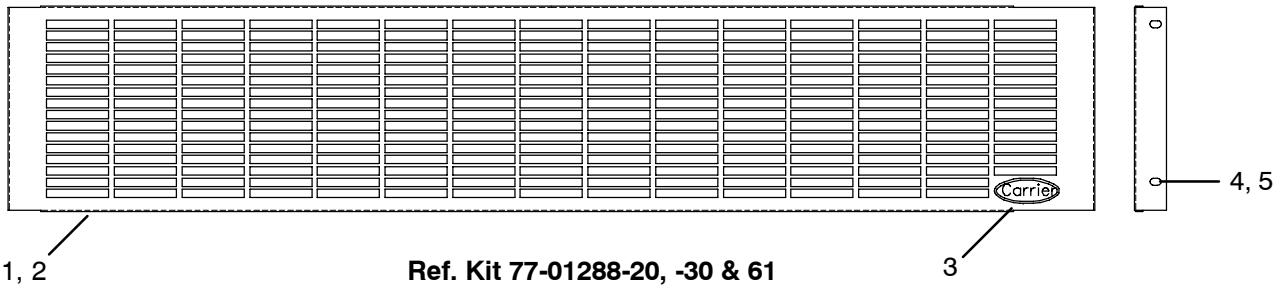
2.2.9 CONDENSER, CM-3, MCHX, GRILL ASSEMBLY



Ref. Kit 77-01288-11 & -60

Item	Part Number	Description	Qty
1	68-08121-01	Grill, Skirt Mounted, (Black Smooth)	1
2	34-01371-00	Screw, Pan Head, Phillips, #10-16 x 0.75" TEK	24
3	AC022-289	Decal, Carrier Emblem	1

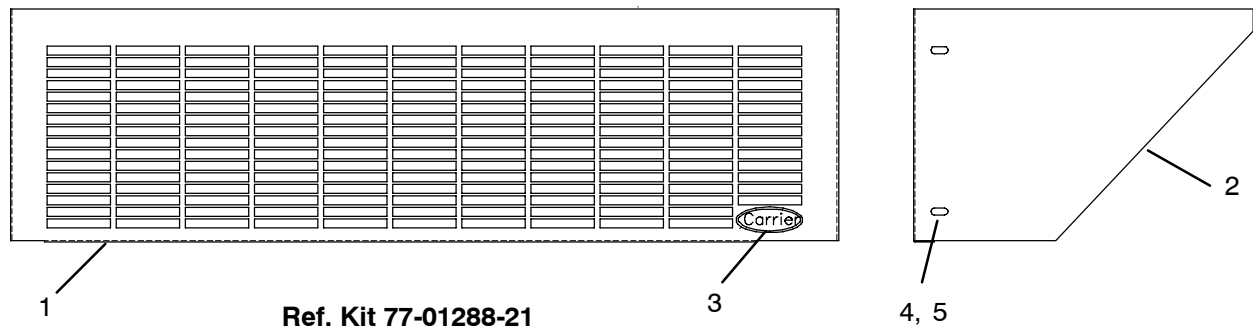
2.2.9 CONDENSER, CM-3, MCHX, GRILL ASSEMBLY



Ref. Kit 77-01288-20, -30 & 61

Item	Part Number	Description	Qty
1	79-62014-30	Grill Assembly, Condenser - Includes:	1
2	68-08123-00	...Grill, Condenser, Black Tecture	1
3	AC022-289	...Decal, Carrier Emblem	1
4	AC033-144	Plate Assembly, Mounting, Painted	1
5	34-62011-00	Bolt, Hex Head, SEMS, With Lock Washer, 1/4-20 x 1 Inch Long, SST	5

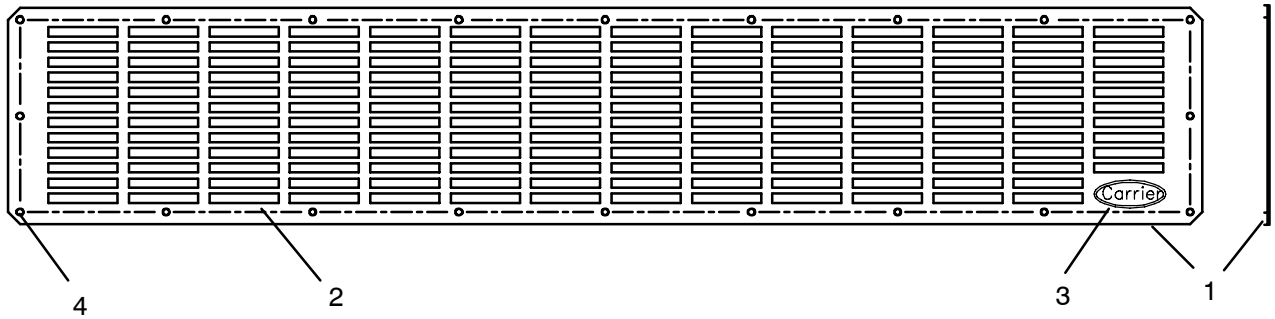
2.2.9 CONDENSER, CM-3, MCHX, GRILL ASSEMBLY



Ref. Kit 77-01288-21

Item	Part Number	Description	Qty
1	79-62014-35	Grill Assembly, Condenser - Includes:	1
2	68-62495-00	...Wrapper, Condenser, White	1
3	AC022-289	...Decal, Carrier Emblem	1
4	AC033-144	Plate Assembly, Mounting, Painted	1
5	34-62011-00	Bolt, Hex Head, SEMS, With Lock Washer, 1/4-20 x 1 Inch Long, SST	7

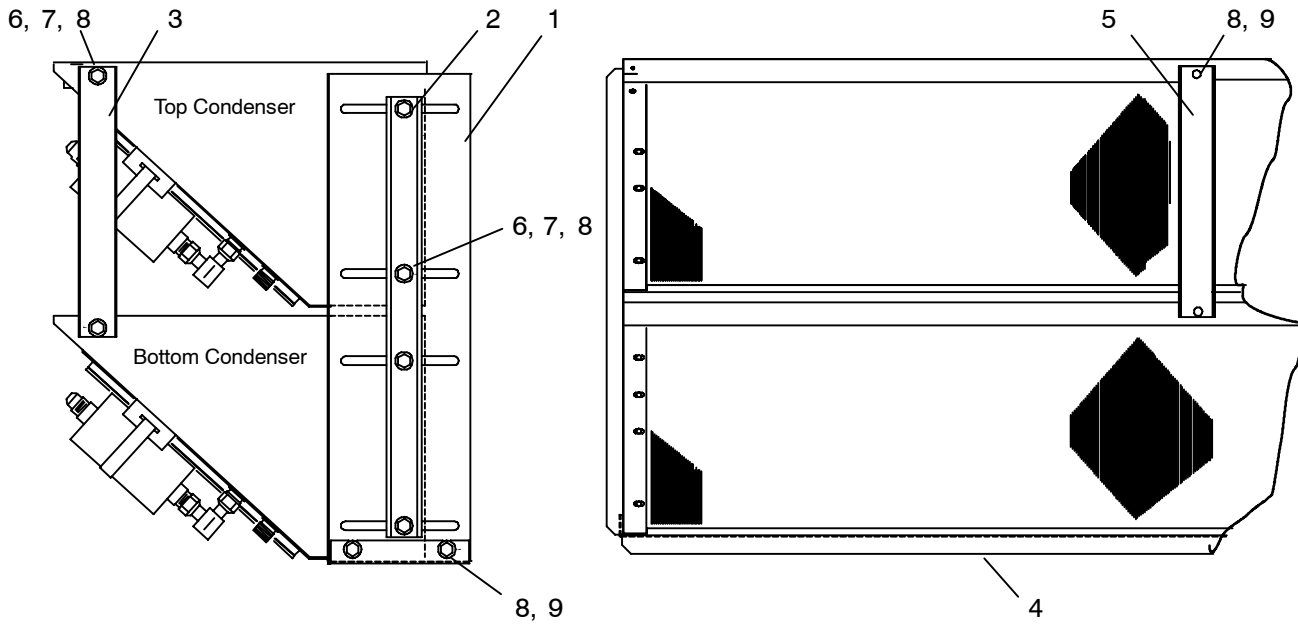
2.2.10 CONDENSER, CM-3, MCHX, GRILL ASSEMBLY



Ref. Kit 77-01288-40 & -62

Item	Part Number	Description	Qty
1	79-62014-34	Grill Assembly, Condenser - Includes	1
2	AC033-051	...Grill, Black, Textured	1
3	AC022-289	...Decal, Carrier Emblem	1
4	34-62045-00	Screw, Pan Head, Phillips, #10-16 x 0.75" TEK	20

2.2.11 CONDENSER, STACKED, CM-2/CM-3



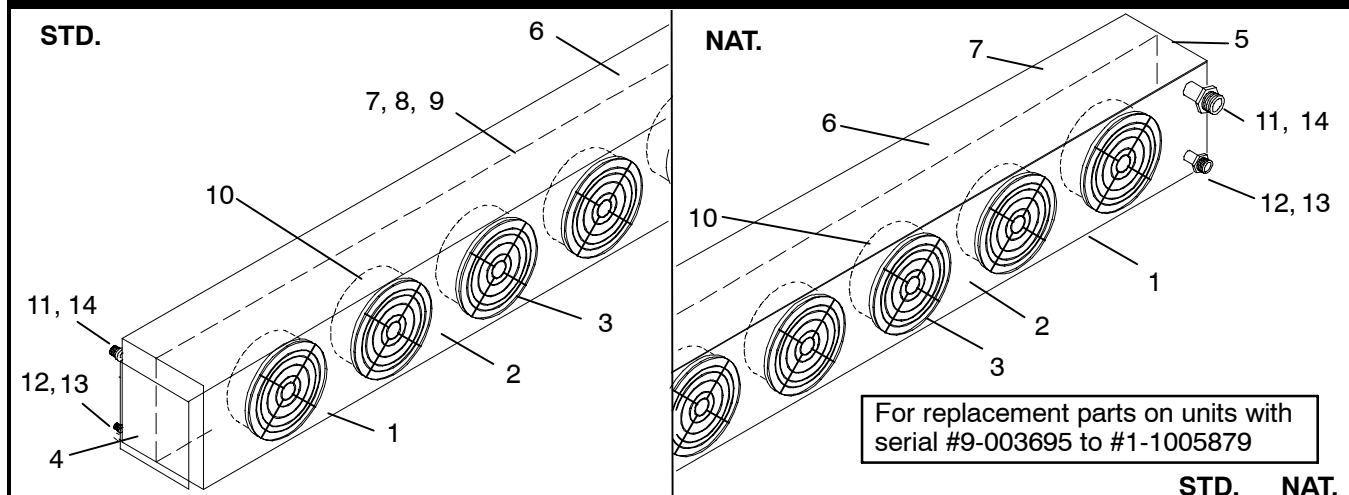
AC033-162 - KIT, CM-2 STACKED WITH BOTTOM SKIRTING
AC033-163 - KIT, CM-3 STACKED WITH BOTTOM SKIRTING

2.2.12 CONDENSER, STACKED, CM-2/CM-3 - Continued:

Item	Part Number	Description	Qty
1	AC033-154	Bracket, Air Inlet, Stacked Condenser, Painted	2
2	AC033-158	Stiffner, Air Inlet, Stacked Condenser, Painted	2
3	AC033-155	Bracket, Air Outlet, Stacked Condenser, Painted	2
4	AC033-156	Plate, Block-Off, Stacked Condenser, Painted, 3 Fan Only	1
	AC033-157	Plate, Block-Off, Stacked Condenser, Painted, 2 Fan Only	1
5	AC033-160	Bracket, Front, Painted, (3 Fan Only)	1
6	34-00309-08	Bolt, Hex Head, 1/4-20 X 1 Inch, Grade 5	12
7	34-06212-12	Washer, Flat, 1/4 Inch, SST, (CM-3 Stacked)	18
		Washer, Flat, 1/4 Inch, SST, (CM-2 Stacked)	16
8	34-00663-11	Washer, Split Lock, 1/4 Inch, SST	12
9	34-00361-11	Nut, Hex, Lock, (ESNA), 1/4-20, Plated, (CM-3 Stacked)	6
		Nut, Hex, Lock, (ESNA), 1/4-20, Plated, (CM-2 Stacked)	4
N/S	AC033-164	Instructions, Installation Drawing	1

SECTION 2.3 CM-5 CONDENSER

2.3.1 CONDENSER, CM-5

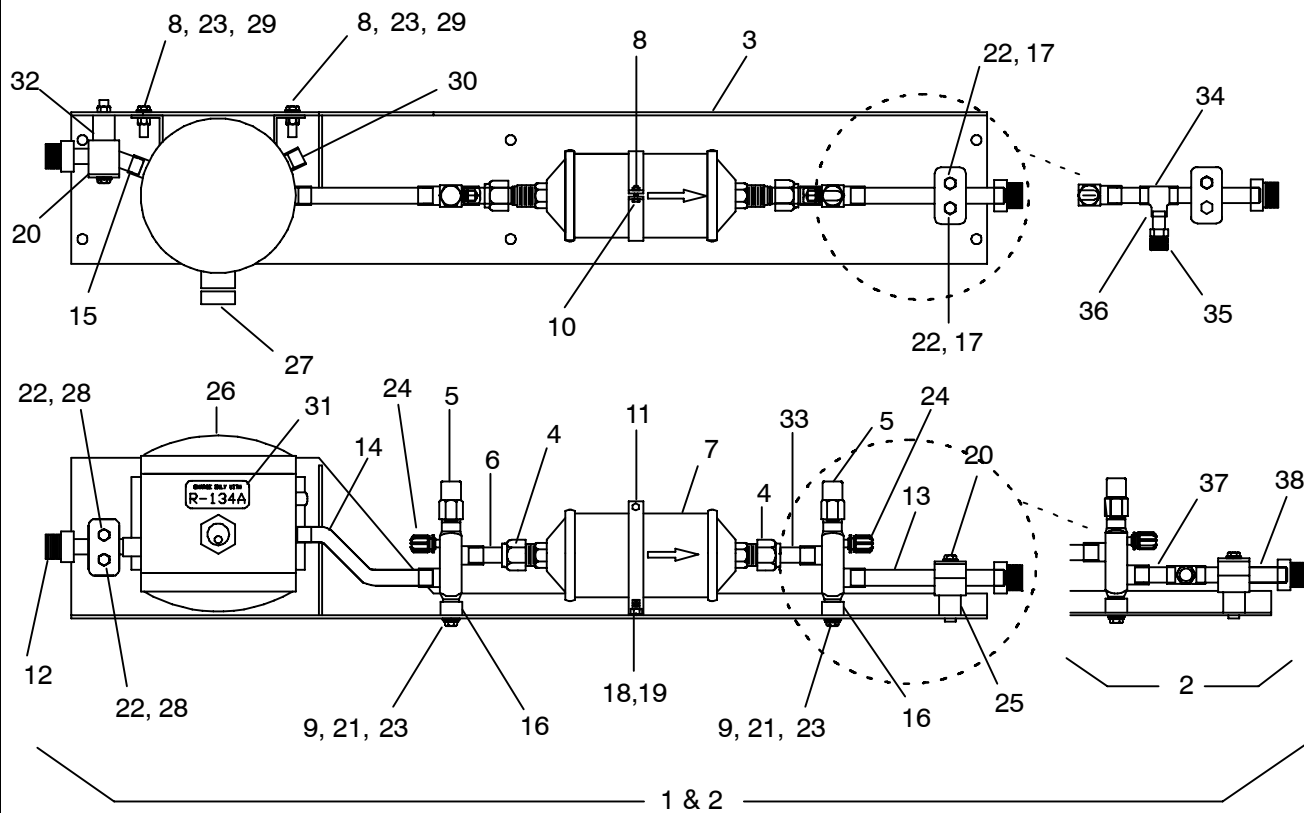


Item	Part Number	Description	STD. Qty	NAT. Qty
N/S	AC030-231	Baffle	4	3
N/S	AC030-335	Baffel, Solenoid Mount	NA	1
1	AC030-232P	Panel, Bottom	1	1
2	AC030-233P	Panel, Front	1	NA
	AC030-333P	Panel, Front, (NAT)	NA	1
3	AC030-234	Guard, Fan	5	5
4	AC030-235	Panel, Left Side	1	NA
	AC030-334	Panel, Left Side, (NATI)	NA	1
5	AC030-236	Panel, Right Side	1	NA
	AC030-332	Panel, Right Side, (NAT)	NA	1
6	AC030-237	Panel, Top	1	1
N/S	AC030-240	Bracket, Discharge Tube	1	NA
	AC030-337	Bracket, Discharge Tube, (NAT)	NA	1
7	AC030-340	Coil Assembly	NA	1
	81-62062-00	Coil Assembly - Includes:	1	NA
8	08-62005-00	...Coil	1	NA
9	14-00029-07	...Check Valve	1	NA
N/S	AC030-247	Bracket, Liquid Tube	1	NA
	AC030-336	Bracket, Liquid Tube, (NAT)	NA	1
N/S	22-02336-06	Fuse, 15 AMP	5	5
N/S	22-50078-23	Cover, Fuse	5	5
N/S	22-50078-22	Holder, Fuse	5	5
N/S	22-50078-49L	Terminal, Fuse	10	10
10	AC030-313	Assembly, Fan, 12 VDC	5	NA
	AC030-314	Assembly, Fan, 24 VDC	5	NA
	AC030-315	Assembly, Fan, 24 VDC, (2-Speeds)	5	5
N/S	10-00300-00	Solenoid, (Normally Open)	NA	1
N/S	12-00299-11	Switch, Pressure-CFS/R134a	NA	1
N/S	12-01132-00	Switch, Temperature (LATH)	1	NA
11	40-00491-00	Fitting, ORS, (Discharge)	1	1

2.3.1 CONDENSER, CM-5 - Continued:

Item	Part Number	Description	Qty	Qty
12	40-00491-09	Fitting, ORS, (Liquid)	1	1
N/S	AC201-615	Resistor, .25 OHM, With Mounting Brackets	N/A	1
13	42-00243-00	O-Ring, ORS, #16	1	1
14	42-00243-03	O-Ring, ORS, #10	1	1

2.3.2 LIQUID LINE ASSEMBLY, CM-5, CM-14, & C4RE, (REMOTE)

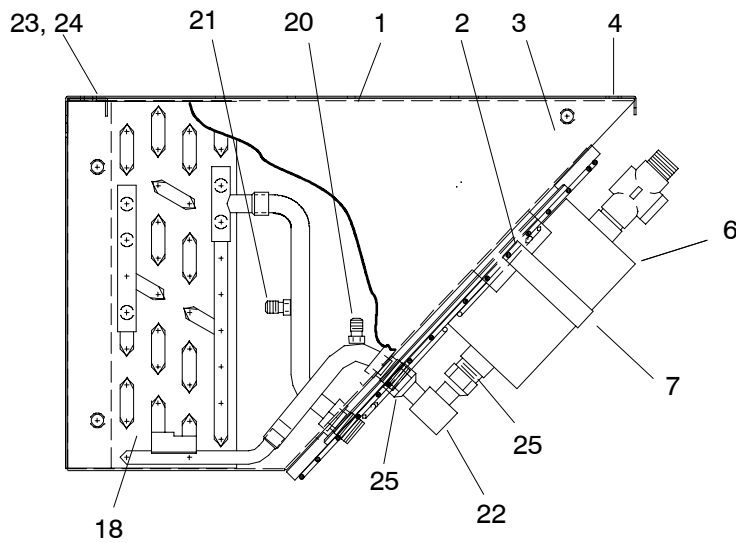
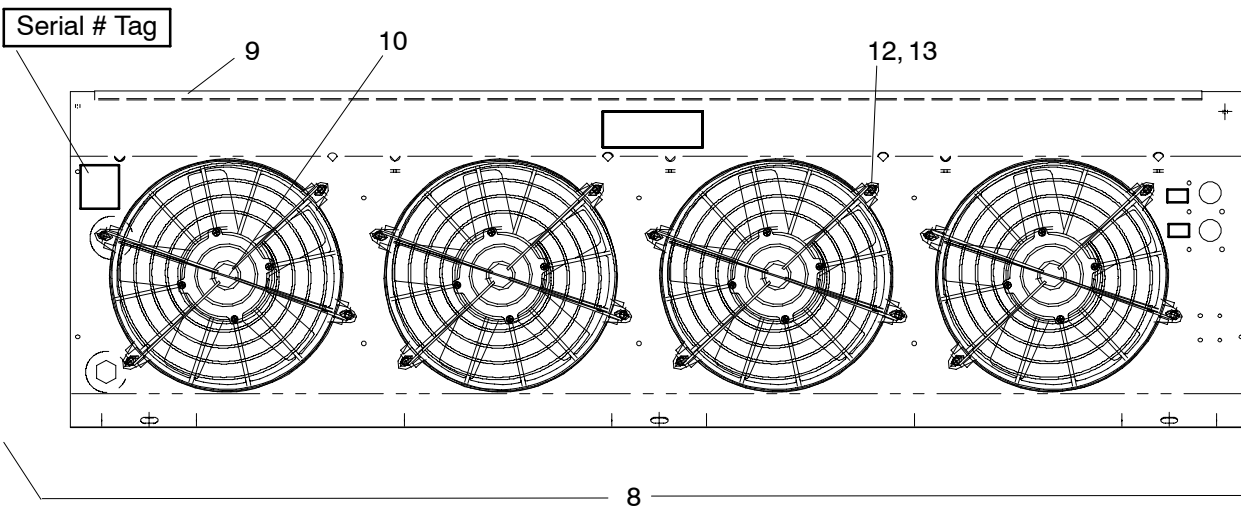
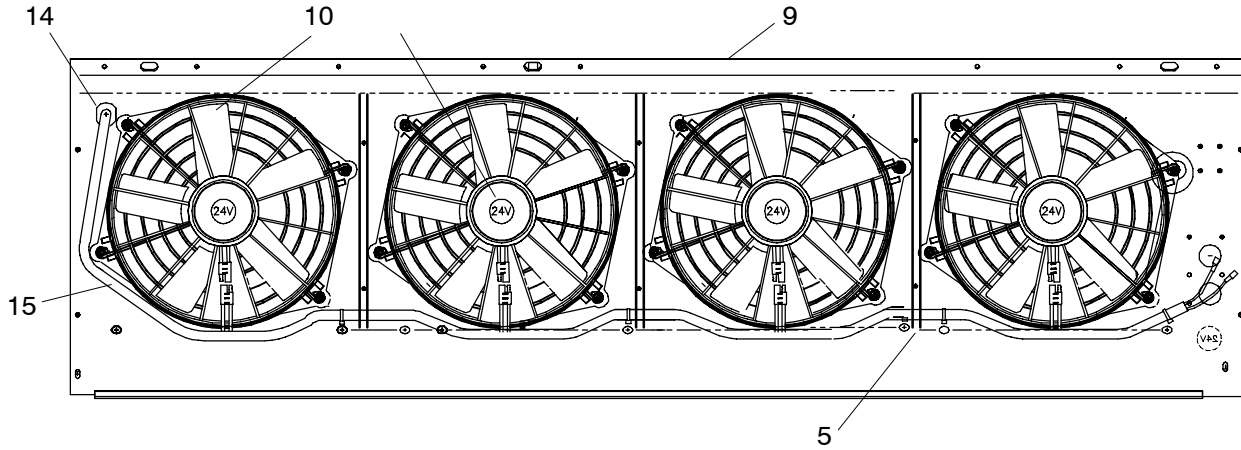


Item	Part Number	Description	Qty
1	81-62003-00	Liquid Line Assembly (Used With CM-5 & CM-14)	1
2	81-62003-01	Liquid Line Assembly (Used With C4RE Only)	1
3	86-62024-00	Bracket Assembly Painted	1
4	40-00097-10	Nut, Flare, 5/8 Short	2
5	40-00501-05	Valve, King	2
6	68RT10-1462	Tube, Flared, 5/8 OD X .040W Copper	1
7	14-00200-00	Filter Drier, 41 Cubic Inch	1
8	34-00666-12	Nut, Lock, 5/16-18	5
9	34-00368-12	Washer, Lock, 5/16 Spring, Plated	2
10	34-00792-12	Bolt, Machine, Hex Head, 5/16-18 X 1-1/2 Inch Long, SST	1
11	AC701-243	Clamp, Conduit, 3 Inch, SST	1
12	40-00491-09	Fitting, 5/8 ODF x 1.00 ORS	2
13	56-00143-36	Tube, Copper, 5/8 OD X .040W (Used With Item #1 Only)	1
14	56-62010-00	Tube, Copper, 5/8 OD X .040W	1
15	56-62011-00	Tube, Copper, 5/8 OD X .040W	1
16	AC601-609	Spacer, 7/8 X 1/2 X 9/16 Inch	2
17	34-00655-22	Bolt, Machine, Hex Head, 1/4-20 X 2-3/4 Inch Long	2
18	34-00361-11	Nut, Lock, 1/4-20 ESNA	1
19	34-06212-12	Washer, Flat, 1/4 Inch, SST	1
20	44-00285-82	Clamp, Tube, 5/8 OD	2
21	34-00677-10	Bolt, Machine, Hex Head, 5/16-24 X 1-1/4 Inch Long, Grade 8	2
22	34-00663-11	Washer, Lock, 1/4 Inch Nominal, Spring	4

2.3.2 LIQUID LINE ASSEMBLY, CM-5 AND CM-14, (REMOTE) - Continued			
Item	Part Number	Description	Qty
23	34-06212-13	Washer, Flat, 5/16 Inch Nominal	6
24	40-00501-50	Cap, King Valve, Service Part	2
25	AC601-615	Spacer, 7/8 X 1/2 X 15/16 Inch	2
26	65-01035-01	Receiver Assembly	1
27	AC101-203	Sightglass, Moisture Indicator, 7/8-14	1
28	34-00655-24	Bolt, Machine, Hex Head, 1/4-20 X 3 Inch Long, SST	2
29	34-00792-08	Bolt, Hex Head, 5/16-18 X 1 Inch, SST	4
30	14-01032-01	Plug, Fusible, 3/8 MPT	1
31	62-62039-00	Label, Charge With R-134a, (CM5 & CM-14)	1
	AC901-535	Label, R-134a, (C4RE)	1
32	AC601-618	Spacer, 7/8 X 1/2 X 1-1/8 Inch	2
33	68RM35-1122	Tube, Liquid, 5/8 OD X .040W Copper	1
34	40-00169-33	Tee, Reducing, 5/8 X 5/8 X 1/2 , (C4RE Only)	1
35	40-62032-02	Nut, Swivel Fitting, #8 MIO X 1/2 Tube, (C4RE Only)	1
36	56-00142-24	Tube, Copper, 1/2 OD x .035W X 1.38 Inch Long, (C4RE Only)	1
37	56-00143-75	Tube, Copper, 5/8 OD x .040W, (C4RE Only)	1
38	56-00143-47	Tube, Copper, 5/8 OD x .040W, (C4RE Only)	1

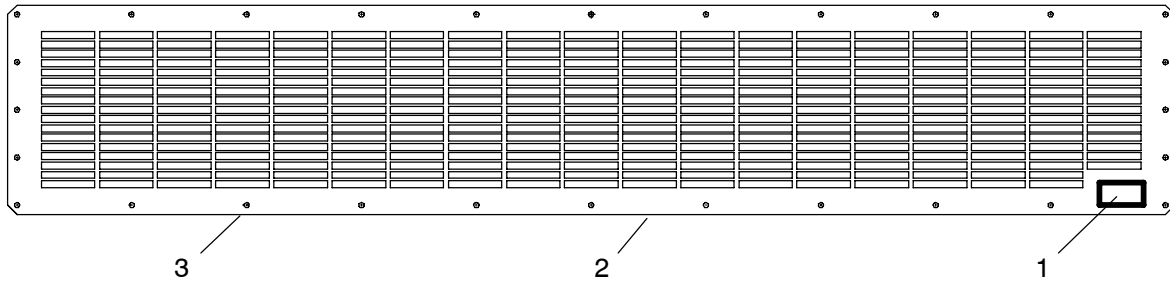
SECTION 2.4 CM-14 CONDENSER SERIES

2.4.1 CONDENSER, CM-14 STANDARD MODEL (77-62083-02, -04, -08 & -09)



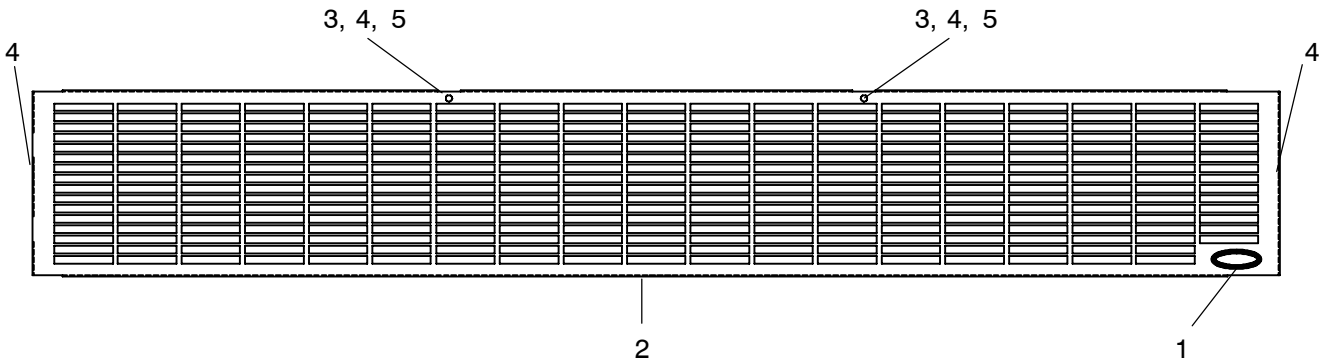
2.4.1 CONDENSER, CM-14 STANDARD MODEL (77-62083-02, -04, -08 & -09) - Continued :			
Item	Part Number	Description	Qty
1	86-62265-00	Panel Assembly, Top, 4 Fan, (Painted)	1
2	AC033-115	Channel, Filter Drier Mounting, (Painted)	1
3	AC033-203	Panel, Left Side, (Painted)	1
4	AC033-204	Panel, Right Side, (Painted)	1
5	AC033-211	Plate, Baffle, (Painted)	3
6	14-00288-00	Filter Drier/Sight Glass Assembly	1
7	AC701-269	Clamp, 2-1/16 Inch to 3 Inch	1
8	79-62063-03	Venturi Assembly, CM-14 Condenser, (Standard 12 VDC) - Includes:	1
9	68-62970-00	...Panel, Venturi, 4 Fan, (Painted)	1
10	54-00618-01	...Fan & Motor Assembly, Vector, 12V W/Fuse, (No Repl. Motor) Includes:	4
10A	22-02336-25Fuse, 20 Amp	1
11	66U1-3882	...Wire Tie, Self-Locking, 7.00 Inches, Black	A/R
12	34-62011-00	...Bolt, Hex Head, W/Lock Washer, 1/4-20 X 1 Inch, SST	16
13	34-00662-11	...Washer, Flat, 1/4 Inch, SST	8
14	58-62019-00	...Bushing, Strain Relief	1
15	22-62275-00	...Harness Assembly, Staged Fans, Standard 12 VDC - Includes:	1
15A	22-02392-00Connector, 2 Pin, Black	1
15B	22-02393-01Terminal, Male (18-20 AWG)	2
15C	22-02394-00Seal, Cable, Gray	2
15D	22-50371-00Connector, 2 Pin	1
15E	22-50372-00Terminal, Male (8 AWG)	2
8	79-62063-04	Venturi Assembly, CM-14 Condenser, Standard 24 VDC - Includes:	1
16	AC030-234	...Guard, Fan, Condenser	4
9	68-62970-00	...Panel, Venturi, 4 Fan, (Painted)	1
17	54-00545-00	...Fan & Motor Assembly, 24 VDC	4
11	66U1-3882	...Wire Tie, Self-Locking, 7.00 Inches, Black	A/R
12	34-62011-00	...Bolt, Hex Head, W/Lock Washer, 1/4-20 X 1 Inch, SST	16
13	34-00662-11	...Washer, Flat, 1/4 Inch, SST	8
14	58-62019-00	...Bushing, Strain Relief	1
15	22-62275-00	...Harness Assembly, Staged Fans, CM-14, Standard, 24V - Includes:	1
15A	22-02392-00Connector, 2 Pin, Black	1
15B	22-02393-01Terminal, Male (18-20 AWG)	2
15C	22-02394-00Seal, Cable, Gray	2
15D	22-50371-00Connector, 2 Pin	1
15E	22-50372-00Terminal, Male (8 AWG)	2
18	81-62105-00	Coil Assembly, Condenser, CM-14 With Pressure Switches - Includes:	1
19	08-62036-00	...Coil Assembly, Condenser (CM-14)	1
20	AC201-414	...Switch, Pressure, High	1
21	AC201-412	...Switch, Pressure, Low	1
22	40-62036-00	Fitting, 90 Degree, 1/2 Inch F.O.R. X 1/2 Inch F.O.R.	1
23	AC701-400	Pop Rivet, 3/16 Inch Steel, (SD64BS)	10
24	AC701-401	Pop Rivet, 3/16 Inch Steel, (SD62BS)	48
25	AC801-202	O-Ring, 1/2 Inch, HNBR	4

2.4.2 CONDENSER, CM-14, GRILL, STANDARD MODEL, (77-62083-02 & -04)



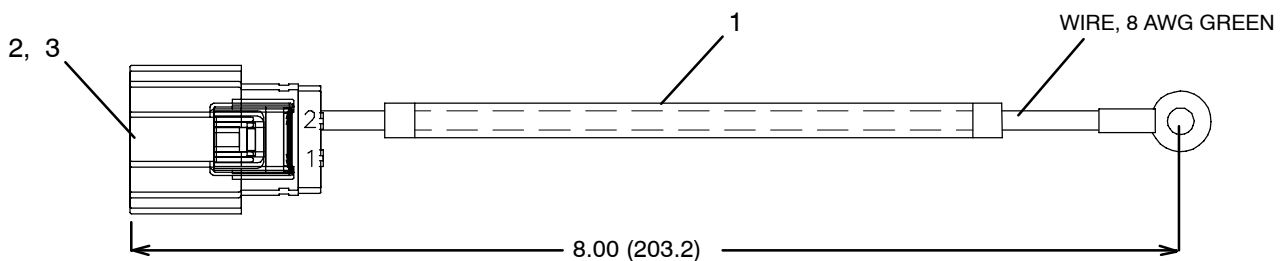
1	AC022-289	Emblem, Carrier	1
2	68-63265-00	Grill, Skirt Mounted, CM-14	1
3	34-62045-00	Screw, Pan Head Phillips, #10 X 3/4 Inch Long, TEK SST.	28

2.4.2 CONDENSER, CM-14, GRILL, CHASSIS MOUNTED - (77-62083-08 & -09)



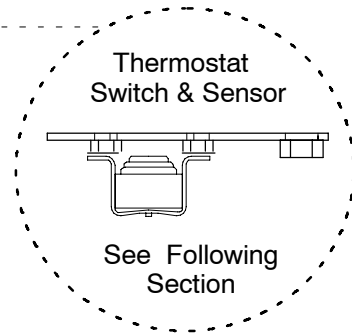
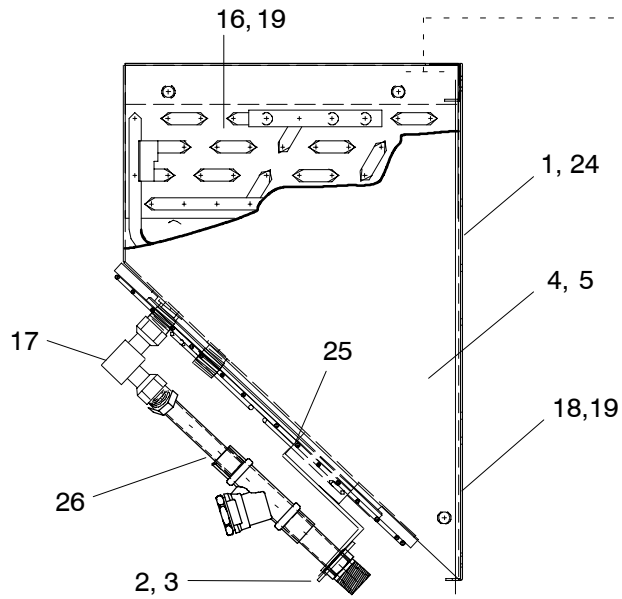
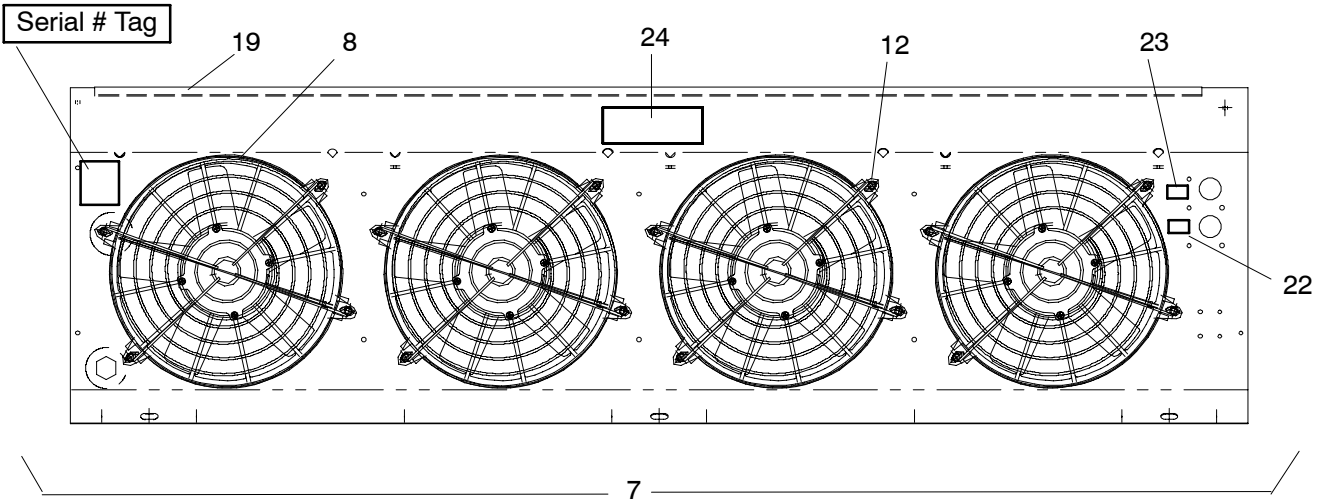
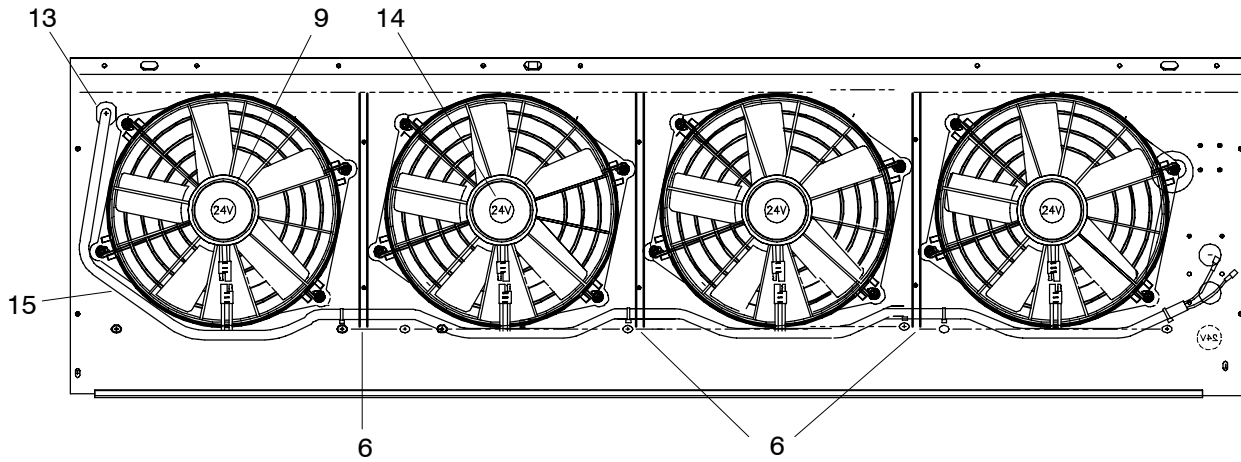
1	AC022-289	Emblem, Carrier	1
2	68-63566-00	Grill, Condenser, Chassis Mounted, Painted	1
3	AC033-144	Plate, Mounting, Painted	2
4	34-62011-00	Bolt, Hex Head, Sems, W/Lock Washer, 1/2-20 X 1 Inch, SST	6
5	AC701-401	Pop Rivet, 3/16 Inch Steel	2

2.4.3 CM-14, CONDENSER GROUND/POWER HARNESS (FOR 77-62083-02, -04, -08, -09)



Item	Part Number	Description	Qty
1	22-62277-00	Harness, Condenser - Includes:	1
2	22-50099-28	...Housing, Receptacle, 2 Pin, Black	1
3	22-50099-28A	...Terminal, Female (8 AWG)	1

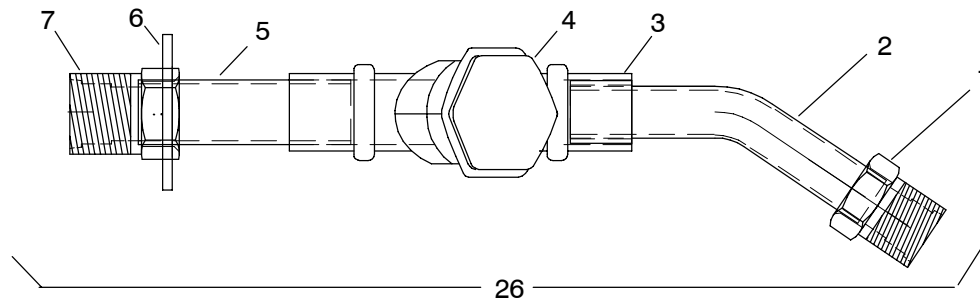
2.4.4 CONDENSER, CM-14 C4RE MODEL (77-62083-00)



2.4.4 CONDENSER, CM-14 C4RE MODEL (77-62083-00) - Continued :

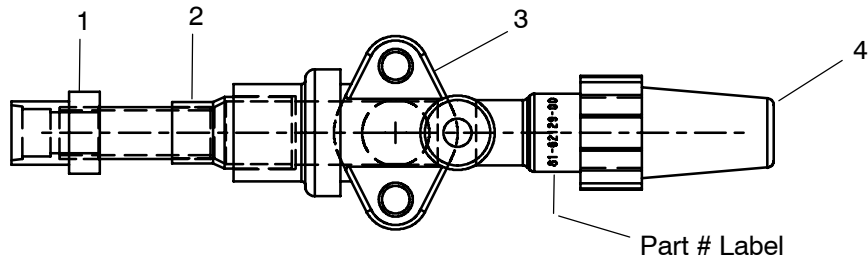
Item	Part Number	Description	Qty
1	86-62265-00	Panel Assembly, Top, 4 Fan, (Painted)	1
2	68-63107-00	Bracket, Check Valve	1
3	34-00733-00	Nut, Hex, Lock, Keps, #10-32, Zinc Plated	2
4	AC033-203P	Panel, Left Side, (Painted)	1
5	AC033-204P	Panel, Right Side, (Painted)	1
6	AC033-211P	Plate, Baffle, (Painted)	3
7	79-62063-00	Venturi Assembly, CM-14 Condenser, C4RE 24V - Includes:	1
8	AC030-234Guard, Fan, Condenser	4
9	68-62970-00Panel, Venturi, 4 Fan, (Painted)	1
10	54-00545-00Fan & Motor Assembly, 24 VDC	4
11	34-62011-00Bolt, Hex Head, W/Lock Washer, 1/4-20 X 1 Inch, SST	16
12	34-00662-11Washer, Flat, 1/4 Inch, SST	8
13	58-62019-00Bushing, Strain Relief	1
14	62-62008-00Label, 24V, 1 Inch Diameter, (Green & Black)	4
15	22-62163-00Harness Assembly, Staged Fans, CM-14, C4RE	1
16	08-62036-00	Assembly, Coil, CM-14	1
17	40-62036-00	Fitting, 90 Degree, 1/2 Inch F.O.R. X 1/2 Inch F.O.R.	1
18	AC701-400	Pop Rivet, 3/16 Inch Steel, (SD64BS)	10
19	AC701-401	Pop Rivet, 3/16 Inch Steel, (SD62BS)	48
20	AC801-202	O-Ring, 1/2 Inch, HNBR	2
21	62-62042-15	Label, Liquid Out	1
22	62-62042-14	Label, Hot Gas In	1
23	62-62029-00	Label, Warning Fan Blades	1
24	AC022-289	Emblem, Carrier	1
25	34-62050-04	Bolt, Pan Head, Phillips/Slotted, 10/32 X 1/2 Inch Long	2

2.4.4 CONDENSER, CM-14 C4RE, CHECK VALVE & TUBE ASSEMBLY



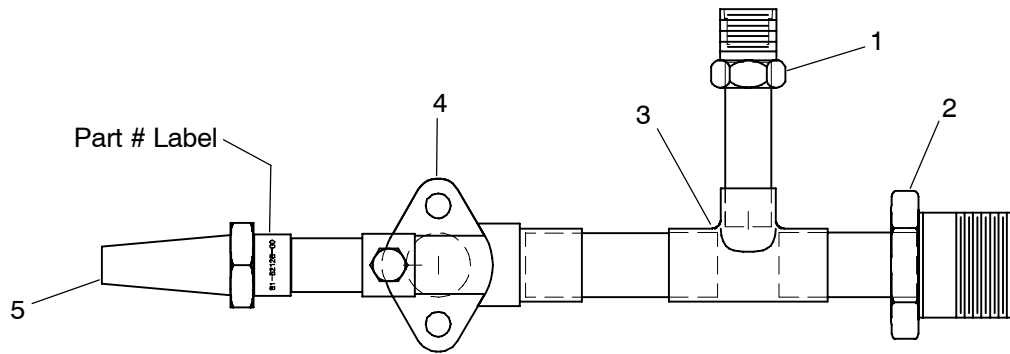
26	81-62122-00	Check Valve & Tube Assembly - Includes:	1
1	40-62032-02Nut, Swivel, #8 MIO X 1/2 ODF.	1
2	56-62250-00Tube, Discharge, Bent, Copper, 1/2 Inch O.D.	1
3	40-00201-04Bushing, Flush, 5/8 ODM X 1/2 ODF	1
4	14-00029-04Valve, Check, 5/8 ODF	1
5	56-00143-78Tube, Straight, Copper, 5/8 O.D. X 2.06 Inches Long	1
6	68-62492-02Plate, Swivel Nut, Brass	1
7	40-62032-01Nut, Swivel Fitting, #10 MIO X 5/8 ODF	1

2.4.4 CONDENSER, CM-14 C4RE, DISCHARGE VALVE ASSEMBLY (BB)



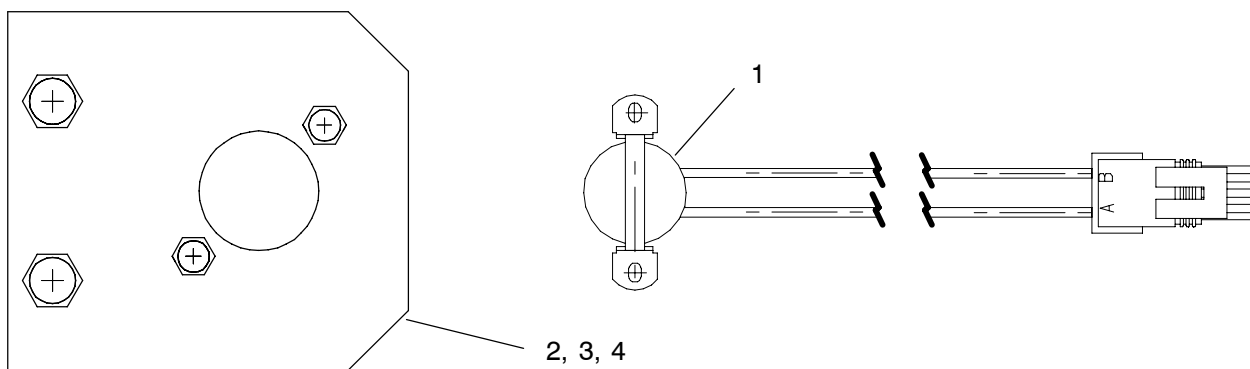
-	81-62129-00	Discharge Valve Assembly - Includes:	1
1	40-62032-01Nut, Swivel Fitting, #10 MIO X 5/8 ODF	1
2	40-00490-12Reducer, Copper	1
3	14-01042-08Valve, Compressor Shut-Off, (For 7/8 Tubing)	1
4	17-10812-00Cap, Valve, Plastic	1

2.4.4 CONDENSER, CM-14 C4RE, SUCTION VALVE ASSEMBLY (BB)



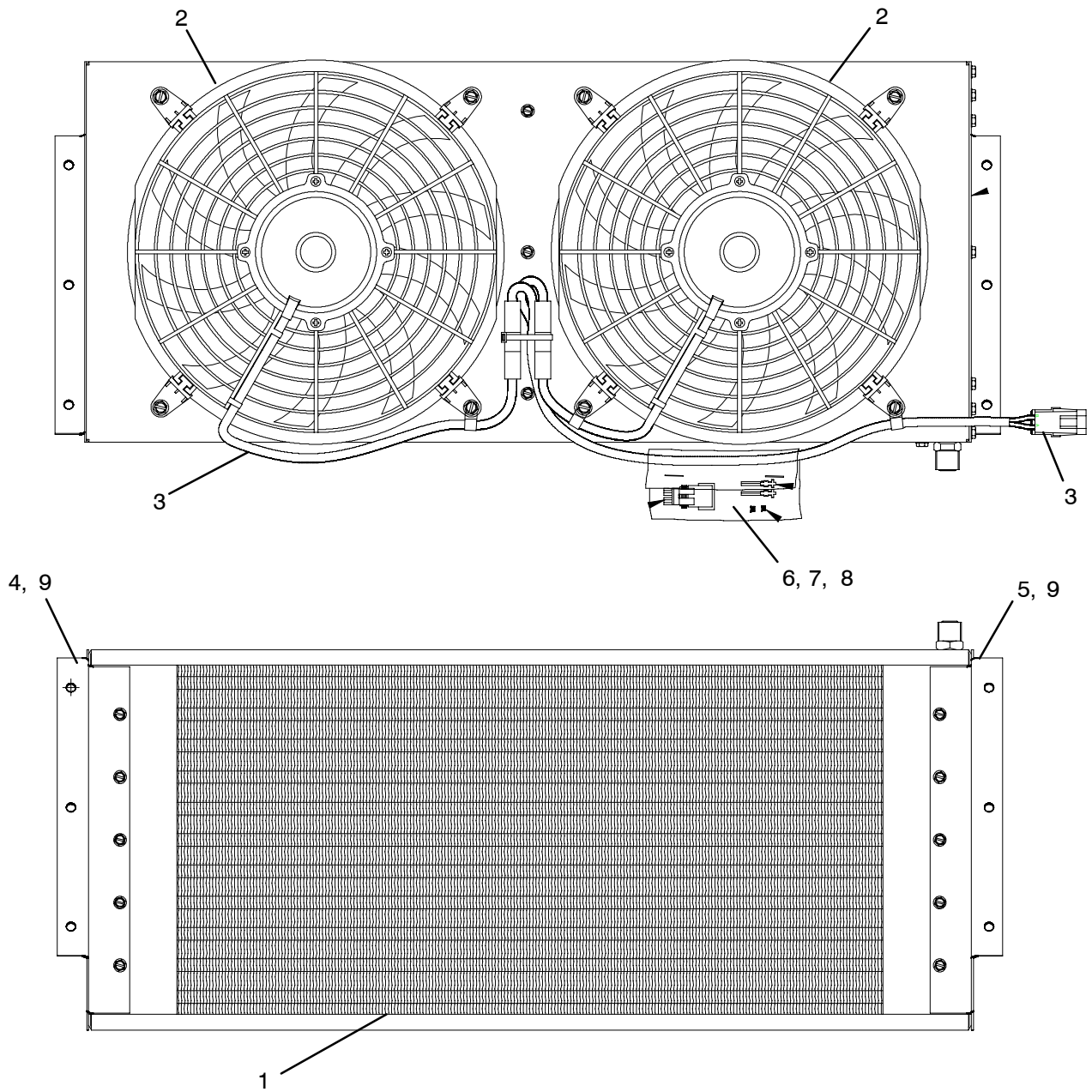
-	81-62128-00	Suction Valve Assembly - Includes:	1
1	40-62032-01Nut, Swivel Fitting, #10 MIO X 5/8 ODF	1
2	40-00491-18Fitting, ORS, Brass, 1-11/16-12 Thread (For 7/8 Tubing)	1
3	40-00169-13Tee, Reducing, Copper (7/8 X 7/8 X 5/8)	1
4	EN07AA284Valve, Compressor Shut-Off (For 7/8 Tubing)	1
5	17-10812-00Cap, Valve, Plastic	1

2.4.4 CONDENSER, CM-14 C4RE LOW AMBIENT THERMOSTAT SWITCH & BRACKET



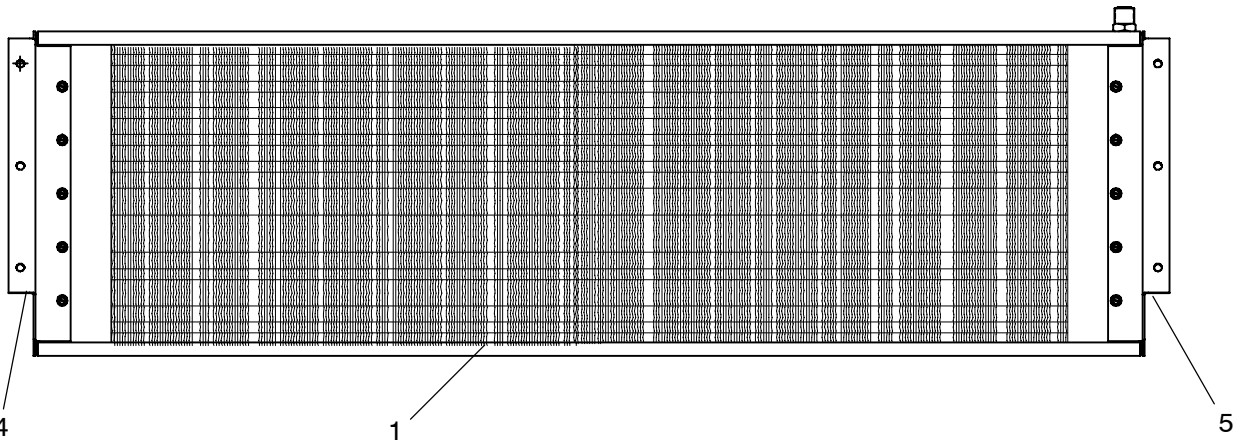
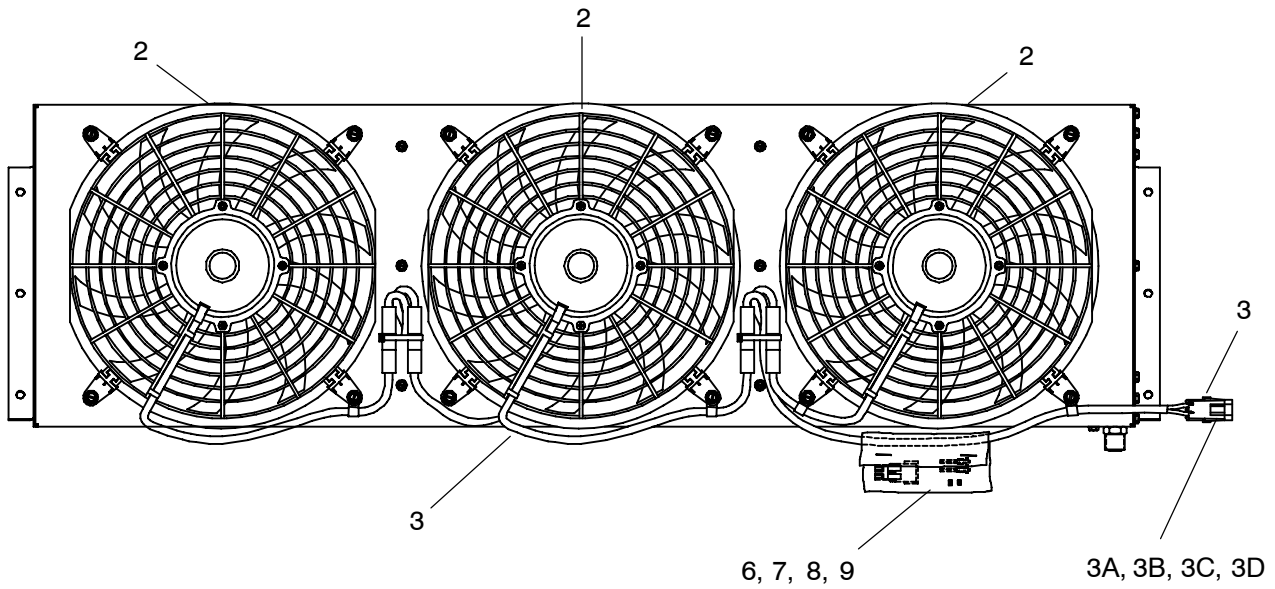
1	10-00317-01	Switch, Thermostat, Low Ambient (C4RE Only)	1
2	68-63104-00	Bracket, LATH Sensor, (C4RE Only)	1
3	66U1-5371	Bolt, Hex Head, Slotted, #8/32 X 1/2 Inch Long - SST	2
4	34-62011-00	Bolt, Hex Head, SEMS, W/Lock Washer, 1/4-20 X 1 Inch, SST	2

2.4.5 CONDENSER, CM-15 (77-62175-00)



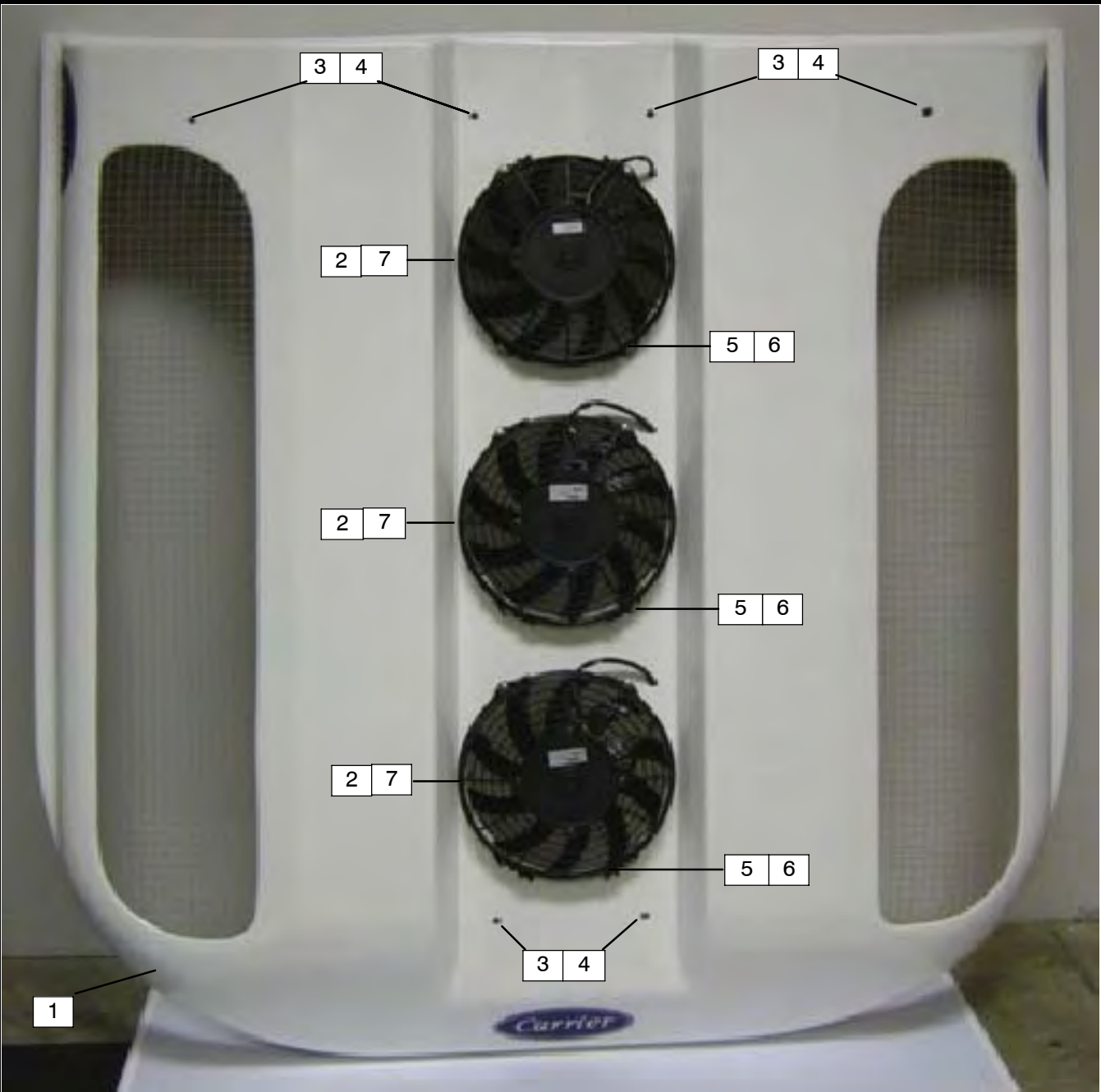
Item	Part Number	Description	Qty
1	08-50018-00	Coil Assembly, Two Fan Condenser	1
2	54-50108-00	Fan & Motor Assembly, Condenser, 12 VDC	2
3	22-50343-00	Harness, Two Fan Condenser	1
4	68-50088-00	Bracket, Condenser, RS	1
5	68-50089-00	Bracket, Condenser, LS	1
6	22-01585-00SK	Connector, Male, 2 Pin, Black	1
7	22-50078-58H	Terminal, Female (12 AWG)	2
8	22-02394-01	Seal, Cable, Blue	2
9	86-62475-00	Bracket, Mounting, Condenser	2

2.4.6 CONDENSER, CM-16 (77-62201-00)



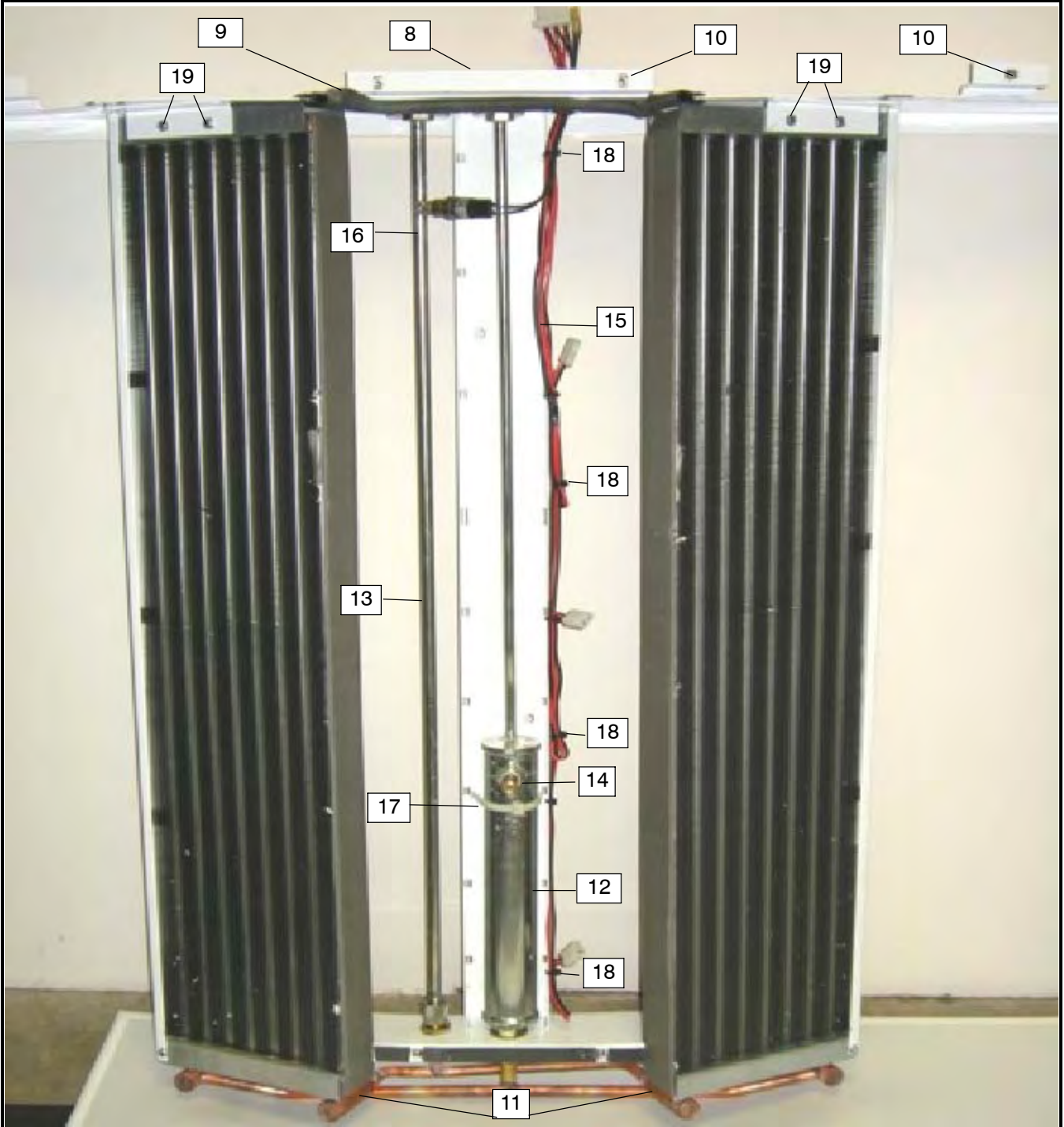
Item	Part Number	Description	Qty
1	08-50020-00	Coil Assembly, Three Fan Condenser	1
2	54-50108-00	Fan & Motor Assembly, Condenser, 12 VDC	3
3	22-50358-00	Harness, Three Fan Condenser - Includes:	1
3A	22-50078-01	...Connector, Male, 2 Pin, Black	1
3B	22-50078-47B	...Terminal, Male (12-14 AWG)	2
3C	22-02394-00	...Seal, Cable, Gray	2
3D	22-50078-01A	...Lock, Secondary	1
4	68-50088-00	Bracket, Condenser, RS	1
5	68-50089-00	Bracket, Condenser, LS	1
6	22-50078-02	Connector, Female, 2 Pin, Black	1
7	22-50078-47E	Terminal, Female (12-14 AWG)	2
8	22-02394-00	Seal, Cable, Gray	2
9	22-50078-01A	Lock, Secondary	1

2.4.7 CONDENSER, K410, 3 MOTOR, 12V (CARRIER - SPAIN) 02-94-10-101-00



Item	Part Number	Description	Qty
1	SES132236	Cover, Condenser, K410	1
2	SES130027	Fan & Motor Assembly, Condenser, 12 VDC	3
3	SES131292	Screw, Cover, M6, x 20MM	6
4	SES232006/N	Washer, Cover, Nylon	6
5	SES201035	Screw, 5M x 20MM	12
6	SES131318	Nut, M5	12
7	SES261045	Spade, Terminal, Male	6
8	SES132235	Housing, Condenser, K410	1
9	SES141420	Seal, Bulb, 1.3M (30 Feet Roll)	1
10	SES 226013/1	Nut, Caged, M6	6

2.4.7 CONDENSER, K410, 3 MOTOR, 12V (CARRIER - SPAIN) - Continued:



Item	Part Number	Description	Qty
11	SES132205	Coil Assembly, Condenser, K410, Complete	1
12	SES172643	Receiver Tank/Tube Assembly	1
13	SES172644	Tube, Discharge Line	1
14	SES171087	Valve, Safety, 3/8	1
15	SES182202	Harness Assembly, Electrical	1
16	SES171004	Switch, High Pressure	1
17	SES248014	Clamp, Hose, 50/70S	1
18	66U1-3882	Wire Tie, Self-Locking, 7.00 Inches, Black	10
19	SES217020	Screw, Self-Taping, 4.8 x13MM	10

2.4.7 CONDENSER, K410, 3 MOTOR, 12V (CARRIER - SPAIN) - Continued:



SERIAL-MODEL
TAG LOCATION

INTRODUCTION

The Carrier Transicold model 68KR4 series condensers are of lightweight frame construction, designed to be installed on the vehicle roof.

CONFIGURATION IDENTIFICATION

Unit identification information is provided on a plate located inside the condenser. The plate provides the unit model number, the unit serial number and the unit parts identification number (PID). The model number identifies the overall unit configuration while the PID provides information on specific optional equipment and differences in detailed parts.

This section provides a description of and a tabular listing of unit model numbers and PID numbers to assist the reader in identifying the equipment supplied and any required service parts.

OPTION DESCRIPTION

Various options may be factory or field equipped to the base unit. These options are listed in the tables and described in the following subparagraphs.

Skins Kit

The top cover is designed to allow for different mounting arrangements on high roof radius or low roof radius configurations.

Refrigeration Kit

The unit may be fitted with a single or dual loop refrigeration system

Electrical Kit

The unit may be fitted with 12 or 24 volt fan motors.

Frame Kit

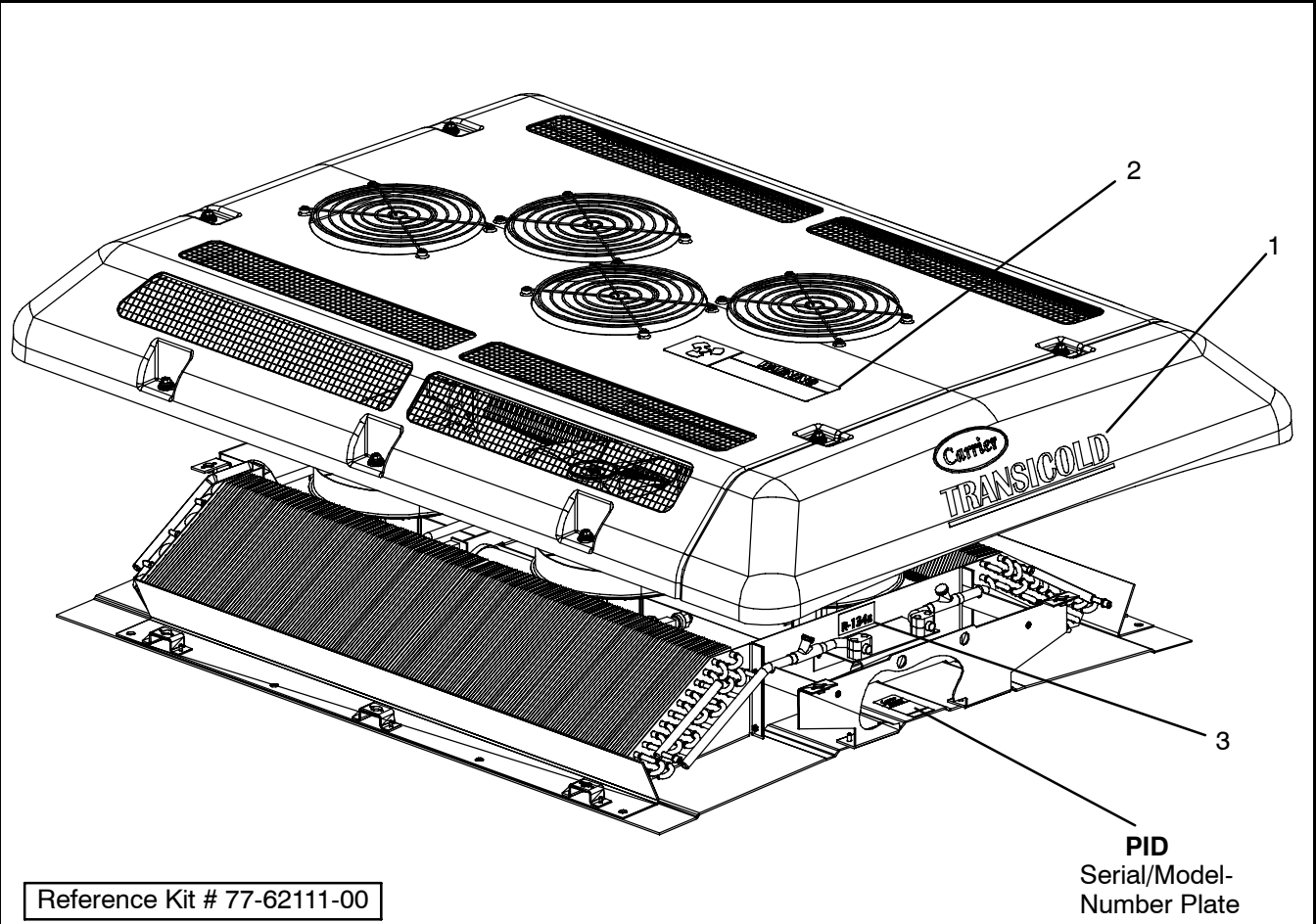
The condenser may be fitted with one of two different base assemblies. The assemblies differ dependent on single or dual loop refrigerant system configuration.

Skins Kit	
1	Top Cover - Small Radius for High Roof
2	Top Cover - Large Radius for Low Roof
Refrigeration Kit	
1	Dual Loop
2	Single Loop
3	Dual Loop - Less Filters & Valves
Electrical Kit	
1	24 VDC W/PM Motors
2	12 VDC W/PM Motors
3	24 VDC W/PM Motors W/Fuse
4	12 VDC W/PM Motors W/Fuse
Condenser Frame	
1	Dual Loop - Bottom
2	Single Loop - Bottom
3	Dual Loop - Less Filters & Valves

OPTION TABLE

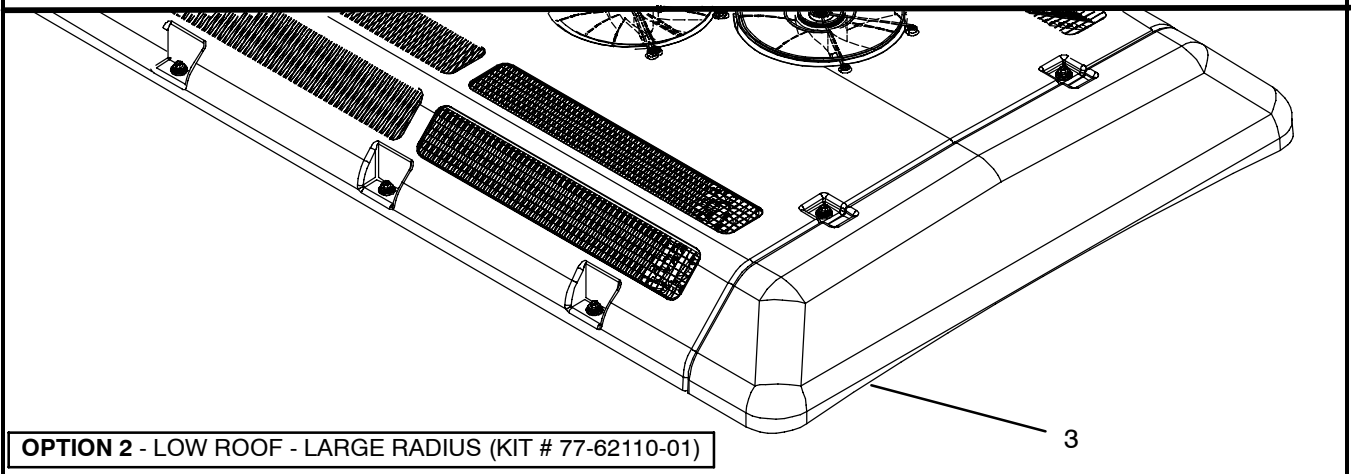
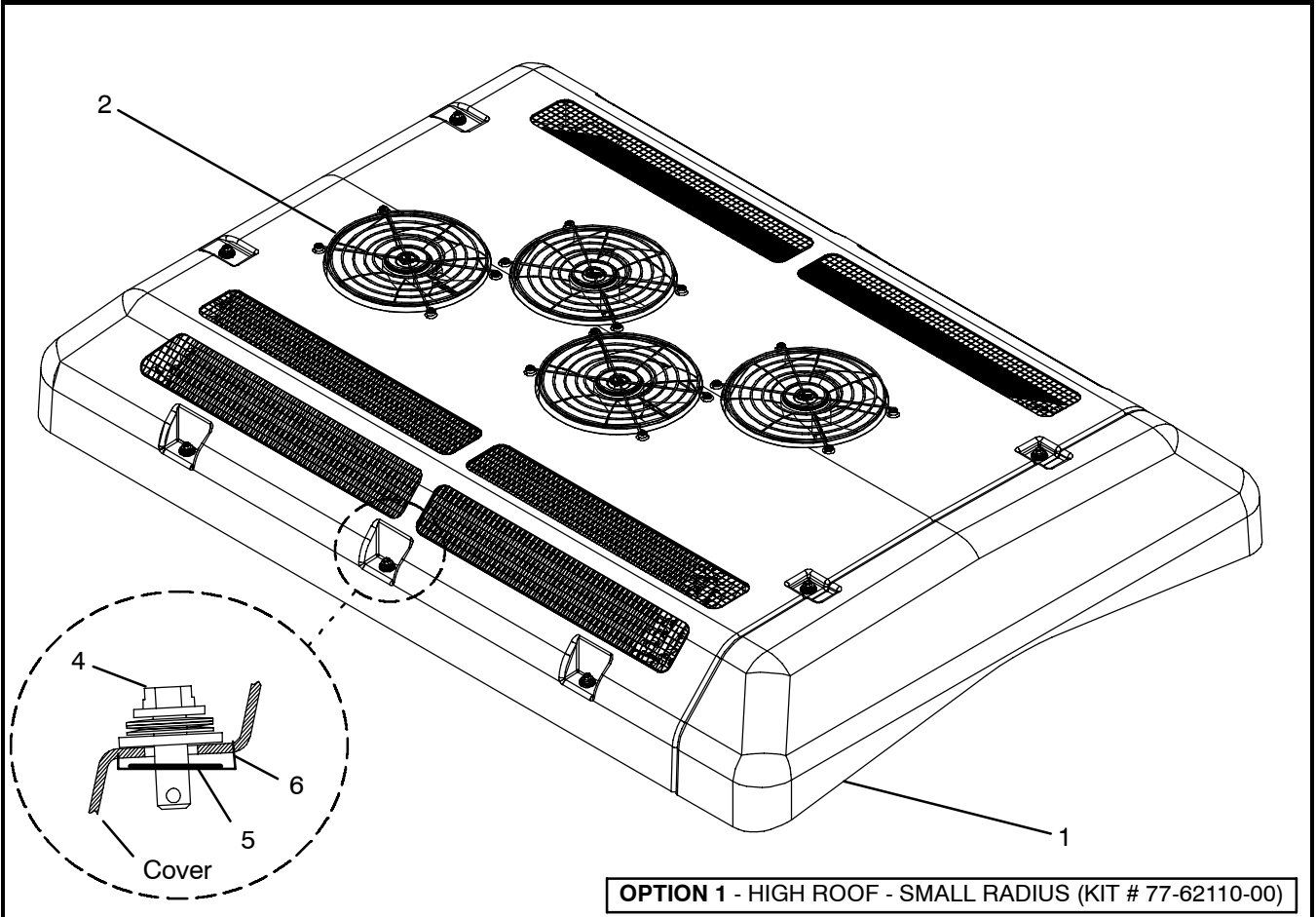
MODEL 68KR4	PID Condenser KR4C	Skins Kit	Refrigeration Kit	Electrical Kit	Frame Kit
-101	00030	1	1	3	1
-101-1	00031	2	1	1	1
-101-2	00032	1	1	4	1
-101-3	00033	2	1	2	1
-101-4	00034	1	2	3	2
-101-5	00035	2	2	1	2
-101-6	00036	1	2	2	2
-101-7	00037	2	2	2	2
-101-8	00038	1	3	4	3

2.5.1 CONDENSER, 68KR4-101 SERIES, DECAL KIT



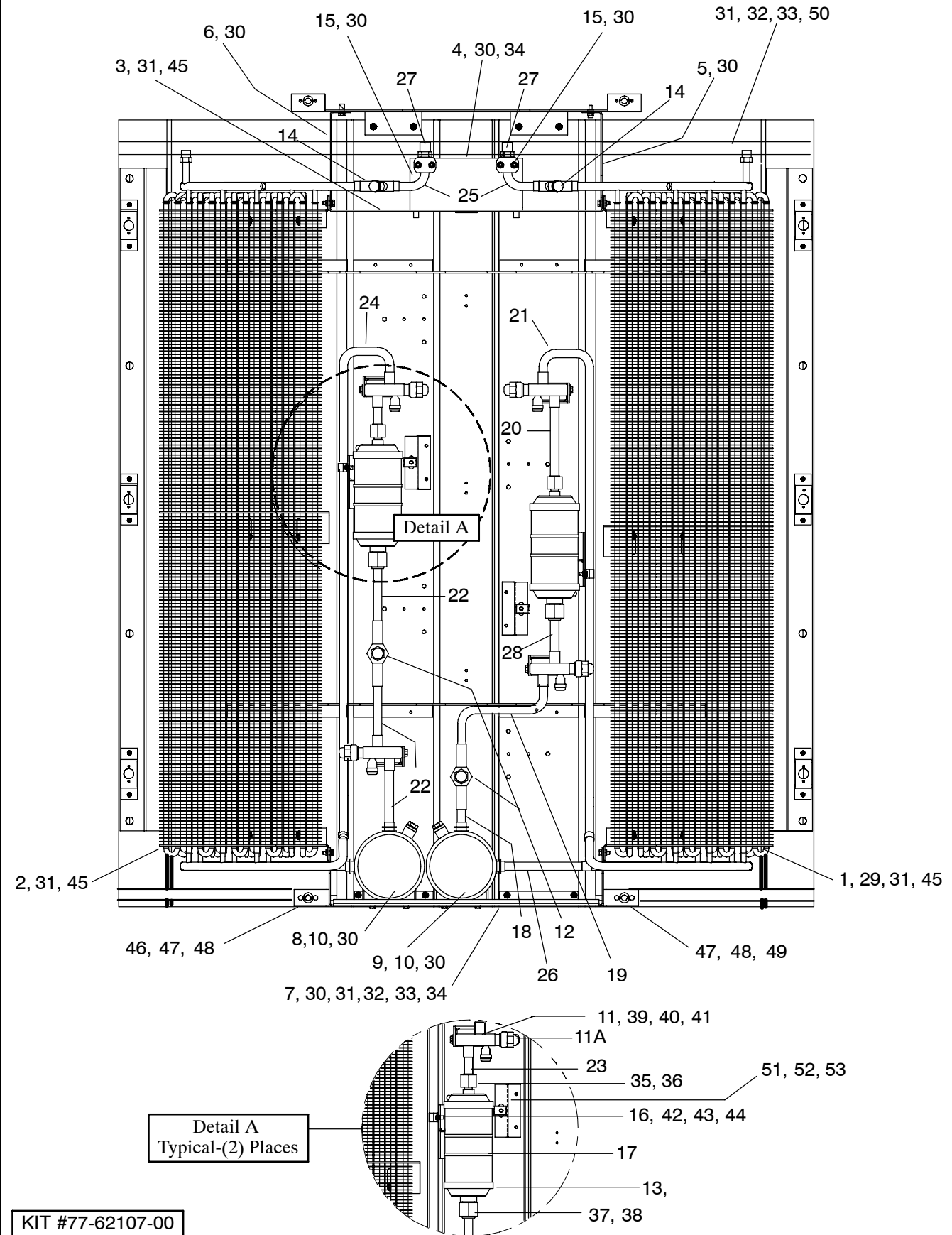
Item	Part Number	Description	Qty
1	62-03882-01	Decal, "Carrier Transicold"	1
2	62-62045-00	Label, Warning, Fan Blades & Power Disconnect	1
3	62-62039-00	Label, "Charge Only With R134a"	1

2.5.2 CONDENSER, 68KR4-101 SERIES, SKINS KIT - OPTION 1 & 2



Item	Part Number	Description	Qty
OPTION 1			
1	58-62040-00	Cover, Top, Condenser, KR4, High Roof Radius, With End Cap - Includes:	1
2	73-62003-00Grill, Cover	4
OPTION 2			
3	58-62040-02	Cover, Top, Condenser, KR4, Low Roof Radius, With End Cap - Includes:	1
2	73-62003-00Grill, Cover	4
COMMON PARTS			
4	32-24-01-013	Stud, Captive, 1/4 Turn Camloc (91F)	10
5	32-24-01-016	Washer, Special, Retaining	10
6	68-63648-00	Plate, Reinforcing, Cover	10

2.5.3 CONDENSER, 68KR4-101 SERIES, REFRIGERATION KIT, DUAL LOOP - OPTION 1

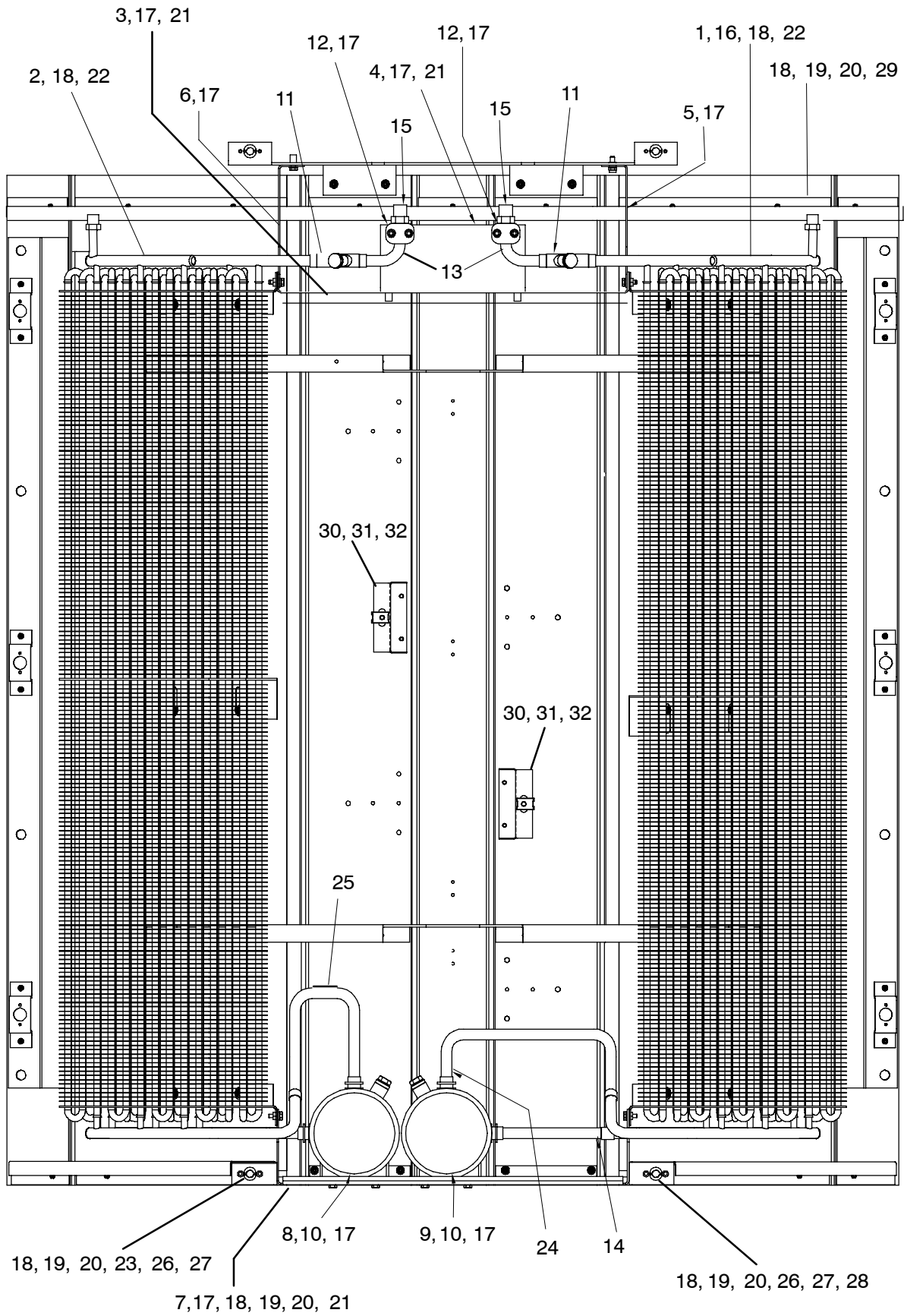


2.5.3 CONDENSER, 68KR4-101 SERIES, REFRIGERANT KIT DUAL LOOP - OPTION 1 - Continued:			
Item	Part Number	Description	Qty
1	08-62038-00	Coil, Condenser, Dual Loop	1
2	08-62038-01	Coil, Condenser, Dual Loop	1
3	68-63079-00	Bracket, Support Coil	1
4	68-62718-00	Bracket, Mounting, Tube Clamp	1
5	68-63084-00	Bracket, Mounting	1
6	68-63084-01	Bracket, Mounting	1
7	68-63158-00	Bracket, Support	1
8	65-62003-00	Receiver Assembly, Inlet Right, 5 Inch O.D.	1
9	65-62003-01	Receiver Assembly, Inlet Left, 5 Inch O.D.	1
10	14-01032-01	Plug, Fusible, 3/8 MPT	2
11	40-00501-05	Valve, King, Brass, 5/8 ODF	4
11A	40-00501-50Cap, King Valve, Service Part	4
12	14-00026-04	Indicator, Liquid & Moisture, 5/8 ODF	2
13	14-00320-00	Filter Drier, 3/4 ORS Inlet X 5/8 Inch ORS Outlet - Includes:	2
13A	42-00243-11O-Ring, .739 ID X .070 Thick	1
13B	42-00243-03O-Ring, .614 ID X .070 Thick	1
14	14-00029-04	Valve, Check, 5/8 ODF	2
15	44-00285-81	Clamp, Tube, Saddle, 5/8 Inch (With Cover Plate)	2
16	34-00373-07	Clamp, Tube, 0.625 Dia. Cushion	2
17	44-00045-20	Clamp, Hose, Worm Type (3.063 - 4.00 Inches)	4
18	56-00143-89	Tube, Straight, Copper, 5/8 OD X .040W X 2.19 Inches Long	1
19	56-62239-00	Tube, Discharge, Bent, 5/8 OD X .040W Copper	1
20	56-00143-24	Tube, Straight, Copper, 5/8 OD X .040W X 6.00 Inches Long	1
21	56-62240-00	Tube, Liquid, Bent, 5/8 OD X .040W Copper	1
22	56-00143-73	Tube, Straight, Copper, 5/8 OD X .040W X 4.88 Inches Long	3
23	56-00143-75	Tube, Straight, Copper, 5/8 OD X .040W X 1.62 Inches Long	1
24	56-62240-01	Tube, Liquid, Bent, 5/8 OD X .040W Copper	1
25	56-62231-00	Tube, Liquid, Bent, 5/8 OD X .040W Copper	2
26	56-62241-00	Tube, Liquid, Straight, 5/8 OD X .040W Copper	1
27	40-62032-01	Nut, Swivel Fitting, Male Insert O-Ring, 7/8-14 X 5/8 ODF	2
28	56-00143-25	Tube, Straight, Copper, 5/8 OD X .040W X 3.00 Inches Long	1
29	AC801-414	Gasket, Foam, 3/8 X 1.00 Inch X 25 Foot Roll	1
30	34-01266-20	Screw, Hex Head SEMS, Slotted, M6 X 20MM Long	28
31	34-00946-06	Nut, Hex, M6 X 1.00, Steel	31
32	34-00944-06	Washer, Plain, M6	19
33	34-00945-06	Washer, Lock, Split, M6	19
34	34-06051-104	Rivnut, M6 X 1.0, Grip Range: .028-.165	10
35	34-06121-03	Nut, Hex, ORS Braze (1-14 Threads)	2
36	40-00503-03	Collar, Tube - 5/8 ORS, Brass	2
37	34-06121-04	Nut, Hex, ORS Braze (1-3/16-12 Threads)	2
38	40-00503-04	Collar, Tube - 5/8 ORS, Nickel Plated Steel	2
39	34-00303-04	Screw, Cap, Hex Head, 5/16-24 X 1/2 Inch Long	4
40	34-00588-12	Washer, Plain, 5/16, SAE	4
41	34-00368-12	Washer, Lock, Split, 5/16, Steel	4
42	34-01197-16	Screw, Cap, Hex Head, M4 X 16MM Long, SST	2
43	34-01151-04	Washer, Flat, M4, SST	2

2.5.3 CONDENSER, 68KR4-101 SERIES, REFRIGERANT KIT DUAL LOOP - OPTION 1 - Continued

Item	Part Number	Description	Qty
44	34-01146-04	Washer, Lock, Split, M4, SST	2
45	34-60002-06	Washer, Bellville, M6 (Conical Spring Steel)	12
46	86-62524-00	Bracket, Support	1
47	34-62016-00	Plate, Locking	2
48	34-00928-09	Rivet, Blind, .156 Dia., Grip Range: .126-.250, SST	4
49	86-62524-01	Bracket, Front Support	1
50	68-63671-00	Bracket, Support	1
51	68-63682-00	Bracket, Support	2
52	AC701-402	Rivet, Blind, .187 Dia., Grip Range: .251-.375	4
53	AC701-101	Nut, Speed, "J" Type, 1/4-20	2

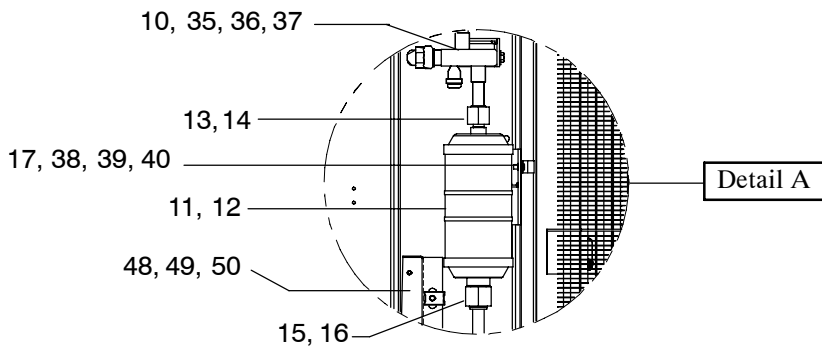
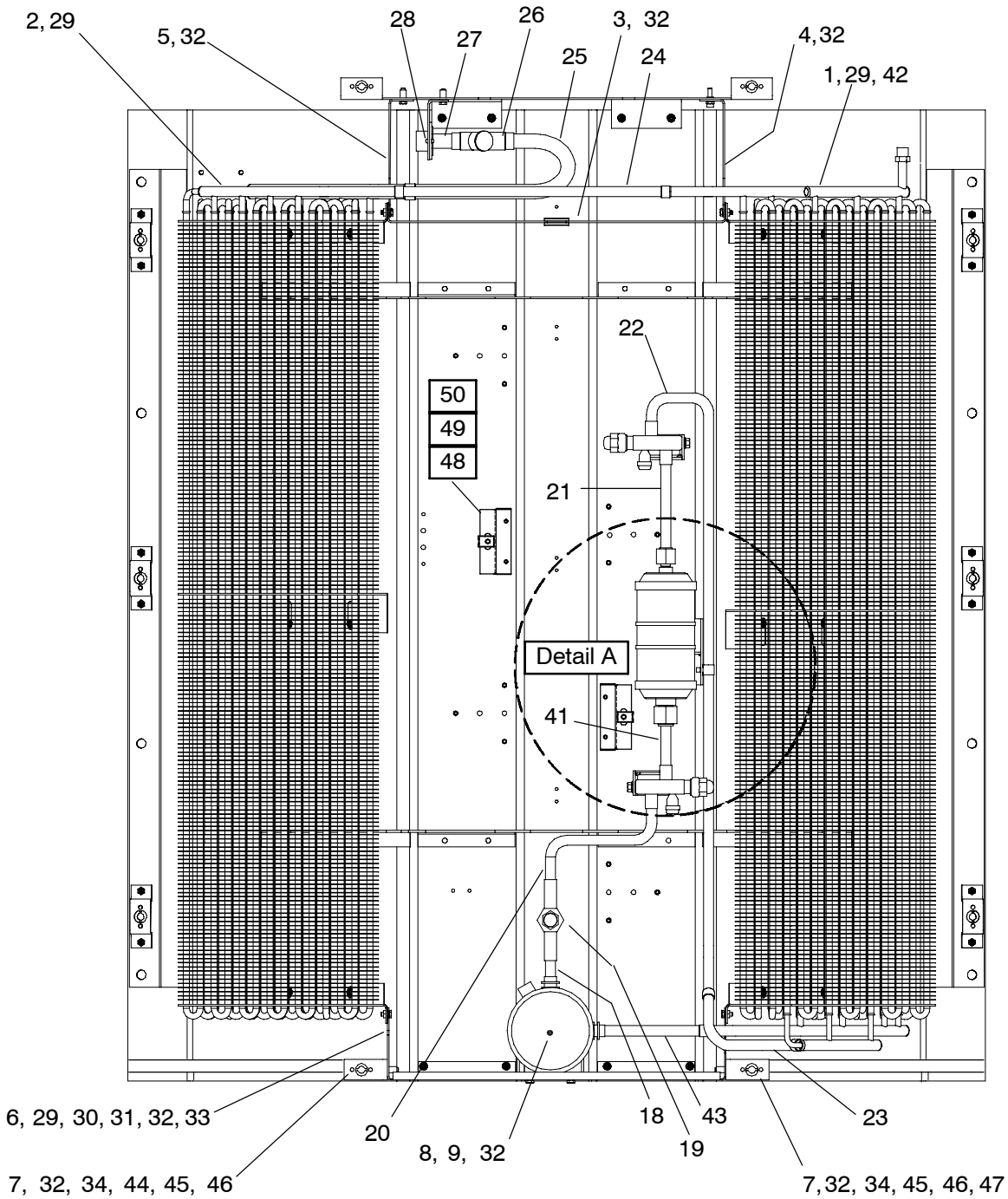
2.5.4 CONDENSER, 68KR4-101 SERIES, REFRIGERATION KIT, DUAL LOOP - OPTION 3



REF. KIT #77-62107-01 (LESS FILTERS & VALVES)

2.5.4 CONDENSER, 68KR4-101 SERIES, REFRIGERANT KIT DUAL LOOP - OPTION 3 - Continued:			
Item	Part Number	Description	Qty
1	08-62038-00	Coil, Condenser, Dual Loop, R.H.	1
2	08-62038-01	Coil, Condenser, Dual Loop, L.H.	1
3	68-63079-00	Bracket, Support Coil	1
4	68-62718-00	Bracket, Mounting, Tube Clamp	1
5	68-63084-00	Bracket, Mounting	1
6	68-63084-01	Bracket, Mounting	1
7	68-63158-00	Bracket, Support	1
8	65-62003-00	Receiver Assembly, Inlet Right, 5 Inch O.D.	1
9	65-62003-01	Receiver Assembly, Inlet Left, 5 Inch O.D.	1
10	14-01032-01	Plug, Fusible, 3/8 MPT	2
11	14-00029-04	Valve, Check, 5/8 ODF	2
12	44-00285-81	Clamp, Tube, Saddle, 5/8 Inch (With Cover Plate)	2
13	56-62231-00	Tube, Liquid, Bent, 5/8 OD X .040W Copper	2
14	56-62241-00	Tube, Liquid, Straight, 5/8 OD X .040W Copper	1
15	40-62032-01	Nut, Swivel Fitting, Male Insert O-Ring, 7/8-14 X 5/8 ODF	2
16	AC801-414	Gasket, Foam, 3/8 X 1.00 Inch X 25 Foot Roll	1
17	34-01266-20	Screw, Hex Head SEMS, Slotted, M6 X 20MM Long	28
18	34-00946-06	Nut, Hex, M6 X 1.00, Steel	31
19	34-00944-06	Washer, Plain, M6	19
20	34-00945-06	Washer, Lock, Split, M6	19
21	34-06051-104	Rivnut, M6 X 1.0, Grip Range: .028-.165	10
22	34-60002-06	Washer, Bellville, M6 (Conical Spring Steel)	12
23	86-62524-00	Bracket, Front, Support	1
24	56-62308-00	Tube, Bent, 5/8 OD x .040W Copper	1
25	56-62309-00	Tube, Bent, 5/8 OD x .040W Copper	1
26	34-62016-00	Plate, Locking	2
27	34-00928-09	Rivet, Blind, .156 Dia., Grip Range: .126-.250, SST	4
28	86-62524-01	Bracket, Front Support	1
29	68-63671-00	Bracket, Support	1
30	68-63682-00	Bracket, Support	2
31	AC701-402	Rivet, Blind, .187 Dia., Grip Range: .251-.375	4
32	AC701-101	Nut, Speed, "J" Type, 1/4-20	2

2.5.5 CONDENSER, 68KR4-101 SERIES, REFRIGERANT KIT, SINGLE LOOP - OPTION 2



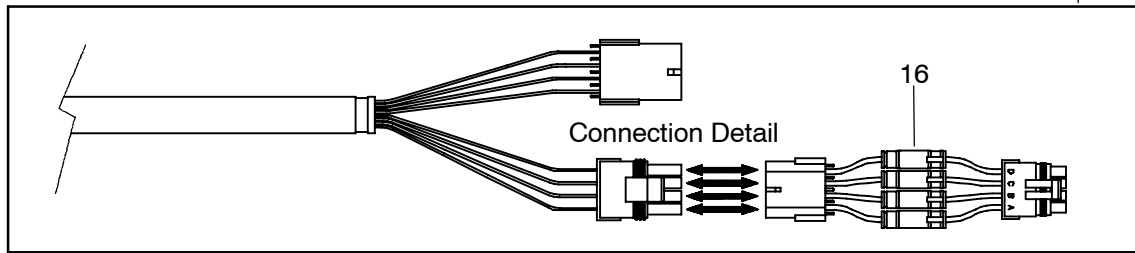
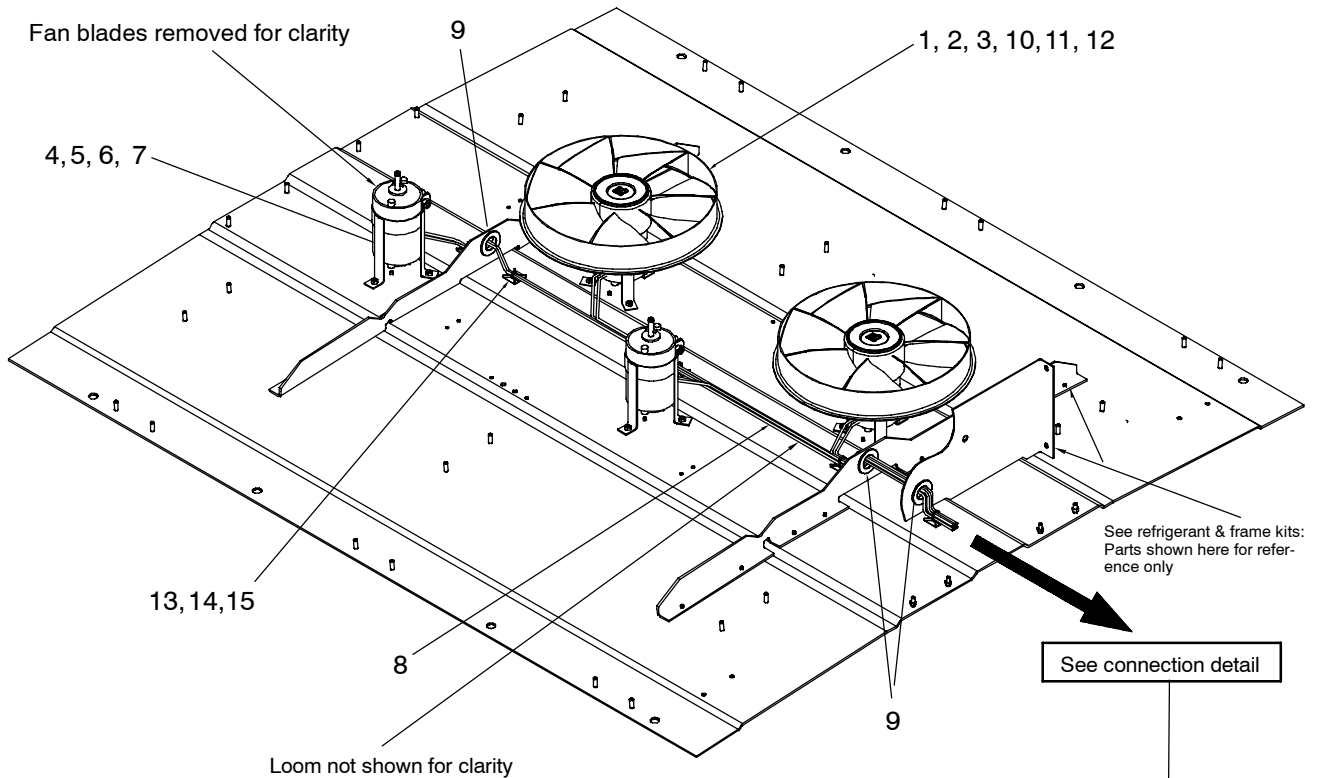
REF. KIT #77-62129-00

2.5.5 CONDENSER, 68KR4-101 SERIES, REFRIGERANT KIT, SINGLE LOOP - OPTION 2 - Continued:			
Item	Part Number	Description	Qty
1	08-62046-00	Coil Assembly, Condenser, Single Loop	1
2	08-62046-01	Coil Assembly, Condenser, Single Loop	1
3	68-63079-00	Bracket, Coil Support	1
4	68-63084-00	Bracket, Mounting	1
5	68-63084-01	Bracket, Mounting	1
6	68-63299-00	Bracket, Support	1
7	86-62524-00	Bracket, Front, Support	1
8	65-62003-01	Receiver Assembly, Inlet Left, 5 Inch OD	1
9	14-01032-01	Plug, Fusible, Safety, 3/8 NPTF	1
10	40-00501-05	Valve, King, Brass, 5/8 ODF	2
10A	40-00501-50Cap, King Valve, Service Part	2
11	14-00320-00	Filter Drier, 3/4 ORS Inlet X 5/8 ORS Outlet (41 Cu. In.) - Includes:	1
11A	42-00243-11	...O-Ring, .739 ID X .070 Thick	1
11B	42-00243-03	...O-Ring, .614 ID X .070 Thick	1
12	44-00045-20	Clamp, Hose, Worm Type, (3.063 - 4.00 Inches)	2
13	34-06121-04	Nut, Hex, ORS Braze (1-3/16-12 Threads)	1
14	40-00503-04	Collar, Tube, 5/8 ORS, Nickel Plated Steel	1
15	34-06121-03	Nut, Hex, ORS Braze (1-14 Threads)	1
16	40-00503-03	Collar, Tube - 5/8 ORS, Brass	1
17	34-00373-07	Clamp, Tube, 0.625 Dia. Cushioned	1
18	56-00143-89	Tube, Straight, Copper, 5/8 OD x .040W x 2.19 Inches Long	1
19	14-00026-04	Indicator, Liquid & Moisture, 5/8 ODF	1
20	56-62239-00	Tube, Discharge, Bent, 5/8 OD x .040W Copper	1
21	56-00143-24	Tube, Straight, Copper, 5/8 OD x .040 x 6.00 Inches Long	1
22	56-62240-00	Tube, Liquid, Bent, 5/8 OD x .040W Copper	1
23	56-62252-00	Tube, Liquid, Bent, 5/8 OD x .040W Copper	1
24	56-00145-87	Tube, Straight, Copper, 7/8 OD x .045W x 16.81 Inches Long	1
25	56-62253-00	Tube, Liquid, Bent, 7/8 OD x .045W Copper	1
26	14-00029-09	Valve, Check, 7/8 ODF	1
27	56-00145-26	Tube, Straight, Copper, 7/8 OD x .045W x 2.50 Inches Long	1
28	40-00491-00	Fitting, ORS, 7/8 x 1 3/16-12, Brass	1
29	34-00946-06	Nut, Hex, M6 X 1.00, Steel	22
30	34-00944-06	Washer, Plain, M6	10
31	34-00945-06	Washer, Lock, Split, M6	10
32	34-01266-20	Screw, Hex Head, SEMS, Slotted, M6 X 20MM Long	18
33	34-06051-104	Rivnut, M6 X 1.0, Grip Range	4
34	AC801-414	Gasket, Foam, .375 X 1.00 X 25 Foot Roll	1
35	34-00303-04	Screw, Cap, Hex Head, 5/16-24 X .50 Long	2
36	34-00588-12	Washer, Plain, 5/16 SAE, (.065 Thick)	2
37	34-00368-12	Washer, Lock, 5/16 Spring	2
38	34-01197-16	Screw, Cap, Hex Head, M4 X 16MM Long, SST	1
39	34-01151-04	Washer, Flat, M4, SST	1
40	34-01146-04	Washer, Lock, Split, M4, SST	1
41	56-00143-25	Tube, Straight, Copper, 5/8 OD x .040W x 3.00 Inches Long	1
42	34-60095-46	Washer, Lock, M6 X 18MM OD	12
43	56-62241-00	Tube, Liquid, Straight, 5/8 OD X .040W Copper	1
44	34-06088-00	Nut, Hex, 1-7/16-12, Brass	1

2.5.5 CONDENSER, 68KR4-101 SERIES, REFRIGERANT KIT, SINGLE LOOP - OPTION 2 - Continued:

Item	Part Number	Description	Qty
45	34-62016-00	Plate, Locking	2
46	34-00928-09	Rivet, Blind, .156 Dia., Grip Range: .126-.250, SST	4
47	86-62524-01	Bracket, Front, Support	1
48	68-63682-00	Bracket, Support	2
49	AC701-402	Rivet, Blind, .187 Dia., Grip Range: .251-.375	4
50	AC701-101	Nut, Speed, 'J' Type, 1/4-20	2

2.5.6 CONDENSER, 68KR4-101 SERIES, ELECTRICAL KIT - OPTION 1, 2, 3 & 4



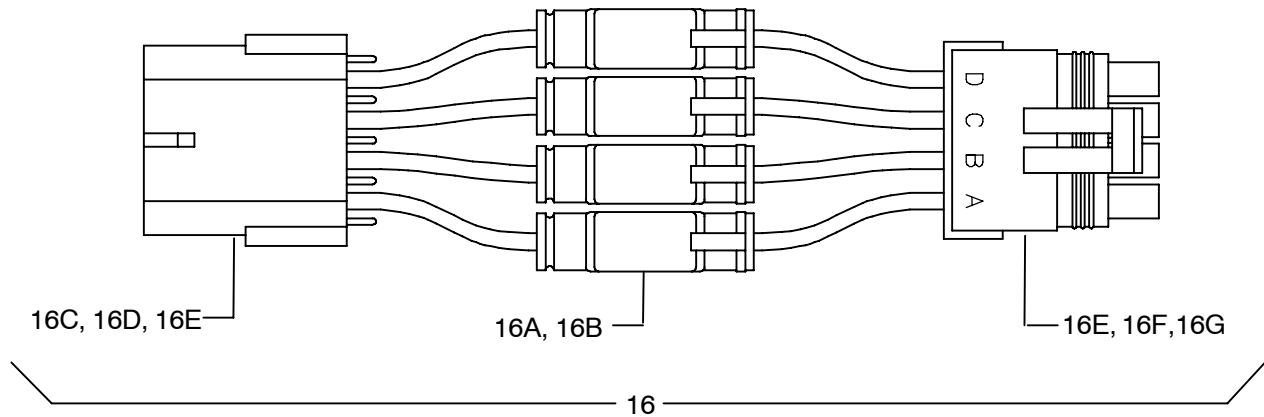
KIT #77-62109-00 (24VDC)
 KIT #77-62109-01 (12VDC)

KIT #77-62109-02 (24VDC W/FUSE)
 KIT #77-62109-03 (12VDC W/FUSE)

Item	Part Number	Description	Qty
OPTION 1			
1	54-00583-00	Motor, 24 VDC	4
OPTION 2			
1	54-00583-01	Motor, 12 VDC	4
OPTION 3			
1	54-00583-00	Motor, 24 VDC	4
16	22-62243-01	Fuse Assembly, 10 Amp, 24VDC	1
OPTION 4			
1	54-00583-01	Motor, 12 VDC	4
16	22-62243-00	Fuse Assembly, 15 Amp, 12VDC	1

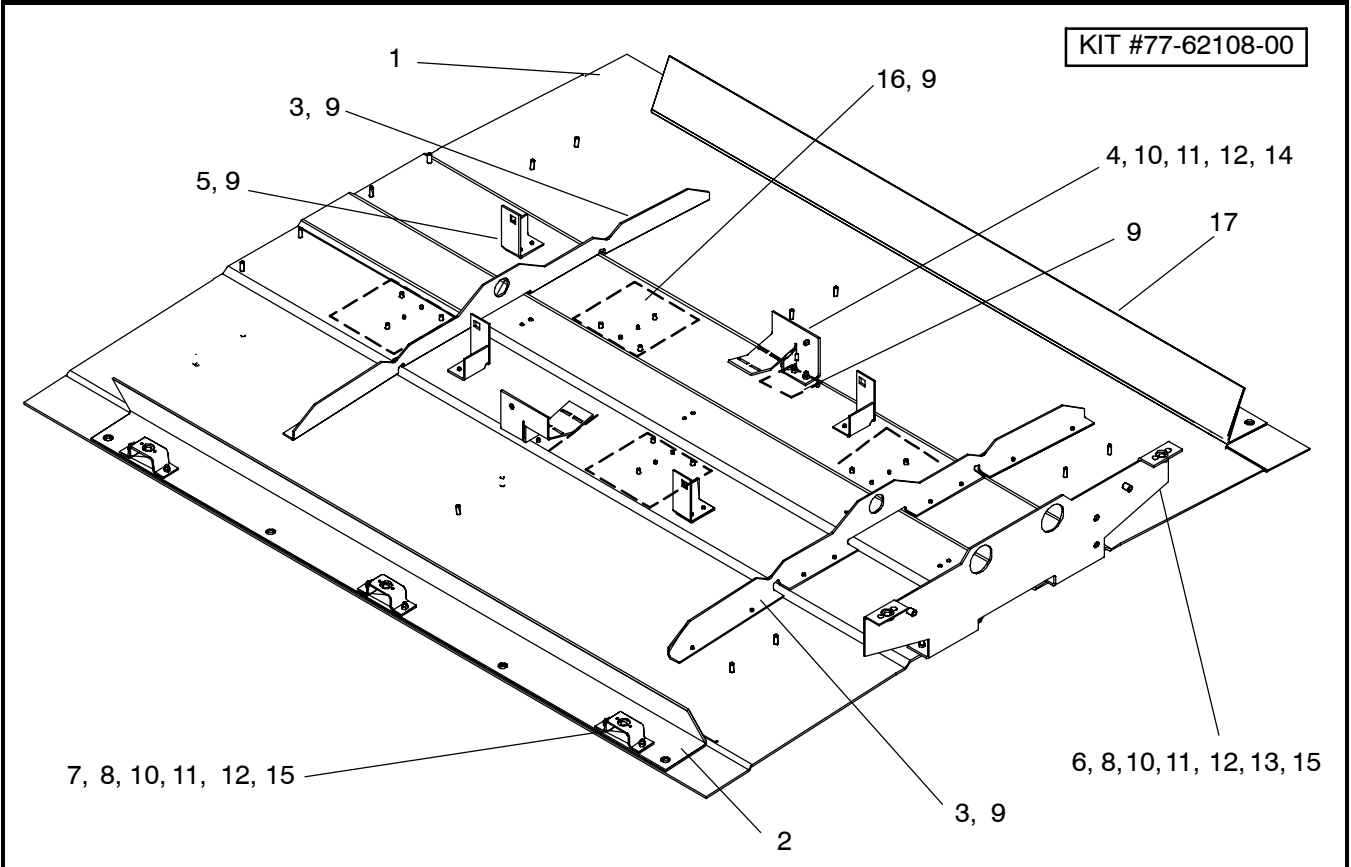
2.5.6 COMMON PARTS, 68KR4-101 SERIES, ELECTRICAL KIT - OPTION 1 THRU 4 - Continued:

Item	Part Number	Description	Qty
2	38-00566-00	Fan, Condenser	4
3	34-62017-00	Clip, Retaining, Condenser Fan	4
4	86-62216-01	Motor Mount, 3 Inch	4
5	34-00944-08	Washer, Plain, M8	1
6	34-00945-08	Washer, Split Lock, M8	1
7	34-01241-30	Screw, Cap, Hex Head, M8 x 30 MM Long, GR 10.9	1
8	22-62153-00	Wire Harness, KR4, DC Motors	1
9	58-00065-51	Grommet, 7/8 I.D.	3
10	22-01585-00	Connector, Male, 2 Pin Weatherpack	4
11	22-02393-01	Terminal, Male, 18-20 AWG	8
12	22-02394-01	Seal, Cable	8
13	66U1-3882	Wire Tie, Self-Locking, 7 Inches, Black	5
14	58-00079-02	Sta-Strap, 0-1.75 Inch Diameter Cable	5
15	34-00928-09	Rivet, Blind, .156 Diameter	10



Item	Part Number	Description	Qty
16	22-62243-00	Fuse Assembly, 15 Amp, 12VDC - Includes:	1
16A	22-02336-24Fuse, 15 Amps, Blue	4
16B	22-02338-03Holder, Fuse	4
16C	22-02392-03Connector, Female, , 4 Pin, Black	1
16D	22-01566-00Terminal, Female (14-16 AWG)	4
16E	22-02394-00Seal, Cable, Gray (.11-.14 Cable OD)	8
16F	22-01585-04Connector, Male, 4 Pin, Black	1
16G	22-02393-00Terminal, Male (14-16 AWG)	4
16	22-62243-01	Fuse Assembly, 10 Amp, 24VDC - Includes:	1
16A	22-02336-23Fuse, 10 Amps, Red	4
16B	22-02338-03Holder, Fuse	4
16C	22-02392-03Connector, Female, , 4 Pin, Black	1
16D	22-01566-00Terminal, Female (14-16 AWG)	4
16E	22-02394-00Seal, Cable, Gray (.11-.14 Cable OD)	8
16F	22-01585-04Connector, Male, 4 Pin, Black	1
16G	22-02393-00Terminal, Male (14-16 AWG)	4
N/S	02-00067-01	Sealant, Caulking, Black (10.3 Ounce Tube)	1

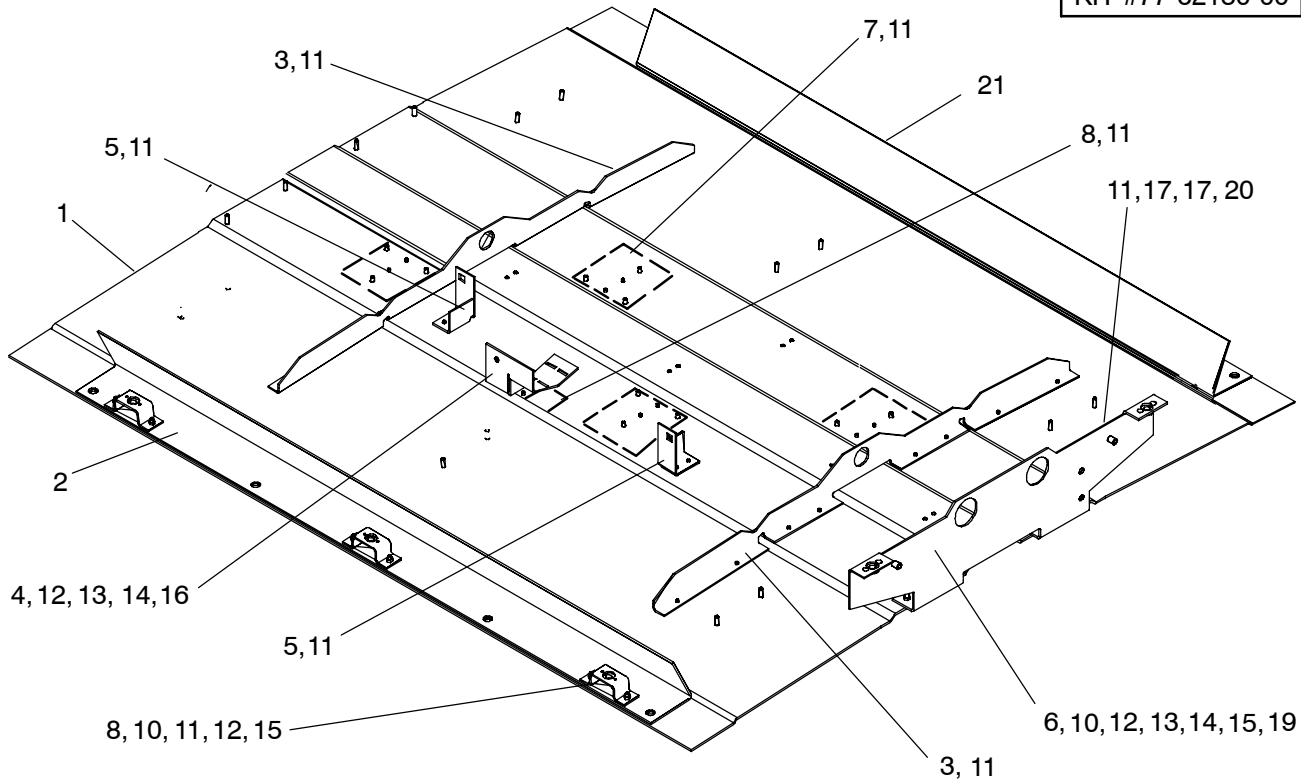
2.5.7 68KR4-101 SERIES, FRAME KIT, DUAL LOOP - OPTION 1



Item	Part Number	Description	Qty
1	68-63694-00	Plate Assembly	1
2	68-63760-00	Angle, Support	1
3	68-63699-00	Bracket	2
4	86-62320-00	Bracket Assembly, Filter Drier	2
5	86-62300-00	Bracket Assembly, King Valve	4
6	68-63076-00	Bracket	1
7	68-63214-00	Bracket, Mounting	6
8	34-62016-00	Plate, Locking	8
9	34-62021-00	Rivet, 3/16 Inch	36
10	34-00946-06	Nut, Hex, M6 X 1.00	20
11	34-00944-06	Washer, Flat, M6	20
12	34-00945-06	Washer, Lock, M6 Spring	20
13	34-06051-104	Rivnut, M6	2
14	34-06051-101	Rivnut, M4 X 0.7	2
15	34-00928-09	Rivet, Blind, .156 Diameter	16
16	68-62765-00	Plate, Mounting	4
17	68-63760-01	Angle, Support	1

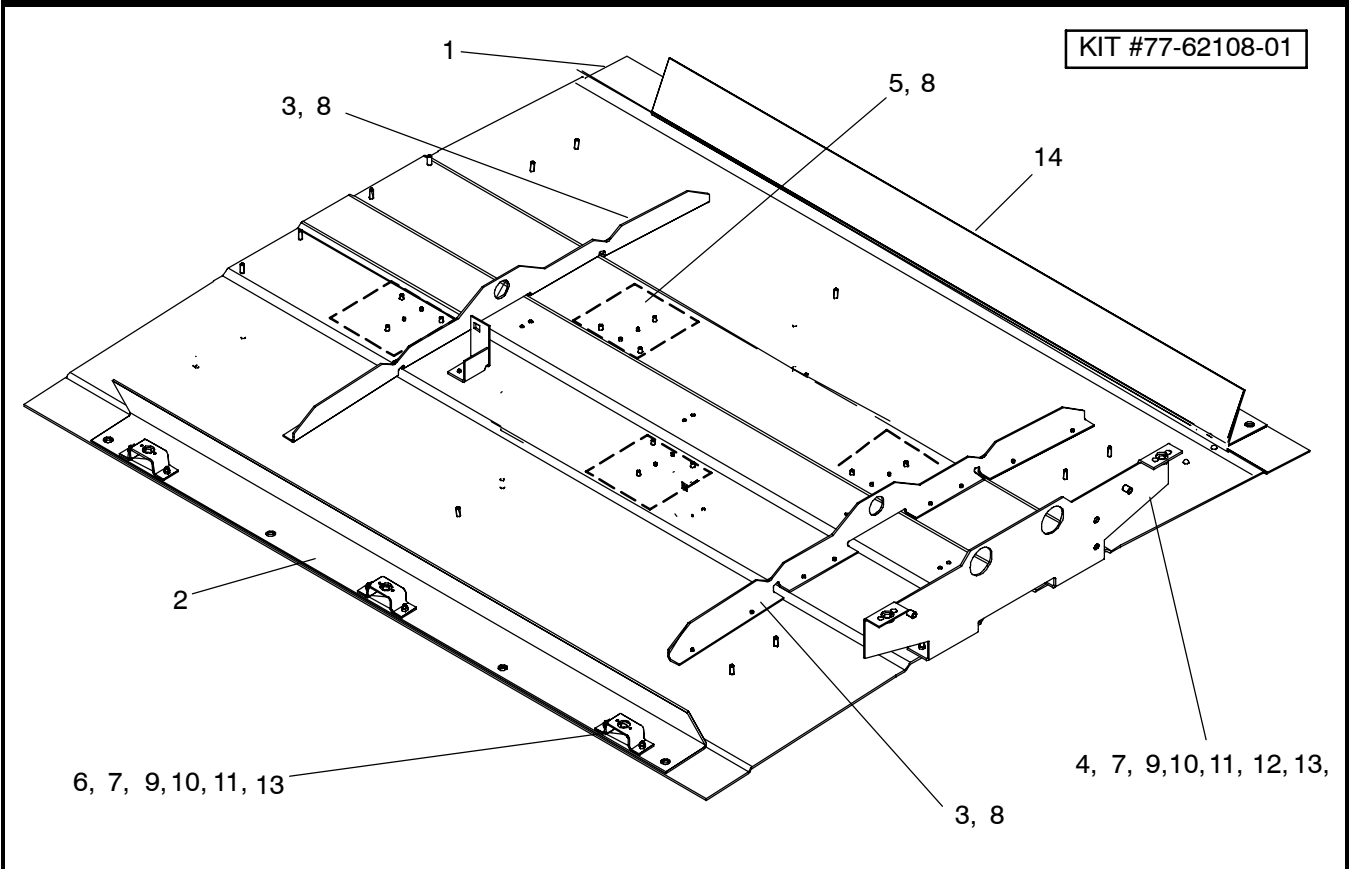
2.5.8 CONDENSER, 68KR4-101 SERIES, FRAME KIT, SINGLE LOOP - OPTION 2

KIT #77-62130-00



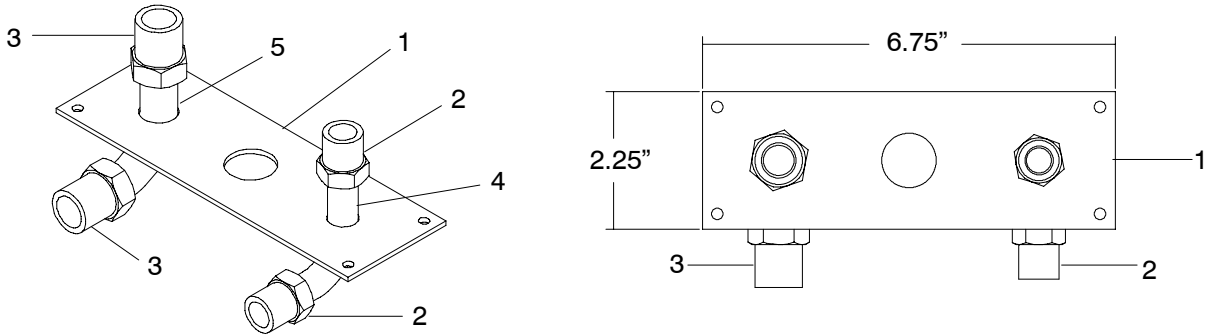
Item	Part Number	Description	Qty
1	68-63694-00	Plate Assembly	1
2	68-63760-00	Angle, Support	1
3	68-63699-00	Bracket, Support	2
4	86-62320-00	Bracket Assembly, Filter Drier	1
5	86-62300-00	Bracket Assembly, King Valve	2
6	68-63076-00	Bracket, Support	1
7	68-62765-00	Plate, Mounting	4
8	68-63113-00	Plate, Mounting	1
9	68-63214-00	Bracket, Mounting, Cover	6
10	34-62016-00	Receptacle, Locking Plate	8
11	34-62021-00	Rivet, Blind, Dome Head, 3/16 Inch Dia., Grip Range: .126-.250	32
12	34-00946-06	Nut, Hex, M6 X 1.00	18
13	34-00944-06	Washer, Flat, M6	18
14	34-00945-06	Washer, Split Lock, M6	18
15	34-06051-104	Rivnut, M6 X 1.0, Grip Range: .028-.165	4
16	34-06051-101	Rivnut, M4 X 0.7, Grip Range: .080-.130	1
17	68-63166-00	Bracket, Support	1
18	68-63167-00	Plate, Mounting	1
19	34-00928-09	Rivet, Blind, .156 Dia., Grip Range: .126-.250, SST	16
20	34-01266-20	Screw, Hex Head, Slotted, Sems, M6 X 20MM	2
21	68-63760-01	Angle, Support	1

2.5.9 68KR4-101 SERIES, FRAME KIT, DUAL LOOP, LESS FILTERS & VALVES - OPTION 3



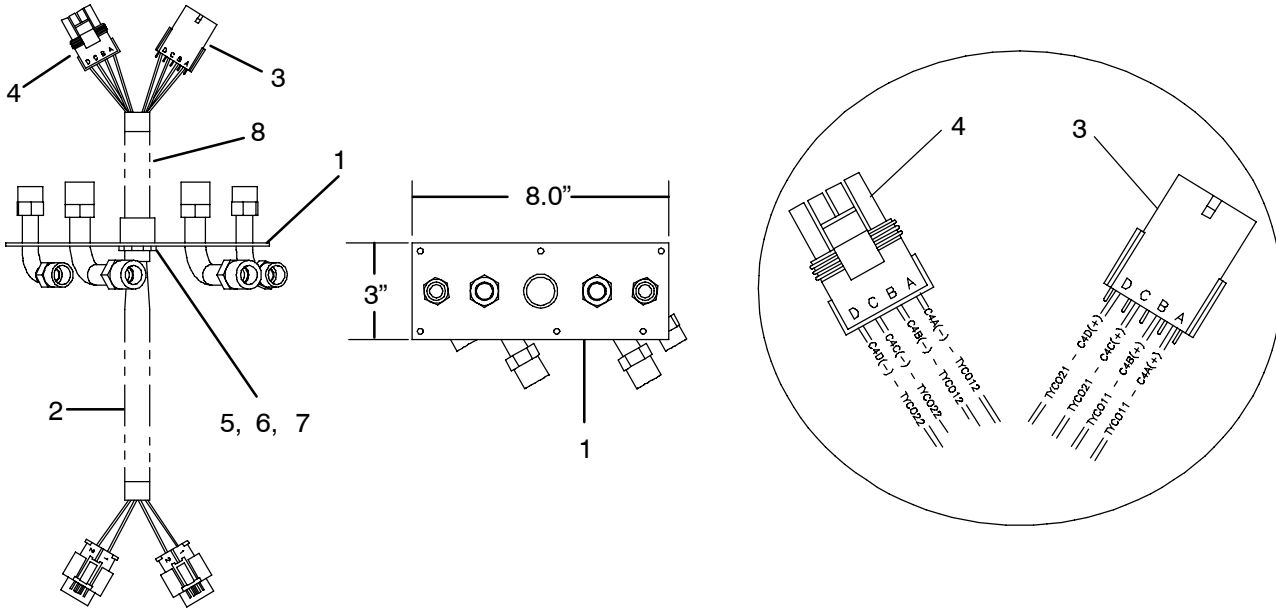
Item	Part Number	Description	Qty
1	68-63694-00	Plate Assembly	1
2	68-63760-00	Angle, Support	1
3	68-63699-00	Bracket, Support	2
4	86-63076-00	Bracket, Support	1
5	68-62765-00	Plate, Mounting	4
6	68-63214-00	Bracket, Mounting, Cover	6
7	34-62016-00	Receptacle, Locking Plate	8
8	34-62021-00	Rivet, Blind, Dome Head, 3/16Dia., Grip Range: .126-.250	26
9	34-00946-06	Nut, Hex, M6 X 1.00	16
10	34-00944-06	Washer, Flat, M6	16
11	34-00945-06	Washer, Split Lock, M6	16
12	34-06051-104	Rivnut, M6 x 1.0, Grip Range: .028-.165	2
13	34-00928-09	Rivet, Blind, .156 Dia., Grip Range: .126-.250	16
14	68-63760-01	Angle, Support	1

2.5.10 KR4 FEED-THROUGH PLATE ASSEMBLY (81-62151-00)



Item	Part Number	Description	Qty
1	68-63691-00	Plate Assembly (6.75 x 2.25 Inches)	1
2	40-62032-02	Nut, 3/4-16 UNF x 1/2 OD	2
3	40-62032-01	Nut, 7/8-14 UNF x 5/8 OD	2
4	56-62037-01	Tube, 1/2 OD	1
5	56-62311-00	Tube, 5/8 OD	1

2.5.11 KR4 BULKHEAD FEED-THROUGH ASSEMBLY (79-62105-00)



Item	Part Number	Description	Qty
1	81-62147-00	Plate Assembly, Feed-Through Bulkhead, KR4 (8 x 3 Inches)	1
2	22-62249-00	Harness, Interface, KR4 - Includes:	1
2A	22-50098-71Connector, Female, 2 Pin, Black	2
2B	22-02393-00Terminal, Male (14-16 AWG)	4
2C	22-01566-00Terminal, Female (14-16 AWG)	4
2D	22-02394-00Seal, Cable, Gray (.11-.14 Cable OD)	8
3	22-02392-03	Connector, Female, 4 Pin, Black	1
4	22-01585-04	Connector, Male, 4 Pin, Black	1
5	58-62172-00	Adapter, Male Terminal, 1/2. Gray	1
6	22-00118-02	Nut, Lock, 1/2 Inch, Conduit	1
7	AC801-203	O-Ring	1
8	58-00849-11	Tubing, Split, Corrugated, 5/8 Inch x 7.50 Feet Long	1

SECTION 2.6 CONDENSER, 68KR2/3-101 SERIES

INTRODUCTION

The Carrier Transicold model 68KR2/3 series condensers are of lightweight frame construction, designed to be installed on the vehicle roof.

CONFIGURATION IDENTIFICATION

Unit identification information is provided on a plate located inside the condenser. The plate provides the unit model number, the unit serial number and the unit parts identification number (PID). The model number identifies the overall unit configuration while the PID provides information on specific optional equipment and differences in detailed parts.

This section provides a description of and a tabular listing of unit model numbers and PID numbers to assist the reader in identifying the equipment supplied and any required service parts.

OPTION DESCRIPTION

Various options may be factory or field equipped to the base unit. These options are listed in the tables and described in the following subparagraphs.

Cover Kit

The top cover is designed to allow for different mounting arrangements on high roof radius, low roof radius and flat roof configurations.

Electrical Kit

The unit may be fitted with 12 or 24 volt fan motors, or with, or without in-line fuse assemblies.

OPTION LEGEND

Cover Kit KR2	
1	Top Cover - KR2 Flat Roof Radius
2	Top Cover - KR2 High Roof Radius
Cover Kit KR3	
1	Top Cover - KR3 Flat Roof Radius
2	Top Cover - KR3 High Roof Radius
3	Top Cover - KR3 Intermediate Roof Radius
Electrical Kit	
1	12 VDC W/PM Motors
2	24 VDC W/PM Motors
3	12 VDC W/PM Motors & In-Line Fuses
4	24 VDC W/PM Motors & In-Line Fuses

OPTION TABLE

MODEL 68KR2	PID Condenser KR2	Cover Kit	Electrical Kit
-101	00073	1	1
-101-1	00075	1	2
-101-2	00076	2	1
-101-3	00077	2	1
-101-4	00103	1	3
-101-5	00104	1	4
-101-6	00105	2	3
-101-7	00106	2	4
-101-8	00107	1	1
-101-9	00108	1	3
-101-10	00109	1	1
-101-11	00110	1	1
-101-12	00111	1	3

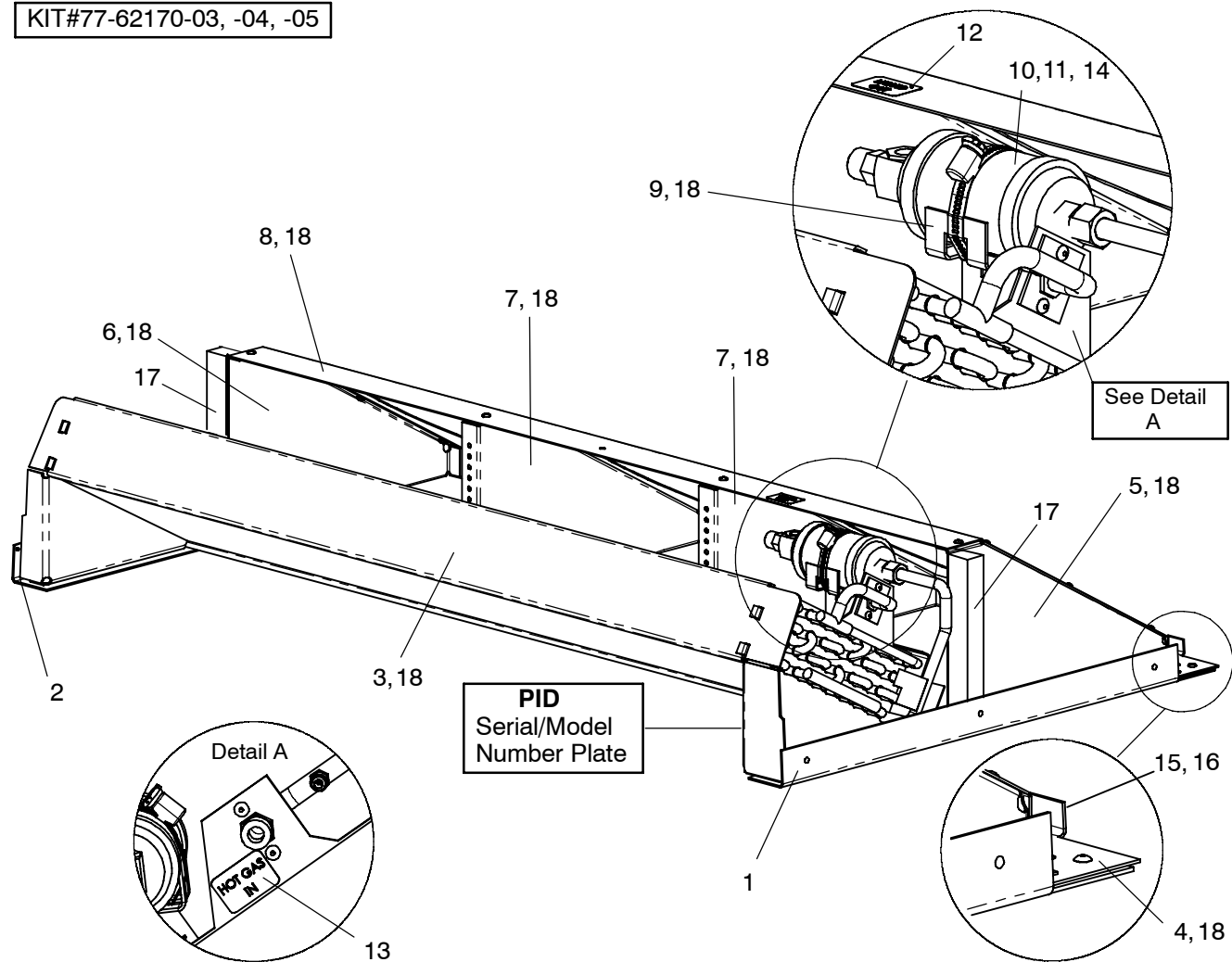
OPTION TABLE

MODEL 68KR3	PID Condenser KR3	Cover Kit	Electrical Kit
-101	00074	1	1
-101-1	00078	1	2
-101-2	00079	2	1
-101-3	00080	2	2
-101-4	00107	3	1
-101-5	00108	3	2
-101-6	00099	1	3
-101-7	00100	1	4
-101-8	00101	2	3
-101-9	00102	2	4
-101-10	00109	3	3
-101-11	00110	3	4
-101-12	00111	1	1
-101-13	00112	1	3
-101-14	00113	1	1
-101-15	00114	1	3
-101-16	00115	1	1
-101-17	00116	1	1
-101-18	00117	1	3

SECTION 2.7 CONDENSER, 68KR3-101 SERIES

2.7.1 CONDENSER, 68KR3-101 SERIES - FRAME KIT

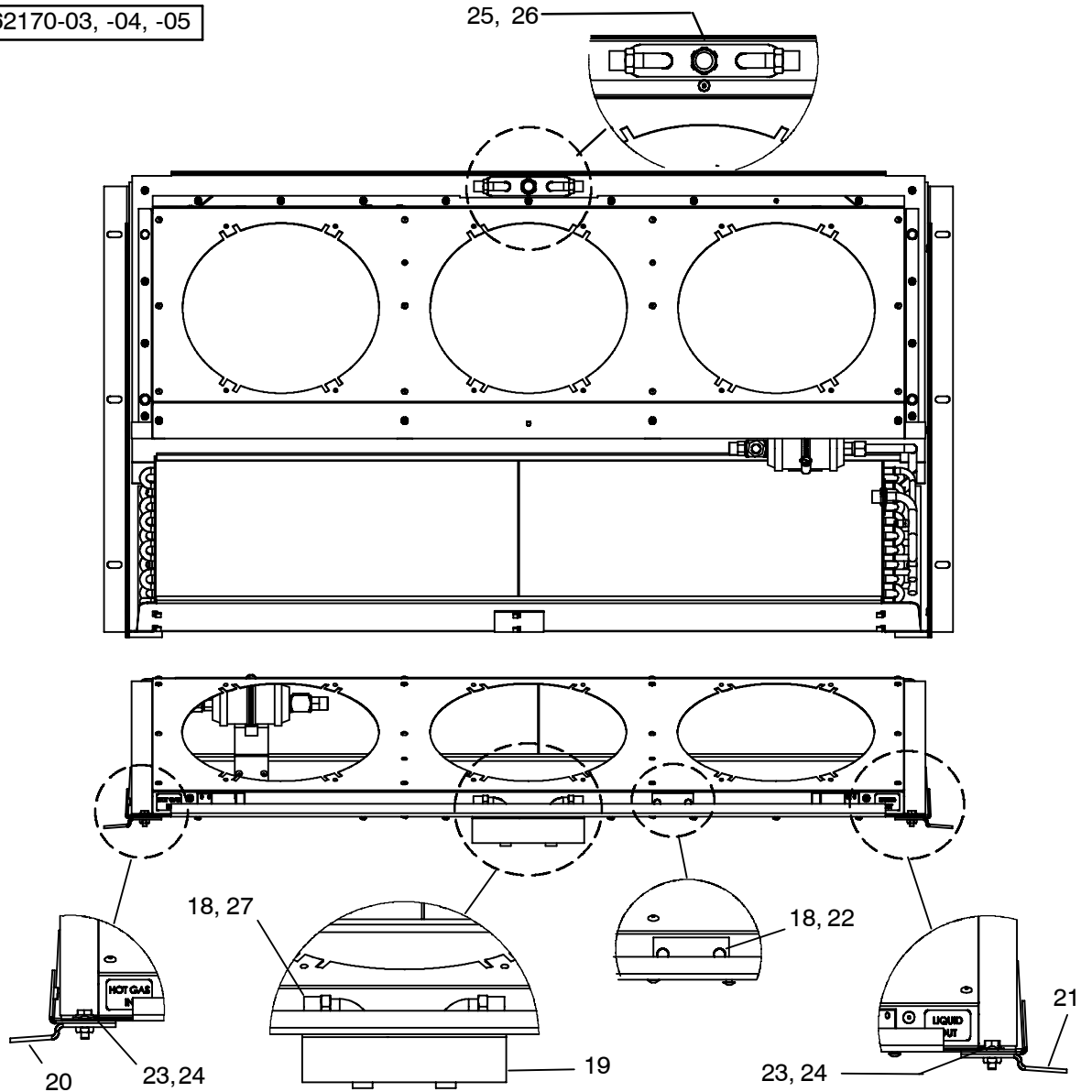
KIT#77-62170-03, -04, -05



Item	Part Number	Description	Qty
1	67-62004-00	Bracket Assembly, Interface Control, Painted, KR2/3	1
2	67-62004-01	Bracket Assembly, Interface Control, Painted, KR2/3	1
3	08-62057-01	Coil Assembly, Condenser, KR3	1
4	68-63689-01	Pan, Painted, KR3	1
5	68-63509-00	Bracket, Painted, KR2/3	1
6	68-63509-01	Bracket, Painted, KR2/3	1
7	67-62006-00	Bracket Assembly, Interface Control, Painted, KR2/3	2
8	67-62005-01	Panel Assembly, Interface Control, Painted, KR3	1
9	68-63486-00	Bracket, Mounting, Filter Drier, Painted, KR2/3	1
10	14-00288-00	Filter Drier, Sight Glass, 1/2 Inch M.O.R. (16 Cubic Inch)	1
11	AC701-269	Clamp, Filter Drier, Worm Type, Range: 2.06 to 3.00	1
12	62-62042-15	Label, "Liquid Out"	1
13	62-62042-14	Label, "Hot Gas In"	1
14	AC801-202	O-Ring, 1/2 Inch, HNBR	1
15	68-63605-00	Bracket, Mounting	2
16	AC801-412F25	Gasket, Trimlok, Black (25 Ft. Roll)	1
17	42-00221-22	Gasket, Foam, 1.00 Thick x .38 Wide x 8.03 Long, Adhesive Backed	2
18	34-00928-14	Rivet, Blind, .187 Diameter, Grip Range: .251-.375	A/R

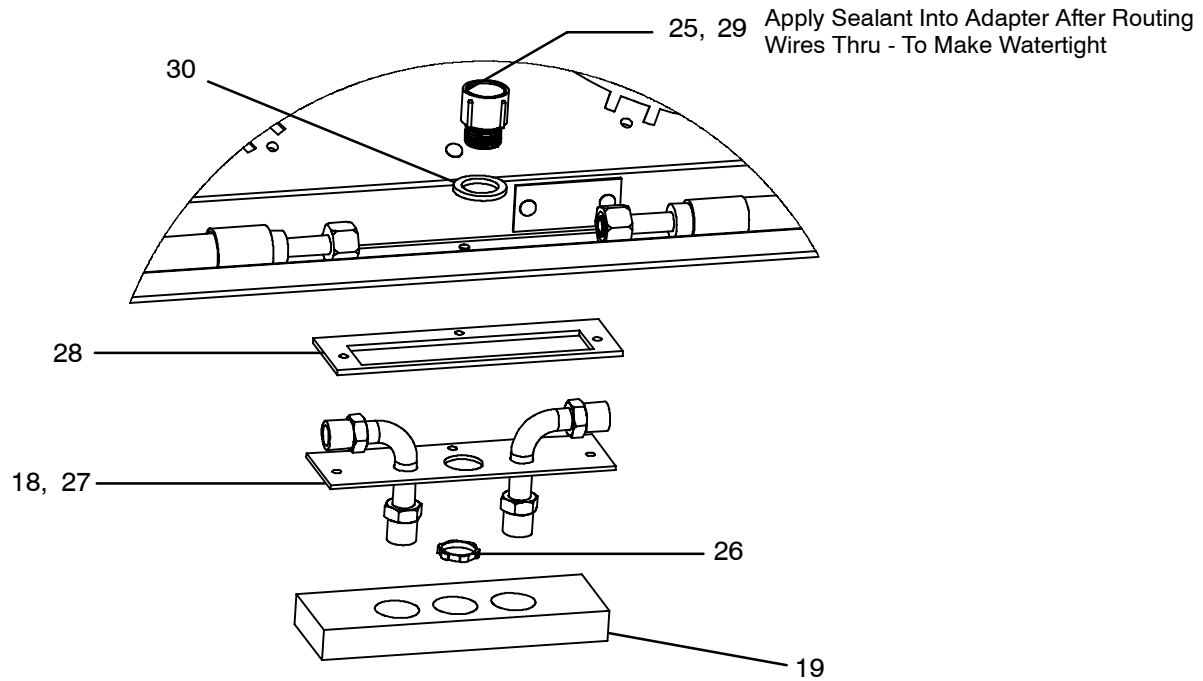
2.7.2 CONDENSER, 68KR3-101 SERIES - FRAME KIT WITH FEED-THRU PLATE

KIT#77-62170-03, -04, -05



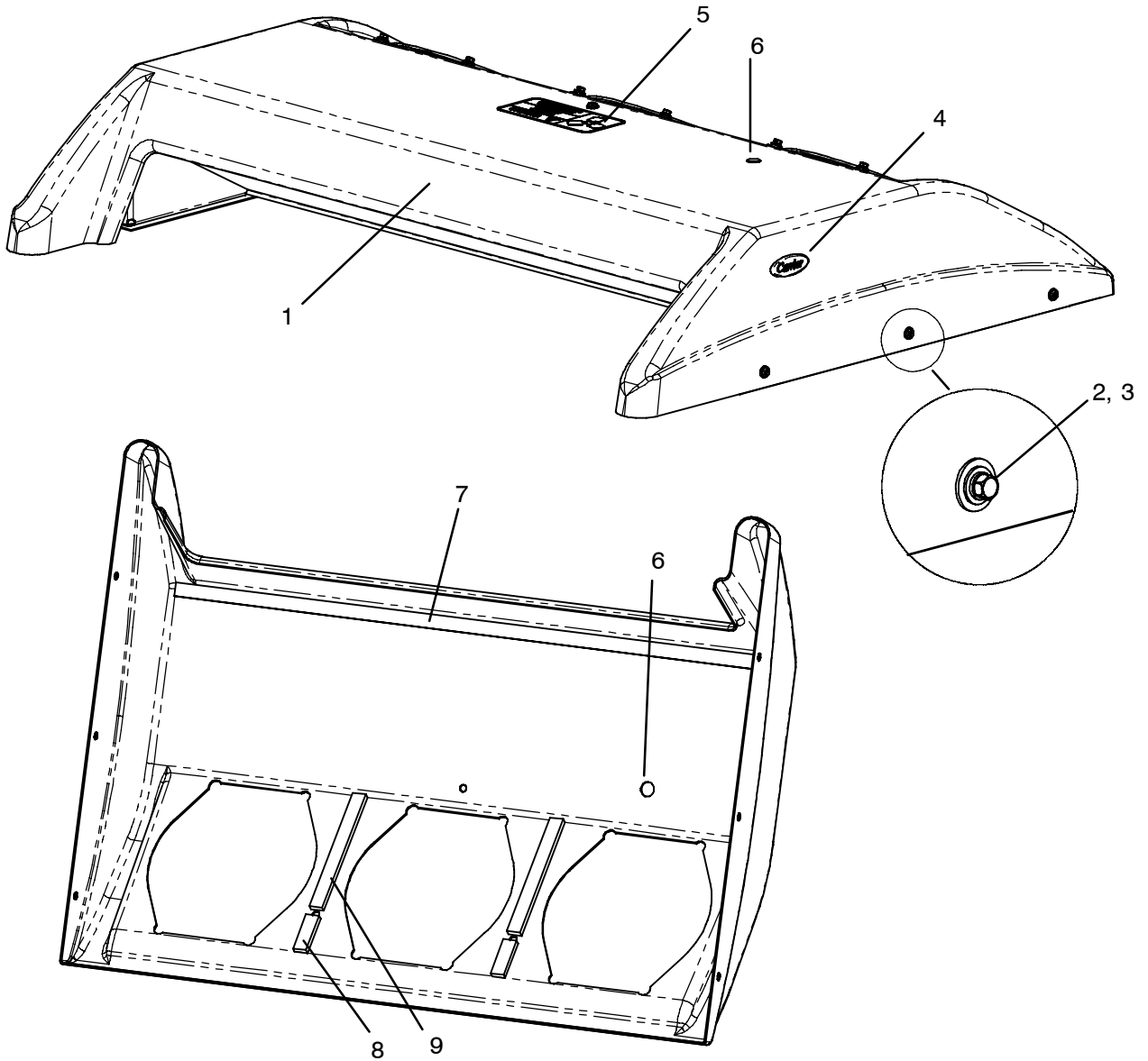
Item	Part Number	Description	Qty
19	42-62127-00	Insulation, Foam, Feed-Thru Plate Assembly	1
	42-62127-01	Insulation, Foam, Feed-Thru Plate Assembly (-04 Kit Only)	1
	42-62127-03	Insulation, Foam, Feed-Thru Plate Assembly (-05 Kit Only)	1
20	67-62007-04	Bracket, Unit Mounting	1
	67-62009-00	Bracket, Unit Mounting (-05 Kit Only)	1
21	67-62007-05	Bracket, Unit Mounting	1
	67-62009-01	Bracket, Unit Mounting (-05 Kit Only)	1
22	68-63656-00	Plate, Block-Off, Panel Assembly	1
23	34-00300-06	Screw, Cap, Hex Head, 1/4-20 x 0.75 Inches Long, Zinc	6
24	34-00368-11	Washer, Splitlock, 1/4 Inch, Zinc	6
25	58-62172-00	Adapter, Terminal, Male, 1/2 Gray	1
26	22-00118-02	Nut, Lock, 1/2 Inch Conduit	1
27	81-62145-00	Plate Assembly, Connection, Feed-Thru	1
	81-62145-01	Plate Assembly, Connection, Feed-Thru (-04 & -05 Kit)	1

2.7.2 CONDENSER, 68KR3-101 SERIES - FRAME KIT WITH FEED-THRU PLATE - Continued:



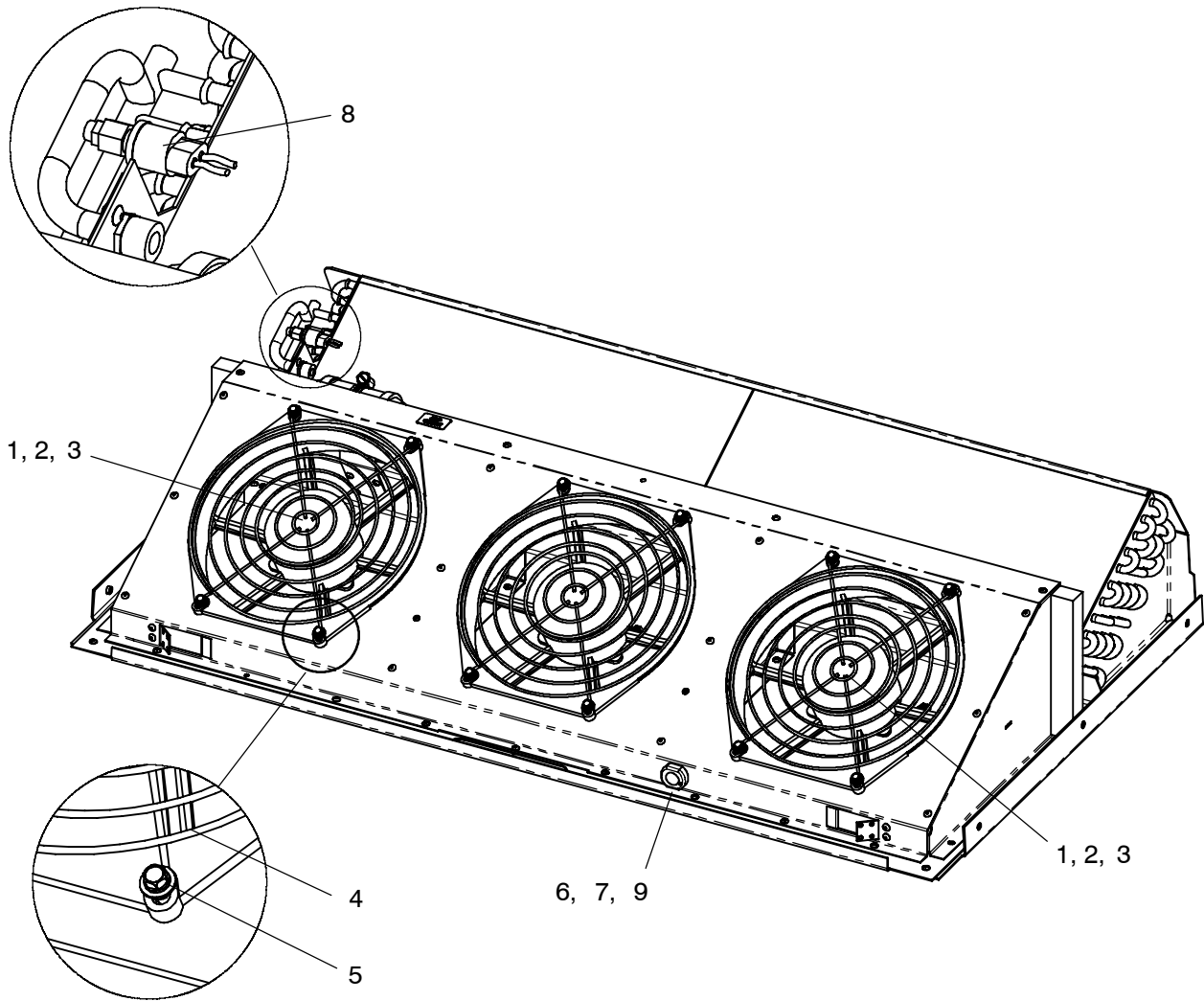
Item	Part Number	Description	Qty
28	42-62141-00	Gasket, Neoprene, Feed-thru Assembly	1
29	02-62001-01	Sealant, Adhesive Caulk, White (10.3 Ounce Tube)	1
30	34-01268-01	Washer, Sealing, 1/2 Inch, NPT	1
N/S	58-62025-14	Hose Assembly, Ref., #8, 1/2 F.O.R. Straight x 1/2 F.O.R. Straight	1
N/S	58-62025-15	Hose Assembly, Ref., #10, 1/2 F.O.R. 90 Degree x 1/2 F.O.R. Straight	1

2.7.3 CONDENSER, 68KR3-101 SERIES - COVER KIT - 77-62171-01, -03, -04 & -06



Item	Part Number	Description	Qty
1	58-62164-00	Cover, Condenser, KR3, Flat (77-62171-01)	1
	58-62164-01	Cover, Condenser, KR3, 196.85 Radius (77-62171-03)	1
	58-62164-02	Cover, Condenser, KR3, 275.59 Radius (77-62171-04)	1
	58-62127-01	Cover, Condenser, KR3, Standard (Flat) Radius (77-62171-06)	1
2	34-62011-00	Screw, Hex Head, Sems, W/Lock Washer 1/4-20 X 1.00 Inch Long, SST	9
3	34-00829-11	Washer, Flat, 1/4 Inch, SST	9
4	AC022-289	Decal, Carrier	2
5	62-62045-00	Label, Warning, Fan Blades & Disconnect Power	1
6	AC801-342	Plug, Clear, 1.00 Inch Diameter Hole	1
7	42-00221-18	Gasket, Foam, 1.00 Thick x .38 Wide x 46.50 Long, Adhesive Backed	1
8	42-00221-21	Gasket, Foam, 1.00 Thick x .38 Wide x 2.80 Long, Adhesive Backed	2
9	42-00221-20	Gasket, Foam, 1.00 Thick x .38 Wide x 9.32 Long, Adhesive Backed	2

2.7.4 CONDENSER, 68KR3-101 SERIES - ELECTRICAL KITS - (77-62172-01, -03, -05, -07)



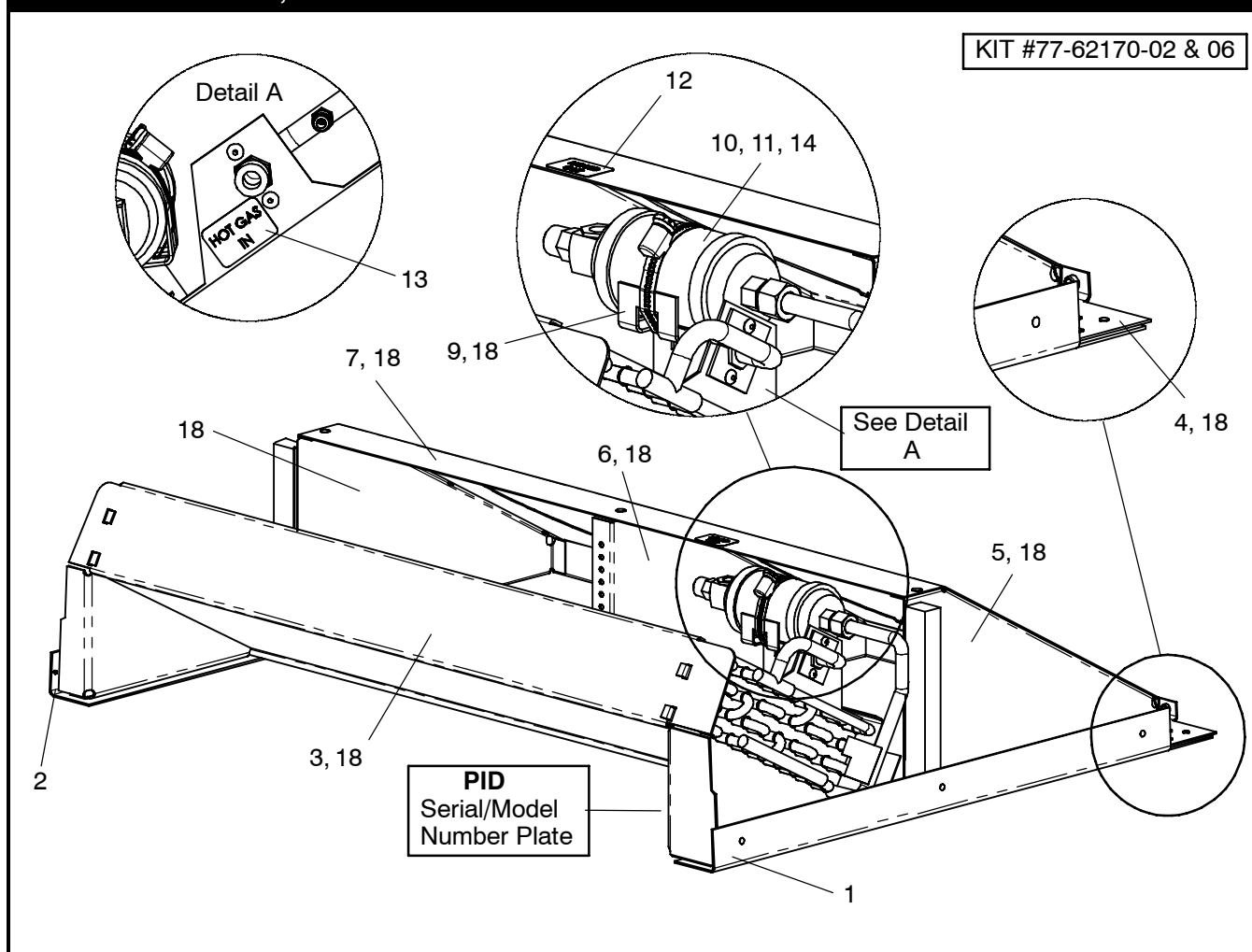
Item	Part Number	Description	Qty
1	54-00618-01	Fan & Motor Assembly, Vector, 12V (No Replacement Motor)	3
	AC401-110	Fan & Motor Assembly, 12 VDC - Includes:	3
2	54-50080-00Motor, Fan 12 VDC	1
2A	22-02336-25Fuse, 20 Amp	1
3	44-50024-00Clip, Fan Blade	1
1	54-00545-00	Fan & Motor Assembly, 24 VDC	3
4	AC030-234	Guard, Fan, Condenser	3
5	34-62011-00	Bolt, Hex Head, Sems, With Lock Washer, 1/4-20 X 1 Inch, SST	12
6	22-62236-00	Harness Assembly, (KR-3)	1
7	66U1-3882	Wire Tie, Self-Locking, 7 Inch, Black	9
8	AC201-414	Switch, Pressure, 1/4 Inch Female Flare (400-300 PSIG)	1
9	58-62019-00	Bushing, Harness, Strain Relief	1

2.7.5 CONDENSER, 68KR3-101 SERIES - PACKAGE KITS - 77-62173-01, -03, -09, -12 & -14			
Item	Part Number	Description	Qty
N/S	58-62025-08	Hose Assembly, Ref., #8, 1/2 F.O.R. Straight x 1/2 F.O.R. 90 Degree, KR3	1
N/S	58-62025-09	Hose Assembly, Ref., #10, 1/2 F.O.R. 90 Degree x 1/2 F.O.R. 90 Degree, KR3	1
N/S	81-62138-00	Plate Assembly, Connections, Feed-Thru, Radius Roof (See Sec. 2.10)	1
N/S	81-62138-01	Plate Assembly, Connections, Feed-Thru, Flat Roof (See Sec. 2.10)	1
N/S	81-62138-02	Plate Assembly, Connections, Feed-Thru, Flat Roof (See Sec. 2.10)	1
N/S	81-62156-00	Plate Assembly, Connections, Feed-Thru, Flat Roof (-12 ONLY) (See Sec. 2.10)	1
N/S	67-62007-00	Bracket, Unit Mounting	1
N/S	67-62007-01	Bracket, Unit Mounting	1
N/S	34-00300-08	Screw, Cap, Hex Head, 1/4-20 x 1.00 Inch Long, Zinc	6
N/S	34-00588-11	Washer, PLain, 1/4, SAE, .065 Thick	6
N/S	34-00368-11	Washer, Split Lock, 1/4 Inch, Zinc	6
N/S	64-01213-00	Tape, Gummed, Reinforced, 3.00 Inches Wide x The Foot	4
N/S	02-62001-01	Sealant, Adhesive Caulk, White (10.3 Ounce Tube)	1
N/S	34-01295-18	Rivet, Pop, 3/16, Aluminum	4
N/S	22-01451-00	Butt Splice, Insulated, Red (#16-22 AWG)	2
N/S	AC202-207	Tubing, Heat Shrink, 3/4 Inch I.D. W/Adhesive (Range: #1-8 AWG)	3
N/S	22-01292-03	Butt Splice, Non-Insulated (#8 AWG)	1
N/S	40-62017-00	Fitting, "Y", #8 Hose x #8 x #8 Hose, Quick-Click (-14 Only)	1
N/S	34-60019-03	Clamp, Quick-Click, #8 Hose (-14 Only)	3
2.7.6 CONDENSER, 68KR3-101 SERIES - PACKAGE KIT - 77-62173-05			
Item	Part Number	Description	Qty
N/S	58-62025-14	Hose Assembly, Ref., #8, 1/2 F.O.R. Straight x 1/2 F.O.R. Straight, KR3	1
N/S	58-62025-15	Hose Assembly, Ref., #10, 1/2 F.O.R. 90 Degree x 1/2 F.O.R. Straight, KR3	1
N/S	67-62007-00	Bracket, Unit Mounting	1
N/S	67-62007-01	Bracket, Unit Mounting	1
N/S	34-00300-08	Screw, Cap, Hex Head, 1/4-20 x 1.00 Inch Long, Zinc	6
N/S	34-00588-11	Washer, PLain, 1/4, SAE, .065 Thick	6
N/S	34-00368-11	Washer, Split Lock, 1/4 Inch, Zinc	6
N/S	64-01213-00	Tape, Gummed, Reinforced, 3.00 Inches Wide x The Foot	4
N/S	02-62001-01	Sealant, Adhesive Caulk, White (10.3 Ounce Tube)	1
N/S	34-01295-18	Rivet, Pop, 3/16, Aluminum	4
N/S	22-01451-00	Butt Splice, Insulated, Red (16-22 AWG)	2
N/S	AC202-207	Tubing, Heat Shrink, 3/4 Inch I.D. W/Adhesive (Range: #1-8 AWG)	3
N/S	22-01292-03	Butt Splice, Non-Insulated (#8 AWG)	1
2.7.7 CONDENSER, 68KR3-101 SERIES - PACKAGE KIT - 77-62173-06			
Item	Part Number	Description	Qty
N/S	64-01213-00	Tape, Gummed, Reinforced, 3.00 Inches Wide x The Foot	4
N/S	02-62001-01	Sealant, Adhesive Caulk, White (10.3 Ounce Tube)	1
N/S	22-01451-00	Butt Splice, Insulated, Red (16-22 AWG)	2
N/S	AC202-207	Tubing, Heat Shrink, 3/4 Inch I.D. W/Adhesive (Range: #1-8 AWG)	3
N/S	22-01292-03	Butt Splice, Non-Insulated (#8 AWG)	1
2.7.8 CONDENSER, 68KR3-101 SERIES - PACKAGE KIT - 77-62173-07			
Item	Part Number	Description	Qty
N/S	64-01213-00	Tape, Gummed, Reinforced, 3.00 Inches Wide x The Foot	4
N/S	02-62001-01	Sealant, Adhesive Caulk, White (10.3 Ounce Tube)	1
N/S	22-01451-00	Butt Splice, Insulated, Red (16-22 AWG)	2
N/S	AC202-207	Tubing, Heat Shrink, 3/4 Inch I.D. W/Adhesive (Range: #1-8 AWG)	3
N/S	22-01292-03	Butt Splice, Non-Insulated (#8 AWG)	1

SECTION 2.8 CONDENSER, 68KR2-101 SERIES

2.8.1 CONDENSER, 68KR2-101 SERIES - FRAME KIT

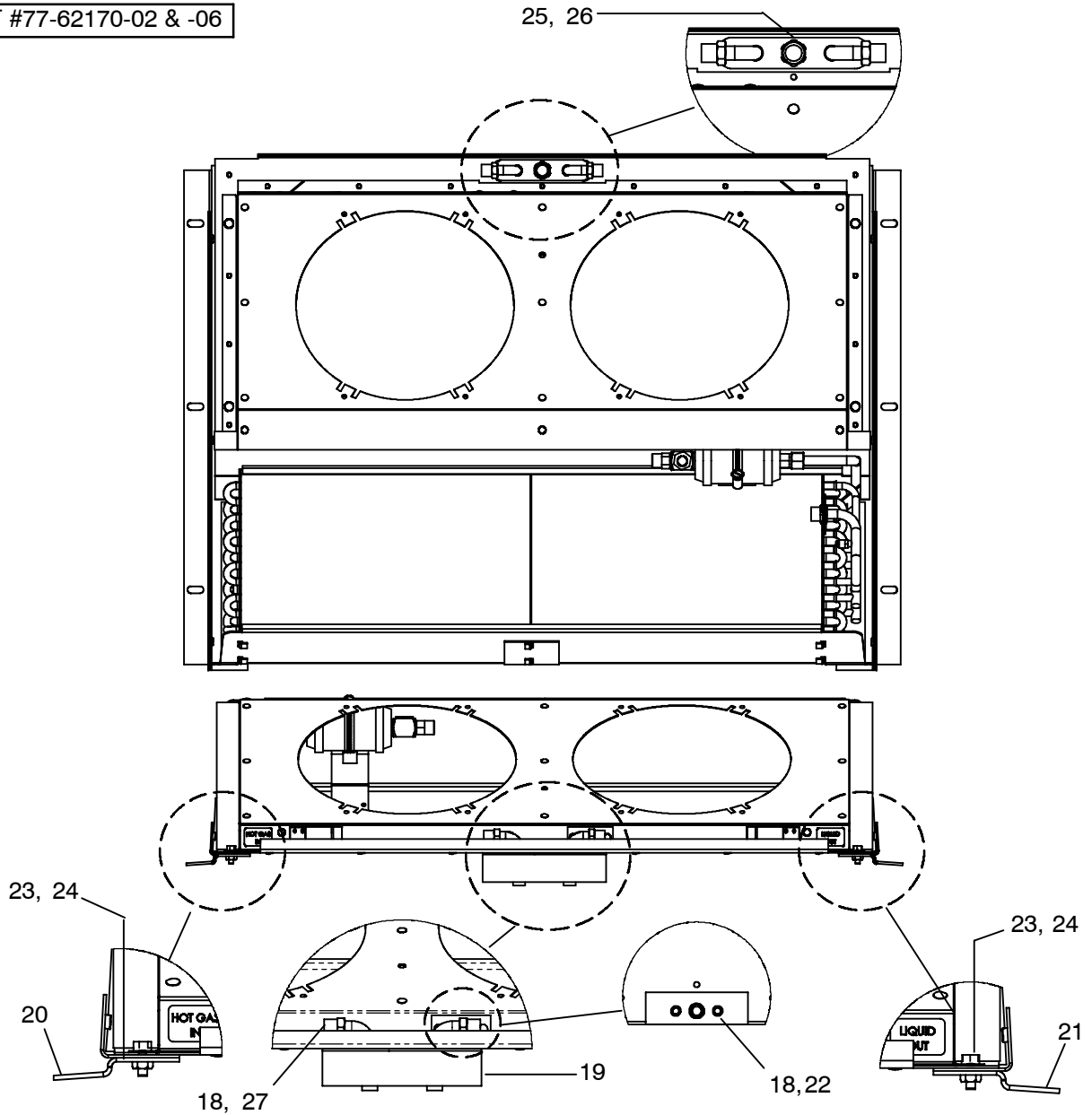
KIT #77-62170-02 & 06



Item	Part Number	Description	Qty
1	67-62004-00	Bracket Assembly, Interface Control, Painted, KR2	1
2	68-62004-01	Bracket Assembly, Interface Control, Painted, KR2	1
3	08-62057-00	Coil Assembly, Condenser, KR2	1
4	68-63689-00	Pan, Painted, KR2	1
5	68-63509-00	Bracket, Painted, KR2/3	1
6	68-63509-01	Bracket, Painted, KR2/3	1
7	67-62006-00	Bracket Assembly, Interface Control, Painted, KR2	1
8	67-62005-00	Panel Assembly, Interface Control, Painted, KR2	1
9	68-63486-00	Bracket, Mounting, Filter Drier, Painted, KR2	1
10	14-00288-00	Filter Drier, W/Sight Glass, 1/2 Inch M.O.R. (16 Cubic Inch)	1
11	AC701-269	Clamp, Filter Drier, Worm Type, Range: 2.06 to 3.00 Inch,	1
12	62-62042-15	Label, "Liquid Out"	1
13	62-62042-14	Label, "Hot Gas In"	1
14	AC801-202	O-Ring, 1/2 Inch, HNBR	1
15	68-63605-00	Bracket, Mounting	2
16	AC801-412F25	Gasket, Trimlock, Black (25 Ft. Roll)	1
17	42-00221-22	Gasket, Foam, 1.00 Thick x .38 Wide x 8.03 Long, Adhesive Backed	2
18	34-00928-14	Rivet, Blind, .187 Diameter, Grip Range: .251-.375	A/R

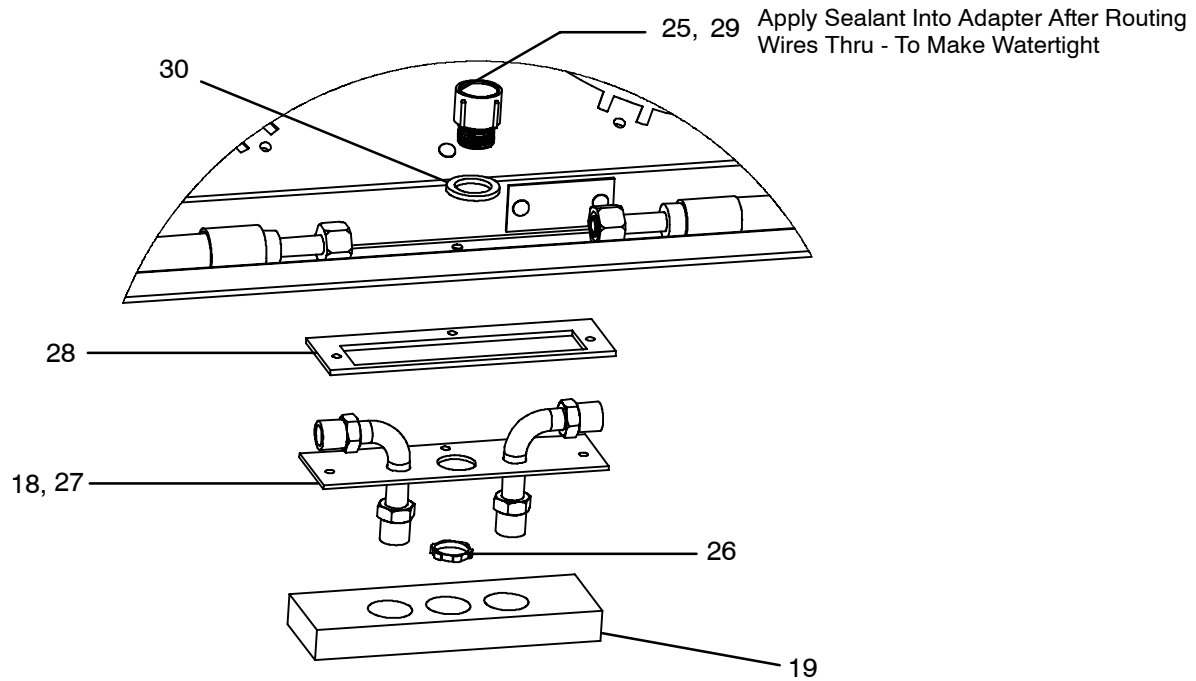
2.8.2 CONDENSER, 68KR2-101 SERIES - FRAME KIT WITH FEED-THRU PLATE

KIT #77-62170-02 & -06



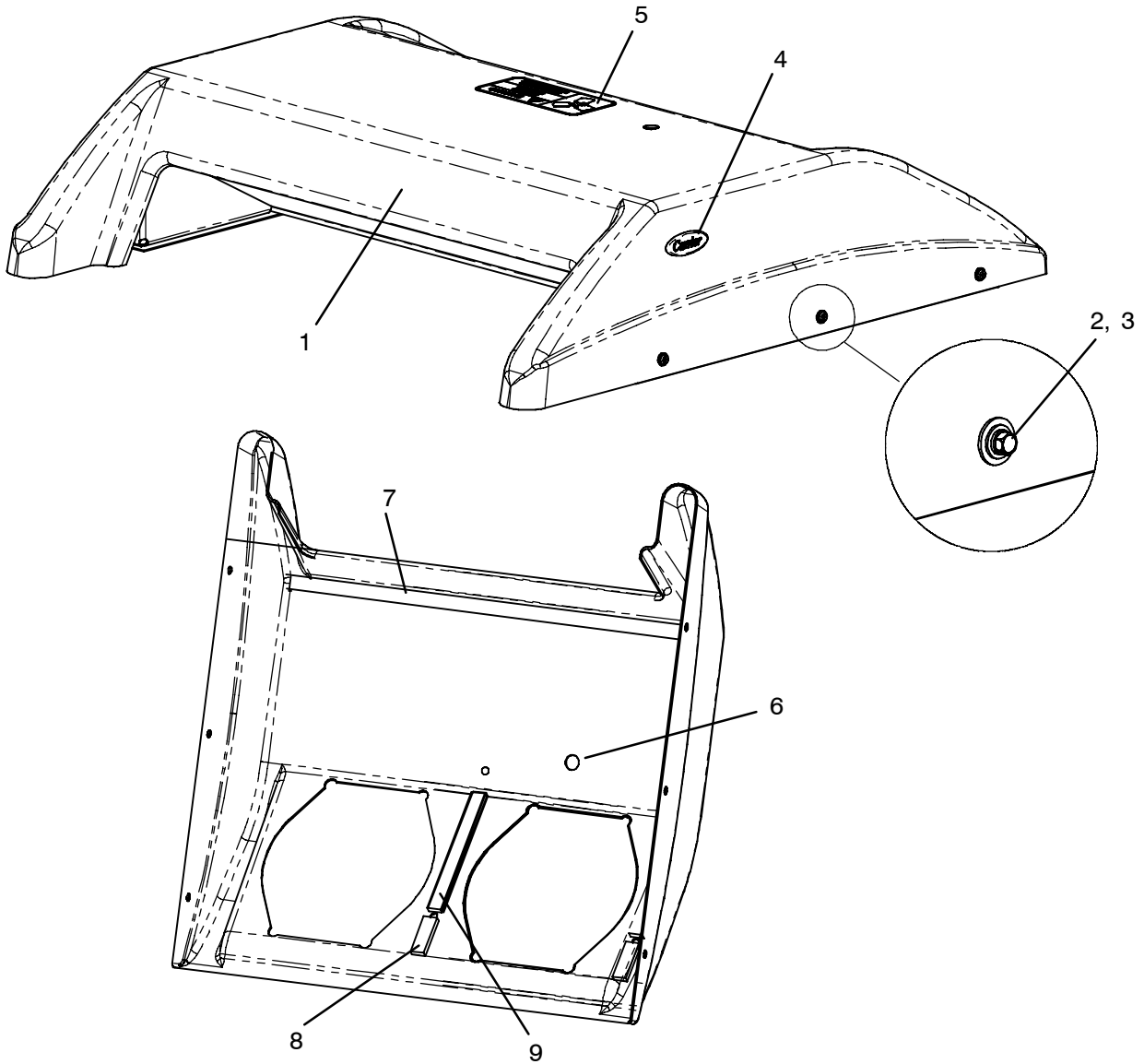
Item	Part Number	Description	Qty
19	42-62127-00	Insulation, Foam, Feed-Thru Plate Assembly	1
	42-62127-01	Insulation, Foam, Feed-Thru Plate Assembly (-06 Kit Only)	1
20	67-62007-04	Bracket, Unit Mounting	1
	67-62008-00	Bracket, Unit Mounting (-06 Kit Only)	1
21	67-62007-05	Bracket, Unit Mounting	1
	67-62008-01	Bracket, Unit Mounting (-06 Kit Only)	1
22	68-63656-00	Plate, Block-Off, Panel Assembly	1
23	34-00300-06	Screw, Cap, Hex Head, 1/4-20 x 0.75 Inches Long, Zinc	6
24	34-00368-11	Washer, Splitlock, 1/4 Inch, Zinc	6
25	58-62172-00	Adapter, Terminal, Male, 1/2 Gray	1
26	22-00118-02	Nut, Lock, 1/2 Inch Conduit	1
27	81-62145-00	Plate Assembly, Connection, Feed-Thru	1

2.8.2 CONDENSER, 68KR2-101 SERIES - FRAME KIT WITH FEED-THRU PLATE - Continued:



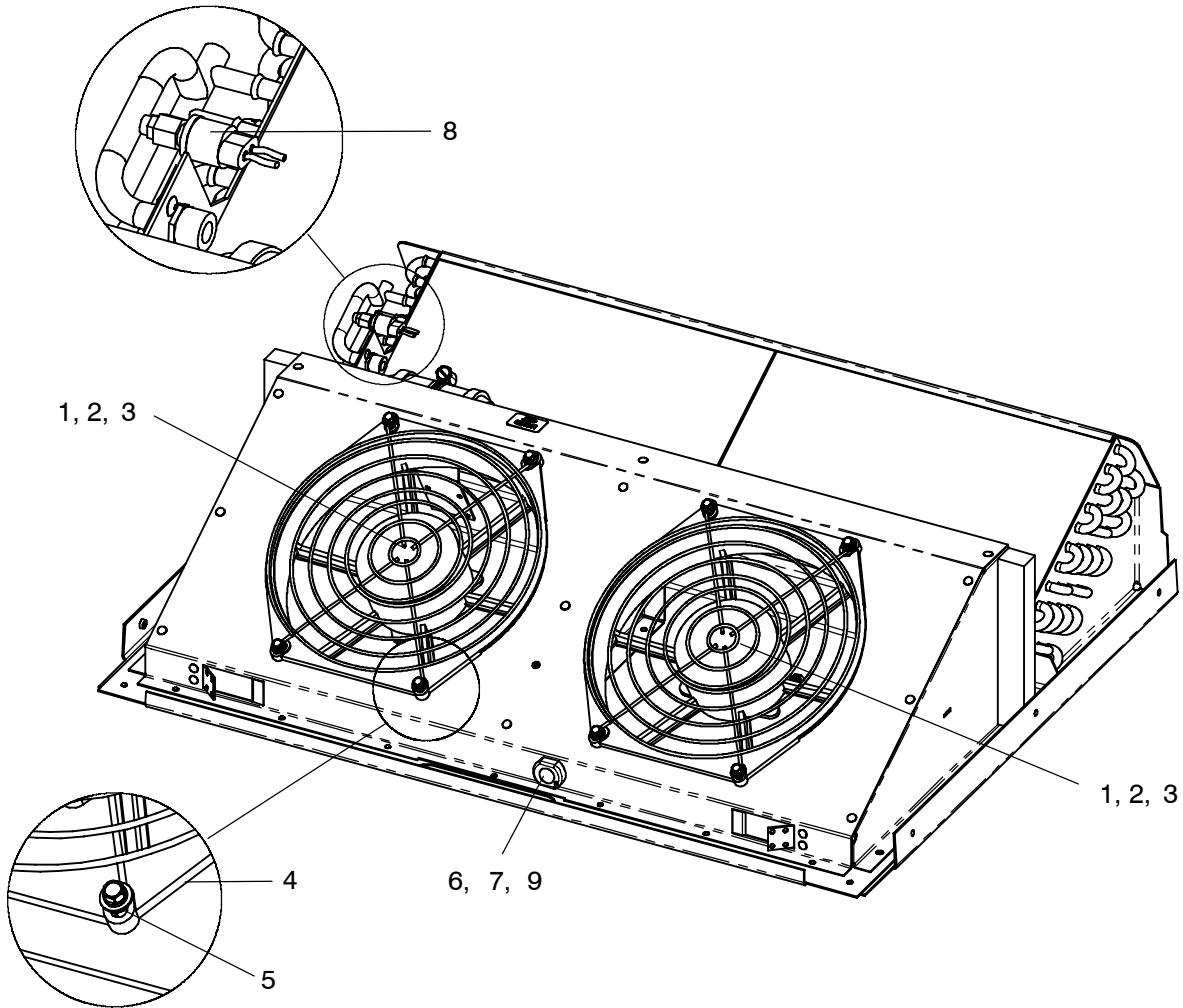
Item	Part Number	Description	Qty
28	42-62141-00	Gasket, Neoprene, Feed-thru Assembly	1
29	02-62001-01	Sealant, Adhesive Caulk, White (10.3 Ounce Tube)	1
30	34-01268-01	Washer, Sealing, 1/2 Inch, NPT	1
N/S	58-62025-12	Hose Assembly, Ref., #8, 1/2 F.O.R. Straight x 1/2 F.O.R. Straight	1
N/S	58-62025-13	Hose Assembly, Ref., #10, 1/2 F.O.R. 90 Degree x 1/2 F.O.R. Straight	1

2.8.3 CONDENSER, 68KR2-101 SERIES - COVER KIT - 77-62171-00, -02 & -05



Item	Part Number	Description	Qty
1	58-62163-00	Cover, KR2, Flat (77-62171-00)	1
	58-62163-01	Cover, KR2, Radius (77-62171-02)	1
	58-62127-00	Cover, KR2, Standard (Flat) Radius (77-62171-05)	1
2	34-62011-00	Screw, Hex Head, Sems, W/Lock Washer, 1/4-20 X 1.00 Inch Long, SST	7
3	34-00829-11	Washer, Plain, 1/4 Inch, SST	7
4	AC022-289	Decal, Carrier	2
5	62-62045-00	Label, Warning, Fan Blades & Disconnect Power	1
6	AC801-342	Plug, Clear, 1.00 Inch Diameter Hole	1
7	42-00221-19	Gasket, Foam, 1.00 Thick x .38 Wide x 34.25 Long, Adhesive Backed	1
8	42-00221-21	Gasket, Foam, 1.00 Thick x .38 Wide x 2.80 Long, Adhesive Backed	2
9	42-00221-20	Gasket, Foam, 1.00 Thick x .38 Wide x 9.32 Long, Adhesive Backed	2

2.8.4 CONDENSER, 68KR2-101 SERIES - ELECTRICAL KIT - 77-62172-00, -02, -04 & -06



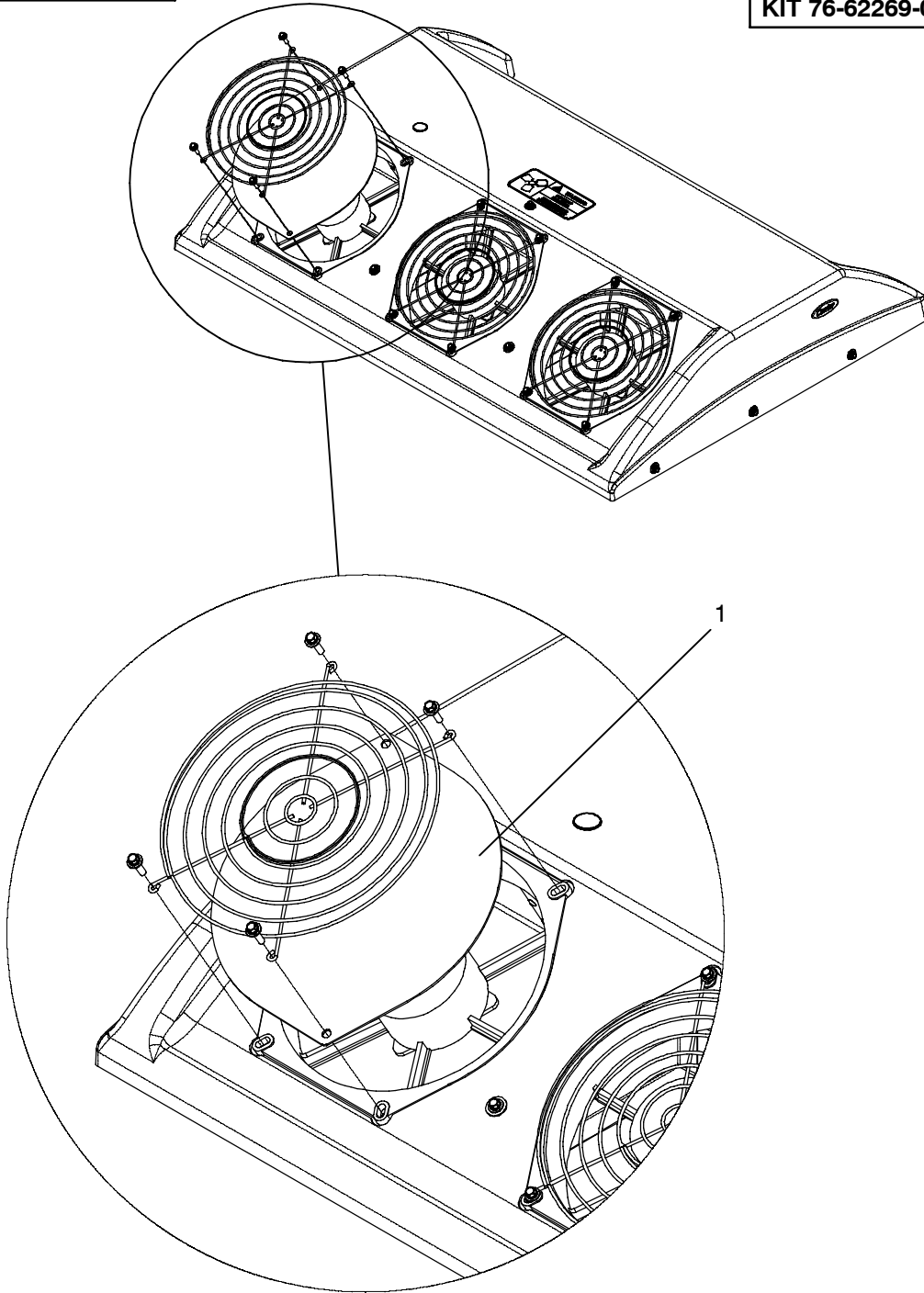
Item	Part Number	Description	Qty
1	54-00618-01	Fan & Motor Assembly, Vector, 12V, With Fuse (No Replacement Motor)	2
	AC401-110	Fan & Motor Assembly, 12 VDC, Includes:	2
2	54-50080-00Motor, Fan, 12 VDC	1
2A	22-02336-25Fuse, 20 Amp	1
3	44-50024-00Clip, Fan Blade	1
1	54-00545-00	Fan & Motor Assembly, 24 VDC	2
4	AC030-234	Guard, Fan, Condenser	2
5	34-62011-00	Bolt, Hex Head, Sems, W/Lock Washer, 1/4-20 X 1 Inch Long, SST	8
6	22-62235-00	Harness Assembly (KR-2)	1
7	66U1-3882	Wire Tie, Self-Locking, 7 Inch, Black	6
8	AC201-414	Switch, Pressure, 1/4 Inch Female Flare, (400-300 PSIG)	1
9	58-62019-00	Bushing, Harness, Strain Relief	1

2.8.5 CONDENSER, 68KR2-101 SERIES - PACKAGE KIT - 77-62173-00, -02, -08, -011 & -13			
Item	Part Number	Description	Qty
N/S	58-62025-10	Hose Assembly, Ref., #8, 1/2 F.O.R. Straight x 1/2 F.O.R. 90 Degree, KR2	1
N/S	58-62025-11	Hose Assembly, Ref., #10, 1/2 F.O.R. 90 Degree x 1/2 F.O.R. 90 Degree, KR2	1
N/S	81-62138-00	Plate Assembly, Connections, Feed-Thru, Radius Roof (See Sec. 2.10)	1
N/S	81-62138-01	Plate Assembly, Connections, Feed-Thru, Flat Roof (See Sec. 2.10)	1
N/S	81-62156-00	Plate Assembly, Connections, Feed-Thru, Flat Roof (-11 Only) (See Sec. 2.10)	1
N/S	67-62007-02	Bracket, Unit Mounting	1
N/S	67-62007-03	Bracket, Unit Mounting	1
N/S	34-00300-08	Screw, Cap, Hex Head, 1/4-20 x 1.00 Inch Long, Zinc	6
N/S	34-00588-11	Washer, PLain, 1/4, SAE, .065 Thick	6
N/S	34-00368-11	Washer, Split Lock, 1/4 Inch, Zinc	6
N/S	64-01213-00	Tape, Gummed, Reinforced, 3.00 Inches Wide x The Foot	4
N/S	02-62001-01	Sealant, Adhesive Caulk, White (10.3 Ounce Tube)	1
N/S	34-01295-18	Rivet, Pop, 3/16, Aluminum	4
N/S	22-01451-00	Butt Splice, Insulated, Red (16-22 AWG)	2
N/S	AC202-207	Tubing, Heat Shrink, 3/4 Inch I.D. W/Adhesive (Range: #1-8 AWG)	3
N/S	22-01292-03	Butt Splice, Non-Insulated (#8 AWG)	1
N/S	40-62017-00	Fitting, "Y", #8 Hose x #8 Hose x #8 Hose, Quick-Click (-13 Only)	1
N/S	34-60019-03	Clamp, Quick-Click, #8 Hose (-13 Only)	3
2.8.6 CONDENSER, 68KR2-101 SERIES - PACKAGE KIT - 77-62173-04			
Item	Part Number	Description	Qty
N/S	64-01213-00	Tape, Gummed, Reinforced, 3.00 Inches Wide x The Foot	4
N/S	02-62001-01	Sealant, Adhesive Caulk, White (10.3 Ounce Tube)	1
N/S	22-01451-00	Butt Splice, Insulated, Red (16-22 AWG)	2
N/S	AC202-207	Tubing, Heat Shrink, 3/4 Inch I.D. W/Adhesive (Range: #1-8 AWG)	3
N/S	22-01292-03	Butt Splice, Non-Insulated (#8 AWG)	1

2.8.7 WINTERGUARD KITS - KR2/3 - (76-62269-00 & -01)

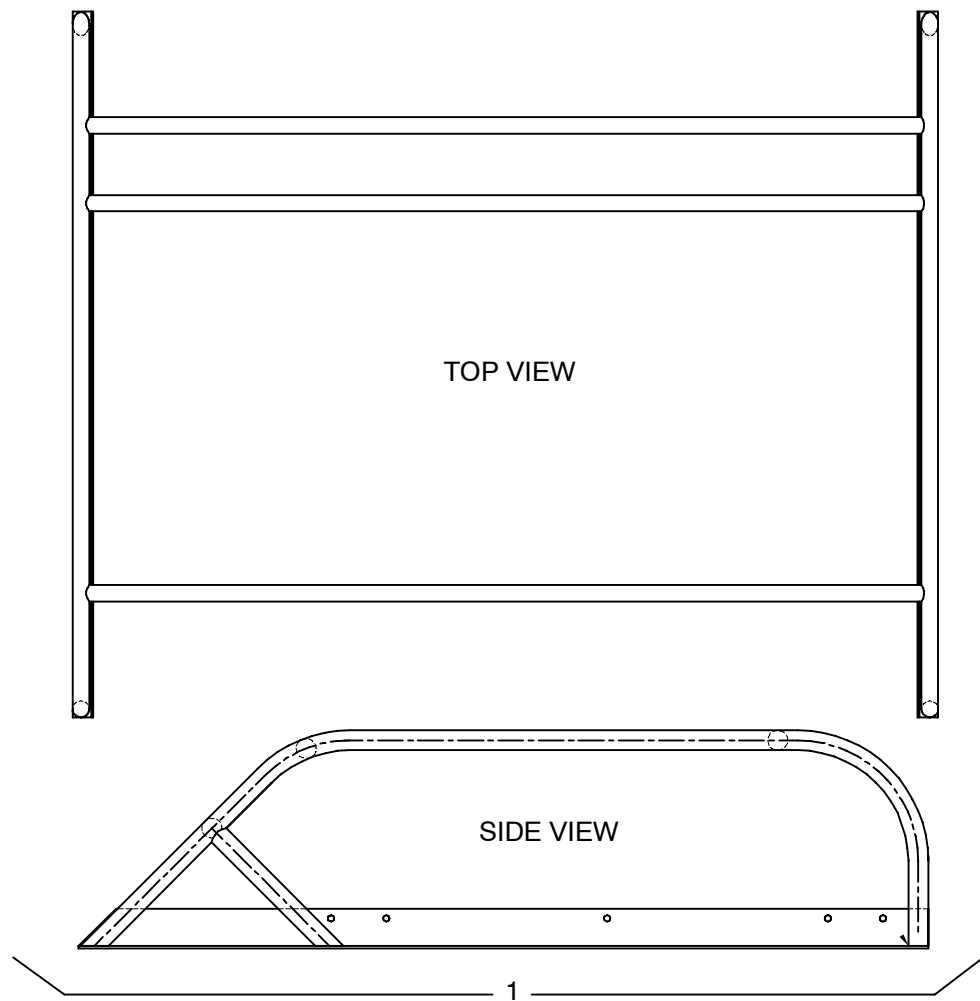
INSTALLATION DRAWING

KIT 76-62269-00 KR2
KIT 76-62269-01 KR3



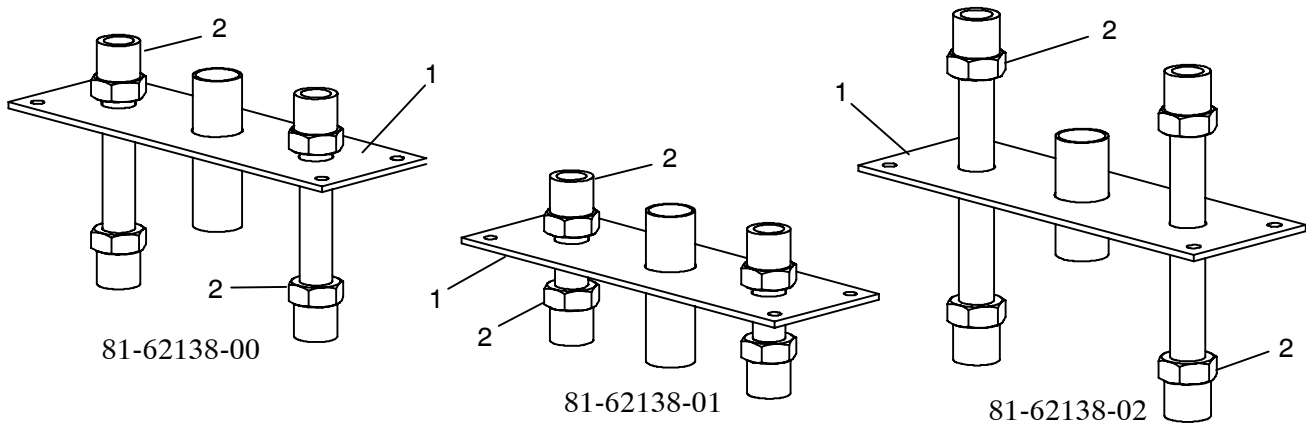
Item	Part Number	Description	Qty
1	AC033-145	Winterguard Cover, KR2/KR3	2 / 3

2.9 BRUSH GUARD, CONDENSER, KR2/3 AND CM-7/11



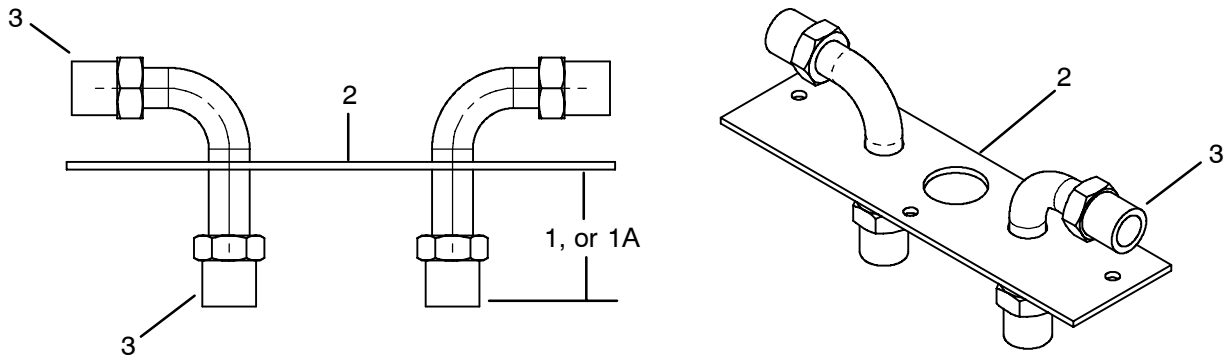
Item	Part Number	Description	Qty
1	86-62150-00	Brush Guard, KR3 & CM-7 (49.68 Inch Wide)	1
	86-62150-01	Brush Guard, KR2 & CM-11 (37.43 Inch Wide)	1

2.10 FEED-THROUGH PLATE ASSEMBLIES - ROOFTOPS - (81-62138)



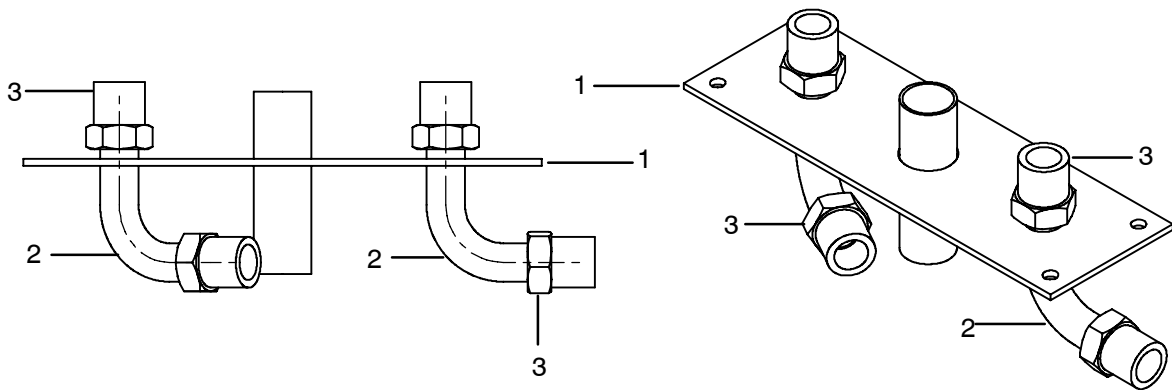
Item	Part Number	Description	Qty
1	68-63602-00	Plate, Brass	1
2	40-62032-02	Nut, 3/4-16 x1/2 OD	4

2.10 FEED-THROUGH PLATE ASSEMBLIES - ROOFTOPS - (81-62145)



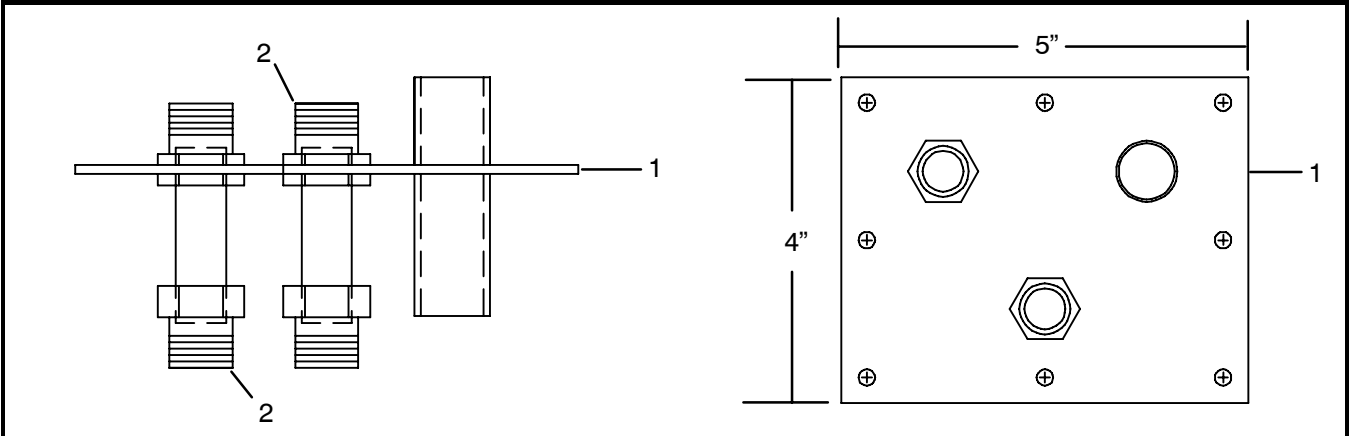
Item	Part Number	Description	Qty
1	56-62307-01	Tube, KR2/3 Feed Thru, 1.69 Inch (81-62145-00)	2
1A	56-62307-02	Tube, KR2/3 Feed Thru, 3.75 Inch (81-62145-01)	2
2	68-63655-00	Plate, Brass, 6.75 x 1.88 Inches	1
3	40-62032-02	Nut, 3/4-16 x1/2 OD	4

2.10 FEED-THROUGH PLATE ASSEMBLIES - ROOFTOPS - (81-62156)



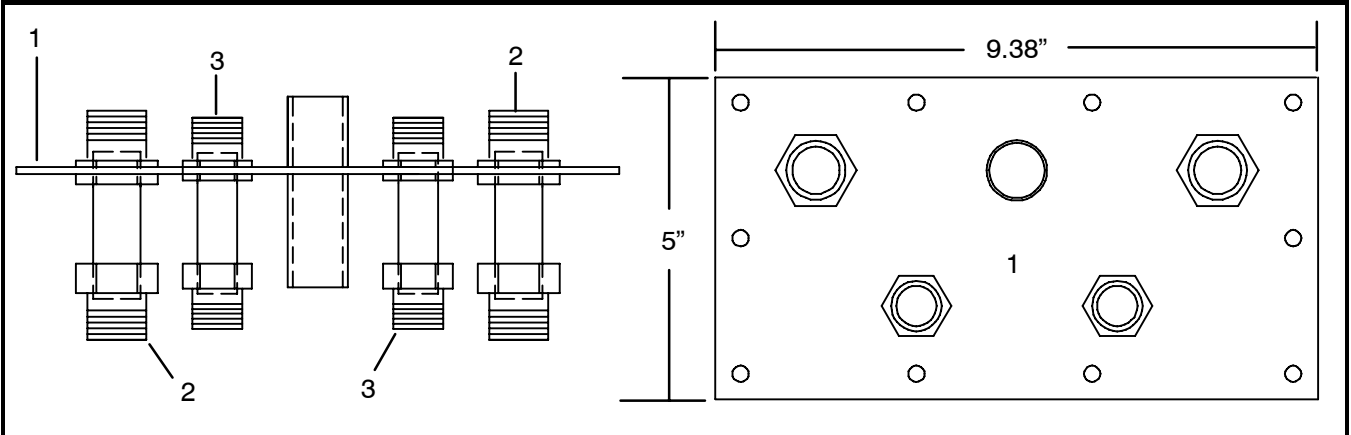
Item	Part Number	Description	Qty
1	68-63602-00	Plate, Feed Thru (6.75 x 2.25 Inch)	1
2	56-62307-03	Tube, KR2/3 Feed Thru	2
3	40-62032-02	Nut, 3/4-16 x1/2 OD	4

2.10 FEED-THROUGH PLATE ASSEMBLIES - ROOFTOPS - (AC031-029)



Item	Part Number	Description	Qty
1	AC031-028	Plate, Brass, 5 x 4 Inches	1
2	40-62032-02	Fitting, Brass, 1/2 Inch M.I.O-Ring	4

2.10 FEED-THROUGH PLATE ASSEMBLIES - ROOFTOPS - (AC031-082)



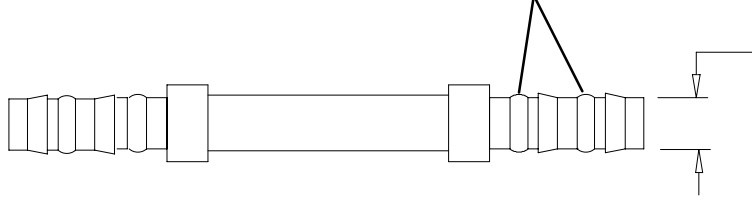
Item	Part Number	Description	Qty
1	AC031-083	Plate, Brass, 9.38 x 5 Inches	1
2	40-62032-01	Nut, 7/8-14 UNF x 5/8 OD	4
3	40-62032-02	Nut, 3/4-16 UNF x 1/2 OD	4

SECTION 3 - FITTINGS & HOSE

SECTION 3.1 FITTINGS

3.1.1 HOSE & FITTING - SIZE DETERMINATION

The Seal Rings Are Not A Replaceable Item
On Quick-Click Type Fittings

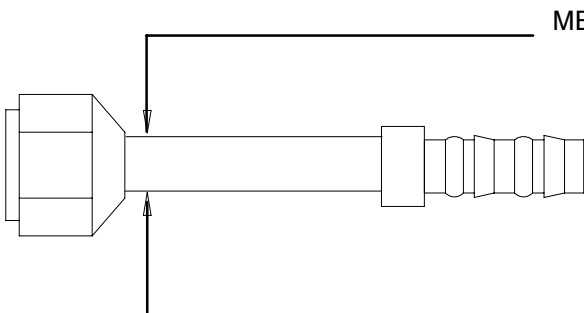


TO DETERMINE HOSE SIZE

MEASURE OUTER DIAMETER AT END OF FITTING, (NOT BARBS) TO DETERMINE HOSE SIZE (SEE CHART)

TUBE O.D.	HOSE SIZE
5/16" (7.93MM)	6
13/32" (10.5MM)	8
1/2" (12.7MM)	10
5/8" (16.1MM)	12
7/8 " (22.22 MM)	16

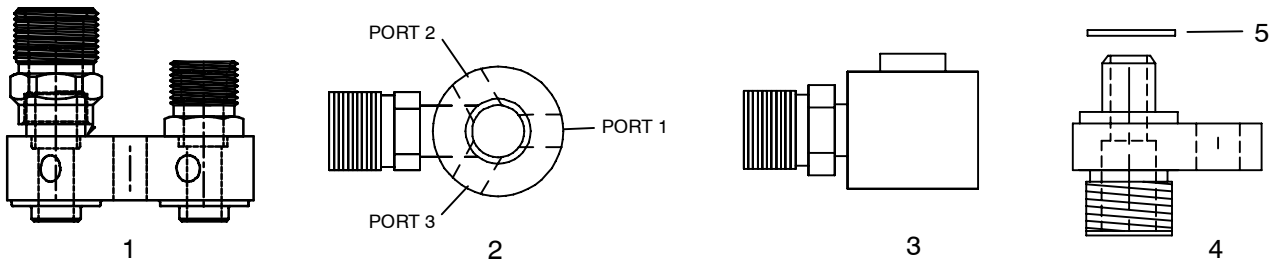
TO DETERMINE FITTING SIZE



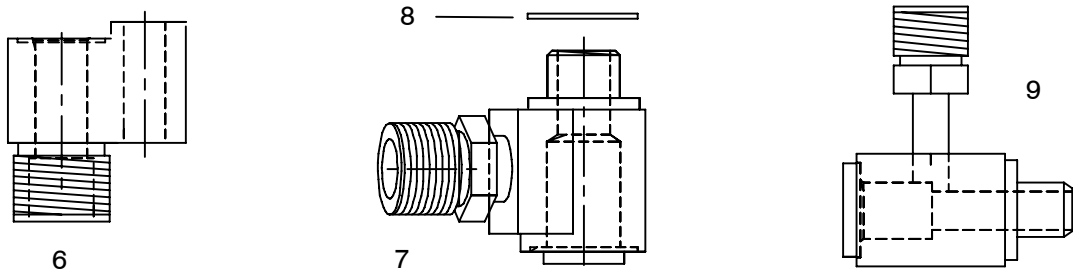
MEASURE OUTER DIAMETER JUST BEHIND NUT TO DETERMINE FITTING SIZE (SEE CHART)

TUBE O.D.	FITTING SIZE	THREAD SIZE
3/8"	6	5/8-18
1/2"	8	3/4-16
5/8"	10	7/8-14
3/4"	12	1 -1/16-14

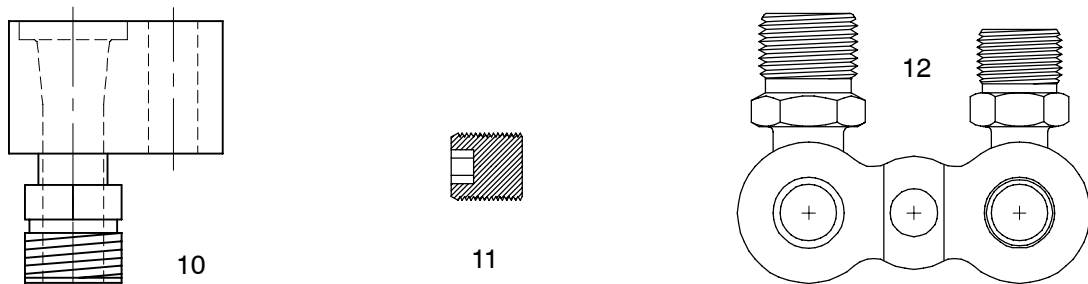
3.1.2 FITTING, A-6 COMPRESSOR, (GM STYLE)



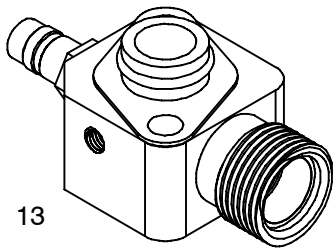
Item	Part Number	Description
1	40-62069-01	Fitting, Block, A-6 Style, #10 & #12 M.I.O-Ring (Steel)
	40-62057-02	Fitting, Block, GM Style, #10 M.I.O X #10 M.I.O X #12 M.I.O-Ring, (Steel)
	40-62057-03	Fitting, Block, GM Style, #10 M.I.O X #10 M.I.O. X #12 M.I.O.(Tapped Ports/Steel)
2	40-62033-03	Fitting, Block, GM Style, #8 M.I.O. With Ports #1 & #2, (Steel)
	40-62033-04	Fitting, Block, GM Style, #10 M.I.O. With Ports #1 & #3, (Steel)
	40-62033-05	Fitting, Block, GM Style, #12 M.I.O. With Ports #1 & #3, (Steel)
3	40-62008-03	Fitting, Block, GM Style, #8 M.I.O., (Steel)
	40-62008-04	Fitting, Block, GM Style, #10 M.I.O., (Steel)
	40-62008-05	Fitting, Block, GM Style, #12 M.I.O., (Steel)



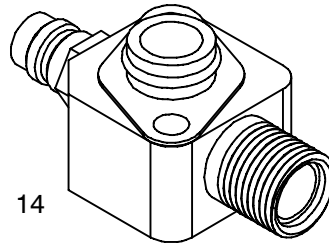
4	40-62119-00	Fitting, Block, GM Style, Liquid, #6 M.I.O.
5	58-62121-00	Seal, 2003 GM Fitting Block, .44 I.D.
6	40-62120-00	Fitting, Block, GM Style, Liquid, #6 M.I.O.
7	40-62078-00	Fitting, Block, GM Style, Liquid, #6 M.I.O.
8	58-62121-00	Seal, 2003 GM Fitting Block, .44 I.D.
	58-62121-01	Seal, 2003 GM Fitting Block, .68 I.D.
9	40-62079-00	Fitting, Block, GM Style, Liquid, #6 M.I.O.
10	40-62082-00	Fitting, Block Style, 04 Ford Tie-In, #8 M.I.O.
11	40-62083-00	Plug, Pipe, 1/8 Inch MPT With C' Sunk Hex Head, Brass
12	40-62114-00	Fitting, Block, GM Style, #8 M.I.O. (Alum)



3.1.3 FITTINGS - TM-31



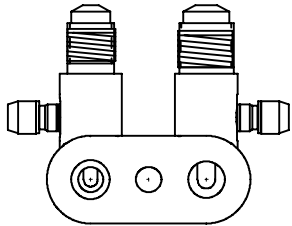
13



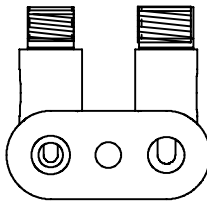
14

13	40-62068-00	Fitting, Manifold, Compressor, Suction, (TM-31)
14	40-62068-01	Fitting, Manifold, Compressor, Discharge, (TM-31)

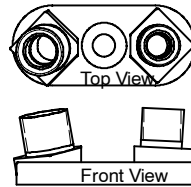
3.1.4 FITTINGS - MISCELLANEOUS



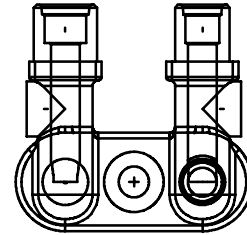
15



16

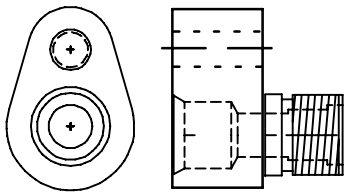


17

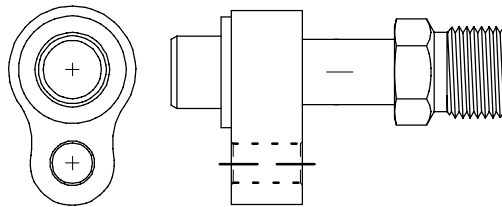


18

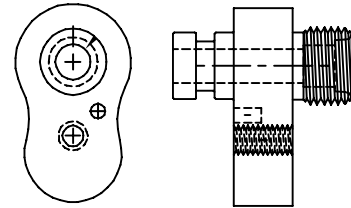
15	106-1922	Fitting, Block, Vertical, 3/4 X 7/8 Flare, With Ports
16	106-1922-1	Fitting, Block, Vertical, 3/4 X 7/8 "O" Ring
17	40-50031-00	Fitting, Block, Horizontal, 3/4 X 7/8 "O" Ring
18	40-62113-00	Fitting, Manifold, 3/4 X 7/8 Female "O" Ring (VOR UP)
19	40-62113-01	Fitting, Manifold, 3/4 X 7/8 Female "O" Ring (VOR DOWN)



20

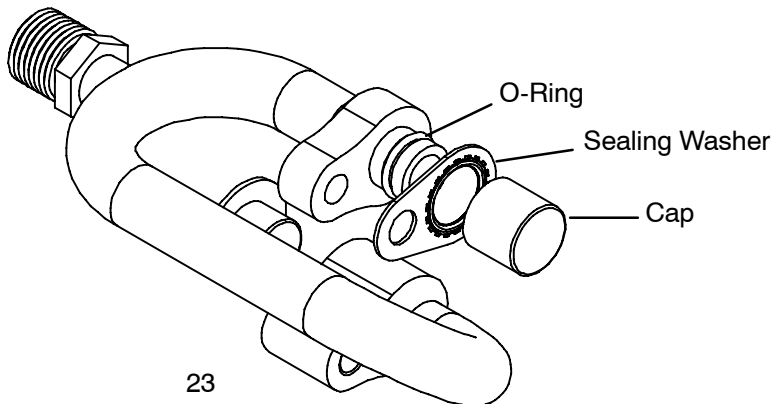


21

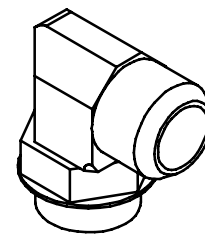


22

20	40-62090-00	Fitting, Block, 07 Ford Discharge x #8 MIO
21	40-62092-00	Fitting, Block, Peanut Block To #10 MIO
22	40-62100-00	Fitting, Block, Peanut, M6 x #6 MIO



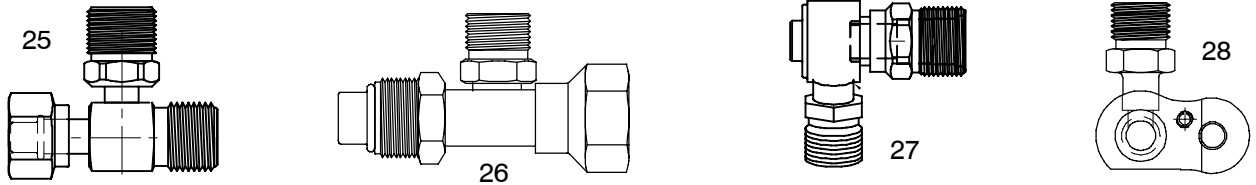
23



24

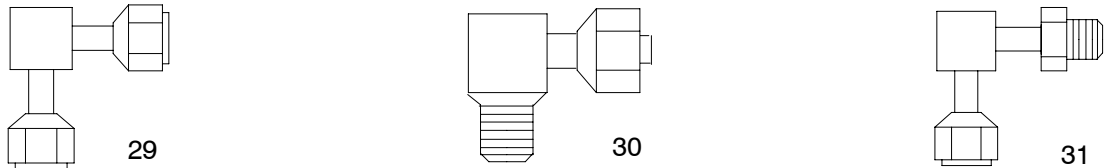
23	40-62091-00	Fitting, Block, 07 Ford Suction x #10 MIO
24	40-62118-00	Fitting, 90Deg. 37 Deg. JIC Male, Str. Thd. Male

3.1.5 FITTINGS, TEE



Item	Part Number	Description
25	40-62019-00	Fitting, Tee, #6 M.I.O-Ring X #6 F.O-Ring X #8 M.I.O-Ring
	40-62019-01	Fitting, Tee, #8 F.O-Ring X #8 M.I.O-Ring X #8 M.I.O-Ring
	40-62019-02	Fitting, Tee, #12 F.O-Ring X #12 M.I.O-Ring X #12 M.I.O-Ring
	40-62019-03	Fitting, Tee, #12 F.O-Ring X #12 M.I.O-Ring X #10 M.I.O-Ring
	40-62019-04	Fitting, Tee, #10 F.O-Ring X #10 M.I.O-Ring X #10 M.I.O-Ring
26	40-62043-00	Fitting, Tee, #12 M.O-Ring (Swivel Nut) X #12 F.I.O-Ring X #10 F.I.O-Ring
27	40-62058-00	Block, Fitting, #10 M.I.O-Ring X #10 M.I.O-Ring X #12 M.I.O-Ring
28	40-62070-00	Block, Fitting, (Liquid) #6 M.I.O-Ring, (For 2003 Sprinter)
	40-62071-00	Block, Fitting, (Suction) #10 M.I.O-Ring, (For 2003 Sprinter)

3.1.6 FITTING, SWIVEL UNIONS



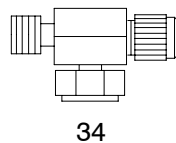
Item	Part Number	Description
29	AC301-441	Fitting, 90°, 1/2 Inch Female Flare X 1/2 inch Female Flare
30	AC302-450	Fitting, 90°, 5/8 Inch Male Flare X 1/2 inch Female O-Ring
31	N/A	Fitting, 90°, 1/2 Inch Female Flare X 5/8 inch Male Flare (AC302-451)
	AC301-452	Fitting, 90°, 1/2 Inch Female Flare X 1/2 inch Male Flare
	AC301-453	Fitting, 90°, 5/8 Inch Female Flare X 5/8 inch Male Flare

3.1.7 FITTING, FLARE TO O-RING



Item	Part Number	Description
32	AC301-459	Fitting, Straight, 3/8 Inch Male O-Ring X 3/8 inch Male Flare
33	AC301-460	Fitting, 90°, 5/8 Inch Male O-Ring X 5/8 inch Female Flare

3.1.8 FITTING, TUBE-O, R134a



Item	Part Number	Description
34	AC302-453	Fitting, Tube-O X 1/2 Inch O-Ring with Access (R134a)
	AC302-454	Fitting, Tube-O X 5/8 Inch O-Ring with Access (R134a)

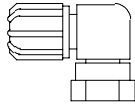
3.1.9 FITTING, ADAPTER AND CAP



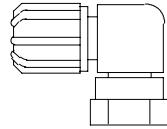
35



36



37



38



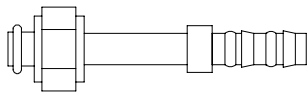
39



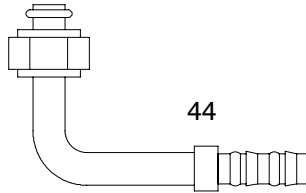
40

Item	Part Number	Description
35	40-60042-01	Fitting, Brass, Straight, (High-Side Tap R-12 to R-134a)
36	40-00529-00	Fitting, Brass, Straight, (Low-Side Tap R-12 to R-134a)
37	AC302-441	Fitting, Brass, 90°, (High-Side Tap R-12 to R-134a) (40-62116-00)
38	AC302-440	Fitting, Brass, 90°, (Low-Side Tap R-12 to R-134a) (40-62117-00)
N/S	AC302-458	Retrofit Kit-Service Ports
39	40-00520-02	Fitting, Cap, Low-Side (R134a - M8 X1) Red or Black
40	40-00520-03	Fitting, Cap, High-Side (R134a - M10 X1) Blue or Black
41	58-60230-00	Fitting, Cap, High-Side, M8 X1 (R134a - Quick-Click)
42	58-60231-00	Fitting, Cap, Low-Side, M8 X1 (R134a - Quick-Click)

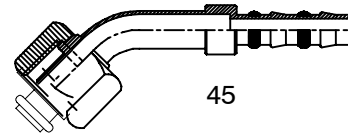
3.1.10 FITTING, QUICK-CLICK, FEMALE, O-RING



43



44

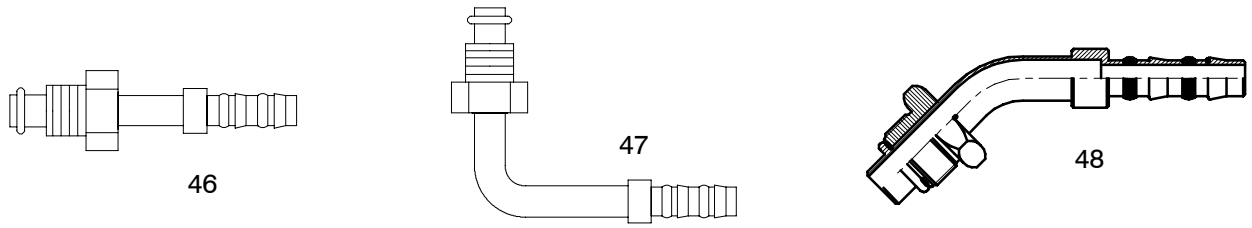


45

Item	Part Number	Description
43	40-60060-02	Fitting, Straight, 3/8 Inch Female O-Ring X #6 Hose
	40-60060-08	Fitting, Straight, 3/8 Inch Female O-Ring X #8 Hose
	40-60060-03	Fitting, Straight, 1/2 Inch Female O-Ring X #8 Hose
	40-60060-06	Fitting, Straight, 1/2 Inch Female O-Ring X #10 Hose
	40-60060-04	Fitting, Straight, 5/8 Inch Female O-Ring X #10 Hose
	40-60060-07	Fitting, Straight, 5/8 Inch Female O-Ring X #12 Hose
	40-60060-05	Fitting, Straight, 3/4 Inch Female O-Ring X #12 Hose
44	40-60061-02	Fitting, 90°, 3/8 Inch Female O-Ring X #6 Hose
	40-60061-08	Fitting, 90°, 3/8 Inch Female O-Ring X #8 Hose
	40-60061-03	Fitting, 90°, 1/2 Inch Female O-Ring X #8 Hose
	40-60061-06	Fitting, 90°, 1/2 Inch Female O-Ring X #10 Hose
	40-60061-04	Fitting, 90°, 5/8 Inch Female O-Ring X #10 Hose
	40-60061-07	Fitting, 90°, 5/8 Inch Female O-Ring X #12 Hose
	40-60061-05	Fitting, 90°, 3/4 Inch Female O-Ring X #12 Hose
45	40-60050-02	Fitting, 45°, 3/8 Inch Female O-Ring X #6 Hose
	40-60050-03	Fitting, 45°, 1/2 Inch Female O-Ring X #8 Hose
	40-60050-06	Fitting, 45°, 1/2 Inch Female O-Ring X #10 Hose
	40-60050-04	Fitting, 45°, 5/8 Inch Female O-Ring X #10 Hose
	40-60050-07	Fitting, 45°, 5/8 Inch Female O-Ring X #12 Hose
	40-60050-05	Fitting, 45°, 3/4 Inch Female O-Ring X #12 Hose

NOTE: QUICK-CLICK FITTING SEAL RINGS ARE NOT A REPLACEABLE ITEM

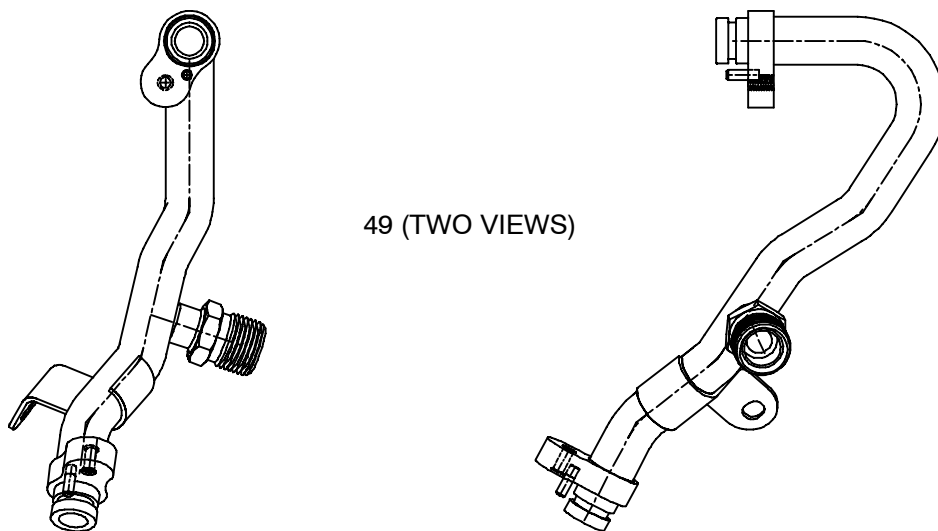
3.1.11 FITTING, QUICK-CLICK, MALE, O-RING



Item	Part Number	Description
46	40-60051-02	Fitting, Straight, 3/8 Inch Male O-Ring X #6 Hose
	40-60051-03	Fitting, Straight, 1/2 Inch Male O-Ring X #8 Hose
	40-60051-04	Fitting, Straight, 5/8 Inch Male O-Ring X #10 Hose
	40-60051-07	Fitting, Straight, 5/8 Inch Male O-Ring X #12 Hose
	40-60051-08	Fitting, Straight, 3/8 Inch Male O-Ring X #8 Hose
47	40-60083-02	Fitting, 90°, 3/8 Inch Male O-Ring X #6 Hose
	40-60083-03	Fitting, 90°, 1/2 Inch Male O-Ring X #8 Hose
	40-60083-04	Fitting, 90°, 5/8 Inch Male O-Ring X #10 Hose
	40-60083-07	Fitting, 90°, 5/8 Inch Male O-Ring X #12 Hose
	40-60083-08	Fitting, 90°, 3/8 Inch Male O-Ring X #8 Hose
48	40-60084-02	Fitting, 45°, 3/8 Inch Male O-Ring X #6 Hose
	40-60084-03	Fitting, 45°, 1/2 Inch Male O-Ring X #8 Hose
	40-60084-04	Fitting, 45°, 5/8 Inch Male O-Ring X #10 Hose
48	40-60084-05	Fitting, 45°, 5/8 Inch Male O-Ring X #12 Hose
	40-60084-06	Fitting, 45°, 3/8 Inch Male O-Ring X #8 Hose
	40-60084-07	Fitting, 45°, 3/4 Inch Male O-Ring X #12 Hose

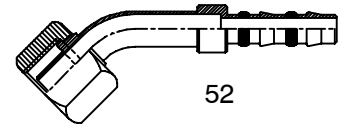
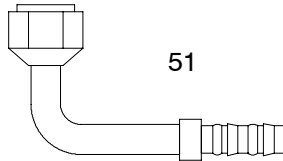
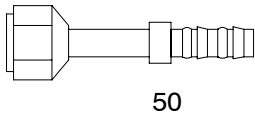
NOTE: QUICK-CLICK FITTING SEAL RINGS ARE NOT A REPLACEABLE ITEM

3.1.12 FITTING, SUCTION (SPRINTER)



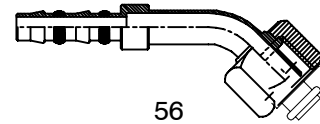
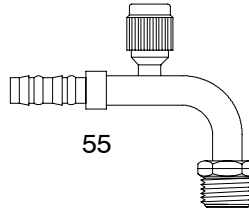
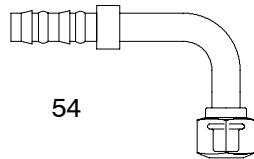
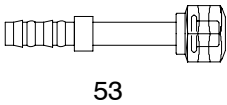
Item	Part Number	Description
49	40-62099-00	Fitting, Suction (Sprinter)

3.1.13 FITTING, QUICK-CLICK, FEMALE FLARE



50	40-60078-02	Fitting, Straight, 3/8 Inch Female Flare X #6 Hose
	40-60078-03	Fitting, Straight, 1/2 Inch Female Flare X #8 Hose
	40-60078-04	Fitting, Straight, 5/8 Inch Female Flare X #10 Hose
	40-60078-05	Fitting, Straight, 3/4 Inch Female Flare X #12 Hose
	40-60078-06	Fitting, Straight, 1/2 Inch Female Flare X #10 Hose
	40-60078-07	Fitting, Straight, 5/8 Inch Female Flare X #12 Hose
	51	40-60079-02
40-60079-03		Fitting, 90°, 1/2 Inch Female Flare X #8 Hose
40-60079-04		Fitting, 90°, 5/8 Inch Female Flare X #10 Hose
40-60079-05		Fitting, 90°, 3/4 Inch Female Flare X #12 Hose
40-60079-06		Fitting, 90°, 1/2 Inch Female Flare X #10 Hose
40-60079-07		Fitting, 90°, 5/8 Inch Female Flare X #12 Hose
52		40-60080-02
	40-60080-03	Fitting, 45°, 1/2 Inch Female Flare X #8 Hose
	40-60080-04	Fitting, 45°, 5/8 Inch Female Flare X #10 Hose
	40-60080-05	Fitting, 45°, 3/4 Inch Female Flare X #12 Hose
	40-60080-06	Fitting, 45°, 1/2 Inch Female Flare X #10 Hose
	40-60080-07	Fitting, 45°, 5/8 Inch Female Flare X #12 Hose

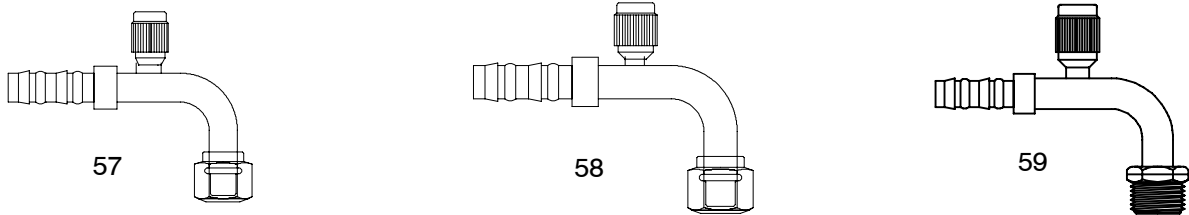
3.1.14 FITTING, QUICK-CLICK, METRIC



53	40-62021-01	Fitting, Straight, 20 mm Female O-Ring X #8 Hose
	40-62021-00	Fitting, Straight, 27 mm Female O-Ring X #12 Hose
54	40-62026-00	Fitting, 90°, 20 mm Female O-Ring X #8 Hose
55	40-62016-00	Fitting, 90°, 20 mm M. I. O-Ring X #10 Hose (R134a High Side Access)
56	40-62045-00	Fitting, 45°, 27 mm Female O-Ring X #12 Hose

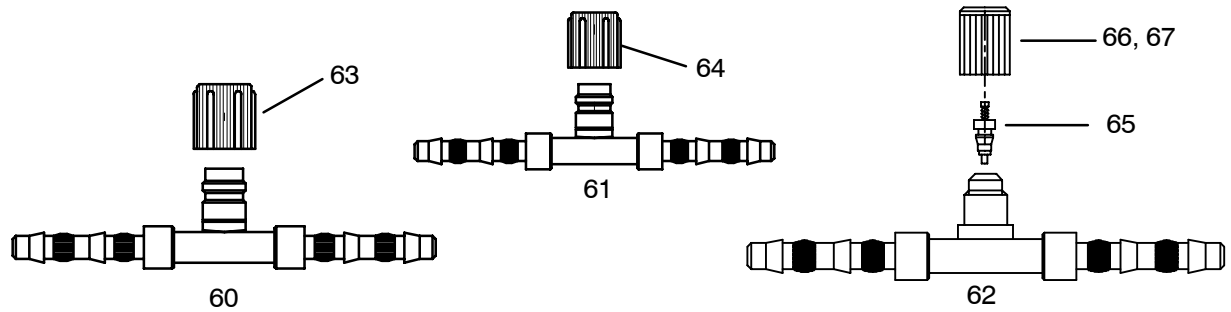
NOTE: QUICK-CLICK FITTING SEAL RINGS ARE NOT A REPLACEABLE ITEM

3.1.15 FITTING, QUICK-CLICK, WITH ACCESS PORTS



Item	Part Number	Description
57	40-62022-00	Fitting, 90°, 1/2 Inch Female O-Ring X #10 Hose, With High Side Access R134a
58	40-62023-00	Fitting, 90°, 5/8 Inch Female O-Ring X #12 Hose, With Low Side Access R134a
59	40-62016-00	Fitting, 90°, 20 MM Male Insert O-Ring X #10 Hose, With High Side Access R134a

3.1.16 FITTING, QUICK-CLICK, WITH ACCESS PORTS



Item	Part Number	Description
60	40-60059-02	Fitting, Straight, #6 X #6 Hose with R134a Access Valve, (High Side)
	40-60059-03	Fitting, Straight, #8 X #8 Hose with R134a Access Valve, (High Side)
	40-60059-04	Fitting, Straight, #10 X #10 Hose with R134a Access Valve, (High Side)
61	40-60058-04	Fitting, Straight, #10 X #10 Hose with R134a Access Valve, (Low Side)
	40-60058-05	Fitting, Straight, #12 X #12 Hose with R134a Access Valve, (Low Side)
62	40-60081-02	Fitting, Straight, #6 X #6 Hose, With 1/4 Flare Schrader Fitting
	40-60081-03	Fitting, Straight, #8 X #8 Hose, With 1/4 Flare Schrader Fitting
	40-60081-04	Fitting, Straight, #10 X #10 Hose, With 1/4 Flare Schrader Fitting
	40-60081-05	Fitting, Straight, #12 X #12 Hose, With 1/4 Flare Schrader Fitting
63	58-60230-00	Cap, Plastic, For Schrader Service Port, R-134a, (High Side)
64	58-60231-00	Cap, Plastic, For Schrader Service Port, R-134a, (Low Side)
65	14-00351-00	Core, Access (Nickel Plated)
66	58-60232-00	Cap, Plastic, For Schrader Service Port, Size 4 (1/4)
67	DD19CA061	Cap, Brass, For Schrader Service Port, Size 4 (1/4)

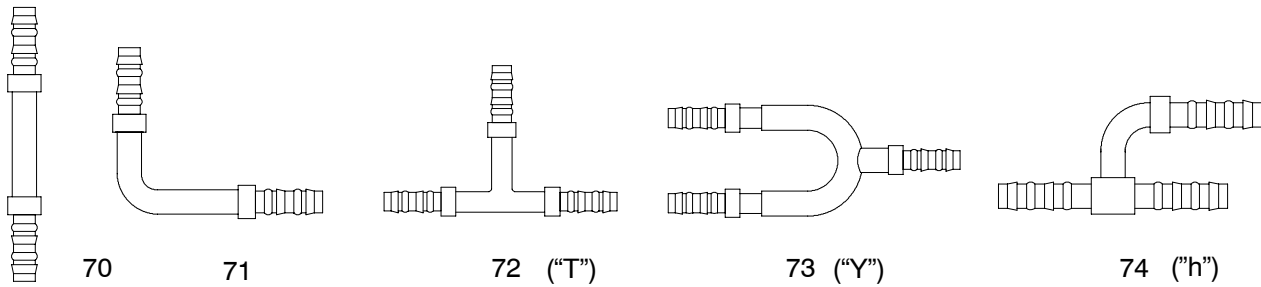
3.1.17 FITTING, QUICK-CLICK, MALE INSERT O-RING



68	40-62020-00	Fitting, 90°, 3/8 inch Male Insert O-Ring X #8 Hose
69	40-62020-01	Fitting, 90°, 1/2 inch Male Insert O-Ring X #10 Hose

NOTE: QUICK-CLICK FITTING SEAL RINGS ARE NOT A REPLACEABLE ITEM

3.1.18 FITTING, QUICK-CLICK, SPLICERS



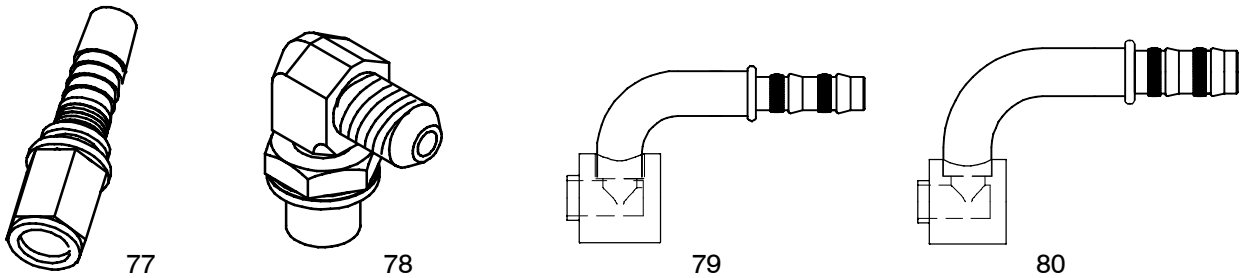
70	40-60086-03	Fitting, Straight, #8 Hose X #8 Hose
	40-60086-04	Fitting, Straight, #10 Hose X #10 Hose
	40-60086-05	Fitting, Straight, #12 Hose X #12 Hose
71	40-60137-03	Fitting, 90°, #8 Hose X #8 Hose
	40-60137-04	Fitting, 90°, #10 Hose X #10 Hose
	40-60137-05	Fitting, 90°, #12 Hose X #12 Hose
72	40-62012-00	Fitting, "T", #8 Hose X #8 Hose X #8 Hose
	40-62012-01	Fitting, "T", #12 Hose X #12 Hose #12 Hose
	40-62012-02	Fitting, "T", #10 Hose X #10 Hose X #10 Hose
73	40-62017-00	Fitting, "Y", #8 Hose X #8 Hose X #8 Hose
	40-62017-01	Fitting, "Y" #12 Hose X #12 Hose X #12 Hose
74	40-62027-01	Fitting, "h", #8 Hose X #8 Hose X #8 Hose
	40-62027-00	Fitting, "h", #12 Hose X #12 Hose #12 Hose

3.1.19 FITTING, QUICK-CLICK, 90, TXV, I.H.



75	40-62025-00	Fitting, 90°, #6 TXV X #8 Hose
76	40-62025-01	Fitting, 90°, #10 TXV X #12 Hose

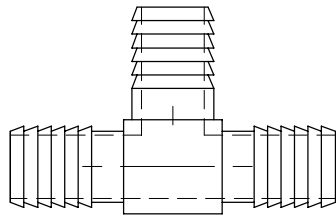
3.1.20 FITTINGS - MISC.:



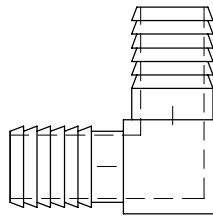
Item	Part Number	Description
77	40-62086-00	Fitting, Hose, #6 Hose x 37 Degree JIC Female
78	40-62087-00	Fitting, O-Ring, 90 Degree, JIC Male x Male M2 ORS
79	40-62088-00	Fitting, 90 Degree, GM BLock To #10 Quick-Click Hose
80	40-62089-00	Fitting, 90 Degree, GM BLock To #12 Quick-Click Hose

NOTE: QUICK-CLICK FITTING SEAL RINGS ARE NOT A REPLACEABLE ITEM

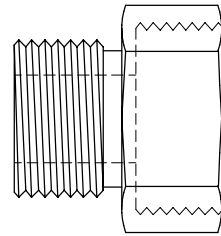
3.1.21 FITTINGS - BRONZE & BRASS - MISC.:



81



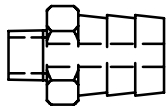
82



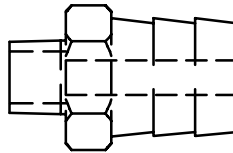
83

Item	Part Number	Description
81	40-62095-00	Fitting, Hose, Tee, Bronze, 1 Inch Heater Hose
82	40-62096-00	Fitting, Hose, Elbow, Bronze, 1 Inch Heater Hose
83	40-62075-00	Fitting, Reducing, 24 Female ORS x 20 Male ORS

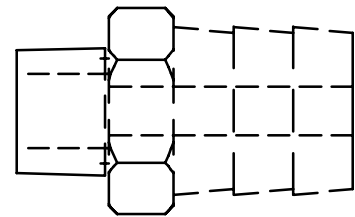
3.1.22 FITTING, HOSE BARB (40-01094)



84



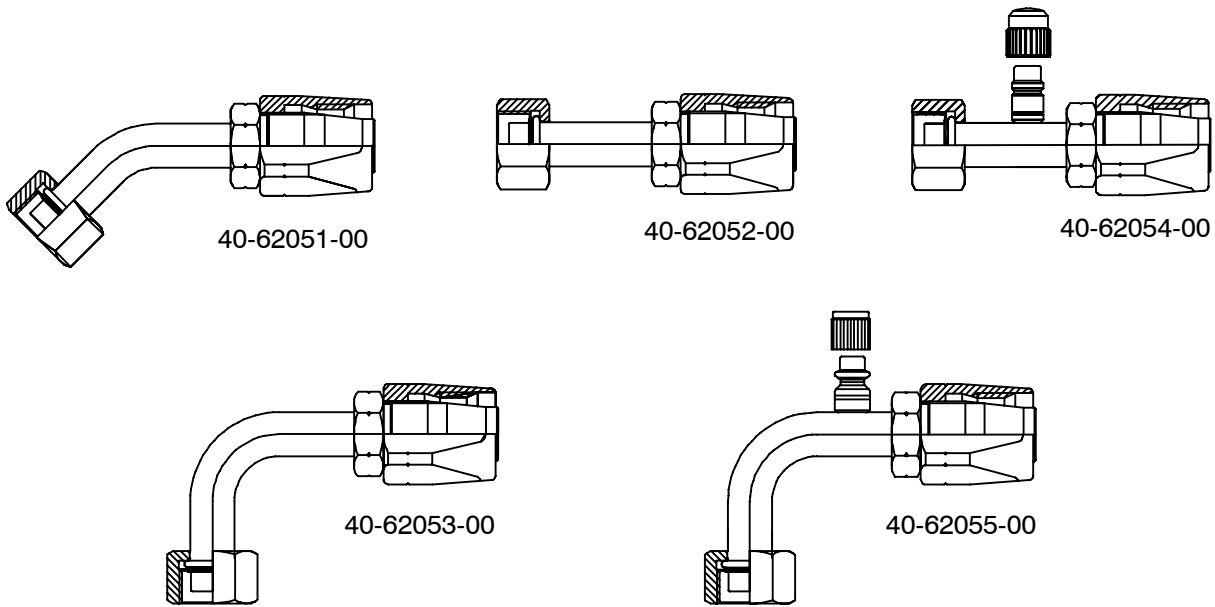
93



103

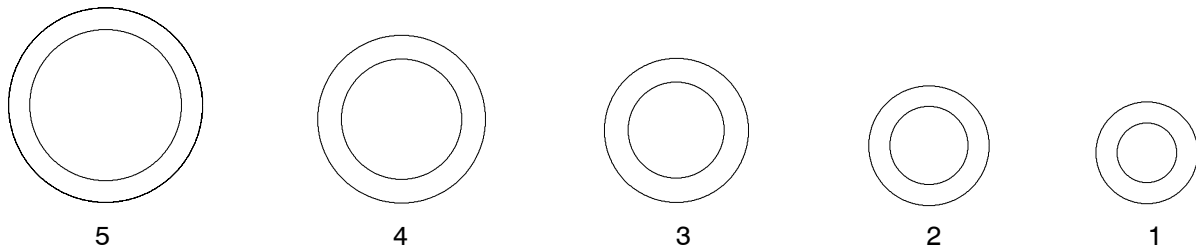
Item	Part Number	Description
84	40-01094-01	Fitting, Hose, Barb, 3/16 x 1/8 MPT
85	40-01094-02	Fitting, Hose, Barb, 1/4 x 1/8 MPT
86	40-01094-03	Fitting, Hose, Barb, 1/4 x 1/4 MPT
87	40-01094-04	Fitting, Hose, Barb, 1/4 x 3/8 MPT
88	40-01094-05	Fitting, Hose, Barb, 5/16 x 1/8 MPT
89	40-01094-06	Fitting, Hose, Barb, 5/16 x 1/4 MPT
90	40-01094-07	Fitting, Hose, Barb, 3/8 x 1/8 MPT
91	40-01094-08	Fitting, Hose, Barb, 3/8 x 1/4 MPT
92	40-01094-09	Fitting, Hose, Barb, 3/8 x 3/8 MPT
93	40-01094-10	Fitting, Hose, Barb, 1/2 x 1/4 MPT
94	40-01094-11	Fitting, Hose, Barb, 1/2 x 3/8 MPT
95	40-01094-12	Fitting, Hose, Barb, 1/2 x 1/2 MPT
96	40-01094-13	Fitting, Hose, Barb, 1/2 x 3/4 MPT
97	40-01094-14	Fitting, Hose, Barb, 5/8 x 3/8 MPT
98	40-01094-15	Fitting, Hose, Barb, 5/8 x 1/2 MPT
99	40-01094-16	Fitting, Hose, Barb, 3/4 x 1/2 MPT
100	40-01094-17	Fitting, Hose, Barb, 3/4 x 3/4 MPT
101	40-01094-18	Fitting, Hose, Barb, 1/8 x 1/8 MPT
102	40-01094-19	Fitting, Hose, Barb, 5/8 x 1/8 MPT
103	40-01094-20	Fitting, Hose, Barb, 1 x 3/4 MPT

3.1.23 FITTINGS - RE-USABLE - #16 NEWCLIMA HOSE



Item	Part Number	Description
104	40-62051-00	Fitting, 45 Degree, #12 F.O.R. X #16 Newclima Hose (Re-Usable)
105	40-62052-00	Fitting, Straight, #12 F.O.R. X #16 Newclima Hose (Re-Usable)
106	40-62053-00	Fitting, 90 Degree #12 F.O.R. X #16 Newclima Hose (Re-Usable)
107	40-62054-00	Fitting, Straight, #12 F.O.R. X #16 Newclima Hose, W/R134a Low Side Access
108	40-62055-00	Fitting, 90 Degree #12 F.O.R. X #16 Newclima Hose, W/R134a Low Side Access

3.1.24 "O"-RINGS, HNBR

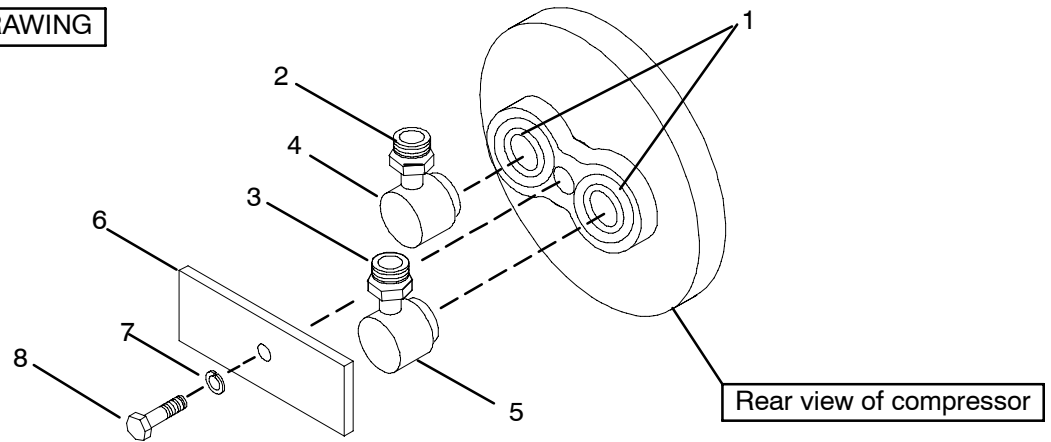


Item	Part Number	Description
1	AC801-201	O-Ring, Inch, HNBR, .301 I.D.
2	AC801-202	O-Ring, 1/2 Inch, HNBR, .426 I.D.
3	AC801-203	O-Ring, 5/8 Inch, HNBR, .551 I.D.
4	AC801-207	O-Ring, HNBR, .556 I.D.
5	AC801-217	O-Ring, HNBR, .676 I.D.
6	AC801-222	O-Ring, HNBR, Seltec/Sanden Manifold
7	42-00243-21	O-Ring, HNBR, A-6 Replacement, .796 I.D.

SECTION 3.2 COMPRESSOR FITTING KITS

3.2.1 INSTALLATION INSTRUCTIONS FOR COMPRESSORS WITH GM STYLE PORTS ON REAR

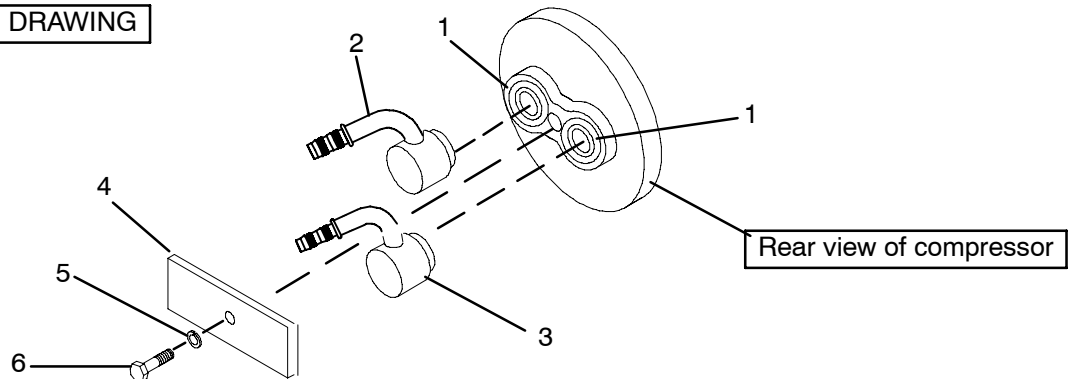
INSTALLATION DRAWING



Item	Part Number	Description
1	AC801-222	O-Ring, HNBR, Seltec/Sanden Manifold
	42-00243-21	O-Ring, HNBR, A-6 Replacement, .796 I.D.
2	AC801-202	O-Ring, 1/2 Inch, HNBR, .426 I.D.
3	AC801-203	O-Ring, 5/8 Inch, HNBR, .551 I.D.
4	40-62008-03	Fitting, Block, GM, 90 X #8 M.I.O.
5	40-62008-04	Fitting, Block, GM, 90 X #10 M.I.O.
	40-62008-05	Fitting, Block, GM, 90 X #12 M.I.O.
6	68-62139-00	Plate, Fitting Lock
7	34-00945-10	Washer, Split Lock, 10MM
8	34-62036-50	Bolt, Hex Head, 10MM-1.50P X 50MM Grade 10.9 (A-6 Only)
	34-62036-55	Bolt, Hex Head, 10MM-1.50P X 55MM Grade 10.9 (Seltec & Sanden Only)

3.2.2 INSTALLATION INSTRUCTIONS FOR SANDEN, SELTEC OR A-6

INSTALLATION DRAWING



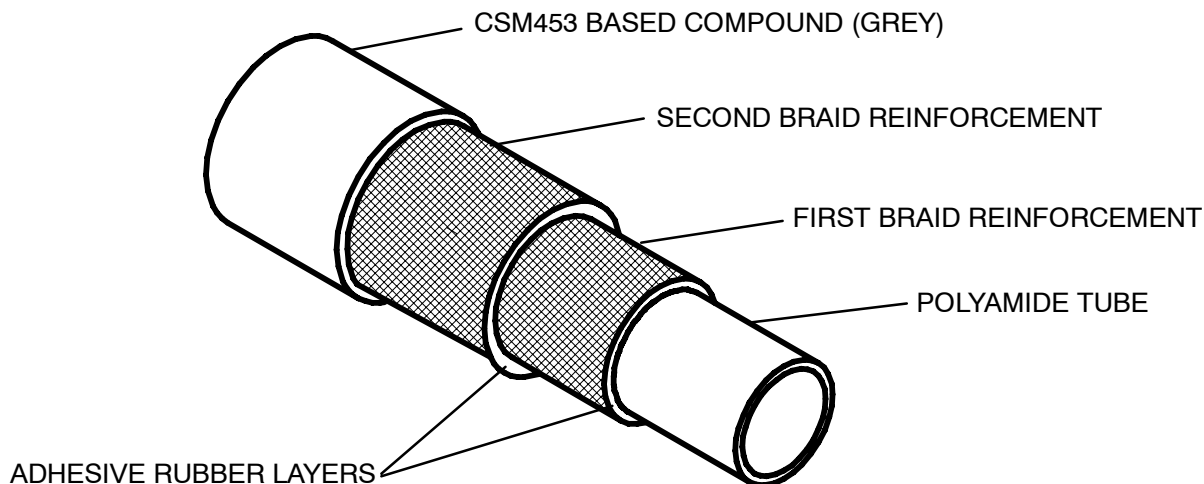
Item	Part Number	Description
1	AC801-222	O-Ring, HNBR, Seltec/Sanden Manifold
	42-00243-21	O-Ring, HNBR, A-6 Replacement, .796 I.D.
2	40-62089-00	Fitting, Block, GM, 90 Degree X #12 Quick-Click Hose
3	40-62088-00	Fitting, Block, GM, 90 Degree X #10 Quick-Click Hose
4	68-62139-00	Plate, Fitting Lock
5	34-00945-10	Washer, Split Lock, 10MM
6	34-62036-50	Bolt, Hex Head, 10MM-1.50P X 50MM Grade 10.9

3.2.3 FITTING KITS - SANDEN, SELTEC OR A-6 COMPRESSORS KITS ENDING WITH D OR -01		
1	AC301-419	Fitting, 90 Degree, 1/2 Inch Female O-Ring X #10 Beadlock Hose
2	AC302-432	Fitting, 90 Degree, 5/8 Inch Female O-Ring X #12 Beadlock Hose
3	AC302-436	Fitting, Straight, With Access #12 X #12 Beadlock Hose
4	AC302-437	Fitting, Straight, With Access #10 X #10 Beadlock Hose
5	40-62008-03	Fitting, Block, GM, 90 X #8 M.I.O.
6	40-62008-04	Fitting, Block, GM, 90 X #10 M.I.O.
7	68-62139-00	Plate, Fitting Lock
8	34-62036-50	Bolt, Hex Head, 10MM-1.50P X 50MM Grade 10.9 (A-6 Only)
	34-62036-55	Bolt, Hex Head, 10MM-1.50P X 55MM Grade 10.9 (Seltec & Sanden Only)
9	34-00945-10	Washer, Split Lock, 10MM
3.2.4 FITTING KITS - SANDEN, SELTEC OR A-6 COMPRESSORS KITS ENDING WITH E OR -02		
1	AC302-494	Fitting, 90 Degree, 1/2 Inch Female O-Ring X #10 Beadlock Hose W/Access
2	AC302-495	Fitting, 90 Degree, 5/8 Inch Female O-Ring X #12 Beadlock Hose W/Access
3	40-62008-03	Fitting, Block, GM, 90 X #8 M.I.O.
4	40-62008-04	Fitting, Block, GM, 90 X #10 M.I.O.
5	68-62139-00	Plate, Fitting Lock
6	34-62036-50	Bolt, Hex Head, 10MM-1.50P X 50MM Grade 10.9 (A-6 Only)
	34-62036-55	Bolt, Hex Head, 10MM-1.50P X 55MM Grade 10.9 (Seltec & Sanden Only)
7	34-00945-10	Washer, Split Lock, 10MM
3.2.5 FITTING KITS - SANDEN, SELTEC OR A-6 COMPRESSORS KITS ENDING WITH F OR -03		
Item	Part Number	Description
1	AC301-447	Fitting, Straight, 1/2 Inch Female O-Ring X #10 Beadlock Hose
2	AC302-459	Fitting, Straight, 5/8 Inch Female O-Ring X #12 Beadlock Hose
3	AC302-436	Fitting, Straight, With Access #12 X #12 Beadlock Hose
4	AC302-437	Fitting, Straight, With Access #10 X #10 Beadlock Hose
5	40-62008-03	Fitting, Block, GM, 90 X #8 M.I.O.
6	40-62008-04	Fitting, Block, GM, 90 X #10 M.I.O.
7	68-62139-00	Plate, Fitting Lock
8	34-62036-50	Bolt, Hex Head, 10MM-1.50P X 50MM Grade 10.9 (A-6 Only)
	34-62036-55	Bolt, Hex Head, 10MM-1.50P X 55MM Grade 10.9 (Seltec & Sanden Only)
9	34-00945-10	Washer, Split Lock, 10MM
3.2.6 FITTING KITS - SANDEN, SELTEC OR A-6 COMPRESSORS KITS ENDING WITH G OR -04		
1	40-60061-06	Fitting, 90 Degree, 1/2 Inch Female O-Ring X #10 Quick Click Hose
2	40-60061-07	Fitting, 90 Degree, 5/8 Inch Female O-Ring X #12 Quick Click Hose
3	40-62008-03	Fitting, Block, GM, 90 X #8 M.I.O.
4	40-62008-04	Fitting, Block, GM, 90 X #10 M.I.O.
5	68-62139-00	Plate, Fitting Lock
6	34-62036-50	Bolt, Hex Head, 10MM-1.50P X 50MM Grade 10.9 (A-6 Only)
	34-62036-55	Bolt, Hex Head, 10MM-1.50P X 55MM Grade 10.9 (Seltec & Sanden Only)
7	34-00945-10	Washer, Split Lock, 10MM
8	40-60058-05	Fitting, Splicer With Access, #12 X #12 Quick Click Hose
9	40-60059-04	Fitting, Splicer With Access, #10 X #10 Quick Click Hose
10	34-60019-04	Clamp, Module 10
11	34-60019-05	Clamp, Module 12

3.2.7 FITTING KITS - SANDEN, SELTEC OR A-6 COMPRESSORS KITS ENDING WITH H OR -05		
1	40-62008-03	Fitting, Block, GM, 90 X #8 M.I.O.
2	40-62008-04	Fitting, Block, GM, 90 X #10 M.I.O.
3	68-62139-00	Plate, Fitting Lock
4	34-62036-50	Bolt, Hex Head, 10MM-1.50P X 50MM Grade 10.9 (A-6 Only)
	34-62036-55	Bolt, Hex Head, 10MM-1.50P X 55MM Grade 10.9 (Seltec & Sanden Only)
5	34-00945-10	Washer, Split Lock, 10MM
6	40-62022-00	Fitting, 90 Degree, 1/2 Inch Female O-Ring X #10 Quick Click Hose W/Access
7	40-62023-00	Fitting, 90 Degree, 5/8 Inch Female O-Ring X #12 Quick Click Hose W/Access
8	34-60019-04	Clamp, Module 10
9	34-60019-05	Clamp, Module 12
3.2.8 FITTING KITS - SANDEN, SELTEC OR A-6 COMPRESSORS KITS ENDING WITH I OR -06		
1	40-60060-06	Fitting, Straight, 1/2 Inch Female O-Ring X #10 Quick Click Hose
2	40-60060-07	Fitting, Straight, 5/8 Inch Female O-Ring X #12 Quick Click Hose
3	40-60058-05	Fitting, Splicer With Access, #12 X #12 Quick Click Hose
4	40-60059-04	Fitting, Splicer With Access, #10 X #10 Quick Click Hose
5	40-62008-03	Fitting, Block, GM, 90 X #8 M.I.O.
6	40-62008-04	Fitting, Block, GM, 90 X #10 M.I.O.
7	68-62139-00	Plate, Fitting Lock
8	34-62036-50	Bolt, Hex Head, 10MM-1.50P X 50MM Grade 10.9 (A-6 Only)
	34-62036-55	Bolt, Hex Head, 10MM-1.50P X 55MM Grade 10.9 (Seltec & Sanden Only)
9	34-00945-10	Washer, Split Lock, 10MM
10	34-60019-04	Clamp, Module 10
11	34-60019-05	Clamp, Module 12

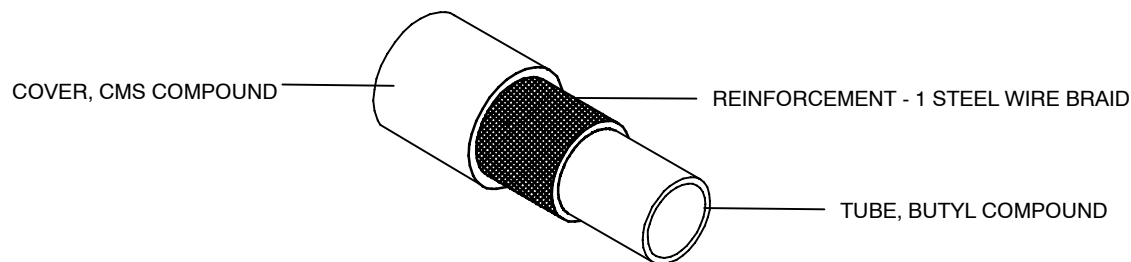
SECTION 3.3 REFRIGERANT HOSE AND CLAMPS

3.3.1 REFRIGERANT HOSE - QUICK-CLICK



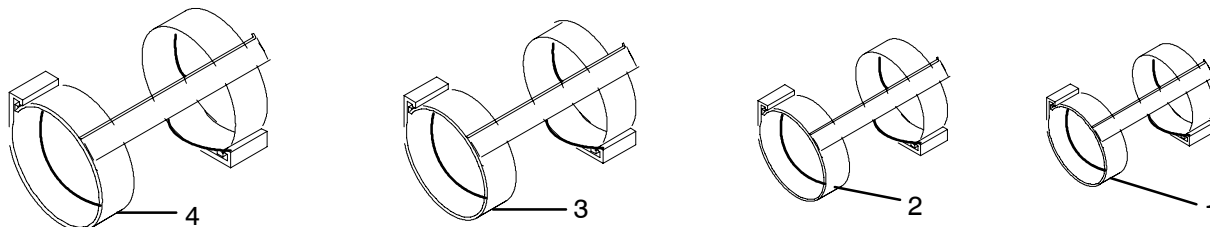
1	58-60115-02F50	Hose, Ecofrigo, #6, 5/16 Inch (8 MM ID X 16 MM OD), 50 Foot Length
2	58-60115-03F50	Hose, Ecofrigo, #8, 13/32 Inch (10.5MM ID X 18.8MM OD), 50 Foot Length
3	58-60115-04F50	Hose, Ecofrigo, #10, 1/2 Inch (12.7MM ID X 21.5MM OD), 50 Foot Length
4	58-60115-05F50	Hose, Ecofrigo, #12, 5/8 Inch (16.1MM ID X 24.1MM OD), 50 Foot Length

3.3.2 REFRIGERANT HOSE, NEWCLIMA



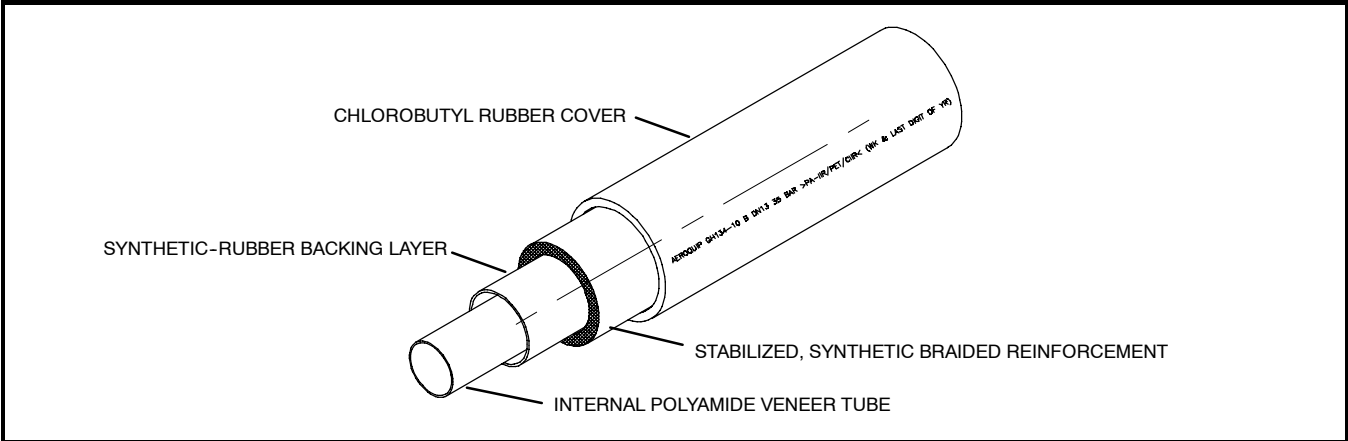
1	58-60502-01F60	Newclima Hose, #4 x 60 Foot Spool (4.8 MM I.D X 13 MM O. D.)
2	58-60502-02F60	Newclima Hose, #6 x 60 Foot Spool (8.0 MM I.D X 17.2 MM O. D.)
3	58-60502-03F60	Newclima Hose, #8 x 60 Foot Spool (10.5 MM I.D X 19.3 MM O. D.)
4	58-60502-04F60	Newclima Hose, #10 x 60 Foot Spool (12.7 MM I.D X 23.4 MM O. D.)
5	58-60502-05F60	Newclima Hose, #12 x 60 Foot Spool (16.0 MM I.D X 27.3 MM O. D.)
6	58-60502-06F60	Newclima Hose, #16 x 60 Foot Spool 22.0 MM I.D X 31.2 MM O. D.)
7	58-60502-07F60	Newclima Hose, #20 x 60 Foot Spool (28.0 MM I.D X 38.0 MM O. D.)
8	58-60502-08F60	Newclima Hose, #24 x 60 Foot Spool (35.0 MM I.D X 44.5 MM O. D.)

3.3.3 HOSE CLAMPS - QUICK-CLICK



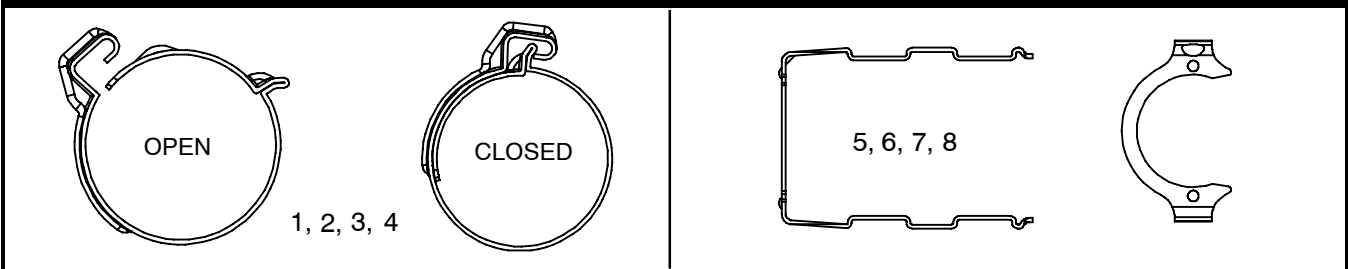
1	34-60019-02	Clamp, Quick-Click, #6
2	34-60019-03	Clamp, Quick-Click, #8
3	34-60019-04	Clamp, Quick-Click, #10
4	34-60019-05	Clamp, Quick-Click, #12

3.3.4 REFRIGERANT HOSE, AEROQUIP (GH134-6 THRU -12)

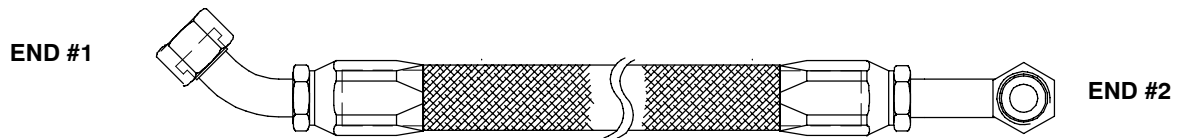
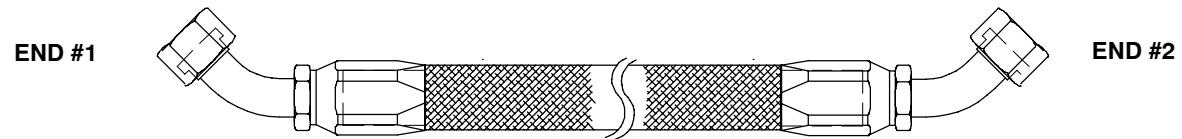
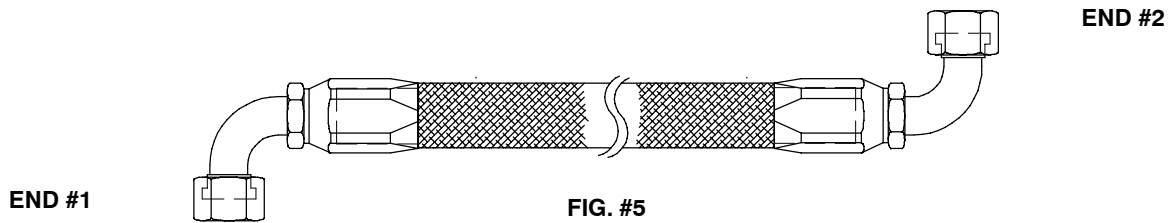
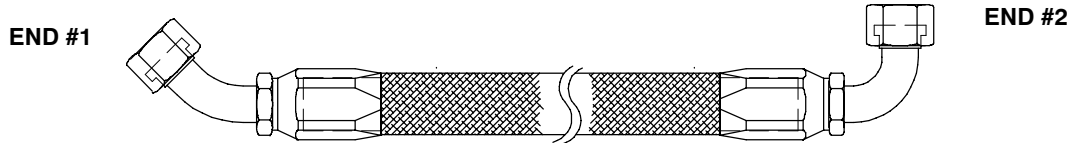
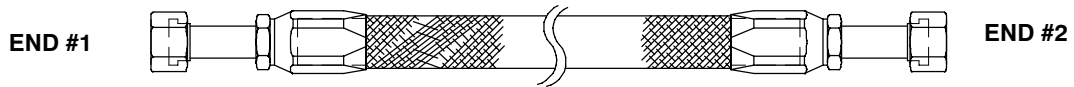
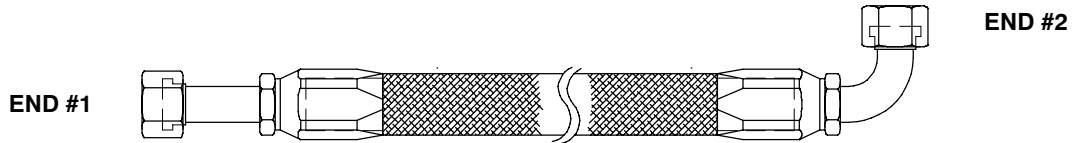
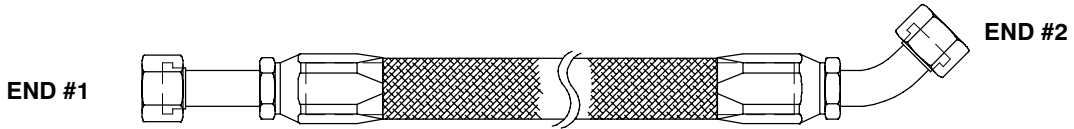


1	58-64105-00F50	Aeroquip Hose, (5/16) #6 x 50 Foot Spool (8.1 MM I.D X 15.2 MM O. D.)
2	58-64105-01F50	Aeroquip Hose, (13/32) #8 x 50 Foot Spool (10.7 MM I.D X 18.2 MM O. D.)
3	58-64105-02F50	Aeroquip Hose, (1/2) #10 x 50 Foot Spool (13.2 MM I.D X 20.3 MM O. D.)
4	58-64105-03F50	Aeroquip Hose, (5/8) #12 x 50 Foot Spool (16.3 MM I.D X 25.1 MM O. D.)

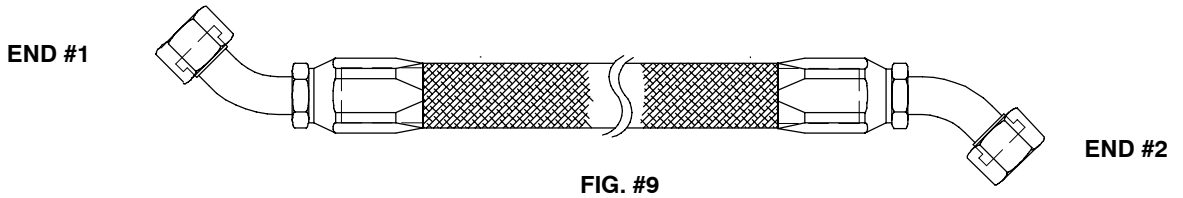
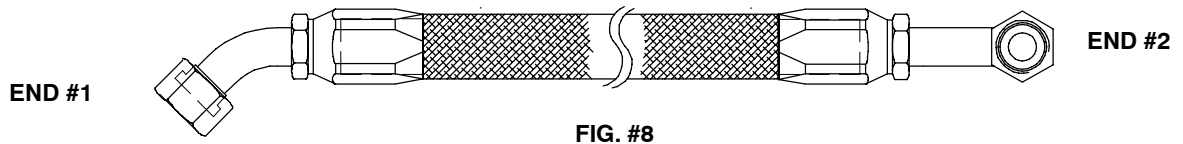
3.3.5 HOSE CLAMPS - AEROQUIP EZ CLIP



1	44-64009-00	Clamp, EZ Clip, #6 (CLIC 86 N 150)
2	44-64009-01	Clamp, EZ Clip, #8 (CLIC 86 N 175)
3	44-64009-02	Clamp, EZ Clip, #10 (CLIC 86 N 200)
4	44-64009-03	Clamp, EZ Clip, #12 (CLIC 86 N 245)
5	44-64008-00	Clamp, Cage, EZ Clip, #6
6	44-64008-01	Clamp, Cage, EZ Clip, #8
7	44-64008-02	Clamp, Cage, EZ Clip, #10
8	44-64008-03	Clamp, Cage, EZ Clip, #12



3.3.6 REFRIGERANT HOSE ASSEMBLIES (NEWCLIMA) 58-62017 - Continued:



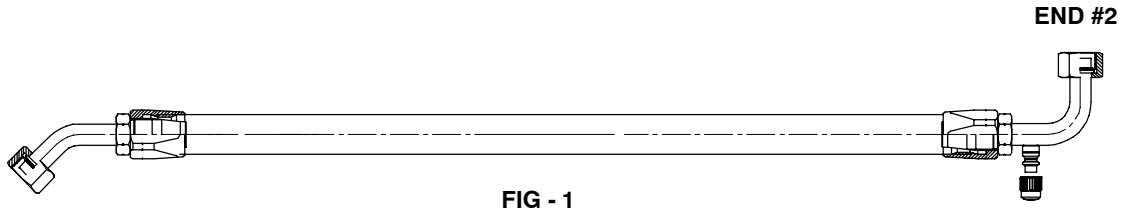
DASH NO.	END #1 FITTING DESCRIPTION	END #2 FITTING DESCRIPTION	HOSE DESCRIPTION	LENGTH INCHES	FIG. NO.
-00	ORS Straight 1-11/16-12 Thread 40-60011-07	ORS 90 Degree 1-11/16-12 Thread 40-60021-07	NEWCLIMA #20 58-60502-07	57.50	FIG.-2
-01	ORS Straight 1-7/16-12 Thread 40-60011-06	ORS Straight 1-7/16-12 Thread 40-60011-06	NEWCLIMA #16 58-60502-06	50.00	FIG.-3
-02	ORS Straight 1-11/16-12 Thread 40-60011-07	ORS 90 Degree 1-11/16-12 Thread 40-60021-07	NEWCLIMA #20 58-60502-07	90.00	FIG.-2
-03	ORS Straight 1-7/16-12 Thread 40-60011-06	ORS 45 Degree 1-7/16-12 Thread 40-60022-06	NEWCLIMA #16 58-60502-07	288.00	FIG.-1
-04	ORS Straight 1-7/16-12 Thread 40-60011-06	ORS 45 Degree 1-7/16-12 Thread 40-60022-06	NEWCLIMA #16 58-60502-06	31.00	FIG.-1
-05	ORS Straight 1-11/16-12 Thread 40-60011-07	ORS 45 Degree 1-11/16-12 Thread 40-60022-07	NEWCLIMA #20 58-60502-07	27.00	FIG.-1
-06	ORS Straight 1-11/16-12 Thread 40-60011-07	ORS 90 Degree 1-11/16-12 Thread 40-60021-07	NEWCLIMA #20 58-60502-07	33.00	FIG.-2
-07	ORS Straight 1-11/16-12 Thread 40-60011-07	ORS 90 Degree 1-11/16-12 Thread 40-60021-07	NEWCLIMA #20 58-60502-07	72.00	FIG.-2
-08	ORS Straight 1-7/16-12 Thread 40-60011-06	ORS 90 Degree 1-7/16-12 Thread 40-60021-06	NEWCLIMA #16 58-60502-06	384.00	FIG.-2
-09	ORS Straight 1-7/16-12 Thread 40-60011-06	ORS 90 Degree 1-7/16-12 Thread 40-60021-06	NEWCLIMA #16 58-60502-06	37.00	FIG.-2
-10	ORS Straight 1-11/16-12 Thread 40-60011-07	ORS 45 Degree 1-11/16-12 Thread 40-60022-07	NEWCLIMA #20 58-60502-07	33.00	FIG.-1

3.3.6 REFRIGERANT HOSE ASSEMBLIES (NEWCLIMA) 58-62017 - Continued:

DASH NO.	END #1 FITTING DESCRIPTION	END #2 FITTING DESCRIPTION	HOSE DESCRIPTION	LENGTH INCHES	FIG. NO.
-11	ORS Straight 1-14 Thread 40-60011-04	ORS 45 Degree 1-14 Thread 40-60022-04	NEWCLIMA #10 58-60502-04	60.00	FIG.-1
-12	ORS Straight 1-14 Thread 40-60011-04	ORS 45 Degree 1-14 Thread 40-60022-04	NEWCLIMA #10 58-60502-04	276.00	FIG.-1
-13	ORS Straight 1-7/16-12 Thread 40-60011-06	ORS 90 Degree 1-7/16-12 Thread 40-60021-06	NEWCLIMA #16 58-60502-06	38.00	FIG.-2
-14	ORS Straight 1-11/16-12 Thread 40-60011-07	ORS 90 Degree 1-11/16-12 Thread 40-60021-07	NEWCLIMA #20 58-60502-07	36.00	FIG.-2
-15	ORS Straight 1-11/16-12 Thread 40-60011-07	ORS 45 Degree 1-11/16-12 Thread 40-60022-07	NEWCLIMA #20 58-60502-07	35.00	FIG.-1
-16	ORS Straight 1-7/16-12 Thread 40-60011-06	ORS 90 Degree 1-7/16-12 Thread 40-60021-06	NEWCLIMA #16 58-60502-06	63.00	FIG.-2
-17	ORS Straight 2-12 Thread 40-60011-08	ORS 45 DEgree 2-12 Thread 40-60022-08	NEWCLIMA #24 58-60502-08	35.00	FIG.-1
-18	ORS Straight 1-7/16-12 Thread 40-60011-06	ORS 90 DEgree 1-7/16-12 Thread 40-60021-06	NEWCLIMA #16 58-60502-06	170.00	FIG.-2
-19	ORS Straight 1-14 Thread 40-60011-04	ORS 90 Degree 1-14 Thread 40-60021-04	NEWCLIMA #10 58-60502-04	74.00	FIG.-2
-20	ORS 90 Degree 1-14 Thread 40-60021-04	ORS 45 Degree 1-14 Thread 40-60022-04	NEWCLIMA #10 58-60502-04	22.00	FIG.-4
-21	ORS 90 Degree 1-7/16-12 Thread 40-60021-06	ORS 90 Degree 1-7/16-12 Thread 40-60021-06	NEWCLIMA #16 58-60502-06	33.00	FIG.-5
-22	ORS 45 Degree 1-11/16-12 Thread 40-60022-07	ORS 45 Degree 1-11/16-12 Thread 40-60022-07	NEWCLIMA #20 58-60502-07	26.00	FIG.-6
-23	ORS 90 Degree 1-11/16-12 Thread 40-60021-07	ORS 90 Degree 1-11/16-12 Thread 40-60021-07	NEWCLIMA #20 58-60502-07	105.00	FIG.-5
-24	ORS Straight 1-11/16-12 Thread 40-60011-07	ORS 90 Degree 1-11/16-12 Thread 40-60021-07	NEWCLIMA #20 58-60502-07	30.00	FIG.-2
-25	ORS 45 Degree 1-11/16-12 Thread 40-60022-07	ORS 90 Degree 1-11/16-12 Thread 40-60021-07	NEWCLIMA #20 58-60502-07	35.00	FIG.-7
-26	ORS 45 Degree 1-7/16-12 Thread 40-60022-06	ORS 90 Degree 1-7/16-12 Thread 40-60021-06	NEWCLIMA #16 58-60502-06	35.00	FIG.-8
-27	ORS Straight 1-7/16-12 Thread 40-60011-06	ORS 90 Degree 1-7/16-12 Thread 40-60021-06	NEWCLIMA #16 58-60502-06	54.00	FIG.-2
-28	ORS Straight 1-11/16-12 Thread 40-60011-07	ORS 90 Degree 1-11/16-12 Thread 40-60021-07	NEWCLIMA #20 58-60502-07	44.00	FIG.-2

3.3.6 REFRIGERANT HOSE ASSEMBLIES (NEWCLIMA) 58-62017 - Continued:					
DASH NO.	END #1 FITTING DESCRIPTION	END #2 FITTING DESCRIPTION	HOSE DESCRIPTION	LENGTH INCHES	FIG. NO.
-29	ORS Straight 1-11/16-12 Thread 40-60011-07	ORS 90 Degree 1-11/16-12 Thread 40-60021-07	NEWCLIMA #20 58-60502-07	40.00	FIG.-2
-30	ORS Straight 2-12 Thread 40-60011-08	ORS 45 Degree 2-12 Thread 40-60022-08	NEWCLIMA #24 58-60502-08	31.00	FIG.-1
-31	ORS Straight 2-12 Thread 40-60011-08	ORS 45 Degree 2-12 Thread 40-60022-08	NEWCLIMA #24 58-60502-08	41.00	FIG.-1
-32	ORS Straight 1-11/16-12 Thread 40-60011-07	ORS Straight 1-11/16-12 Thread 40-60011-07	NEWCLIMA #20 58-60502-07	30.00	FIG.-3
-33	ORS 45 Degree 2-12 Thread 40-60022-08	ORS 45 Degree 2-12 Thread 40-60022-08	NEWCLIMA #24 58-60502-08	38.00	FIG.-9
-34	ORS Straight 1-7/16-12 Thread 40-60011-06	ORS 90 Degree 1-7/16-12 Thread 40-60021-06	NEWCLIMA #16 58-60502-06	59.00	FIG.-2
-35	ORS Straight 1-11/16-12 Thread 40-60011-07	ORS 45 Degree 1-11/16-12 Thread 40-60022-07	NEWCLIMA #20 58-60502-07	33.00	FIG.-1
-36	ORS Straight 1-7/16-12 Thread 40-60011-06	ORS 90 Degree 1-7/16-12 Thread 40-60021-06	NEWCLIMA #16 58-60502-06	46.00	FIG.-2
-37	ORS Straight 1-7/16-12 Thread 40-60011-06	ORS 45 Degree 1-7/16-12 Thread 40-60022-06	NEWCLIMA #16 58-60502-06	312.00	FIG.-1
-38	ORS Straight 1-11/16-12 Thread 40-60011-07	ORS 90 Degree 1-11/16-12 Thread 40-60021-07	NEWCLIMA #20 58-60502-07	132.00	FIG.-2
-39	ORS Straight 1-14 Thread 40-60011-04	ORS 90 Degree 1-14 Thread 40-60021-04	NEWCLIMA #10 58-60502-04	312.00	FIG.-2
-40	ORS Straight 1-7/16-12 Thread 40-60011-06	ORS 45 Degree 1-7/16-12 Thread 40-60022-06	NEWCLIMA #16 58-60502-06	34.00	FIG.-1
-41	ORS Straight 1-11/16-12 Thread 40-60011-07	ORS 45 Degree 1-11/16-12 Thread 40-60022-07	NEWCLIMA #20 58-60502-07	40.00	FIG.-1
-42	ORS Straight 1-7/16-12 Thread 40-60011-06	ORS 45 Degree 1-7/16-12 Thread 40-60022-06	NEWCLIMA #16 58-60502-06	35.50	FIG.-1
-43	ORS Straight 1-7/16-12 Thread 40-60011-06	ORS 90 Degree 1-7/16-12 Thread 40-60021-06	NEWCLIMA #16 58-60502-06	55.50	FIG.-2
-44	ORS Straight 1-11/16-12 Thread 40-60011-07	ORS Straight 1-1/16-12 Thread 40-60011-07	NEWCLIMA #20 58-60502-07	36.00	FIG.-3

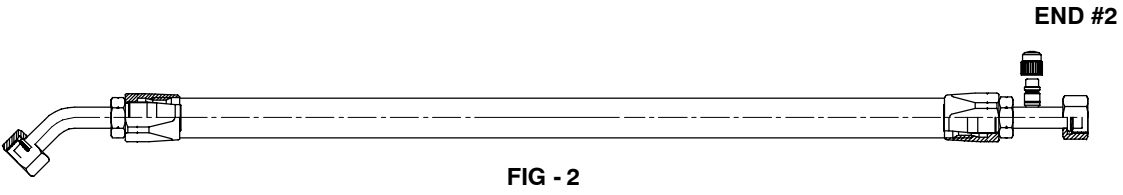
3.3.7 REFRIGERANT HOSE ASSEMBLIES (NEWCLIMA #16) 58-62038



END #1

FIG - 1

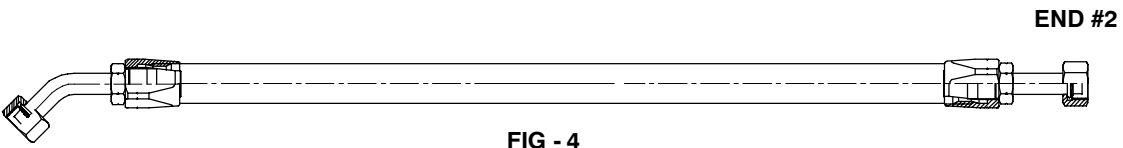
END #2



END #1

FIG - 2

END #2



END #1

FIG - 4

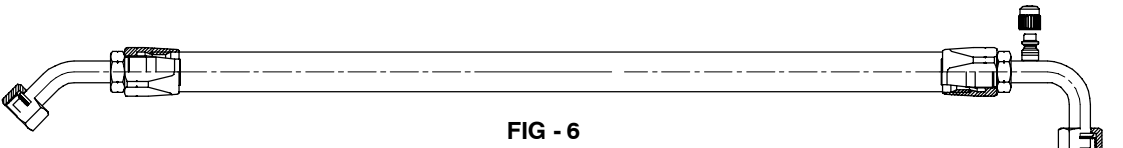
END #2



END #1

FIG - 5

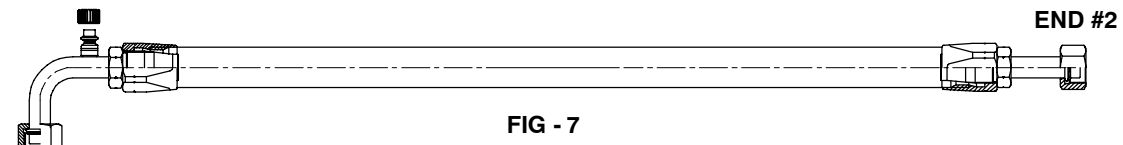
END #2



END #1

FIG - 6

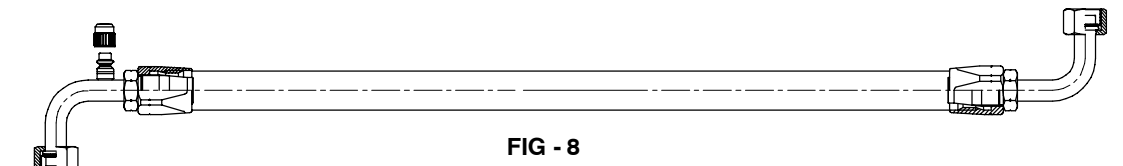
END #2



END #1

FIG - 7

END #2



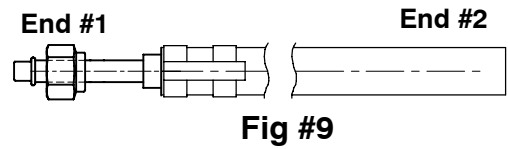
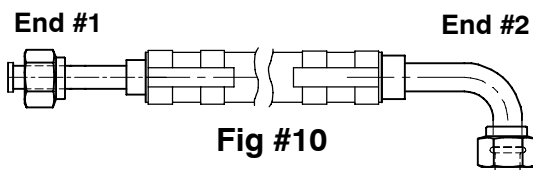
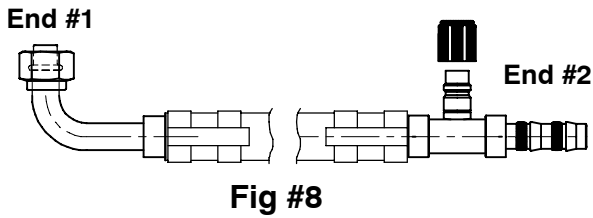
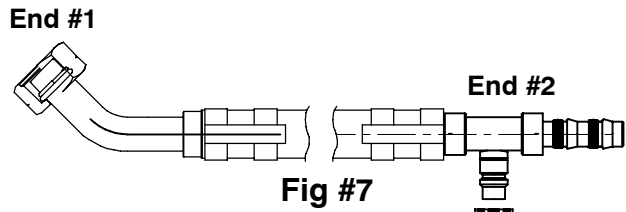
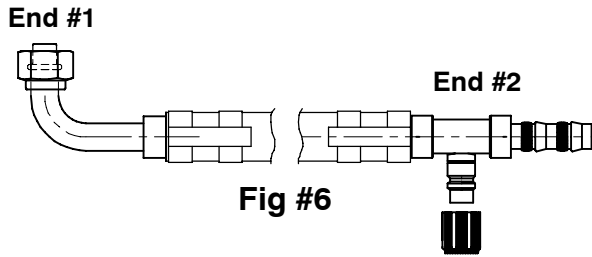
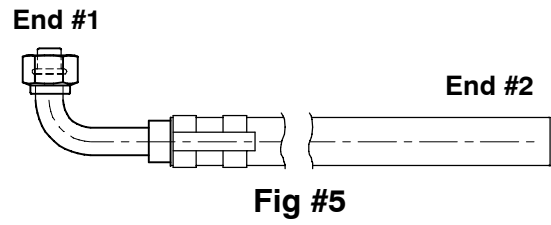
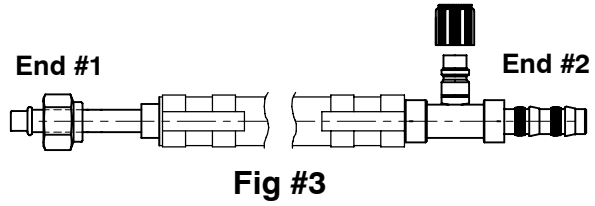
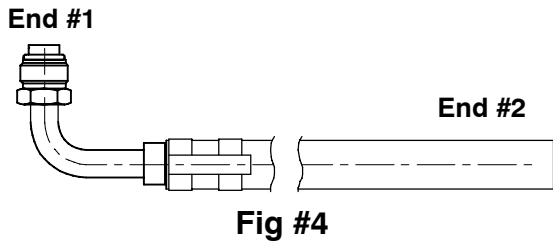
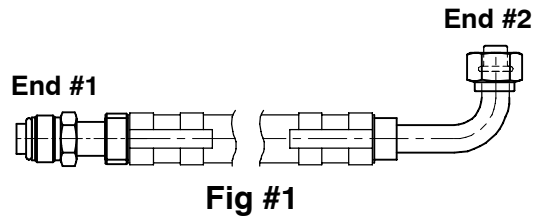
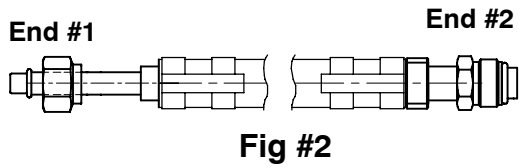
END #1

FIG - 8

END #2

3.3.7 REFRIGERANT HOSE ASSEMBLIES (NEWCLIMA #16) 58-62038 - Continued:

DASH NO.	END #1 FITTING DESCRIPTION	END #2 FITTING DESCRIPTION	HOSE DESCRIPTION	LENGTH INCHES	FIG. NO.
-00	#12 F.O. Ring, 45 1-1/16-14 Thread 40-62051-00	#12 F.O. Ring, 90, W/ACC 1-1/16-14 Thread 40-62055-00	NEWCLIMA #16 58-60502-06	313.0	FIG.-1
-01	#12 F.O. Ring, 45 1-1/16-14 Thread 40-62051-00	#12 F.O. Ring, Str. W/ACC 1-1/16-14 Thread 40-62054-00	NEWCLIMA #16 58-60502-06	313.0	FIG.-2
-05	#12 F.O. Ring, 45 1-1/16-14 Thread 40-62051-00	#12 F.O. Ring, 90, W/ACC 1-1/16-14 Thread 40-62055-00	NEWCLIMA #16 58-60502-06	411.0	FIG.-1
-06	#12 F.O. Ring, 45 1-1/16-14 Thread 40-62051-00	#12 F.O. Ring, Str. W/ACC 1-1/16-14 Thread 40-62054-00	NEWCLIMA #16 58-60502-06	359.0	FIG.-2
-07	#12 F.O. Ring, 45 1-1/16-14 Thread 40-62051-00	#12 F.O. Ring, Straight 1-1/16-14 Thread 40-62052-00	NEWCLIMA #16 58-60502-06	84.0	FIG.-4
-08	#12 F.O. Ring, 45 1-1/16-14 Thread 40-62051-00	#12 F.O. Ring, 90 1-1/16-14 Thread 40-62053-00	NEWCLIMA #16 58-60502-06	96.0	FIG.-5
-09	#12 F.O. Ring, 45 1-1/16-14 Thread 40-62051-00	#12 F.O. Ring, Str. W/ACC 1-1/16-14 Thread 40-62054-00	NEWCLIMA #16 58-60502-06	411.0	FIG.-2
-10	#12 F.O. Ring, 45 1-1/16-14 Thread 40-62051-00	#12 F.O. Ring, 90, W/ACC 1-1/16-14 Thread 40-62055-00	NEWCLIMA #16 58-60502-06	312.0	FIG.-6
-11	#12 F.O. Ring, 90, W/ACC 1-1/16-14 Thread 40-62055-00	#12 F.O. Ring, Straight 1-1/16-14 Thread 40-62052-00	NEWCLIMA #16 58-60502-06	53.5	FIG.-7
-12	#12 F.O. Ring, 90, W/ACC 1-1/16-14 Thread 40-62055-00	#12 F.O. Ring, Straight 1-1/16-14 Thread 40-62052-00	NEWCLIMA #16 58-60502-06	60.0	FIG.-7
-13	#12 F.O. Ring, 90, W/ACC 1-1/16-14 Thread 40-62055-00	#12 F.O. Ring, 90 1-1/16-14 Thread 40-62053-00	NEWCLIMA #16 58-60502-06	600.0	FIG.-8
-14	#12 F.O. Ring, 45 1-1/16-14 Thread 40-62051-00	#12 F.O. Ring, 90, W/ACC 1-1/16-14 Thread 40-62055-00	NEWCLIMA #16 58-60502-06	264.0	FIG.-1
-15	#12 F.O. Ring, 45 1-1/16-14 Thread 40-62051-00	#12 F.O. Ring, 90, W/ACC 1-1/16-14 Thread 40-62055-00	NEWCLIMA #16 58-60502-06	54.0	FIG.-6



3.3.8 REFRIGERANT HOSE ASSEMBLIES (QUICK-CLICK - MANULI) 58-62045 - Continued:

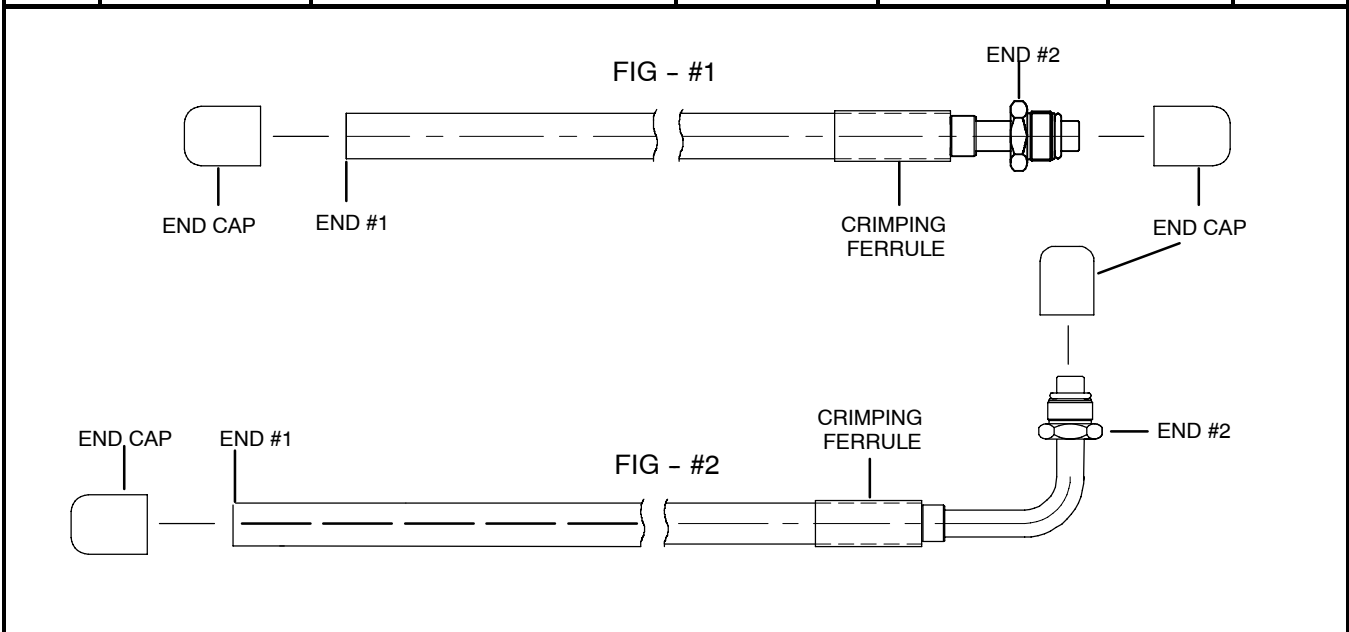
DASH NO.	END #1 FITTING DESCRIPTION	END #2 FITTING DESCRIPTION	HOSE DESCRIPTION	LENGTH INCHES	FIG. NO.
-00	#6 Straight, M.O-Ring 40-60051-08	#8 90 Degree F.O-Ring 40-60061-03	Ecofriogo #8 58-60115-03	52.43	FIG.-1
-01	#8 Straight F.O-Ring 40-60060-06	#10 Straight M.O-Ring	Ecofriogo #10 58-60115-04	53.41	FIG.-2
-02	#6 Straight M.O-Ring 40-60051-08	#8 90 Degree F.O.Ring 40-60061-03	Ecofriogo #8 58-60115-03	83.43	FIG.-1
-03	#8 Straight F.O-Ring 40-60060-06	#10 Straight M.O-Ring	Ecofriogo #10 58-60115-04	84.41	FIG.-2
-04	#10 Straight F.O-Ring X #12 Hose 40-60060-07	#12 Access Splice 40-60058-05	Ecofriogo #12 58-60115-05	29.00	FIG.-3
-05	#8 Straight F.O-Ring X #10 Hose 40-60060-06	#10 Access Splice 40-60059-04	Ecofriogo #10 58-60115-04	27.00	FIG.-3
-06	#6 90 Degree M. O-Ring X #8 Hose 40-60083-08	NONE	Ecofriogo #8 58-60115-03	399.00	FIG.-4
-07	#10 90 Degree M.O-Ring X #12 Hose 40-60083-07	NONE	Ecofriogo #12 58-60115-05	543.00	FIG.-4
-08	#8 90 Degree F.O-Ring X #10 Hose 40-60061-06	NONE	Ecofriogo #10 58-60115-04	279.00	FIG.-5
-09	#10 90 Degree F.O-Ring X #12 Hose 40-60061-07	#12 Access Splice 40-60058-05	Ecofriogo #12 58-60115-05	29.00	FIG.-6
-10	#8 90 Degree F.O-Ring X #10 Hose 40-60061-06	#10 Access Splice 40-60059-04	Ecofriogo #10 58-60115-04	27.00	FIG.-6
-15	#10 90 Degree F.O-Ring X #12 Hose 40-60061-07	#12 Splice W/Access 40-60058-05	Ecofriogo #12 58-60115-05	26.84	FIG.-6
-16	#10 90 Degree F.O-Ring X #12 Hose 40-60061-07	#12 Splice W/Access 40-60058-05	Ecofriogo #12 58-60115-05	11.00	FIG.-6
-17	#8 90 Degree F.O-Ring X #10 Hose 40-60061-06	#10 Access Splice 40-60059-04	Ecofriogo #10 58-60115-04	11.00	FIG.-6
-18	#10 45 Degree F.O-Ring X #12 Hose 40-60050-07	#12 Splice W/Access 40-60058-05	Ecofriogo #12 58-60115-05	16.75	FIG.-7
-19	#8 45 Degree F.O. Ring X #10 Hose 40-60050-06	#10 Splice W/Access 40-60059-04	Ecofriogo #10 58-60115-04	15.75	FIG.-7
-20	#10 90 Degree F.O-Ring X #12 Hose 40-60061-07	#12 Splice W/Access 40-60058-05	Ecofriogo #12 58-60115-05	18.00	FIG.-8
-21	#8 90 Degree F.O-Ring X #10 Hose 40-60061-06	#10 Splice W/Access 40-60059-04	Ecofriogo #10 58-60115-04	17.25	FIG.-8

3.3.8 REFRIGERANT HOSE ASSEMBLIES (QUICK-CLICK - MANULI) 58-62045 - Continued:

DASH NO.	END #1 FITTING DESCRIPTION	END #2 FITTING DESCRIPTION	HOSE DESCRIPTION	LENGTH INCHES	FIG. NO.
-22	#10 Straight F.O-Ring X #12 Hose 40-60060-07	NONE	Ecofriogo #12 58-60115-05	65.00	FIG.-9
-23	#8 Straight F.O-Ring X #10 Hose 40-60060-06	NONE	Ecofriogo #10 58-60115-04	65.00	FIG.-9
-24	#8 Straight ORS X #8 Hose 40-60047-03	#6 90 Degree F.O-Ring X #8 Hose 40-60061-08	Ecofriogo #8 58-60115-03	63.00	FIG.-10

3.3.9 REFRIGERANT HOSE ASSEMBLIES (QUICK-CLICK - MANULI) 58-62197

DASH NO.	END #1 FITTING DESCRIPTION	END #2 FITTING DESCRIPTION	CRIMPING FERRULE	HOSE DESCRIPTION	LENGTH INCHES	FIG. NO.
-00	NONE	Fitting, Str., 3/8 M.O.R. 5/8-18 UNF-2A Thread	Ferrule (15.0) ID #8	Manuli #8 O.D. = .72 (18.2) 58-60502-03	168.00 (4267.2)	FIG.-1
-01	NONE	Fitting, Str., 5/8 M.O.R. 7/8-18 UNS-2A Thread	Ferrule (20.5) ID #12	Manuli #12 O.D. = .99 (25.2) 58-60502-05	168.00 (4267.2)	FIG.-1
-02	NONE	Fitting, 90 Deg. 3/8 M.O.R. 5/8-18 UNF-2A Thread	Ferrule (15.0) ID #8	Manuli #8 O.D. = .72 (18.2) 58-60502-03	192.00 (4876.8)	FIG.-2
-03	NONE	Fitting, 90 Deg., 5/8 M.O.R. 7/8-18 UNS-2A Thread	Ferrule (20.5) ID #12	Manuli #12 O.D. = .99 (25.2) 58-60502-05	192.00 (4876.8)	FIG.-2



SECTION 4 - COMPRESSORS

4.1 SANDEN, SD-508, (R12)



Part Number	Description
AC501-249A	Compressor, SD-508, 12 VDC, (7) Gr. Poly-V, Horizontal Tube-O (9570) With Fittings
N/A	Compressor, SD-508, 12 VDC, (1) "B" Gr., Horizontal O-Ring (9590) AC501-229A

4.2 SANDEN, SD-709, (R12)



N/A	Compressor, SD-709, (2) "A" Gr., 12 VDC, Horizontal Tube-O, (7402) AC501-224A
N/A	Compressor, SD-709, (2) "A" Gr., 12 VDC, Vertical O-Ring, (7409) AC501-225A
N/A	Compressor, SD-709 (2) "A" Gr., 24 VDC, Vertical O-Ring AC501-262A
AC501-226A	Compressor, SD-709, (6) Gr. Poly-V, Direct Mt, Vertical O-Ring, (7416) With Fittings
N/A	Compressor, SD-709, (6) Gr. Poly-V, 12 VDC, Direct Mt, Horizontal Tube-O AC501-230A
AC501-252A	Compressor, SD-709, (6) Gr. Poly-V, 12 VDC, Vertical Tube-O (7427) With Fittings
N/A	Compressor, SD-709, (8) Gr. Poly-V, Direct Mt, Horizontal O-Ring (7730) AC501-263A
*AC501-280A	Compressor, SD-709, (8) Gr. Poly-V, 12 VDC, Direct Mt., H.O-Ring, (S/S to AC501-298A) *Note: SD709 Compressors Have Been Replaced By SD-7H15 Compressors With 134a

THE LETTER "A" OR "B" AT END OF THE PART # (EX. AC501-224A) MEANS THAT THE COMPRESSOR IS SUPPLIED WITH FITTINGS AND O-RINGS

4.3 SANDEN, SD-709 (R12 & R134a)



AC501-259A	Compressor, SD-709, (6) Gr. Poly-V, 12 VDC, Horizontal Tube-O, With Fittings (R-12)
AC501-239	Field Coil, Clutch, 12 VDC, SD-709 and SD-7H15
AC501-236	Field Coil, Clutch, 24 VDC, SD-709 and SD-7H15
AC501-234	Head, Cylinder, With Gasket, Vertical O-Ring, SD-709
AC501-256	Head, Cylinder, With Gasket, Horizontal Tube-O, SD-709
AC501-261	Head, Cylinder, With Gasket, Vertical Tube-O, SD-709
AC501-269	Gasket, Cylinder Head, SD-709
AC501-246	Clutch Assembly, (2) "A" Groove, 12 VDC, SD-709
AC501-247	Clutch Assembly, (6) Groove, 12 VDC, Poly-V, SD-709
AC501-257	Kit, Seal, SD-709 (R-22)



THE LETTER "A" OR "B" AT END OF THE PART # (EX. AC501-224A) MEANS THAT THE COMPRESSOR IS SUPPLIED WITH FITTINGS AND O-RINGS

4.4 SANDEN, SD-510, (R12)

17-31270-00	Compressor, SD-510, 12 VDC, (2) "A" Gr., Vertical Flow, (9103) (501-200A)
AC501-215	Compressor, SD-510, 24 VDC, (2) "A" Groove, Vertical Flow, (9105)
AC501-216	Compressor, SD-510, 12 VDC, (2) "A" Gr., Horizontal Tube-O, (9125) (S/S To AC501-270A)
AC501-248	Compressor, SD-510, 12 VDC, (2) "A" Gr., Vertical O-Ring, (9137)
AC501-223A	Compressor, SD-510, 12 VDC, (7) Gr., Vertical O-Ring, (9663) With Fittings



4.5 SD-510 SANDEN PARTS

AC501-206	Field Coil, Clutch, 12 VDC, SD-510,
AC501-232	Field Coil, Clutch, 24 VDC, SD-510
AC501-212	Head, Cylinder, With Gasket, SD-510, Vertical Flow
AC501-207	Clutch Assembly, (2) "A" Gr., 12 VDC, SD-510, 132 MM

THE LETTER "A" OR "B" AT END OF THE PART # (EX. AC501-224A) MEANS THAT THE COMPRESSOR IS SUPPLIED WITH FITTINGS AND O-RINGS

4.6 SANDEN, SD-7H15, (R134a)




AC501-282A	Compressor, SD-7H15, (2) "A" Gr.132mm, Direct Mt., Vert. O-Ring, 12 VDC, (4626) W/Fittings
AC501-289A	Compressor, SD-7H15, (8) Gr. Poly-V, H.Tube-O, (7822), With 90 Deg. Fittings, 12 VDC
N/A	Compressor, SD-7H15, (8) Gr. Poly-V, H.Tube-O, (7822), Straight Fitting, 12 VDC AC501-289B
AC501-298A	Compressor, SD-7H15, (8) Gr. Poly-V, 119mm, Direct Mt, Hor. O-Ring, 12 VDC, W/Ftgs (4666)
AC501-298	Compressor, SD-7H15, (8) Gr. Poly-V, 119mm, Direct Mt, Hor. O-Ring, 12 VDC
18-00093-00	Compressor, SD-7H15-SHD, (2) "A" Grv. 125mm, 3/4 In. X 7/8 In. Vert. O-Ring, 12 VDC
18-00093-01	Compressor, SD-7H15-SHD, (2) "A" Grv. 125mm, GM Pad Fitting, 12 VDC (4708)
18-00093-02	Compressor, SD-7H15-SHD, (8) Gr. Poly-V, 3/4 In. X 7/8 In. Vert. O-Ring, 12 VDC (4711)
18-00093-03	Compressor, SD-7H15-SHD, (8) Gr. Poly-V, GM Pad Fitting, 12 VDC (4707)
18-00093-04	Compressor, SD-7H15-SHD, (8) Gr. Poly-V, 1 In.-14 Horiz. Tube O-Ring, 12V (4776) Dir. Mt.
18-00093-08	Compressor, SD-7H15-SHD, (2) "A" Grv. 125mm, 3/4 In. X 7/8 In. Vert. O-Ring, 24 VDC (4445)
18-00093-14	Compressor, SD-7H15-SHD, (2) "A" Grv. 125 mm, GM Pad Fitting, 12 VDC (4419)
18-00093-15	Compressor, SD-7H15-SHD, (2) "A" Grv. 125 mm, GM Pad Fittings W/Connections, 12 VDC
18-00093-16	Compressor, SD7H15 EHC, 10 Grv., Poly-V123 mm, GM Pad Fitting (4034)




THE LETTER "A" OR "B" AT END OF THE PART # (EX. AC501-224A) MEANS THAT THE COMPRESSOR IS SUPPLIED WITH FITTINGS AND O-RINGS

4.7 SANDEN SD-7H15 SHD, PARTS

AC501-285	Head, Cylinder, With Gasket, Horizontal O-Ring, SD-7H15
AC501-286	Head, Cylinder, With Gasket, Vertical O-Ring, SD-7H15



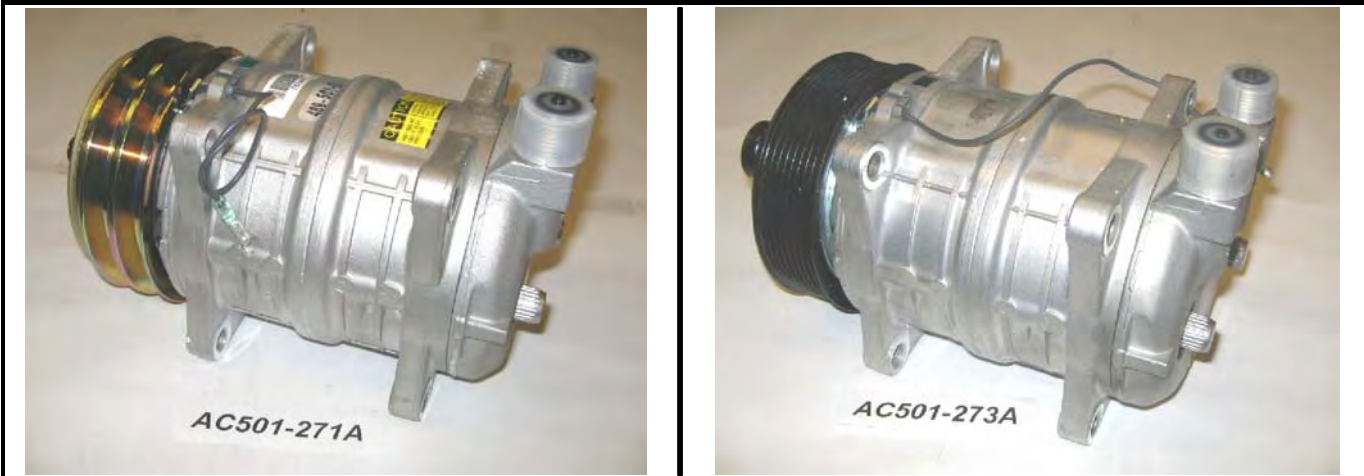
AC501-285



AC501-286

AC501-284	Clutch, Assembly, (2) "A" Groove, SD-7H15, 132 mm, 12VDC, (Includes Coil)
AC501-283	Clutch, Assembly, (8) Groove Poly-V, 119mm, SD-7H15/SD709, (Without Coil)
50-50077-00	Clutch Assembly, 12 VDC, (2) "A" Groove, 125 mm, W/Diode & Connector
50-50078-00	Coil Assembly, 12 VDC, 125 mm, SD715-SHD

4.8 SELTEC, TM-15, (R12)



AC501-270A	Compressor, TM-15, (2) "A" Gr., 12 VDC, Horizontal Tube-O
AC501-271A	Compressor, TM-15, (2) "A" Gr., 12 VDC, Vertical O-Ring, With Fittings
N/A	Compressor, TM-15, (6) Gr. Poly-V, 12 VDC, Vertical O-Ring, Direct Mount (AC501-272A)
AC501-273A	Compressor, TM-15, (8) Gr. Poly-V, 12 VDC, Vertical O-Ring, With Fittings

THE LETTER "A" OR "B" AT END OF THE PART # (EX. AC501-224A) MEANS THAT THE COMPRESSOR IS SUPPLIED WITH FITTINGS AND O-RINGS

4.9 SELTEC, TM-15, (R134a)



AC501-266A	Compressor, TM-15, (2) "A" Grv., 12 VDC, Horizontal Tube-O, With Fittings
AC501-266	Compressor, TM-15, (2) "A" Grv., 12 VDC, Horizontal Tube-O
AC501-267A	Compressor, TM-15, (2) "A" Grv., (125mm), 12 VDC, Vertical O-Ring, With Fittings



AC501-275A	Compressor, TM-15, (2) "A" Grv., 24 VDC, Vertical O-Ring, With Fittings
AC501-268A	Compressor, TM-15, (6) Grv. Poly-V, 12 VDC, Direct Mt., Vertical O-Ring, With Fittings
N/A	Compressor, TM-15, (7) Grv., Poly-V, 12 VDC, Vertical Tube-O, 90 Ftgs. (AC501-260A)
N/A	Compressor, TM-15, (7) Grv., Poly-V, 12 VDC, Vertical Tube-O, Str. Ftgs. (AC501-260B)



AC502-208A	Compressor, TM-15, (8) Grv. Poly-V, 12 VDC, Horizontal Tube-O W/Ftgs.
AC502-209A	Compressor, TM-15, (8) Grv. Poly-V, 12 VDC, Vertical Tube-O W/Ftgs

4.10 SELTEC, TM-15, (R134a)- Continued:



AC502-215A | Compressor, TM-15, (2) "A" Grv., 125 mm, 12 VDC, (Without Manifold - Without Fittings)

4.11 SELTEC, TM-16 & TM-16HS, (R134a)



AC502-210 | Compressor, TM-16, (8) Grv., Poly-V, 12 VDC, Vertical O-Ring, Monolithic Head



AC502-220 | Compressor, TM-16, (2) "A" Grv., 12 VDC, Vert.O-Ring, Monolithic Head (125MM)



18-00074-35 | Compressor, TM-16, (8) Grv., Poly-V, 12 VDC, Pad Fittings, Monolithic Head

18-00074-36 | Compressor, TM-16HS (2) "A" Gr., 12 VDC, Pad Fittings, Monolithic Head

4.12 SELTEC, TM-16 & TM-16HS, (R134a) - Continued:



18-00093-06	Compressor, TM-16HS 8) Grv., Poly-V, 24 VDC, 3/4" O-Ring & 7/8" O-Ring (V.O.R. Head)
18-00093-07	Compressor, TM-16HS (2) "A" Grv., 12 VDC, 3/4" O-Ring & 7/8" O-Ring (V.O.R. Head)
18-00093-09	Compressor, TM-16HS (8) Grv., Poly-V, 12 VDC, GM Pad Fittings (123 mm) Monolithic Head
18-00093-10	Compressor, TM-16HS (8) Grv., Poly-V, 24 VDC, GM Pad Fittings (123 mm) Monolithic Head
18-00093-11	Compressor, TM-16HS (2) "A" Grv., 12 VDC, GM Pad Fittings (125 mm) Monolithic Head
18-00093-12	Compressor, TM-16HS (2) "A" Grv., 24 VDC, GM Pad Fittings (125 mm) Monolithic Head



18-00093-13	Compressor, TM-16HS (8) Grv., Poly-V, 12 VDC, GM Pad Fittings/Pad Mount (123 mm)
18-00093-17	Compressor, TM-16HS (6) Grv., Poly-V, 12 VDC, Vertical "O"-Ring, 3/4"-7/8" Pad Fitting
108-1921SV	Compressor, TM-16, (8) Grv., Poly-V, 12 VDC, Vertical "O" Ring, With Oil POE (2) 22CC Cans

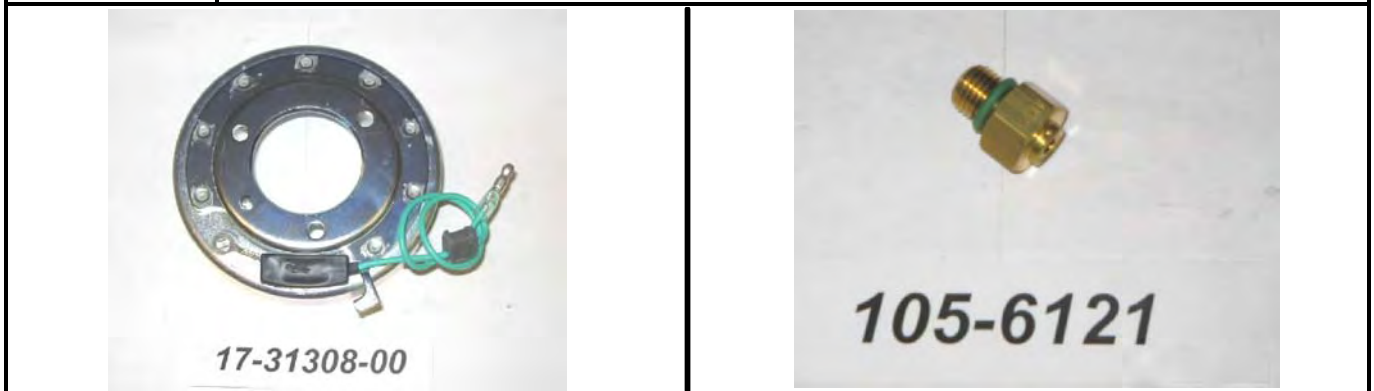
4.13 SELTEC, TM-15/16 PARTS (Replaces DK-15 Diesel Kiki Parts)



AC501-291	Clutch, Assembly, TM-15/16, (8) Gr. Poly-V, 12 VDC (Splined Shaft)
AC501-292	Clutch, Assembly, TM-15, (2) "A" Gr., (125mm) 12 VDC
50-60135-00	Clutch, Assembly, TM-15/16, (2) "A" Gr., (135mm) 12 VDC
50-60136-00	Clutch, Assembly, TM-15/16, (2) "A" Gr., (135mm) 24 VDC
50-60234-00	Clutch, Assembly, TM-15/16, (6) Grv. Poly-V, 12 VDC
50-60235-00	Clutch, Assembly, TM-15/16, (6) Grv. Poly-V, 24 VDC
42-60023-00	O-Rings For Bolt On Manifold, TM-08 Thru TM-16 (S/S to AC801-222)

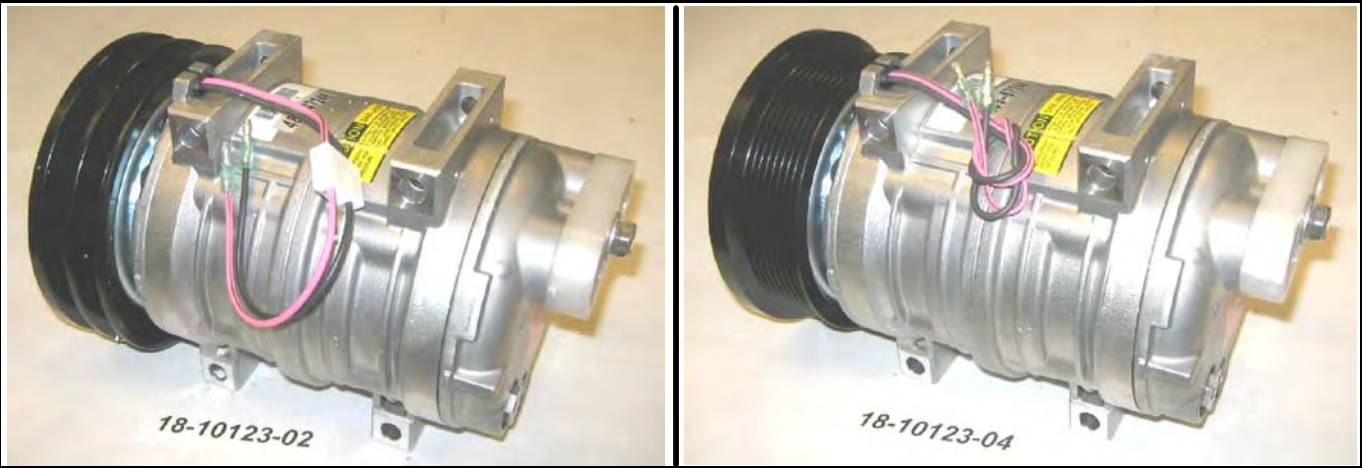


17-31252-00	Clutch, Variable, AB Groove, 12 VDC (159MM)
17-31254-00	Shaft Seal
17-31307-00	Coil, Clutch, 12 VDC, (TM-15/16) 4 Inch O.D.



17-31308-00	Coil, Clutch, 24 VDC, (TM-15/16)
105-6121	Valve, Pressure Relief, (500 PSI)

4.14 SELTEC, TM-21HX, (R134a)



18-10123-02	Compressor, TM-21-HX, (2) "A" Grv., 12 VDC, GM Pad Fitting (145MM), Direct Mount
18-10123-03	Compressor, TM-21-HX, (2) "A" Grv., 24 VDC, GM Pad Fitting (145MM), Direct Mount
18-10123-04	Compressor, TM-21-HX, (8) Grv., Poly-V, 12 VDC, GM Pad Fitting (137MM), Direct Mount
18-10123-05	Compressor, TM-21-HX, (8) Grv., Poly-V, 24 VDC, GM Pad Fitting (137MM), Direct Mount
18-10123-06	Compressor, TM-21-HX, 6 Grv., Poly-V, GM Pad Fitting (137MM) 12VDC, Direct Mount
18-10123-07	Compressor, TM-21-HX, 10 Grv., Poly-V, GM Pad Fitting (141MM) 12VDC, Direct Mount
18-10123-08	Compressor, TM-21-HX, 8 Grv., Poly-V, GM Pad Fitting (137MM) 12VDC, Direct Mount
18-10123-09	Compressor, TM-21-HX, (2) A Grv., GM Pad Fitting (145MM) 12VDC, Direct Mount
18-10123-10	Compressor, TM-21-HX, 10 Grv., Poly-V, GM Pad Fitting (135MM) 12VDC, Direct Mount
50-50074-00	Clutch, 12 VDC, Poly-V 8-Groove, 141 MM
50-50075-00	Clutch, 12 VDC, 2 A Groove, 145 MM
50-50076-00	Coil, Clutch, 12VDC
17-31309-00	Coil, Clutch, 24 VDC
17-31310-00	Shaft Seal Kit

4.15 SELTEC, TM-26, (R12)	
AC501-218	Compressor, TM-26, (2) "A" Gr., 12 VDC, Horiz. Flow - S/S to 17-31244-00 (TM-31)
AC501-218A	Compressor, TM-26, (2) "A" Gr., 12 VDC, Horiz. Flow - S/S to 17-31244-00 (TM-31)
AC501-240A	Compressor, TM-26, (2) "B" Gr., 12 VDC, Horiz. Flow - S/S to 17-31246-00 (TM-31)
AC501-217A	Compressor, TM-26, (2) "B" Gr., 24 VDC, Horiz. Flow - S/S to 17-31247-00 (TM-31)
THE LETTER "A" OR "B" AT END OF THE PART # (EX. AC501-224A) MEANS THAT THE COMPRESSOR IS SUPPLIED WITH FITTINGS AND O-RINGS	
4.16 SELTEC, TM-26, (R134a)	
AC501-277A	Compressor, TM-26, (2) "A" Gr., 12 VDC, Horizontal O-Ring (S/S To 17-31244-00)
AC501-277B	Compressor, TM-26, (2) "A" Gr., 12 VDC, Horizontal O-Ring, (Str. Ftgs.) (S/S To 17-31244-00)
N/A	Compressor, TM-26, (2) "A" Gr., 24 VDC, Horizontal Flow (AC501-279A)
N/A	Compressor, TM-26, (2) "B" Gr., 24 VDC, Horizontal Flow, (Str. Ftgs) (AC502-205A)
AC502-213A	Compressor, TM-26, (8) Gr. Poly-V, 12 VDC, Horizontal O-Ring (S/S To 17-31248-00)
N/A	Compressor, TM-26, (2) "B" Gr., 12 VDC, Horizontal Flow (AC502-217A)
THE LETTER "A" OR "B" AT END OF THE PART # (EX. AC501-224A) MEANS THAT THE COMPRESSOR IS SUPPLIED WITH FITTINGS AND O-RINGS AS A KIT	
4.17 SELTEC, TM-26 PARTS	
AC501-221	
N/A	Field Coil, Clutch, TM-26, 12 VDC (AC501-219)
N/A	Field Coil, Clutch, TM-26, 24 VDC (AC501-220)
N/A	Clutch, Assembly, TM-26, (6) Gr. Poly-V, 12 VDC (AC501-238)
AC501-221	Pulley, Clutch, (2) "A" Groove, With (Armature) Plate
N/A	Pulley, Clutch, (2) "B" Groove, With (Armature) Plate (AC501-222)
AC501-253	Shaft Seal,Kit, Carbon Type
N/A	Pipe Plug, Pressure Switch Ports, (1/8-28) (AC301-817)
AC051-1173	Clutch, Assembly, (8) Gr. Poly-V, With (Armature) Plate, (No Coil)

4.18 SELTEC, TM-31, (R134a)



17-31244-00	Compressor, TM-31, (2) "A" Gr., 12 VDC, Horizontal O-Ring, Direct Mount
17-31245-00	Compressor, TM-31, (2) "A" Gr., 24 VDC, Horizontal O-Ring, Direct Mount
17-31246-00	Compressor, TM-31, (2) "B" Gr., 12 VDC, Horizontal O-Ring, Direct Mount
N/A	Compressor, TM-31, (2) "B" Gr., 24 VDC, Horizontal O-Ring (17-31247-00), Direct Mount
17-31248-00	Compressor, TM-31, (8) Gr. Poly-V, 12 VDC, Horizontal O-Ring, Direct Mount
17-31249-00	Compressor, TM-31, (8) Gr. Poly-V, 24 VDC, Horizontal O-Ring, Direct Mount

4.19 SELTEC, TM-31 PARTS

17-31253-00	Clutch Assembly, TM-31, (2) "A" Gr., 158mm, 5 Eye, 12 VDC
17-31260-00	Clutch Assembly, TM-31, (2) "B" Gr., 158mm, 5 Eye, 12 VDC,



N/A	Seal, Shaft, TM-31 (17-31261-00)
17-31262-00	Clutch Assembly, TM-31, (8) Gr. Poly-V, 158mm, 5 Eye, 12 VDC
17-31263-00	Clutch Assembly, TM-31, (8) Gr. Poly-V, 158mm, 5 Eye, 24 VDC
N/A	Coil, Clutch, TM-31, 12 VDC (17-31264-00)
N/A	Coil, Clutch, TM-31, 24 VDC (17-31265-00)
N/A	Clutch Assembly, TM-31, (2) "A" Gr., 158mm, 5 Eye, 24 VDC (17-31266-00)
17-31267-00	Clutch Assembly, TM-31, (2) "B" Gr., 158mm, 5 Eye, 24 VDC

4.20 YORK COMPRESSORS & PARTS



AC501-201A	Compressor, York, EF-210, (2) "A" Gr., 12 VDC, Horizontal Flow
AC501-241	Compressor, York, SC-206RM, (2) "A" Gr., 12 VDC, Horizontal Flow
AC501-242	Compressor, York, SC-206RM, (6) Gr. Poly-V, 12 VDC, Horizontal Flow
17-31200-01	Compressor, 10.3 CID, (Less Service Valves) Can Be Used For Standby Or Road. Setup For Use With Flanged Valves (210)
17-31200-02	Compressor, 8.7 CID, (Less Service Valves) Can Be Used For Road Only Setup For Use With Roto-Lock Valves (208)
17-31200-03	Compressor, 6.11 CID, (Less Service Valves) Can Be Used For Road Only Setup For Use With Roto-Lock Valves (210)
18-60002-03SV	Compressor, 10.3 CID, (Less Service Valves) Can Be Used For Standby Or Road. Setup For Use With Roto-Lock Valves (210)
50-50002-00	Clutch Assembly, (7 Inch OD Pulley) TRC, TRE, TRS, (Road Application Only)

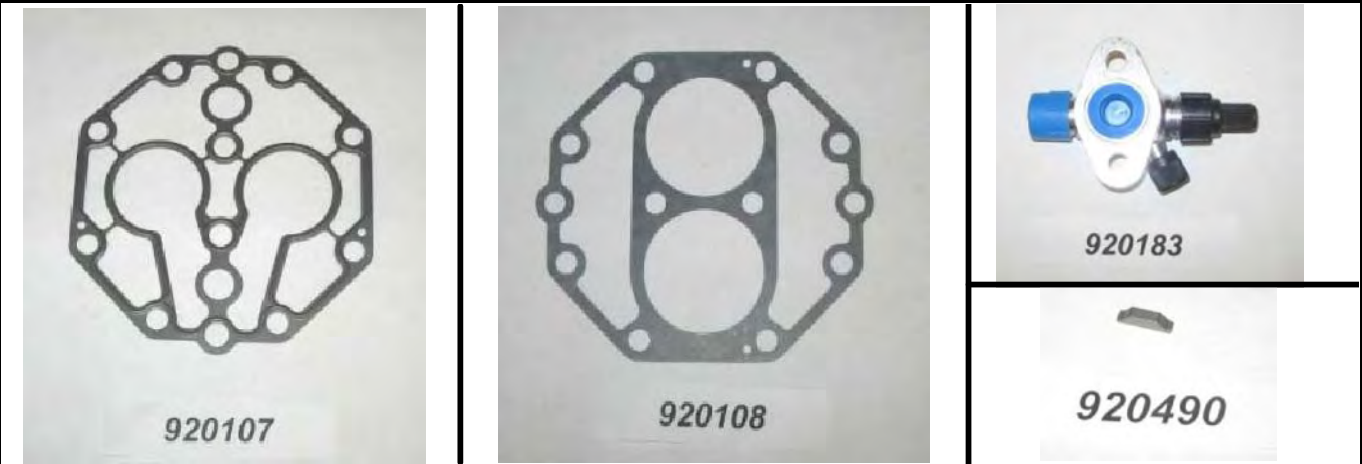
THE LETTER "A" OR "B" AT END OF THE PART # (EX. AC501-224A) MEANS THAT THE COMPRESSOR IS SUPPLIED WITH FITTINGS AND O-RINGS

4.21 YORK COMPRESSOR PARTS



50-50001-00	Clutch Assembly, (6 Inch OD Pulley)
17-31207-00	Shaft Seal Assembly, EF-210, SC-206, SC-209, SC-210
AC501-209	Gasket, Valve Plate, EF-210
17-31205-00	Teflon Ring, (For Use With Rotolock Valves)
17-21003-00	Gasket, Service Valves, (For Use With Old Style Flanged Valves)
42-01159-00	O-Rings, (For Use With New Style Flanged Valves)
17-31202-00	Suction Service Valve (Rotolock)
920088	Suction Service Valve, (Flanged)
17-31203-00	Discharge Service Valve, (Rotolock)

4.21 YORK COMPRESSOR PARTS - Continued:



920183	Discharge Service Valve, (Flanged)
920107	Cylinder Head Gasket
920108	Valve Plate Gasket
920490	Key, Shaft

4.22 ALMA, A-6, (R12)

N/A	Compressor, A-6, (1) "A" Gr., 12 VDC (AC501-233A)
N/A	Compressor, A-6, (2) "A" Gr., 12 VDC (AC501-244A)
N/A	Compressor, A-6, (2) "A" Gr., 24 VDC (AC501-254A)
N/A	Compressor, A-6, (1) "B" Gr., 24 VDC (AC501-264A)

THE LETTER "A" OR "B" AT END OF THE PART # (EX. AC501-224A) MEANS THAT THE COMPRESSOR IS SUPPLIED WITH FITTINGS AND O-RINGS

4.23 ALMA, A-6, (R134a)



AC502-203	Compressor, A-6, (2) "A" Gr., 12 VDC
AC502-204	Compressor, A-6, (2) "A" Gr., 24 VDC
AC502-216	Compressor, A-6, (1) "A" Gr., 12 VDC
18-00073-00	Compressor, A-6, 6 Groove Poly-V, 12 VDC
18-00073-01	Compressor, A-6, 8 Groove Poly-V, 12 VDC

4.24 ALMA, A-6 PARTS



50-50061-00	6 Groove Poly-V Pulley & Bearing, 5.5 Inch O.D.
50-50062-00	Clutch Armature (Driver) & Key
50-50063-00	12 Volt Coil
50-50066-00	5 Inch Pulley & Bearing, With 1 "A" Groove
50-50067-00	24 Volt Coil
50-50069-00	Pulley, Clutch, 8 Groov Poly-V, 4.81 Inch OD, W/Bearings and Retainer



50-50070-00	Clutch Assembly, 8 Groove Poly-V, 12 VDC, 4.81 Inch O.D.
50-50072-00	Clutch Assembly, 6 Groove Poly-V, 12 VDC, 5.5 Inch O.D.

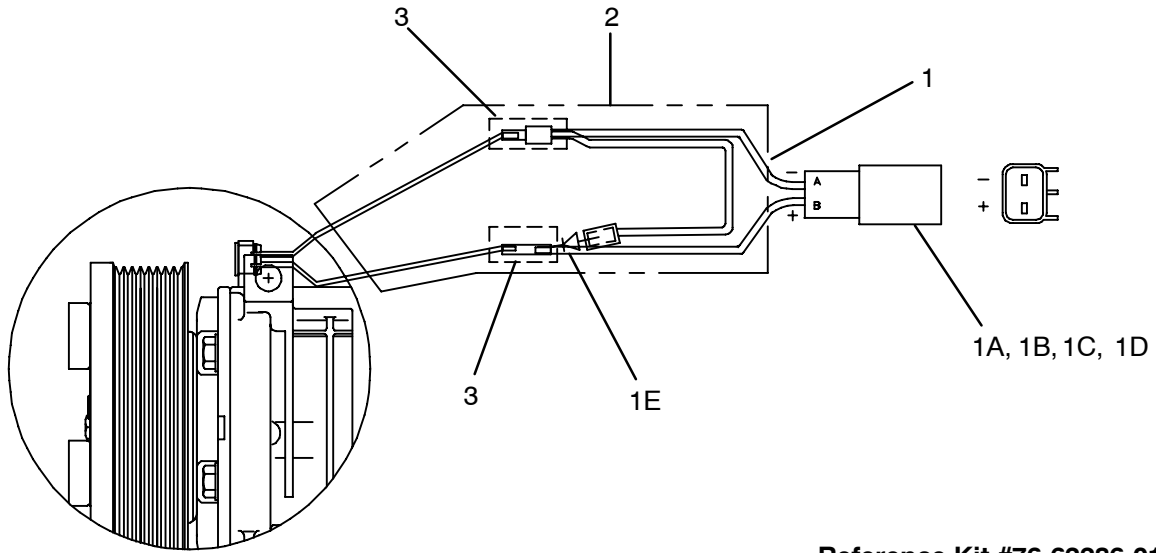
4.25 FORD, (R12)

N/A	Compressor, Ford, FS-6 Take-Off, 12 VDC (AC501-235)
N/A	Compressor, Ford, 5.9L., 6BT, (8) Gr. Poly-V, 12 VDC, With Fittings (AC502-214A)
N/A	Clutch, (8) Gr., Poly-V, Ford, 5.9L., 6BT (AC502-212)

4.26 OIL - COMPRESSOR

46-50004-00	ISO 150 PAG For Alma Products A6 Compressors Using R-134a (250CC Metal Can)
46-50006-00	ISO 50 PAG For Seltec TM-15, 16, 21 & 31 and Sanden SD7 (1Quart Metal Can)
46-50006-01	ISO 50 PAG For Seltec TM-15, 16, 21 & 31 and Sanden SD7 (1Gallon Metal Can)
46-50008-04	ISO Grade 68, POE W/R134a (8 OZ. Metal Can)
46-50008-05	ISO Grade 68, POE W/R134a (Pack of 12 - 8 OZ. Metal Cans)

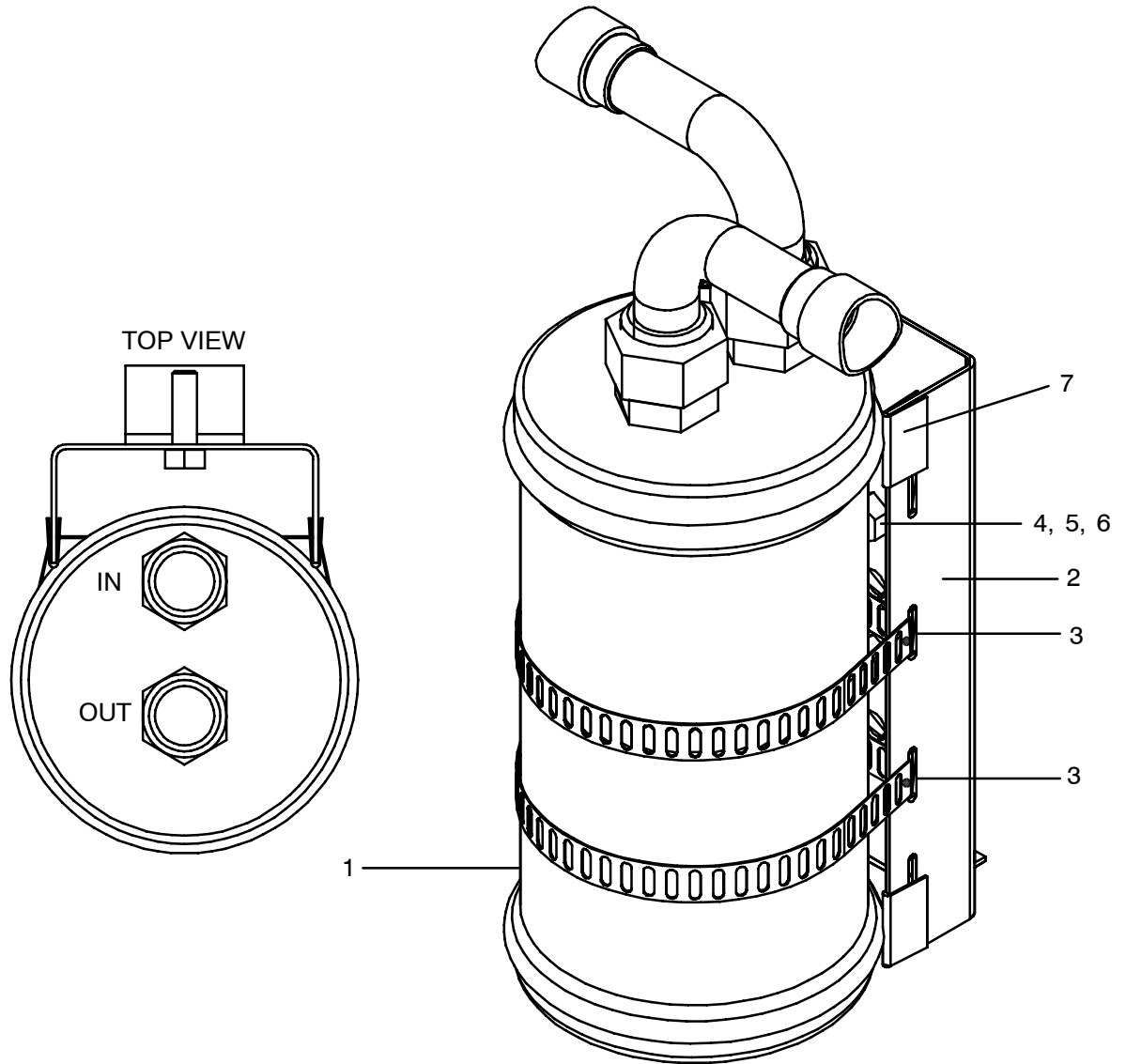
4.27 COMPRESSOR PLUG WITH DIODE UP-GRADE



Reference Kit #76-62286-01

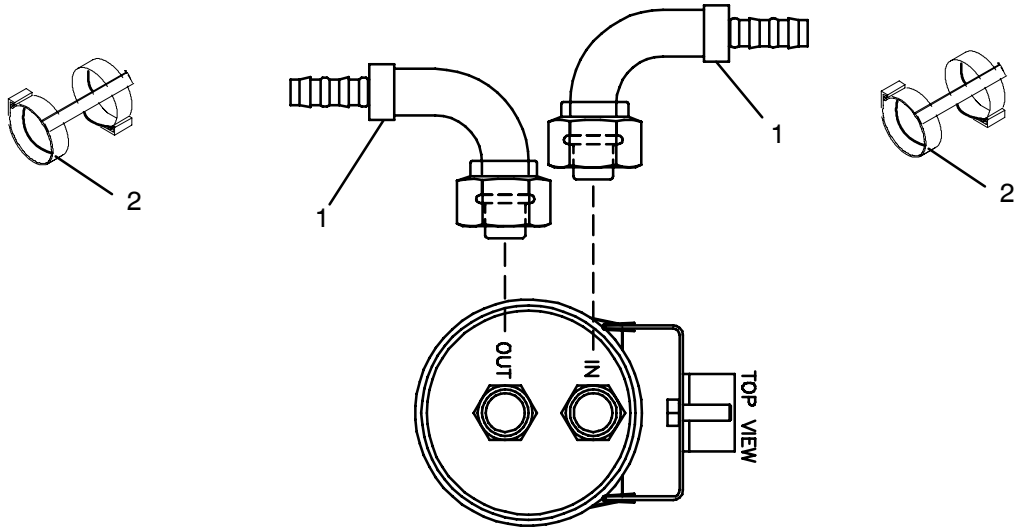
Item	Part Number	Description	Qty
1	22-62255-00	Harness, Compressor Plug, With Diode - Includes:	2
1A	22-50078-01	...Connector, Male, 2 Pin, Black	1
1B	22-50078-47B	...Terminal, Male, (14-16 AWG)	2
1C	22-02394-02	...Seal, Cable, Green	2
1D	22-50078-01A	...Lock, Secondary	1
1E	AC201-600	...Diode, In-Line, 6 Amps	1
2	58-00848-00	Tubing, Split, Corrugated, 1/2 Inch ID x 25.00 Feet Long	1
3	22-01327-00	Tubing, Heat Shrink, 1/4 Inch x 6.00 Inches Long	1
N/S	98-62903	Installation Diagram, Compressor Plug Up-Grade	1

4.28 SUCTION LINE ACCUMULATOR KITS - COMMON PARTS (98-62790)



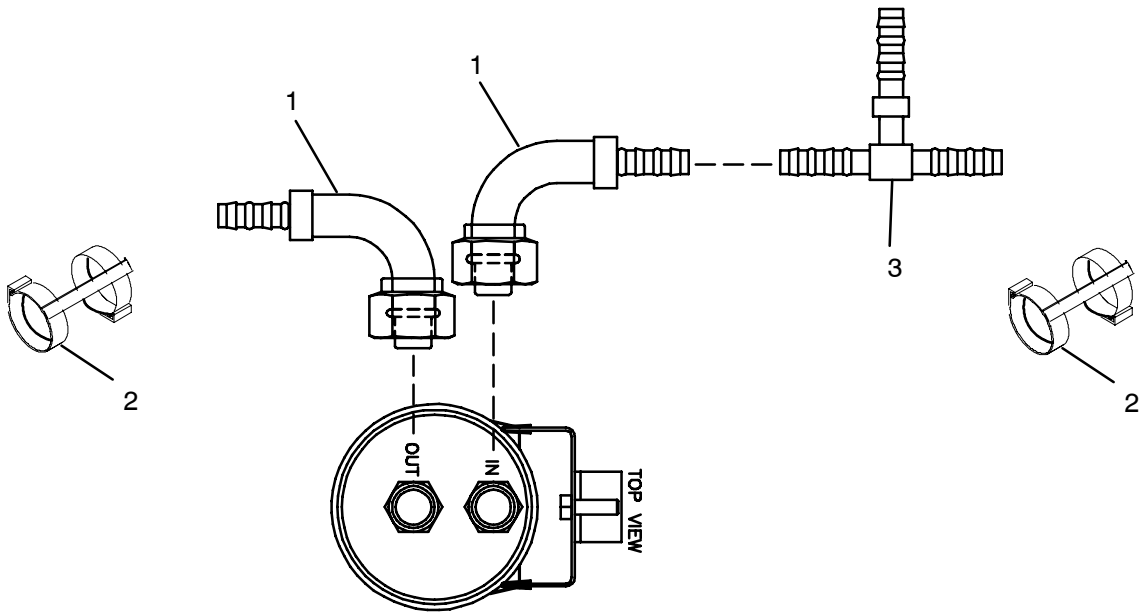
Item	Part Number	Description	Qty
1	65-62004-00	Accumulator, Suction Line	1
2	68-63588-00	Bracket, Accumulator, Painted	1
3	44-00045-30	Clamp, Accumulator	2
4	34-00615-08	Screw, Cap, Hex Head, 5/16-18 X 1.00 Inch Long, Grade 8	2
5	34-00588-12	Washer, PLain, 5/16	4
6	34-00361-12	Nut, Self Locking, 5/16-18	2
7	AC801-412F25	Gasket, Trimlock, Black (25 Ft. Roll)	1

4.29 SUCTION LINE ACCUMULATOR KIT - SINGLE EVAPORATOR #12 HOSE (76-62258-00)



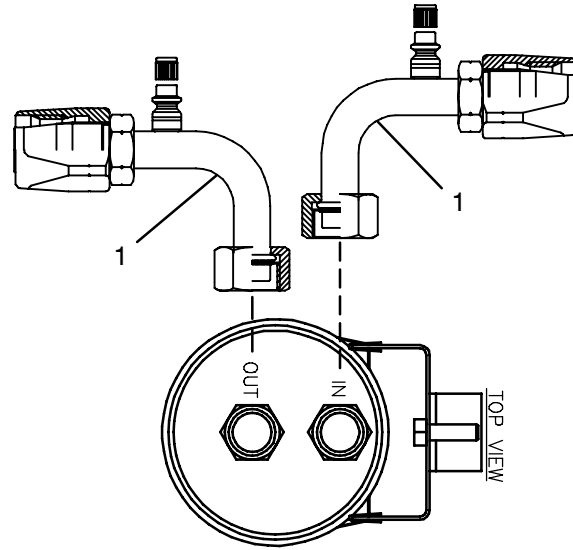
Item	Part Number	Description	Qty
1	40-60061-05	Fitting, Hose, 90 Degree, #12	2
2	34-60019-05	Clamp, Hose, #12	2

4.30 SUCTION LINE ACCUMULATOR KIT - DUAL EVAPORATOR #12 HOSE (76-62258-01)



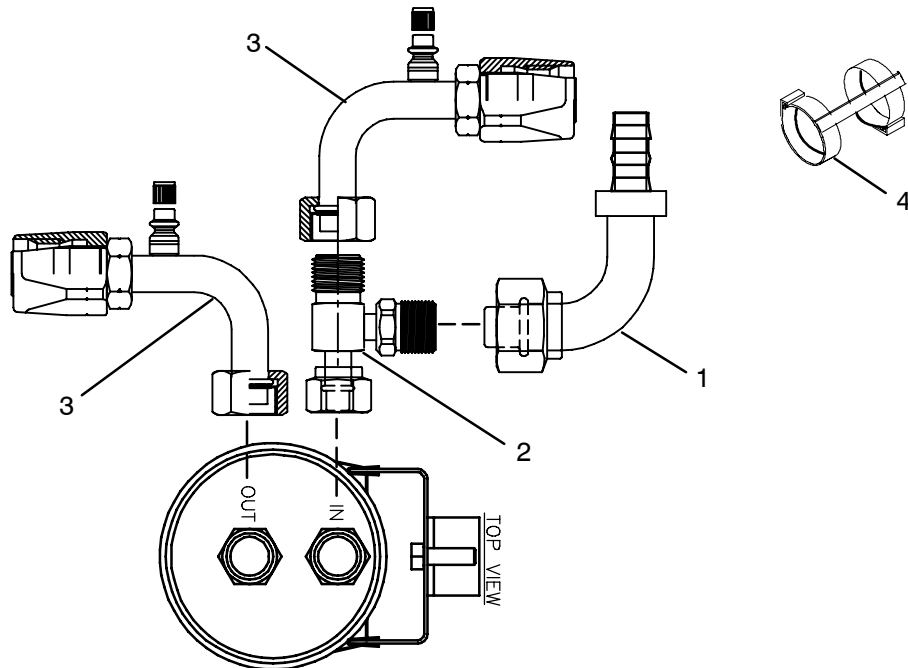
Item	Part Number	Description	Qty
1	40-60061-05	Fitting, Hose, 90 Degree, #12	2
2	34-60019-05	Clamp, Hose, #12	5
3	40-62012-01	Fitting, Tee, Hose, #12	1

4.31 SUCTION LINE ACCUMULATOR KIT - SINGLE EVAPORATOR #16 & #12 HOSE (76-62258-02)



Item	Part Number	Description	Qty
1	40-62055-00	Fitting, Hose, 90 Degree, #12 F.O.R. X #16 Hose, W/R-134a Low Side Access	1

4.32 SUCTION LINE ACCUMULATOR KIT - DUAL EVAPORATOR #16 & #12 HOSE (76-62258-03)



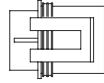
Item	Part Number	Description	Qty
1	40-60061-05	Fitting, Hose, 90 Degree, #12	1
2	40-62019-02	Fitting, Tee, #12 F.O.R. X #12 M.I.O. X #12 M.I.O.	1
3	40-62055-00	Fitting, Hose, 90 Degree, #12 F.O.R. X #16 Hose, W/R-134a Low Side Access	2
4	34-60019-05	Clamp, Hose, #12	1

SECTION 5 - ELECTRICAL

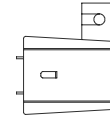
5.1 FUSE AND FUSE HOLDERS



AC201-114



AC201-125

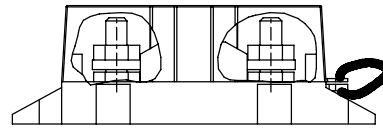


AC201-124

Part Number	Description
AC201-104	Fuse, 3AG, 2AMP, 250 VDC
AC201-115	Fuse, 20 AMP, Type AGC, 32 VDC, (Use With AC201-114)
AC201-116	Fuse, 30 AMP, Type AGC, 32 VDC, (Use With AC201-114)
22-02336-06	Fuse, 15 AMP, ATC, (Use With AC201-124)
22-02336-00	Fuse, 30 AMP, ATC, (Use With AC201-124)
22-50078-23	Fuse Cover, (Use With AC201-125)
22-50078-22	Fuse Holder, ATC, (Use With AC201-124)
AC201-103	Fuse Holder, Panel Mount
AC201-114	Fuse Holder, Inline,Crimp, (30 AMP Maximum)
22-50078-49L	Terminal, Fuse, (Use With AC201-125)

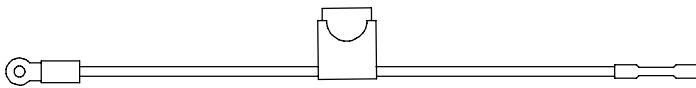


22-02336-15 or 31

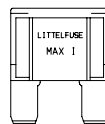


22-01800-00

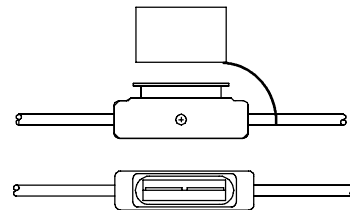
22-62119-00	Assembly, Fuse Holder, 10 AMP
22-62119-01	Assembly, Fuse Holder, 15 AMP
22-62119-02	Assembly, Fuse Holder, 20 AMP
22-02336-04	Fuse, 10 AMP
22-02336-06	Fuse, 14 AMP
22-02336-01	Fuse, 20 AMP
22-62110-00	Fuse Holder, With Cover, (In-Line Maxi Type)
22-01800-00	Fuse Holder, 100/150 AMP, With Cover
22-02336-15	Fuse, 150 AMP
22-02336-31	Fuse, 100 AMP
22-02336-17	Fuse, 60 AMP



22-62119

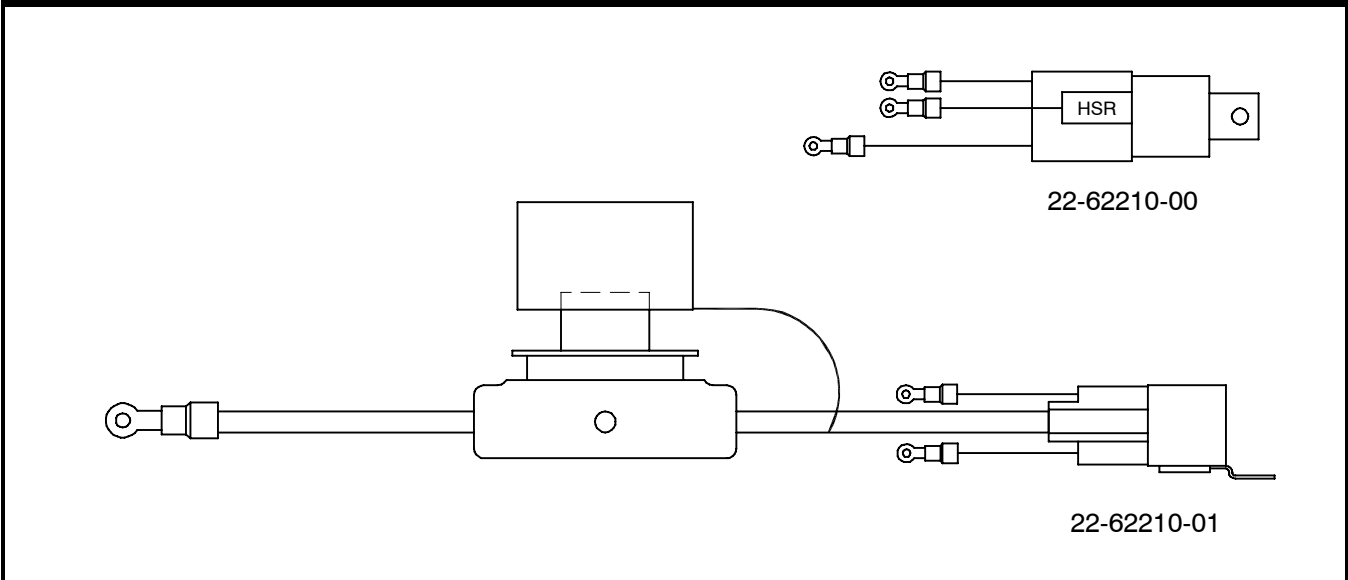


22-02336-17



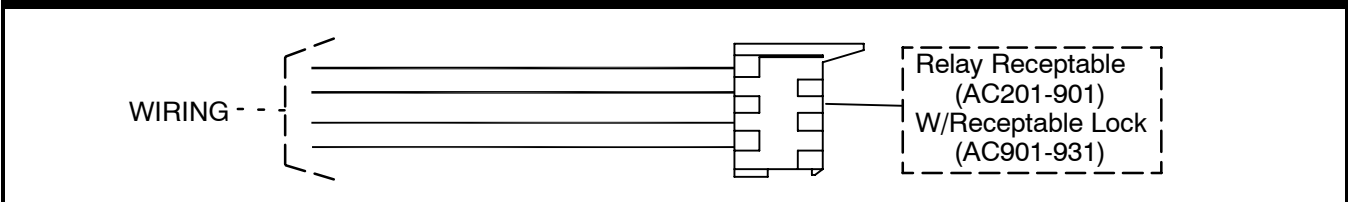
22-62110-00

5.2 RELAY ASSEMBLIES



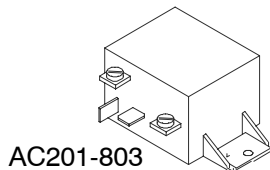
Part Number	Description
22-62210-00	Relay/Connector Assembly, With Wiring - Includes:
10-00328-00	...Relay, 70 Amp (12VDC)
22-62210-02	...Connector/Wiring Assembly - Includes:
22-50078-18Connector, Relay
AC901-513	...Label, HSR (High Speed Relay)
22-62210-01	Relay/Connector Assembly, With Wiring & Fuse- Includes:
10-00328-00	...Relay, 70 Amp (12VDC)
22-62210-03	...Connector/Wiring/Fuse Holder Assembly - Includes:
22-50078-18Connector, Relay
22-62110-00Fuse Holder, With Cover
22-02336-17	...Fuse, 60 Amp
AC901-513	...Label, HSR (High Speed Relay)

5.3 CONNECTOR ASSEMBLIES

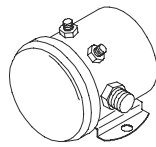


Part Number	Description
AC201-922	Connector Assembly, High Speed Relay
22-62238-00	Connector Assembly, Medium Speed Relay
22-62238-01	Connector Assembly, Low Speed Relay
22-62238-02	Connector Assembly, Clutch Relay
22-62238-03	Connector Assembly, Condenser Relay

5.4 RELAYS - SOLENOIDS



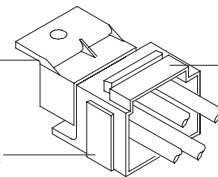
AC201-803



AC201-800

10-00286-00
RELAY

AC201-901
CONNECTOR

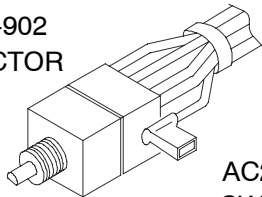


AC201-931
LOCK

Part Number	Description
AC201-800	Contactora, Solenoid, 12 VDC, 70 AMP (With Nuts & Washers)
AC201-801	Relay, 5 Prong, 12 VDC, 30 AMP
AC201-803	Contactora, Solenoid, 24 VDC, 50 AMP
AC201-804	Relay, 5 Prong, 24 VDC, 30 AMP
AC201-805	Solenoid, Choke, 12VDC
AC201-812	Contactora, Relay, 12 VDC, 20/30 AMP
10-00286-00	Relay, 4 Prong, 12 VDC, 40 AMP, With Bracket (Siemens)
10-00286-03	Relay, 5 Prong, 12 VDC, 30 AMP, With Bracket (Siemens or Bosch)
10-00286-08	Relay, 5 Prong, 24 VDC, 20 AMP, With Bracket (Bosch)
10-00286-09	Relay, 5 Prong, 24 VDC, 40 AMP, No Bracket (Siemens)
10-00286-12	Relay, 5 Prong, 24 VDC, 40 AMP, No Bracket (Bosch)
10-00286-14	Relay, 5 Prong, 12 VDC, 50 AMP, With Bracket (Bosch)
10-00286-15	Relay, 5 Prong, 12 VDC, 40 AMP, With Bracket (Tyco)

5.5 SWITCHES

AC201-902
CONNECTOR



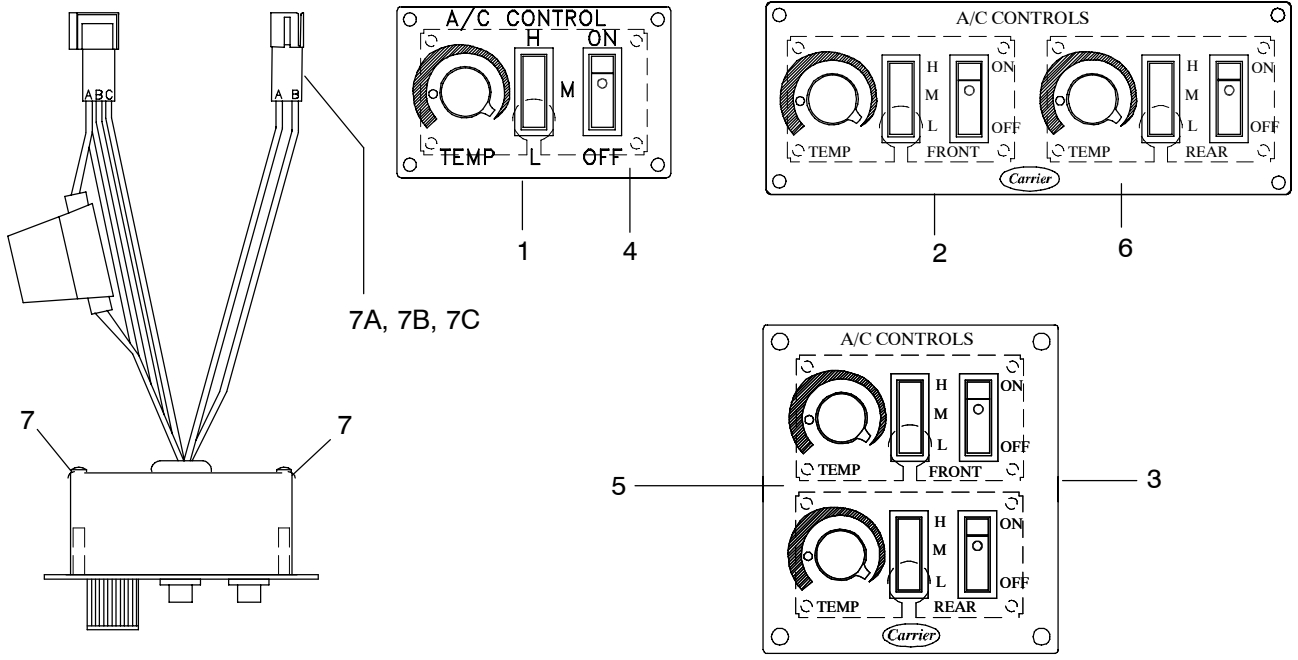
AC201-305
SWITCH

NOTE:

USE AC201-902 CONNECTOR
WITH AC201-305

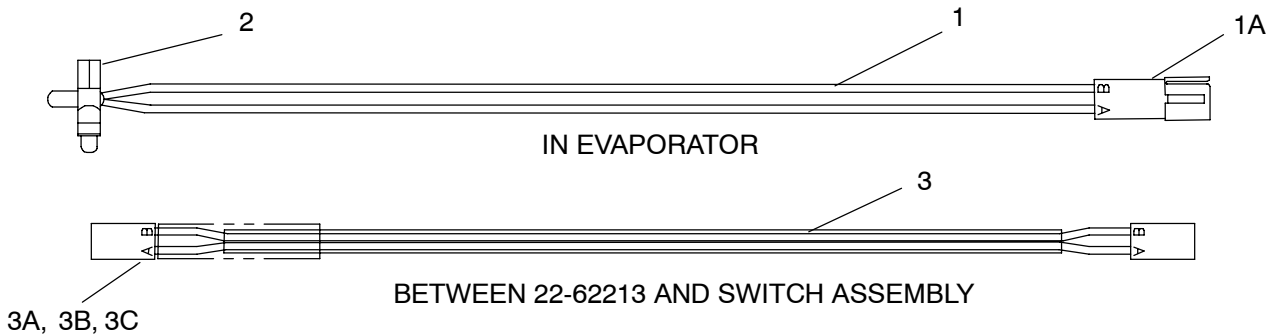
Part Number	Description
AC201-301	Switch, Toggle, DPDT, (ON-OFF-ON)
AC201-302	Switch, Toggle, SPDT, (ON-OFF-MOM)
AC201-303	Switch, Toggle, SPST, (OFF-MOM)
AC201-304	Switch, Toggle, SPST, (ON-OFF)
AC201-306	Switch, Toggle, SPDT, (MOM-OFF-MOM)
AC201-310	Switch, Toggle, DPDT, (ON-OFF)
AC201-305	Switch, Rotary, Heavy Duty, (Double Nuts)
AC201-315	Switch, Starter Lockout, (DM Series)
AC201-308	Nut, Hex, High Shoulder

5.6 SWITCH ASSEMBLIES - TEMPCON



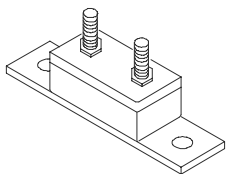
Item	Part Number	Description	Qty
1	22-62212-00	Switch Assembly, Tempcon, (Single)	1
2	22-62212-01	Switch Assembly, Tempcon, (Dual, Horizontal)	1
3	22-62212-02	Switch Assembly, Tempcon, (Dual, Vertical)	1
4	68-63540-00	Plate, Face (4 x 2.50)	1
5	68-63644-00	Plate, Face (4.38 x 4.88)	1
6	68-63644-01	Plate, Face (7.50 x 2.75)	1
7	68-63547-00	Cover, Back	2
7A	22-50099-33	Connector	1
7B	22-50099-33A	Terminal	1
7C	22-50099-33B	'TPA'	1

5.7 SENSOR ASSEMBLY (KITS)



Part Number	Description	Quantity
N/S	22-62217-00 Kit, Sensor Control, Temcon - Includes:	1
1	22-62213-00 ...Sensor Assembly, Temcon (13 Inch)	1
1A	22-50099-33 ...Connector	1
N/S	68-63559-00 ...Bracket, Sensor	1
N/S	58-00065-48 ...Grommet, .25 ID x .44 OD	1
N/S	98-62677-00 ...Installation Drawing	1
N/S	AC701-300 ...Wire Tie, 6 Inch white	1
1	22-62213-01 Sensor Assembly, Temcon (46 Inch)	1
2	58-62155-00 Clip, Standoff Lock	1
3	22-62214-30 Cable Assembly, Shielded, Temcon, Florida Control (360 Inches)	1
	22-62214-58 Cable Assembly, Shielded, Temcon, Florida Control (696 Inches)	1
	22-62214-68 Cable Assembly, Shielded, Temcon, Florida Control (816 Inches)	1
3A	22-50099-34 Connector	1
3B	22-50099-34B Terminal	1
3C	22-50099-34C 'TPA'	1

5.8 CIRCUIT BREAKER



CIRCUIT BREAKER COLOR CODE

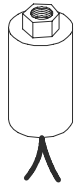
20 AMP - YELLOW DOT
 30 AMP - GREEN DOT
 40 AMP - RED DOT
 50 AMP - WHITE DOT

CIRCUIT BREAKER IDENTIFICATION

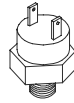
	TYPE III - MANUAL RESET - RESETS WHEN EXTERNAL BUTTON IS PUSHED.
	TYPE II - RESETS WHEN OVERCURRENT IS CORRECTED OR REMOVED.
	TYPE I - AUTOMATIC RESET CYCLES CONTINUOUSLY.

Part Number	Description
AC201-109	Circuit Breaker, 0.5 AMP, Manual Reset
AC201-110	Circuit Breaker, 6 AMP, Manual Reset
AC201-121	Circuit Breaker, 20 Amp, Type I
AC201-100	Circuit Breaker, 20 Amp, Type II
AC201-105	Circuit Breaker, 20 AMP, Manual Reset, Type III
AC201-113	Circuit Breaker, 20 Amp, Thermal Reset, (Panel Mount)
AC201-101	Circuit Breaker, 30 Amp, Type II
AC201-106	Circuit Breaker, 30 AMP, Manual Reset, Type III
AC201-119	Circuit Breaker, 40 Amp, Type I
AC201-112	Circuit Breaker, 40 AMP, Manual Reset, Type III
AC201-102	Circuit Breaker, 50 Amp, Type II
AC201-107	Circuit Breaker, 50 AMP, Manual Reset, Type III
AC201-122	Circuit Breaker, 50 Amp, Heavy Duty

5.9 PRESSURE SWITCHES



AC201-400



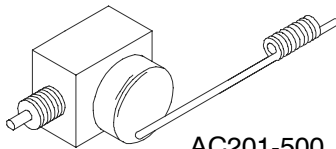
AC201-402



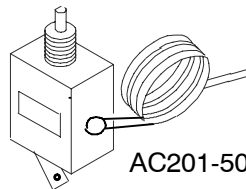
AC201-404

Part Number	Description
AC201-400	Switch, High, Female, 350-250 PSI, (GEN-I & GEN-II)
AC201-408	Switch, High, Female, 400-300 PSI
AC201-414	Switch, High, Female, 400-300 PSI, (GEN III & GEN 4)
AC201-413	Switch, High, Female, 425-325 PSI
AC201-401	Switch, Low, Female, Female O-Ring, GEN I
AC201-404	Switch, Low, Female, 10-25 PSI, (GEN I & GEN II)
AC201-412	Switch, Low, Female, 10-25 PSI, (GEN III & GEN 4)
AC201-409	Switch, Low, Female, 40-80 PSI
AC201-410	Switch, Low, Female, 60 PSI
AC201-402	Switch, Low, Male, (Receiver Drier)
AC201-403	Switch, Oil Pressure, (DM Series)

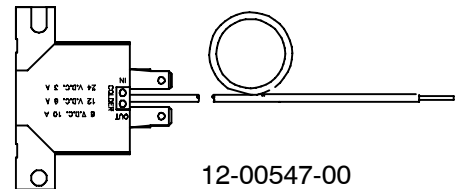
5.10 THERMOSTATS



AC201-500



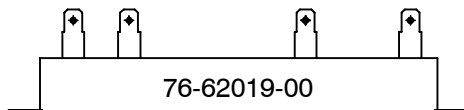
AC201-501



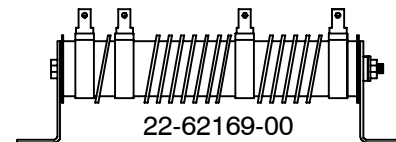
12-00547-00

AC201-500	Thermostat, Air, (With 2 Nuts)
AC201-501	Thermostat, Coil, Insert, (With 2 Nuts)
22-62007-00	Temperature Selector Assembly
12-00547-00	Thermostat, Non-Adjustable, Gen 5

5.11 DIODES-LIGHTS-RESISTORS



76-62019-00

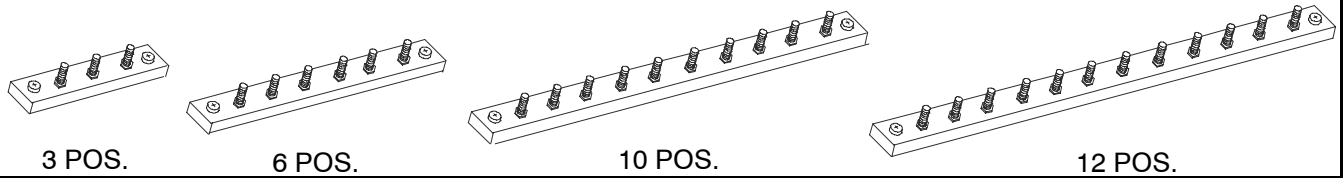


22-62169-00

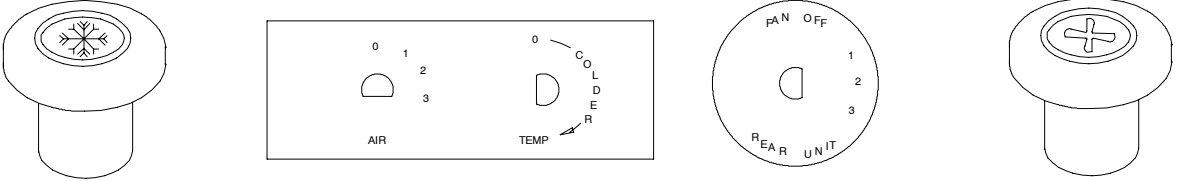
Part Number	Description
AC201-606	Buzzer, Mini, 12VDC
AC201-600	Diode, Inline, 6 AMP
AC201-603	Bulb, Lamp
AC201-602	Lampholder
AC201-604	Lens, Red
AC201-601	Light, LED, Red, 12 VDC
AC201-616	Light, LED, Red, 24 VDC
AC201-605	Light, Service
AC201-609	Resistor, 1.6 OHM, 3 Post
AC201-610	Resistor, 2.5 OHM, (For AC401-200 Blower Assembly)
AC201-623	Resistor, 1 OHM, With Bracket, (For AC401-205 Blower Assembly)
76-62019-00	Resistor, Kit, 1.8 OHM, 4 Post, GEN 4 Evaporators, (AC201-611)
22-62169-00	Resistor, 0.815 OHM, 220 Watt, 4 Post, Gen V Evaporators, (3 Speed)

5.12 GAUGES-SENDERS	
AC201-700	Hourmeter, Round
AC201-701	Voltmeter, Round
AC201-702	Gauge, Oil Pressure, Round (Cummins)
AC201-708	Gauge, Oil Pressure, Round, (Florida Specs.-Cummins)
AC201-709	Gauge, Oil Pressure, Round, (Kubota)
AC201-706	Gauge, Temperature Switch, Round, (Diesel Engine) (Includes: 3/8 Inch NPT Adapter)
AC201-707	Gauge, Temperature Switch, Round, (Gas Engine)
AC201-703	Sender, Oil Pressure, (Florida Specs.-Cummins)

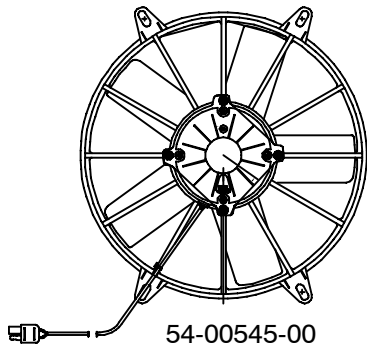
5.13 TERMINAL BOARDS



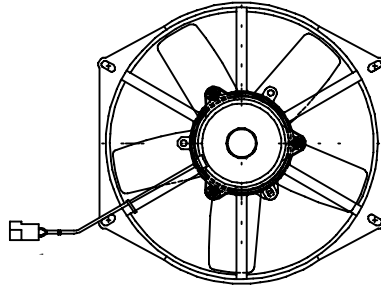
22-01334-00	Terminal Board, 3 Position, 300 VDC, 30 Amp
22-01334-01	Terminal Board, 4 Position, 300 VDC, 30 Amp
22-01334-02	Terminal Board, 5 Position, 300 VDC, 30 Amp
22-01334-03	Terminal Board, 6 Position, 300 VDC, 30 Amp
22-01334-04	Terminal Board, 7 Position, 300 VDC, 30 Amp
22-01334-05	Terminal Board, 8 Position, 300 VDC, 30 Amp
22-01334-06	Terminal Board, 9 Position, 300 VDC, 30 Amp
22-01334-07	Terminal Board, 10 Position, 300 VDC, 30 Amp
22-01334-08	Terminal Board, 11 Position, 300 VDC, 30 Amp
22-01334-09	Terminal Board, 12 Position, 300 VDC, 30 Amp
22-01334-10	Terminal Board, 13 Position, 300 VDC, 30 Amp
22-01334-11	Terminal Board, 14 Position, 300 VDC, 30 Amp
22-01334-12	Terminal Board, 15 Position, 300 VDC, 30 Amp
22-01334-13	Terminal Board, 16 Position, 300 VDC, 30 Amp

5.14 HARNESS, ELECTRICAL	
AC201-904	Harness, With Connectors, EM-14, (GEN I)
AC201-905	Harness, Condenser Motor
AC201-910	Harness, Condenser, Black Jacket, (Gen IV)
AC201-921	Harness, Evaporator, Gray X Ft.
AC201-930	Harness, Evaporator, Blue X Ft.
22-62101-00	Cable, Evaporator, Gen 5 - GSA, Orange Jacket
22-62102-00	Cable, Evaporator, Gen 5 - GSA, White Jacket, (EM-3)
22-62103-00	Cable, Condenser, Gen 5 - GSA, Red Jacket
5.15 CONNECTORS, ELECTRICAL	
AC201-901	Connector, Relay Socket, (Use With AC201-931)
AC201-902	Harness With Connector, Fan Speed Switch, (Use With AC201-305)
AC201-928	Stud, Feed-Thru, (DM Series)
AC201-931	Lock, Packard, (Use With AC201-901)
10-50052-00	Block, Junction, Stud-Type, 3/8-16, Black
10-50052-01	Block, Junction, Stud-Type, 3/8-16, Red
5.16 TIES, CABLE	
AC701-300	Tie, Cable, 6 inch, White
AC701-301	Tie, Cable, 15 inch, White
AC701-303	Tie, Cable, Mount
5.17 KNOBS AND SWITCHPLATES	
	
AC202-303	
AC202-301	
AC202-302	
AC202-300	
Part Number	Description
AC202-305	Cover, Dressing Nut
AC202-300	Knob, Fan, Rubber
AC202-304	Knob, Pointer, Black, With White Line, (EM-21)
AC202-303	Knob, Snowflake, Rubber
AC202-307	Nut, Hex, Fan Speed Switch
AC202-306	Guard, Switch
AC202-301	Plate, Switch, Rectangular
AC202-302	Plate, Switch, Round, (Rear Fans)
58-62152-00	Plate, Switch, Thermostat
5.18 READING LIGHTS	
22-62054-00	Reading Light, Dual Bulb, 12 VDC, (Gray)

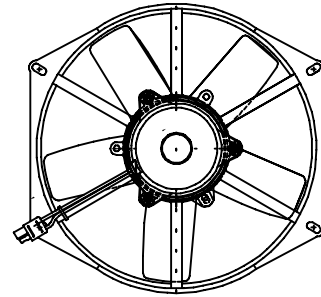
5.19 FAN BLADES AND FAN ASSEMBLIES



54-00545-00

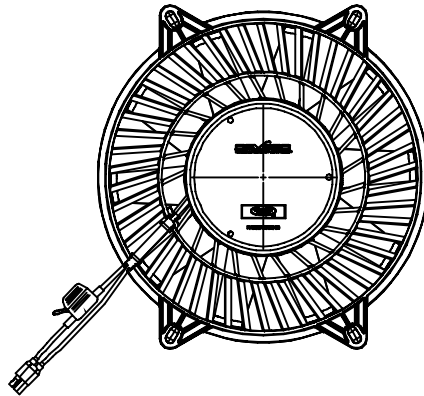
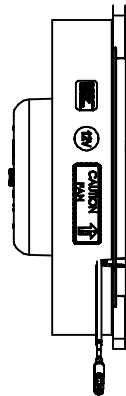


54-00545-01



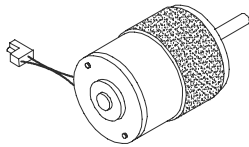
54-00545-02

AC401-100	Blade, Fan, 10 inch, 35, Condenser
N/A	Blade, Fan, 14 inch, Plastic, (Power Pak DM-1 & DM-2) (AC401-102)
AC401-110	Assembly, Fan, Condenser, 11 inch, 12 VDC, (GEN III And GEN 4) Includes:
54-50080-00Motor, Fan, 12 VDC
44-50024-00Clip, Fan Blade
AC401-112	Blade, Fan, Condenser, (CM-8 And CM-13)
CM205-197	Assembly, Fan, Condenser, 11 inch, 24 VDC, (GEN III And GEN 4)
54-00545-00	Assembly, Fan, Condenser, 11 inch, 24 VDC, (SPAL)
54-00618-01	Fan & Motor Assembly, Vector, 12V With 20 Amp Fuse (No Replacement Motor) Includes:
22-02336-25	Fuse, 20 Amp



54-00618-01

5.20 MOTORS

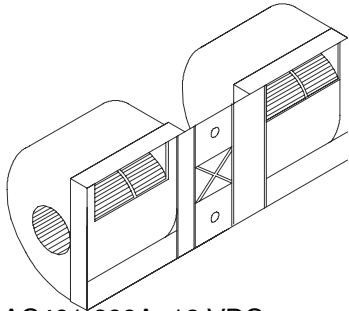


AC501-102 (12 VDC)

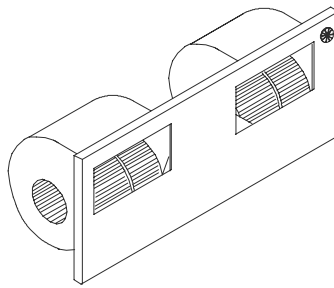
AC501-103A, (24 VDC)

AC501-102A	Motor, Condenser, 12 VDC, 2-1/2 Diameter With Gasket
AC501-103A	Motor, Condenser, 24 VDC, 2-1/2 Diameter With gasket
AC501-122	Motor, Evaporator, 12 VDC, (EM-10 & EM-17) - Includes:
22-50091-00Brush, Motor
04-50023-00Bearing, Motor
AC501-123	Motor, Evaporator, 12 VDC, (CM-6 And CM-13)
54-50080-00	Motor, Condenser, (Replacement for AC401-110)

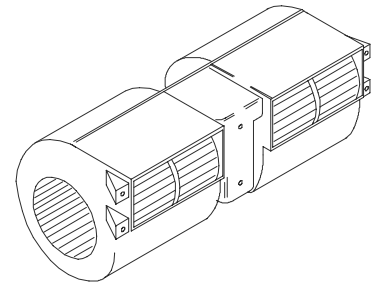
5.21 BLOWER ASSEMBLIES



AC401-200A, 12 VDC
AC401-201A, 24 VDC



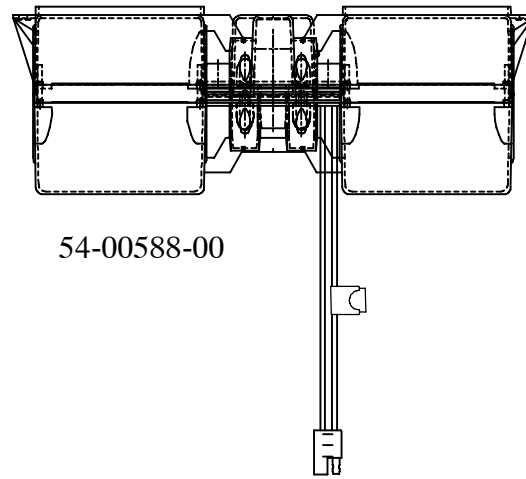
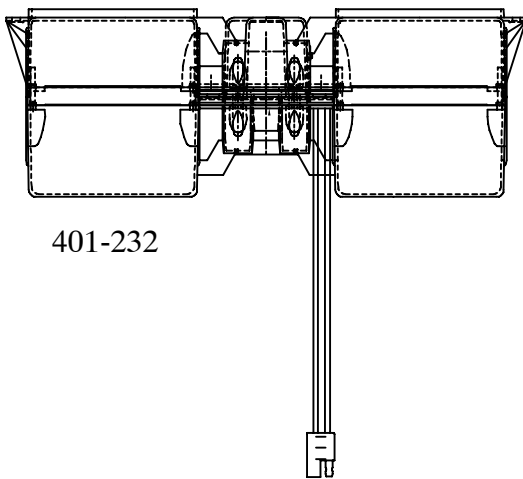
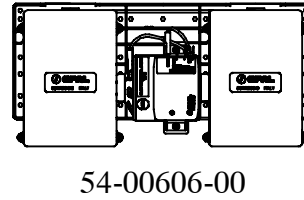
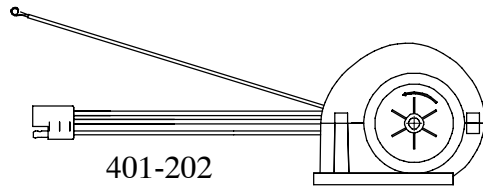
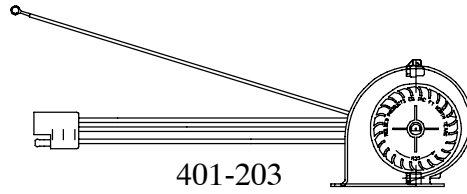
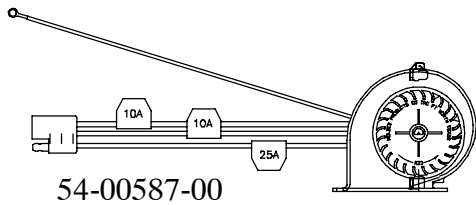
54-00546-03



AC401-209A, 12 VDC
AC401-210A, 24 VDC

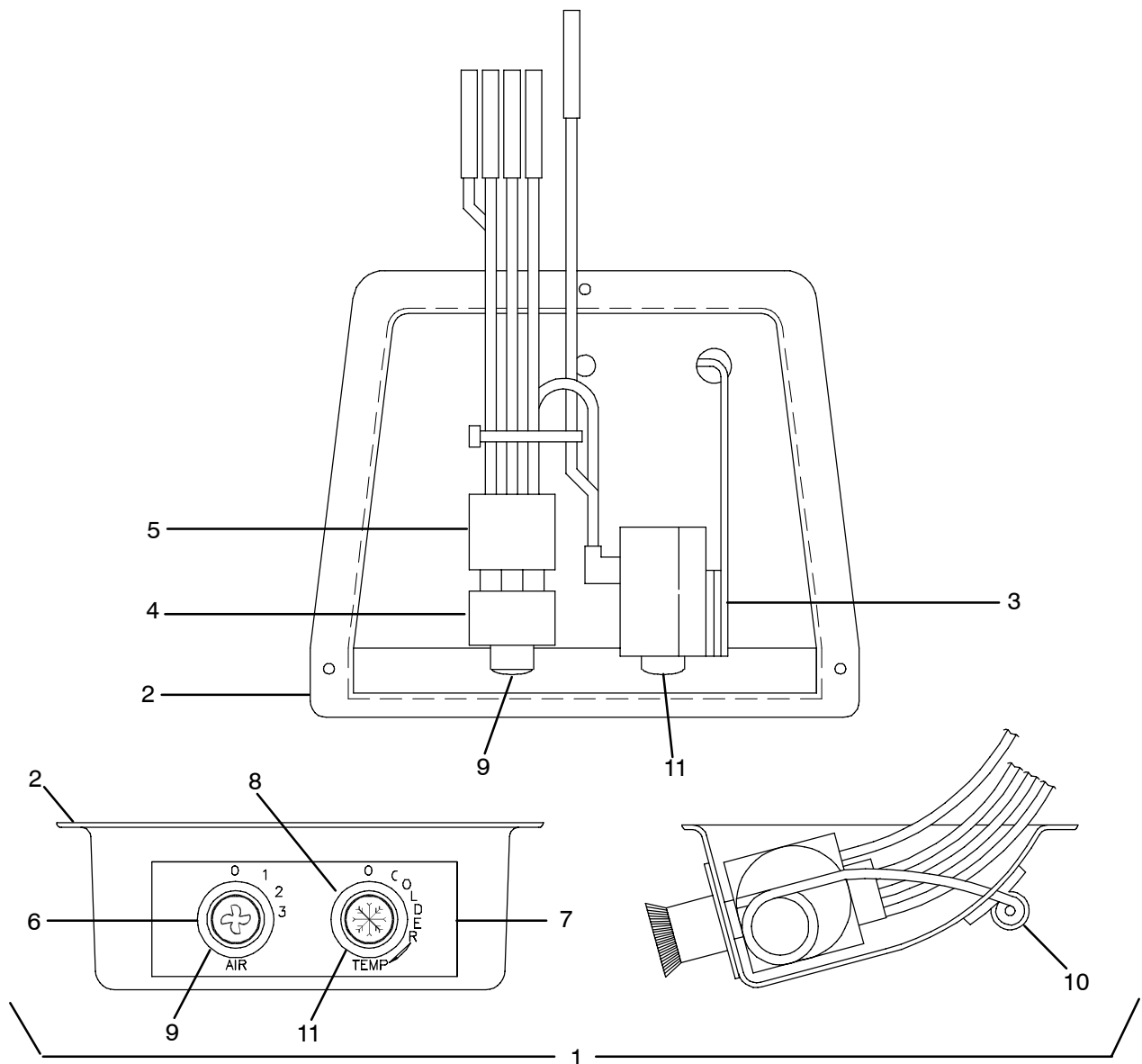
Part Number	Description
AC401-200A	Assembly, Blower, Dual, 12 VDC, GEN I Replacement Kit
N/A	Assembly, Blower, Dual, 24 VDC, GEN I Replacement Kit (AC401-201A)
AC401-204	Assembly, Blower, Dual, 24 VDC, GEN II, (EM-14)
54-00546-03	Assembly, Blower, Dual, 24 VDC, (EM-21 / EM-22 / EM-30)
AC401-209A	Assembly, Blower, Dual, 12 VDC, GEN II, (EM-1 / EM-2 / EM-3 / EM-6)
AC401-210A	Assembly, Blower, Dual, 24 VDC, GEN II, (EM-1 / EM-2 / EM-3 / EM-6)
AC401-214	Clip, Mounting, Use With 401-200
AC401-215	Blower Wheel, (EM-10)
AC401-216	Blower Housing, (EM-10)
AC401-217	Venturi Ring, (EM-10)
AC401-218	Assembly, Blower, Dual, 12 VDC, (EM-30)
AC401-219	Blower Housing, EM-10, Driver's Side
AC401-220	Blower Wheel, EM-10, Driver's Side
AC401-221	Assembly, Blower, Dual, 12 VDC, GEN III, (EM-1 / EM-2 / EM-3 / EM-6)
AC401-222	Assembly, Blower, Dual, 12 VDC, GEN III, (EM-1 / EM-2 / EM-3 / EM-6)
AC401-228	Assembly, Blower, Dual, 12 VDC, GEN III, (EM-14)
AC401-229	Assembly, Blower, Dual, 24 VDC, GEN III, (EM-14)
AC040-074	Assembly, Blower, Dual, 12 VDC, (EM-21) (Also Replacement Number AC401-202)
AC040-075	Assembly, Blower, Dual, 24 VDC, (EM-21) (Superseded by CM205-004RO)

5.21 BLOWER ASSEMBLIES - Continued



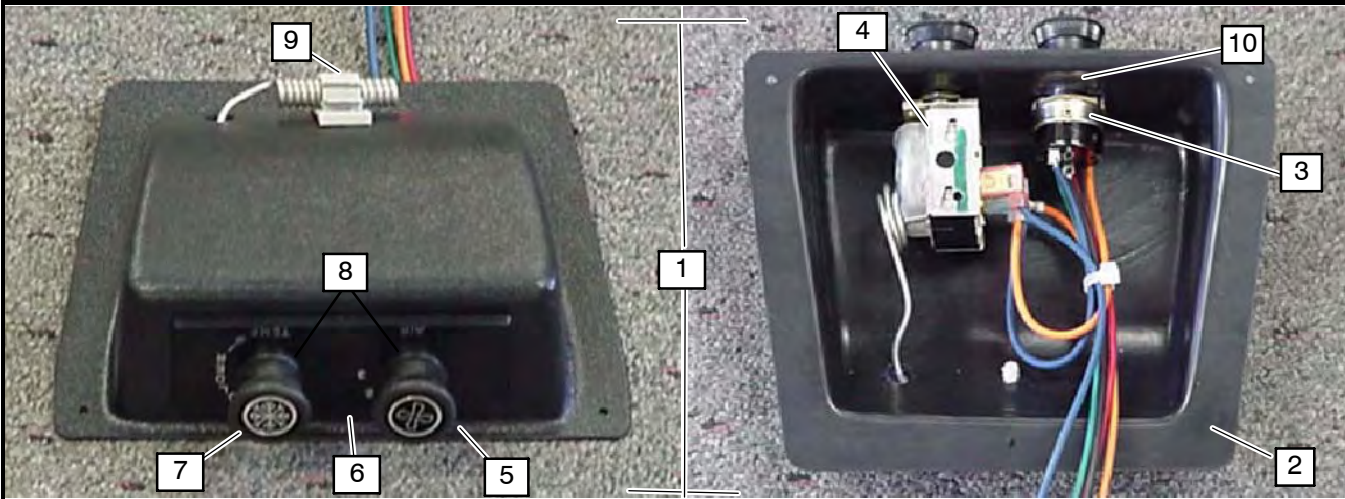
Part Number	Description
AC040-074	Fan & Motor Assembly, 12 VDC, EM-21, EM-22 & IW-1
AC401-203	Fan & Motor Assembly, 12 VDC, GEN II, EM-14
AC401-232	Fan & Motor Assembly, 12 VDC, GEN 4, (EM-1 / EM-2 / EM-3 / EM-6)
AC401-233	Fan & Motor Assembly, 24 VDC, GEN 4, (EM-1 / EM-2 / EM-3 / EM-6)
54-00587-00	Fan & Motor Assembly, 12 VDC, Fused, Gen 4, GSA, (EM-14)
54-00588-00	Fan & Motor Assembly, 12 VDC, Fused, Gen 4, GSA
54-00606-00	Fan & Motor Assembly, 12 VDC, Permanent Magnet, IW-7

5.22 DRIVERS CONTROL PANEL (GEN 1 THROUGH GEN 4)



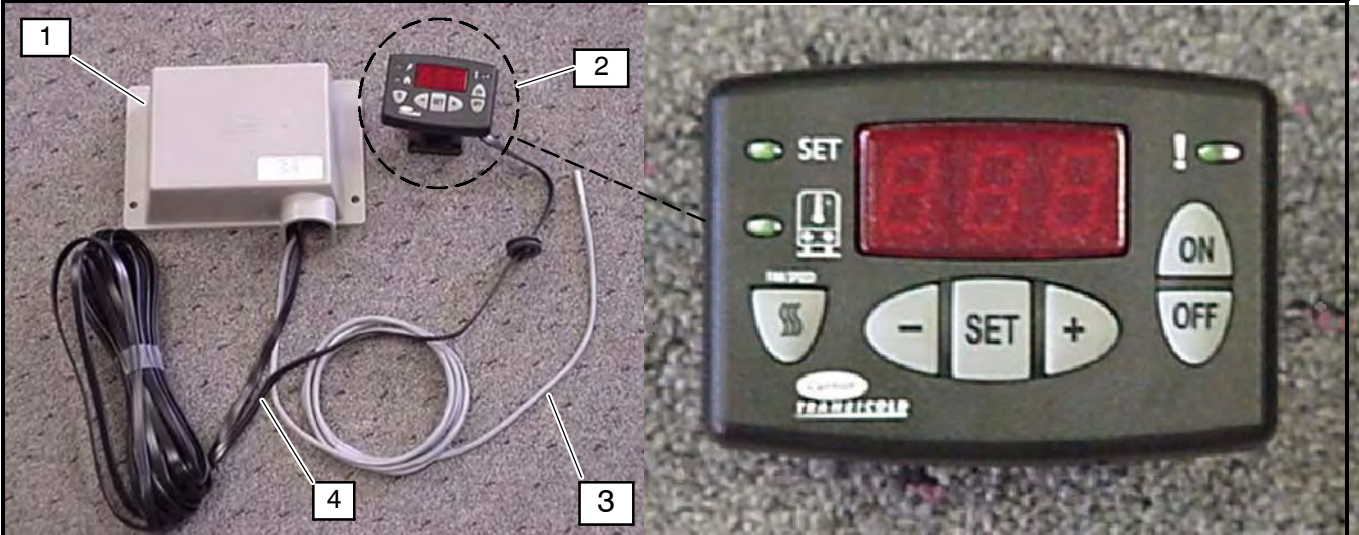
Item	Part Number	Description	Qty
1	AC010-006	Assembly, Drivers Control Panel, Includes:	1
2	AC010-204Housing, Control Panel, Black, (Cover)	1
3	AC201-500Thermostat, With Double Nut	1
4	AC201-305Switch, Fan Speed	1
5	AC201-902Harness, With 5 Position Connector, (Fan Speed Switch)	1
6	AC202-300Knob, Fan	1
7	AC202-301Nameplate, plastic, Black	1
8	AC202-303Knob, Snowflake	1
9	AC202-305Nut, Cover, Dressing	2
10	AC701-206Clamp, Thermostat Coil	1
11	AC202-307Nut, Hex, 7/16-28 Thread	2
12	77-62135-00	Kit, Drivers Control Panel, (Items 3 through 11)	1

5.23 DRIVERS CONTROL PANEL GEN-5 (VARIABLE)



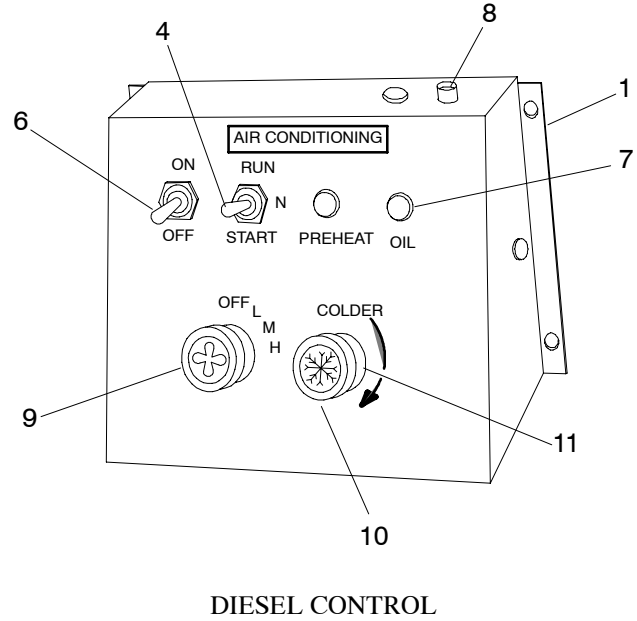
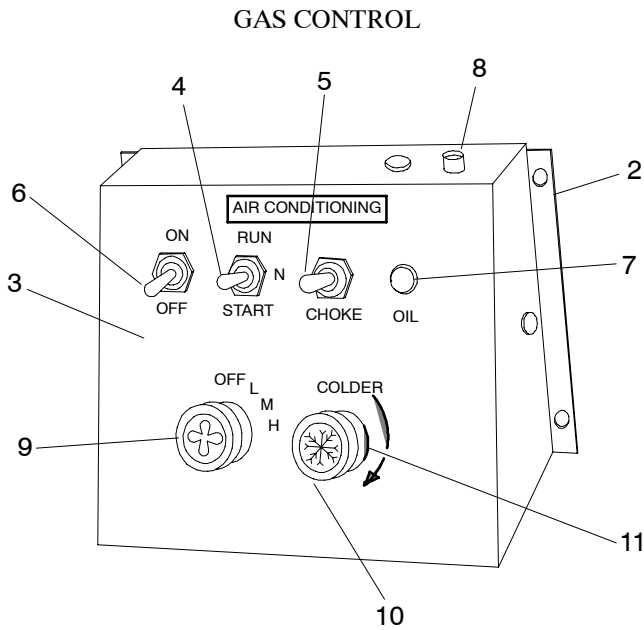
Item	Part Number	Description	Qty
1	91-62016-00	Assembly, Drivers Control Panel, Consisting Of:	1
2	AC010-204Housing, Control Panel, Black	1
3	22-62131-00Switch, Fan Speed	1
4	AC201-500Thermostat, Control With Double Nut	1
5	AC202-300Knob, Fan	1
6	AC202-301Switchplate, Control Panel, Plastic, Black	1
7	AC202-303Knob, Snowflake	1
8	AC302-305Nut, Cover	2
9	AC701-206Clamp, Thermostat Coil	1
10	AC202-307 Nut, Hex, (Fan Speed Switch)	2

5.24 DRIVERS CONTROL PANEL, (TOTAL CONTROL)



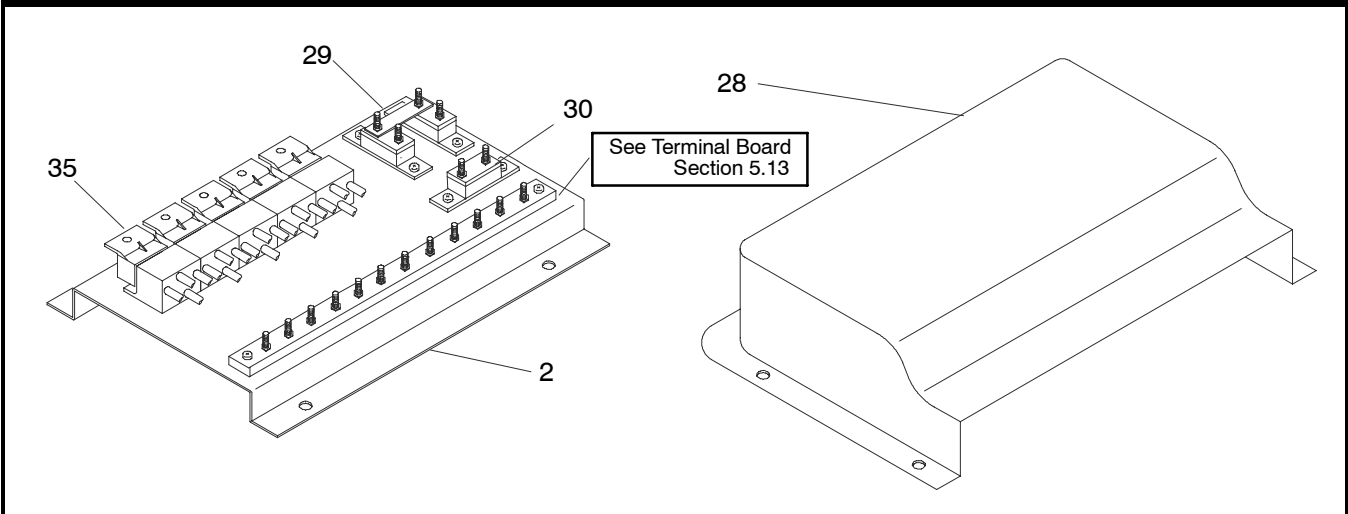
Item	Part Number	Description	Qty
1	12-00567-00	Module, Logic	1
2	12-00570-00	Cab Command	1
3	12-00512-02	Sensor, Thermistor, (50 Ft.)	1
	12-00512-00	Sensor, Thermistor, (6.9 Ft.)	1
4	22-60551-07	Cable, Cab Command, (52 Ft.)	1
	22-60551-06	Cable, Cab Command, (32 Ft.)	1
	22-60168-04	Cable, Cab Command, (32 Ft.)	1
	22-60168-03	Cable, Cab Command, (15 Ft.)	1
N/S	76-62139-00	Sensor Kit, Replacement, Includes:	1
	12-00512-08 Sensor, Thermistor (5 Ft.)	1
	22-01451-00 Butt Splice Connector, Insulated, (16-22 AWG)	2

5.25 DRIVERS CONTROL PANEL, POWER PACKS



Item	Part Number	Description	Qty
1	AC063-032	Weldment, Drivers Control, (Diesel)	1
2	AC061-198	Weldment, Drivers control, (Gas)	1
3	AC060-208	Nameplate (Gas)	1
N/S	AC201-108	Resistor, 40 Ohm, 2 Amp, (Gas/Diesel)	1
4	AC201-302	Switch, Toggle, SPDT, (ON-OFF-MOM), (Gas/Diesel)	1
5	AC201-303	Switch, Toggle, SPST, (OFF-MOM), (Gas)	1
6	AC201-304	Switch, Toggle, SPST, (ON-OFF), (Gas/Diesel)	1
N/S	AC201-305	Switch, Fan Speed, (Gas/Diesel)	1
N/S	AC201-500	Thermostat, Air, (Gas/Diesel)	1
7	AC201-601	Light, LED, Red, (Gas/Diesel)	1
8	AC201-607	Lampholder, (Gas/Diesel)	1
N/S	AC201-608	Lamp, Bulb, (Gas/Diesel)	1
N/S	AC201-912	Harness, With 9 Circuit Connector, (Gas/Diesel)	1
N/S	AC201-918	Harness, With 3 Circuit Connector, (Gas/Diesel)	1
9	AC202-300	Knob, Fan, Rubber, (Gas/Diesel)	1
10	AC202-303	Knob, Snowflake, Rubber, (Gas/Diesel)	1
11	AC202-305	Nut, Cover, (Gas/Diesel)	2
N/S	AC701-206	Clamp, thermostat, (Gas/Diesel)	1
N/S	AC801-511	Plug, For 7/16 inch Hole, (Gas)	2

5.26 CONTROL PANEL - AC-340 THROUGH AC-866

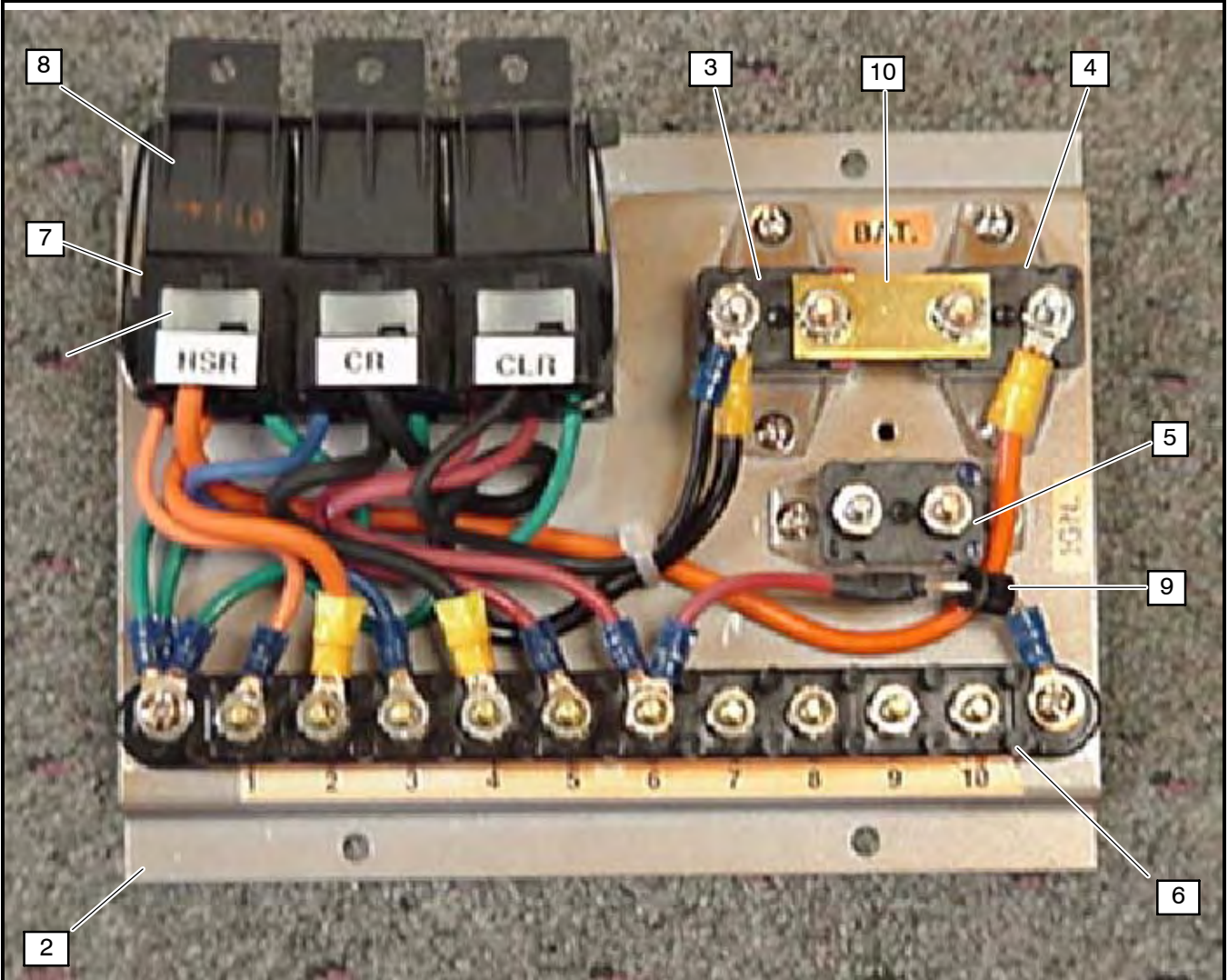


Item	Part Number	Description	Qty
1	AC010-218	Channel, Mounting, Electrical Components, (AC-340 To Ac-663)	A/R
2	AC021-155	Channel, Mounting, Electrical Components, (AC-862 & AC-863)	A/R
3	AC010-223	Assembly, Electrical Panel, #2, AC-552, AC-553, With CLR	A/R
4	AC010-292	Assembly, Electrical Panel, #2, AC-552, AC-553, With CLR, (24 VDC)	A/R
5	AC010-225	Assembly, Electrical Panel, #4, AC-442, AC-444, With CLR	A/R
6	AC010-296	Assembly, Electrical Panel, #4, AC-552, AC-553, With CLR, (24 VDC)	A/R
7	AC010-227	Assembly, Electrical Panel, #6, AC-340, With CLR	A/R
8	AC010-229	Assembly, Electrical Panel, #8, AC-862, AC-863, With CLR	A/R
9	AC010-332	Assembly, Electrical Panel, #8, AC-862, AC-863, With CLR, (24 VDC)	A/R
10	AC010-236	Assembly, Electrical Panel, #9, AC-663, With CLR	A/R
11	AC010-298	Assembly, Electrical Panel, #9, AC-663, With CLR, (24 VDC)	A/R
12	AC010-260	Assembly, Electrical Panel, #11, AC-552, AC-553, With CLR & MSR	A/R
13	AC010-262	Assembly, Electrical Panel, #12, AC-643, With CLR	A/R
14	AC010-312	Assembly, Electrical Panel, AC-866	A/R
15	AC010-378	Assembly, Electrical Panel, AC-862, AC-863, With 2 CLR	A/R
16	AC010-479	Assembly, Electrical Panel, AC-862, AC-863, With 2 CLR & LSR	A/R
17	AC010-560	Assembly, Electrical Panel, GEN 4, #2, AC-552, AC-553, With CLR	A/R
18	AC010-561	Assembly, Electrical Panel, GEN 4, #4, AC-442, AC-444, With CLR	A/R
19	AC010-562	Assembly, Electrical Panel, GEN 4, #2, AC-552/553, With CLR, (24 VDC)	A/R
20	AC010-563	Assembly, Electrical Panel, GEN 4, #6, ,AC-340, With CLR	A/R
21	AC010-564	Assembly, Electrical Panel, GEN 4, #12, AC-643, With CLR	A/R
22	AC010-565	Assembly, Electrical Panel, GEN 4, #11, AC-552/553, With CLR & MSR	A/R
23	AC010-566	Assembly, Electrical Panel, GEN 4, AC-662, AC-663, With CLR	A/R
24	AC010-567	Assembly, Electrical Panel, GEN 4, AC-662, AC-663, With CLR, (24VDC)	A/R
25	AC010-568	Assembly, Electrical Panel, GEN 4 ,AC-862, AC-863, With CLR	A/R
26	AC010-569	Assembly, Electrical Panel, GEN 4, AC-862/863, With CLR, (24 VDC)	A/R
27	AC010-570	Assembly, Electrical Panel, GEN 4, AC-862/863, With 2 CLR	A/R
28	AC011-083	Cover, Electrical Panel	A/R
29	AC021-156	Buss Bar, Brass	A/R
30	AC201-100	Circuit Breaker, 20 AMP, (Type II)	A/R

5.26 CONTROL PANEL - AC-340 THROUGH AC-866 - Continued:

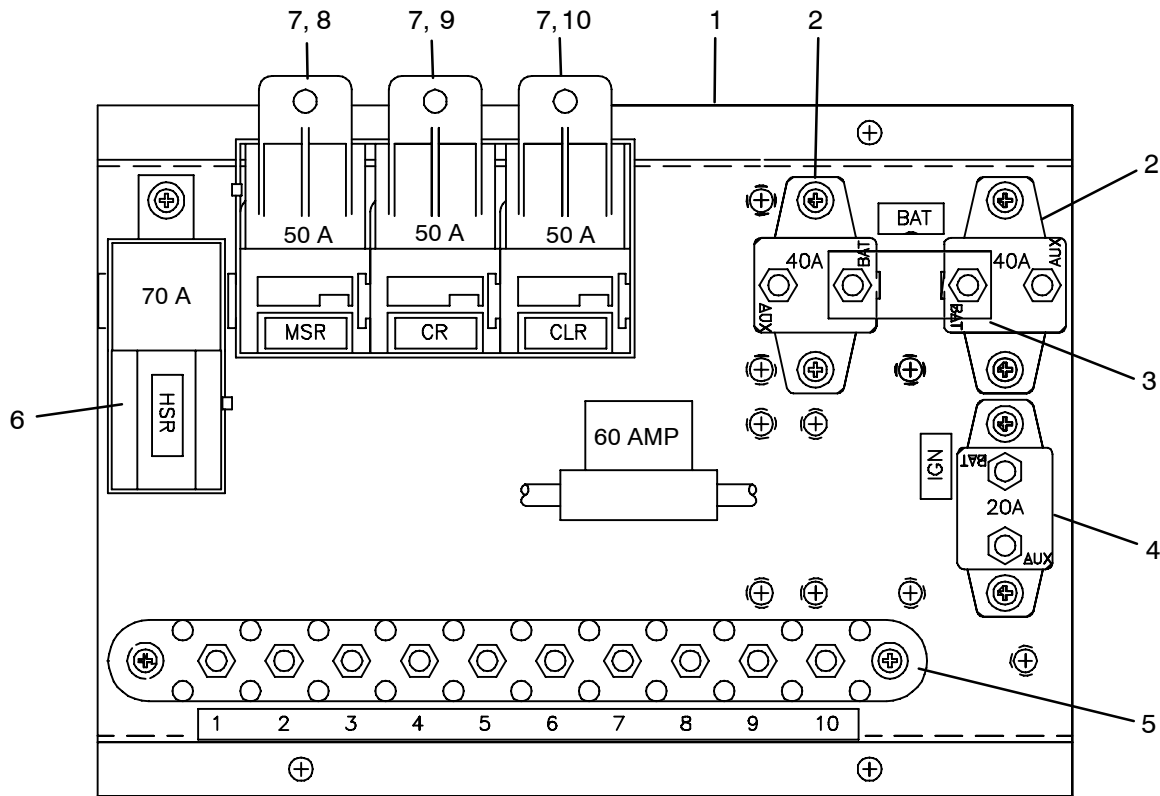
Item	Part Number	Description	Qty
31	AC201-105	Circuit Breaker, 20 AMP, Manual	A/R
32	AC201-106	Circuit Breaker, 30 AMP, Manual	A/R
33	AC201-112	Circuit Breaker, 40 AMP, Manual	A/R
34	AC201-107	Circuit Breaker, 50 AMP, Manual	A/R
35	10-00286-14	Relay, 4 Prong, 12 VDC, 40 AMP	A/R
36	10-00301-00	Relay, 5 Prong, 24 VDC, 10/20 AMP	A/R
37	10-00328-00	Relay, 4 Prong, 12 VDC, 70 AMP	A/R
38	AC201-922	Connector, High Speed Relay	A/R
39	AC201-923	Connector, Condenser Relay	A/R
40	AC201-924	Connector, Clutch Relay	A/R
41	AC201-926	Connector, Medium Speed Relay	A/R

5.27 CONTROL PANEL, STANDARD, GEN V



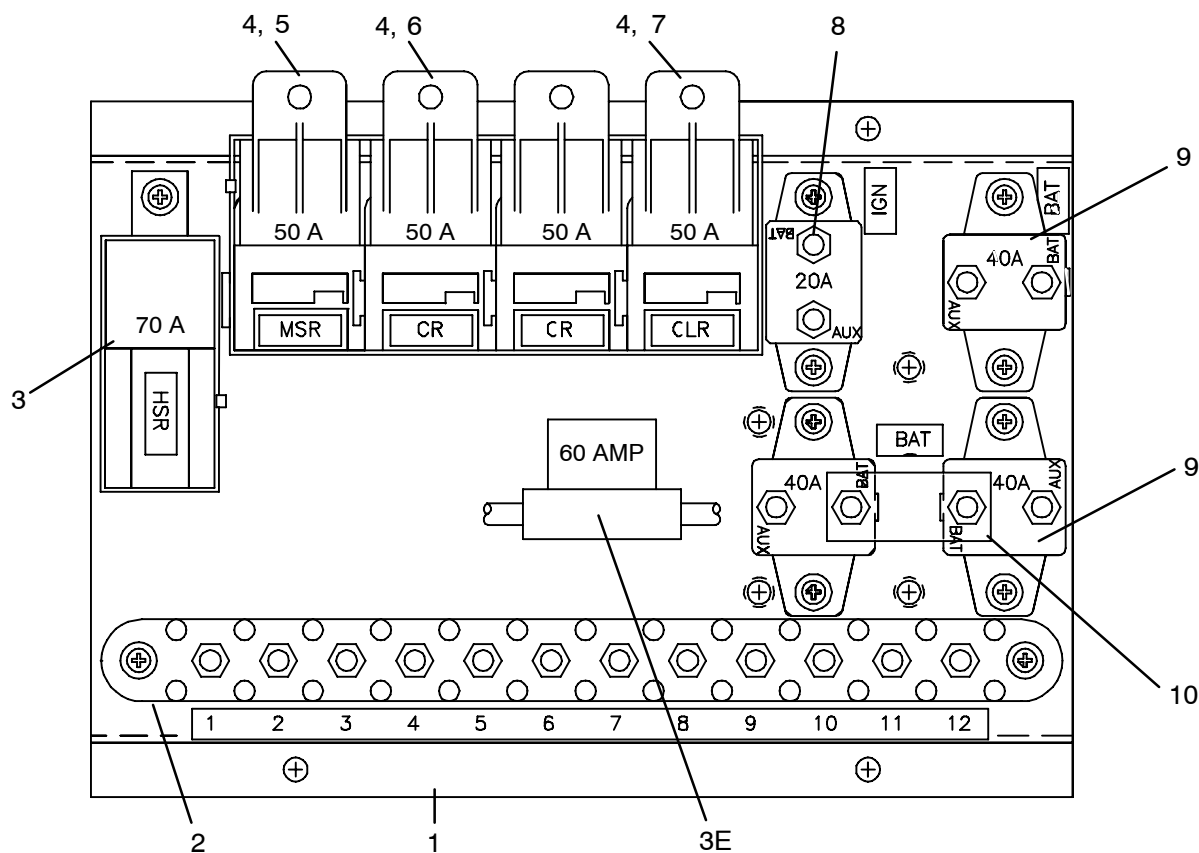
Item	Part Number	Description	Qty
1	91-62015-00	Panel Assembly, Electrical, 12 VDC, (GenV) Shown Above, Includes:	1
2	AC010-218Channel, Mounting, Electrical Components	1
3	AC201-112Breaker, Circuit, 40 Amp	1
4	AC201-107Breaker, Circuit, 50 Amp	1
5	22-50245-00Breaker, Circuit, 10 Amp	1
6	22-01334-07Board, Terminal, 10 position	1
7	AC201-922Connector, /Lock Assembly, Relay, With Wiring (HSR) - Includes:	1
7A	AC201-901Connector, Relay	1
7B	AC201-931Lock, Connector, Relay	1
7	22-62238-02Connector, /Lock Assembly, Relay, With Wiring (CR) - Includes:	1
7A	AC201-901Connector, Relay	1
7B	AC201-931Lock, Connector, Relay	1
7	22-62238-03Connector, /Lock Assembly, Relay, With Wiring (CLR) - Includes:	1
7A	AC201-901Connector, Relay	1
7B	AC201-931Lock, Connector, Relay	1
8	10-00286-09Relay, 40 Amp, 12 VDC	3
9	AC201-600Diode, 6 Amp, 200 VDC	1
10	AC021-156Buss Bar	1

5.28 CONTROL PANEL, AC663



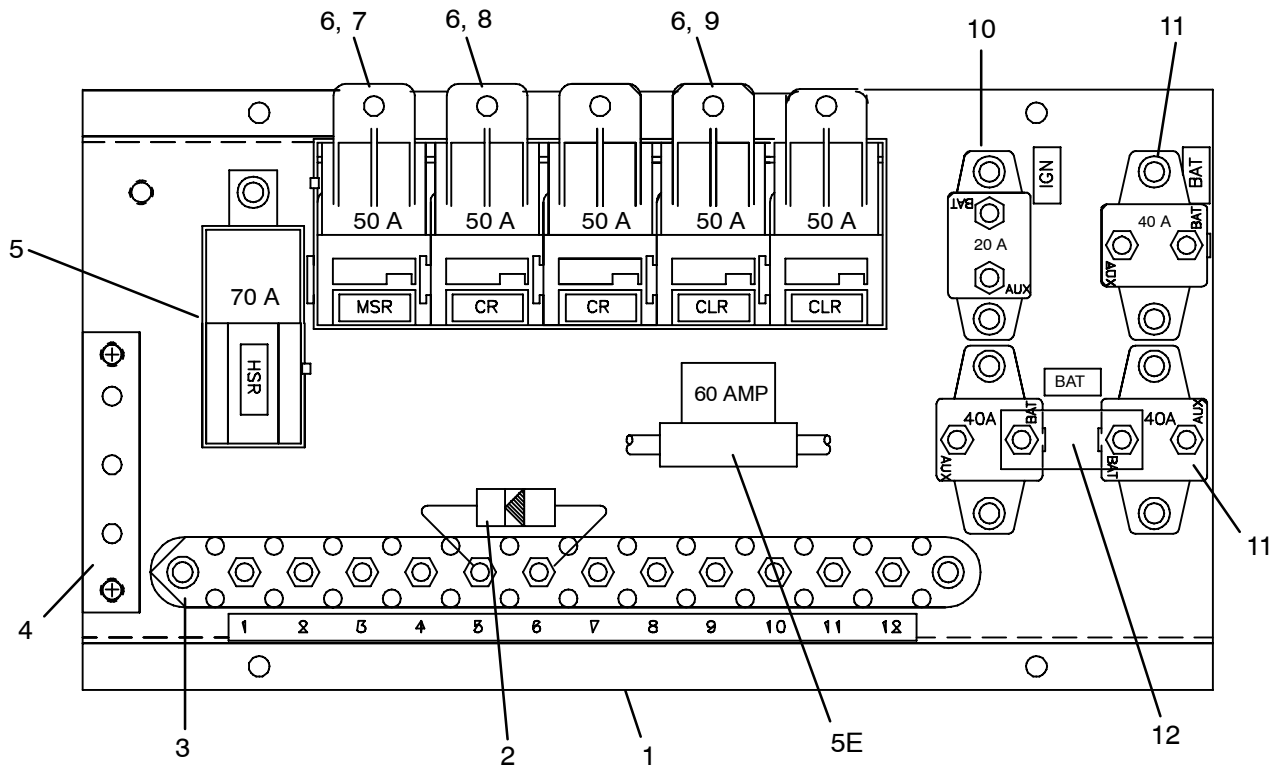
Item	Part Number	Description	Qty
-	91-62017-00	Panel Assembly, Electrical, AC663, 12 VDC, (Shown Above), Includes:	1
1	AC021-155	...Channel, Mounting, Electrical Components	1
2	AC201-112	...Breaker, Circuit, 40 Amp	2
3	AC021-156	... BussBar	1
4	AC201-100	...Breaker, Circuit, 20 Amp	1
5	22-01334-07	...Board, Terminal, 10 Position	1
6	22-62210-01	...Relay/Connector Assembly, With Wiring & Fuse - Includes:	1
6A	10-00328-00Relay, 70 Amp, 12 VDC	1
6B	22-62210-03Connector/Wiring/Fuse Holder Assembly - Includes:	1
6C	22-50078-18Connector, Relay	1
6D	22-62110-00Holder, Fuse, Inline, With Cover	1
6E	22-02336-17Fuse, 60 Amp	1
6F	AC901-513Label, HSR (High Speed Relay)	1
7	10-00286-14	...Relay, 50 Amp, 12 VDC	3
8	22-62238-00	...Connector/Lock Assembly, Relay, With Wiring (MSR) - Includes:	1
8A	AC201-901Connector, Relay	1
8B	AC201-931Lock, Connector, Relay	1
9	22-62238-02	...Connector/Lock Assembly, Relay, With Wiring (CR) - Includes:	1
9A	AC201-901Connector, Relay	1
9B	AC201-931Lock, Connector, Relay	1
10	22-62238-03	...Connector/Lock Assembly, Relay, With Wiring (CLR) - Includes:	1
10A	AC201-901Connector, Relay	1
10B	AC201-931Lock, Connector, Relay	1

5.29 CONTROL PANEL, AC863, 12 VDC

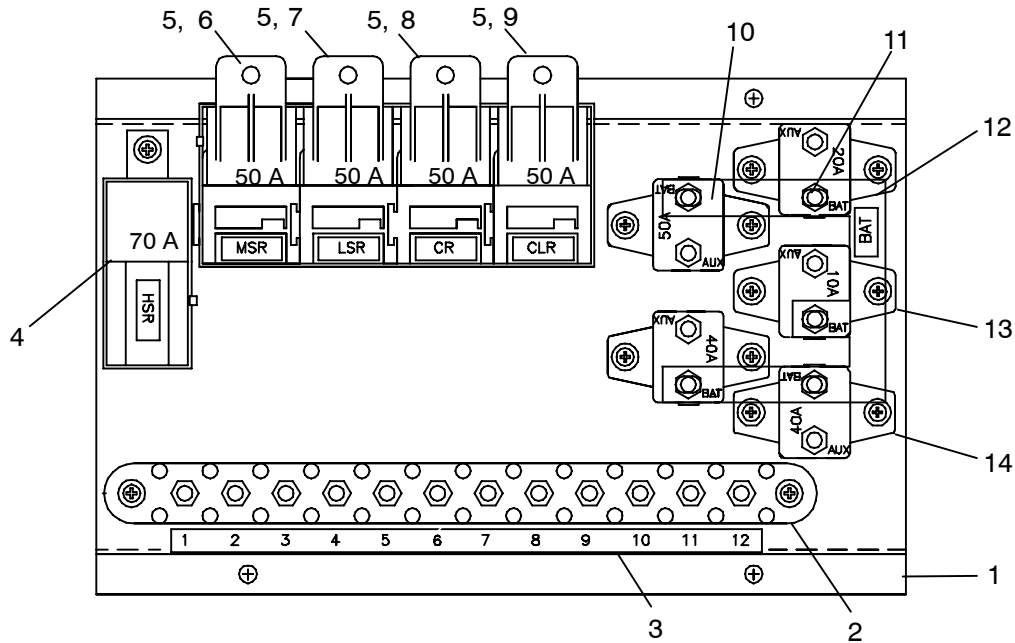


Item	Part Number	Description	Qty
-	91-62018-00	Panel Assembly, Electrical, AC863, 12 VDC, (Shown Above), Includes:	1
1	AC021-155	...Channel, Mounting, Electrical Components	1
2	AC201-927	...Board, Terminal, 12 position	1
3	22-62210-01	...Relay/Connector Assembly, With Wiring & Fuse - Includes:	1
3A	10-00328-00Relay, 70 Amp, 12 VDC	1
3B	22-62210-03Connector/Wiring/Fuse Holder Assembly - Includes:	1
3C	22-50078-18Connector, Relay	1
3D	22-62110-00Holder, Fuse, INline, With Cover	1
3E	22-02336-17Fuse, 60 Amp	1
3F	AC901-513Label, HSR (High Speed Relay)	1
4	10-00286-14	...Relay, 50 Amp, 12 VDC	4
5	22-62238-00	...Connector/Lock Assembly, Relay, With Wiring (MSR) - Includes:	1
5A	AC201-901Connector, Relay	1
5B	AC201-931Lock, Connector, Relay	1
6	22-62238-02	...Connector/Lock Assembly, Relay, With Wiring (CR) - Includes:	2
6A	AC201-901Connector, Relay	1
6B	AC201-931Lock, Connector, Relay	1
7	22-62238-03	...Connector/Lock Assembly, Relay, With Wiring (CLR) - Includes:	1
7A	AC201-901Connector, Relay	1
7B	AC201-931Lock, Connector, Relay	1
8	AC201-100	...Breaker, Circuit, 20 Amp	1
9	AC201-112	...Breaker, Circuit, 40 Amp	3
10	AC021-156	...Bar, Buss	1

5.30 CONTROL PANEL, AC863 - (2) CL

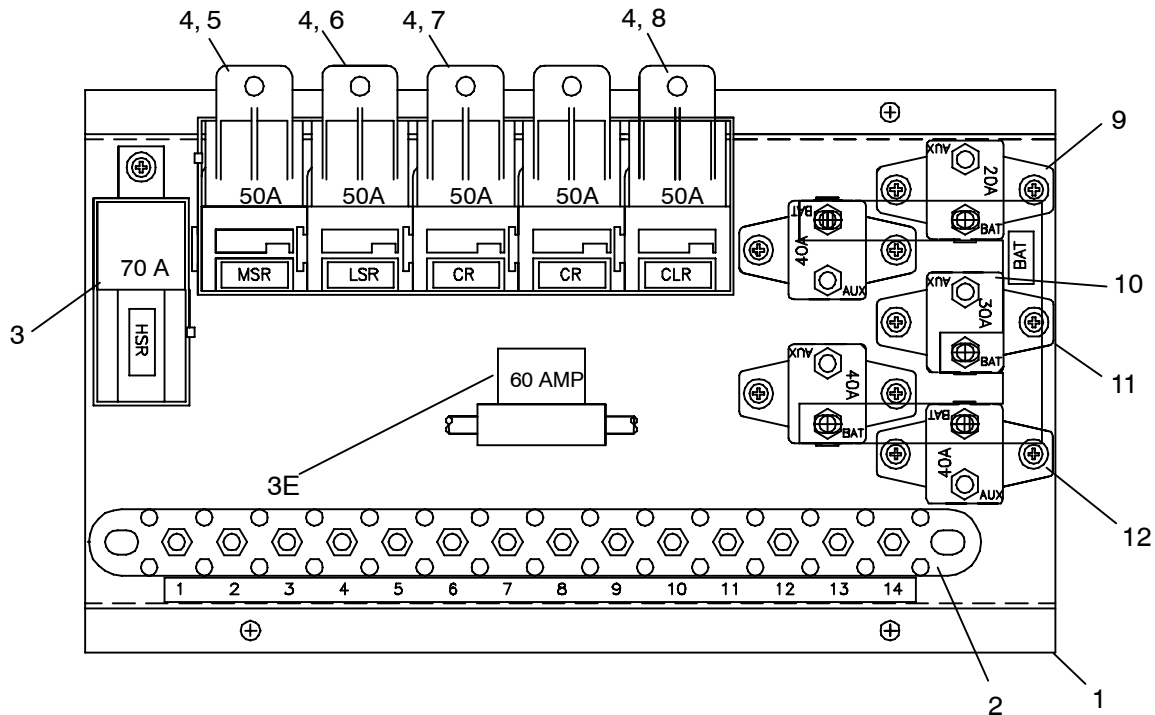


Item	Part Number	Description	Qty
-	91-62019-00	Panel Assembly, Electrical, AC863, 12 VDC, (Shown Above), Includes:	1
1	AC021-270	...Channel, Mounting, Electrical Components	1
2	AC201-600	...Diode, 6 Amp, 200 VDC	1
3	22-01334-09	...Board, Terminal, 12 position	1
4	22-01334-00	...Board, Terminal, 3 position	1
5	22-62210-01	...Relay/Connector Assembly, With Wiring & Fuse - Includes:	1
5A	10-00328-00Relay, 70 Amp, 12 VDC	1
5B	22-62210-03Connector/Wiring/Fuse Holder Assembly - Includes:	1
5C	22-50078-18Connector, Relay	1
5D	22-62110-00Holder, Fuse, INline, With Cover	1
5E	22-02336-17Fuse, 60 Amp	1
5F	AC901-513Label, HSR (High Speed Relay)	1
6	10-00286-14	...Relay, 50 Amp, 12 VDC	5
7	22-62238-00	...Connector/Lock Assembly, Relay, With Wiring (MSR) - Includes:	1
7A	AC201-901Connector, Relay	1
7B	AC201-931Lock, Connector, Relay	1
8	22-62238-02	...Connector/Lock Assembly, Relay, With Wiring (CR) - Includes:	2
8A	AC201-901Connector, Relay	1
8B	AC201-931Lock, Connector, Relay	1
9	22-62238-03	...Connector/Lock Assembly, Relay, With Wiring (CLR) - Includes:	2
9A	AC201-901Connector, Relay	1
9B	AC201-931Lock, Connector, Relay	1
10	AC201-100	...Breaker, Circuit, 20 Amp	1
11	AC201-112	...Breaker, Circuit, 40 Amp	3
12	AC021-156	...Buss Bar	1

5.31 CONTROL PANEL, GSA


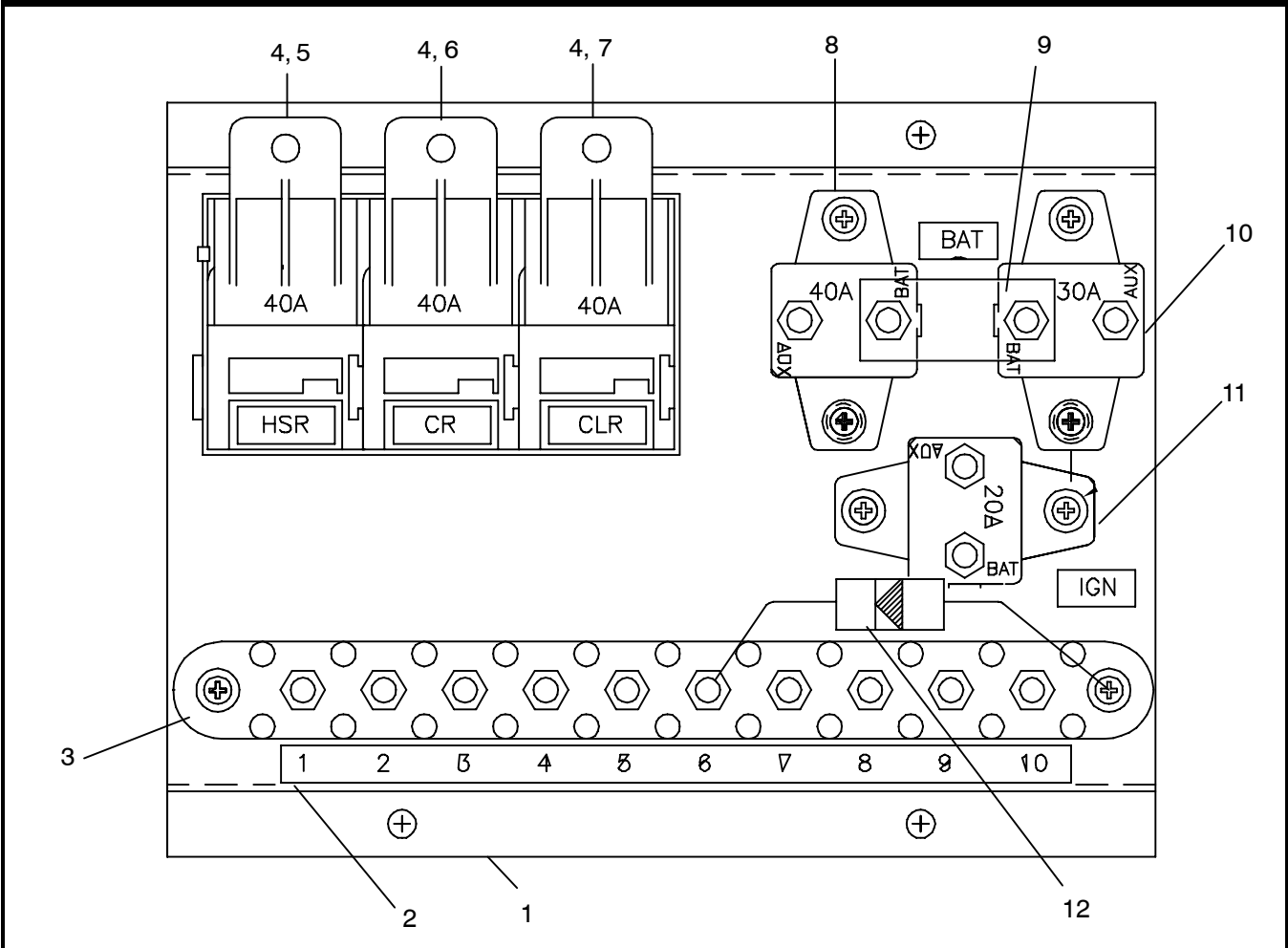
Item	Part Number	Description	Qty
-	91-62022-00	Panel Assembly, Electrical, GSA, 12 VDC, (Shown Above), Includes:	1
1	68-62828-00	...Channel, Mounting, Electrical Components	1
2	22-01334-09	...Board, Terminal, 12 position	1
3	AC901-517	...Label, Terminal Board, 12 Position	1
4	22-62210-01	...Relay/Connector Assembly, With Wiring & Fuse - Includes:	1
4A	10-00328-00Relay, 70 Amp, 12 VDC	1
4B	22-62210-03Connector/Wiring/Fuse Holder Assembly - Includes:	1
4C	22-50078-18Connector, Relay	1
4D	22-62110-00Holder, Fuse, Inline, With Cover	1
4E	22-02336-17Fuse, 60 Amp	1
4F	AC901-513Label, HSR (High Speed Relay)	1
5	10-00286-14	...Relay, 50 Amp, 12 VDC	5
6	22-62238-00	...Connector/Lock Assembly, Relay, With Wiring (MSR) - Includes:	1
6A	AC201-901Connector, Relay	1
6B	AC201-931Lock, Connector, Relay	1
7	22-62238-01	...Connector/Lock Assembly, Relay, With Wiring (LSR) - Includes:	1
7A	AC201-901Connector, Relay	1
7B	AC201-931Lock, Connector, Relay	1
8	22-62238-02	...Connector/Lock Assembly, Relay, With Wiring (CR) - Includes:	1
8A	AC201-901Connector, Relay	1
8B	AC201-931Lock, Connector, Relay	1
9	22-62238-03	...Connector/Lock Assembly, Relay, With Wiring (CLR) - Includes:	1
9A	AC201-901Connector, Relay	1
9B	AC201-931Lock, Connector, Relay	1
10	AC201-107	...Breaker, Circuit, 50 Amp, Manual Reset	1
11	AC201-105	...Breaker, Circuit, 20 Amp, Manual Reset	1
12	68-62860-00	...Buss Bar	1
13	AC201-105-1	...Breaker, Circuit, 10 Amp, Manual Reset	1
14	AC201-112	...Breaker, Circuit, 40 Amp, Manual Reset	2

5.32 CONTROL PANEL, EM-3 GSA



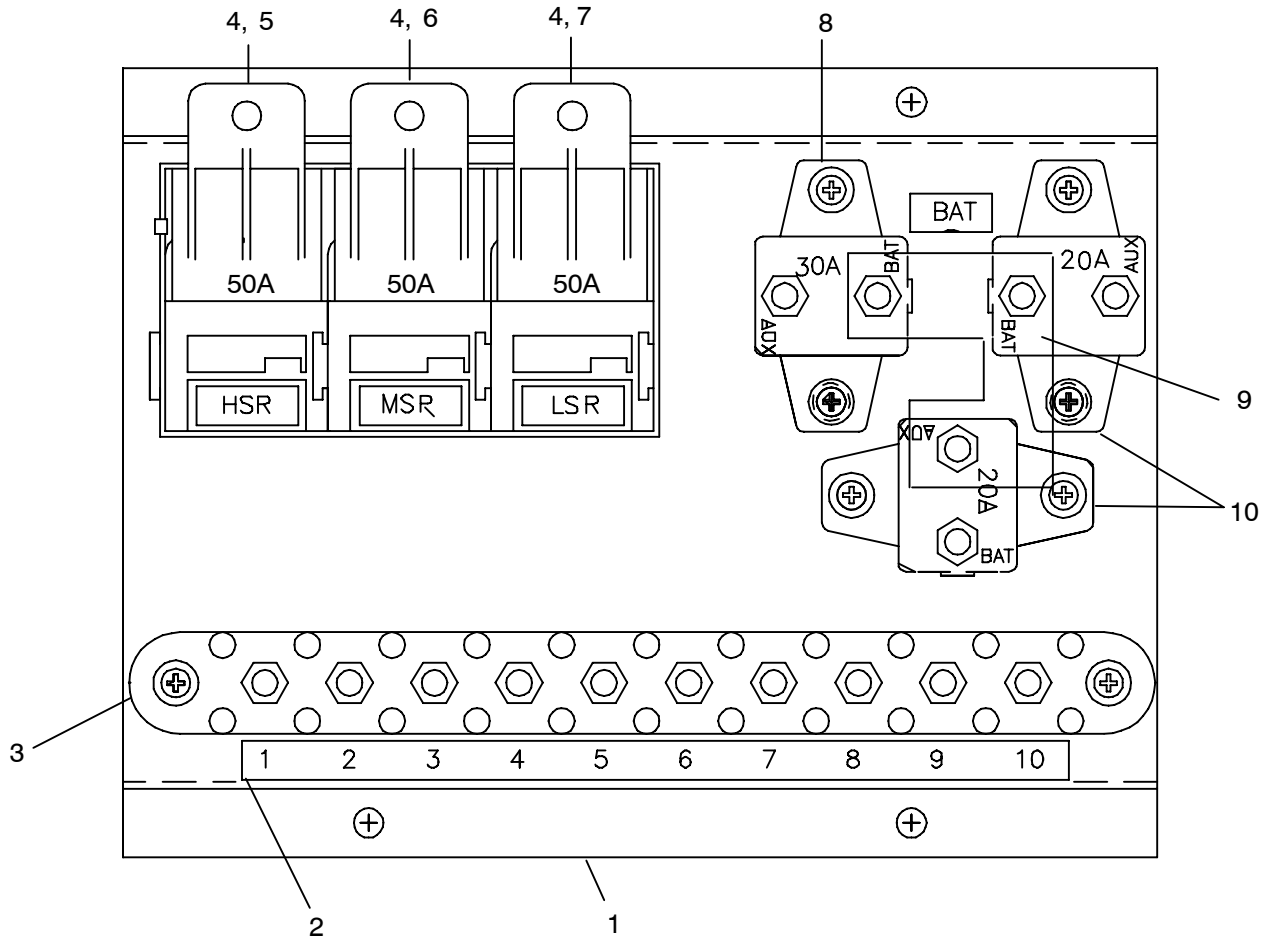
Item	Part Number	Description	Qty
-	91-62023-00	Panel Assembly, Electrical, EM-3, GSA 12 VDC, (Above), Includes:	1
1	68-62850-00	...Channel, Mounting, Electrical Components	1
2	22-01344-11	...Board, Terminal, 14 position	1
3	22-62210-01	...Relay/Connector Assembly, With Wiring & Fuse - Includes:	1
3A	10-00328-00Relay, 70 Amp, 12 VDC	1
3B	22-62210-03Connector/Wiring/Fuse Holder Assembly - Includes:	1
3C	22-50078-18Connector, Relay	1
3D	22-62110-00Holder, Fuse, Inline, With Cover	1
3E	22-02336-17Fuse, 60 Amp	1
3F	AC901-513Label, HSR (High Speed Relay)	1
4	10-00286-14	...Relay, 50 Amp, 12 VDC	5
5	22-62238-00	...Connector/Lock Assembly, Relay, With Wiring (MSR) - Includes:	1
5A	AC201-901Connector, Relay	1
5B	AC201-931Lock, Connector, Relay	1
6	22-62238-01	...Connector/Lock Assembly, Relay, With Wiring (LSR) - Includes:	1
6A	AC201-901Connector, Relay	1
6B	AC201-931Lock, Connector, Relay	1
7	22-62238-02	...Connector/Lock Assembly, Relay, With Wiring (CR) - Includes:	2
7A	AC201-901Connector, Relay	1
7B	AC201-931Lock, Connector, Relay	1
8	22-62238-03	...Connector/Lock Assembly, Relay, With Wiring (CLR) - Includes:	1
8A	AC201-901Connector, Relay	1
8B	AC201-931Lock, Connector, Relay	1
9	AC201-105	...Breaker, Circuit, 20 Amp, Manual Reset	1
10	68-62860-00	...Buss Bar	1
11	AC201-106	...Breaker, Circuit, 30 Amp, Manual Reset	1
12	AC201-112	...Breaker, Circuit, 40 Amp, Manual Reset	3

5.33 CONTROL PANEL, AC553, 24VDC, GEN V



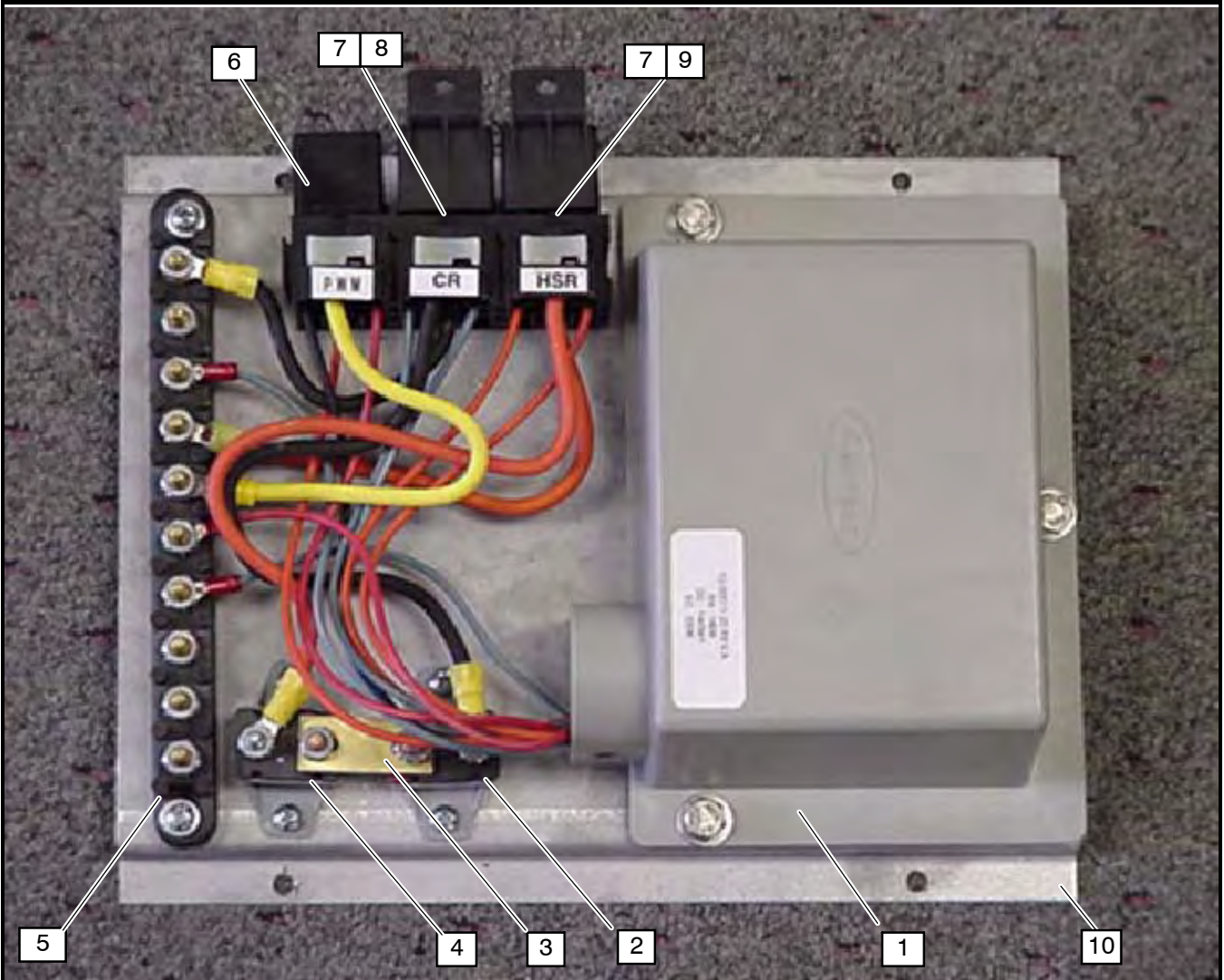
Item	Part Number	Description	Qty
-	91-62025-00	Panel Assembly, Electrical, AC553, 24 VDC, (Shown Above) Includes:	1
1	AC010-218Channel, Mounting, Electrical Components	1
2	AC901-514Label, Terminal Board, 10 Position	1
3	22-01334-07Board, Terminal, 10 position	1
4	10-00286-09Relay, 40 Amp, 12 VDC	3
5	AC201-922Connector/Lock Assembly, Relay, With Wiring (HSR) - Includes:	1
5A	AC201-901Connector, Relay	1
5B	AC201-931Lock, Connector, Relay	1
6	22-62238-02Connector/Lock Assembly, Relay, With Wiring (CR) - Includes:	1
6A	AC201-901Connector, Relay	1
6B	AC201-931Lock, Connector, Relay	1
7	22-62238-03Connector/Lock Assembly, Relay, With Wiring (CLR) - Includes:	1
7A	AC201-901Connector, Relay	1
7B	AC201-931Lock, Connector, Relay	1
8	AC201-112Breaker, Circuit, 40 Amp, Manual Reset	1
9	AC021-156 Buss, Bar	1
10	AC201-106Breaker, Circuit, 30 Amp, Manual Reset	1
11	AC201-105Breaker, Circuit, 20 Amp, Manual Reset	1
12	AC201-600Diode, 6 Amp, 200 VDC	1

5.34 CONTROL PANEL, GSA TIE-IN



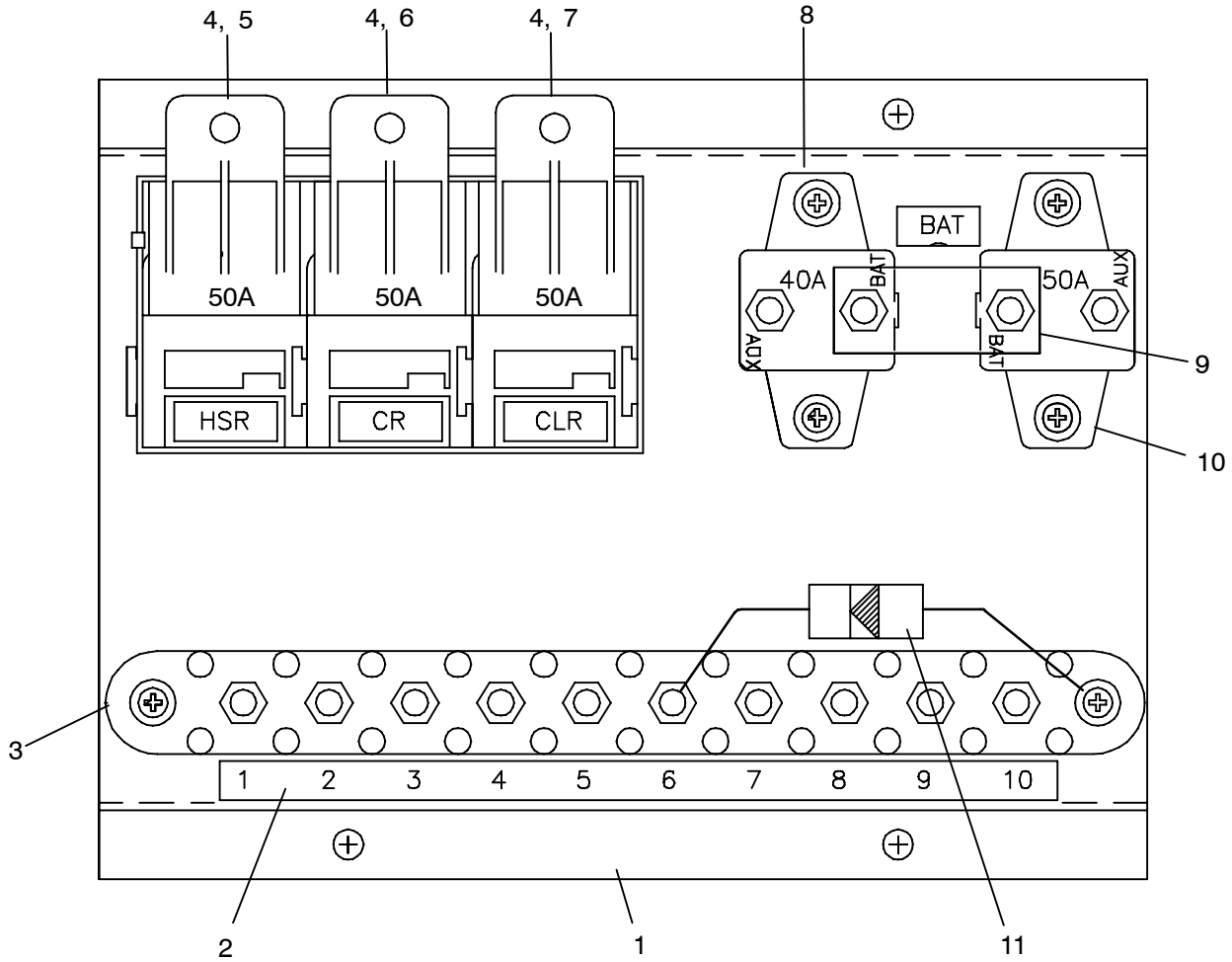
Item	Part Number	Description	Qty
-	91-62027-00	Panel Assembly, Electrical, GSA Tie-In, 12 VDC, (Above), Includes:	1
1	AC010-218Channel, Mounting, Electrical Components	1
2	AC901-514Label, Terminal Board, 10 Position	1
3	22-01334-07Board, Terminal, 10 position	1
4	10-00286-14Relay, 50 Amp, 12 VDC	3
5	AC201-922Connector/Lock Assembly, Relay, With Wiring (HSR) - Includes:	1
5A	AC201-901Connector, Relay	1
5B	AC201-931Lock, Connector, Relay	1
6	22-62238-00Connector/Lock Assembly, Relay, With Wiring (MSR) - Includes:	1
6A	AC201-901Connector, Relay	1
6B	AC201-931Lock, Connector, Relay	1
7	22-62238-01Connector/Lock Assembly, Relay, With Wiring (LSR) - Includes:	1
7A	AC201-901Connector, Relay	1
7B	AC201-931Lock, Connector, Relay	1
8	AC201-106Breaker, Circuit, 30 Amp, Manual Reset	1
9	68-62908-00Buss Bar	1
10	AC201-105Breaker, Circuit, 20 Amp, Manual Reset	2

5.35 CONTROL PANEL, TOTAL CONTROL, GEN V (OPTIONAL)



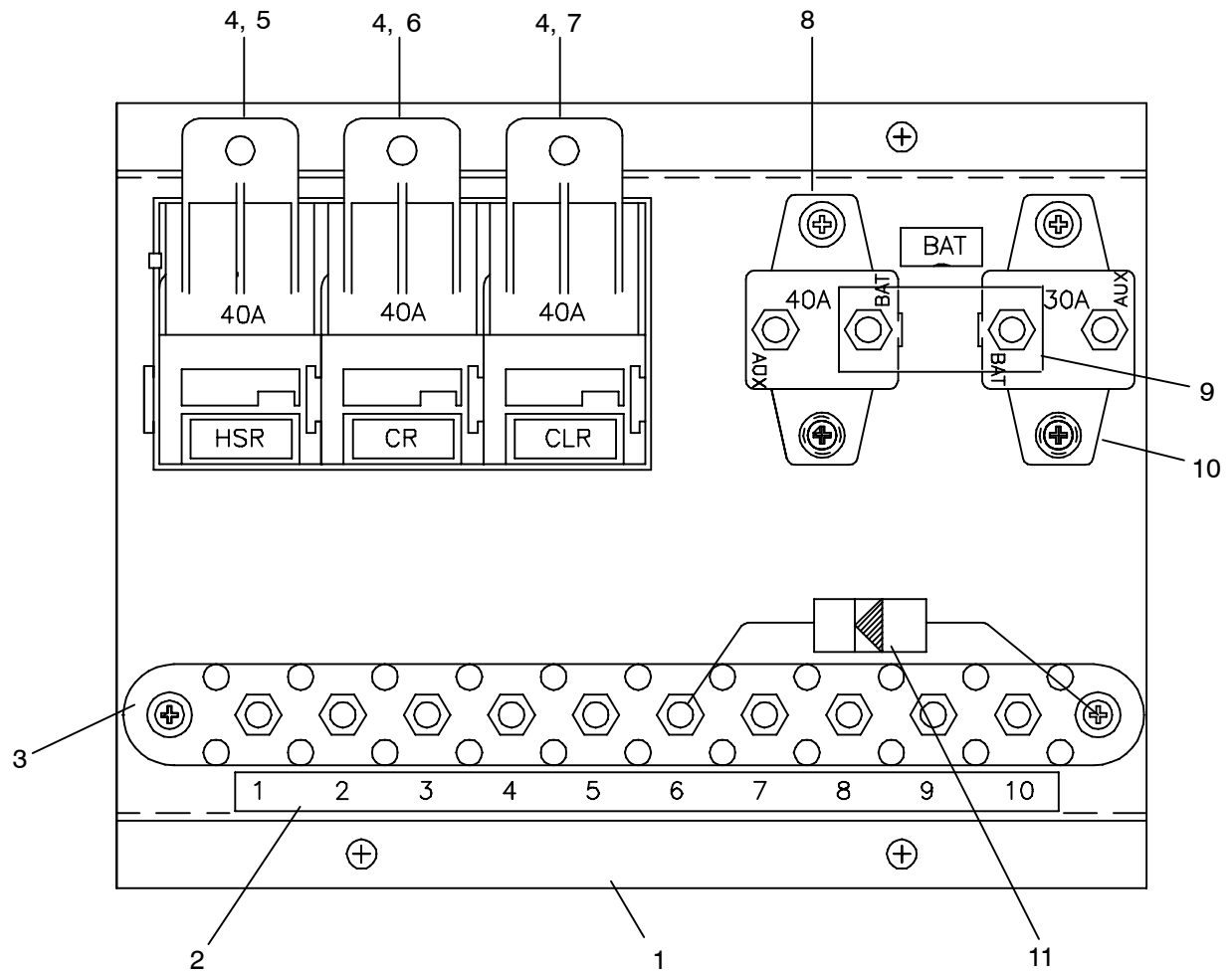
Item	Part Number	Description	Qty
-	91-62028-00	Assembly Panel, Total Control, EM-1, (GenV) Shown Above, Includes:	1
1	12-00567-00Module, Logic	1
2	AC201-112Breaker, Circuit, 40 Amp,	1
3	AC021-156 Buss Bar	1
4	AC201-107Breaker, Circuit, 50 Amp	1
5	22-01334-07Board, Terminal, 10 position	1
6	10-00444-00Relay, Filter, PWM, (Pulse With Modulation)	1
7	AC201-806Relay, 30 Amp, (Condenser & High Speed)	2
8	AC201-922Connector/Lock Assembly, Relay, With Wiring (HSR) - Includes:	1
8A	AC201-901Connector, Relay	1
8B	AC201-931Lock, Connector, Relay	1
9	22-62238-02Connector/Lock Assembly, Relay, With Wiring (CR) - Includes:	1
9A	AC201-901Connector, Relay	1
9B	AC201-931Lock, Connector, Relay	1
10	68-62923-00Channel, Mounting, Control Panel	1

5.36 CONTROL PANEL, EM WITH CM, 12VDC, GEN V



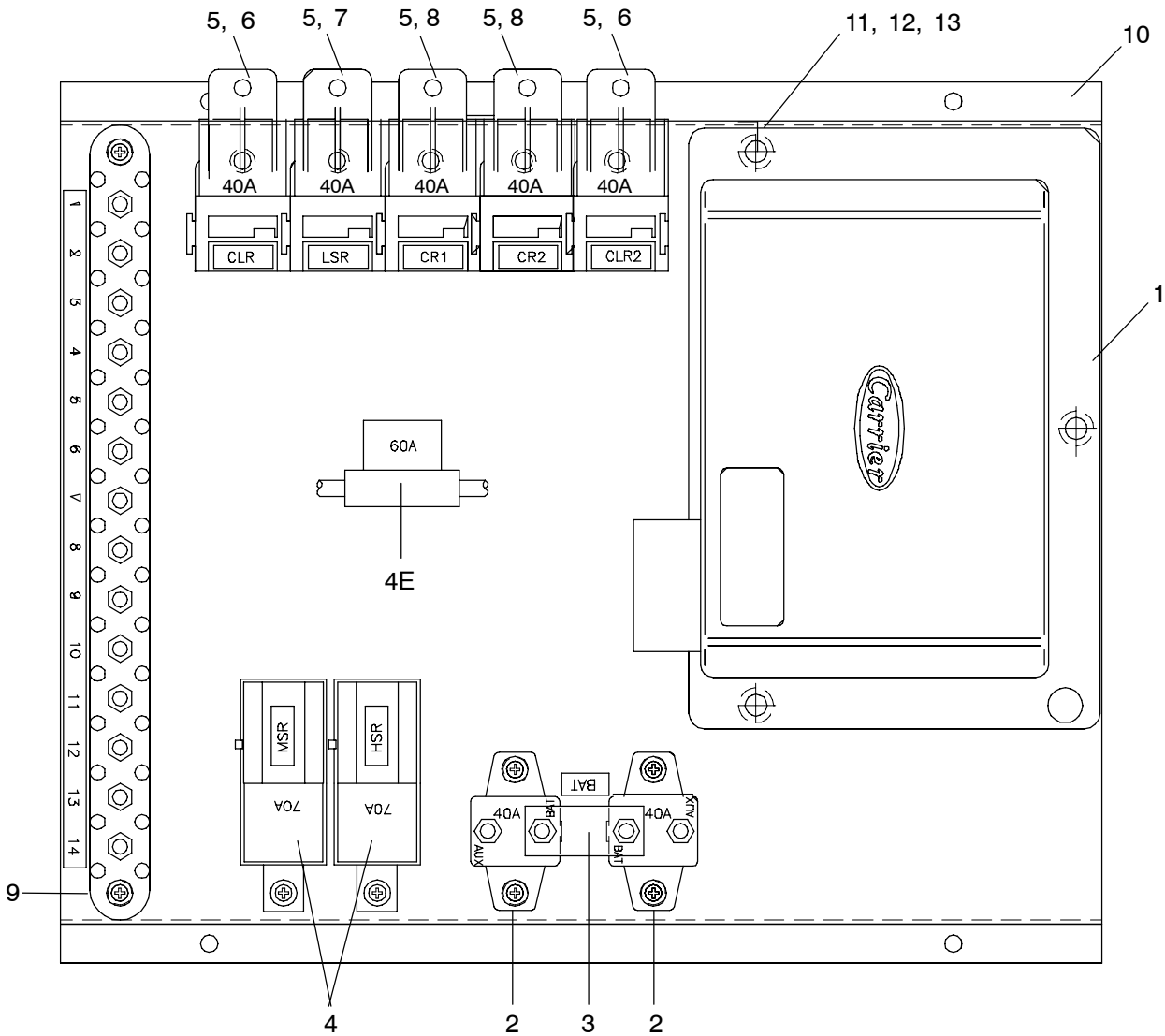
Item	Part Number	Description	Qty
-	91-62030-00	Panel Assy., Electrical, EM With CM, GEN V, 12 VDC, (Above). Includes:	1
1	AC010-218Channel, Mounting, Electrical Components	1
2	AC901-514Label, Terminal Board, 10 Position	1
3	22-01334-07Board, Terminal, 10 position	1
4	10-00286-14Relay, 50 Amp, 12 VDC	3
5	AC201-922Connector/Lock Assembly, Relay, With Wiring (HSR) - Includes:	1
5A	AC201-901Connector, Relay	1
5B	AC201-931Lock, Connector, Relay	1
6	22-62238-02Connector/Lock Assembly, Relay, With Wiring (CR) - Includes:	1
6A	AC201-901Connector, Relay	1
6B	AC201-931Lock, Connector, Relay	1
7	22-62238-03Connector/Lock Assembly, Relay, With Wiring (CLR) - Includes:	1
7A	AC201-901Connector, Relay	1
7B	AC201-931Lock, Connector, Relay	1
8	AC201-112Breaker, Circuit, 40 Amp, Manual Reset	1
9	AC021-156Buss Bar	1
10	AC201-107Breaker, Circuit, 50 Amp, Manual Reset	1
11	AC201-600Diode, 6 Amp, 200 VDC	1

5.37 CONTROL PANEL, EM WITH CM, 24VDC, GEN V



Item	Part Number	Description	Qty
-	91-62031-00	Panel Assembly, Electrical, EM With CM, 24 VDC, (Above), Includes:	1
1	AC010-218Channel, Mounting, Electrical Components	1
2	AC901-514Label, Terminal Board, 10 Position	1
3	22-01334-07Board, Terminal, 10 position	1
4	10-00286-09Relay, 40 Amp, 24 VDC	3
5	AC201-922Connector/Lock Assembly, Relay, With Wiring (HSR) - Includes:	1
5A	AC201-901Connector, Relay	1
5B	AC201-931Lock, Connector, Relay	1
6	22-62238-02Connector/Lock Assembly, Relay, With Wiring (CR) - Includes:	1
6A	AC201-901Connector, Relay	1
6B	AC201-931Lock, Connector, Relay	1
7	22-62238-03Connector/Lock Assembly, Relay, With Wiring (CLR) - Includes:	1
7A	AC201-901Connector, Relay	1
7B	AC201-931Lock, Connector, Relay	1
8	AC201-112Breaker, Circuit, 40 Amp, Manual Reset	1
9	AC021-156Buss, Bar	1
10	AC201-106Breaker, Circuit, 30 Amp, Manual Reset	1
11	AC201-600Diode, 6 Amp, 200 VDC	1

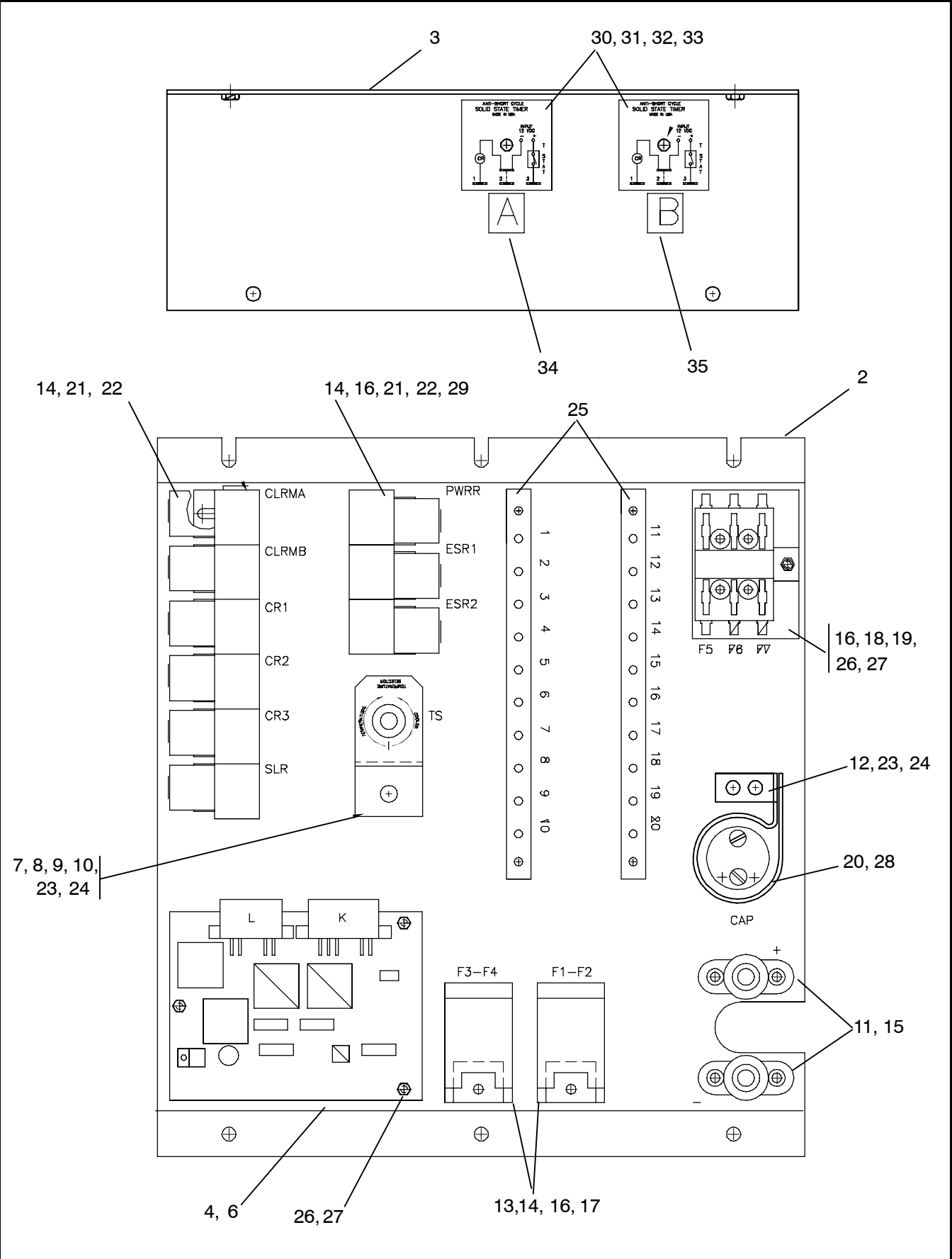
5.38 PANEL ASSEMBLY, TOTAL CONTROL, EM-3, GEN 4



Item	Part Number	Description	Qty
-	91-62032-00	Panel Assembly, Total Control, EM-1, (GenV) Shown Above, Includes:	1
1	12-00567-00	...Module, Logic	1
2	AC201-112	...Breaker, Circuit, 40 Amp, Manual Reset	2
3	AC021-156	...Buss Bar	1
4	22-62210-01	...Relay/Connector Assembly, With Wiring & Fuse - Includes:	1
4A	10-00328-00Relay, 70 Amp, 12 VDC	1
4B	22-62210-03Connector/Wiring/Fuse Holder Assembly - Includes:	1
4C	22-50078-18Connector, Relay	1
4D	22-62110-00Holder, Fuse, Inline, With Cover	1
4E	22-02336-17Fuse, 60 Amp	1
4F	AC901-513Label, HSR (High Speed Relay)	1
5	AC201-806	...Relay, 40 Amp, 12 VDC	5
6	22-62238-02	...Connector/Lock Assembly, Relay, With Wiring (CLR) - Includes:	2
6A	AC201-901Connector, Relay	1

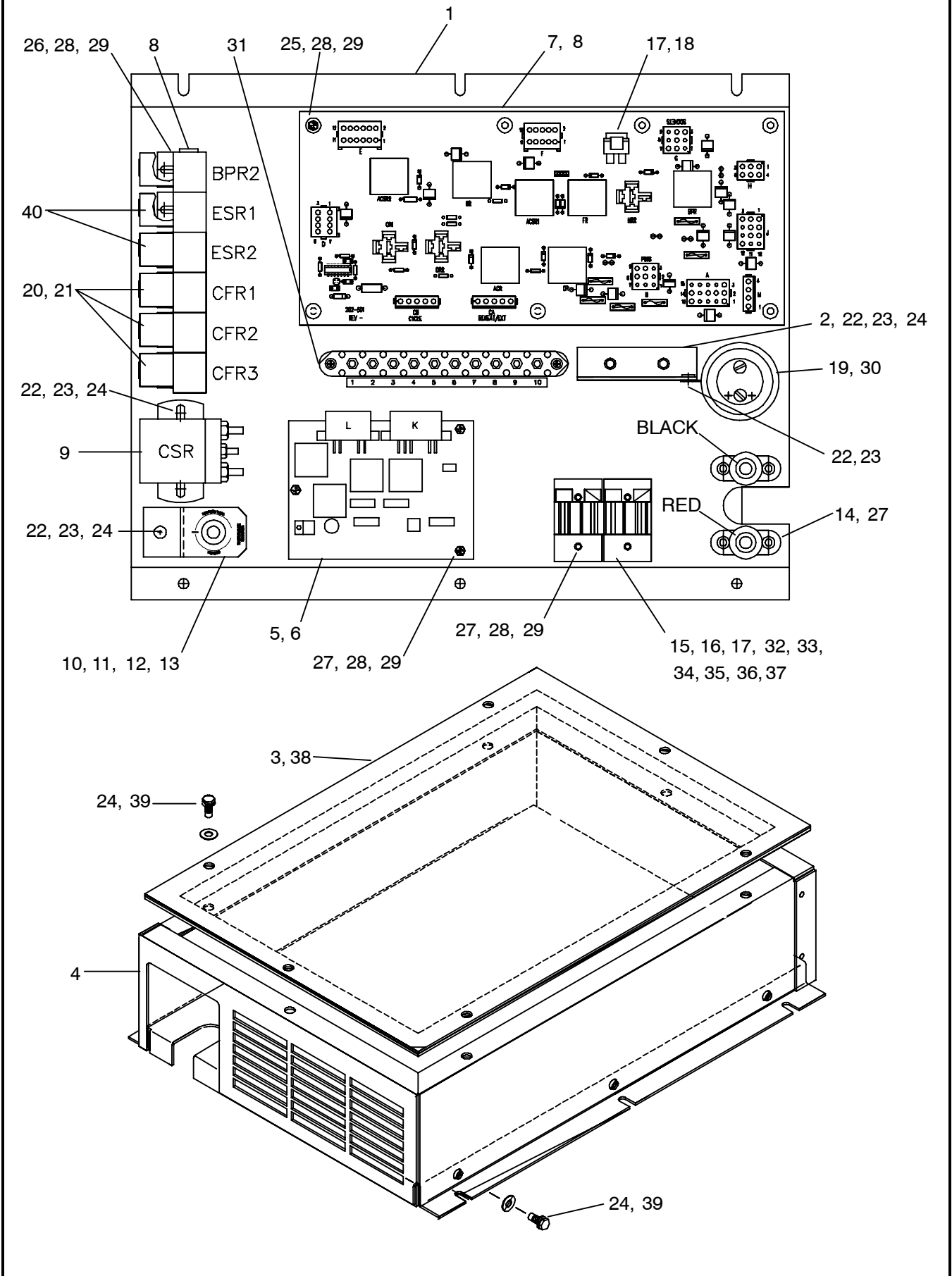
5.38 CONTROL ELECTRICAL PANEL, TOTAL CONTROL, EM-3, (GEN 4) - Continued:			
Item	Part Number	Description	Qty
6B	AC201-931Lock, Connector, Relay	1
7	22-62238-01	...Connector/Lock Assembly, Relay, With Wiring (LSR) - Includes:	1
7A	AC201-901Connector, Relay	1
7B	AC201-931Lock, Connector, Relay	1
8	22-62238-02	...Connector/Lock Assembly, Relay, With Wiring (CR) - Includes:	2
8A	AC201-901Connector, Relay	1
8B	AC201-931Lock, Connector, Relay	1
9	22-01334-11	...Board, Terminal, 14 Position	1
10	68-62969-00	...Channel, Mounting, Electrical Panel	1
11	34-00655-06	...Bolt, Hex Head, 1/4-20 X 3/4 Inch	3
12	34-00663-11	...Washer, Split Lock, 1/4 Inch	3
13	34-00662-11	...Washer, Flat, 1/4 Inch	3

5.39 CONTROL PANEL, EM-17 SPLIT, KR-4D, (24 VDC)



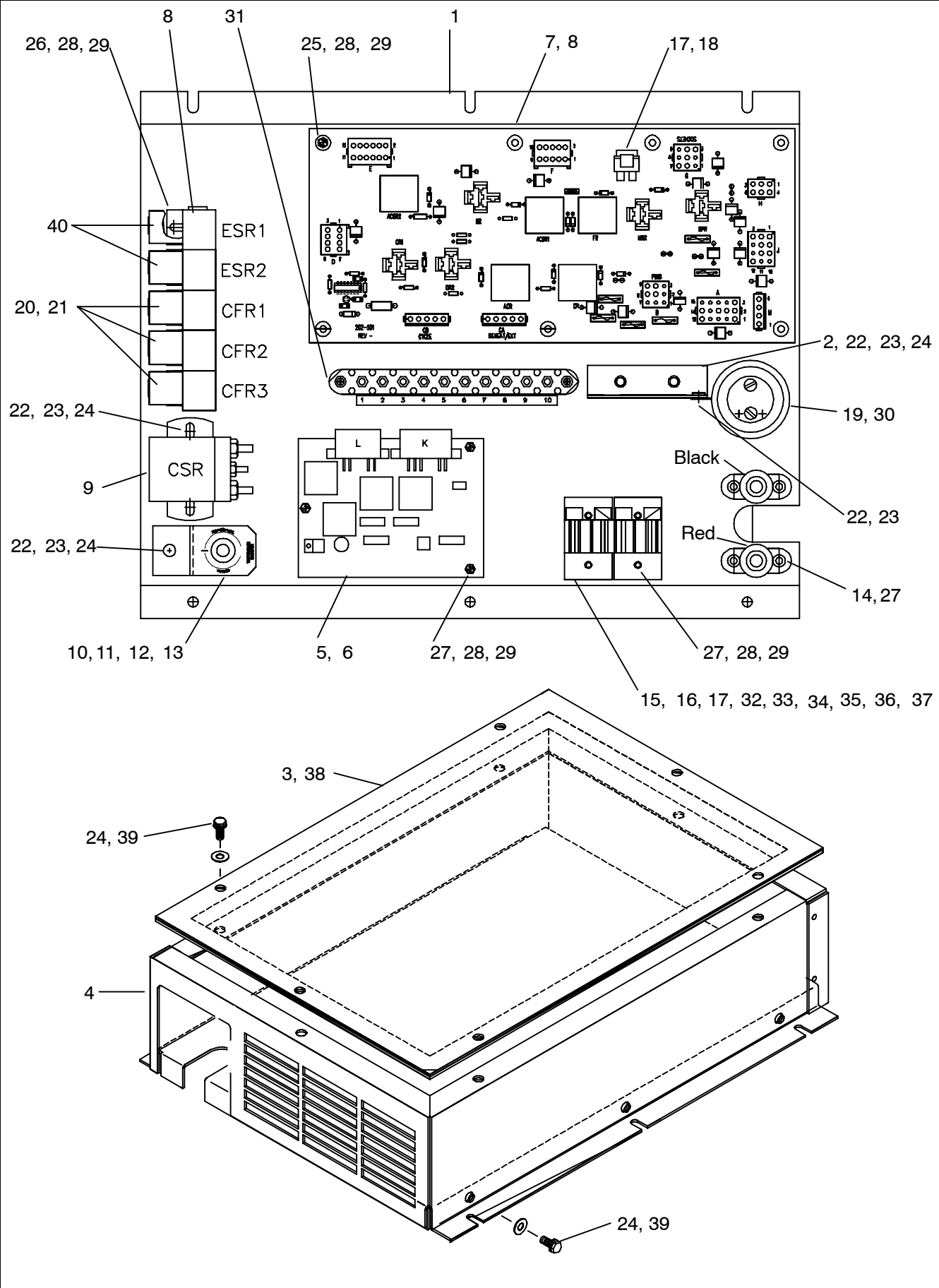
5.39 CONTROL PANEL, EM-17 SPLIT, KR-4D, (24 VDC) - Continued:			
Item	Part Number	Description	Qty
1	91-62035-00	Assembly Panel, EM-17 Split, KR-4D, (24 VDC) - (Above), Includes:	1
2	68-62292-00Panel, Control, EM-17 Split, (Painted)	1
N/S	68-62293-00Panel, Cover, EM-17 Electrical Panel, (Painted)	1
3	68-62294-00Bracket, Electrical Panel, EM-17, (Painted)	1
4	12-00657-00Controller, Temp-4 Relay, W/O Box - Includes:	1
5	10-00286-09Relay, SPDT, 40Amp, 24V	4
6	AC201-508Return Air Probe	1
7	68RM55-1031Label, Temperature selector	1
8	10-00311-00Temperature Selector	1
9	10-00312-00Knob, Temperature Selector	1
10	68RM35-1098PPlate, Switch, New Flyer, (Painted)	1
11	22-50098-91AStud-Type, Junction Block, (3/8-16)	2
12	68-62297-00Bracket, Capacitor, (Painted)	1
13	22-01828-00Fuse Holder (For 22-02336-16)	4
14	66U1-5371Screw, Hex head Slotted, #08-32 X 1/2 Inch, Stainless Steel	11
15	34-06132-02Screw, pan Head, Phillips, #08-32 X 1/2 Inch, Plated	4
16	34-00662-08Washer, Flat, #08 Stainless Steel	18
17	22-02336-16Fuse, 40 Amp, (Use With Fuse Holder 22-01828-00)	4
18	22-01827-01Fuse Holder, 6 PC. Common Ground, (For AC201-123)	1
19	22-02336-06Fuse, 15 Amp, (ATC)	3
20	AC201-634Capacitor, 50 VDC, 18,000 Micro F.	1
21	AC201-901Connector, Relay Socket	10
22	AC201-931Lock, Packard Connector	10
23	34-00655-04Bolt, Hex Head, 1/4-20 X 1/2 Inch, Stainless Steel	14
24	34-00663-11Washer, Split-Lock, 1/4 Inch, Stainless Steel	14
25	22-01334-07Terminal Board, 10 Position	2
26	66U1-5371-12Screw, Hex Head, Slotted, #08-32 X 1 Inch, Stainless Steel	7
27	34-00663-08Washer, Split-Lock, #8 Stainless Steel	7
28	AC701-228Clamp, Insulated, 1-7/8 Inch	1
29	10-00286-03Relay, 12 VDC, 30 Amp	3
30	10-00436-01Lockout, Timer, 24 VDC	2
31	34-00662-11Washer, Flat, 1/4 Inch, Stainless Steel	4
32	34-00655-10Bolt, Hex Head, 1/4-20 X 1-1/4 Inch, Stainless Steel	2
33	34-00361-11Nut, Hex, Lock, (ESNA), 1/4-20 Stainless Steel	2
34	62-62030-00Label, A	1
35	62-62030-01Label, B	1
N/S	AC701-300Tyrap, 6 Inch, White	30

5.40 CONTROL PANEL, EM-17 & CM-5, (WITH HEAT)



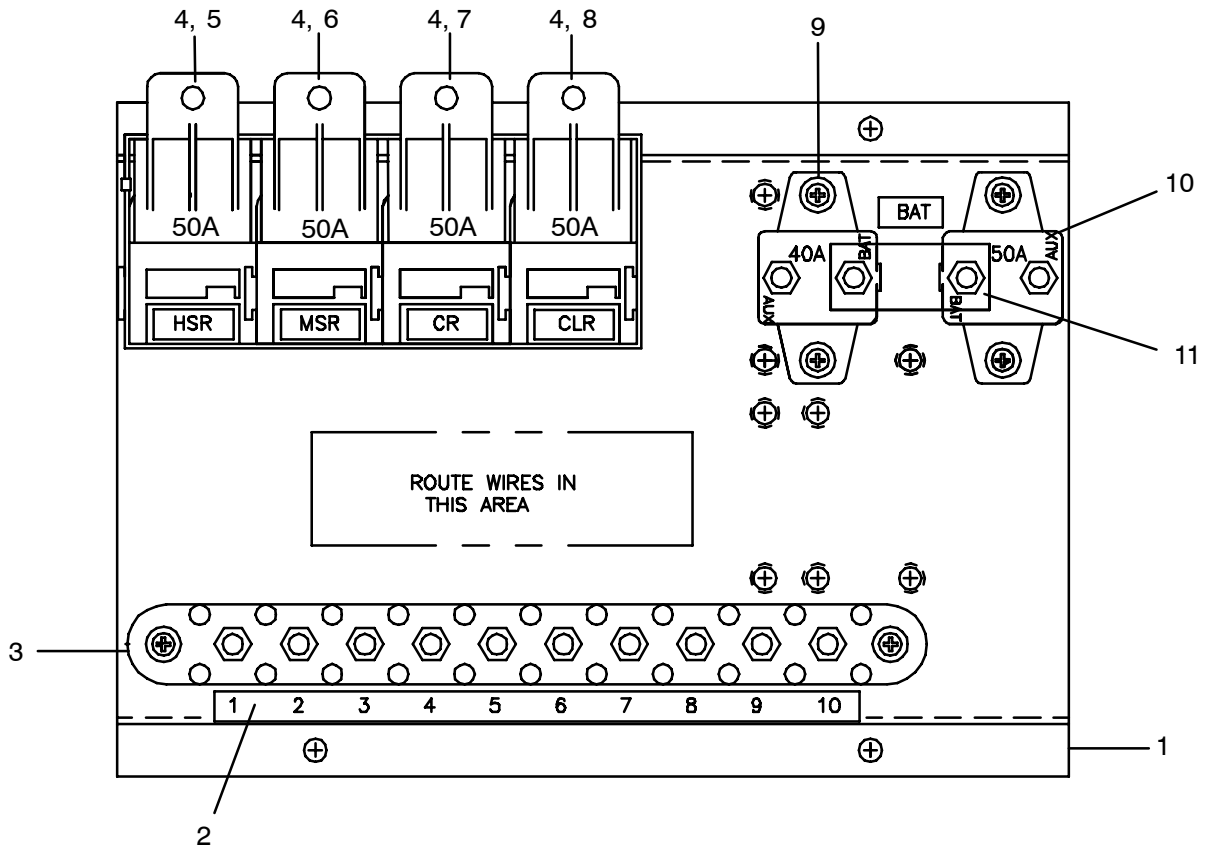
5.40 CONTROL PANEL, EM-17 & CM-5, (WITH HEAT) - Continued:			
Item	Part Number	Description	Qty
-	91-62011-01	Assembly, Panel, EM-17 With CM-5, (With Heat), Above, Includes:	1
1	68-62088-00Panel, Control, EM-17, (Painted)	1
2	68-62417-00Bracket, Electrical Panel, EM-17, (Painted)	1
3	68-62569-00PLate, EM-17 Control Box	1
4	79-62027-00Assembly, Panel, EM-17 Control Box, (Painted)	1
5	12-00657-00Controller, Temp-4 Relay, W/O Box - Includes:	1
5A	10-00286-09Relay, Single Pole, Double Throw, (24 VDC)	4
6	AC201-508Return Air Probe	1
7	AC202-501Relay Board, Fused	1
8	10-00286-09Relay, Single Pole, Double Throw, (24 VDC)	13
9	10-00300-02Solenoid, Normally Open (N.O.), 28 VDC	1
10	68RM55-1031Label, Temperature selector	1
11	10-00311-00Temperature Selector	1
12	10-00312-00Knob, Temperature Selector	1
13	68RM35-1098PPlate, Switch, New Flyer, (Painted)	1
14	10-50052-00Junction Block, Stud-Type, (3/8-16) Black	1
	10-50052-01Junction Block, Stud-Type, (3/8-16) Red	1
15	22-02336-16Fuse, 40 Amp, (Use With Fuse Holder 22-01828)	2
16	22-02336-17Fuse, 60 Amp, (Use With Fuse Holder 22-01828)	1
17	22-02336-06Fuse, 15 Amp, (ATC)	6
18	22-01449-00Clip, Fuse	1
19	AC201-634Capacitor, 50 VDC, 18,000 Micro F.	1
20	AC201-901Connector, Relay Socket	4
21	AC201-931Lock, Packard Connector	4
22	34-00655-04Bolt, Hex Head, 1/4-20 X 1/2 Inch, Stainless Steel	6
23	34-00663-11Washer, Split-Lock, 1/4 Inch, Stainless Steel	6
24	34-00662-11Washer, Flat, 1/4 Inch, Stainless Steel	18
25	66U1-5371-12Screw, Hex Head, Slotted, #08-32 X 1 Inch, Stainless Steel	10
26	66U1-5371Screw, Hex Head, Slotted, #08-32 X 1/2 Inch, Stainless Steel	6
27	AC54AB102Screw, pan Head, Phillips, #08-32 X 1/2 Inch, Plated	8
28	34-00663-08Washer, Split-Lock, #8 Stainless Steel	20
29	34-00662-08Washer, Flat, #08 Stainless Steel	20
30	AC701-228Clamp, Insulated, 1-7/8 Inch	1
31	22-01334-07Terminal Board, 10 Position	1
32	22-62036-00Fuse Holder, 7 Position	1
33	22-62037-00Maxifuse Holder, 4 Position	1
34	22-62038-00Mounting Bracket, (Fuse Holder)	2
35	22-62039-01Secondary Lock, (22-62036-00)	12
36	22-62039-02Secondary Lock, (22-62037-00)	6
37	22-62040-00Locking Wedge, (Fuse Holder)	2
38	42-62021-00Gasket, Plate, EM-17 Control Box	1
39	34-50040-00Bolt, Hex With Split Lock washer, 1/4-20 X 5/8 Inch, Stainless Steel	12
N/S	AC701-300Tyrap, 6 Inch, White	30
40	22-62216-00Connector/Lock Assembly, RElay, With Wiring (ESR) - Includes:	2
40A	AC201-901Connector, Relay	1
40B	AC201-931Lock, Connector, Relay	1

5.41 CONTROL PANEL, EM-17 & CM-5



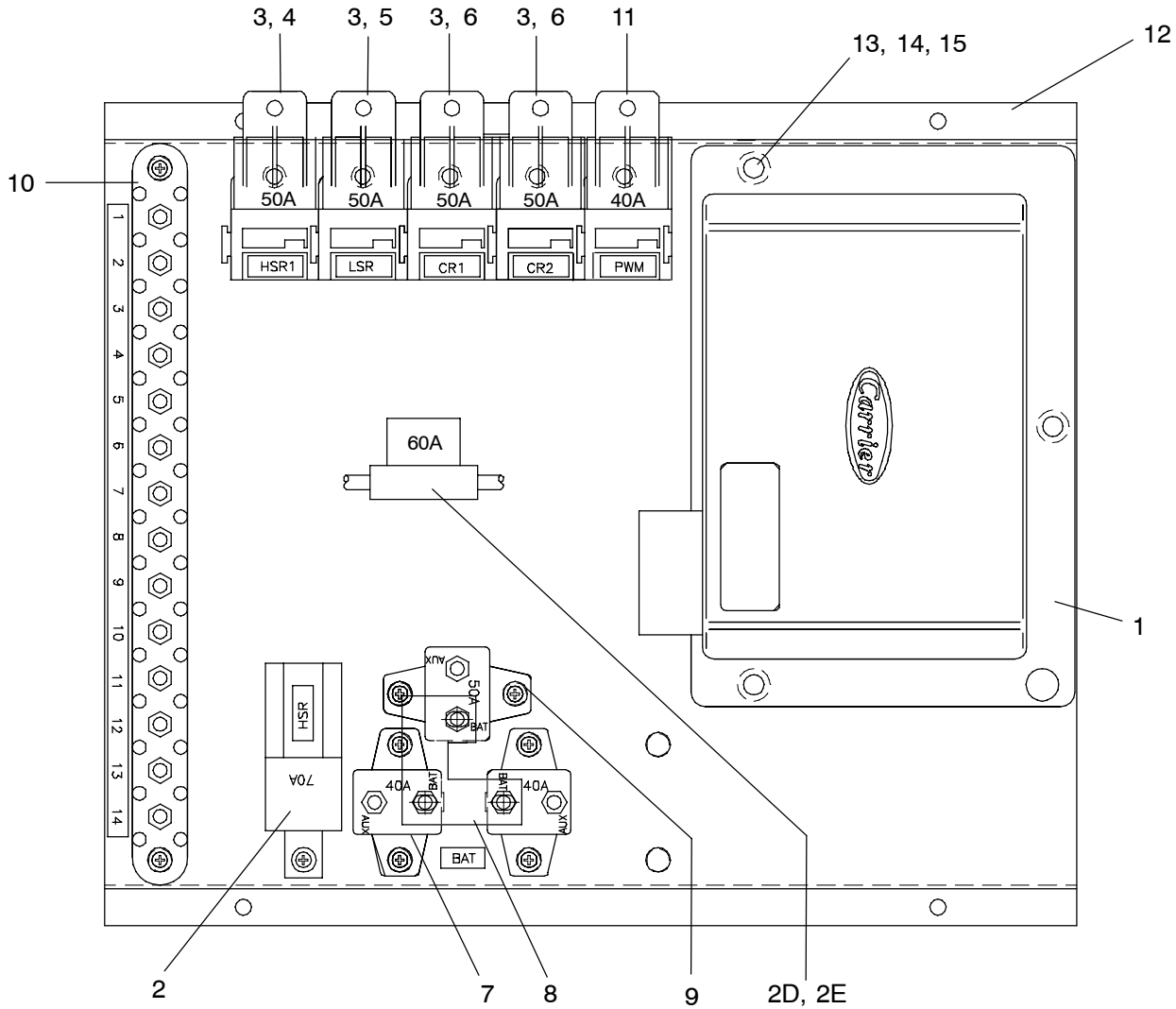
5.41 CONTROL PANEL, EM-17 & CM-5 - Continued:			
Item	Part Number	Description	Qty
-	91-62011-00	Assembly, Panel, EM-17 With CM-5, Shown Above, Includes:	1
1	68-62088-00Panel, Control, EM-17, (Painted)	1
2	68-62417-00Bracket, Electrical Panel, EM-17, (Painted)	1
3	68-62569-00PLate, EM-17 Control Box	1
4	79-62027-00Assembly, Panel, EM-17 Control Box, (Painted)	1
5	12-00657-00Controller, Temp-4 Relay, W/O Box - Includes:	1
5A	10-00286-09Relay, Single Pole, Double Throw, (24 VDC)	4
6	AC201-508Return Air Probe	1
7	AC202-501Relay Board, Fused	1
8	10-00286-09Relay, Single Pole, Double Throw, (24 VDC)	10
9	10-00300-02Solenoid, Normally Open (N.O.), 28 VDC	1
10	68RM55-1031Label, Temperature selector	1
11	10-00311-00Temperature Selector	1
12	10-00312-00Knob, Temperature Selector	1
13	68RM35-1098PPlate, Switch, New Flyer, (Painted)	1
14	10-50052-00Junction Block, Stud-Type, (3/8-16) Black	1
	10-50052-01Junction Block, Stud-Type, (3/8-16) Red	1
15	22-02336-16Fuse, 40 Amp, (Use With Fuse Holder 22-01828)	2
16	22-02336-17Fuse, 60 Amp, (Use With Fuse Holder 22-01828)	1
17	22-02336-06Fuse, 15 Amp, (ATC)	6
18	22-01449-00Clip, Fuse	1
19	AC201-634Capacitor, 50 VDC, 18,000 Micro F.	1
20	AC201-901Connector, Relay Socket	3
21	AC201-931Lock, Packard Connector	3
22	34-00655-04Bolt, Hex Head, 1/4-20 X 1/2 Inch, Stainless Steel	6
23	34-00663-11Washer, Split-Lock, 1/4 Inch, Stainless Steel	6
24	34-00662-11Washer, Flat, 1/4 Inch, Stainless Steel	18
25	66U1-5371-12Screw, Hex Head, Slotted, #08-32 X 1 Inch, Stainless Steel	10
26	66U1-5371Screw, Hex Head, Slotted, #08-32 X 1/2 Inch, Stainless Steel	5
27	AC54AB102Screw, pan Head, Phillips, #08-32 X 1/2 Inch, Plated	8
28	34-00663-08Washer, Split-Lock, #8 Stainless Steel	19
29	34-00662-08Washer, Flat, #08 Stainless Steel	19
30	AC701-228Clamp, Insulated, 1-7/8 Inch	1
31	22-01334-07Terminal Board, 10 Position	1
32	22-62036-00Fuse Holder, 7 Position	1
33	22-62037-00Maxifuse Holder, 4 Position	1
34	22-62038-00Mounting Bracket, (Fuse Holder)	2
35	22-62039-01Secondary Lock, (22-62036-00)	12
36	22-62039-02Secondary Lock, (22-62037-00)	6
37	22-62040-00Locking Wedge, (Fuse Holder)	2
38	42-62021-00Gasket, Plate, EM-17 Control Box	1
39	34-50040-00Bolt, Hex With Split Lock washer, 1/4-20 X 5/8 Inch, Stainless Steel	12
N/S	AC701-300Tyrap, 6 Inch, White	30
40	22-62216-00Connector/Lock Assembly, Relay, With Wiring (ESR) - Includes:	2
40A	AC201-901Connector, Relay	1
40B	AC201-931Lock, Connector, Relay	1

5.42 PANEL, CONTROL, 3-SPEED OPTION, (GEN 5)



5.43 PANEL, CONTROL, 3-SPEED OPTION, (GEN 5) - Continued:			
Item	Part Number	Description	Qty
-	91-62040-00	Panel Assembly, Electrical, 3-Speed Option, Gen V, - Includes:	1
1	AC021-155Channel, Mounting, Electrical Components	1
2	AC901-514Label, Terminal Board, 10 Position	1
3	22-01334-07Board, Terminal, 10 Position	1
4	10-00286-14Relay, 50 Amp, 12 VDC	4
5	AC201-922Connector/Lock Assembly, Relay, With Wiring (HSR) - Includes:	1
5A	AC201-901Connector, Relay	1
5B	AC201-931Lock, Connector, Relay	1
6	22-62238-00Connector/Lock Assembly, Relay, With Wiring (MSR) - Includes:	2
6A	AC201-901Connector, Relay	1
6B	AC201-931Lock, Connector, Relay	1
7	22-62238-02Connector/Lock Assembly, Relay, With Wiring (CR) - Includes:	2
7A	AC201-901Lock, Connector, Relay	1
7B	AC201-931Lock, Connector, Relay	1
8	22-62238-03Connector/Lock Assembly, Relay, With Wiring (CLR) - Includes:	2
8A	AC201-901Lock, Connector, Relay	1
8B	AC201-931Lock, Connector, Relay	1
9	AC201-112Breaker, Circuit, 40 Amp, Manual Reset	1
10	AC201-107Breaker, Circuit, 50 Amp, Manual Reset	1
11	AC021-156Buss Bar	1

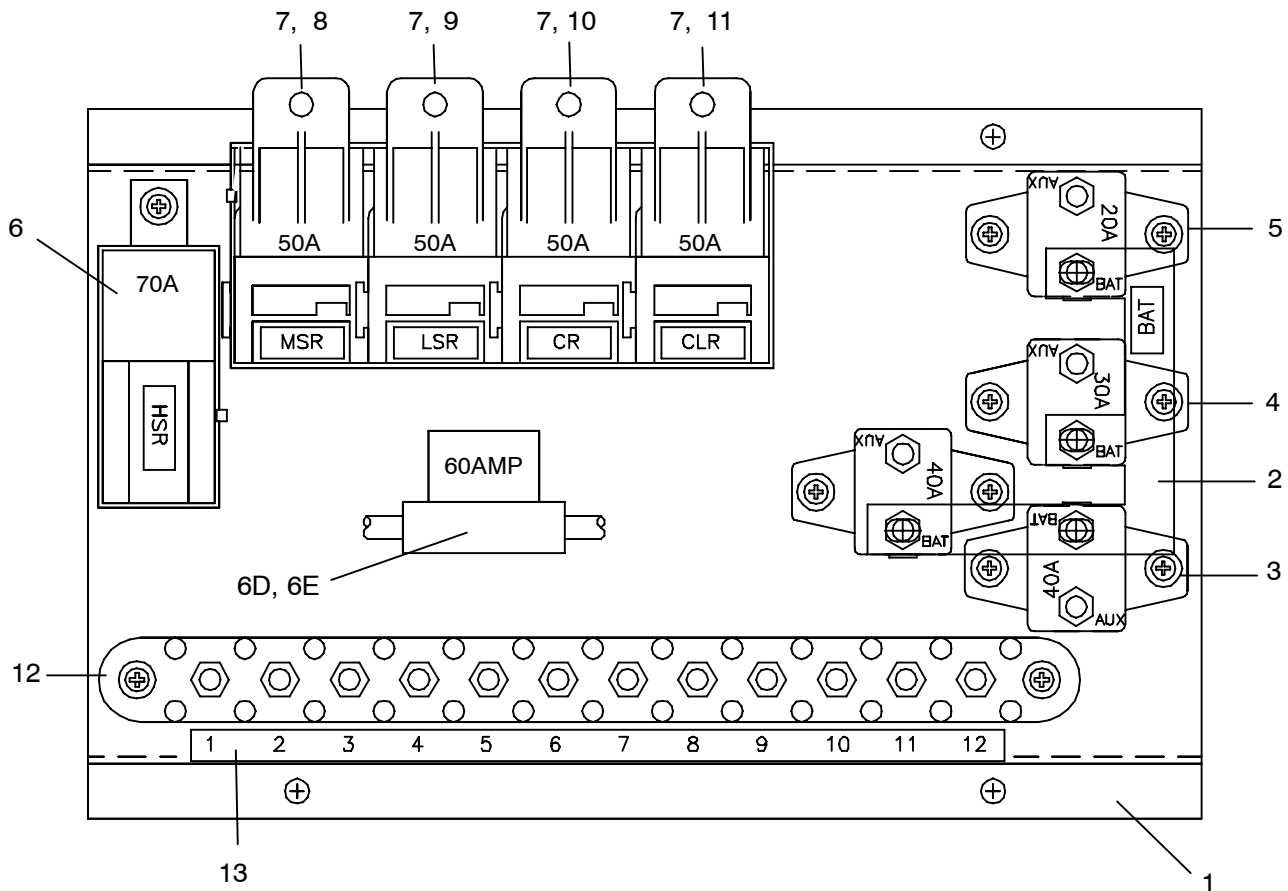
5.44 PANEL ASSEMBLY, (GEN 5), EM-3, TOTAL CONTROL



Item	Part Number	Description	Qty
-	91-62041-00	Panel Assembly, Total Control, EM-3, (GenV) Shown Above, Includes:	1
1	12-00567-00	...Module, Logic	1
2	22-62210-01	...Relay/Connector Assembly, With Wiring & Fuse - Includes:	1
2A	10-00328-00Relay, 70 Amp, 12 VDC	1
2B	22-62210-03Connector/Wiring/Fuse Holder Assembly - Includes:	1
2C	22-50078-18Connector, Relay	1
2D	22-62110-00Holder, Fuse, Inline, With Cover	1
2E	22-02336-17Fuse, 60 AMP	1
2F	AC901-513Label, HSR (High Speed Relay)	1
3	10-00286-14	...Relay, 50 Amp	4
4	AC201-922	...Connector/Lock Assembly, Relay, With Wiring (HSR) - Includes:	1
4A	AC201-901Connector, Relay	1
4B	AC201-931Lock, Connector, Relay	1
5	22-62238-01	...Connector/Lock Assembly, Relay, With Wiring (LSR) - Includes:	2
5A	AC201-901Connector, Relay	1
5B	AC201-931Lock, Connector, Relay	1

5.44 PANEL ASSEMBLY, (GEN 5), EM-3, TOTAL CONTROL - Continued:			
Item	Part Number	Description	Qty
6	22-62238-02	...Connector/Lock Assembly, Relay, With Wiring (CR) - Includes:	2
6A	AC201-931Lock, Connector, Relay	1
6B	AC201-931Lock, Connector, Relay	1
7	AC201-112	...Breaker, Circuit, 40 Amp, Manual Reset	2
8	68-62908-00	...Buss Bar	1
9	AC201-107	...Breaker, Circuit, 50 Amp, Manual Reset	1
10	22-01334-11	...Board, Terminal, 14 Position	1
11	10-00444-00	...Relay, Filter, PWM	1
12	68-62969-00	...Channel, Mounting, Electrical Panel	1
13	34-00655-06	...Bolt, Hex Head, 1/4-20 X 3/4 Inch	3
14	34-00663-11	...Washer, Split Lock, 1/4 Inch	3
15	34-00662-11	...Washer, Flat, 1/4 Inch	3

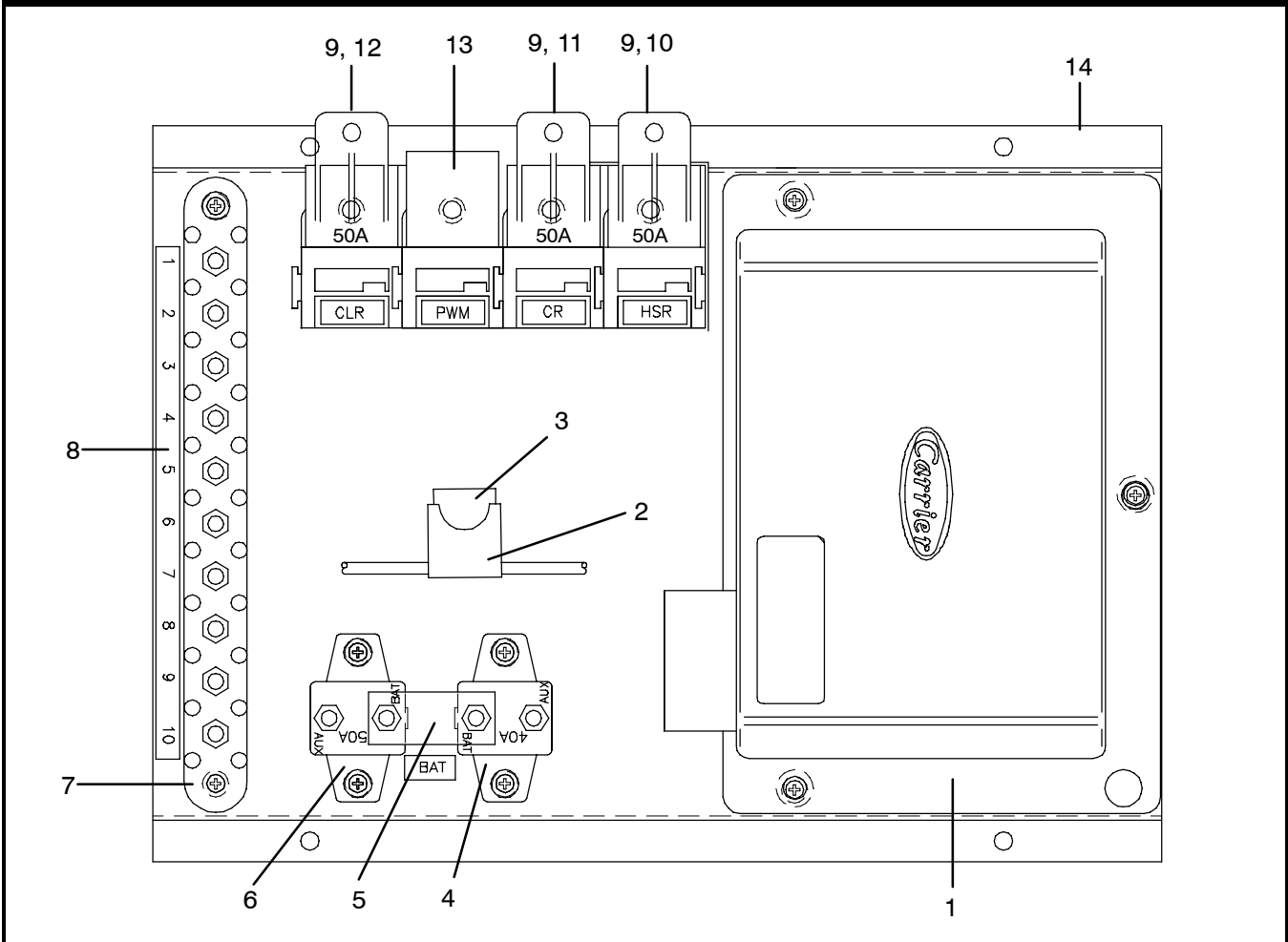
5.45 PANEL ASSEMBLY, ELECTRICAL, EM-3 WITH (1) CM, 3-SPEED OPTION, (GEN 5)



Item	Part Number	Description	Qty
-	91-62046-00	Panel Assembly, Electrical, EM-3 With (1) CM, GenV - Includes:	1
1	68-62828-00	...Channel, Mounting, Electrical Panel	1
2	68-62860-01	...Buss Bar	1
3	AC201-112	...Breaker, Circuit, 40 Amp, Manual Reset	2
4	AC201-106	...Breaker, Circuit, 30 Amp, Manual Reset	1
5	AC201-105	...Breaker, Circuit, 20 Amp, Manual Reset	1
6	22-62210-01	...Relay/Connector Assembly, With Wiring & Fuse - Includes:	1
6A	10-00328-00Relay, 70 Amp, 12 VDC	1
6B	22-62210-03Connector/Wiring?Fuse Holder Assembly - Includes:	1
6C	22-50078-18Connector, Relay	1
6D	22-62110-00Holder,Fuse, In-Line With Cover	1
6E	22-02336-17Fuse, 60 AMP	1
6F	AC901-513Label, HSR, (High Speed Relay)	1
7	10-00286-14	...Relay, 50 Amp, 12 VDC	4
8	22-62238-00	...Connector/Lock Assembly, Relay, With Wiring (MSR) - Includes:	1
8A	AC201-901Connector, Relay	1
8B	AC201-931Lock, Connector, Relay	1
9	22-62238-01	...Connector/Lock Assembly, Relay, With Wiring (LSR) - Includes:	1
9A	AC201-901Connector, Relay	1
9B	AC201-931Lock, Connector, Relay	1
10	22-62238-02	...Connector/Lock Assembly, Relay, With Wiring (CR) - Includes:	1

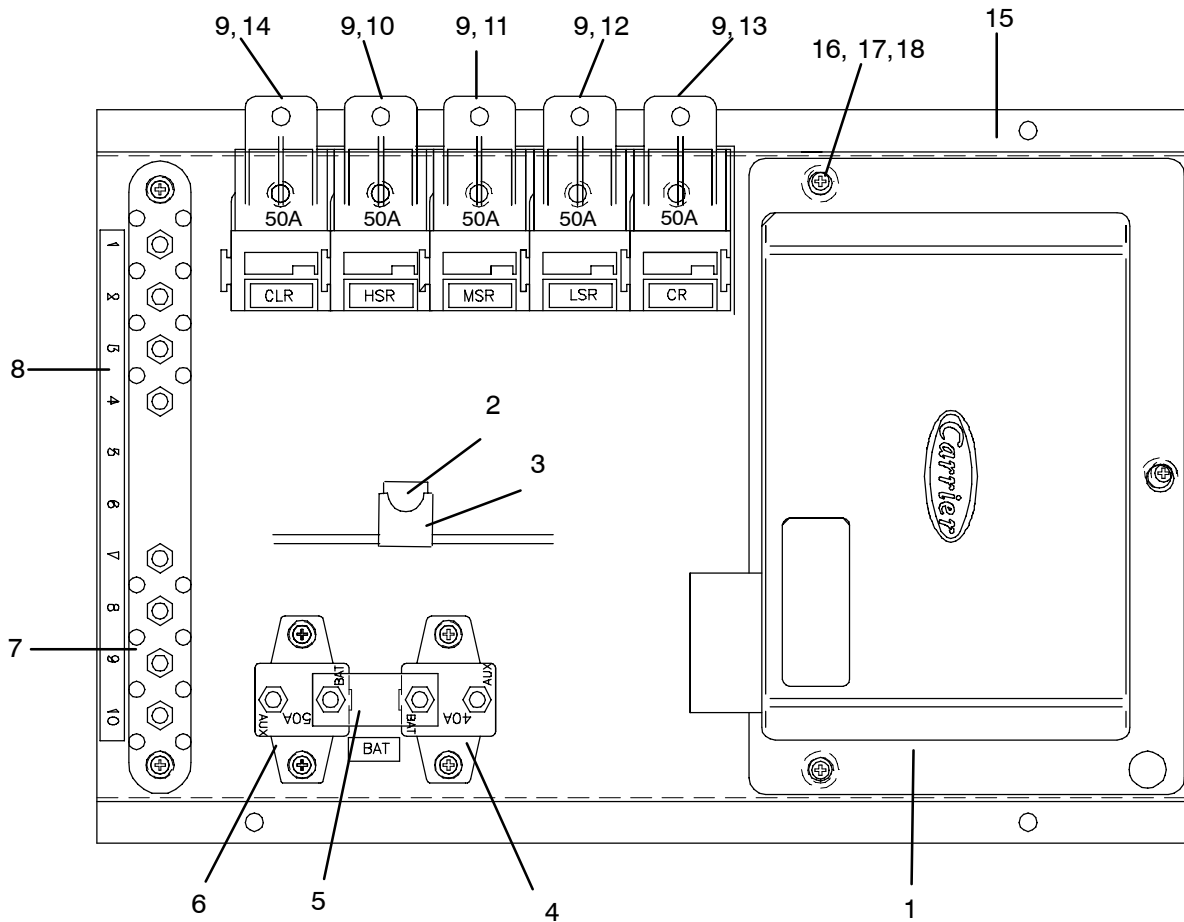
5.45 PANEL ASSEMBLY, ELECTRICAL, EM-3 WITH (1) CM, 3-SPEED OPTION, (GEN 5)			
Item	Part Number	Description	Qty
10A	AC201-901Connector, Relay	1
10B	AC201-931Lock, Connector, Relay	1
11	22-62238-03	...Connector/Lock Assembly, Relay, With Wiring (CLR) - Includes:	1
11A	AC201-901Connector, Relay	1
11B	AC201-931Lock, Connector, Relay	1
12	22-01334-09	...Board, Terminal, 12 Position	1
13	AC901-517	...Label, Terminal Board, 12 Position	1

5.46 CONTROL PANEL, GEN 5, TOTAL CONTROL



5.46 CONTROL PANEL, GEN 5, TOTAL CONTROL - Continued:			
Item	Part Number	Description	Qty
-	91-62047-00	Panel Assembly, Total Control, EM-1, (GenV) Shown Above, Includes:	1
1	12-00567-00Module, Logic	1
2	22-02338-02Fuse Holder, With Fuse (Includes Item 3)	1
3	22-02336-04Fuse, 5 AMP	1
4	AC201-112Breaker, Circuit, 40 Amp, Manual Reset	1
5	AC021-156Buss Bar	1
6	AC201-107Breaker, Circuit, 50 Amp, Manual Reset	1
7	22-01334-07Board, Terminal, 10 Position	1
8	AC901-514Label, Terminal Board, 10 Position	1
9	10-00286-14Relay, 50 Amp	3
10	AC201-922Connector/Lock Assembly, Relay, With Wiring (HSR) - Includes:	1
10A	AC201-901Connector, Relay	1
10B	AC201-931Lock, Connector, Relay	1
11	22-62238-02Connector/Lock Assembly, Relay, With Wiring (CR) - Includes:	1
11A	AC201-901Connector, Relay	1
11B	AC201-931Lock, Connector, Relay	1
12	22-62238-03Connector/Lock Assembly, Relay, With Wiring (CLR) - Includes:	1
12A	AC201-901Connector, Relay	1
12B	AC201-931Lock, Connector, Relay	1
13	10-00444-00Relay, Filter, PWM	1
14	68-62968-00Channel, Mounting, Electrical Panel	1

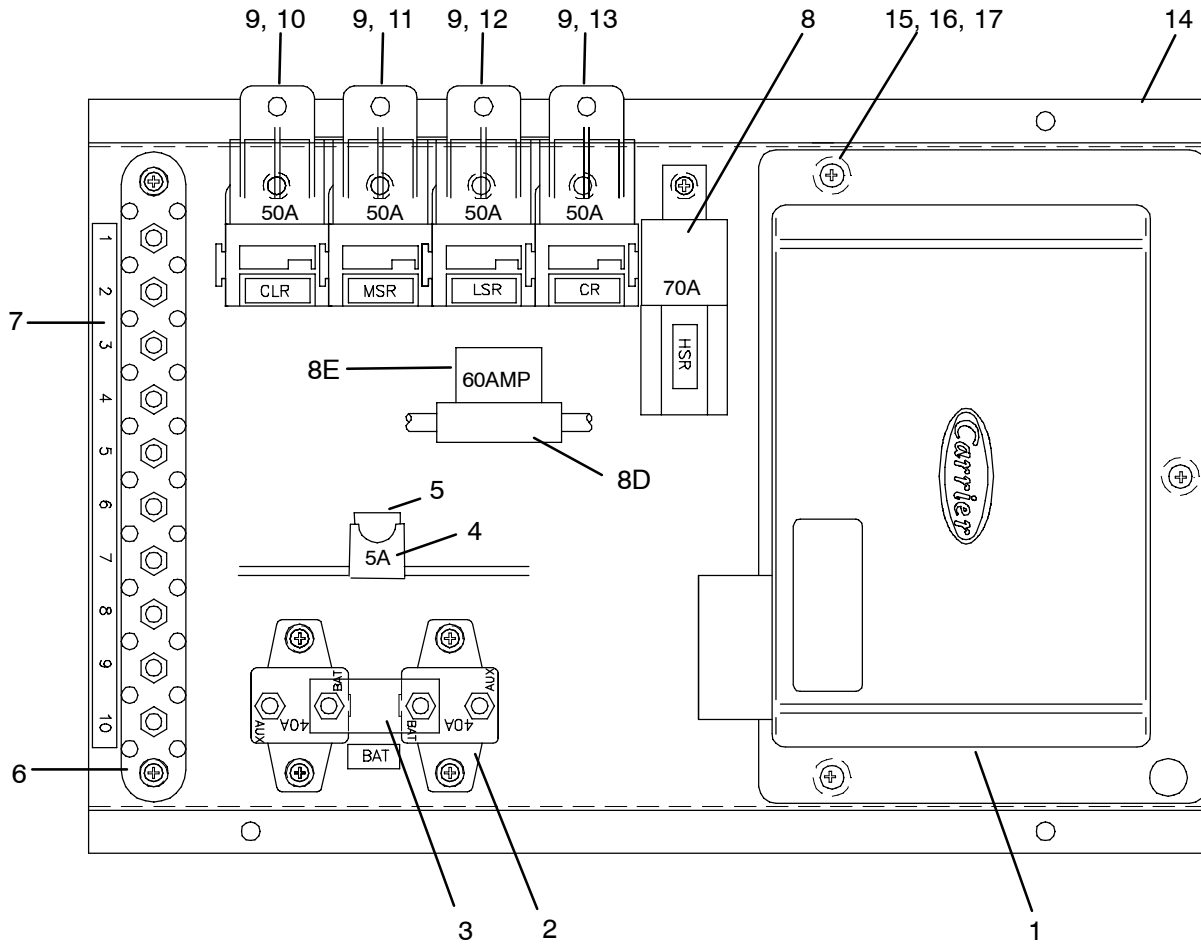
5.47 CONTROL PANEL, GEN 4, TOTAL CONTROL



Item	Part Number	Description	Qty
-	91-62048-00	Panel Assembly, Total Control, Gen 4, Shown Above, Includes:	1
1	12-00567-00Module, Logic	1
2	22-02338-02Fuse Holder, With Fuse, (Includes Item 3)	1
3	22-02336-02Fuse, 5 Amp	1
4	AC201-112Breaker, Circuit, 40 Amp, Manual Reset	1
5	AC021-156Buss Bar	1
6	AC201-107Breaker, Circuit, 50 Amp, Manual Reset	1
7	22-01334-07Board, Terminal, 10 Position	1
8	AC901-514Label, Terminal Board, 10 Position	1
9	10-00286-14Relay, 50 Amp	5
10	AC201-922Connector/Lock Assembly, Relay, With Wiring (HSR) - Includes:	1
10A	AC201-901Connector, Relay	1
10B	AC201-931Lock, Connector, Relay	1
11	22-62238-00Connector/Lock Assembly, Relay, With Wiring (MSR) - Includes:	1
11A	AC201-901Connector, Relay	1
11B	AC201-931Lock, Connector, Relay	1
12	22-62238-01Connector/Lock Assembly, Relay, With Wiring (LSR) - Includes:	1
12A	AC201-901Connector, Relay	1
12B	AC201-931Lock, Connector, Relay	1

5.47 CONTROL PANEL, GEN 4, TOTAL CONTROL - Continued:			
Item	Part Number	Description	Qty
13	22-62238-02Connector/Lock Assembly, Relay, With Wiring (CR) - Includes:	1
13A	AC201-901Connector, Relay	1
13B	AC201-931Lock, Connector, Relay	1
14	22-62238-03Connector/Lock Assembly, Relay, With Wiring (CLR) - Includes:	1
14A	AC201-901Connector, Relay	1
14B	AC201-931Lock, Connector, Relay	1
15	68-63262-00Channel, Mounting, Electrical Panel	1
16	34-00655-06Bolt, Hex Head, 1/4-20 X 3/4 Inch	3
17	34-00663-11Washer, Split Lock, 1/4 Inch	3
18	34-00662-11Washer, Flat, 1/4 Inch	3

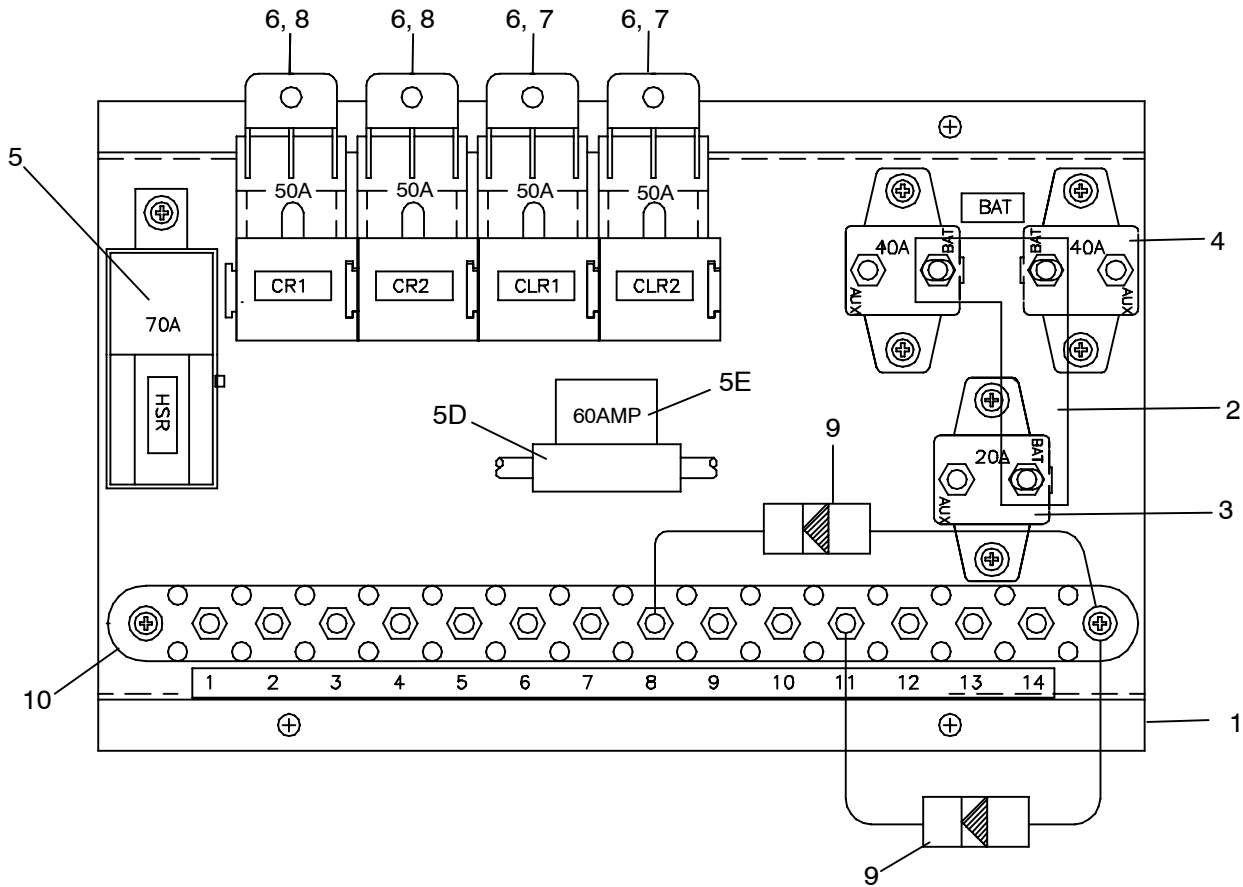
5.48 PANEL ASSEMBLY, GEN 4, TOTAL CONTROL, EM-3 WITH (1) CM



Item	Part Number	Description	Qty
-	91-62049-00	Panel Assembly, GEN 4, Total Control, EM-3 With (1) CM - Includes:	1
1	12-00567-00	...Module, Logic	1
2	AC201-112	...Breaker, Circuit, 40 Amp, Manual Reset	2
3	AC021-156	...Buss Bar	1
4	22-02338-02	...Fuse Holder, With Fuse (Includes Item 5)	1
5	22-02336-04	...Fuse, 5 Amp	1
6	22-01334-07	...Board, Terminal, 10 Position	1
7	AC901-514	...Label, Terminal Board, 10 Position	1
8	22-62210-01	...Relay/Connector Assembly, With Wiring & Fuse - Includes:	1
8A	10-00328-00Relay, 70 Amp, 12 VDC	1
8B	22-62210-03Connector/Wiring/Fuse Holder Assembly - Includes:	1
8C	22-50078-18Connector, Relay	1
8D	22-62110-00Holder,Fuse, In-Line With Cover	1
8E	22-02336-17Fuse, 60 AMP	1
8F	AC901-513Label, HSR, (High Speed Relay)	1
9	10-00286-14	...Relay, 50 Amp, 12 VDC	4
10	22-62238-03	...Connector/Lock Assembly, Relay, With Wiring (CLR) - Includes:	1
10A	AC201-901Connector, Relay	1
10B	AC201-931Lock, Connector, Relay	1

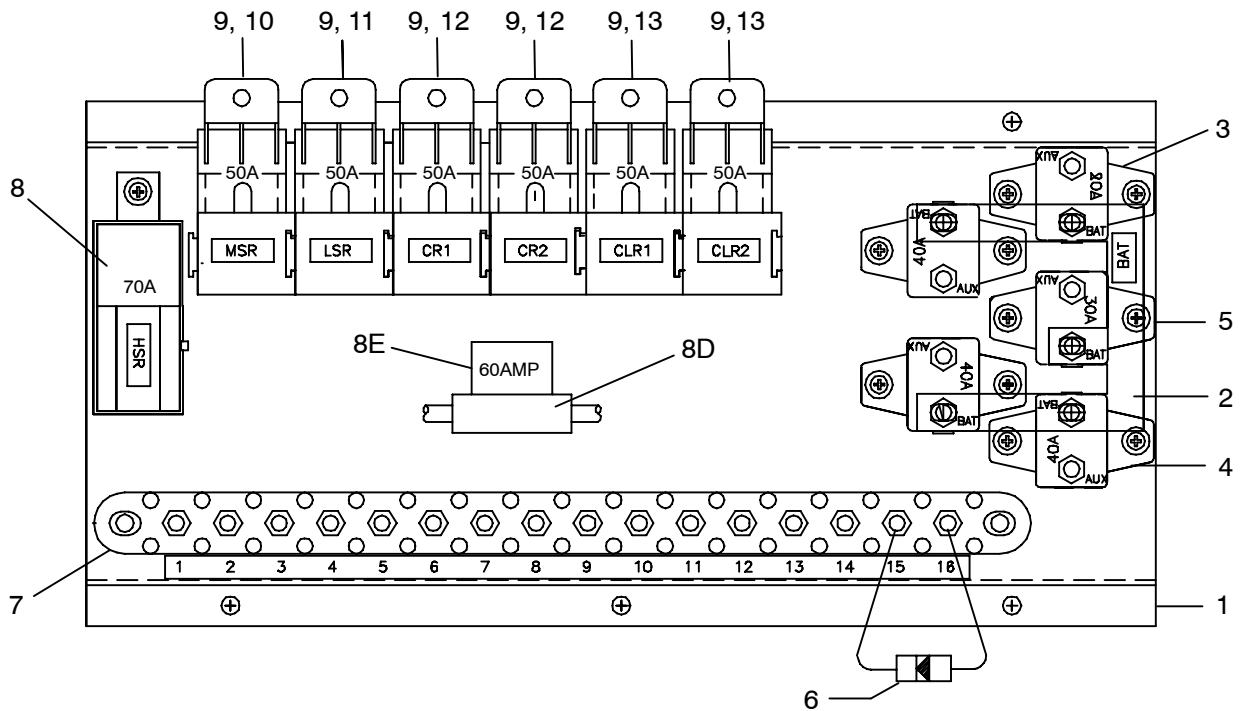
5.48 CONTROL PANEL, GEN 4, TOTAL CONTROL, EM-3 WITH 1 CM - Continued:			
Item	Part Number	Description	Qty
11	22-62238-00	...Connector/Lock Assembly, Relay, With Wiring (MSR) - Includes:	1
11A	AC201-901Connector, Relay	1
11B	AC201-931Lock, Connector, Relay	1
12	22-62238-01	...Connector/Lock Assembly, Relay, With Wiring (LSR) - Includes:	1
12A	AC201-901Connector, Relay	1
12B	AC201-931Lock, Connector, Relay	1
13	22-62238-02	...Connector/Lock Assembly, Relay, With Wiring (CR) - Includes:	1
13A	AC201-931Lock, Connector, Relay	1
13B	AC201-901Connector, Relay	4
14	68-63262-00	...Channel, Mounting, Electrical Panel	1
15	34-00655-06	...Bolt, Hex Head, 1/4-20 X 3/4 Inch	3
16	34-00663-11	...Washer, Split Lock, 1/4 Inch	3
17	34-00662-11	...Washer, Flat, 1/4 Inch	3

5.49 CONTROL PANEL, EM-3, GEN V, VARIABLE SPEED



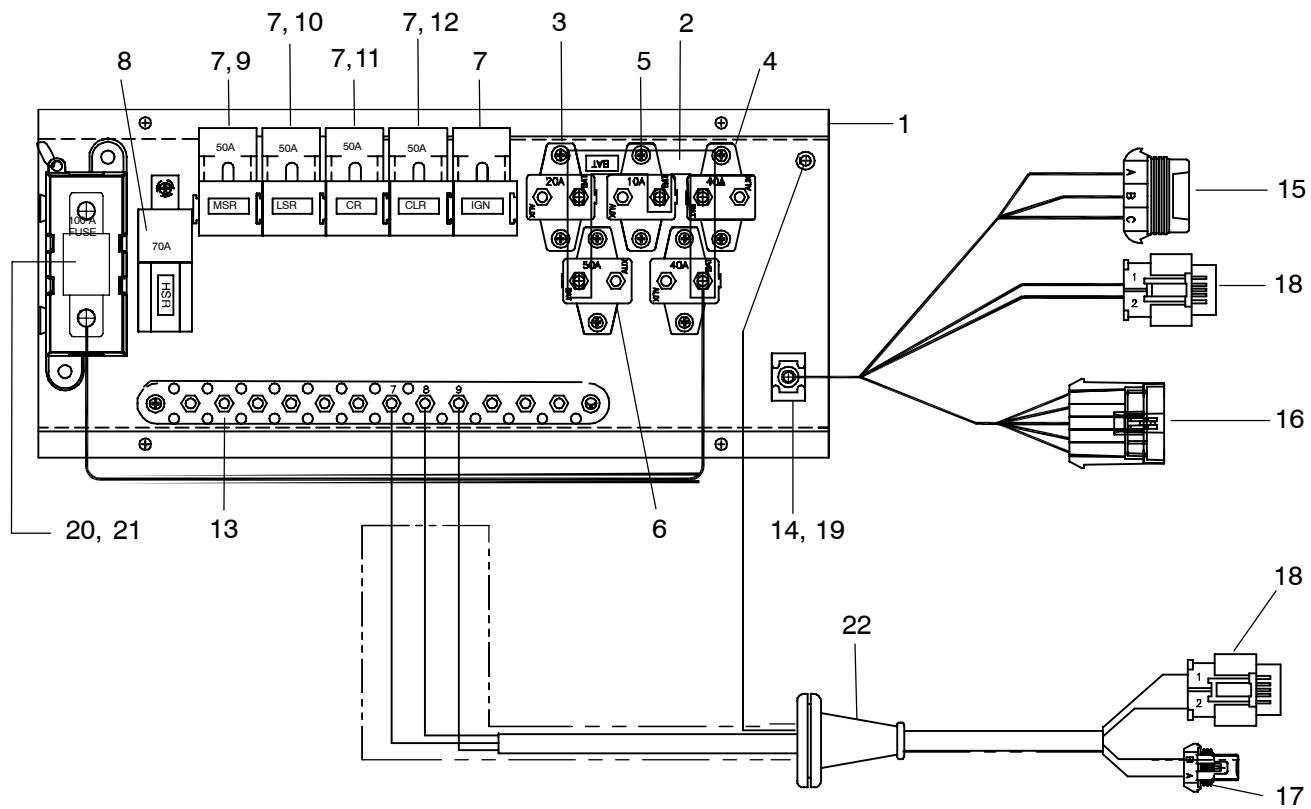
Item	Part Number	Description	Qty
-	91-62051-00	Panel Assembly, EM-3, (GenV) Shown Above, Includes:	1
1	68-63304-00	...Channel, Mounting, Electrical Panel	1
2	68-63129-00	...Buss Bar	1
3	AC201-105	...Breaker, Circuit, 20 Amp, Manual Reset	1
4	AC201-112	...Breaker, Circuit, 40 Amp, Manual Reset	2
5	22-62210-01	...Relay/Connector Assembly, With Wiring & Fuse - Includes:	1
5A	10-00328-00Relay, 70 Amp, 12 VDC	1
5B	22-62210-03Connector/Wiring/Fuse Holder Assembly - Includes:	1
5C	22-50078-18Connector, Relay	1
5D	22-62110-00Holder,Fuse, In-Line With Cover	1
5E	22-02336-17Fuse, 60 AMP	1
5F	AC901-513Label, HSR, (High Speed Relay)	1
6	10-00286-14	...Relay, 50 Amp	4
7	22-62238-03	...Connector/Lock Assembly, Relay, With Wiring (CLR) - Includes:	2
7A	AC201-901Connector, Relay	1
7B	AC201-931Lock, Connector, Relay	1
8	22-62238-02	...Connector/Lock Assembly, Relay, With Wiring (CR) - Includes:	2
8A	AC201-931Lock, Connector, Relay	1
8B	AC201-901Connector, Relay	1
9	AC201-600	...Diode, In-Line, 6 Amp	2
10	22-01334-11	...Junction Block (14) , #10-32 Studs	1

5.50 CONTROL PANEL, EM-3, GEN 5, THREE SPEED



Item	Part Number	Description	Qty
-	91-62052-00	Panel Assembly, EM-3, (GenV) Shown Above, Includes:	1
1	68-63308-00	...Channel, Mounting, Electrical Panel	1
2	68-62860-00	...Buss Bar, Brass	1
3	AC201-105	...Breaker, Circuit, 20 Amp, Manual Reset	1
4	AC201-112	...Breaker, Circuit, 40 Amp, Manual Reset	3
5	AC201-106	...Breaker, Circuit, 30 Amp, Manual Reset	1
6	AC201-600	...Diode, In-Line, 6 Amp	1
7	22-01334-13	...Terminal Block (16) , #10-32 Studs	1
8	22-62210-01	...Relay/Connector Assembly, With Wiring & Fuse - Includes:	1
8A	10-00328-00Relay, 70 Amp, 12 VDC	1
8B	22-62210-03Connector/Wiring/Fuse Holder Assembly - Includes:	1
8C	22-50078-18Connector, Relay	1
8D	22-62110-00Holder,Fuse, In-Line With Cover	1
8E	22-02336-17Fuse, 60 AMP	1
8F	AC901-513Label, HSR, (High Speed Relay)	1
9	10-00286-14	...Relay, 50 Amp, 12 VDC	6
10	22-62238-00	...Connector/Lock Assembly, Relay, With Wiring (MSR) - Includes:	1
10A	AC201-901Connector, Relay	1
10B	AC201-931Lock, Connector, Relay	1
11	22-62238-01	...Connector/Lock Assembly, Relay, With Wiring (LSR) - Includes:	1
11A	AC201-901Connector, Relay	1
11B	AC201-931Lock, Connector, Relay	1
12	22-62238-02	...Connector/Lock Assembly, Relay, With Wiring (CR) - Includes:	2
12A	AC201-931Lock, Connector, Relay	1
12B	AC201-901Connector, Relay	1
13	22-62238-03	...Connector/Lock Assembly, Relay, With Wiring (CLR) - Includes:	2
13A	AC201-901Connector, Relay	1
13B	AC201-931Lock, Connector, Relay	1

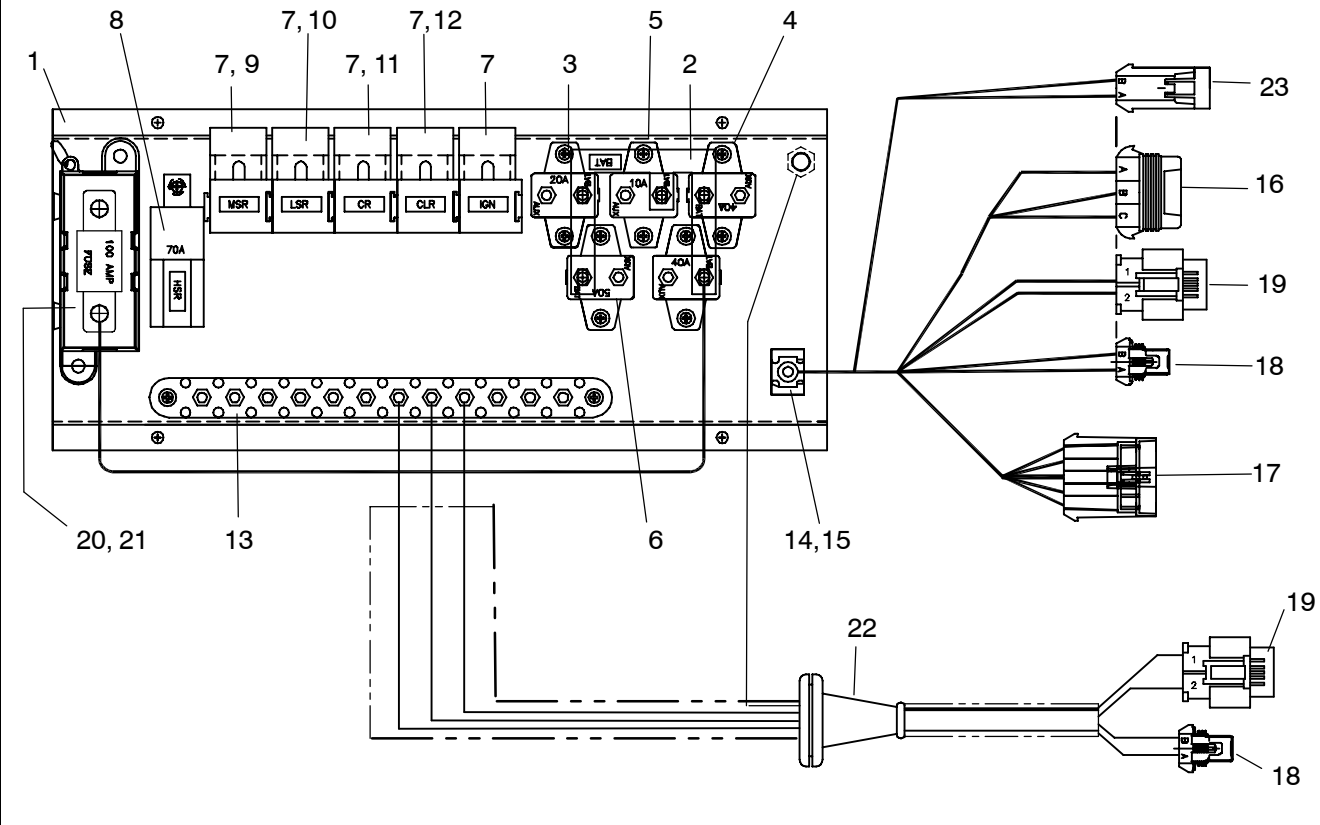
5.51 CONTROL PANEL, THOMAS C2, (1) EM-1/2/7, (1) CM (056)



Item	Part Number	Description	Qty
-	91-62056-00	Panel Assembly, Total Control, EM-1, (GenV) Shown Above, Includes:	1
1	68-63473-00	...Panel Assembly, Electrical	1
2	68-62860-00	...Buss Bar, Brass	1
3	AC201-105	...Breaker, Circuit, 20 Amp, Manual Reset	1
4	AC201-112	...Breaker, Circuit, 40 Amp, Manual Reset	2
5	AC201-105-1	...Breaker, Circuit, 10 Amp, Manual Reset	1
6	AC201-107	...Breaker, Circuit, 50 Amp, Manual Reset	1
7	10-00286-14	...Relay, 50 Amp, 12 VDC	5
7A	AC201-901Connector, Relay, Ignition	1
7B	AC201-931Lock, Connector, Relay, Ignition	1
8	22-62210-00	...Relay/Connector Assembly, With Wiring - Includes:	1
8A	10-00328-00Relay, 70 Amp, 12 VDC	1
8B	22-62210-02Connector/Wiring Assembly - Includes:	1
8C	22-50078-18Connector, Relay	1
8D	AC901-513Label, HSR (High Speed Relay)	1
9	22-62238-00	...Connector/Lock Assembly, Relay, With Wiring (MSR) - Includes:	1
9A	AC201-901Connector, Relay	1
9B	AC201-931Lock, Connector, Relay	1
10	22-62238-01	...Connector/Lock Assembly, Relay, With Wiring (LSR) - Includes:	1
10A	AC201-901Connector, Relay	1
10B	AC201-931Lock, Connector, Relay	1
11	22-62238-02	...Connector/Lock Assembly, Relay, With Wiring (CR) - Includes:	1
11A	AC201-931Lock, Connector, Relay	1
11B	AC201-901Connector, Relay	1
12	22-62238-03	...Connector/Lock Assembly, Relay, With Wiring (CLR) - Includes:	1

5.51 CONTROL PANEL, THOMAS C2, (1) EM-1/2/7, (1) CM - Continued:			
Item	Part Number	Description	Qty
12A	AC201-901Connector, Relay	1
12B	AC201-931Lock, Connector, Relay	1
13	22-01334-09	...Terminal Block , 12 Positions	1
14	AC701-303	...Wire Tie, Cable Mount	1
15	22-50078-87	...Connector, Female, 3 Pin, Black	1
16	22-50078-45	...Connector, Male, 10 Pin, Black	1
17	22-50078-73	...Connector, Female, 2 Pin, Black	1
18	22-50098-71	...Connector, Female, 2 Pin, Black	2
19	AC701-300	...Wire Tie, Self-Locking, 6 Inches	1
20	22-01800-00	...Holder, Fuse, Mega Fuse, With Cover	1
21	22-02336-31	...Fuse, 100 Amp	1
22	58-62153-00	...Grommet, Cord Guard	1

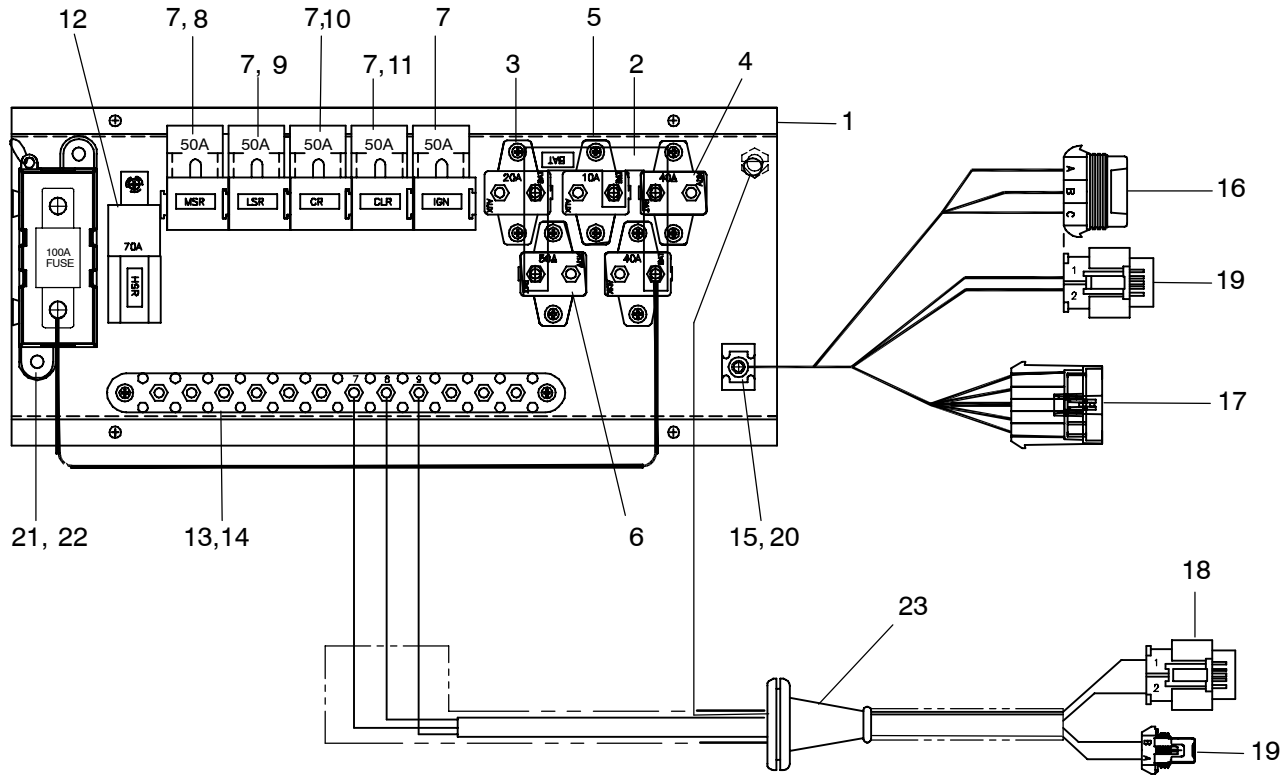
5.52 CONTROL PANEL, THOMAS C2, (1) EM-1/2/7, (1) CM WITH DASH AIR



Item	Part Number	Description	Qty
-	91-62057-00	Panel Assembly, Total Control, EM-1, (GenV) Shown Above, Includes:	1
1	68-63473-00	...Panel Assembly, Electrical	1
2	68-62860-00	...Buss Bar, Brass	1
3	AC201-105	...Breaker, Circuit, 20 Amp, Manual Reset	1
4	AC201-112	...Breaker, Circuit, 40 Amp, Manual Reset	2
5	AC201-105-1	...Breaker, Circuit, 10 Amp, Manual Reset	1
6	AC201-107	...Breaker, Circuit, 50 Amp, Manual Reset	1
7	10-00286-14	...Relay, 50 Amp, 12 VDC	5
7A	AC201-901Connector, Relay, Ignition	5
7B	AC201-931Lock, Connector, Ignition	5
8	22-62210-00	...Relay/Connector Assembly, With Wiring - Includes:	1
8A	10-00328-00Relay, 70 Amp, 12 VDC	1
8B	22-62210-02Connector/Wiring Assembly - includes	1
8C	22-50078-18Connector, Relay	1
8D	AC901-513Label, HSR (High Speed Relay)	1
9	22-62238-00	...Connector/Lock Assembly, Relay, With Wiring (MSR) - Includes:	1
9A	AC201-901Connector, Relay	1
9B	AC201-931Lock, Connector, Relay	1
10	22-62238-01	...Connector/Lock Assembly, Relay, With Wiring (LSR) - Includes:	1
10A	AC201-901Lock, Connector, Relay	1
10B	AC201-931Lock, Connector, Relay	1
11	22-62238-02	...Connector/Lock Assembly, Relay, With Wiring (CR) - Includes:	1
11A	AC201-931Lock, Connector, Relay	1
11B	AC201-901Connector, Relay	1

5.52 CONTROL PANEL, THOMAS C2, (1) EM-1/2/7, (1) CM WITH DASH AIR - Continued:			
Item	Part Number	Description	Qty
12	22-62238-03	...Connector/Lock Assembly, Relay, With Wiring (CLR) - Includes:	1
12A	AC201-901Connector, Relay	1
12B	AC201-931Lock, Connector, Relay	1
13	22-01334-09	...Terminal Block, 12 Positions	1
14	AC701-303	...Wire Tie, Cable Mount	1
15	AC701-300	...Wire Tie, Self-Locking, 6 Inches	1
16	22-50078-87	...Connector, Female, 3 Pin, Black	1
17	22-50078-45	...Connector, Male, 10 Pin, Black	1
18	22-50078-73	...Connector, Female, 2 Pin, Black	2
19	22-50098-71	...Connector, Female, 2 Pin, Black	2
20	22-01800-00	...Holder, Fuse, Mega Fuse, With Cover	1
21	22-02336-31	...Fuse, 100 Amp	1
22	58-62153-00	...Grommet, Cord Guard	1
23	22-50078-72	...Connector, Male	1

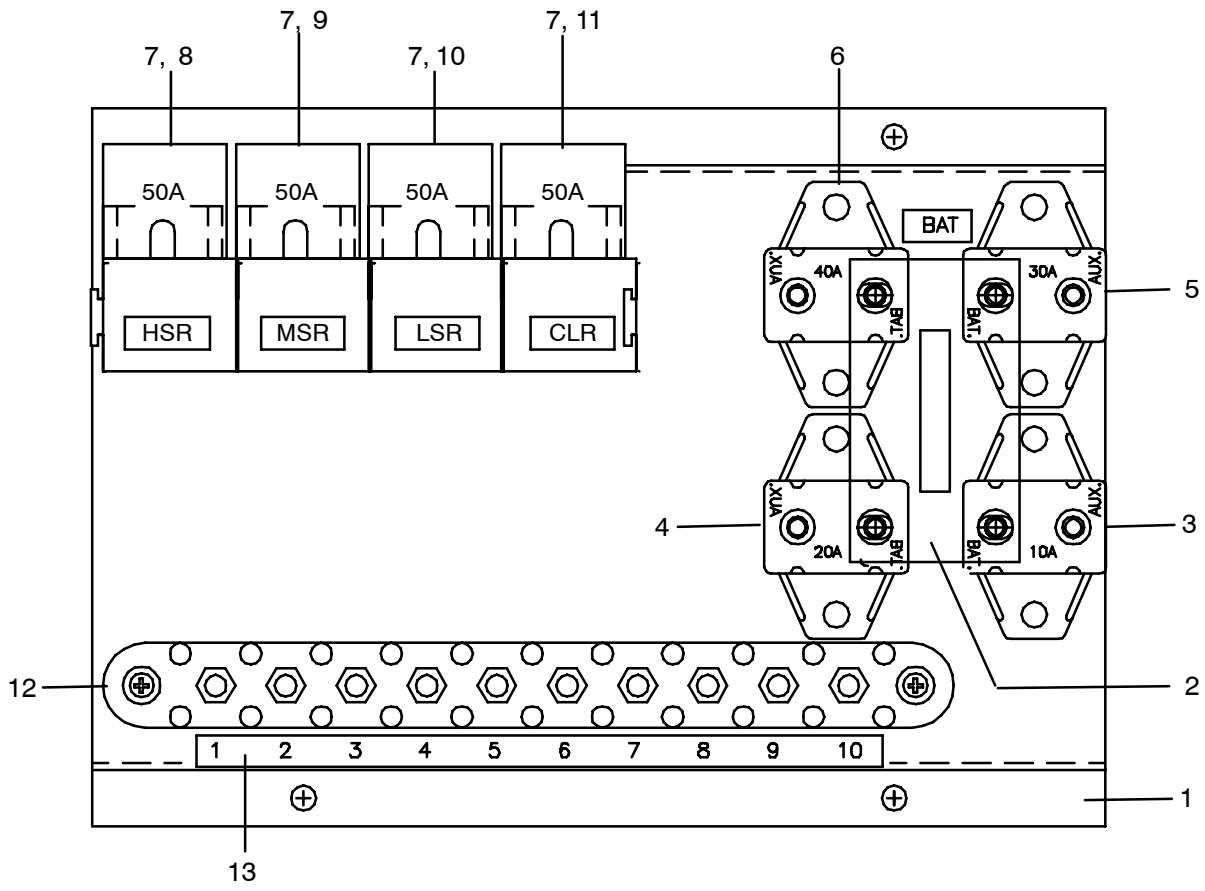
5.53 CONTROL PANEL, THOMAS C2, (1) EM-3, (1) CM-3 (058)



Item	Part Number	Description	Qty
-	91-62058-00	Panel Assembly, Total Control, EM-1, (GenV) Shown Above, Includes:	1
1	68-63473-00	...Panel Assembly, Electrical	1
2	68-62860-00	...Buss Bar, Brass	1
3	AC201-105	...Breaker, Circuit, 20 Amp, Manual Reset	1
4	AC201-112	...Breaker, Circuit, 40 Amp, Manual Reset	2
5	AC201-105-1	...Breaker, Circuit, 10 Amp, Manual Reset	1
6	AC201-107	...Breaker, Circuit, 50 Amp, Manual Reset	1
7	10-00286-14	...Relay, 50 Amp, 12 VDC	5
7A	AC201-901Connector, Relay, Ignition	1
7B	AC201-931Lock, Connector, Relay, Ignition	1
7C	AC901-513Label, HSR (High Speed Relay)	1
8	22-62238-00	...Connector/Lock Assembly, Relay, With Wiring (MSR) - Includes:	1
8A	AC201-901Connector, Relay	1
8B	AC201-931Lock, Connector, Relay	1
9	22-62238-01	...Connector/Lock Assembly, Relay, With Wiring (LSR) - Includes:	1
9A	AC201-901Connector, Relay	1
9B	AC201-931Lock, Connector, Relay	1
10	22-62238-02	...Connector/Lock Assembly, Relay, With Wiring (CR) - Includes:	1
10A	AC201-901Connector, Relay	1
10B	AC201-931Lock, Connector, Relay	1
11	22-62238-03	...Connector/Lock Assembly, Relay, With Wiring (CLR) - Includes:	1
11A	AC201-901Connector, Relay	1
11B	AC201-931Lock, Connector, Relay	1

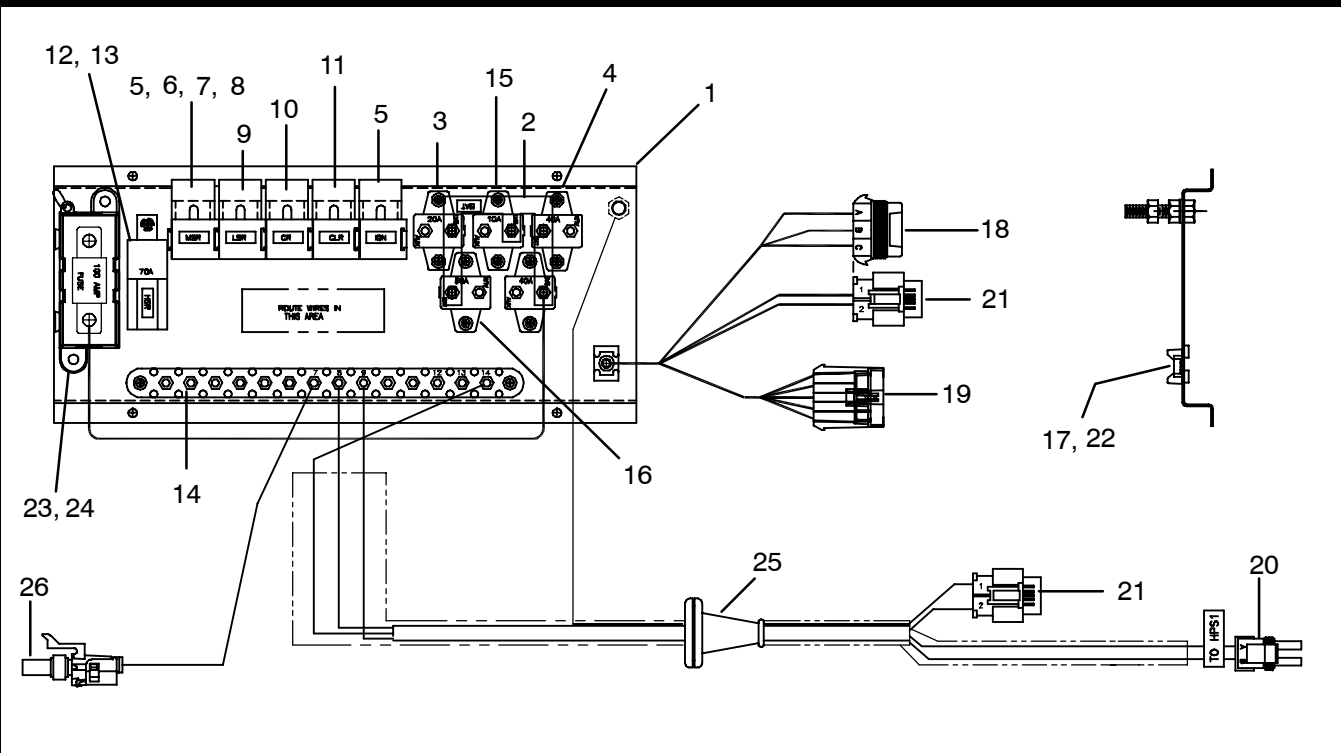
5.53 CONTROL PANEL, THOMAS C2, (1) EM-3, (1) CM-3(058) - Continued:			
Item	Part Number	Description	Qty
12	22-62210-00	...Relay/Connector Assembly, With Wiring - Includes:	1
12A	10-00328-00Relay, 70 Amp, 12 VDC	1
12B	22-62210-02Connector/Wiring Assembly - includes	1
12C	22-50078-18Connector, Relay	1
12D	AC901-513Label, HSR (High Speed Relay)	1
13	22-01334-09	Terminal Block , (12) 10-32 Studs	1
14	AC901-517	Label, Terminal Block	1
15	AC701-303	Wire Tie, Cable Mount	1
16	22-50078-87	Connector, Female, 3 Pin, Black	1
17	22-50078-45	Connector, Male, 10 Pin, Black	1
18	22-50078-73	Connector, Female, 2 Pin, Black	1
19	22-50098-71	Connector, Female, 2 Pin, Black	2
20	AC701-300	Wire Tie, Self-Locking, 6 Inches	1
21	22-01800-00	Holder, Fuse, Mega Fuse, With Cover	1
22	22-02336-31	Fuse, 100 Amp	1
23	58-62153-00	Grommet, Cord Guard	1

5.54 CONTROL PANEL, THOMAS C2, (1) EM-3, (1) CM-3 (070)



5.54 CONTROL PANEL, THOMAS C2, (1) EM-3, (1) CM-3 (070) - Continued:			
Item	Part Number	Description	Qty
-	91-62070-00	Panel Assembly, Electrical, EM-3, 3-Speed, GenV - Includes:	1
1	AC021-155Channel Assembly, Mounting, Electrical Components	1
2	68-63625-00Buss Bar, Brass	1
3	AC201-105-1Breaker, Circuit, 10 Amp, Manual Reset	1
4	AC201-105Breaker, Circuit, 20 Amp, Manual Reset	1
5	AC201-106Breaker, Circuit, 30 Amp, Manual Reset	1
6	AC201-112Breaker, Circuit, 40 Amp, Manual Reset	1
7	10-00286-14Relay, 50 Amp, 12 VDC	4
8	AC201-922Connector/Lock Assembly, Relay, With Wiring (HSR) - Includes:	1
8A	AC201-901Connector, Relay	1
8B	AC201-931Lock, Connector, Relay	1
9	22-62238-00Connector/Lock Assembly, Relay, With Wiring (MSR) - Includes:	1
9A	AC201-901Connector, Relay	1
9B	AC201-931Lock, Connector, Relay	1
10	22-62238-01Connector/Lock Assembly, Relay, With Wiring (LSR) - Includes:	1
10A	AC201-901Connector, Relay	1
10B	AC201-931Lock, Connector, Relay	1
11	22-62238-03Connector/Lock Assembly, Relay, With Wiring (CLR) - Includes:	1
11A	AC201-901Connector, Relay	1
11B	AC201-931Lock, Connector, Relay	1
12	22-01334-07Junction Block, With (10) 10-32 Studs	1
13	22-01334-07Label, Terminal Block, 10 Position	1

5.55 CONTROL PANEL, THOMAS C2, (1) EM-1/2/7, KR-4

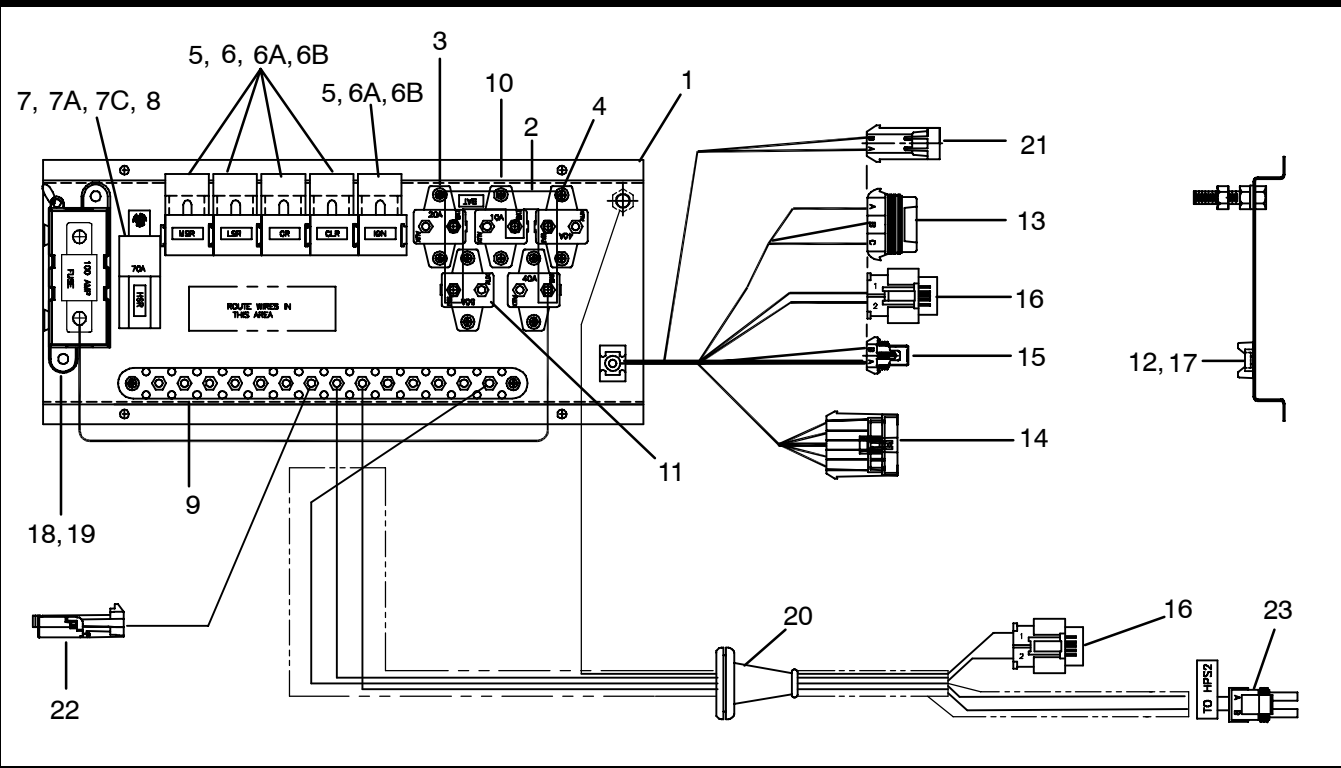


Item	Part Number	Description	Qty
-	91-62075-00	Panel Assembly, Electrical, EM-1/2/7, KR-4 - Includes:	1
1	68-63473-00	...Panel Assembly, Electrical	1
2	68-62860-00	...Buss Bar, Brass	1
3	AC201-105	...Breaker, Circuit, 20 Amp, Manual Reset	1
4	AC201-112	...Breaker, Circuit, 40 Amp, Manual Reset	2
5	10-00286-14	...Relay, 50 Amp, 12 VDC	5
6	AC201-901	...Connector, Relay	1
7	22-62238-00	...Connector/Lock Assembly, Relay, With Wiring (MSR) - Includes:	1
6	AC201-901Connector, Relay	1
8	AC201-931Lock, Connector, Relay	1
9	22-62238-01	...Connector/Lock Assembly, Relay, With Wiring (LSR) - Includes:	1
6	AC201-901Connector, Relay	1
8	AC201-931Lock, Connector, Relay	1
10	22-62238-02	...Connector/Lock Assembly, Relay, With Wiring (CR) - Includes:	1
6	AC201-901Connector, Relay	1
8	AC201-931Lock, Connector, Relay	1
11	22-62238-03	...Connector/Lock Assembly, Relay, With Wiring (CLR) - Includes:	1
6	AC201-901Connector, Relay	1
8	AC201-931Lock, Connector, Relay	1
12	22-62210-00	...Relay/Connector Assembly, With Wiring - Includes:	1
12A	10-00328-00Relay, 70 Amp, 12 VDC	1
12B	22-62210-02Connector/Wiring Assembly - Includes	1
12C	22-50078-18Connector, Relay	1
12D	AC901-513Label, HSR (High Speed Relay)	1
13	22-50078-18	...Connector, Relay	1
14	22-01334-11	...Terminal Block, 14 Positions; #10-32UNF-2A Stud	1
15	AC201-105-1	...Breaker, Circuit, 10 Amp, Manual Reset	1

5.55 CONTROL PANEL, THOMAS C2, (1) EM-1/2/7, KR-4 - Continued:

Item	Part Number	Description	Qty
16	AC201-107	...Breaker, Circuit, 50 Amp, Manual Reset	1
17	AC701-303	...Wire Tie, Cable Mount	1
18	22-50078-87	...Connector, Female, 3 Pin, Black	1
19	22-50078-45	...Connector, Male, 10 Pin, Black	1
20	22-01585-00	...Connector, Male, 2 Pin, Black	1
21	22-50098-71	...Connector, Female, 2 Pin, Black	2
22	66U1-3882	...Wire Tie, Self-Locking, 7 Inches	1
23	22-01800-00	...Holder, Fuse, Mega Fuse, With Cover	1
24	22-02336-31	...Fuse, 100 Amp	1
25	58-62153-00	...Grommet, Cord Guard	1
26	22-50078-63	...Connector, Female, 1 Way, Black	1

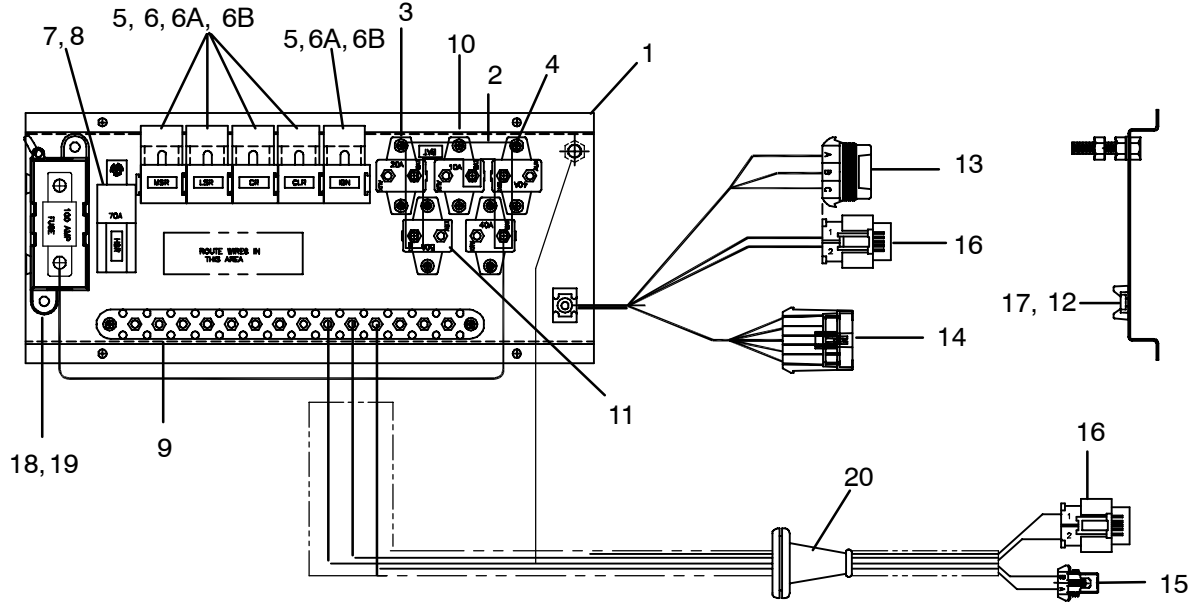
5.56 CONTROL PANEL, THOMAS C2, (1) EM-1/2/7, KR-4 WITH INDASH



Item	Part Number	Description	Qty
-	91-62076-00	Panel Assembly, Electrical, EM-1/2/7, KR-4 With Indash - Includes:	1
1	68-63473-00	...Panel Assembly, Electrical	1
2	68-62860-00	...Buss Bar, Brass	1
3	AC201-105	...Breaker, Circuit, 20 Amp, Manual Reset	1
4	AC201-112	...Breaker, Circuit, 40 Amp, Manual Reset	2
5	10-00286-14	...Relay, 50 Amp, 12 VDC	5
6	22-62238-00	...Connector/Lock Assembly, Relay, With Wiring (MSR) - Includes:	1
	22-62238-01	...Connector/Lock Assembly, Relay, With Wiring (LSR) - Includes:	1
	22-62238-02	...Connector/Lock Assembly, Relay, With Wiring (CR) - Includes:	1
	22-62238-03	...Connector/Lock Assembly, Relay, With Wiring (CLR) - Includes:	1
6A	AC201-901Connector, Relay	1
6B	AC201-931Lock, Connector, Relay	1
7	22-62210-00	...Relay/Connector Assembly, With Wiring - Includes:	1
7A	10-00328-00Relay, 70 Amp, 12 VDC	1
7B	22-62210-02Connector/Wiring Assembly - Includes	1
7C	22-50078-18Connector, Relay	1
7D	AC901-513Label, HSR (High Speed Relay)	1
8	22-50078-18	...Connector, Relay	1
9	22-01334-11	...Terminal Block, 14 Positions; #10-32UNF-2A Stud	1
10	AC201-105-1	...Breaker, Circuit, 10 Amp, Manual Reset	1
11	AC201-107	...Breaker, Circuit, 50 Amp, Manual Reset	1
12	AC701-303	...Wire Tie, Cable Mount	1
13	22-50078-87	...Connector, Female, 3 Pin, Black	1
14	22-50078-45	...Connector, Male, 10 Pin, Black	1
15	22-50078-73	...Connector, Female, 2 Position, Black	1
16	22-50098-71	...Connector, Female, 2 Pin, Black	2
17	66U1-3882	...Wire Tie, Self-Locking, 7 Inches	1

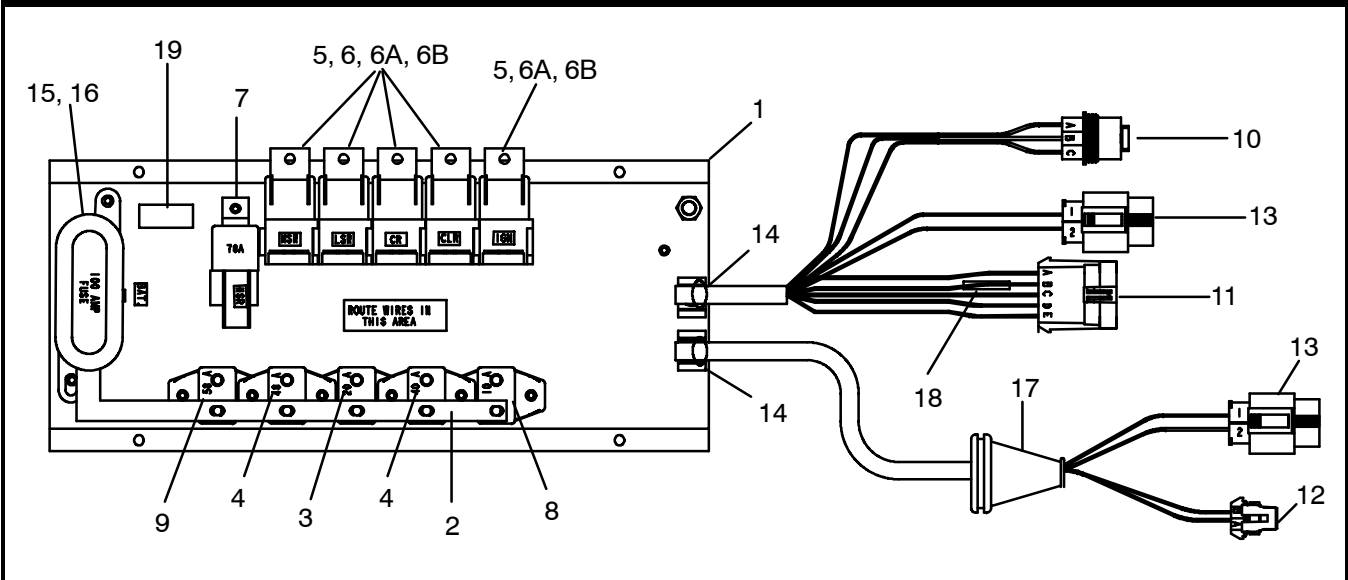
5.56 CONTROL PANEL, THOMAS C2, (1) EM-1/2/7, KR-4 WITH INDASH - Continued:			
Item	Part Number	Description	Qty
18	22-01800-00	...Holder, Fuse, 150 Amp, With Cover	1
19	22-02336-31	...Fuse, 100 Amp	1
20	58-62153-00	...Grommet, Cord Guard	1
21	22-50078-72	...Connector, Male, 2 Position, Black	1
22	22-50078-64	...Connector, Male, 1 Position, Black	1
23	22-01585-00	...Connector, Male, 2 Pin, Black	1

5.57 CONTROL PANEL, THOMAS C2, (1) EM-1/2/7, (1) CM (079)



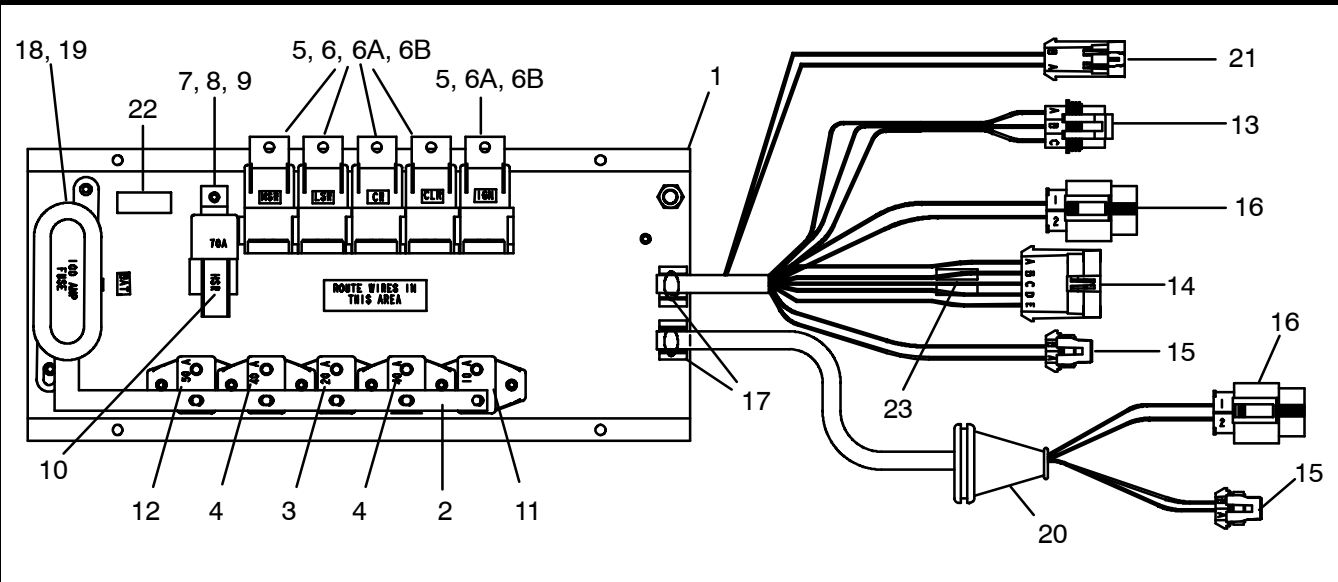
Item	Part Number	Description	Qty
-	91-62079-00	Panel Assembly, Electrical, EM-1/2/7, KR-4 With Indash - Includes:	1
1	68-63473-00	...Panel Assembly, Electrical	1
2	68-62860-00	...Buss Bar, Brass	1
3	AC201-105	...Breaker, Circuit, 20 Amp, Manual Reset	1
4	AC201-112	...Breaker, Circuit, 40 Amp, Manual Reset	2
5	10-00286-14	...Relay, 50 Amp, 12 VDC	5
6	22-62238-00	...Connector/Lock Assembly, Relay, With Wiring (MSR) - Includes:	1
	22-62238-01	...Connector/Lock Assembly, Relay, With Wiring (LSR) - Includes:	1
	22-62238-02	...Connector/Lock Assembly, Relay, With Wiring (CR) - Includes:	1
	22-62238-03	...Connector/Lock Assembly, Relay, With Wiring (CLR) - Includes:	1
6A	AC201-901Connector, Relay	1
6B	AC201-931Lock, Connector, Relay	1
7	22-62210-00	...Relay/Connector Assembly, With Wiring - Includes:	1
7A	10-00328-00Relay, 70 Amp, 12 VDC	1
7B	22-62210-02Connector/Wiring Assembly - Includes	1
7C	22-50078-18Connector, Relay	1
7D	AC901-513Label, HSR (High Speed relay)	1
8	22-50078-18	...Connector, Relay	1
9	22-01334-09	...Terminal Block, 12 Positions; #10-32UNF-2A Stud	1
10	AC201-105-1	...Breaker, Circuit, 10 Amp, Manual Reset	1
11	AC201-107	...Breaker, Circuit, 50 Amp, Manual Reset	1
12	AC701-303	...Wire Tie, Cable Mount	1
13	22-50078-87	...Connector, Female, 3 Pin, Black	1
14	22-50078-45	...Connector, Male, 10 Pin, Black	1
15	22-50078-73	...Connector, Female, 2 Position, Black	1
16	22-50098-71	...Connector, Female, 2 Pin, Black	2
17	66U1-3882	...Wire Tie, Self-Locking, 7 Inches	1
18	22-01800-00	...Holder, Fuse, 150 Amp, With Cover	1
19	22-02336-31	...Fuse, 100 Amp	1
20	58-62153-00	...Grommet, Cord Guard	1

5.58 PANEL ASSEMBLY, THOMAS C2, (1) EM-1/2/7, (1) CM (081)



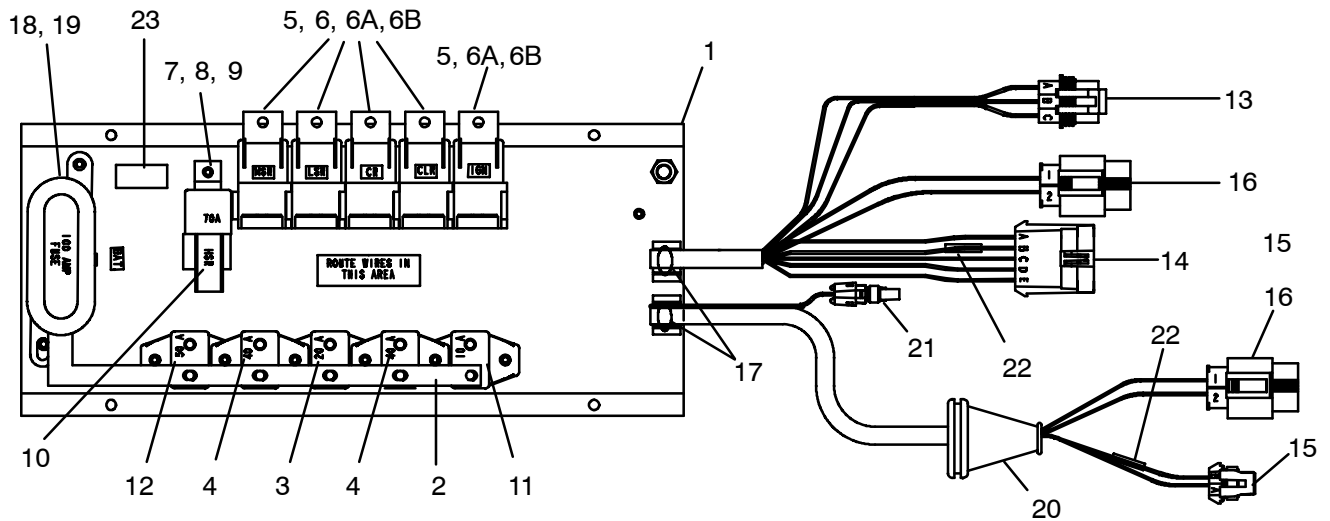
Item	Part Number	Description	Qty
-	91-62081-00	Panel Assembly, Electrical, EM-1/2/7, CM-1 - Includes:	1
1	67-62019-00	...Panel Assembly, Electrical	1
2	68-63723-00	...Buss Bar, Steel	1
3	AC201-105	...Breaker, Circuit, 20 Amp, Manual Reset	1
4	AC201-112	...Breaker, Circuit, 40 Amp, Manual Reset	2
5	10-00286-03	...Relay, 30 Amp, 12 VDC	5
6	22-62238-00	...Connector/Lock Assembly, Relay, With Wiring (MSR) - Includes:	1
	22-62238-01	...Connector/Lock Assembly, Relay, With Wiring (LSR) - Includes:	1
	22-62238-02	...Connector/Lock Assembly, Relay, With Wiring (CR) - Includes:	1
	22-62238-03	...Connector/Lock Assembly, Relay, With Wiring (CLR) - Includes:	1
6A	AC201-901Connector, Relay	1
6B	AC201-931Lock, Connector, Relay	1
7	22-62210-00	...Relay/Connector Assembly, With Wiring - Includes:	1
7A	10-00328-00Relay, 70 Amp, 12 VDC	1
7B	22-62210-02Connector/Wiring Assembly - Includes:	1
7C	22-50078-18Connector, Relay	1
7D	AC901-513Label, HSR (High Speed Relay)	1
8	AC201-105-1	...Breaker, Circuit, 10 Amp, Manual Reset	1
9	AC201-107	...Breaker, Circuit, 50 Amp, Manual Reset	1
10	22-50078-87	...Connector, Female, 3 Pin, Black	1
11	22-50078-45	...Connector, Male, 10 Pin, Black	1
12	22-50078-73	...Connector, Female, 2 Position, Black	1
13	22-50098-71	...Connector, Female, 2 Pin, Black	2
14	66U1-3882	...Wire Tie, Self-Locking, 7 Inches	2
15	22-62256-00	...Holder, Fuse, 150 Amp, With Cover	1
16	22-02336-31	...Fuse, 100 Amp	1
17	58-62153-00	...Grommet, Cord Guard	1
N/S	AC701-303	...Wire Tie, Cable Mount	2
18	AC201-600	...Diode, In-Line, 6 AMP	1
19	62-62068-00	...Label, Identification, Customer Part Number	1

5.59 PANEL ASSEMBLY, THOMAS C2, (1) EM-1/2/7, (1) CM (082)



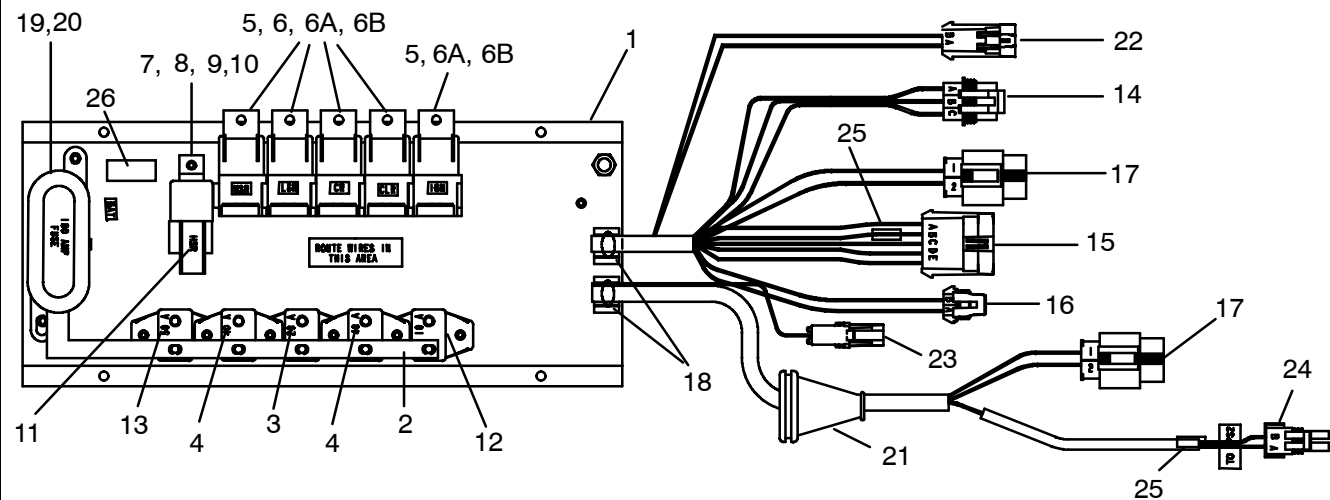
Item	Part Number	Description	Qty
-	91-62082-00	Panel Assembly, Electrical, EM-1/2/7, CM-1 - Includes:	1
1	67-62019-00	...Panel Assembly, Electrical	1
2	68-63723-00	...Buss Bar, Steel	1
3	AC201-105	...Breaker, Circuit, 20 Amp, Manual Reset	1
4	AC201-112	...Breaker, Circuit, 40 Amp, Manual Reset	2
5	10-00286-03	...Relay, 30 Amp, 12 VDC	5
6	22-62238-00	...Connector/Lock Assembly, Relay, With Wiring (MSR) - Includes:	1
	22-62238-01	...Connector/Lock Assembly, Relay, With Wiring (LSR) - Includes:	1
	22-62238-02	...Connector/Lock Assembly, Relay, With Wiring (CR) - Includes:	1
	22-62238-03	...Connector/Lock Assembly, Relay, With Wiring (CLR) - Includes:	1
6A	AC201-901Connector, Relay	1
6B	AC201-931Lock, Connector, Relay	1
7	22-62210-00	...Relay/Connector Assembly, With Wiring - Includes:	1
8	10-00328-00Relay, 70 Amp, 12 VDC	1
9	22-62210-02Connector/Wiring Assembly - Includes	1
9A	22-50078-18Connector, Relay	1
10	AC901-513Label, HSR (High Speed Relay)	1
11	AC201-105-1	...Breaker, Circuit, 10 Amp, Manual Reset	1
12	AC201-107	...Breaker, Circuit, 50 Amp, Manual Reset	1
13	22-50078-87	...Connector, Female, 3 Pin, Black	1
14	22-50078-45	...Connector, Male, 10 Pin, Black	1
15	22-50078-73	...Connector, Female, 2 Position, Black	1
16	22-50098-71	...Connector, Female, 2 Pin, Black	2
17	66U1-3882	...Wire Tie, Self-Locking, 7 Inches	2
18	22-62256-00	...Holder, Fuse, 150 Amp, With Cover	1
19	22-02336-31	...Fuse, 100 Amp	1
20	58-62153-00	...Grommet, Cord Guard	1
21	22-50078-72	...Connector, Male, 2 Position, Black	1
N/S	AC701-303	...Wire Tie, Cable Mount	2
22	62-62068-01	...Label, Identification, Customer Part Number	1
23	AC201-600	...Diode, In-Line, 6 AMP	2

5.60 PANEL ASSEMBLY, THOMAS C2, (1) EM-1/2/7, KR-4 (083)



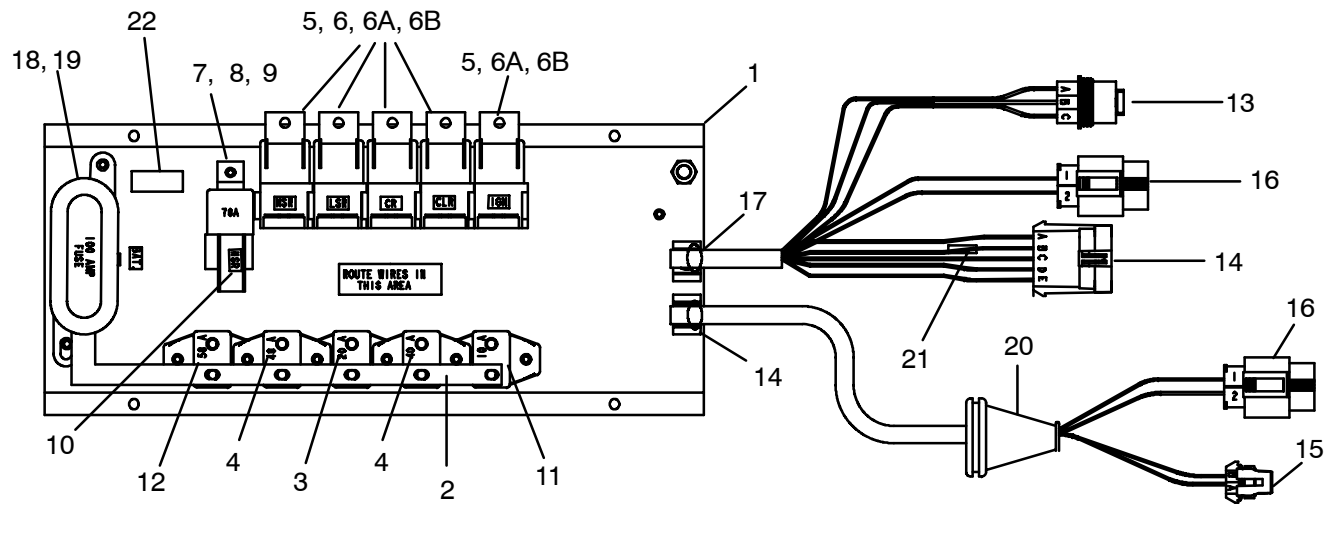
Item	Part Number	Description	Qty
-	91-62083-00	Panel Assembly, Electrical, EM-1/2/7, KR-4 - Includes:	1
1	67-62019-00	...Panel Assembly, Electrical	1
2	68-63723-00	...Buss Bar, Steel	1
3	AC201-105	...Breaker, Circuit, 20 Amp, Manual Reset	1
4	AC201-112	...Breaker, Circuit, 40 Amp, Manual Reset	2
5	10-00286-03	...Relay, 30 Amp, 12 VDC	5
6	22-62238-00	...Connector/Lock Assembly, Relay, With Wiring (MSR) - Includes:	1
	22-62238-01	...Connector/Lock Assembly, Relay, With Wiring (LSR) - Includes:	1
	22-62238-02	...Connector/Lock Assembly, Relay, With Wiring (CR) - Includes:	1
	22-62238-03	...Connector/Lock Assembly, Relay, With Wiring (CLR) - Includes:	1
6A	AC201-901Connector, Relay	1
6B	AC201-931Lock, Connector, Relay	1
7	22-62210-00	...Relay/Connector Assembly, With Wiring - Includes:	1
8	10-00328-00Relay, 70 Amp, 12 VDC	1
8A	22-62210-02Connector/Wiring Assembly - Includes	1
9	22-50078-18Connector, Relay	1
10	AC901-513Label, HSR (High Speed Relay)	1
11	AC201-105-1	...Breaker, Circuit, 10 Amp, Manual Reset	1
12	AC201-107	...Breaker, Circuit, 50 Amp, Manual Reset	1
13	22-50078-87	...Connector, Female, 3 Pin, Black	1
14	22-50078-45	...Connector, Male, 10 Pin, Black	1
15	22-01585-02	...Connector, Female, 2 Position, Black	1
16	22-50098-71	...Connector, Female, 2 Pin, Black	2
17	66U1-3882	...Wire Tie, Self-Locking, 7 Inches	2
18	22-62256-00	...Holder, Fuse, 150 Amp, With Cover	1
19	22-02336-31	...Fuse, 100 Amp	1
20	58-62153-00	...Grommet, Cord Guard	1
21	22-50078-63	...Connector, Female, 1 Position, Black	2
N/S	AC701-303	...Wire Tie, Cable Mount	2
22	AC201-600	...Diode, In-Line, 6 AMP	2
23	62-62068-02	...Label, Identification, Customer Part Number	1

5.61 PANEL ASSEMBLY, THOMAS C2, (1) EM-1/2/7, KR-4, WITH IN-DASH (084)



Item	Part Number	Description	Qty
-	91-62084-00	Panel Assembly, Electrical, EM-1/2/7, KR-4 With In-Dash - Includes:	1
1	67-62019-00	...Panel Assembly, Electrical	1
2	68-63723-00	...Buss Bar, Steel	1
3	AC201-105	...Breaker, Circuit, 20 Amp, Manual Reset	1
4	AC201-112	...Breaker, Circuit, 40 Amp, Manual Reset	2
5	10-00286-03	...Relay, 30 Amp, 12 VDC	5
6	22-62238-00	...Connector/Lock Assembly, Relay, With Wiring (MSR) - Includes:	1
	22-62238-02	...Connector/Lock Assembly, Relay, With Wiring (CR) - Includes:	1
	22-62238-01	...Connector/Lock Assembly, Relay, With Wiring (LSR) - Includes:	1
	22-62238-03	...Connector/Lock Assembly, Relay, With Wiring (CLR) - Includes:	1
6A	AC201-901Connector, Relay	1
6B	AC201-931Lock, Connector, Relay	1
7	22-62210-00	...Relay/Connector Assembly, With Wiring - Includes:	1
8	10-00328-00Relay, 70 Amp, 12 VDC	1
9	22-62210-02Connector/Wiring Assembly - Includes:	1
10	22-50078-18Connector, Relay	1
11	AC901-513Label, HSR (High Speed Relay)	1
12	AC201-105-1	...Breaker, Circuit, 10 Amp, Manual Reset	1
13	AC201-107	...Breaker, Circuit, 50 Amp, Manual Reset	1
14	22-50078-87	...Connector, Female, 3 Pin, Black	1
15	22-50078-45	...Connector, Male, 10 Pin, Black	1
16	22-50078-73	...Connector, Female, 2 Position, Black	1
17	22-50098-71	...Connector, Female, 2 Pin, Black	2
18	66U1-3882	...Wire Tie, Self-Locking, 7 Inches	2
19	22-62256-00	...Holder, Fuse, 150 Amp, With Cover	1
20	22-02336-31	...Fuse, 100 Amp	1
21	58-62153-00	...Grommet, Cord Guard	1
22	22-50078-72	...Connector, Male, 2 Position, Black	1
23	22-50078-64	...Connector, Male, 1 Position, Black	1
24	22-01585-02	...Connector, Male, 2 Pin, Medium Gray	1
N/S	AC701-303	...Wire Tie, Cable Mount	2
25	AC201-600	...Diode, In-Line, 6 AMP	3
26	62-62068-03	...Label, Identification, Customer Part Number	1

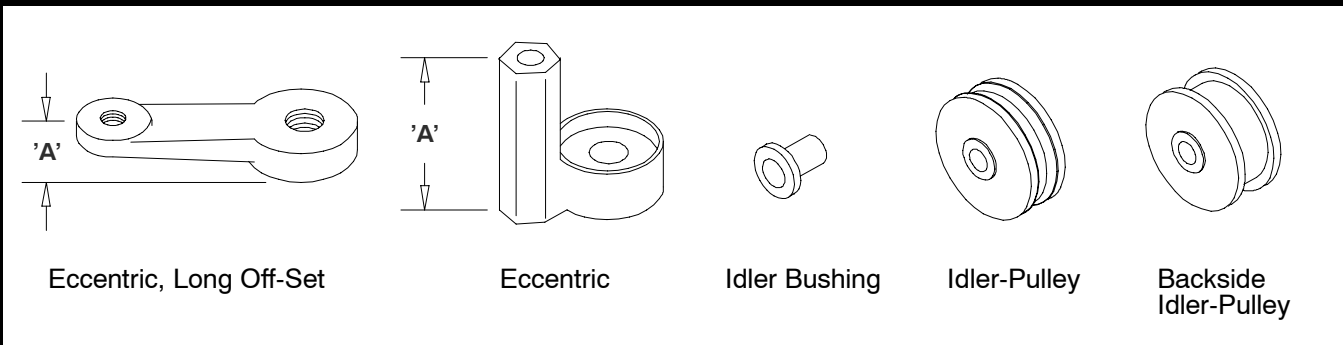
5.62 PANEL ASSEMBLY, THOMAS C2, (1) EM-1/2/7, (1) CM (085)



Item	Part Number	Description	Qty
-	91-62085-00	Panel Assembly, Electrical, EM-1/2/7, CM - Includes:	1
1	67-62019-00	...Panel Assembly, Electrical	1
2	68-63723-00	...Buss Bar, Steel	1
3	AC201-105	...Breaker, Circuit, 20 Amp, Manual Reset	1
4	AC201-112	...Breaker, Circuit, 40 Amp, Manual Reset	2
5	10-00286-03	...Relay, 30 Amp, 12 VDC	5
6	22-62238-00	...Connector/Lock Assembly, Relay, With Wiring (MSR) - Includes:	1
	22-62238-01	...Connector/Lock Assembly, Relay, With Wiring (LSR) - Includes:	1
	22-62238-02	...Connector/Lock Assembly, Relay, With Wiring (CR) - Includes:	1
	22-62238-03	...Connector/Lock Assembly, Relay, With Wiring (CLR) - Includes:	1
6A	AC201-901Connector, Relay	1
6B	AC201-931Lock, Connector, Relay	1
7	22-62210-00	...Relay/Connector Assembly, With Wiring - Includes:	1
8	10-00328-00Relay, 70 Amp, 12 VDC	1
9	22-62210-02Connector/Wiring Assembly - Includes:	1
9A	22-50078-18Connector, Relay	1
10	AC901-513Label, HSR (High Speed Relay)	1
11	AC201-105-1	...Breaker, Circuit, 10 Amp, Manual Reset	1
12	AC201-107	...Breaker, Circuit, 50 Amp, Manual Reset	1
13	22-50078-87	...Connector, Female, 3 Pin, Black	1
14	22-50078-45	...Connector, Male, 10 Pin, Black	1
15	22-50078-73	...Connector, Female, 2 Position, Black	1
16	22-50098-71	...Connector, Female, 2 Pin, Black	2
17	66U1-3882	...Wire Tie, Self-Locking, 7 Inches	2
18	22-62256-00	...Holder, Fuse, 150 Amp, With Cover	1
19	22-02336-31	...Fuse, 100 Amp	1
20	58-62153-00	...Grommet, Cord Guard	1
N/S	AC701-303	...Wire Tie, Cable Mount	2
21	AC201-600	...Diode, In-Line, 6 AMP	1
22	62-62068-03	...Label, Identification, Customer Part Number	1

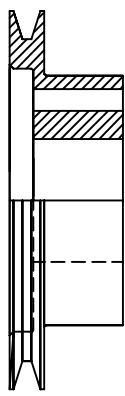
SECTION 6 - ENGINE KIT PARTS

6.1 BUSHINGS - IDLERS - ECCENTRICS - FAN SPACERS

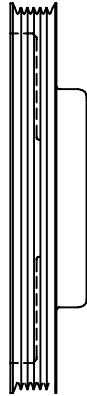


Part Number	Description
48-62018-01	Eccentric, "A" Dimension, 3/4 inch, Long Offset (AC601-525)
48-62016-01	Eccentric, "A" Dimension, 1-1/8 inch (AC601-505)
48-62018-00	Eccentric, "A" Dimension, 1-3/16 inch, Long Offset (AC601-522)
48-62016-07	Eccentric, "A" Dimension, 1-1/4 inch, Center Hole Tapped (AC601-527)
48-62016-08	Eccentric, "A" Dimension, 1-1/4 inch, Thru Center Hole (AC601-537)
48-62016-00	Eccentric, "A" Dimension, 1-1/2 inch (AC601-502)
48-62016-06	Eccentric, "A" Dimension, 1-9/16 inch (No Longer Available) (AC601-515)
48-62016-02	Eccentric, "A" Dimension, 1-5/8 inch (AC601-506)
48-62016-03	Eccentric, "A" Dimension, 1-3/4 inch (AC601-509)
48-62016-04	Eccentric, "A" Dimension, 1-7/8 inch (AC601-510)
48-62016-05	Eccentric, "A" Dimension, 2 inch (AC601-511)
48-62018-02	Eccentric, "A" Dimension 3/4 Inch, Long Off-Set, (Drilled Thru) (AC601-525-1)
AC601-534	Eccentric, Spacer, 1 inch
AC601-519	Bushing, Idler, 3/8 inch Bolt
AC601-508	Bushing, Idler, 7/16 inch Bolt
AC601-520	Bushing, Idler, 1/2 inch Bolt
48-62013-00	Bushing, Idler, 8MM Bolt
AC601-545	Bushing, Idler, Double Bearing, 10mm
AC601-535	Bushing, Compressor Ear, (Direct Mount)
AC601-500	Idler, Kit, Single Groove, 3-3/4 inch Diameter
N/A	Idler, Kit, Double Groove, 3-3/4 inch Diameter AC601-501
AC601-542	Idler, Pulley, Backside, 2-7/8 inch Diameter
AC601-528	Idler, Pulley, Backside, Single, 3-1/4 inch Diameter
AC051-586	Idler, Pulley, Backside, Dual, 3-5/8 inch Diameter
AC601-538	Idler, Pulley, Single, "A" Groove, 3-3/4 inch Diameter
50-62051-00	Idler, Pulley, Poly V, 6-Groove, Single, 3-1/4 inch Diameter
AC601-539	Spacer, Fan, 3/4 inch, 4 Holes, (2-1/2 inch Bore Center)
AC601-540	Spacer, Fan, 1 inch, 4 Holes, (2-1/2 inch Bore Center)
AC601-541	Spacer, Fan, 5/8 inch, 6BT With Electric Clutch
AC601-548	Spacer, Fan, 1 inch, 6CTA, 8.3 Cummins
AC601-524	Bolt, Shoulder, Single Bearing Idler
AC601-523	Arm, Adjusting, Straight
AC601-518	Water, Engine Outlet, (460 Add-On)
AC601-547	Manifold Assembly, Ford, 7.3 Liter, (Seltec)

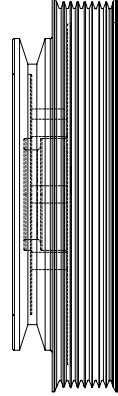
6.2 PULLEYS



AC051-1285P



50-62014-00



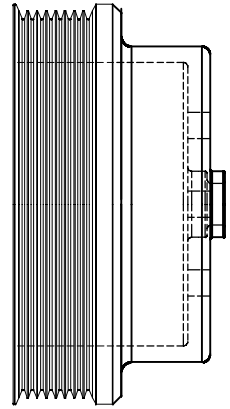
50-62029-00



50-62009-00



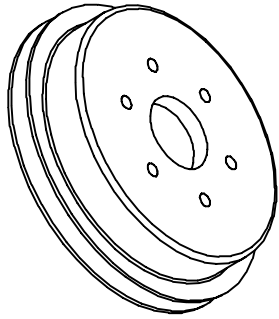
50-62011-00



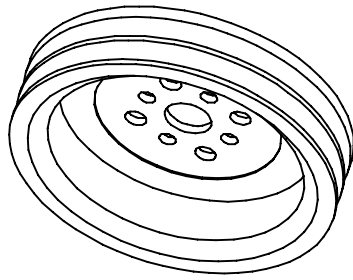
50-62025-00

Part Number	Description
AC601-328	Pulley, Crank, Single "A" Groove, (Cummins 6BT)
AC601-336	Pulley, Crank, Dual "B" Groove, (Cummins 6BT)
AC601-327	Pulley, Water Pump, Single "A" Groove, (Cummins 6BT & 6CT)
AC601-342	Pulley, Crank, Single Groove, (Dodge 360)
AC051-886P	Pulley, Crank, Dual "A" Groove, (CAT 3116)
AC051-212	Pulley, Crank, Single "A" Groove, (Chevy 350)
AC051-1114P	Pulley, Crank, Dual "A" Groove, Add-On, (DT 408 & 466)
AC051-1285P	Pulley, Crank, Single "A" Groove, Add-On, (97 Ford 6.8L)
AC051-409	Pulley, Crank, Single "A" Groove, Add-On, (Ford 7.3L)
AC051-1176P	Pulley, Crank, Formed Steel, Add-On, (95/97 Ford 7.3)
AC051-1116P	Pulley, Crank, Dual "A" Groove, Add-On, (94 I.H. T444E)
AC051-1111P	Pulley, Water Pump, Backside, Add-On, (I.H. 444E)
AC051-1112P	Pulley, Water Pump, Backside, (I.H. 444E)
AC053-098-1	Pulley, Crank, Dual "B" Groove, (CAT 3116-ADM)
AC053-011P	Pulley, Crank, Pulley, Crank, Dual 5V Groove, (CAT 3108)
AC053-450-1P	Pulley, Crank, Dual "B" Groove, (6CT/ISC W/ADM)
AC053-062P	Pulley, Crank, Dual "B" Groove, (Cummins 6CT/ISC W/ADM)
50-62002-00	Pulley, Crank, 6 BTA, 2 B-Grooves
50-62003-00	Pulley, Dual, Water Pump, Navistar, T444E
50-62005-00	Pulley, Crank, 94-97 T444E Conventional
50-62006-00	Pulley, Crank, Cummins, 6BT - 6BTA
50-62007-00	Pulley, Add-On, 97 Ford, 6.8L - V10
50-62009-00	Pulley, Add-On Fan Idler, Cat 3126
50-62009-02	Pulley, Fan Idler, Add-On, 2002 Cat 3126
50-62011-00	Pulley, Idler, 2 B-Grooves
50-62012-00	Pulley, Crank, Poly-V6, IH, DT466/530
50-62014-00	Pulley, Crank, 6 Groove Poly-V, T444E I.H.
50-62017-00	Pulley, Backside Idler
50-62025-00	Pulley, Poly-V, 8 Groove, Fan Hub, Add-On, Cat 3126

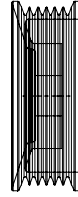
6.3 PULLEYS



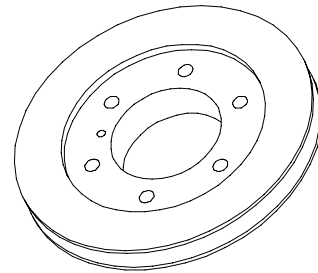
50-62031-00



50-62041-00

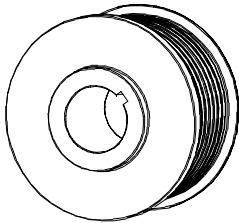


50-62051-00

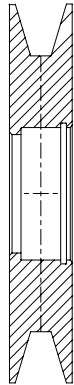


50-62054-00

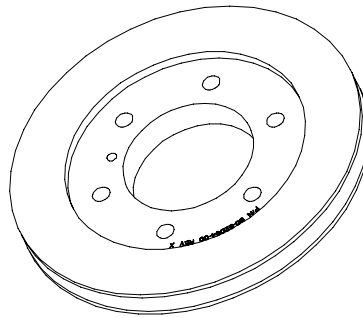
Part Number	Description
50-62029-00	Pulley, Fan Hub Add-On, 8 Groove Poly-V & "A" Groove, Painted Black, (Mercedes)
50-62031-00	Pulley, Cat 3126 & C7, VGR
50-62032-00	Pulley, Crank, Add-On, 466, V-Belt
50-62040-00	Pulley, Crank, Add-On, ISB02, 2 B-Grooves
50-62041-00	Pulley, 2 A-Grooves, 7.00" Dia.
50-62045-00	Pulley, Idler, Backside, 4.5" OD X 1.75"
50-62048-00	Pulley, Crank, Add-On, 04 Ford, 6.0L, 6 Groove Poly-V
50-62049-00	Pulley, Backside Idler, Stamped Steel (Goodyear)
50-62051-00	Pulley, Idler, Poly-V, 6 Groove
50-62054-00	Pulley, Crank, Add-On, B-Groove
50-62056-00	Pulley, Pentex, Alternator, 8-Groove, Pentex



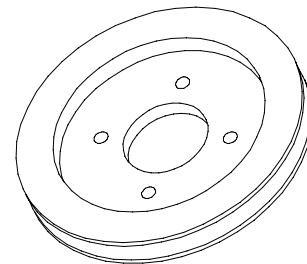
50-62056-00



50-62057-00



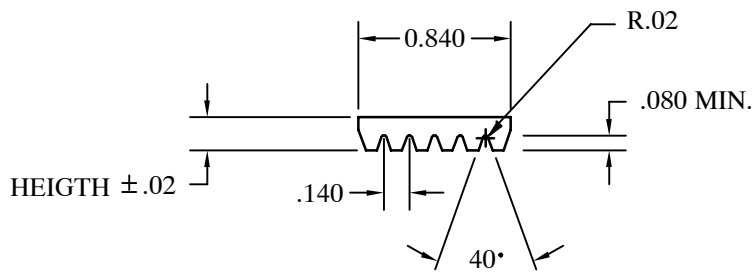
50-62064-00



50-62066-00

50-62057-00	Pulley, Idler, 4.5" OD X 0.75", B-Groove
50-62059-00	Pulley, Water Pump, 6 Groove, Add-On
50-62064-00	Pulley, Crank, 05 ICRE 300, 1 A-Groove
50-62066-00	Pulley, Engine, 05 CE200, 365
50-62069-00	Pulley, Idler, Backside, Stamped Steel (Dayco)
50-62070-00	Pulley, Idler, Backside, 6.00" OD X 1.75"
50-62072-00	Pulley, Idler, Dual, A-Groove
50-62073-00	Pulley, Idler, Backside, Stamped Steel (Ford)

6.4 BELTS, POLY-V, 6 GROOVES, 0.840 WIDTH

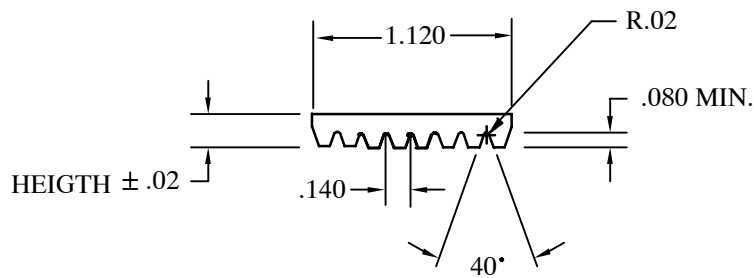


Part Number	Description	Length (Inches)
50-62000-00	BELT, POLY-V, 6 GROOVE	66.00
50-62000-01	BELT, POLY-V, 6 GROOVE	99.50
50-62000-03	BELT, POLY-V, 6 GROOVE	102.00
50-62000-07	BELT, POLY-V, 6 GROOVE	49.50
50-62000-08	BELT, POLY-V, 6 GROOVE	48.50
50-62000-09	BELT, POLY-V, 6 GROOVE	64.00
50-62000-10	BELT, POLY-V, 6 GROOVE	55.30
50-62000-11	BELT, POLY-V, 6 GROOVE	98.00
50-62000-12	BELT, POLY-V, 6 GROOVE	59.00
50-62000-16	BELT, POLY-V, 6 GROOVE	54.80
50-62000-17	BELT, POLY-V, 6 GROOVE	120.00
50-62000-18	BELT, POLY-V, 6 GROOVE	91.60
50-62000-19	BELT, POLY-V, 6 GROOVE	57.00
50-62000-20	BELT, POLY-V, 6 GROOVE	63.00
50-62000-22	BELT, POLY-V, 6 GROOVE	128.00
50-62000-24	BELT, POLY-V, 6 GROOVE	107.50
50-62000-25	BELT, POLY-V, 6 GROOVE	74.50
50-62000-26	BELT, POLY-V, 6 GROOVE	113.00
50-62000-27	BELT, POLY-V, 6 GROOVE	72.00
50-62000-28	BELT, POLY-V, 6 GROOVE	52.00
50-62000-51	BELT, POLY-V, 6 GROOVE	69.40
50-62000-57	BELT, POLY-V, 6 GROOVE	75.50
50-62000-60	BELT, POLY-V, 6 GROOVE	52.80
50-62000-61	BELT, POLY-V, 6 GROOVE	139.60
50-62000-62	BELT, POLY-V, 6 GROOVE	118.00
50-62000-63	BELT, POLY-V, 6 GROOVE	126.50
50-62000-68	BELT, POLY-V, 6 GROOVE	59.40
50-62000-78	BELT, POLY-V, 6 GROOVE	123.00
50-62000-79	BELT, POLY-V, 6 GROOVE	54.00
50-62000-80	BELT, POLY-V, 6 GROOVE	54.50
50-62000-81	BELT, POLY-V, 6 GROOVE	55.50
50-62000-84	BELT, POLY-V, 6 GROOVE	43.50
50-62000-85	BELT, POLY-V, 6 GROOVE	142.00
50-62000-86	BELT, POLY-V, 6 GROOVE	124.50
50-62000-87	BELT, POLY-V, 6 GROOVE	77.00
50-62000-91	BELT, POLY-V, 6 GROOVE	57.80
50-62000-92	BELT, POLY-V, 6 GROOVE	55.90
50-62000-93	BELT, POLY-V, 6 GROOVE	123.70

6.5 BELTS, POLY-V, 6 GROOVES, 0.840 WIDTH - Continued:

Part Number	Description	Length (Inches)
50-62000-95	BELT, POLY-V, 6 GROOVE	136.00
AC601-446	BELT, POLY-V, 6 GROOVE	67.50
AC601-451	BELT, POLY-V, 6 GROOVE	73.50
AC601-452	BELT, POLY-V, 6 GROOVE	88.30
AC601-458	BELT, POLY-V, 6 GROOVE	72.60
AC601-461	BELT, POLY-V, 6 GROOVE	70.60
AC601-494	BELT, POLY-V, 6 GROOVE	86.60
AC602-407	BELT, POLY-V, 6 GROOVE	91.60
AC602-413	BELT, POLY-V, 6 GROOVE	72.00
AC602-418	BELT, POLY-V, 6 GROOVE	52.80
AC602-420	BELT, POLY-V, 6 GROOVE	96.10
AC602-425	BELT, POLY-V, 6 GROOVE	87.10
AC602-426	BELT, POLY-V, 6 GROOVE	76.90
AC602-427	BELT, POLY-V, 6 GROOVE	103.10
AC602-448	BELT, POLY-V, 6 GROOVE	81.10
AC602-451	BELT, POLY-V, 6 GROOVE	83.70
AC602-454	BELT, POLY-V, 6 GROOVE	110.60

6.6 BELTS, POLY-V, 8 GROOVES, 1.120 WIDTH

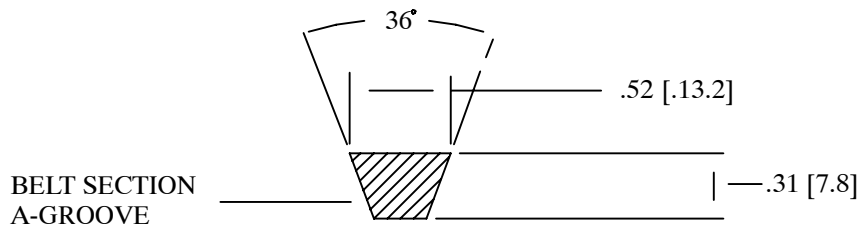


Part Number	Description	Length (Inches)
50-62000-02	BELT, POLY-V, 8 GROOVE	90.00
50-62000-04	BELT, POLY-V, 8 GROOVE	72.80
50-62000-05	BELT, POLY-V, 8 GROOVE	138.30
50-62000-06	BELT, POLY-V, 8 GROOVE	58.00
50-62000-13	BELT, POLY-V, 8 GROOVE	60.50
50-62000-14	BELT, POLY-V, 8 GROOVE	60.00
50-62000-15	BELT, POLY-V, 8 GROOVE	121.00
50-62000-21	BELT, POLY-V, 8 GROOVE	81.00
50-62000-23	BELT, POLY-V, 8 GROOVE	91.00
50-62000-29	BELT, POLY-V, 8 GROOVE	112.50
50-62000-39	BELT, POLY-V, 8 GROOVE	104.50
50-62000-58	BELT, POLY-V, 8 GROOVE	149.00
50-62000-59	BELT, POLY-V, 8 GROOVE	95.00
50-62000-64	BELT, POLY-V, 8 GROOVE	59.00
50-62000-65	BELT, POLY-V, 8 GROOVE	52.00
50-62000-66	BELT, POLY-V, 8 GROOVE	131.30
50-62000-67	BELT, POLY-V, 8 GROOVE	125.30
50-62000-69	BELT, POLY-V, 8 GROOVE	107.50
50-62000-70	BELT, POLY-V, 8 GROOVE	95.20
50-62000-71	BELT, POLY-V, 8 GROOVE	82.00

6.7 BELTS, POLY-V, 8 GROOVES, 1.120 WIDTH - Continued:

Part Number	Description	Length (Inches)
50-62000-72	BELT, POLY-V, 8 GROOVE	85.50
50-62000-73	BELT, POLY-V, 8 GROOVE	83.00
50-62000-74	BELT, POLY-V, 8 GROOVE	103.50
50-62000-75	BELT, POLY-V, 8 GROOVE	55.20
50-62000-76	BELT, POLY-V, 8 GROOVE	56.60
50-62000-77	BELT, POLY-V, 8 GROOVE	105.50
50-62000-82	BELT, POLY-V, 8 GROOVE	79.00
50-62000-83	BELT, POLY-V, 8 GROOVE	77.00
50-62000-88	BELT, POLY-V, 8 GROOVE	99.00
50-62000-89	BELT, POLY-V, 8 GROOVE	100.00
50-62000-90	BELT, POLY-V, 8 GROOVE	142.00
50-62000-94	BELT, POLY-V, 8 GROOVE	84.50
AC602-421	BELT, POLY-V, 8 GROOVE	46.50
AC602-424	BELT, POLY-V, 8 GROOVE	48.70
AC602-429	BELT, POLY-V, 8 GROOVE	123.00
AC602-435	BELT, POLY-V, 8 GROOVE	120.20
AC602-437	BELT, POLY-V, 8 GROOVE	101.80
AC602-445	BELT, POLY-V, 8 GROOVE	126.50
AC602-446	BELT, POLY-V, 8 GROOVE	100.70
AC602-452	BELT, POLY-V, 8 GROOVE	127.50

6.8 V-BELT, SINGLE "A" GROOVE



Part Number	Description	Length (Inches)
50-62019-00	V-BELT, SINGLE "A" GROOVE	75.00
50-62019-01	V-BELT, SINGLE "A" GROOVE	27.40
50-62019-02	V-BELT, SINGLE "A" GROOVE	28.40
50-62019-03	V-BELT, SINGLE "A" GROOVE	31.40
50-62019-06	V-BELT, SINGLE "A" GROOVE	34.40
50-62019-08	V-BELT, SINGLE "A" GROOVE	35.90
50-62019-09	V-BELT, SINGLE "A" GROOVE	36.40
50-62019-10	V-BELT, SINGLE "A" GROOVE	37.40
50-62019-19	V-BELT, SINGLE "A" GROOVE	45.40
50-62019-21	V-BELT, SINGLE "A" GROOVE	46.00
50-62019-23	V-BELT, SINGLE "A" GROOVE	46.40
50-62019-25	V-BELT, SINGLE "A" GROOVE	48.40
50-62019-29	V-BELT, SINGLE "A" GROOVE	52.40
50-62019-30	V-BELT, SINGLE "A" GROOVE	75.00
50-62019-31	V-BELT, SINGLE "A" GROOVE	53.40
50-62019-32	V-BELT, SINGLE "A" GROOVE	54.40
50-62019-33	V-BELT, SINGLE "A" GROOVE	55.40
50-62019-34	V-BELT, SINGLE "A" GROOVE	55.90

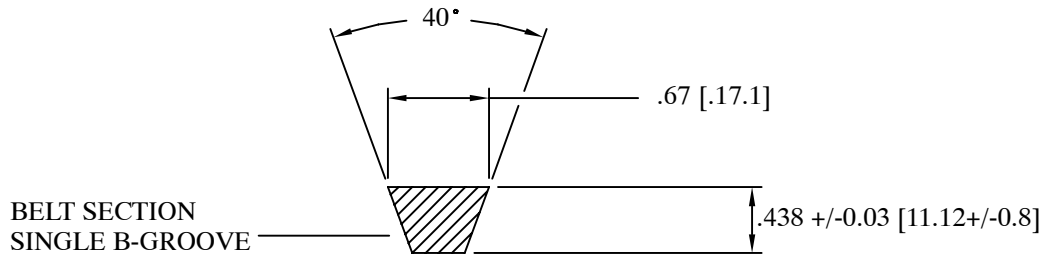
6.9 V-BELT, SINGLE "A" GROOVE - Continued:

Part Number	Description	Length (Inches)
50-62019-35	V-BELT, SINGLE "A" GROOVE	56.40
50-62019-36	V-BELT, SINGLE "A" GROOVE	57.40
50-62019-39	V-BELT, SINGLE "A" GROOVE	60.40
50-62019-40	V-BELT, SINGLE "A" GROOVE	60.90
50-62019-41	V-BELT, SINGLE "A" GROOVE	61.40
50-62019-43	V-BELT, SINGLE "A" GROOVE	63.40
50-62019-44	V-BELT, SINGLE "A" GROOVE	64.40
50-62019-45	V-BELT, SINGLE "A" GROOVE	65.40
50-62019-46	V-BELT, SINGLE "A" GROOVE	66.40
50-62019-49	V-BELT, SINGLE "A" GROOVE	69.40
50-62019-50	V-BELT, SINGLE "A" GROOVE	70.40
50-62019-54	V-BELT, SINGLE "A" GROOVE	76.00
50-62019-55	V-BELT, SINGLE "A" GROOVE	76.90
50-62019-56	V-BELT, SINGLE "A" GROOVE	77.40
50-62019-58	V-BELT, SINGLE "A" GROOVE	81.40
50-62019-62	V-BELT, SINGLE "A" GROOVE	54.80
50-62019-63	V-BELT, SINGLE "A" GROOVE	57.00
50-62019-64	V-BELT, SINGLE "A" GROOVE	66.50
50-62019-65	V-BELT, SINGLE "A" GROOVE	72.50
50-62019-66	V-BELT, SINGLE "A" GROOVE	75.50
50-62019-67	V-BELT, SINGLE "A" GROOVE	86.00
50-62019-68	V-BELT, SINGLE "A" GROOVE	88.00
50-62019-69	V-BELT, SINGLE "A" GROOVE	79.00
AC601-405	V-BELT, SINGLE "A" GROOVE	68.40
AC601-410	V-BELT, SINGLE "A" GROOVE	47.00
AC601-413	V-BELT, SINGLE "A" GROOVE	77.90
AC601-414	V-BELT, SINGLE "A" GROOVE	67.40
AC601-423	V-BELT, SINGLE "A" GROOVE	32.90
AC601-427	V-BELT, SINGLE "A" GROOVE	59.40
AC601-429	V-BELT, SINGLE "A" GROOVE	33.40
AC601-462	V-BELT, SINGLE "A" GROOVE	46.90
AC601-463	V-BELT, SINGLE "A" GROOVE	62.40
AC601-465	V-BELT, SINGLE "A" GROOVE	73.40
AC601-467	V-BELT, SINGLE "A" GROOVE	49.40
AC601-468	V-BELT, SINGLE "A" GROOVE	45.90
AC601-469	V-BELT, SINGLE "A" GROOVE	41.90
AC601-470	V-BELT, SINGLE "A" GROOVE	44.00
AC601-473	V-BELT, SINGLE "A" GROOVE	35.40
AC601-474	V-BELT, SINGLE "A" GROOVE	72.40
AC601-480	V-BELT, SINGLE "A" GROOVE	47.90
AC601-484	V-BELT, SINGLE "A" GROOVE	58.40
AC601-490	V-BELT, SINGLE "A" GROOVE	43.40
AC601-491	V-BELT, SINGLE "A" GROOVE	51.40
AC601-492	V-BELT, SINGLE "A" GROOVE	50.40
AC601-499	V-BELT, SINGLE "A" GROOVE	40.40
AC602-402	V-BELT, SINGLE "A" GROOVE	40.90
AC602-419	V-BELT, SINGLE "A" GROOVE	71.40

6.10 V-BELT, SINGLE "A" GROOVE - Continued:

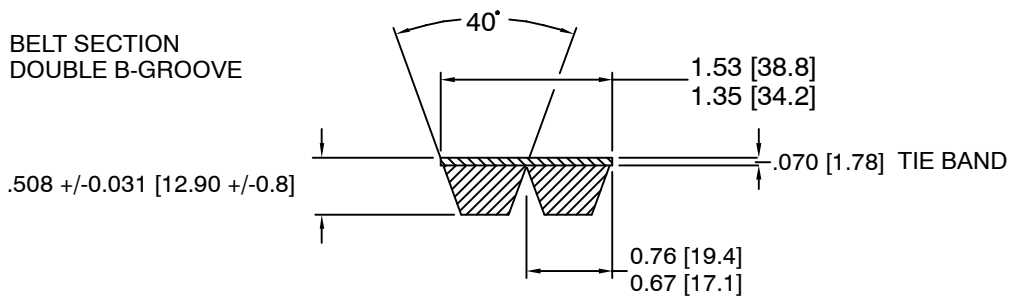
Part Number	Description	Length (Inches)
AC602-422	V-BELT, SINGLE "A" GROOVE	44.90
AC602-432	V-BELT, SINGLE "A" GROOVE	39.90
AC602-443	V-BELT, SINGLE "A" GROOVE	42.90
AC602-444	V-BELT, SINGLE "A" GROOVE	43.90
AC602-449	V-BELT, SINGLE "A" GROOVE	45.00

6.11 V-BELT, SINGLE "B" GROOVE



Part Number	Description	Length (Inches)
50-62010-15	V-BELT, SINGLE "B" GROOVE	55.90
50-62010-16	V-BELT, SINGLE "B" GROOVE	69.90
50-62010-17	V-BELT, SINGLE "B" GROOVE	92.90
50-62010-19	V-BELT, SINGLE "B" GROOVE	90.90
AC602-434	V-BELT, SINGLE "B" GROOVE	44.90

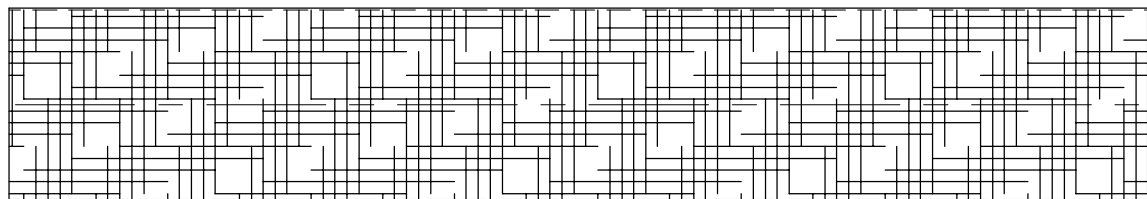
6.12 V-BELT, 2 GROOVE, BANDED



Part Number	Description	Length (Inches)
50-62010-00	V-BELT, BANDED, 2 RIB, COG	102.90
50-62010-01	V-BELT, BANDED, 2 RIB	92.90
50-62010-09	V-BELT, BANDED, 2 RIB	99.90
50-62010-10	V-BELT, BANDED, 2 RIB	82.90
50-62010-11	V-BELT, BANDED, 2 RIB	73.90
50-62010-13	V-BELT, BANDED, 2 RIB	76.90
50-62010-14	V-BELT, BANDED, 2 RIB	101.90
50-62010-20	V-BELT, BANDED, 2 RIB	102.90
AC602-400	V-BELT, BANDED, 2 RIB	83.90
AC602-405	V-BELT, BANDED, 2 RIB	89.90
AC602-409	V-BELT, BANDED, 2 RIB	80.90
AC602-417	V-BELT, BANDED, 2 RIB	87.90
AC602-423	V-BELT, BANDED, 2 RIB	95.90
AC602-433	V-BELT, BANDED, 2 RIB	85.90
AC602-441	V-BELT, BANDED, 2 RIB	97.90

6.13 HOSE, MISCELLANEOUS

Part Number	Description
AC301-215	Hose, Air Cleaner, 2 inch ID X FT.
AC301-206	Hose, Duct, 2 Inch ID X 6 Foot (Section)
AC301-205	Hose, Duct, 2-1/2 Inch ID X 6 Foot (Section)
AC301-222	Hose, Duct, Flexible Metal, 5 Inch ID (I.H. 7.3L Skat)
AC301-201	Hose, Fuel, 1/4 Inch ID X Foot
AC301-210	Hose, Fuel, 3/16 Inch X Foot
AC301-209	Hose, Fuel, 5/16 Inch X Foot
AC301-218	Hose, Heater, 5/8 Inch ID X Foot
AC301-224	Hose, Heater, 3/4 Inch ID X Foot
AC301-214	Hose, Heater, 1 Inch ID X Foot
AC301-233	Hose, Radiator, 3/4 Inch 90 Degree
AC301-243	Hose, Radiator, 1 Inch 90 Degree
AC301-216	Hose, Radiator, 1-1/4 Inch ID
AC301-217	Hose, Radiator, 1-3/8 Inch ID
AC301-202	Hose, Radiator, 1-1/2 Inch ID
AC301-208	Hose, Radiator, 1-1/2 Inch ID
AC301-235	Hose, Radiator, 1-1/2 Inch ID X Foot
AC301-220	Hose, Radiator, 1-1/2 Inch ID
AC301-211	Hose, Radiator, 1-3/4 Inch ID
AC301-242	Hose, Radiator, 2 Inch ID X 3-1/2 Inch
AC301-221	Hose, Radiator, 2 Inch ID X 3 Foot
AC301-241	Hose, Radiator, 2-1/4 Inch ID X 4 Inches
AC301-223	Hose, Radiator
AC301-228	Hose, Radiator
AC301-219	Hose, Radiator, 88 Ford 460, Add-On
AC301-238	Hose, Silicone, 5/8 Inch ID X Foot
AC301-227	Hose, Silicone, 3/4 Inch ID X Foot
AC301-230	Tubing, Air Brake PFT, 1/4 Inch OD X Foot
AC301-231	Tubing, Air Brake PFT, 3/8 Inch OD X Foot
AC301-229	Tubing, Air Brake PFT, 1/2 Inch OD X Foot

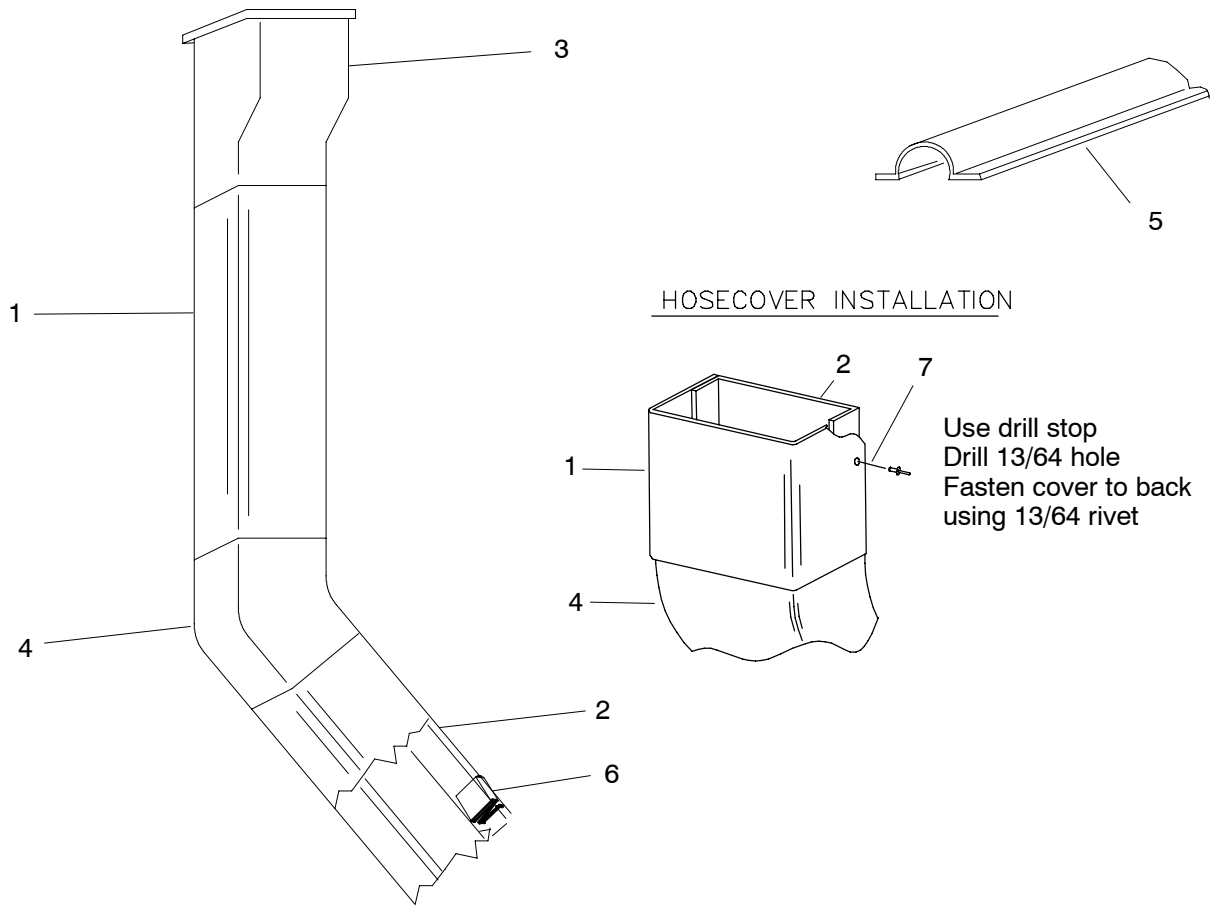
6.14 INSULATION TUBE, (HEAT)

For protecting refrigerant hose in engine compartment or any other high heat areas

58-62062-00	Tube, Insulation, (Fyrejacket), 2 Inch I.D X 24 Inch, Fiberglass With Silicone Rubber
58-62062-01	Tube, Insulation, (Fyrejacket), 2 Inch I.D X 48 Inch
58-62062-02	Tube, Insulation, (Fyrejacket), 2 Inch I.D X 72 Inch
58-62062-10	Tube, Insulation, (Fyrejacket), 2 Inch I.D X 1200 Inch
58-62030-00	Tube, Insulation, 2 Inch I.D X 24 Inches, Fiberglass With Aluminum Foil

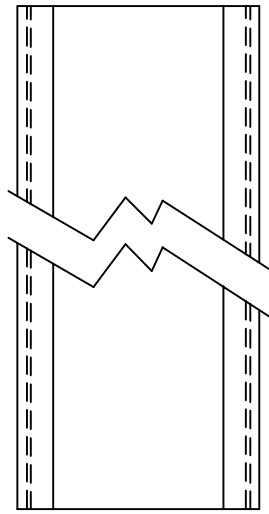
SECTION 7 - MISCELLANEOUS

7.1 HOSECOVERS AND ACCESSORIES



Item	Part Number	Description
1	N/A	Hosecover, Vinyl Coated, 36 inch, (Beige AC010-007)
	AC010-007-1	Hosecover, Vinyl Coated, 36 inch, (White)
	AC010-007-2	Hosecover, Vinyl Coated, 36 inch, (Gray)
	N/A	Hosecover, Vinyl Coated, 47 inch, (Beige AC011-030)
	N/A	Hosecover, Vinyl Coated, 47 inch, (White AC011-030-1)
	N/A	Hosecover, Vinyl Coated, 47 inch, (Gray AC011-030-2)
2	AC010-008	Hosecover, Back, 36 inch
	AC011-031	Hosecover, Back, 47 inch
3	N/A	Hosecover, Transition, (Beige AC011-032)
	AC011-032-1	Hosecover, Transition, (White)
	AC011-032-2	Hosecover, Transition, (Gray)
4	N/A	Hosecover, Elbow. 60°, (Beige AC011-049)
	AC011-049-1	Hosecover, Elbow. 60°, (White)
	AC011-049-2	Hosecover, Elbow. 60°. (Gray)
5	N/A	Hosecover, Drain Line, 48 inch, (Beige AC011-077)
	N/A	Hosecover, Drain Line, 48 inch, (White AC011-077-1)
	N/A	Hosecover, Drain Line, 48 inch, (Gray AC011-077-2)
6	AC701-103	Clip, Tinnerman, S-Type, (Hosecover)
7	AC701-401	Rivet, Pop, Steel, (SD62BS)

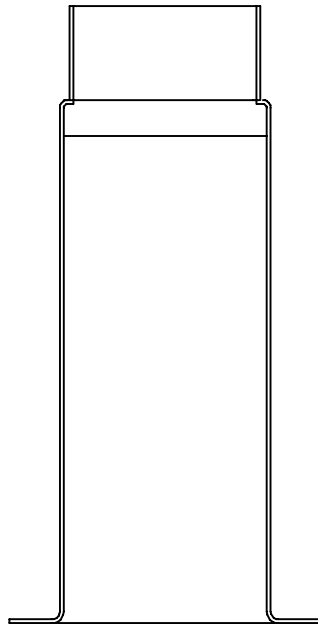
7.2 HOSECOVERS - 2 PIECE DESIGN



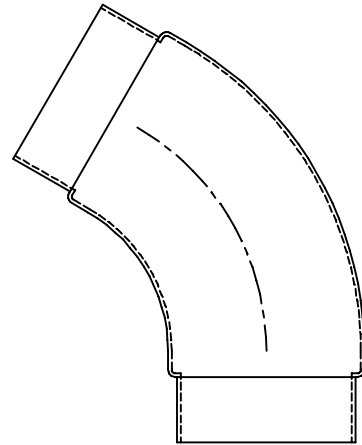
1



TOP VIEW



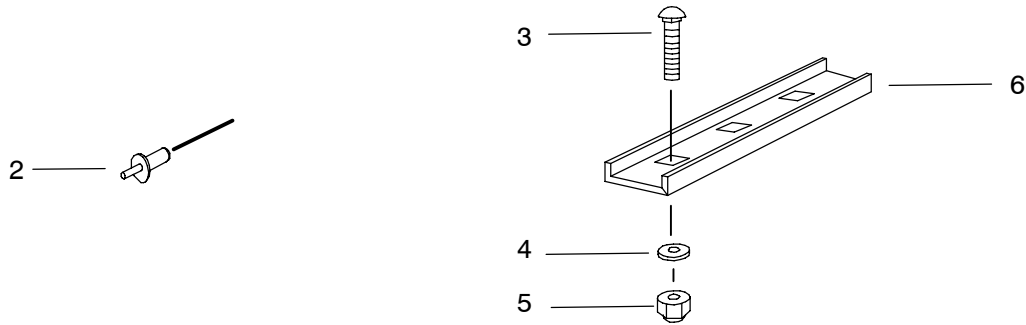
2



3

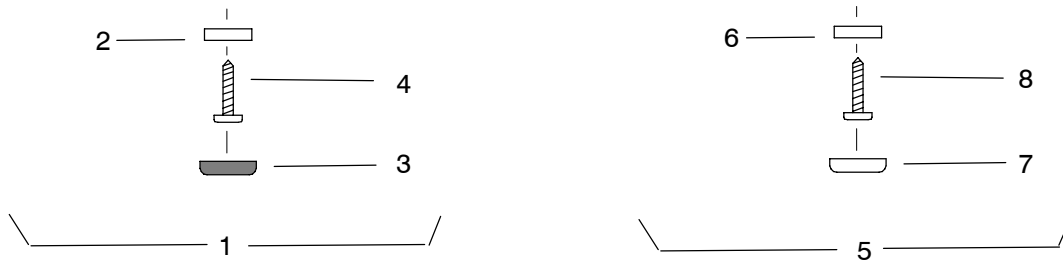
Item	Part Number	Description
1	58-01384-00	Hosecover, 2 Piece, Gray
	58-01384-01	Hosecover, 2 Piece, White
2	58-01383-00	Hosecover, Transition, Gray
	58-01383-01	Hosecover, Transition, White
	58-62184-00	Hosecover, Transition, Gray
	58-62191-00	Hosecover, Transition, ABS, Gray
3	58-01382-00	Corner Cover, 90 Degree Elbow, Gray
	58-01382-01	Corner Cover, 90 Degree Elbow, White

7.3 HARDWARE KIT, EVAPORATOR MOUNTING TO CHANNELS, (REAR)



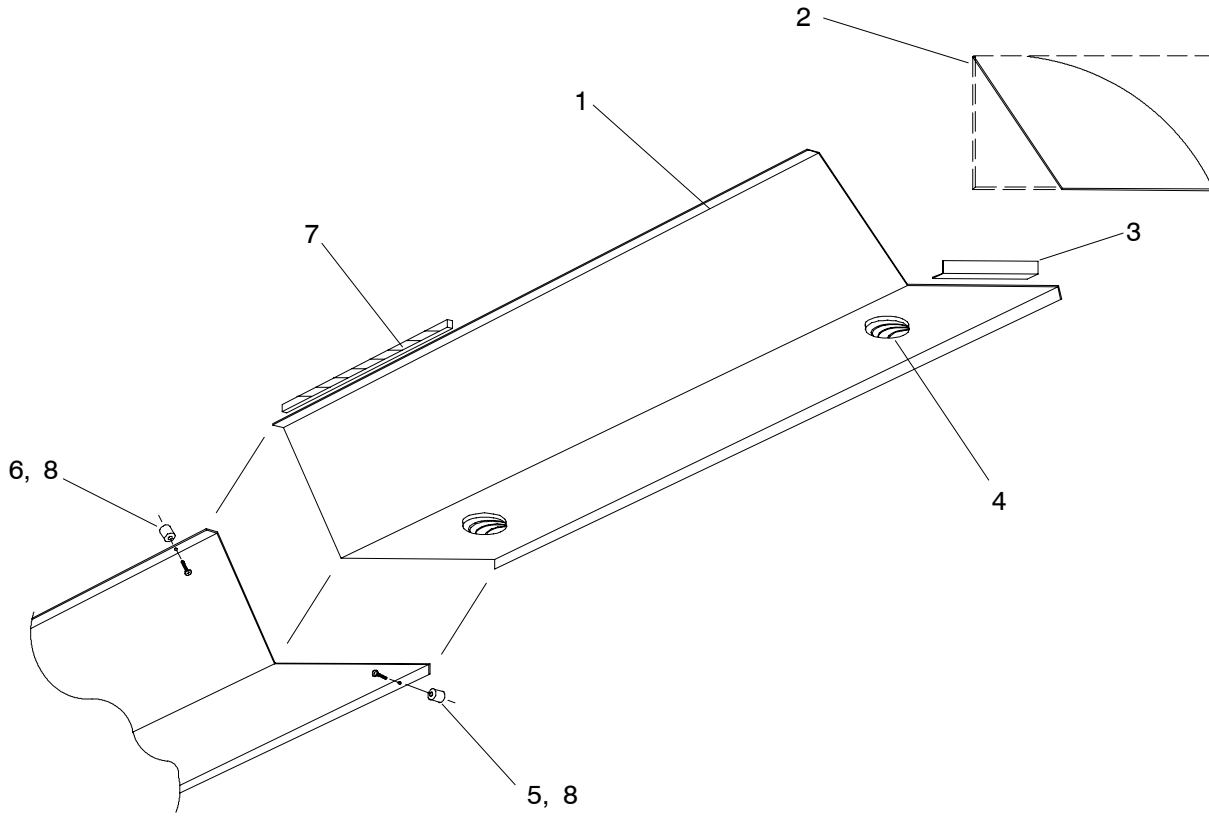
Item	Part Number	Description	
1	76-62103-01	Hardware Kit, Unit Mounting To Channels, Includes:	1
2	AC701-403 Rivet, Pop, 1/8-Steel	3
3	34-01310-01 Bolt, Carriage, Round Head, 3/8-16 X 4 Inches, Zinc plated	4
4	34-00588-13 Washer, Flat, 3/8 Inch, Zinc Plated	4
5	34-00361-13 Nut, Hex, Lock, 3/8-16, Zinc Plated	4
6	AC020-009	Channel, Mounting, 3/16 X 30 Inches Long	2
	AC021-360	Channel, Mounting, 3/16 X 15.75 Inch, (Model 77-62112-80 & -82 Only)	2

7.4 HARDWARE KIT, EVAPORATOR COVER MOUNTING, (REAR AND SIDE MOUNT)



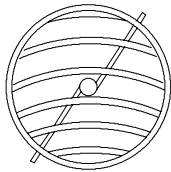
Item	Part Number	Description	
1	76-62103-00	Hardware Kit, Cover Mounting To Unit, Gray, Includes:	1
2	AC801-529 Washer, Snap Cap	8
3	AC801-532 Snap Cap, Gray	8
4	34-62046-00 Screw, Pan Head, Phillips, #10 X 5/8 Inch, AB, Black	8
5	76-62103-04	Hardware Kit, Cover Mounting To Unit, White, Includes:	1
6	AC801-529 Washer, Snap Cap	8
7	AC801-531 Snap Cap, White	8
8	34-50044-00 Screw, Pan Head, Phillips, #10 X 5/8 Inch, AB, Black	8

7.5 CORNER DUCTING

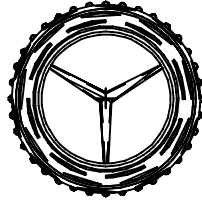


Item	Part Number	Description
1	AC011-001	Duct Section, Vinyl Coated Metal, Beige, (6 Foot Section)
	AC011-001-2	Duct Section, Vinyl Coated Metal, Gray, (6 Foot Section)
2	AC011-006	Air Block, End Cap, Vinyl Coated Metal, Beige
	AC011-006-2	Air Block, End Cap, Vinyl Coated Metal, Gray
3	AC011-018	Angle, End Cap Mounting
4	AC401-301	Grill, 3 Inch, Round, (Tour Style)
5	AC801-309	Spacer, Nylon, Bottom, 1/4 Inch, (Transit Style)
6	AC801-310	Spacer, Nylon, Top, 3/8 Inch, (Transit Style)
7	AC801-401	Gasket, Foam, 3/16 Inch X 3/8 Inch X Foot
8	34-50046-00	Screw, Pan Head Phillips, #10 X 3/4 Inch, Self Drilling, SST

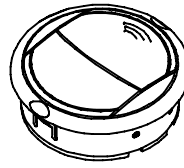
7.6 LOUVERS



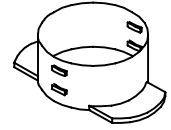
AC401-300



58-01379-00

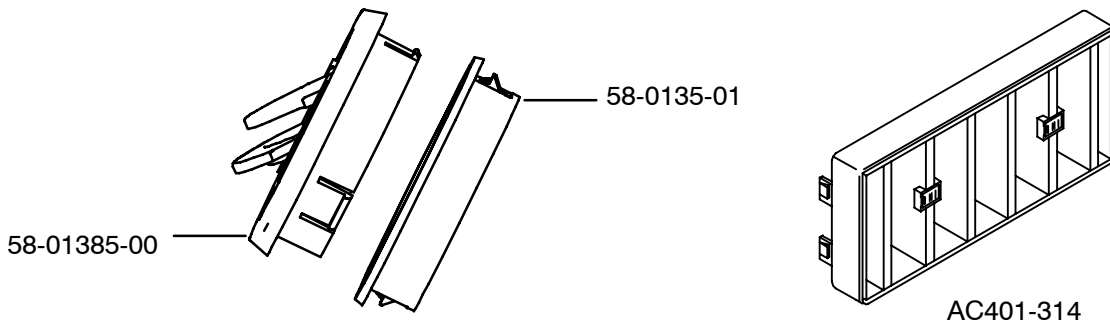


58-62077-00

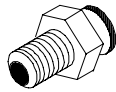


AC401-307

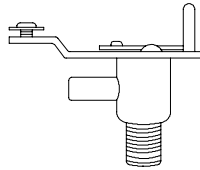
Part Number	Description
AC401-300	Grill, Round, 2 inch
AC401-301	Grill, Round, 3 inch
AC401-302	Louver, With Bezel - Black, 2 Inch X 1-1/2 Inch
58-01386-00	Ball Louver - 2-1/2 Inch Black, With Hose Back
AC401-306	Mounting Ring, Black - 2-1/4 Inch I.D.
AC401-307	Hose Adapter - 2-1/2 Inch
AC401-308	Louver, With Bezel - Black, 3 Inch X 7 Inch
AC401-309	Louver, Ball, 2 inch
AC401-310	Hose Connector - 2 Inch X 2-1/2 Inch
58-01379-00	Ball Louver, 2 Inch Black (Triple Vane) With 2.5 Inch Hose Adapter & Lock Ring
AC401-312	Louver Assembly With 2-1/2 Adapter, (401-313)
AC401-313	Louver Cover, (401-312)
AC401-314	Louver With Bezel - Black, 3-1/4 Inch X 7-3/4 Inch
AC401-315	Louver, With Bezel, Black, 1-1/2 inch X 4-3/4 inch
AC401-320	Louver, EM-1-2-3-6-14 (Gen III & GEN 4)
AC401-322	Adapter, Hose, 2 inch
AC401-323	Adapter, Hose, 3 inch
58-62077-00	Louver, Round, 2-1/2 Inch
58-01385-00	Louver, 3" (Requires 1 Ring 58-01385-01)
58-01385-01	Ring, Louver, Used With 58-01385-00



7.7 REFRIGERATION COMPONENTS



Valve, Air Vent



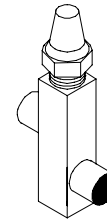
Valve -
Heat Control



Core -
Access Valve



Valve Body

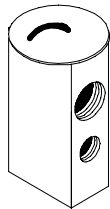


Shut-Off Valve

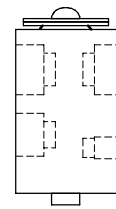
Part Number	Description
40-00081-00	Valve, Air Vent, 1/8 Inch MPT, Brass
AC101-408	Valve, Discharge, 5/8I Inch OD Tube
AC101-405	Valve, Drain Cock, 1/8 Inch MPT
AC101-406	Valve, Drain Cock, 1/4 Inch MPT
AC101-403	Valve, Water Service, Hand Operated
AC101-400	Valve, Heat Control, Cable Operated, (EM-21)
AC101-412	Valve, Refrigerant, 1/2 Inch Flare X 1/2 Inch Flare
AC101-415	Valve, Refrigerant, Angle, 1/2 Inch Flare X 1/2 Inch Flare
AC101-429	Valve, Shutoff, 1/2 Inch Flare X 1/2 Inch Flare
AC101-430	Valve, Shutoff, 1/2 Inch Female Flare X 1/2 Inch Male Flare O-Ring
AC101-428	Valve, Shutoff, 1/2 Inch Female Flare O-Ring X 1/2 Inch Male O-Ring
AC101-441	Valve, Shutoff, 5/8 inch Female O-Ring X 5/8 Inch Male O-Ring
EP32UZ232	Valve, Shutoff, 5/8 Inch Solder
AC101-404	Valve, Solenoid, 12 VDC, Refrigerant
AC101-401	Valve, Solenoid, 12 VDC, Water Service
AC101-407	Valve, Suction, 7/8 Inch OD Tube
AC101-425	Valve, 4-Way, Toggle, (Pivot Base)
AC101-426	Regulator, With Gauge, (Use with AC101-427)
AC101-427	Bracket, Regulator, (Use with AC101-426)
40-00190-00	Valve Body, 1/4 Inch MFL X 1/8 Inch MPT
17-13010-00	Fitting Access, 1/8 Inch MPT X 1/4 Inch Flare, With Schrader, Brass - Includes:
DD19CA061	...Cap, Seal, Flare, 1/4 Inch, Brass
14-00351-00	...Core, Access Valve (Nickel Plated)

7.8 THERMAL EXPANSION VALVE, BLOCK

R-12
VALVE



R-134A
VALVE
14-00301



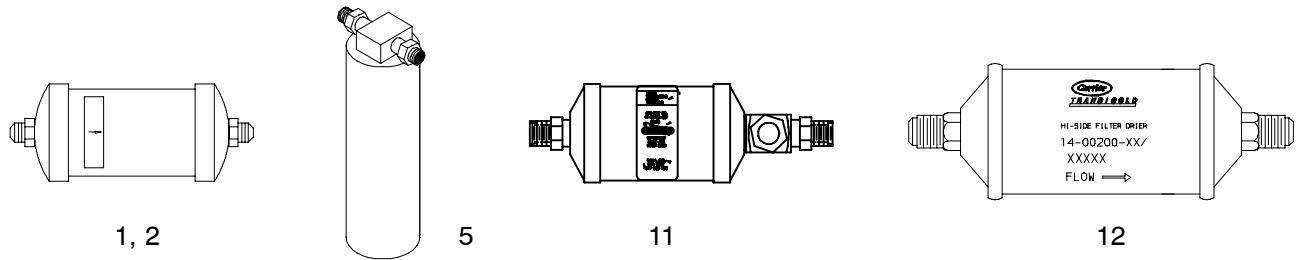
N/A	Thermal Expansion Valve, Block, R12 (AC101-100)
AC040-076	Thermal Expansion Valve, Block, R12, (EM-21)
AC101-103	Thermal Expansion Valve, Block, R22
14-00301-03	Thermal Expansion Valve, Block, R134a (GEN III, GEN 4 & GEN 5)
AC040-103	Thermal Expansion Valve, Block, R134a, (EM-21)
AC101-101	Thermal Expansion Valve, 3/8 Inch Flare X 1/2 Inch Flare
AC101-102	Thermal Expansion Valve, 3/8 Inch O-Ring X 1/2 Inch O-Ring
AC101-108	Thermal Expansion Valve, 4 Ton, Externally Equalized, R12 / R134a

7.9 SIGHTGLASSES



Part Number	Description
AC101-200	Sightglass Indicator. 1/2 Inch Male Flare X 1/2 Inch Female Flare (GEN 4) Includes:
P806-B2-8Gasket, Flare, 1/2 SAE, Copper
AMI1SS3	Sightglass Indicator. 3/8 Inch Solder X 3/8 Inch Solder (AC101-201)
KM43AG301	Sightglass Indicator. 5/8 Inch Solder X 5/8 Inch Solder
AC101-202	Sightglass, Bullseye, 7/8-14 Thread (GEN III)
AC101-203	Sightglass, Moisture Indicator, 7/8-14 Thread (GEN 4 - GEN-V)

7.10 DRIERS

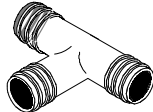


Item	Part Number	Description
1	AC101-303	Filter Drier, 16 Cubic Inch, 1/2 Inch Flare
2	AC101-312	Filter Drier, 16 Cubic Inch, 1/2 Inch Flare-O, (GEN 4)
3	N/A	Receiver Drier, 3/8 Inch Flare (AC101-301)
4	AC101-302	Receiver Drier, 3/8 Inch O-Ring, With Low Pressure Switch
5	AC101-311	Receiver Drier, 3/8 Inch Male O-Ring X 3/8 Inch Male O-Ring
6	AC101-304	Receiver Drier, Push-On, #8 Hose
7	AC101-305	Receiver Drier, Push-On, #6 Hose
8	AC101-307	Receiver Tank, (RF Series)
9	AC101-310	Receiver, Vertical, (CM-8)
10	AC101-306	Filter, Suction, 5/8 Inch Flare
11	14-00288-00	Filter Drier/Sightglass, 16 Cubic Inch, 1/2 Inch MO-R, (With Moisture Indicator)
12	14-00200-00	Filter Drier, 41 Cubic Inch, 5/8 Inch Flare
13	14-00320-00	Filter Drier, 41 Cubic Inch, 3/4 ORS (IN) X 5/8 ORS (OUT)

7.11 PLASTIC FITTINGS



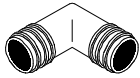
NYLON SPLICER



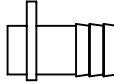
PLASTIC DRAIN TEE



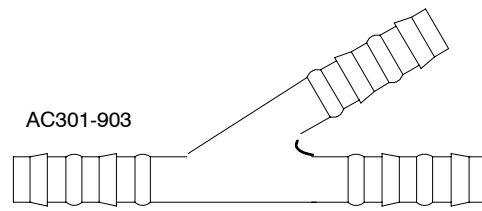
MPT TO BARB



PLASTIC DRAIN ELBOW



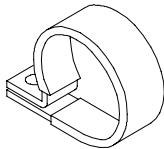
Drain Pan Nipple



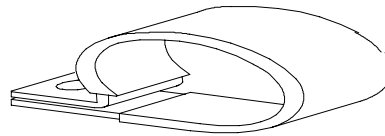
"Y" DRAIN LINE CONNECTION

AC301-900	Fitting, Plastic, Drain Elbow, 90°, 1/2 Inch OD
AC301-901	Fitting, Plastic, Drain Tee, 1/2 Inch OD
AC301-902	Fitting, Plastic, Drain Tube, Straight, 1/2 Inch OD, Anti-Slip
AC301-903	Fitting, Plastic, Heater, "Y", 5/8 OD or 3/4 Inch OD
N/A	Fitting, Plastic, Drain Tube, 90°, 1/2 inch OD, (EM-14) (AC301-904)
AC301-905	Elbow, Nylon, 90°, 1/4 Inch MPT, X 1/2 Inch Hose
AC301-907	Fitting, Plastic, Drain Tee, 5/8 Inch OD, (GEN III & GEN 4)
AC301-908	Fitting, Nylon, Drain Elbow, 90°, 5/8 Inch OD, (GEN III & GEN 4)
AC301-908-5	Fitting, Nylon, Drain Elbow, 90°, 1 Inch OD, (Blue Bird)
40-00541-00	Fitting, Hose, Plastic, 1 Inch MPT X 1 Inch "Barb", (Black)
40-00541-01	Fitting, Hose, Plastic, 3/4 Inch MPT X 1 Inch "Barb", (Black)
40-00541-02	Fitting, Hose, Plastic, 3/4 Inch MPT X 1 Inch "Barb", (White)
58-62142-02	Fitting, Splicer, Nylon, 1/2 Inch OD
58-62142-03	Fitting, Splicer, Nylon, 5/8 Inch OD
58-01380-00	Fitting, Hose, Nylon "Y", 5/8-3/4 Inch, Barbed (Black)
58-62159-00	Tube, Plastic, Drain Pans, GEN 5
58-50123-00	Fitting "Y" Connector, 1/2 " OD Nylon Hose Barb

7.12 INSULATED CLAMPS



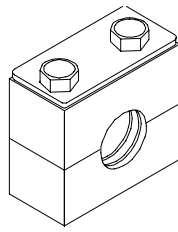
INSULATED CLAMP



INSULATED CLAMP - DOUBLE HOSE

Part Number	Description
34-00373-51	Clamp, Insulated, 1/4 Inch ID, Black
34-00373-53	Clamp, Insulated, 3/8 Inch ID, Black
34-00373-05	Clamp, Insulated, 1/2 Inch ID, Black
AC701-201	Clamp, Insulated, 5/8 Inch ID, Adel
44-00337-08	Clamp, Insulated, 3/4 Inch ID, Adel (AC701-221)
AC701-222	Clamp, Insulated, 7/8 Inch ID, Adel
44-00337-11	Clamp, Insulated, 1 Inch ID, Adel (AC701-223)
AC701-224	Clamp, Insulated, 1-1/8 Inch ID, Adel
AC701-245	Clamp, Insulated, 1-1/4 Inch ID, Black
AC701-230	Clamp, Insulated, 1-1/2 Inch ID, Black
AC701-263	Clamp, Insulated, Heavy Duty, 1-1/2 Inch ID, Black
AC701-246	Clamp, Insulated, 1-3/8 Inch ID, Black
AC701-227	Clamp, Insulated, 1-3/4 Inch ID, Black
34-00373-27	Clamp, Insulated, 1-7/8 Inch ID, Black
AC701-233	Clamp, Insulated, Double, 5/8 Inch OD, Tube
AC701-226	Clamp, Insulated, Double Hose, Black

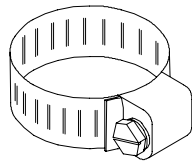
7.13 STAUFF CLAMPS



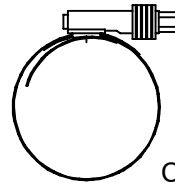
STAUFF CLAMP

AC701-248	Clamp, Stauff, 5/8 Inch OD Tube
AC701-242	Clamp, Stauff, 3/4 Inch OD Tube
44-00285-72	Clamp, Stauff, 7/8 Inch OD Tube
AC701-241	Clamp, Stauff, 1-1/8 Inch OD Tube
AC701-240	Clamp, Stauff, 1-3/8 Inch OD Tube
AC701-254	Clamp, Stauff, 1-3/8 Inch OD Tube, High Temperature

7.14 HOSE CLAMPS



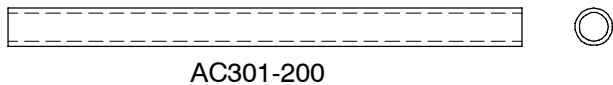
HOSE CLAMP



44-62003-00 THRU -03
CLAMP, CONSTANT TORQUE

Part Number	Description
AC701-205	Clamp, Drain Hose
AC701-207	Clamp, #16 Hose
AC701-211	Clamp, Hose, Mini, 7/32 Inch to 5/8 Inch Diameter
AC701-234	Clamp, Hose, 1/2 Inch to 1-1/4 Inch Diameter
AC701-229	Clamp, Hose, 1-1/8 Inch to 3 Inch Diameter
AC701-210	Clamp, Hose, 1-5/16 Inch to 2-1/4 Inch Diameter
AC701-247	Clamp, Hose
AC701-269	Clamp, Hose, 2-1/16 Inch to 3 Inch, Stainless Steel,, (GEN III / GEN 4)
44-62003-00	Clamp, Constant Torque (Effective Range: 2.75 - 3.62)
44-62003-01	Clamp, Constant Torque (Effective Range: 3.25 - 4.13)
44-62003-02	Clamp, Constant Torque (Effective Range: 1.75 - 2.63)
44-62003-03	Clamp, Constant Torque (Effective Range: 2.25 - 3.13)

7.15 CONDENSATE VALVE & DRAIN HOSE



AC301-200



AC301-239



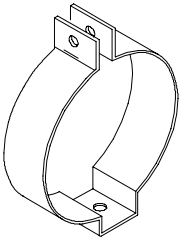
AC301-204



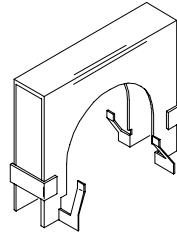
AC301-240

Part Number	Description
AC301-204	Hose, Condensate Valve, 1 Inch X 3 inch Long, GEN I, GEN II & GEN 5 (Kazoo)
AC301-240	Hose, Condensate Valve, 1-1/4 Inch X 3 inch Long, GEN III & GEN 4 (Kazoo)
AC301-200	Hose, Drain, 1/2 Inch ID X 50 Feet Long, (GEN I, GEN II & GEN 5)
AC301-239	Hose, Drain, 5/8 Inch ID X Foot, (GEN III & GEN 4)

7.16 MISCELLANEOUS CLAMPS



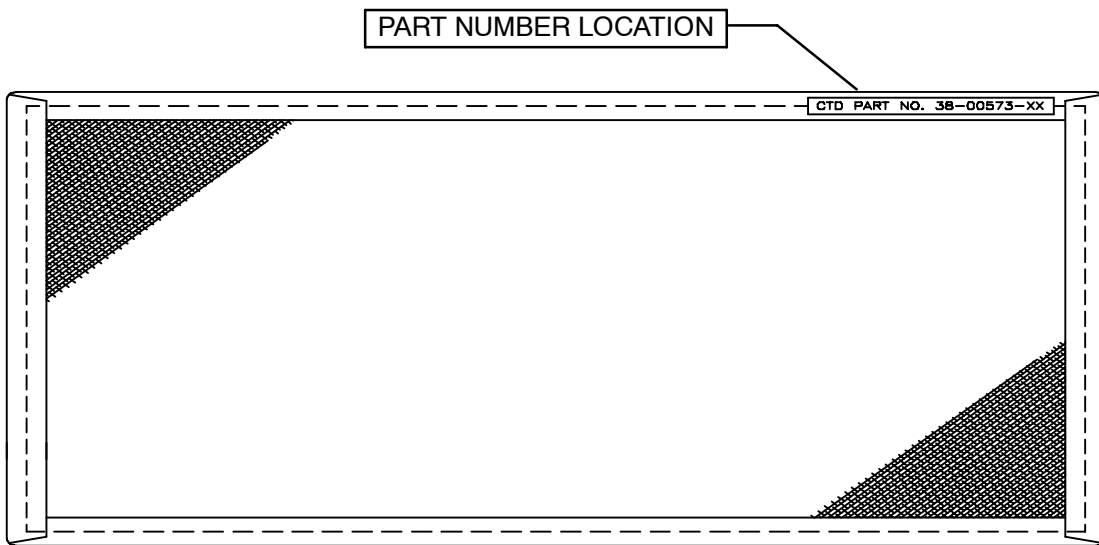
Filter Drier
Mounting
Clamp



Spring-
Lock
Clip

N/A	Clip, Spring-Lock, #8 (AC701-251)
N/A	Clip, Spring-Lock, #10 (AC701-252)
N/A	Clip, Spring-Lock, #12 (AC701-253)
AC701-235	Clamp, Lock, #6 to #12 Hose
AC701-243	Clamp, Conduit, 3 Inch, Stainless Steel
AC701-208	Clamp, Filter Drier Mounting, (GEN I & II)
AC701-212	Clamp, Muffler, 1-1/2 Inch
AC701-231	Clamp, One Hole Strap, 2 Inch ID, (CM-9)
AC701-274	Clamp, Slotted, 3/8 Inch Conduit, (GEN III & GEN 4)
AC701-206	Clamp, Thermostat Coil
AC701-237	Connector, Romex, 1/2 Inch

7.17 RETURN AIR FILTERS



Part Number	Description
38-00573-00	Filter, Return Air, EM-22, 13.82 x 8.00 Inches (351.0 x 203.2 MM)
38-00573-01	Filter, Return Air, EM-1, 36.50 x 9.00 Inches (927.1 x 228.6 MM)
38-00573-02	Filter, Return Air, EM-2, 27.92 x 9.00 Inches (709.2 x 228.6 MM)
38-00573-03	Filter, Return Air, EM-7, 20.65 x 9.00 Inches (524.5 x 228.6 MM)
38-00573-04	Filter, Return Air, EM-3, 26.81 x 9.00 Inches (681.0 x 228.6 MM)
38-00573-05	Filter, Return Air, IW-7, 19.00 x 5.50 Inches (482.6 x 139.7 MM)
38-00573-06	Filter, Return Air, IW-2, 26.30.82 x 5.75 Inches (668.0 x 146.1 MM)
38-00573-07	Filter, Return Air, EM-3 Gen 4, 26.25 x 8.00 Inches (666.8 x 203.2 MM)
38-00573-08	Filter, Return Air, IW-1, 34.00 x 6.40 Inches (863.6.0 x 162.6 MM)
38-00573-09	Filter, Return Air, ESS, 18.20 x 8.00 Inches (462.3 x 203.2 MM)

PART NUMBER INDEX

PART NO.	PAGE NO.	PART NO.	PAGE NO.	PART NO.	PAGE NO.
02-00067-01,	170	10-00286-03,	238, 267, 299, 300, 301, 302, 303	12-00334-02,	76
02-62000-00,	93			12-00334-03,	76
02-62001-01,	178, 181, 184, 187	10-00286-08,	238	12-00512-00,	249
04-50023-00,	76, 77, 244	10-00286-09,	238, 259, 263, 267, 269, 271	12-00512-02,	249
08-50017-00,	78	10-00286-12,	238	12-00512-08,	249
08-50018-00,	151	10-00286-14,	238, 252, 253, 254, 255, 256, 257, 258, 260, 262, 273, 274, 276, 279, 280, 282, 284, 285, 286, 288, 290, 293, 294, 296, 298	12-00533-00,	8, 26, 63
08-50020-00,	152			12-00547-00,	5, 9, 13, 19, 25, 27, 31, 36, 37, 45, 53, 57, 63, 81, 85, 89, 91, 93, 103, 111, 113, 115, 241
08-50021-00,	79			12-00567-00,	249, 261, 264, 274, 279, 280, 282
08-62005-00,	140			12-00570-00,	249
08-62006-00,	76	10-00300-00,	140	12-00657-00,	267, 269, 271
08-62012-00,	77	10-00300-02,	269, 271	12-01132-00,	140
08-62023-00,	76	10-00301-00,	252	12-50139-00,	78, 79
08-62031-00,	9, 13, 19, 81	10-00311-00,	267, 269, 271	12-50140-00,	78, 79
08-62031-01,	27, 31, 37	10-00312-00,	267, 269, 271	14-00026-04,	161, 167
08-62031-02,	53, 57, 63	10-00317-01,	150	14-00029-04,	149, 161, 165
08-62035-00,	118	10-00328-00,	237, 252, 254, 255, 256, 257, 258, 264, 274, 276, 282, 284, 285, 286, 288, 291, 294, 296, 298, 299, 300, 301, 302, 303	14-00029-07,	140
08-62035-01,	128			14-00029-09,	167
08-62036-00,	145, 149	10-00436-01,	267	14-00200-00,	142, 319
08-62037-00,	45	10-00444-00,	261, 275, 279	14-00288-00,	118, 128, 176, 182, 319
08-62038-00,	161, 165	10-50052-00,	243, 269, 271	14-00301-03,	3, 5, 9, 13, 19, 23, 25, 27, 31, 37, 43, 45, 51, 53, 57, 63, 69, 73, 75, 78, 79, 81, 85, 89, 91, 93, 102, 111, 113, 115, 318
08-62038-01,	161, 165	10-50052-01,	243, 269, 271	14-00320-00,	161, 167, 319
08-62045-00,	111	10-50067-00,	78	14-00351-00,	102, 111, 115, 199, 318
08-62045-01,	102	10-50068-00,	78	14-01032-01,	143, 161, 165, 167
08-62046-00,	167	10-50069-00,	78	14-01042-08,	150
08-62046-01,	167	105-6121,	225	14-01104-37,	77
08-62056-00,	85, 89, 91, 93	106-1922,	194	14-01104-39,	76
08-62057-00,	182	106-1922-1,	194	14-50047-00,	76
08-62057-01,	176	108-1921SV,	224	14-50097-00,	78
08-62059-00,	3, 5, 23, 25	12-00299-01,	77	14-50098-00,	78, 79
08-62060-00,	3, 23	12-00299-02,	76		
08-62061-00,	51	12-00299-09,	76		
08-62062-00,	51	12-00299-11,	140		
08-62063-00,	73, 75	12-00299-18,	76		
08-62064-00,	73, 75, 113, 115				
08-62065-00,	69				
08-62066-00,	69				
08-62067-00,	43				
08-62068-00,	43				
10-00286-00,	238				

PART NUMBER INDEX

PART NO.	PAGE NO.	PART NO.	PAGE NO.	PART NO.	PAGE NO.
17-10812-00,	150	18-00093-01,	220	22-01334-07,	242, 253, 254,
17-13010-00,	318	18-00093-02,	220		259, 260, 261,
17-21003-00,	229	18-00093-03,	220		262, 263, 267,
17-31200-01,	229	18-00093-04,	220		269, 271, 273,
17-31200-02,	229	18-00093-06,	224	22-01334-08,	279, 280, 282,
17-31200-03,	229	18-00093-07,	224		293
17-31202-00,	229	18-00093-08,	220	22-01334-09,	242
17-31203-00,	229	18-00093-09,	224		242, 256, 257,
17-31205-00,	229	18-00093-10,	224		277, 287, 289,
17-31207-00,	229	18-00093-11,	224	22-01334-10,	291, 298
17-31244-00,	227, 228	18-00093-12,	224	22-01334-11,	242
17-31245-00,	228	18-00093-13,	224		242, 265, 275,
17-31246-00,	228	18-00093-14,	220	22-01334-12,	284, 294, 296
17-31247-00,	228	18-00093-15,	220	22-01334-13,	242
17-31248-00,	227, 228	18-00093-16,	220	22-01344-11,	242, 285
17-31249-00,	228	18-00093-17,	224	22-01449-00,	258
17-31252-00,	225	18-10123-02,	226	22-01451-00,	269, 271
17-31253-00,	228	18-10123-03,	226	22-01566-00,	181, 187, 249
17-31254-00,	225	18-10123-04,	226	22-01584-00,	170, 174
17-31258-00,	225	18-10123-05,	226	22-01585-00,	76
17-31260-00,	228	18-10123-06,	226	22-01585-02,	170, 295, 297
17-31261-00,	228	18-10123-07,	226	22-01585-04,	151, 301, 302
17-31262-00,	228	18-10123-08,	226	22-01800-00,	170, 174
17-31263-00,	228	18-10123-09,	226		236, 287, 289,
17-31264-00,	228	18-60002-03SV,	229		291, 295, 297,
17-31265-00,	228	22-00118-02,	174, 177, 183		298
17-31266-00,	228	22-01292-03,	181, 187	22-01827-01,	267
17-31267-00,	228	22-01327-00,	232	22-01828-00,	267
17-31270-00,	219	22-01334-00,	242, 256	22-02336-00,	236
17-31307-00,	225	22-01334-01,	242	22-02336-01,	236
17-31308-00,	225	22-01334-02,	242	22-02336-02,	280
17-31309-00,	226	22-01334-03,	242	22-02336-04,	236, 279, 282
17-31310-00,	226	22-01334-04,	242	22-02336-05,	5, 25, 71
17-40034-00,	41	22-01334-05,	242	22-02336-06,	140, 236, 267,
17-40034-05,	17, 67, 69, 75	22-01334-06,	242		269, 271
18-00073-00,	230			22-02336-15,	236
18-00073-01,	230			22-02336-16,	267, 269, 271
18-00074-35,	223			22-02336-17,	236, 237, 254,
18-00074-36,	223				255, 256, 257,
18-00093-00,	220				258, 264, 269,
					271, 274, 276,
					282, 284, 285
				22-02336-23,	170
				22-02336-24,	170

PART NUMBER INDEX

PART NO.	PAGE NO.	PART NO.	PAGE NO.	PART NO.	PAGE NO.
22-02336-25,	118, 119, 120, 121, 123, 128, 129, 130, 131, 133, 145, 180, 186, 244	22-50078-47E,	152	22-50099-34,	240
22-02336-31,	236, 287, 289, 291, 295, 297, 298, 299, 300, 301, 302, 303	22-50078-48G,	131	22-50099-34B,	240
22-02338-02,	279, 280, 282	22-50078-49A,	93	22-50099-34C,	240
22-02338-03,	170	22-50078-49C,	93	22-50245-00,	253
22-02338-04,	5, 25, 71	22-50078-49L,	140, 236	22-50341-00,	78
22-02392-00,	121, 122, 123, 131, 132, 133, 145	22-50078-50A,	119, 129	22-50342-00,	78
22-02392-03,	170, 174	22-50078-52E,	131	22-50343-00,	151
22-02393-00,	170, 174	22-50078-53C,	93	22-50358-00,	152
22-02393-01,	121, 122, 123, 131, 132, 133, 145, 170	22-50078-53D,	93	22-50371-00,	122, 123, 132, 133, 145
22-02394-00,	121, 122, 123, 131, 132, 133, 145, 152, 170, 174	22-50078-58H,	151	22-50372-00,	122, 123, 132, 133, 145
22-02394-01,	151, 170	22-50078-63,	295, 297, 301	22-60168-03,	249
22-02394-02,	232	22-50078-64,	297, 302	22-60168-04,	249
22-04065-00,	20, 58	22-50078-72,	129, 289, 300, 302	22-60551-06,	249
22-50030-00,	76	22-50078-72A,	119, 129	22-60551-07,	249
22-50078-01,	152, 232	22-50078-73,	287, 289, 291, 296, 298, 299, 300, 302, 303	22-62002-00,	85, 89, 103, 113, 115
22-50078-01A,	152, 232	22-50078-86,	93	22-62007-00,	241
22-50078-02,	152	22-50078-86A,	93	22-62011-00,	5, 25, 43, 51
22-50078-18,	237, 254, 255, 256, 257, 258, 264, 274, 276, 282, 284, 285, 286, 288, 291, 294, 296, 298, 299, 300, 301, 302, 303	22-50078-87,	287, 289, 291, 295, 296, 298, 299, 300, 301, 302, 303	22-62036-00,	269, 271
22-50078-22,	140, 236	22-50079-72,	119	22-62037-00,	269, 271
22-50078-23,	140, 236	22-50091-00,	76, 77, 244	22-62038-00,	269, 271
22-50078-40,	121, 131	22-50098-67,	93, 119, 129	22-62039-01,	269, 271
22-50078-45,	287, 289, 291, 295, 296, 298, 299, 300, 301, 302, 303	22-50098-67A,	93	22-62039-02,	269, 271
22-50078-46A,	119, 129	22-50098-67B,	93, 119, 121, 129	22-62040-00,	269, 271
22-50078-47B,	152, 232	22-50098-67C,	93	22-62052-00,	186
		22-50098-67D,	93, 119, 121, 129	22-62053-00,	180
		22-50098-71,	174, 287, 289, 291, 295, 296, 298, 299, 300, 301, 302, 303	22-62054-00,	243
		22-50098-91A,	267	22-62099-00,	8, 12, 26, 36, 45, 53, 63
		22-50099-28,	123, 133, 146	22-62100-00,	8, 12
		22-50099-28A,	123, 133, 146	22-62100-01,	19, 45
		22-50099-33,	239, 240	22-62101-00,	243
		22-50099-33A,	239	22-62102-00,	243
		22-50099-33B,	239	22-62103-00,	243
				22-62109-00,	85, 87, 91
				22-62110-00,	236, 237, 254, 255, 256, 257, 258, 264, 274, 276, 282, 284, 285

PART NUMBER INDEX

PART NO.	PAGE NO.	PART NO.	PAGE NO.	PART NO.	PAGE NO.
22-62119-00,	236	22-62212-02,	239	22-62240-01,	115
22-62119-01,	236	22-62213-00,	240	22-62243-00,	169, 170
22-62119-02,	236	22-62213-01,	240	22-62243-01,	169, 170
22-62123-00,	118, 120	22-62214-30,	240	22-62247-00,	20, 32, 58
22-62124-00,	128, 130	22-62214-58,	240	22-62249-00,	174
22-62125-00,	3	22-62214-68,	240	22-62255-00,	232
22-62126-00,	23, 51	22-62216-00,	269, 271	22-62256-00,	299, 300, 301, 302, 303
22-62127-00,	71	22-62217-00,	240	22-62258-00,	131, 132
22-62128-00,	73, 75	22-62223-00,	73, 75	22-62260-00,	121
22-62131-00,	248	22-62225-00,	23, 51	22-62261-00,	20, 32, 45, 58
22-62132-00,	43	22-62226-00,	71	22-62266-00,	5
22-62141-00,	26, 36	22-62227-00,	43	22-62267-00,	25
22-62141-01,	31, 45, 53, 57, 63	22-62238-00,	237, 254, 255, 256, 257, 258, 260, 276, 280, 283, 285, 286, 288, 290, 293, 294, 296, 298, 299, 300, 301, 302, 303	22-62272-00,	133
22-62143-00,	81	22-62238-01,	237, 257, 258, 260, 265, 274, 276, 280, 283, 285, 286, 288, 290, 293, 294, 296, 298, 299, 300, 301, 302, 303	22-62273-00,	122, 123
22-62153-00,	170	22-62238-02,	237, 253, 254, 255, 256, 257, 258, 259, 261, 262, 263, 264, 265, 273, 275, 276, 279, 281, 283, 284, 285, 286, 288, 290, 294, 296, 298, 299, 300, 301, 302, 303	22-62274-00,	93
22-62163-00,	149	22-62238-03,	237, 253, 254, 255, 256, 257, 258, 259, 262, 263, 273, 277, 279, 281, 282, 284, 285, 286, 289, 290, 293, 294, 296, 298, 299, 300, 301, 302, 303	22-62275-00,	145
22-62164-00,	45	22-62240-00,	3, 89, 91, 103	22-62277-00,	123, 133, 146
22-62168-00,	8, 12, 20, 26, 31, 36, 45, 53, 58, 63			32-24-01-013,	159
22-62168-01,	8, 12, 58			32-24-01-016,	159
22-62169-00,	19, 31, 45, 57, 241			34-00300-06,	177, 183
22-62175-00,	111			34-00300-08,	181, 187
22-62204-00,	20, 32, 45			34-00303-04,	161, 167
22-62205-00,	129			34-00309-08,	139
22-62206-00,	119			34-00361-11,	71, 139, 142, 267
22-62210-00,	237, 286, 288, 291, 294, 296, 298, 299, 300, 3 01, 302, 303			34-00361-12,	233
22-62210-01,	237, 254, 255, 256, 257, 258, 264, 274, 276, 282, 284, 285			34-00361-13,	3, 11, 16, 23, 35, 40, 42, 46, 61, 66, 69, 75, 315
22-62210-02,	237, 294, 296, 298, 299, 300, 301, 302, 303			34-00361-61,	5, 25
22-62210-03,	254, 255, 256, 257, 258, 264, 274, 276, 282, 284, 285			34-00363-13,	17, 41, 67, 69, 75
22-62212-00,	239			34-00366-13,	69, 75
22-62212-01,	239			34-00368-11,	177, 181, 183, 187
				34-00368-12,	142, 161, 167
				34-00368-13,	17, 41, 67, 69, 75
				34-00372-09,	19, 31, 57
				34-00373-05,	320
				34-00373-07,	161, 167

PART NUMBER INDEX

PART NO.	PAGE NO.	PART NO.	PAGE NO.	PART NO.	PAGE NO.
34-00373-27,	320	34-00733-05,	19, 31, 57, 91	34-06051-101,	171, 172
34-00373-51,	320	34-00792-06,	106, 107	34-06051-104,	161, 165, 167, 171, 172, 173
34-00373-53,	320	34-00792-08,	113, 115, 143	34-06053-12,	125, 135
34-00482-05,	8, 13, 19, 27, 31, 37, 45, 53, 57, 63	34-00792-12,	142	34-06088-00,	167
34-00588-11,	181, 187	34-00917-08,	5, 25, 81, 85, 86, 89, 91, 93, 95, 106, 113, 115	34-06088-07,	125, 135
34-00588-12,	161, 167, 233	34-00917-12,	87, 89, 93, 94, 97, 98, 99, 100, 101, 107, 108	34-06121-03,	161, 167
34-00588-13,	3, 11, 16, 23, 35, 40, 42, 61, 66, 315	34-00917-20,	108	34-06121-04,	161, 167
34-00615-08,	233	34-00928-09,	162, 165, 168, 170, 171, 172, 173	34-06132-02,	267
34-00655-04,	267, 269, 271	34-00928-14,	182	34-06169-01,	10, 15, 21, 22, 29, 33, 34, 39, 41, 47, 55, 59, 60, 65, 67, 83, 86, 94, 95, 96, 99, 116
34-00655-06,	265, 275, 281, 283	34-00944-06,	161, 165, 167, 171, 172, 173	34-06212-12,	19, 31, 57, 139, 142
34-00655-10,	267	34-00944-08,	170	34-06212-13,	143
34-00655-12,	5, 19, 25, 31, 57, 81, 85, 89, 91, 93, 113, 115	34-00945-06,	161, 165, 167, 171, 172, 173	34-06224-00,	105
34-00655-22,	142	34-00945-08,	170	34-50040-00,	71, 269, 271
34-00655-24,	143	34-00945-10,	203, 204, 205	34-50042-00,	83
34-00662-08,	267, 269, 271	34-00946-06,	161, 165, 167, 171, 172, 173	34-50043-00,	81
34-00662-11,	5, 25, 81, 85, 89, 91, 93, 113, 115, 122, 132, 145, 149, 265, 267, 269, 271, 275, 281, 283	34-00971-02,	42	34-50044-00,	315
34-00662-12,	106, 107, 113, 115	34-01099-02,	86, 94, 95, 96	34-50045-00,	46
34-00663-08,	267, 269, 271	34-01146-04,	162, 167	34-50046-00,	316
34-00663-11,	113, 115, 139, 142, 265, 267, 269, 271, 275, 281, 283	34-01151-04,	161, 167	34-50057-00,	71
34-00663-12,	106, 107, 113, 115	34-01197-16,	161, 167	34-50059-00,	103
34-00666-11,	113, 115	34-01241-30,	170	34-50060-00,	75
34-00666-12,	142	34-01266-20,	161, 165, 167, 172	34-50068-00,	315
34-00667-61,	81, 85, 89, 91, 93	34-01268-01,	178, 184	34-60002-06,	162, 165
34-00677-10,	142	34-01295-18,	181, 187	34-60019-02,	206
34-00733-00,	81, 85, 89, 91, 93, 102, 111, 113, 115, 149	34-01306-00,	97, 98, 100, 101	34-60019-03,	181, 187, 206
		34-01310-00,	16, 40, 66, 69, 75	34-60019-04,	204, 205, 206
		34-01310-01,	3, 7, 11, 23, 35, 61	34-60019-05,	204, 205, 206, 234, 235
		34-01310-02,	17, 41, 67, 69, 75	34-60095-46,	167
		34-01317-00,	126	34-62011-00,	81, 85, 86, 87, 89, 91, 93, 119, 120, 121, 122, 123, 126, 129, 130, 131, 132, 133, 136, 145, 146, 149, 150, 179, 180, 186
		34-01371-00,	136	34-62016-00,	162, 165, 168, 171, 172, 173

PART NUMBER INDEX

PART NO.	PAGE NO.	PART NO.	PAGE NO.	PART NO.	PAGE NO.
34-62017-00,	170	38-00564-52,	53, 57, 63	40-00520-02,	196
34-62018-00,	19, 31, 45, 57	38-00564-60,	8, 13, 19	40-00520-03,	196
34-62019-00,	10, 15, 21, 22, 29, 33, 34, 39, 41, 47, 55, 59, 60, 65, 67, 83, 86, 94, 95, 96, 99, 116	38-00564-61,	27, 31, 37	40-00529-00,	196
34-62020-00,	10, 15, 21, 22, 29, 33, 34, 39, 41, 47, 55, 59, 60, 65, 67, 83, 86, 94, 95, 96, 99, 116	38-00564-62,	53, 63	40-00541-00,	320
34-62021-00,	171, 172, 173	38-00564-63,	45	40-00541-01,	320
34-62021-01,	176	38-00564-70,	9	40-00541-02,	320
34-62023-00,	19, 103, 111	38-00564-71,	9	40-01094-01,	201
34-62033-00,	31, 57	38-00566-00,	170	40-01094-02,	201
34-62036-50,	203, 204, 205	38-00573-00,	322	40-01094-03,	201
34-62036-55,	203, 204, 205	38-00573-01,	10, 15, 21, 22, 83, 97, 116, 322	40-01094-04,	201
34-62045-00,	127, 137, 146	38-00573-02,	29, 33, 34, 39, 41, 59, 60, 322	40-01094-05,	201
34-62045-36,	116	38-00573-03,	55, 65, 67, 322	40-01094-06,	201
34-62046-00,	3, 11, 17, 35, 41, 46, 61, 67, 69, 75, 103, 111, 315	38-00573-04,	47, 322	40-01094-07,	201
34-62047-01,	185	38-00573-05,	111, 322	40-01094-08,	201
34-62050-04,	5, 19, 25, 31, 47, 57, 85, 89, 113, 115, 149	38-00573-06,	103, 108, 322	40-01094-09,	201
34-62051-04,	93	38-00573-07,	43, 322	40-01094-10,	201
34-62051-05,	5, 25, 85, 89, 91, 102, 111	38-00573-08,	86, 94, 95, 96, 98, 99, 100, 101, 322	40-01094-11,	201
34-62055-00,	5, 25, 113, 115	38-00573-09,	322	40-01094-12,	201
34-62057-01,	111	38-50032-00,	78, 79	40-01094-13,	201
34-62057-03,	19, 31, 57	40-00081-00,	318	40-01094-14,	201
34-62068-00,	109	40-00097-10,	142	40-01094-15,	201
34-00829-11,	179, 185	40-00124-00,	102	40-01094-16,	201
38-00558-00,	69	40-00169-13,	150	40-01094-17,	201
38-00564-00,	8, 19	40-00169-33,	143	40-01094-18,	201
38-00564-01,	27, 37	40-00190-00,	318	40-01094-19,	201
38-00564-02,	63	40-00201-04,	149	40-01094-20,	201
38-00564-03,	45	40-00243-21,	203	40-01124-00,	111, 115
38-00564-50,	8, 13, 19	40-00490-12,	150	40-50031-00,	194
38-00564-51,	27, 31, 37	40-00491-00,	140, 167	40-60042-01,	196
		40-00491-01,	76	40-60050-02,	196
		40-00491-09,	141, 142	40-60050-03,	196
		40-00491-15,	76	40-60050-04,	196
		40-00491-18,	150	40-60050-05,	196
		40-00501-05,	142, 161, 167	40-60050-06,	196
		40-00501-50,	143, 161, 167	40-60050-07,	196
		40-00503-03,	161, 167	40-60051-02,	197
		40-00503-04,	161, 167	40-60051-03,	197
				40-60051-04,	197
				40-60051-07,	197
				40-60058-04,	199
				40-60058-05,	199, 204, 205

PART NUMBER INDEX

PART NO.	PAGE NO.	PART NO.	PAGE NO.	PART NO.	PAGE NO.
40-60059-02,	199	40-60083-03,	197	40-62026-00,	198
40-60059-03,	199	40-60083-04,	197	40-62027-00,	200
40-60059-04,	199, 204, 205	40-60083-07,	197	40-62027-01,	200
40-60060-02,	196	40-60083-08,	197	40-62032-01,	149, 150, 161, 165, 174, 191
40-60060-03,	196	40-60084-02,	197	40-62032-02,	143, 149, 174, 189, 190, 191
40-60060-04,	196	40-60084-03,	197	40-62033-03,	193
40-60060-05,	196	40-60084-04,	197	40-62033-04,	193
40-60060-06,	196, 205	40-60084-05,	197	40-62033-05,	193
40-60060-07,	196, 205	40-60084-06,	197	40-62036-00,	118, 128, 145, 149
40-60060-08,	196	40-60084-07,	197	40-62043-00,	195
40-60061-02,	196	40-60086-03,	200	40-62045-00,	198
40-60061-03,	196	40-60086-04,	200	40-62051-00,	202
40-60061-04,	196	40-60086-05,	200	40-62052-00,	202
40-60061-05,	196, 234, 235	40-60137-03,	200	40-62053-00,	202
40-60061-06,	196, 204	40-60137-04,	200	40-62054-00,	202
40-60061-07,	196, 204	40-60137-05,	200	40-62055-00,	202, 235
40-60061-08,	196	40-62008-03,	193, 203, 204, 205	40-62057-02,	193
40-60078-02,	198	40-62008-04,	193, 203, 204, 205	40-62057-03,	193
40-60078-03,	198	40-62008-05,	193, 203	40-62058-00,	195
40-60078-04,	198	40-62012-00,	200	40-62068-00,	194
40-60078-05,	198	40-62012-01,	200, 234	40-62068-01,	194
40-60078-06,	198	40-62012-02,	200	40-62069-01,	193
40-60078-07,	198	40-62016-00,	198, 199	40-62070-00,	195
40-60079-02,	198	40-62017-00,	181, 187, 200	40-62071-00,	195
40-60079-03,	198	40-62017-01,	200	40-62075-00,	201
40-60079-04,	198	40-62019-00,	195	40-62078-00,	193
40-60079-05,	198	40-62019-01,	195	40-62079-00,	193
40-60079-06,	198	40-62019-02,	195, 235	40-62082-00,	193
40-60079-07,	198	40-62019-03,	195	40-62083-00,	193
40-60080-02,	198	40-62019-04,	195	40-62086-00,	200
40-60080-03,	198	40-62020-00,	199	40-62087-00,	200
40-60080-04,	198	40-62020-01,	199	40-62088-00,	200, 203
40-60080-05,	198	40-62021-00,	198	40-62089-00,	200, 203
40-60080-06,	198	40-62021-01,	198	40-62090-00,	194
40-60080-07,	198	40-62022-00,	199, 205	40-62091-00,	194
40-60081-02,	199	40-62023-00,	199, 205	40-62092-00,	194
40-60081-03,	199	40-62025-00,	200	40-62095-00,	201
40-60081-04,	199	40-62025-01,	200	40-62096-00,	201
40-60081-05,	199			40-62099-00,	197
40-60083-02,	197				

PART NUMBER INDEX

PART NO.	PAGE NO.	PART NO.	PAGE NO.	PART NO.	PAGE NO.
40-62100-00,	194	42-62117-00,	8, 13, 19	46-50008-05,	231
40-62113-00,	194	42-62117-01,	27, 31, 37, 45	48-62013-00,	304
40-62113-01,	194	42-62117-02,	53, 57, 63	48-62016-00,	304
40-62114-00,	193	42-62118-00,	8, 13, 19, 27, 31, 37, 45, 53, 57, 63	48-62016-01,	304
40-62116-00,	196	42-62127-00,	177, 183	48-62016-02,	304
40-62117-00,	196	42-62127-03,	177	48-62016-03,	304
40-62118-00,	194	42-62137-00,	5, 25	48-62016-04,	304
40-62119-00,	193	42-62140-00,	8, 12, 19	48-62016-05,	304
40-62120-00,	193	42-62140-01,	26, 31, 36, 45, 53	48-62016-06,	304
42-00032-00,	5, 9, 13, 25, 27, 37, 45, 53, 57, 63, 78, 79, 103, 113, 115	42-62140-02,	57, 63	48-62016-07,	304
42-00032-01,	85, 89, 91, 93, 111	42-62141-00,	178, 184	48-62016-08,	304
42-00221-18,	179	44-00045-06,	78, 79	48-62018-00,	304
42-00221-19,	185	44-00045-19,	125, 135	48-62018-01,	304
42-00221-20,	179, 185	44-00045-20,	161, 167	48-62018-02,	304
42-00221-21,	179, 185	44-00045-30,	233	50-50001-00,	229
42-00221-22,	176, 182	44-00285-72,	321	50-50002-00,	229
42-00243-00,	141	44-00285-81,	161, 165	50-50061-00,	231
42-00243-03,	141	44-00285-82,	142	50-50062-00,	231
42-00243-11,	161, 167	44-00337-08,	320	50-50063-00,	231
42-00243-15,	161, 167	44-00337-11,	320	50-50066-00,	231
42-00243-21,	202	44-50024-00,	118, 128, 180, 186, 244	50-50067-00,	231
42-00264-12F25,	5, 25	44-62003-00,	321	50-50069-00,	231
42-01159-00,	229	44-62003-01,	321	50-50070-00,	231
42-01227-00,	103	44-62003-02,	321	50-50072-00,	231
42-01228-00,	103	44-62003-03,	321	50-50074-00,	226
42-01229-00,	103	44-64008-00,	207	50-50075-00,	226
42-01229-01,	85, 89, 91, 93	44-64008-01,	207	50-50076-00,	226
42-01229-02,	85, 89, 91, 93	44-64008-02,	207	50-50077-00,	221
42-01230-00,	103	44-64008-03,	207	50-50078-00,	221
42-01230-01,	103	44-64009-00,	207	50-60135-00,	225
42-62016-00,	76, 77	44-64009-01,	207	50-60136-00,	225
42-62021-00,	269, 271	44-64009-02,	207	50-60234-00,	225
42-62052-00,	8, 12, 19, 26, 31, 36, 45, 53, 57, 63	44-64009-03,	207	50-60235-00,	225
42-62111-01,	85, 89, 91, 93	46-50004-00,	231	50-62000-00,	307
42-62111-02,	85, 89, 93	46-50006-00,	231	50-62000-01,	307
42-62111-03,	91	46-50006-01,	231	50-62000-02,	308
		46-50008-04,	231	50-62000-03,	307
				50-62000-04,	308
				50-62000-05,	308
				50-62000-06,	308
				50-62000-07,	307

PART NUMBER INDEX

PART NO.	PAGE NO.	PART NO.	PAGE NO.	PART NO.	PAGE NO.
50-62000-08,	307	50-62000-72,	309	50-62010-19,	311
50-62000-09,	307	50-62000-73,	309	50-62010-20,	311
50-62000-10,	307	50-62000-74,	309	50-62011-00,	305
50-62000-11,	307	50-62000-75,	309	50-62012-00,	305
50-62000-12,	307	50-62000-76,	309	50-62014-00,	305
50-62000-13,	308	50-62000-77,	309	50-62017-00,	305
50-62000-14,	308	50-62000-78,	307	50-62019-00,	309
50-62000-15,	308	50-62000-79,	307	50-62019-01,	309
50-62000-16,	307	50-62000-80,	307	50-62019-02,	309
50-62000-17,	307	50-62000-81,	307	50-62019-03,	309
50-62000-18,	307	50-62000-82,	309	50-62019-06,	309
50-62000-19,	307	50-62000-83,	309	50-62019-08,	309
50-62000-20,	307	50-62000-84,	307	50-62019-09,	309
50-62000-21,	308	50-62000-85,	307	50-62019-10,	309
50-62000-22,	307	50-62000-86,	307	50-62019-19,	309
50-62000-23,	308	50-62000-87,	307	50-62019-21,	309
50-62000-24,	307	50-62000-88,	309	50-62019-23,	309
50-62000-25,	307	50-62000-89,	309	50-62019-25,	309
50-62000-26,	307	50-62000-90,	309	50-62019-29,	309
50-62000-27,	307	50-62000-91,	307	50-62019-30,	309
50-62000-28,	307	50-62000-92,	307	50-62019-31,	309
50-62000-29,	308	50-62000-93,	307	50-62019-32,	309
50-62000-39,	308	50-62000-94,	309	50-62019-33,	309
50-62000-51,	307	50-62000-95,	308	50-62019-34,	309
50-62000-57,	307	50-62002-00,	305	50-62019-35,	310
50-62000-58,	308	50-62003-00,	305	50-62019-36,	310
50-62000-59,	308	50-62005-00,	305	50-62019-39,	310
50-62000-60,	307	50-62006-00,	305	50-62019-40,	310
50-62000-61,	307	50-62009-00,	305	50-62019-41,	310
50-62000-62,	307	50-62010-00,	311	50-62019-43,	310
50-62000-63,	307	50-62010-01,	311	50-62019-44,	310
50-62000-64,	308	50-62010-09,	311	50-62019-45,	310
50-62000-65,	308	50-62010-10,	311	50-62019-46,	310
50-62000-66,	308	50-62010-11,	311	50-62019-49,	310
50-62000-67,	308	50-62010-13,	311	50-62019-50,	310
50-62000-68,	307	50-62010-14,	311	50-62019-54,	310
50-62000-69,	308	50-62010-15,	311	50-62019-55,	310
50-62000-70,	308	50-62010-16,	311	50-62019-56,	310
50-62000-71,	308	50-62010-17,	311	50-62019-58,	310
				50-62019-62,	310

PART NUMBER INDEX

PART NO.	PAGE NO.	PART NO.	PAGE NO.	PART NO.	PAGE NO.
50-62019-63,	310	54-00621-00,	8, 12, 19	56-62311-00,	174
50-62019-64,	310	54-00621-01,	26, 31, 36, 45	58-00065-26,	103, 111
50-62019-65,	310	54-00621-02,	53, 57, 63	58-00065-48,	240
50-62019-66,	310	54-00621-03,	8, 12	58-00065-51,	170
50-62019-67,	310	54-00621-04,	26, 36, 45	58-00065-83,	103, 111
50-62019-68,	310	54-00621-05,	53, 63	58-00079-02,	85, 89, 91, 103, 111, 113, 115, 170
50-62019-69,	310	54-50080-00,	118, 128, 180, 186, 244	58-00616-02,	20, 32, 58
50-62025-00,	305	54-50107-00,	78, 79	58-00661-04,	115
50-62029-00,	306	54-50108-00,	151, 152	58-00661-06,	103, 115
50-62031-00,	306	56-00142-24,	143	58-00661-07,	89
50-62032-00,	306	56-00143-24,	161, 167	58-00716-12,	78, 79
50-62040-00,	306	56-00143-25,	161, 167	58-00848-00,	232
50-62041-00,	306	56-00143-36,	142	58-00849-11,	174
50-62045-00,	306	56-00143-47,	143	58-00858-00,	20, 58
50-62048-00,	306	56-00143-73,	161	58-01379-00,	317
50-62049-00,	306	56-00143-75,	143, 161	58-01380-00,	320
50-62051-00,	304, 306	56-00143-78,	149	58-01382-00,	314
50-62054-00,	306	56-00143-89,	161, 165, 167	58-01382-01,	314
50-62056-00,	306	56-00145-24,	167	58-01383-00,	314
50-62057-00,	306	56-00145-87,	167	58-01383-01,	314
50-62059-00,	306	56-62010-00,	142	58-01384-00,	314
50-62064-00,	306	56-62011-00,	142	58-01384-01,	314
50-62066-00,	306	56-62037-01,	174	58-01385-00,	10, 15, 29, 39, 41, 55, 65, 67, 317
50-62069-00,	306	56-62123-00,	77	58-01385-01,	10, 15, 29, 39, 41, 55, 65, 67, 317
50-62070-00,	306	56-62123-01,	77	58-01386-00,	7, 42, 317
50-62072-00,	306	56-62231-00,	161	58-04026-75,	125, 135
50-62073-00,	306	56-62239-00,	161, 167	58-04764-00,	125, 135
54-00545-00,	132, 145, 149, 180, 186, 244	56-62240-00,	161, 165, 167	58-50115-00,	79
54-00546-03,	245	56-62240-01,	161	58-50116-00,	79
54-00583-00,	169	56-62241-00,	161, 167	58-50117-00,	79
54-00583-01,	169	56-62250-00,	149	58-50118-00,	78
54-00587-00,	246	56-62252-00,	167	58-50119-00,	78, 79
54-00588-00,	5, 25, 71, 246	56-62253-00,	167	58-50120-00,	78, 79
54-00606-00,	111, 246	56-62307-01,	190	58-50121-00,	78, 79
54-00618-01,	118, 119, 120, 121, 123, 128, 129, 130, 131, 133, 145, 180, 186, 244	56-62307-02,	190	58-50122-00,	78, 79
		56-62307-03,	190	58-50123-00,	320
		56-62308-00,	165		
		56-62309-00,	165		

PART NUMBER INDEX

PART NO.	PAGE NO.	PART NO.	PAGE NO.	PART NO.	PAGE NO.
58-60115-02F50,	206	58-62062-02,	312	58-62185-00,	109
58-60115-03F50,	206	58-62062-10,	312	58-62185-01,	109
58-60115-04F50,	206	58-62064-00F25,	8, 12, 19, 26, 27, 31, 36, 37, 45, 53, 57, 63	58-62189-00,	109
58-60230-00,	196			58-62189-01,	109
58-60231-00,	196	58-62065-00,	19, 31, 45, 57	58-62191-00,	314
58-60232-00,	199	58-62077-00,	21, 22, 33, 34, 47, 59, 60, 317	58-62197,	216
58-60502-01F60,	206			58-64105-00F50,	207
58-60502-02F60,	206	58-62121-00,	193	58-64105-01F50,	207
58-60502-03F60,	206	58-62121-01,	193	58-64105-02F50,	207
58-60502-04F60,	206	58-62127-00,	185	58-64105-03F50,	207
58-60502-05F60,	206	58-62127-01,	179	58-60230-00,	199
58-60502-06F60,	206	58-62142-02,	320	58-60231-00,	199
58-60502-07F60,	206	58-62142-03,	320	62-03882-01,	158
58-60502-08F60,	206	58-62150-00,	185	62-04062-01,	5, 25
58-62017,	208	58-62152-00,	243	62-62008-00,	122, 132, 149
58-62019-00,	119, 120, 121, 122, 123, 129, 130, 131, 132, 133, 145, 149, 180, 186	58-62153-00,	287, 289, 291, 295, 297, 298, 299, 300, 301, 302, 303	62-62029-00,	149, 185
		58-62155-00,	240	62-62030-00,	267
58-62025-08,	181	58-62156-00,	99	62-62030-01,	267
58-62025-09,	181	58-62156-01,	99	62-62039-00,	5, 19, 25, 31, 57, 103, 111, 113, 115, 143, 158
58-62025-10,	187	58-62156-02,	97	62-62042-14,	125, 135, 149, 176, 182
58-62025-11,	187	58-62156-03,	97	62-62042-15,	125, 135, 149, 176, 182
58-62025-12,	184	58-62156-04,	98	62-62045-00,	19, 31, 57, 125, 135, 158, 179
58-62025-13,	184	58-62156-05,	98	62-62068-00,	299
58-62025-14,	178, 181	58-62156-06,	100	62-62068-01,	300
58-62025-15,	178, 181	58-62156-07,	100	62-62068-02,	301
58-62030-00,	312	58-62156-08,	101	62-62068-03,	302, 303
58-62038,	212	58-62156-09,	101	63-63240-00,	102
58-62040-00,	159	58-62159-00,	320	64-01213-00,	181, 187
58-62040-02,	159	58-62160-00,	108	65-00193-00,	125, 135
58-62042-00,	10, 15, 21, 22, 29, 33, 34, 39, 41, 47, 55, 59, 60, 65, 67, 86, 94, 96, 97, 98, 99, 100, 101, 104, 108	58-62160-01,	108	65-01035-01,	143
		58-62160-02,	108	65-62003-00,	161, 165
		58-62160-03,	108	65-62003-01,	161, 165, 167
58-62045,	214	58-62164-00,	179	65-62004-00,	233
58-62062-00,	312	58-62164-01,	179	66U1-1214-5,	76, 77
58-62062-01,	312	58-62164-02,	179		
		58-62172-00,	174, 177, 183		
		58-62184-00,	314		

PART NUMBER INDEX

PART NO.	PAGE NO.	PART NO.	PAGE NO.	PART NO.	PAGE NO.
66U1-3882,	5, 19, 25, 31, 45, 57, 93, 119, 120, 121, 122, 123, 125, 129, 130, 131, 132, 133, 135, 145, 155, 170, 180, 186, 295, 296, 298, 299, 300, 301, 302, 303	68-62037-00,	76	68-62662-00,	11, 16
66U1-5371,	150, 267, 269, 271	68-62040-00,	77	68-62662-01,	11, 16
66U1-5371-12,	267, 269, 271	68-62049-00,	77	68-62710-00,	53, 63
67-62007-00,	181	68-62070-00,	76	68-62711-01,	8, 19
67-62007-01,	181	68-62088-00,	269, 271	68-62718-00,	161, 165
67-62007-02,	187	68-62093-00,	83	68-62722-00,	12, 19
67-62007-03,	187	68-62139-00,	203, 204, 205	68-62725-00,	8, 12, 19, 26, 31, 36, 45, 57
67-62007-04,	177, 183	68-62208-00,	5	68-62726-00,	19, 31, 45, 53, 57, 63
67-62007-05,	177, 183	68-62209-00,	5, 25	68-62734-00,	17
67-62008-00,	183	68-62210-00,	5, 25	68-62734-01,	17
67-62008-01,	183	68-62211-00,	5, 25	68-62735-00,	83, 116
67-62019-00,	299, 300, 301, 302, 303	68-62212-00,	5, 25	68-62735-00,	10, 15
68-07962-00,	103	68-62213-00,	5, 25	68-62736-00,	10, 15, 83, 116
68-07963-00,	103	68-62218-00,	25	68-62758-00,	53, 57, 63
68-07964-00,	111	68-62237-00,	71	68-62765-00,	171, 172, 173
68-07965-00,	111	68-62292-00,	267	68-62780-00,	55, 65
68-08087-00,	8, 12, 19, 26, 31, 36, 45, 55, 57, 65	68-62293-00,	267	68-62782-00,	65, 67
68-08106-00,	125, 135	68-62294-00,	267	68-62782-00,	55
68-08121-01,	136	68-62297-00,	267	68-62783-00,	55, 65, 67
68-08122-01,	126	68-62411-00,	77	68-62828-00,	257, 276
68-08124-00,	126, 136	68-62417-00,	269, 271	68-62850-00,	258
68-15397-00,	125, 135	68-62492-02,	149	68-62852-00,	26, 27, 31, 36, 37
68-15398-00,	135	68-62494-00,	126, 136	68-62860-00,	257, 258, 285, 286, 288, 290, 294, 296, 298
68-15450-00,	125	68-62497-00,	77	68-62860-01,	276
68-15461-00,	128	68-62498-00,	77	68-62868-00,	29, 39, 41
68-50086-00,	78, 79	68-62500-00,	119, 120, 121, 122, 123, 125, 135	68-62869-00,	29, 39, 41
68-50087-00,	78	68-62501-00,	128, 129, 130, 131, 132, 133	68-62870-00,	31, 57, 61
68-50088-00,	151, 152	68-62569-00,	269, 271	68-62880-00,	35
68-50089-00,	151, 152	68-62574-00,	73	68-62892-00,	81
68-62036-00,	76	68-62576-00,	23	68-62893-00,	81
		68-62576-01,	3, 23	68-62896-00,	81
		68-62577-00,	43	68-62897-00,	81
		68-62577-01,	43	68-62898-00,	81
		68-62578-00,	51	68-62899-00,	81
		68-62578-01,	51	68-62905-00,	66
		68-62579-01,	73	68-62908-00,	260, 275
		68-62660-00,	11		

PART NUMBER INDEX

PART NO.	PAGE NO.	PART NO.	PAGE NO.	PART NO.	PAGE NO.
68-62909-00,	40	68-63166-00,	172	68-63438-00,	86, 95
68-62912-00,	35, 40	68-63167-00,	172	68-63438-01,	94, 96, 97, 98, 99, 100, 101
68-62912-01,	35, 40	68-63214-00,	171, 172, 173	68-63440-00,	86
68-62913-00,	61, 66	68-63217-00,	81	68-63441-00,	86
68-62913-01,	61, 66	68-63218-00,	173	68-63473-00,	286, 288, 290, 294, 296, 298
68-62914-00,	66	68-63241-00,	102	68-63486-00,	176, 182
68-62914-01,	66	68-63242-00,	102, 106	68-63507-00,	176, 182
68-62915-00,	40	68-63242-01,	107	68-63507-01,	176, 182
68-62915-01,	40	68-63262-00,	281, 283	68-63508-00,	182
68-62923-00,	261	68-63265-00,	146	68-63508-01,	176
68-62946-00,	116	68-63268-00,	113, 115	68-63509-00,	176, 182
68-62947-00,	113	68-63275-01,	10, 15, 21, 22	68-63509-01,	176
68-62948-00,	113, 115	68-63275-02,	29, 33, 34, 39, 59, 60	68-63510-00,	176, 182
68-62951-00,	113, 115	68-63275-03,	47	68-63529-00,	105
68-62952-00,	113, 115	68-63275-07,	55, 65	68-63529-01,	105
68-62953-00,	113, 115	68-63276-01,	10, 15, 21, 22	68-63540-00,	239
68-62954-00,	113, 115	68-63276-02,	29, 33, 34, 39, 59, 60	68-63547-00,	239
68-62968-00,	279	68-63276-03,	47	68-63559-00,	240
68-62969-00,	265, 275	68-63276-07,	55, 65	68-63566-00,	146
68-62970-00,	145, 149	68-63277-01,	10, 15, 21, 22	68-63577-00,	87
68-62979-00,	45	68-63277-02,	29, 33, 34, 39, 47, 59, 60	68-63588-00,	233
68-62982-00,	46	68-63277-07,	55, 65	68-63602-00,	189, 190
68-62999-00,	46	68-63299-00,	167	68-63605-00,	176, 182
68-63000-00,	46	68-63304-00,	284	68-63614-00,	43
68-63000-01,	46	68-63308-00,	285	68-63616-00,	108
68-63025-00,	81	68-63393-00,	94	68-63617-00,	106, 107
68-63048-00,	113, 115	68-63394-00,	95	68-63625-00,	293
68-63076-00,	171, 172	68-63410-00,	85, 89, 91, 93	68-63644-00,	239
68-63079-00,	161, 165, 167	68-63411-00,	85, 89	68-63644-01,	239
68-63084-00,	161, 165, 167	68-63412-00,	85, 89, 91, 93	68-63645-00,	89
68-63084-01,	161, 165, 167	68-63413-00,	85, 89, 91, 93	68-63646-00,	89
68-63104-00,	150	68-63414-00,	85, 89, 91, 93	68-63648-00,	159
68-63107-00,	149	68-63415-01,	85, 89, 91, 93	68-63655-00,	190
68-63113-00,	172	68-63416-00,	85, 89	68-63656-00,	177, 183
68-63129-00,	284	68-63417-00,	85, 89	68-63659-00,	78, 79
68-63153-00,	110	68-63436-00,	85, 89, 91, 93	68-63660-00,	78, 79
68-63154-00,	110	68-63437-00,	86, 94, 95, 96	68-63671-00,	162, 165
68-63156-00,	110			68-63682-00,	162, 165, 168
68-63158-00,	161, 165				

PART NUMBER INDEX

PART NO.	PAGE NO.	PART NO.	PAGE NO.	PART NO.	PAGE NO.
68-63689-00,	182	76-62258-02,	235	79-62014-35,	136
68-63689-01,	176	76-62258-03,	235	79-62019-00,	77
68-63691-00,	174	77-01277-50,	135	79-62021-00,	120
68-63699-00,	173	77-01286-50,	125	79-62021-04,	119
68-63703-00,	104	77-62080-11,	113, 115	79-62021-06,	121
68-63704-00,	96	77-62135-00,	247	79-62021-07,	122
68-63705-00,	115	77-62161-01,	91	79-62021-08,	123
68-63708-00,	46, 48	77-62161-02,	89	79-62022-00,	130
68-63717-00,	47	77-62161-03,	92	79-62022-04,	129
68-63723-00,	299, 300, 301, 302, 303	77-62162-00,	85, 86, 87	79-62022-07,	131
68-63756-00,	93	77-62162-03,	89	79-62022-08,	132
68-63757-00,	93	77-62162-04,	92	79-62022-09,	133
68-63758-00,	93	77-62166-00,	110	79-62027-00,	269, 271
68-63760-00,	171, 172	77-62167-00,	102	79-62035-01,	10, 21
68-63760-01,	171, 172, 173	77-62167-01,	105, 106, 107	79-62035-02,	10
68-62711-00,	8, 12	77-62171-00,	185	79-62036-01,	15, 17, 22
68-62711-01,	12	77-62171-01,	179	79-62036-02,	15, 17, 21, 22
68-63694-00,	171, 172, 173	77-62171-02,	185	79-62044-01,	29, 33, 59, 60
68-63699-00,	171, 172	77-62171-03,	179	79-62044-02,	29, 33, 59, 60
68RM35-1098P,	267, 269, 271	77-62171-04,	179	79-62045-01,	34, 39, 41
68RM35-1122,	143	77-62171-05,	185	79-62045-02,	34, 39, 41
68RM55-1031,	267, 269, 271	77-62171-06,	179	79-62046-01,	55
68RT10-1462,	142	77-62204-02,	79	79-62046-02,	55
73-62003-00,	159	77-62204-03,	79	79-62047-01,	65, 67
76-50128-00,	10, 15	77-62725-02,	79	79-62047-02,	65, 67
76-50129-00,	29, 39	77-62725-03,	78	79-62056-00,	83
76-50131-00,	55, 65	77-62725-04,	78	79-62058-00,	81
76-62019-00,	3, 23, 69, 241	77-62161-02,	85, 86, 87	79-62061-00,	113, 115
76-62103-00,	3, 11, 35, 61, 315	79-02358-00,	9, 13, 19	79-62063-00,	149
76-62103-01,	11, 35, 61, 315	79-02358-01,	27, 31, 37	79-62063-03,	145
76-62103-04,	3, 11, 35, 61, 315	79-02358-02,	53, 57, 63	79-62063-04,	145
76-62139-00,	249	79-62005-00,	69	79-62064-00,	116
76-62257-00,	9, 13, 19, 27, 31, 37, 45, 53, 57, 63	79-62005-01,	71	79-62065-01SV,	47
76-62258-00,	234	79-62005-02,	71	79-62065-02SV,	47
76-62258-01,	234	79-62014-20,	126	79-62070-00,	73, 75
		79-62014-21,	126	79-62070-01,	73, 75
		79-62014-24,	127	79-62071-00,	3
		79-62014-30,	136	79-62071-01,	3
		79-62014-34,	137	79-62072-00,	23
				79-62072-01,	23

PART NUMBER INDEX

PART NO.	PAGE NO.	PART NO.	PAGE NO.	PART NO.	PAGE NO.
79-62073-00,	43	81-62019-00,	69	86-62524-01,	168
79-62073-01,	43	81-62062-00,	140	86-63076-00,	173
79-62074-00,	51	81-62105-00,	145	91-62011-00,	271
79-62074-01,	51	81-62122-00,	149	91-62011-01,	269
79-62075-00,	6	81-62128-00,	150	91-62015-00,	253
79-62075-01,	6	81-62129-00,	150	91-62016-00,	248
79-62076-00,	49	81-62138-00,	181, 187, 189	91-62017-00,	254
79-62076-01,	49	81-62138-01,	181, 187, 189	91-62018-00,	255
79-62079-00,	8, 13, 19	81-62138-02,	181	91-62019-00,	256
79-62079-01,	27, 37	81-62145-00,	177, 183	91-62022-00,	257
79-62079-02,	53, 63	81-62147-00,	174	91-62023-00,	258
79-62081-00,	110	81-62151-00,	174	91-62025-00,	259
79-62083-00,	102	81-62156-00,	181, 187	91-62027-00,	260
79-62084-00,	45	86-62016-00,	76, 77	91-62028-00,	261
79-62086-01,	9, 13, 19, 27, 31, 37, 55, 57, 65	86-62024-00,	142	91-62030-00,	262
79-62088-00,	94	86-62150-00,	189	91-62031-00,	263
79-62088-01,	95	86-62150-01,	189	91-62032-00,	264
79-62088-02,	96	86-62216-01,	170	91-62035-00,	267
79-62094-00,	8	86-62220-00,	125	91-62040-00,	273
79-62096-00,	97	86-62221-00,	135	91-62041-00,	274
79-62096-01,	97	86-62243-00,	81	91-62046-00,	276
79-62096-02,	98	86-62246-00,	67	91-62047-00,	279
79-62096-03,	98	86-62248-00,	40	91-62048-00,	280
79-62096-04,	100	86-62262-00,	113	91-62049-00,	282
79-62096-05,	100	86-62265-00,	145, 149	91-62051-00,	284
79-62096-06,	101	86-62269-00,	45	91-62052-00,	285
79-62096-07,	101	86-62300-00,	171, 172	91-62056-00,	286
79-62097-00,	99	86-62320-00,	171, 172	91-62057-00,	288
79-62097-01,	99	86-62325-00,	110	91-62058-00,	290
79-62105-00,	174	86-62343-00,	102	91-62070-00,	293
79-62106-00,	8, 12, 19	86-62437-00,	87	91-62075-00,	294
79-62106-01,	26, 31, 36	86-62449-00,	106, 107	91-62076-00,	296
79-62106-02,	53, 57, 63	86-62460-00,	91, 92	91-62079-00,	298
79-62107-00,	45	86-62475-00,	151	91-62081-00,	299
79-62112-00,	5	86-62484-00,	162, 165	91-62082-00,	300
79-62113-00,	25	86-62484-01,	162, 165	91-62083-00,	301
81-62003-00,	142	86-62497-00,	115	91-62084-00,	302
81-62003-01,	142	86-62503-00,	5, 25	91-62085-00,	303
		86-62524-00,	167	920088,	229
				920107,	230

PART NUMBER INDEX

PART NO.	PAGE NO.	PART NO.	PAGE NO.	PART NO.	PAGE NO.
920108,	230	AC010-566,	251	AC021-182,	71
920183,	230	AC010-567,	251	AC021-187,	69, 71
920490,	230	AC010-568,	251	AC021-188,	69
98-50168-00,	10, 15	AC010-569,	251	AC021-189,	69
98-50618-00,	29, 39, 55, 65	AC010-570,	251	AC021-190,	69
98-62677-00,	240	AC010-007,	313	AC021-190-1,	69
98-62790,	233	AC011-001,	316	AC021-190-2,	69
98-62903,	232	AC011-001-2,	316	AC021-195,	69
		AC011-006,	316	AC021-223,	6, 17, 41, 49, 67, 69, 75
		AC011-006-2,	316	AC021-226,	75
		AC011-018,	316	AC021-270,	256
		AC011-030-1,	313	AC021-278,	49
		AC011-030-2,	313	AC021-344,	76
		AC011-031,	313	AC021-348P,	76
		AC011-032,	313	AC021-356,	76, 77
		AC011-032-1,	313	AC021-357,	69
		AC011-032-2,	313	AC021-358,	69
		AC011-049,	313	AC021-360,	11, 35, 61, 315
		AC011-049-2,	313	AC021-365,	69
		AC011-077,	313	AC021-366,	69
		AC011-077-1,	313	AC021-396,	76, 77
		AC011-077-2,	313	AC022-251,	3, 23
		AC011-083, 2	51	AC022-252,	43
		AC011-030,	313	AC022-253,	51
		AC011-049,	313	AC022-254,	73
		AC020-009,	3, 7, 11, 23, 35, 51, 55, 61, 65, 73, 315	AC022-286-1,	6
		AC020-028,	42, 43, 46	AC022-286-2,	6
		AC020-174,	6, 17, 69	AC022-289,	3, 6, 10, 15, 21, 22, 29, 33, 34, 39, 41, 43, 47, 51, 55, 59, 60, 65, 67, 83, 86, 94, 95, 96, 97, 98, 99, 100, 101, 103, 108, 111, 116, 126, 127, 136, 137, 146, 179, 185
		AC020-179P,	6, 16, 40, 49, 66, 75	AC022-290P,	6
		AC021-042,	69	AC022-292,	6, 16
		AC021-142,	5, 25	AC022-293-1,	49
		AC021-152,	7	AC022-293-2,	49
		AC021-155,	251, 254, 255, 273		
		AC021-156,	251, 253, 254, 255, 256, 259, 261, 262, 263, 264, 273, 279, 280, 282		

A

A021-155,	293
AC010-006,	247
AC010-007-1,	313
AC010-007-2,	313
AC010-008,	313
AC010-204,	247, 248
AC010-218,	251, 253, 259, 260, 262, 263
AC010-223,	251
AC010-225,	251
AC010-227,	251
AC010-229,	251
AC010-236,	251
AC010-260,	251
AC010-262,	251
AC010-292,	251
AC010-296,	251
AC010-298,	251
AC010-312,	251
AC010-332,	251
AC010-378,	251
AC010-479,	251
AC010-560,	251
AC010-561,	251
AC010-562,	251
AC010-563,	251
AC010-564,	251
AC010-565,	251

PART NUMBER INDEX

PART NO.	PAGE NO.	PART NO.	PAGE NO.	PART NO.	PAGE NO.
AC022-294,	75	AC022-743-1,	5, 25	AC033-134P,	118
AC022-294-1,	75	AC022-743-2,	45, 103	AC033-142,	118
AC022-294-2,	75	AC022-743-3,	31	AC033-143,	128
AC022-295P,	49	AC022-743-5,	19, 81, 85, 89, 91, 93	AC033-144,	126, 128, 136, 146
AC022-296P,	75	AC022-743-7,	57	AC033-145,	118, 128, 188
AC022-297,	49	AC022-744,	81, 85, 113	AC033-146,	118
AC022-298,	7	AC022-746,	73, 75	AC033-147,	128
AC022-302,	7	AC022-746-1,	81, 113, 115	AC033-150,	127
AC022-304,	42	AC022-759,	43	AC033-154,	139
AC022-308,	75	AC022-760-S,	43	AC033-155,	139
AC022-313,	3, 5, 23, 25, 103	AC022-772,	49	AC033-156,	139
AC022-313-1,	85, 86, 89, 91, 92	AC022-772-S,	51	AC033-157,	139
AC022-313-2,	103	AC022-773-S,	49	AC033-158,	139
AC022-313-3,	111	AC030-231,	140	AC033-160,	139
AC022-314,	43, 76, 77	AC030-232P,	140	AC033-162 ,	138
AC022-327P,	7	AC030-233P,	140	AC033-163,	138
AC022-331P,	7	AC030-234,	118, 122, 128, 132, 140, 145, 149, 180, 186	AC033-164,	139
AC022-332,	42	AC030-235,	140	AC033-203,	125, 135, 145
AC022-333,	42	AC030-236,	140	AC033-203P,	149
AC022-342P,	42	AC030-237,	140	AC033-204,	125, 135, 145
AC022-346-S,	23	AC030-240,	140	AC033-204P,	149
AC022-349-S,	51	AC030-247,	140	AC033-211,	125, 135, 145
AC022-350-S,	73, 75	AC030-313,	140	AC033-211P,	145, 149
AC022-454,	43	AC030-314,	140	AC033-219,	118
AC022-455,	51	AC030-315,	140	AC033-220,	128
AC022-463,	7	AC030-332,	140	AC033-135,	128
AC022-464P,	7, 42	AC030-333P,	140	AC033-136,	118
AC022-479-S,	6	AC030-334,	140	AC040-074,	81, 91, 245, 246
AC022-490-S,	49	AC030-335,	140	AC040-075,	245
AC022-700,	3, 5, 25, 51, 73	AC030-336,	140	AC040-076,	318
AC022-701,	5, 25	AC030-337,	140	AC040-103,	318
AC022-708-S,	3, 23	AC030-340,	140	AC051-1111P,	305
AC022-712-S,	3, 23	AC031-028,	191	AC051-1112P,	305
AC022-717,	3	AC031-083,	191	AC051-1114P,	305
AC022-718,	23	AC033-051,	137	AC051-1116P,	305
AC022-739,	73	AC033-115,	125, 135, 145	AC051-1173,	227
AC022-739-S,	75	AC033-133P,	128	AC051-1176P,	305
AC022-743,	111, 113, 115			AC051-1285P,	305
				AC051-212,	305

PART NUMBER INDEX

PART NO.	PAGE NO.	PART NO.	PAGE NO.	PART NO.	PAGE NO.
AC051-409,	305	AC101-426,	318	AC201-113,	240
AC051-586,	304	AC101-427,	318	AC201-114,	236
AC051-886P,	305	AC101-428,	318	AC201-115,	236
AC053-011P,	305	AC101-429,	318	AC201-116,	236
AC053-062P,	305	AC101-430,	318	AC201-119,	240
AC053-098-1,	305	AC101-441,	318	AC201-121,	240
AC053-450-1P,	305	AC201-100,	240, 251, 254, 255, 256	AC201-122,	240
AC060-208,	250			AC201-301,	238
AC061-198,	250	AC201-101,	240	AC201-302,	238, 250
AC063-032,	250	AC201-102,	240	AC201-303,	238, 250
AC101-100,	318	AC201-103,	236	AC201-304,	238, 250
AC101-101,	318	AC201-104,	236	AC201-305,	238, 247, 250
AC101-102,	318	AC201-105,	78, 79, 240, 252, 257, 258, 259, 260, 276, 284, 285, 286, 288, 290, 293, 294, 296, 298, 299, 300, 301, 302, 303	AC201-306,	238
AC101-103,	318			AC201-308,	238
AC101-108,	318			AC201-310,	238
AC101-200,	118, 128, 319			AC201-315,	238
AC101-202,	319			AC201-400,	241
AC101-203,	143, 319			AC201-401,	241
AC101-301,	319	AC201-105-1,	257, 286, 288, 290, 293, 294, 296, 298, 299, 300, 301, 302, 303	AC201-402,	241
AC101-302,	319			AC201-403,	241
AC101-303,	319			AC201-404,	241
AC101-304,	319			AC201-408,	241
AC101-305,	319	AC201-106,	240, 252, 258, 259, 260, 263, 276, 285	AC201-409,	241
AC101-306,	319			AC201-410,	241
AC101-307,	319	AC201-107,	240, 252, 253, 257, 261, 262, 273, 275, 279, 280, 286, 288, 290, 295, 296, 298, 299, 300, 301, 302, 303	AC201-412,	3, 5, 9, 13, 19, 23, 25, 27, 31, 37, 43, 45, 51, 53, 57, 63, 71, 73, 75, 81, 85, 89, 91, 93, 103, 111, 115, 118, 128, 145, 241
AC101-310,	319				
AC101-311,	319			AC201-413,	241
AC101-312,	118, 128, 319			AC201-414,	118, 125, 128, 135, 145, 180, 186, 241
AC101-400,	318				
AC101-401,	318	AC201-108,	250	AC201-500,	20, 58, 241, 247, 248, 250
AC101-403,	318	AC201-109,	240	AC201-501,	3, 23, 43, 51, 69, 73, 75, 77, 241
AC101-404,	318	AC201-110,	240	AC201-508,	267, 269, 271
AC101-405,	318	AC201-112,	240, 252, 253, 254, 255, 256, 257, 258, 259, 261, 262, 263, 264, 273, 275, 276, 279, 280, 282, 284, 285, 286, 288, 290, 293, 294, 296, 298, 299, 300, 301, 302, 303	AC201-600,	111, 232, 241, 253, 256, 259, 262, 263, 284, 285, 299, 300, 301, 302, 303
AC101-406,	318				
AC101-407,	318				
AC101-408,	318				
AC101-412,	318				
AC101-415,	318				
AC101-422,	76				
AC101-425,	318				

PART NUMBER INDEX

PART NO.	PAGE NO.	PART NO.	PAGE NO.	PART NO.	PAGE NO.
AC201-601,	241, 250	AC201-902,	243, 247	AC301-201,	312
AC201-602,	241	AC201-904,	243	AC301-202,	312
AC201-603,	241	AC201-905,	243	AC301-204,	321
AC201-604,	241	AC201-910,	243	AC301-205,	7, 42, 312
AC201-605,	241	AC201-912,	250	AC301-206,	312
AC201-606,	241	AC201-918,	250	AC301-208,	312
AC201-607,	250	AC201-921,	243	AC301-209,	312
AC201-608,	250	AC201-922,	237, 252, 253, 259, 260, 261, 262, 263, 273, 274, 279, 280, 293	AC301-210,	312
AC201-609,	241			AC301-211,	312
AC201-610,	241			AC301-214,	312
AC201-611,	241			AC301-215,	312
AC201-615,	141	AC201-923,	252	AC301-216,	312
AC201-616,	241	AC201-924,	252	AC301-217,	312
AC201-623,	241	AC201-926,	252	AC301-218,	312
AC201-634,	267, 269, 271	AC201-927,	255	AC301-219,	312
AC201-700,	242	AC201-928,	243	AC301-220,	312
AC201-701,	242	AC201-930,	243	AC301-221,	312
AC201-702,	242	AC201-931,	243, 253, 254, 255, 256, 257, 258, 259, 260, 261, 262, 263, 265, 267, 269, 271, 273, 274, 275, 276, 277, 279, 280, 281, 282, 283, 284, 285, 286, 287, 288, 289, 290, 293, 294, 296, 298, 299, 300, 301, 302, 303	AC301-222,	312
AC201-703,	242			AC301-223,	312
AC201-706,	242			AC301-224,	312
AC201-707,	242			AC301-227,	312
AC201-708,	242			AC301-228,	312
AC201-709,	242			AC301-229,	312
AC201-800,	238			AC301-230,	312
AC201-801,	238			AC301-231,	312
AC201-803,	238			AC301-233,	312
AC201-804,	238			AC301-235,	312
AC201-805,	238	AC202-207,	181, 187	AC301-238,	312
AC201-806,	261, 264	AC202-300,	243, 247, 248, 250	AC301-239,	321
AC201-812,	238			AC301-240,	78, 79, 321
AC201-901,	243, 253, 254, 255, 256, 257, 258, 259, 260, 261, 262, 263, 264, 265, 267, 269, 271, 273, 274, 276, 277, 279, 280, 281, 282, 283, 284, 285, 286, 287, 288, 289, 290, 293, 294, 296, 298, 299, 300, 301, 302, 303	AC202-301,	243, 247, 248	AC301-241,	312
		AC202-302,	243	AC301-242,	312
		AC202-303,	243, 247, 248, 250	AC301-243,	312
		AC202-304,	243	AC301-419,	204
		AC202-305,	243, 247, 250	AC301-441,	118, 128, 195
		AC202-306,	243	AC301-447,	204
		AC202-307,	20, 58, 243, 247, 248	AC301-452,	195
		AC202-501,	269, 271	AC301-453,	195
		AC301-200,	321	AC301-459,	195
				AC301-460,	195
				AC301-817,	227

PART NUMBER INDEX

PART NO.	PAGE NO.	PART NO.	PAGE NO.	PART NO.	PAGE NO.
AC301-900,	320	AC401-218,	245	AC501-218A,	227
AC301-901,	320	AC401-219,	245	AC501-219,	227
AC301-902,	320	AC401-220,	76, 77, 245	AC501-220,	227
AC301-903,	320	AC401-221,	245	AC501-221,	227
AC301-904,	320	AC401-222,	245	AC501-222,	227
AC301-905,	320	AC401-228,	245	AC501-223A,	219
AC301-907,	320	AC401-229,	245	AC501-224A,	217
AC301-908,	320	AC401-232,	3, 23, 43, 51, 71, 246	AC501-225A,	217
AC301-908-5,	320	AC401-233,	3, 23, 43, 51, 71, 246	AC501-226A,	217
AC302-305,	248	AC401-300,	317	AC501-229A,	217
AC302-432,	204	AC401-301,	316, 317	AC501-230A,	217
AC302-436,	204	AC401-302,	317	AC501-232,	219
AC302-437,	204	AC401-306,	7, 42, 317	AC501-233A,	230
AC302-440,	196	AC401-307,	7, 42, 317	AC501-234,	218
AC302-441,	196	AC401-308,	6, 49, 317	AC501-235,	231
AC302-450,	195	AC401-309,	317	AC501-236,	218
AC302-451,	195	AC401-310,	317	AC501-238,	227
AC302-453,	195	AC401-312,	317	AC501-239,	218
AC302-454,	195	AC401-313,	317	AC501-240A,	227
AC302-458,	196	AC401-314,	317	AC501-241,	229
AC302-459,	204	AC401-315,	317	AC501-242,	229
AC302-494,	204	AC401-320,	3, 7, 23, 42, 43, 51, 73, 75, 95, 103, 111, 317	AC501-244A,	230
AC302-495,	204	AC401-322,	317	AC501-246,	218
AC401-100,	244	AC401-323,	317	AC501-247,	218
AC401-102,	244	AC501-102A,	244	AC501-248A,	219
AC401-110,	118, 128, 180, 186, 244	AC501-103A,	244	AC501-249A,	217
AC401-112,	244	AC501-122,	76, 77, 244	AC501-252A,	217
AC401-200A,	245	AC501-123,	244	AC501-253,	227
AC401-201A,	245	AC501-201A,	229	AC501-254A,	230
AC401-202,	85, 89, 93, 245	AC501-206,	219	AC501-256,	218
AC401-203,	73, 75, 103, 113, 115, 246	AC501-207,	219	AC501-257,	218
AC401-204,	73, 75, 245	AC501-209,	229	AC501-259A,	218
AC401-209A,	245	AC501-212,	219	AC501-260A,	222
AC401-210A,	245	AC501-215,	219	AC501-260B,	222
AC401-214,	245	AC501-216A,	219	AC501-261,	218
AC401-215,	76, 77, 245	AC501-217A,	227	AC501-262A,	217
AC401-216,	245	AC501-218,	227	AC501-263A,	217
AC401-217,	76, 77, 245			AC501-264A,	230
				AC501-266,	222
				AC501-266A,	222
				AC501-267A,	222

PART NUMBER INDEX

PART NO.	PAGE NO.	PART NO.	PAGE NO.	PART NO.	PAGE NO.
AC501-268A,	222	AC601-410,	310	AC601-540,	304
AC501-269,	218	AC601-413,	310	AC601-541,	304
AC501-270A,	221	AC601-414,	310	AC601-542,	304
AC501-271A,	221	AC601-423,	310	AC601-545,	304
AC501-272A,	221	AC601-427,	310	AC601-547,	304
AC501-273A,	221	AC601-429,	310	AC601-548,	304
AC501-275A,	222	AC601-446,	308	AC601-602,	16, 40, 66, 69, 75
AC501-277A,	227	AC601-451,	308	AC601-609,	142
AC501-277B,	227	AC601-452,	308	AC601-615,	143
AC501-279A,	227	AC601-458,	308	AC601-616,	17, 41, 67, 69, 75
AC501-282A,	220	AC601-461,	308	AC601-618,	143
AC501-283,	221	AC601-462,	310	AC602-400,	311
AC501-284,	221	AC601-463,	310	AC602-402,	310
AC501-285,	221	AC601-465,	310	AC602-405,	311
AC501-286,	221	AC601-467,	310	AC602-407,	308
AC501-289A,	220	AC601-468,	310	AC602-409,	311
AC501-289B,	220	AC601-469,	310	AC602-413,	308
AC501-291,	225	AC601-470,	310	AC602-417,	311
AC501-292,	225	AC601-473,	310	AC602-418,	308
AC501-298,	220	AC601-474,	310	AC602-419,	310
AC501-298A,	217, 220	AC601-480,	310	AC602-420,	308
AC501-280A,	217	AC601-484,	310	AC602-421,	309
AC502-203,	230	AC601-490,	310	AC602-422,	311
AC502-204,	230	AC601-491,	310	AC602-423,	311
AC502-205A,	227	AC601-492,	310	AC602-424,	309
AC502-208A,	222	AC601-494,	308	AC602-425,	308
AC502-209A,	222	AC601-499,	310	AC602-426,	308
AC502-210,	223	AC601-500,	304	AC602-427,	308
AC502-212,	231	AC601-501,	304	AC602-429,	309
AC502-213A,	227	AC601-508,	304	AC602-432,	311
AC502-215A,	223	AC601-518,	304	AC602-433,	311
AC502-216,	230	AC601-519,	304	AC602-434,	311
AC502-217A,	227	AC601-520,	304	AC602-435,	309
AC502-220,	223	AC601-523,	304	AC602-437,	309
AC54AB102,	269, 271	AC601-524,	304	AC602-44,	311
AC601-327,	305	AC601-528,	304	AC602-441,	311
AC601-328,	305	AC601-534,	304	AC602-444,	311
AC601-336,	305	AC601-535,	304	AC602-445,	309
AC601-342,	305	AC601-538,	304	AC602-446,	309
AC601-405,	310	AC601-539,	304		

PART NUMBER INDEX

PART NO.	PAGE NO.	PART NO.	PAGE NO.	PART NO.	PAGE NO.
AC602-448,	308	AC701-243,	142, 322	AC801-202,	3, 5, 9, 13, 19, 23, 25, 27, 31, 37, 43, 45, 51, 53, 57, 63, 69, 73, 75, 81, 85, 89, 91, 93, 103, 111, 113, 115, 118, 128, 145, 149, 176, 182, 202, 203
AC602-449,	311	AC701-245,	320	AC801-203,	174, 202, 203
AC602-451,	308	AC701-246,	320	AC801-207,	202
AC602-452,	309	AC701-247,	321	AC801-217,	202
AC602-454,	308	AC701-248,	321	AC801-220,	118, 128
AC701-101,	19, 27, 31, 53, 57, 63, 81, 162, 165, 168	AC701-251,	322	AC801-222,	202, 203
AC701-103,	313	AC701-252,	322	AC801-300,	81
AC701-106,	69	AC701-253,	322	AC801-307,	69, 97, 98, 100, 101
AC701-123,	8, 11, 12, 17, 19, 26, 27, 31, 35, 36, 37, 41, 43, 45, 46, 48, 49, 51, 53, 57, 61, 63, 67, 69, 73, 75	AC701-254,	321	AC801-309,	316
AC701-201,	320	AC701-263,	320	AC801-310,	316
AC701-205,	321	AC701-269,	118, 128, 145, 176, 182, 321	AC801-342,	179, 185
AC701-206,	20, 58, 247, 248, 250, 322	AC701-274,	5, 25, 322	AC801-400,	7
AC701-207,	321	AC701-300,	240, 243, 267, 269, 271, 287, 289, 291	AC801-401,	19, 31, 46, 57, 316
AC701-208,	322	AC701-301,	243	AC801-403,	51, 73, 75, 83, 116
AC701-210,	321	AC701-303,	20, 32, 58, 91, 243, 287, 289, 291, 295, 296, 298, 299, 300, 301, 302, 303	AC801-405,	3, 5, 25
AC701-211,	321	AC701-400,	10, 15, 21, 22, 29, 33, 34, 39, 47, 55, 59, 60, 65, 116, 125, 135, 145, 149	AC801-412F25,	3, 5, 6, 11, 17, 20, 23, 25, 32, 43, 46, 49, 51, 55, 58, 61, 65, 66, 73, 75, 78, 79, 118, 128, 176, 182, 233
AC701-212,	322	AC701-401,	5, 9, 13, 19, 20, 25, 27, 31, 32, 37, 45, 53, 57, 58, 63, 75, 85, 89, 91, 93, 102, 110, 113, 115, 125, 135, 145, 146, 149, 313	AC801-414,	7, 43, 51, 81, 85, 89, 91, 93, 94, 95, 96, 97, 98, 99, 100, 101, 103, 111, 113, 115, 126, 161, 165, 167
AC701-221,	320	AC701-402,	162, 165, 168	AC801-416,	69, 81, 111, 113, 115
AC701-222,	320	AC701-403,	10, 11, 15, 16, 21, 22, 29, 33, 34, 35, 39, 40, 46, 47, 55, 59, 60, 61, 65, 66, 83, 116, 315	AC801-443,	76, 77
AC701-224,	320	AC701-404,	75	AC801-451,	23
AC701-226,	320	AC801-12F25,	40	AC801-461,	73, 75
AC701-227,	320	AC801-201,	202	AC801-462,	51
AC701-228,	267, 269, 271			AC801-511,	250
AC701-229,	321				
AC701-230,	320				
AC701-231,	322				
AC701-233,	320				
AC701-234,	321				
AC701-235,	322				
AC701-237,	322				
AC701-240,	321				
AC701-241,	321				
AC701-242,	321				

PART NUMBER INDEX

PART NO.	PAGE NO.	PART NO.	PAGE NO.	PART NO.	PAGE NO.
AC801-529,	3, 11, 17, 35, 41, 46, 47, 61, 67, 69, 75, 103, 111, 315	AC901-535,	143		
		AMI1SS3,	319		
				S	
		C		SES 226013/1,	154
AC801-530,	49, 69, 73, 75			SES130027,	154
		CM205-004RO,	245	SES131292,	154
AC801-531,	3, 11, 17, 35, 41, 46, 47, 49, 61, 67, 69, 73, 75, 103, 111, 315	CM205-197,	118, 128, 244	SES131318,	154
				SES132205,	155
		D		SES132235,	154
AC801-532,	3, 11, 17, 35, 41, 46, 47, 49, 61, 67, 69, 73, 75, 315	DD12CA201,	118, 128	SES132236,	154
		DD19CA061,	102, 111, 115, 199, 318	SES141420,	154
				SES171004,	155
AC801-700,	23	E		SES171087,	155
				SES172643,	155
AC901-513,	237, 254, 255, 256, 257, 258, 264, 274, 276, 282, 284, 285, 286, 288, 290, 291, 294, 296, 298, 299, 300, 301, 302, 303	EN07AA284,	150	SES172644,	155
		EP32UZ232,	318	SES182202,	155
		K		SES201035,	154
				SES217020,	155
AC901-514,	259, 260, 262, 263, 273, 279, 280, 282	KM43AG301,	319	SES232006/N,	154
				SES248014,	155
		P		SES261045,	154
AC901-517,	257, 277, 291	P806-B2-8,	319		

Carrier Transport Air Conditioning
50 Grumbacher Road
York PA 17406 USA
Tel: 1-800-673-2431
Fax: 1-717-764-0401



Carrier

A United Technologies Company
Carrier Transicold Division,
Carrier Corporation
Transport Air Conditioning Group
P.O. Box 4805
Syracuse, N.Y. 13221 U.S.A

www.carrier.transicold.com



A member of the United Technologies Corporation family. Stock symbol UTX
©2008 Carrier Corporation • Printed in U. S. A. 11/08