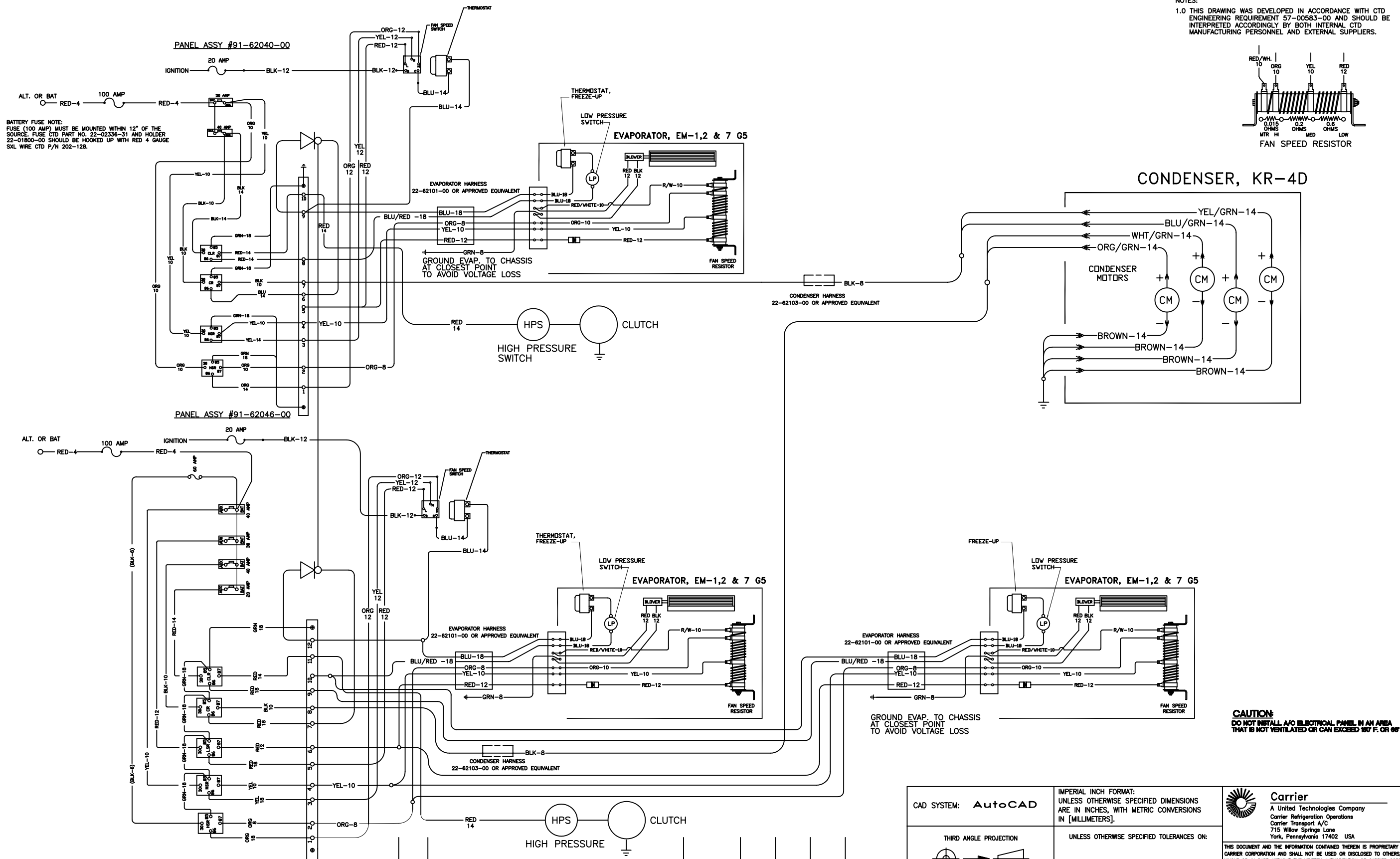
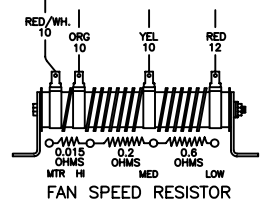
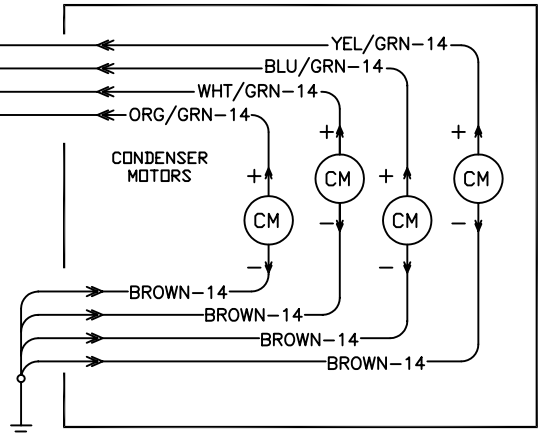


NOTES:
 1.0 THIS DRAWING WAS DEVELOPED IN ACCORDANCE WITH CTD ENGINEERING REQUIREMENT 57-00583-00 AND SHOULD BE INTERPRETED ACCORDINGLY BY BOTH INTERNAL CTD MANUFACTURING PERSONNEL AND EXTERNAL SUPPLIERS.



CONDENSER, KR-4D



CAUTION:
 DO NOT INSTALL A/C ELECTRICAL PANEL IN AN AREA THAT IS NOT VENTILATED OR CAN EXCEED 100° F. OR 60° C.

CAD SYSTEM: AutoCAD		IMPERIAL INCH FORMAT: UNLESS OTHERWISE SPECIFIED DIMENSIONS ARE IN INCHES, WITH METRIC CONVERSIONS IN [MILLIMETERS].		Carrier A United Technologies Company Carrier Refrigeration Operations Carrier Transport A/C 715 Willow Springs Lane York, Pennsylvania 17402 USA
 THIRD ANGLE PROJECTION		UNLESS OTHERWISE SPECIFIED TOLERANCES ON:		
MATERIAL	SURFACES ✓ AA	HOLE DIA. ± .005 ± [.13]	HOLE SPACING ± .015 ± [.38] NON-CUMULATIVE	HOLE LOC ± .03 ± [.8]
DIMENSIONS IN (PARENTHESIS) ARE FOR INFORMATION ONLY. TOLERANCES DO NOT APPLY.		THIS DOCUMENT AND THE INFORMATION CONTAINED THEREIN IS PROPRIETARY TO CARRIER CORPORATION AND SHALL NOT BE USED OR DISCLOSED TO OTHERS, IN WHOLE OR IN PART, WITHOUT THE WRITTEN AUTHORIZATION OF CARRIER CORPORATION.		TITLE
SIZE	DRAWING NO.	98-62652 SHEET 1 OF 1		REV A
NEXT DRAWING	SCALE	NTS		COMMODITY CODE

SYM	REVISION RECORD	DATE	BY	ENGR.	M.E.	NPCA NO.	WEIGHT	MFG/PURCH	MFG
-----	-----------------	------	----	-------	------	----------	--------	-----------	-----