

Bill of Materials Listing

TransArctic Canada Inc.

4/26/2006

Page 1 of 1

| Product Number | | Description | Bin | Date | Weight | Uof M | Yield |
|-----------------|-----------------|--|-----|------------------|--------------|-------|----------|
| Line | Component Prod# | Description | | Unit | Qty | | |
| KMK74191 | | Mt Kit, C7, HDX ER, O5G, 2B, 8" Crank | | 5/10/2005 | 50.64 | | 0 |
| 20 | BMK70044 | Bkt, Angle, Vert, Weldmt, HDX, C7 | | each | 1 | | |
| 30 | BMK70049 | Bkt, Angle, HOR, HDX, C7 | | each | 1 | | |
| 40 | PUL31261 | Pulley, Crank, 8" dia, 3126, 2B | | each | 1 | | |
| 50 | PUA05000 | Pulley, Assy, Idler, B/S, 5", ALUM, Plt | | each | 1 | | |
| 60 | PUA05002 | Pulley, Assy, Idler, AB gr, 5", ALUM,Plt | | each | 1 | | |
| 70 | PUL80074 | Pulley, Idler, Backside, P8, 76d (89102) | | each | 1 | | |
| 80 | TEN00003 | Tenr, Spring, Un-Direct, 90d, 1/2 x 4.5" | | each | 1 | | |
| 90 | SLV17012 | Sleeve, Pulley, 16.9o x 22.23mm x 12.32i | | each | 3 | | |
| 100 | SCD12912 | Spacer, Col, Drl,12.9 mm x 34.9o x 12.3i | | each | 1 | | |
| 110 | SCD42512 | Spacer, Col, Drl,42.5mm x 34.9o x 12.3i | | each | 1 | | |
| 120 | SCD46012 | Spacer, Col, Drl,46mm x 34.9o x 12.3i | | each | 1 | | |
| 130 | KBK74190 | Bag Kit, Fasteners, KMK74190/KMK74191 | | each | 1 | | |

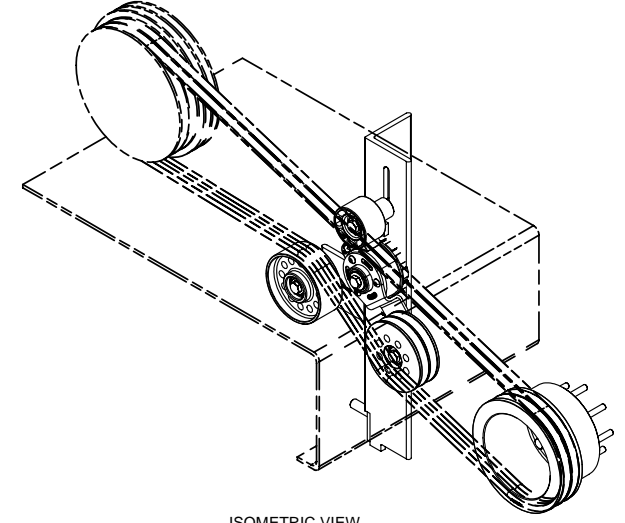
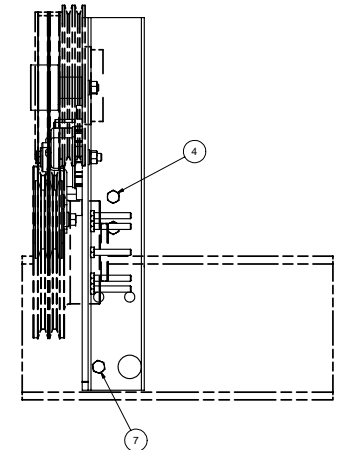
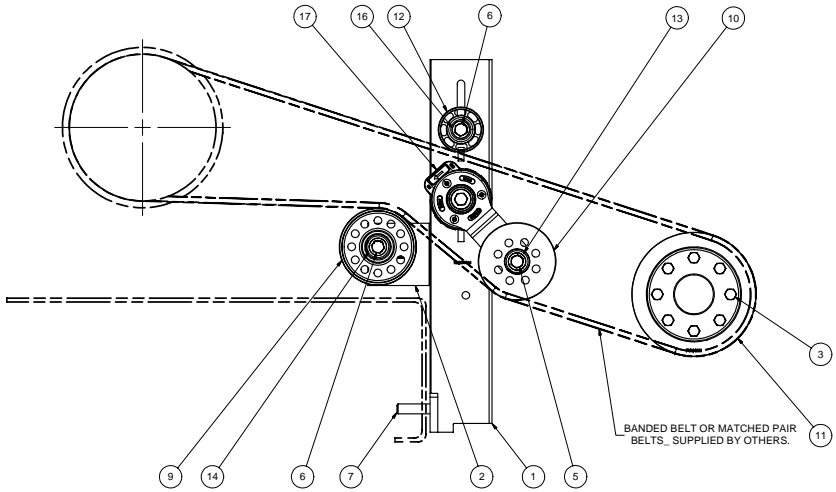
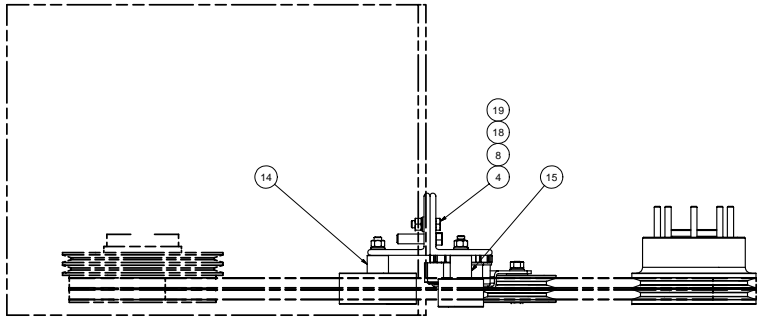
Bill of Materials Listing

TransArctic Canada Inc.

10/12/2005

Page 1 of 1

| Product Number | | Description | Bin | Date | Weight | Uof M | Yield |
|-----------------|-----------------|--|-----|------------------|-------------|-------|----------|
| Line | Component Prod# | Description | | Unit | Qty | | |
| KBK74190 | | Bag Kit, Fasteners, KMK74190/KMK74191 | | 5/12/2005 | 1.88 | | 0 |
| 10 | BTA12060 | Bolt, Hex, 12 x 1.75 x 60mm, 8.8, Plt | | each | 1 | | |
| 20 | BTC12100 | Bolt, Hex, 12 x 1.75 x 100mm, 10.9, Plt | | each | 3 | | |
| 30 | BTC12040 | Bolt, Hex, 12 x 1.75 x 40mm, 10.9, Plt | | each | 2 | | |
| 35 | BTC10060 | Bolt, Hex, 10 x 1.5 x 60mm, 10.9, Plt | | each | 8 | | |
| 40 | BTQ10250 | Bolt, Hex, 5/8-11unc, 2.5", 8. PLT | | each | 1 | | |
| 50 | NTA12000 | Nut, Hex, 12 x 1.75, 8.8, Plt | | each | 6 | | |
| 60 | WFA12000 | Washer, Flat, 12mm, 8.8, Plt | | each | 6 | | |
| 70 | WLA12000 | Washer, Lock, 12mm, 8.8, Plt | | each | 6 | | |



ISOMETRIC VIEW

NOTES:
 1) USE SERVICABLE THREADLOCKER ON ALL FASTENERS TO ENGINE COMPONENTS AND TORQUE ALL BOLTS TO S.A.E. SPECIFICATIONS.
 2) SEE "TRANSARCTIC A/C COMPRESSOR MOUNT INSTALLATION DISCLAIMER".

| ITEM | QTY | UM | PART NUMBER | DESCRIPTION |
|------|-----|------|-------------|---|
| 19 | 6 | EACH | WLA12000 | WASHER, LOCK, 12mm, 8.8, PLT |
| 18 | 6 | EACH | WFA12000 | WASHER, FLAT, 12mm, 8.8, PLT |
| 17 | 1 | EACH | TENR00003 | TENR. SPRING, UN-DIRECT, 90d, 1/2 x 4.5" |
| 16 | 3 | EACH | SLV17012 | SLEEVE, PULLEY, 16.90 x 22.23 mm x 12.19i |
| 15 | 1 | EACH | SCD46012 | SPACER, COL, DRL, 46mm x 34.90 x 12.3i |
| 14 | 1 | EACH | SCD42512 | SPACER, COL, DRL, 42.5mm x 34.90 x 12.3i |
| 13 | 1 | EACH | SCD12912 | SPACER, COL, DRL, 12.9 mm x 34.90 x 12.3i |
| 12 | 1 | EACH | PUL80074 | PULLEY, IDLER, BACKSIDE, P8, 74D, 46.27W |
| 11 | 1 | EACH | PUL31261 | PULLEY, CRANK, 3126, 2B, 8" DIA |
| 10 | 1 | EACH | PLA05002 | PULLEY, ASSY, IDLER, AB, gr, 5" ALUM, PLT |
| 9 | 1 | EACH | PLA05000 | PULLEY, ASSY, IDLER, B/S, 5", ALUM, PLT |
| 8 | 6 | EACH | NTA12000 | NUT, HEX, 12 x 1.75, 8.8, PLT |
| 7 | 1 | EACH | BTQ10250 | BOLT, HEX, 5/8-11UNC, 2.50", 8, PLT |
| 6 | 3 | EACH | BTC12100 | BOLT, HEX, 12 x 1.75 x 100mm, 10.9, PLT |
| 5 | 1 | EACH | BTC12060 | BOLT, HEX, 12 x 1.75 x 60mm, 10.9, PLT |
| 4 | 2 | EACH | BTC12040 | BOLT, HEX, 12 x 1.75 x 40mm, 10.9, PLT |
| 3 | 8 | EACH | BTC10060 | BOLT, HEX, 10 x 1.5 x 60mm, 10.9, PLT |
| 2 | 1 | EACH | BMK70049 | BKT, ANGLE, HOR, HDX, C7 |
| 1 | 1 | EACH | BMK70044 | BKT, ANGLE, VERT, WELDMT, HDX, C7 |

Bills of Material
TRANSARCTIC INC.

| | | | | |
|---|------------------------|-----------|-------------------------|---------------------------------------|
| DRAWN | stewart | 5/10/2005 | TITLE | MT KIT, C7, HDX ER, O5G, 2B, 8" CRANK |
| CHECKED | Ron Ingram | 10/4/2005 | SIZE | D |
| REV | DESCRIPTION | DATE | BY | APPROVED |
| 1 | ITEMS 9 & 10 WERE PUL | 8/29/2006 | VALJ | |
| 0 | RELEASED TO PRODUCTION | 10/4/2005 | VALJ | |
| THIS DRAWING CONTAINS PROPRIETARY CONFIDENTIAL INFORMATION OWNED BY TRANSARCTIC CANADA INC. THE DOCUMENT AND THE INFORMATION IN IT ARE NOT TO BE USED, DISCLOSED OR REPRODUCED WITHOUT EXPRESS WRITTEN PERMISSION OF THE COMPANY. | | | | |
| UNSPECIFIED TOLERANCES: DIM DECIMAL PLACE (X) .00 .000 DIM DECIMAL PLACE (X.00) .00 .000 DIM DECIMAL PLACE (X.000) .00 .000 FRACTIONAL (1/16) ANGULAR ± .05° | | | | |
| THIRD ANGLE PROJECTION | | | DRAWING UNIT OF MEASURE | MM (INCH) |
| SCALE | | | 1 : 1 | SHEET 1 OF 1 |

TransArctic A/C Compressor Mount Installation Disclaimer

All compressor mounts should be installed by qualified and trained personnel using proper tools and equipment in safe working conditions following industry standard guidelines for motor vehicle service and repair.

The installer of any compressor mount purchased from TransArctic must undertake all responsibility of issues arising from that compressor bracket being installed on any vehicle. Mount functionality, operation and durability can all be compromised by an incompetent installation.

Due to the many different situations, parameters and application criteria, which are beyond the compressor mount manufacturer's control, TransArctic does not warrant design, durability, or operational functionality of any compressor mount improperly installed by another party.

With no implied guarantees it is the mount installer's strict responsibility to determine safety and functionality, of the compressor mount, at the time of installation.

Please contact TransArctic with any issue arising from installation so we may better improve the product. If you have any reservations about the compressor mount integrity contact TransArctic immediately at 1-877-COLD-AIR.