

# Bill of Materials Listing

TransArctic Canada Inc.

12/7/2011  
Page 1 of 1

Product Number	Description	Date	Weight	Uof M	Yield
Line    Component    Prod#    Description	Bin	Unit	Qty		
<b>KMC62654</b>	<b>Mt Kit, ISB, 6.7L, BBCV, 2 TM-21, '11+</b>	<b>5/14/2010</b>	<b>14.63</b>		<b>0</b>
10 BEL61130	Belt, 6gr, 1130mm (44.5") (5060445)	each	1		
20 BMC67050	Bkt, Main, Weldmt, ISB, D3FE, 2010	each	1		
30 BMC67053	Bkt, Cradle, BTM, 87mm, ISB, D3FE, 2010	each	1		
40 BMC67054	Bkt, Spacer, Bar, ISB, D3FE, 2010	each	1		
45 BMN80038	Bkt, Rad Hose, PMax DT, CE300	each	1		
46 BMS16022	Bkt, TM-16 Spacer Plate	each	2		
47 CLP20020	Clamp, "P" type, #20, 1/2"w, 1 1/4", PC	each	2		
48 CLP20032	Clamp, "P" type, #32, 1/2"w, 2", PC	each	2		
50 TEN80005	Tenr, HD Spring, BackSide, CCW (89430)	each	1		
60 KBC62654	Bag Kt, Fast'ns, KMC62654/2054	each	1		

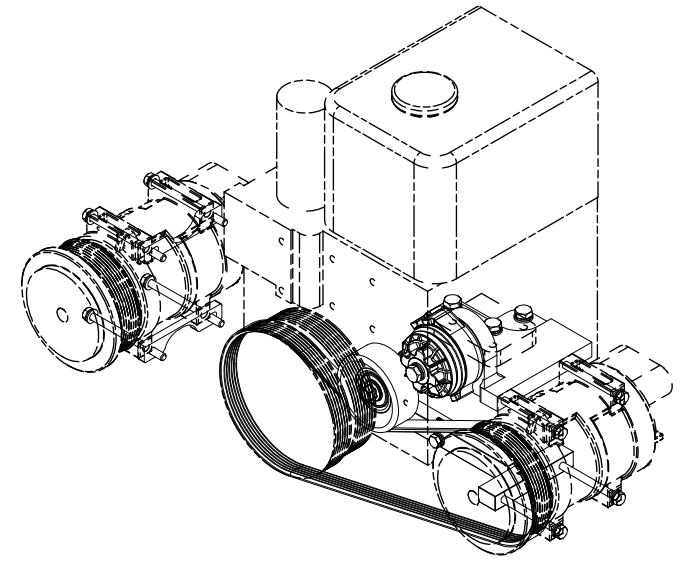
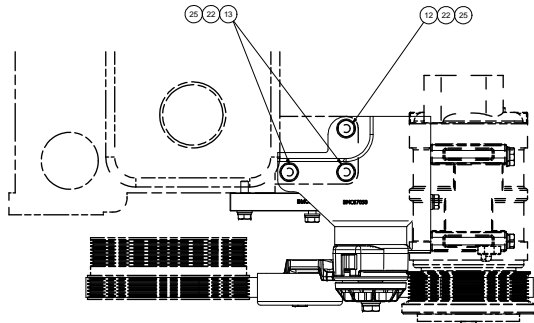
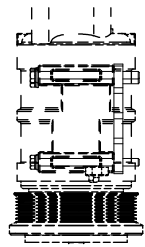
CHECK OEM TENSIONER FOR PROPER ORIENTATION.  
 USE (2) BMS16022 (SPACERS) AS REQ'D, TO GET THE OEM  
 TENSIONER TO IT'S ORIGINAL "CLOCKED" POSITION.

# Bill of Materials Listing

TransArctic Canada Inc.

12/7/2011  
Page 1 of 1

Product Number		Description	Bin	Date	Weight	Uof M	Yield
Line	Component Prod#	Description		Unit	Qty		
<b>KBC62654</b>		<b>Bag Kt, Fast'ns, KMC62654/2054</b>		<b>5/14/2010</b>	<b>1.78</b>		<b>0</b>
10	BTC10080	Bolt, Hex, 10 x 1.5 x 80mm, 10.9, Plt,FT		each	1		
20	BTC10040	Bolt, Hex, 10 x 1.5 x 40mm, 10.9, Plt,FT		each	2		
30	BTC10030	Bolt, Hex, 10 x 1.5 x 30mm, 10.9, Plt		each	1		
40	BTC08100	Bolt, Hex, 8 x 1.25 x 100mm, 10.9, Plt		each	8		
45	BTC08110	Bolt, Hex, 8 x 1.25 x 110mm, 10.9, Plt		each	4		
50	BTC08040	Bolt, Hex, 8 x 1.25 x 40mm, 10.9, Plt,FT		each	1		
60	BTC08035	Bolt, Hex, 8 x 1.25 x 35mm, 10.9, Plt,FT		each	1		
70	BTC08015	Bolt, Hex, 8 x 1.25 x 15mm, 10.9, Plt		each	1		
72	BTP04100	Bolt, Hex, 1/4-20unc, 1", 5, Plt		each	1		
74	NTA08000	Nut, Hex, 8 x 1.25, 8.8, Plt		each	1		
76	NTP04000	Nut, Hex, 1/4-20unc, 5, Plt		each	1		
80	WFA10000	Washer, Flat, 10mm, 8.8, Plt		each	4		
90	WFA08000	Washer, Flat, 8mm, 8.8, Plt		each	11		
95	WFP04000	Washer, Flat, 1/4", 5, Plt		each	1		
100	WLA10000	Washer, Lock, 10mm, 8.8, Plt		each	4		
110	WLA08000	Washer, Lock, 8mm, 8.8, Plt		each	11		
120	WLP04000	Washer, Lock, 1/4", 5, Plt		each	1		



ISOMETRIC VIEW

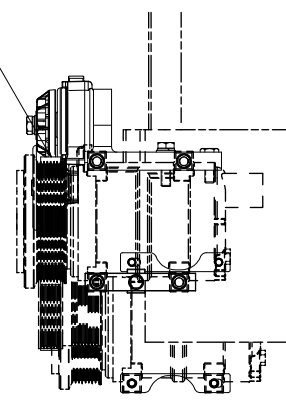
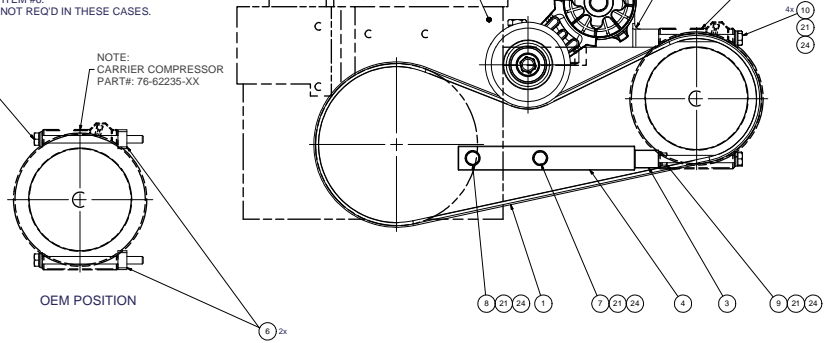


NOTE:  
INSTALL THE 6 GR. BELT ON THE  
MIDDLE 6 GROOVES OF THE 8 GR.  
COMPRESSOR PULLEY.

NOTE:  
CARRIER COMPRESSOR  
PART#: 76-62235-XX

NOTE:  
- ON A SINGLE MOUNT INSTALL.  
- DELETE (4) OF EACH OF THESE ITEM#s, 11, 21, 24.  
AND DELETE (2) OF ITEM #6.  
- THESE PARTS ARE NOT REQ'D IN THESE CASES.

NOTE:  
CARRIER COMPRESSOR  
PART#: 76-62235-XX



NOTES:  
1) USE SERVICABLE THREADLOCKER ON ALL FASTENERS TO ENGINE COMPONENTS AND TORQUE ALL BOLTS TO S.A.E. SPECIFICATIONS.  
2) SEE "TRANSARC TIC A/C COMPRESSOR MOUNT INSTALLATION DISCLAIMER".

ITEM	QTY	UM	PART NUMBER	DESCRIPTION
26	1	EACH	WLP04000	WASHER, LOCK, 1/4", 5, PLT
25	4	EACH	WLA10000	WASHER, LOCK, 10mm, 8.8, PLT
24	11	EACH	WLA08000	WASHER, LOCK, 8mm, 8.8, PLT
23	1	EACH	WFP04000	WASHER, FLAT, 1/4", 5, PLT
22	4	EACH	WFA10000	WASHER, FLAT, 10mm, 8.8, PLT
21	11	EACH	WFA08000	WASHER, FLAT, 8mm, 8.8, PLT
20	1	EACH	TEN80005	TENR, HD SPRING, BACKSIDE, CCW (84330)
19	1	EACH	NTP04000	NUT, HEX, 1/4-20UNC, 5, PLT
18	1	EACH	NTA08000	NUT, HEX, 8 x 1.25, 8.8, PLT
17	2	EACH	CLP20032	CLAMP, "P" TYPE, #32, 1/2" W, 2", PC
16	2	EACH	CLP10020	CLAMP, "P" TYPE, #20, 1/2" W, 1 1/4", PC
15	1	EACH	BTPM100	BOLT, HEX, 1/4-20UNC, 1", 5, PLT
14	1	EACH	BTC10080	BOLT, HEX, 10 x 1.5 x 80mm, 10.9, PLT, FT
13	2	EACH	BTC10040	BOLT, HEX, 10 x 1.5 x 40mm, 10.9, PLT
12	1	EACH	BTC10020	BOLT, HEX, 10 x 1.5 x 20mm, 10.9, PLT
11	4	EACH	BTC08110	BOLT, HEX, 8 x 1.25 x 110mm, 10.9, PLT
10	4	EACH	BTC08100	BOLT, HEX, 8 x 1.25 x 100mm, 10.9, PLT
9	1	EACH	BTC08040	BOLT, HEX, 8 x 1.25 x 40mm, 10.9, PLT
8	1	EACH	BTC08035	BOLT, HEX, 8 x 1.25 x 35mm, 10.9, PLT
7	1	EACH	BTC08015	BOLT, HEX, 8 x 1.25 x 15mm, 10.9, PLT
6	2	EACH	BMS10022	BKT, TM 16, SPACER PLATE
5	1	EACH	BMN80038	BKT, RAD HOSE, PMAX DT, CE300
4	1	EACH	BMC87054	BKT, SPACER BAR, ISB, D3FE, 2010
3	1	EACH	BMC87053	BKT, CRADLE, BTM, 187mm, ISB, D3FE, 2010
2	1	EACH	BMC87050	BKT, MAIN WELDMT, ISB, D3FE, 2010
1	1	EACH	BEL61130	BELT, 6 gr, 1130mm (44.5")

DRAWN: [blank] DATE: 12/27/2011  
 CHECKED: [blank] DATE: 12/27/2011  
 DESIGNED: [blank] DATE: 12/27/2011  
 REV: [blank] DESCRIPTION: [blank] DATE: [blank] BY: [blank]

THIS DRAWING CONTAINS PROPRIETARY CONFIDENTIAL INFORMATION.  
 OWNED BY TRANSARC TIC. THIS DOCUMENT AND THE  
 INFORMATION IN IT ARE NOT TO BE USED, REPRODUCED OR TRANSMITTED IN ANY MANNER WITHOUT EXPRESS WRITTEN PERMISSION OF THE COMPANY.

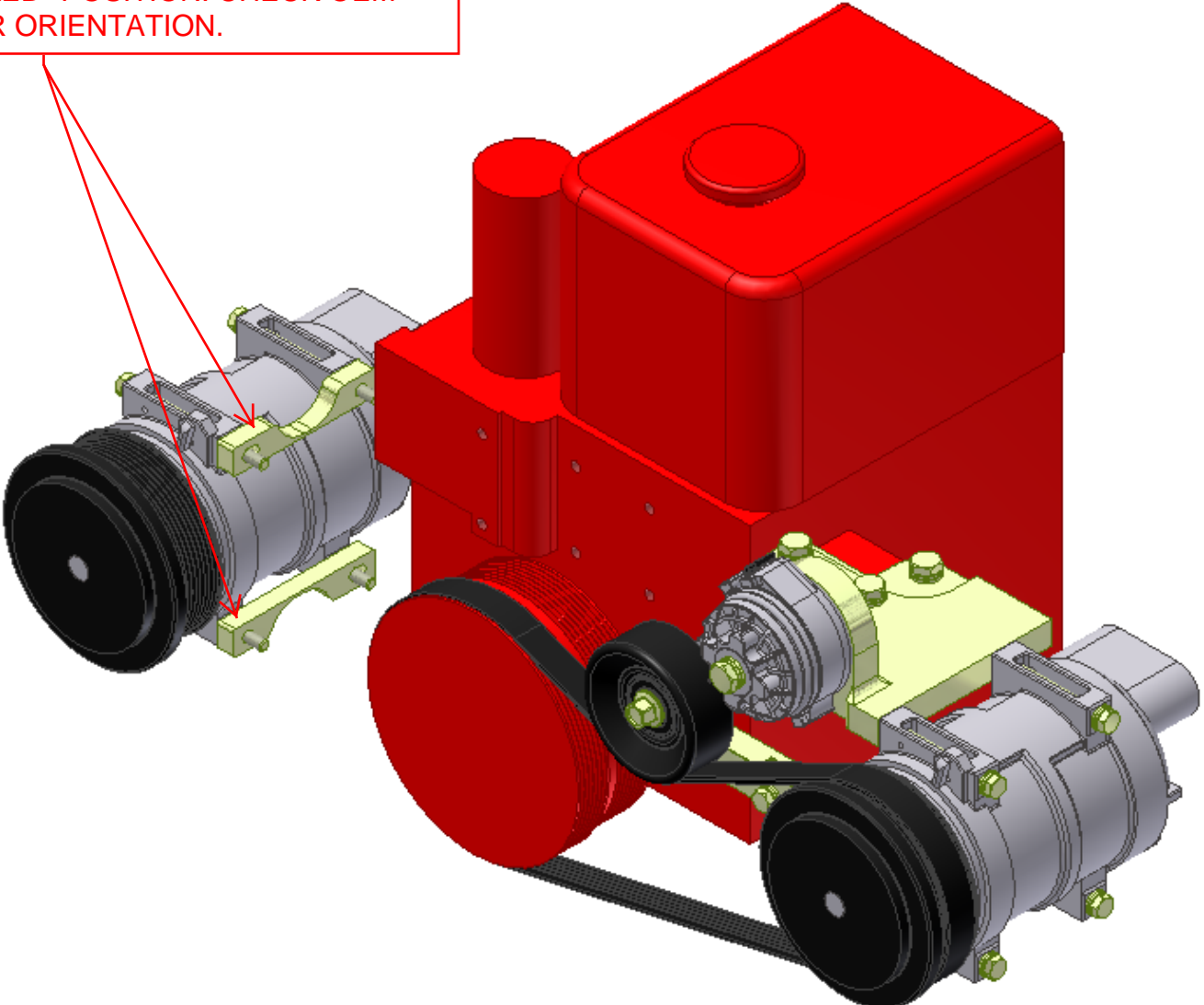
DIMENSIONS TO SURF UNLESS NOTED OTHERWISE  
 DIMENSIONS IN PARENTHESIS ARE FOR INFORMATION ONLY  
 DIMENSIONS IN INCHES ARE SHOWN IN PARENTHESIS  
 DIMENSIONS IN MILLIMETERS ARE SHOWN IN PARENTHESIS  
 DIMENSIONS IN METERS ARE SHOWN IN PARENTHESIS

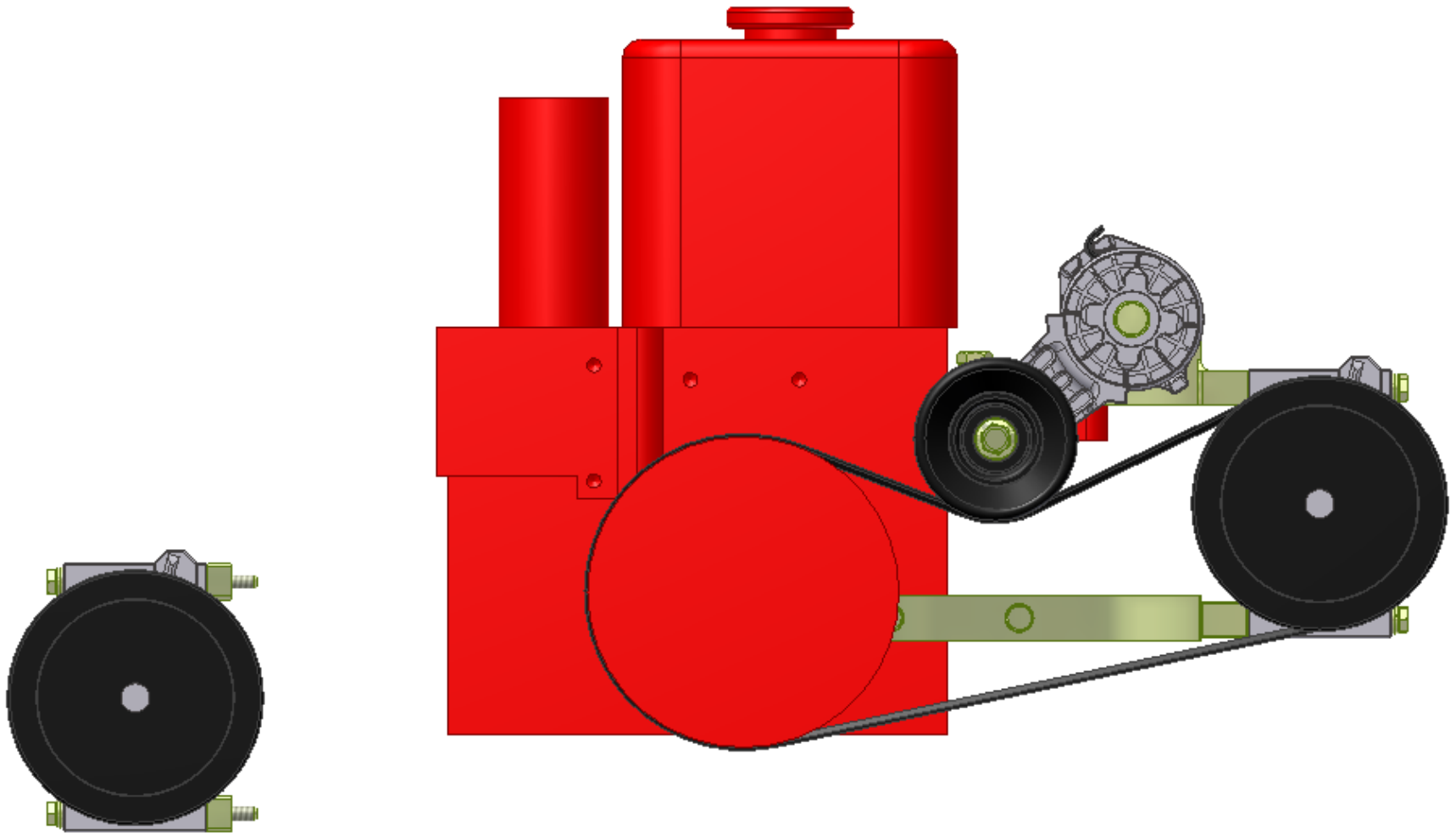
THIRD ANGLE PROJECTION

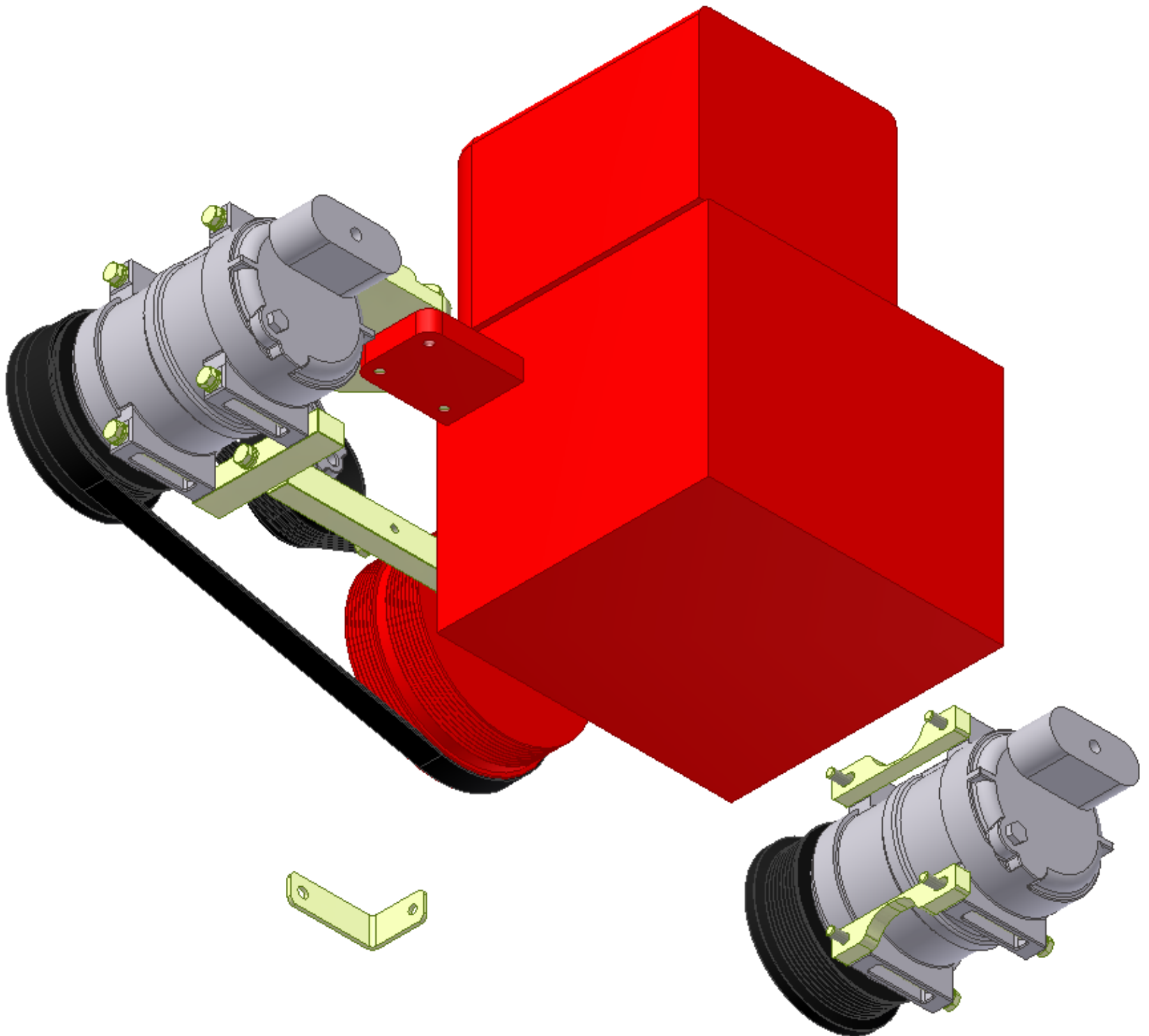
DRAWING UNIT OF MEASURE: MM (INCH)  
 SHEET 1 OF 1

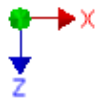
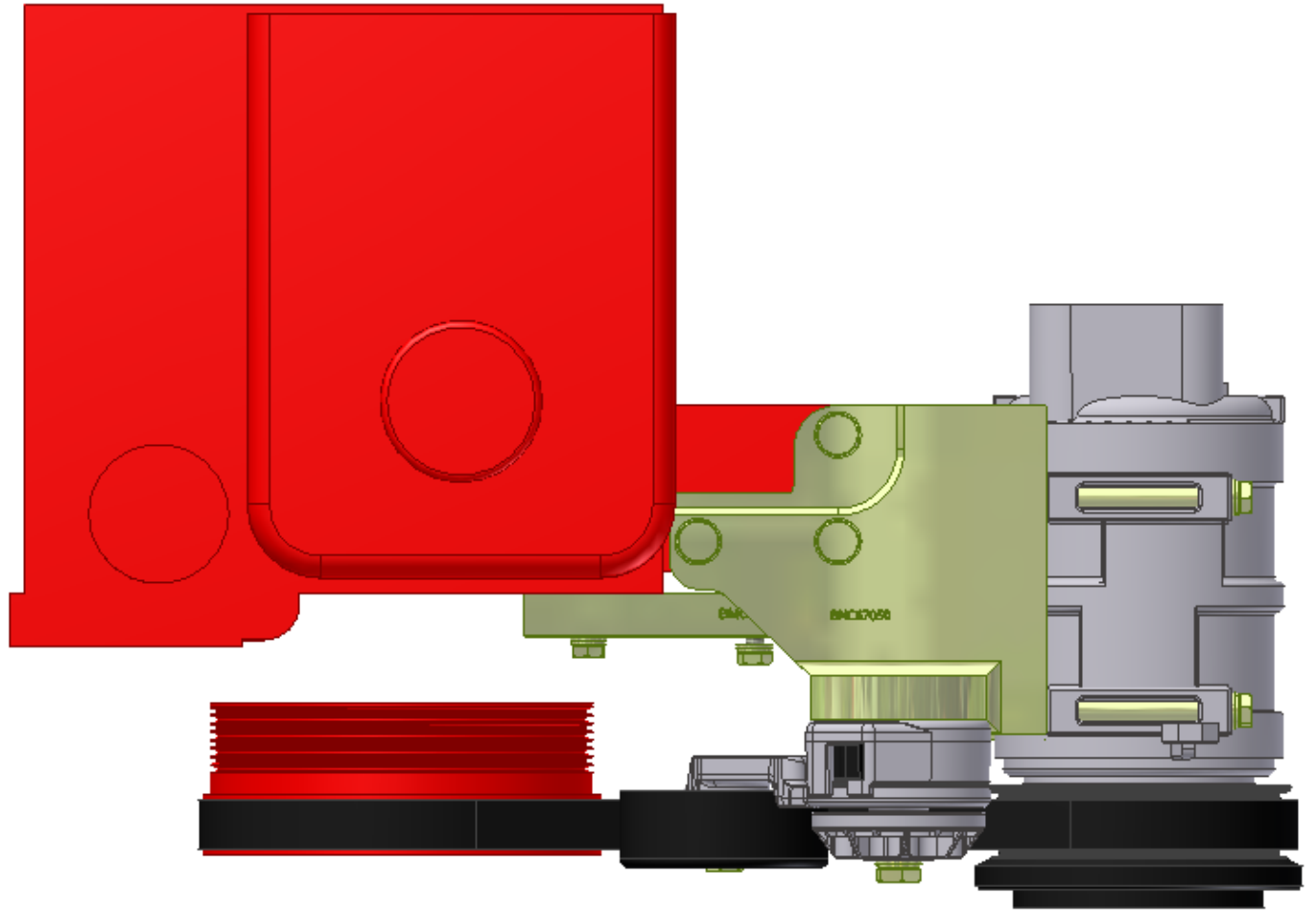
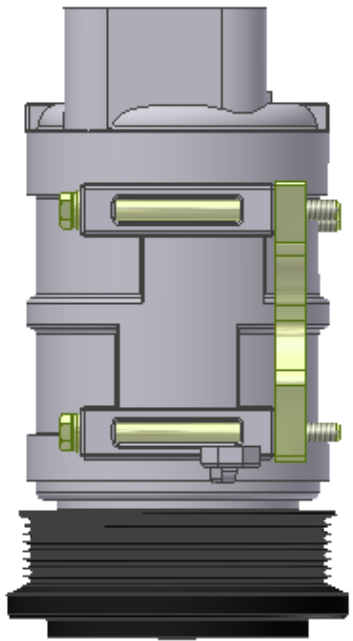
**TRANSARC TIC INC.**  
 MT KIT, ISB, 6.7L, D3/VIS, 2 TM-21, '11  
 DWG NO: KMC62654  
 REV: 0

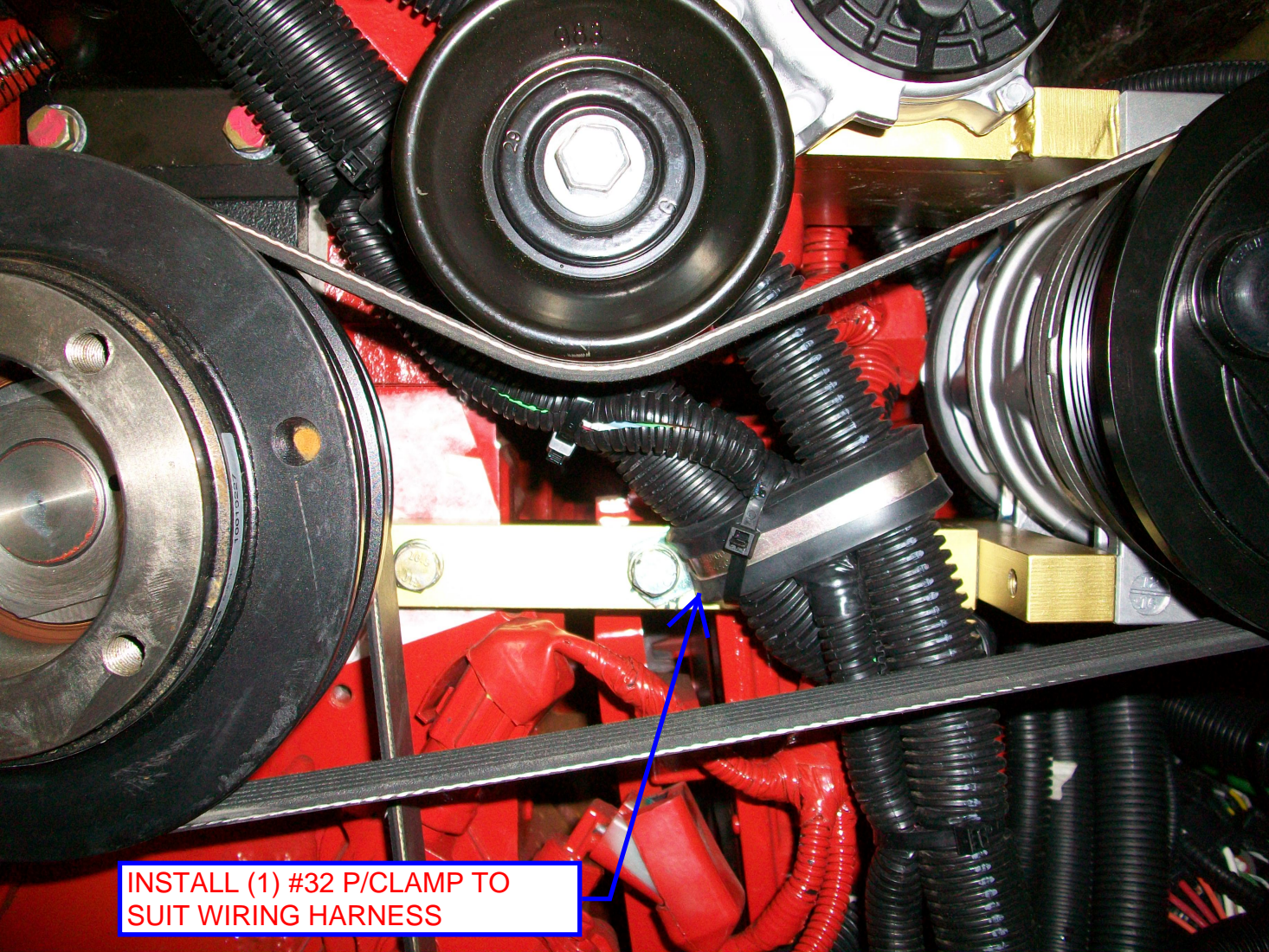
USE THESE (2) SPACERS TO GET THE OEM TENSIONER TO IT'S ORIGINAL "CLOCKED" POSITION. CHECK OEM TENSIONER FOR PROPER ORIENTATION.







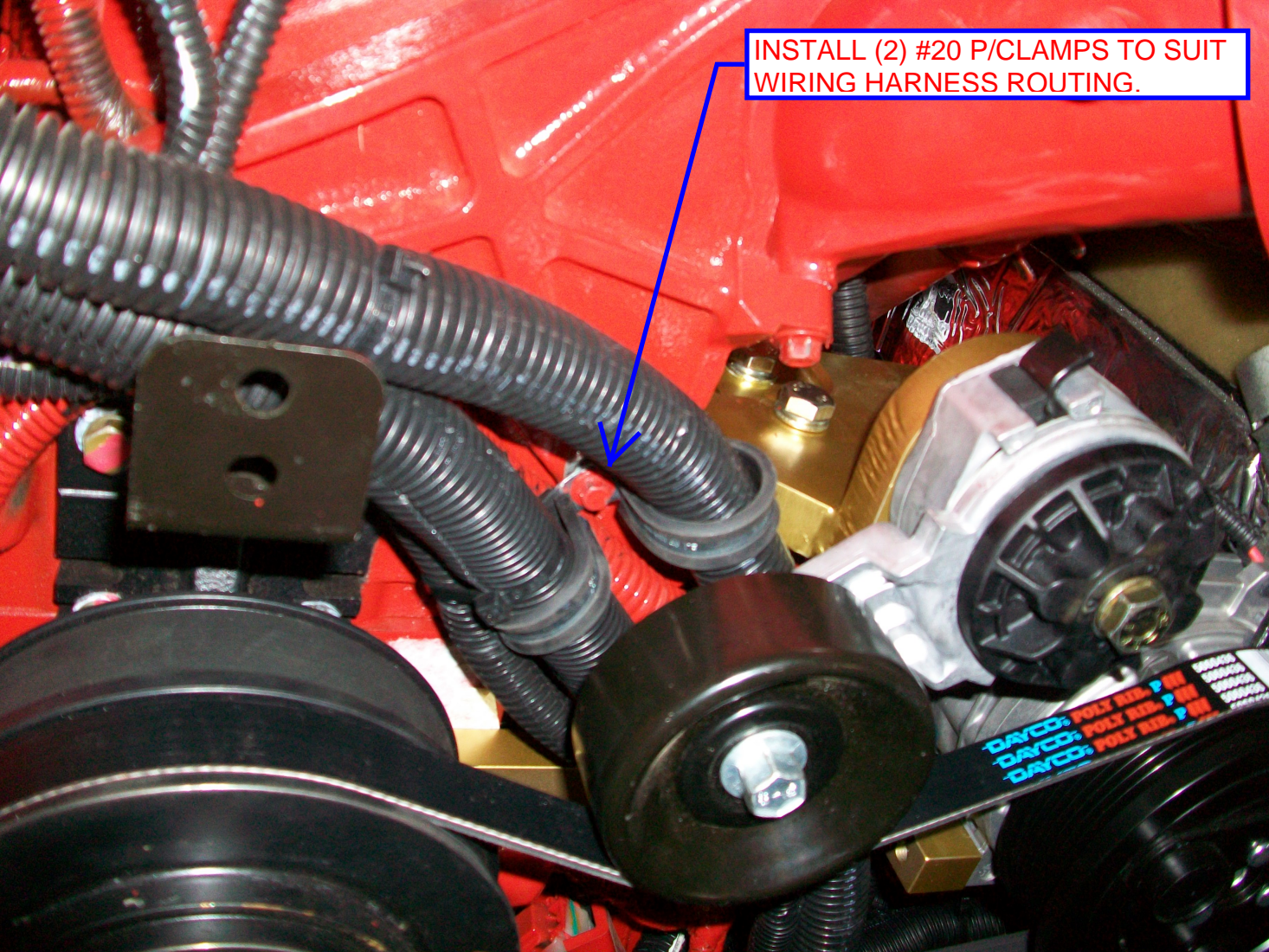




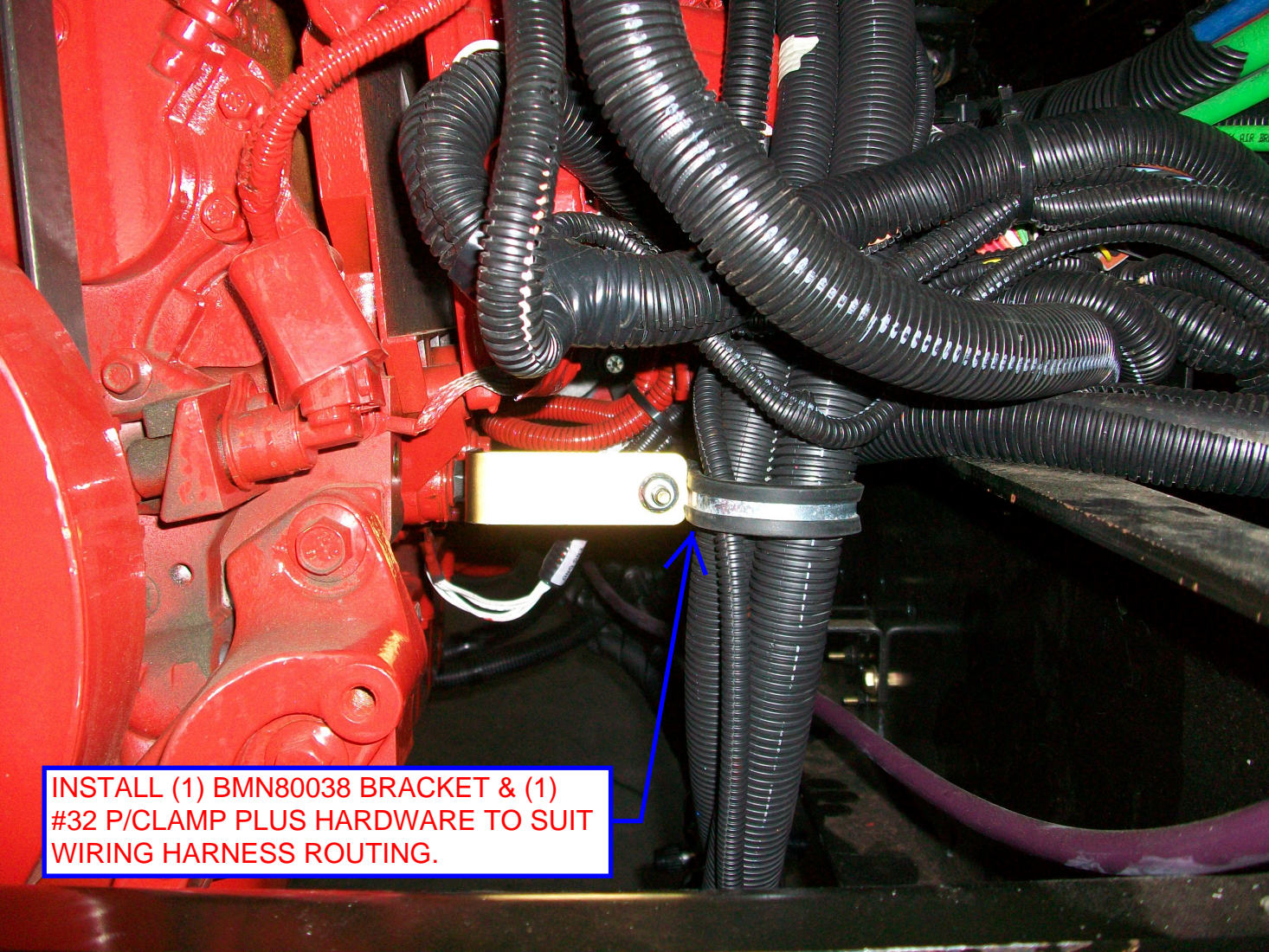
**INSTALL (1) #32 P/CLAMP TO  
SUIT WIRING HARNESS**



INSTALL (2) #20 P/CLAMPS TO SUIT WIRING HARNESS ROUTING.



DAYCO POLY BELT  
DAYCO POLY BELT  
DAYCO POLY BELT



**INSTALL (1) BMN80038 BRACKET & (1)  
#32 P/CLAMP PLUS HARDWARE TO SUIT  
WIRING HARNESS ROUTING.**

## **TransArctic A/C Compressor Mount Installation Disclaimer**

All compressor mounts should be installed by qualified and trained personnel using proper tools and equipment in safe working conditions following industry standard guidelines for motor vehicle service and repair.

The installer of any compressor mount purchased from TransArctic must undertake all responsibility of issues arising from that compressor bracket being installed on any vehicle. As well as insure that a **proper and sufficient ground** is established between the compressors' clutches and the vehicle's engine. Mount functionality, operation and durability can all be compromised by an incompetent installation.

Due to the many different situations, parameters and application criteria, which are beyond the compressor mount manufacturer's control, TransArctic does not warrant design, durability, or operational functionality of any compressor mount improperly installed by another party.

**With no implied guarantees it is the mount installer's strict responsibility to determine safety and functionality, of the compressor mount, at the time of installation.**

Please contact TransArctic with any issue arising from installation so we may better improve the product. If you have any reservations about the compressor mount integrity contact TransArctic immediately at 1-877-COLD-AIR.

**Mark OEM tensioner location**

**Install Kit**

**Check for Interferences**

**Check to ensure that the proper OEM tensioner orientation is maintained**

**Run engine with A/C system engaged for at least 10 minutes to run in belt**

**Check OEM tensioner orientation and adjust as required**

### **Responsabilidad limitada de TransArctic en la instalación del soporte del compresor**

Todos los soportes de los compresores deben ser instalados por personas calificadas y entrenadas, usando para ello los equipos y herramientas necesarios para esta labor en buenas condiciones y según las normas y guías para el servicio y/o reparación de motores de vehículos.

El instalador de los soportes comprados en TransArctic asume toda la responsabilidad de cualquier problema que surga en el soporte del compresor al vehículo; de igual manera es responsable que el cable a tierra sea conectado entre el embrague del compresor y el motor del vehículo.

Se advierte que el buen funcionamiento y la durabilidad del soporte pueden ser comprometidos por defectos en su instalación.

Debido a las diversas situaciones que se puedan presentar fuera del control del fabricante, TransArctic no garantiza el diseño, la durabilidad o el correcto funcionamiento de cualquier equipo inapropiadamente instalado por terceros.

**Esta sobreentendido que el Instalador del montaje del compresor es estrictamente responsable de la seguridad y funcionamiento del equipo en el momento de la instalación.**

Si tuviera algún problema o duda acerca de la instalación del soporte del compresor pongase en contacto inmediatamente con TransArctic al teléfono 1-877-COLD-AIR de modo que podamos mejorar nuestro producto.

**Note la ubicación del medidor de tensión OEM**

**Instale el equipo**

**Controlar si hay interferencias.**

**Asegurese que el medidor de tensión mantenga la orientación justa.**

**Encienda el motor por lo menos 10 minutos con el sistema A/C enganchado para que la correa corra**

**Controle la orientación justa del medidor de tensión y ajuste a las condiciones requeridas del fabricante**