

Bill of Materials Listing

TransArctic Canada Inc.

2/10/2009
Page 1 of 1

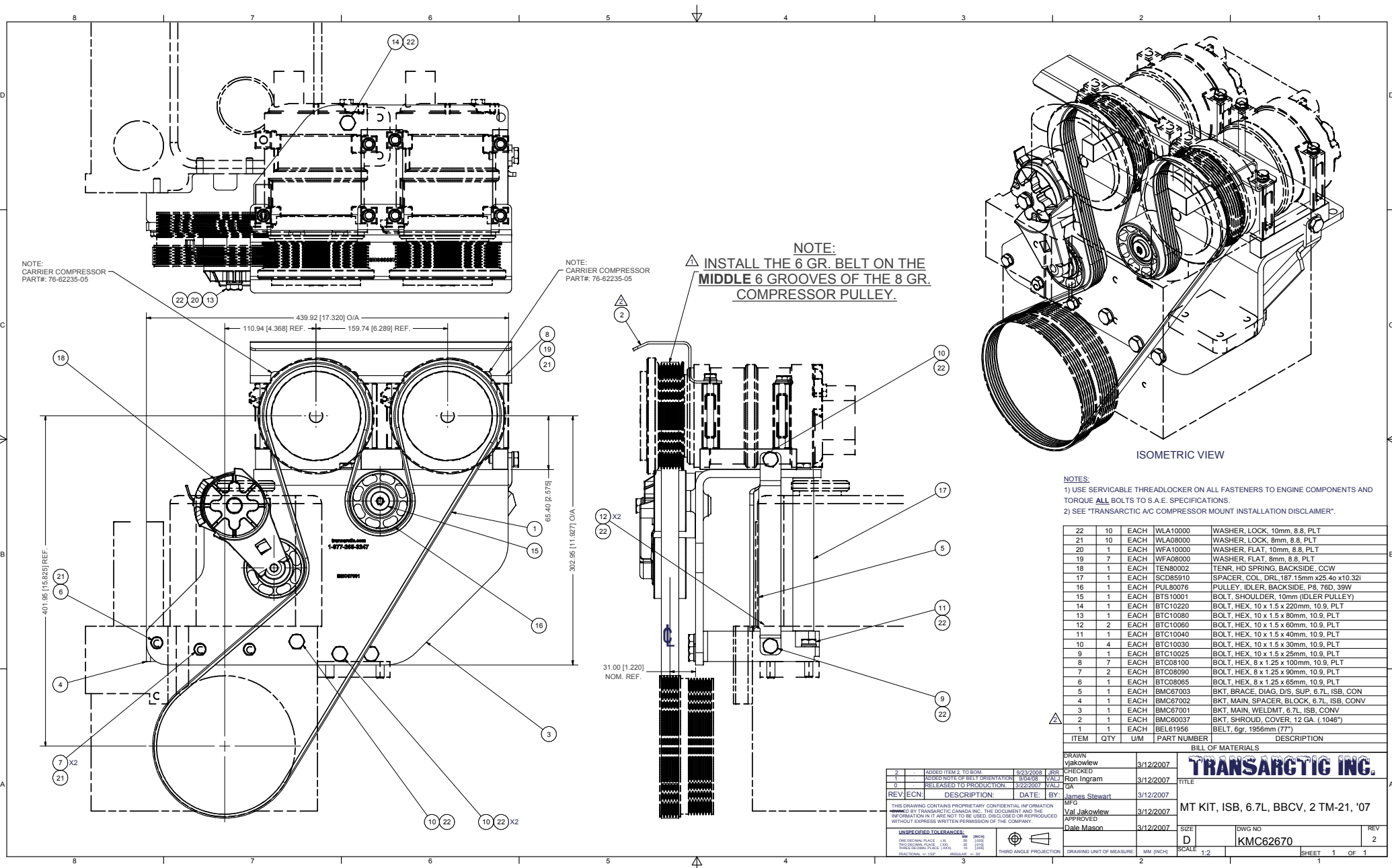
| Product Number | Description | Date | Weight | Uof M | Yield |
|---|--|------------------|--------------|-------|----------|
| Line Component Prod# Description | Bin | Unit | Qty | | |
| KMC62670 | Mt Kit, ISB, 6.7L, BBCV, 2 TM-21, '07 | 3/13/2007 | 48.23 | | 0 |
| 10 BEL61956 | Belt, 6gr, 1956mm (77") (5060770) | each | 1 | | |
| 15 BMC60037 | Bkt, Shroud, Cover, 12 Ga. (.1046") | each | 1 | | |
| 20 BMC67001 | Bkt, Main, Weldmt, 6.7L, ISB, Conv | each | 1 | | |
| 30 BMC67002 | Bkt, Main, Spacer, Block, 6.7L, ISB,Conv | each | 1 | | |
| 40 BMC67003 | Bkt, Brace, Diag, D/S, Sup,6.7,LISB,Conv | each | 1 | | |
| 50 SCD85910 | Spacer, Col,Drl,187.15mm x25.4o x10.32i | each | 1 | | |
| 60 PUL80076 | Pulley, Idler, Backside, P8, 76d (89062) | each | 1 | | |
| 70 TEN80002 | Tenr, HD Spring, BackSide, CCW (89200A) | each | 1 | | |
| 80 KBC62670 | Bag Kit, Fasteners, KMC62670/KMC62070 | each | 1 | | |

Bill of Materials Listing

TransArctic Canada Inc.

2/10/2009
Page 1 of 1

| Product Number | Description | Date | Weight | Uof M | Yield |
|----------------------------|--|--|------------------|-------------|----------|
| Line Component Prod# | Description | Bin Unit | Qty | | |
| KBC62670 | Bag Kit, Fasteners, KMC62670/KMC62070 | | 3/31/2006 | 2.06 | 0 |
| 10 | BTS10001 | Bolt, Shoulder, 10mm (89064) | each | 1 | |
| 12 | BTC10220 | Bolt, Hex, 10 x 1.5 x 220mm, 10.9, Plt | each | 1 | |
| 15 | BTC10080 | Bolt, Hex, 10 x 1.5 x 80mm, 10.9, FT,Plt | each | 1 | |
| 17 | BTC10060 | Bolt, Hex, 10 x 1.5 x 60mm, 10.9, Plt | each | 2 | |
| 20 | BTC10040 | Bolt, Hex, 10 x 1.5 x 40mm, 10.9, Plt | each | 1 | |
| 30 | BTC10030 | Bolt, Hex, 10 x 1.5 x 30mm, 10.9, Plt | each | 4 | |
| 35 | BTC10025 | Bolt, Hex, 10 x 1.5 x 25mm, 10.9, Plt | each | 1 | |
| 40 | BTC08100 | Bolt, Hex, 8 x 1.25 x 100mm, 10.9, Plt | each | 7 | |
| 50 | BTC08090 | Bolt, Hex, 8 x 1.25 x 90mm, 10.9, Plt | each | 2 | |
| 60 | BTC08065 | Bolt, Hex, 8 x 1.25 x 65mm, 10.9, Plt | each | 1 | |
| 100 | WFA08000 | Washer, Flat, 8mm, 8.8, Plt | each | 7 | |
| 105 | WFA10000 | Washer, Flat, 10mm, 8.8, Plt | each | 1 | |
| 110 | WLA08000 | Washer, Lock, 8mm, 8.8, Plt | each | 10 | |
| 120 | WLA10000 | Washer, Lock, 10mm, 8.8, Plt | each | 11 | |



- NOTES:
- 1) USE SERVICABLE THREADLOCKER ON ALL FASTENERS TO ENGINE COMPONENTS AND TORQUE ALL BOLTS TO S.A.E. SPECIFICATIONS.
 - 2) SEE "TRANSARGTIG A/C COMPRESSOR MOUNT INSTALLATION DISCLAIMER".

| ITEM | QTY | U/M | PART NUMBER | DESCRIPTION |
|------|-----|------|-------------|--|
| 22 | 10 | EACH | WLA10000 | WASHER, LOCK, 10mm, 8.8, PLT |
| 21 | 10 | EACH | WLA08000 | WASHER, LOCK, 8mm, 8.8, PLT |
| 20 | 1 | EACH | WFA10000 | WASHER, FLAT, 10mm, 8.8, PLT |
| 19 | 7 | EACH | WFA08000 | WASHER, FLAT, 8mm, 8.8, PLT |
| 18 | 1 | EACH | TEN80002 | TENR, HD SPRING, BACKSIDE, CCW |
| 17 | 1 | EACH | SCD85910 | SPACER, COL, DRL, 187.15mm x25.4x10.321 |
| 16 | 1 | EACH | PUL80076 | PULLEY, IDLER, BACKSIDE, P8, 76D, 39W |
| 15 | 1 | EACH | BTS10001 | BOLT, SHOULDER, 10mm (IDLER PULLEY) |
| 14 | 1 | EACH | BTC10220 | BOLT, HEX, 10 x 1.5 x 220mm, 10.9, PLT |
| 13 | 1 | EACH | BTC10080 | BOLT, HEX, 10 x 1.5 x 80mm, 10.9, PLT |
| 12 | 2 | EACH | BTC10060 | BOLT, HEX, 10 x 1.5 x 60mm, 10.9, PLT |
| 11 | 1 | EACH | BTC10040 | BOLT, HEX, 10 x 1.5 x 40mm, 10.9, PLT |
| 10 | 4 | EACH | BTC10030 | BOLT, HEX, 10 x 1.5 x 30mm, 10.9, PLT |
| 9 | 1 | EACH | BTC10025 | BOLT, HEX, 10 x 1.5 x 25mm, 10.9, PLT |
| 8 | 7 | EACH | BTC08100 | BOLT, HEX, 8 x 1.25 x 100mm, 10.9, PLT |
| 7 | 2 | EACH | BTC08090 | BOLT, HEX, 8 x 1.25 x 90mm, 10.9, PLT |
| 6 | 1 | EACH | BTC08065 | BOLT, HEX, 8 x 1.25 x 65mm, 10.9, PLT |
| 5 | 1 | EACH | BMC67003 | BKT, BRACE, DIAG, D/S, SUP, 6.7L, ISB, CON |
| 4 | 1 | EACH | BMC67002 | BKT, MAIN, SPACER, BLOCK, 6.7L, ISB, CONV |
| 3 | 1 | EACH | BMC67001 | BKT, MAIN, WELDMT, 6.7L, ISB, CONV |
| 2 | 1 | EACH | BMC60037 | BKT, SHROUD, COVER, 12 GA, (1046*) |
| 1 | 1 | EACH | BEL19156 | BELT, 6gr, 1956mm (77") |

TRANSARGTIG INC.

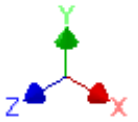
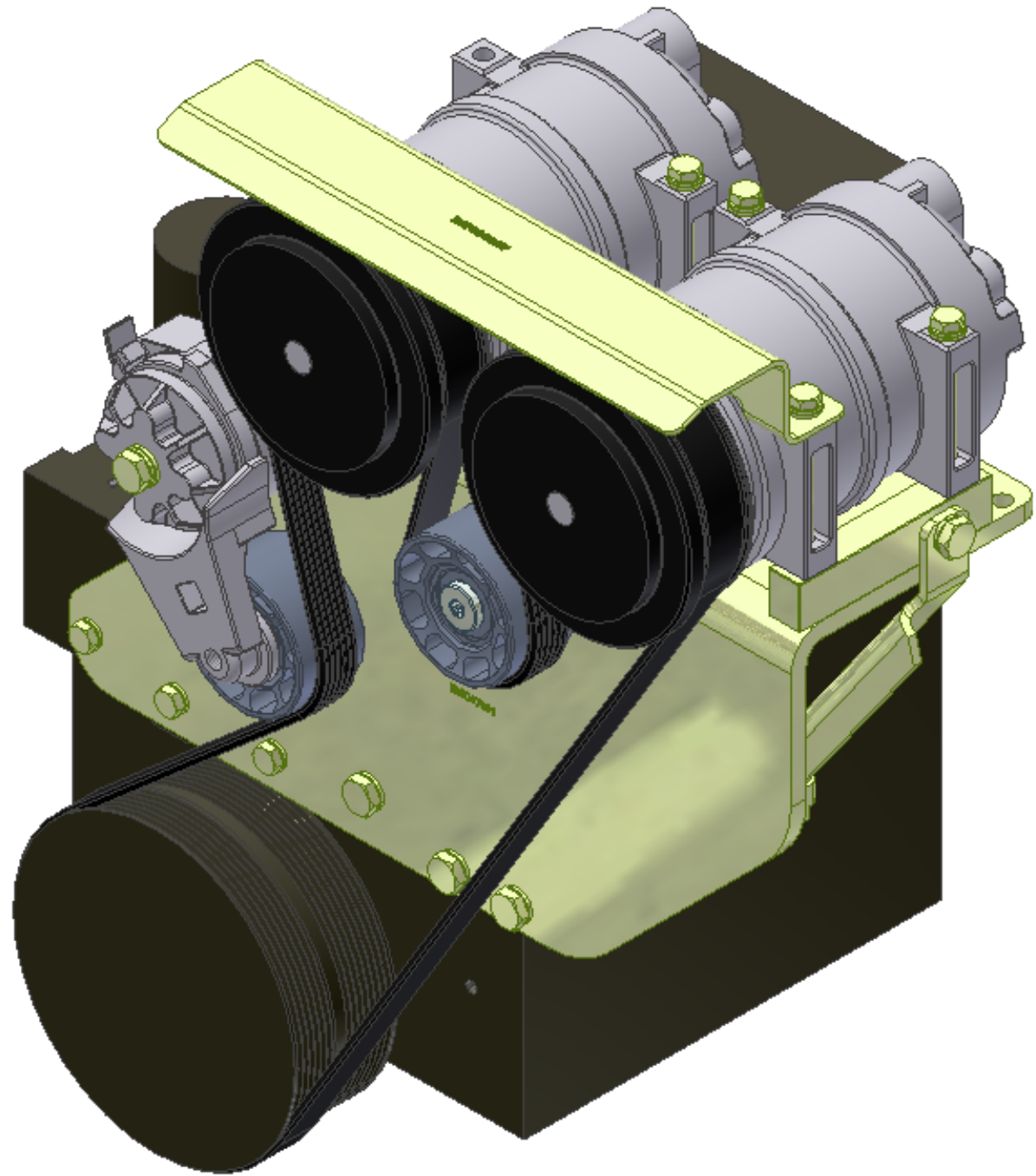
MT KIT, ISB, 6.7L, BBCV, 2 TM-21, '07

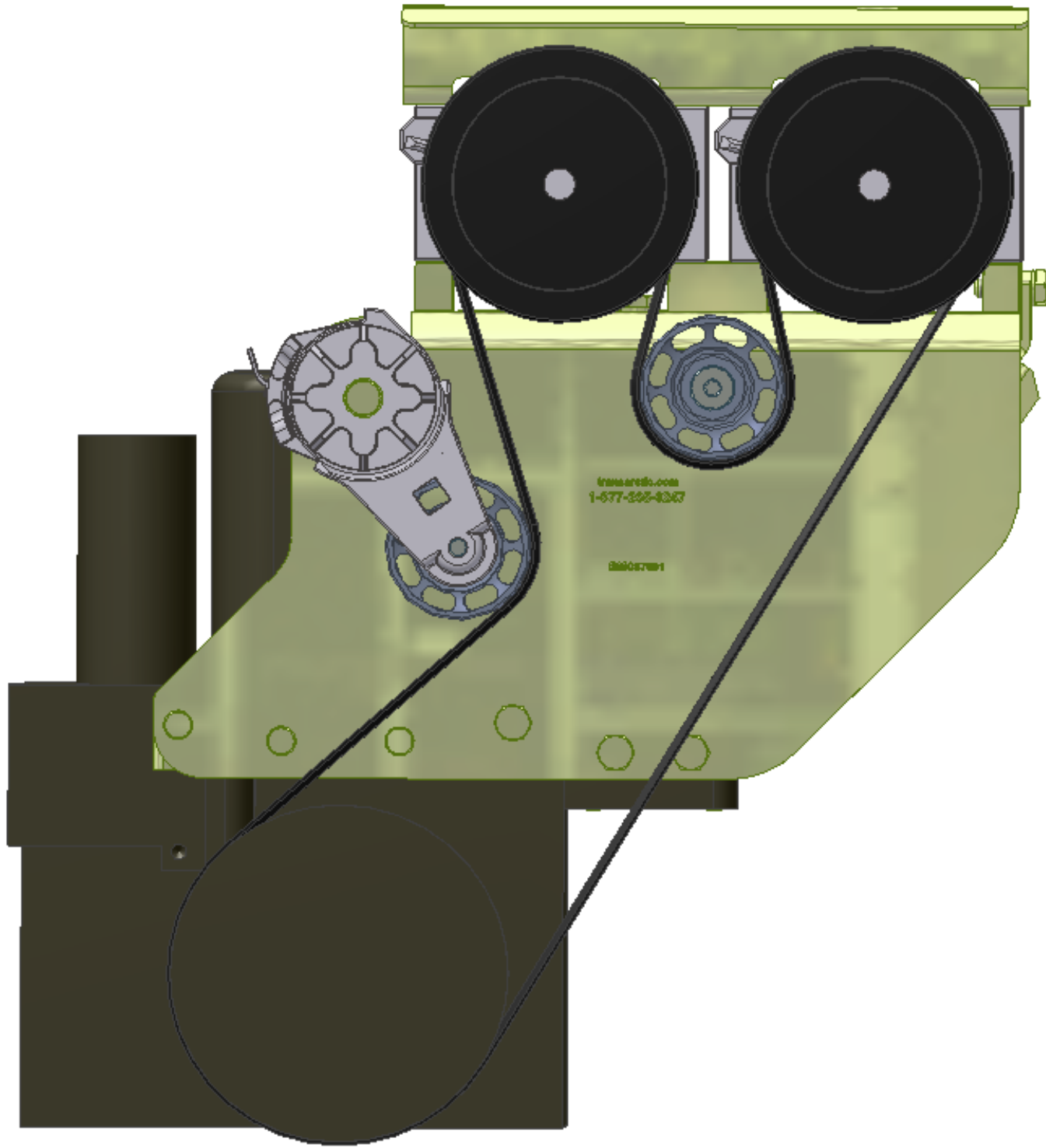
DWG NO: KMC62670

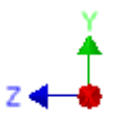
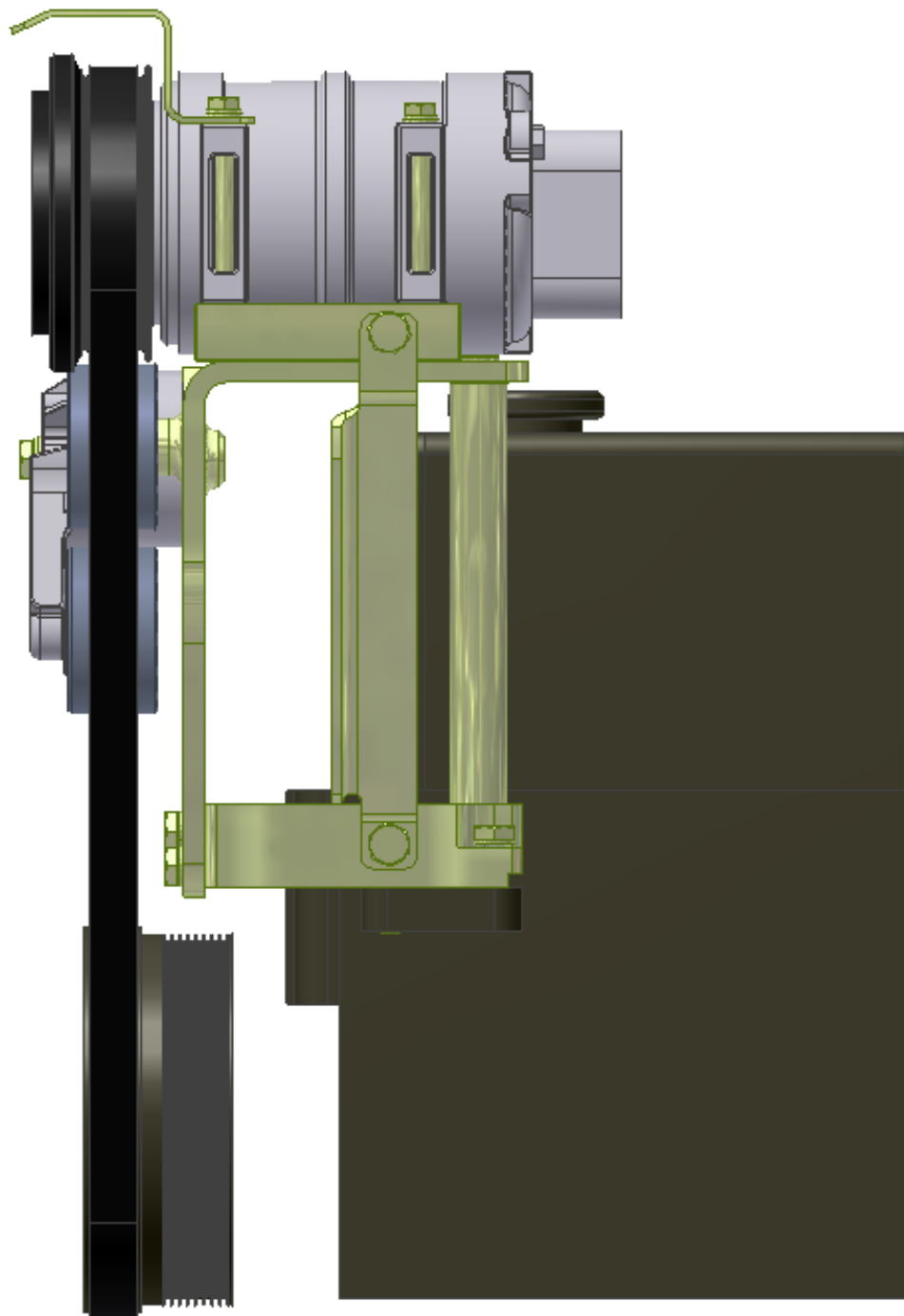
REV: 2

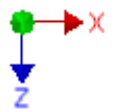
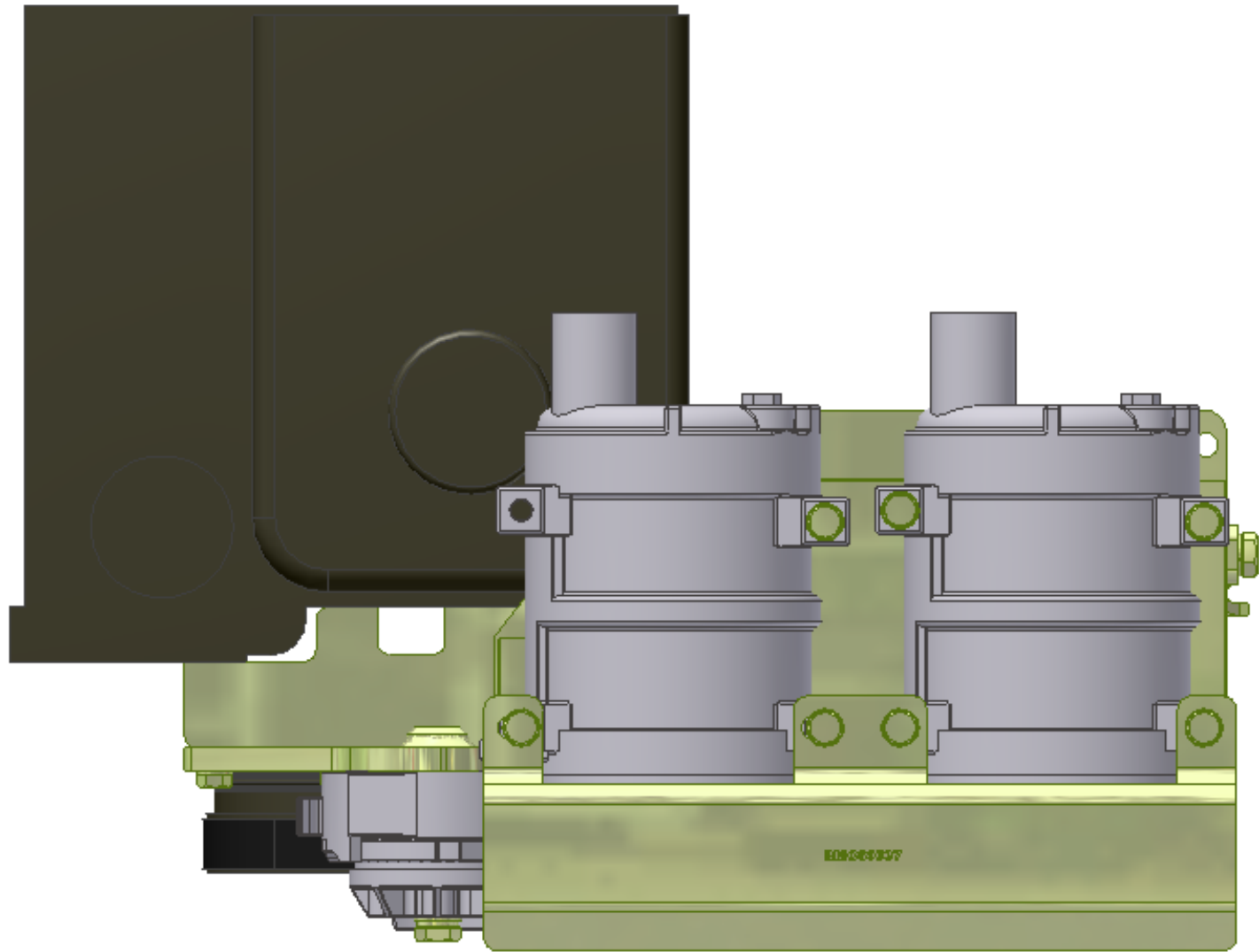
SCALE: 1:2

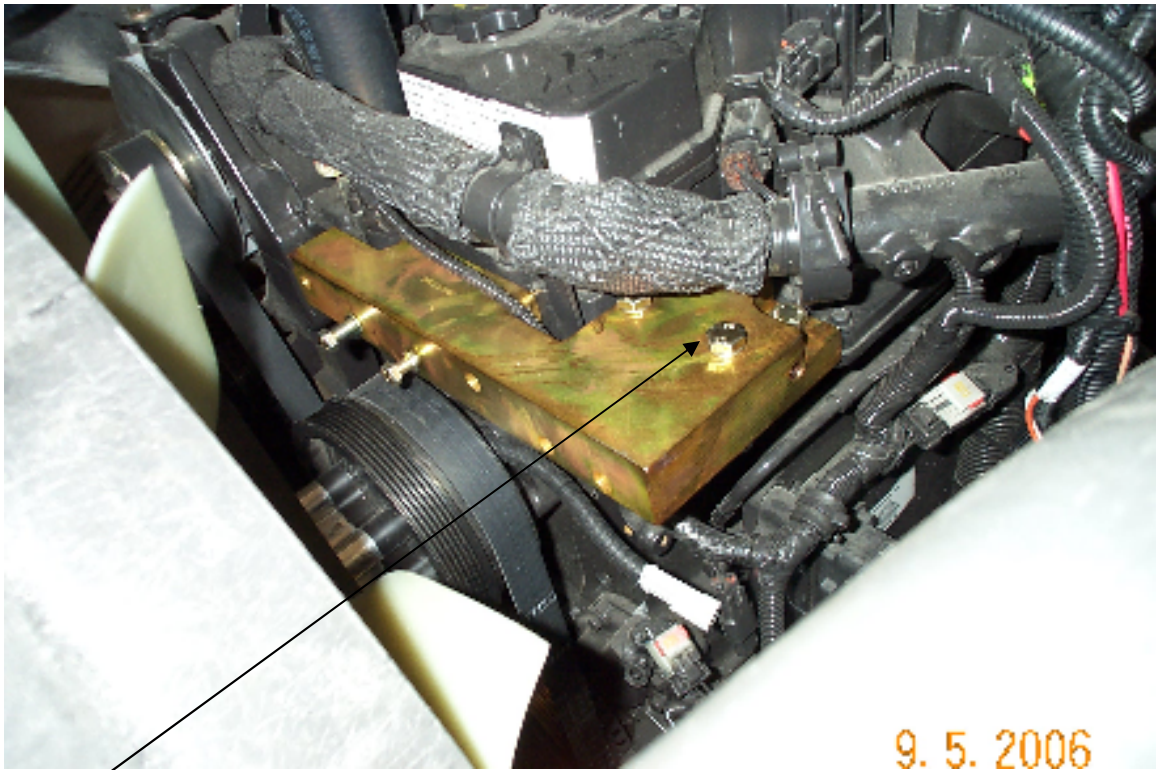
SHEET 1 OF 1



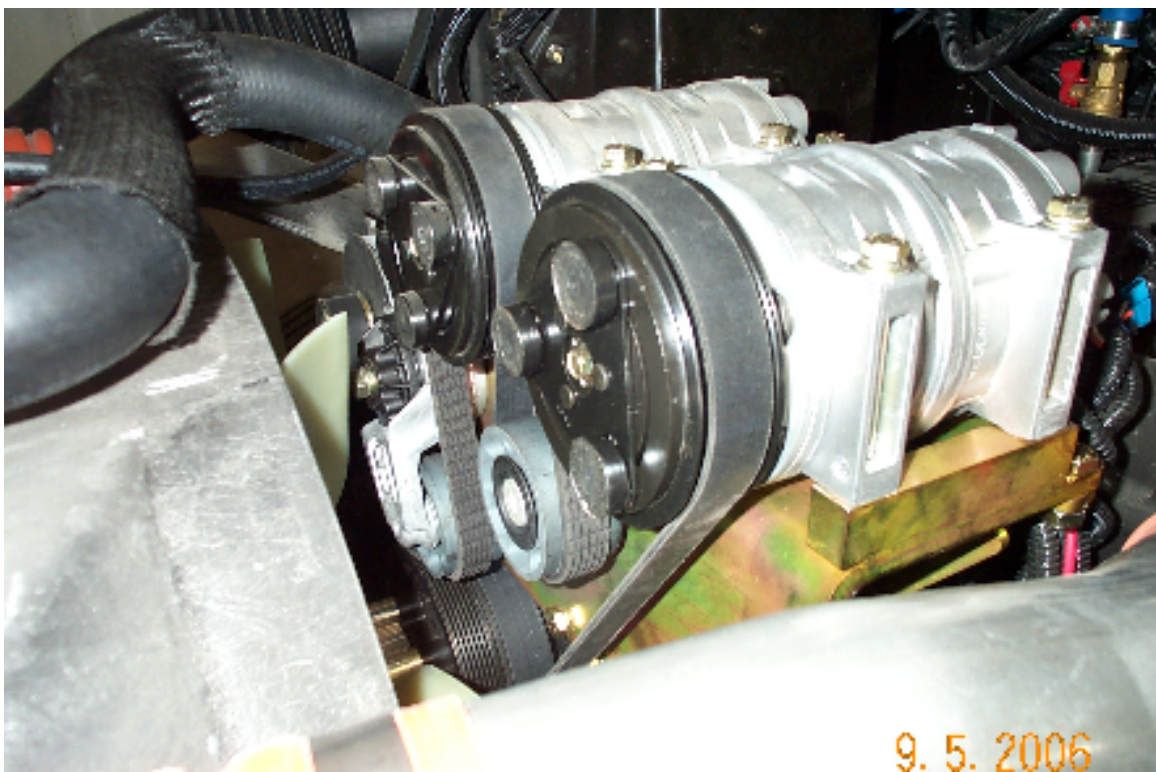








Install bolts finger tight to hold in place then put on Main Bracket



TransArctic A/C Compressor Mount Installation Disclaimer

All compressor mounts should be installed by qualified and trained personnel using proper tools and equipment in safe working conditions following industry standard guidelines for motor vehicle service and repair.

The installer of any compressor mount purchased from TransArctic must undertake all responsibility of issues arising from that compressor bracket being installed on any vehicle. As well as insure that a **proper and sufficient ground** is established between the compressors' clutches and the vehicle's engine. Mount functionality, operation and durability can all be compromised by an incompetent installation.

Due to the many different situations, parameters and application criteria, which are beyond the compressor mount manufacturer's control, TransArctic does not warrant design, durability, or operational functionality of any compressor mount improperly installed by another party.

With no implied guarantees it is the mount installer's strict responsibility to determine safety and functionality, of the compressor mount, at the time of installation.

Please contact TransArctic with any issue arising from installation so we may better improve the product. If you have any reservations about the compressor mount integrity contact TransArctic immediately at 1-877-COLD-AIR.