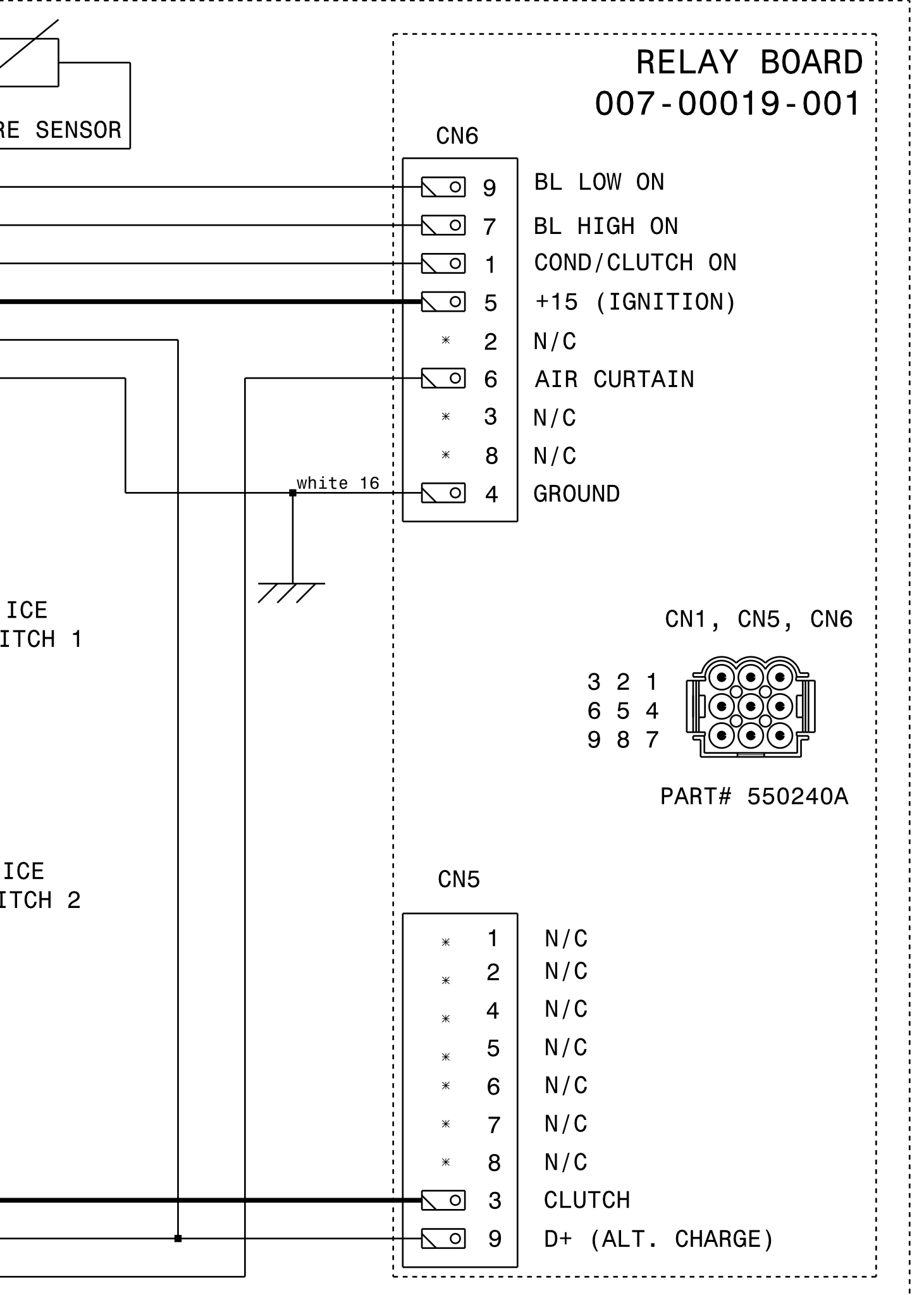
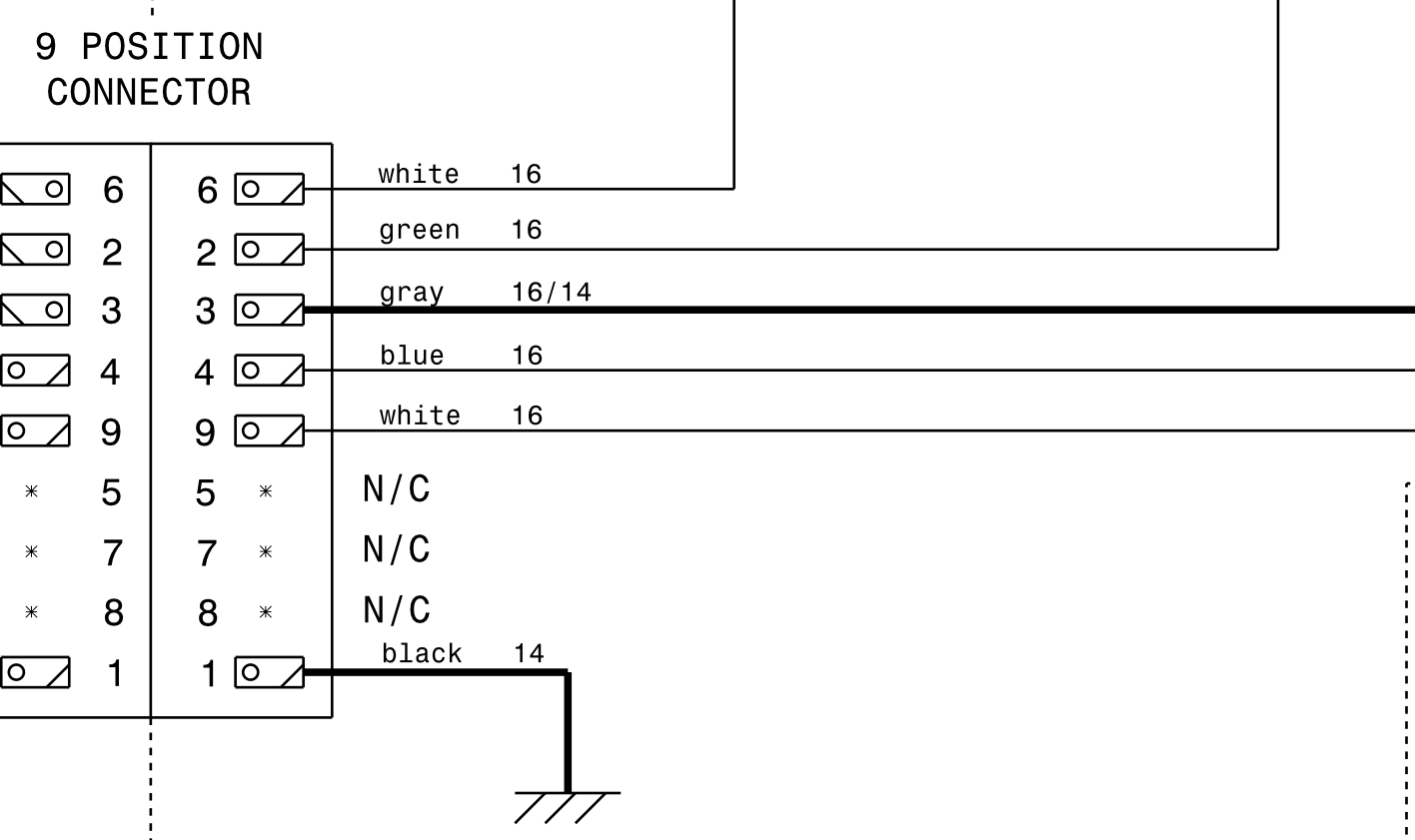
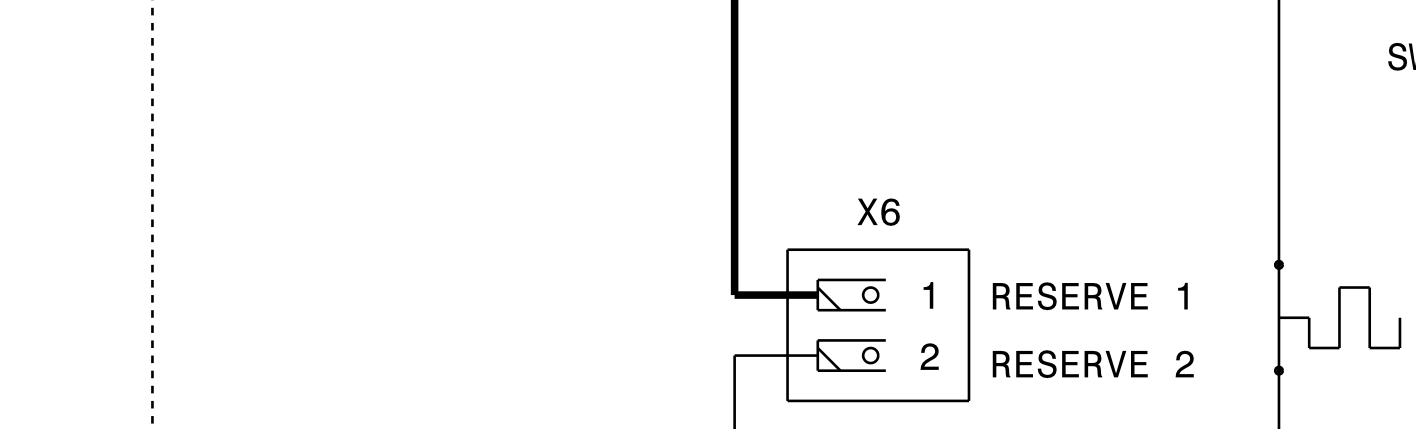
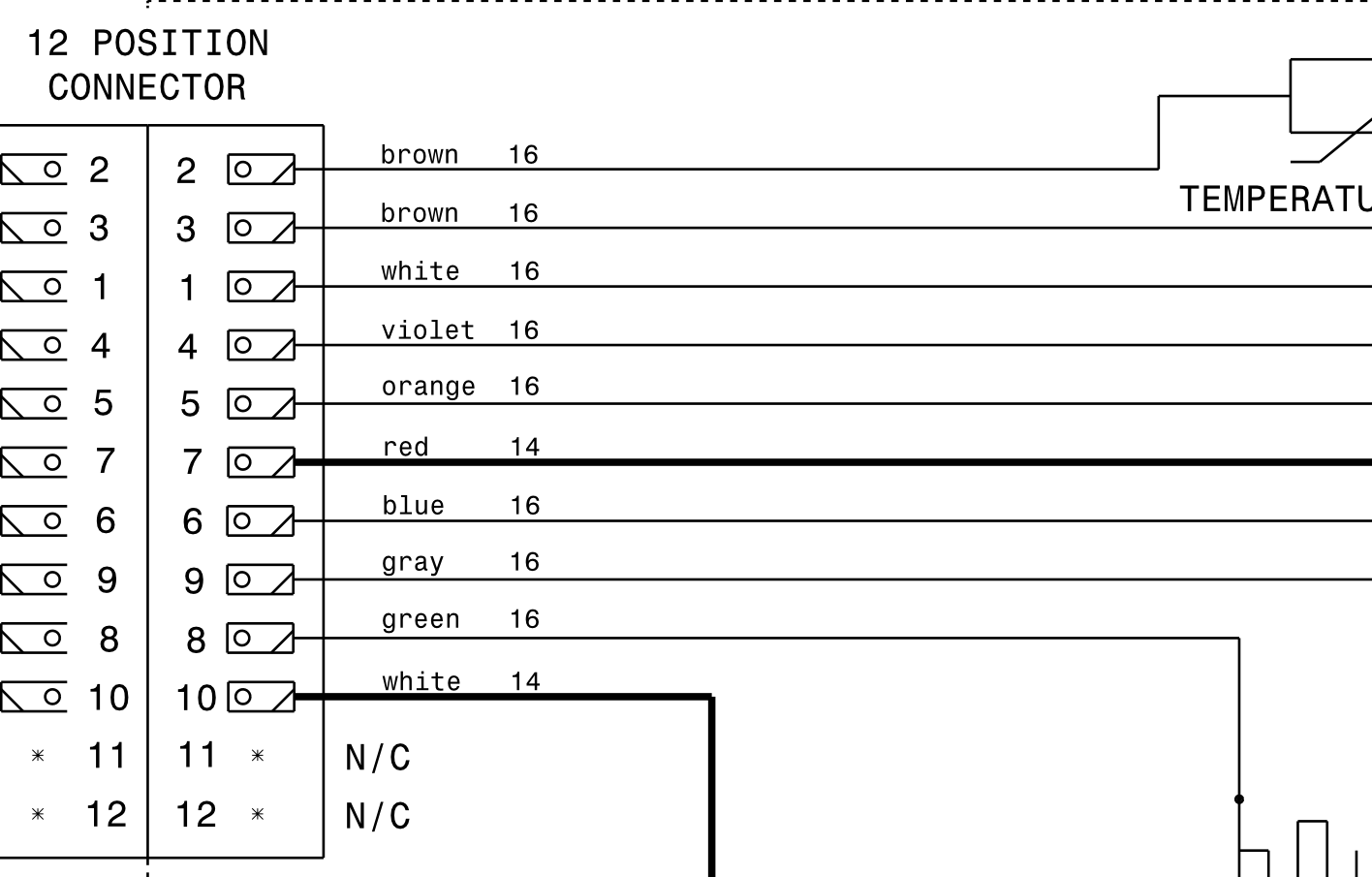
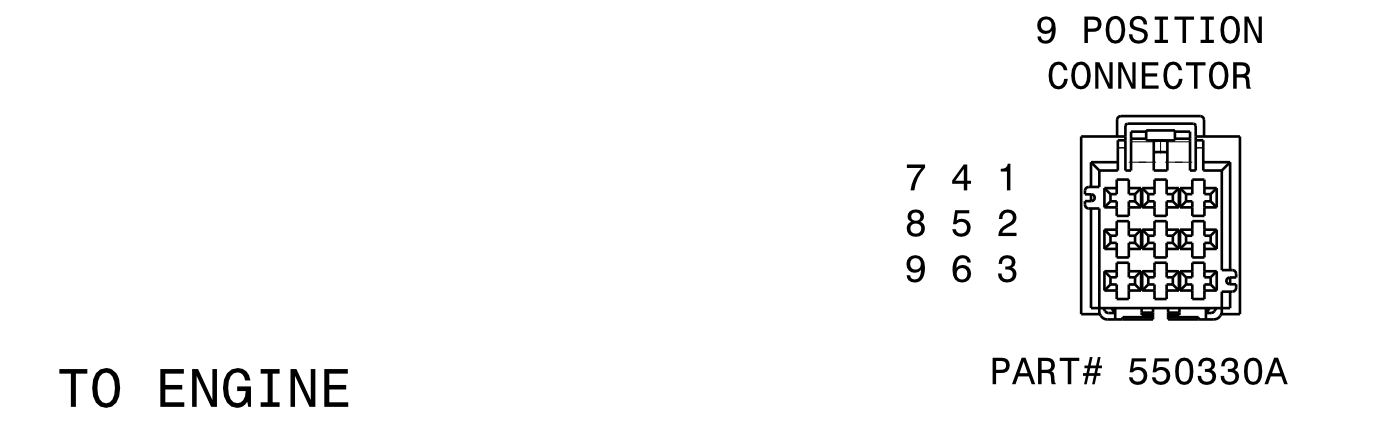
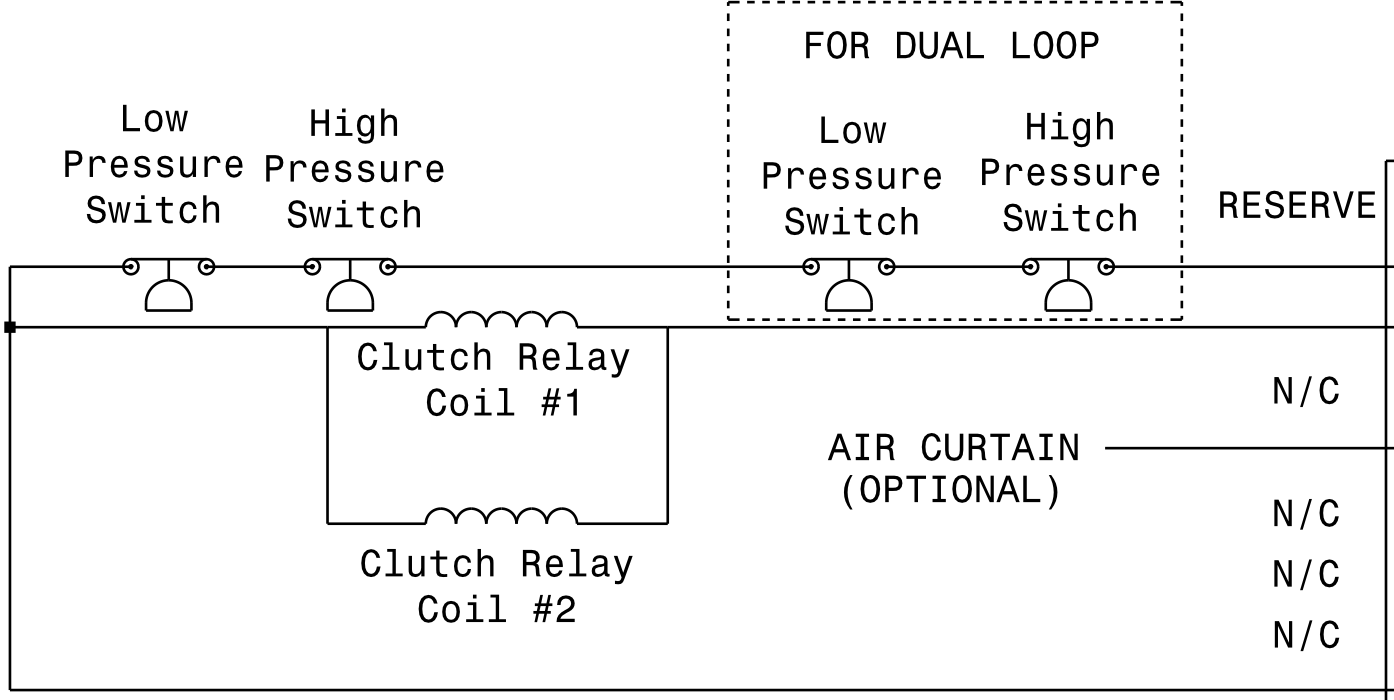
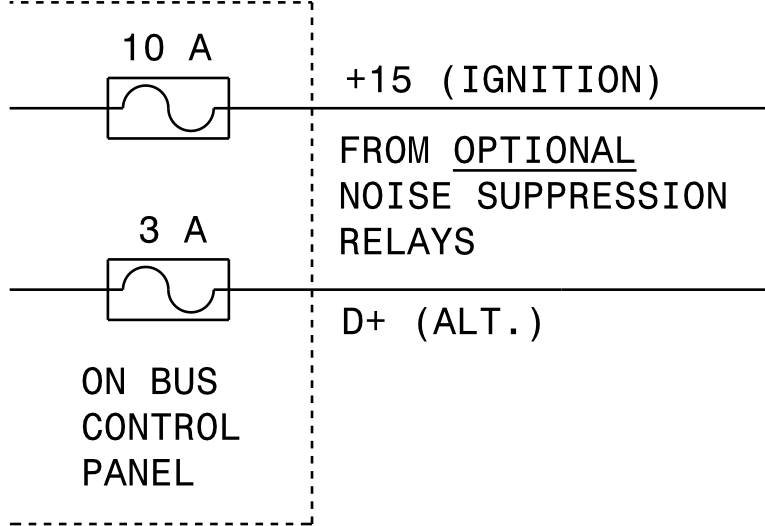
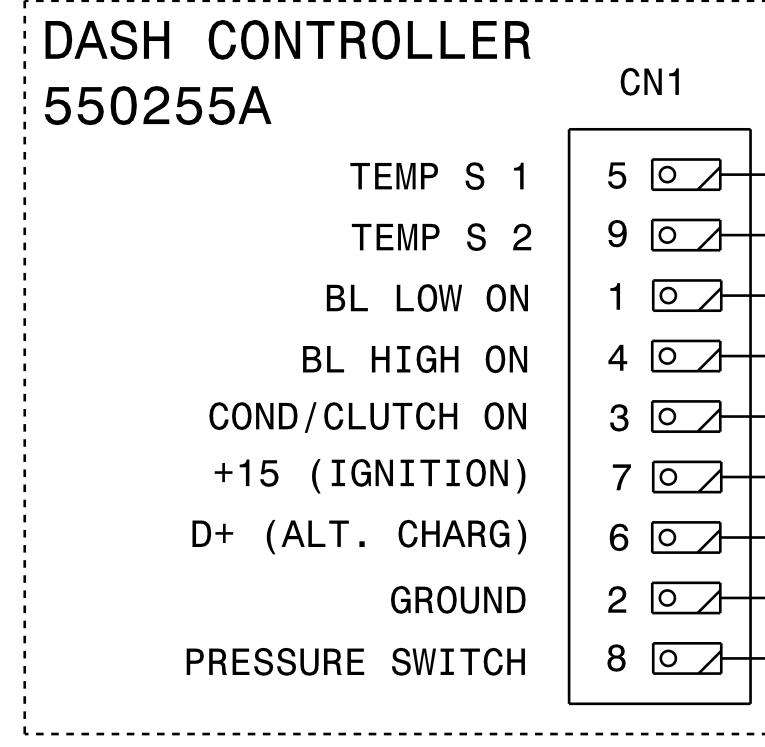


CL1	CL2	QTY	NUMBER	CHANGE	DD.MM.YY	DRAW	CHECK



REF./POS. DIM		INFORMATION DIM		NOT SCALED DIM	
PERMISSIBLE DEVIATION FOR DIM WITHOUT TOLERANCES			VOLTAGE	WEIGHT	CAD SYSTEM
ANSI			CATIA V5R19		
MATERIAL					
SURFACE PROTECTION					
PART NAME					
CC335 SL/DL 12V W/GLOBUS SL RELAY BOARD					
DATE	17/01/13	17/01/13	SCALE	DOC NO.	PART NO.
NAME	JOEYL	JIMW	FREE		
DRAW	CHECK	APP		STATUS	
SPHEROS			SIZE	ISO A2	
REPLACED BY PART-NO.			REPLACEMENT FOR PART-NO.		
PAGE			1 / 1		

ROOF TOP UNIT

20000001A